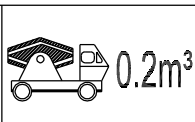
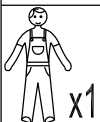
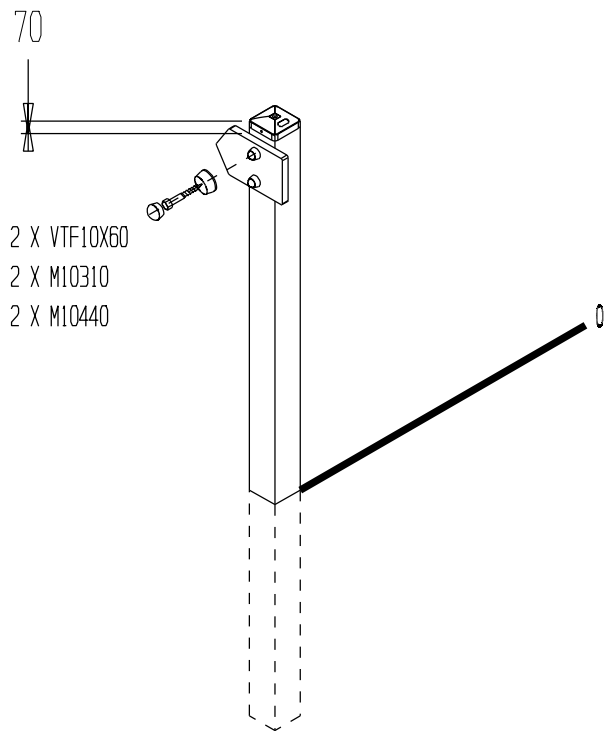


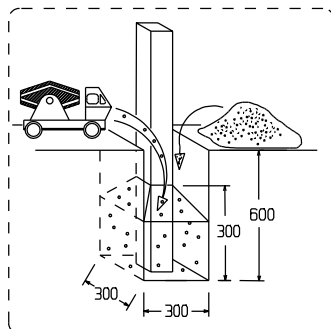
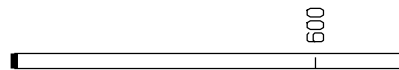
Implantation
Footing plan
Implantación
Fundamentplan



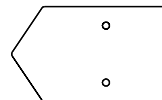


2 X VTF10X60
 2 X M10310
 2 X M10440

A310 X 1
 lg 1800



ET4143 x 1



	VTF 10x60	2
	M10310	2
	M10440	2