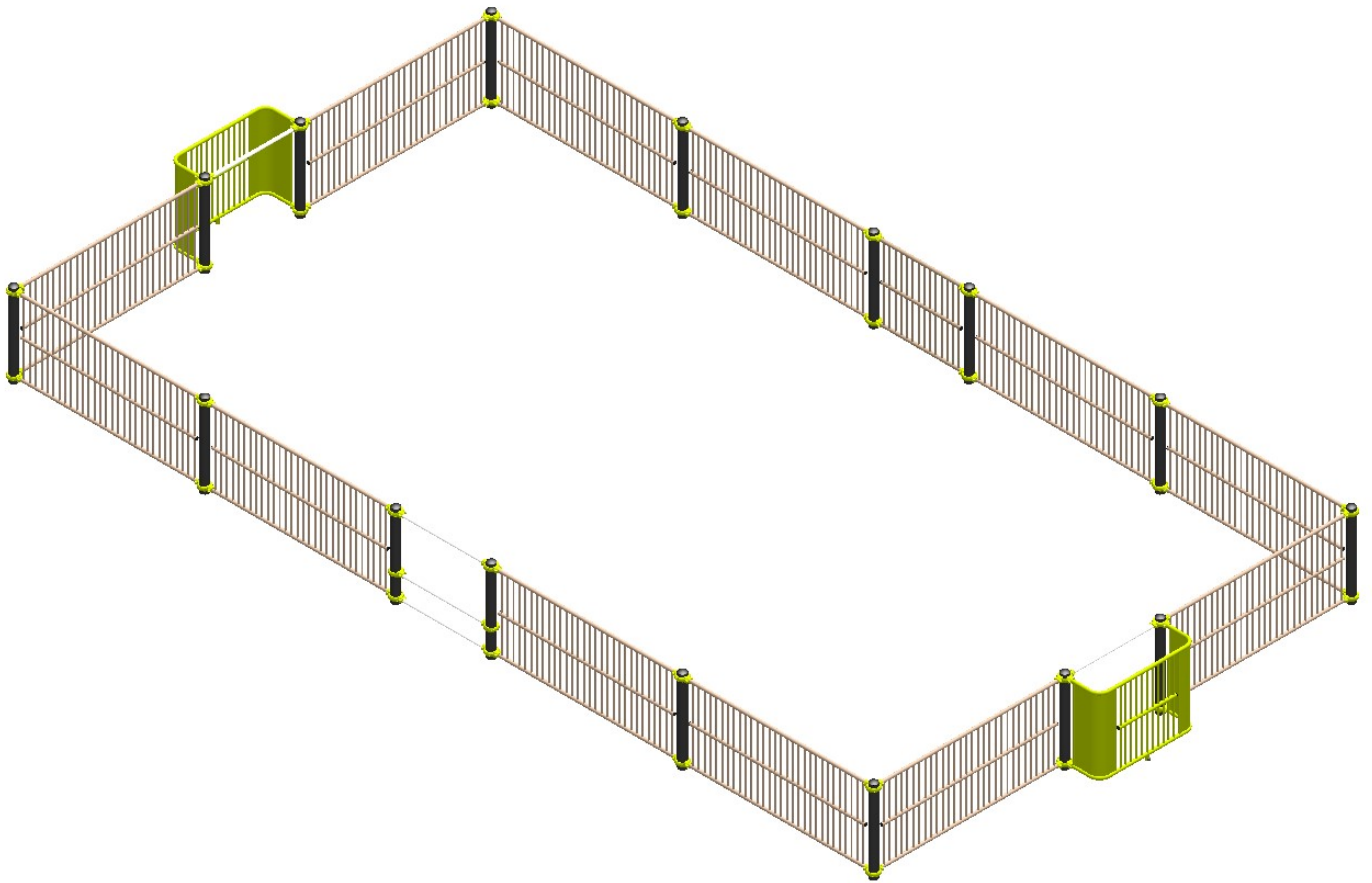


J22221A

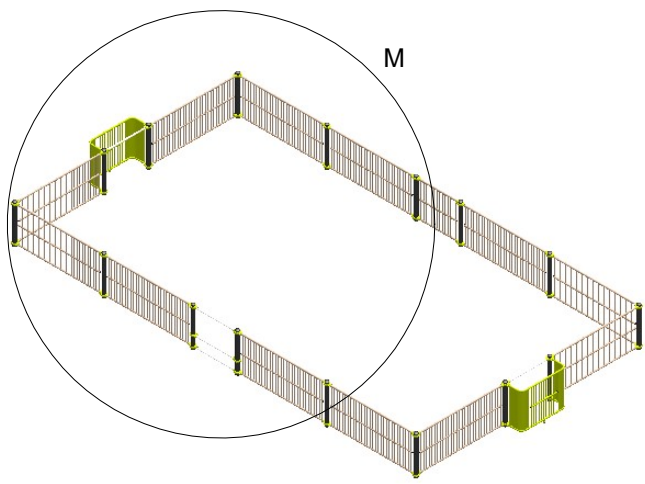
ProLudic



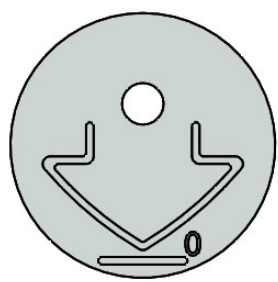
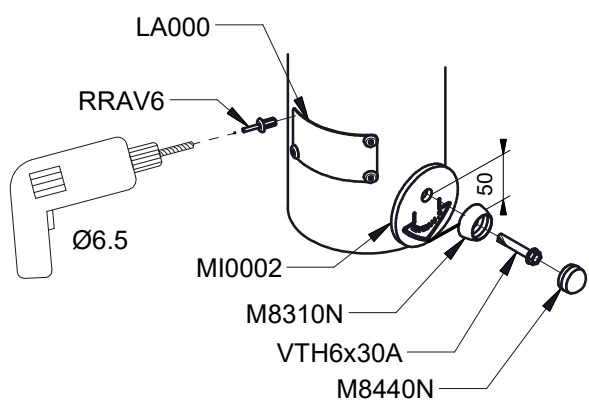
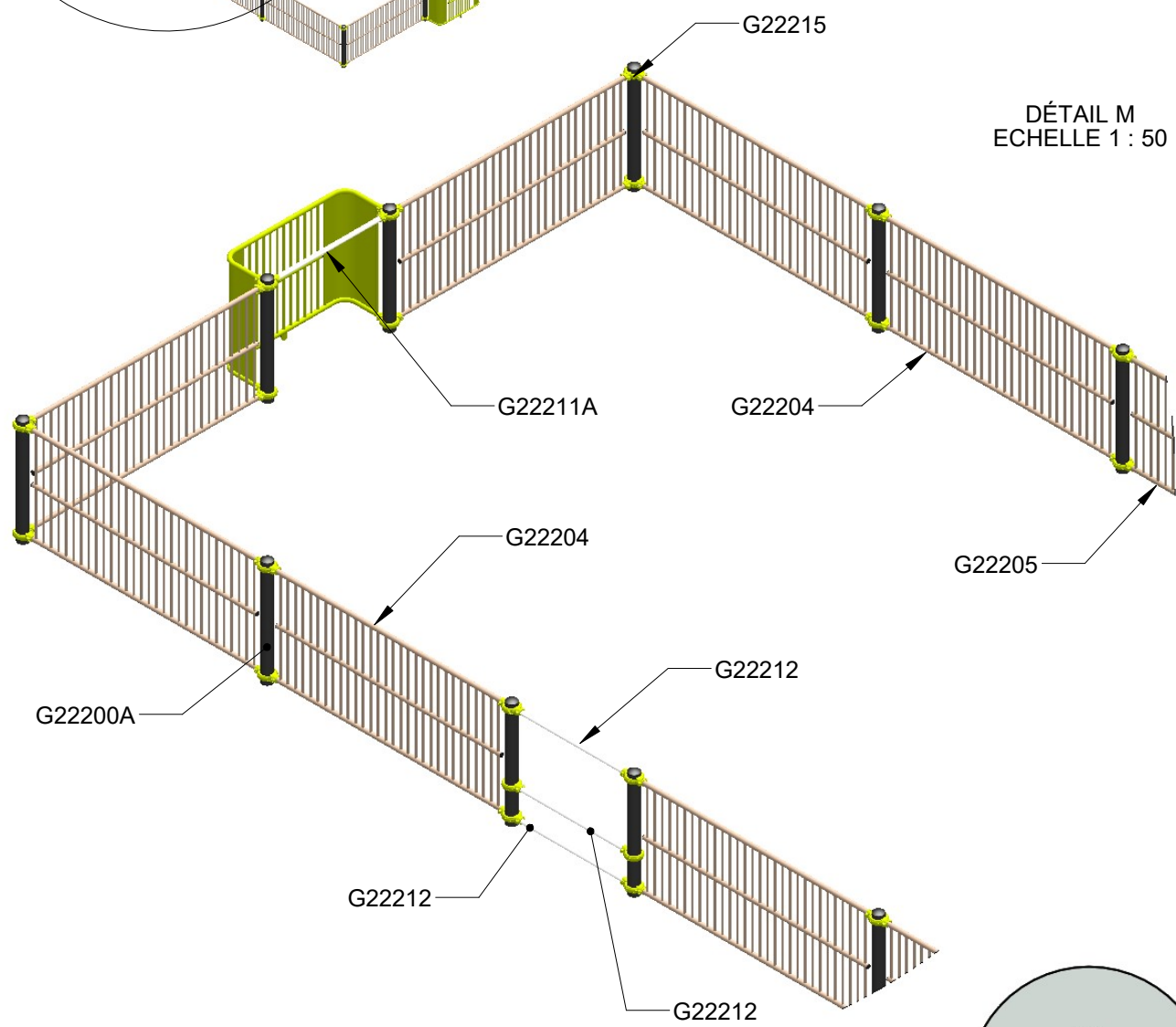
EN15312 MULTISPORT

01/04/2020

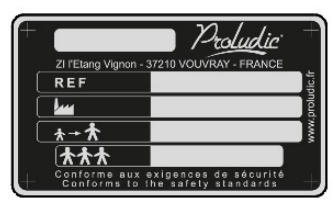
| Réf | Qté |
|---------|-----|
| G22200A | 16 |
| G22204 | 12 |
| G22205 | 1 |
| G22211A | 2 |
| G22212 | 3 |
| G22215 | 34 |



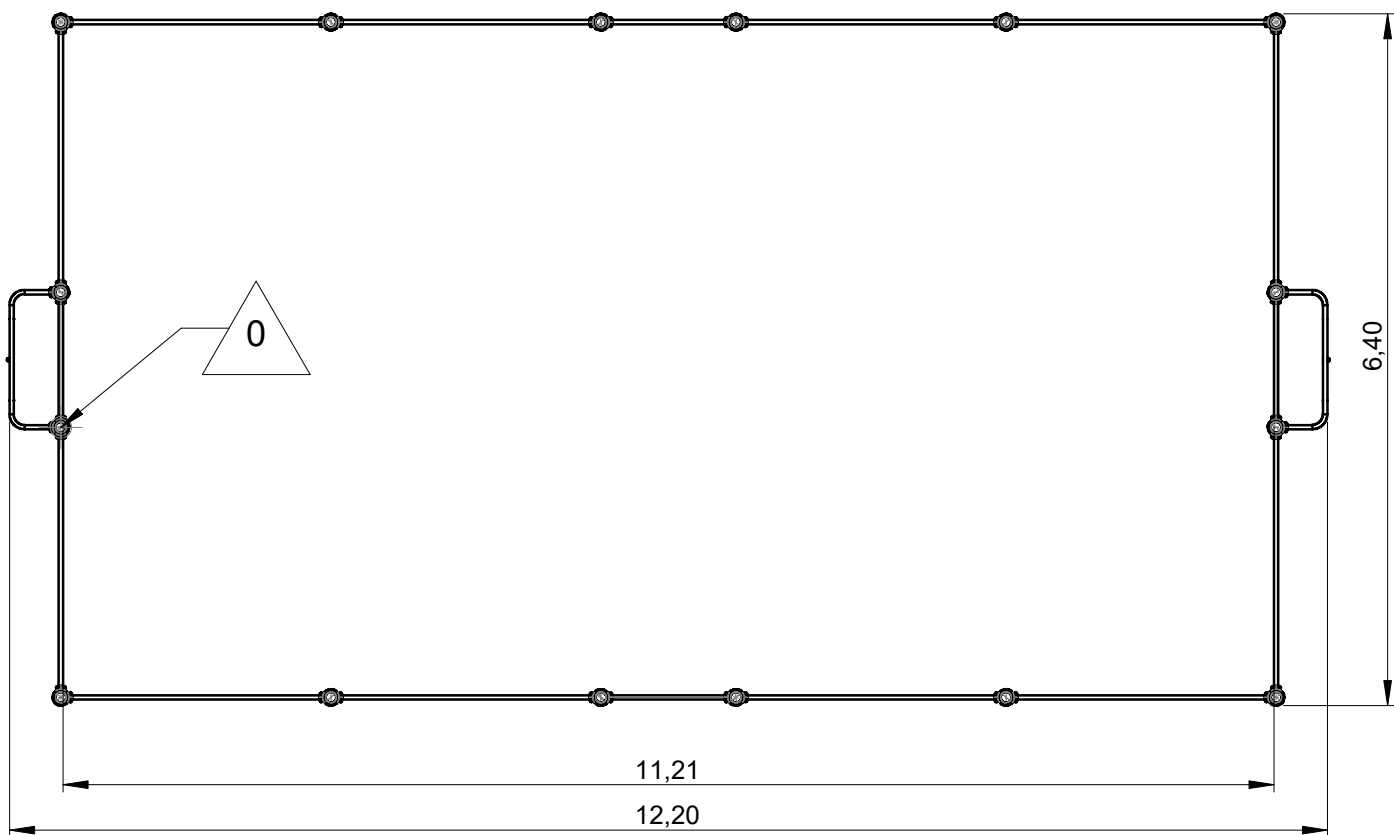
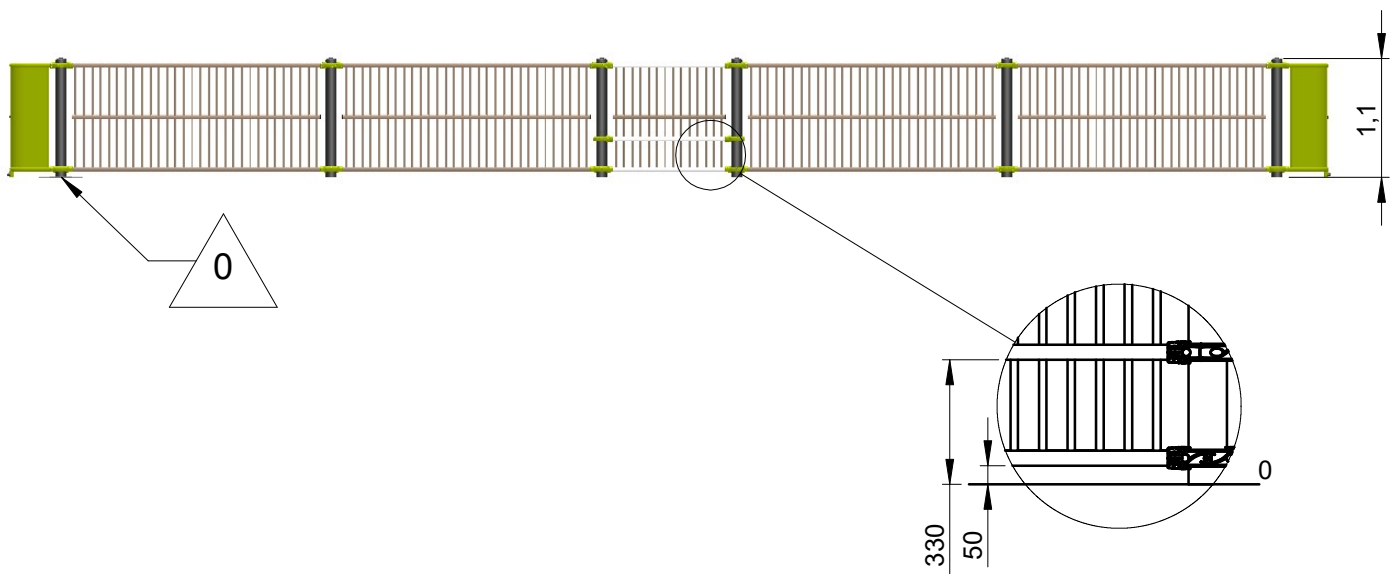
DÉTAIL M
ECHELLE 1 : 50

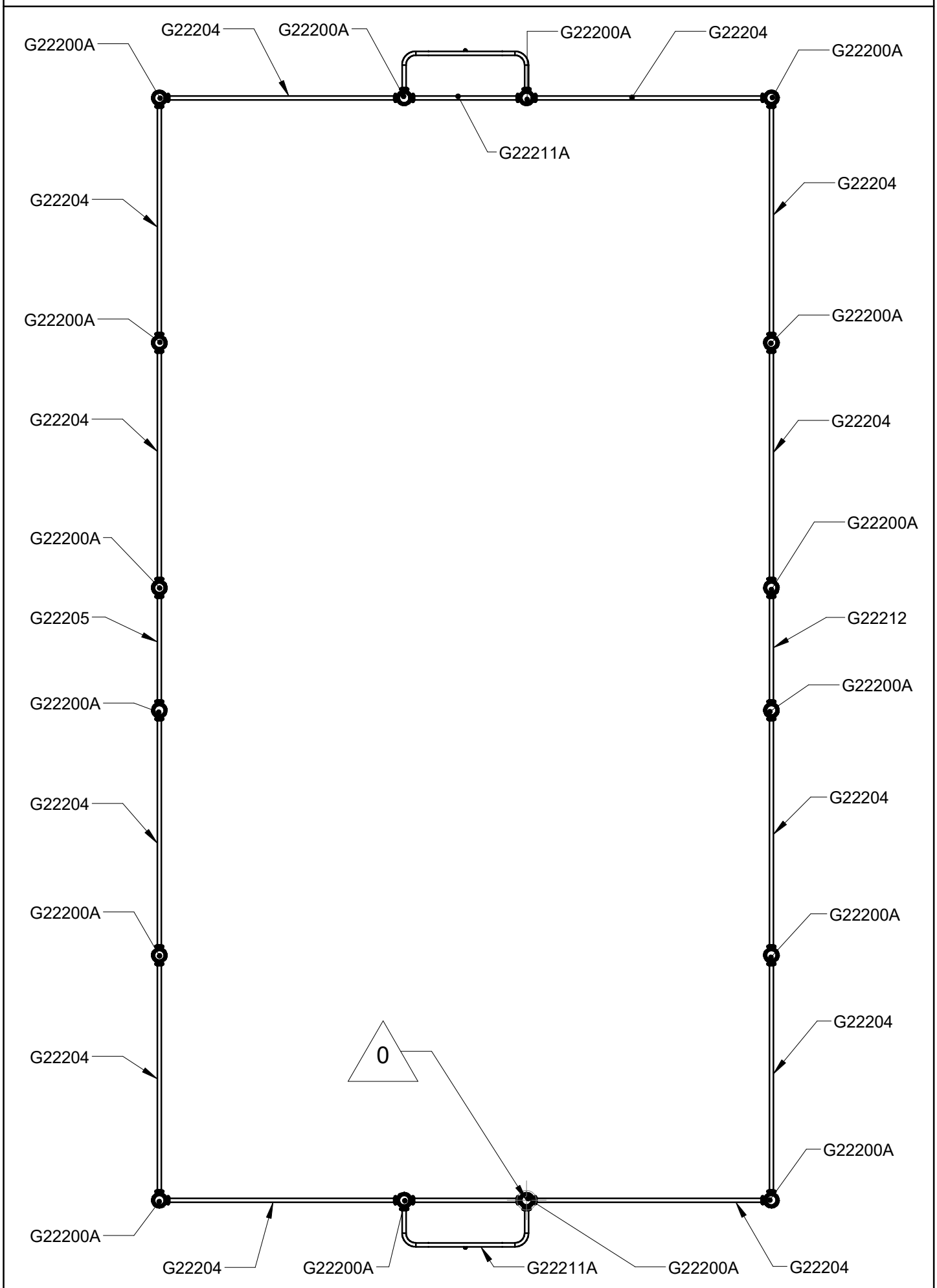


MI0002

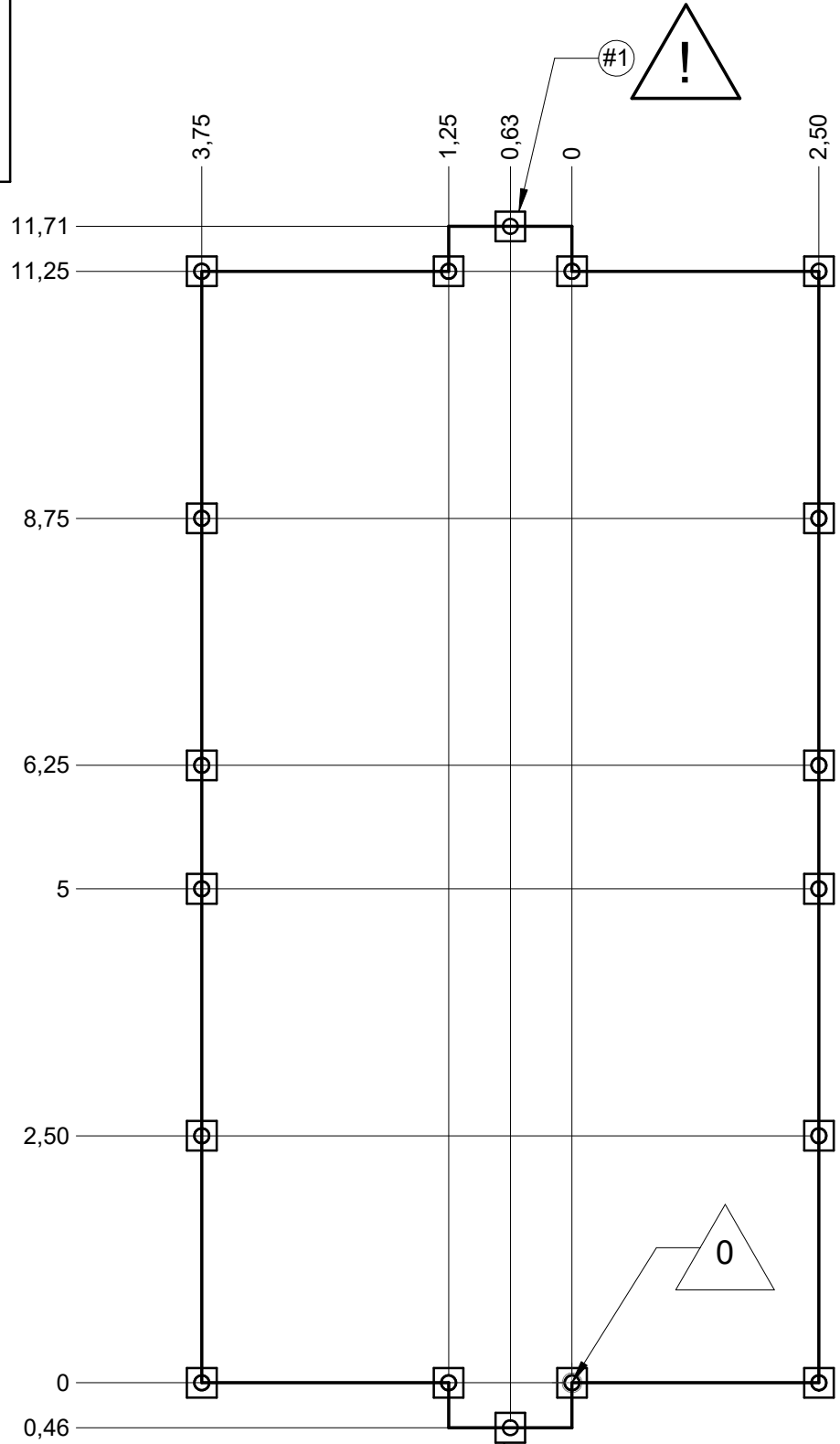
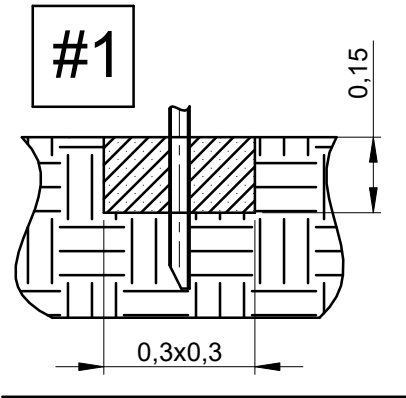



LA000






Implantation
 Footing plan
 Implantación
 Fundamentplan
 Funderingstekening






x2



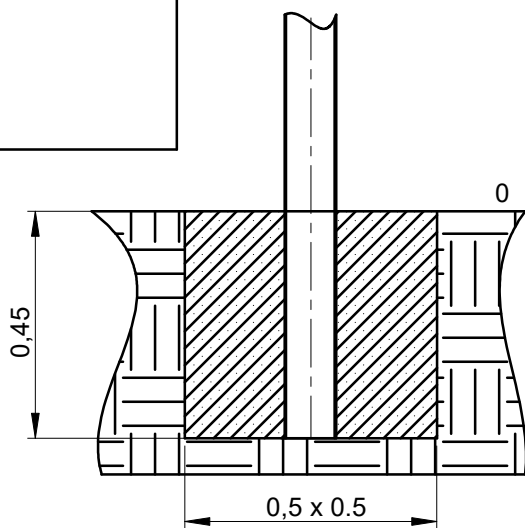
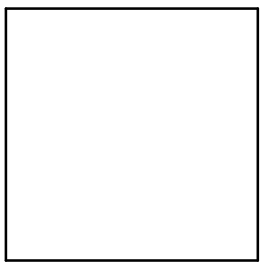
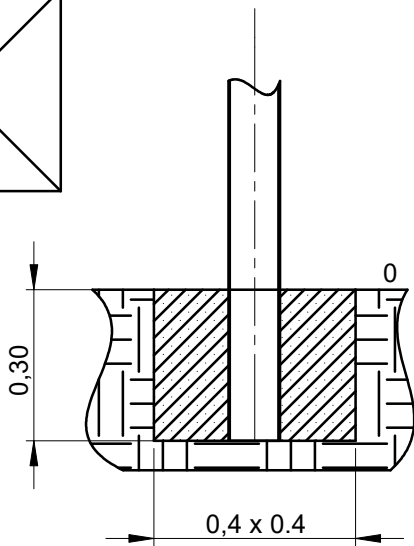
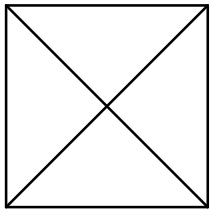
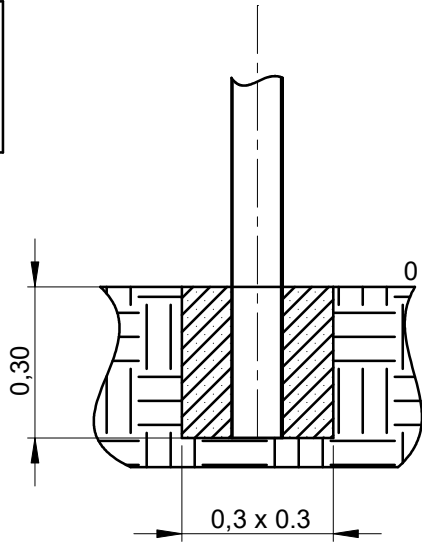
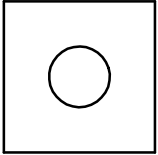
10H



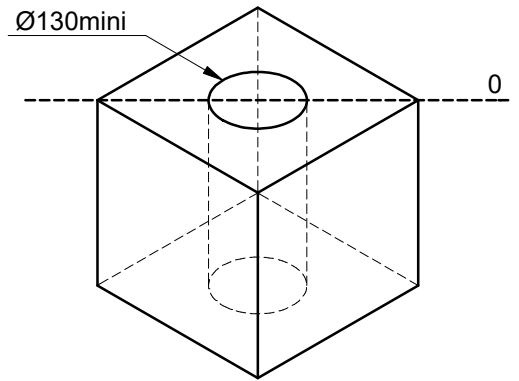
0.5 m³



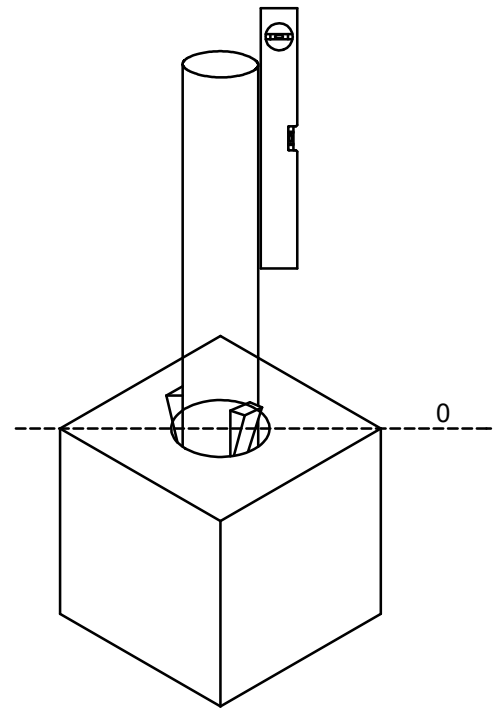
| | x | y | z | w |
|---|-----|-----|------|------|
| ⊗ | 0.3 | 0.3 | 0.3 | 0.3 |
| ⊗ | 0.4 | 0.4 | 0.3 | 0.3 |
| □ | 0.5 | 0.5 | 0.45 | 0.45 |



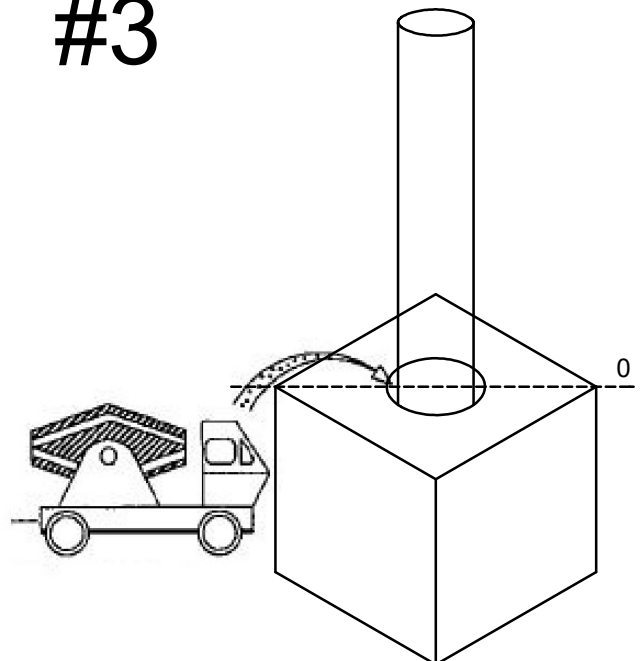
#1

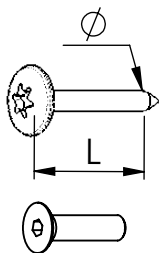


#2



#3





VBT 6 x 30
 \varnothing \uparrow L (mm)

VFHC



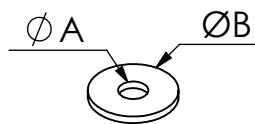
VEC M10
 \varnothing



VEF



VEB

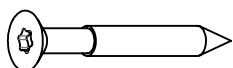


VR6x18
 $\varnothing A$ $\varnothing B$

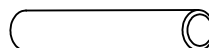
1000 - 1800 tr/min
 Vitesse de rotation
 Rotation speed

14 N.m
 Couple de rupture
 Torque of break

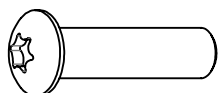
VTHA



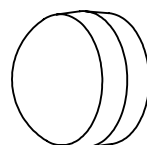
VWT



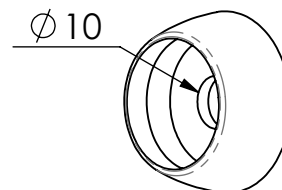
VGC



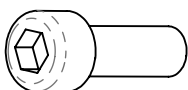
VCBHC



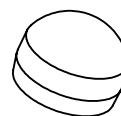
M10 440N



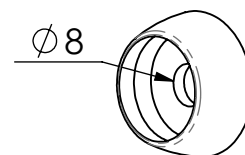
M10 310 N



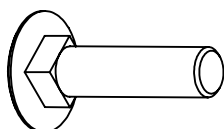
VBTR



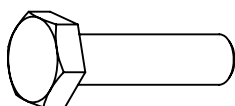
M8 440N



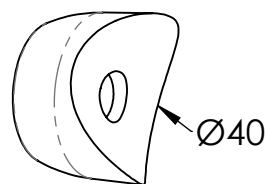
M8 310N



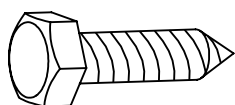
VTRCC



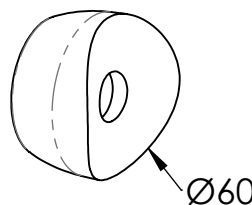
VTH



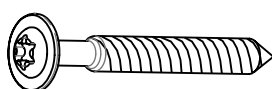
MI2503



VTF

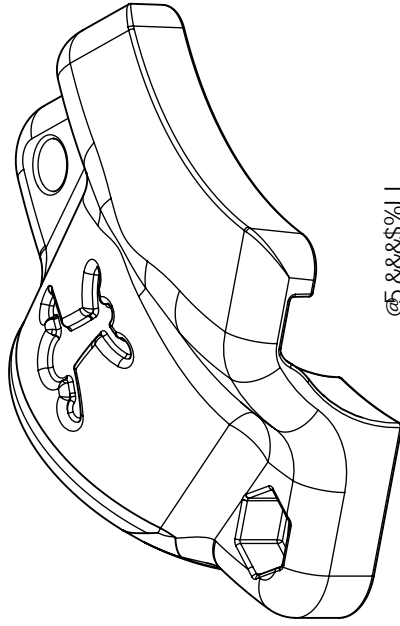
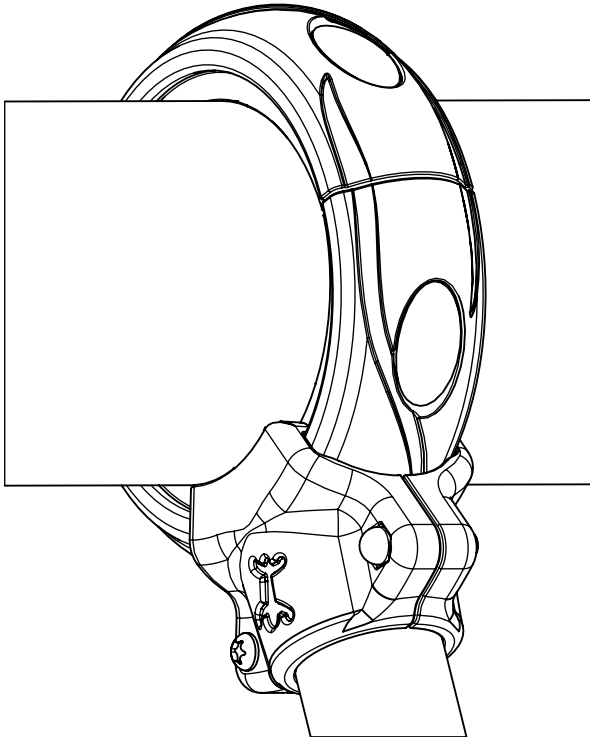


MI2701

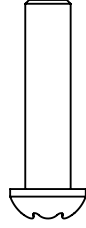
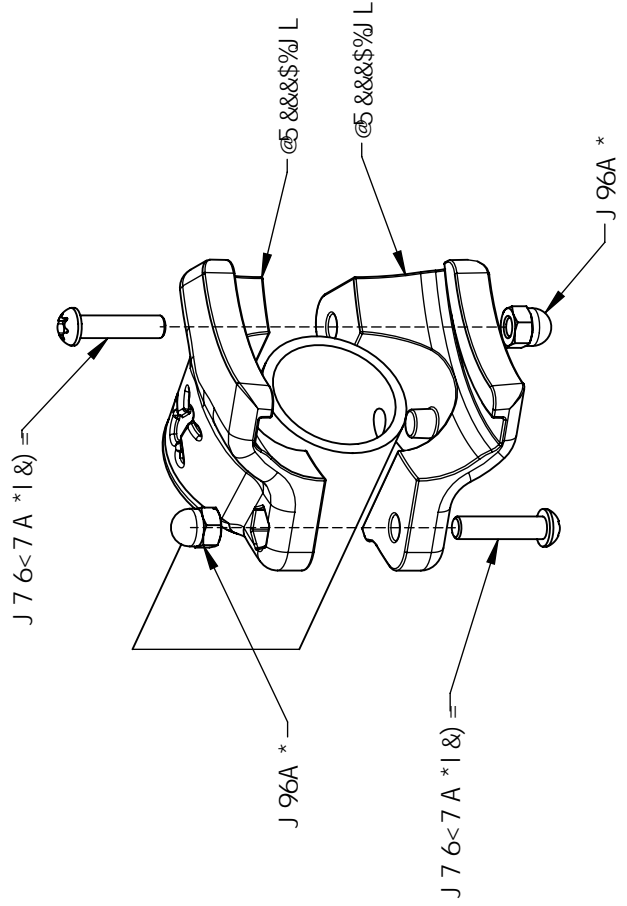


VBT

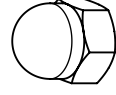
| | |
|-----------------------|------|
| FfZ | E hf |
| ∅ 5 5 5 5 % L | & |
| J 7 6 < 7 A * &) = | & |
| J 96A * | & |



∅ 5 5 5 5 % L



J 7 6 < 7 A * | &) =



J 96A *

| FfZ | E hf |
|---------------|------|
| @5 &&&&\$J L | & |
| A -&) \$, J L | (|
| J 6HF, L() | & |
| J 9: A, | & |



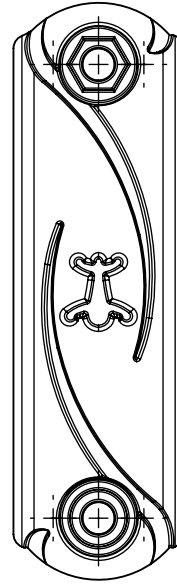
J 6HF, L()



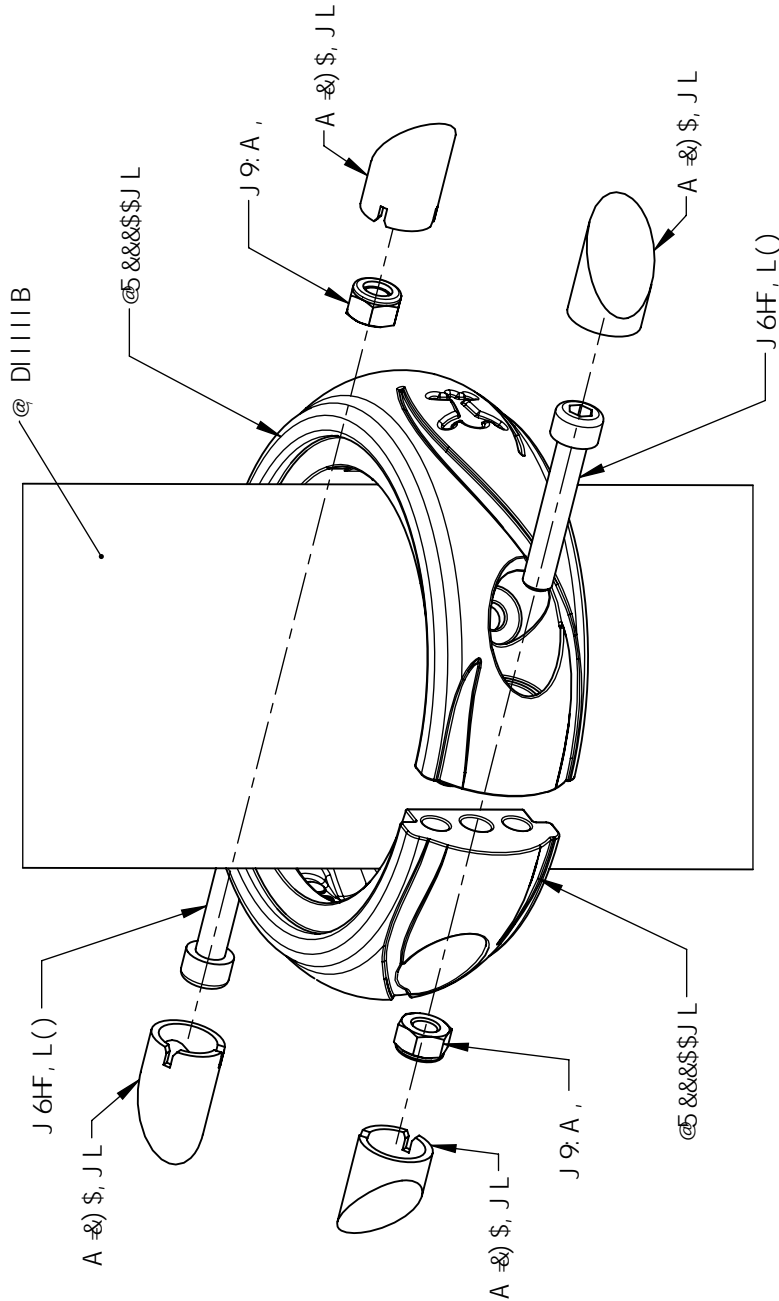
A -&) \$, J L

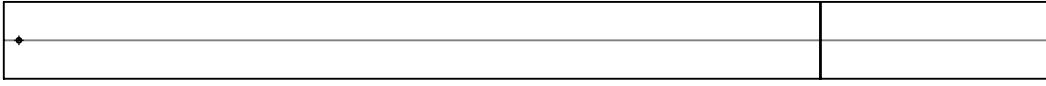
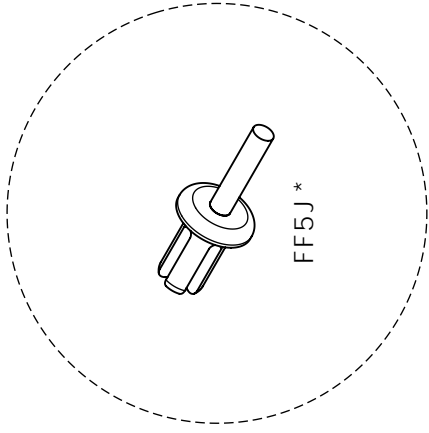
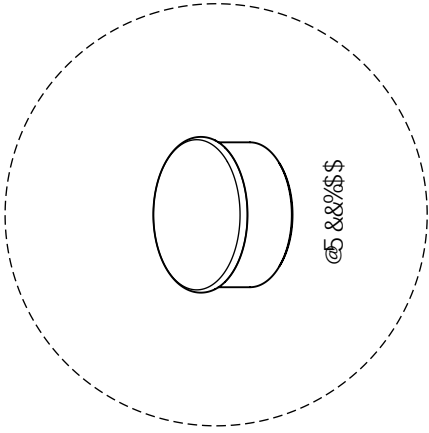
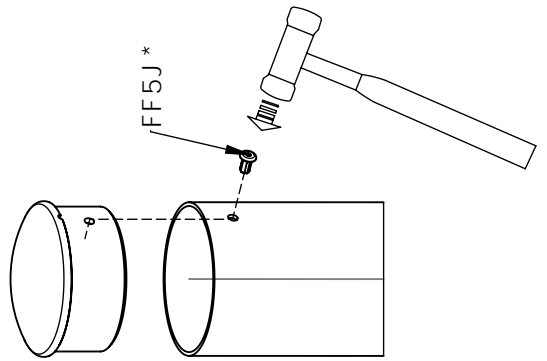
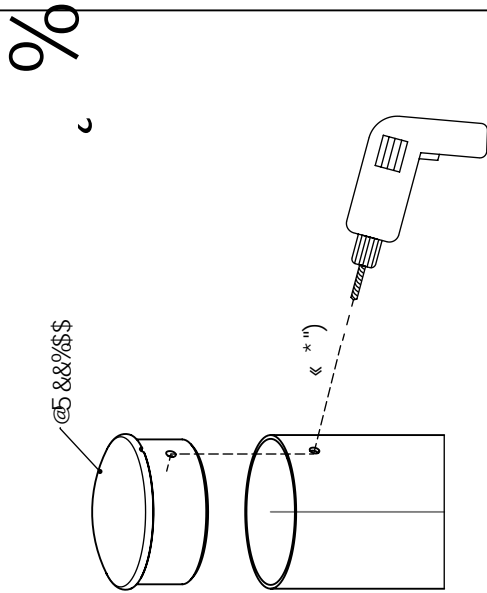
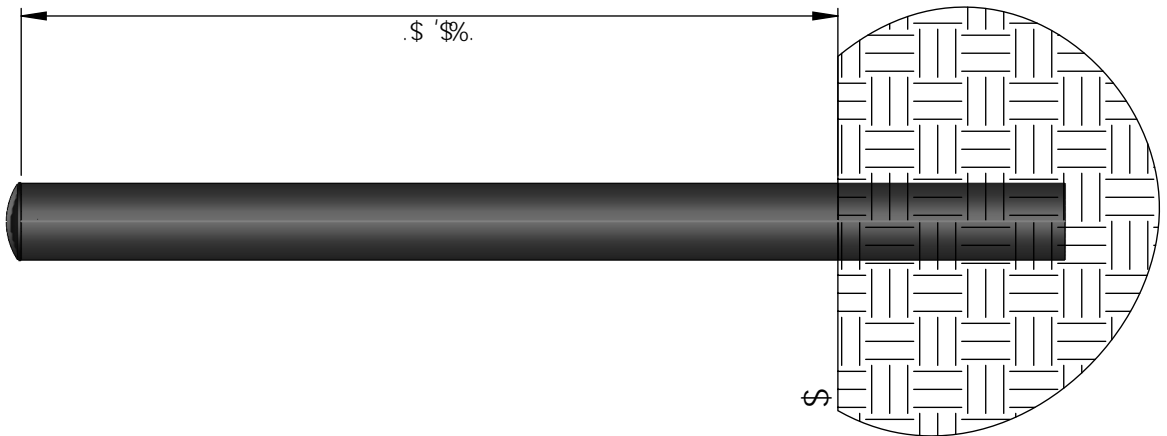


J 9: A,



@5 &&&&\$J L





@ D&&\$(B

| | |
|-----------|------|
| FfZ | E hf |
| @&&\$\$ | % |
| @ D&&\$(B | % |
| FF5J * | % |

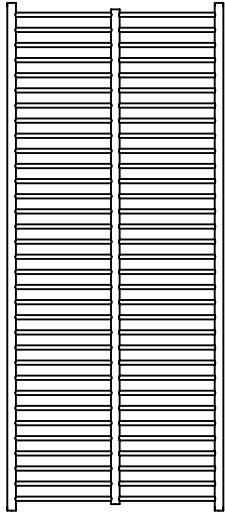
| FzZ | E hf |
|--------------|------|
| 69 | % |
| A (& | & |
| 69 L | , |
| J 76<7A * &) | , |
| J 96A * | , |



A (&

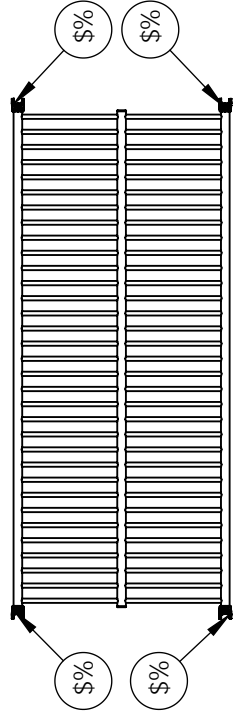
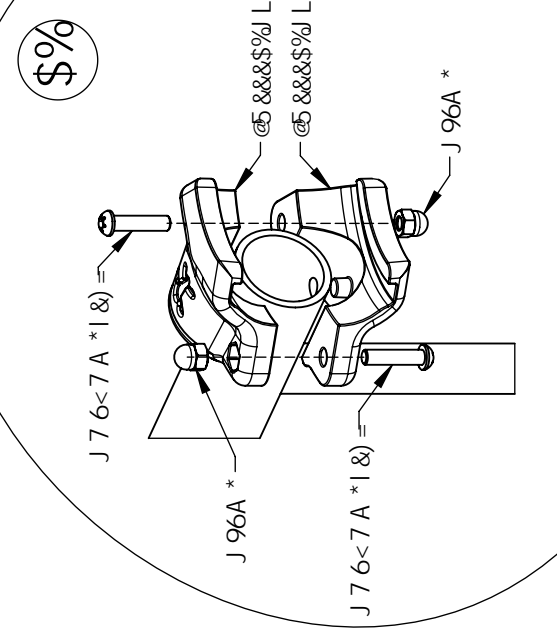
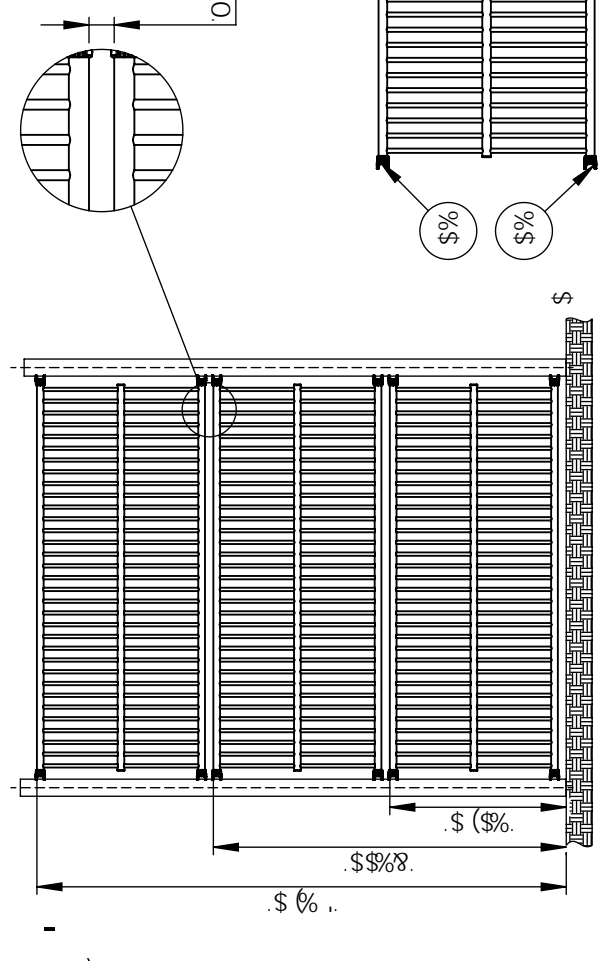
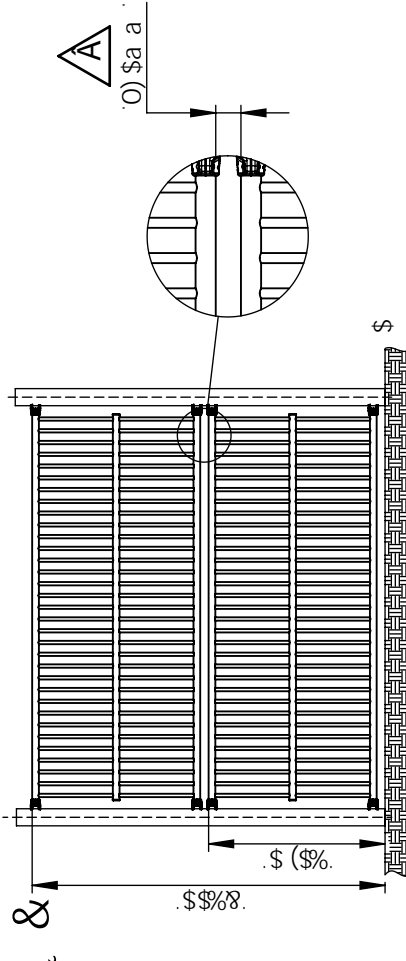
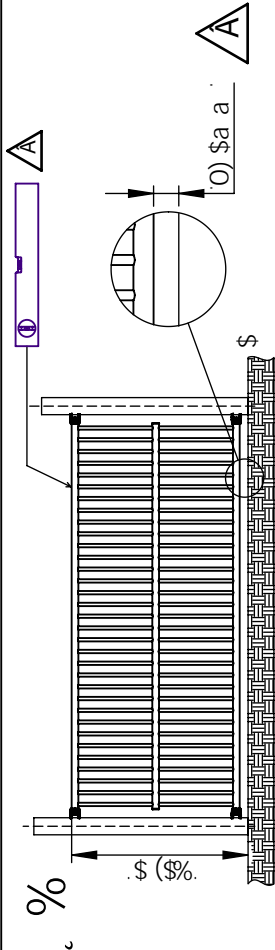
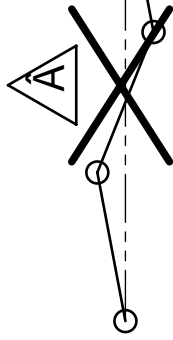


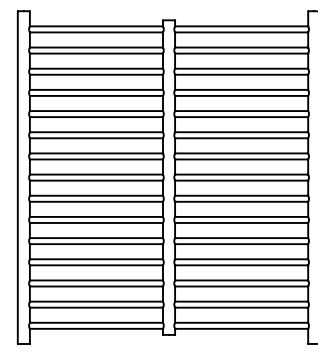
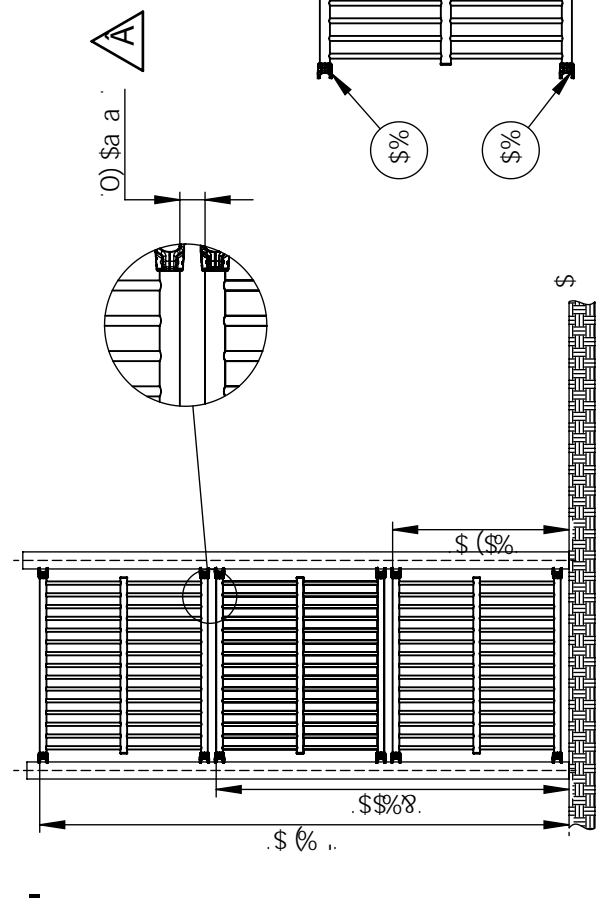
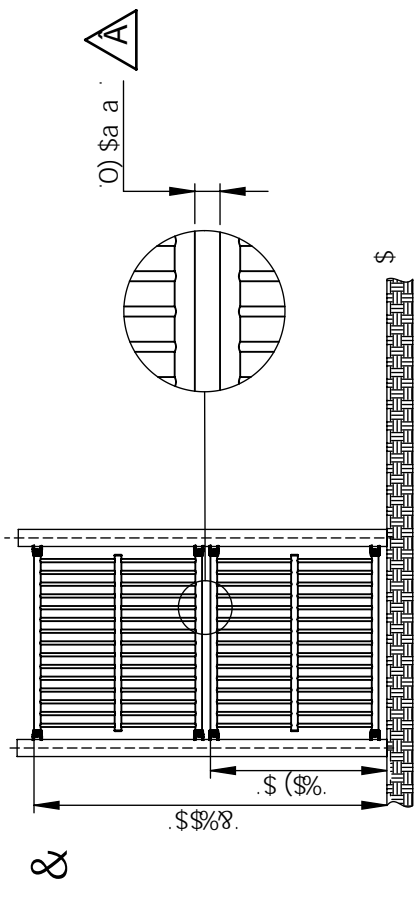
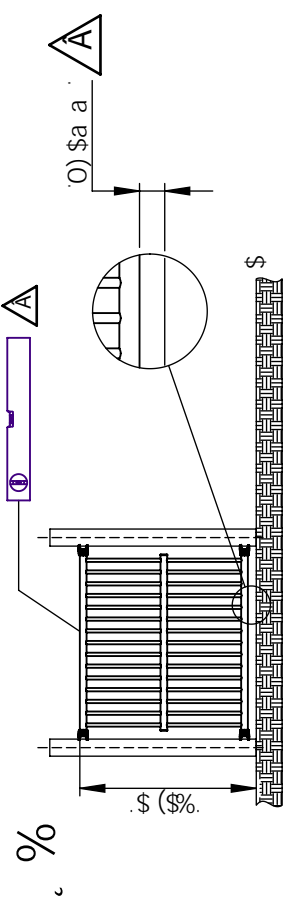
69 L



69

% ? [

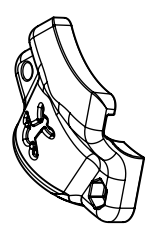




69

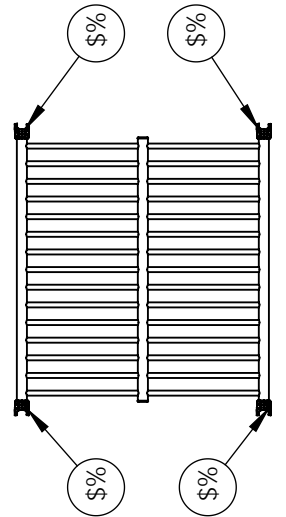
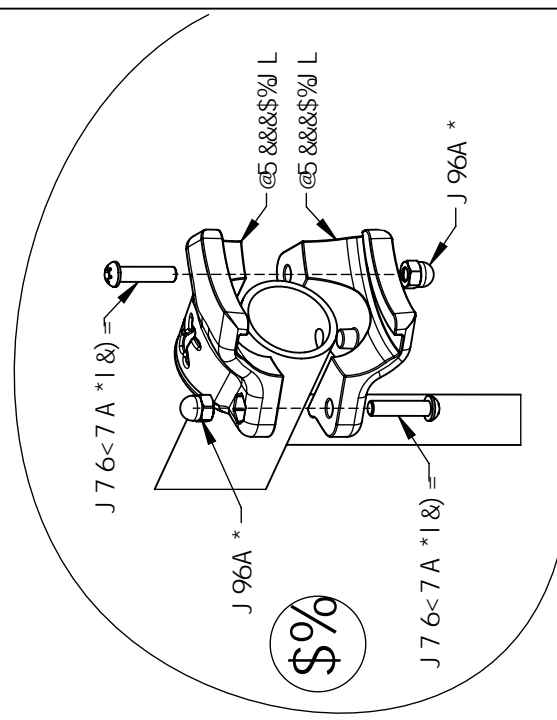
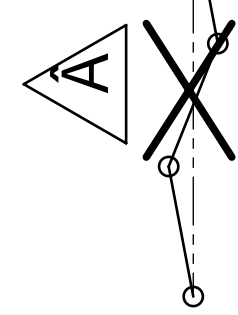


A (&

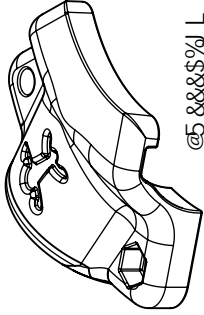


69

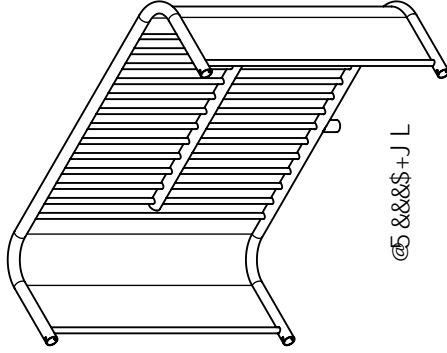
| FfZ | E hf |
|-----------------------|------|
| 69 | % |
| A (& | & |
| 69 | , |
| J 7 6 < 7 A * &) = | , |
| J 96A * | , |



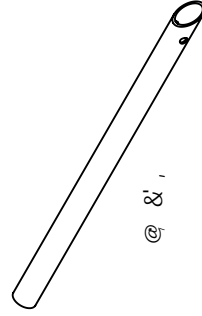
| FzZ | E hf |
|-----------------------|------|
| @5 &&&\$%L | %& |
| @5 &&&\$+J L | % |
| @ & , | % |
| @&&&\$% | % |
| A (& | & |
| A %\$((\$B | % |
| A &) \$' B | % |
| J 7 6 < 7 A * &) = | %& |
| J 96A * | %& |
| J F, % | % |
| J H * ' \$5 | , |



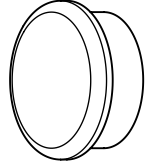
@5 &&&\$%L



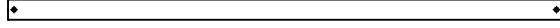
@5 &&&\$+J L



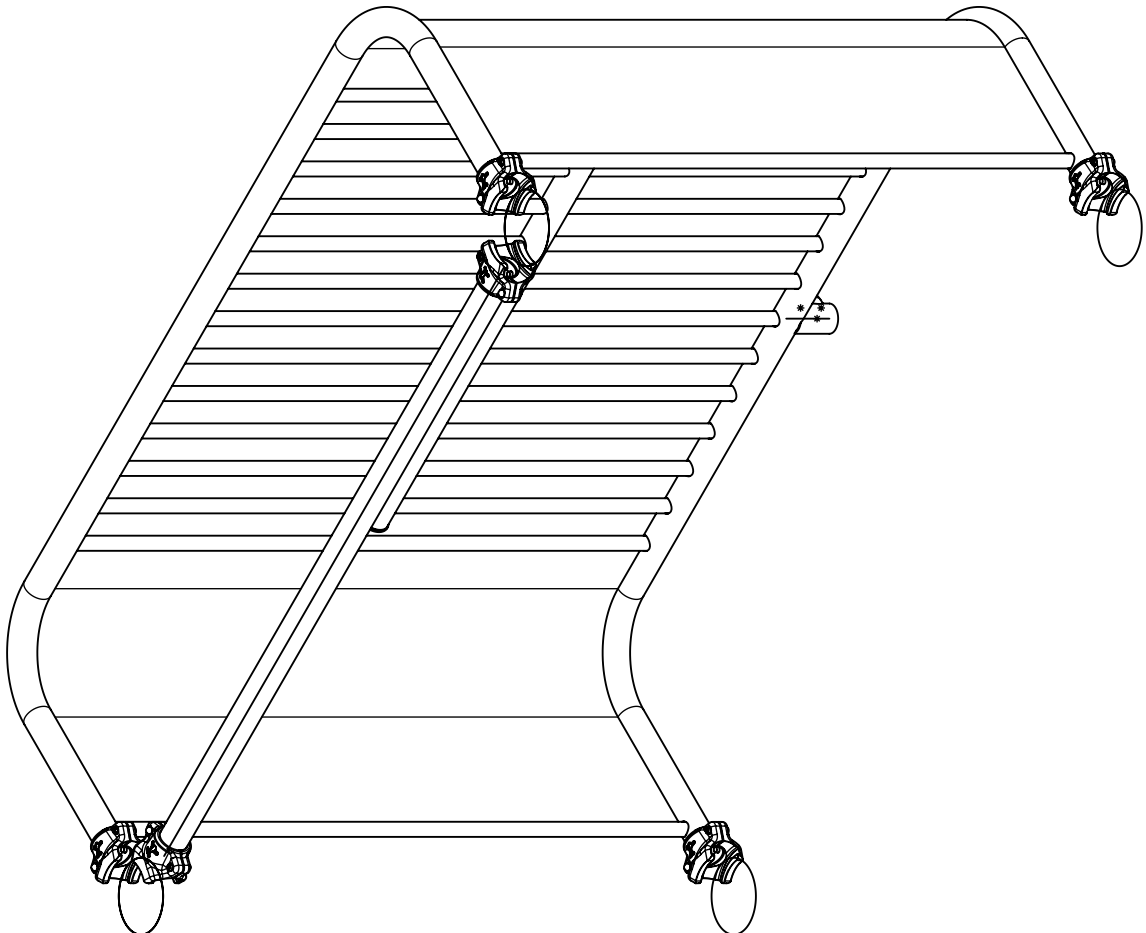
@ & ,



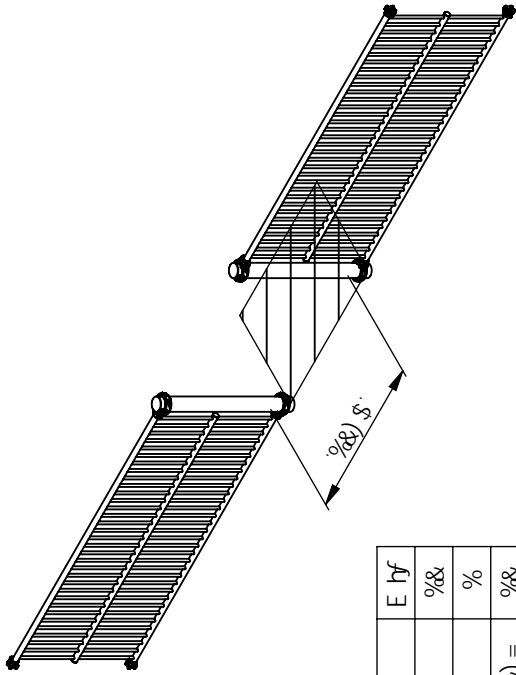
A (&



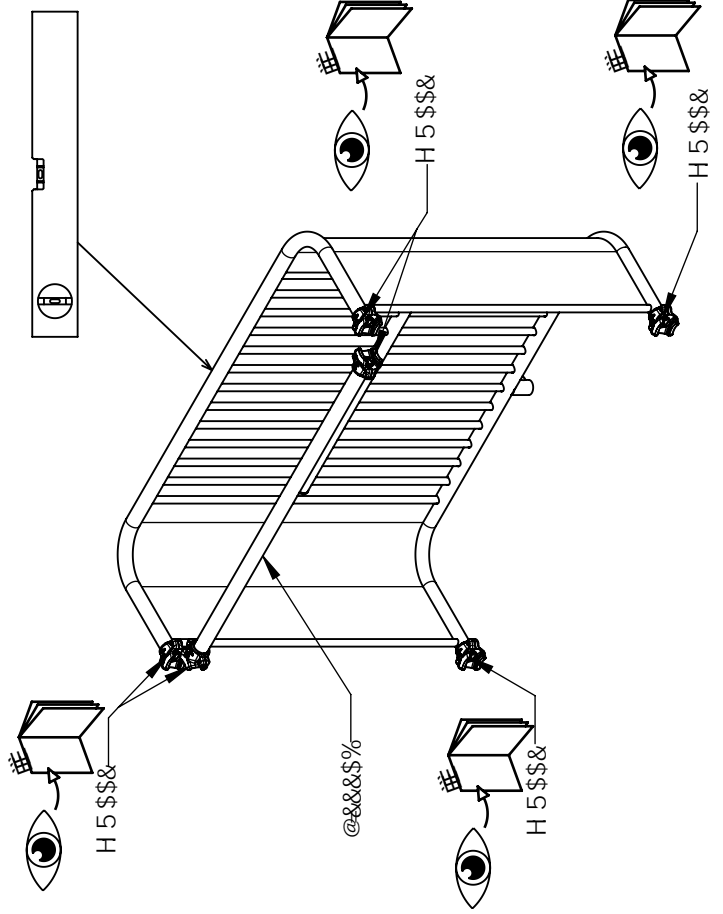
@&&&\$%



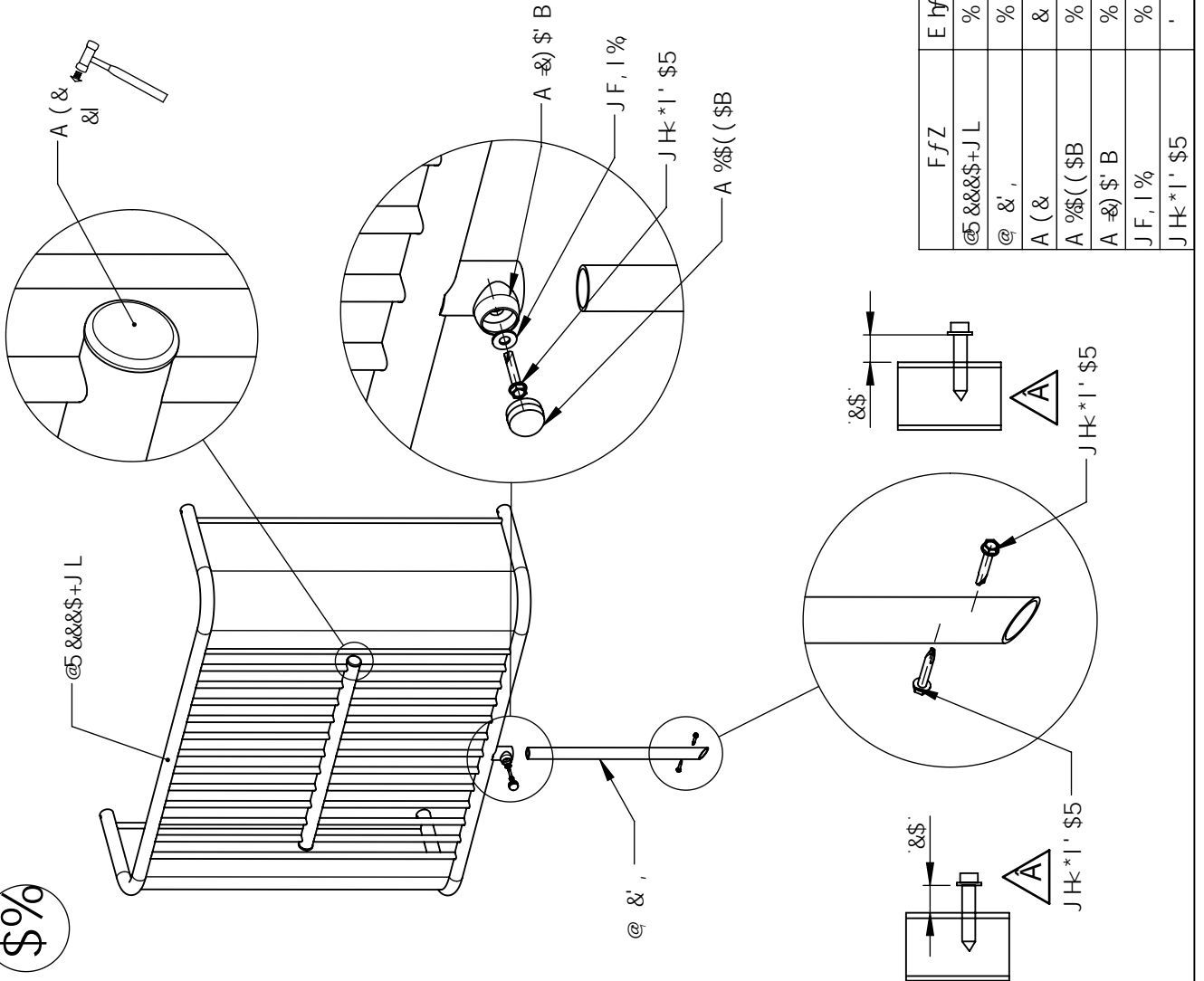
\$&



| FfZ | E hf |
|-----------------------|------|
| @5 &&&\$% L | %& |
| @&&&\$% | % |
| J 7 6 < 7 A * 1 &) = | %& |
| J 96A * | %& |

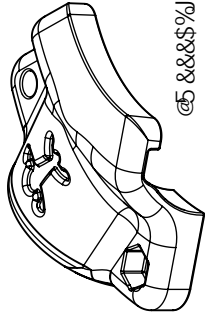


%

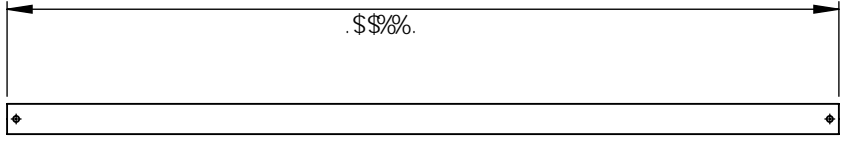


| FfZ | E hf |
|----------------|------|
| @5 &&&\$+J L | % |
| @ & ', | % |
| A (&) | & |
| A %\$ ((\$ B | % |
| A &) \$' B | % |
| J F, I % | % |
| J H * 1 ' \$ 5 | , |

| Fz | E hf |
|-----------------------|------|
| 5 888\$%L | (|
| 8888\$% | % |
| J 7 6 < 7 A * &) = | (|
| J 96A * | (|



5 888\$%L



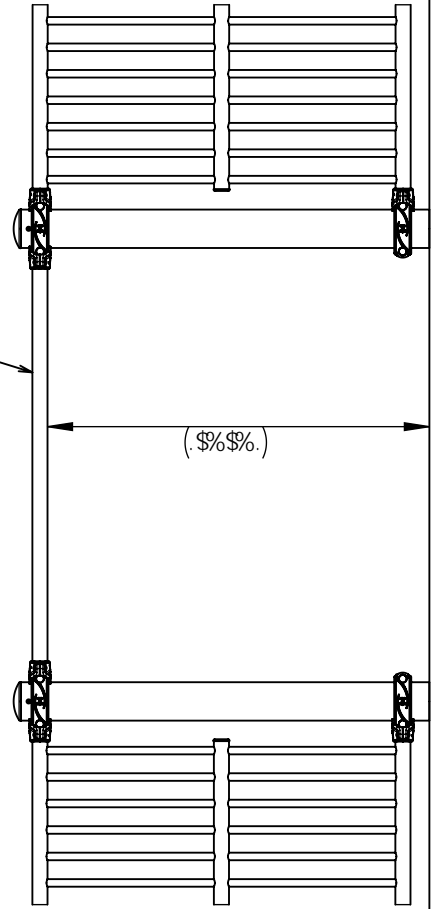
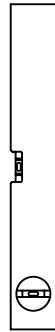
H 5 \$ \$ &



8888\$%



H 5 \$ \$ &



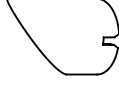
(. \$ % \$ % .)

\$

| FfZ | E hf |
|---------------|------|
| @5 &&&&\$J L | & |
| A -&) \$, J L | (|
| J 6HF, L() | & |
| J 9: A, | & |



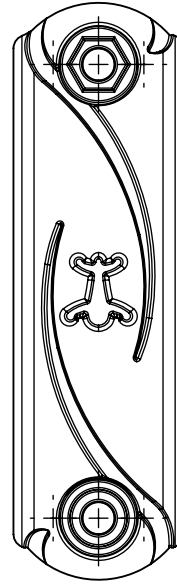
J 6HF, L()



A -&) \$, J L



J 9: A,



@5 &&&&\$J L

