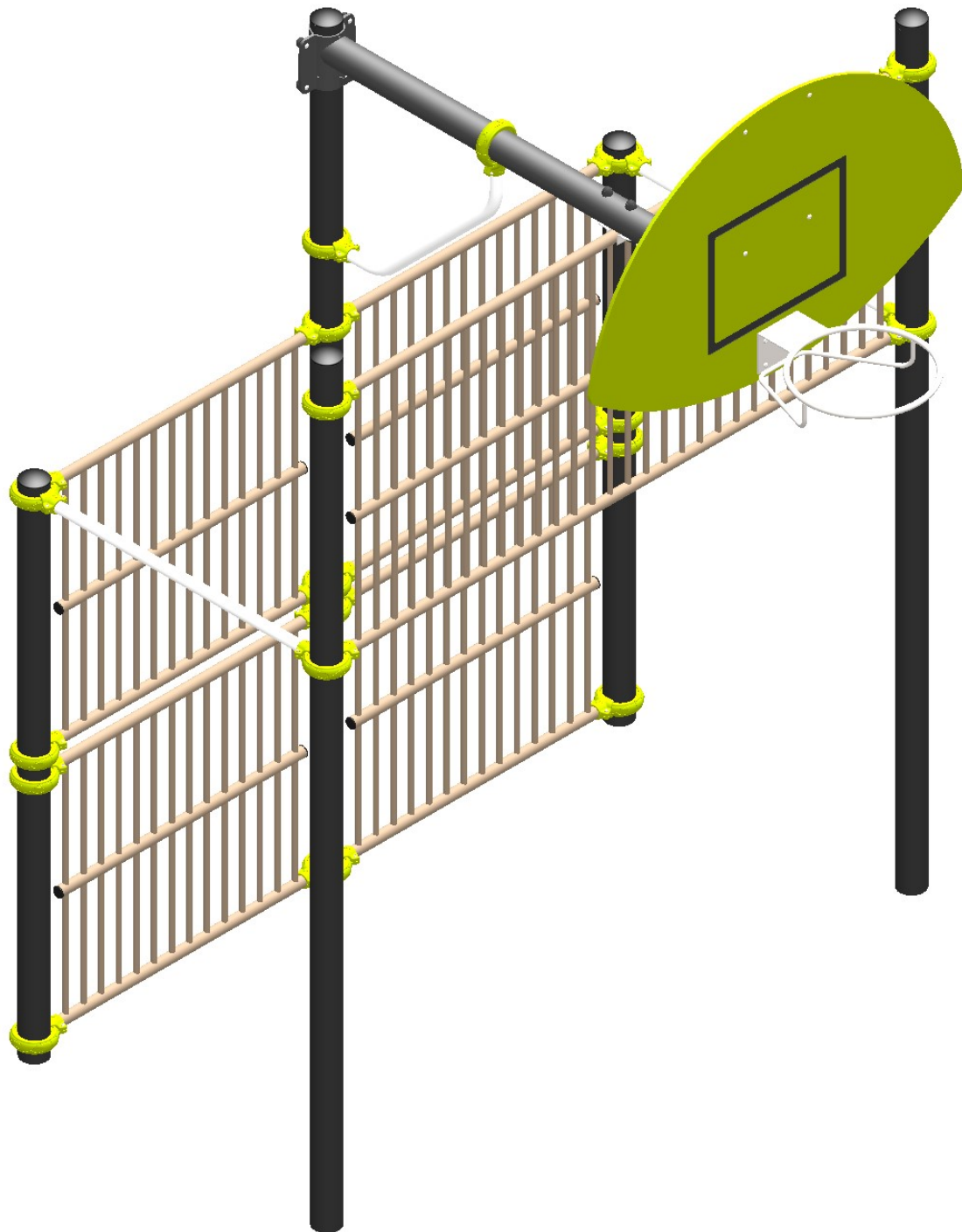


# J22218A

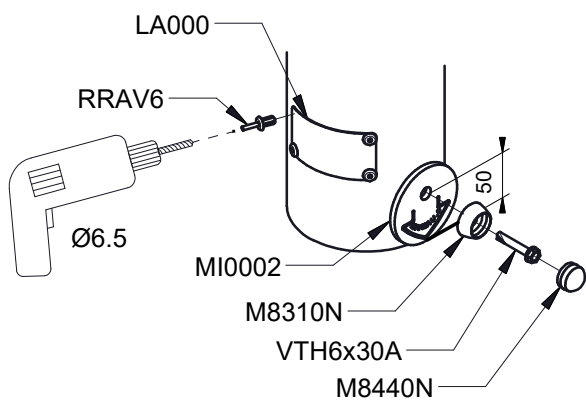
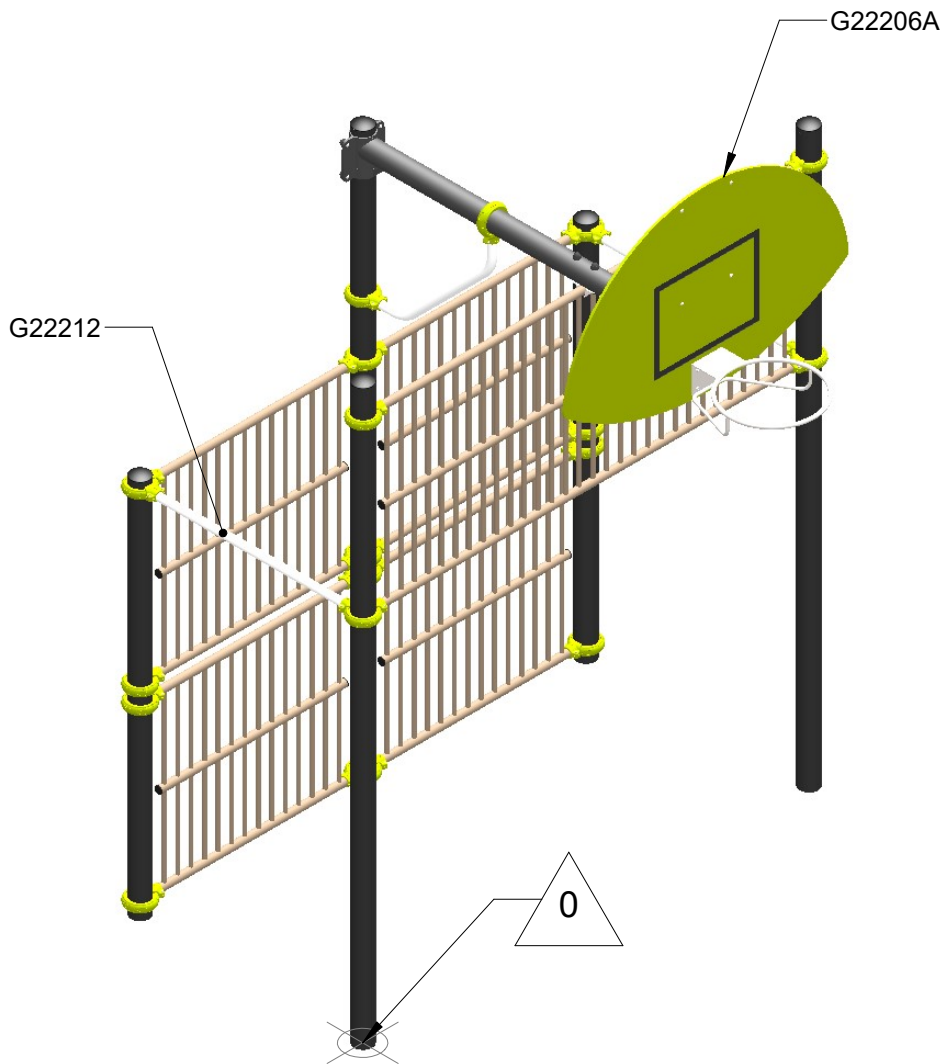
*Proludic*



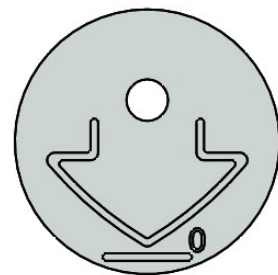
EN15312 MULTISPORT

01/04/2020

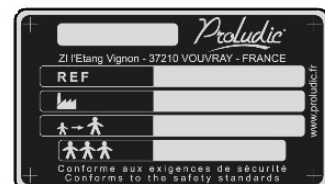
Réf	Qté
G22206A	1
G22212	2

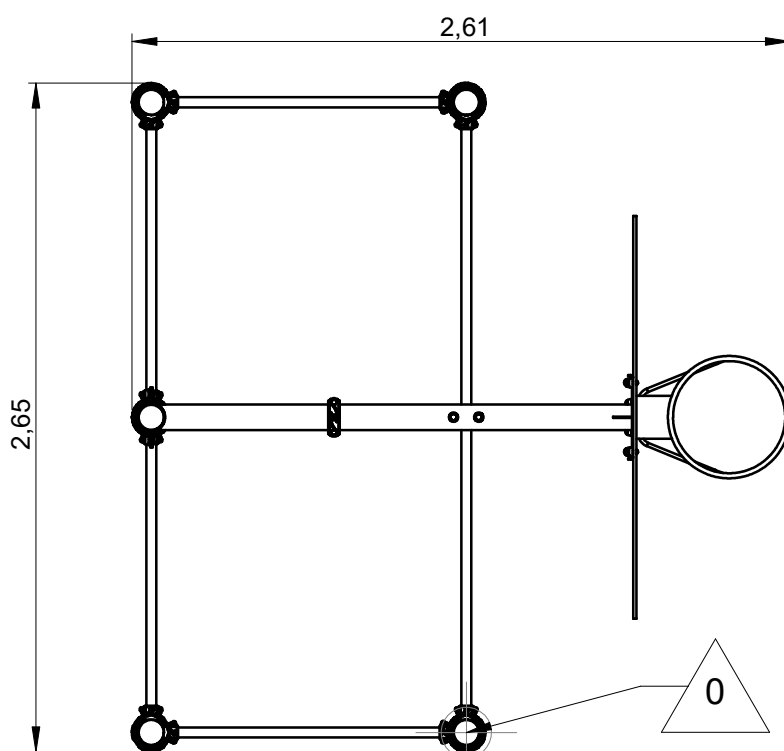
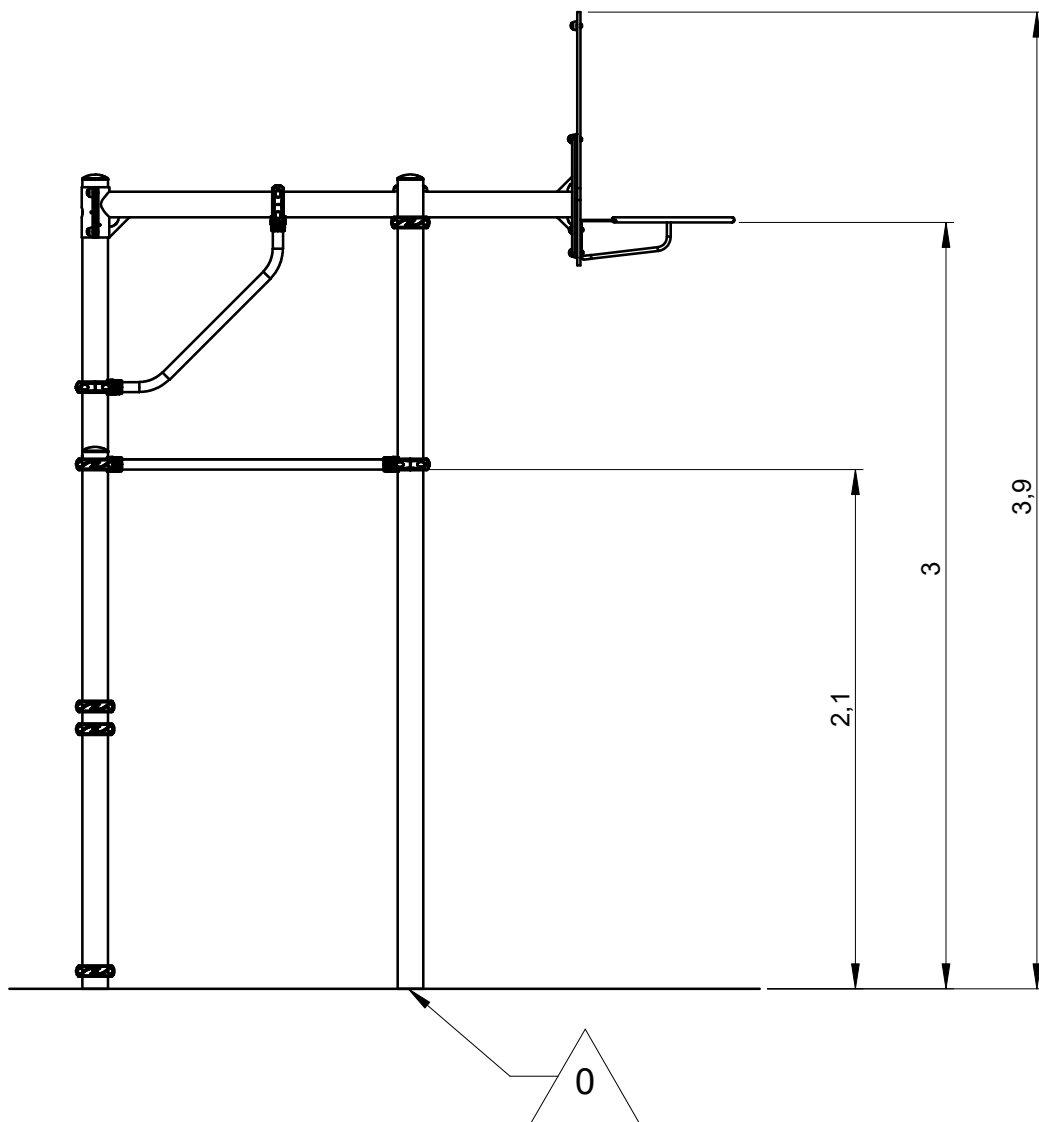


MI0002

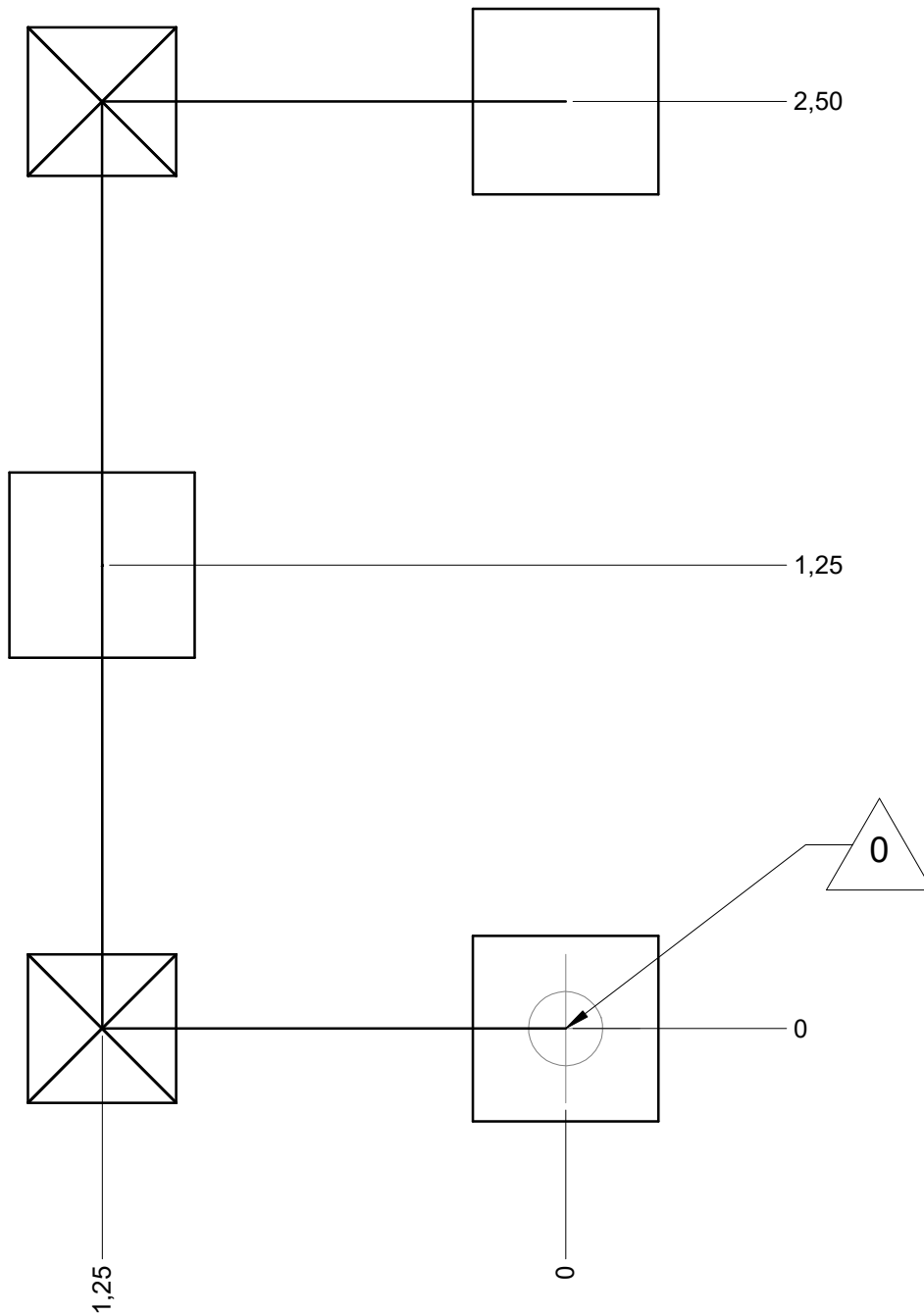


LA000








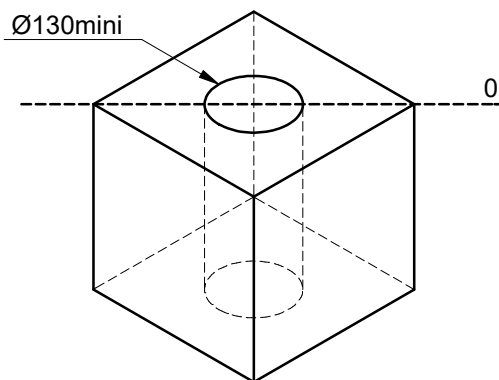
Implantation  
 Footing plan  
 Implantación  
 Fundamentplan  
 Funderingstekening



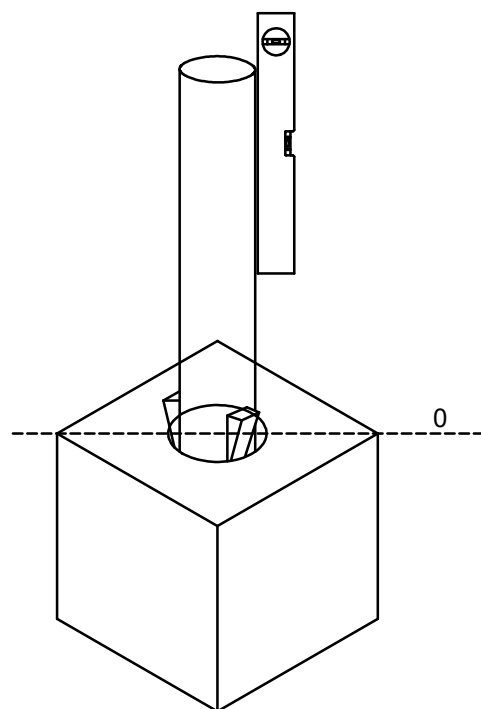
 x2	 4H	 0.5 m <sup>3</sup>
---	--	--

	x	y	z	w
	0.3	0.3	0.3	0.3
	0.4	0.4	0.3	0.3
	0.5	0.5	0.45	0.45

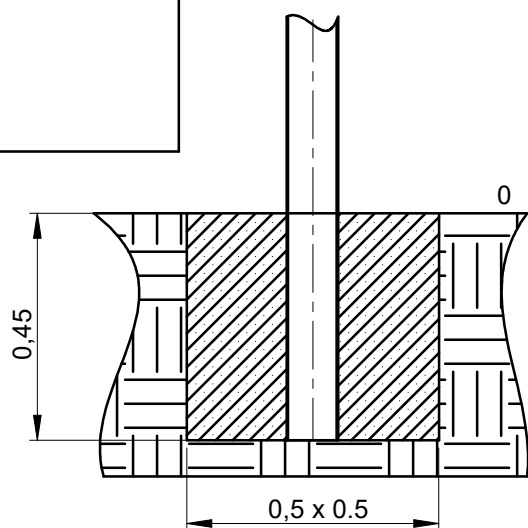
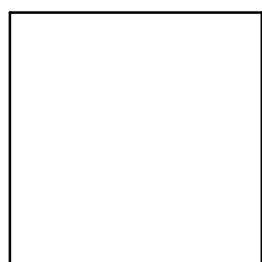
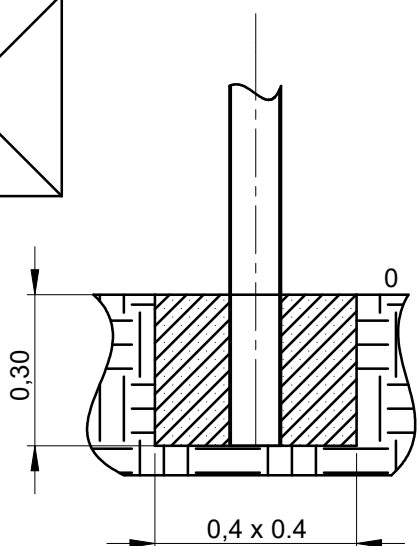
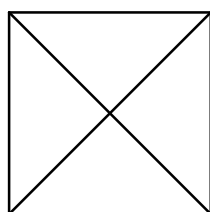
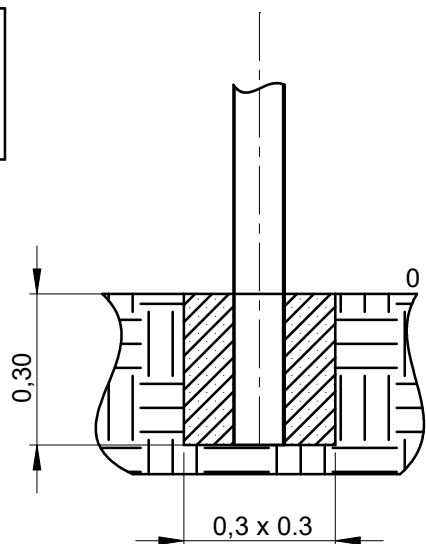
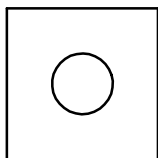
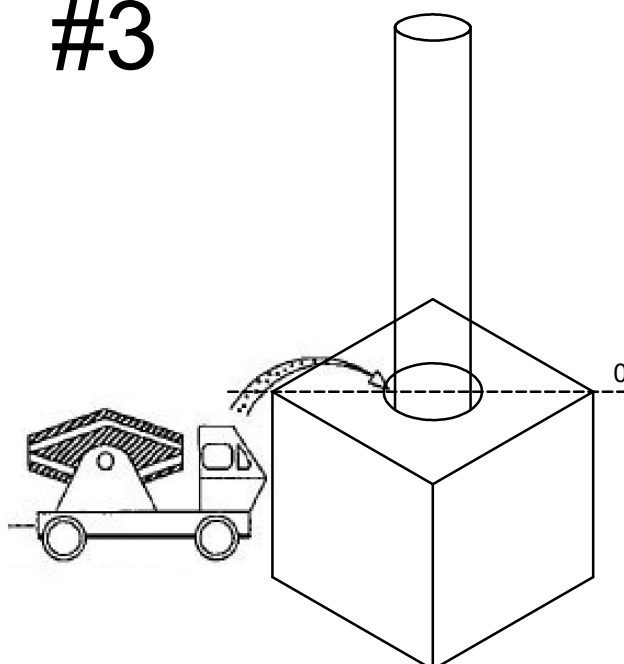
# #1

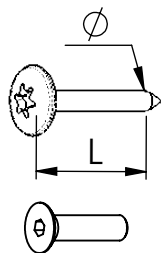


# #2



# #3





VBT 6 x 30  
 $\varnothing$   $\uparrow$  L (mm)

VFHC



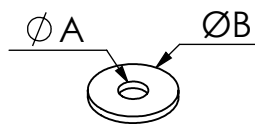
VEC M10  
 $\varnothing$



VEF



VEB

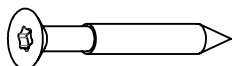


VR6x18  
 $\varnothing A$   $\varnothing B$

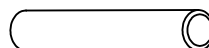
**1000 - 1800 tr/min**  
 Vitesse de rotation  
 Rotation speed

**14 N.m**  
 Couple de rupture  
 Torque of break

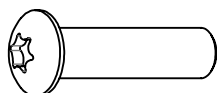
VTHA



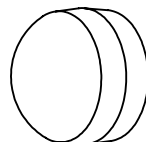
VWT



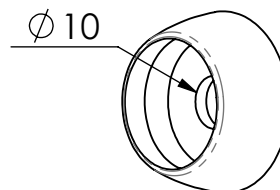
VGC



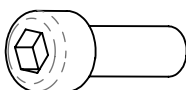
VCBHC



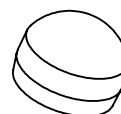
M10 440N



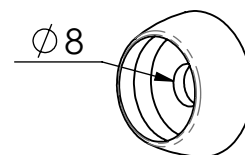
M10 310 N



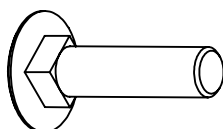
VBTR



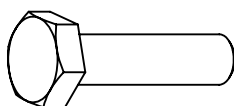
M8440N



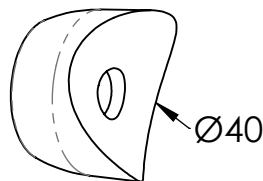
M8310N



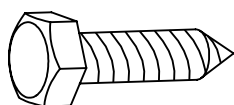
VTRCC



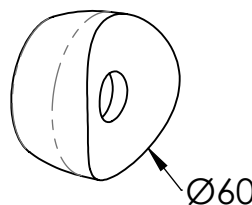
VTH



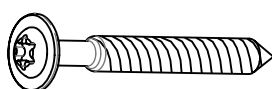
MI2503



VTF

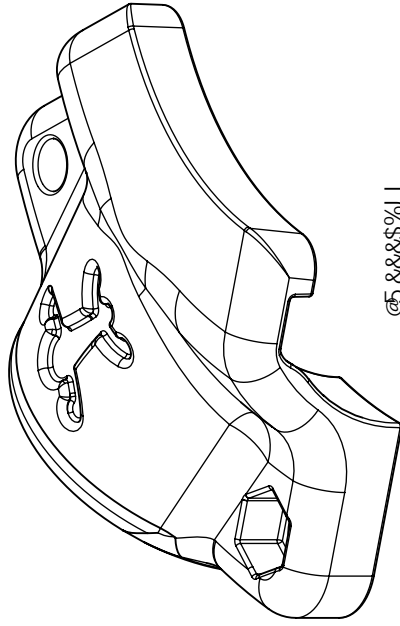
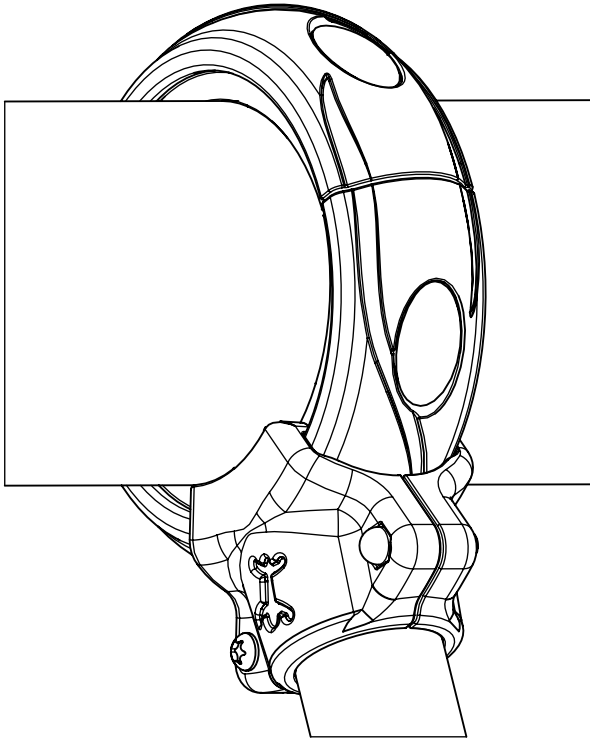


MI2701

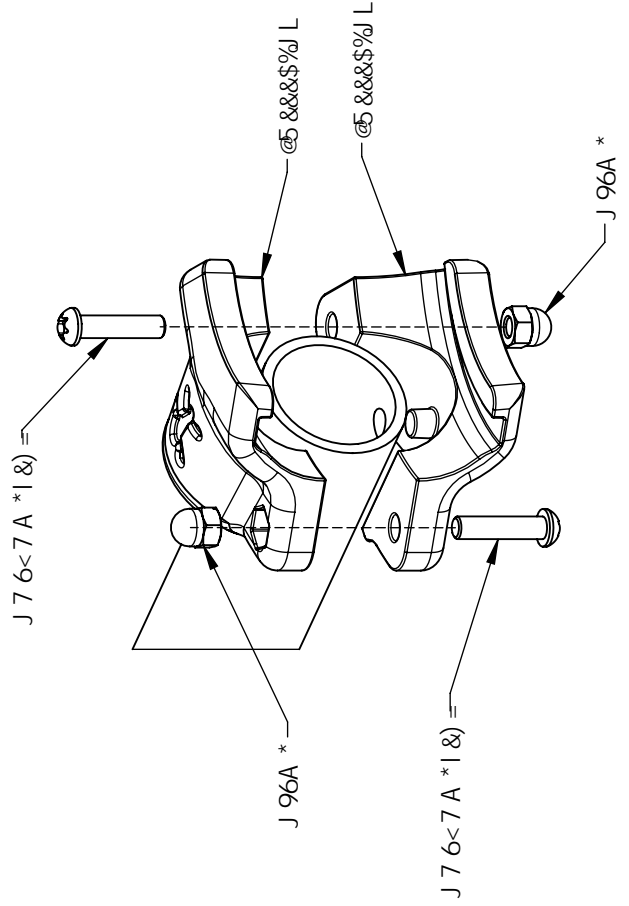


VBT

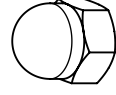
FfZ	E hf
∅ 5.5 L	&
J 7 6 < 7 A *   & ) =	&
J 96A *	&



∅ 5.5 L

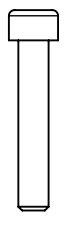


J 7 6 < 7 A \* | & ) =

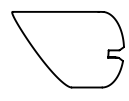


J 96A \*

FfZ	E hf
@5 &&&&\$J L	&
A -&) \$, J L	(
J 6HF, L()	&
J 9: A,	&



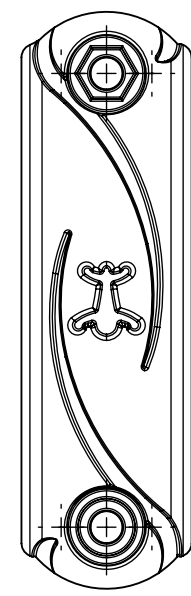
J 6HF, L()



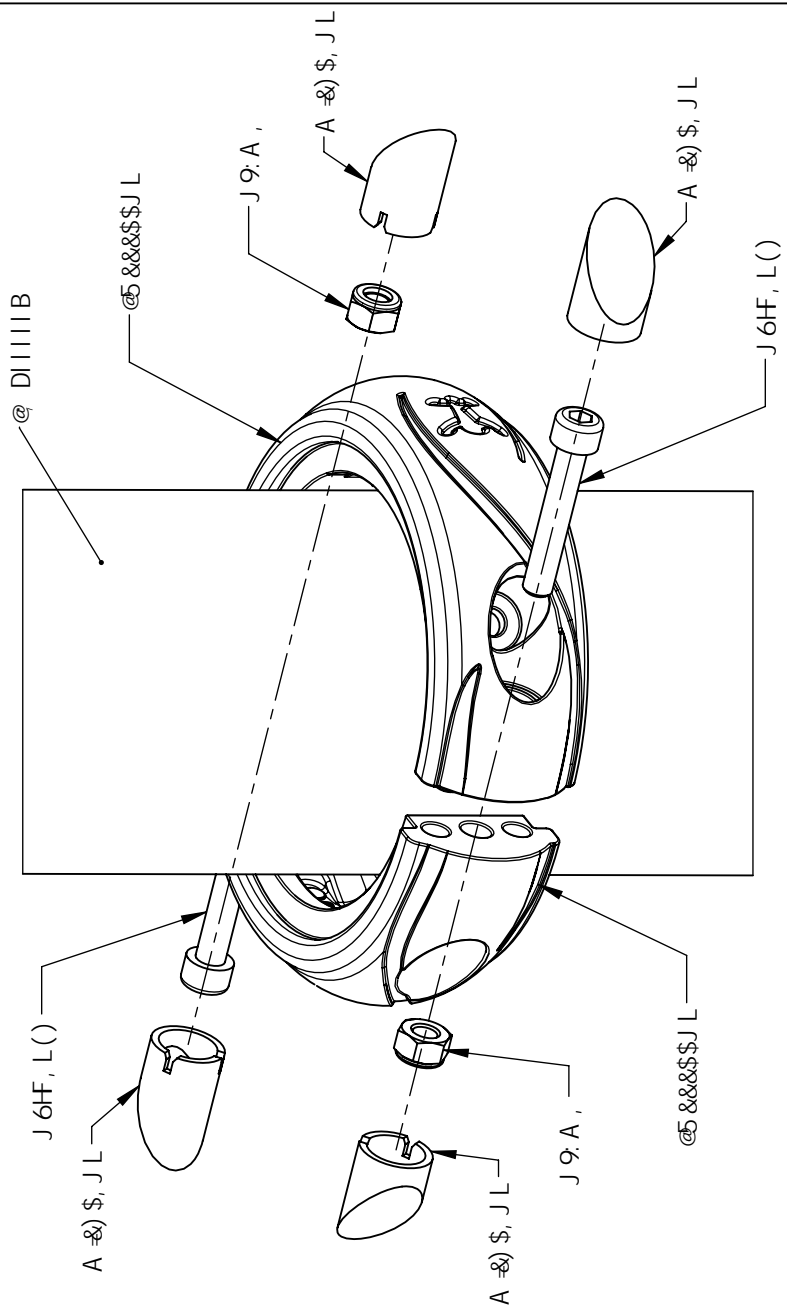
A -&) \$, J L



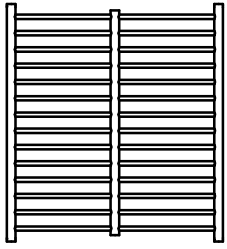
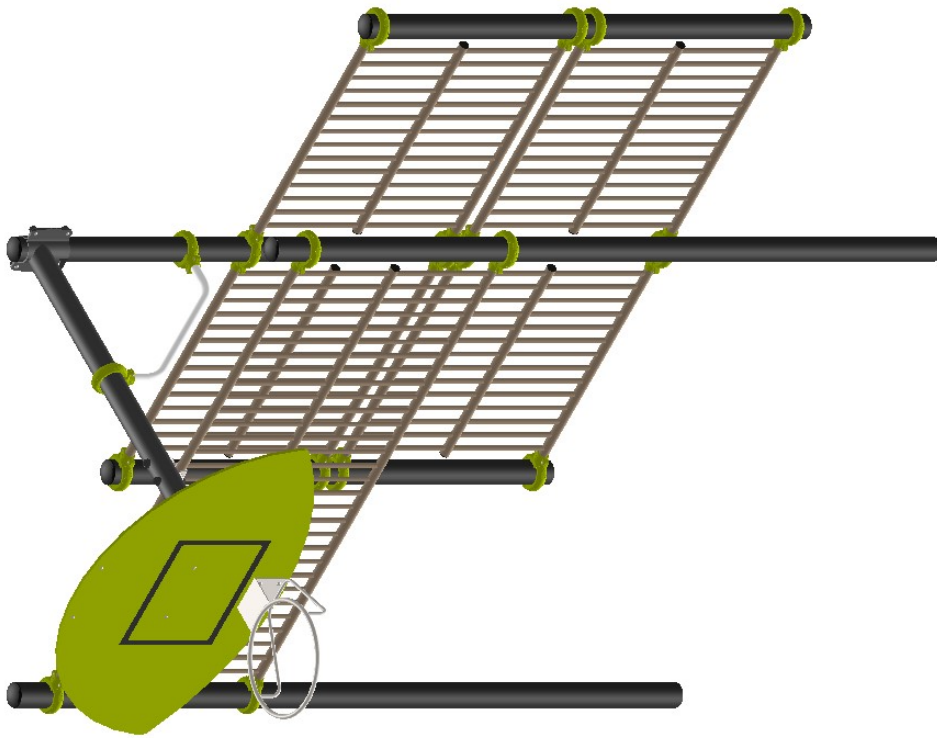
J 9: A,



@5 &&&&\$J L



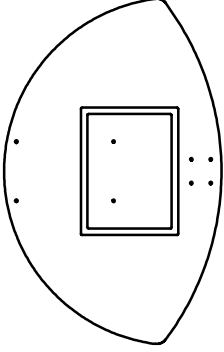




LA22203GBE



LI22103



ET22200VX



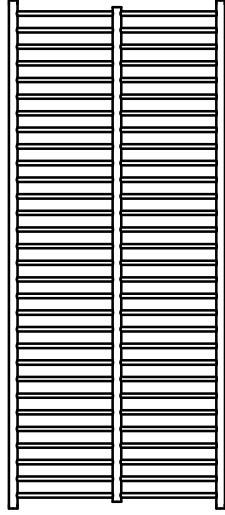
LA22200VX



LA22201VX



LA22100



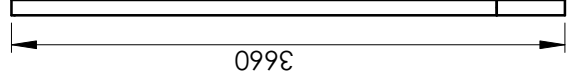
LA22204GBE



LGP22202N

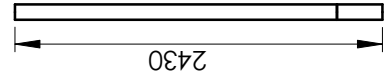


LGP22201N



3660

LGP22206N

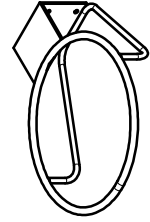


2430

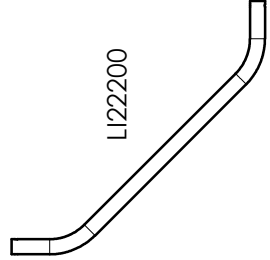
LGP22205N



M42



RBSKT\_GALVA

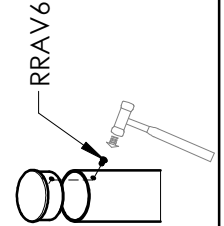
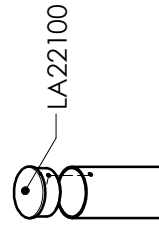
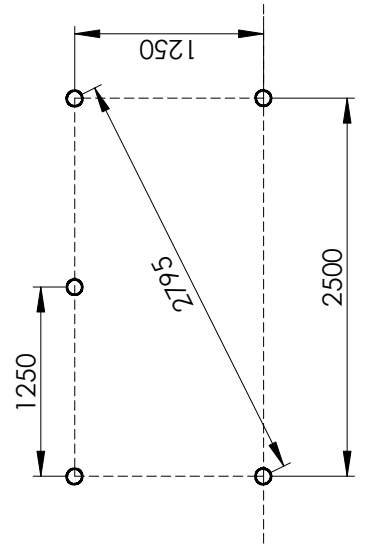
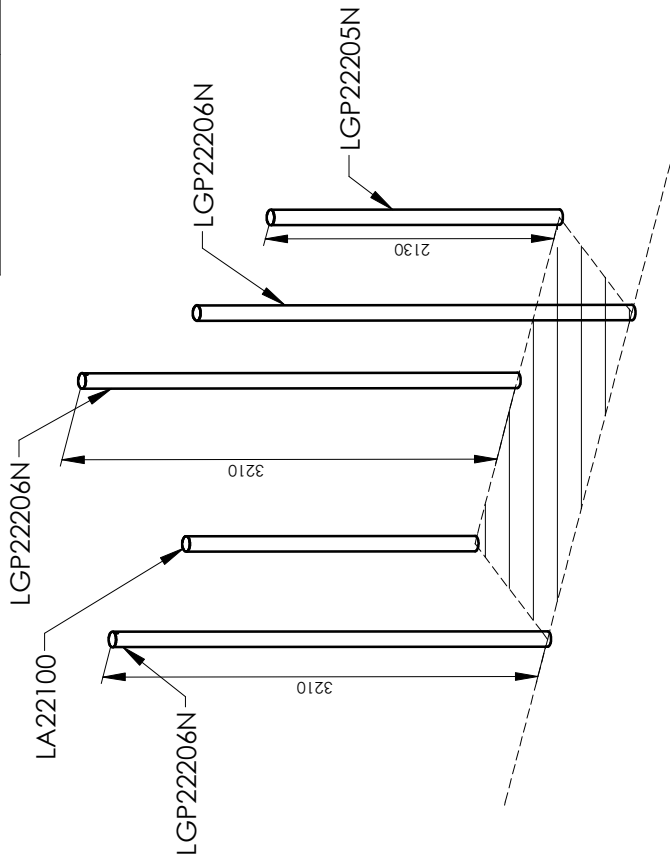


LI22200

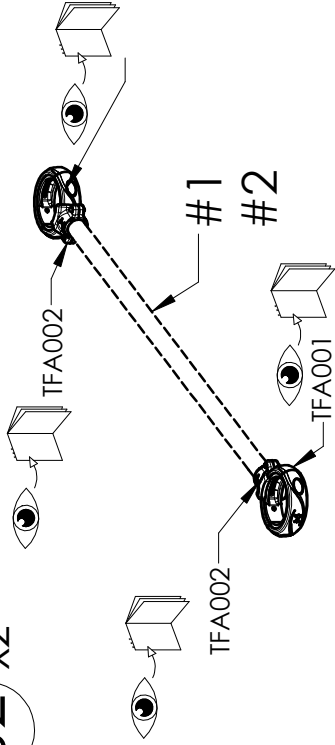
Réf	Qté
ET22200VX	1
LA22100	5
LA22200VX	36
LA22201VX	44
LA22203GBE	4
LA22204GBE	1
LGP22201N	1
LGP22202N	1
LGP22205N	2
LGP22206N	3
LI22103	1
LI22200	1
M42	10
M10310N	16
M10440N	16
M12508VX	72
M12701N	2
RBSKT_GALVA	1
RRAV6	5
VBTR8X45	36
VCBHC6x25I	44
VCBHC10x30I	6
VCBHC10x40I	6
VEBM6	44
VEFM8	36
VEFM10	14
VTH10x120	2

01

Réf	Qté
LA22100	5
LGP22205N	2
LGP22206N	3
RRAV6	5

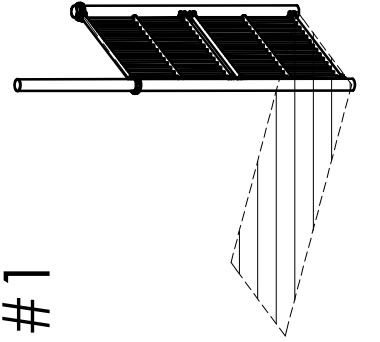


02 x2

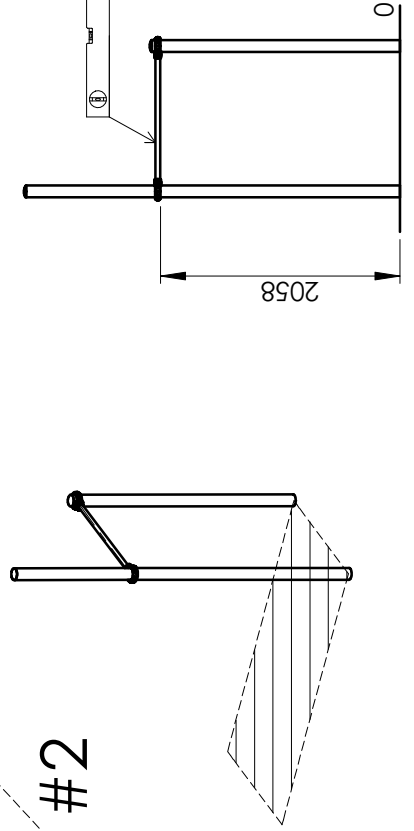


Réf	Qté
LA22200VX	4
MI2508VX	8
VBTR8X45	4
VEFM8	4

#1



#2

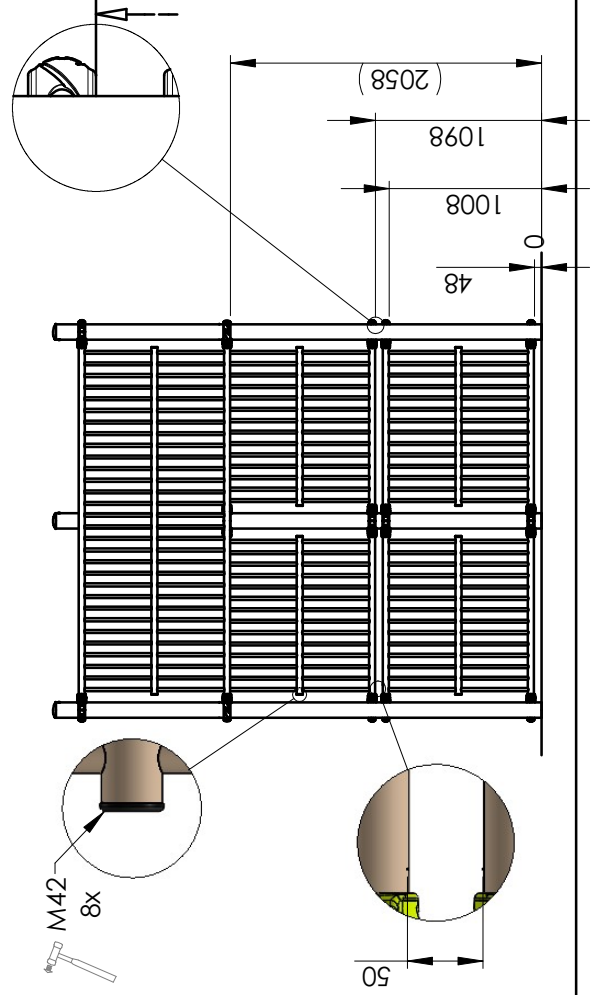
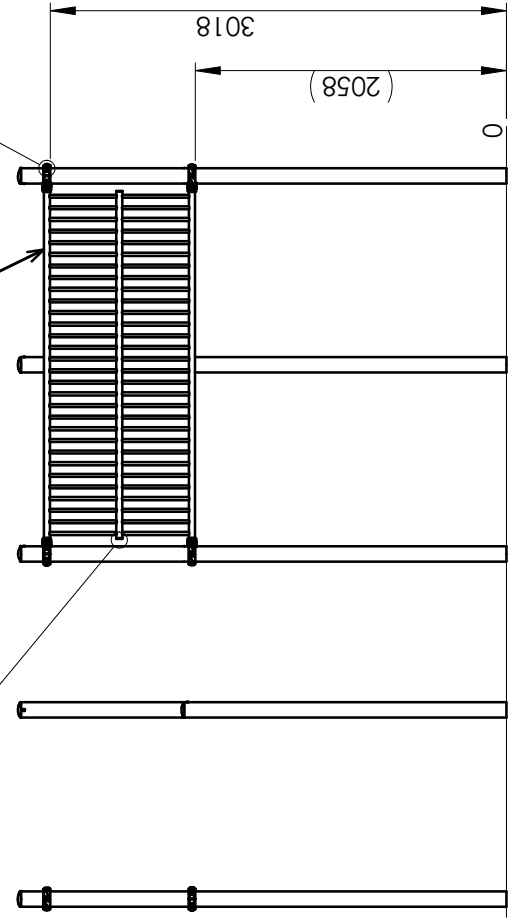
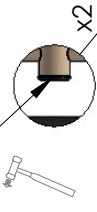
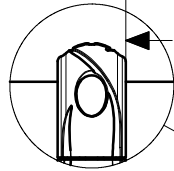
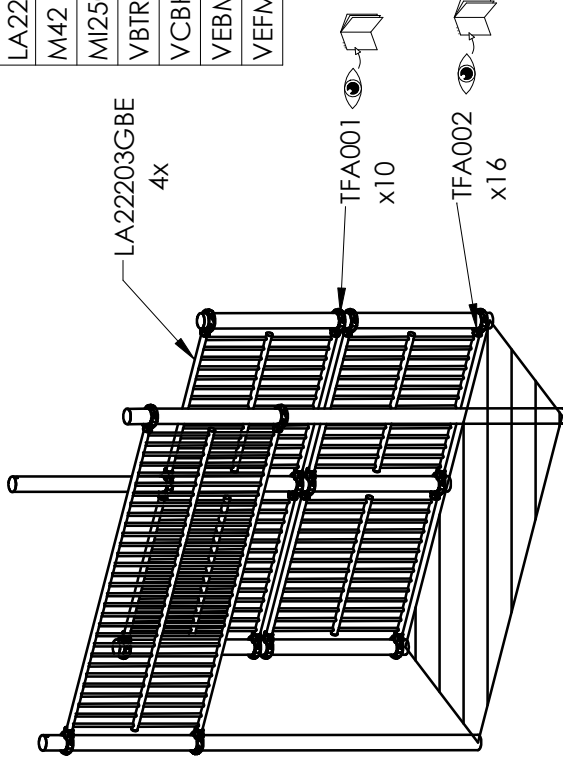
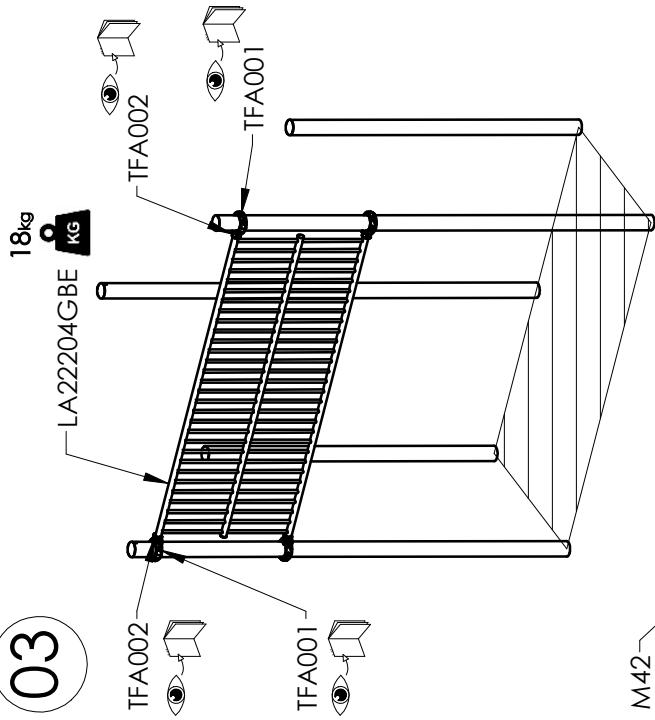


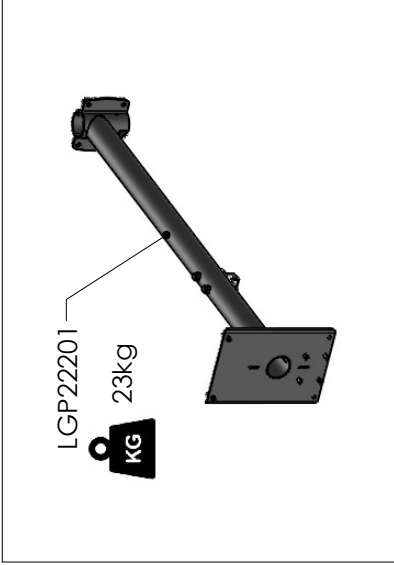
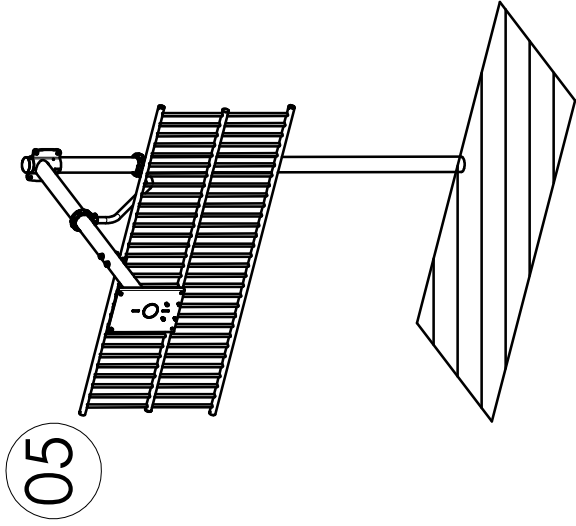
**03**

**04**

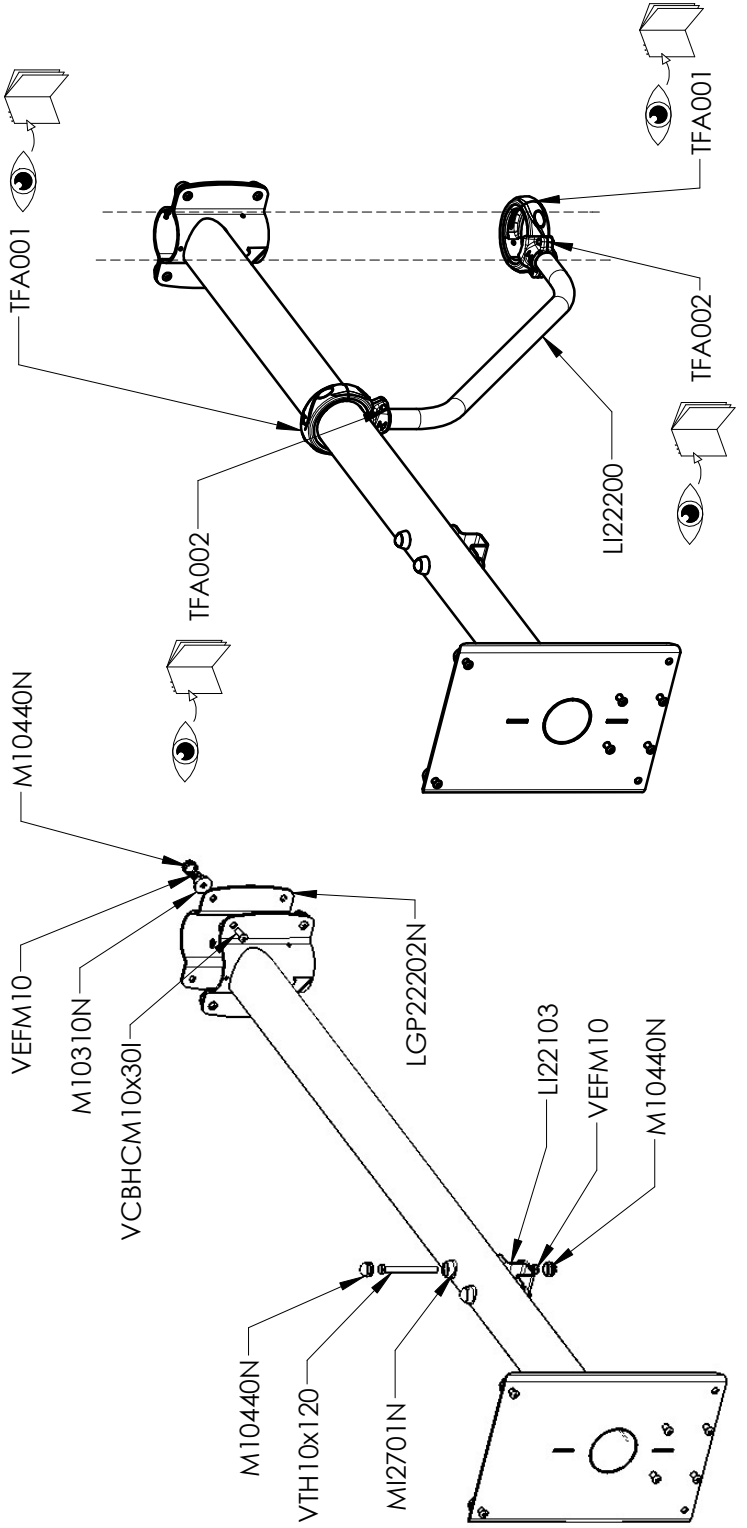
Réf	Qté
LA22200VX	8
LA22201VX	8
LA22204GBE	1
M42	2
MI2508VX	16
VBTR8X45	8
VCBHCM6x25I	8
VEBM6	8
VEFM8	8

Réf	Qté
LA22200VX	32
LA22201VX	32
LA22203GBE	4
M42	8
MI2508VX	64
VBTR8X45	32
VCBHCM6x25I	32
VEBM6	32
VEFM8	32

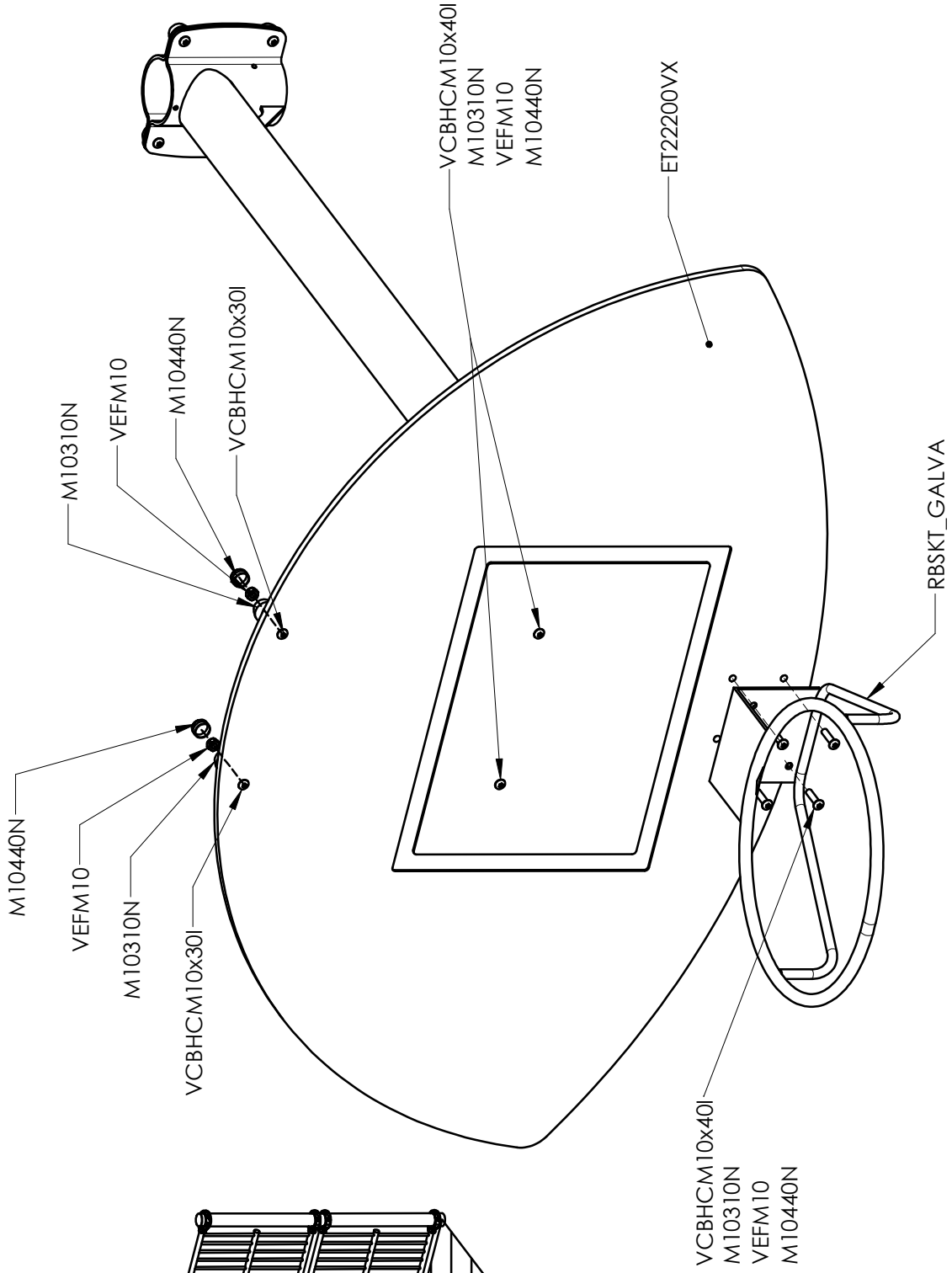
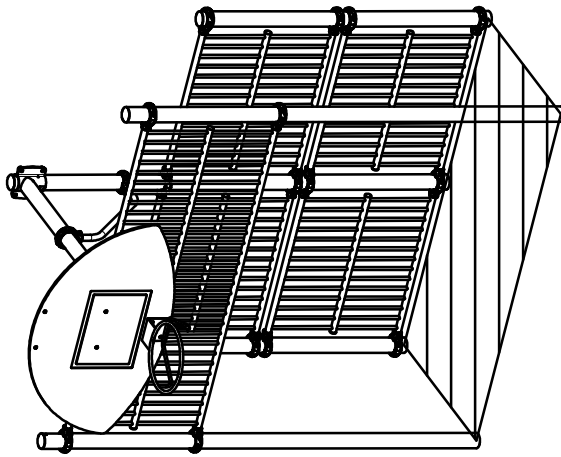




Réf	Qté	Réf	Qté
LA22200VX	4	RRAV6	1
LA22201VX	4	VBTR8X45	4
LGP22201IN	1	VCBHC6M6x25I	4
LGP22202N	1	VCBHC10x30I	4
LI22103	1	VCBHC10x40I	6
LI22200	1	VEBM6	4
M10310N	14	VEFM8	4
M10440N	14	VEFM10	12
MI2508VX	8	VTH10x120	2
MI2701N	2		

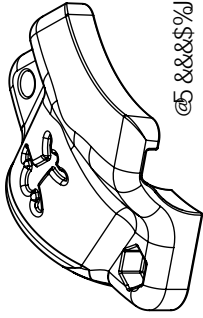


06

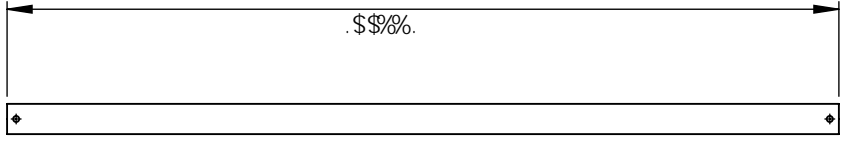


Réf	Qté
ET22200VX	1
M10310N	16
M10440N	16
M12701N	2
RBSKT_GALVA	1
VCBHCM10x30I	6
VCBHCM10x40I	6
VEFM10	14
VTH10x120	2

Fz	E hf
5 888\$%L	(
8888\$%	%
J 7 6 < 7 A *   & ) =	(
J 96A *	(



5 888\$%L



H 5 \$\$&



8888\$%



H 5 \$\$&

