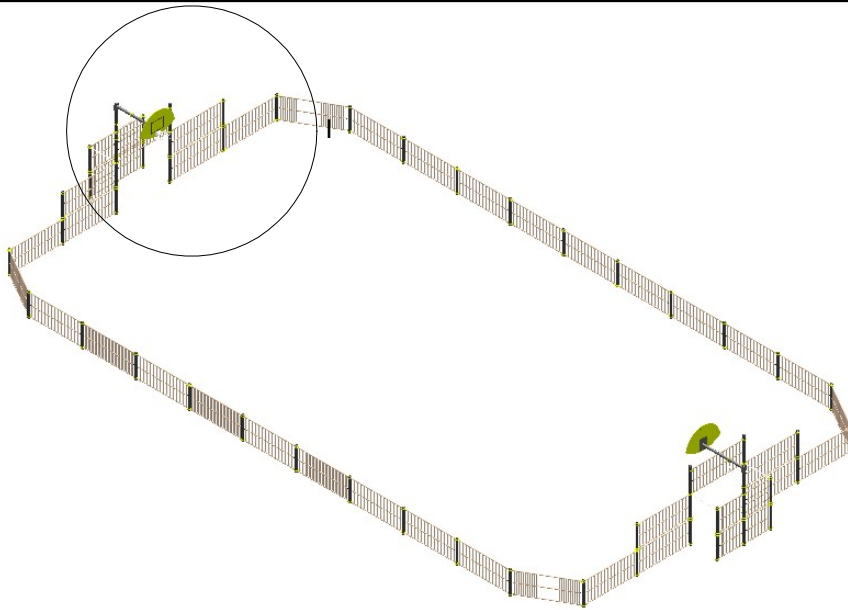
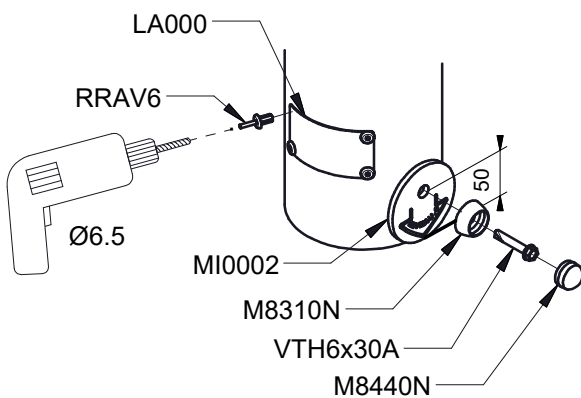
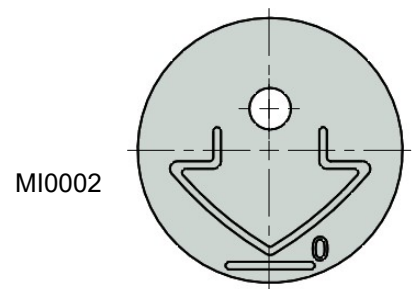
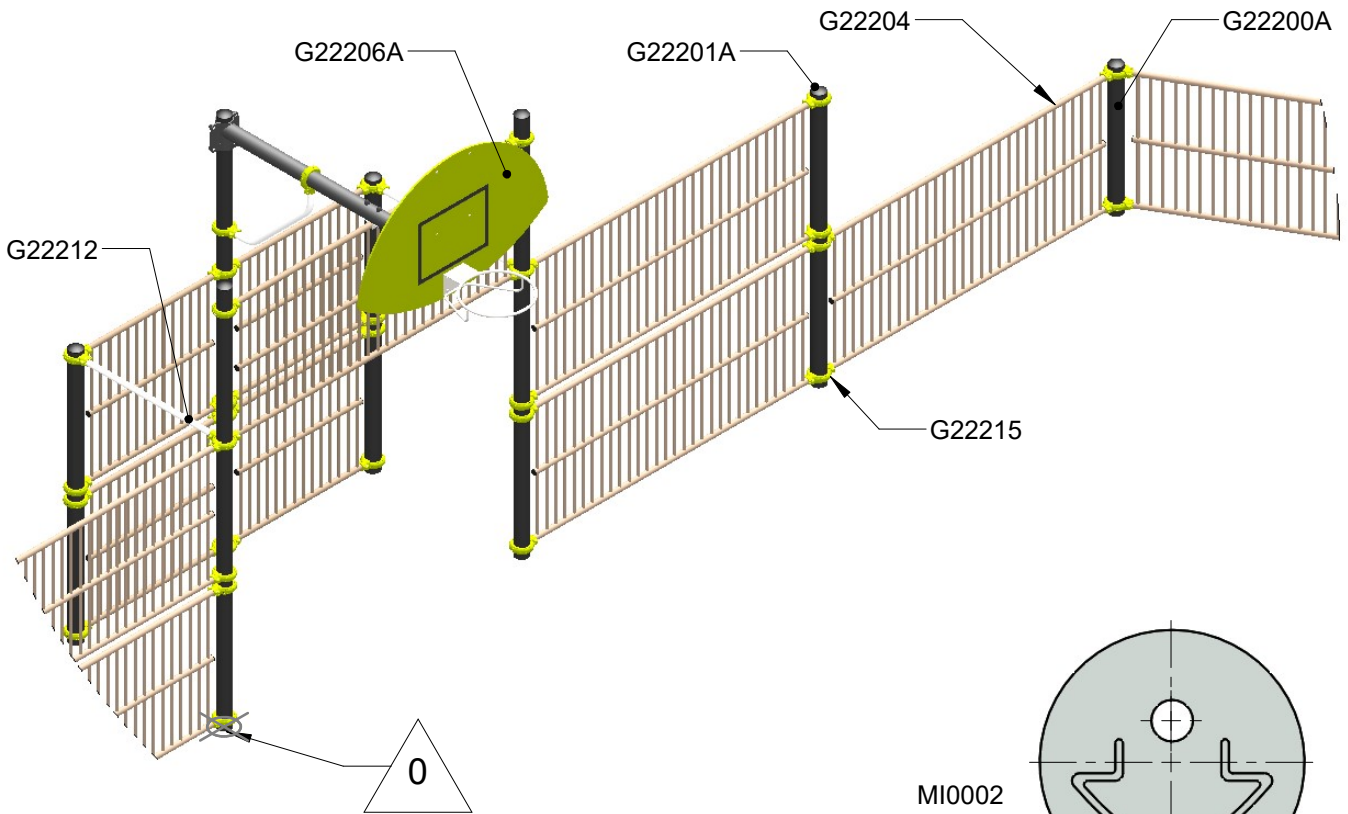
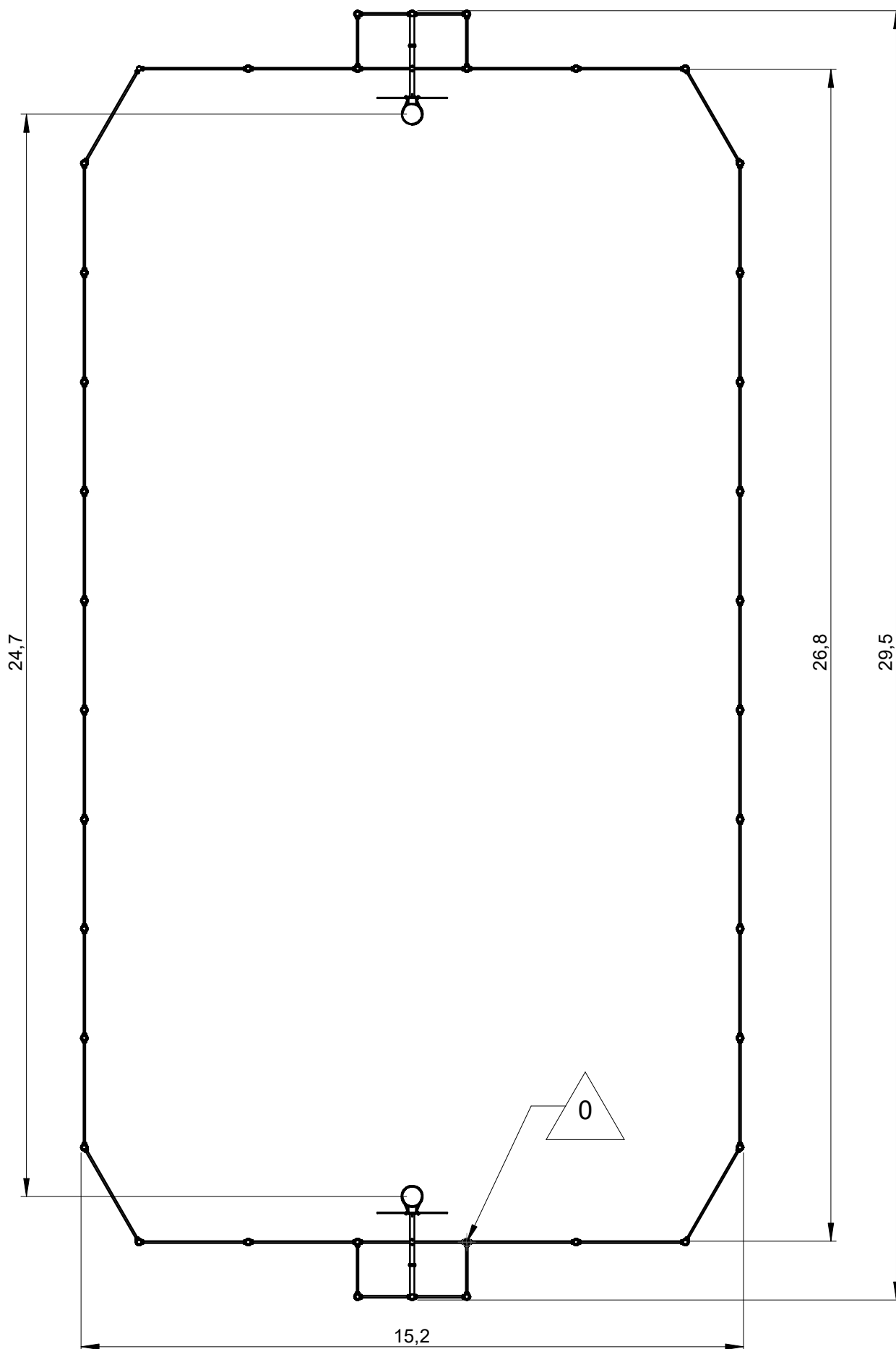


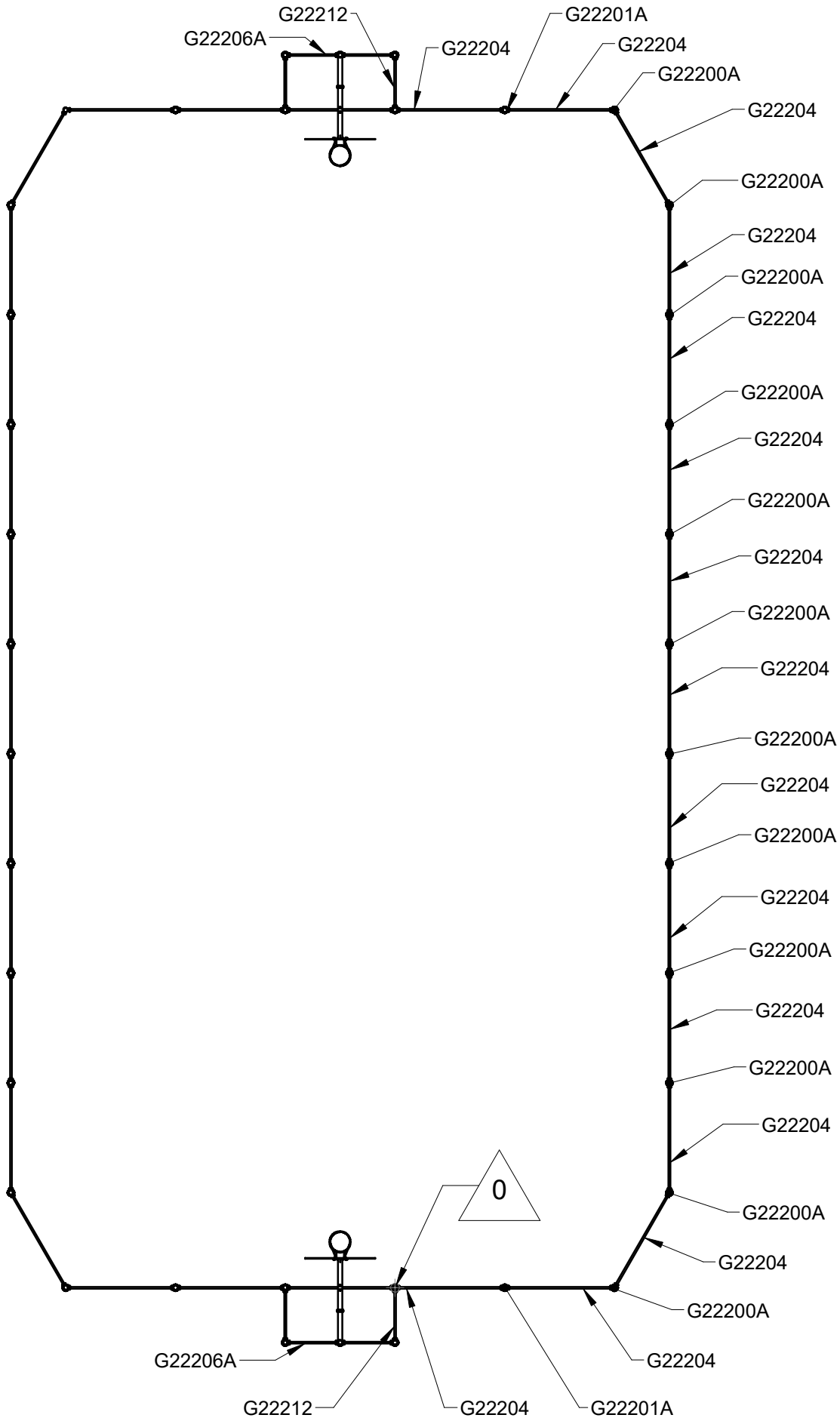
Réf	Qté
G22200A	24
G22201A	4
G22204	34
G22206A	2
G22212	4
G22215	74

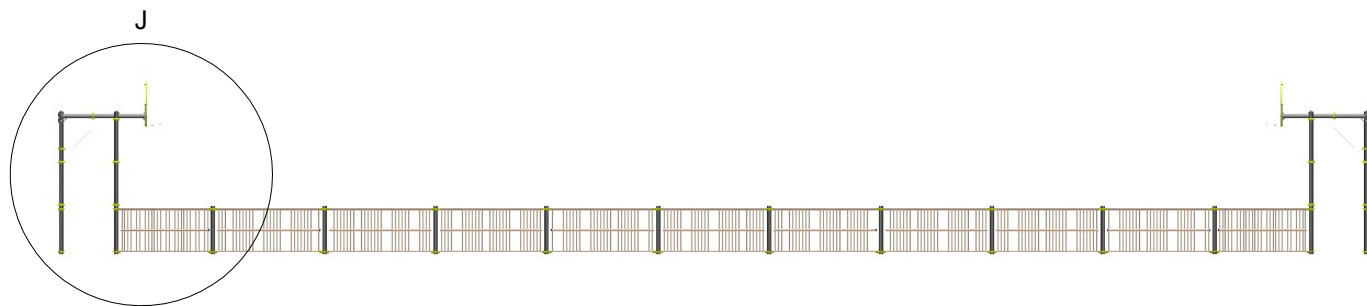


DÉTAIL I  
ECHELLE 1 : 45

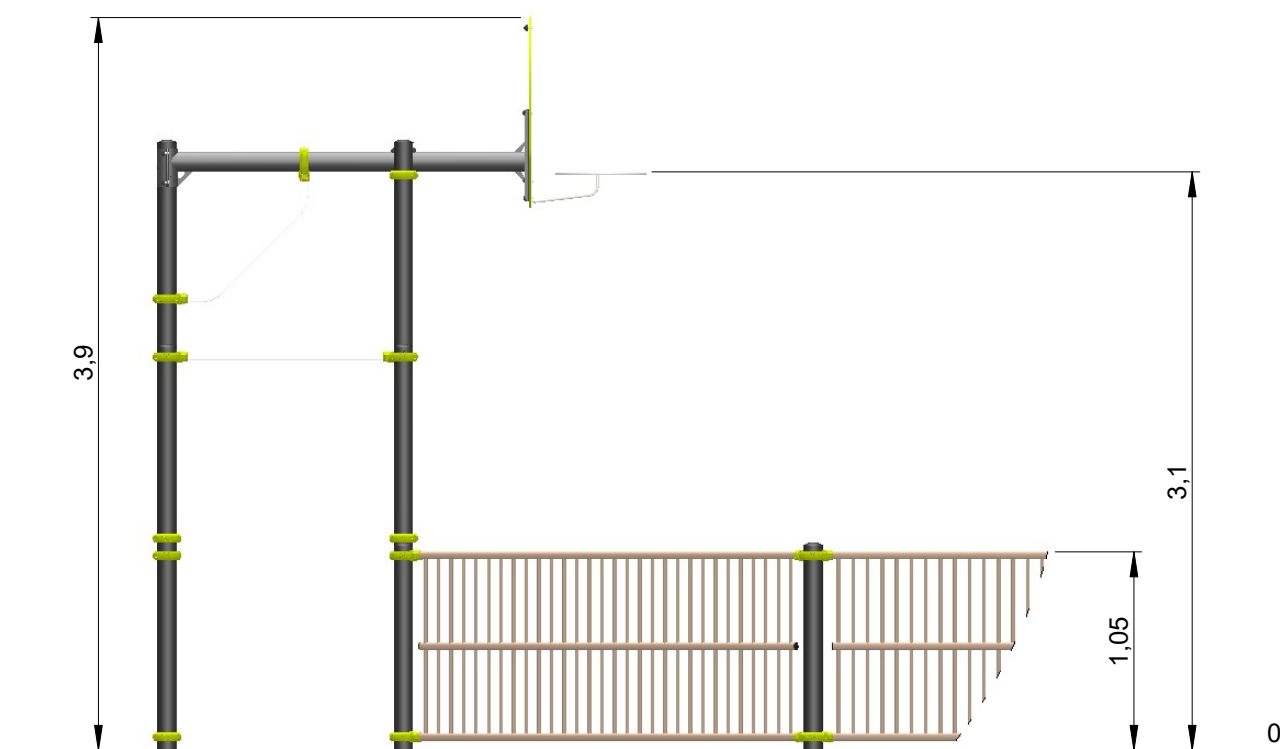




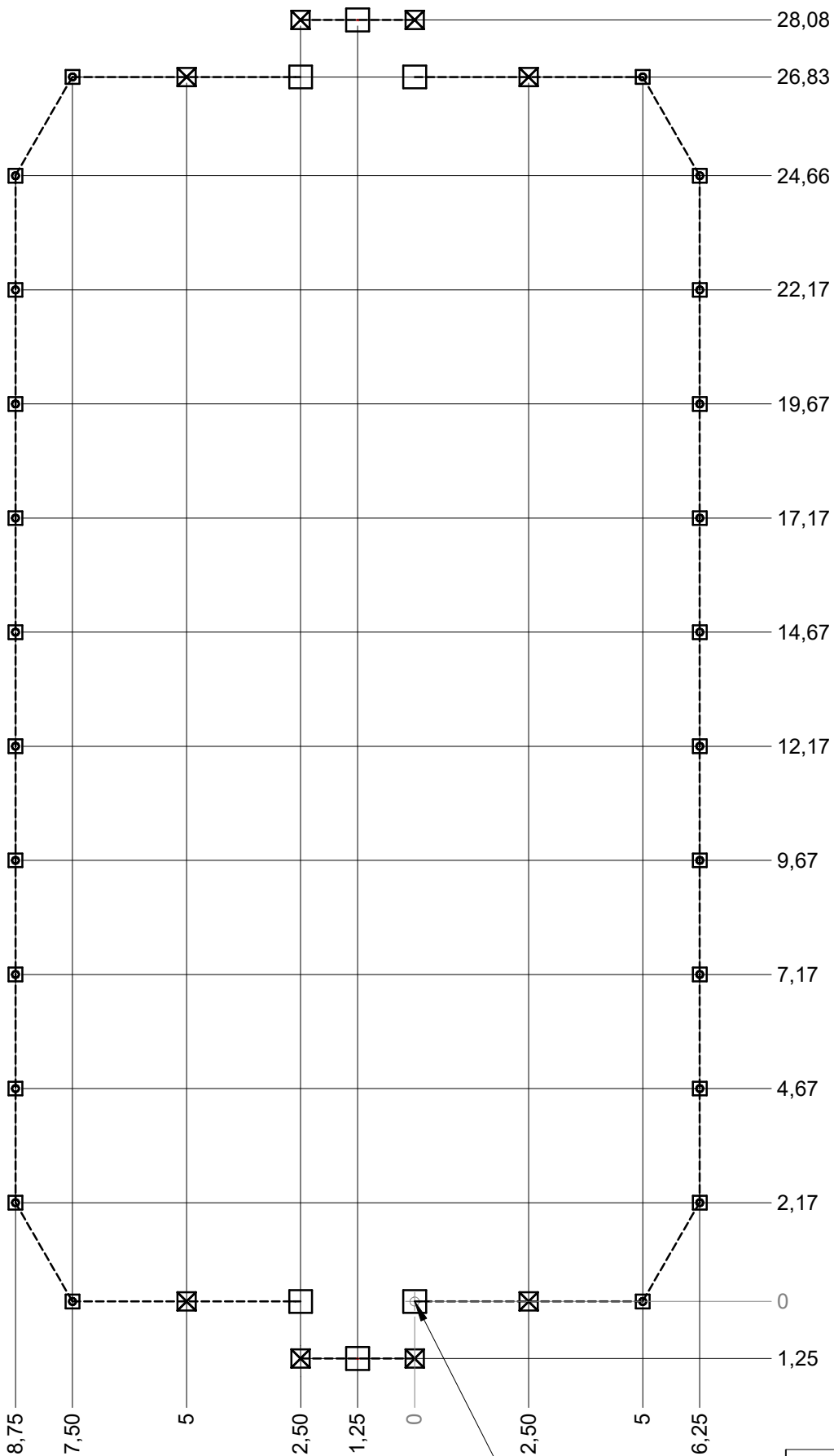






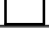
DÉTAIL J  
ECHELLE 1 : 40

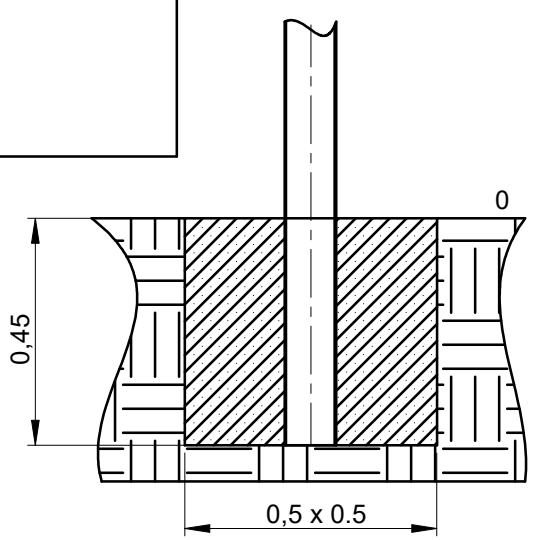
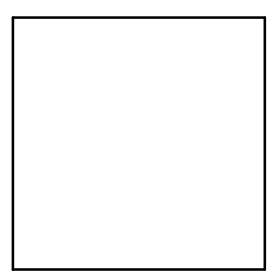
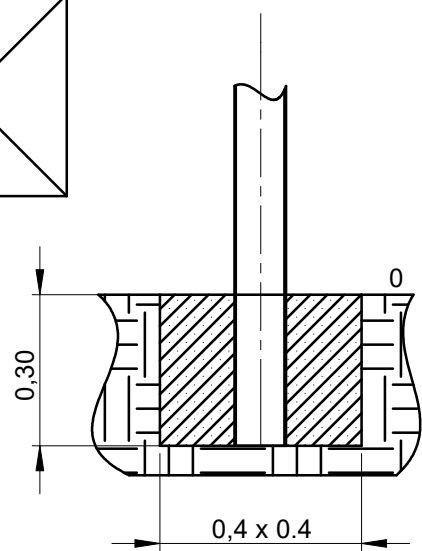
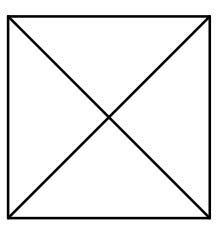
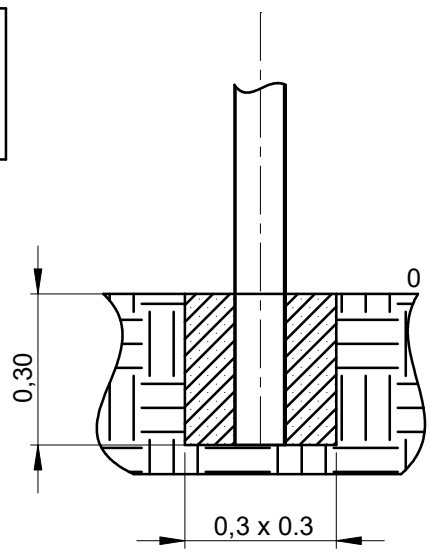
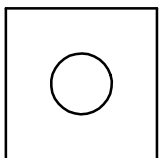


Implantation  
 Footing plan  
 Implantación  
 Fundamentplan  
 Funderingstekening

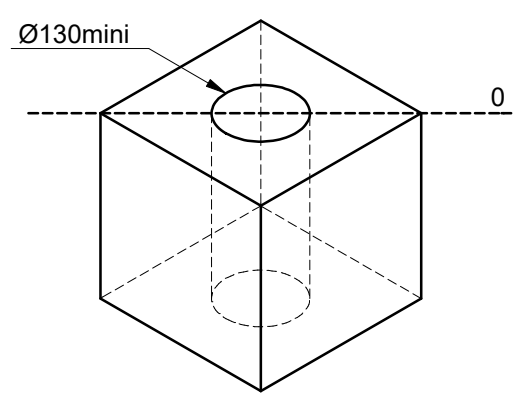


 x3  
 24H  
 1.8 m<sup>3</sup>

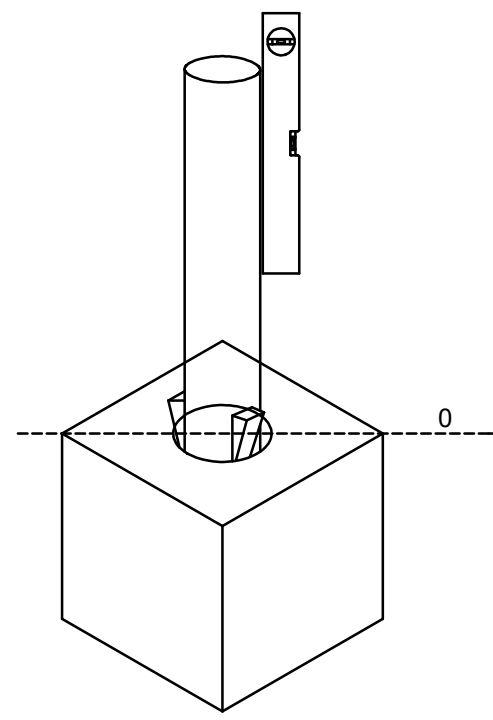
	x	y	z	w
	0.3	0.3	0.3	0.3
	0.4	0.4	0.3	0.3
	0.5	0.5	0.45	0.45



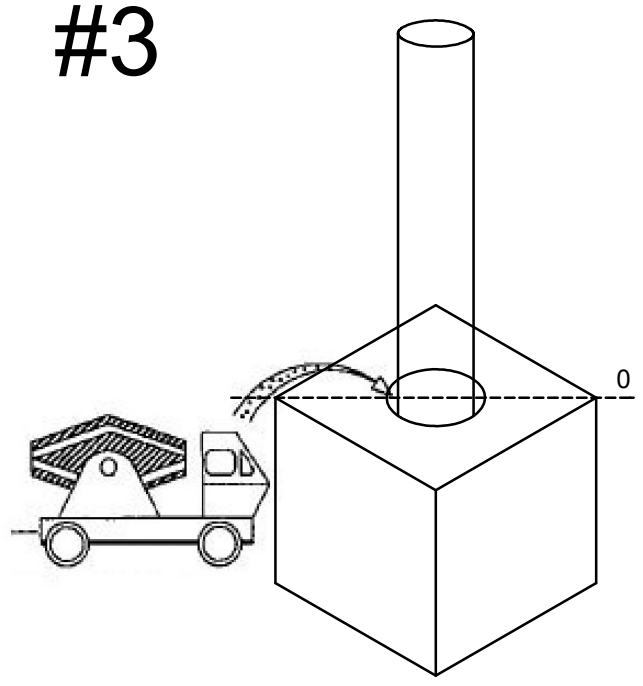
# #1

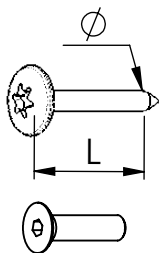


# #2



# #3





VBT 6 x 30  
 $\varnothing$   $\uparrow$  L (mm)

VFHC



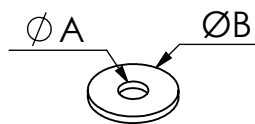
VEC M10  
 $\varnothing$



VEF



VEB

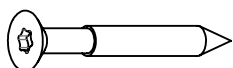


VR6x18  
 $\varnothing A$   $\varnothing B$

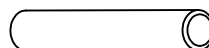
**1000 - 1800 tr/min**  
 Vitesse de rotation  
 Rotation speed

**14 N.m**  
 Couple de rupture  
 Torque of break

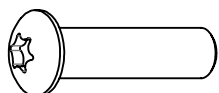
VTHA



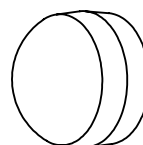
VWT



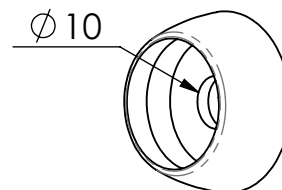
VGC



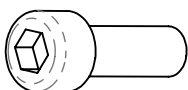
VCBHC



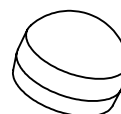
M10 440N



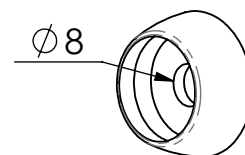
M10 310 N



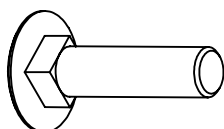
VBTR



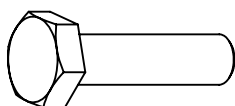
M8 440N



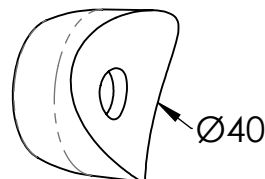
M8 310N



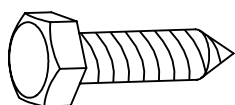
VTRCC



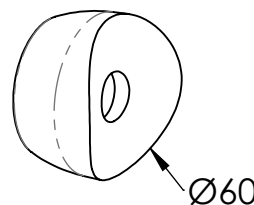
VTH



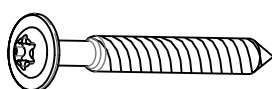
MI2503



VTF



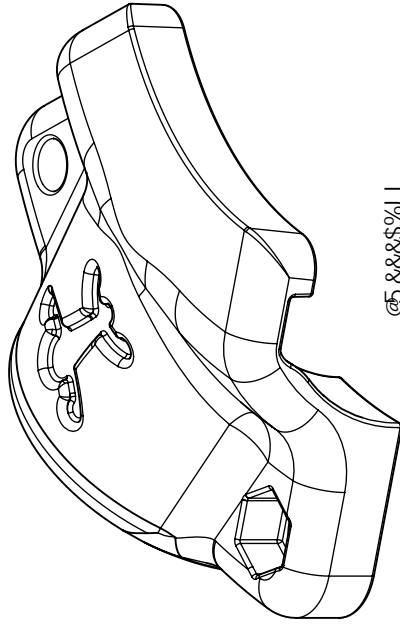
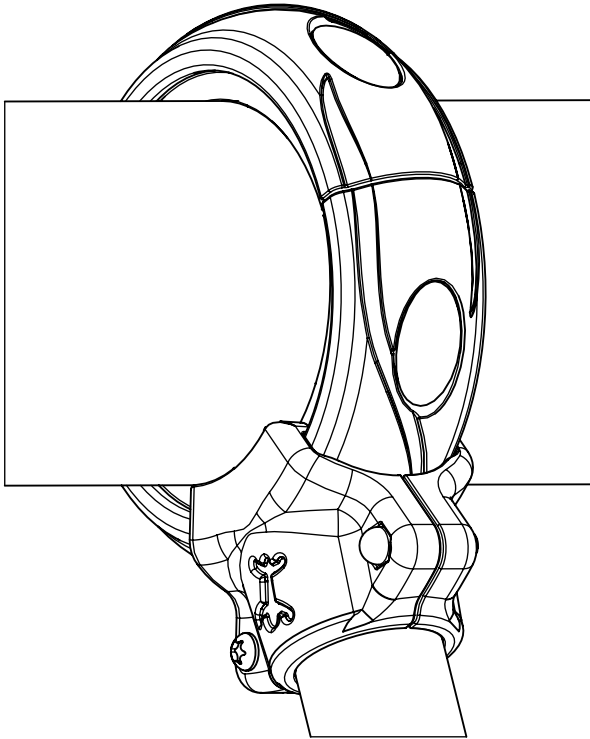
MI2701



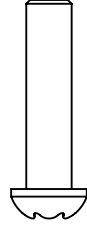
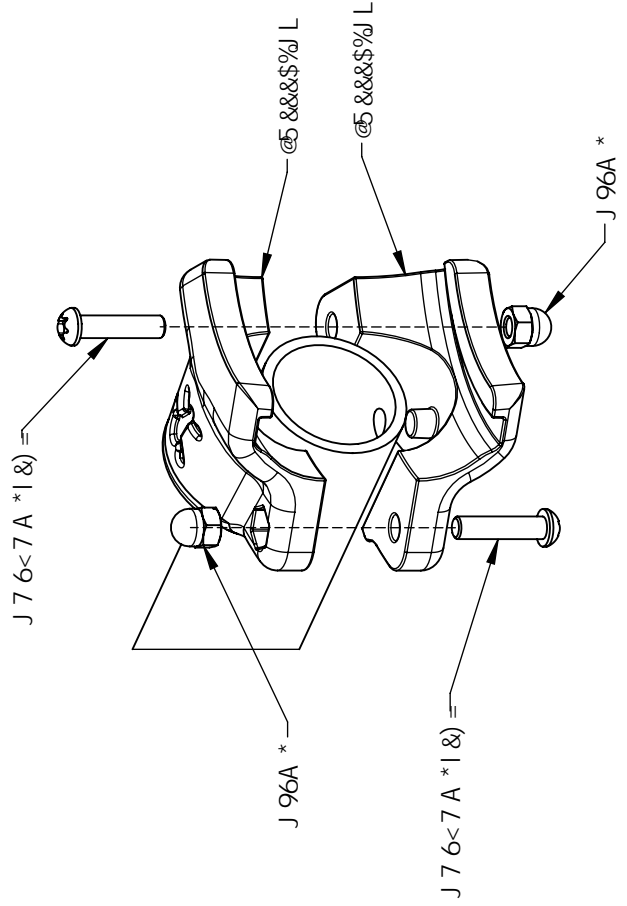
VBT



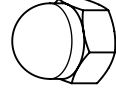
FfZ	E hf
∅ 5 8 8 8 % L	&
J 7 6 < 7 A *   8 ) =	&
J 9 6 A *	&



∅ 5 8 8 8 % L

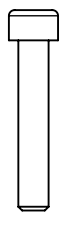


J 7 6 < 7 A \* | 8 ) =

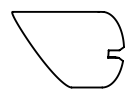


J 9 6 A \*

FfZ	E hf
@5 &&&&\$J L	&
A -8) \$, J L	(
J 6HF, L()	&
J 9: A,	&



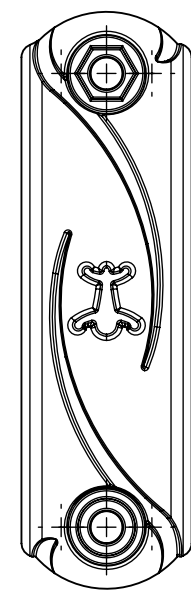
J 6HF, L()



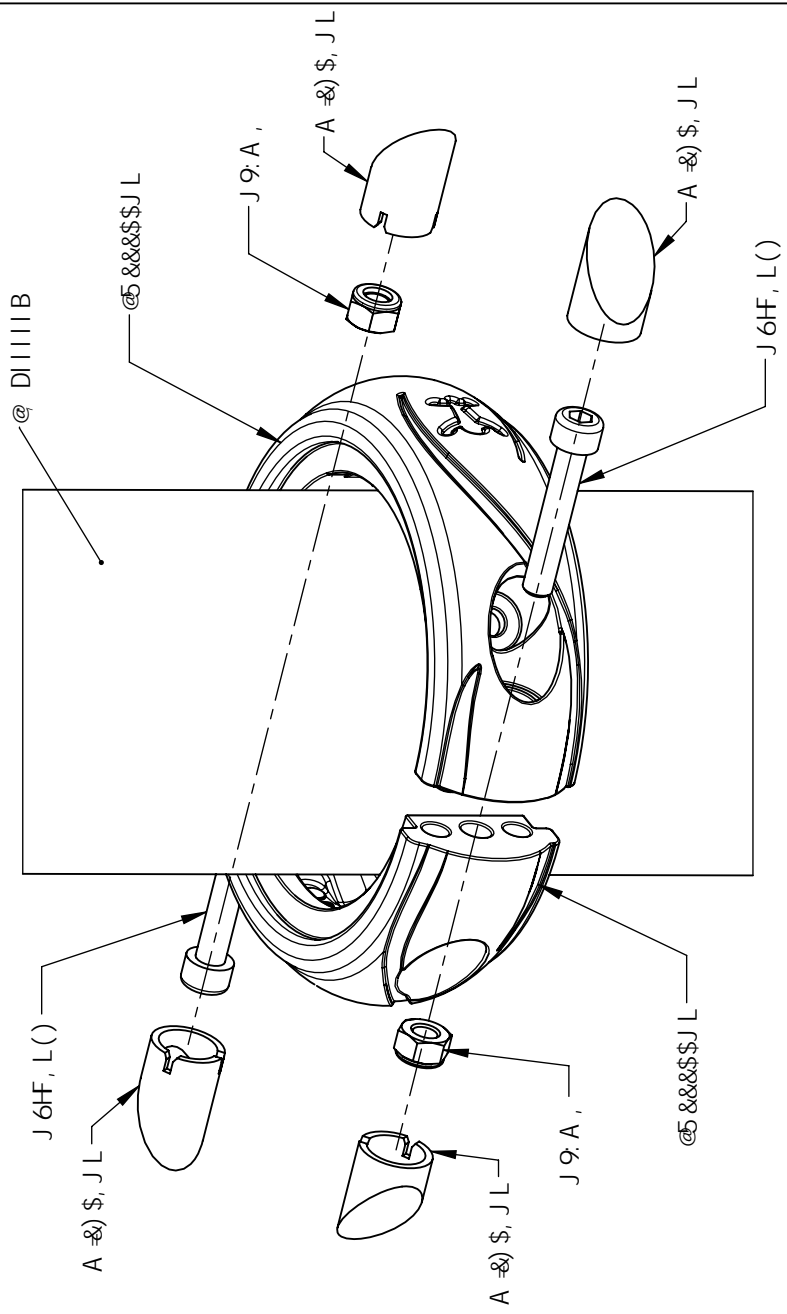
A -8) \$, J L

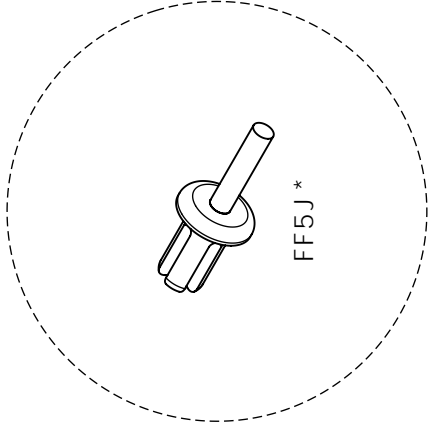
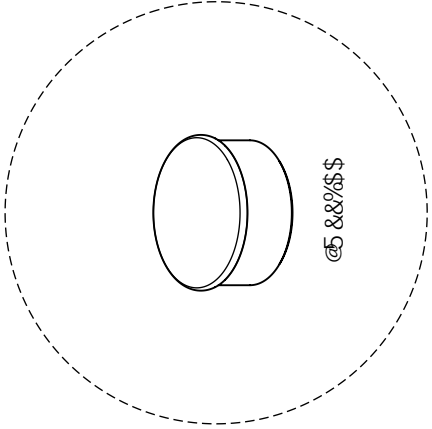
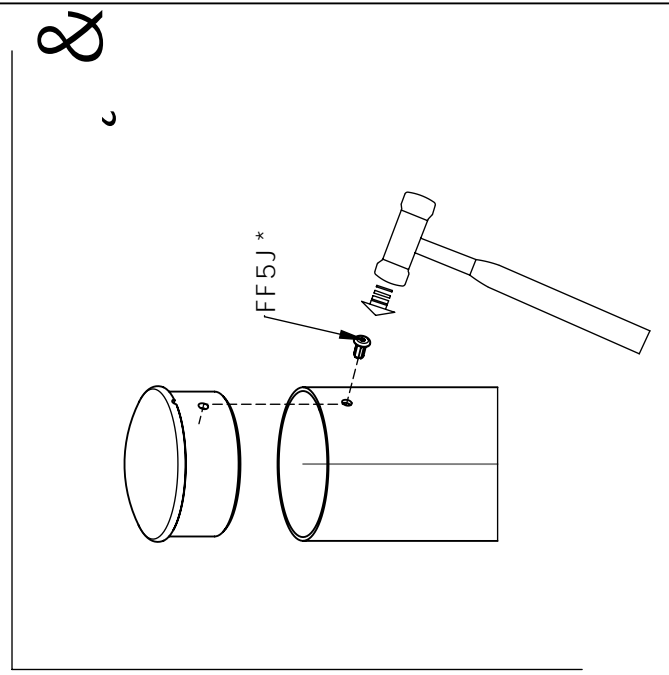
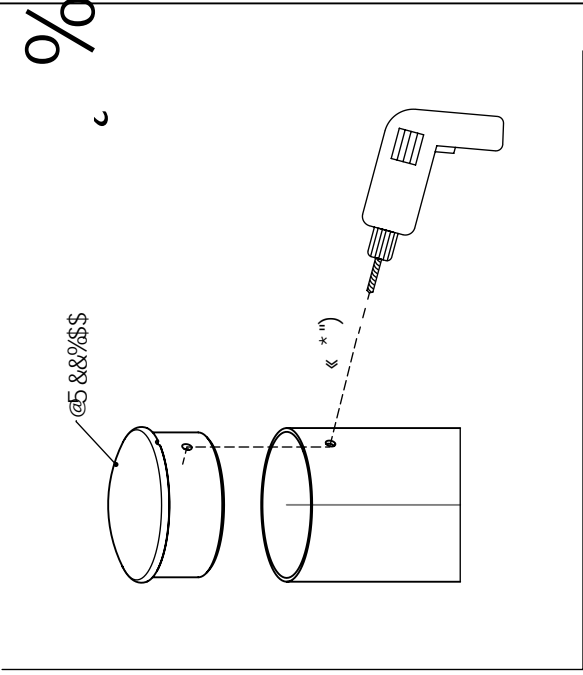
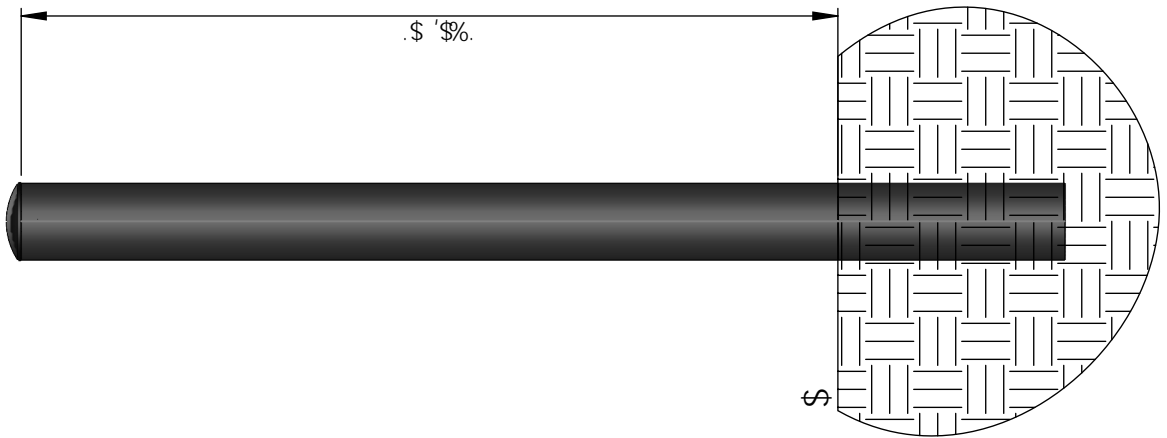


J 9: A,

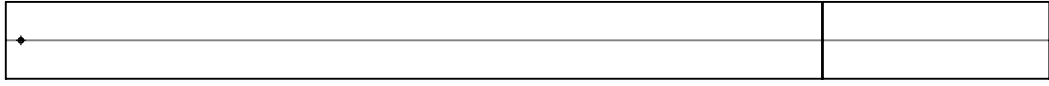


@5 &&&&\$J L

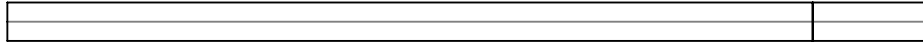
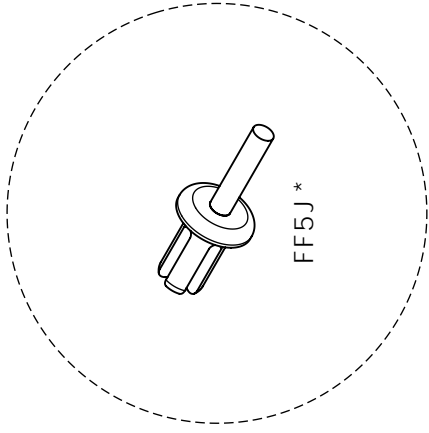
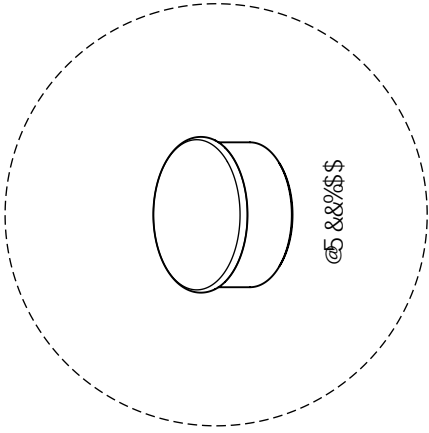
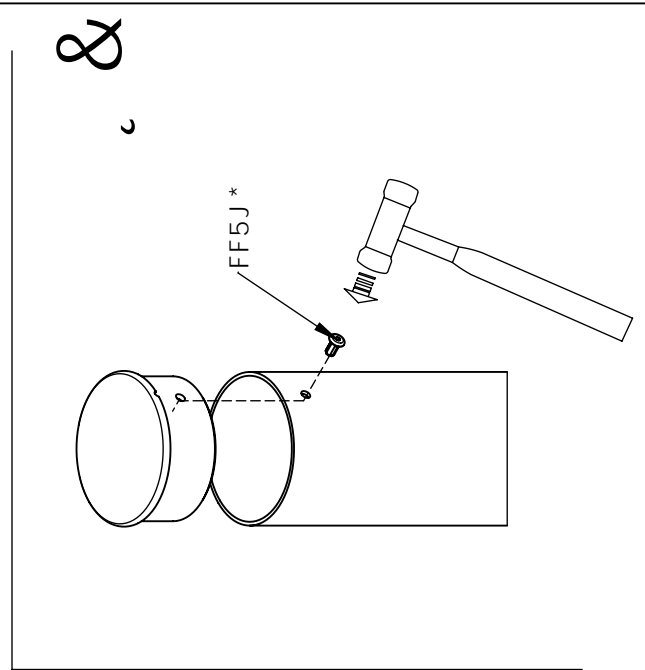
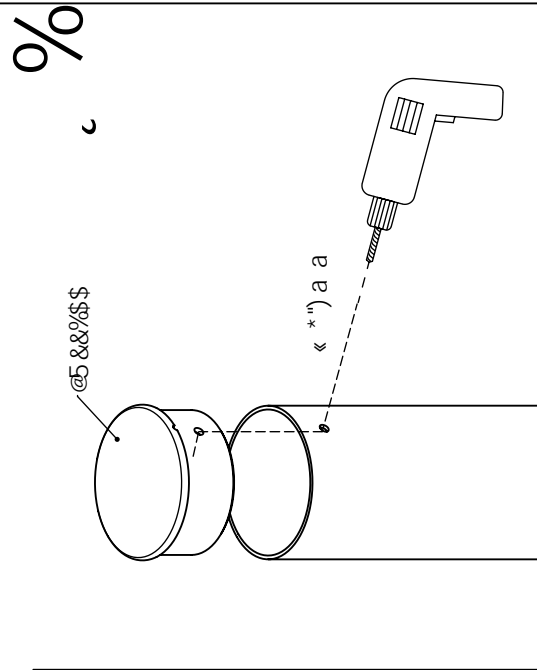
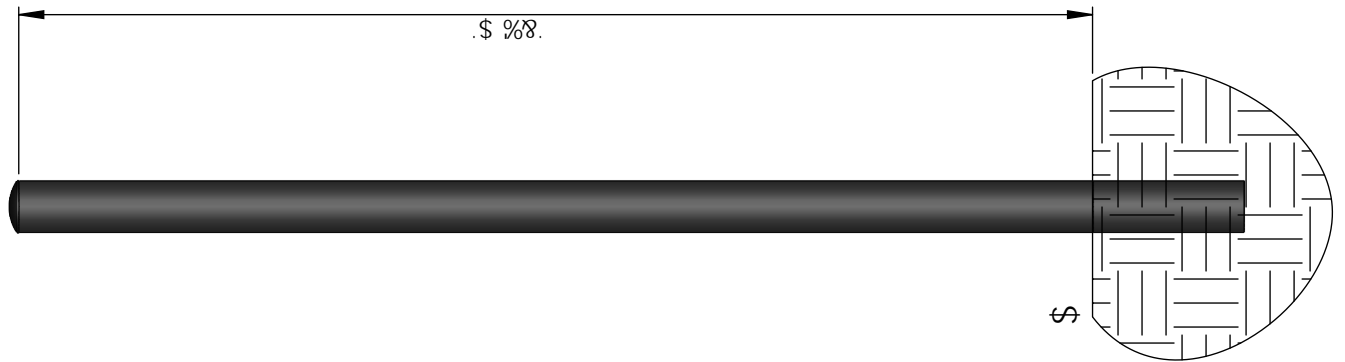




@ D&&\$(B



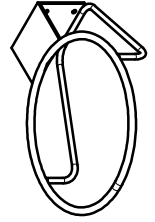
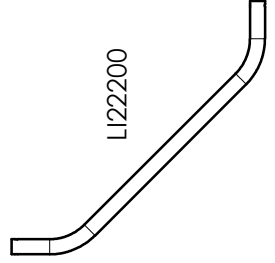
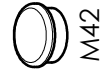
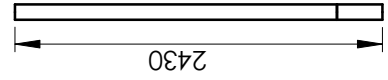
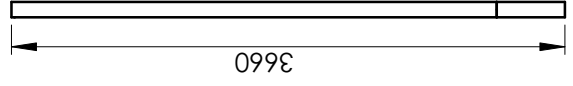
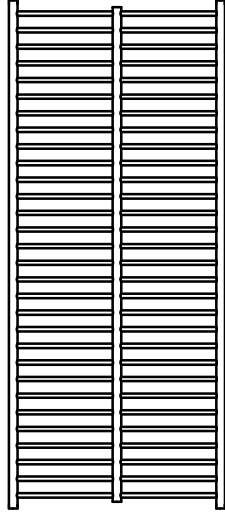
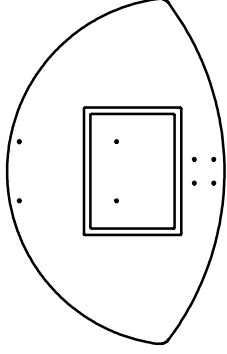
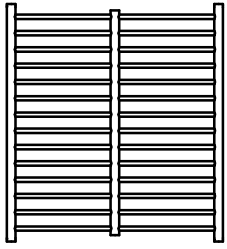
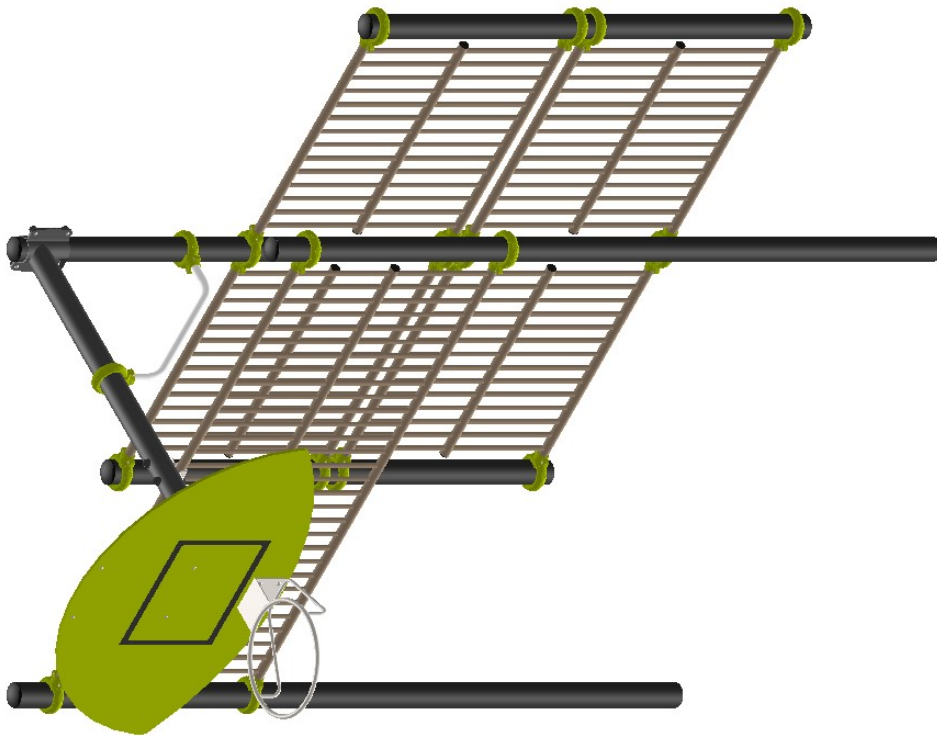
FfZ	E hf
@ &&\$(	%
@ D&&\$(B	%
FF5J *	%



D&&\$) B

FfZ	E i U
5 &&\$	bhfy
FF5J *	%
D&&\$) B	%





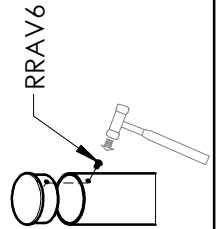
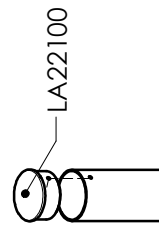
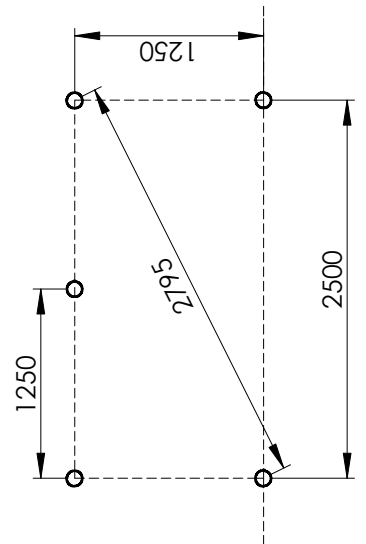
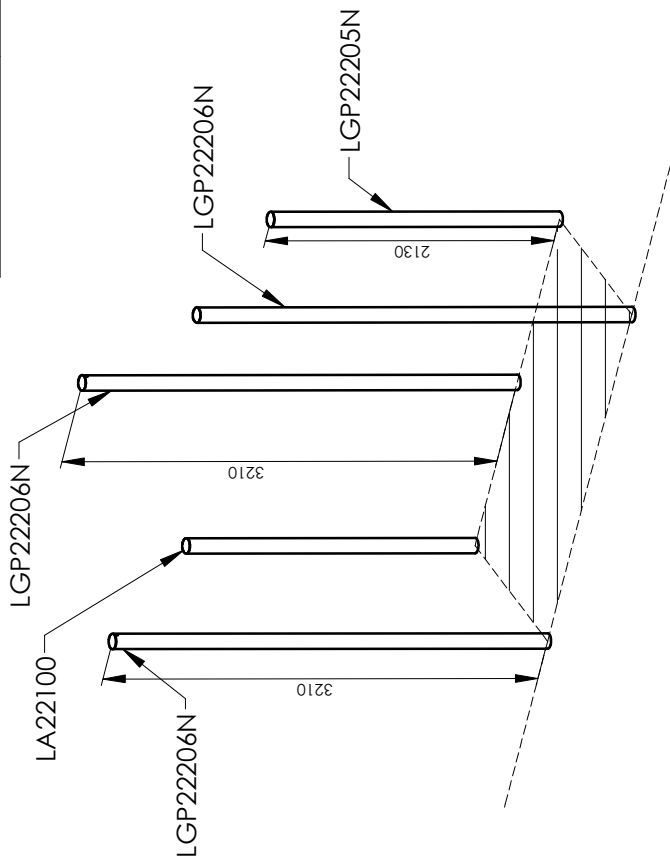
LGP22206N

LGP22205N

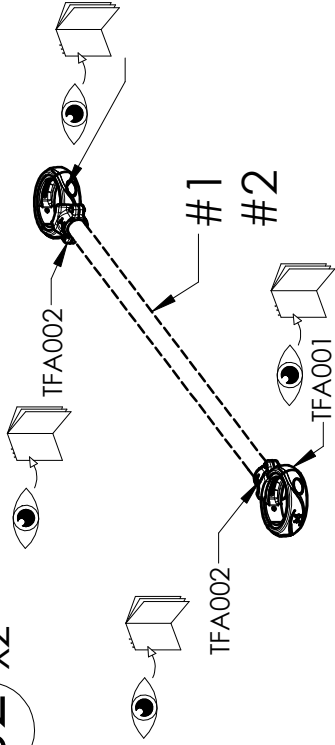
Réf	Qté
ET22200VX	1
LA22100	5
LA22200VX	36
LA22201VX	44
LA22203GBE	4
LA22204GBE	1
LGP22201N	1
LGP22202N	1
LGP22205N	2
LGP22206N	3
LI22103	1
LI22200	1
M42	10
M10310N	16
M10440N	16
M12508VX	72
M12701N	2
RBSKT_GALVA	1
RRAV6	5
VBTR8X45	36
VCBHC6x25I	44
VCBHC10x30I	6
VCBHC10x40I	6
VEBM6	44
VEFM8	36
VEFM10	14
VTH10x120	2

01

Réf	Qté
LA22100	5
LGP22205N	2
LGP22206N	3
RRAV6	5

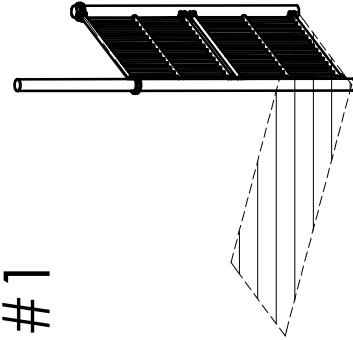


02 x2

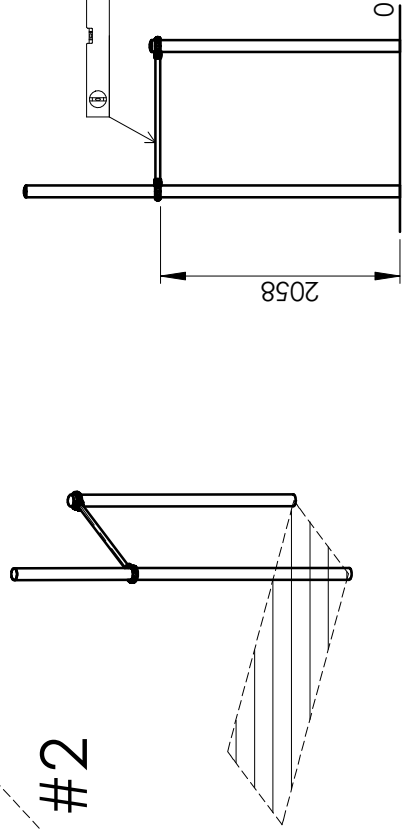


Réf	Qté
LA22200VX	4
MI2508VX	8
VBTR8X45	4
VEFM8	4

#1



#2

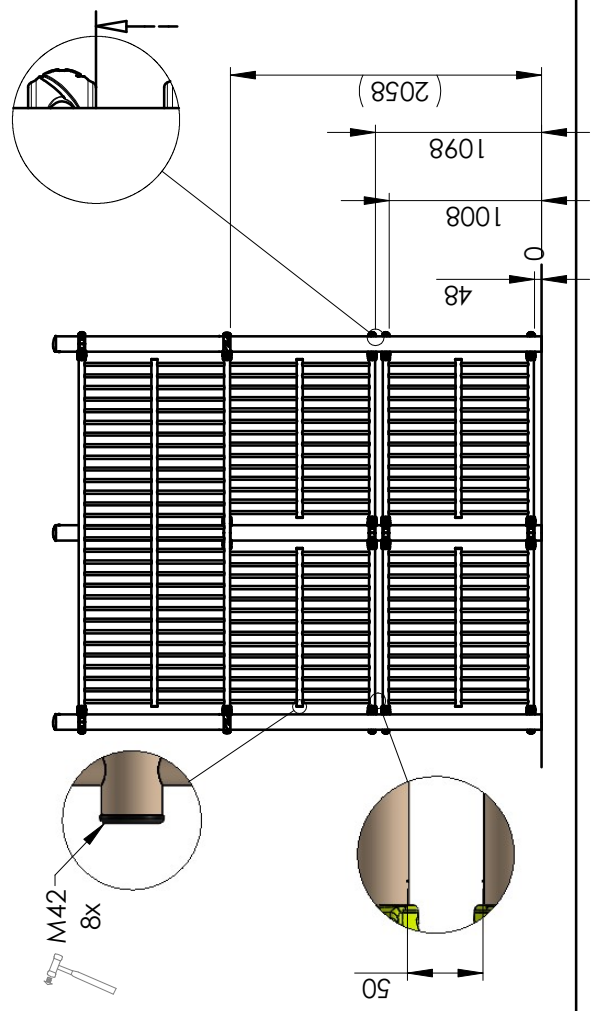
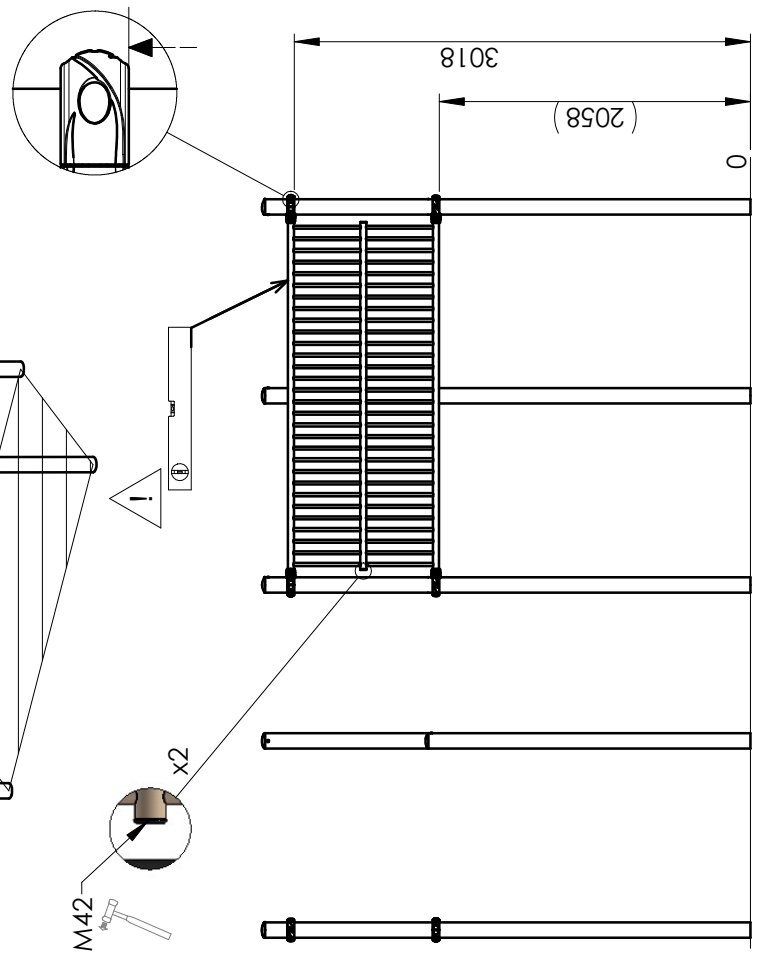
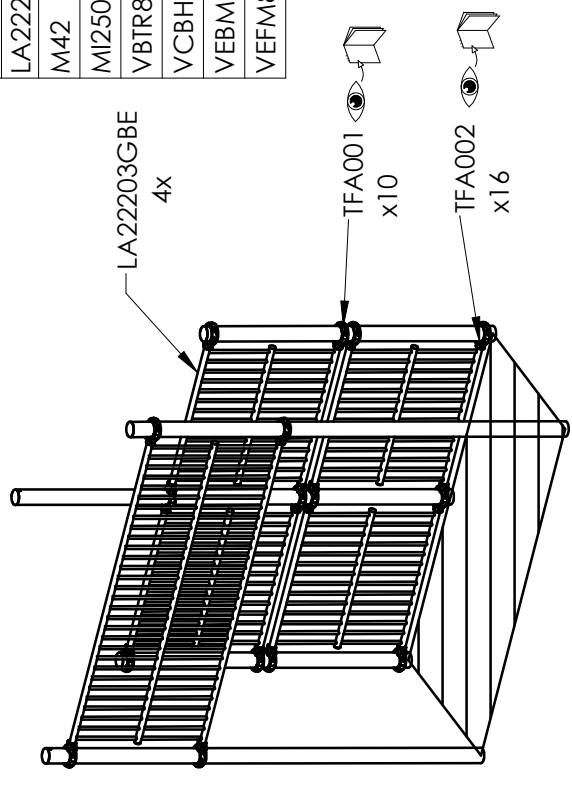
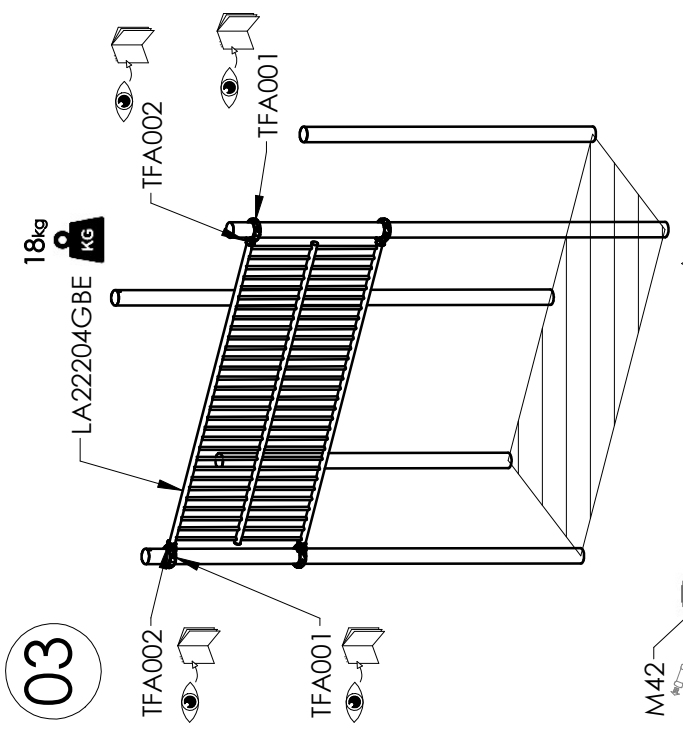


## 03

Réf	Qté
LA22200VX	8
LA22201VX	8
LA22204GBE	1
M42	2
MI2508VX	16
VBTR8X45	8
VCBHCM6x25I	8
VEBM6	8
VEFM8	8

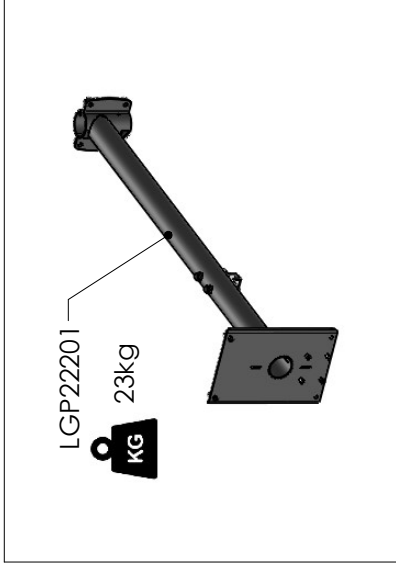
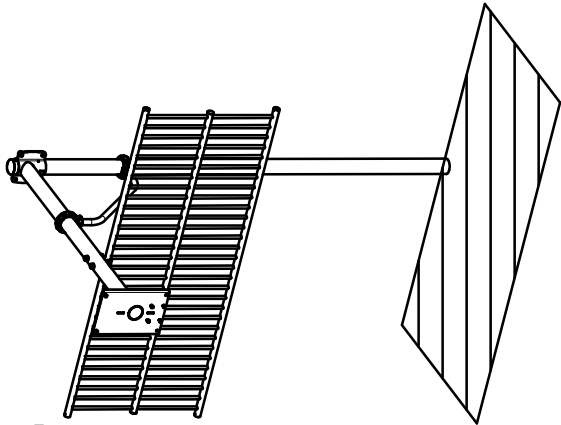
## 04

Réf	Qté
LA22200VX	32
LA22201VX	32
LA22203GBE	4
M42	8
MI2508VX	64
VBTR8X45	32
VCBHCM6x25I	32
VEBM6	32
VEFM8	32

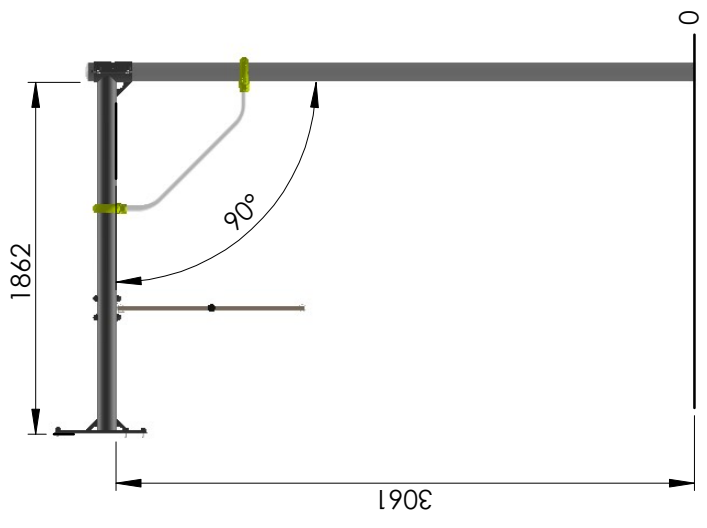
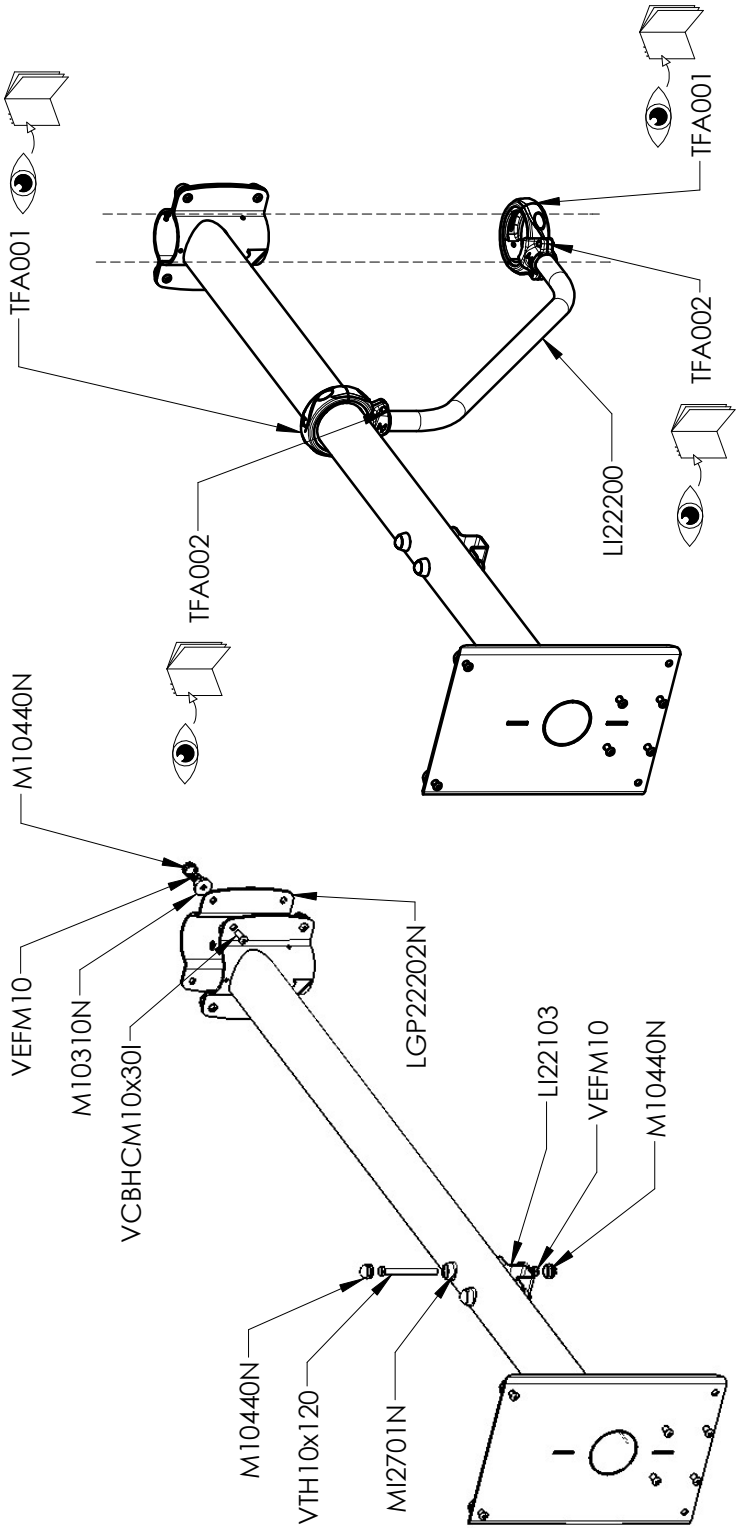




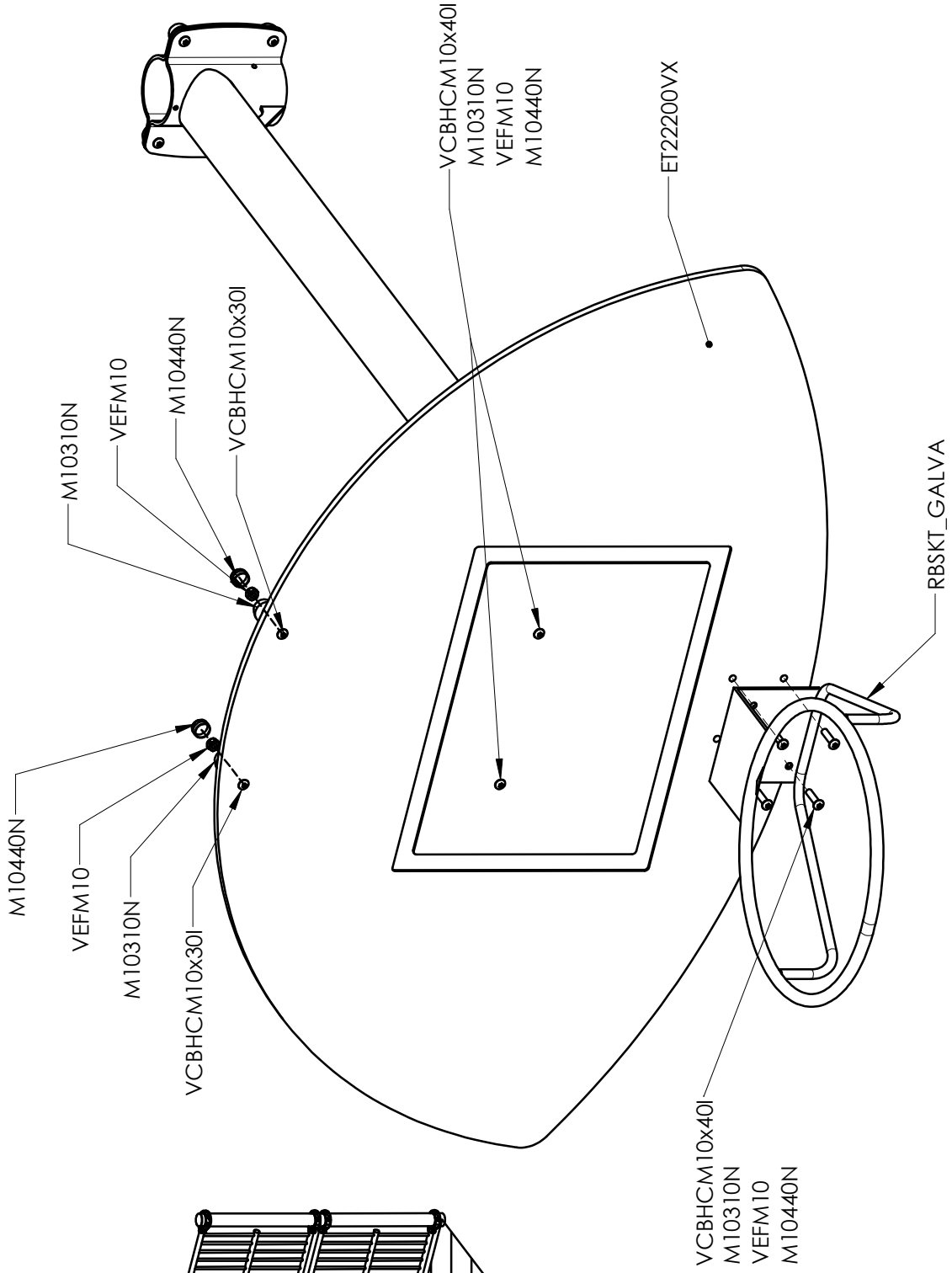
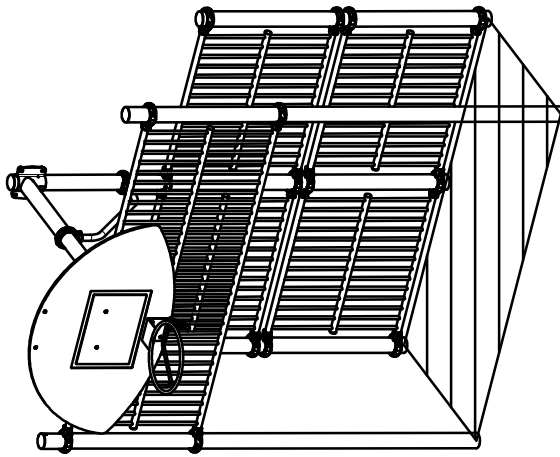
05



Réf	Qté	Réf	Qté
LA22200VX	4	RRAV6	1
LA22201VX	4	VBTR8X45	4
LGP22201IN	1	VCBHC6M6x25I	4
LGP22202N	1	VCBHC10x30I	4
LI22103	1	VCBHC10x40I	6
LI22200	1	VEBM6	4
M10310N	14	VEFM8	4
M10440N	14	VEFM10	12
MI2508VX	8	VTH10x120	2
MI2701N	2		

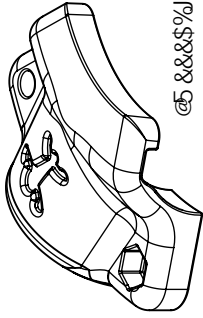


06

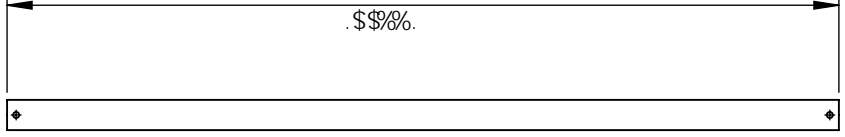


Réf	Qté
ET22200VX	1
M10310N	16
M10440N	16
M12701N	2
RBSKT_GALVA	1
VCBHCM10x30I	6
VCBHCM10x40I	6
VEFM10	14
VTH10x120	2

FzZ	E hf
@5 &&&\$%L	(
@&&&&\$%	%
J 7 6 < 7 A *   & ) =	(
J 96A *	(



@5 &&&\$%L



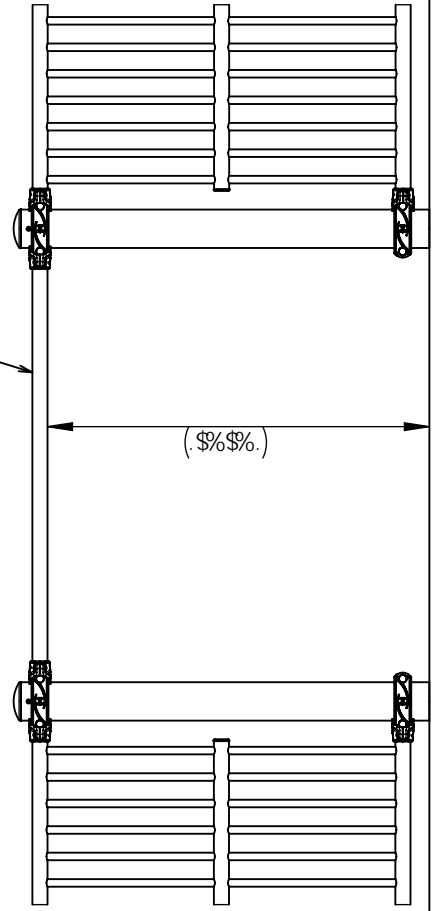
H 5 \$\$&



@&&&\$%



H 5 \$\$&



FfZ	E hf
@5 &&&&\$J L	&
A -8) \$, J L	(
J 6HF, L()	&
J 9: A,	&



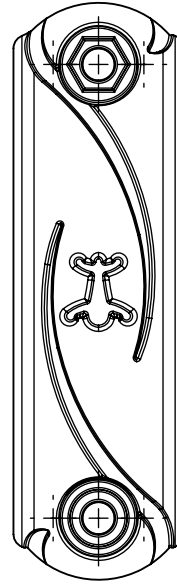
J 6HF, L()



A -8) \$, J L



J 9: A,



@5 &&&&\$J L

