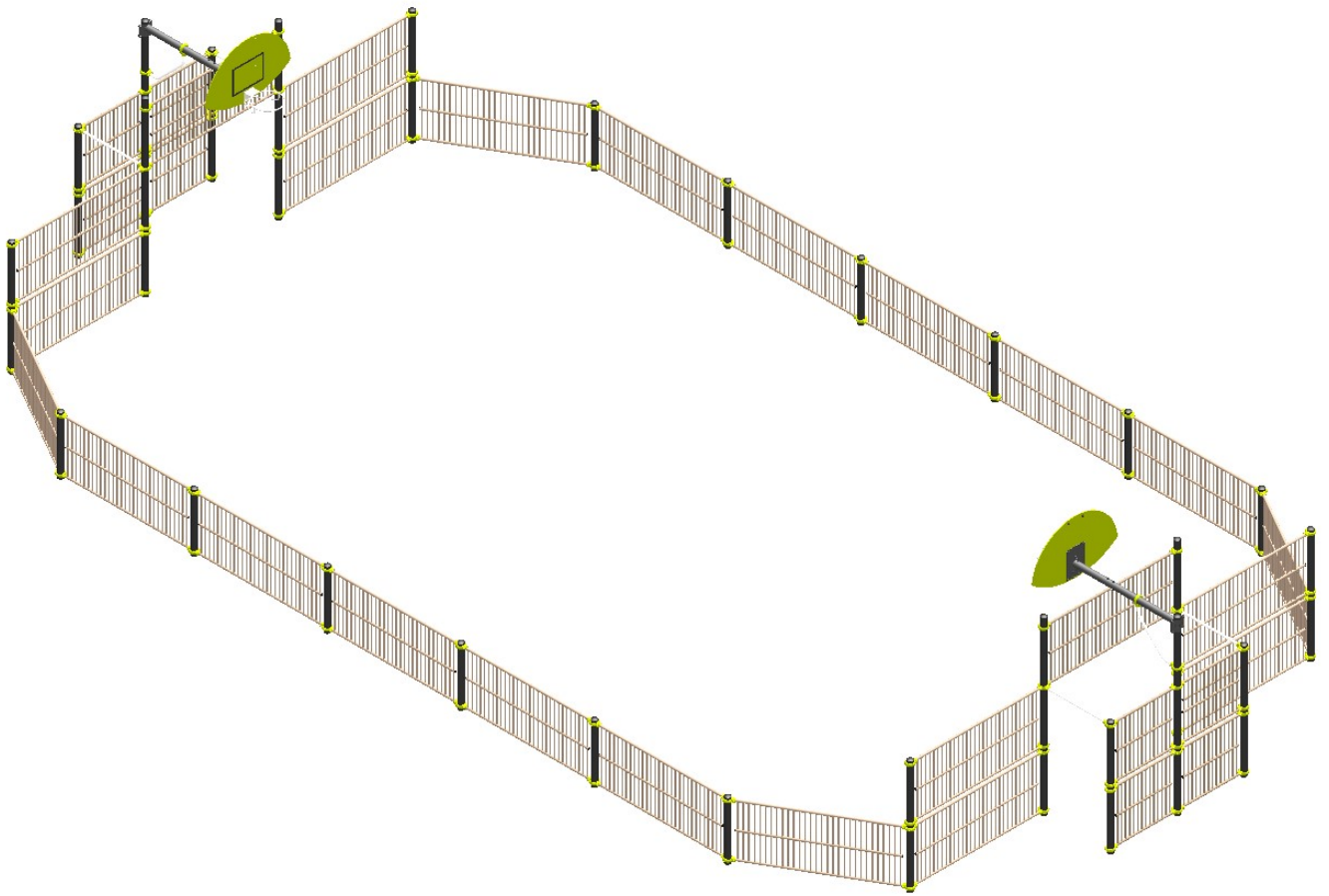


J22203A

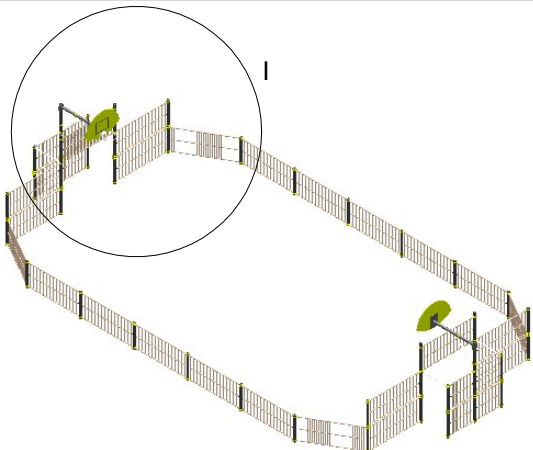
Pro ludic



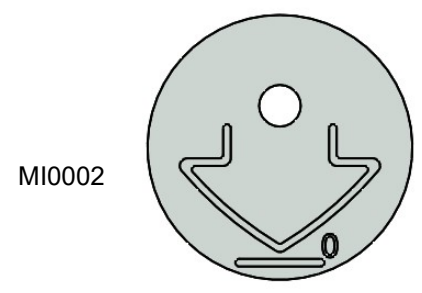
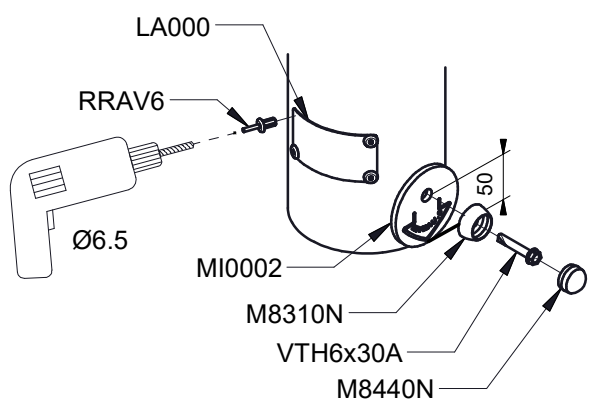
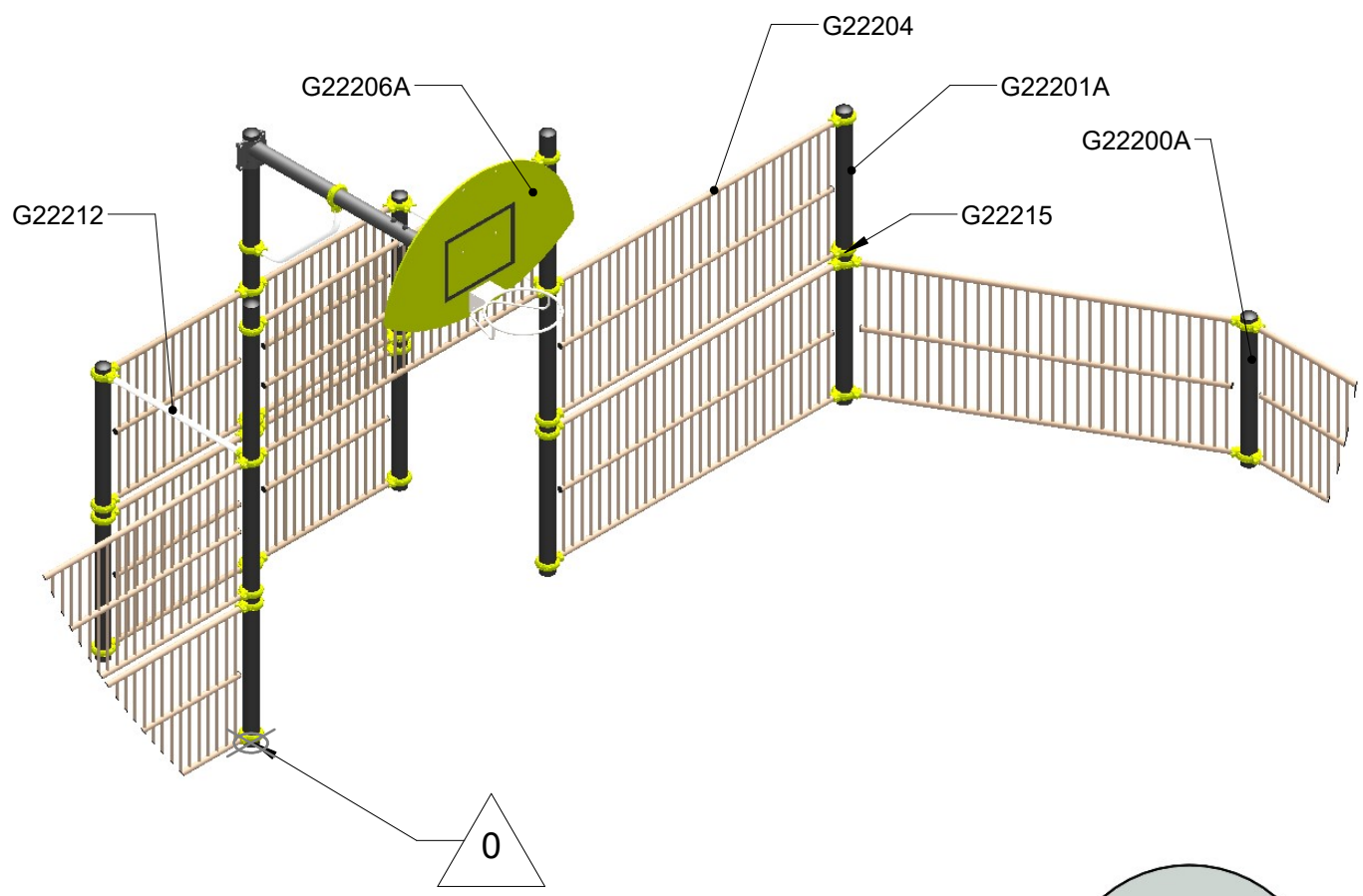
EN15312 MULTISPORT

01/04/2020

Réf	Qté
G22200A	12
G22201A	4
G22204	22
G22206A	2
G22215	52
G22212	4

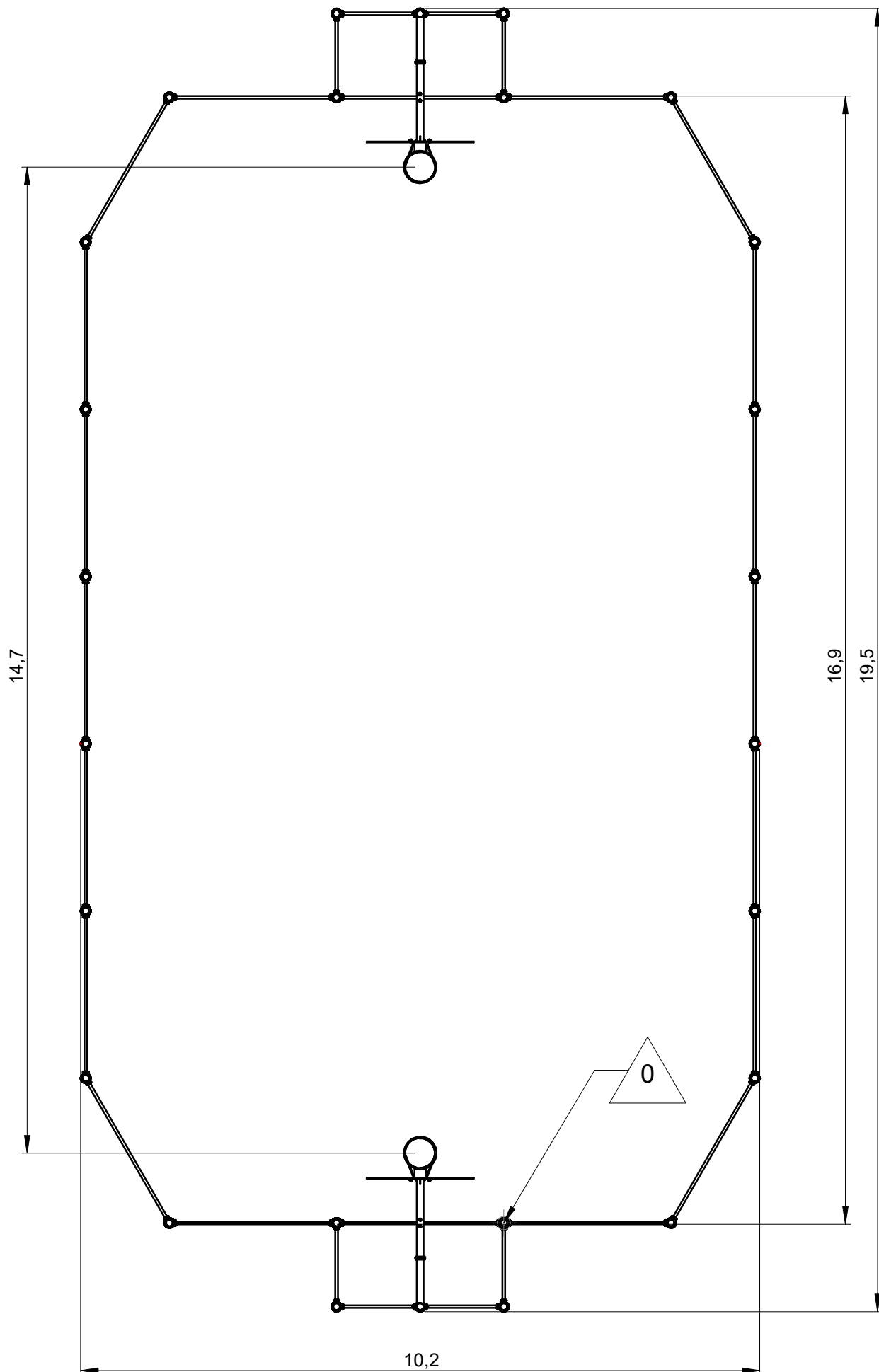


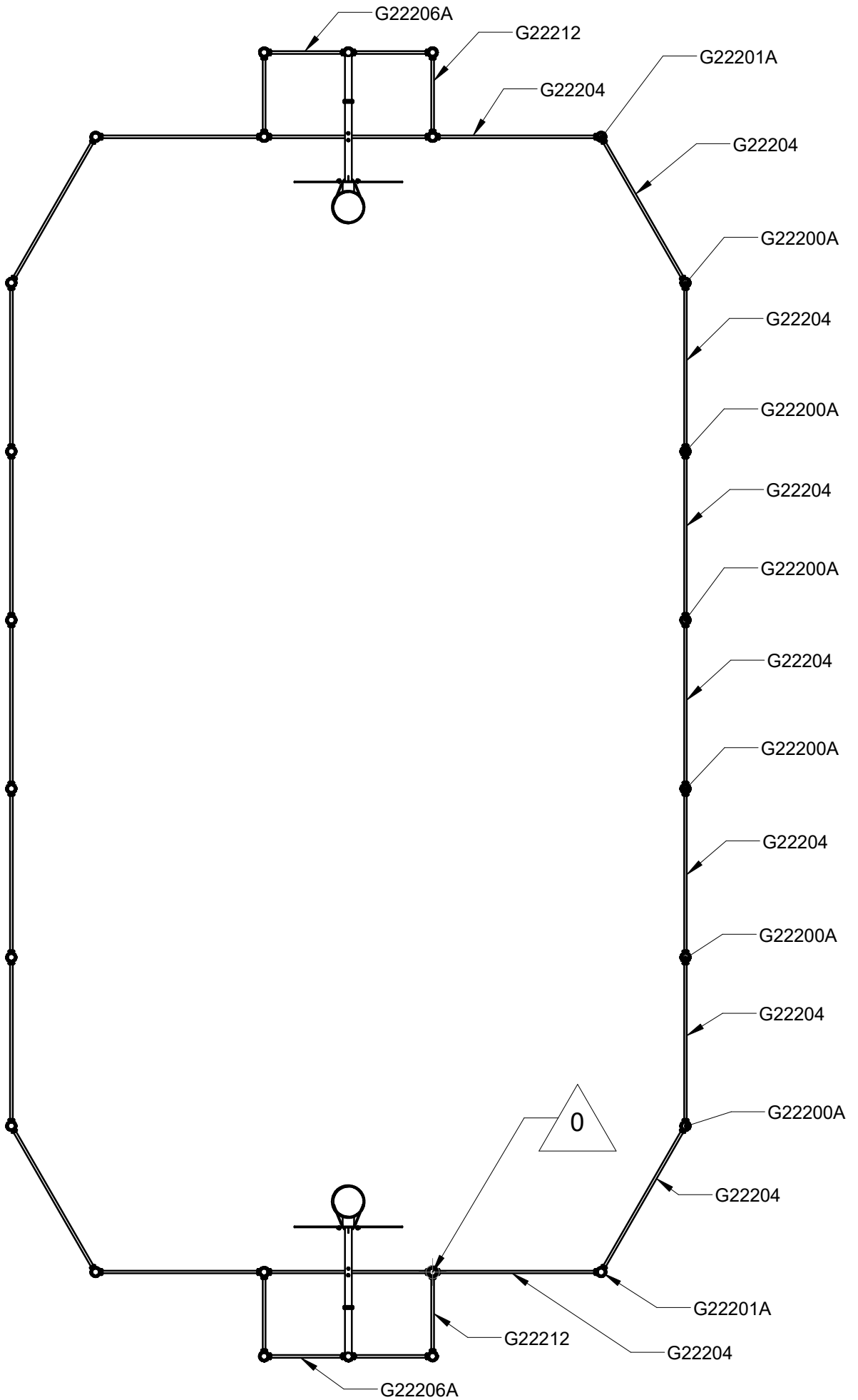
DÉTAIL I
ECHELLE 1 : 45

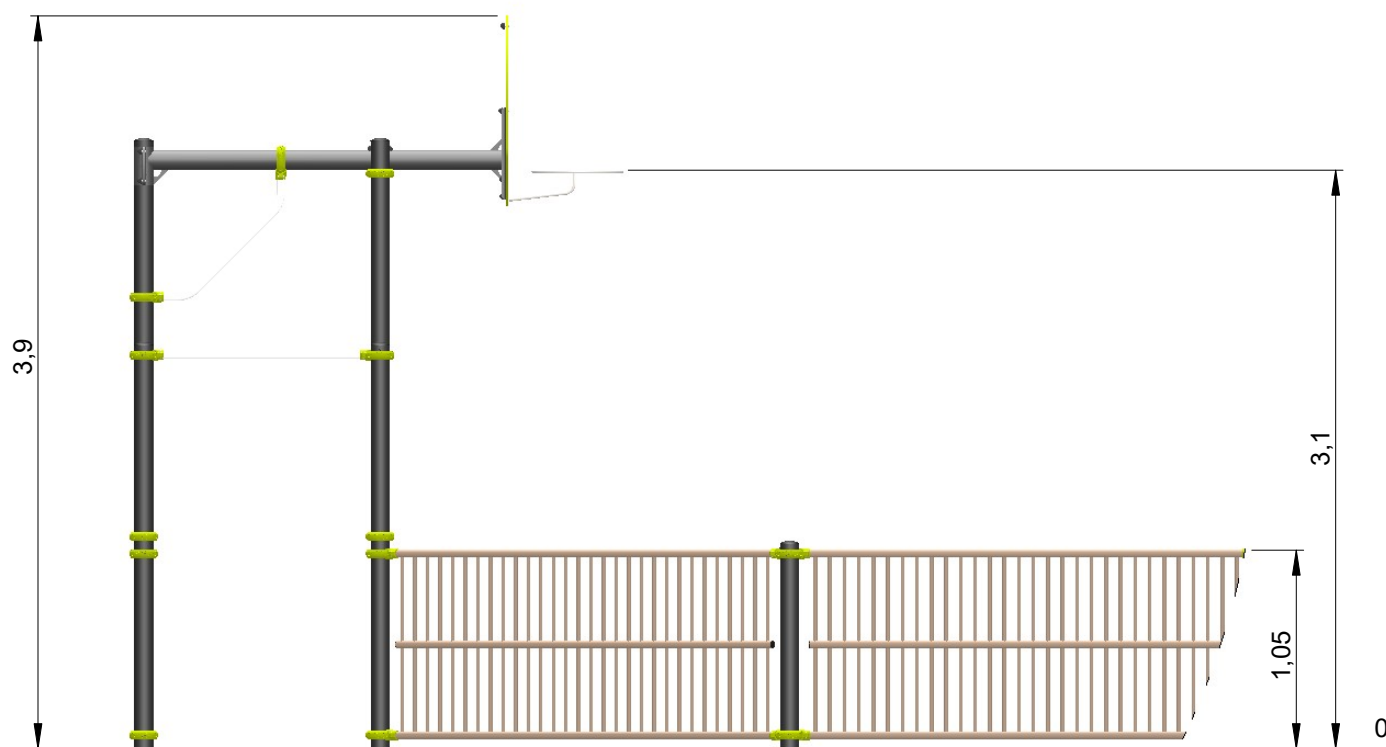
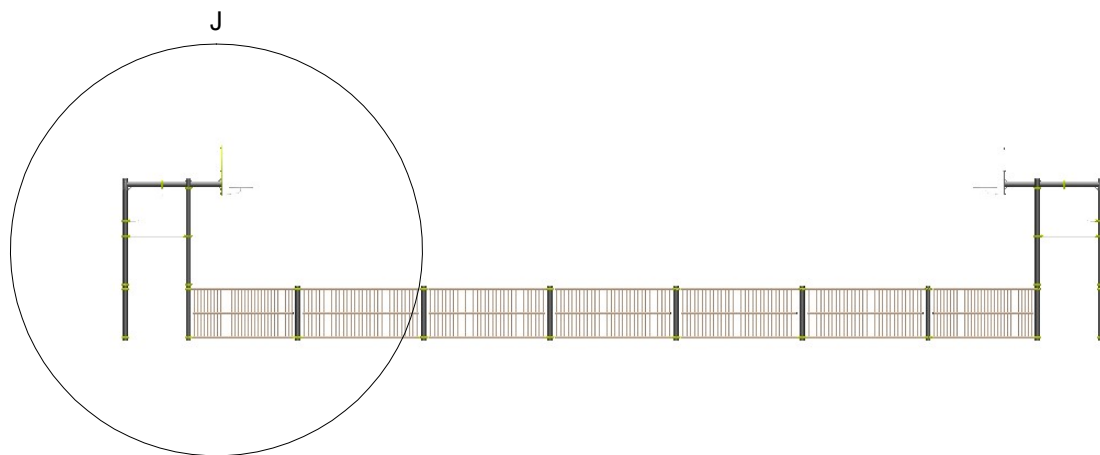


MI0002

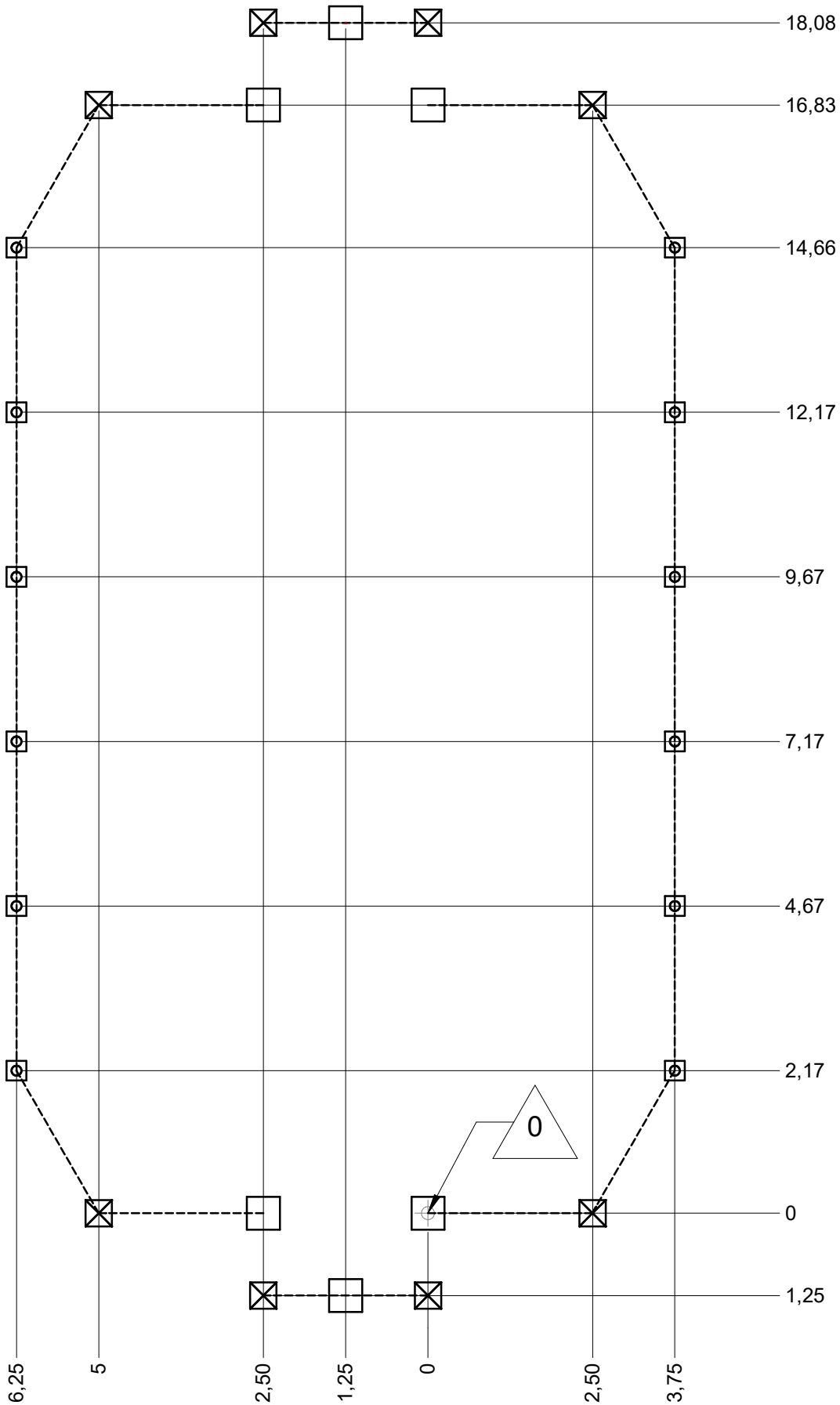
LA000







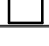


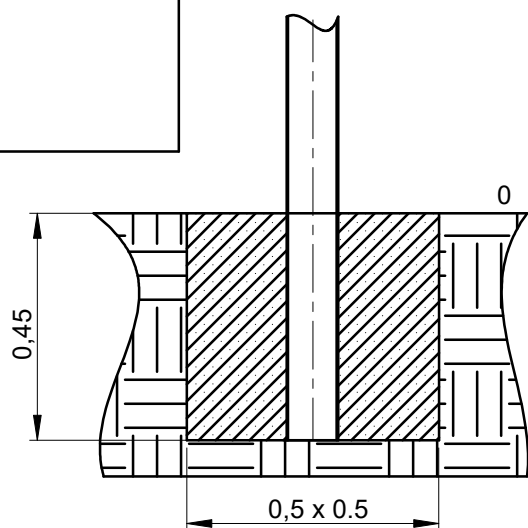
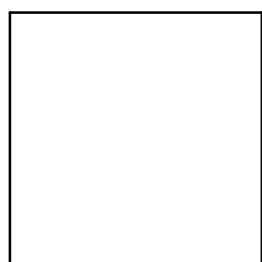
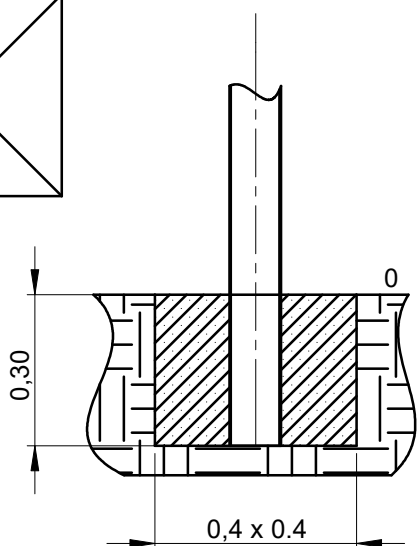
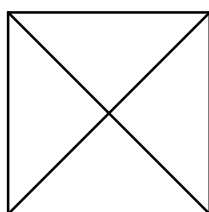
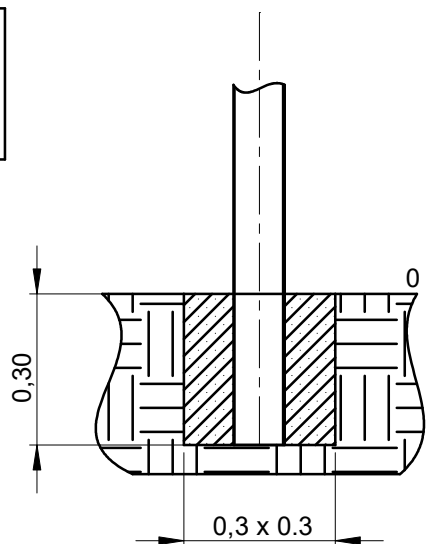
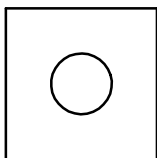
DÉTAIL J
ECHELLE 1 : 40



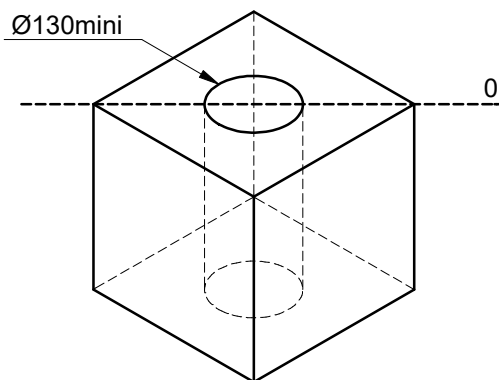
Implantation
 Footing plan
 Implantación
 Fundamentplan
 Funderingstekening

 x3
 24H
 1.5 m³

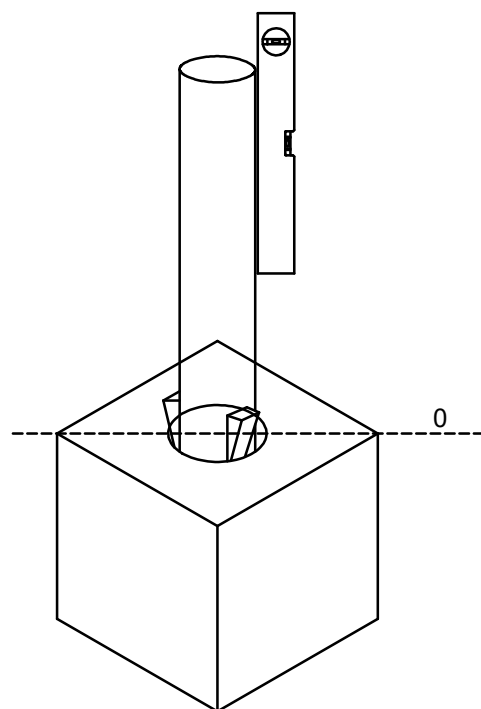
	x	y	z	w
	0.3	0.3	0.3	0.3
	0.4	0.4	0.3	0.3
	0.5	0.5	0.45	0.45



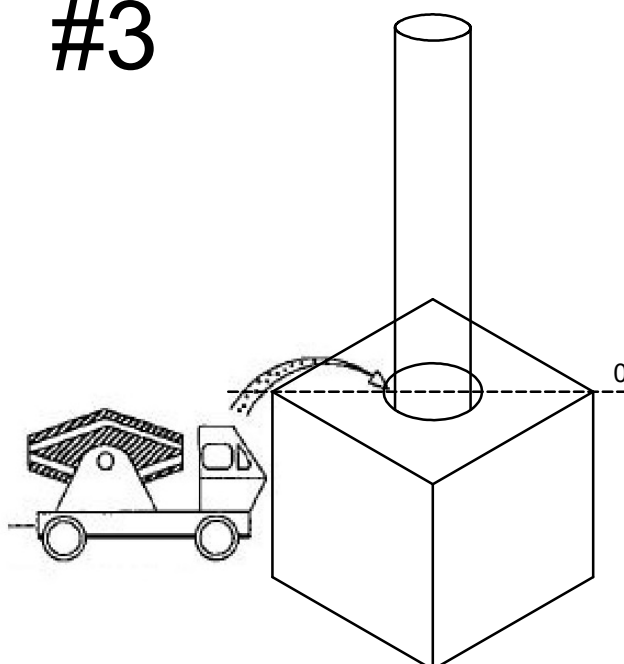
#1

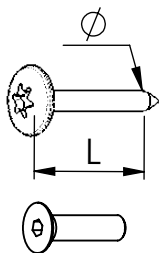


#2



#3





VBT 6 x 30
 \varnothing \uparrow L (mm)

VFHC



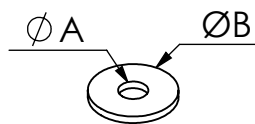
VEC M10
 \varnothing




VEF



VEB




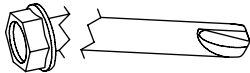
VR6x18
 $\varnothing A$ $\varnothing B$

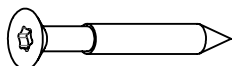


1000 - 1800 tr/min
 Vitesse de rotation
 Rotation speed

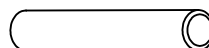
14 N.m
 Couple de rupture
 Torque of break

VTHA 

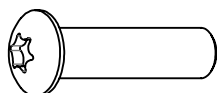




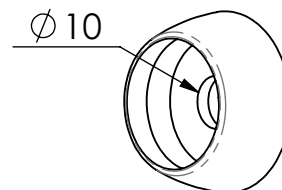
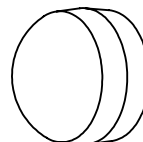
VWT



VGC

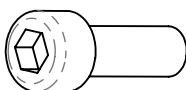


VCBHC

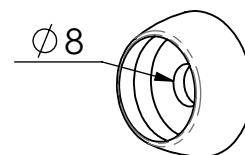
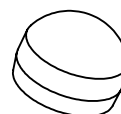


M10 440N

M10 310 N

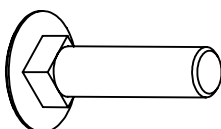


VBTR

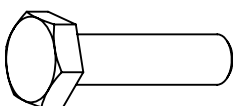


M8440N

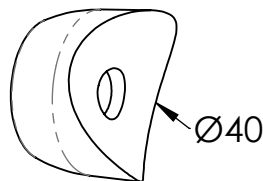
M8310N



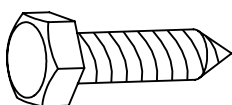
VTRCC



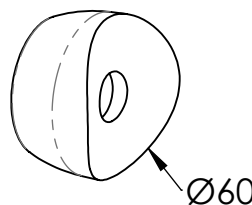
VTH



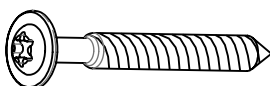
MI2503



VTF

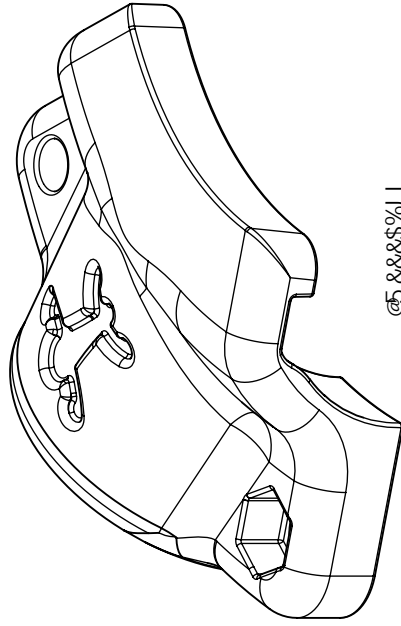
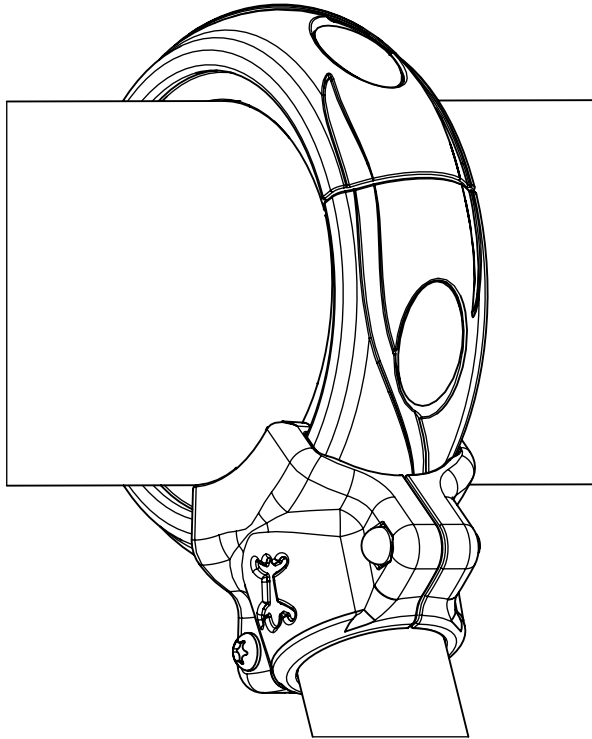


MI2701

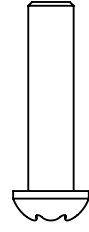
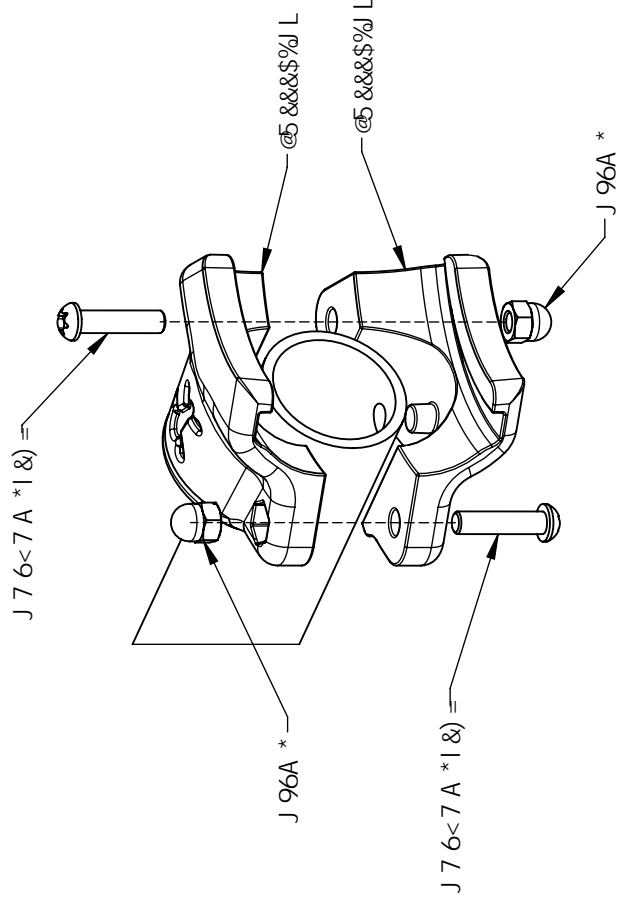


VBT

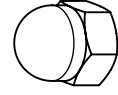
FfZ	E hf
∅ 5 5 5 5 % L	&
J 7 6 < 7 A * &) =	&
J 96A *	&



∅ 5 5 5 5 % L

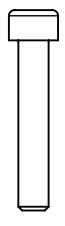


J 7 6 < 7 A * | &) =

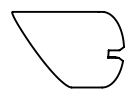


J 96A *

FfZ	E hf
@5 &&&&\$J L	&
A -8) \$, J L	(
J 6HF, L()	&
J 9: A,	&



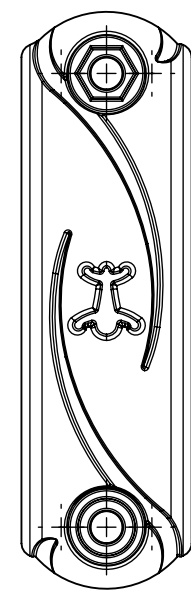
J 6HF, L()



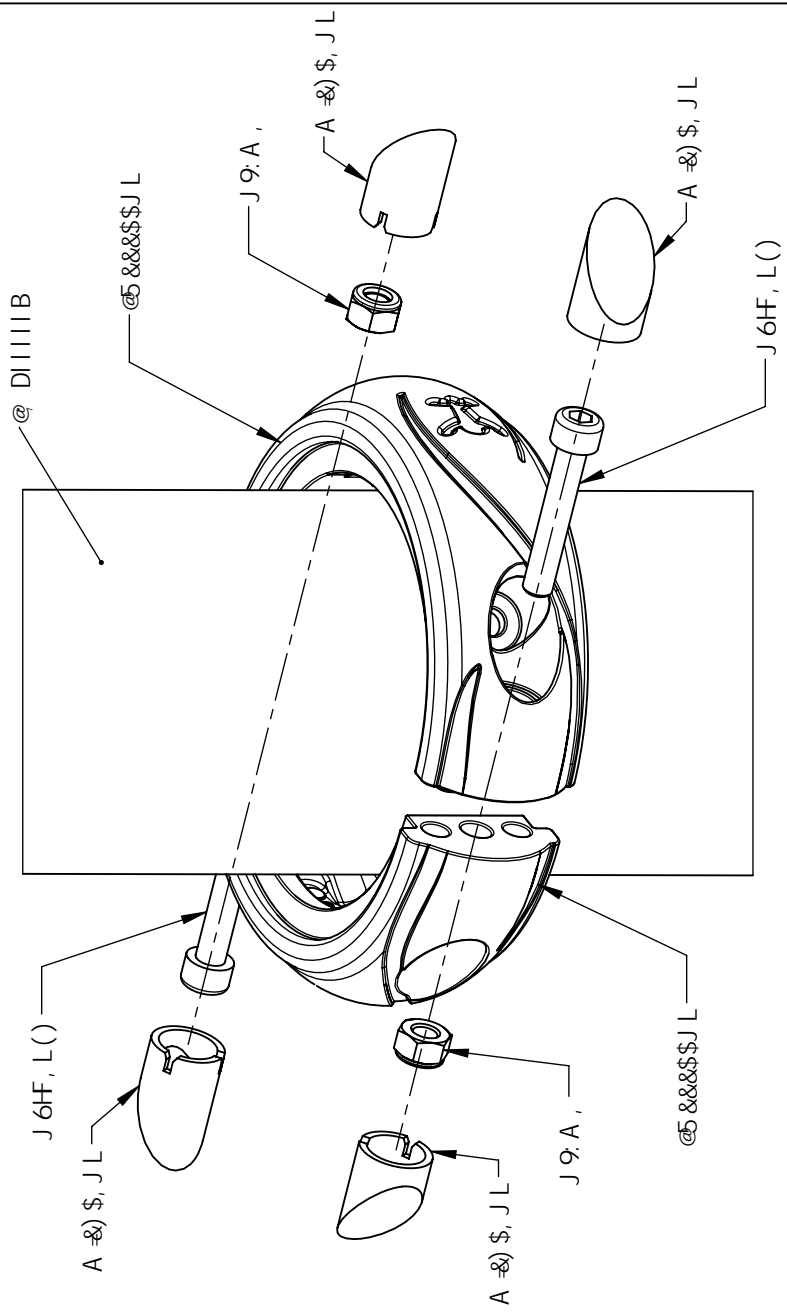
A -8) \$, J L

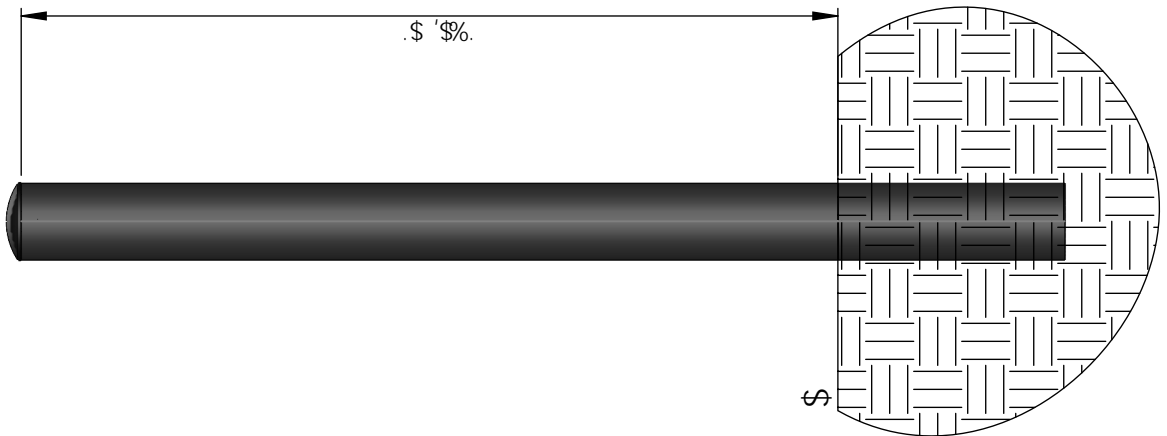


J 9: A,

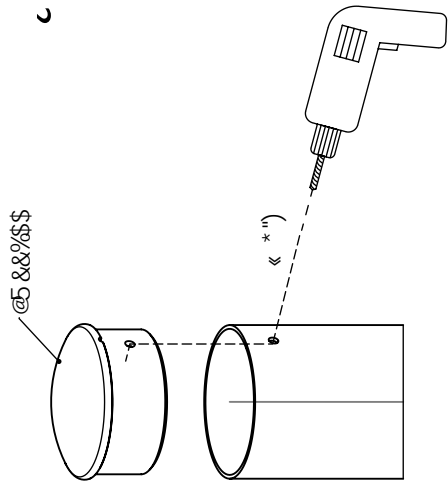


@5 &&&&\$J L

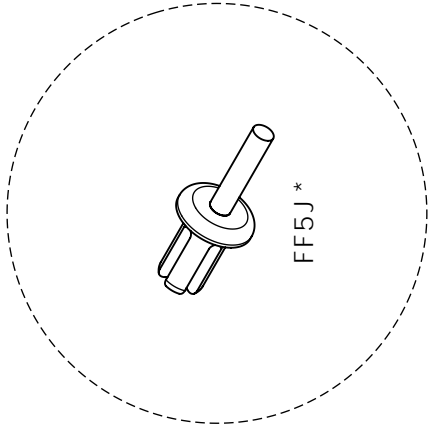
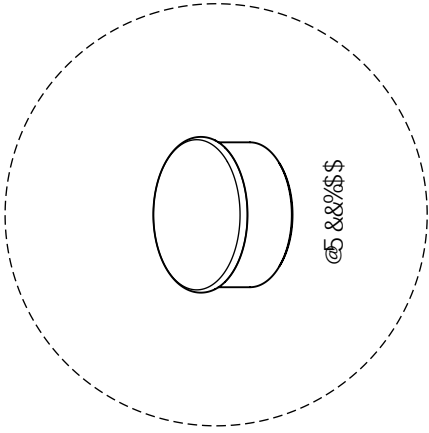
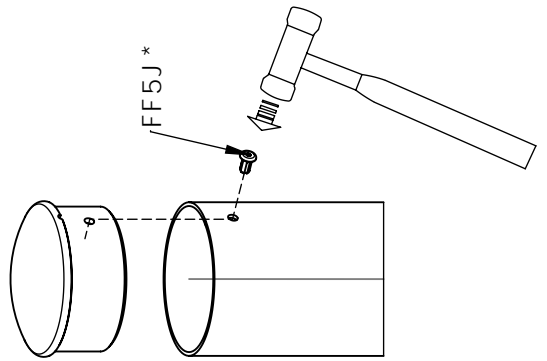




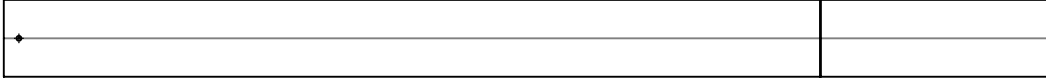
%



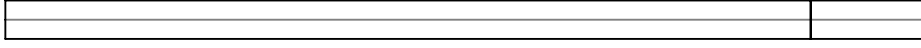
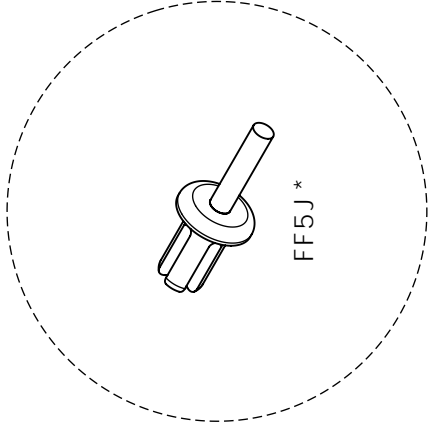
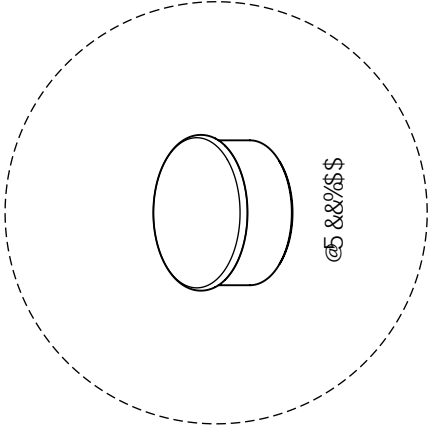
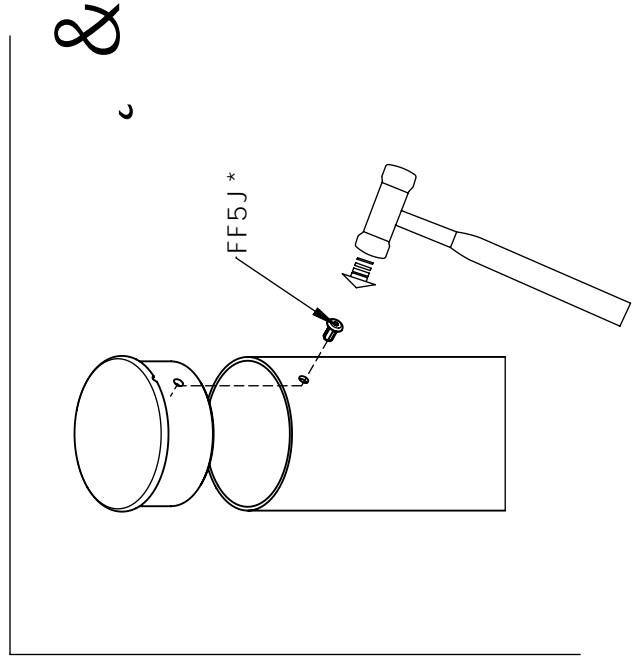
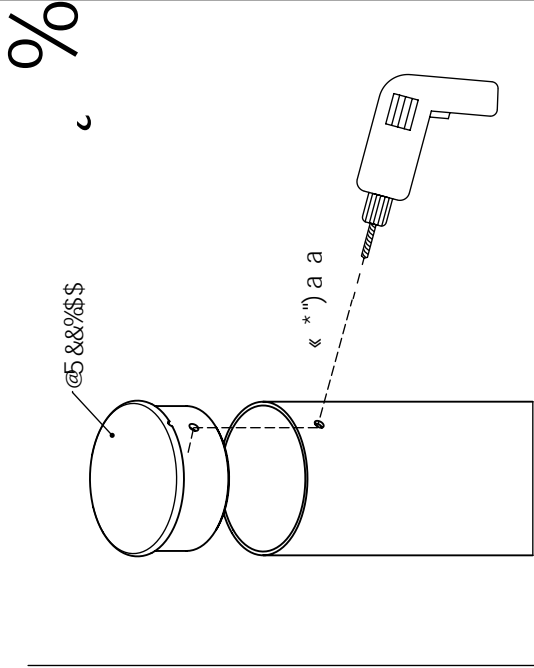
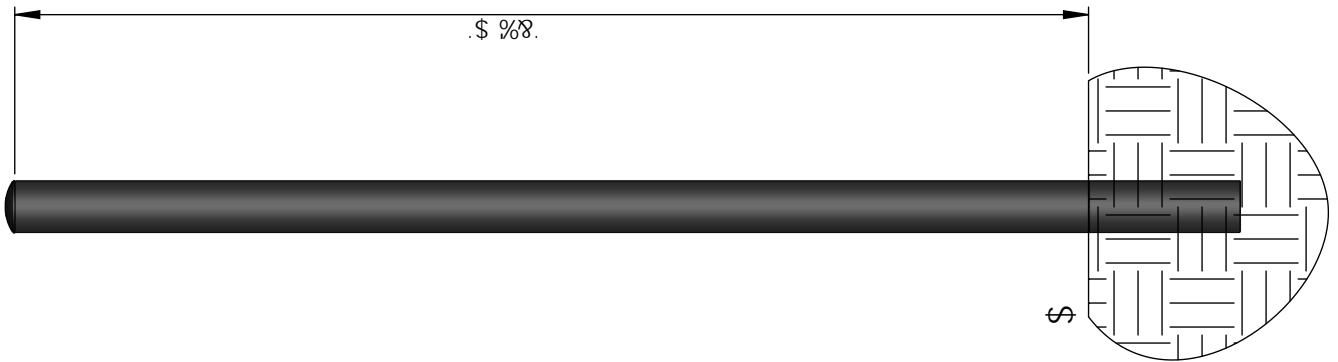
&



@ D&&\$(B

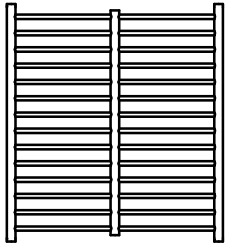
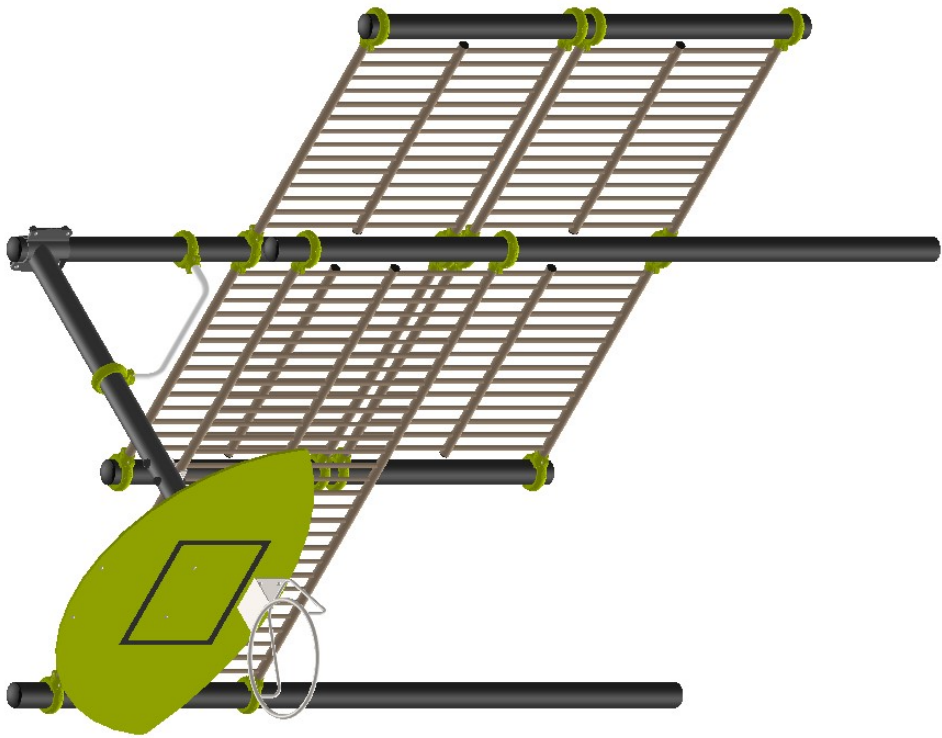


FfZ	E hf
@ &&\$(%
@ D&&\$(B	%
FF5J *	%



D&&\$) B

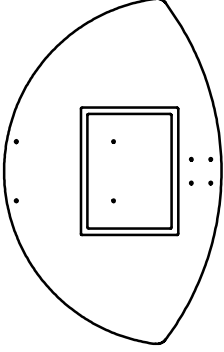
FfZ	E i U
5 &&\$	bhfy
FF5J *	%
D&&\$) B	%



LA22203GBE



LI22103



ET22200VX



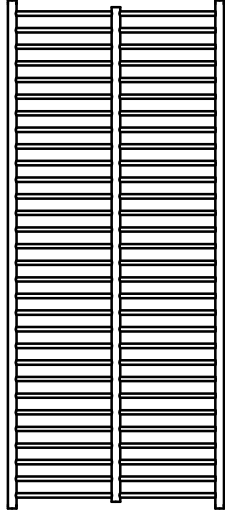
LA22200VX



LA22201VX



LA22100



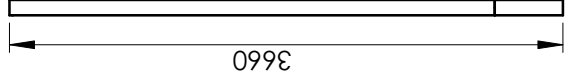
LA22204GBE



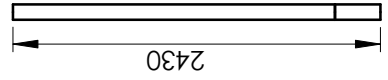
LGP22202N



LGP22201N



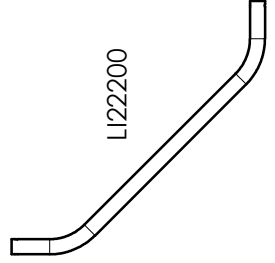
3660



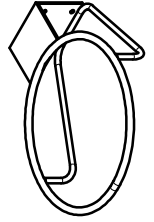
2430



M42



LI22200



RBSKT_GALVA

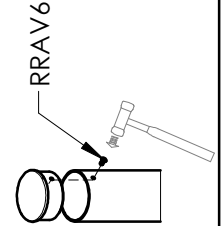
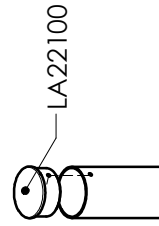
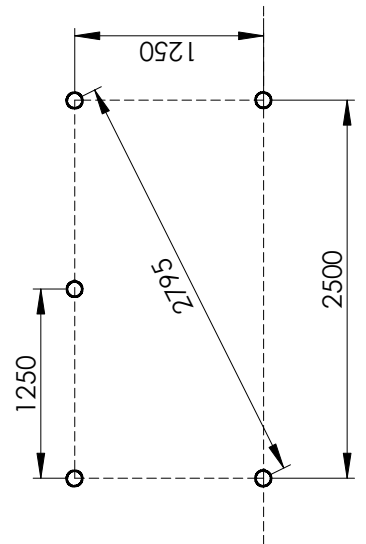
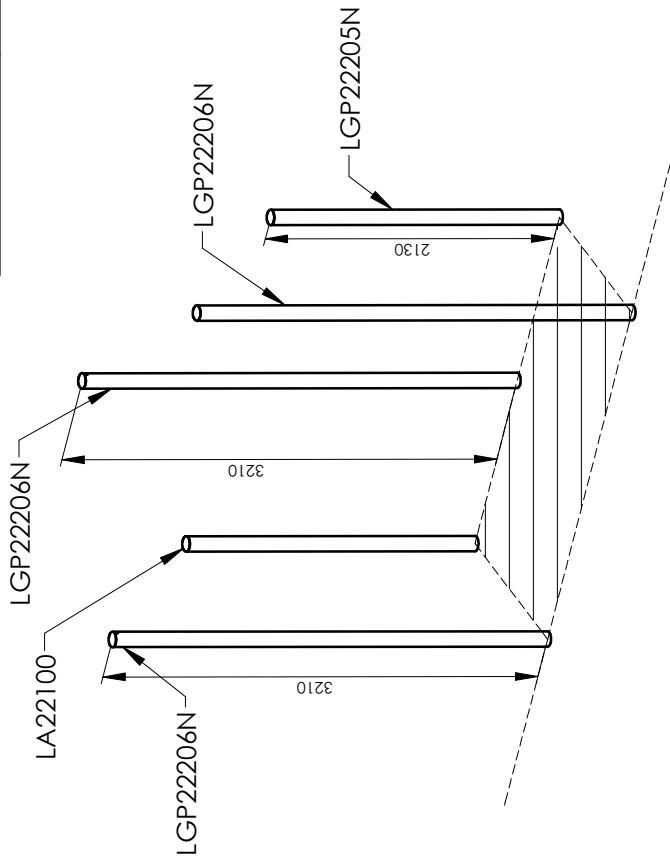
Réf	Qté
ET22200VX	1
LA22100	5
LA22200VX	36
LA22201VX	44
LA22203GBE	4
LA22204GBE	1
LGP22201N	1
LGP22202N	1
LGP22205N	2
LGP22206N	3
LI22103	1
LI22200	1
M42	10
M10310N	16
M10440N	16
M12508VX	72
M12701N	2
RBSKT_GALVA	1
RRAV6	5
VBTR8X45	36
VCBHC6x25I	44
VCBHC10x30I	6
VCBHC10x40I	6
VEBM6	44
VEFM8	36
VEFM10	14
VTH10x120	2

LGP22206N

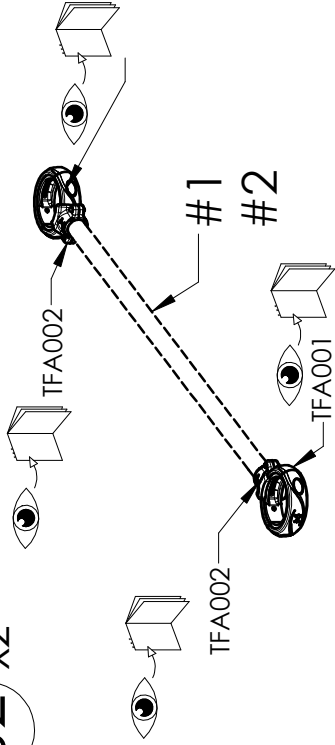
LGP22205N

01

Réf	Qté
LA22100	5
LGP22205N	2
LGP22206N	3
RRAV6	5

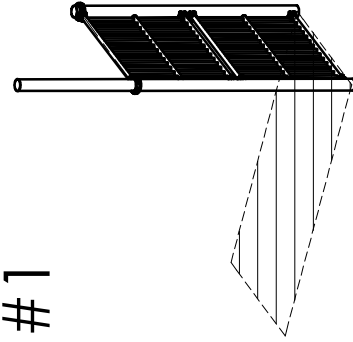


02 x2

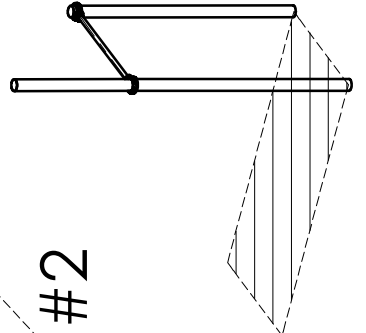


Réf	Qté
LA22200VX	4
MI2508VX	8
VBTR8X45	4
VEFM8	4

#1



#2

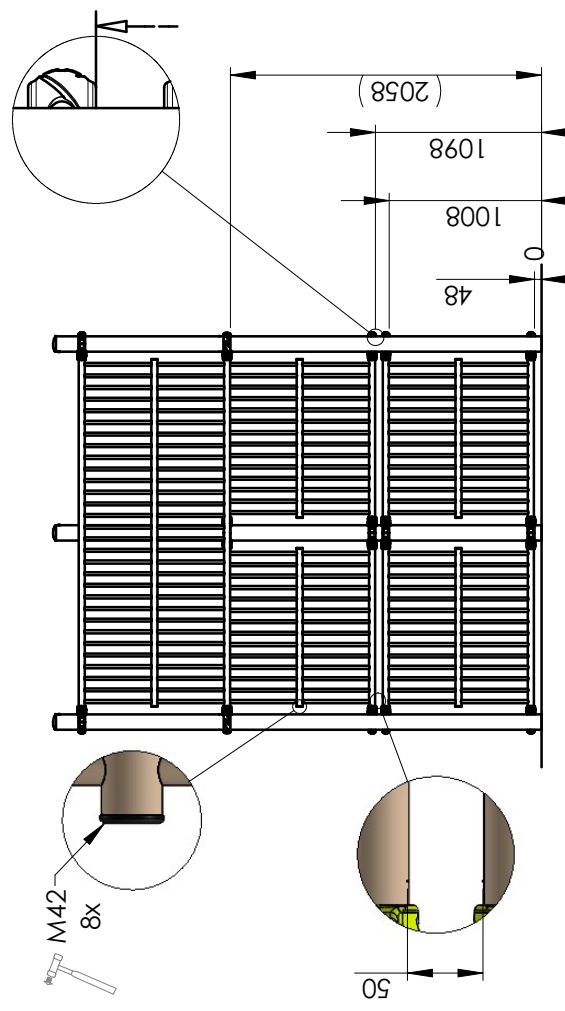
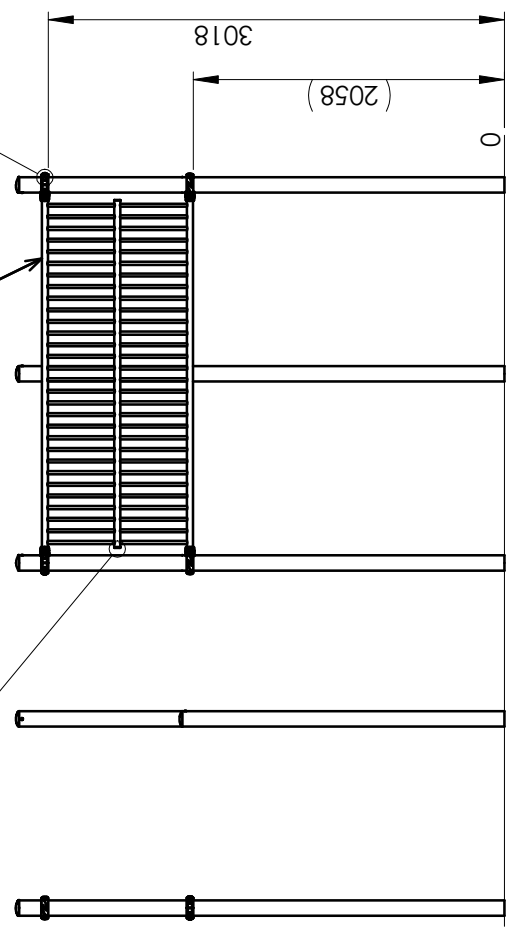
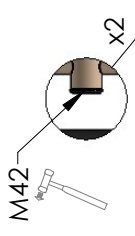
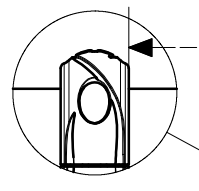
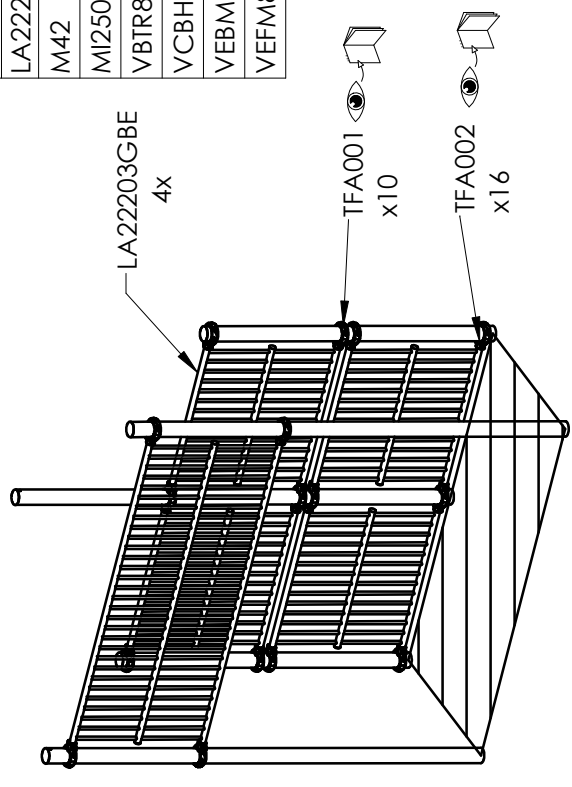
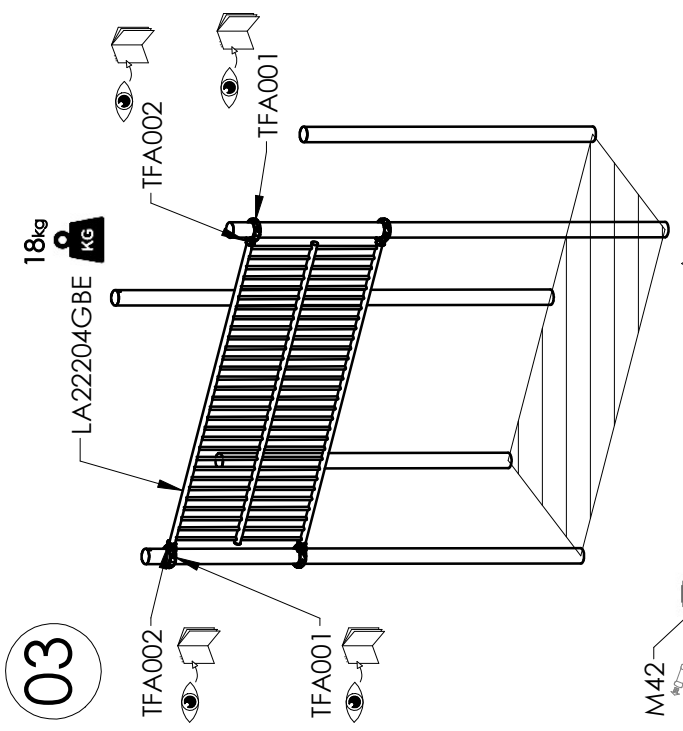


03

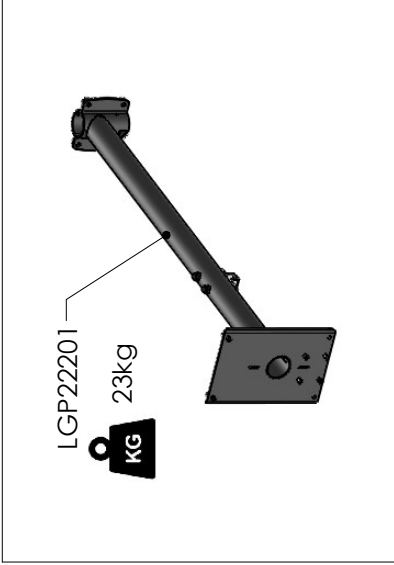
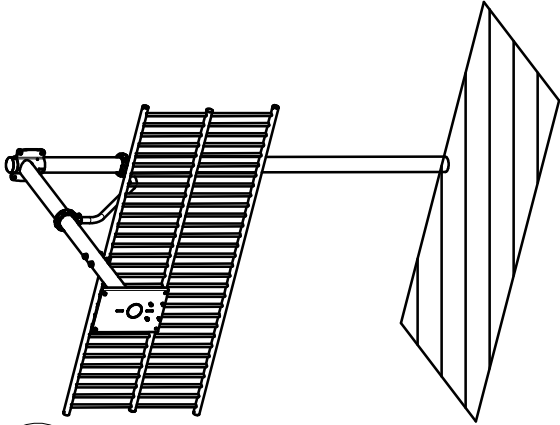
Réf	Qté
LA22200VX	8
LA22201VX	8
LA22204GBE	1
M42	2
MI2508VX	16
VBTR8X45	8
VCBHCM6x25I	8
VEBM6	8
VEFM8	8

04

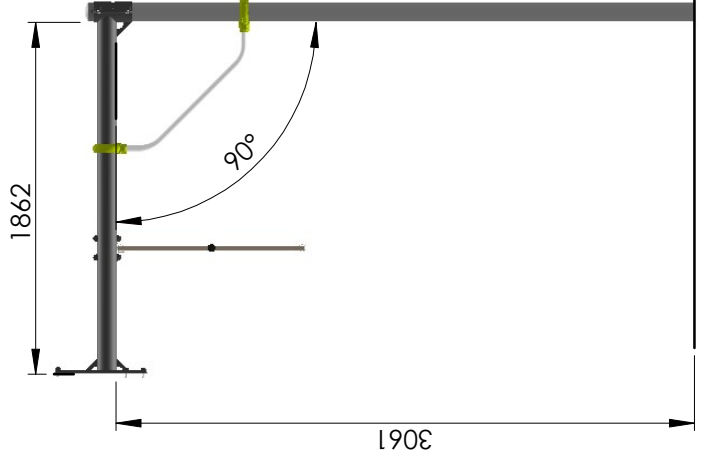
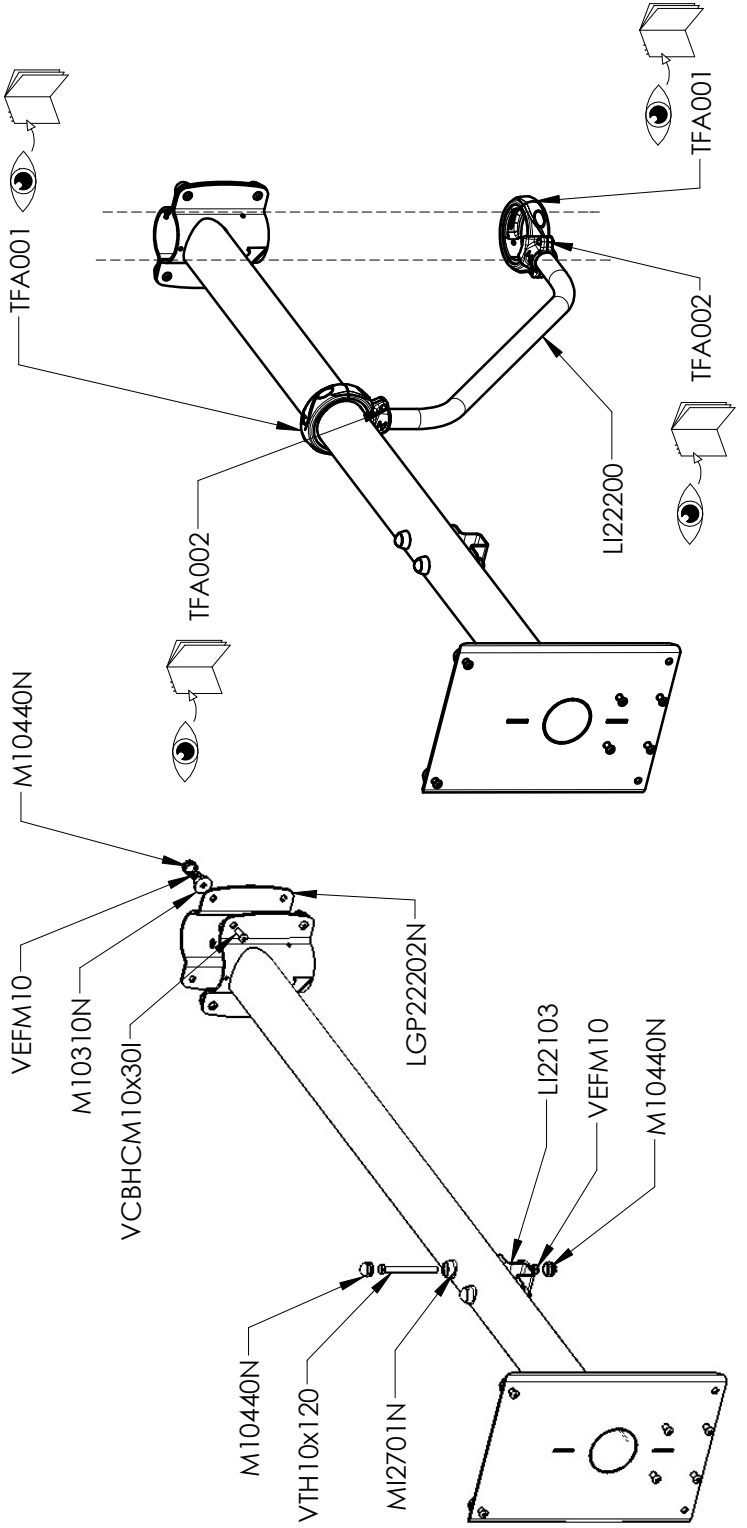
Réf	Qté
LA22200VX	32
LA22201VX	32
LA22203GBE	4
M42	8
MI2508VX	64
VBTR8X45	32
VCBHCM6x25I	32
VEBM6	32
VEFM8	32



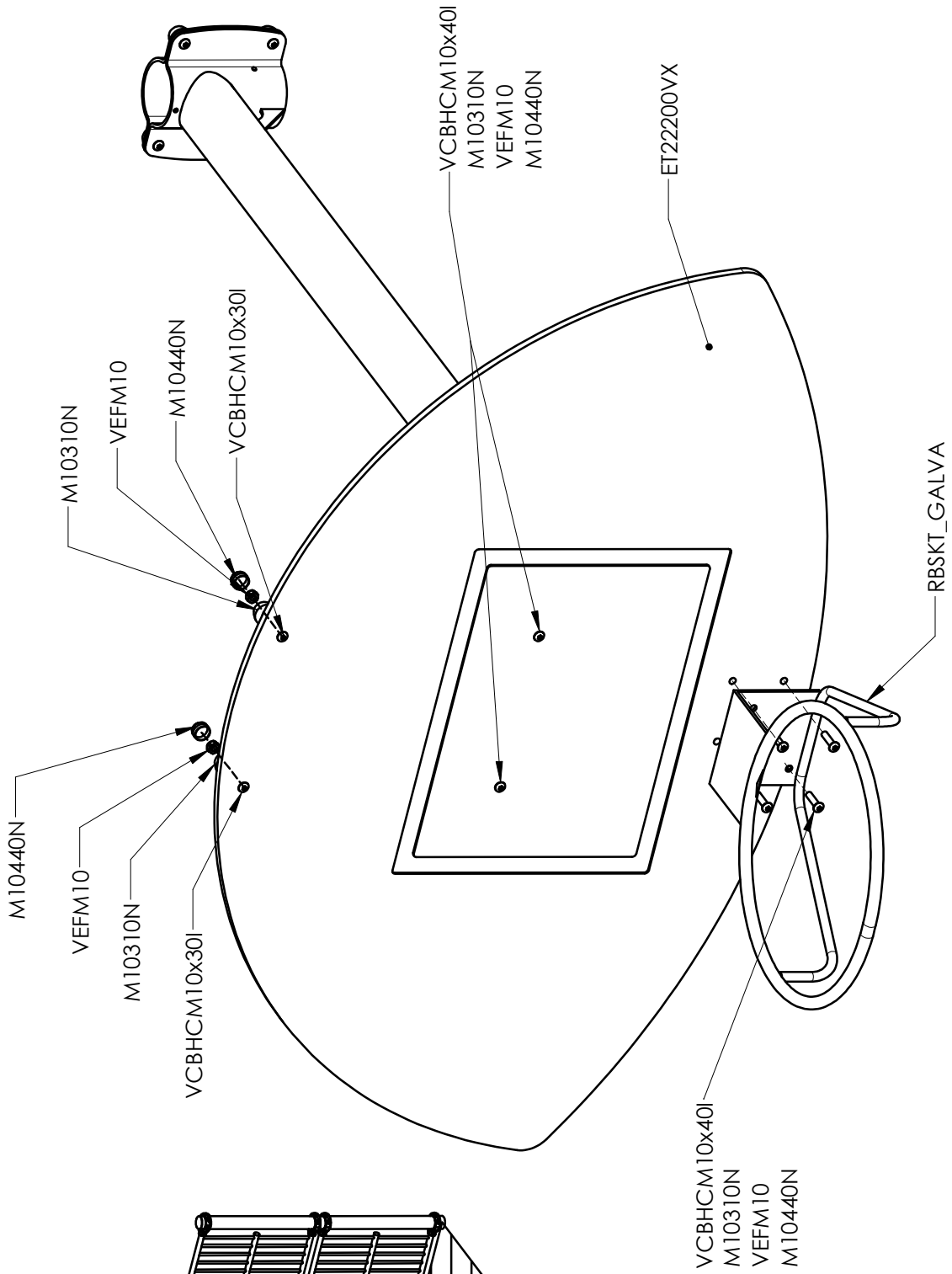
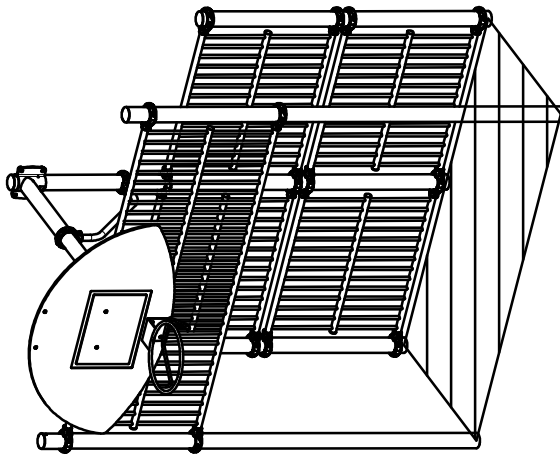
05



Réf	Qté	Réf	Qté
LA22200VX	4	RRAV6	1
LA22201VX	4	VBTR8X45	4
LGP22201IN	1	VCBHC6M6x25I	4
LGP22202N	1	VCBHC10x30I	4
LI22103	1	VCBHC10x40I	6
LI22200	1	VEBM6	4
M10310N	14	VEFM8	4
M10440N	14	VEFM10	12
MI2508VX	8	VTH10x120	2
MI2701N	2		

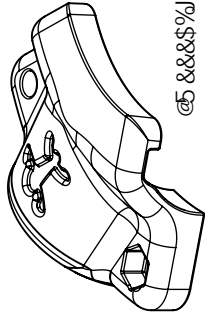


06

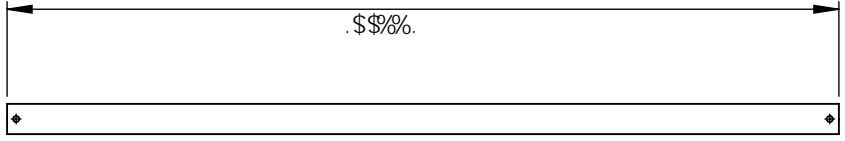


Réf	Qté
ET22200VX	1
M10310N	16
M10440N	16
M12701N	2
RBSKT_GALVA	1
VCBHCM10x30I	6
VCBHCM10x40I	6
VEFM10	14
VTH10x120	2

FzZ	E hf
@5 &&&\$%L	(
@&&&\$%	%
J 7 6 < 7 A * &) =	(
J 96A *	(



@5 &&&\$%L



.\$9%.

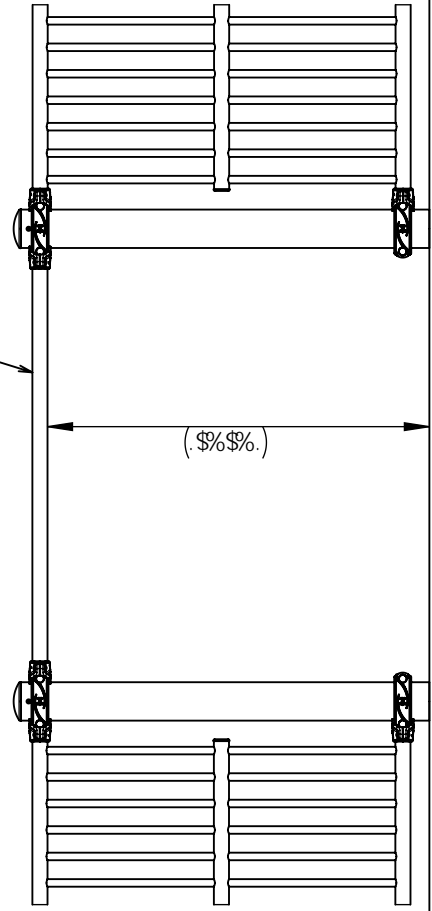
H 5 \$\$\$



@&&&\$%



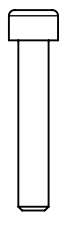
H 5 \$\$\$



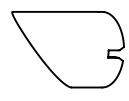
(.\$%\$%.)

\$

FfZ	E hf
@5 &&&&\$J L	&
A -&) \$, J L	(
J 6HF, L()	&
J 9: A,	&



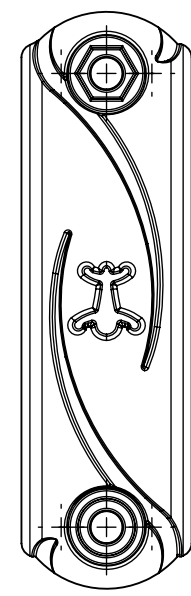
J 6HF, L()



A -&) \$, J L



J 9: A,



@5 &&&&\$J L

