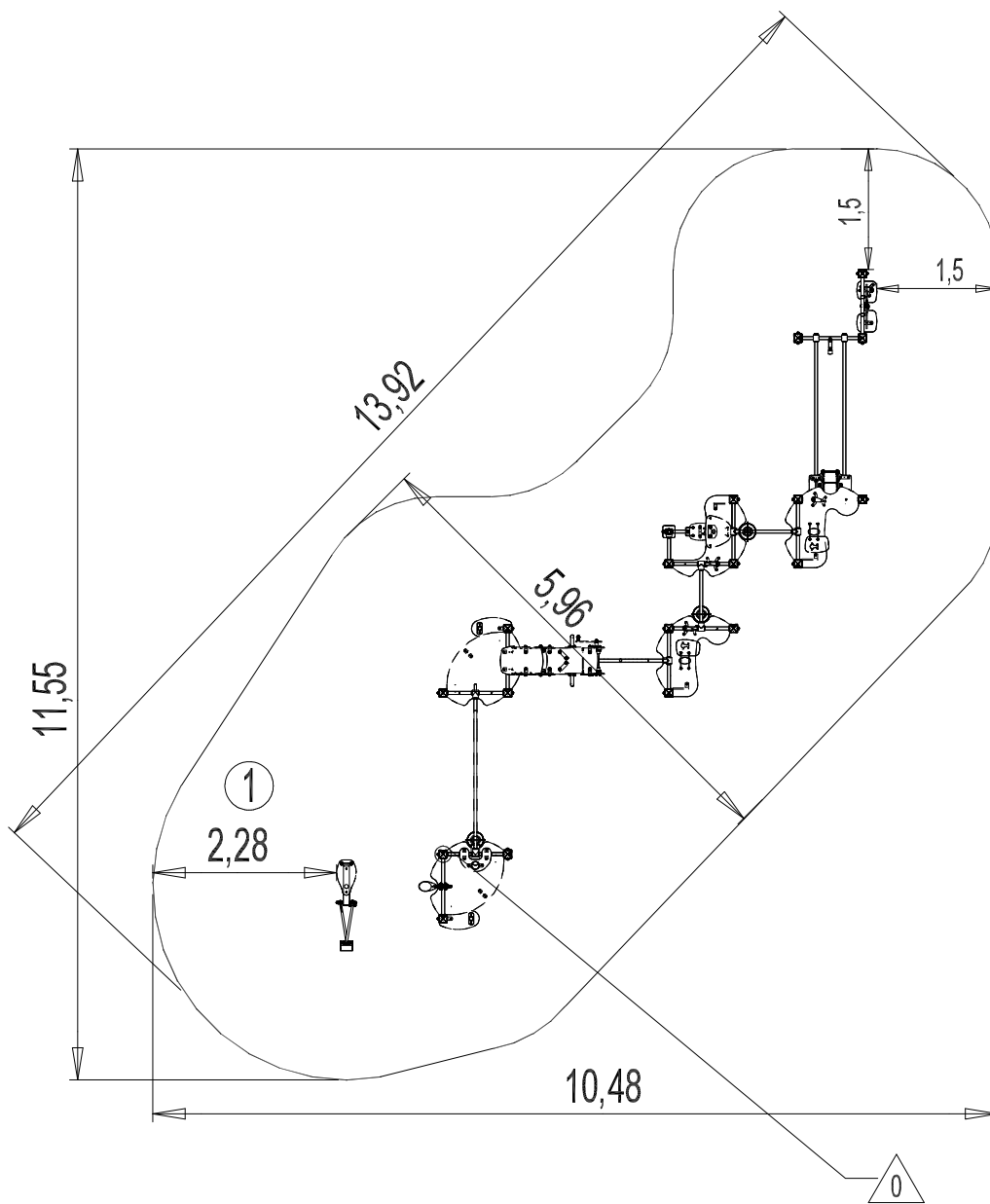


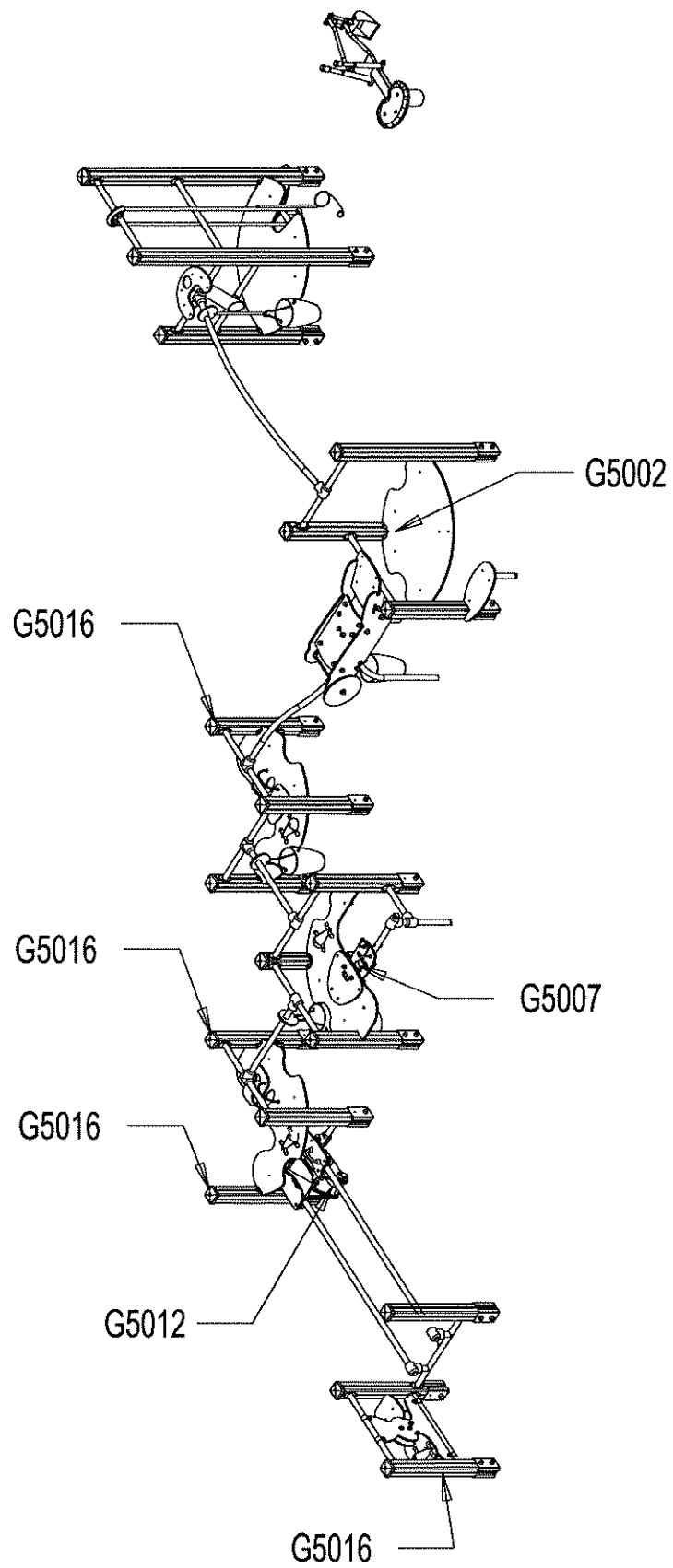
N°		
①	< 0,6 m	65 m²

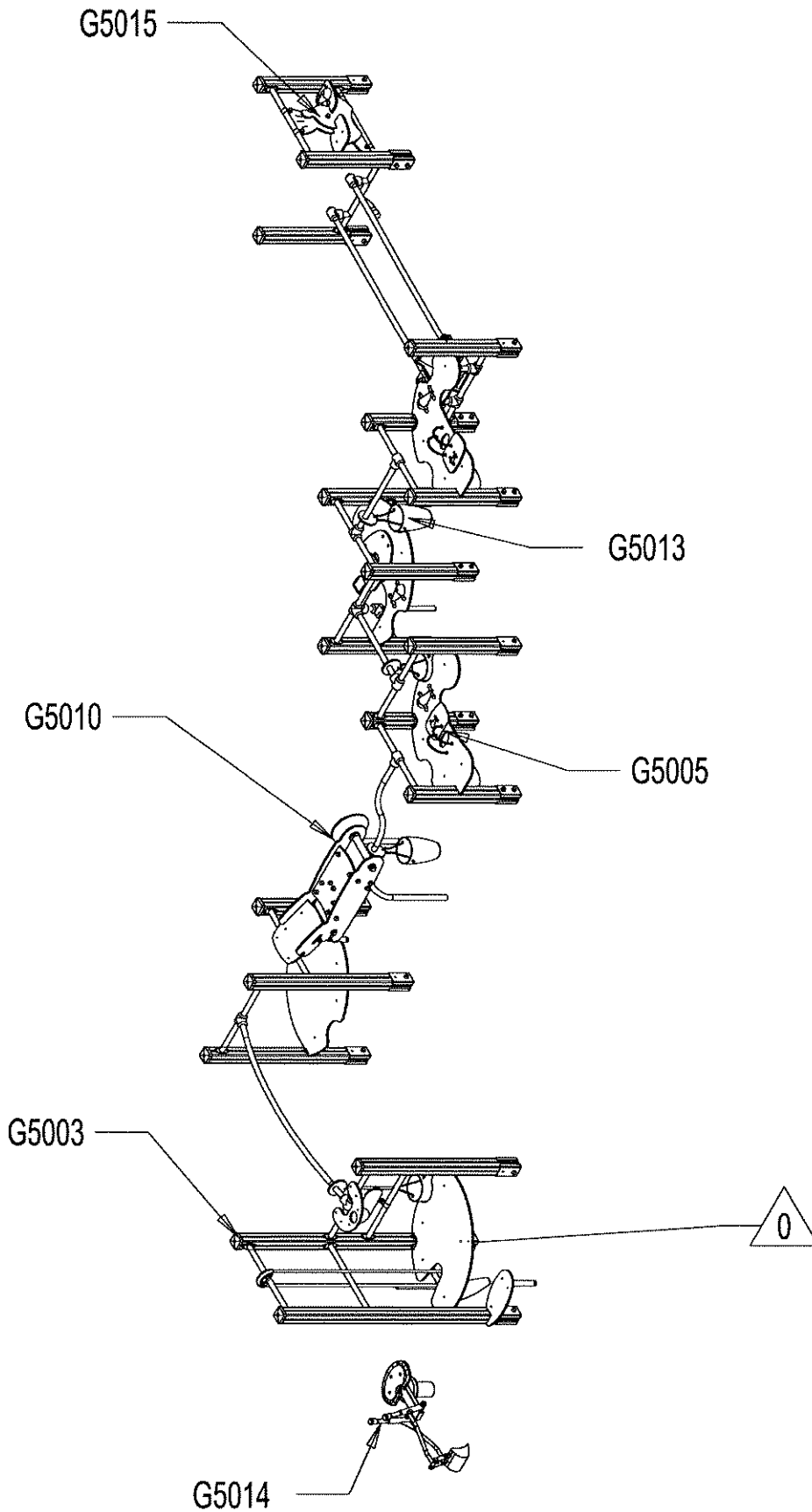
— Zone d'Impact
 Impact Area
 Area de Impacto EN 1176-1 : 2017
 Fallraum

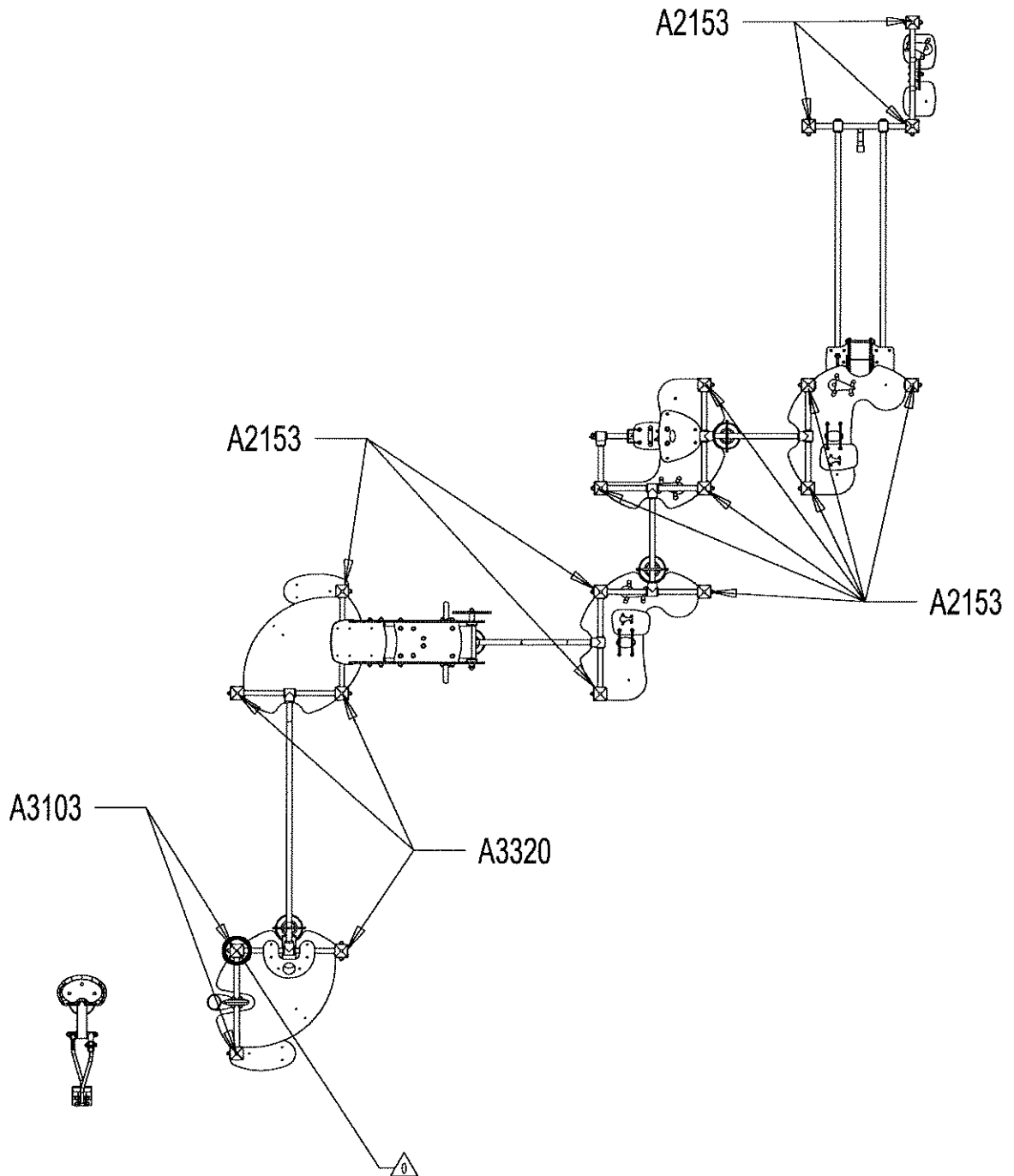
— Espace libre
 Free Space
 Espacio Libre
 Freiraum



①
 2,28
 5,96
 13,92
 11,55
 10,48
 1,5
 1,5
 0
 Point de Référence
 Setting Out Point
 Punto de referencia
 Bezugspunkt

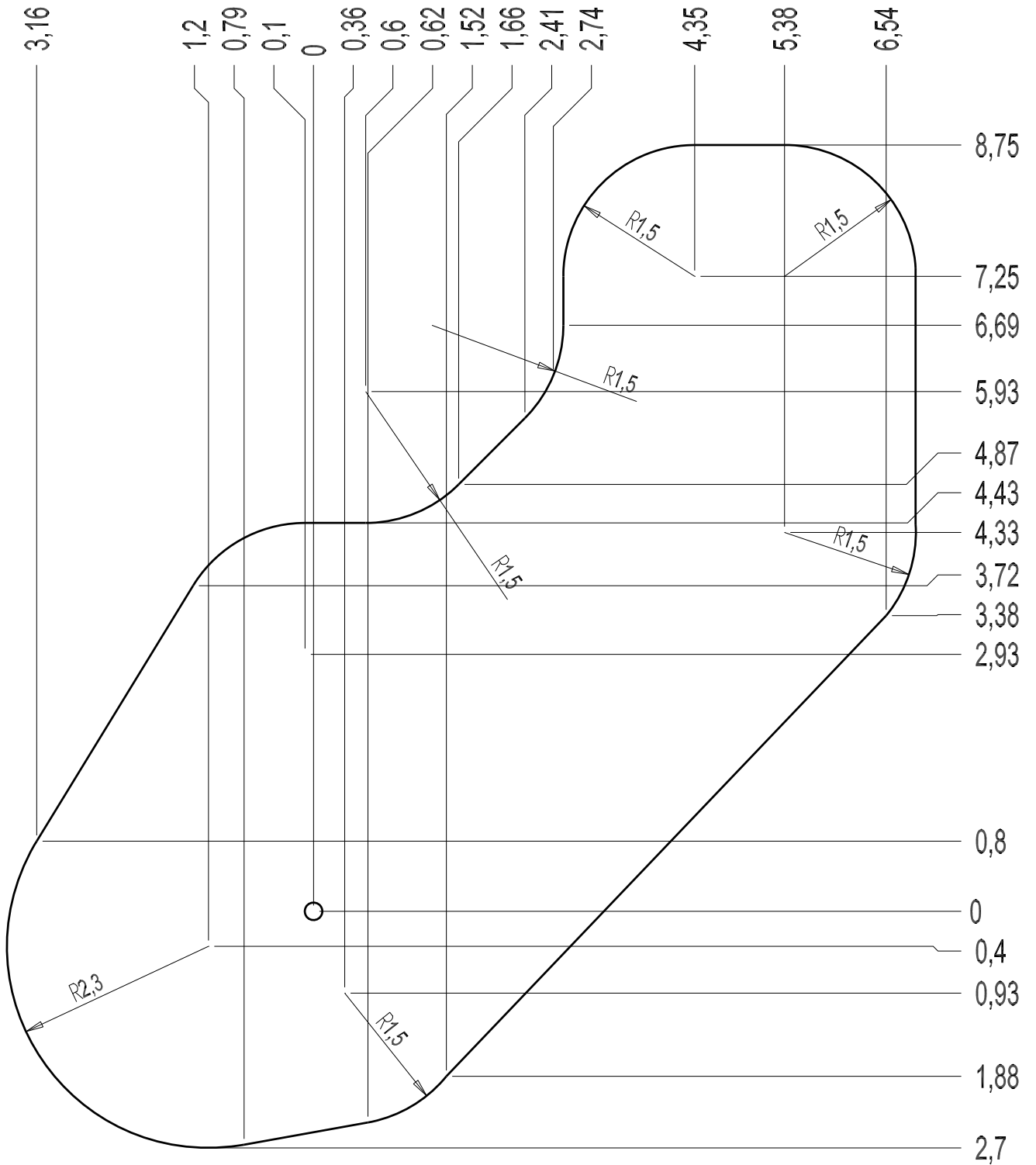




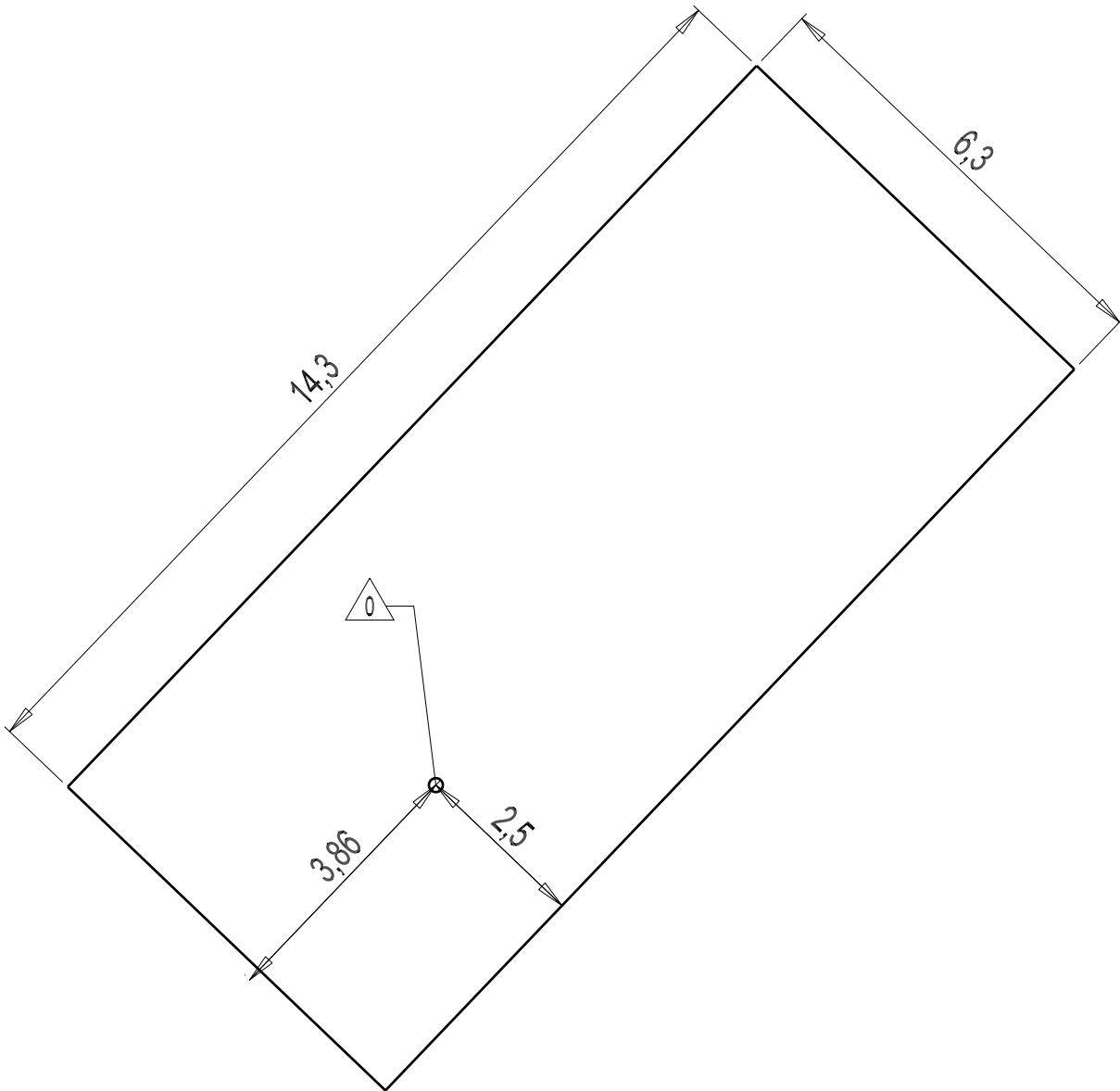


— Zone d'Impact
 Impact Area
 Area de Impacto
 Fallraum

65 m²

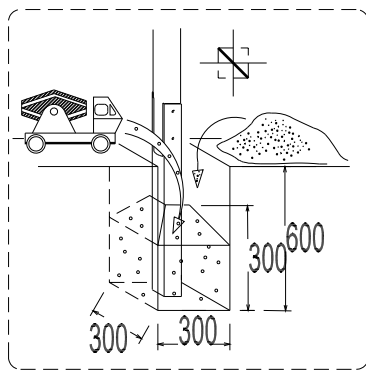
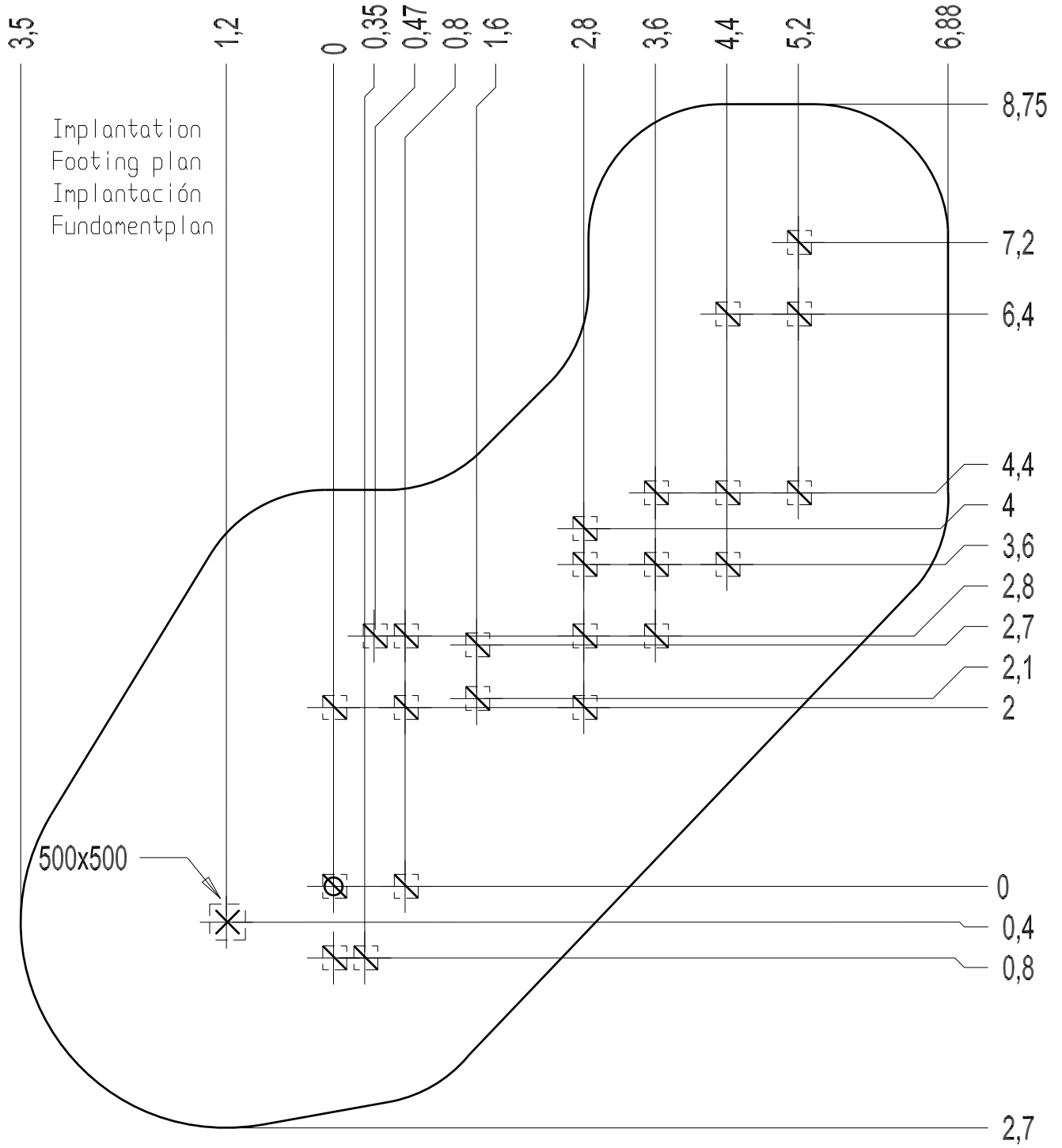





- Sol fluent 42 m
- Loose particle material 90 m²
- Arenero
- Loses Bodenmaterial

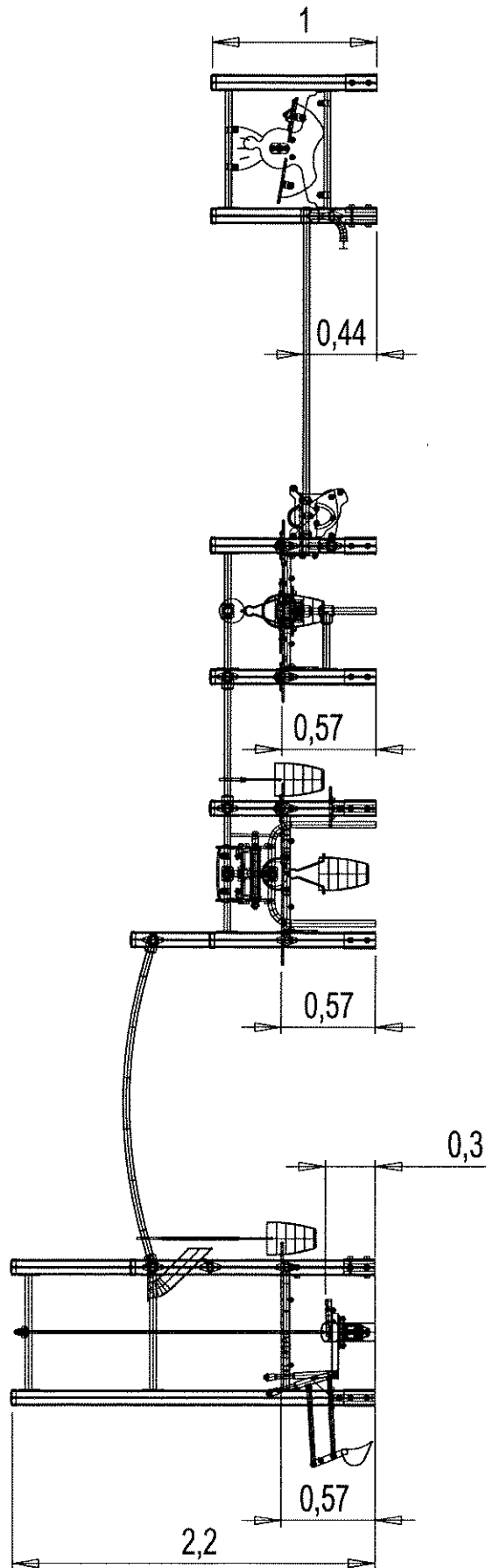


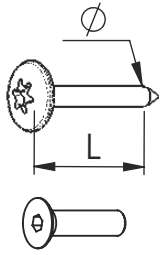
J5002A

Proludic



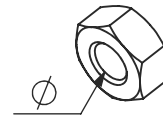
 x2	 8H	 0,7m ³
---	--	---



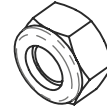


VBT 6 x 30
 \varnothing \uparrow L (mm)

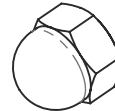
VFHC



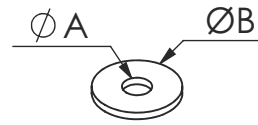
VEC M10
 \varnothing



VEF



VEB

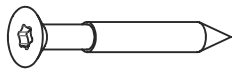


VR6x18
 $\varnothing A$ $\varnothing B$

1000 - 1800 tr/min
 Vitesse de rotation
 Rotation speed

14 N.m
 Couple de rupture
 Torque of break

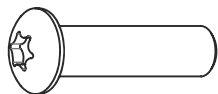
VTHA



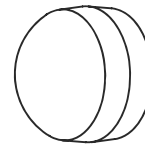
VWT



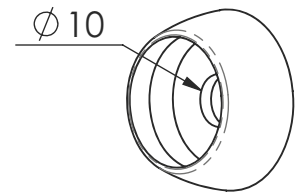
VGC



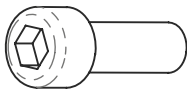
VCBHC



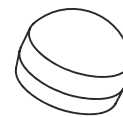
M10 440N



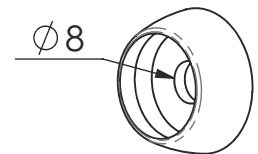
M10 310 N



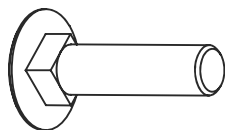
VBTR



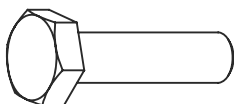
M8440N



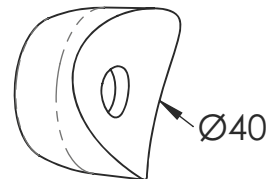
M8310N



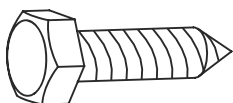
VTRCC



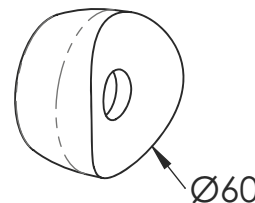
VTH



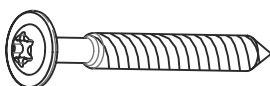
MI2503



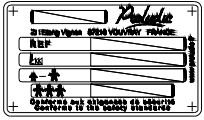
VTF



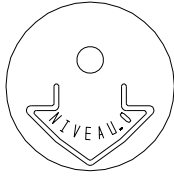
MI2701



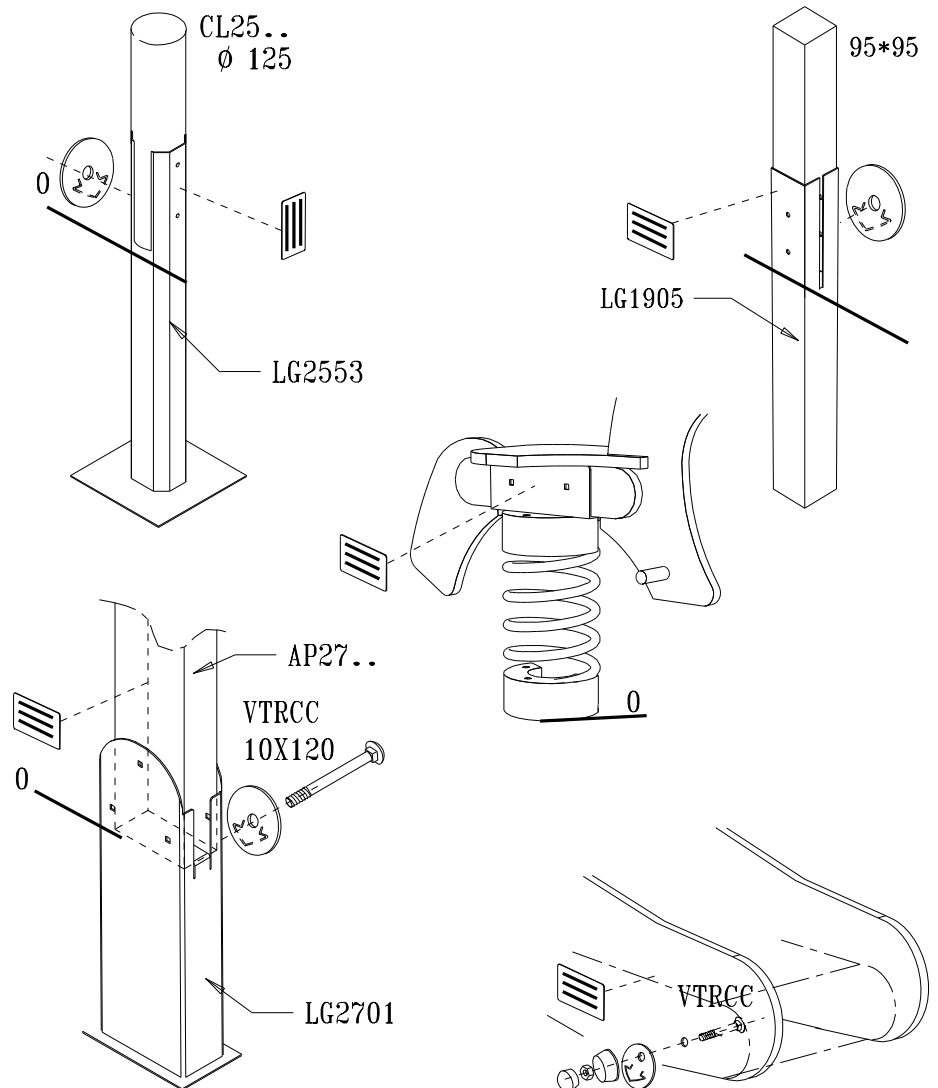
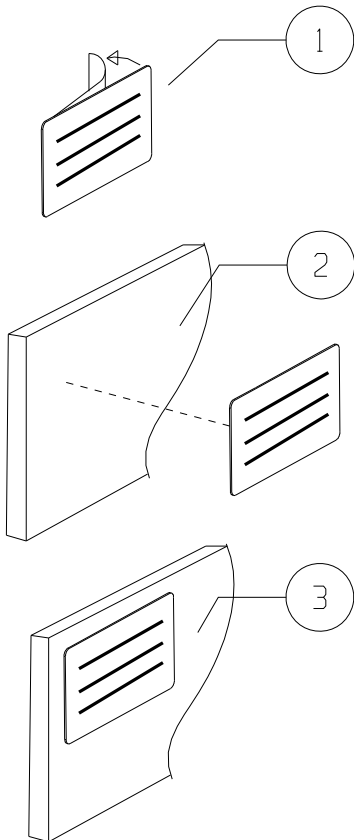
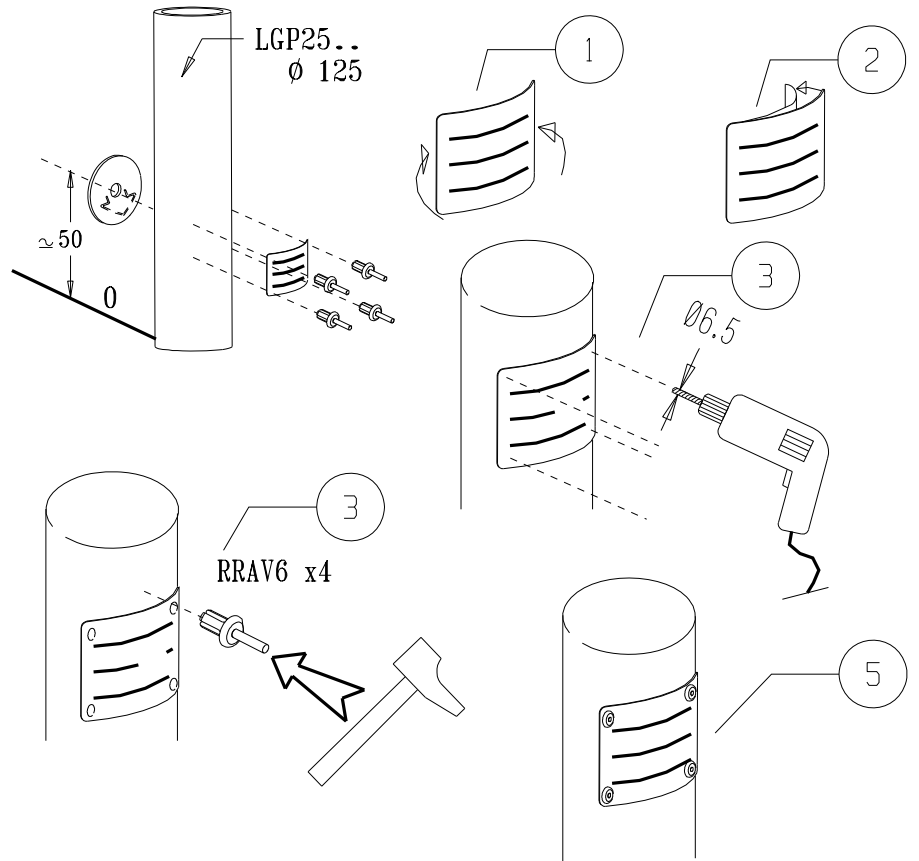
VBT

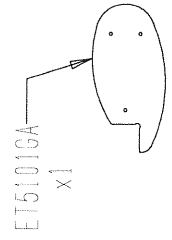
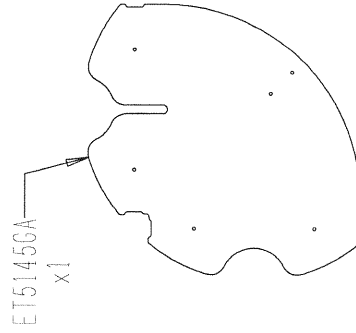
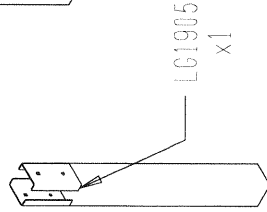
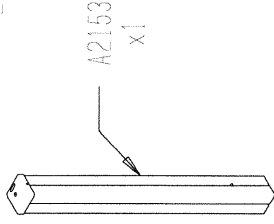
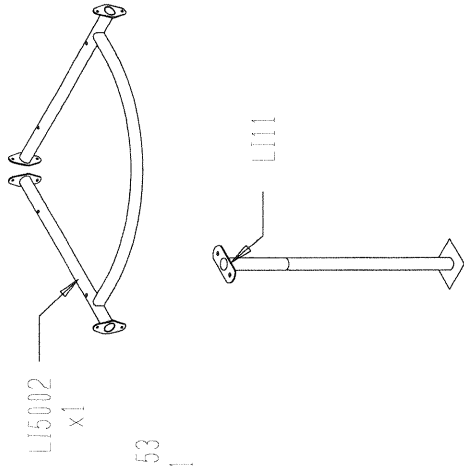
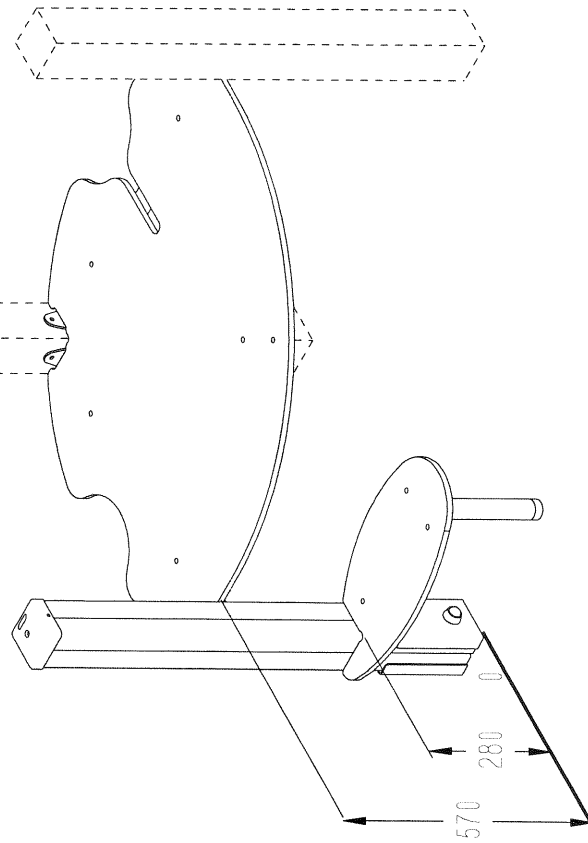


LA000

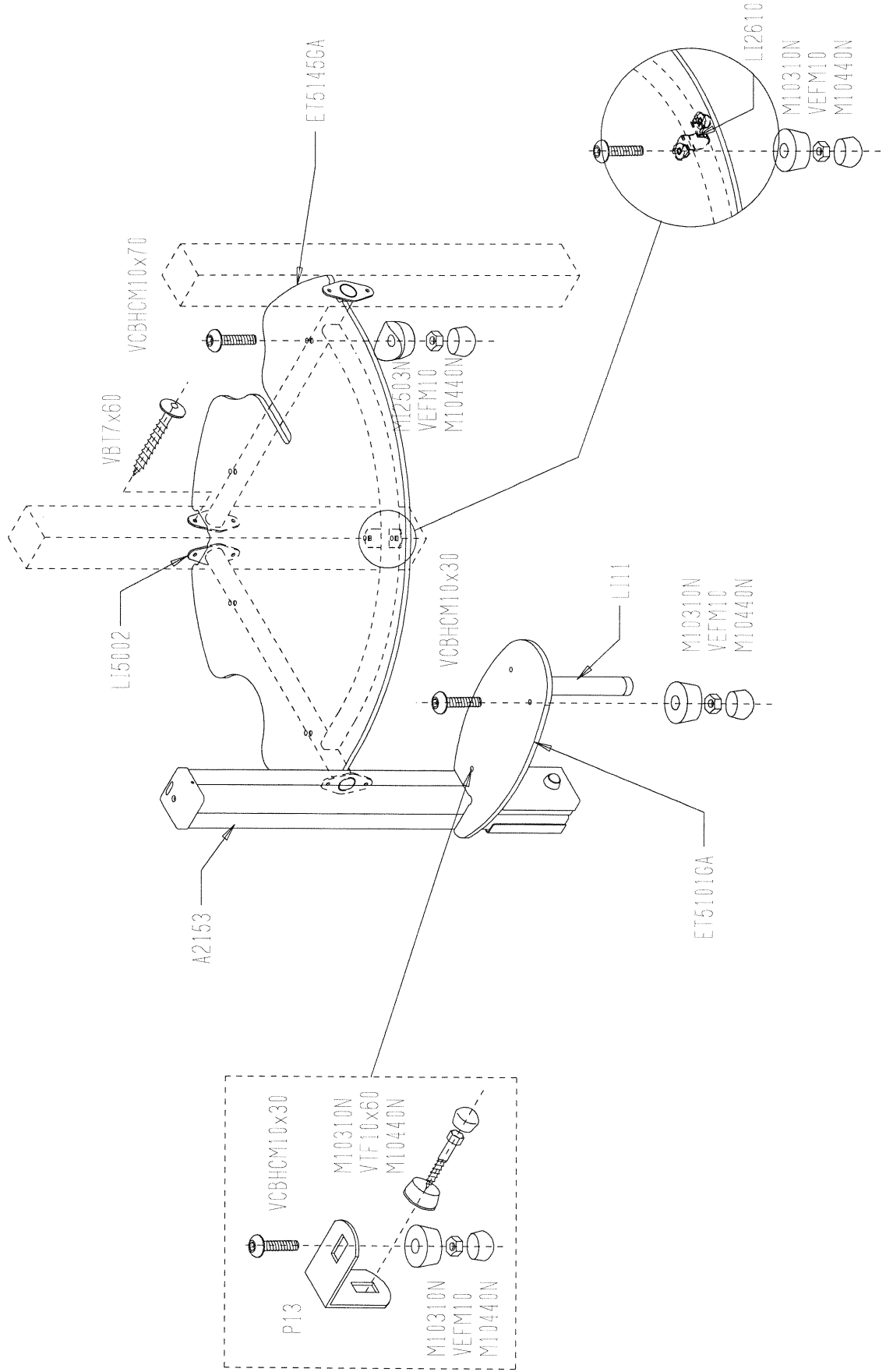


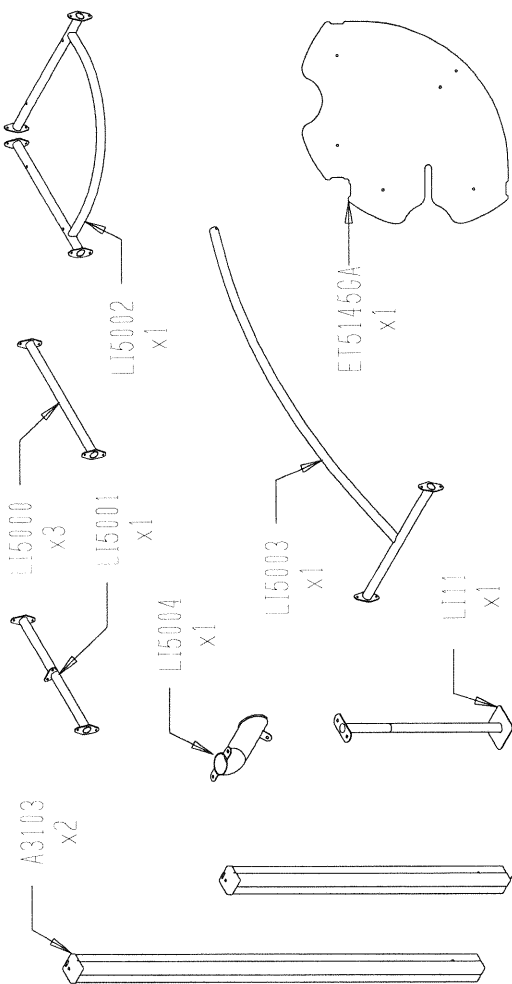
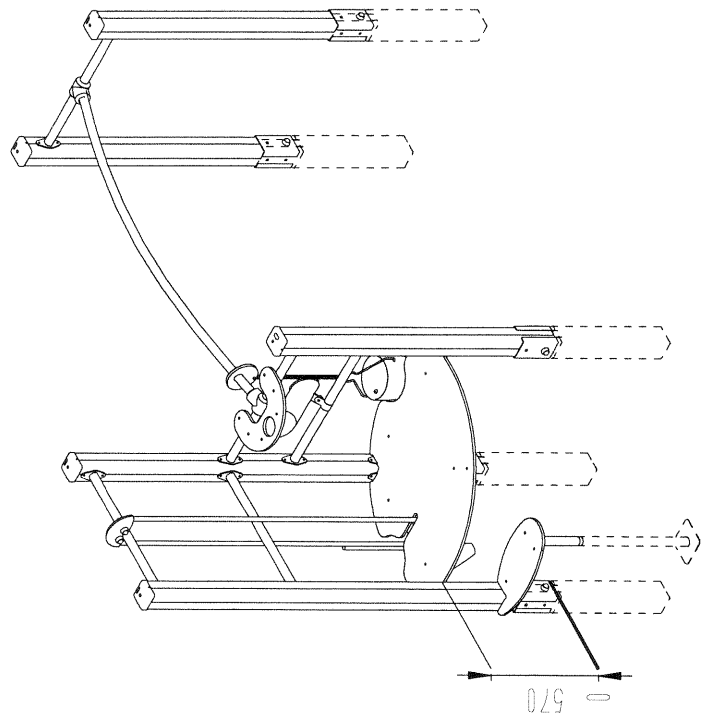
MI0002



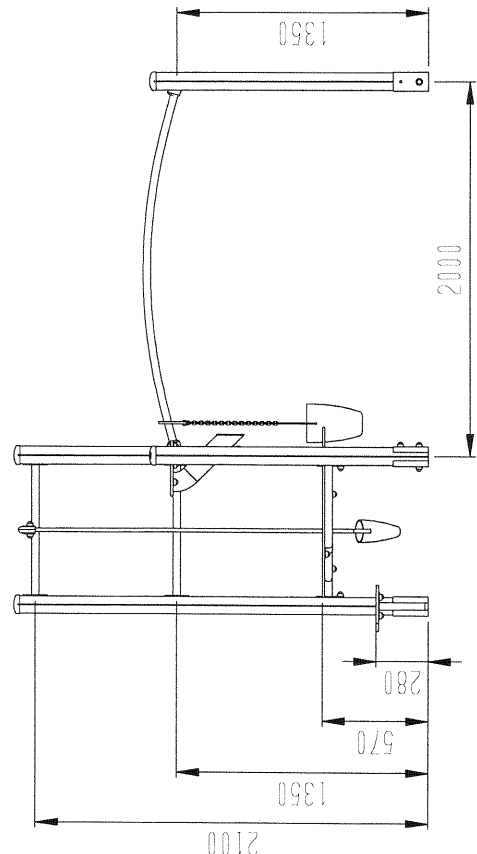
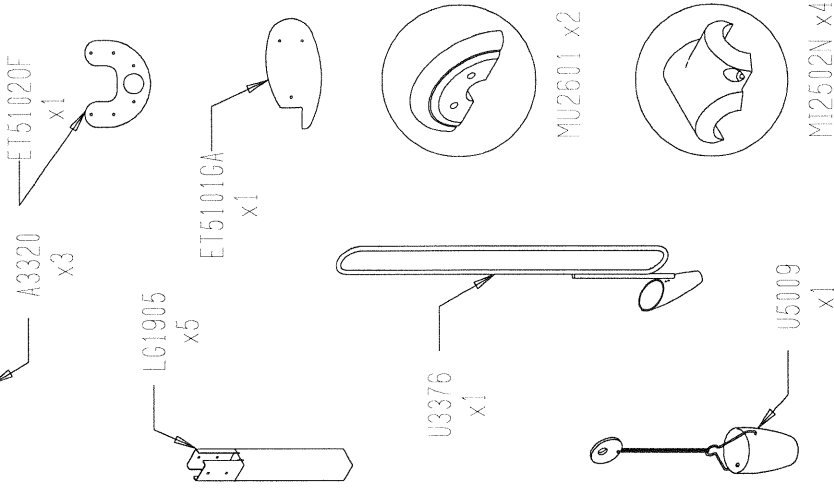


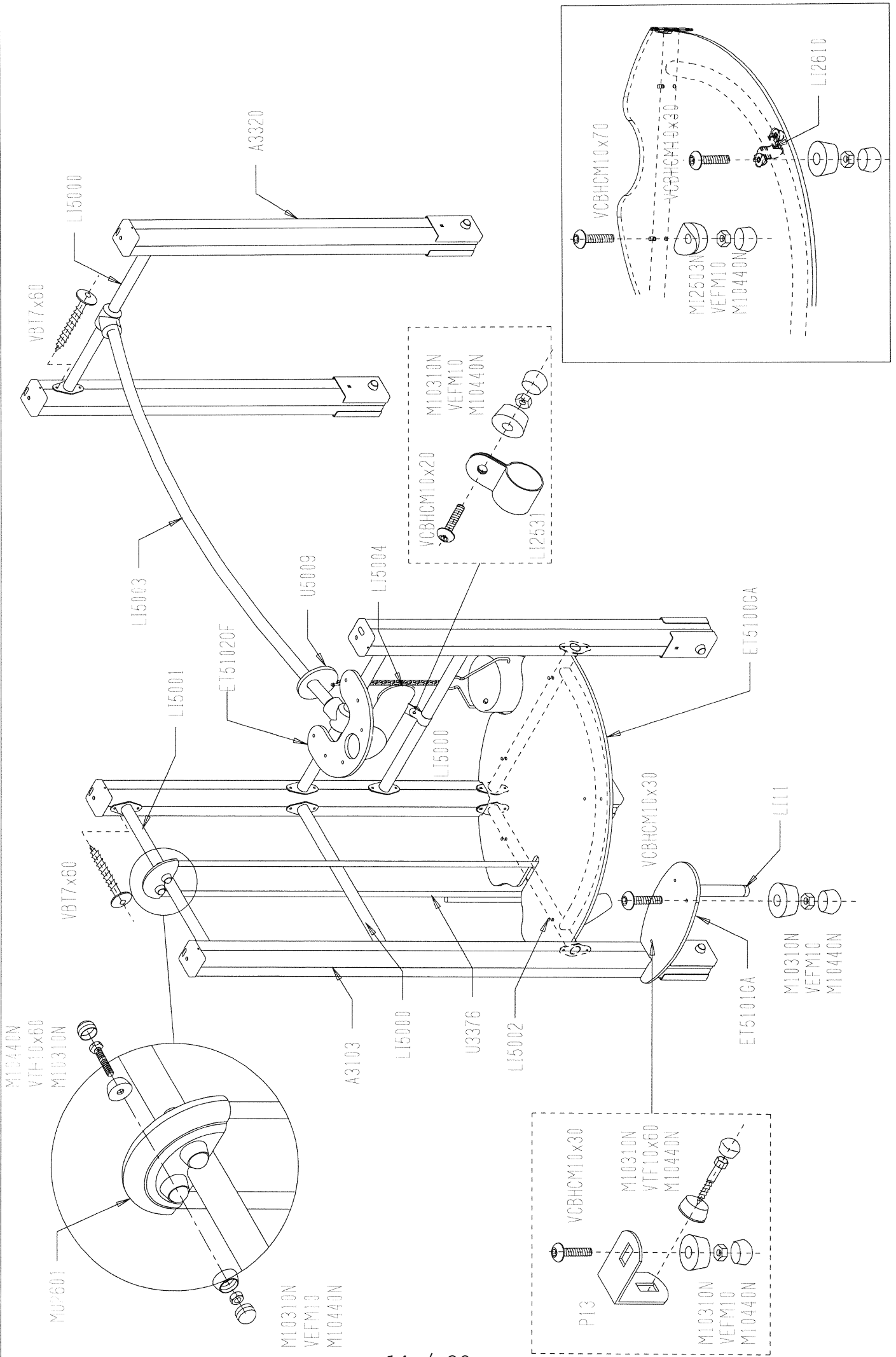
	VEFM10	9
	VTF 10x60	3
	VTRCC10x120	1
	M10310N	9
	M10440N	13
	VECM10	1
	VBT 7x60	8
	VCBHC M10X30I	5
	VCBHC M10X70I	4
	70 mm : P13	1
	LI2610	1
	MI2503N	4

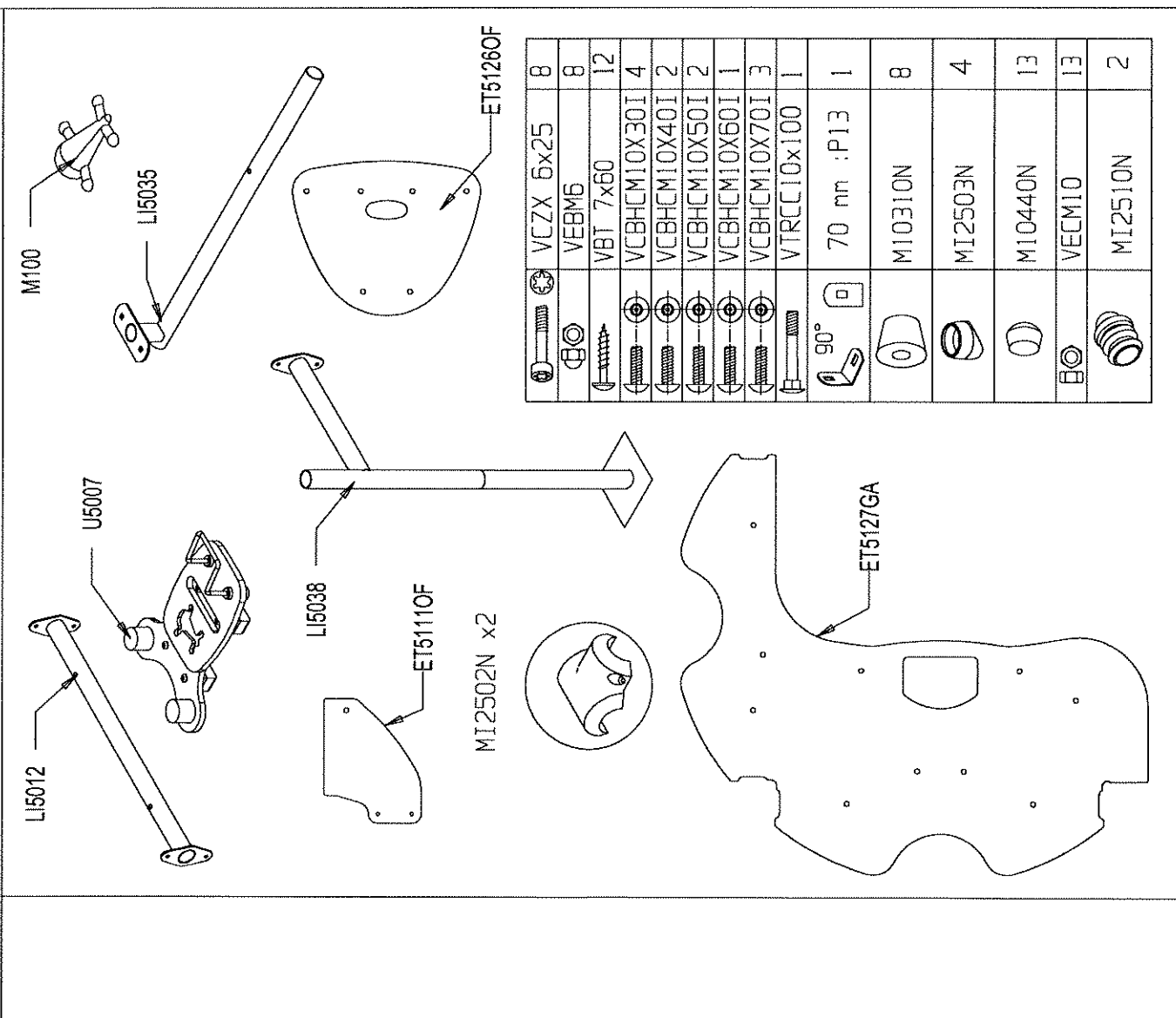
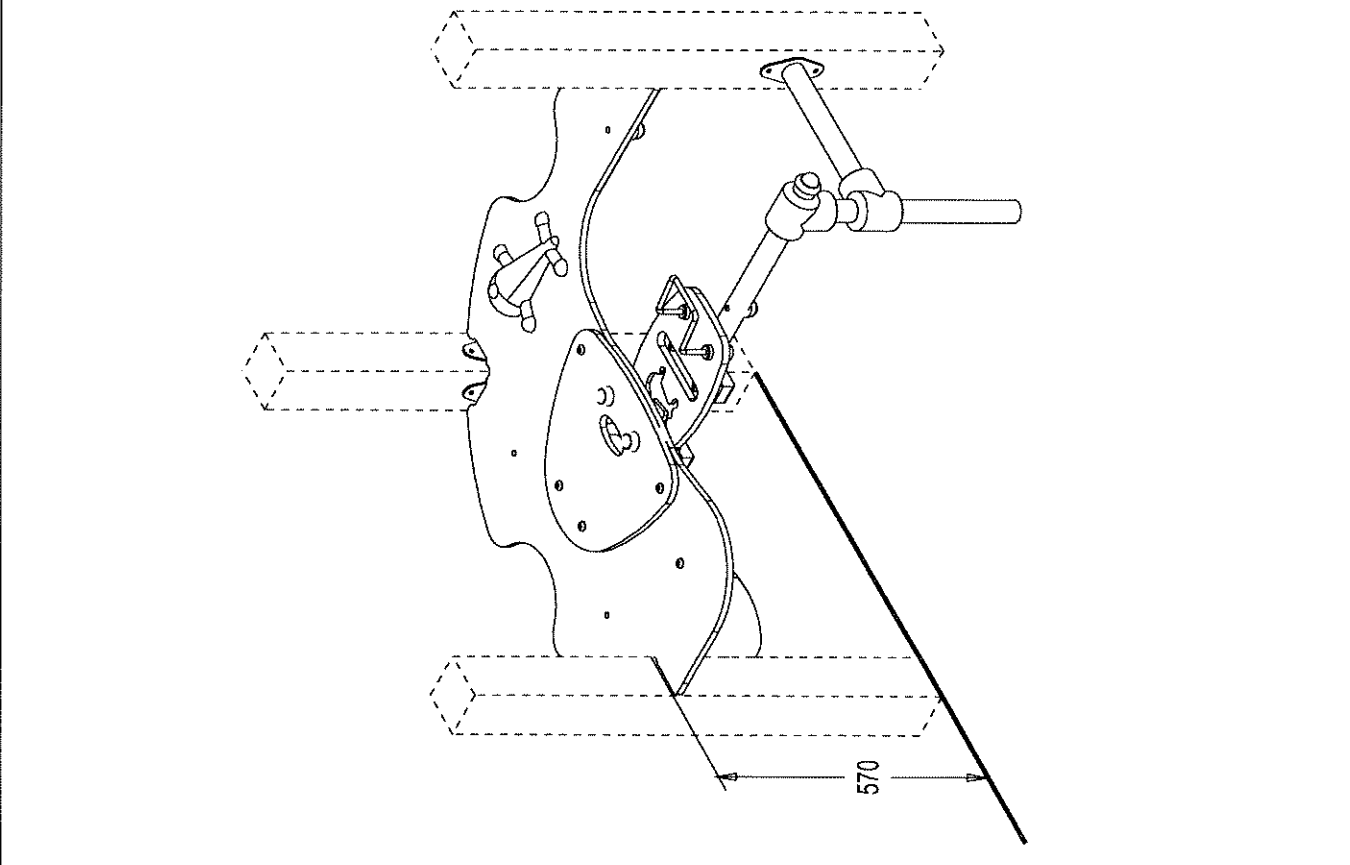




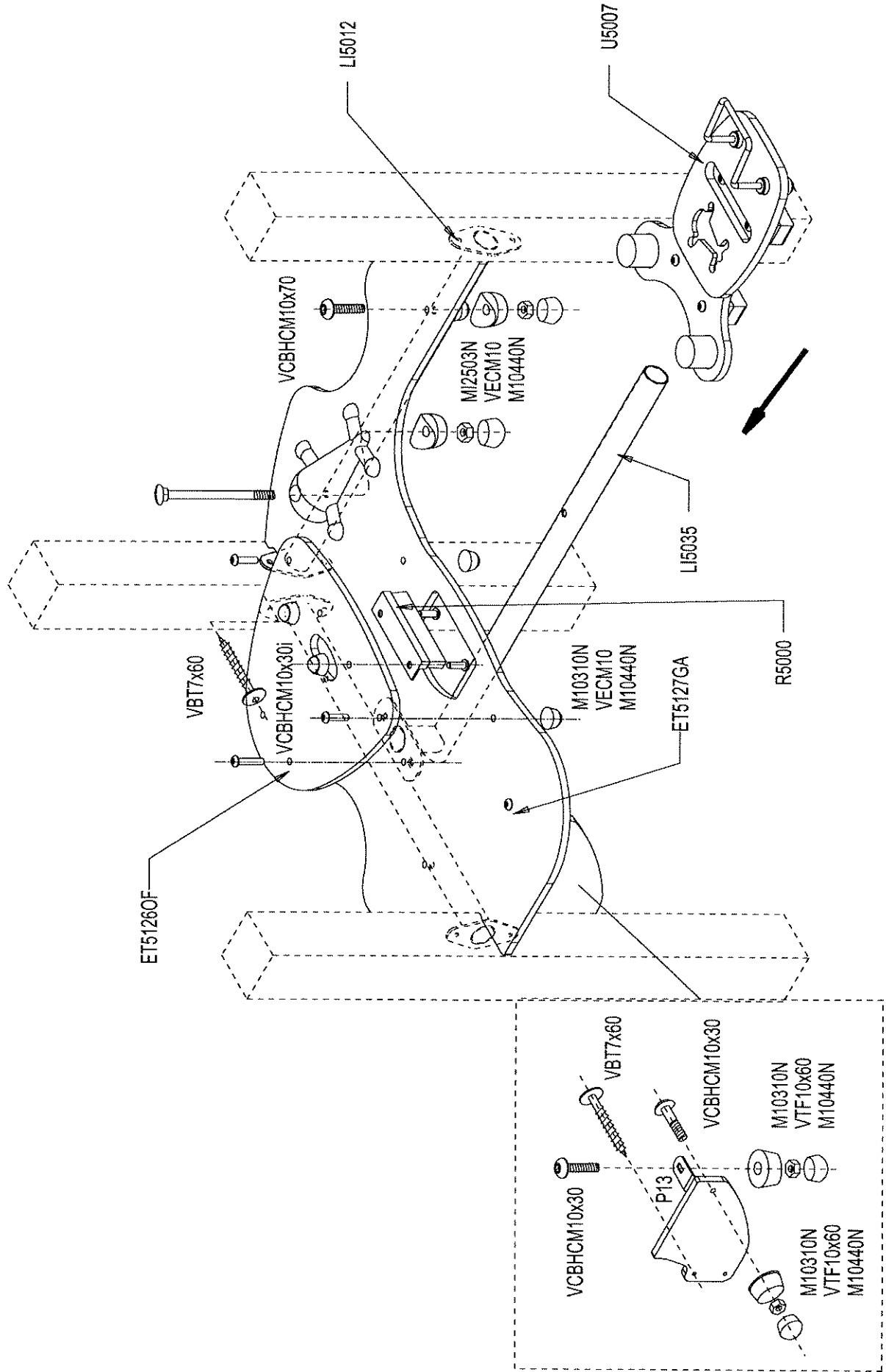
	VEFM10	18
	VTF 10x60	11
	VTRCC10x120	5
	M10310N	32
	M10440N	36
	VECM10	5
	VBT 7x60	28
	VCZX 6x25	8
	VEBM6	8
	VCBHC M10X20I	1
	VCBHC M10X30I	11
	VCBHC M10X70I	4
	VTH 10x60	2
	VGC8x55I	1
	70 mm : P13	1
	LI2610	3
	LI2531	1
	M12503N	4

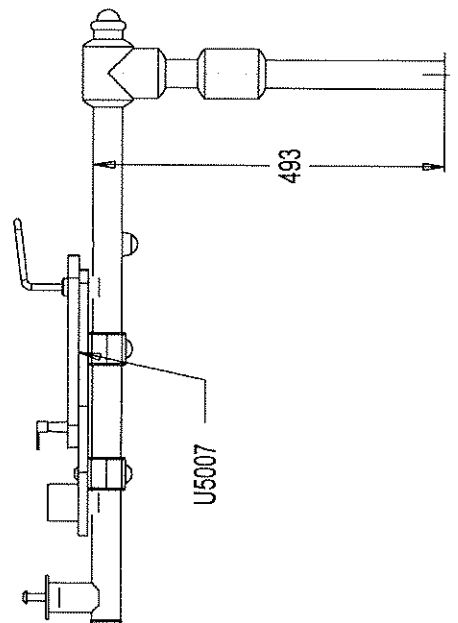
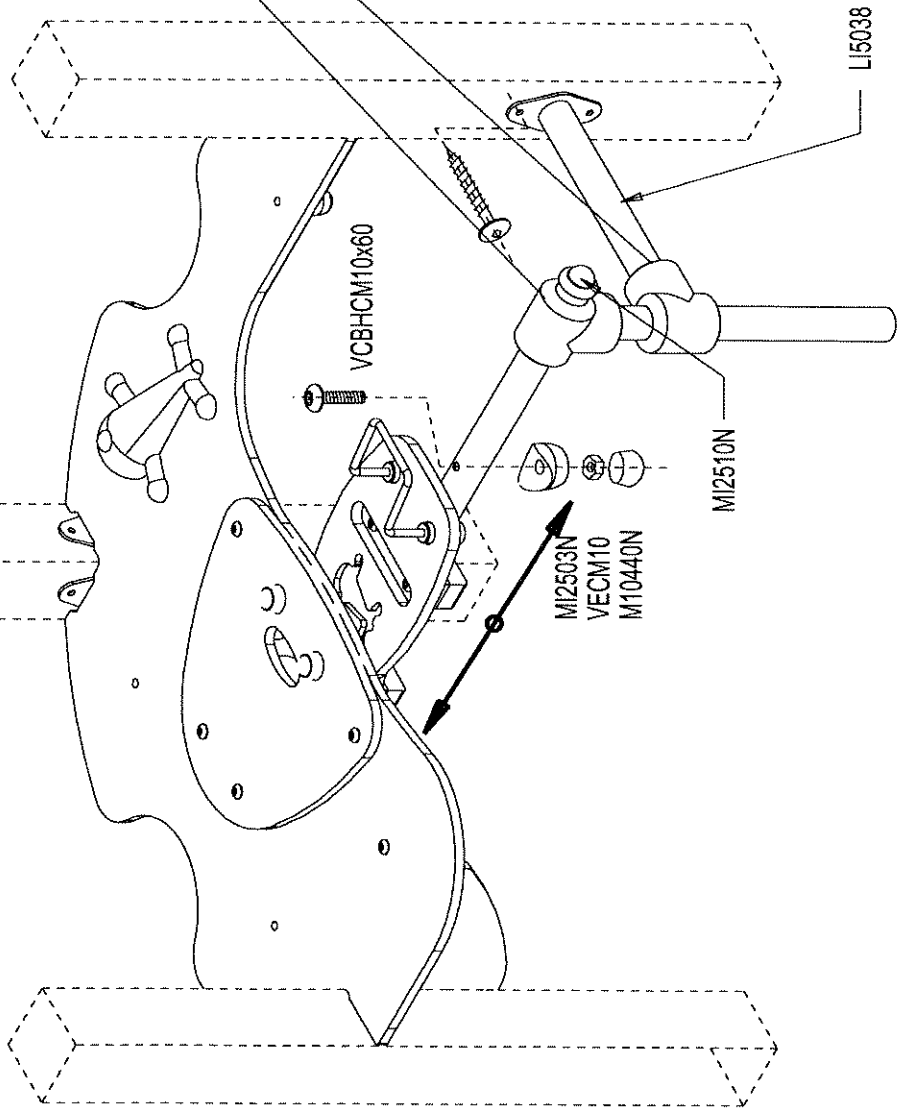




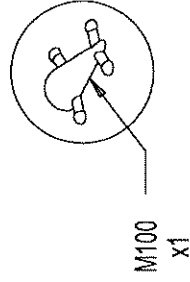
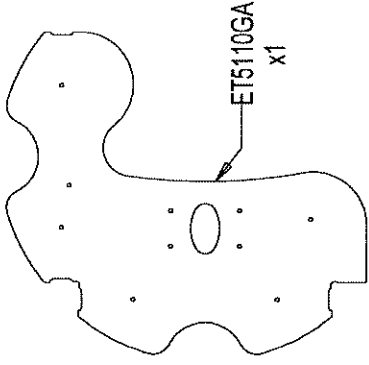
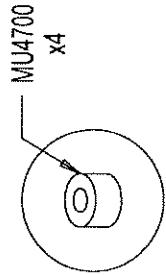
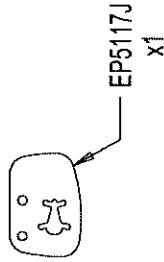
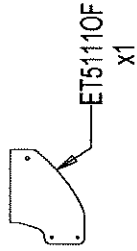
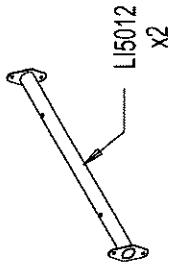
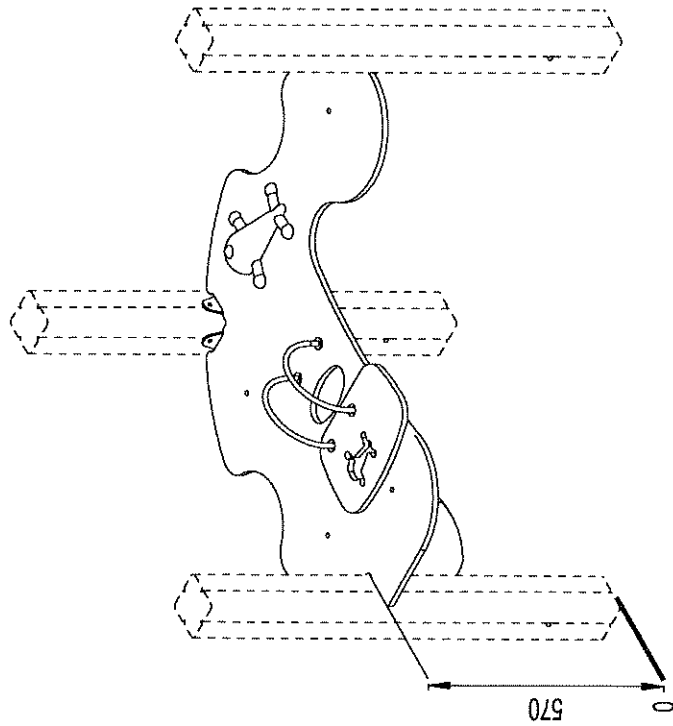


	VCZX 6x25	8
	VEBMB	8
	VBT 7x60	12
	VCBHCMI0X30I	4
	VCBHCMI0X40I	2
	VCBHCMI0X50I	2
	VCBHCMI0X60I	1
	VCBHCMI0X70I	3
	VTRCCI0x100	1
	70 mm :P13	1
	M10310N	8
	MI2503N	4
	M10440N	13
	VECM10	13
	MI2510N	2

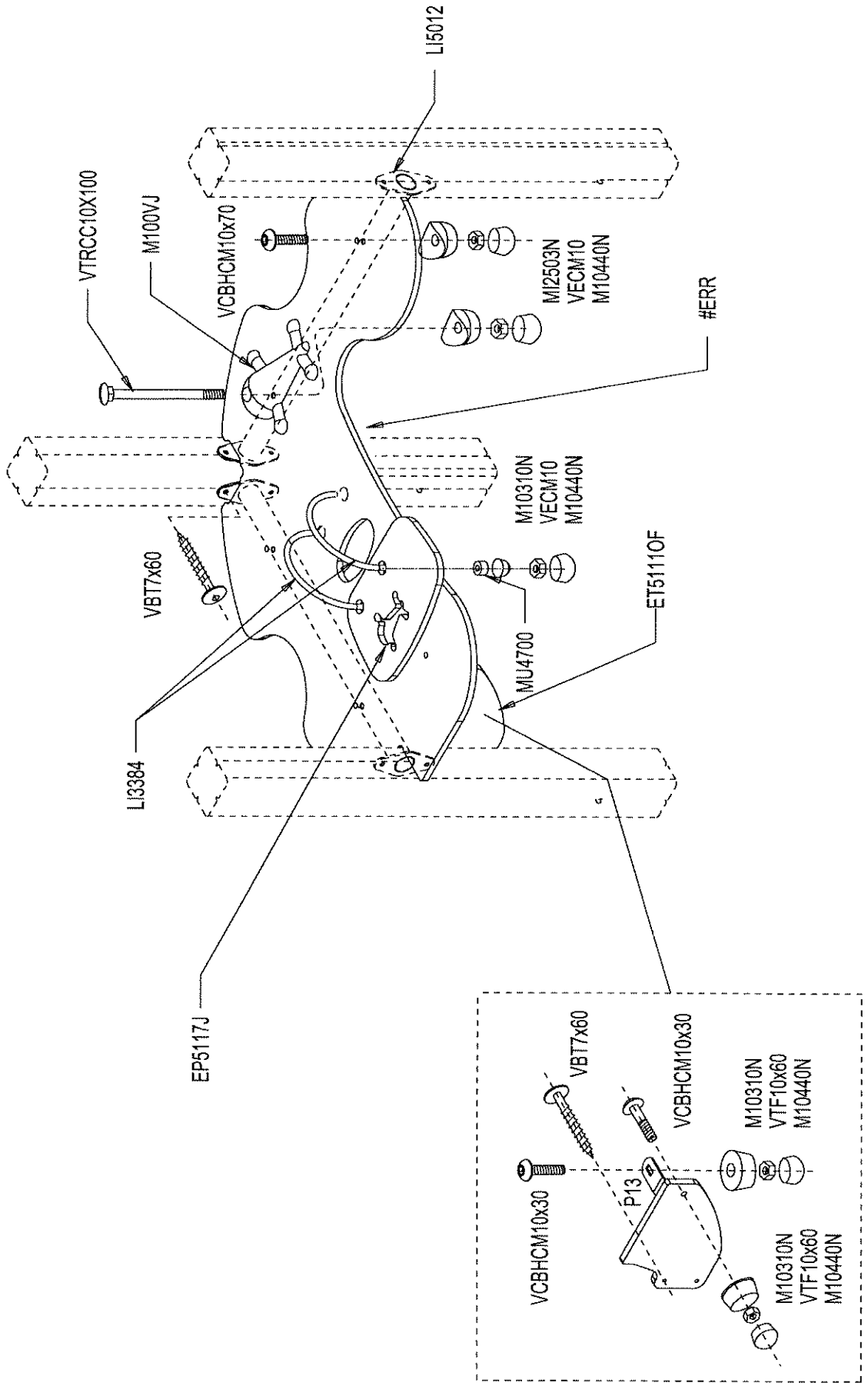


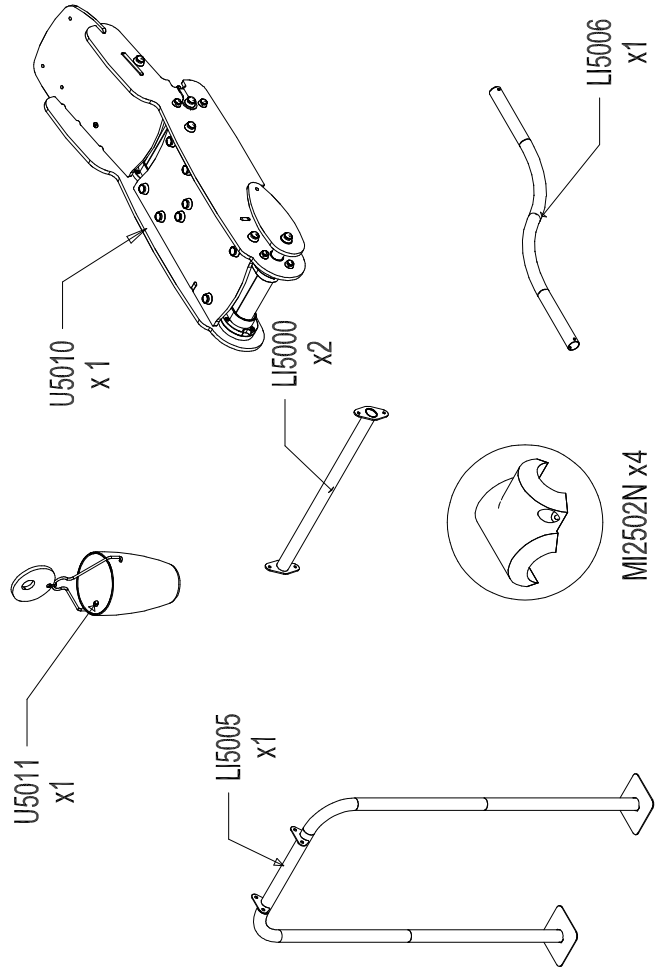
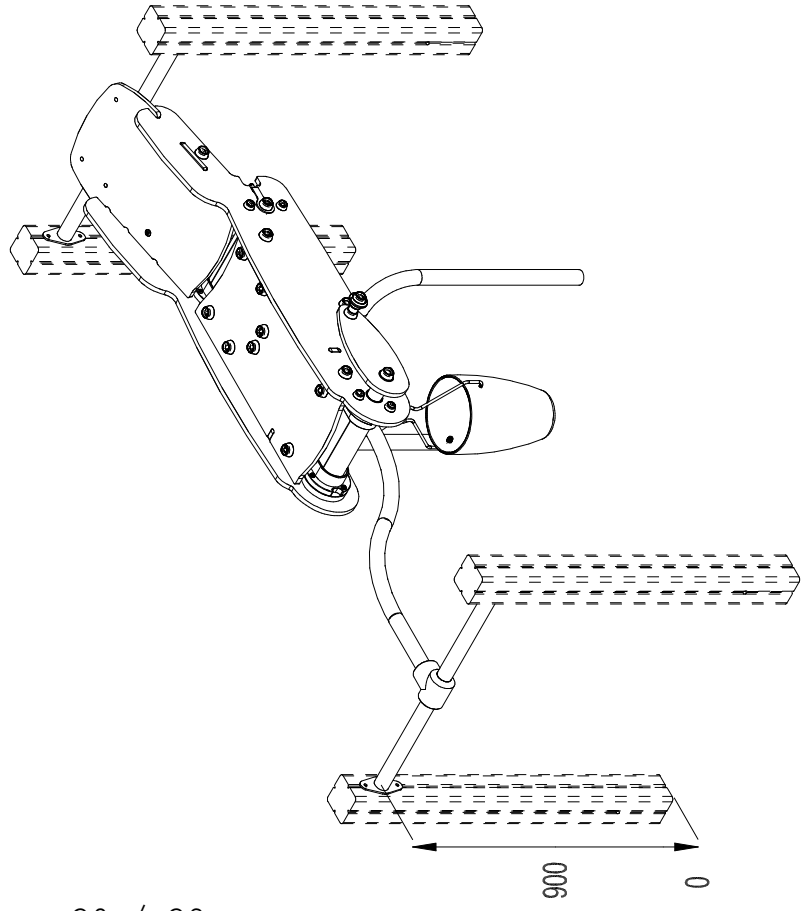
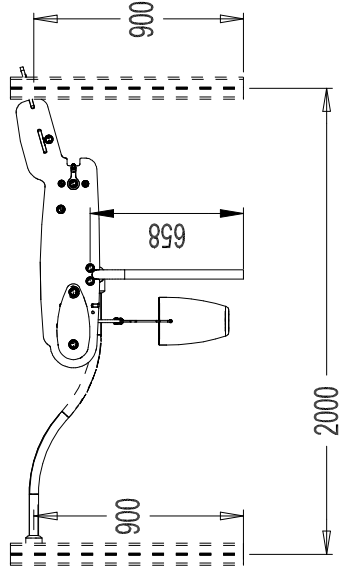


+

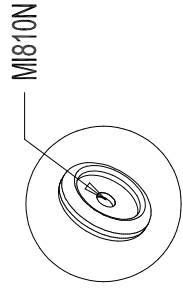


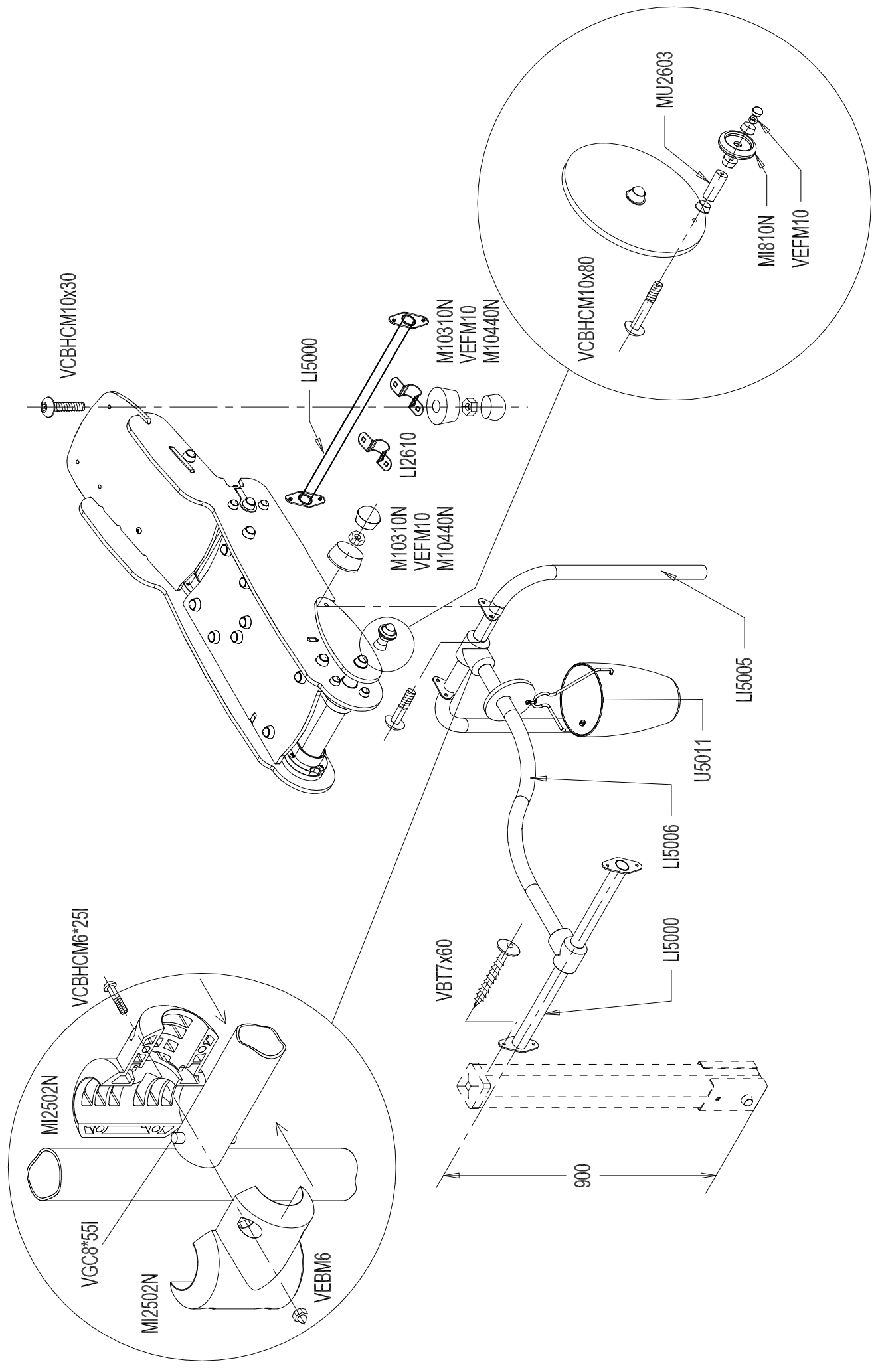
	VBT 7x60	10
	VCBHCMI0X30I	2
	VCBHCMI0X70I	3
	VTRCC10x100	1
	70 mm :P13	1
	M10310N	6
	MI2503N	4
	M10440N	11
	VECM10	10

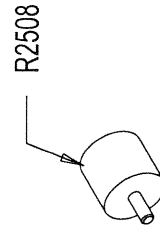
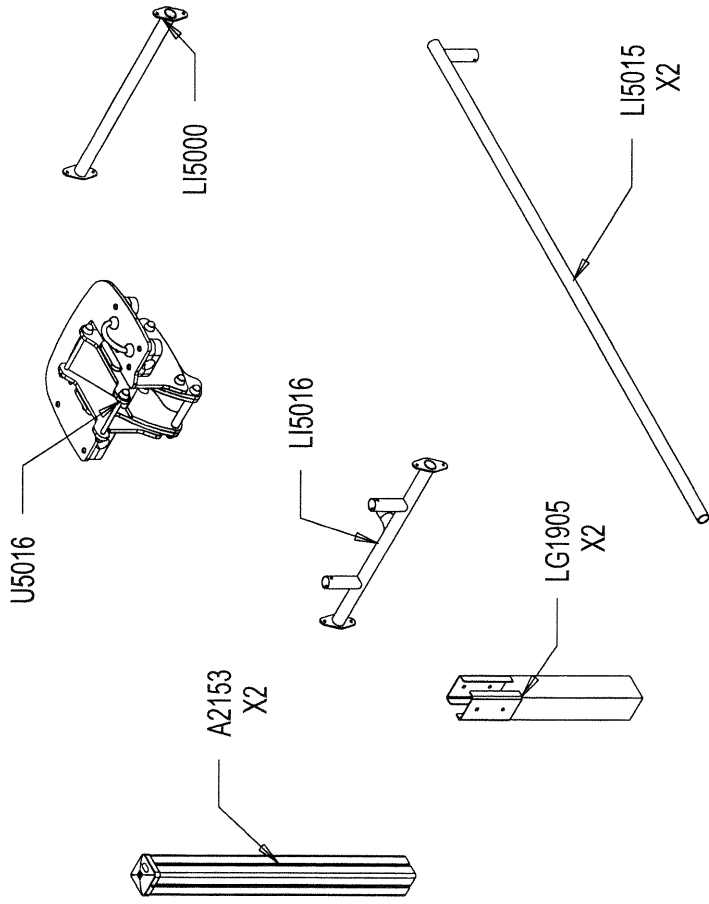
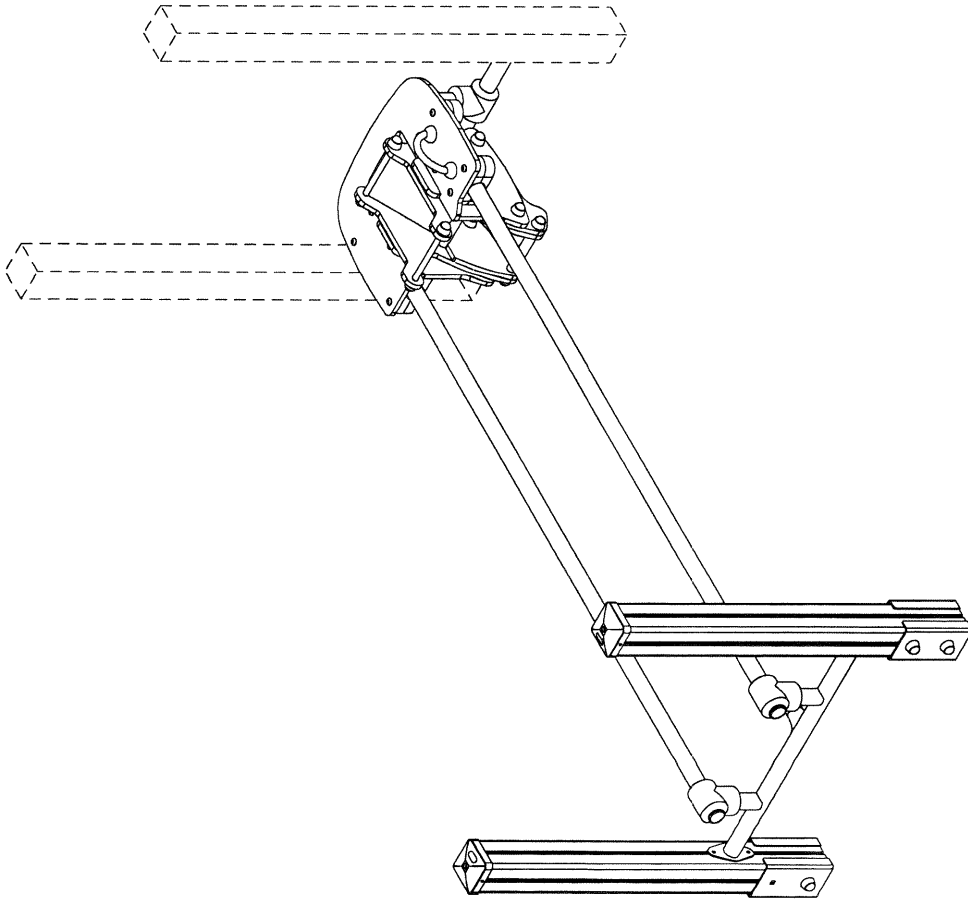




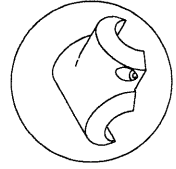
	MI2603	1
	VEFM10	1
	VCBHC M10x80I	1
	VBT 7x60	8
	VCBHC M6x25I	8
	VEBM6	8
	VGC8x55I	2
	VCBHC M10x30I	8
	LI2610	2
	M10310N	11
	M10440N	9
	VEFM10	8



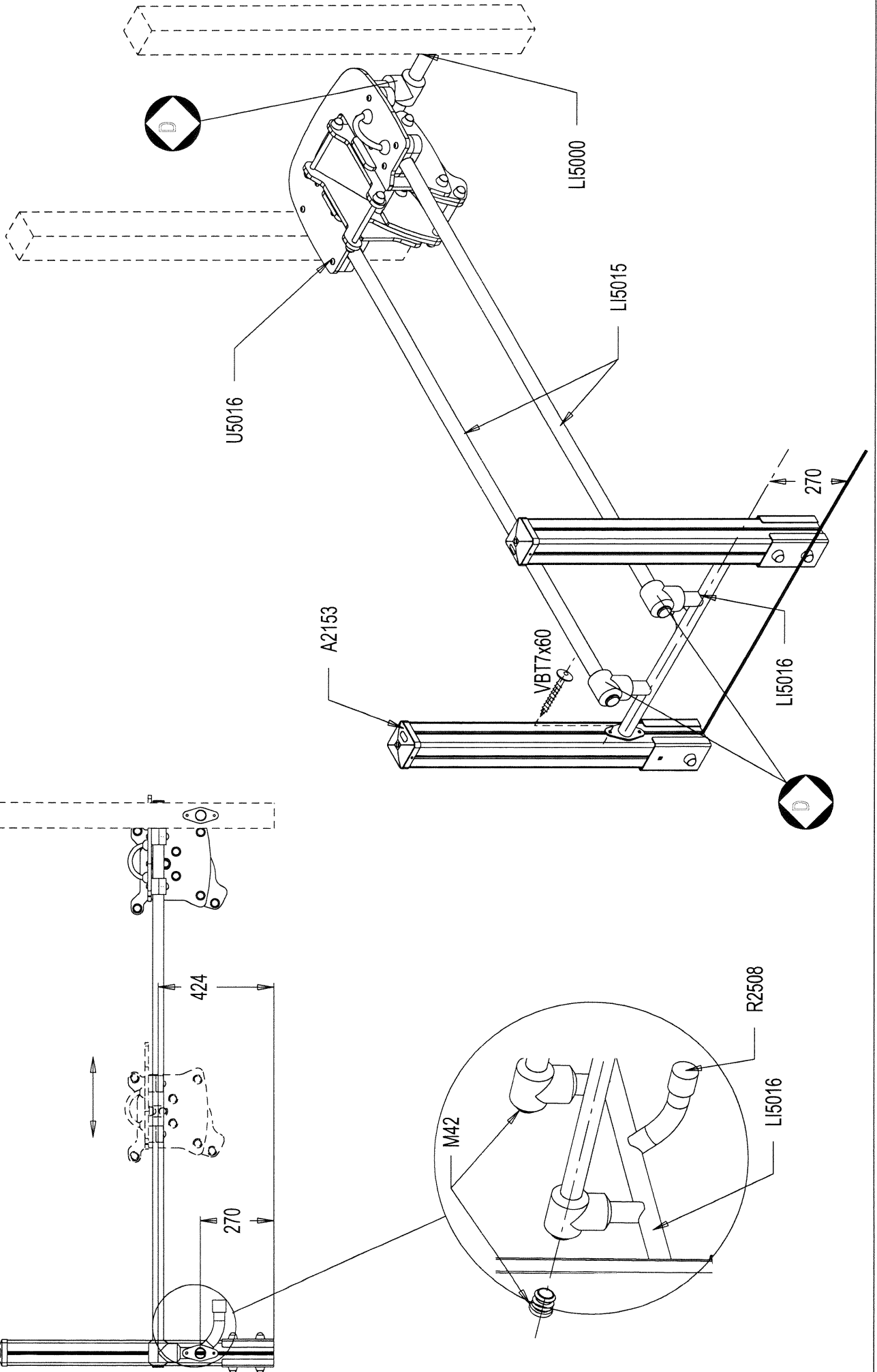
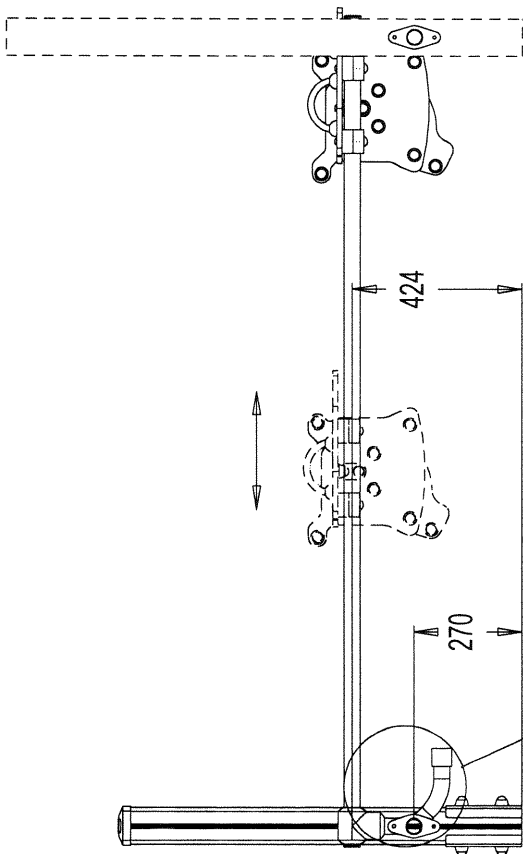


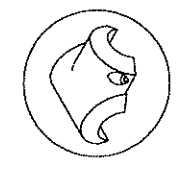
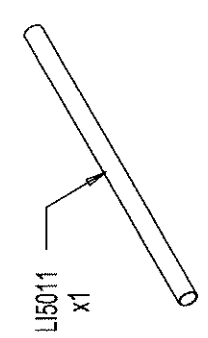
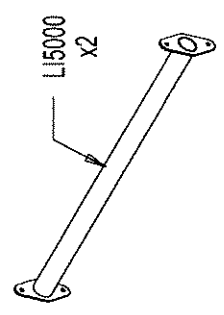
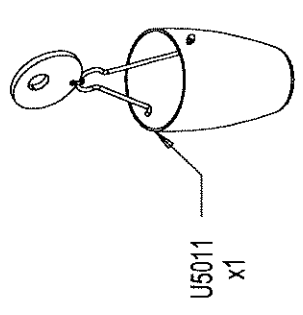
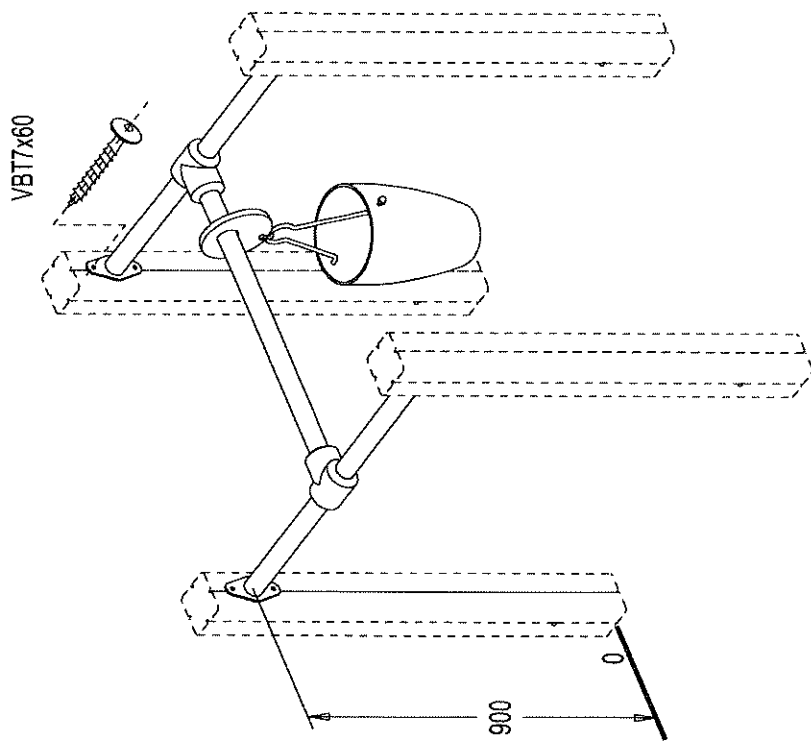


MI2502N x8



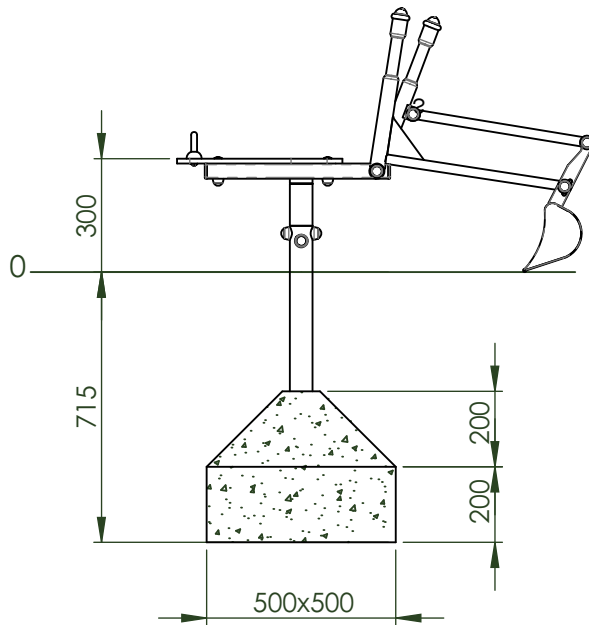
	VTF 10x60	4
	VTRCC10x120	2
	M10310N	6
	M10440N	6
	VECM10	2
	VG8*55I	4
	VBT 7x60	8
	VCZX 6x25	16
	VEBM6	16
	M42	2

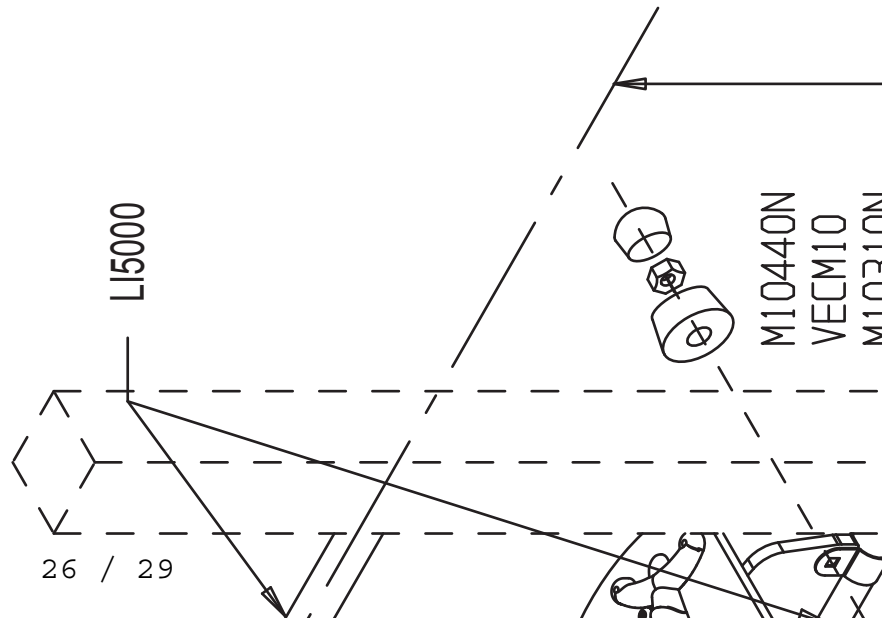
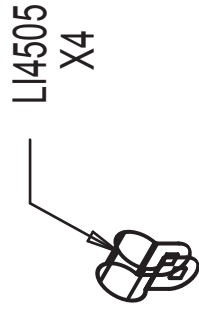
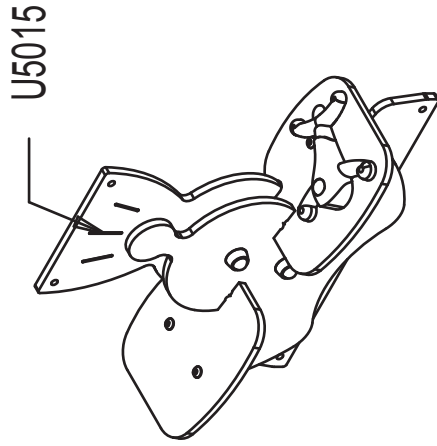
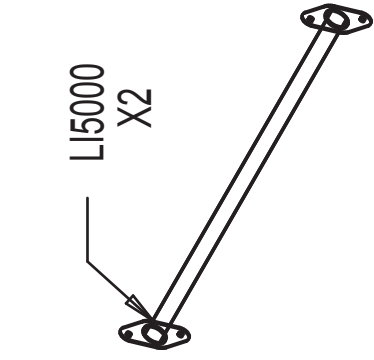




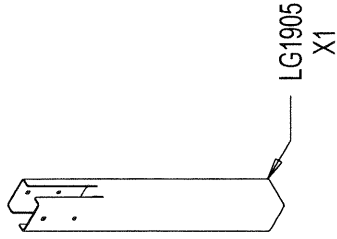
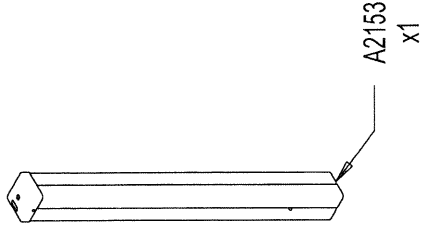
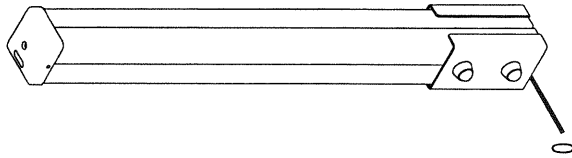
	VBT 7x60	8
	VCZX 6x25	8
	VEBMG	8

G5014A

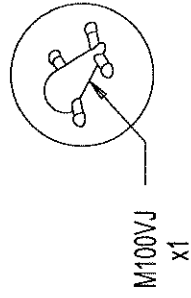
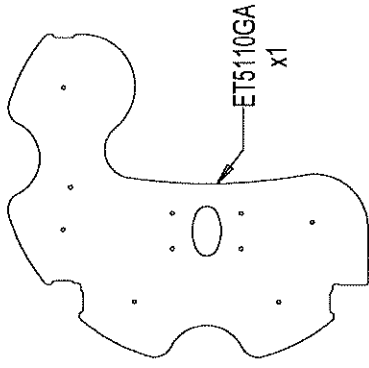
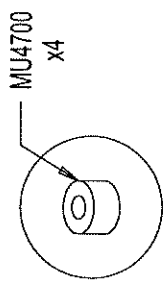
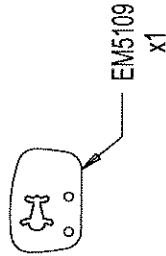
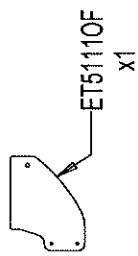
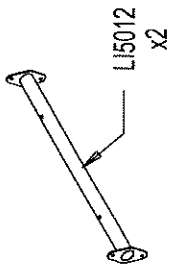
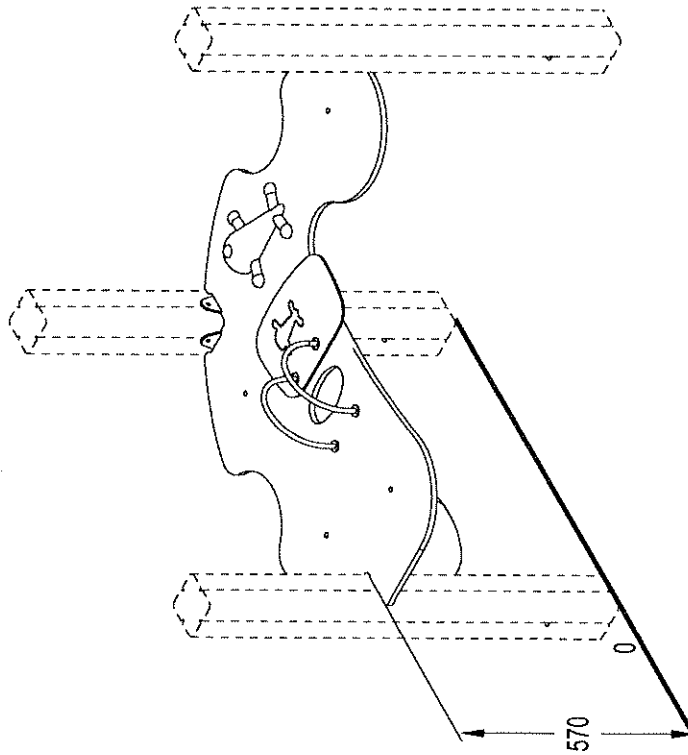




	VBT 7x60	8
	VCBHC10*30I	4
	M10310N	4



	VTF 10x60	2
	VTRCC10x120	1
	M10310N	3
	M10440N	3
	VECM10	1



	VBT 7x60	10
	VCBHC10X30I	2
	VCBHC10X70I	3
	VTRCC10x100	1
	70 mm :P13	1
	M10310N	6
	MI2503N	4
	M10440N	11
	VECM10	10

