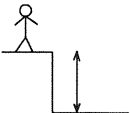


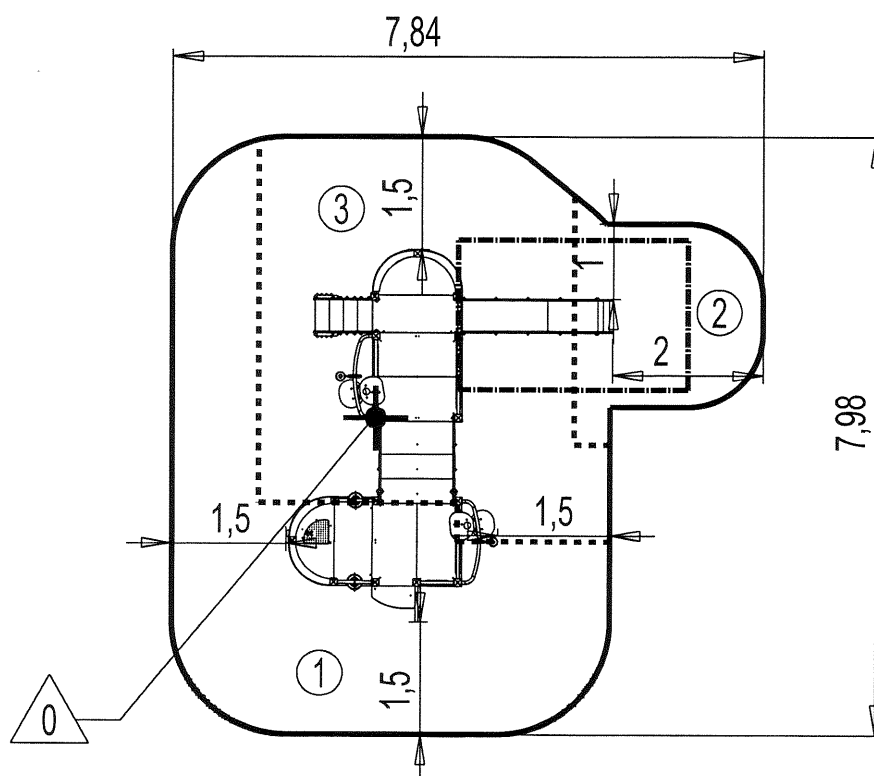
N°		M ²
①	0.6 m	21 m ²
②	1 m	6 m ²
③	1.17 m	21.5 m ²

— Zone d' Impact
Impact Area
Area de Impacto
Fallraum

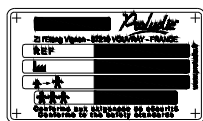
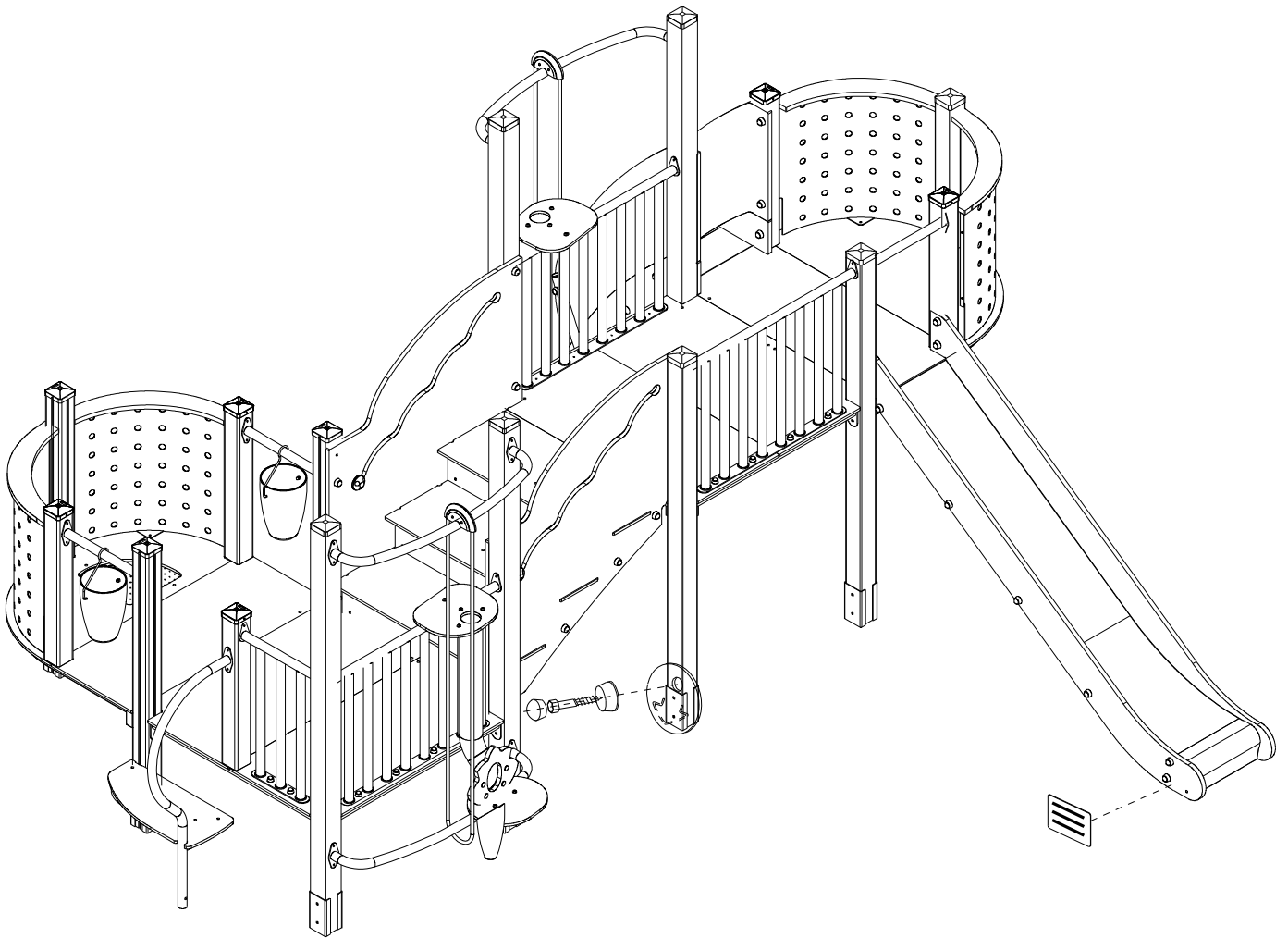
EN1176-1 : 2017

EN1176-3 : 2017

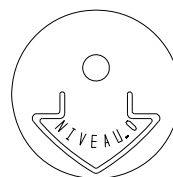
- - - Espace libre
Free Space
Espacio Libre
Freiraum



Point de Référence
Setting Out Point
Punto de referencia
Bezugspunkt

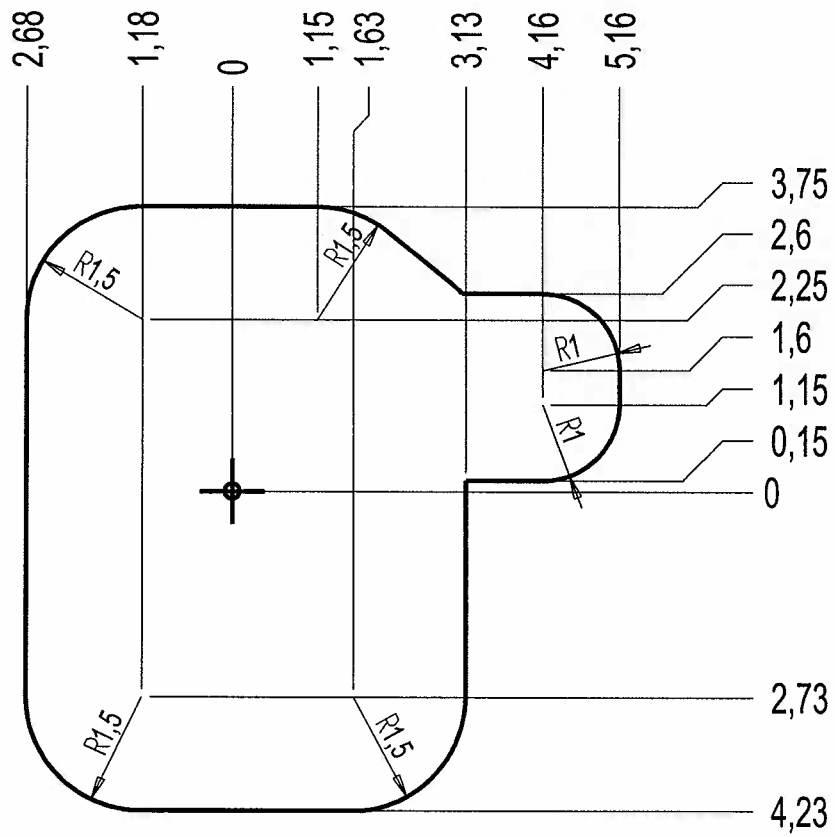


LA000

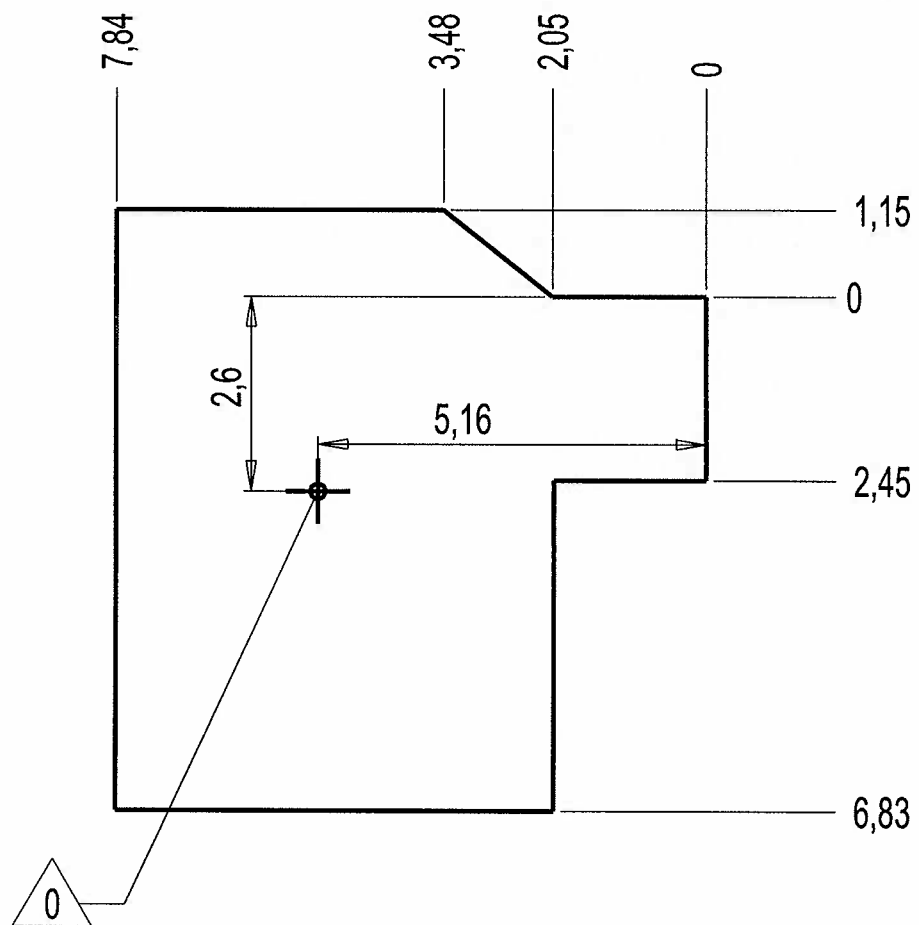


MI0002

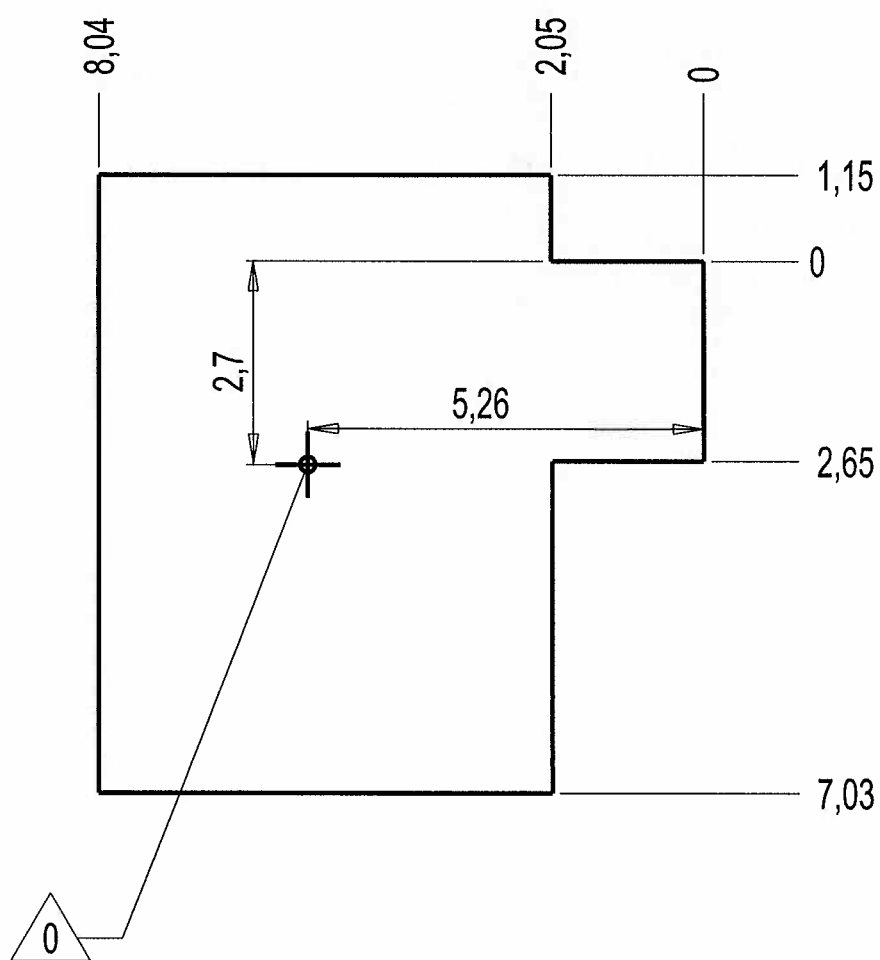
— Zone d'Impact **48.5 m²**
 Impact Area
 Area de Impacto
 Fallraum



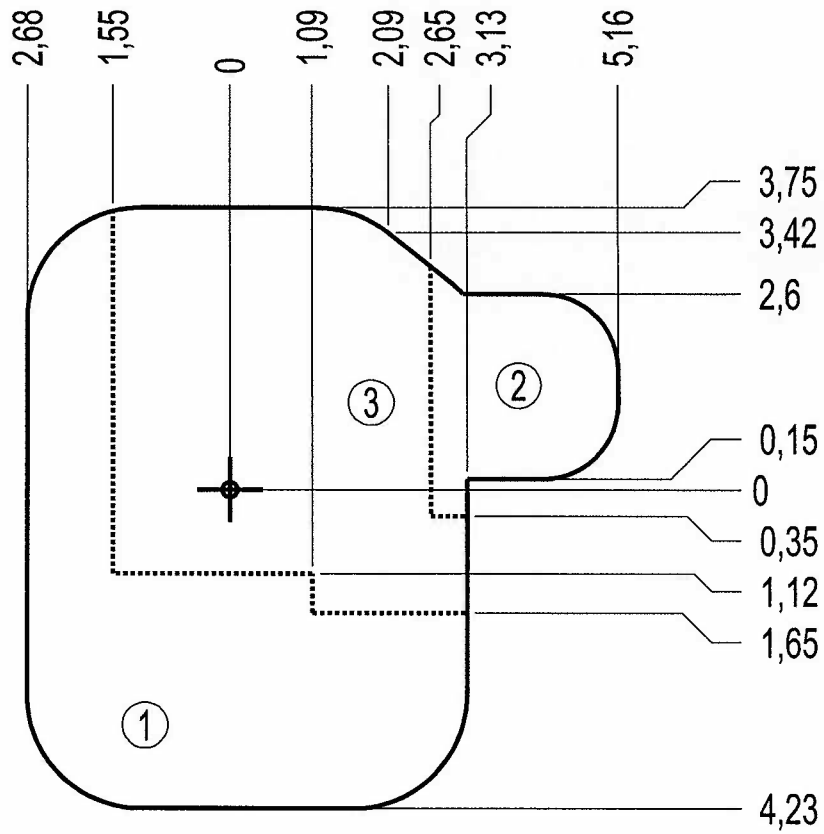
— Dalle béton 31 m
Concrete pad 50.5 m²
Solera de Hornigón
Beton Bodenplatte

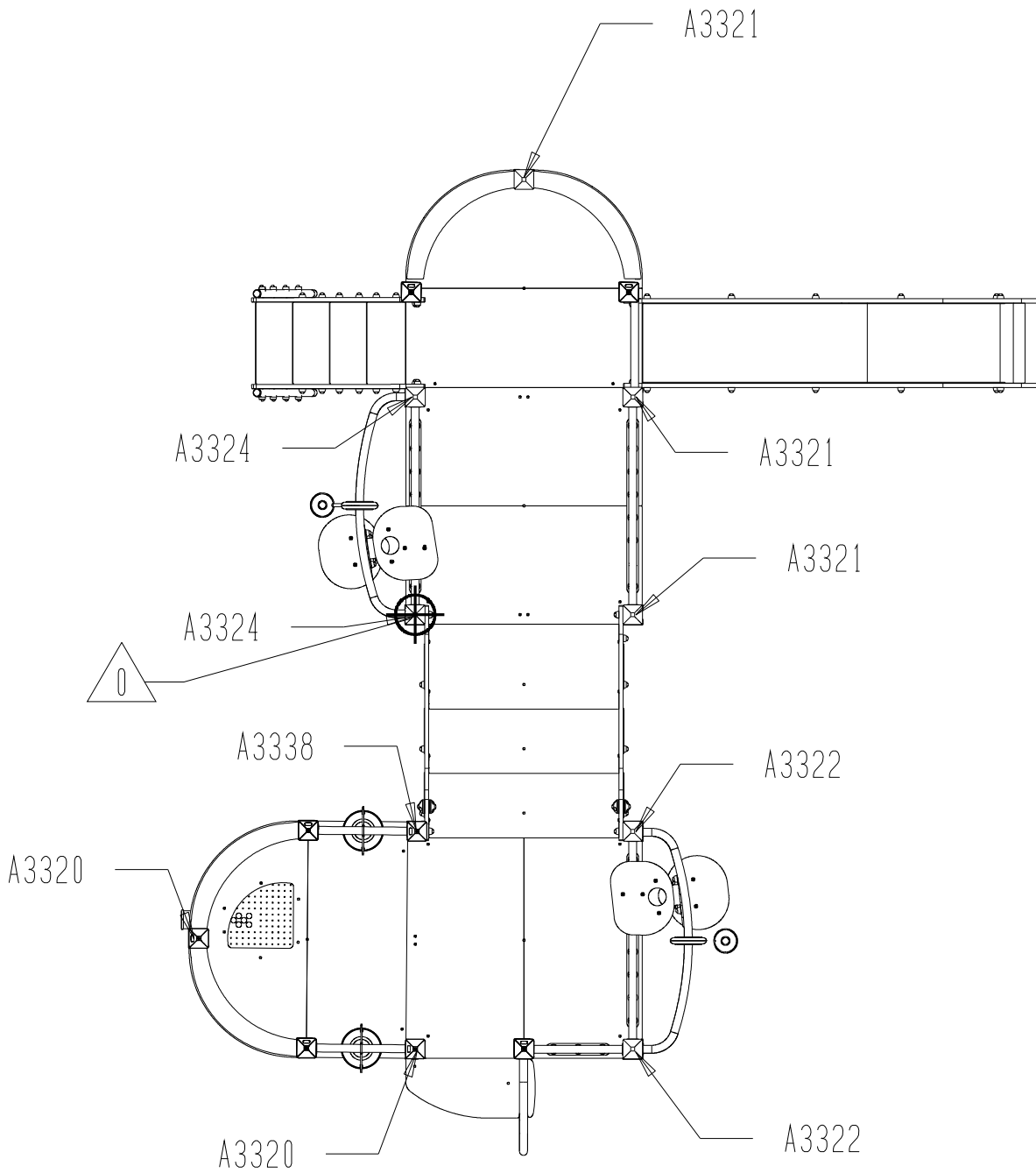


— Sol fluent 32.5 m
Loose particle material 54.5 m²
Arenero
Loses Bodenmaterial

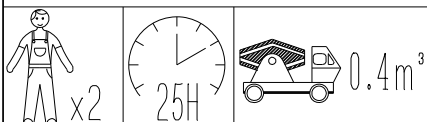
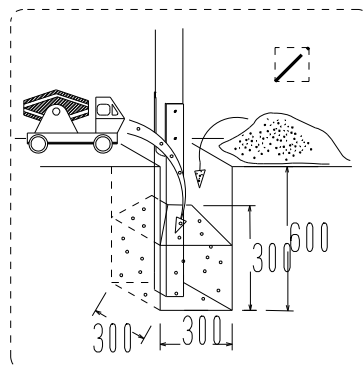
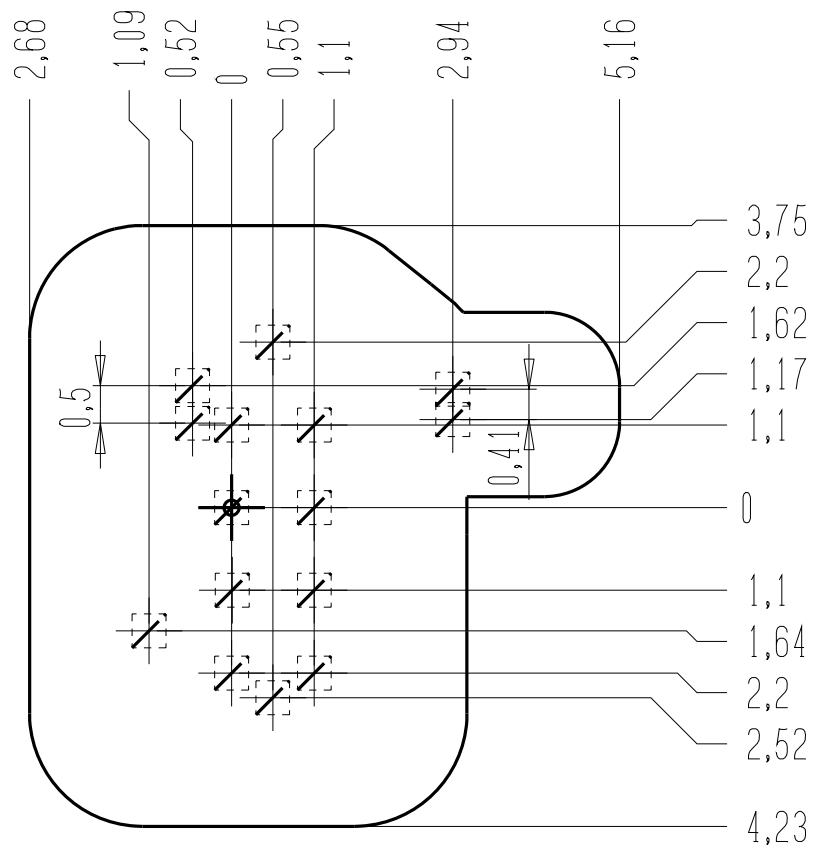


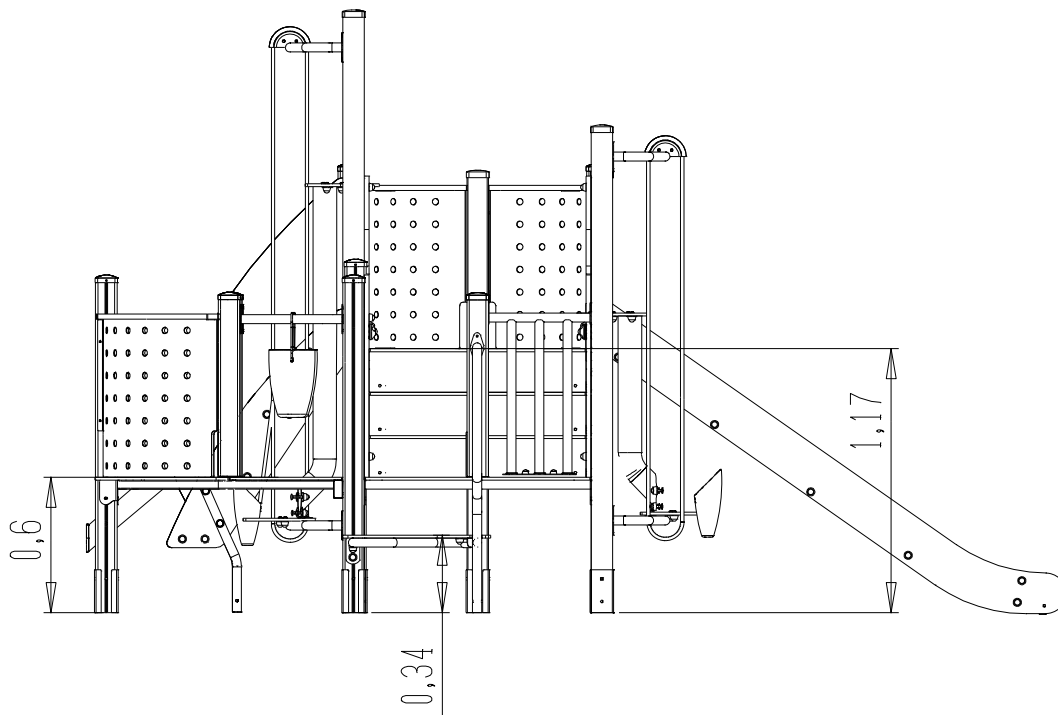
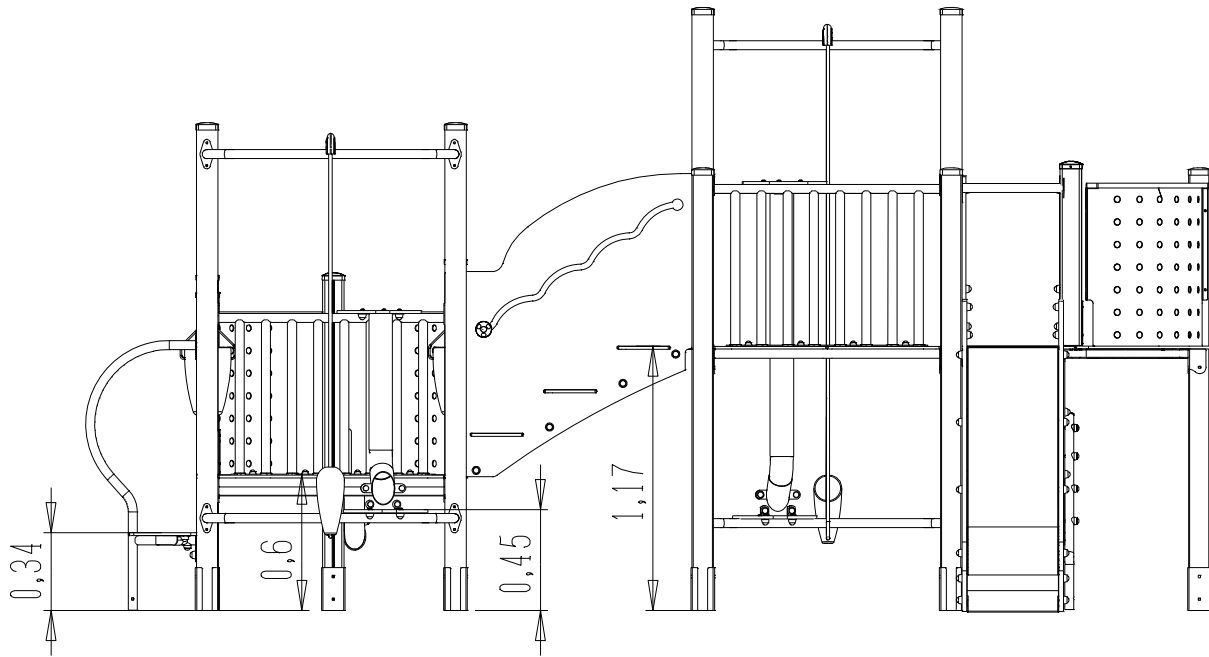
— Sol souple 48.5 m²
 Wetpour
 Caucho Continuo
 Synthetischer Fallschutz

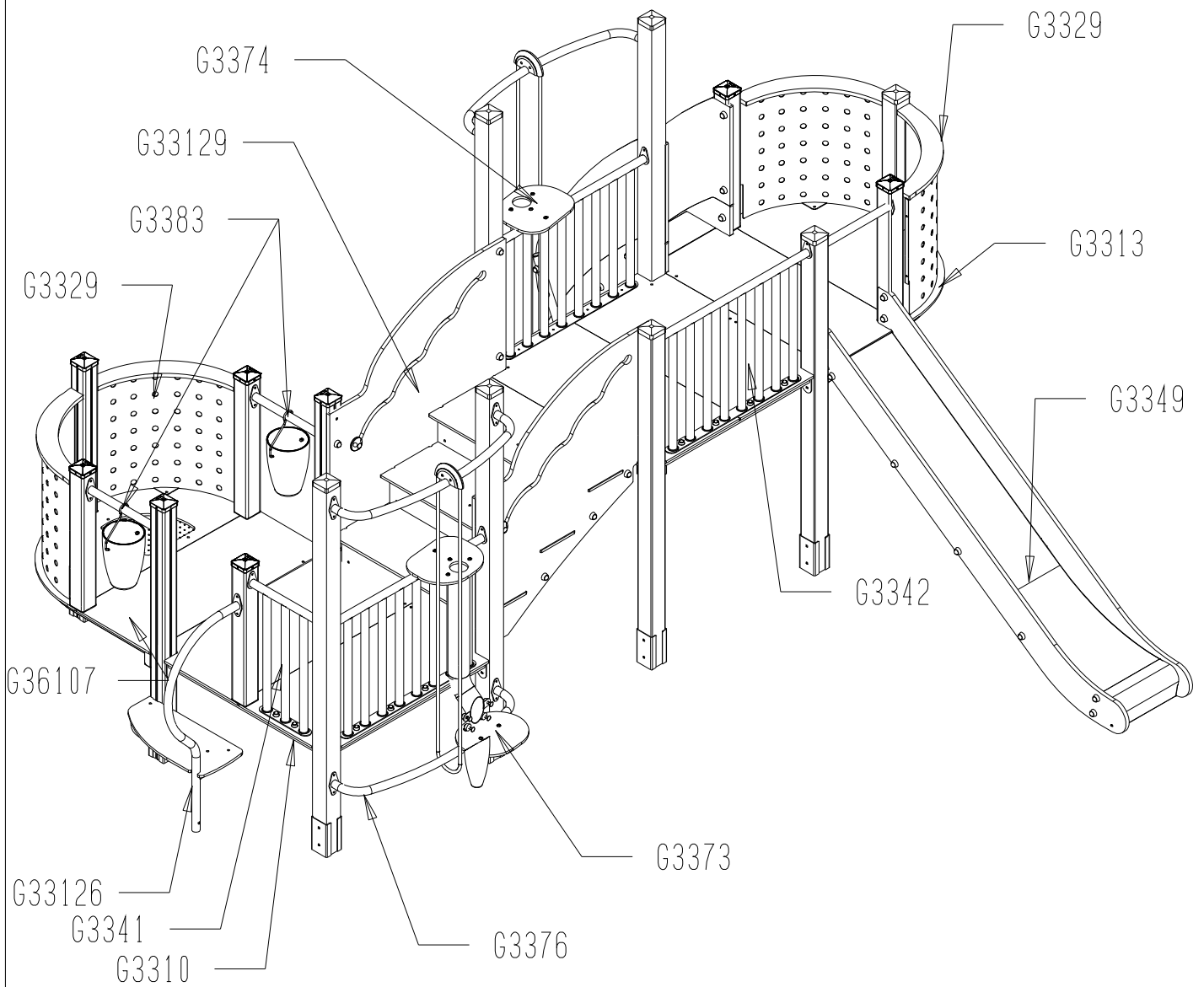


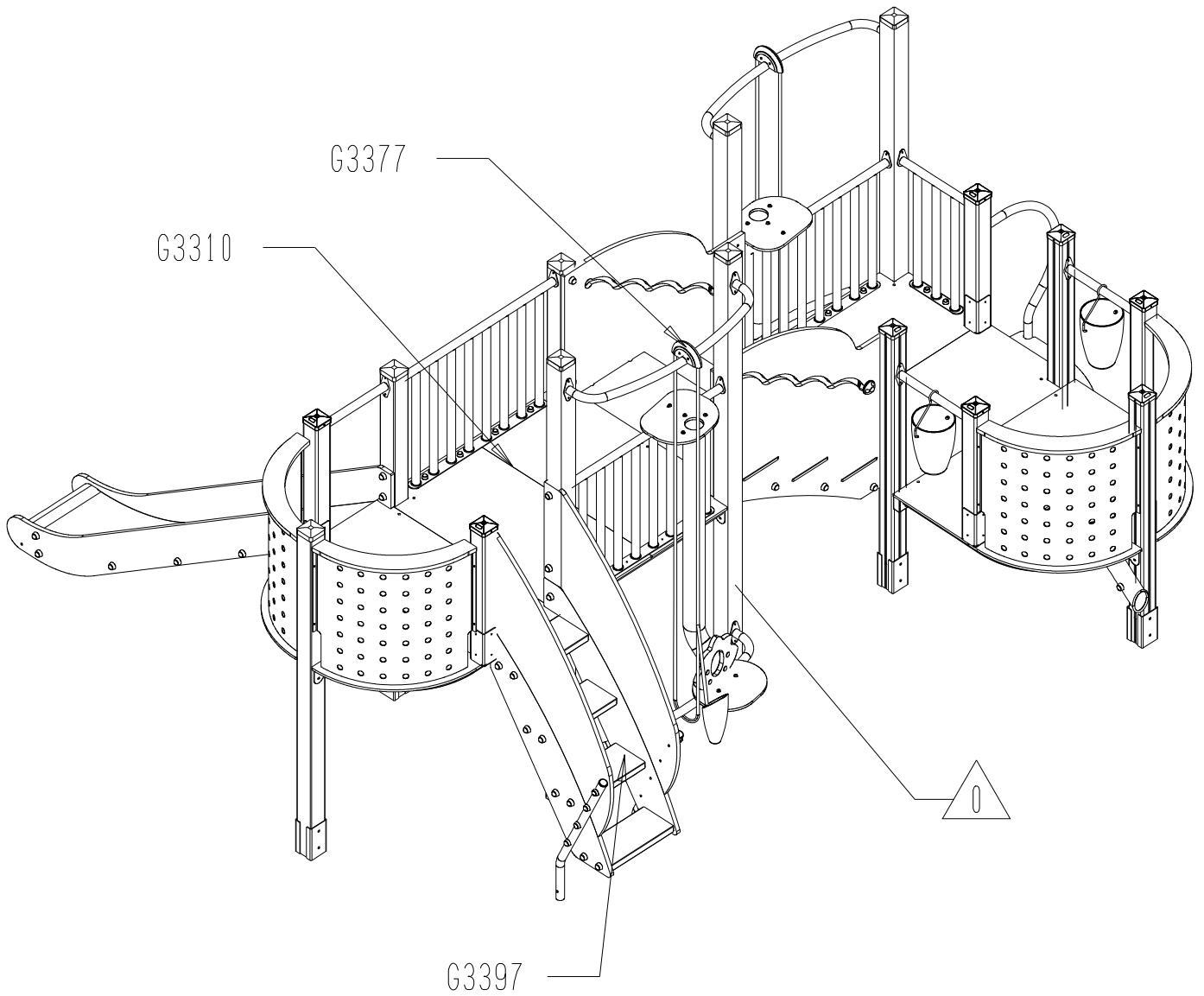


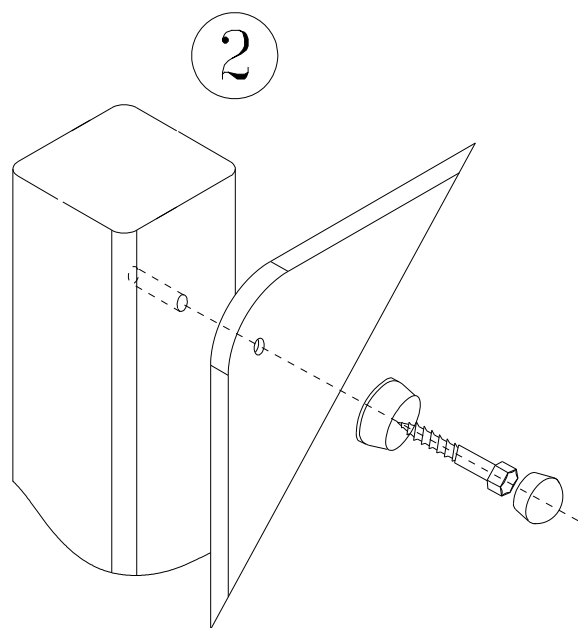
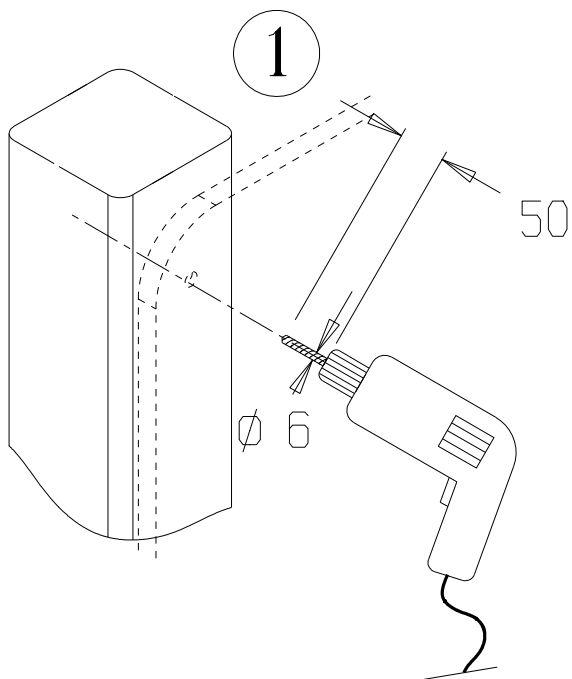
Implantation
 Footing plan
 Implantación
 Fundamentplan

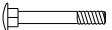
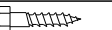





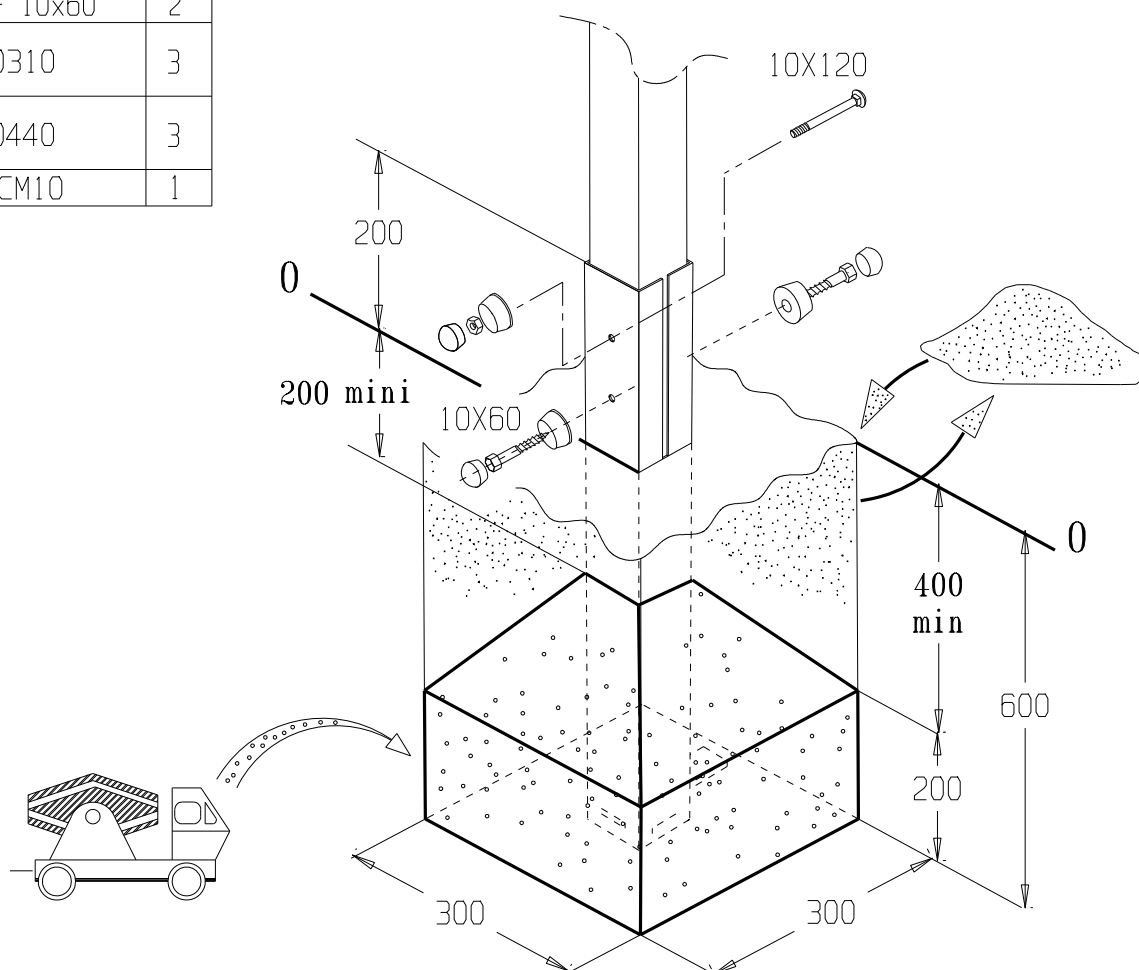
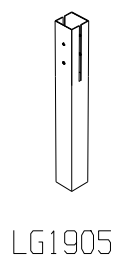


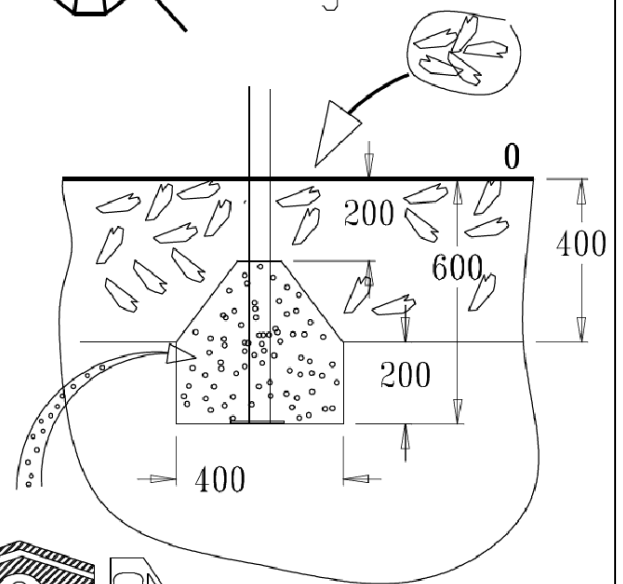
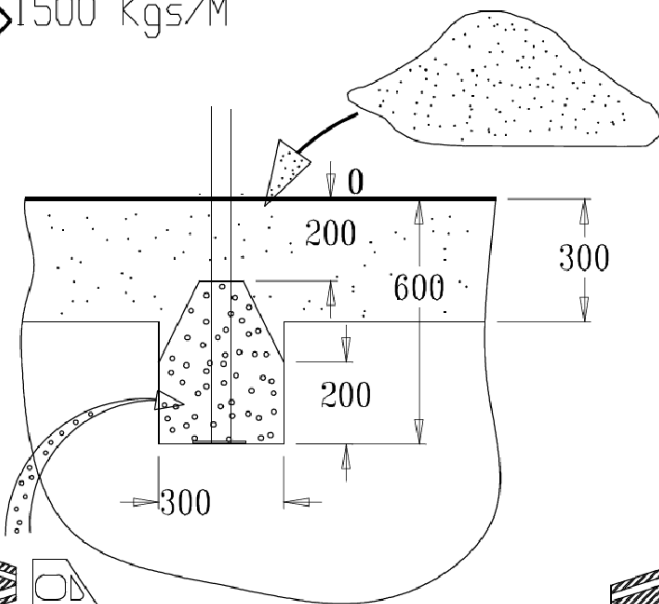
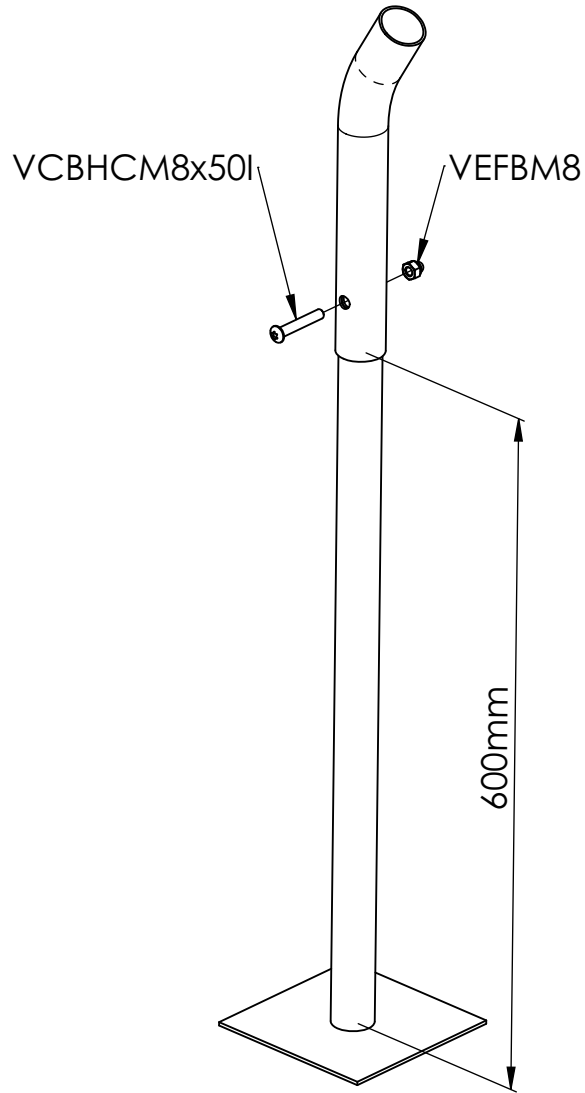




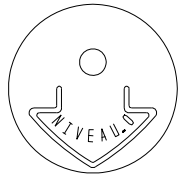


	VTRCC10x120	1
	VTF 10x60	2
	M10310	3
	M10440	3
	VECM10	1



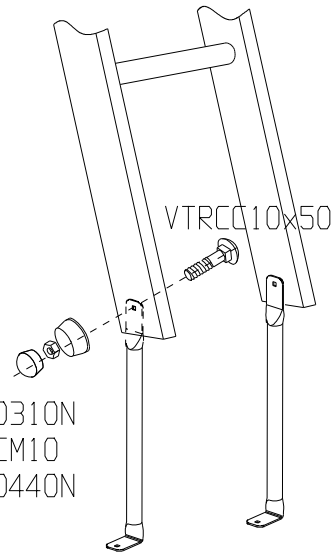
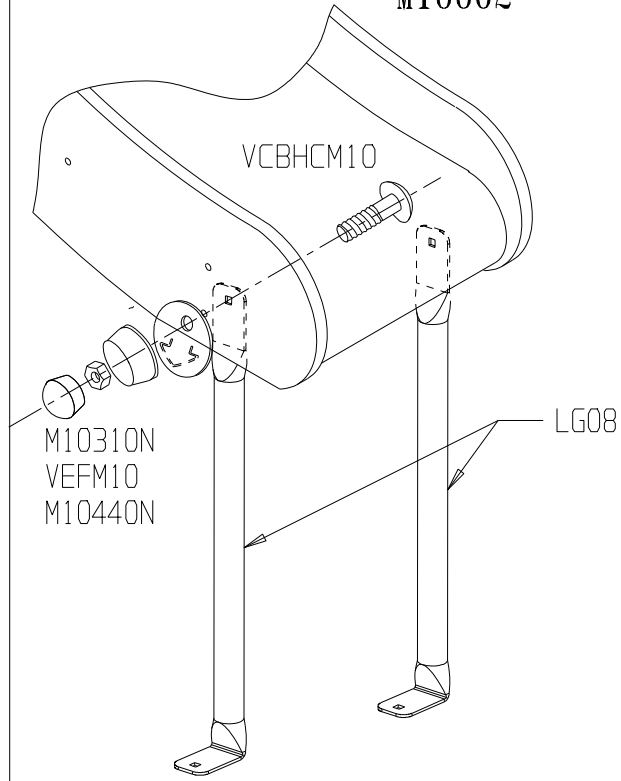
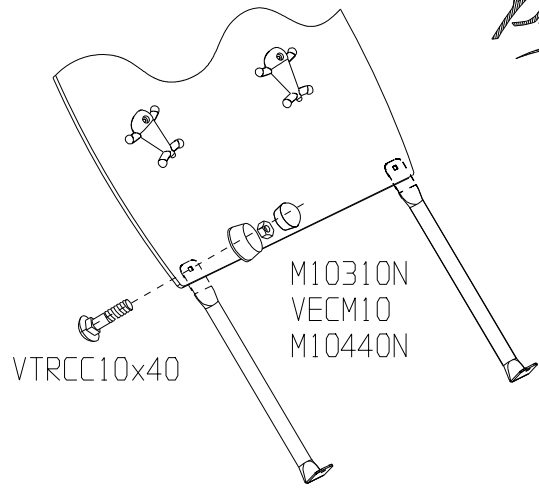


A



MI0002

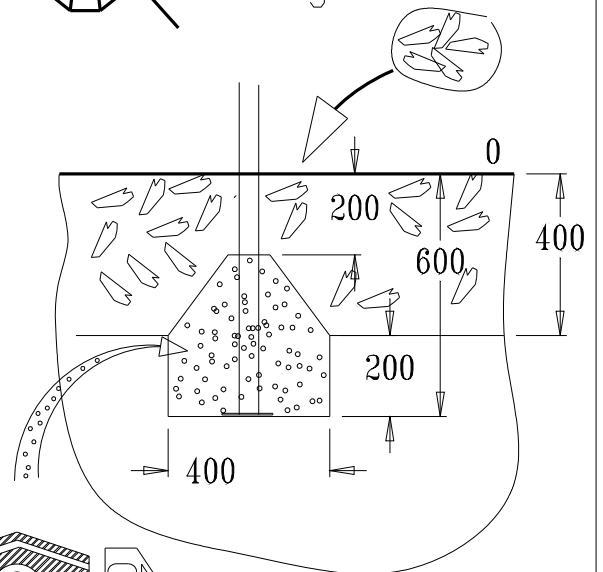
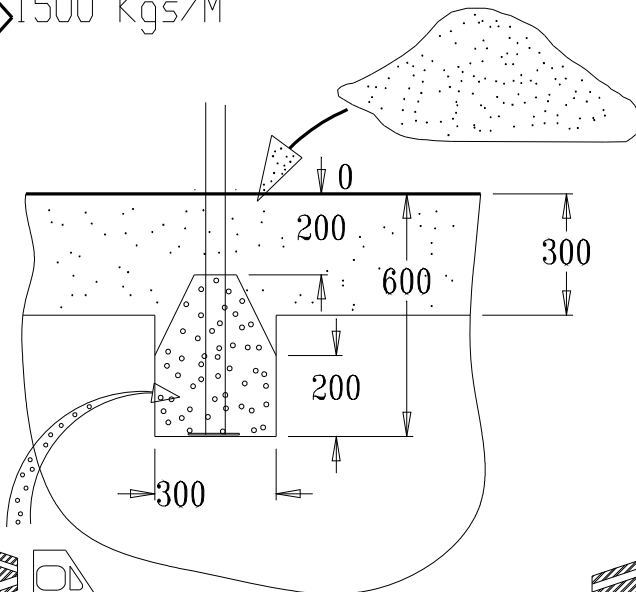
Proludic

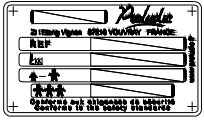


> 1500 Kgs/M³

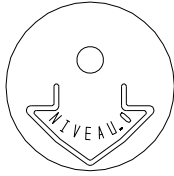


< 1500 Kgs/M³

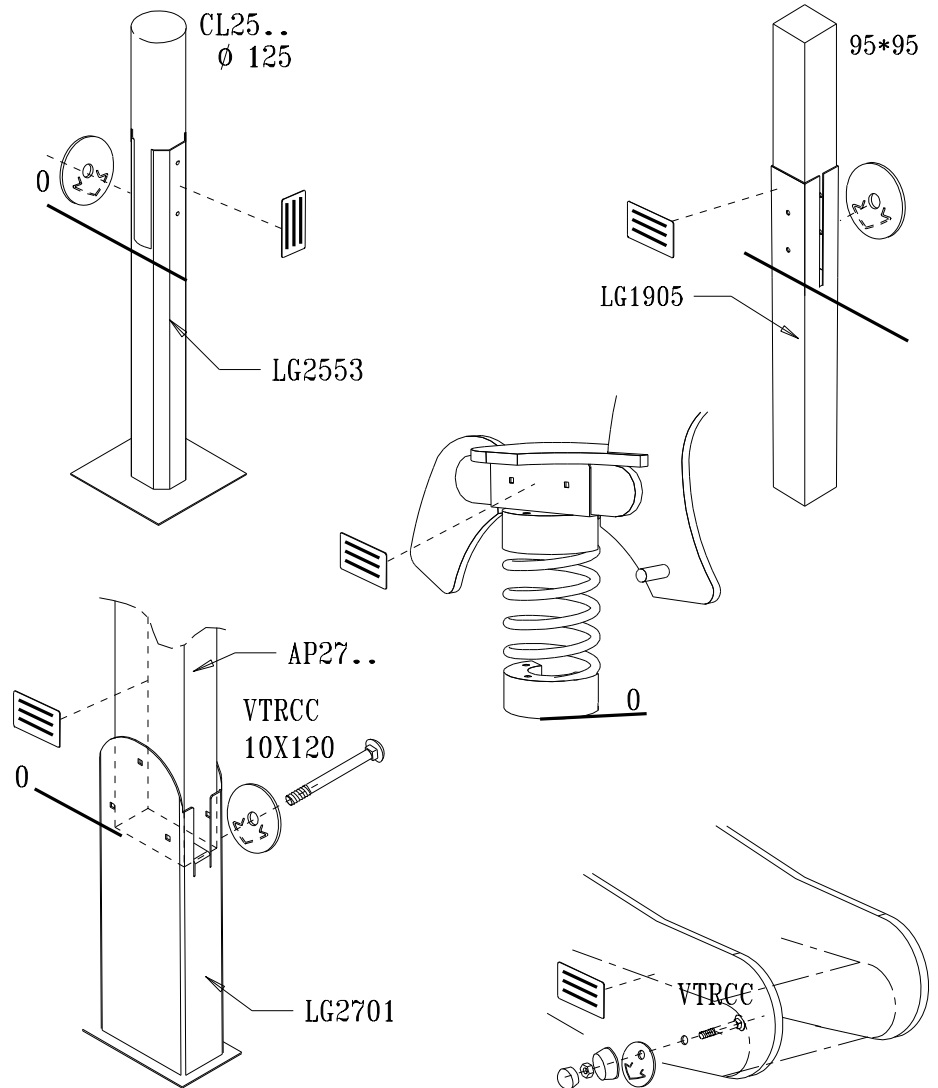
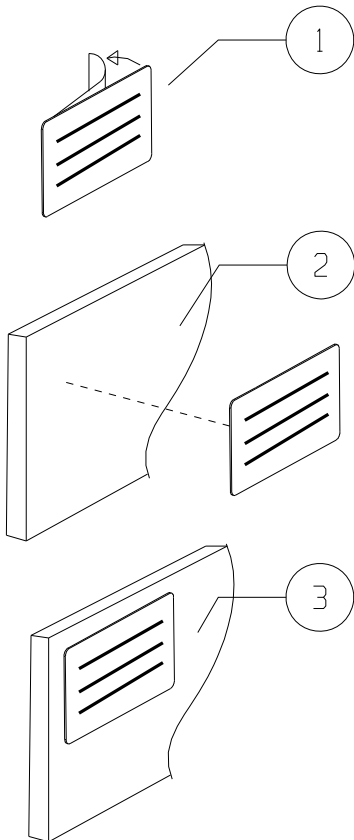
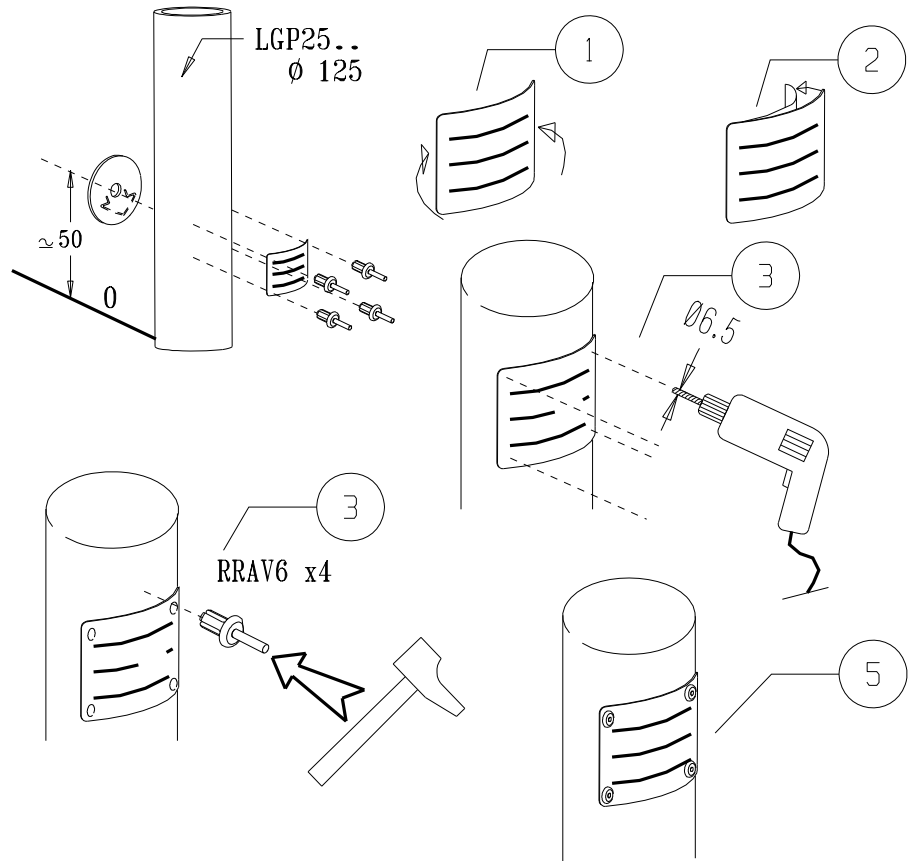


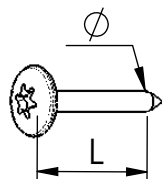


LA000



MI0002

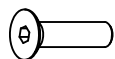




VBT 6 x 30
 \varnothing \uparrow L (mm)



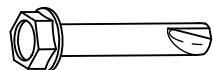
VEC M10
 \varnothing



VFHC



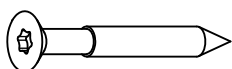
VEF



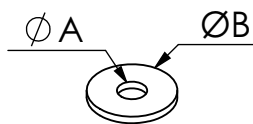
VTHA



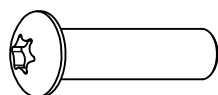
VEB



VWT



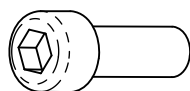
VR6x18
 $\varnothing A$ $\varnothing B$



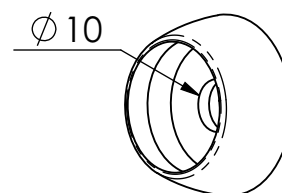
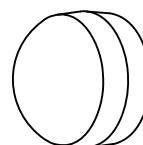
VCBHC



VGC

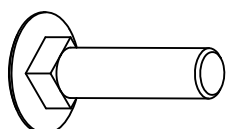


VBTR

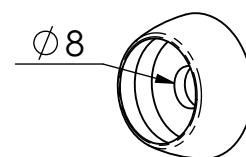
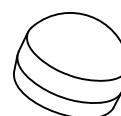


M10 440N

M10 310 N

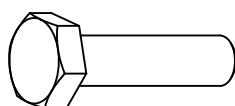


VTRCC

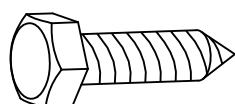


M8440N

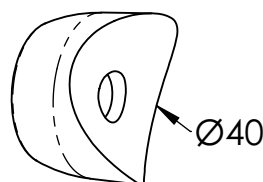
M8310N



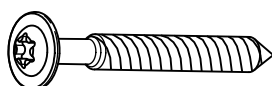
VTH



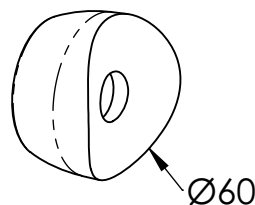
VTF



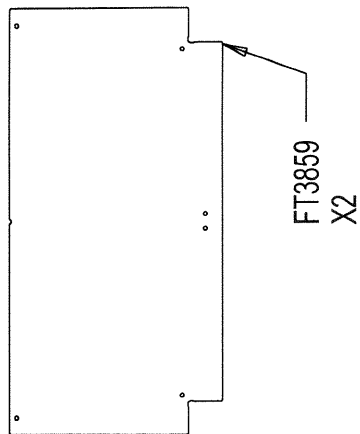
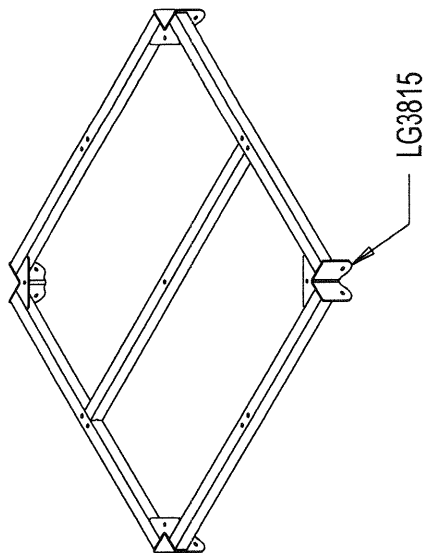
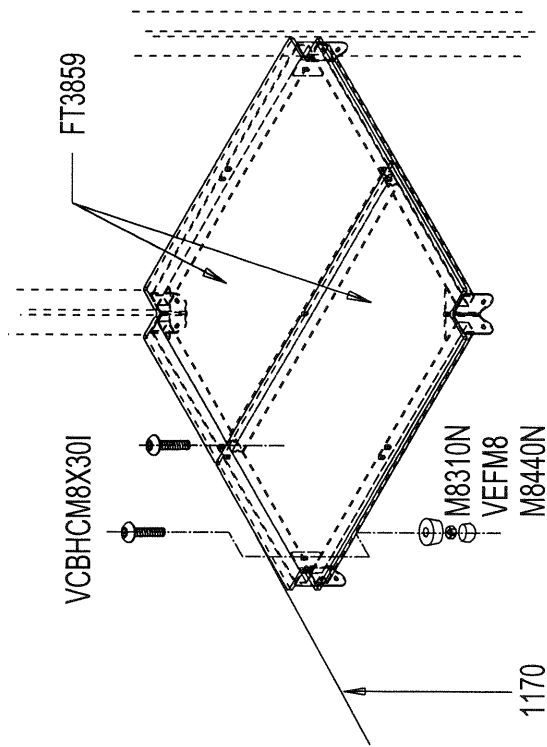
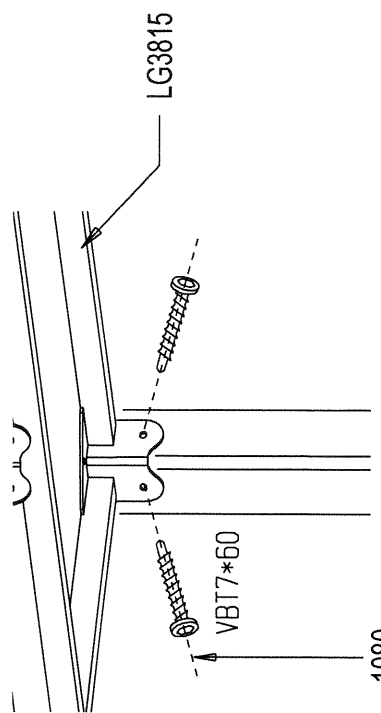
MI2503



VBT

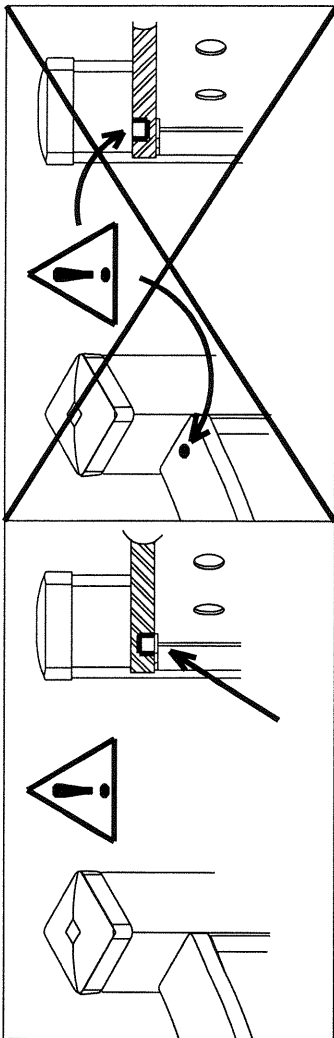


MI2701



	1.17	1.08
	1.37	1.28
	1.77	1.68

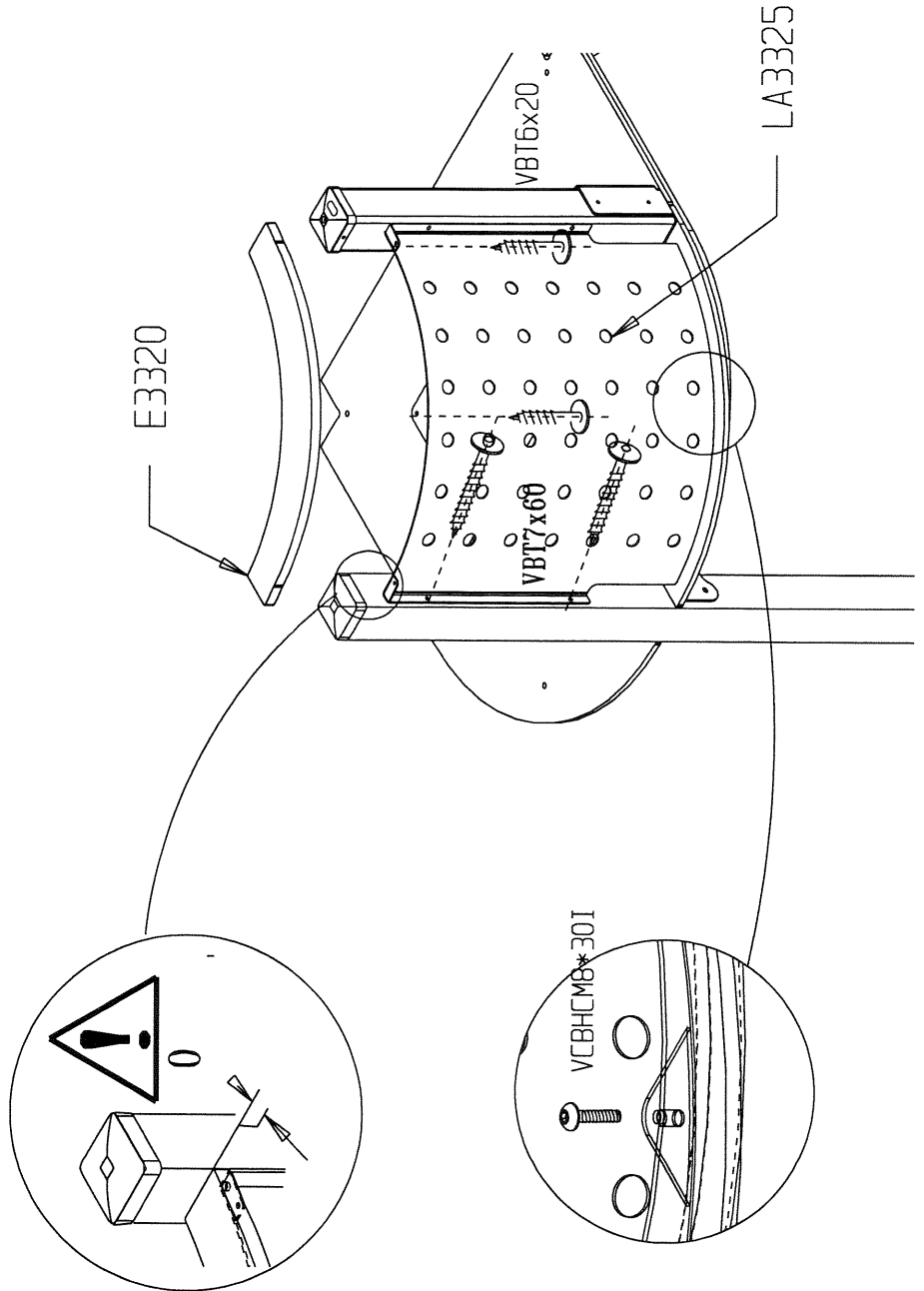
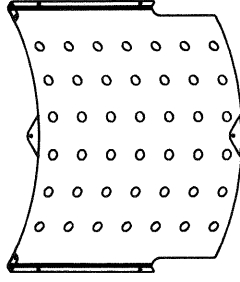
	VBT 7x60	8
	M8440N	4
	M8310N	4
	VEFM8	4
	VCBHCM8X30I	9



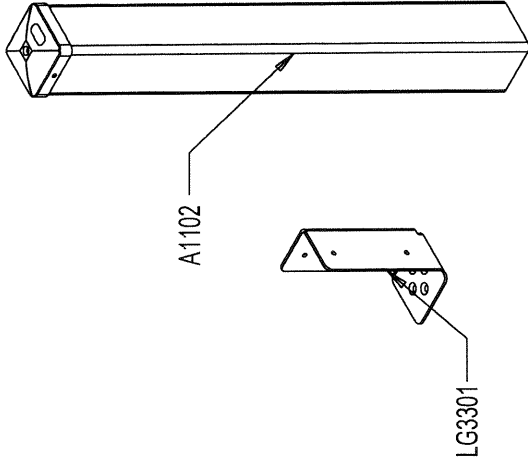
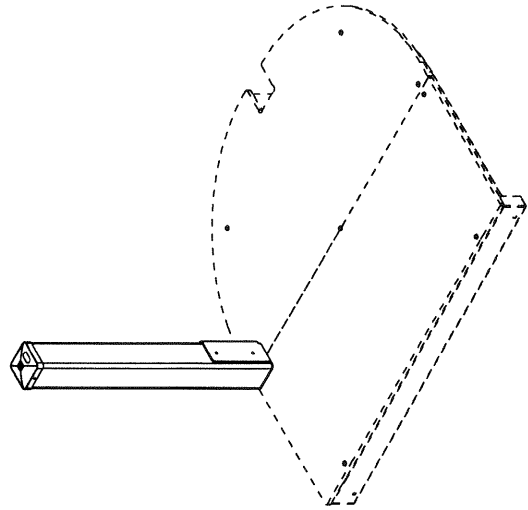
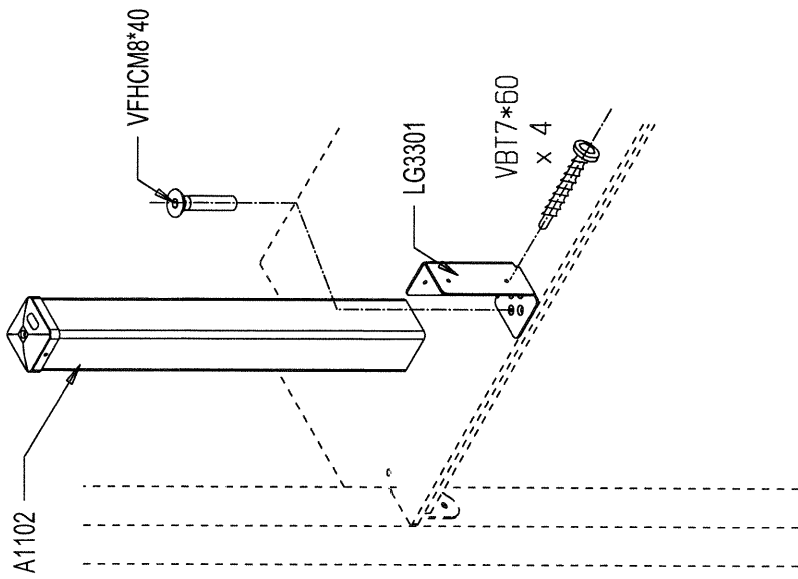
E3320 DF x 1



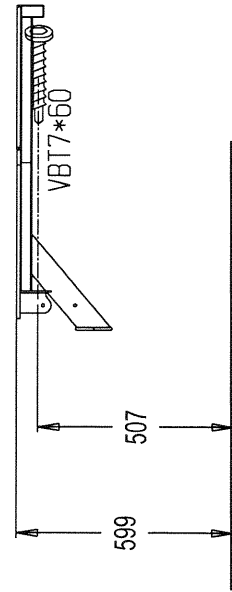
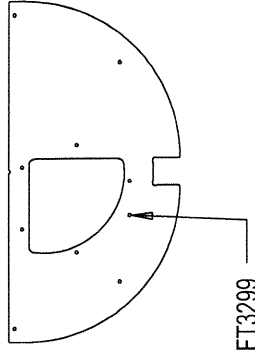
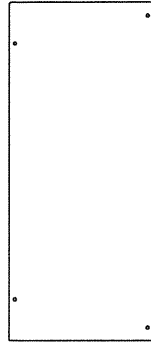
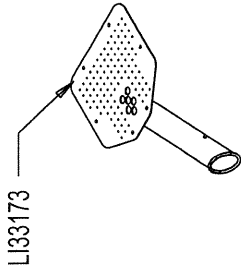
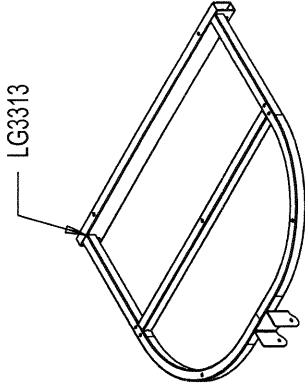
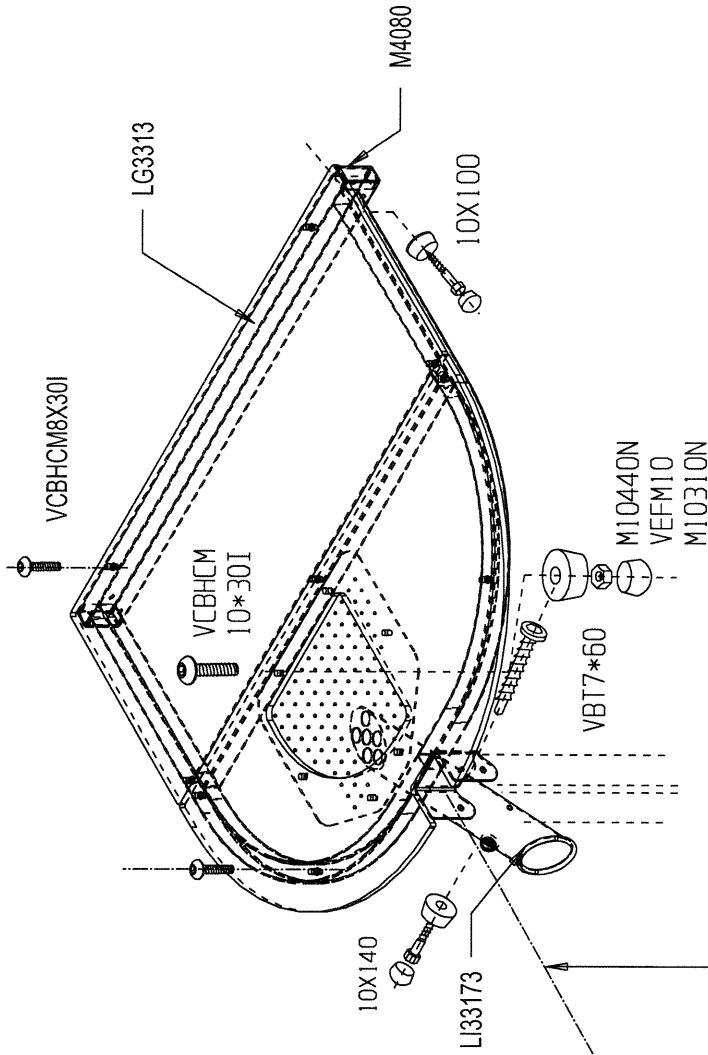
LA3325G x 1



	VBT 7x60	4
	VBT 6x20	3
	VCBHCB*30I	1

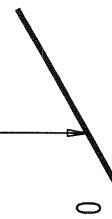
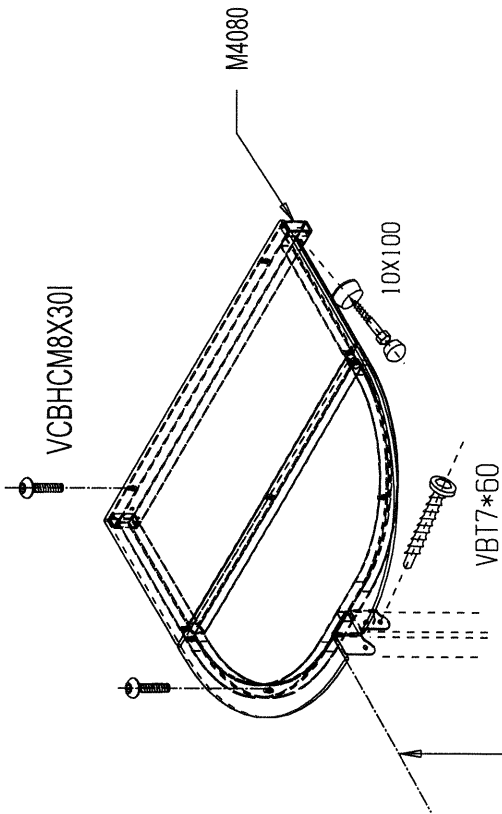


	VFHCM8*40	2
	VBT 7x60	4

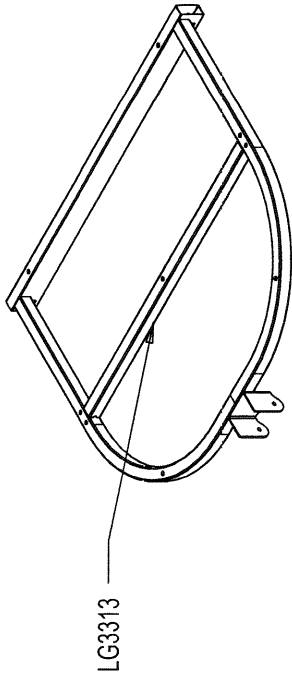
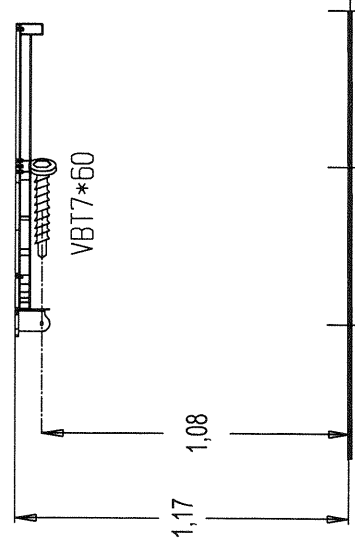


	1.17	1.08	
	0.60	0.507	

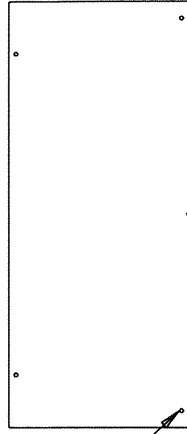
	M40X80	2
	VBT 7x60	3
	VTF 10x100	2
	M10310N	9
	M10440N	9
	VCBHC8X30I	9
	VEFM10	6
	VCBHC10*30I	6
	VTF10x140	1



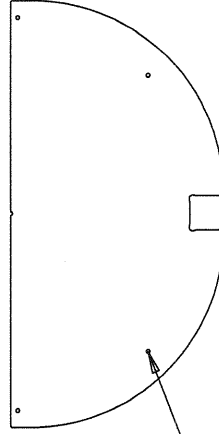
	1.17	1.08
	1.37	1.28
	1.77	1.68



LG3313

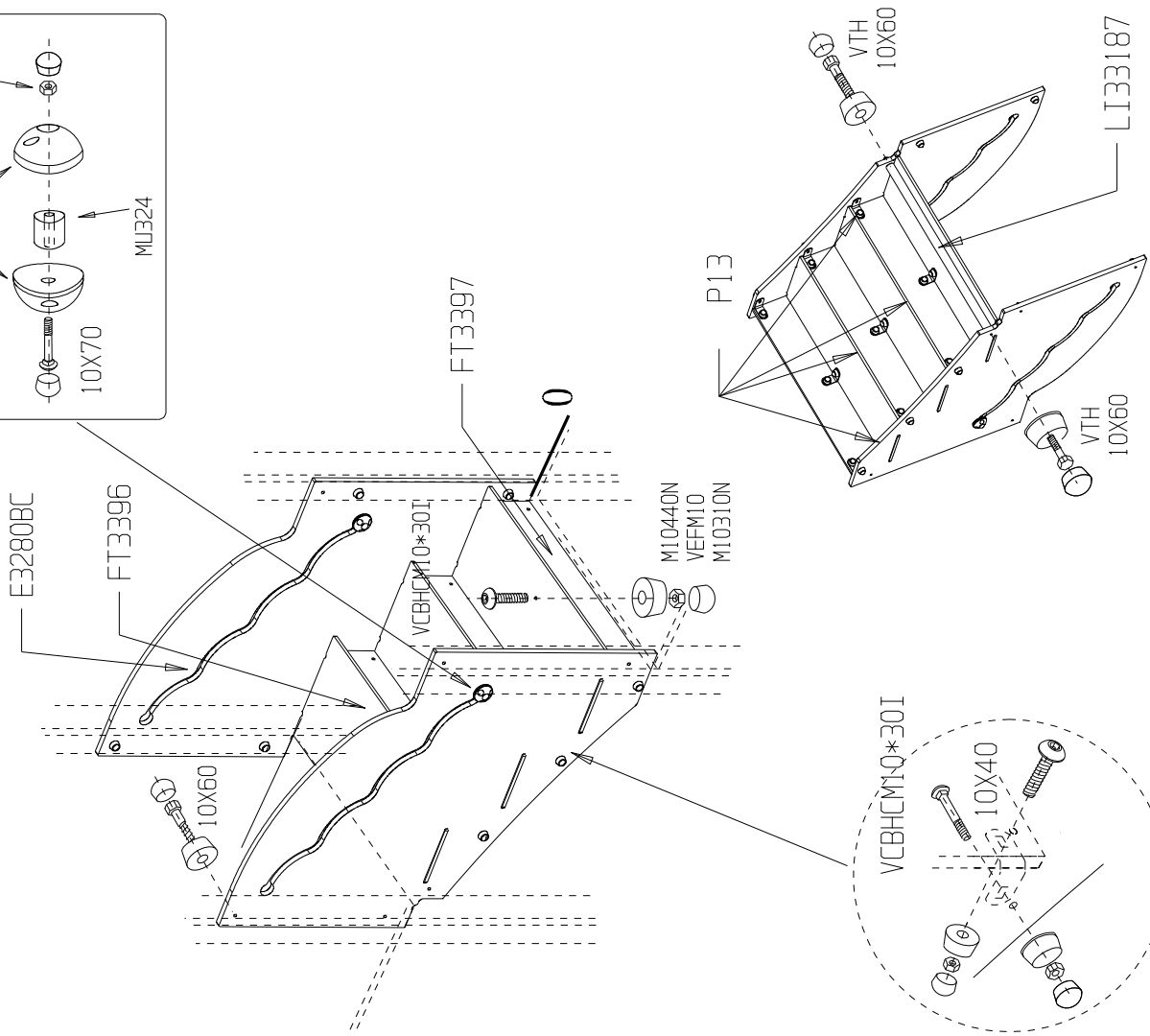
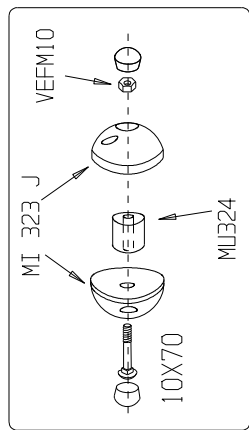


FT3385

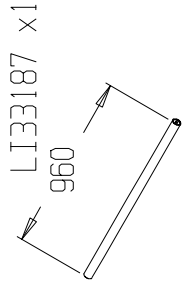
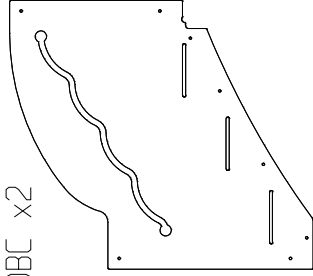


FT3860

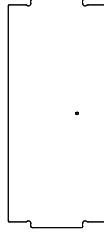
	M4X80	2
	VB7 7x60	3
	VTF 10x100	2
	M10310N	2
	M10440N	2
	VCBHCM8X30I	9



E3280BC x2



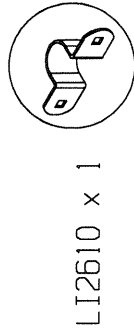
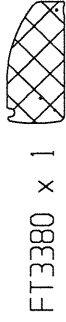
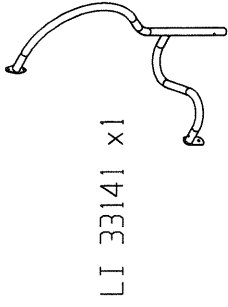
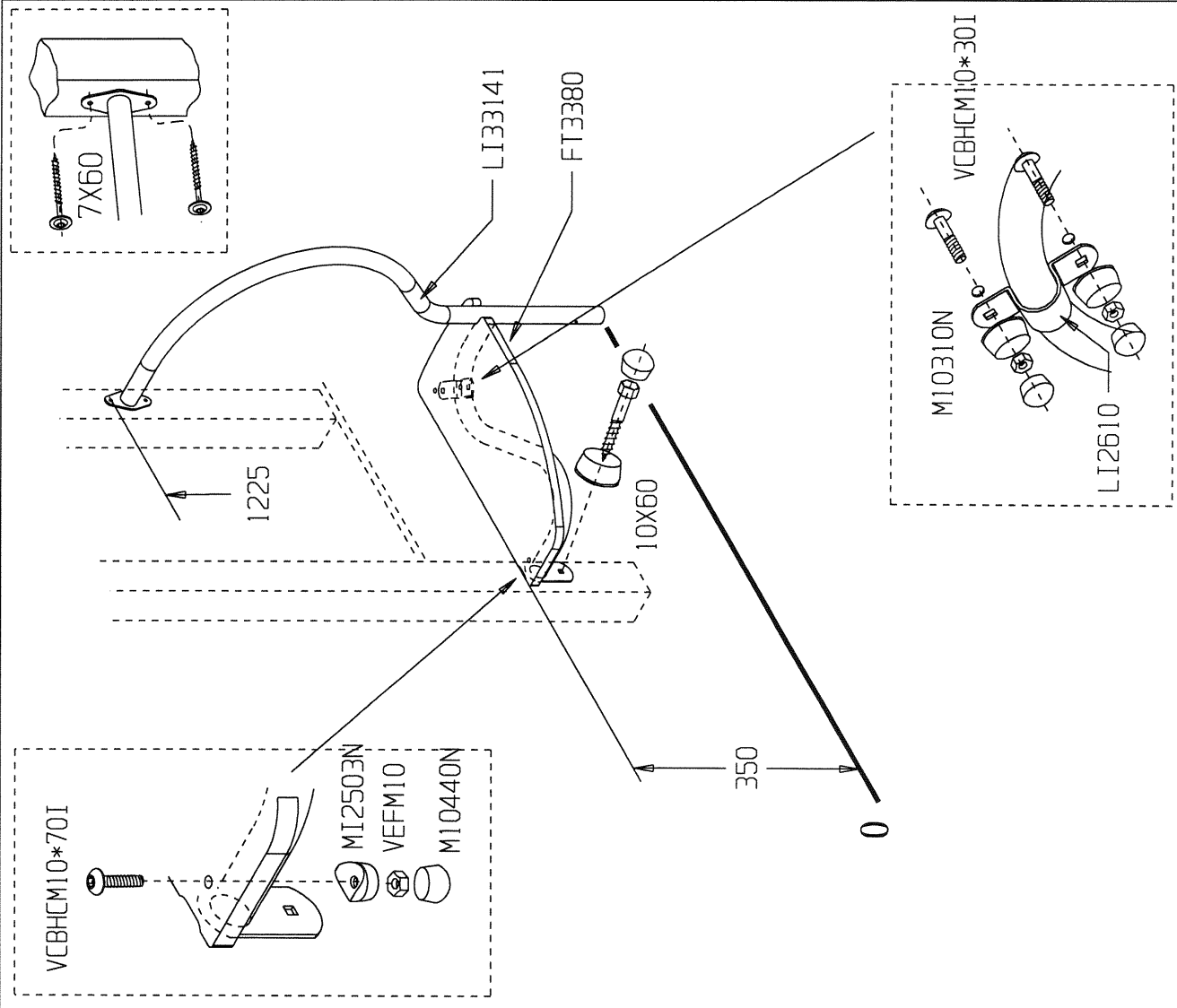
FT3396 x 3



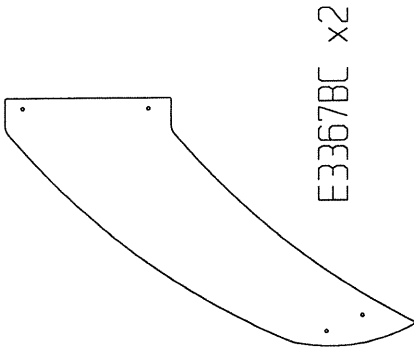
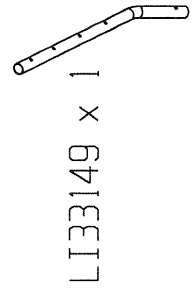
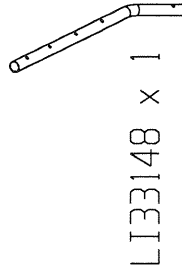
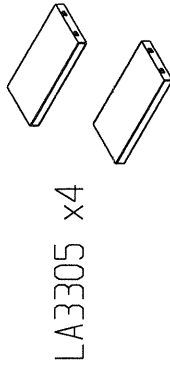
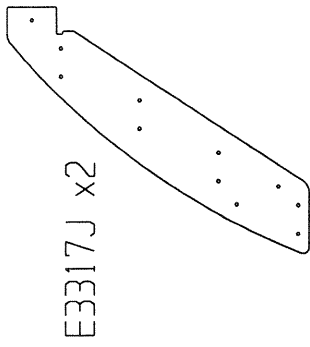
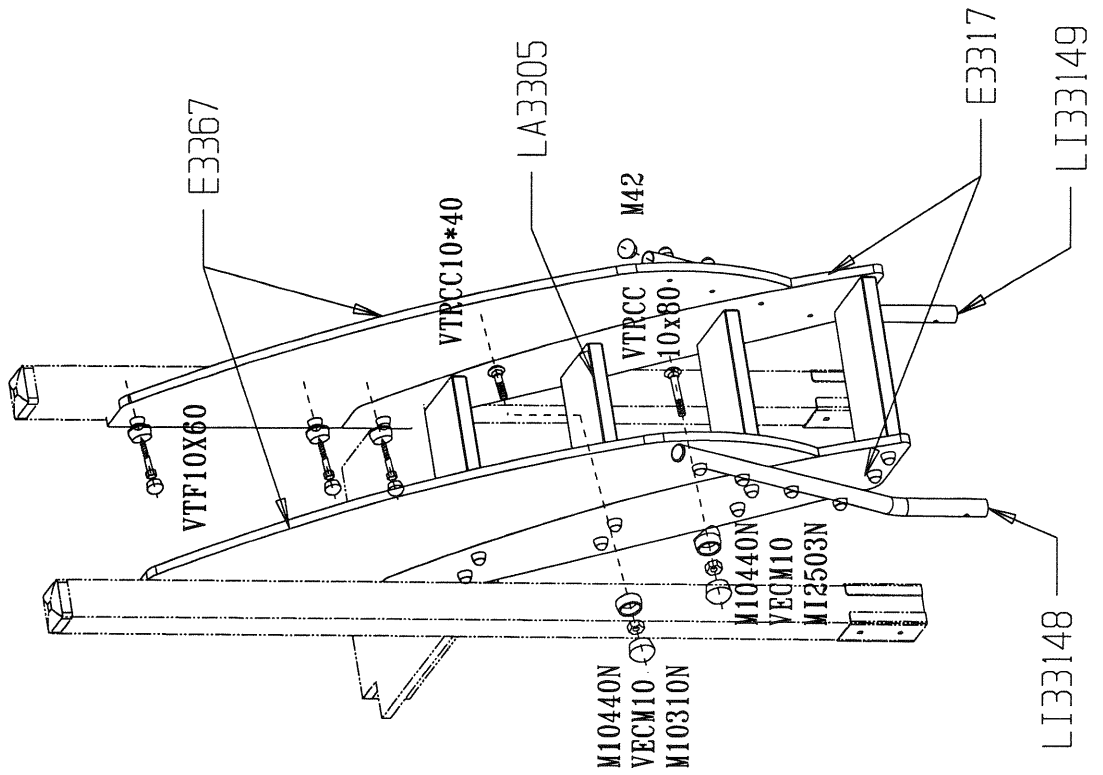
FT3397 x 3



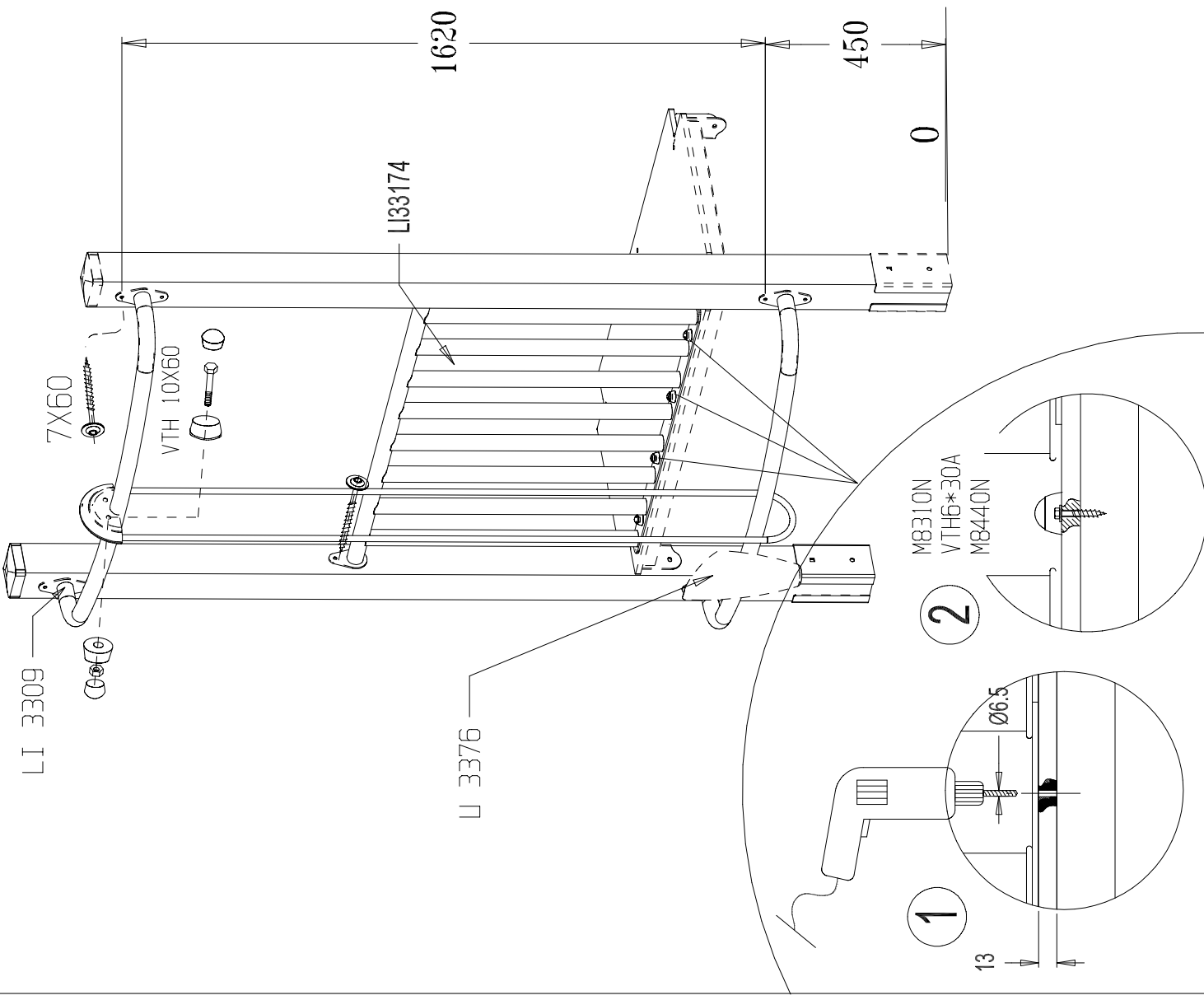
	VTH 10x60	2
	VCBHC10*30I	12
	VTF 10x60	8
	VTRCC10x40	6
	VTRCC10x70	2
	M10310N	28
	M10440N	32
	VECM10	6
	VEFM10	14
	MI 323 J	4
	MU324	2
	70 mm :P13	9



	VBT 7x60	2
	VCBHCM10*30I	2
	VCBHCM10*70I	1
	VTF 10x60	1
	M10310N	3
	M10440N	4
	VEFM10	3
	M2503	1



	VTRCC10x80	8
	VTRCC10x40	16
	M42	2
	MI2503	8
	M10310N	22
	M10440N	30
	VECM10	24
	VTF 10x60	6



LI 3309 x 1

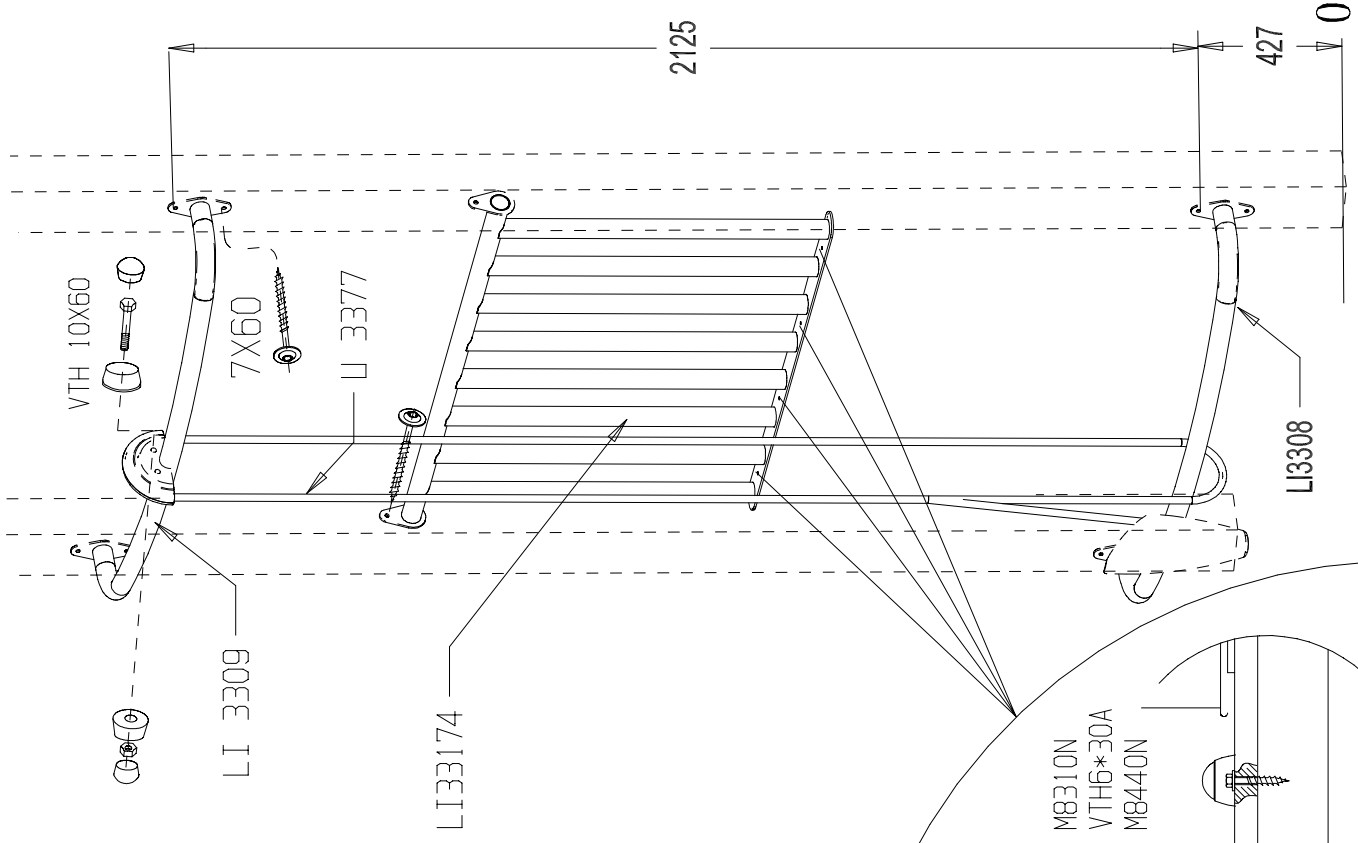
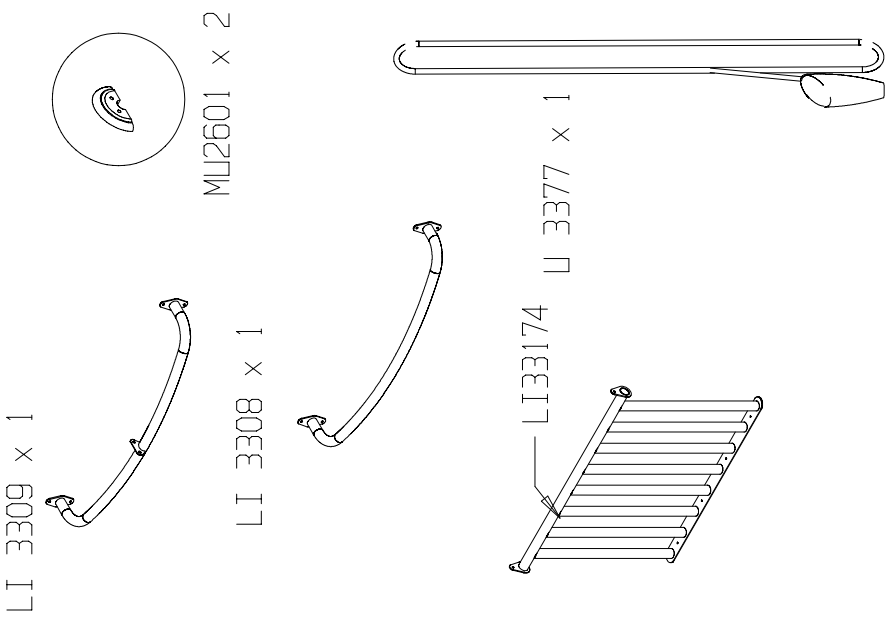
LI 3308 x 1

MU2601 x 2

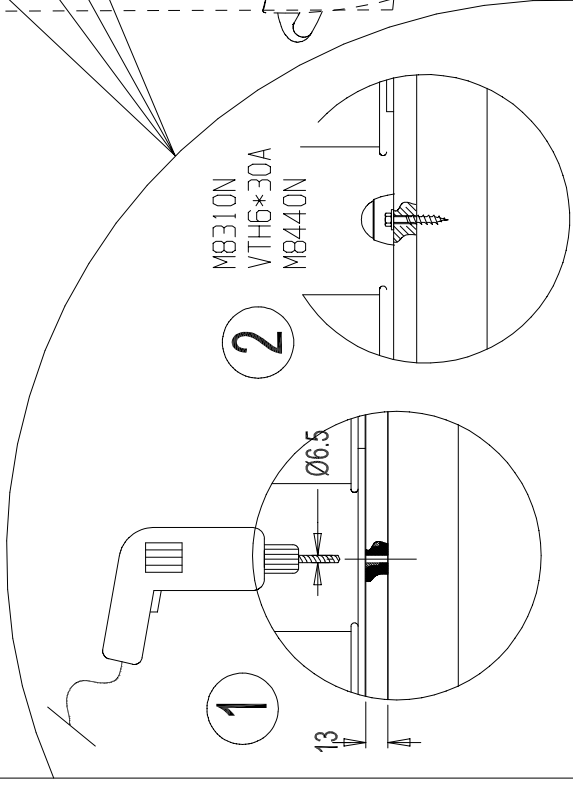
LI 3376 x 1

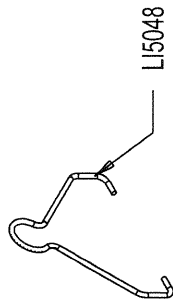
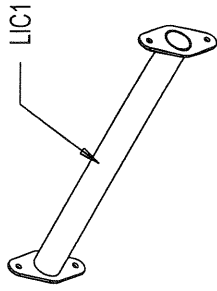
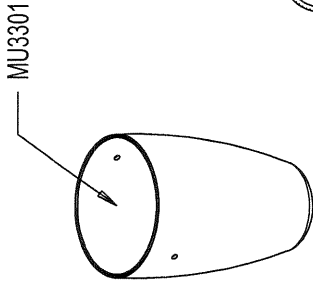
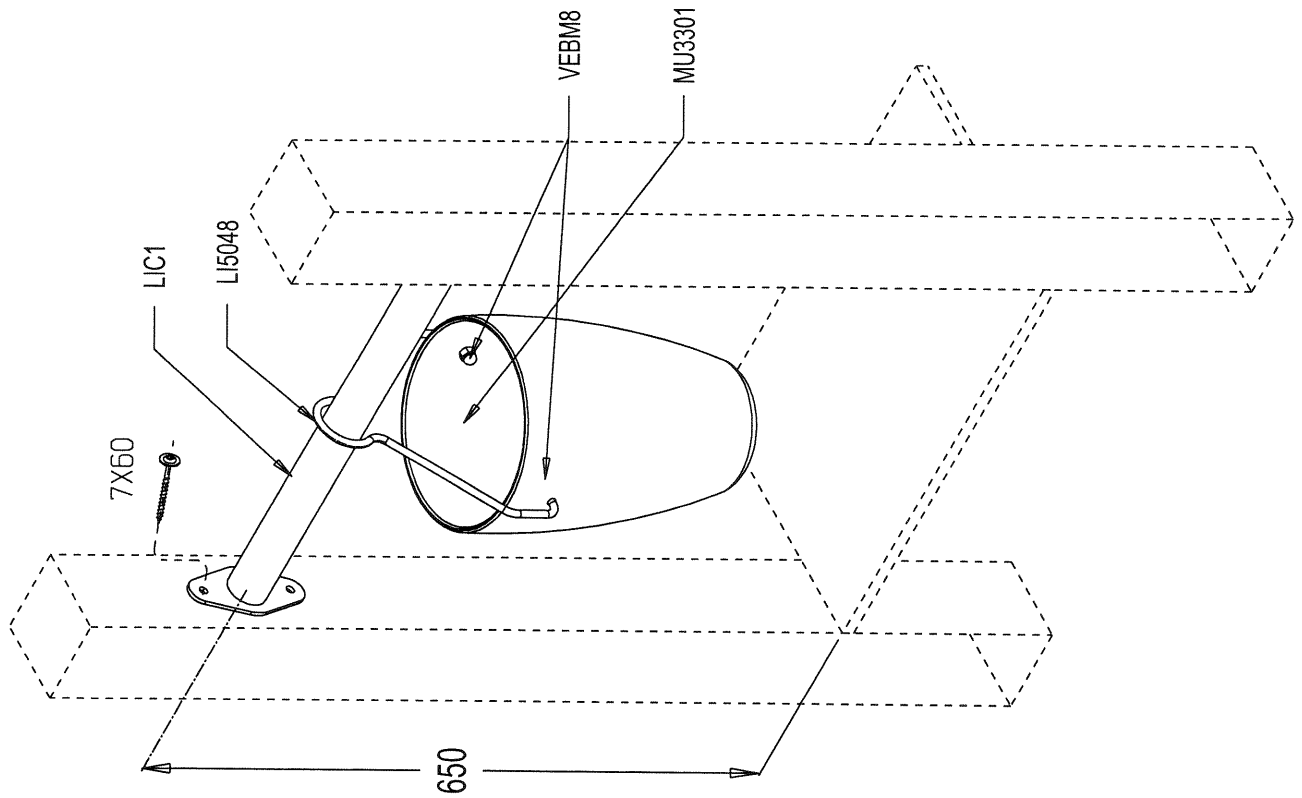
LI33174



	VTH 10x60	2
	M10310N	4
	M10440N	4
	VEFM10	2
	VBT 7x60	10
	M8310N	4
	M8440N	4
	VTH6*30A	4

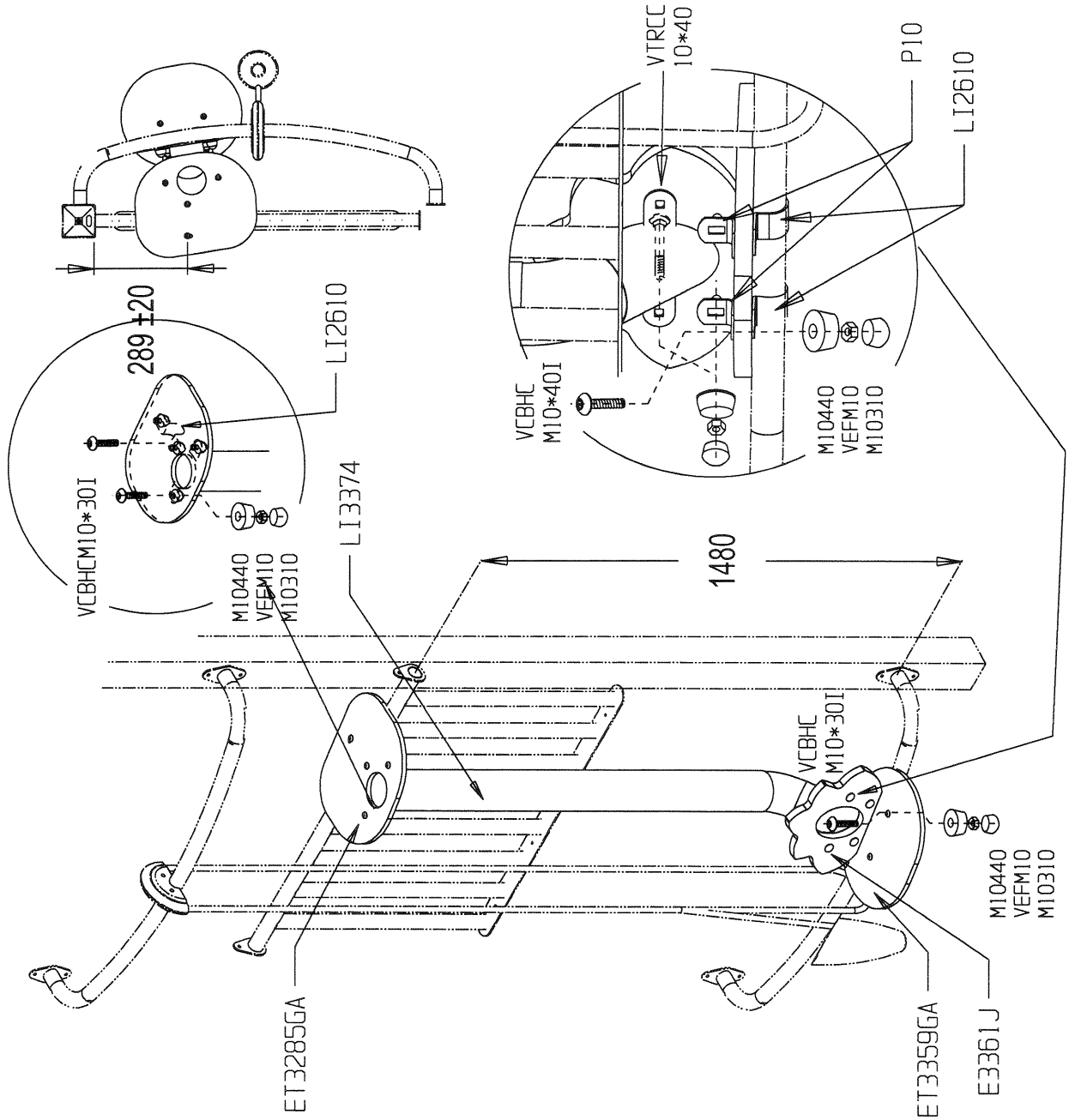


	VTH 10x60	2
	M10310N	4
	M10440N	4
	VEFM10	2
	VBT 7x60	10
	M8310N	4
	M8440N	4
	VTH6*30A	4





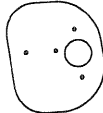
	VBT 7x60	4
	VEBM8	2



LI2610 x3



ET3285GA x 1



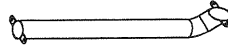
ET3359GA x 1



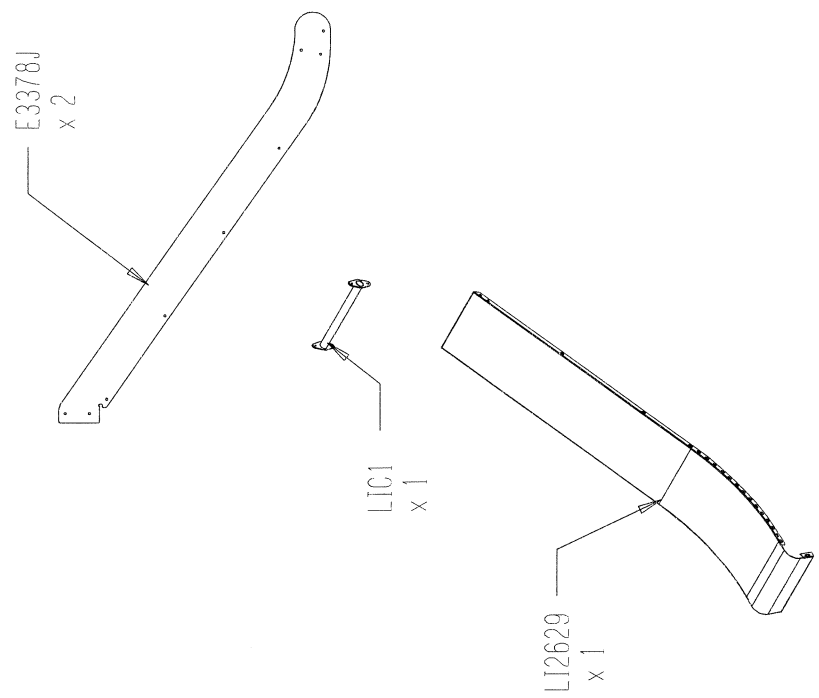
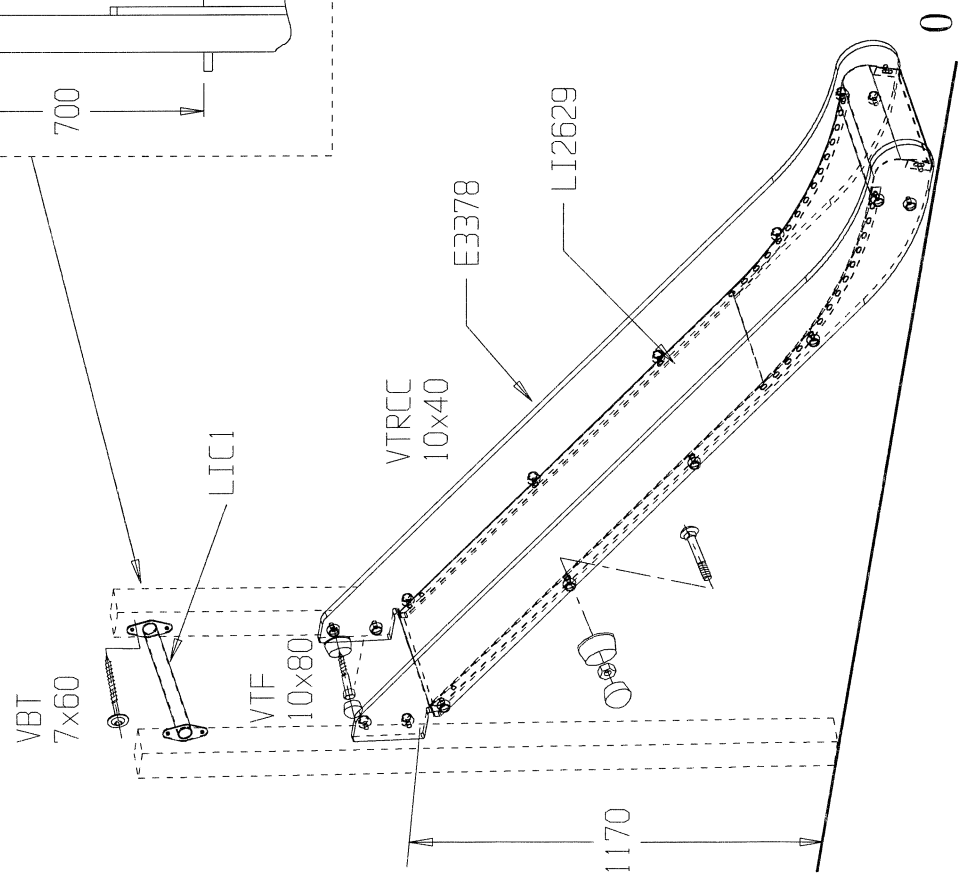
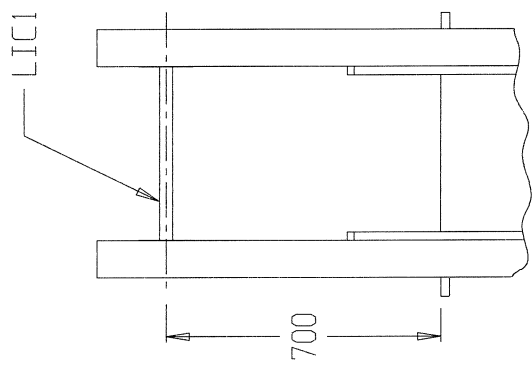
E3361 J x 1



LI 3374 x 1

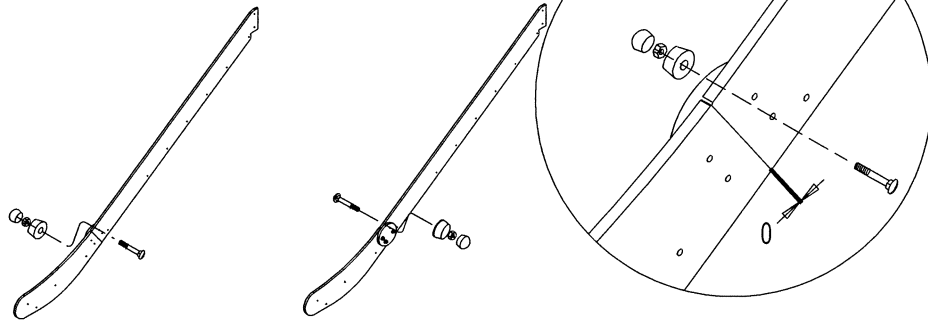


	VECM10	4
	VTRCC10x40	4
	M10310N	14
	M10440N	14
	VEFM10	8
	40 mm : P10	2
	VCBHC M10*30I	6
	VCBHC M10*40I	2

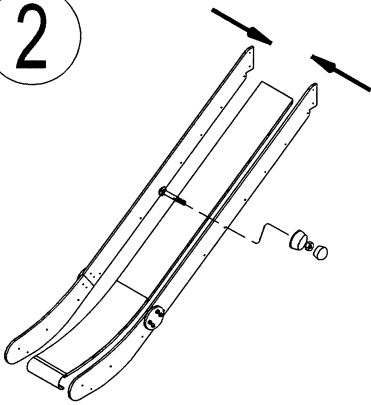


	VBT 7x60	4
	VTF 10x80	4
	VTRCC10x40	12
	M10310N	16
	M10440N	16
	VECM10	12

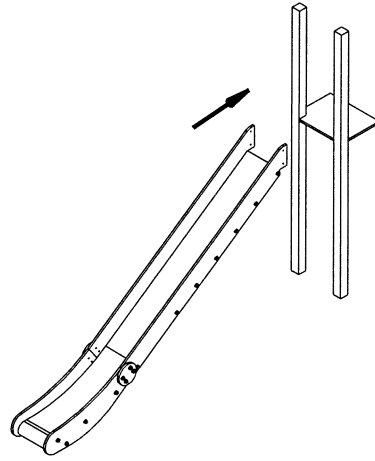
1



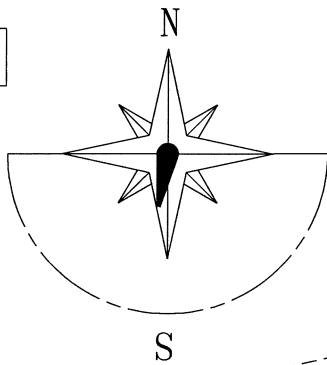
2



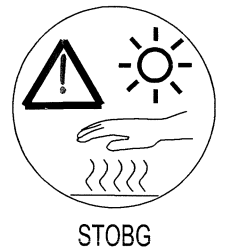
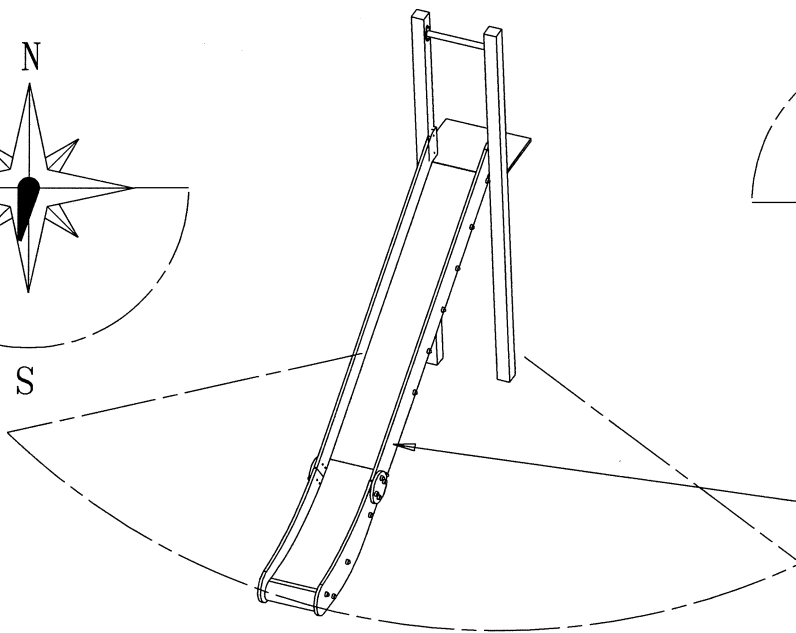
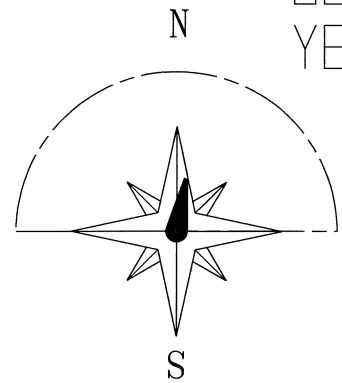
3



NON
NO

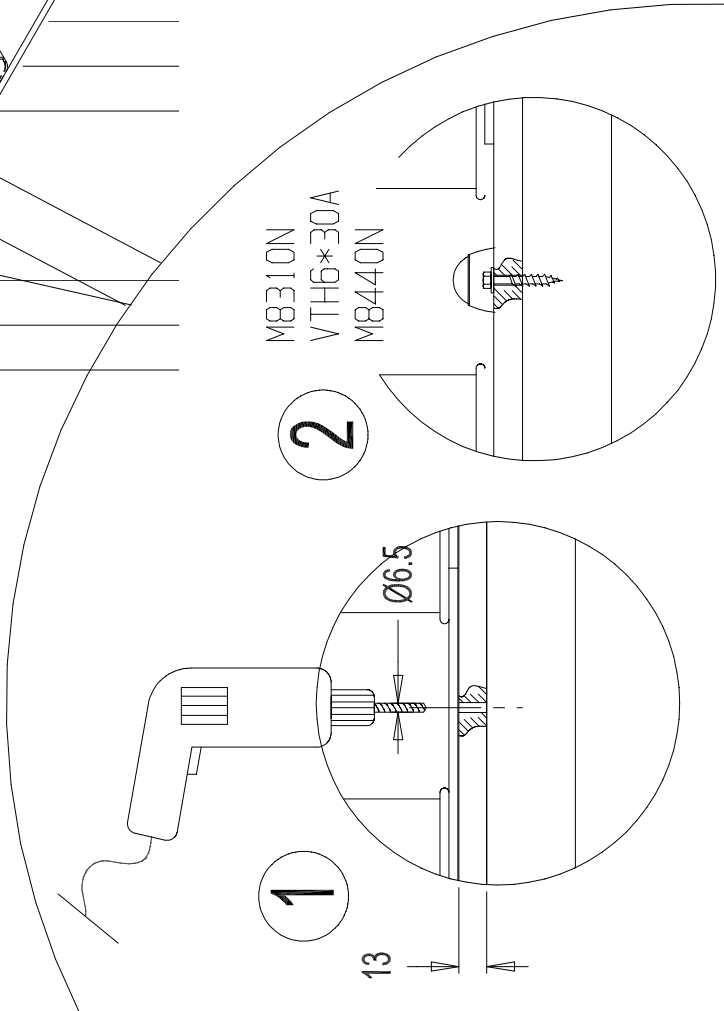
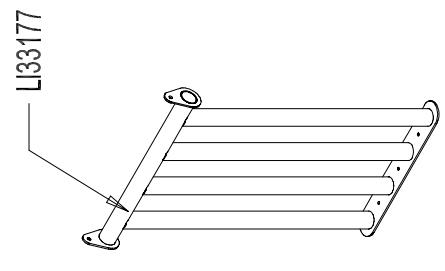
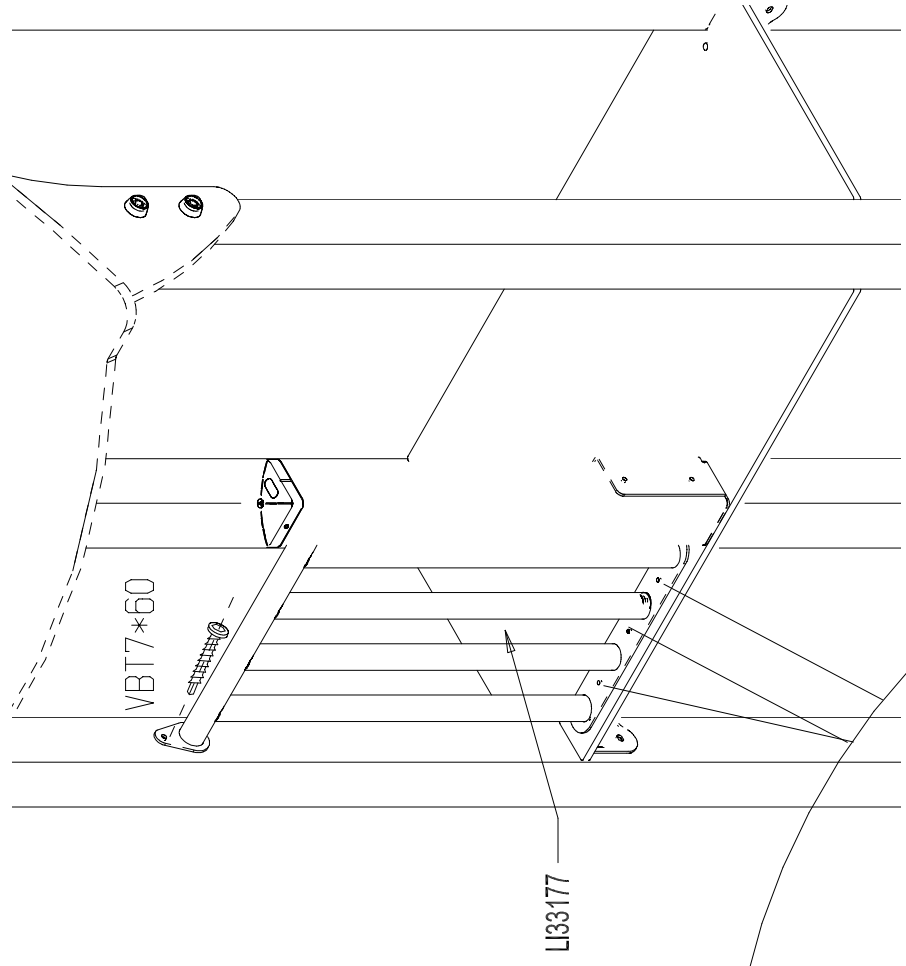


OUI
YES

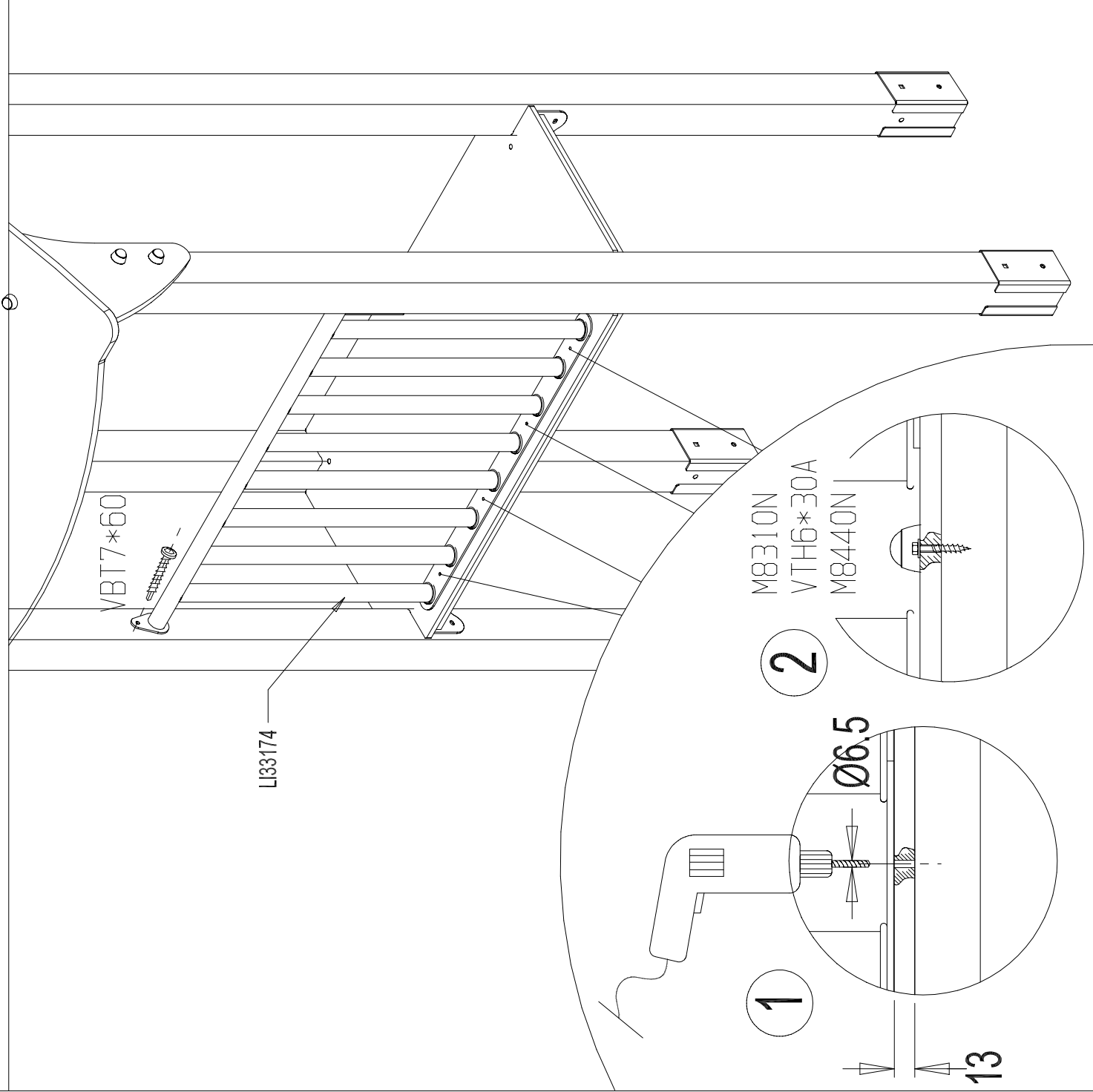


FR

Il est recommandé de ne pas orienter la glissière Sud / Sud Ouest



	VBT 7x60	2
	M8310N	3
	M8440N	3
	VTH6*30A	3



VBT7*60

L33174

M8310N

VTH6*30A

M8440N

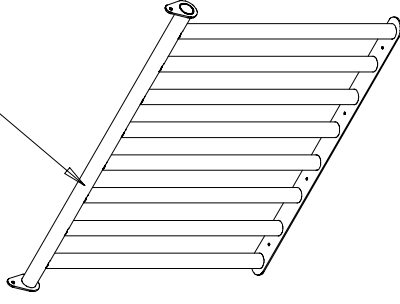
2

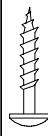

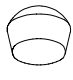

1

Ø6.5

13

L33174



	VBT 7x60	2
	M8310N	4
	M8440N	4
	VTH6*30A	4

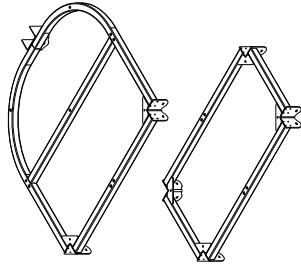
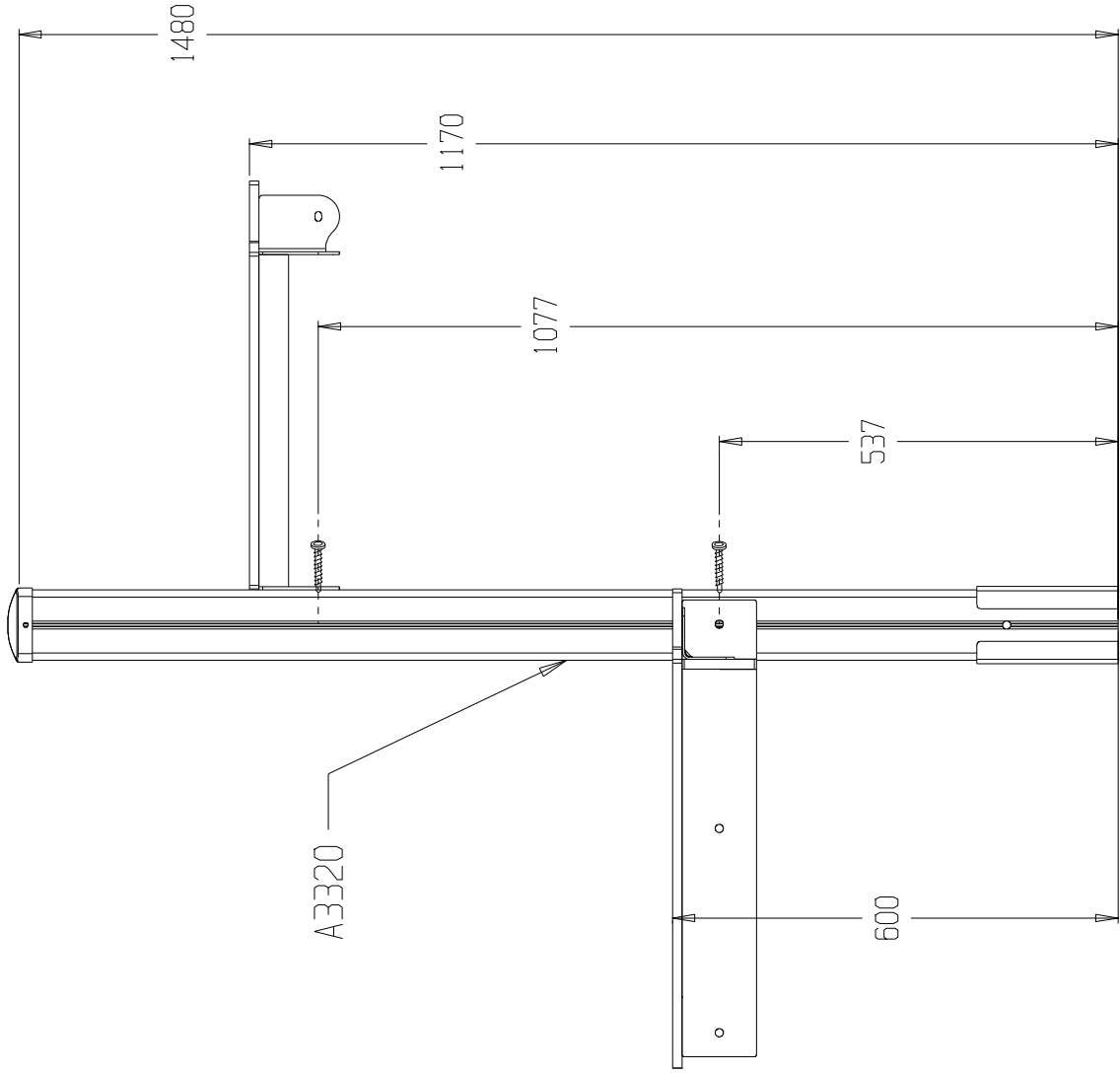
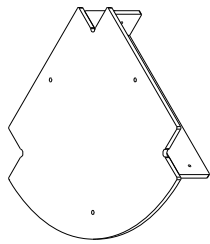
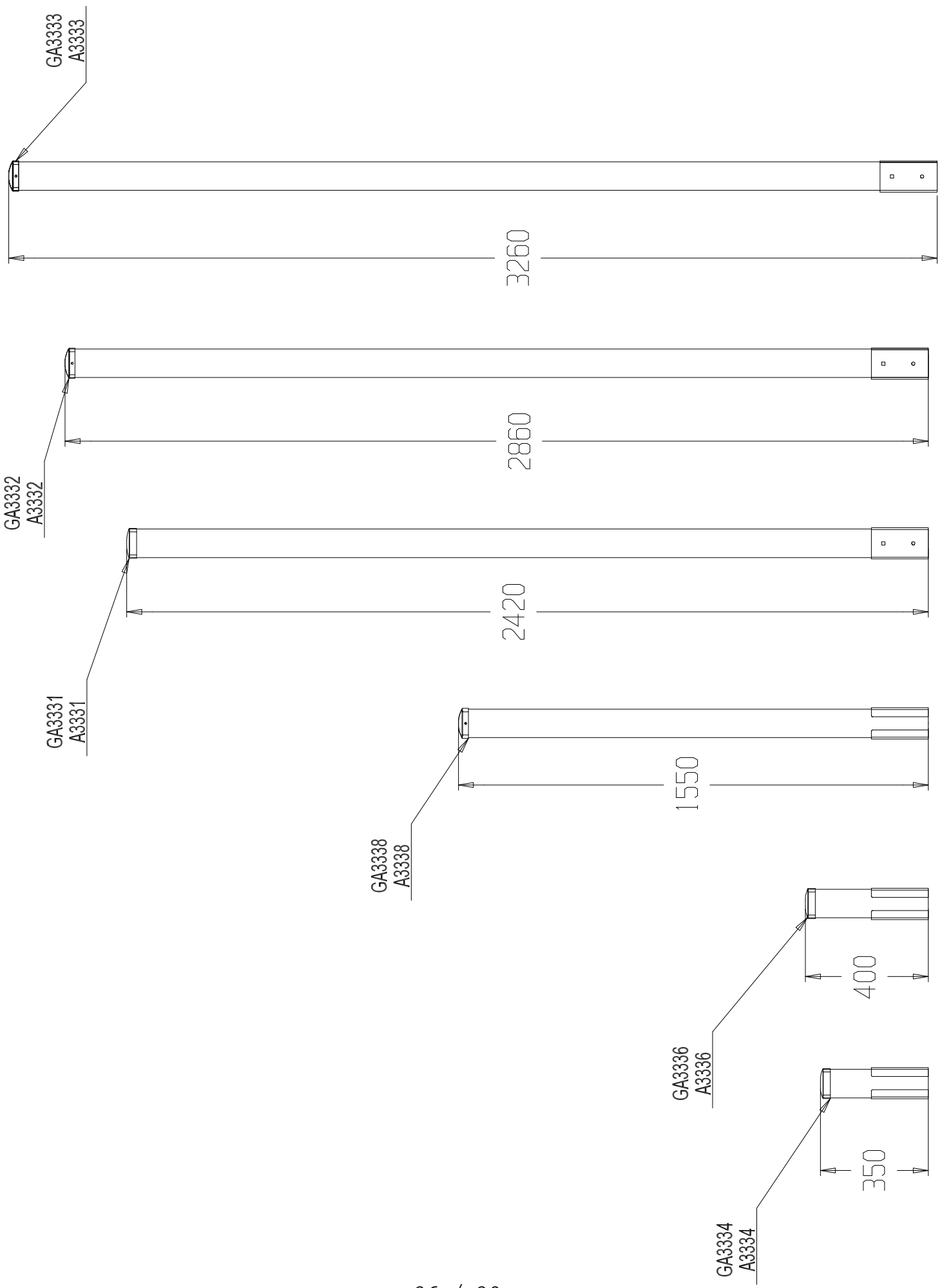
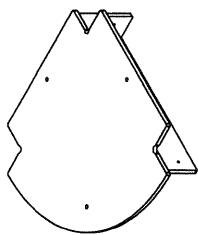


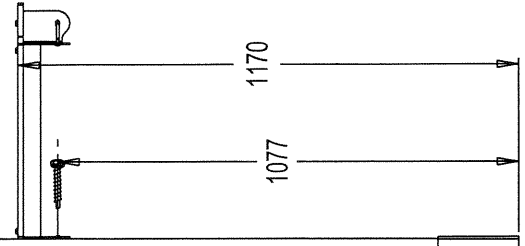
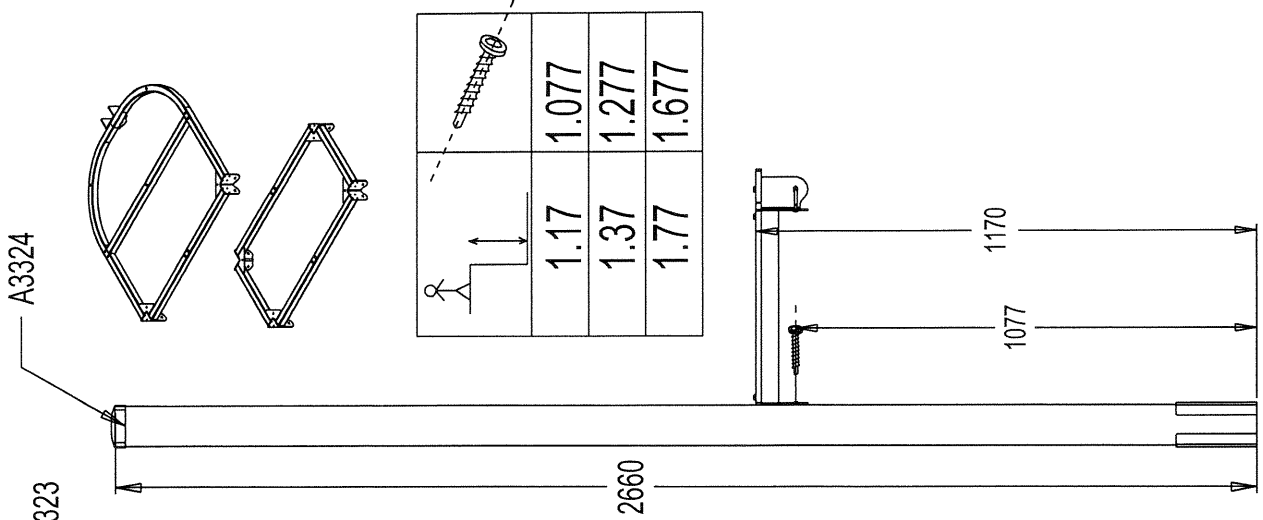
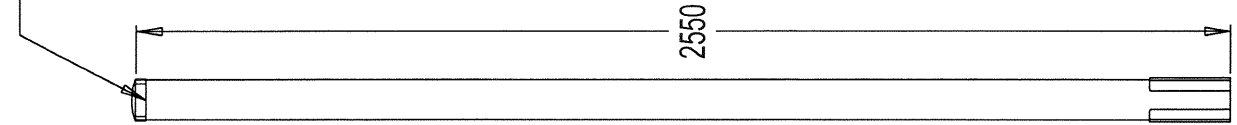
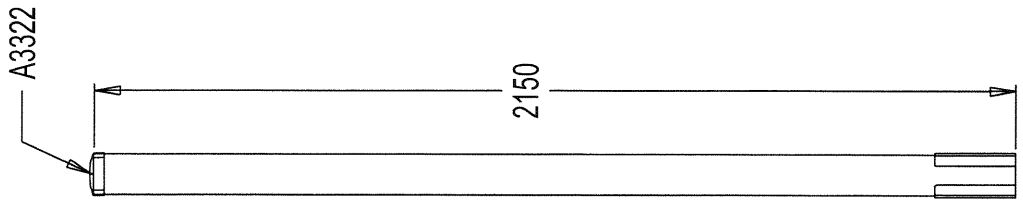
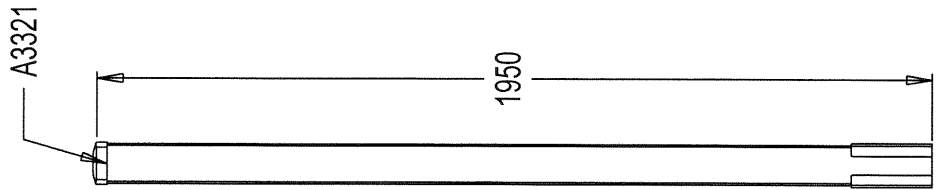
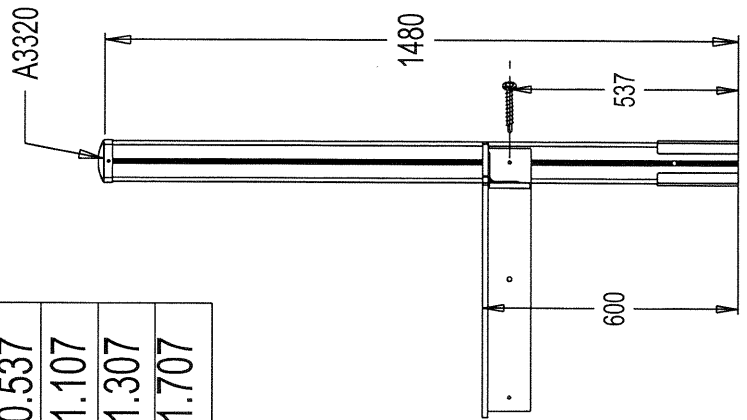
Diagram	0.6	1.17	1.37	1.77
	0.6	1.17	1.37	1.77
	0.537	1.107	1.307	1.707

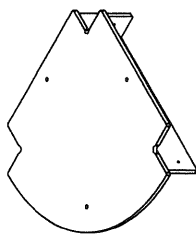
Diagram	1.17	1.077	1.277	1.677
	1.17	1.077	1.277	1.677
	1.077	1.077	1.277	1.677



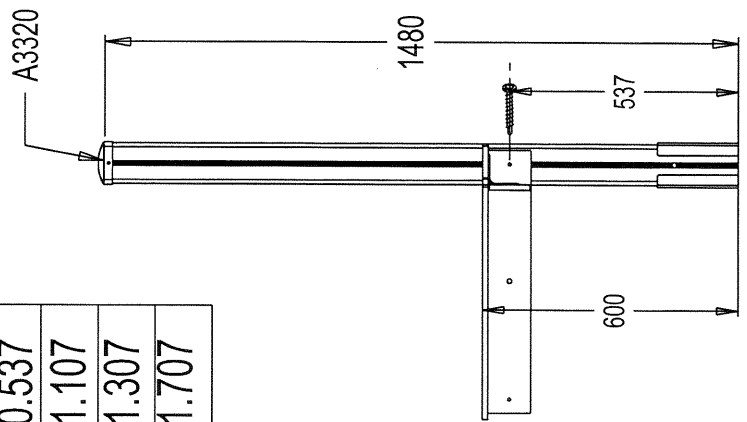


	0.6	0.537
	1.17	1.107
	1.37	1.307
	1.77	1.707

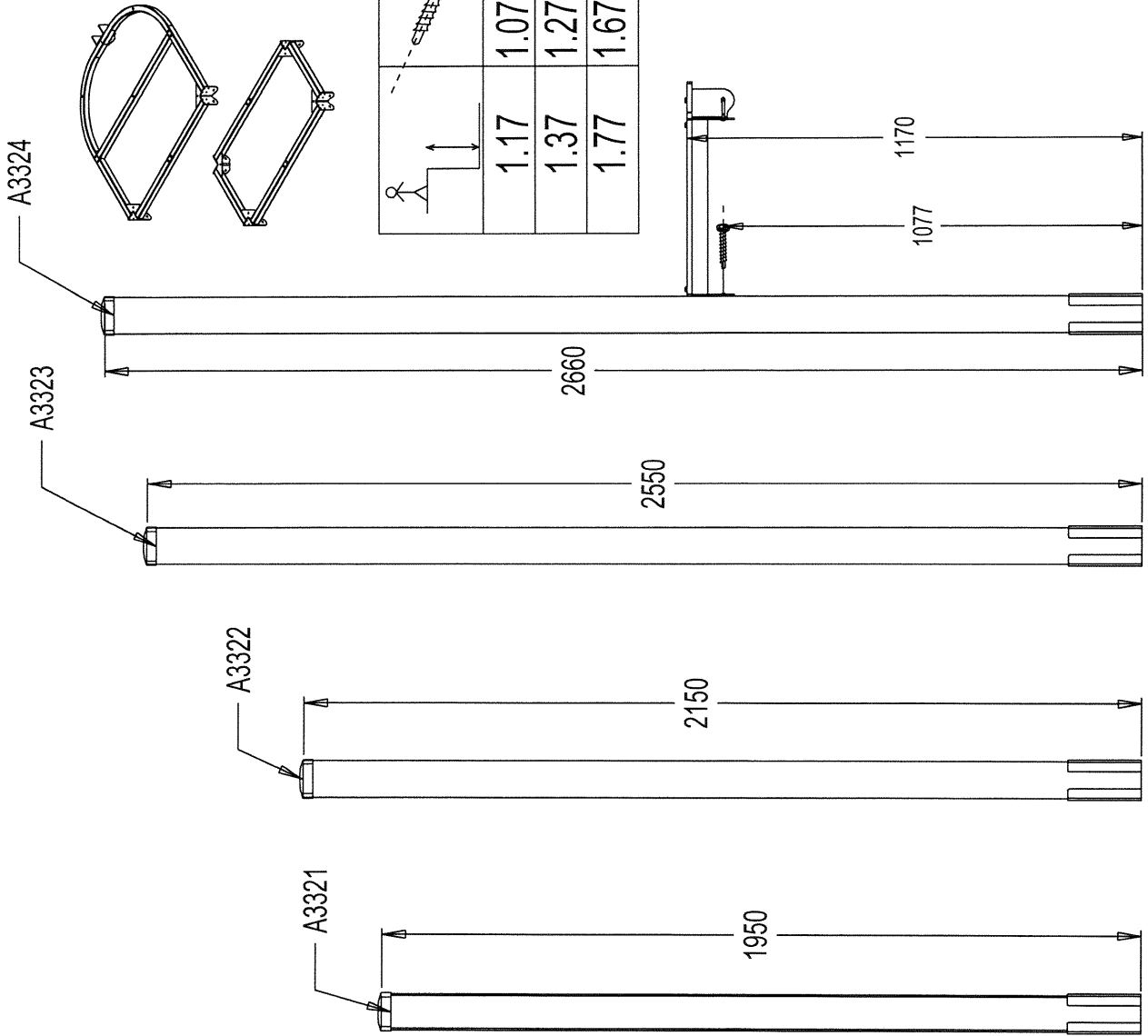


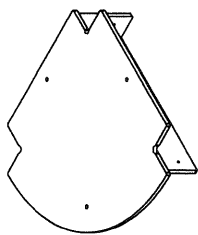


	0.6	0.537
	1.17	1.107
	1.37	1.307
	1.77	1.707



	1.17	1.077
	1.37	1.277
	1.77	1.677





	0.6	0.537
	1.17	1.107
	1.37	1.307
	1.77	1.707

