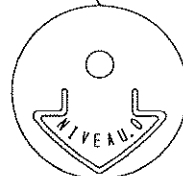


LA000



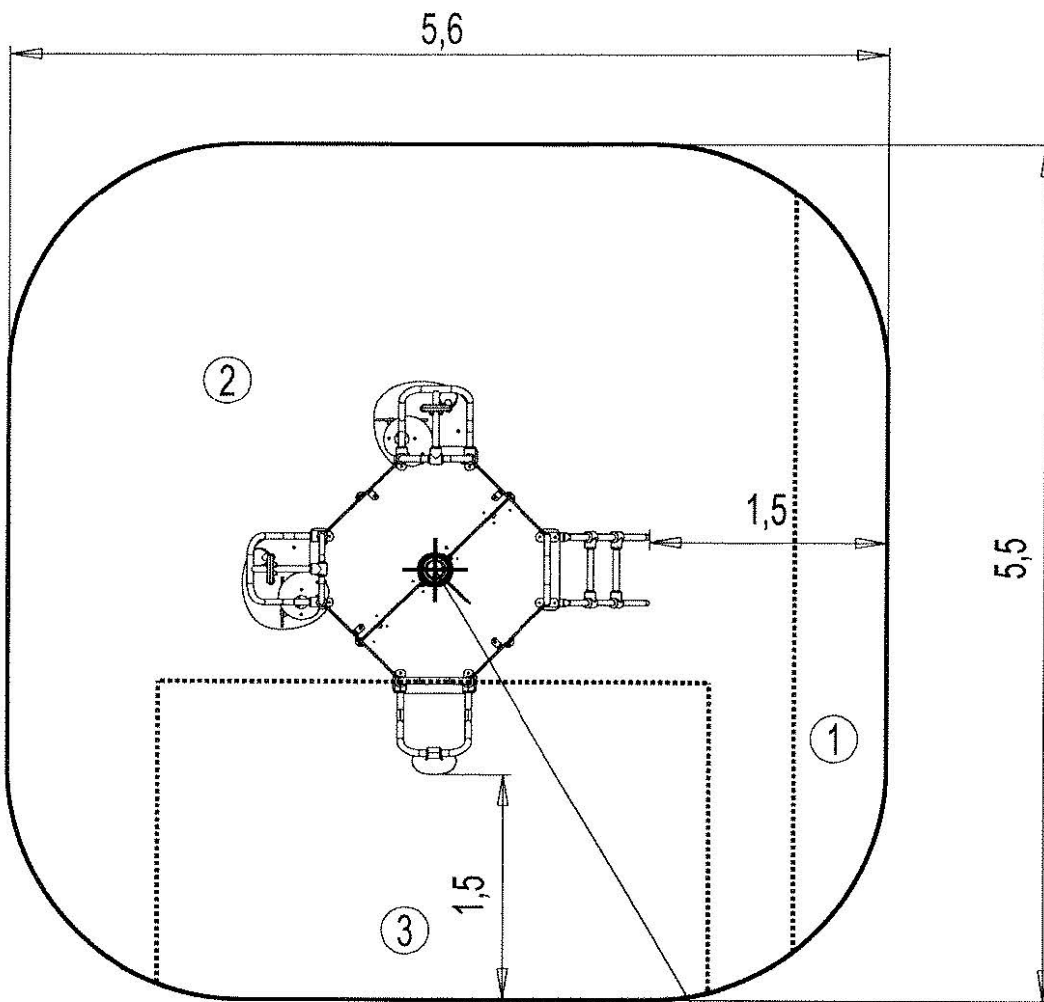
MI0002

N°	m	M <sup>2</sup>
①	0.6 m	2.5 m <sup>2</sup>
②	1.17 m	20 m <sup>2</sup>
③	1.3 m	7.5 m <sup>2</sup>

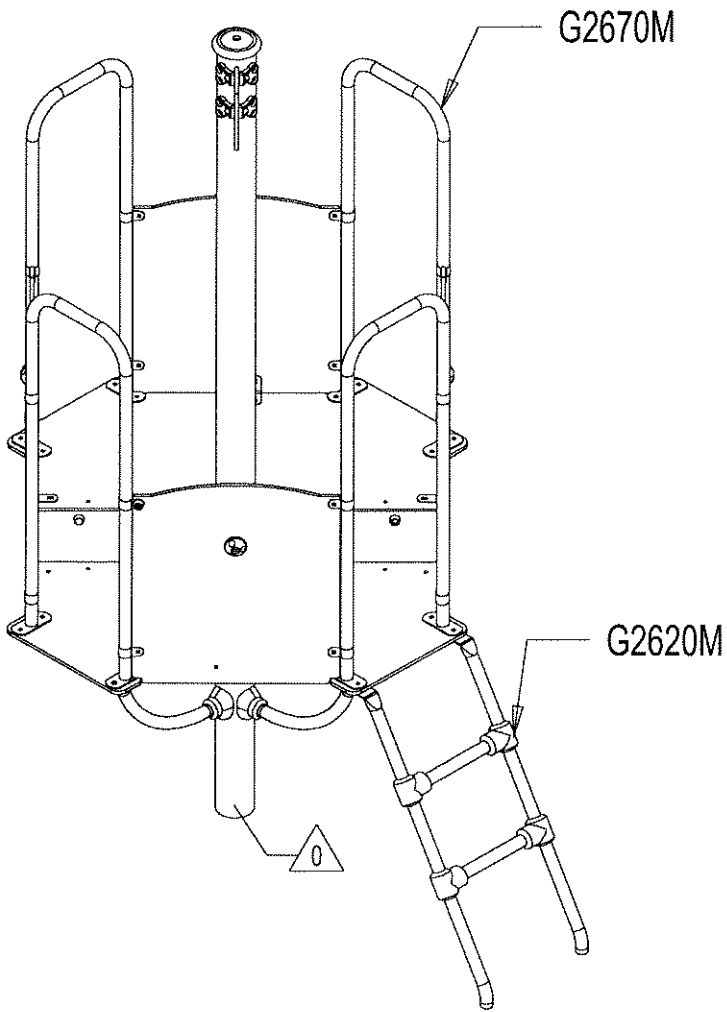
— Zone d'Impact  
Impact Area  
Area de Impacto  
Fallraum

EN1176-1: 2017  
EN1176-3: 2017

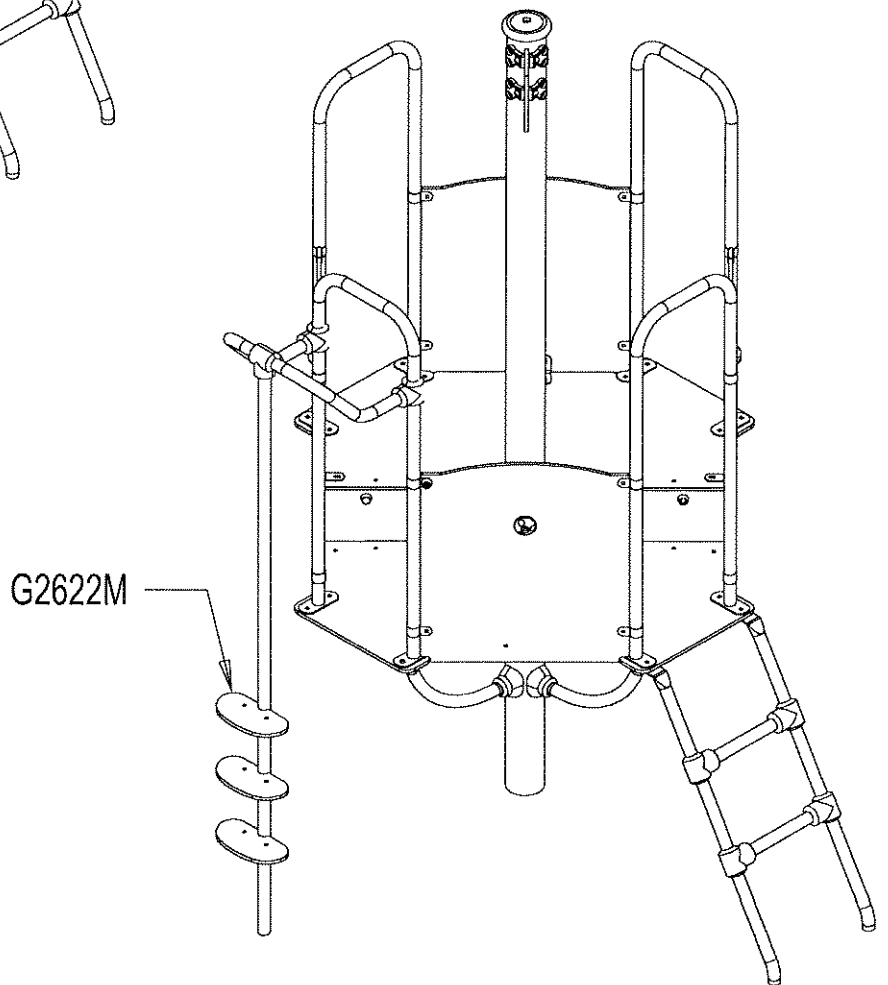
--- Espace Libre  
Free Space  
Espacio Libre  
Freiraum

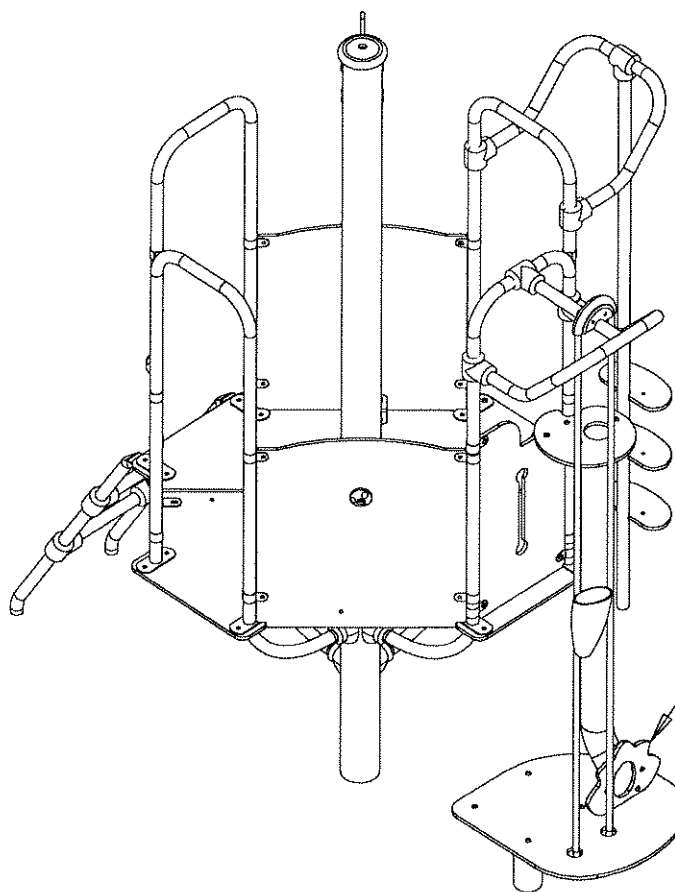


Point de Référence  
Setting Out Point  
Punto de referencia  
Bezugspunkt



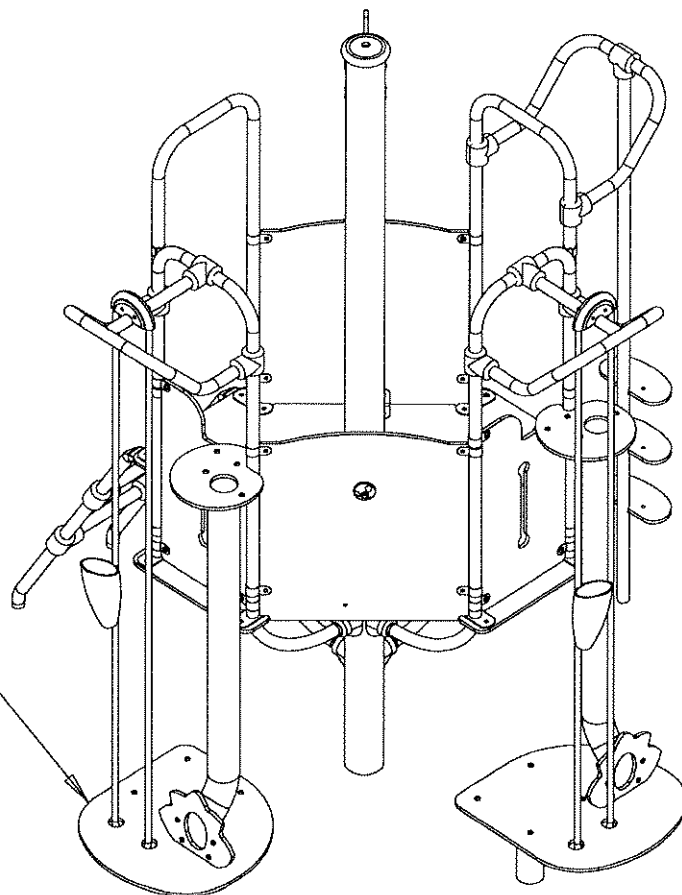
2





G2623M

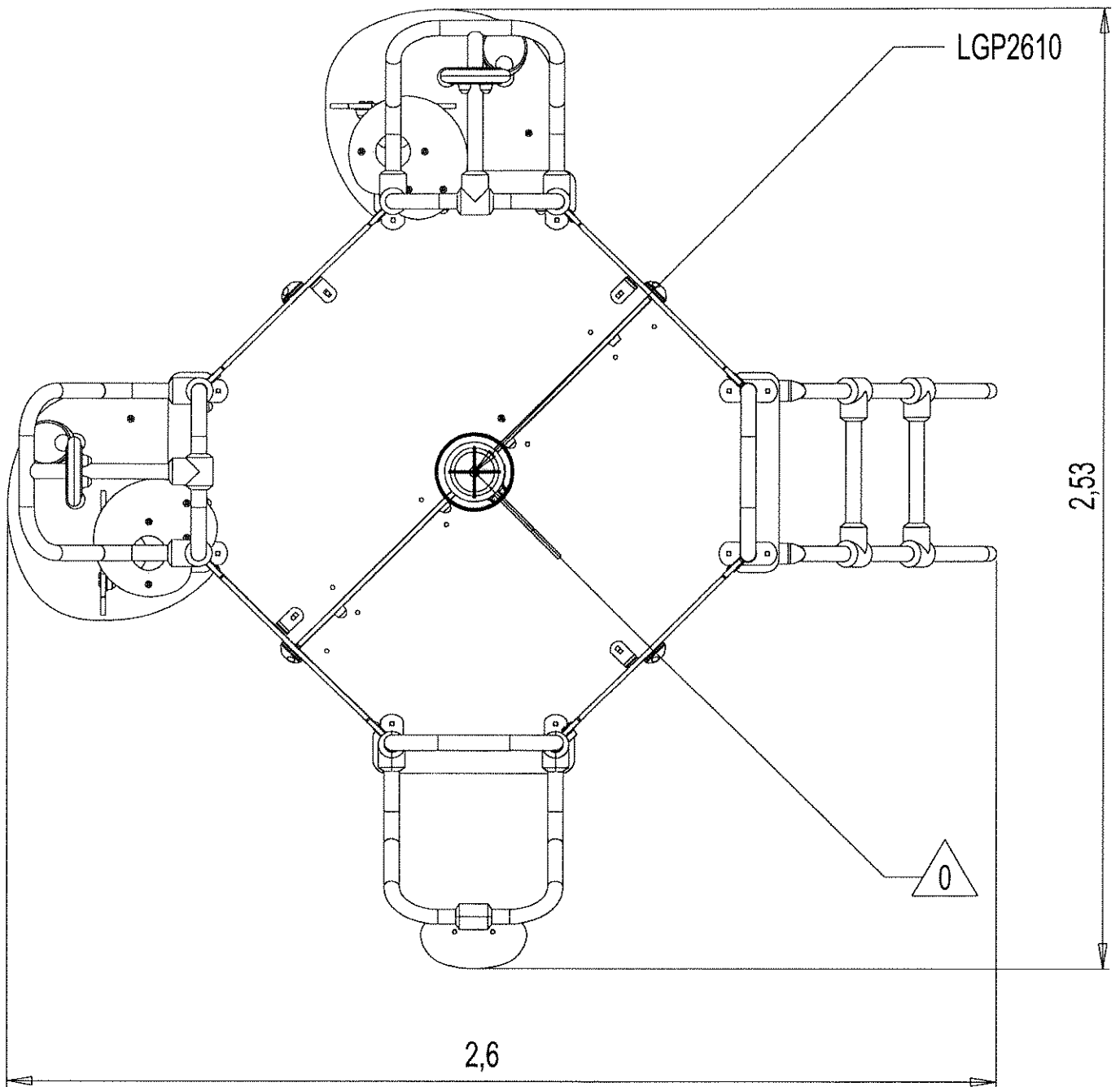
4



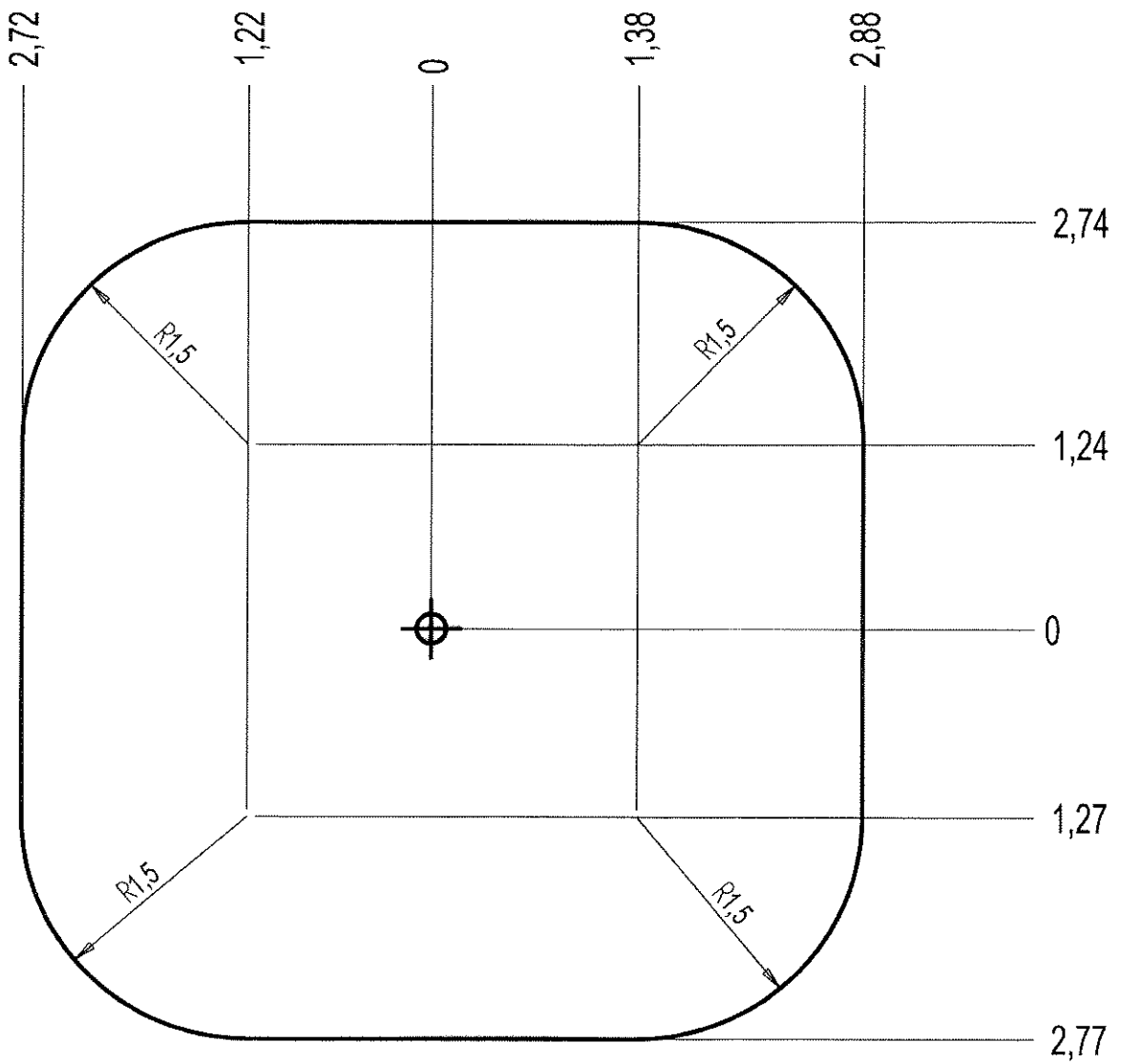
G2623M

J2671M

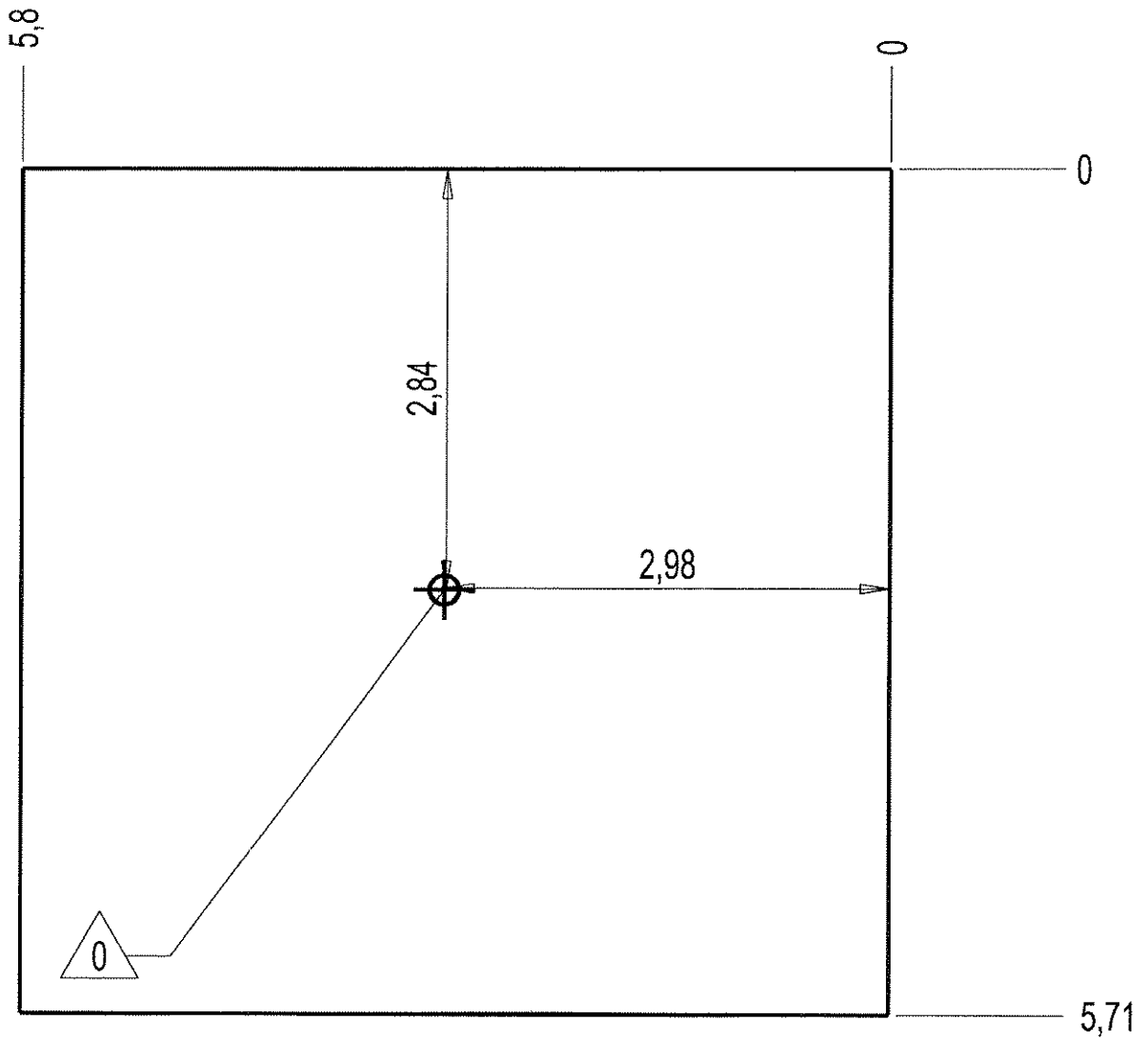
*Pro ludie*



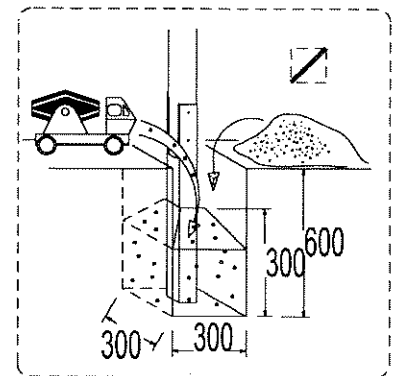
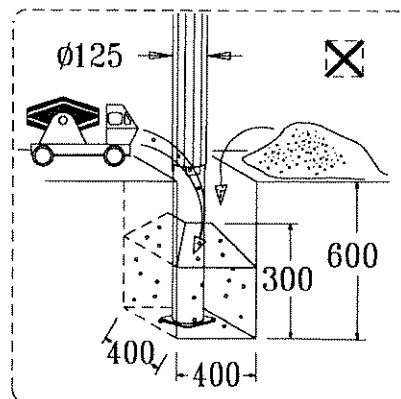
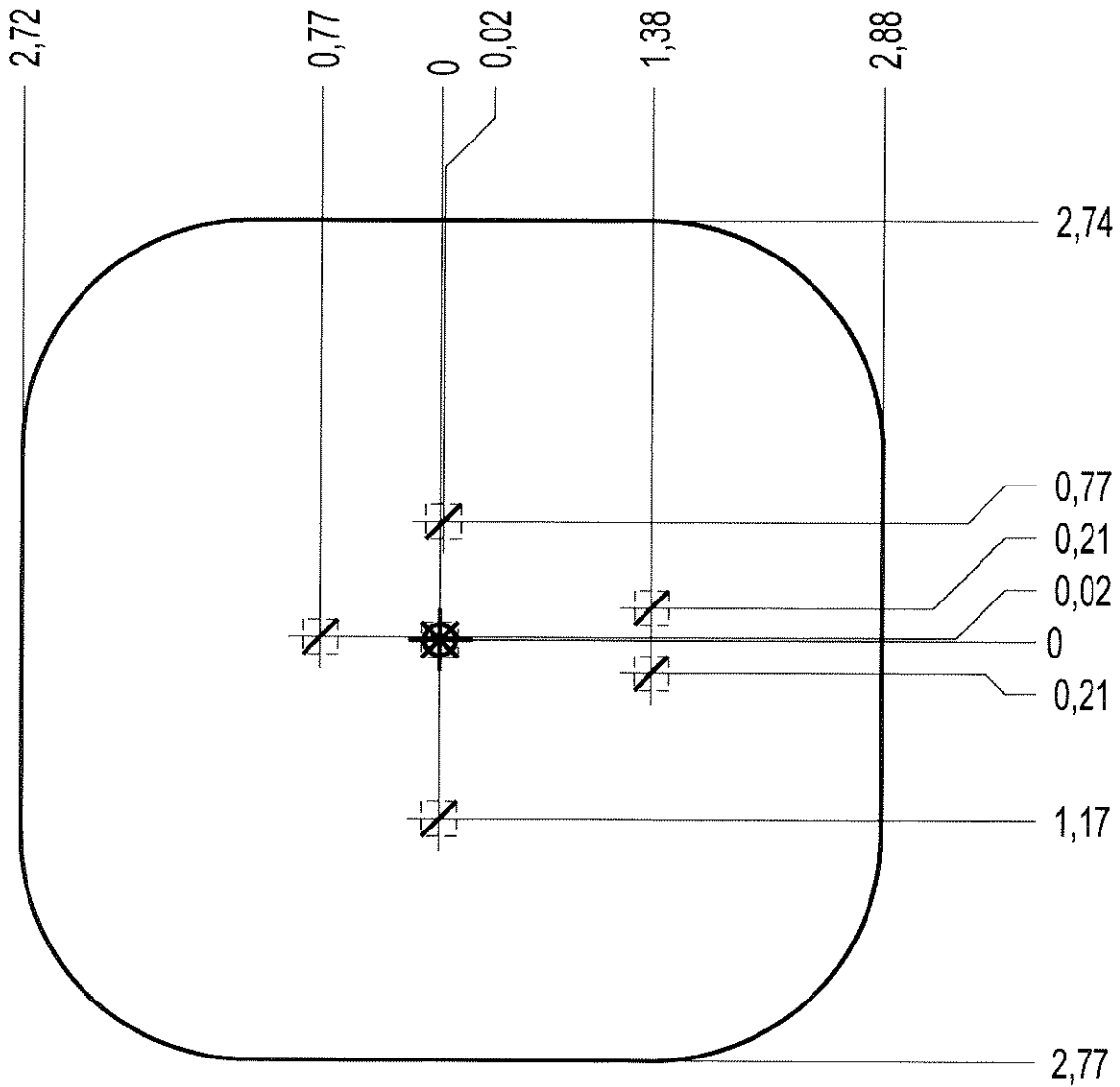
— Zone d' Impact 29 m<sup>2</sup>  
Impact Area  
Area de Impacto  
Fallraum



— Sol fluent 23 m  
Loose particle material 33,5 m<sup>2</sup>  
Arenero  
Loses Bodenmaterial

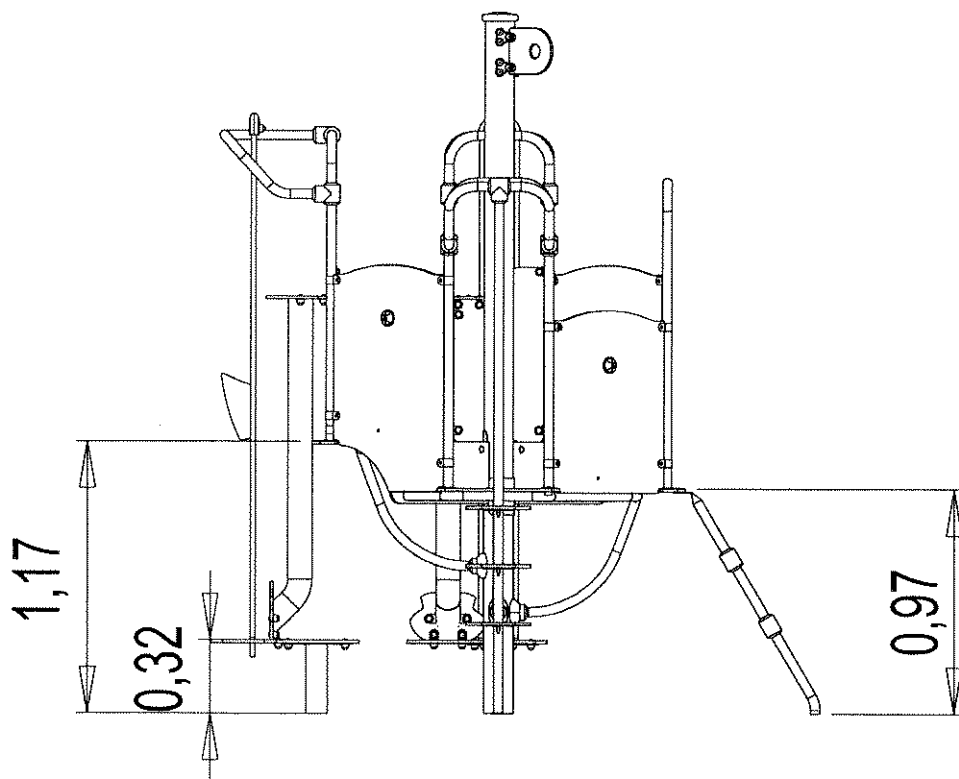
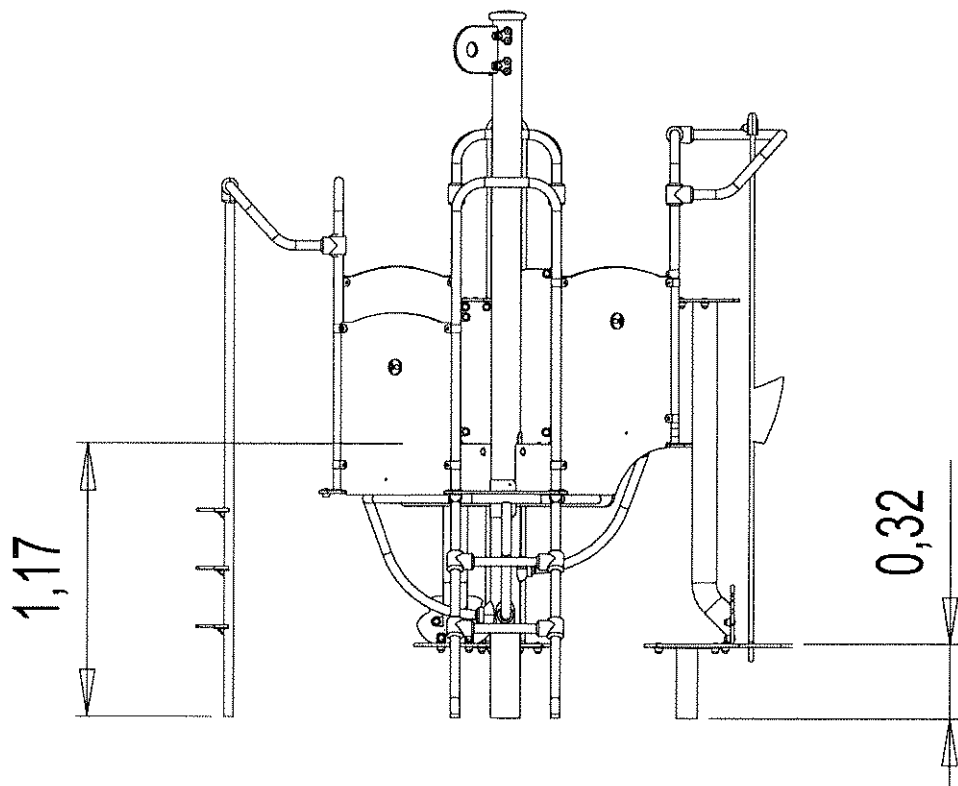


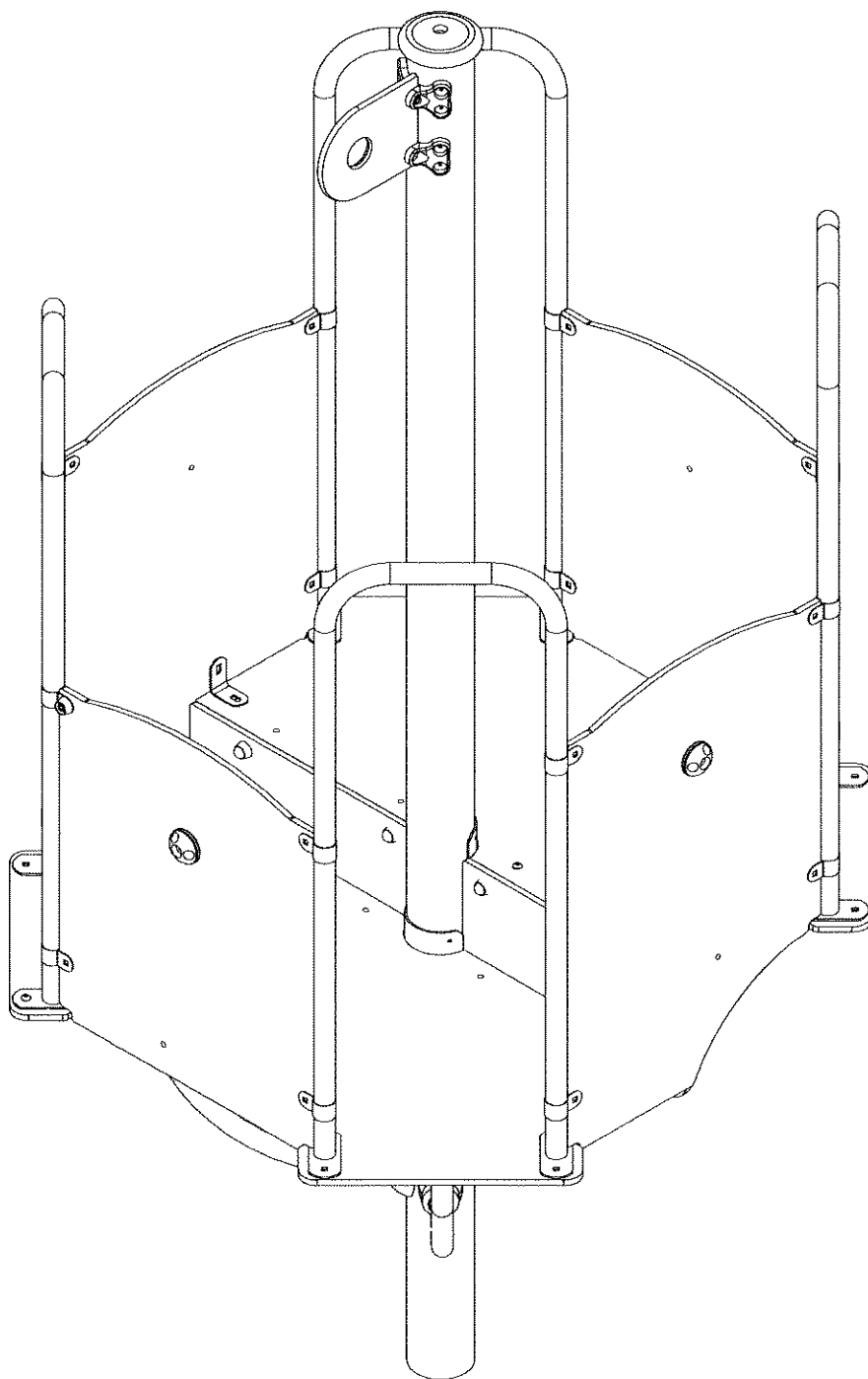
Implantation  
 Footing plan  
 Implantación  
 Fundamentplan



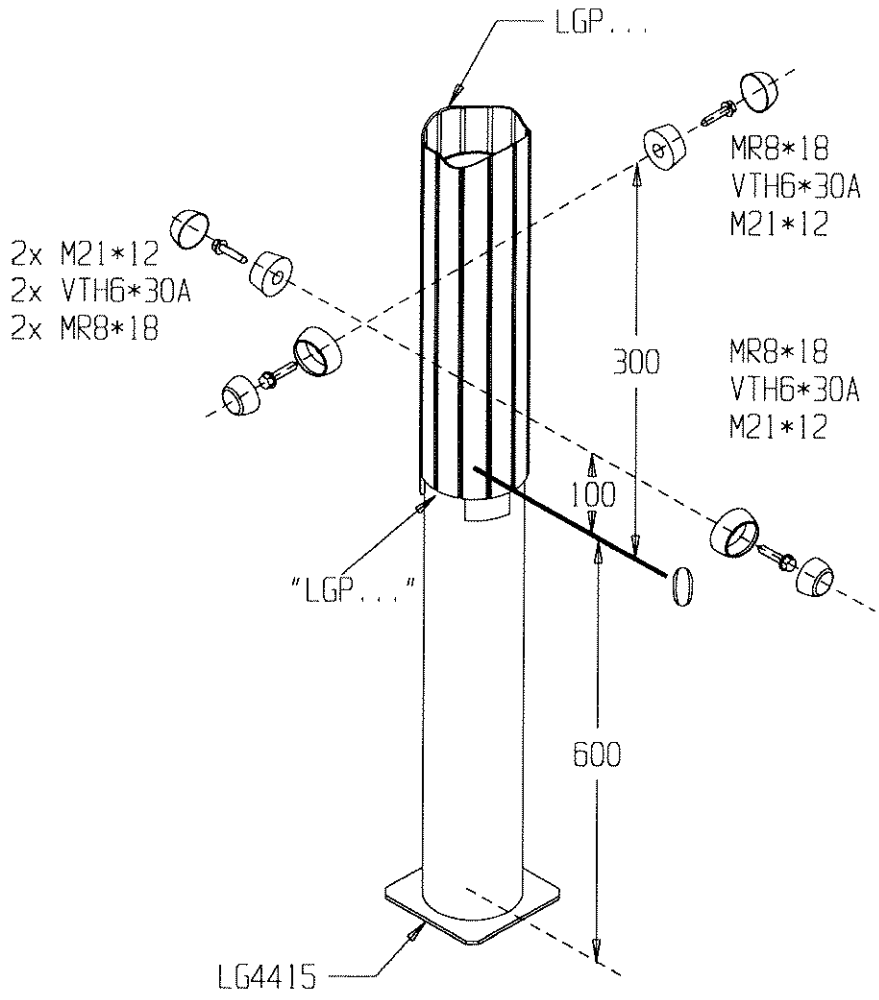
	x2		10H30		0,2m <sup>3</sup>
--	----	--	-------	--	-------------------





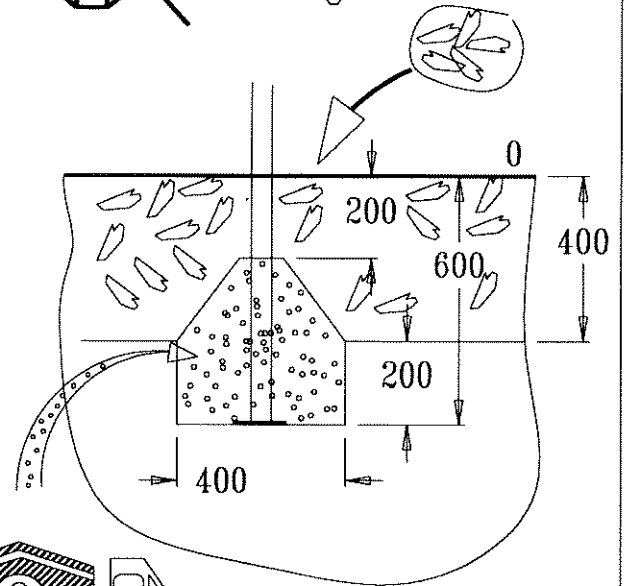
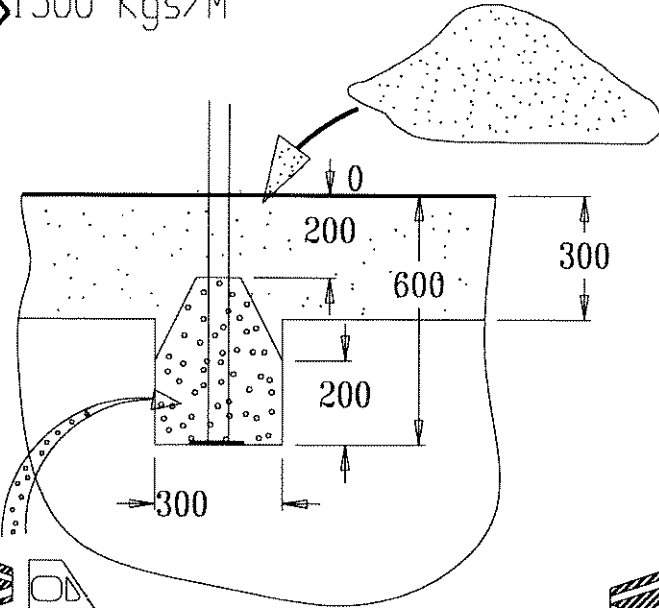


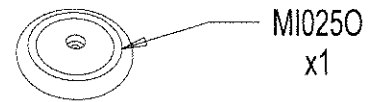
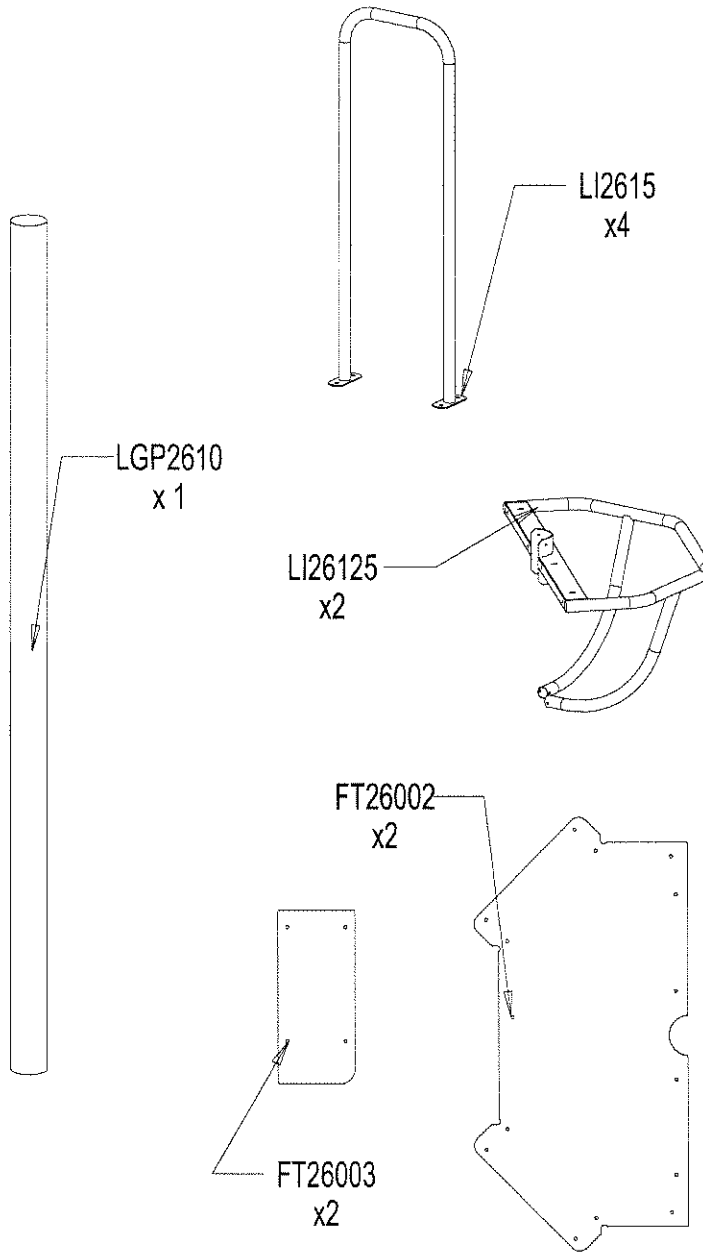
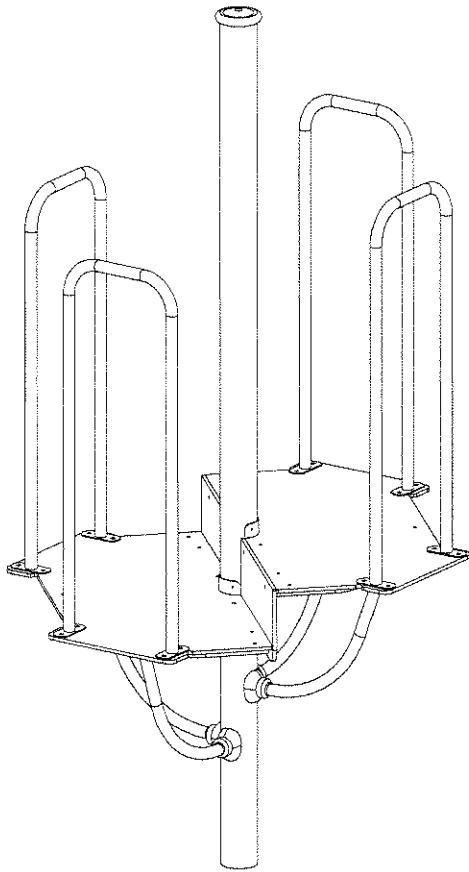
A



  $> 1500 \text{ Kgs/M}^3$

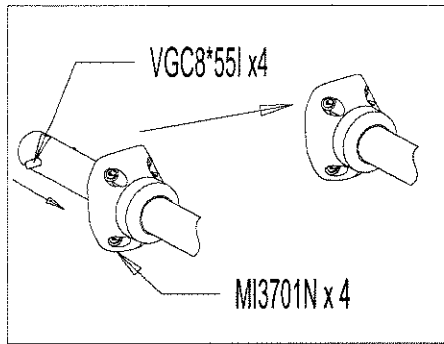
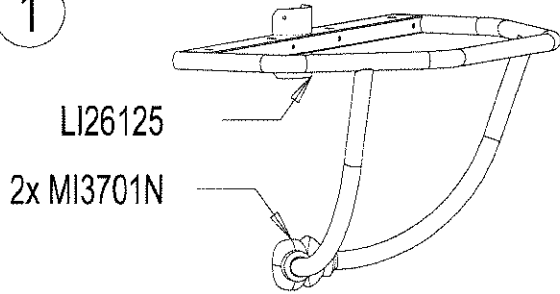
  $< 1500 \text{ Kgs/M}^3$



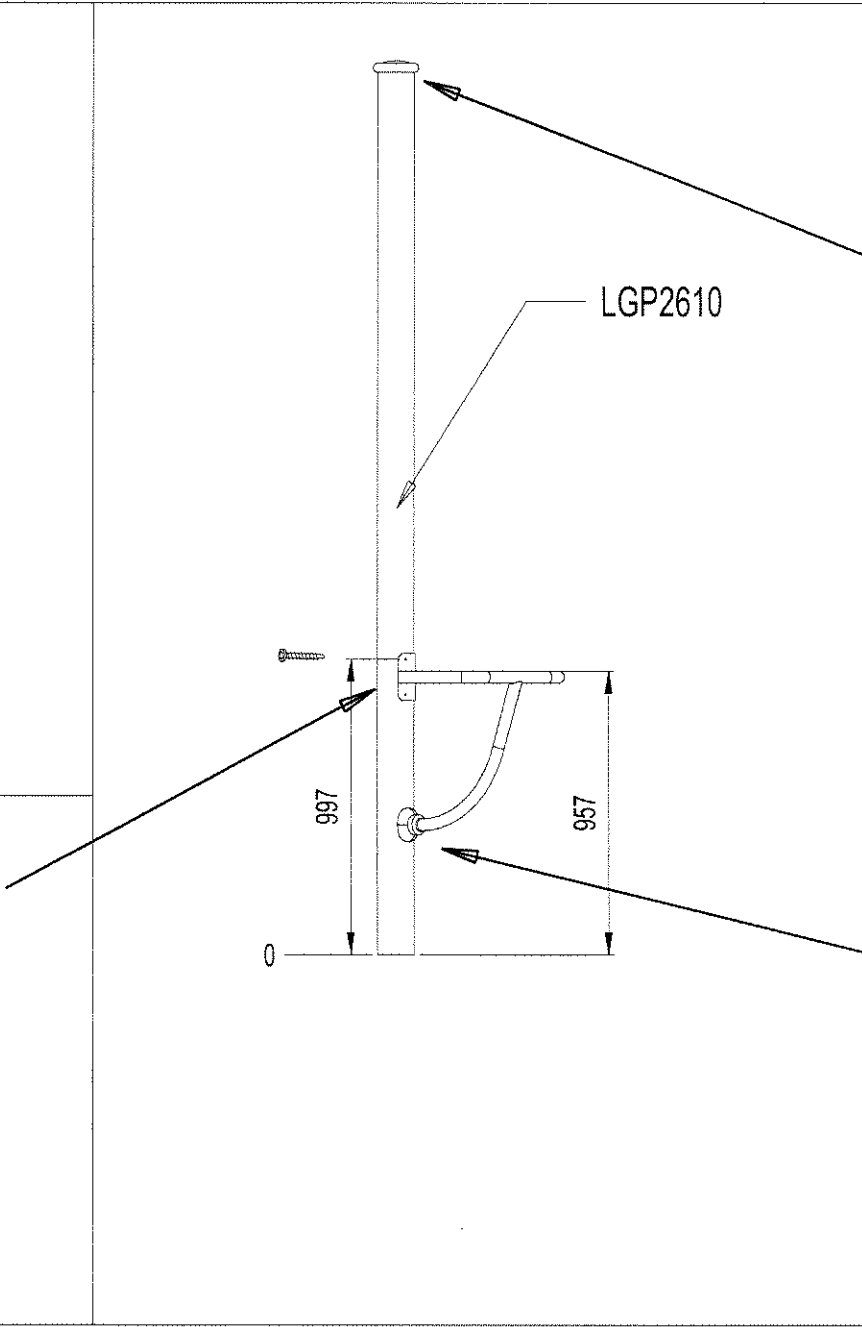
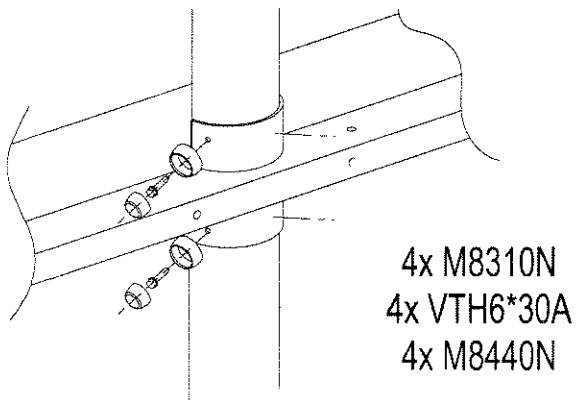


	VFHC6x40	1
	VCBHCMI0*70I	8
	VCBHCMI0*30I	16
	VTH6*30A	24
	VGC8*55I	4
	VTHM10x110	8
	M10310N	48
	M10440N	49
	VEFM10	32
	M8 310N	8
	M8 440N	8

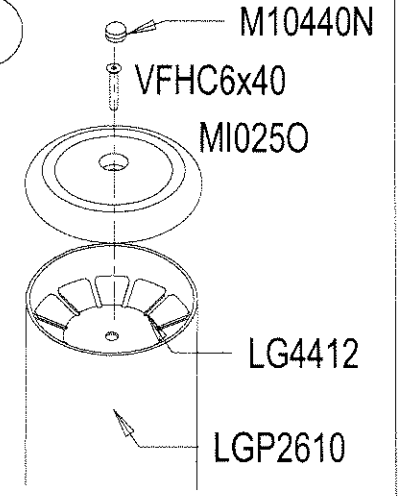
1



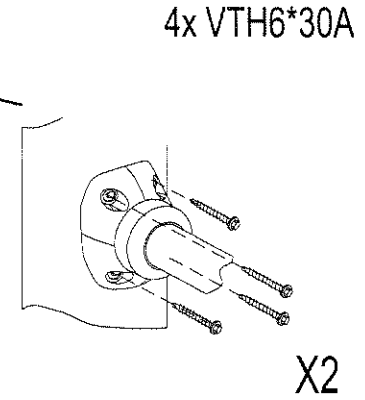
2

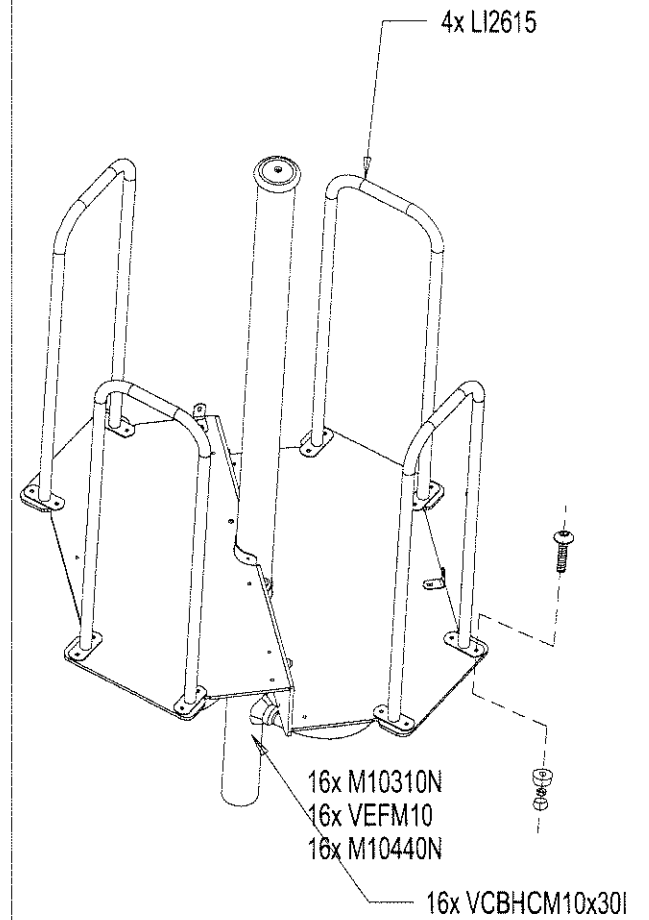
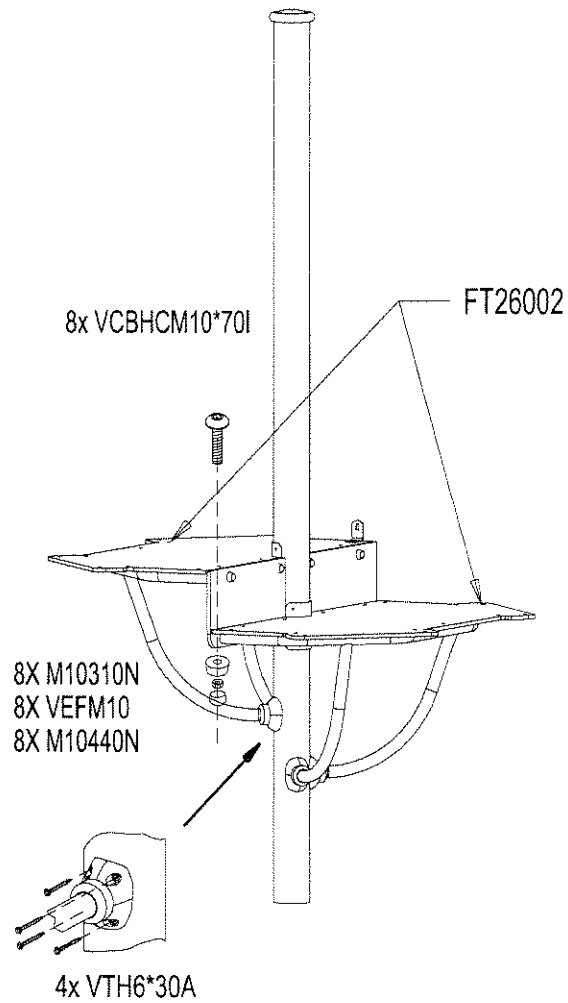
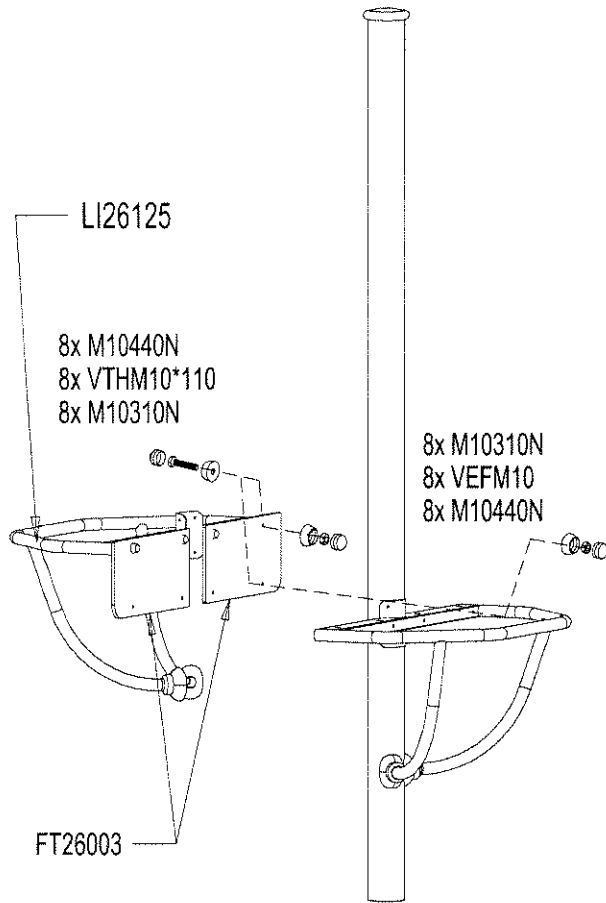


4



3

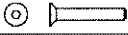





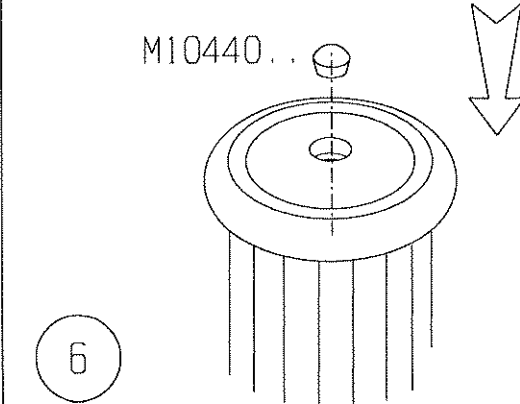
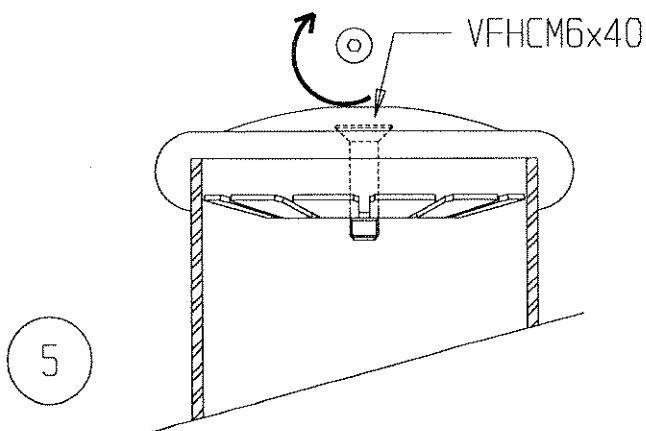
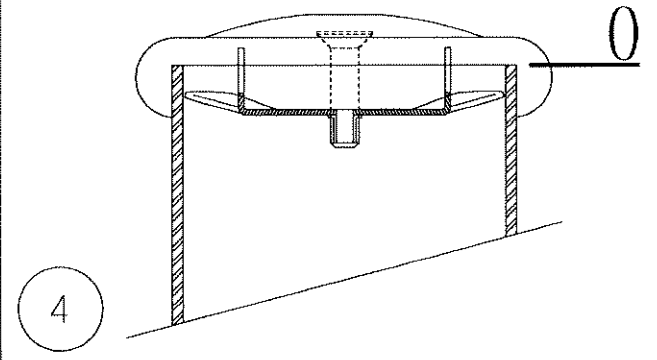
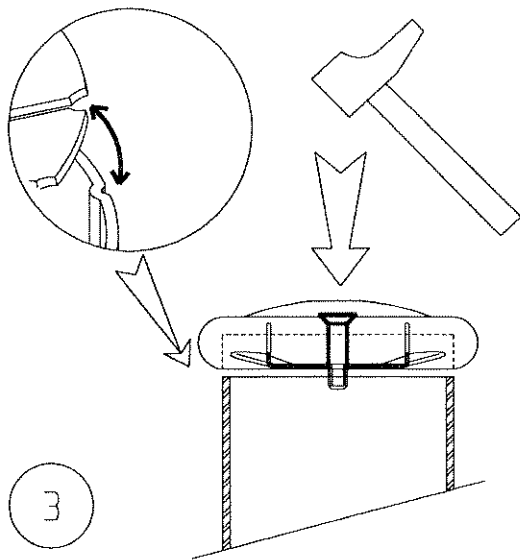
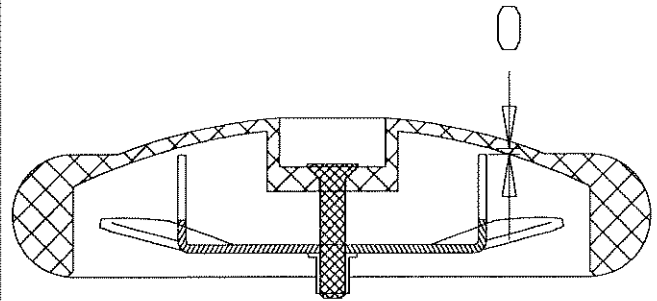
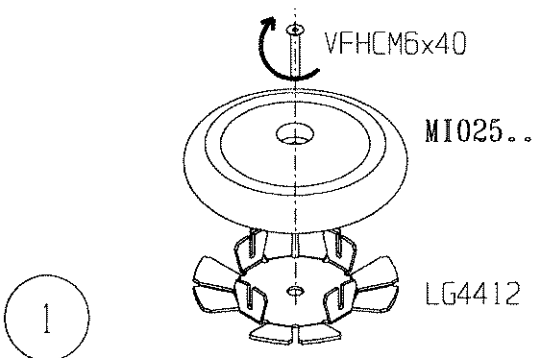


# LG4412 + MI025 ..

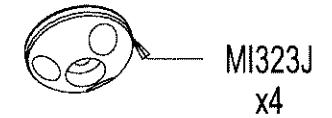
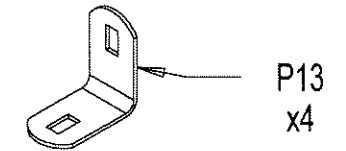
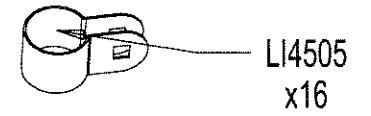
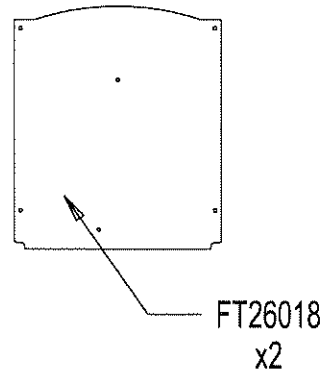
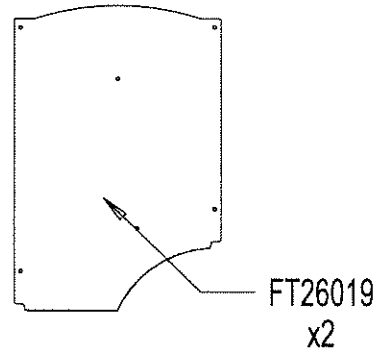
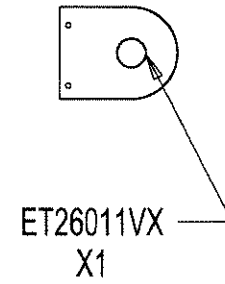
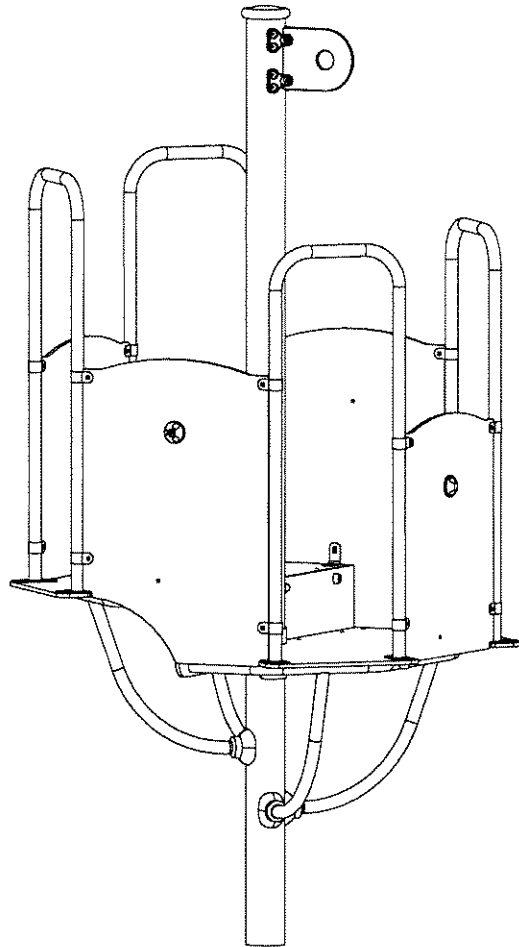
*ProLudic*

TEL : 02 47 40 44 44

	VFHCM6x40	1
	MI 025..	1
	M10440..	1
	LG4412	1

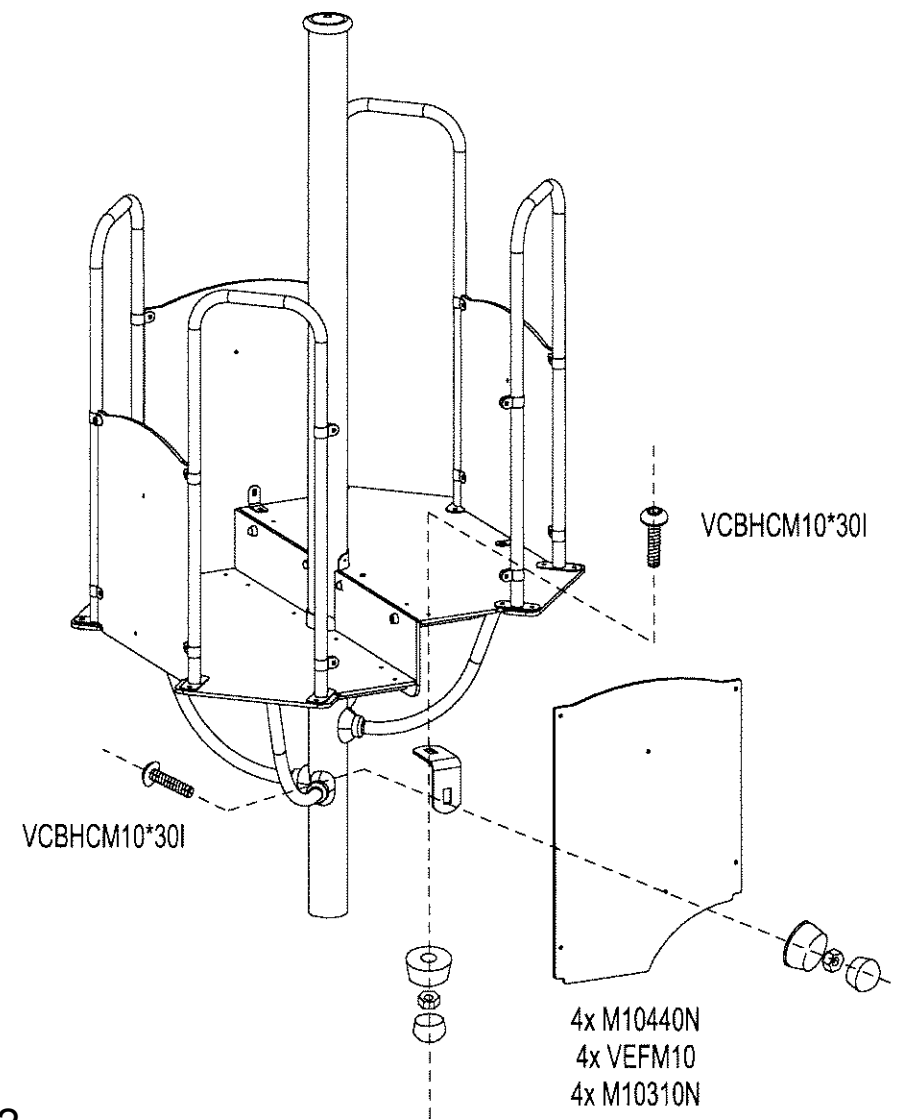
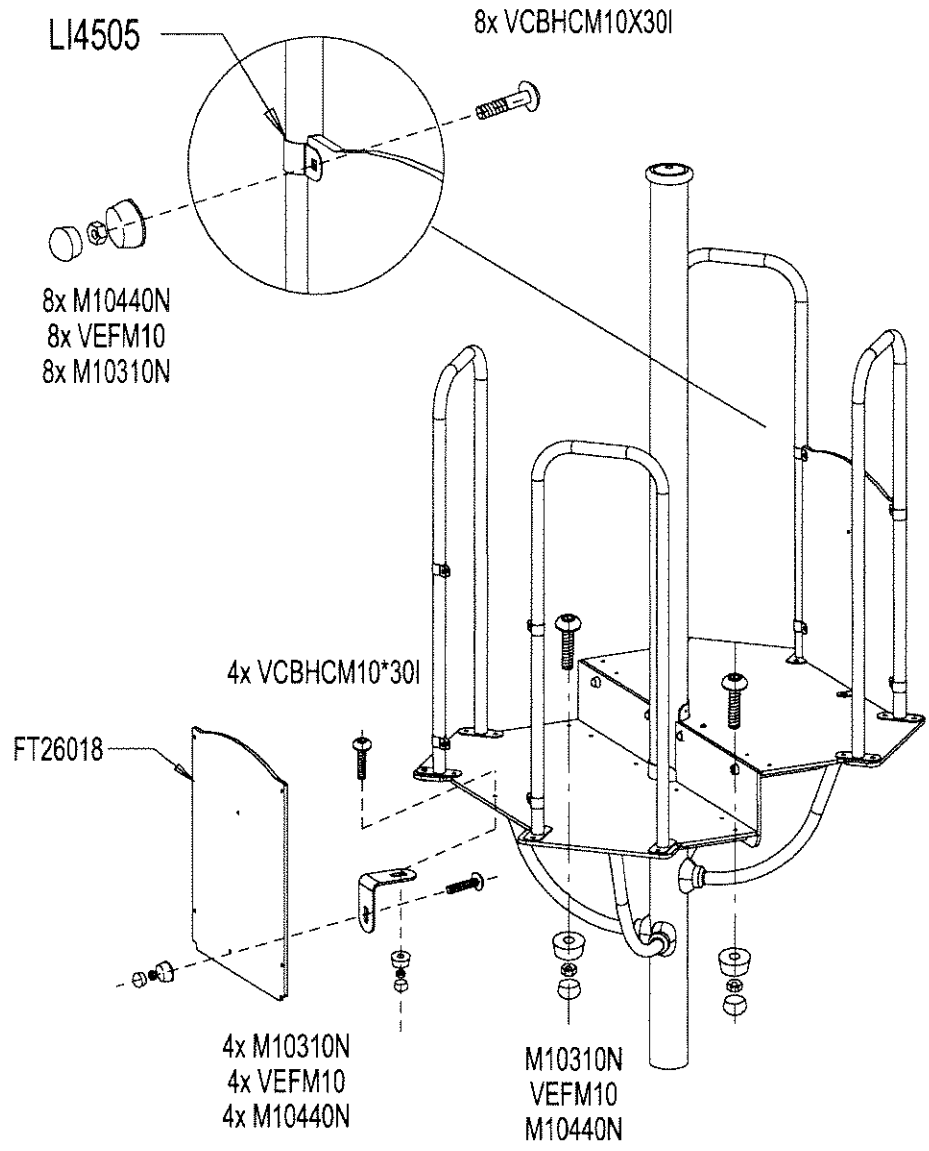


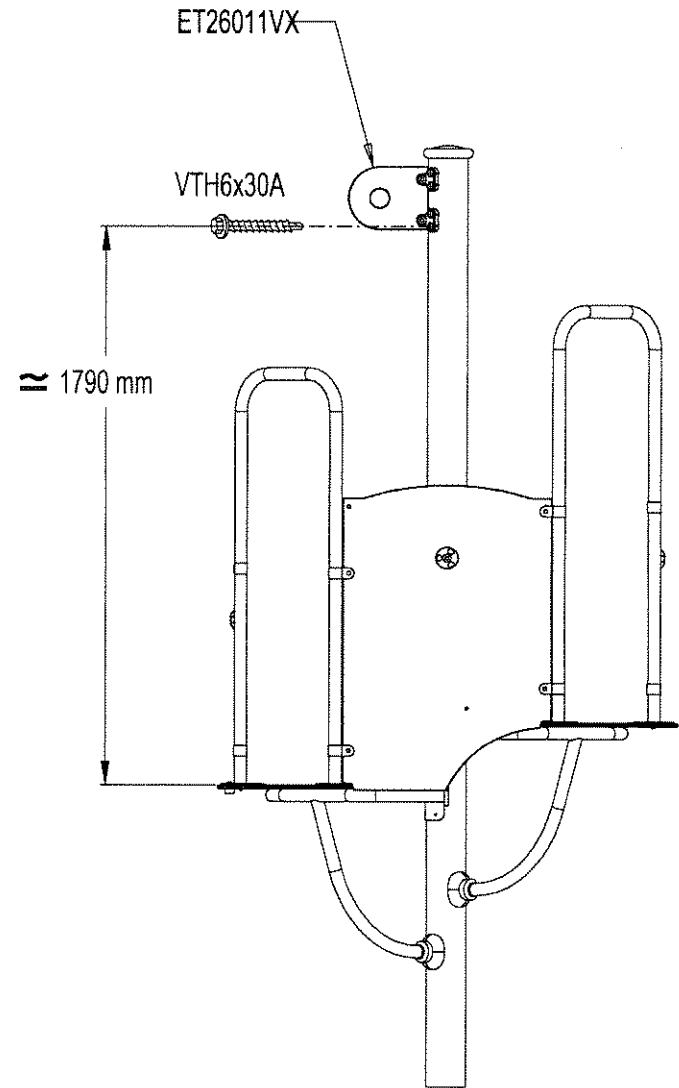
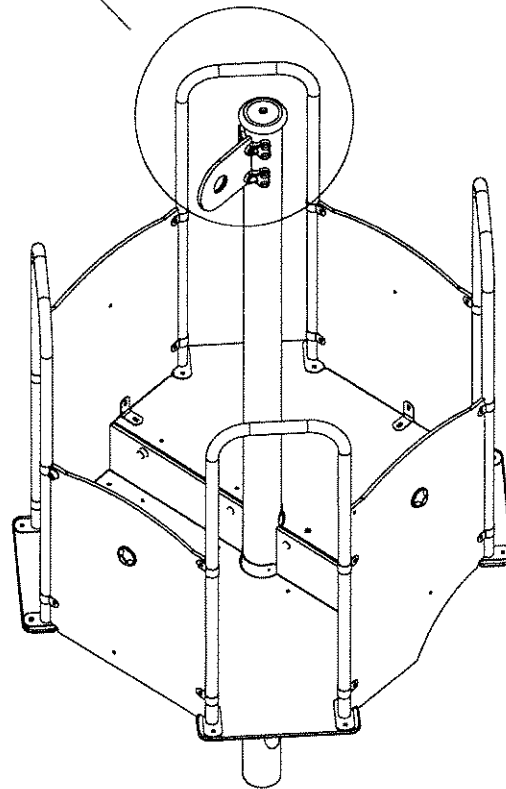
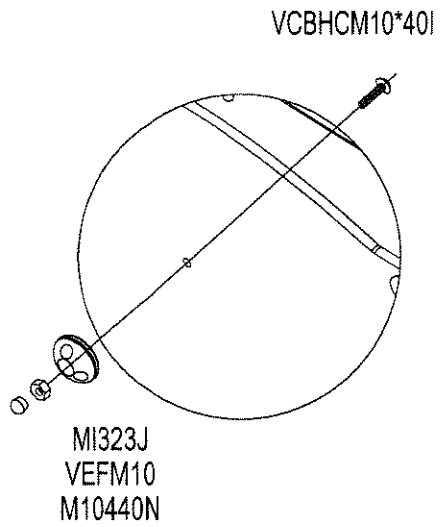
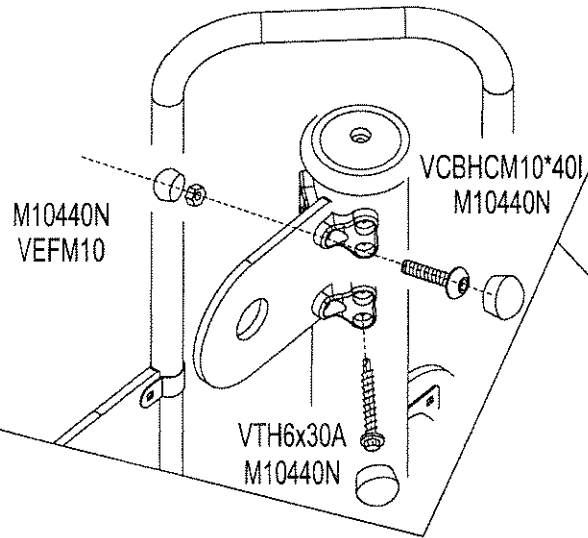
18-06-2006



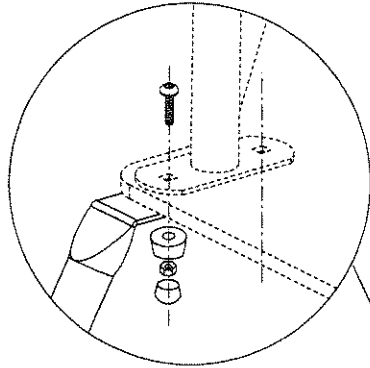
	VCBHCM10*30I	26
	VEFM10	32
	M10310N	26
	M10440N	42
	VCBHCM10*40I	6
	VTH6*30A	8



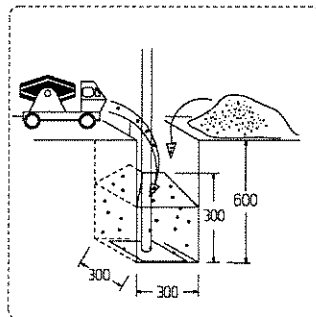
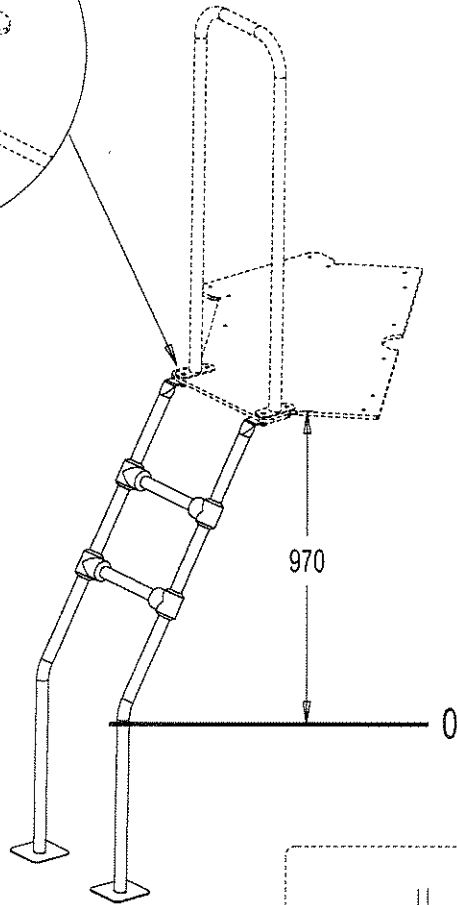




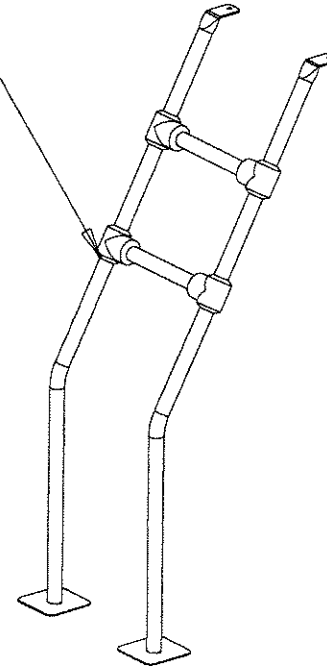
VCBCHM10\*40I



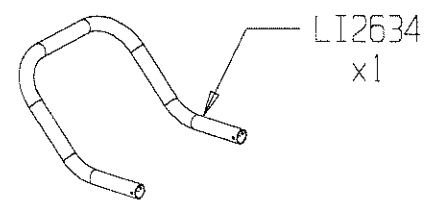
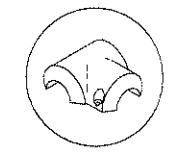
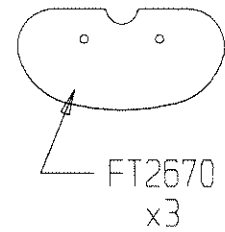
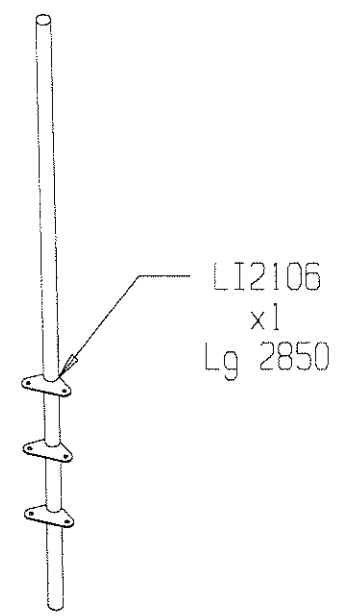
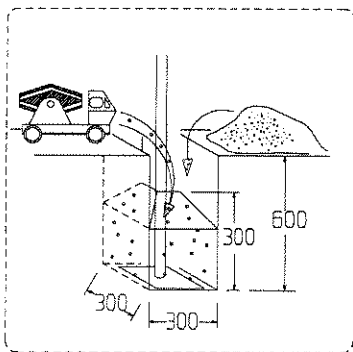
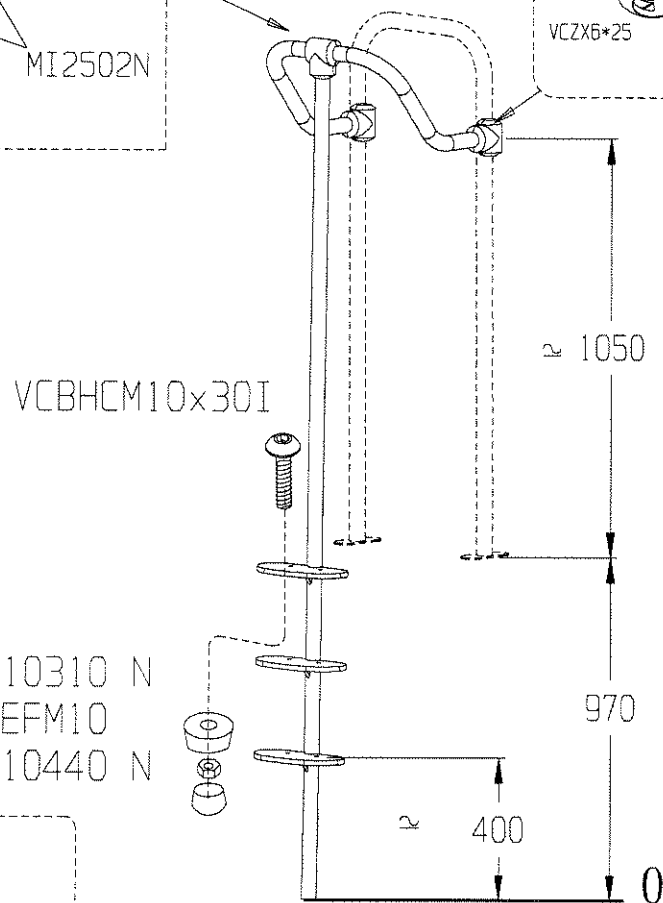
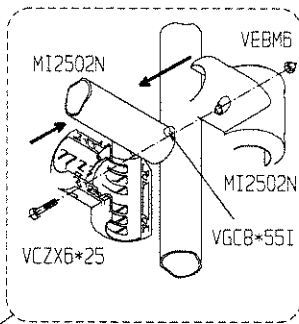
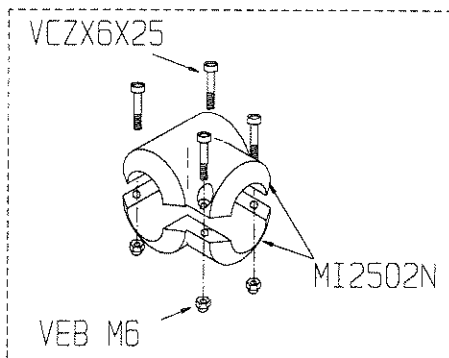
M10310N  
VEFM10  
M10440N



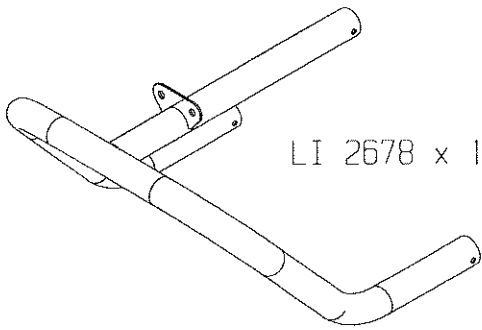
U2637  
x1



	VEFM10	2
	VCBCHM10*40I	2
	M10310N	2
	M10440N	2

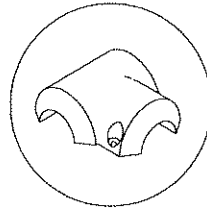


	VGC8*55I	2
	VCBHC10*30I	6
	M10310 N	6
	M10440 N	6
	VEFM10	12
	VCZX 6x25	12
	VEBM6	12

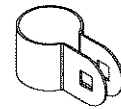


LI 2678 x 1

M12502N x 6

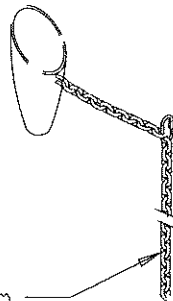


LI2532 x4



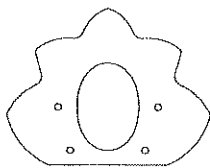
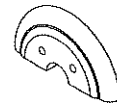
LI 3374 x1

U2618 x1

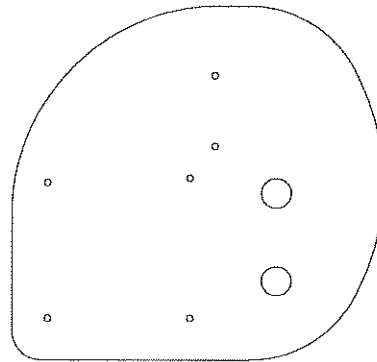


Lg 4.8m

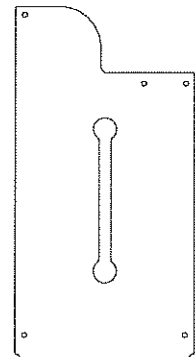
MU2601 x 2



ET26031J x1

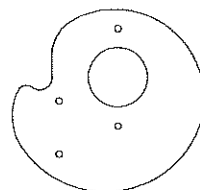


ET2673GA x1

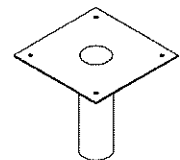


ET26030J x1

	VGC8*55I	1
	VCZX 6x25	12
	VCBHC10*60	2
	M10310N	22
	M10440N	22
	VEFM10	22
	VEBM6	12
	40 mm : P10	4
	VCBHC10*30I	20



ET2672GA x1



LG 240 x1

