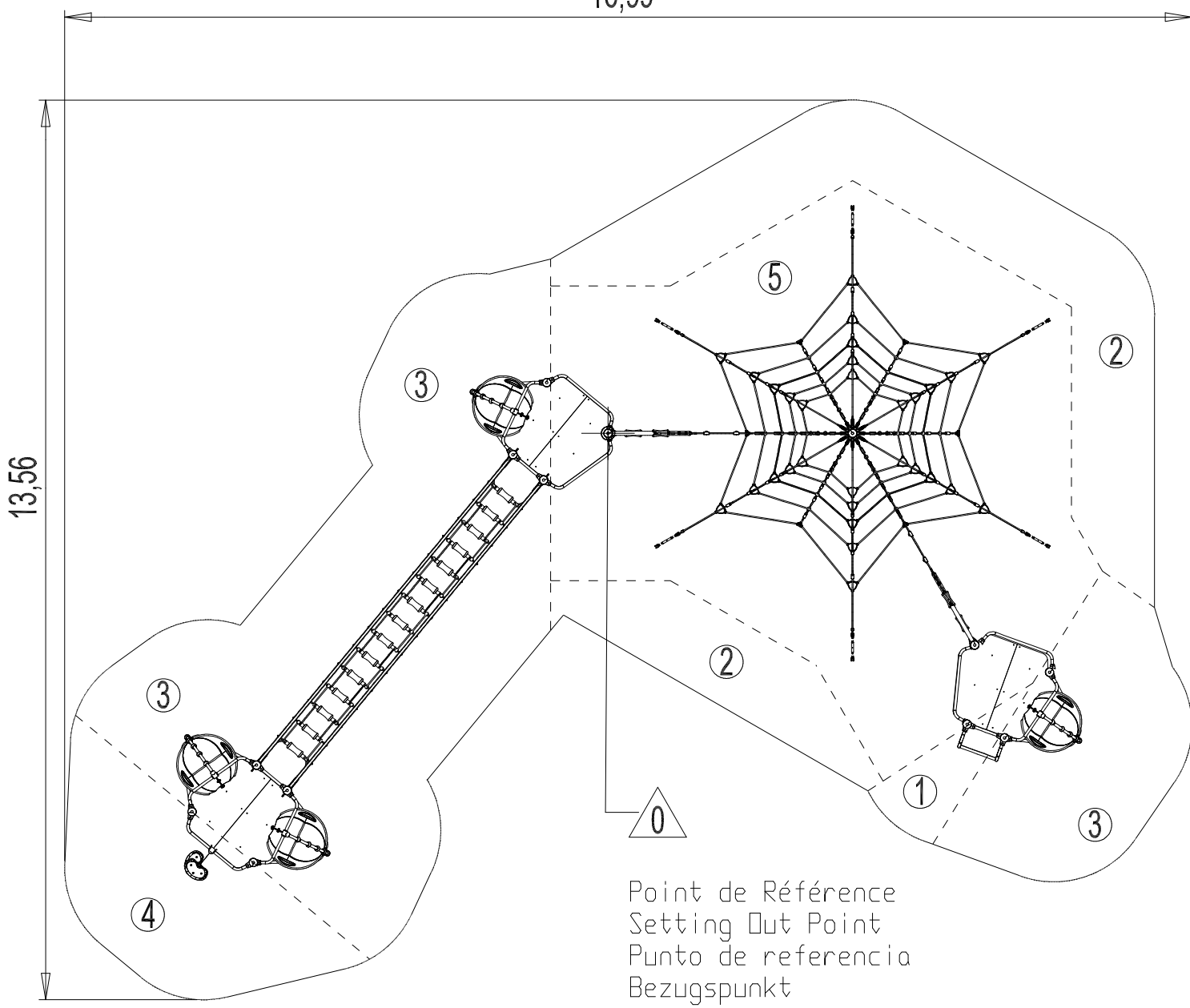


N°		M ²
①	0.9 m	2 m ²
②	1.1 m	22.5 m ²
③	1.3 m	46.5 m ²
④	1.7 m	10 m ²
⑤	2.5 m	49 m ²

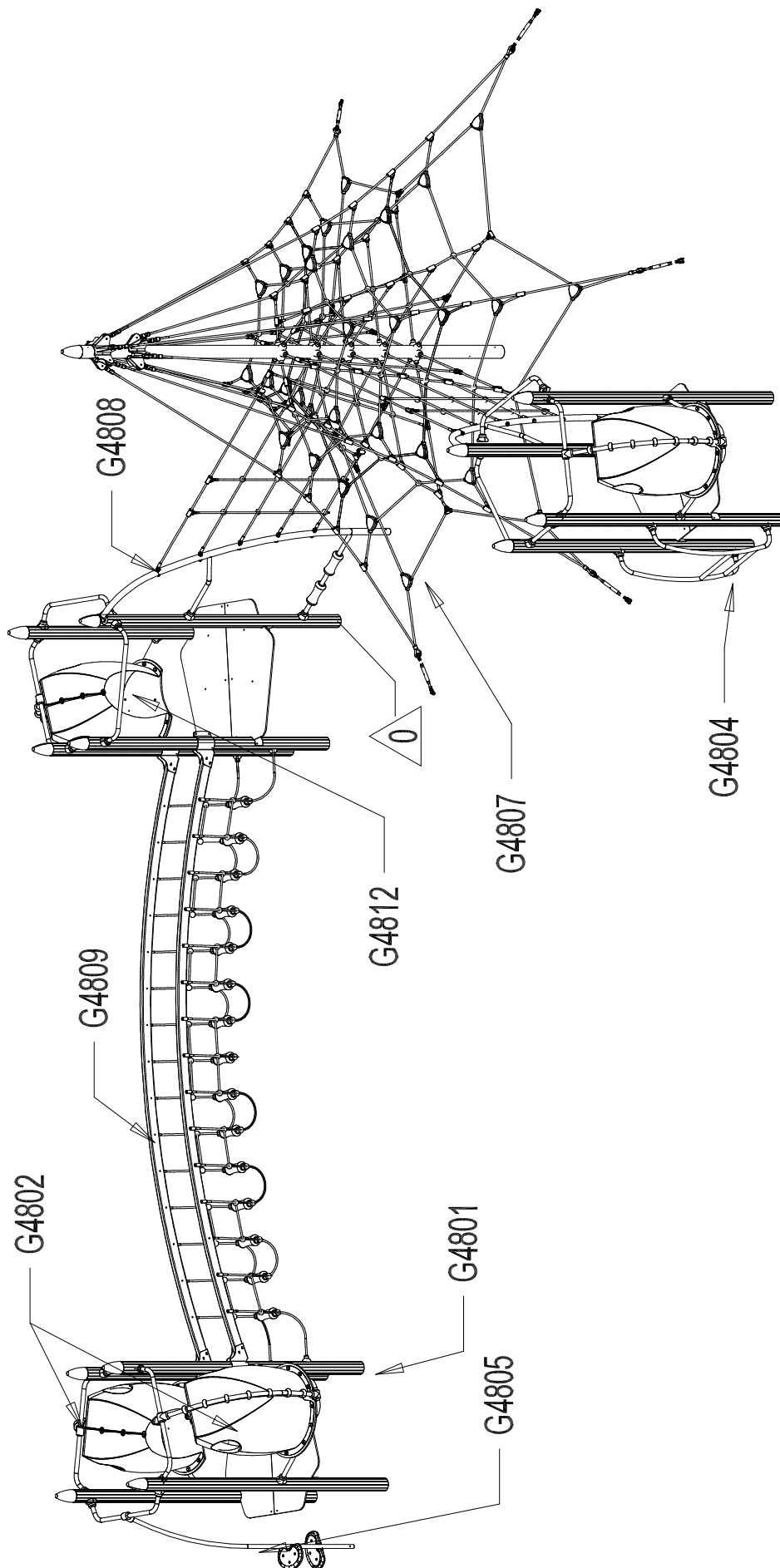
— Zone d'Impact
 Impact Area
 Area de Impacto
 Fallraum

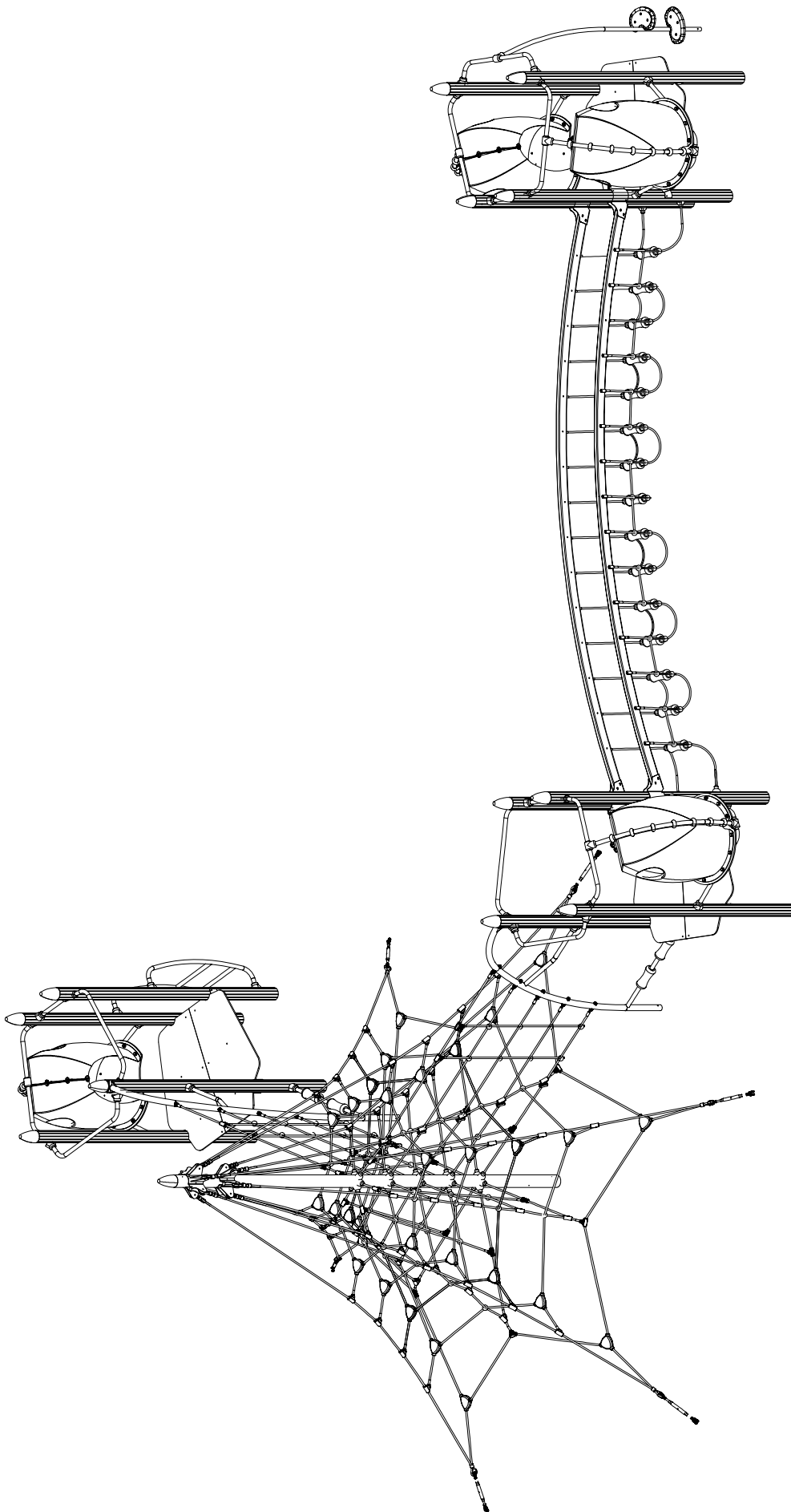
EN 1176-1 : 2017

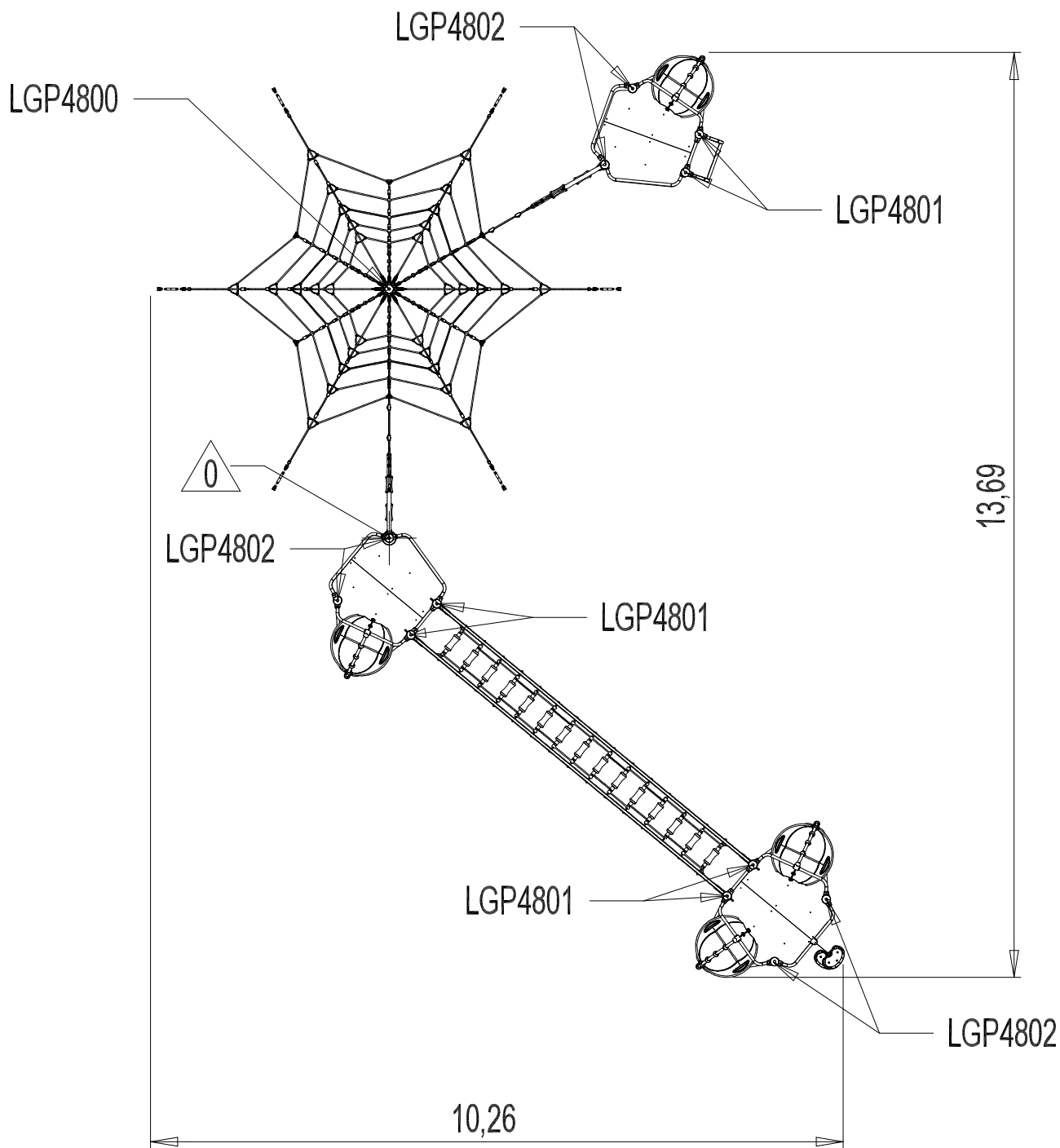
16,99



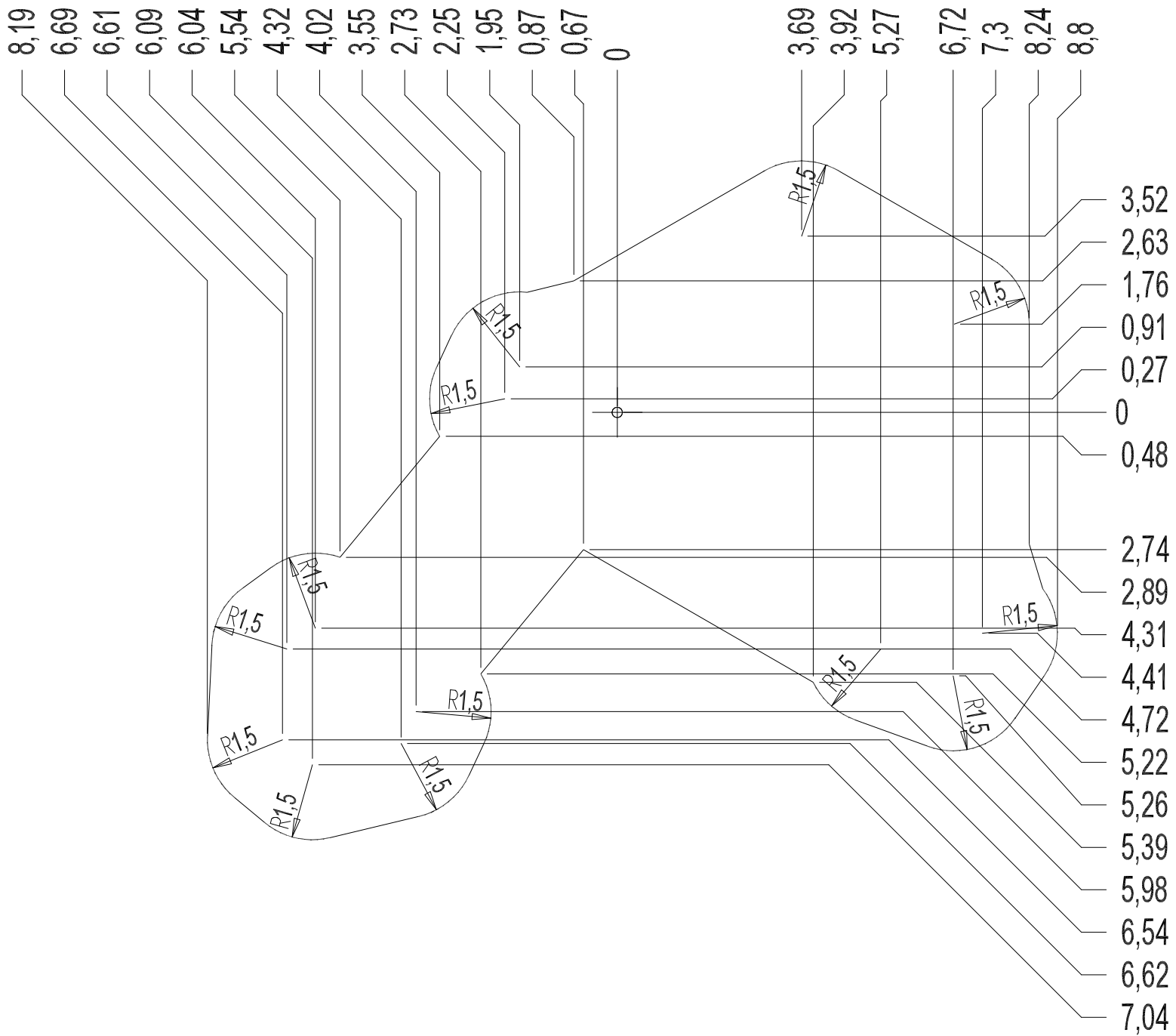
Point de Référence
 Setting Out Point
 Punto de referencia
 Bezugspunkt



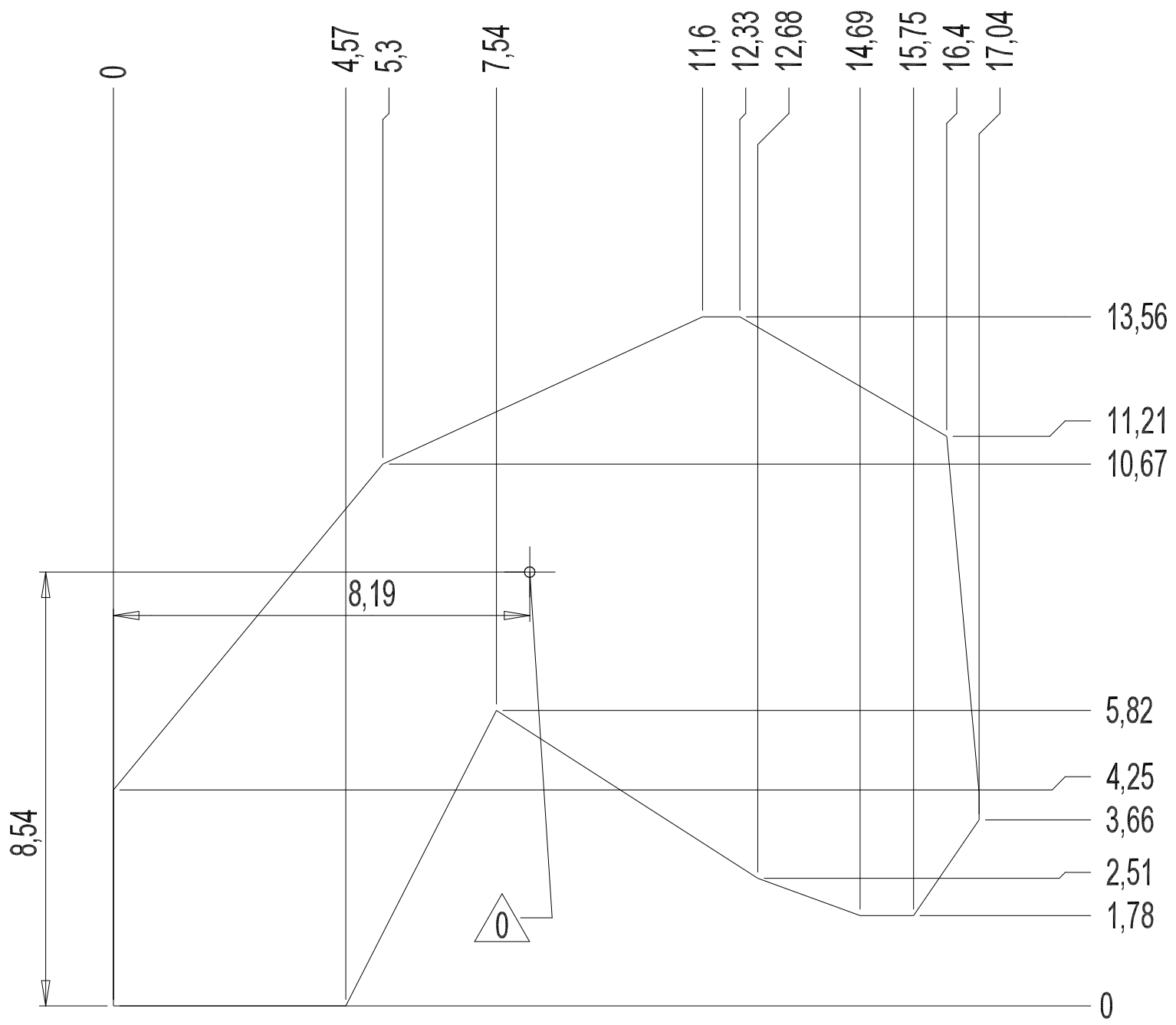




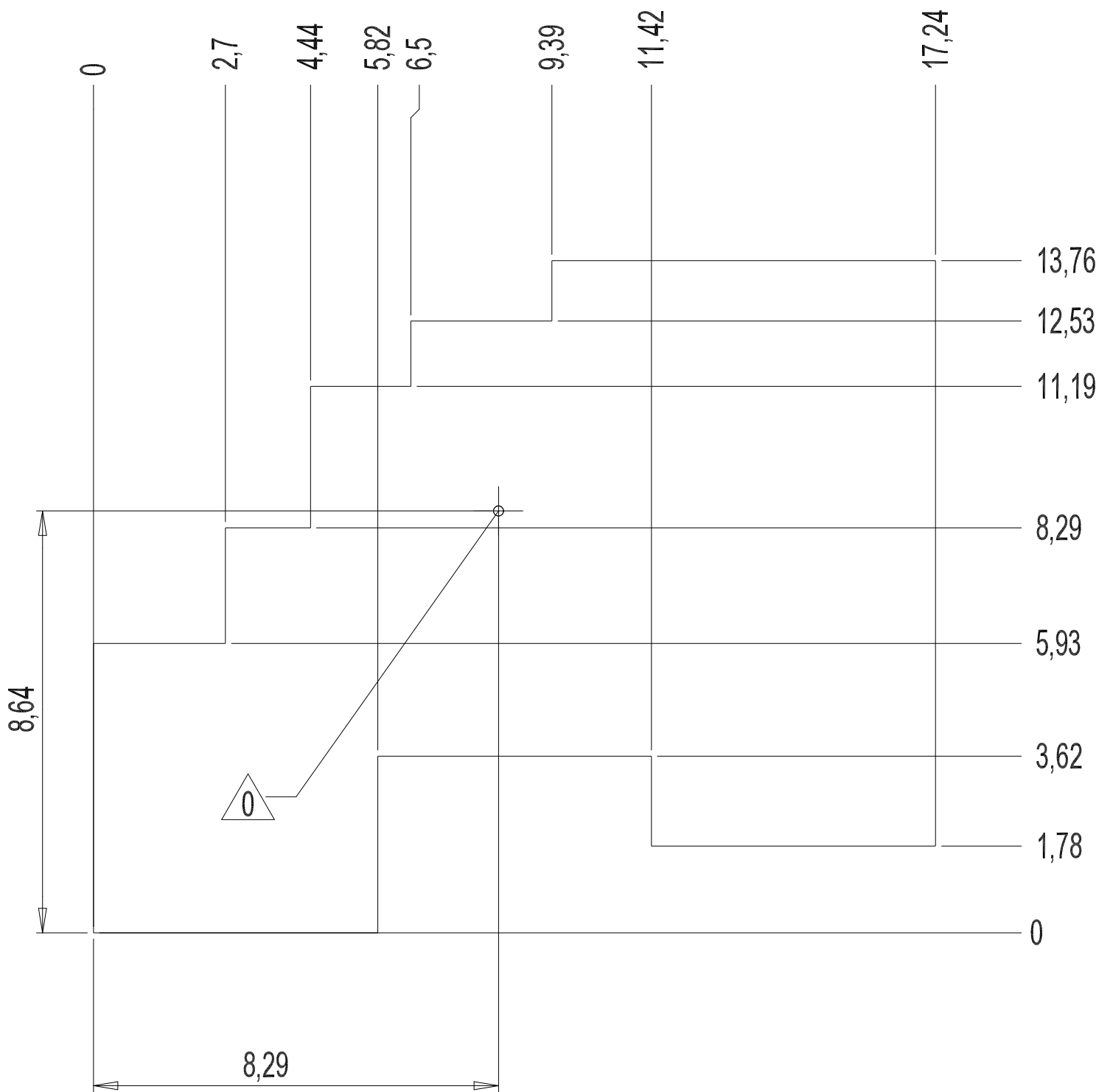
— Zone d'Impact **130 m²**
 Impact Area
 Area de Impacto
 Fallraum



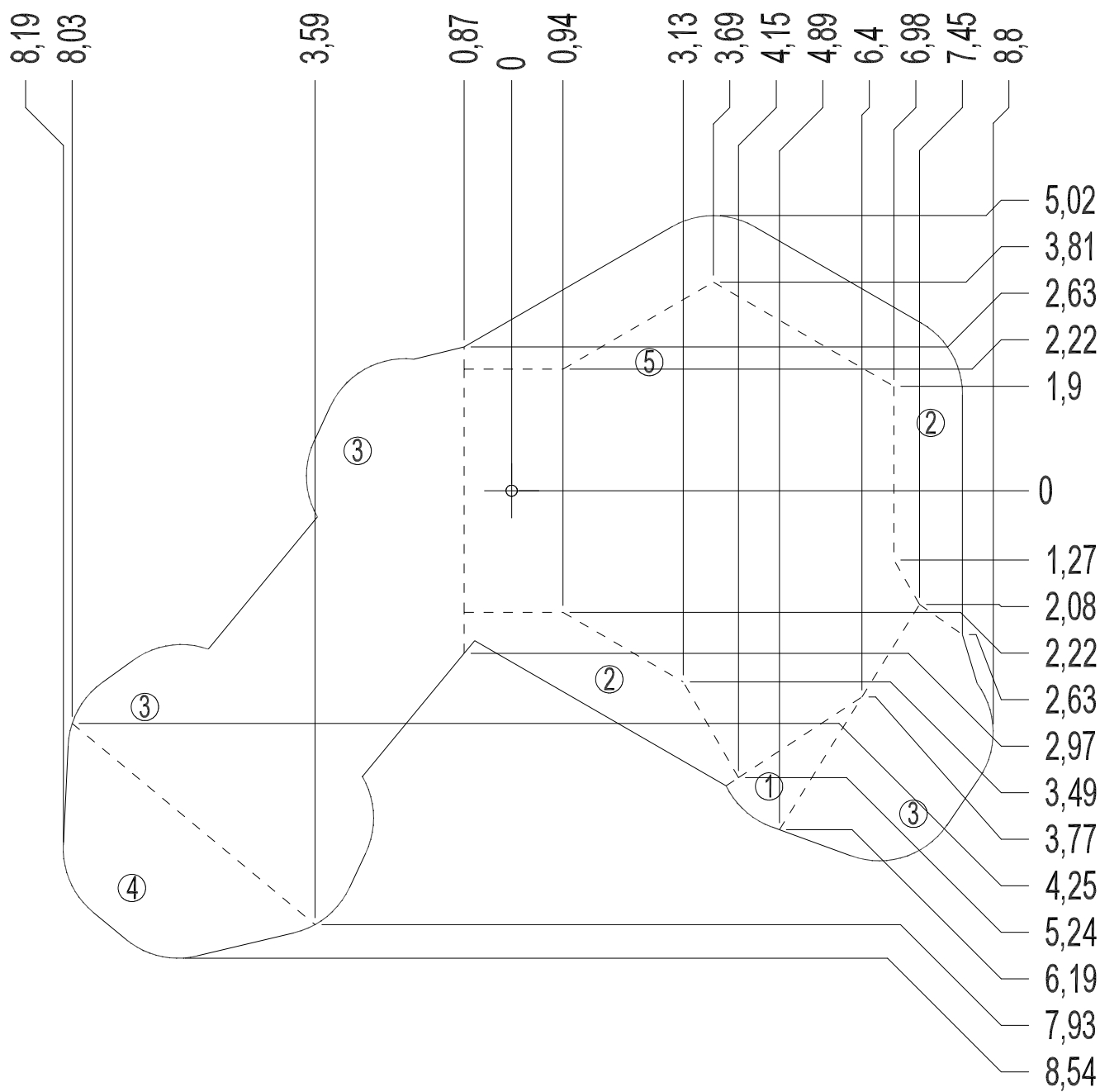
— Dalle béton **55 m**
 Concrete pad **141 m²**
 Solera de Hormigón
 Beton Bodenplatte

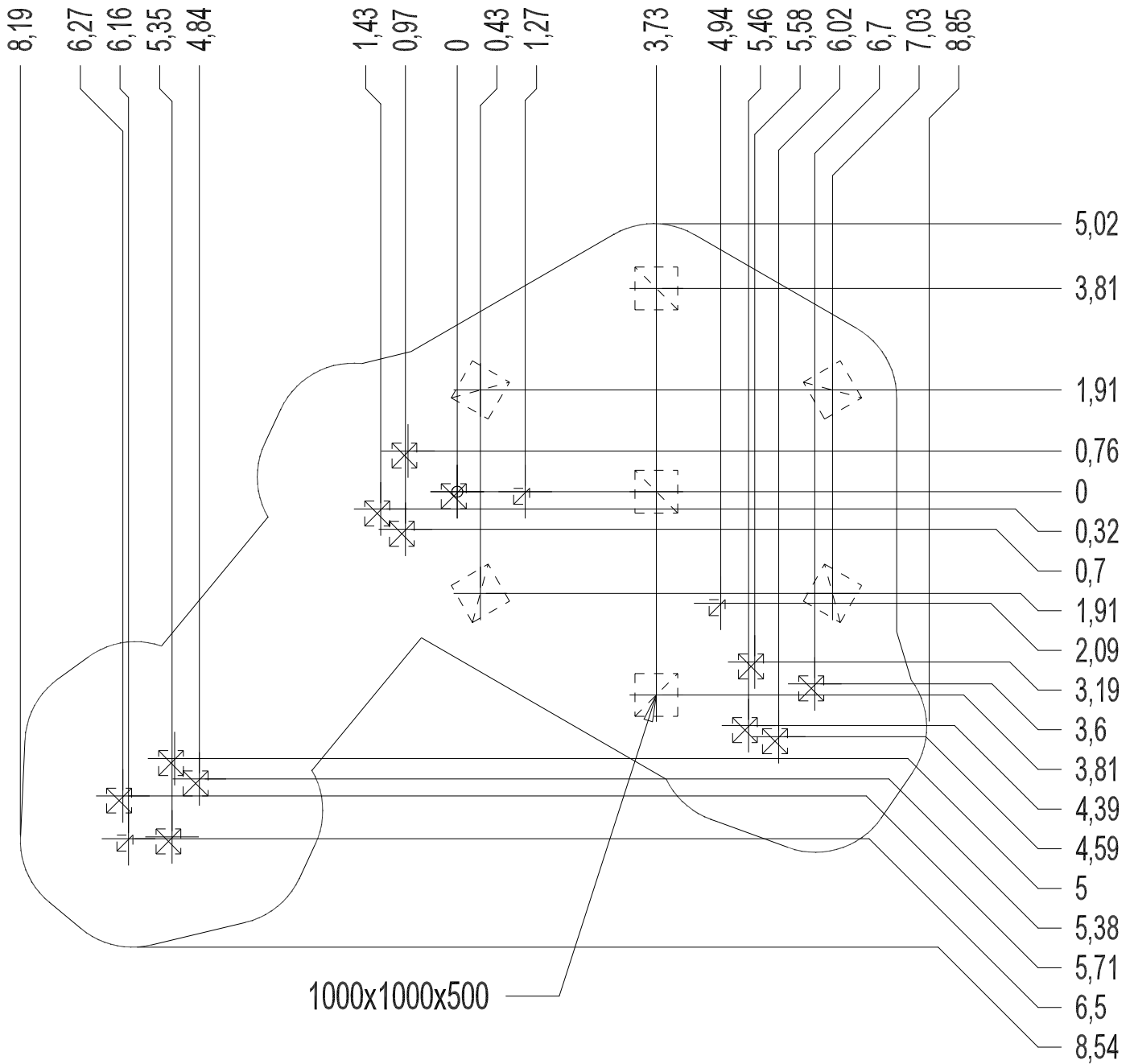


— Sol fluent **66 m**
 Loose particle material **167 m²**
 Arenero
 Loses Bodenmaterial

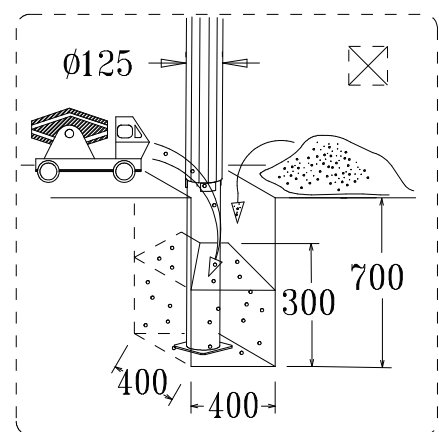
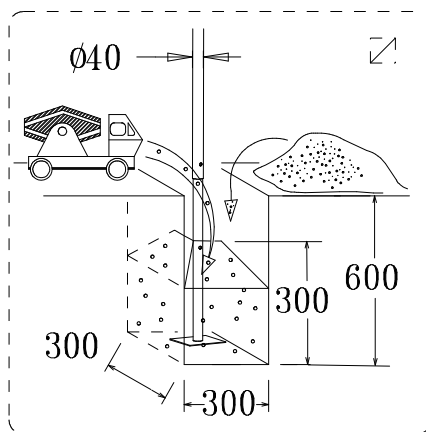




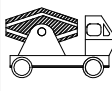
— Sol souple **130 m²**
 Wetpour
 Caucho Continuo
 Synthetischer Fallschutz

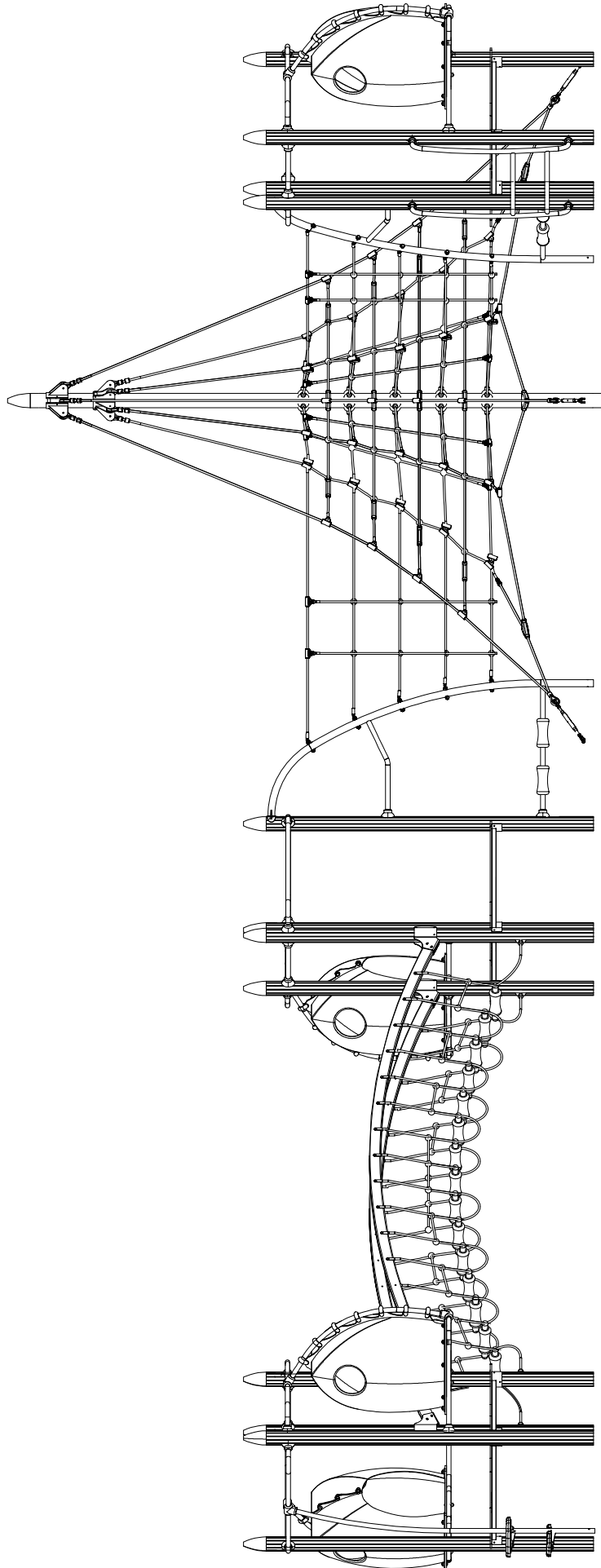


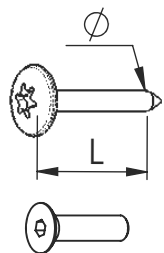


Implantation
 Footing plan
 Implantación
 Fundamentplan



 x2	 10H	 3.4m ³
--	---	---





VBT 6 x 30
 \varnothing \uparrow L (mm)

VFHC



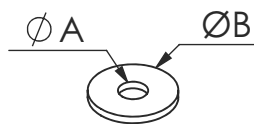
VEC M10
 \varnothing



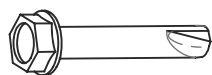
VEF



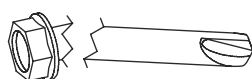
VEB



VR6x18
 $\varnothing A$ $\varnothing B$



VTHA

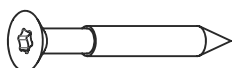


1000 - 1800 tr/min

Vitesse de rotation
 Rotation speed

14 N.m

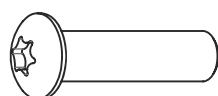
Couple de rupture
 Torque of break



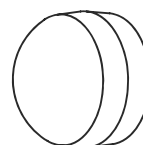
VWT



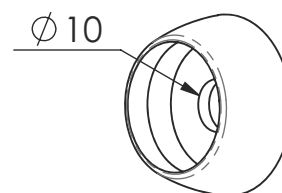
VGC



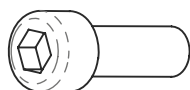
VCBHC



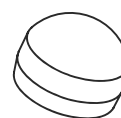
M10 440N



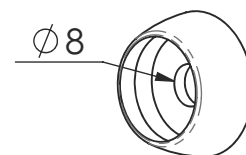
M10 310 N



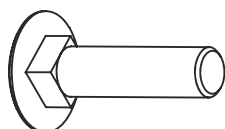
VBTR



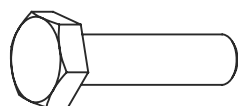
M8440N



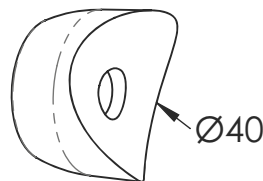
M8310N



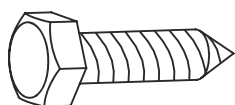
VTRCC



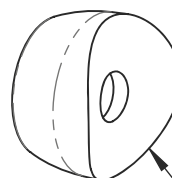
VTH



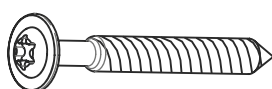
MI2503



VTF



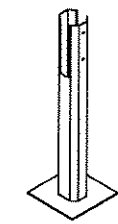
MI2701



VBT

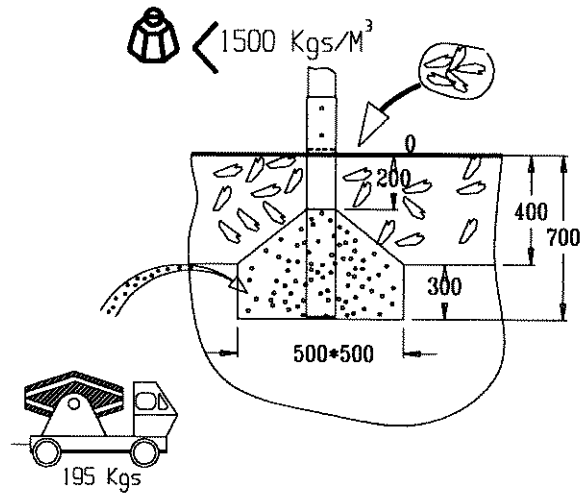
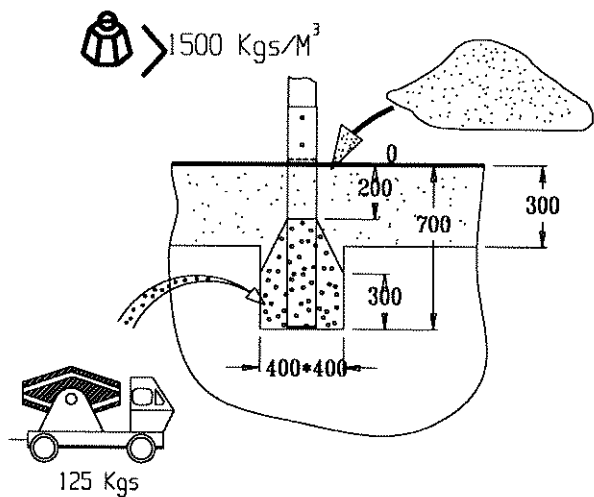
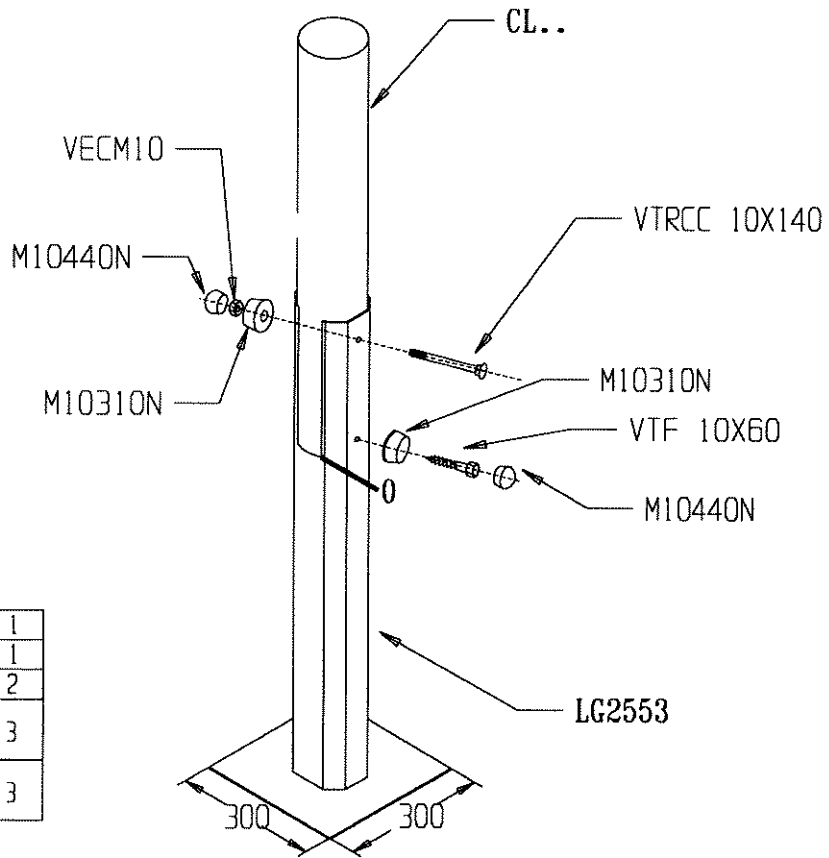
A

ProLudic

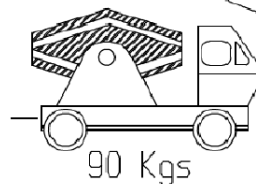
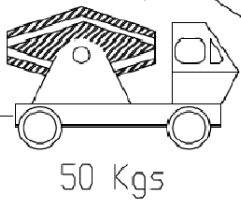
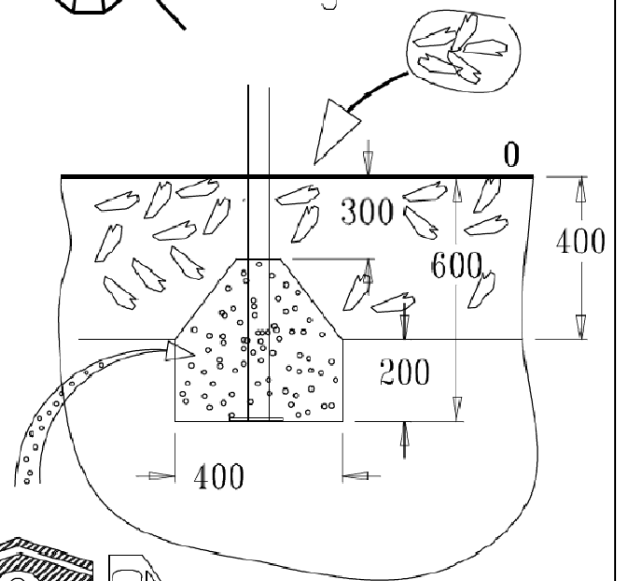
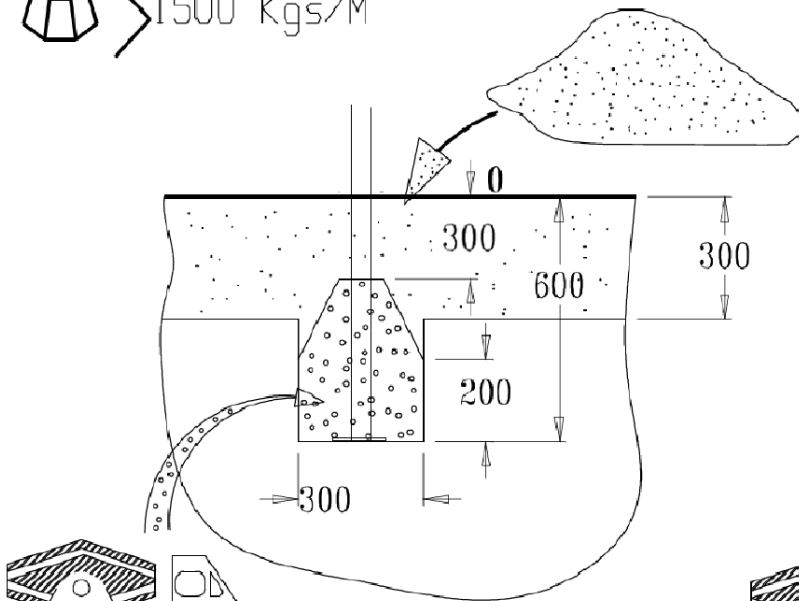
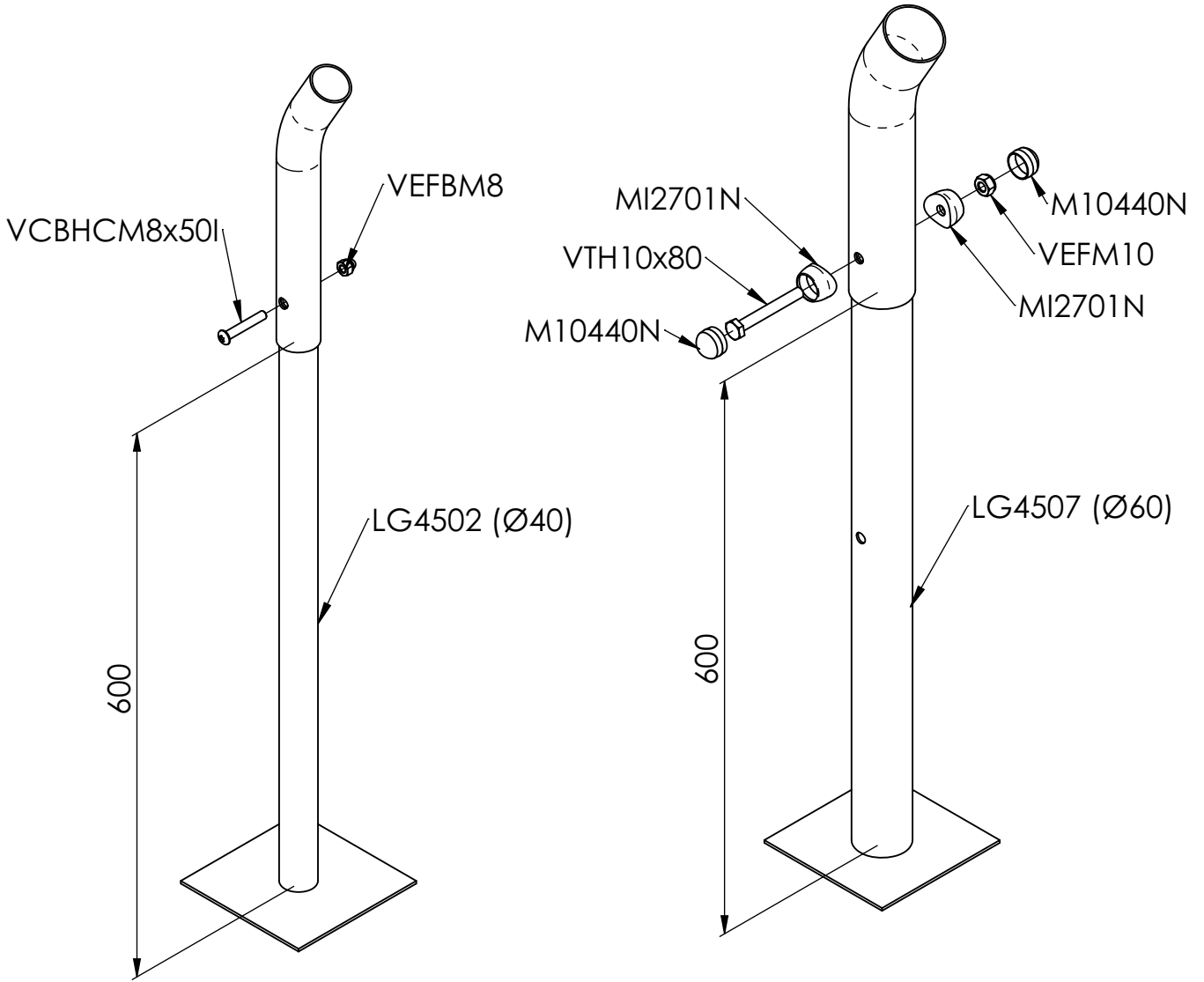


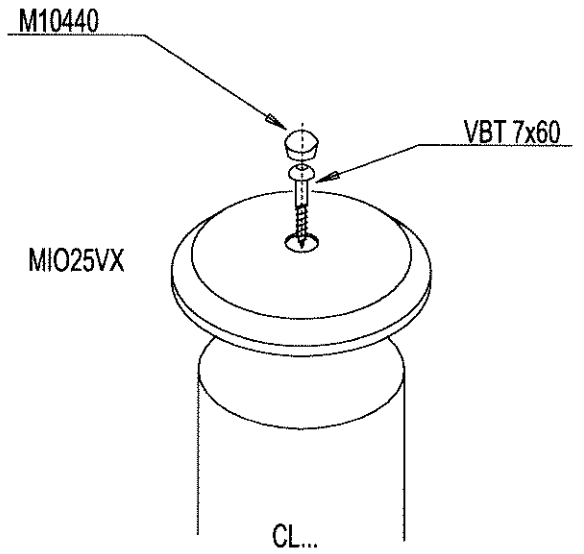
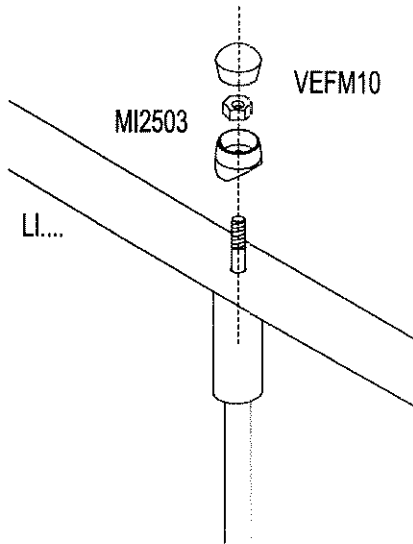
LG2553

	VTRCC 10x140	1
	VECM10	1
	VTF 10x60	2
	M10310N	3
	M10440N	3

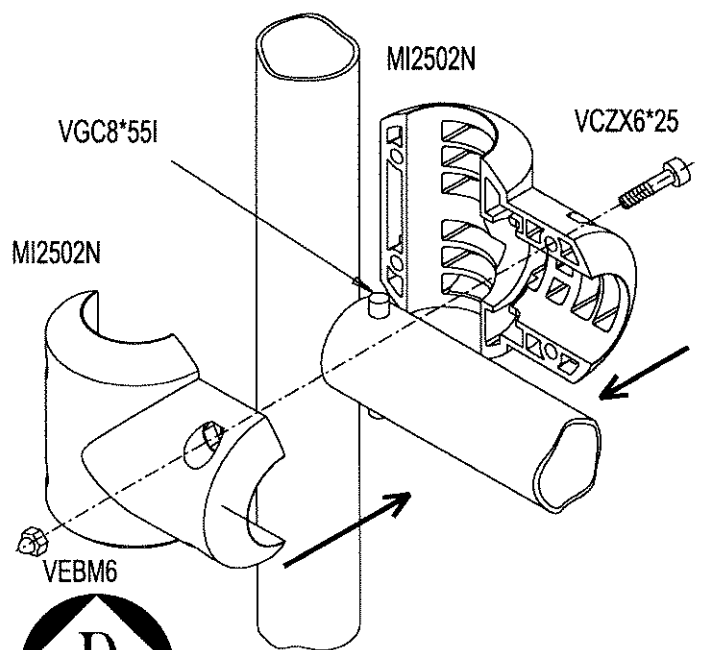
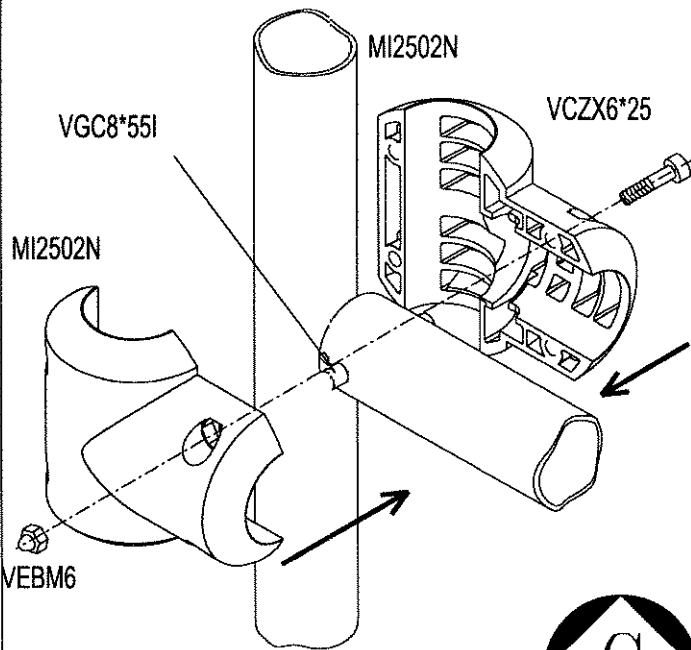


04-05-10

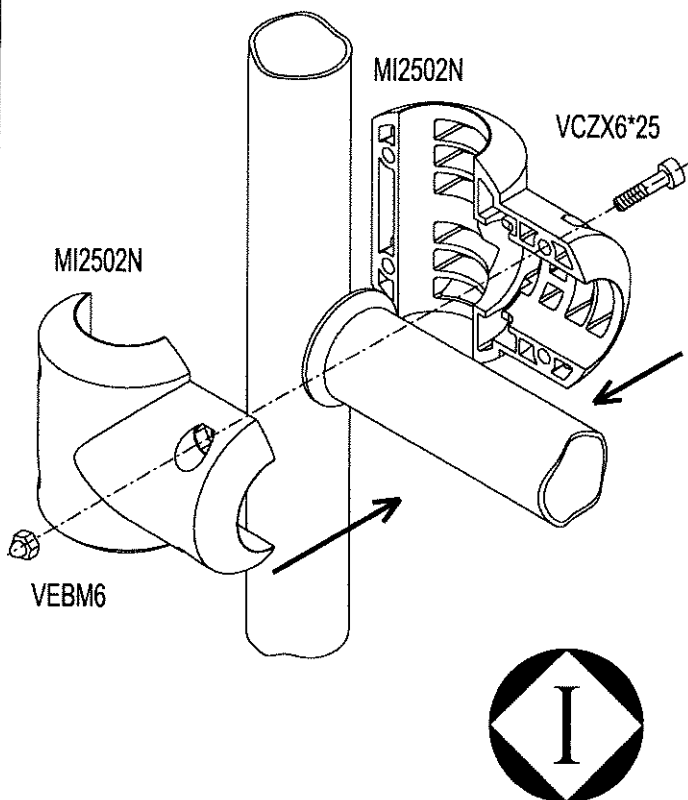




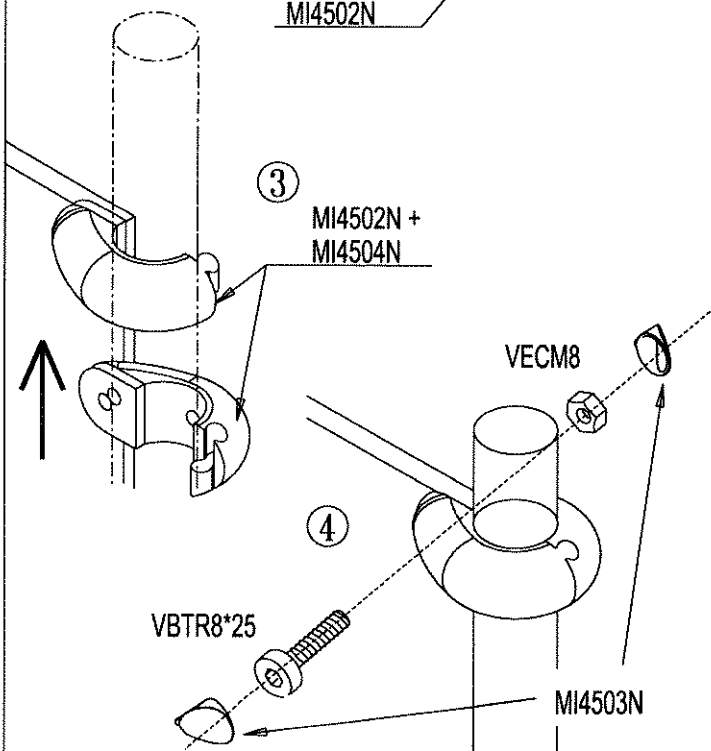
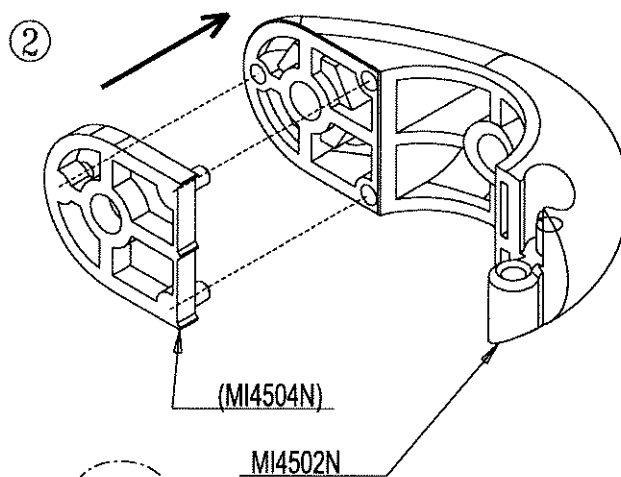
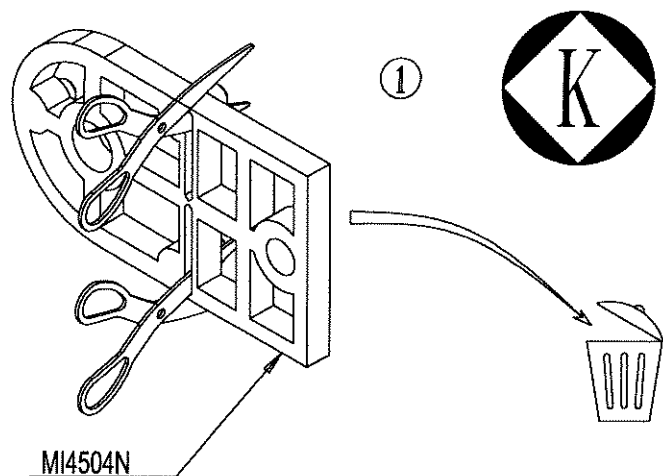
MI2502N + VGC8*55I



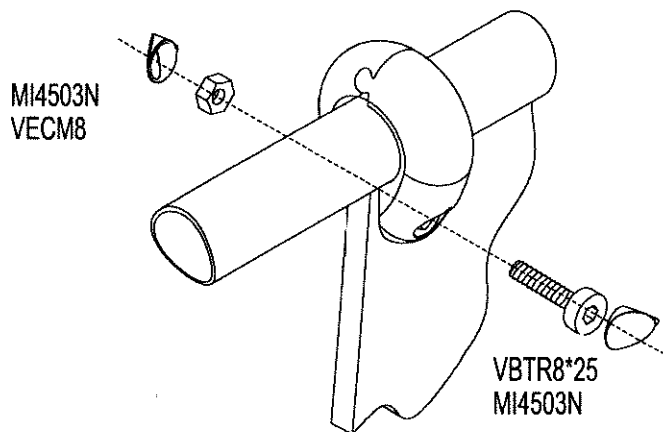
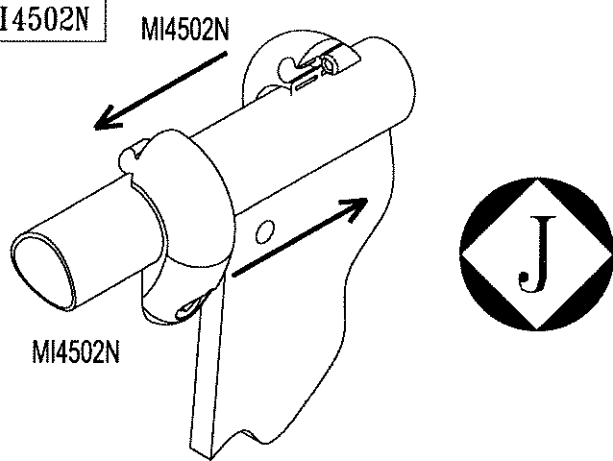
MI2502N



MI4502N + MI4504N

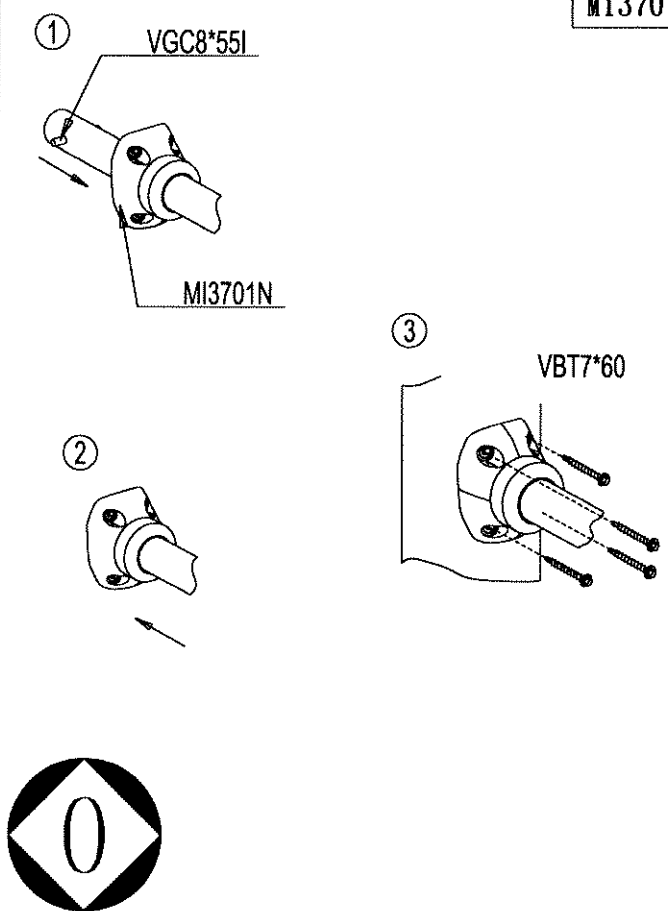
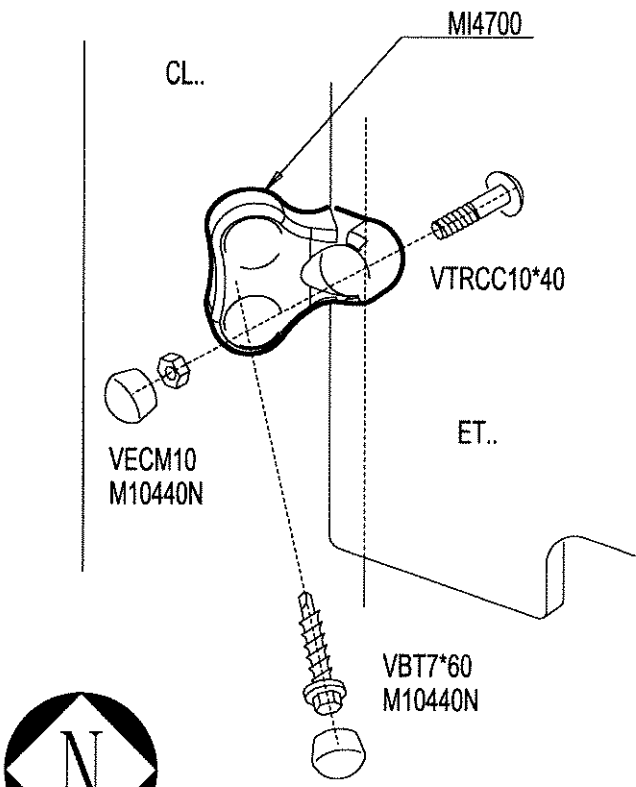


MI4502N

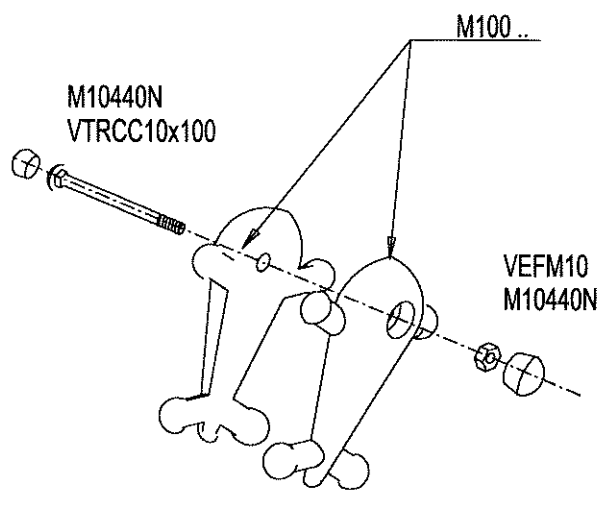
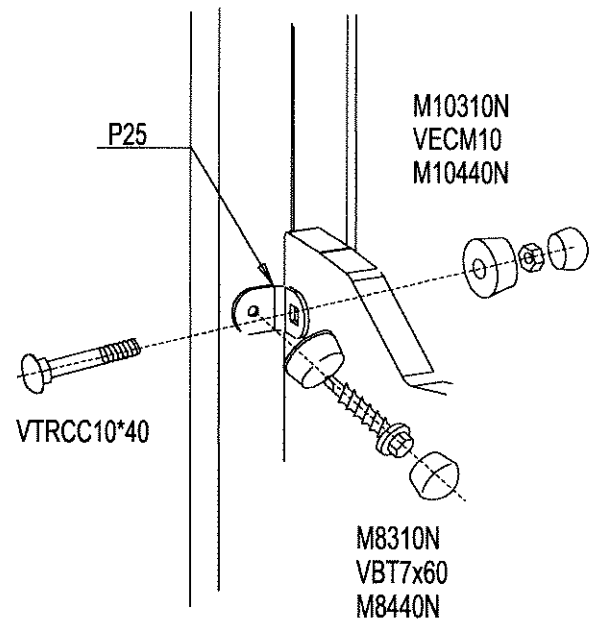


MI4700

MI3701N



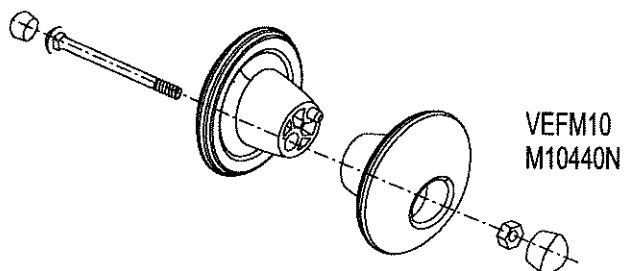
M100..



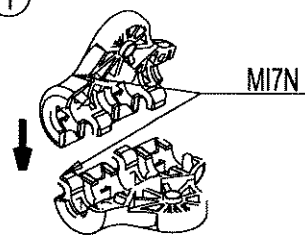
MI4700

MI3701N

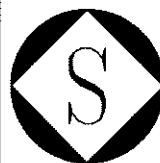
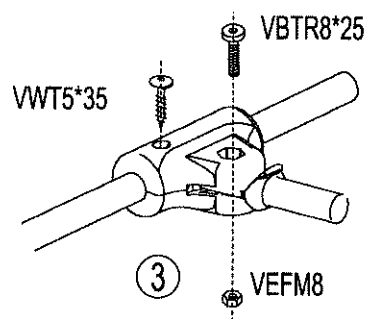
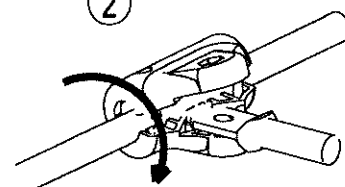
M10440N
VTRCC10x100

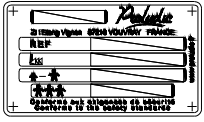


①

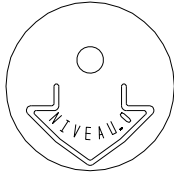


②

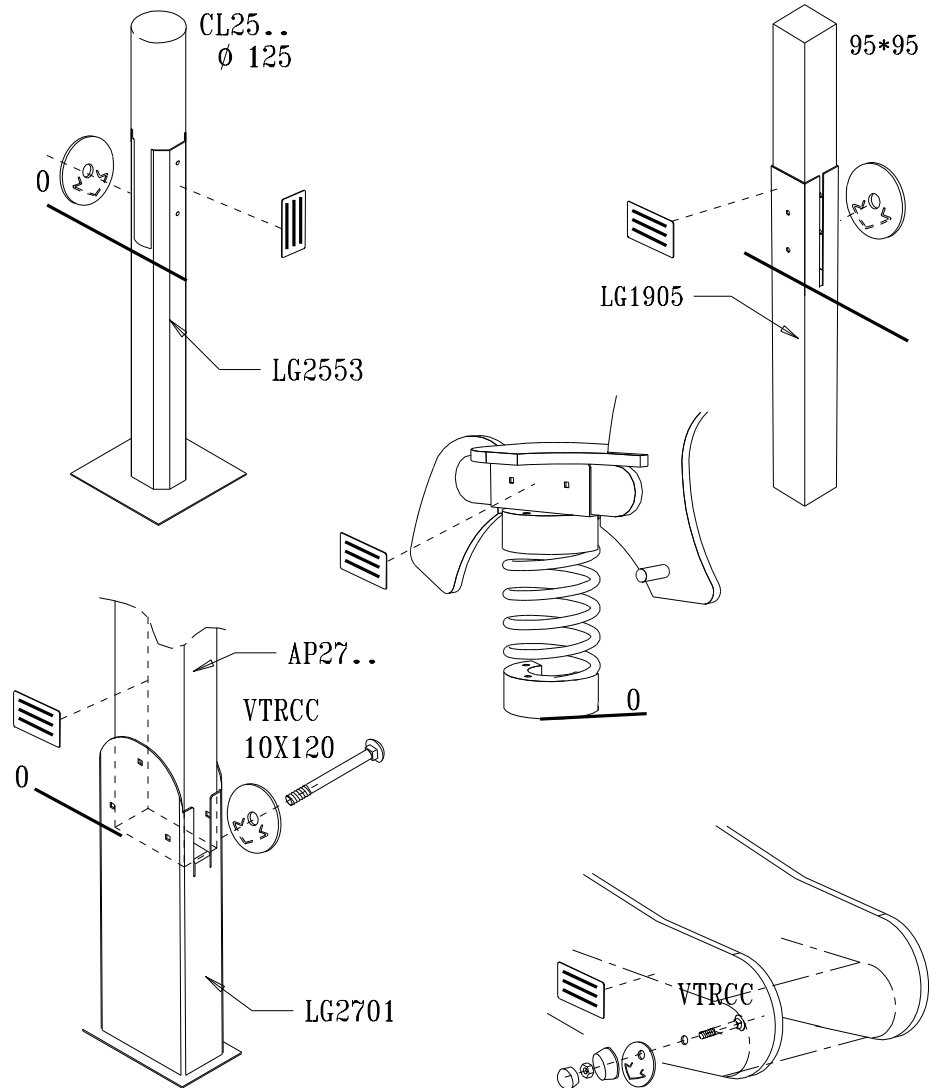
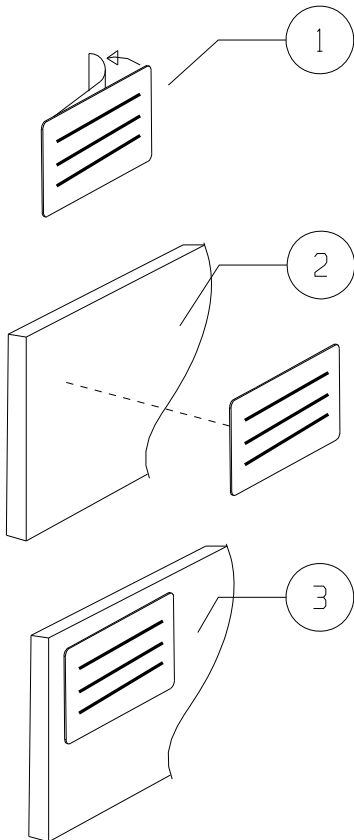
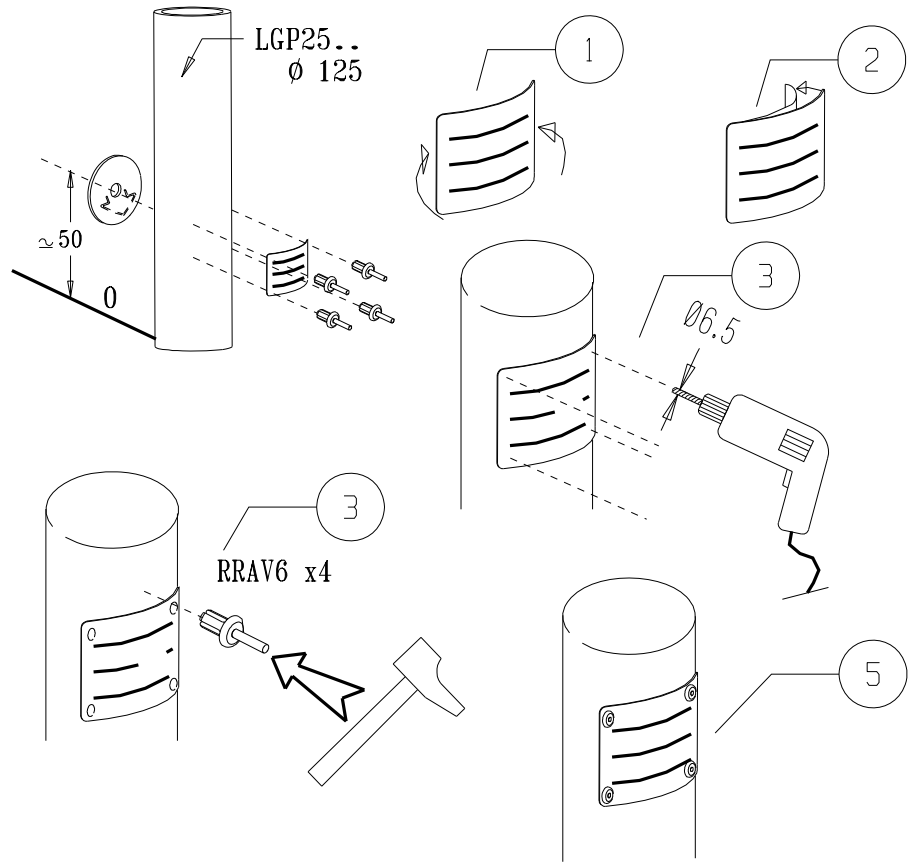


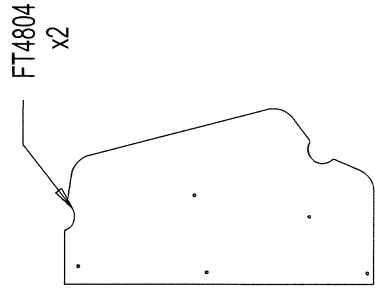
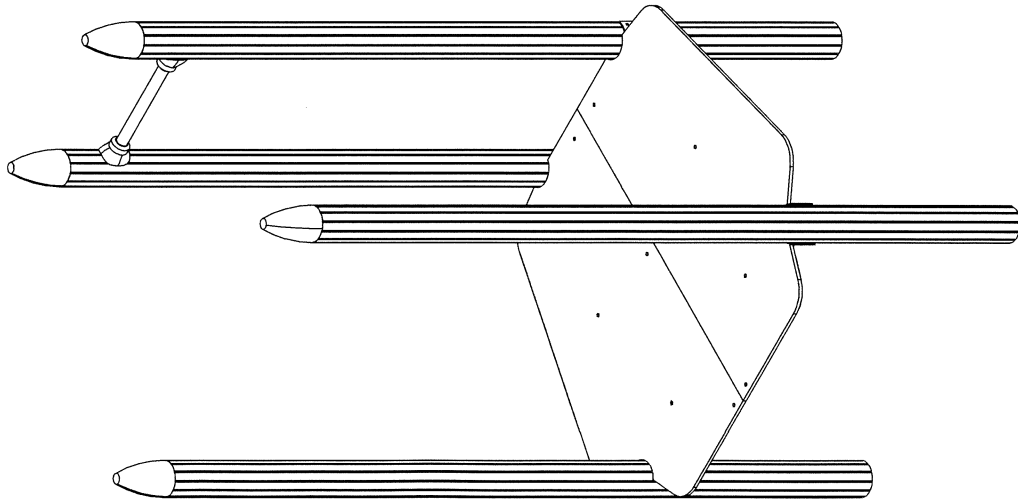


LA000

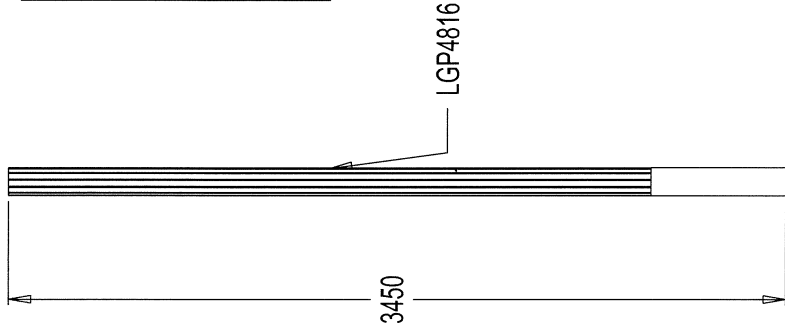
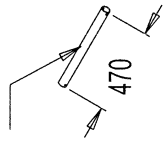


MI0002

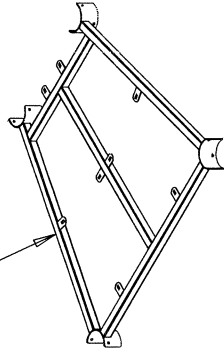




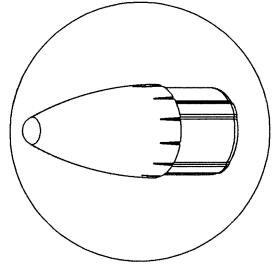
LI48111



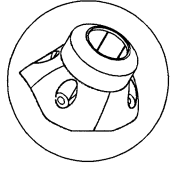
LI48136



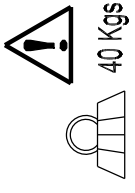
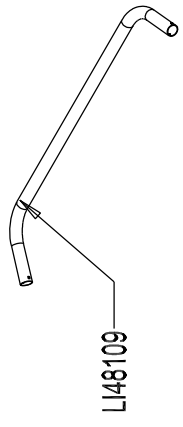
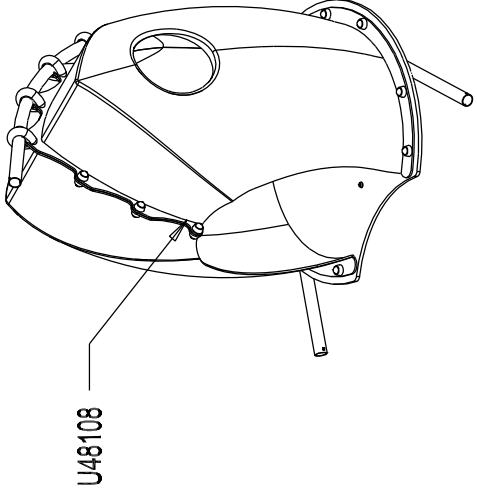
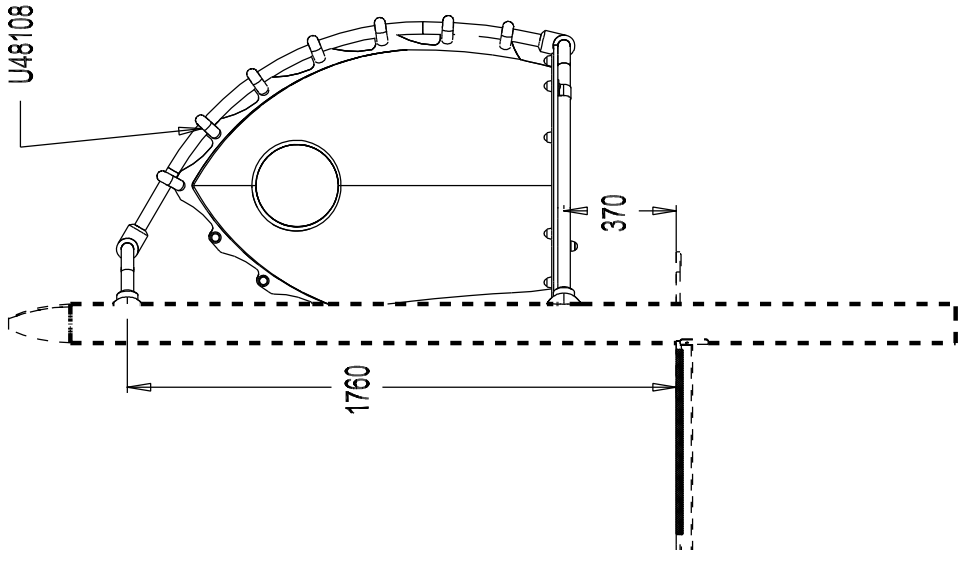
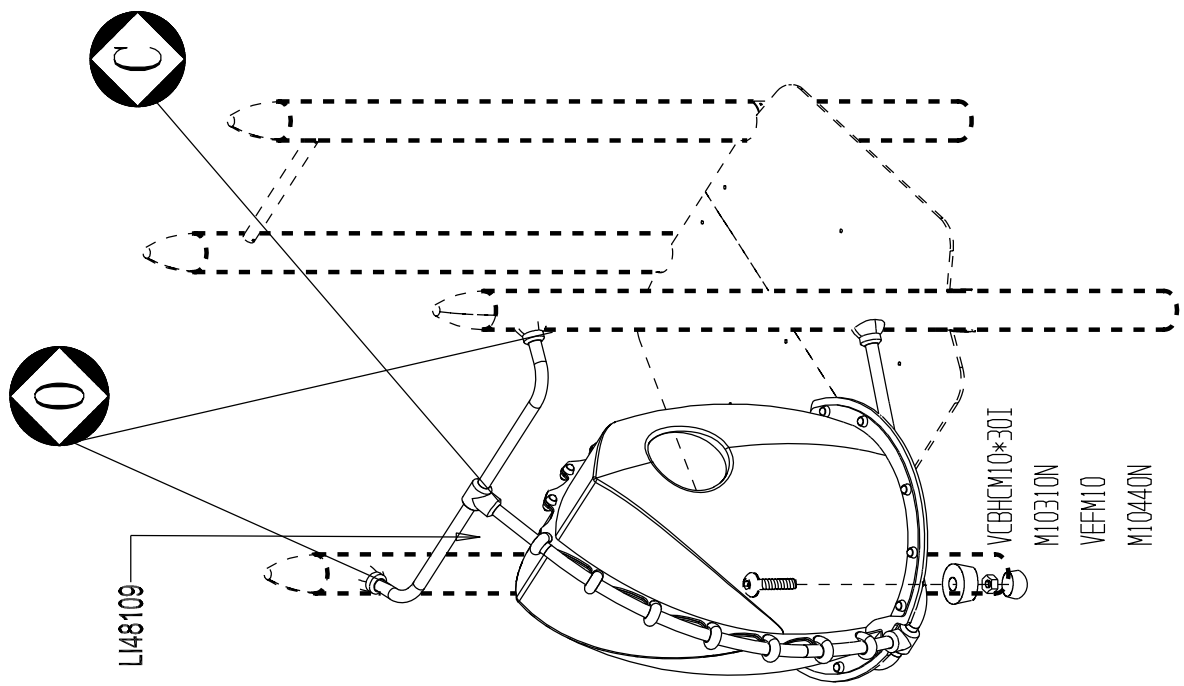
M4500 x4



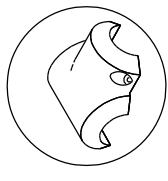
MI3701N x2



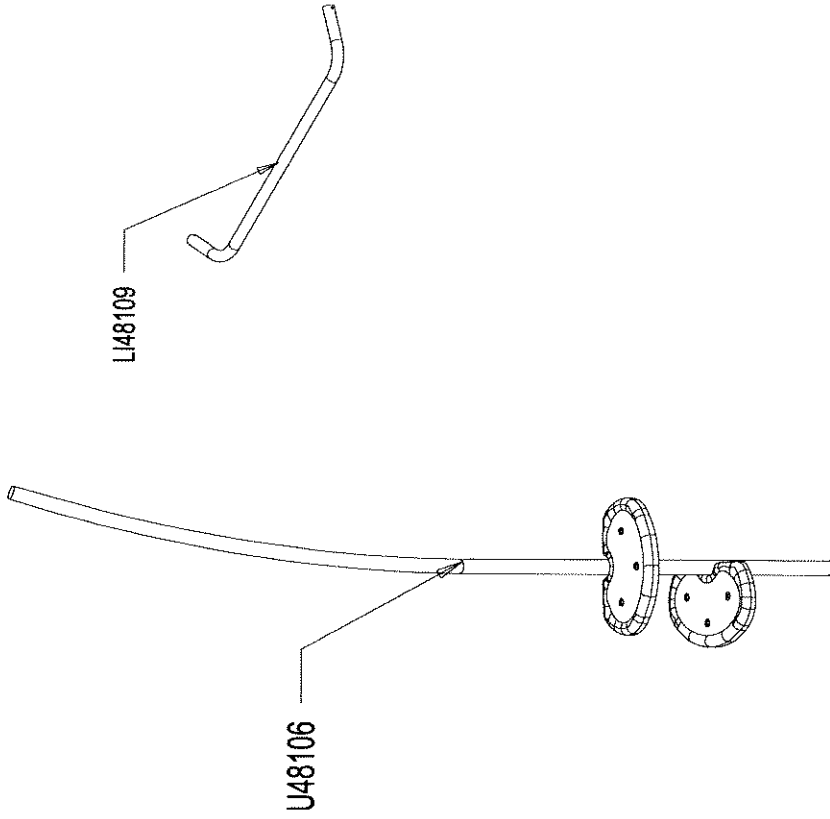
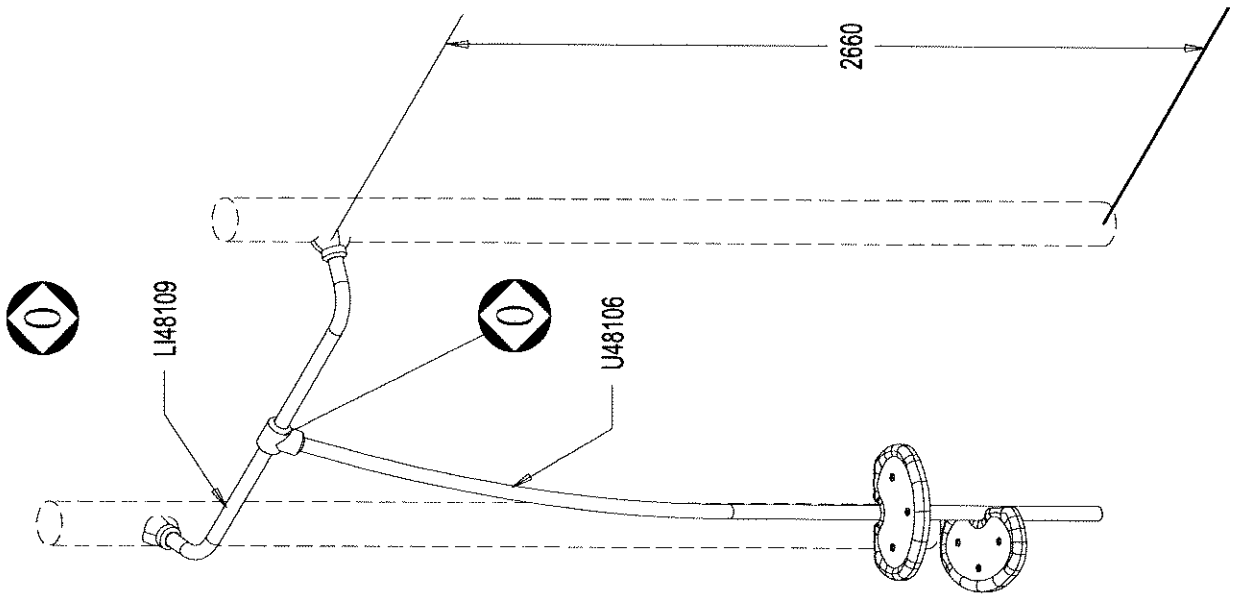
	P180	1
	M10310N	10
	M10440N	10
	VEFM10	10
	VCBHC M10x30I	10
	VGC8*55I	2
	MI3701N	2
	M8440N	12
	VTH6*30A	28
	M8310N	12



MI2502N x2



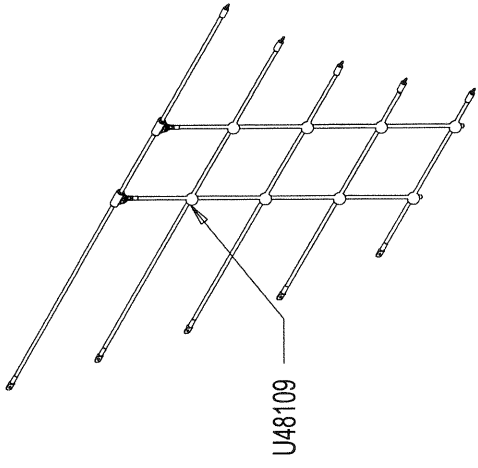
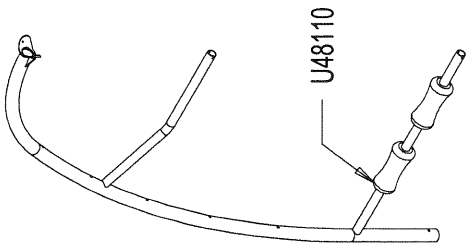
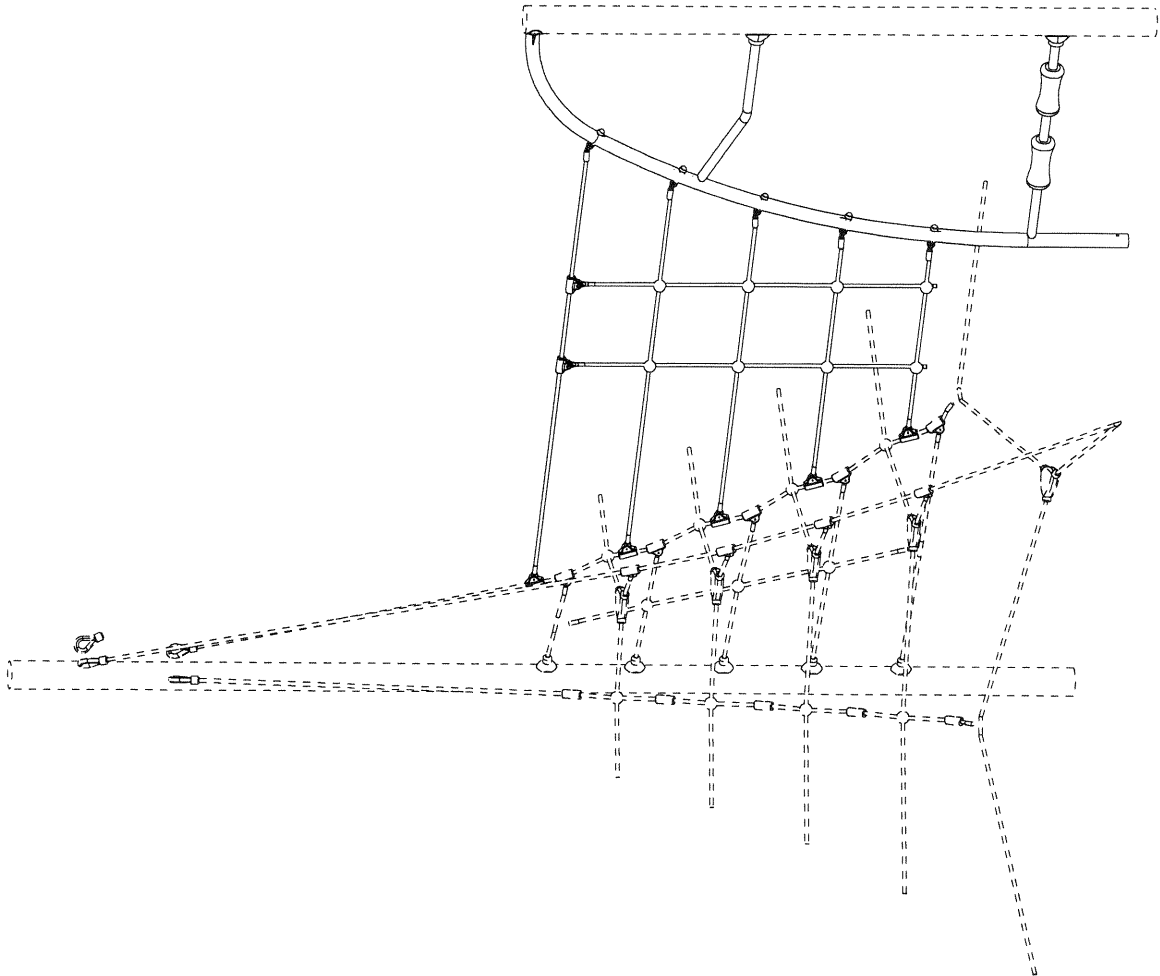
	VEFM10	2
	M10310N	2
	M10440N	2
	VCBHCM8*30I	2
	VCZX 6x25	4
	VEBM6	4
	VGC8*55I	5
	VTH6x30A	16
	MI3701N	4



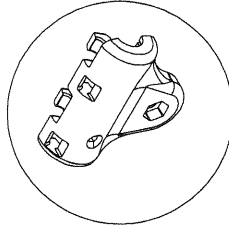
	VGC8*55I	3
	VTH6x30A	8
	MI370IN	2
	VCZX 6x25	4
	VEBM6	4

MI2502N x2

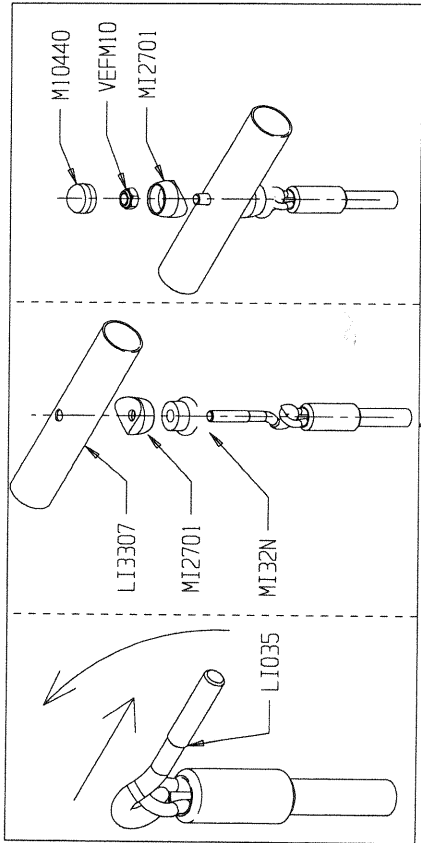




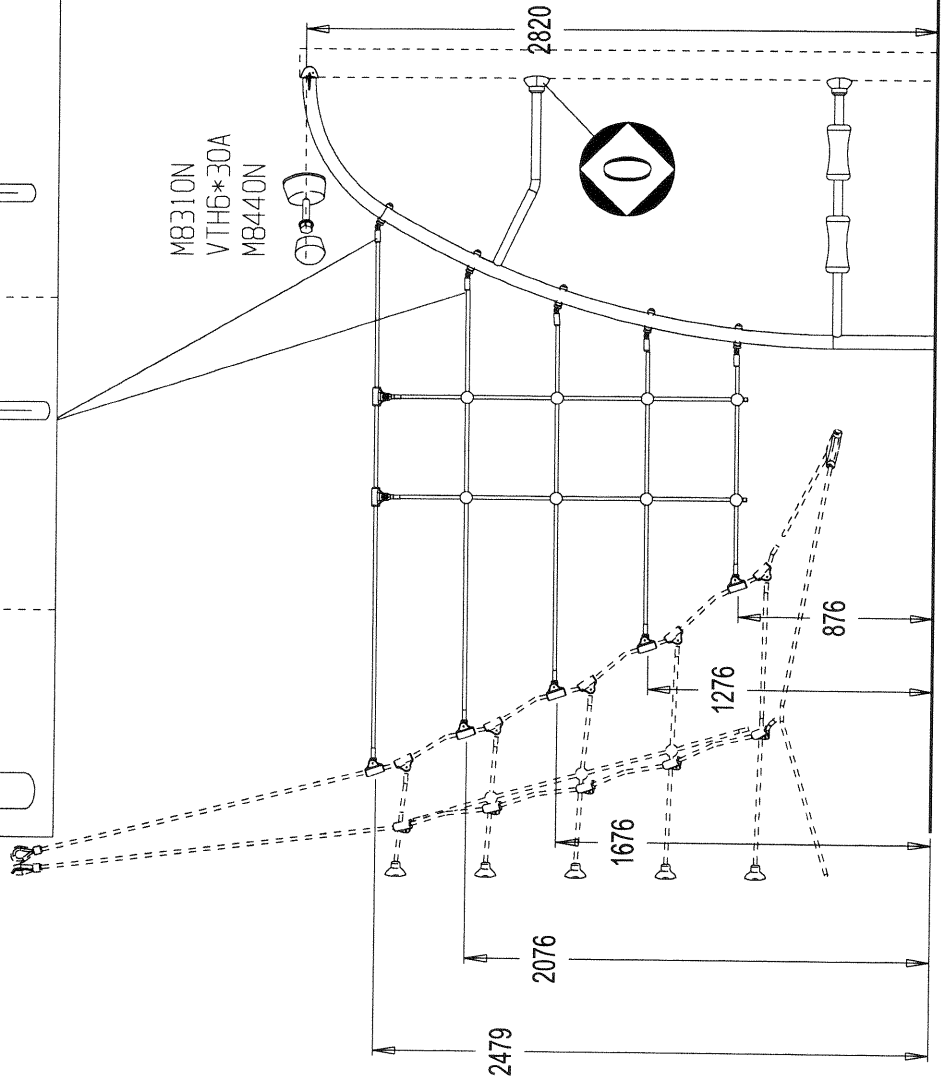
MI7N x10



	M8310N	2
	M8440N	2
	VTH6*30A	10
	VBTR8x25	5
	VEFM8	5
	VWT5*35	10
	VGC8*55I	2
	MI3701N	2
	LI035	5
	MI32N	5
	VEFM10	5
	MI2701	10
	M10440	5

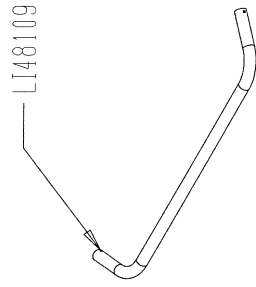
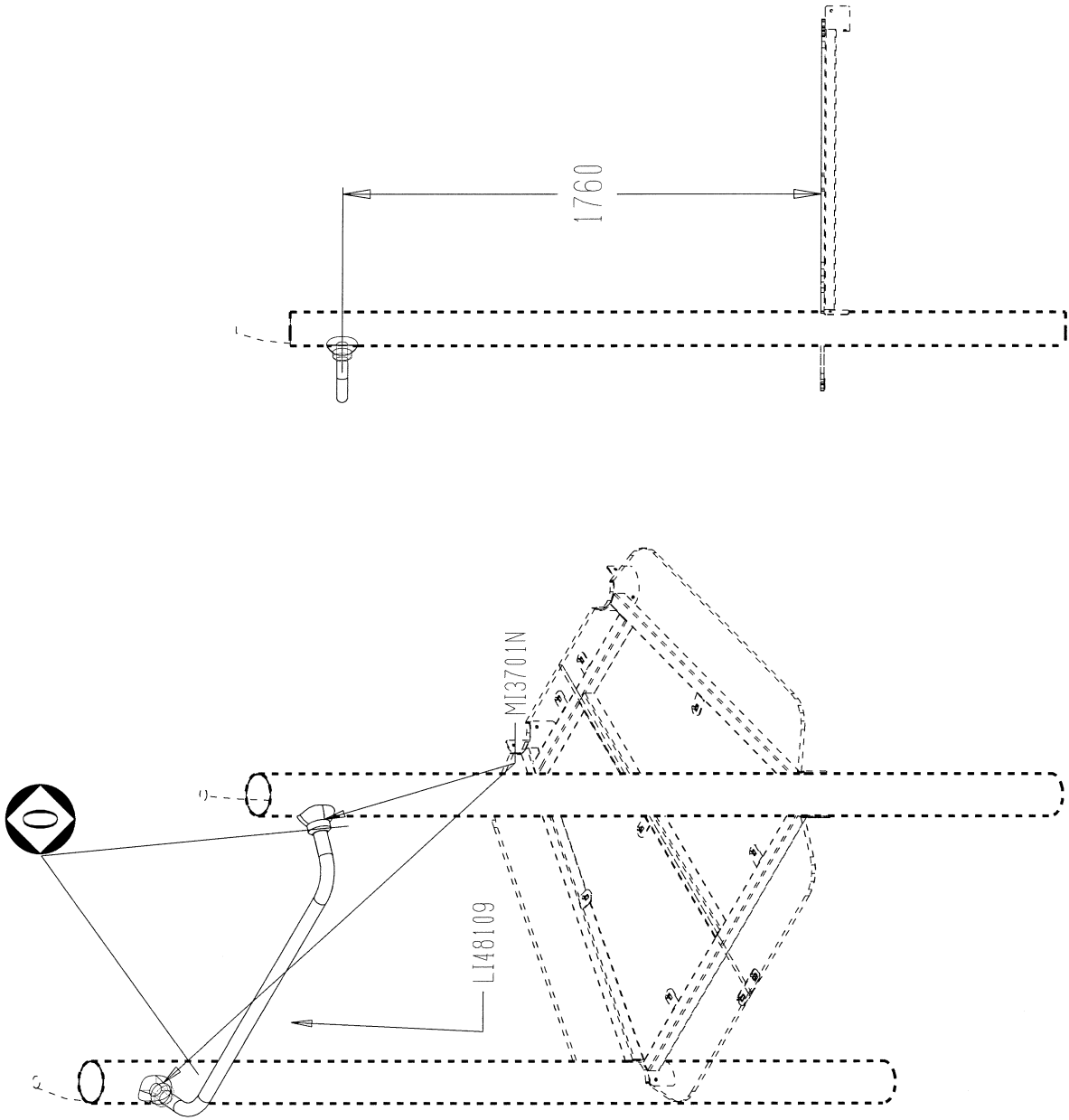




M8310N
VTH6*30A
M8440N

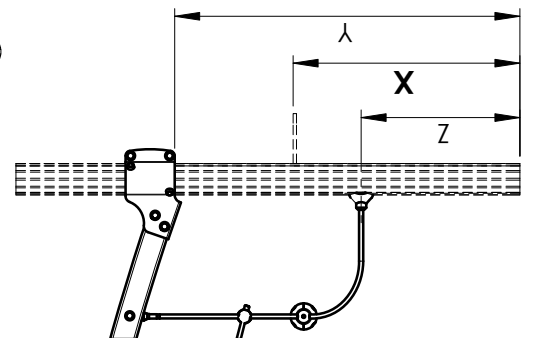
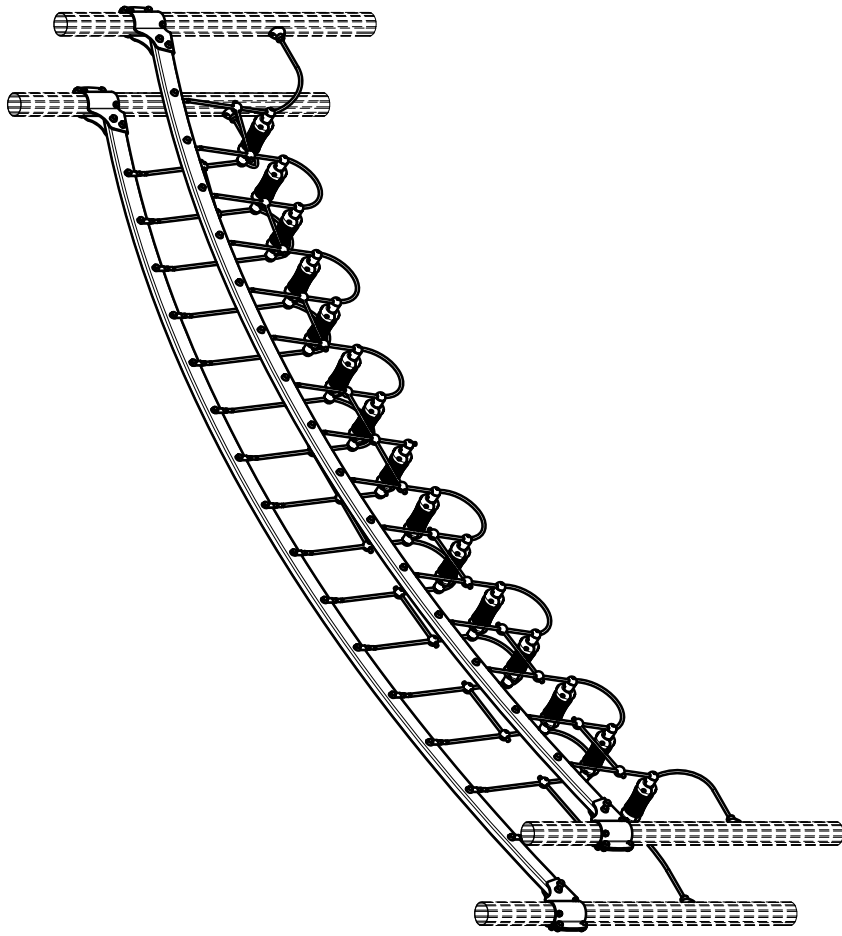


U48109

U48110

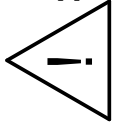


	VGC8*55I	2
	VTH 6x30A	8
	MI3701N	2

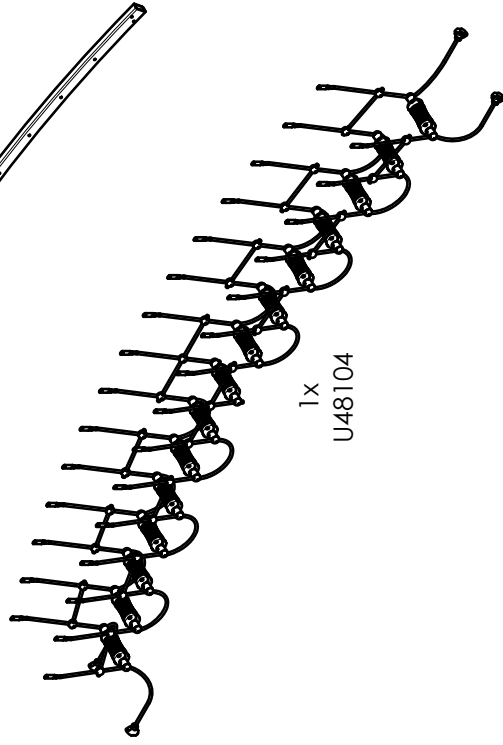


X	Y	Z
900 mm	1370 mm	630 mm
1370 mm	1840 mm	1100 mm

2x
LG4800



± 60 Kgs



1x
U48104

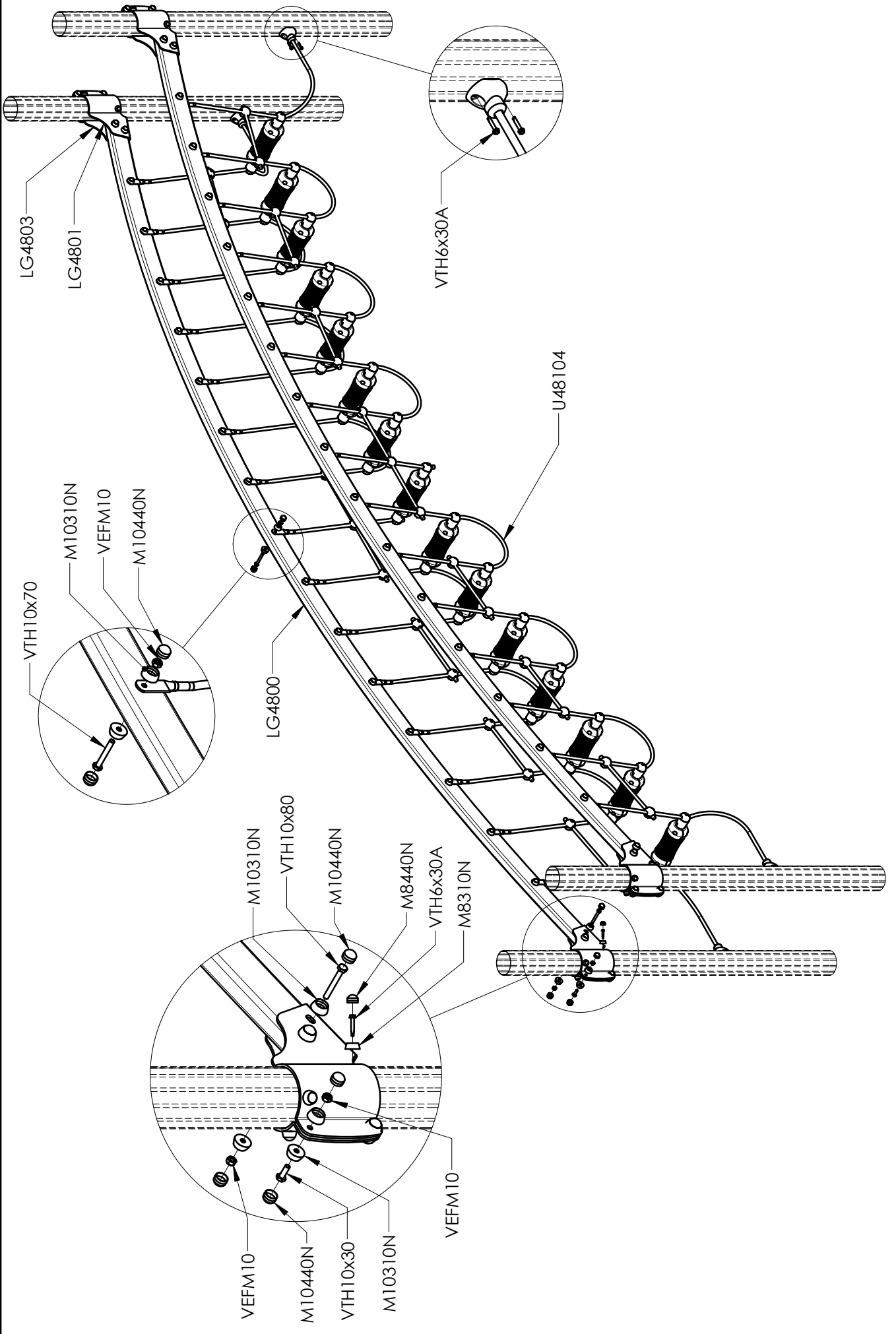


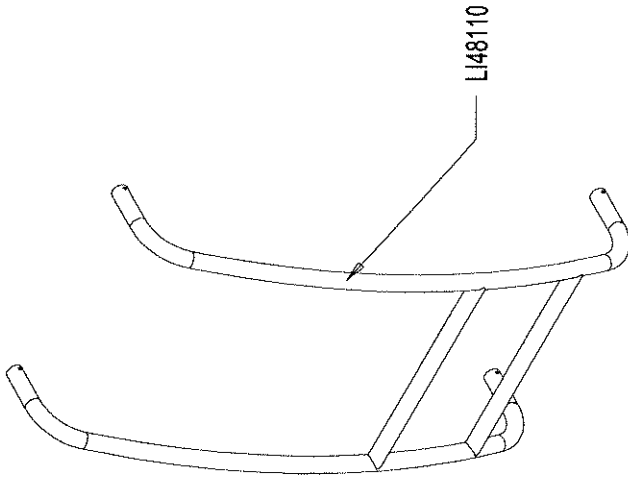
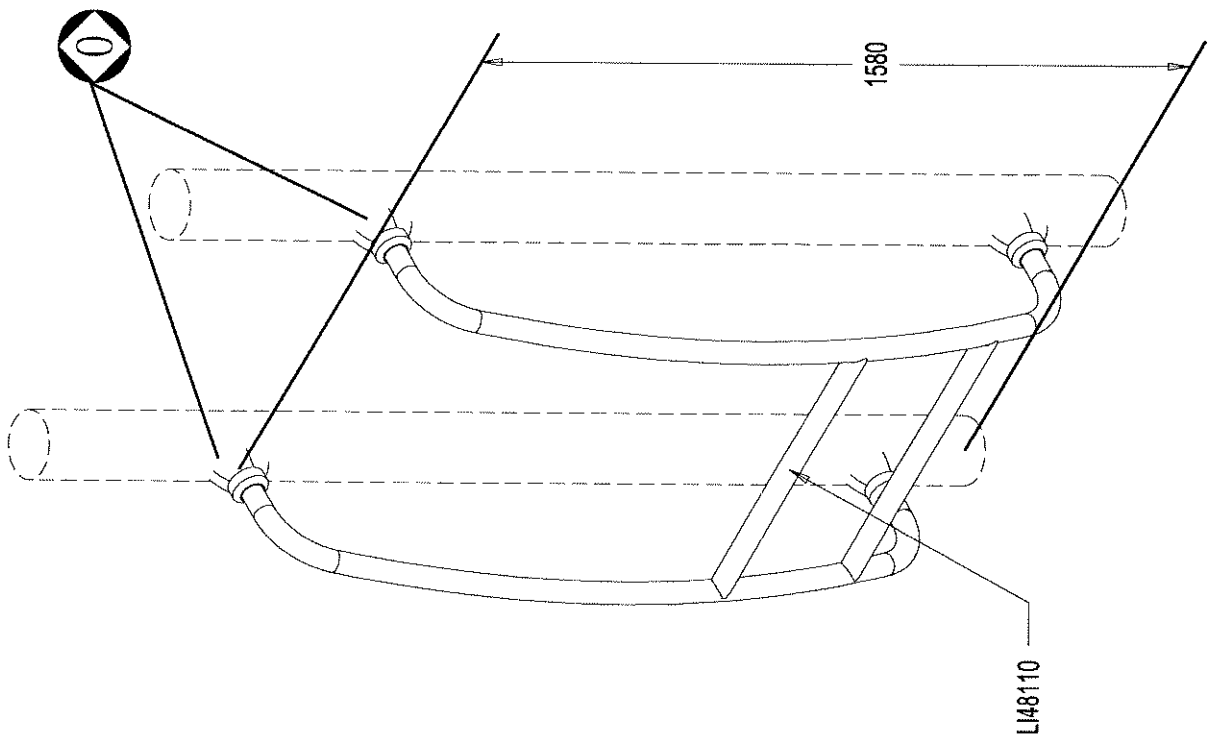
4x
LG4801






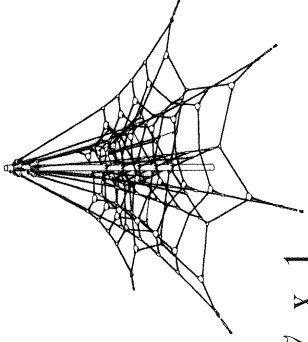
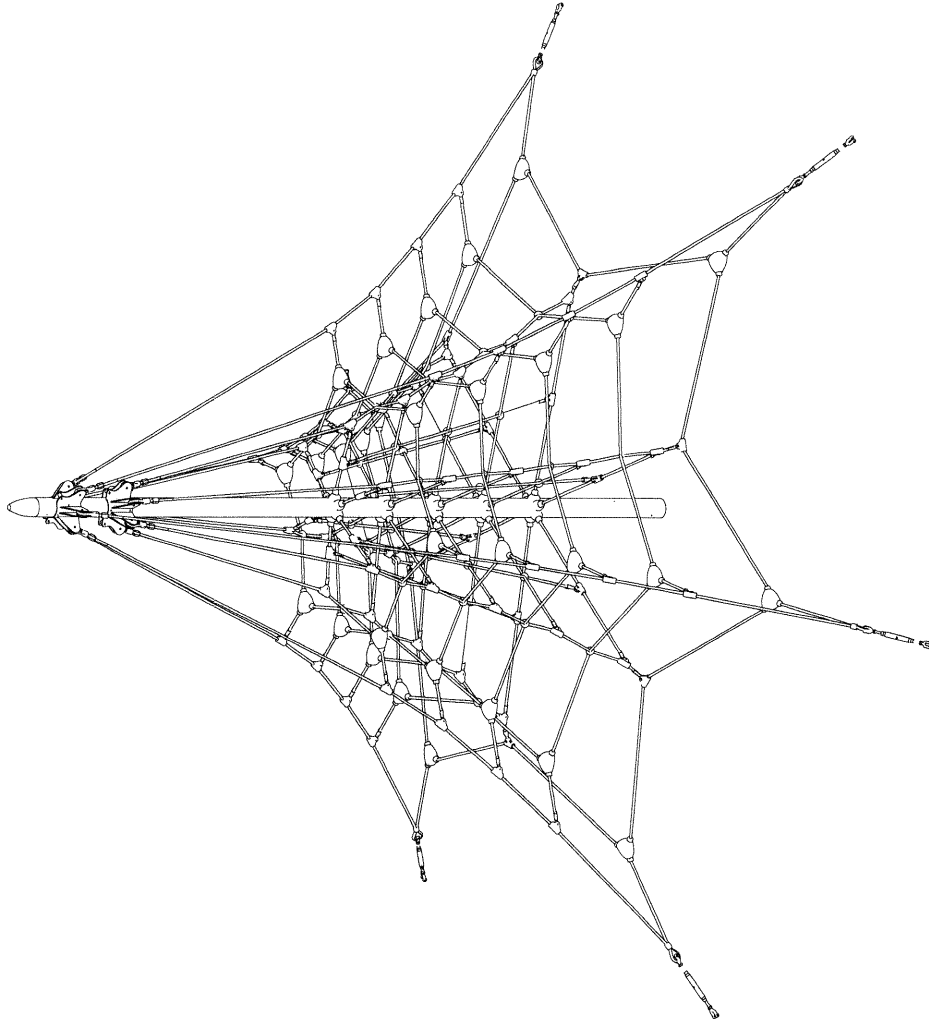
4x
LG4803

LG4800	2
LG4801	4
LG4803	4
M8310N	16
M8440N	16
M10310N	92
M10440N	92
U48104	1
VEFM10	46
VTH6x30A	24
VTH10x30	8
VTH10x70	30
VTH10x80	8

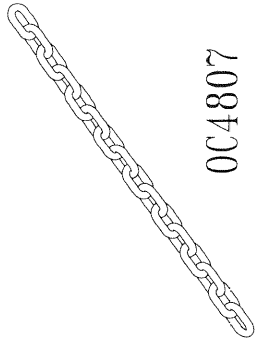




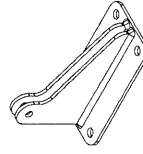
	VGC8*55I	4
	VTH 6x30A	16
	MI370IN	4



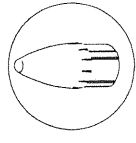
U4807 x 1
150kg



OC4807



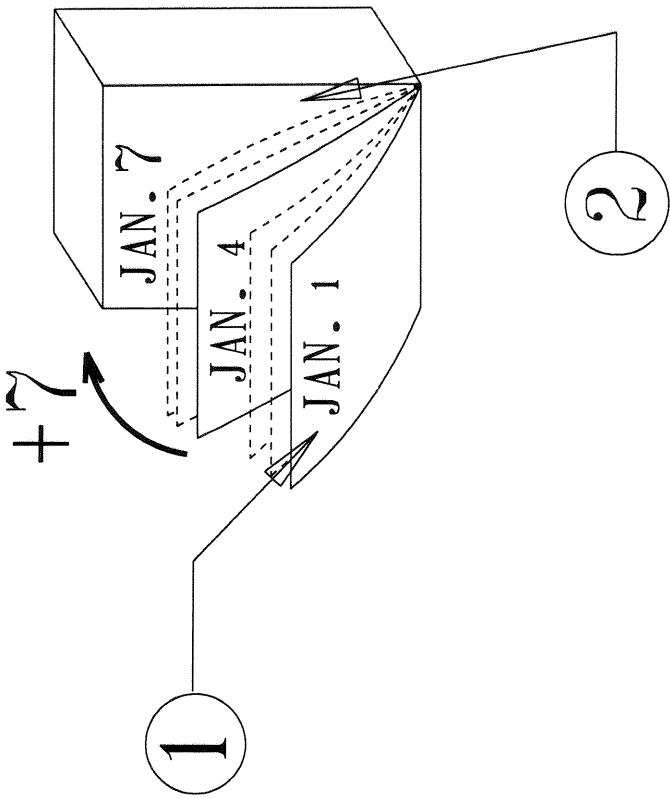
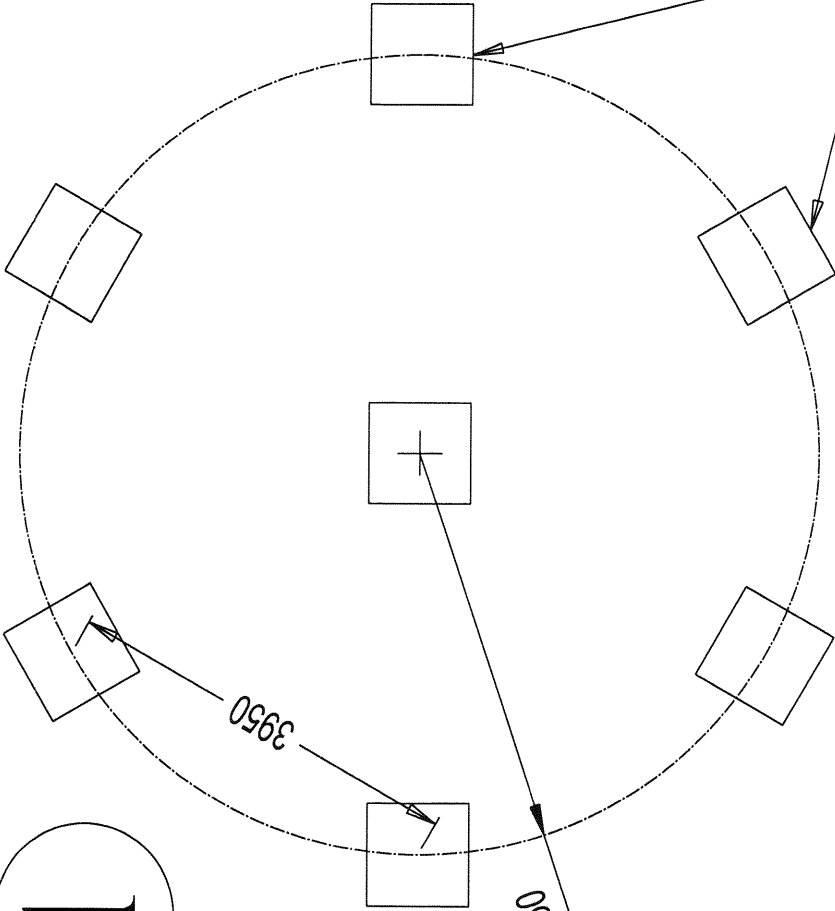
LG4804 x6



M4500 x1

	RB14M10	28
	VEBM12	6
	VEFM12	6
	VEFM10	6
	VTH10x40	6
	VTH12x50	6
	VTH6x30A	4
	M10440N	16
	M10310N	4
	M12310N	12

1



7x (1000x1000x500)

