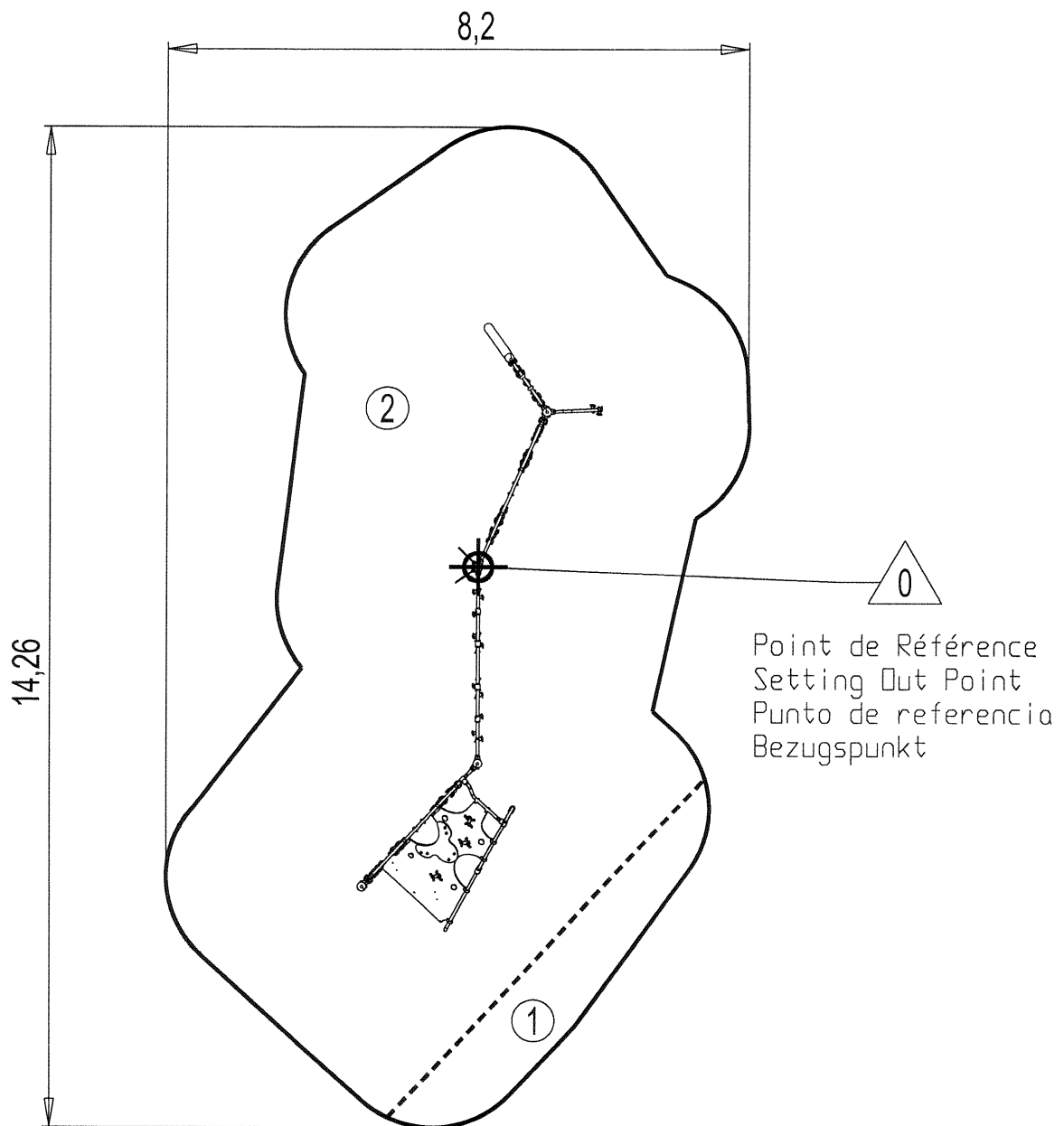


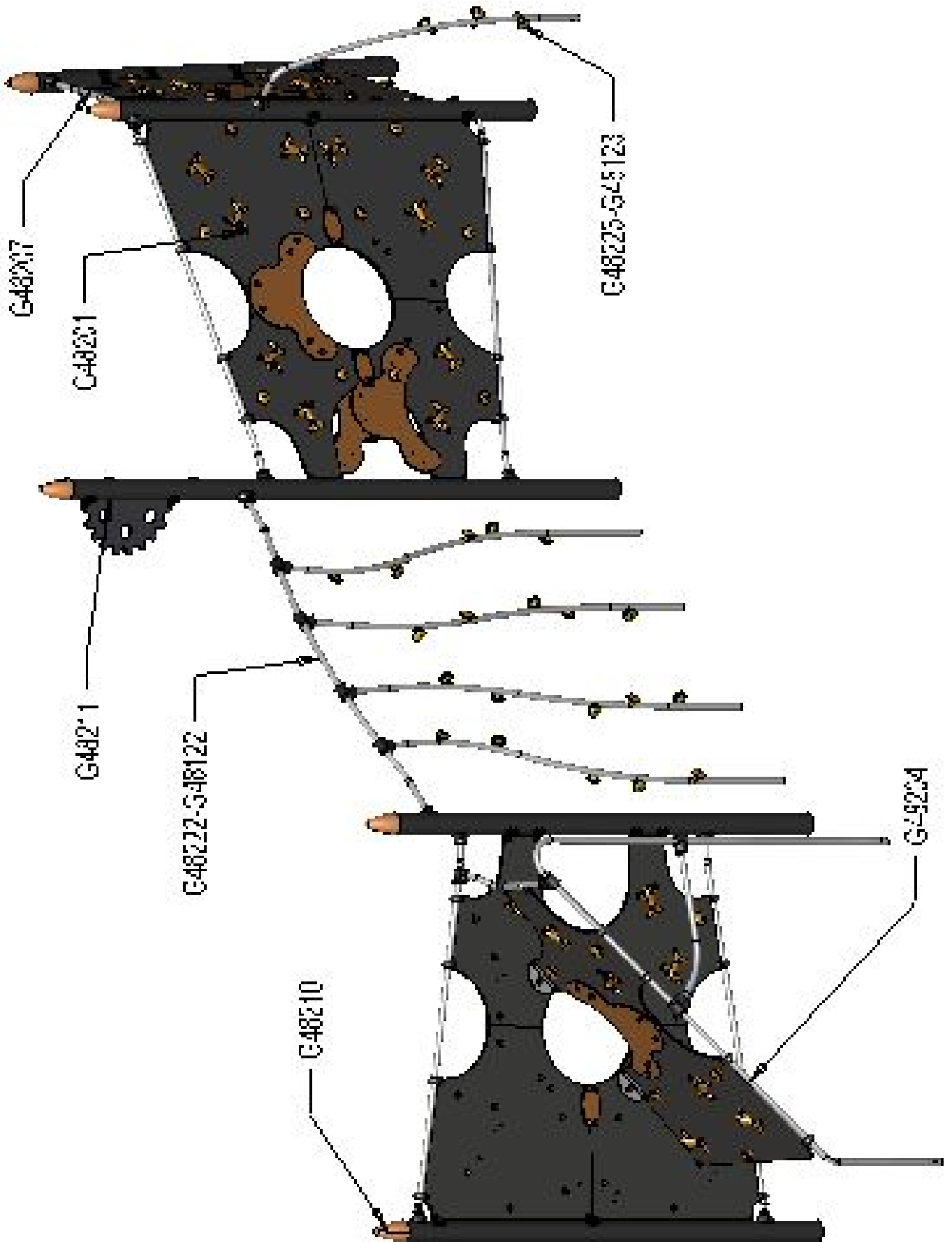
N°		
①	2.6 m	5.5 m ²
②	2.9 m	71.5 m ²

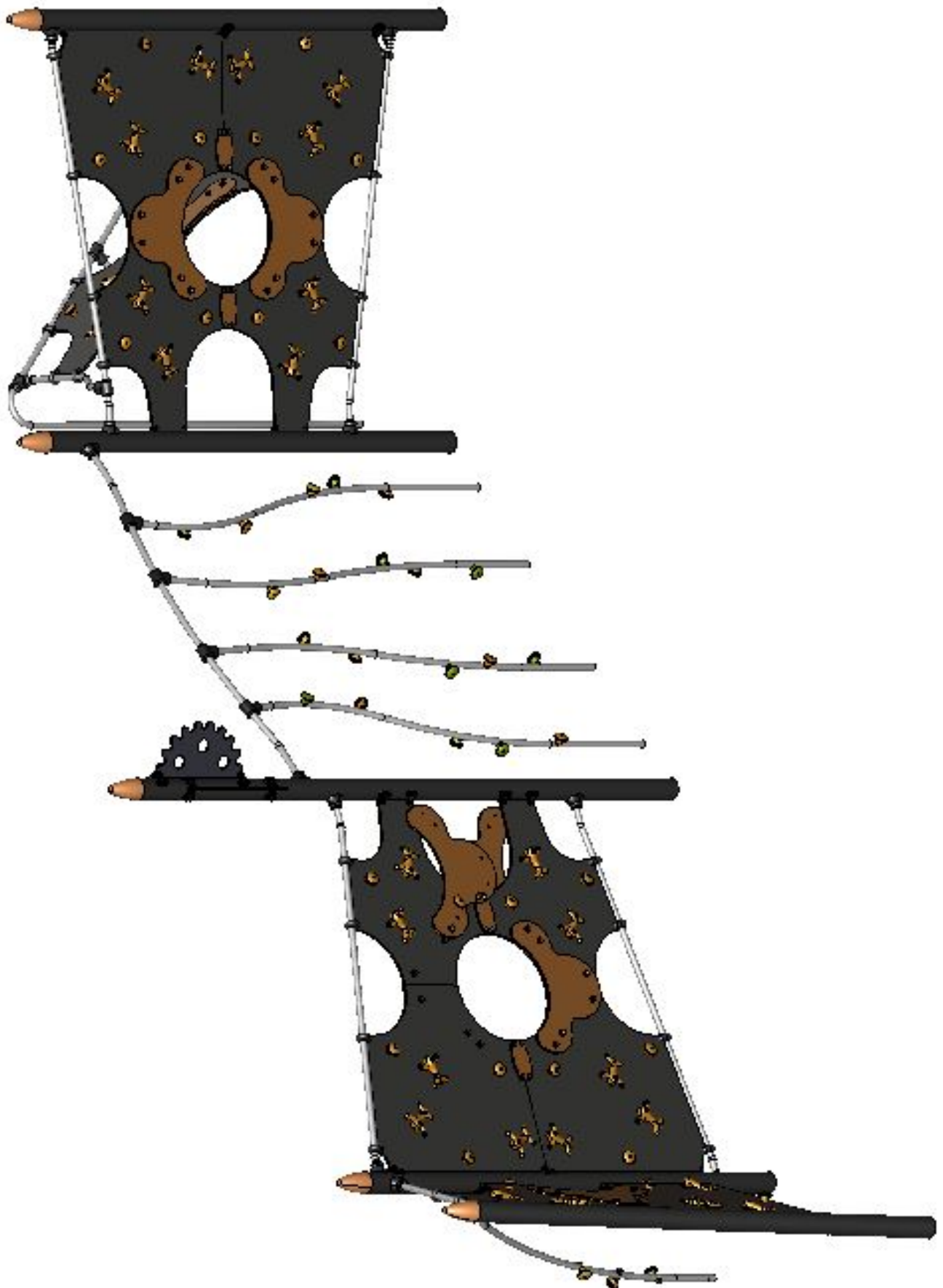
— Zone d'Impact
Impact Area
Area de Impacto
Fallraum

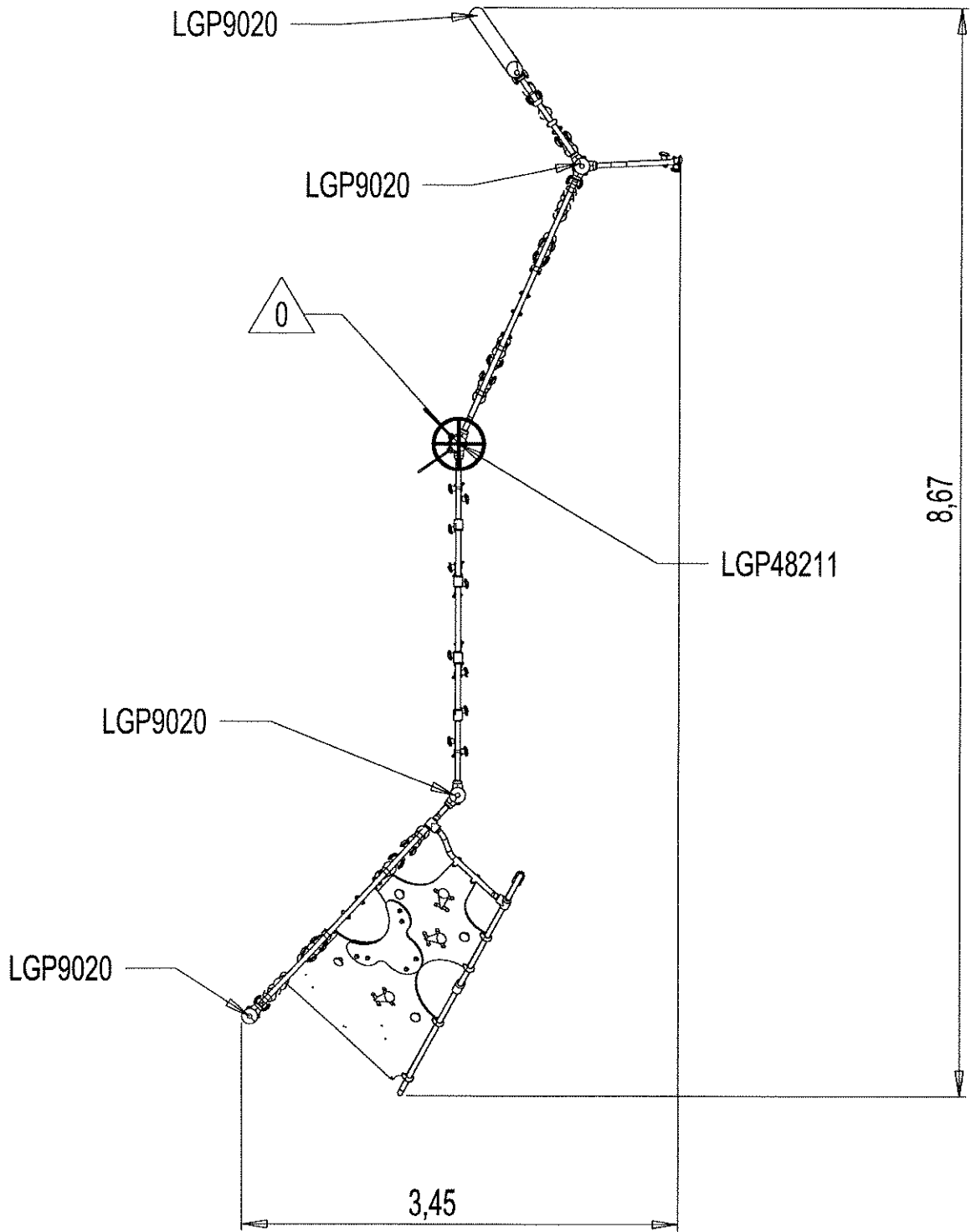
EN1176 - 1 : 2017

- - Espace libre
Free Space
Espacio Libre
Freiraum

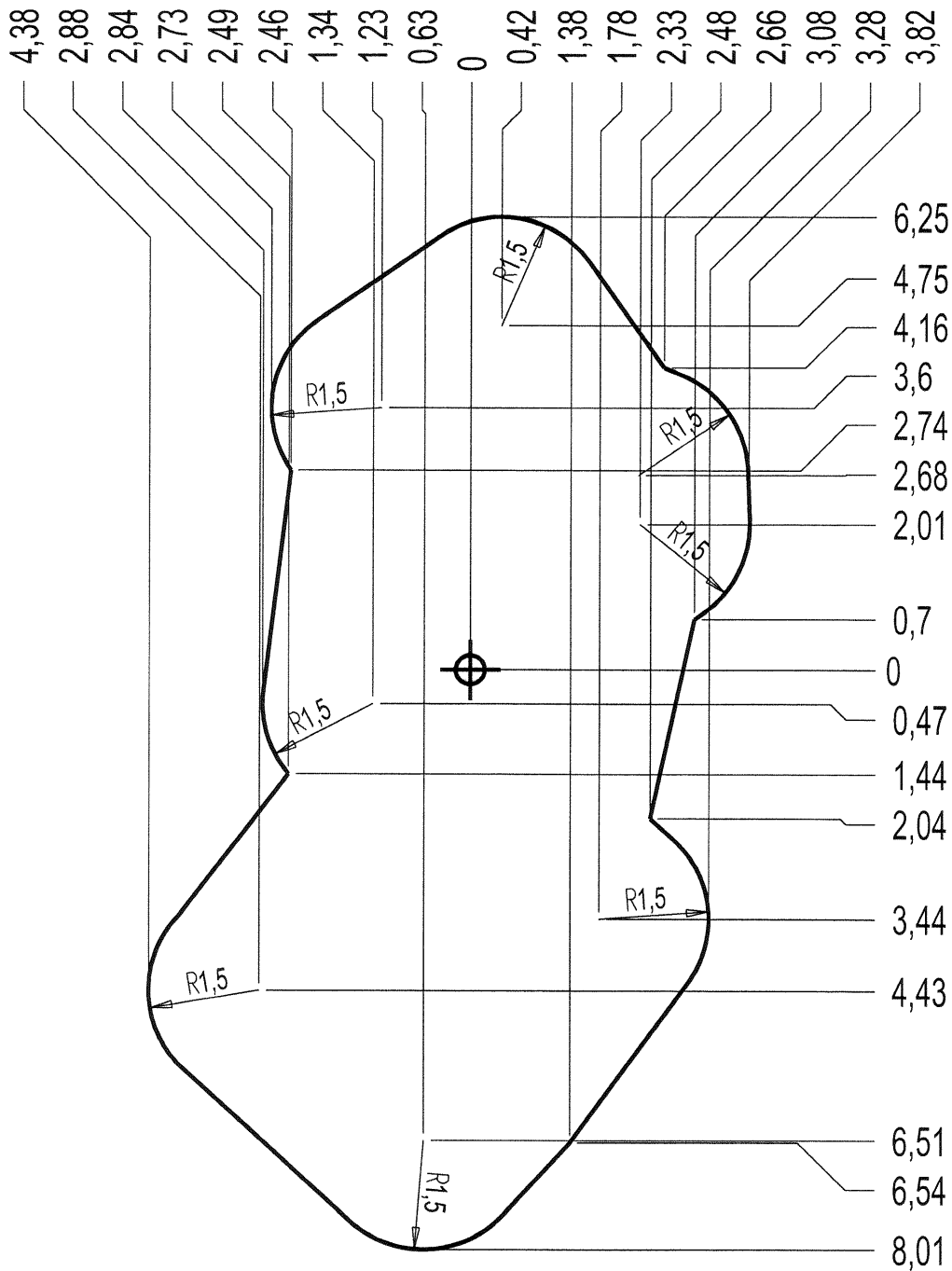




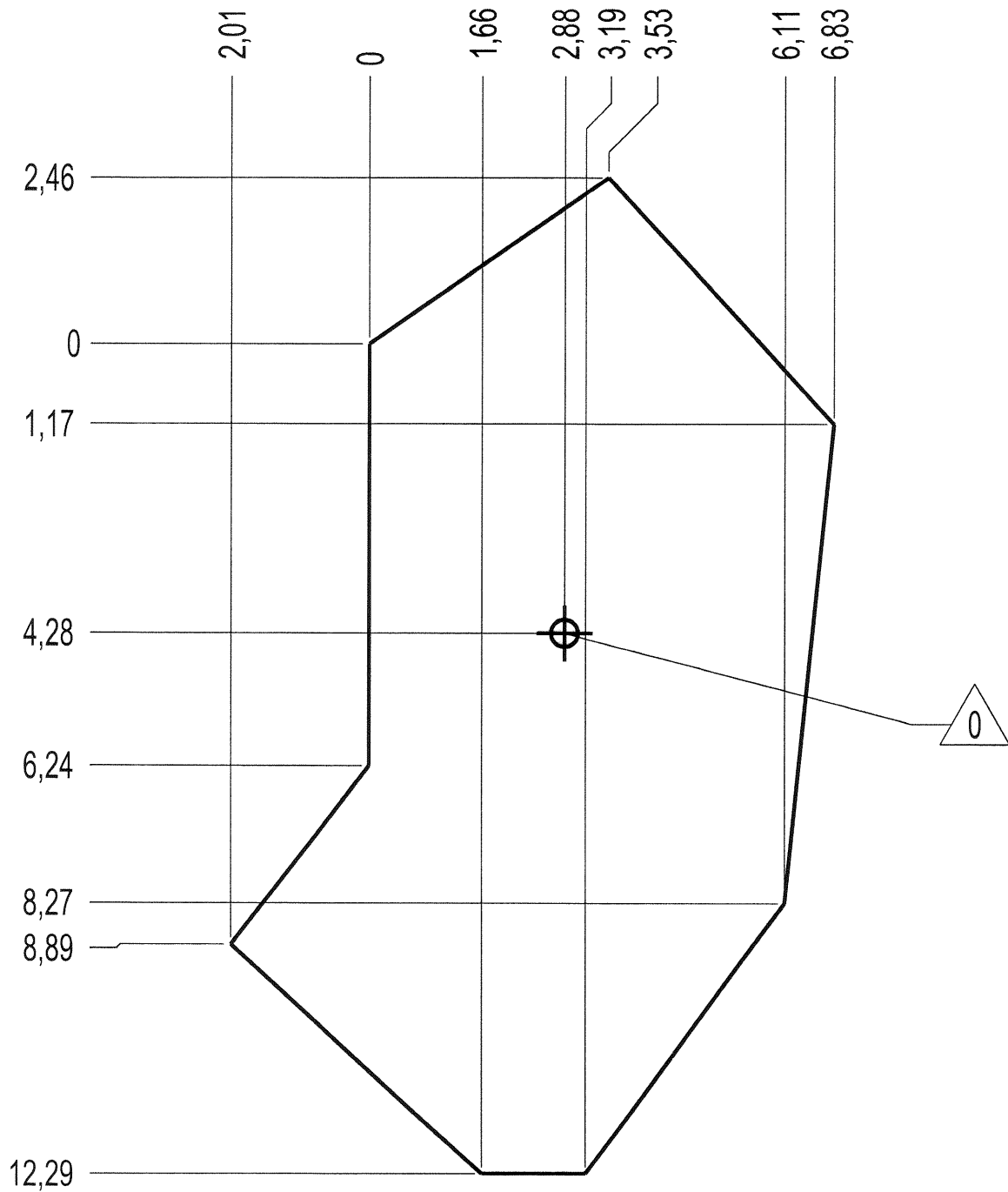




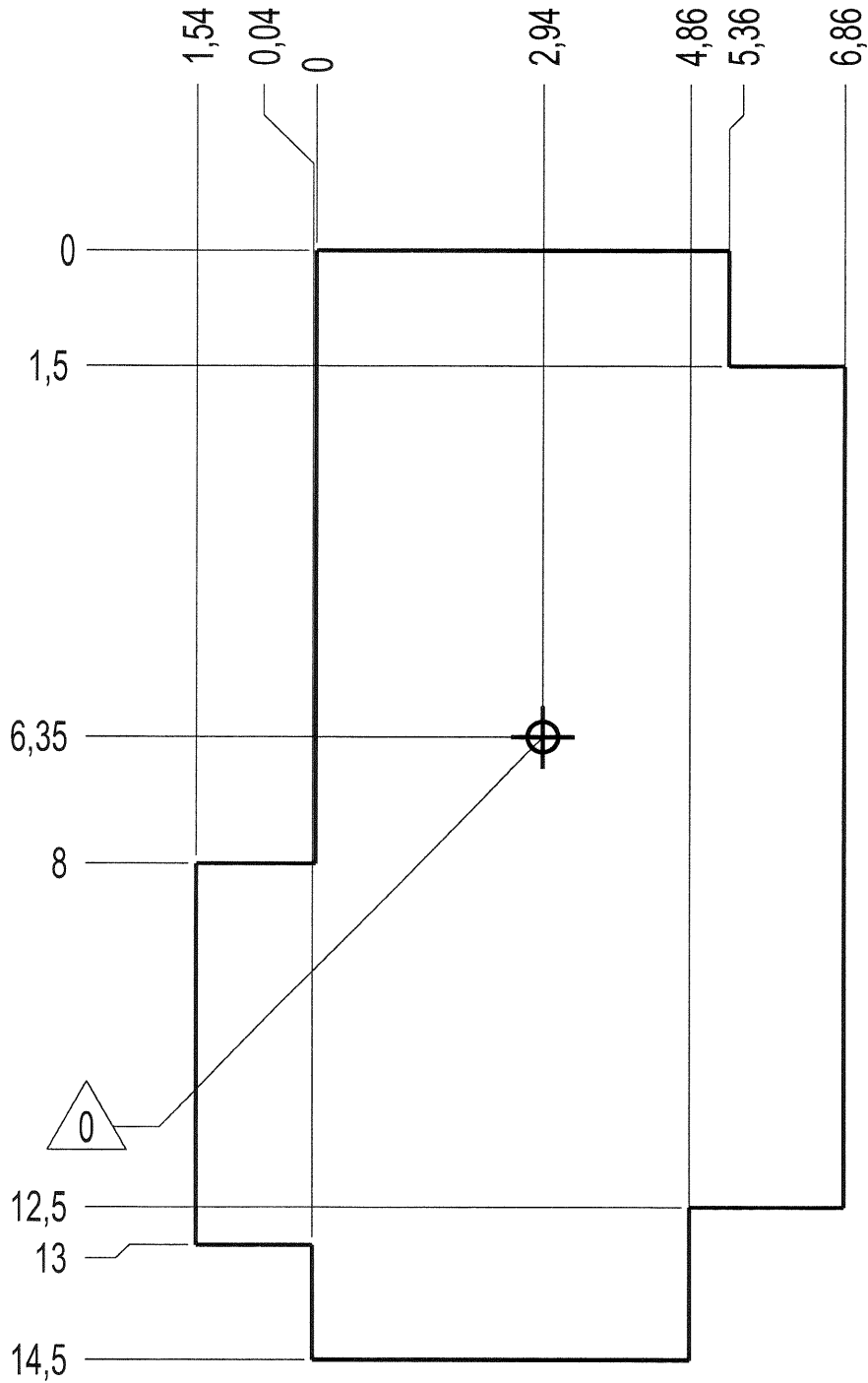
— Zone d'Impact **77 m²**
 Impact Area
 Area de Impacto
 Fallraum



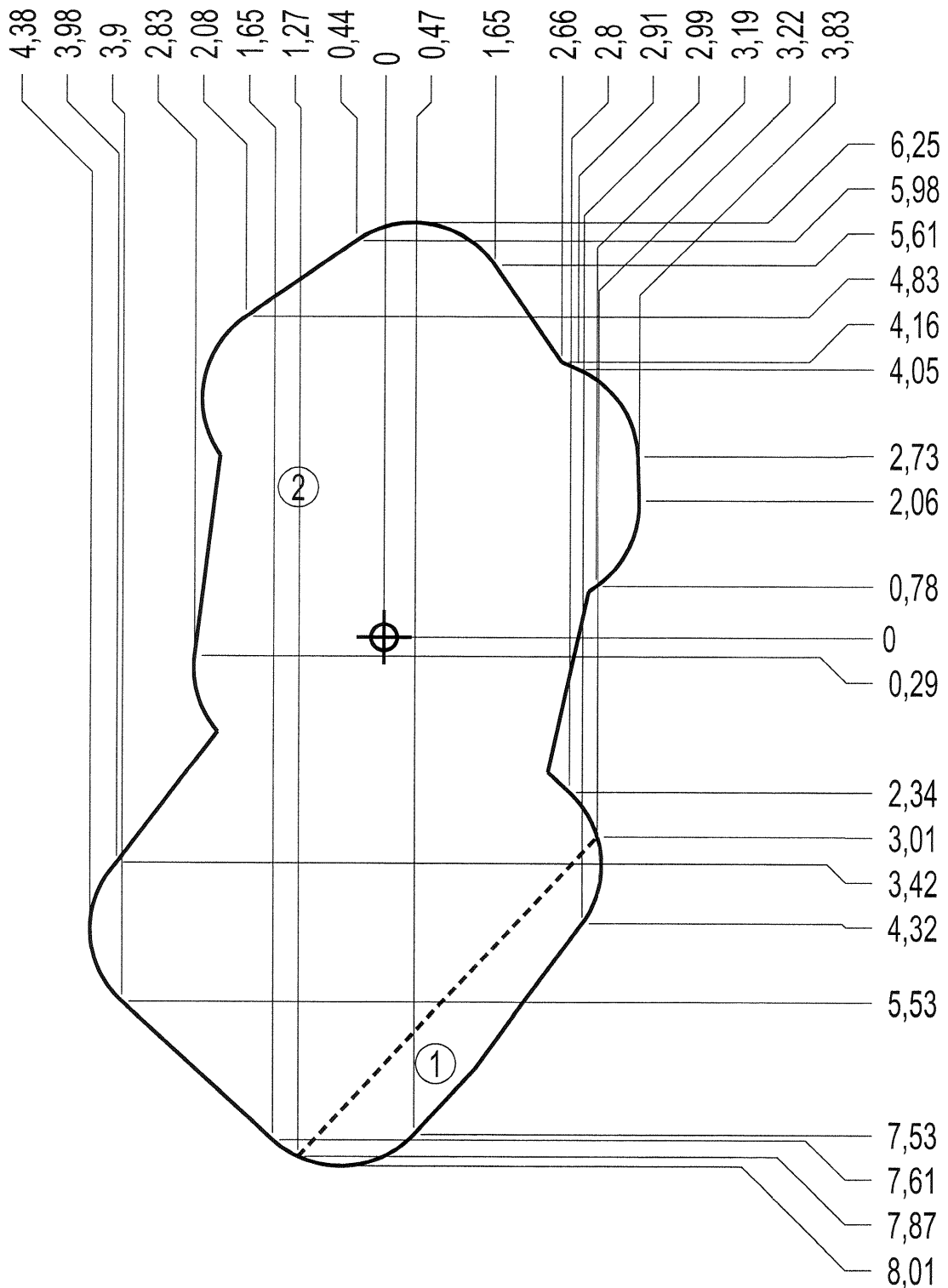
— Dalle béton 37.5 m
 Concrete pad 82.5 m²
 Solera de Hormigón
 Beton Bodenplatte

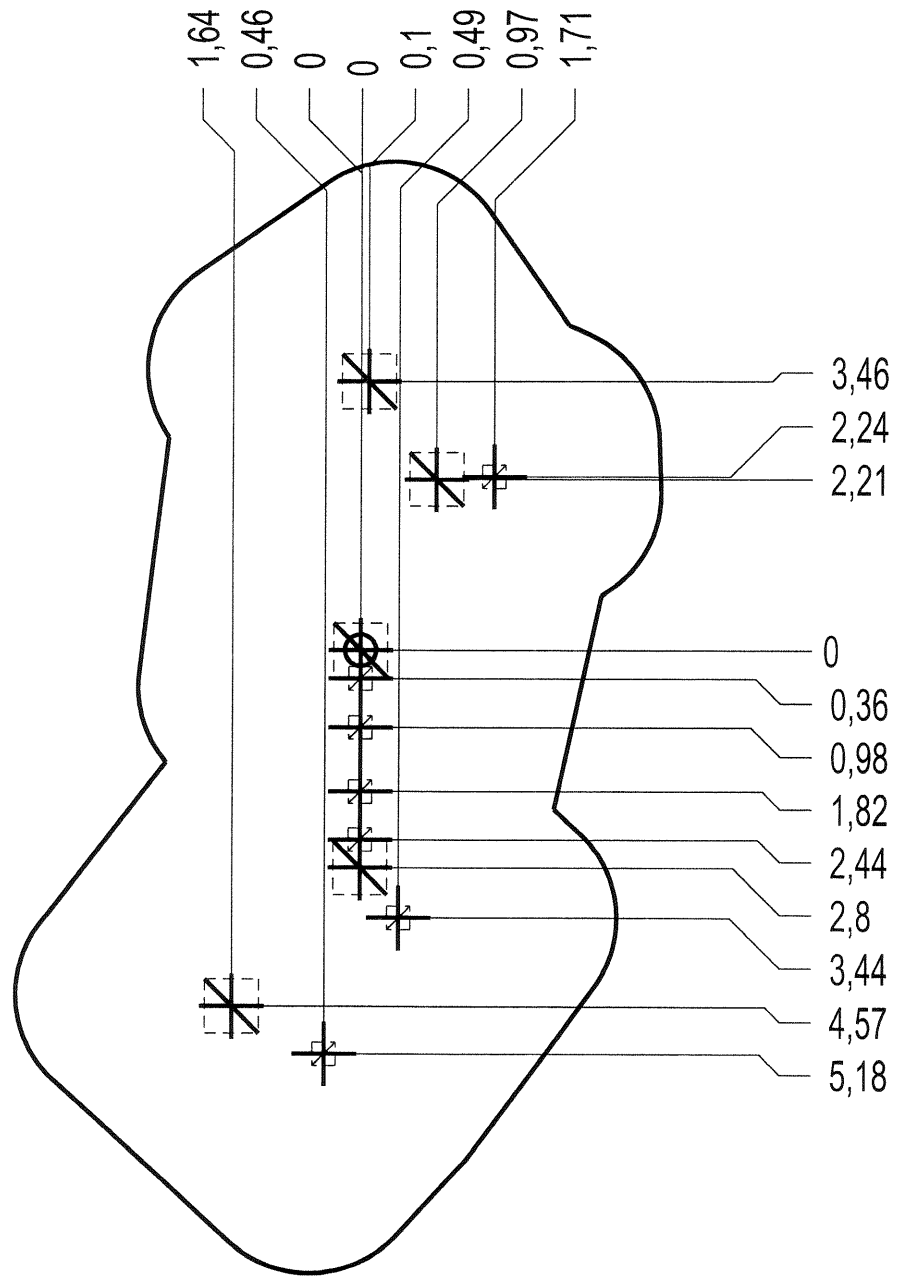


— Sol fluent 46 m
Loose particle material 101 m²
Arenero
Loses Bodenmaterial

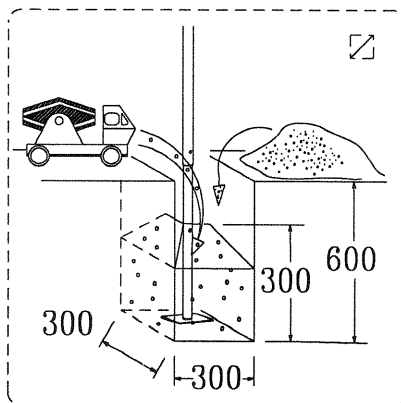
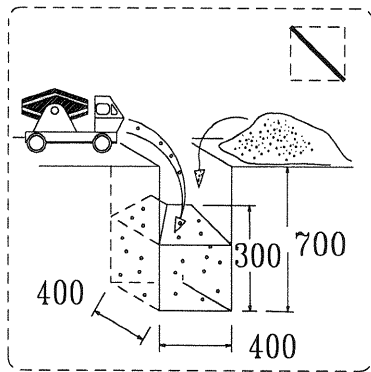





— Sol souple 77 m²
 Wetpour
 Caucho Continuo
 Synthetischer Fallschutz

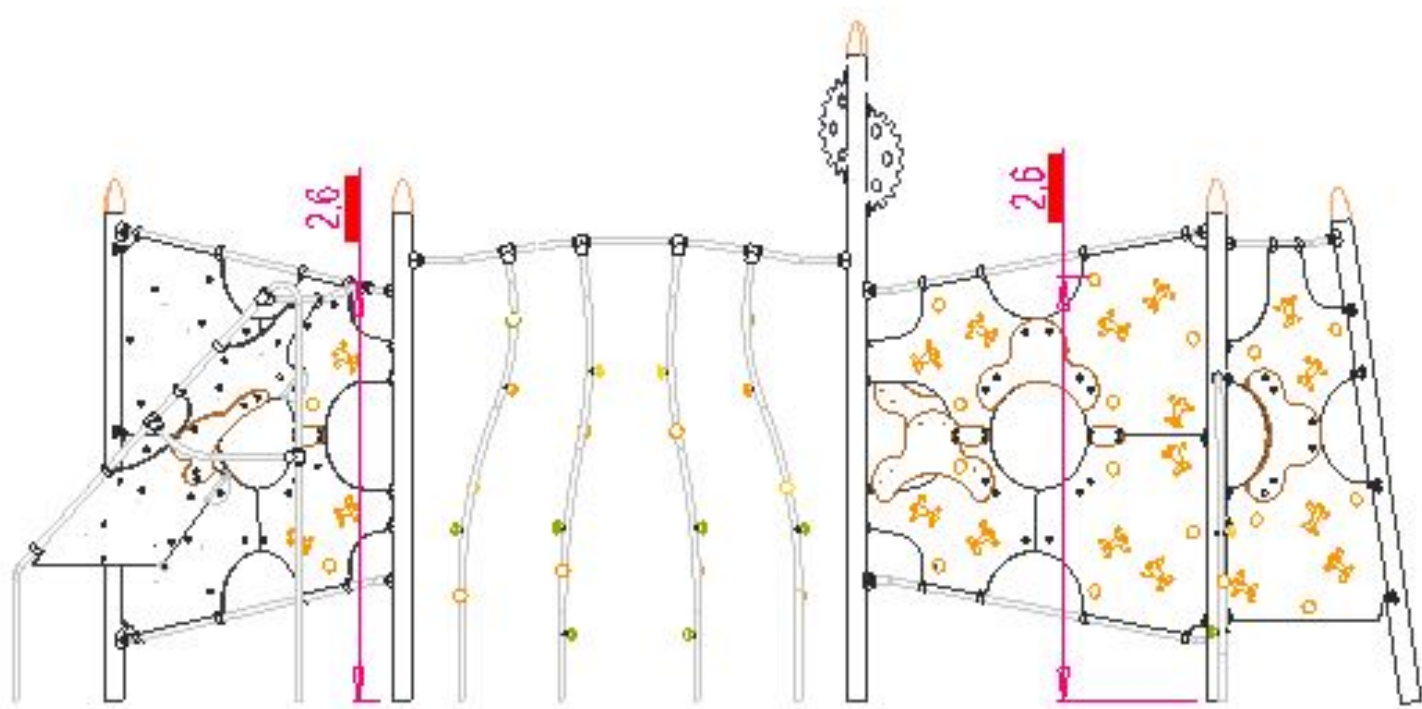




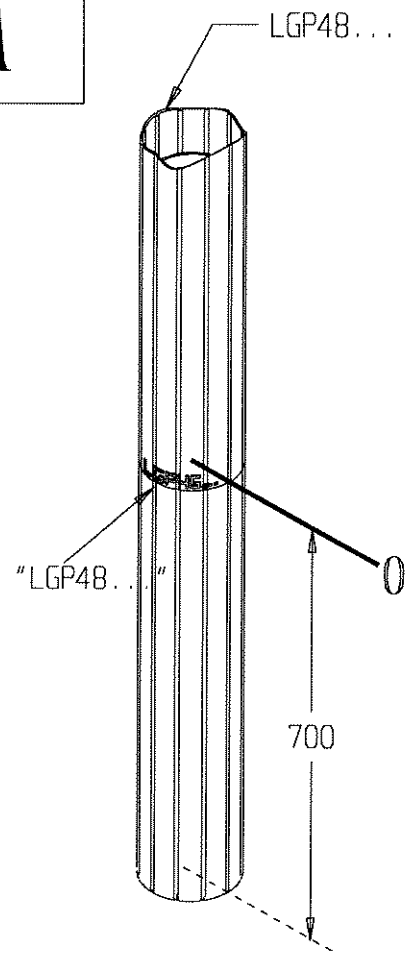
Implantation
 Footing plan
 Implantación
 Fundamentplan



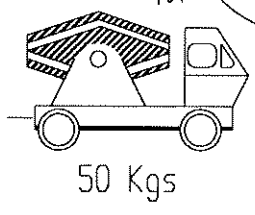
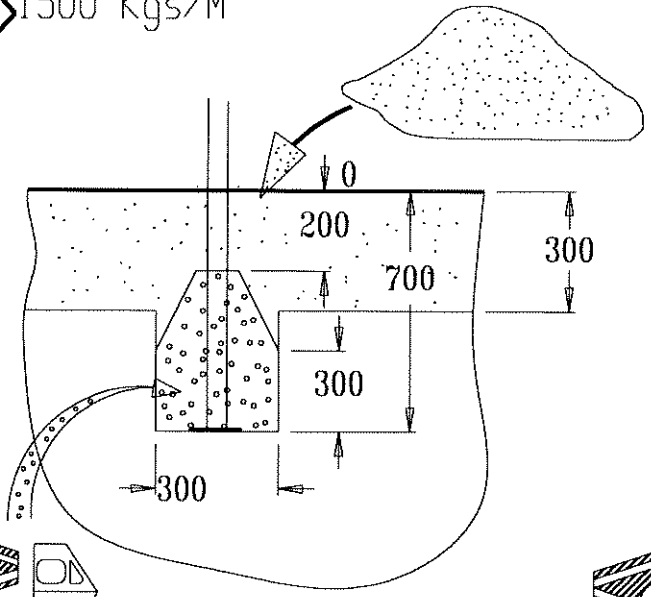
 x4	 8H	 0.5m ³
---	--	---



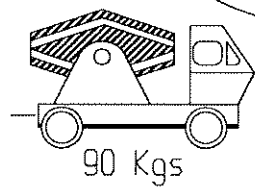
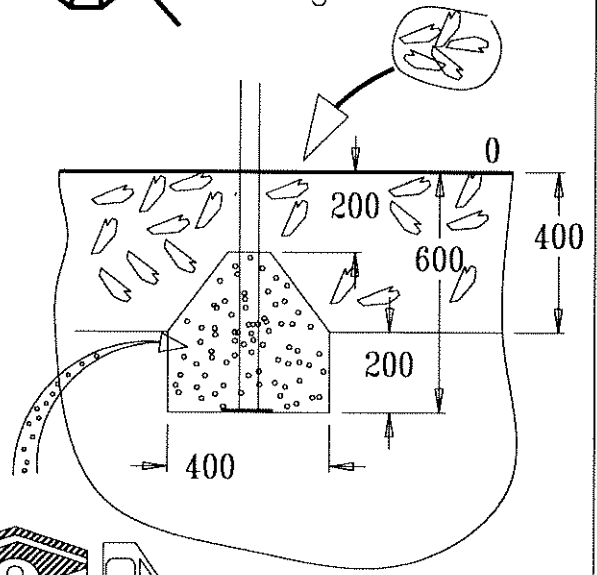
A



 > 1500 Kgs/M³

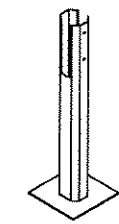


 < 1500 Kgs/M³



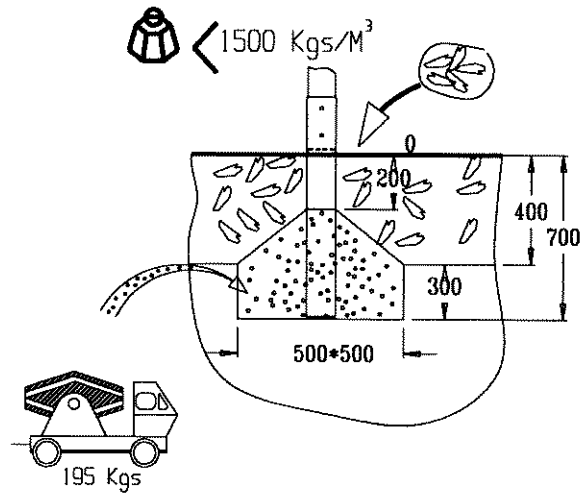
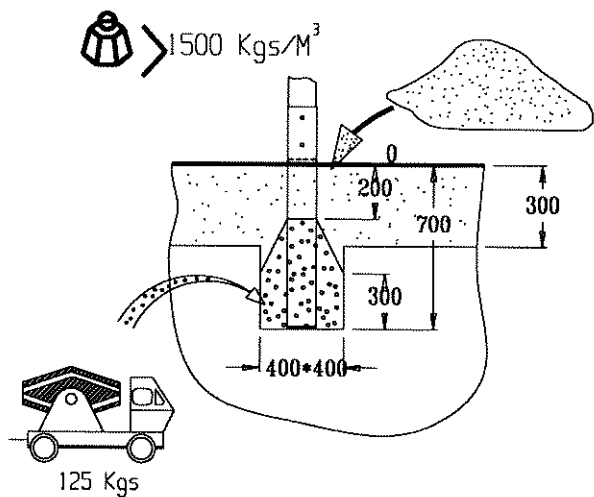
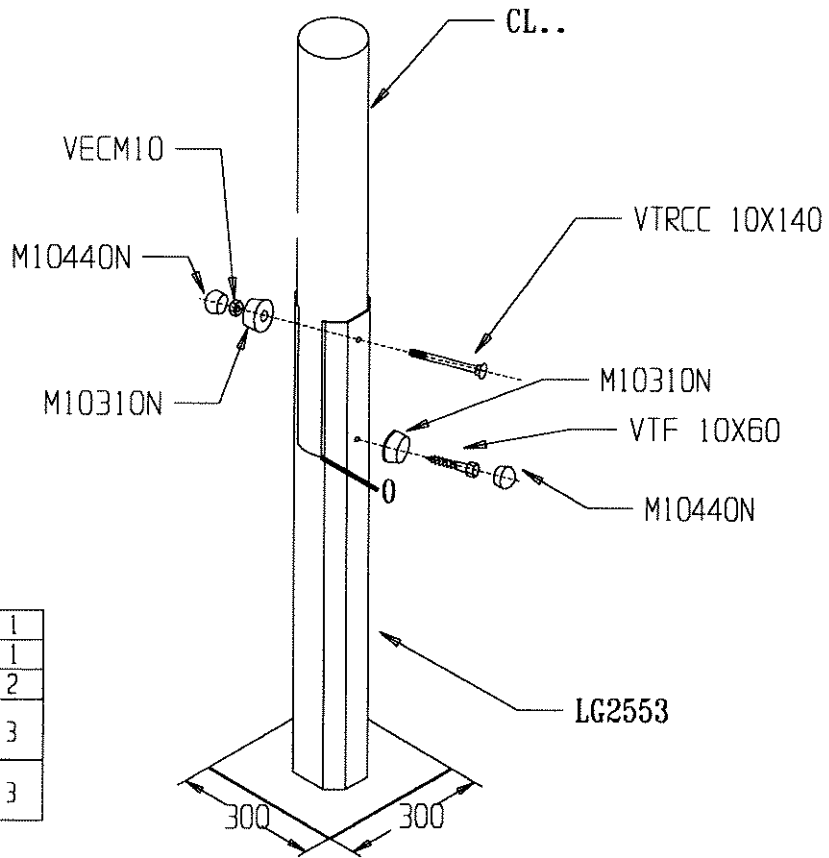
A

ProLudic

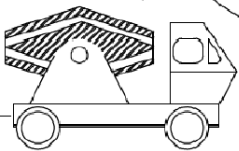
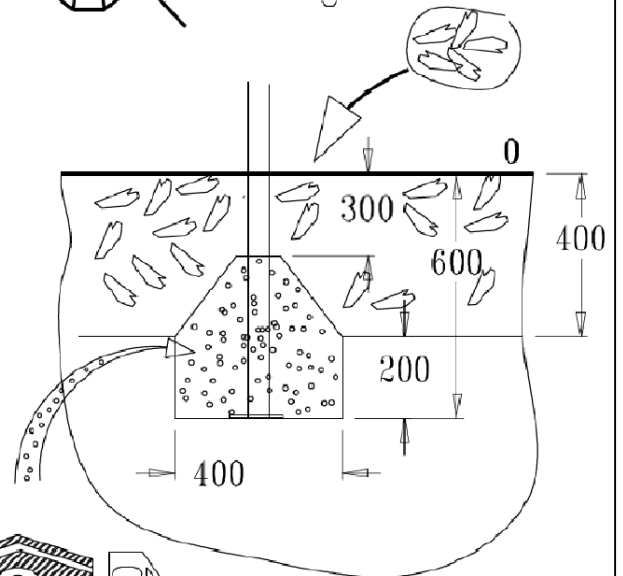
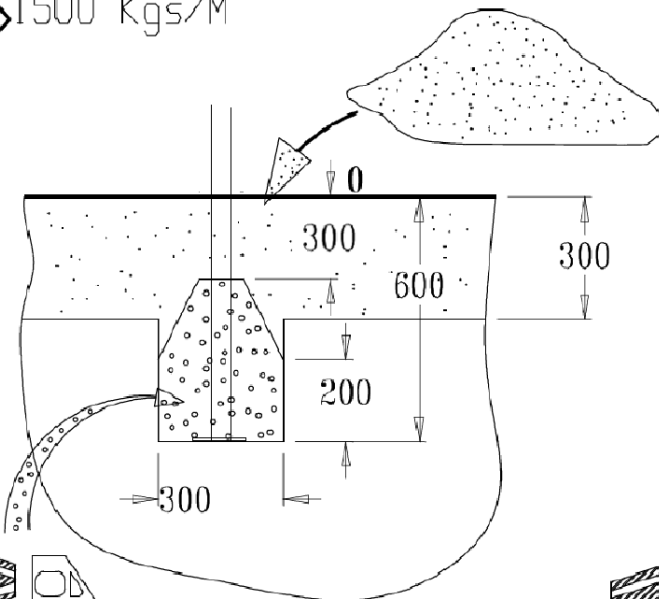
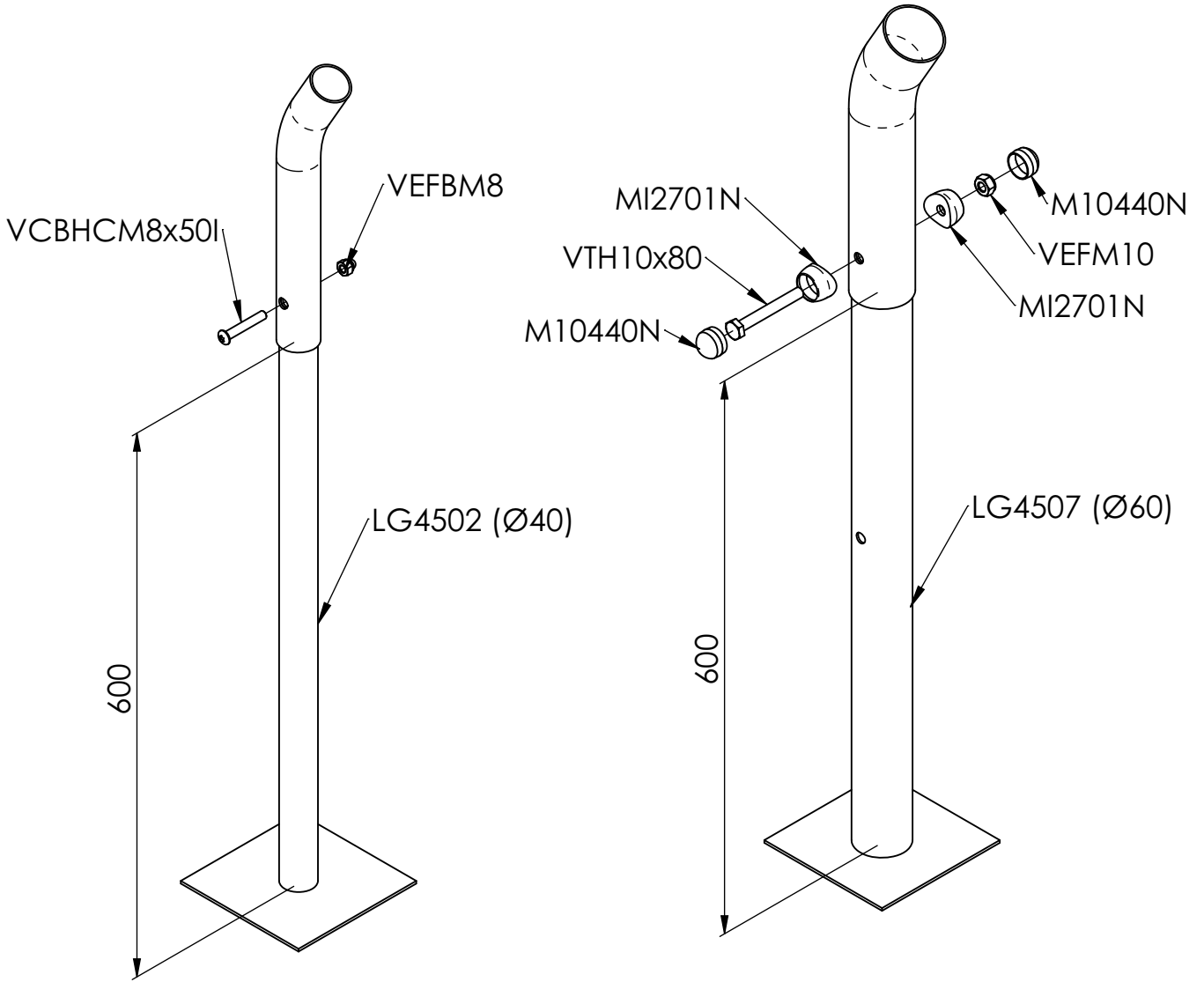


LG2553

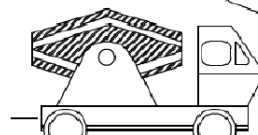
	VTRCC 10x140	1
	VECM10	1
	VTF 10x60	2
	M10310N	3
	M10440N	3



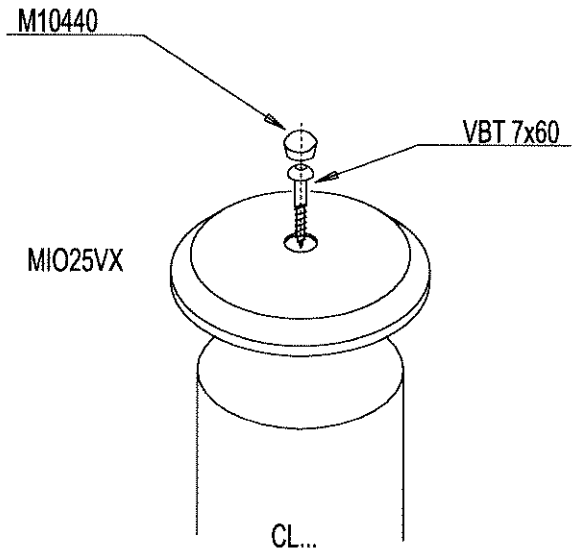
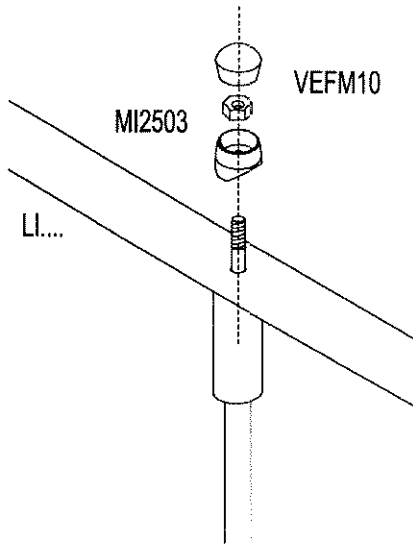
04-05-10



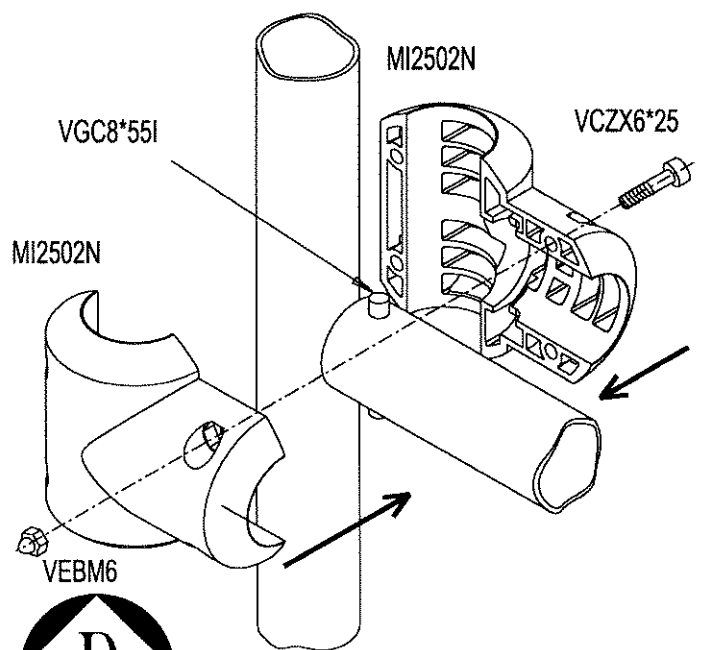
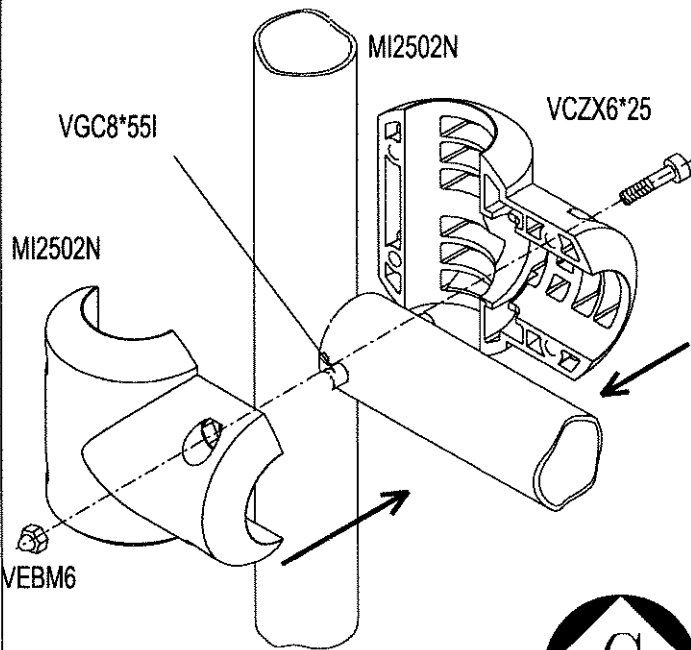
50 Kgs



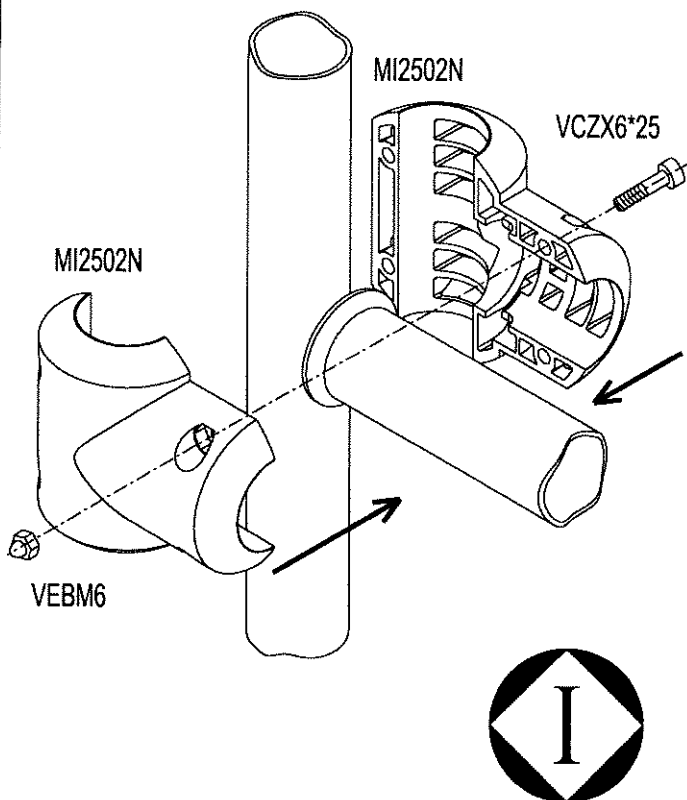
90 Kgs



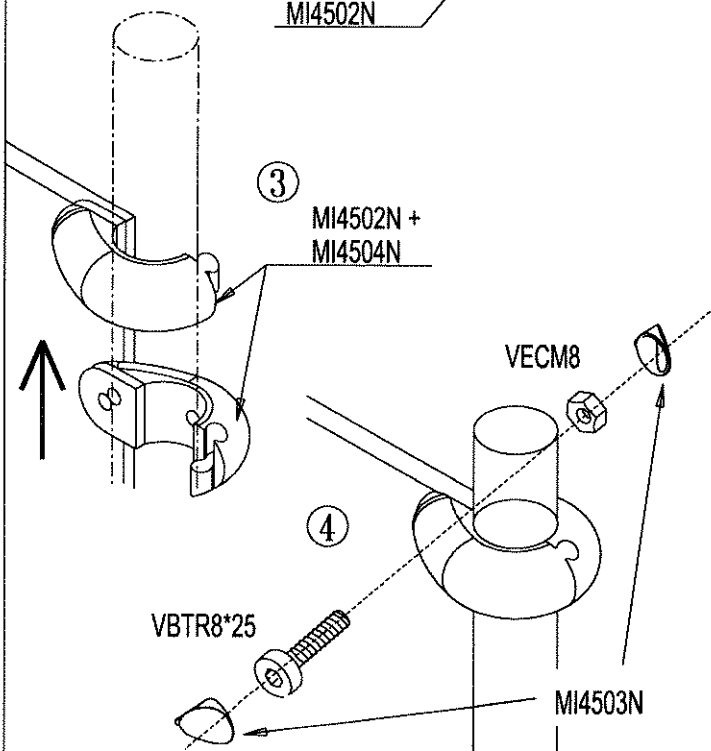
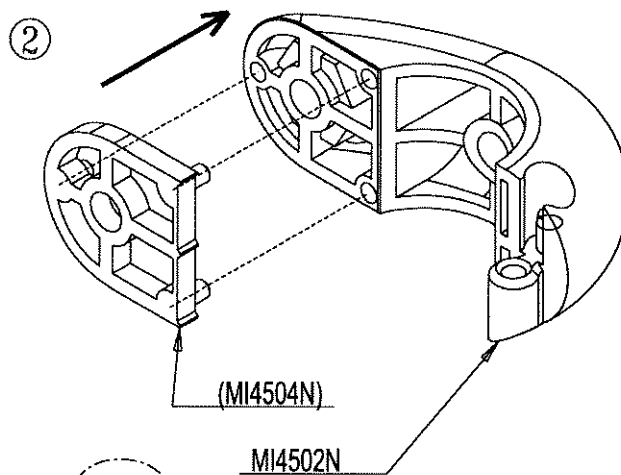
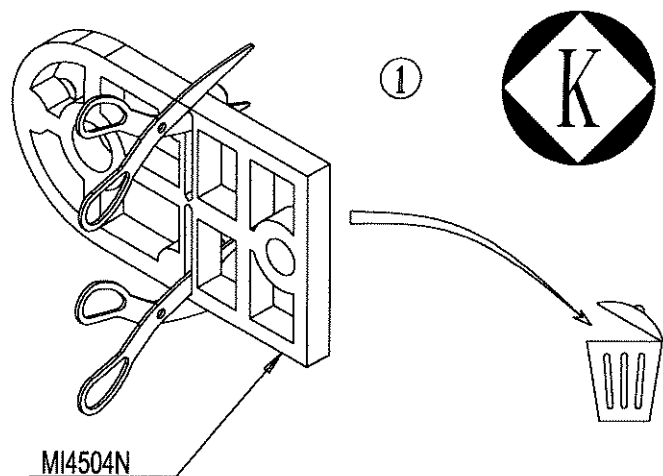
MI2502N + VGC8*55I



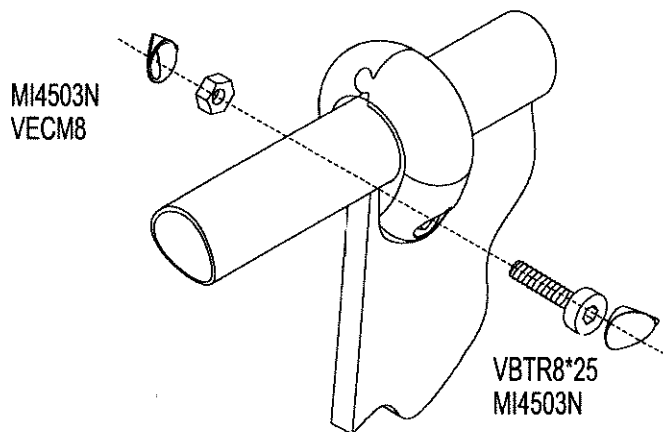
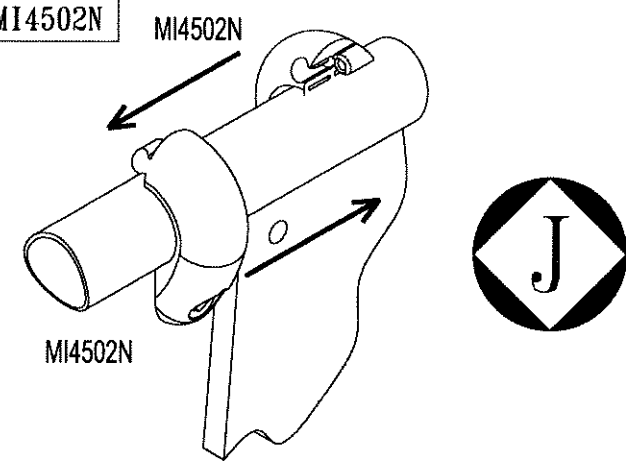
MI2502N



MI4502N + MI4504N

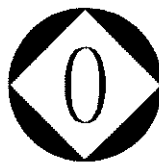
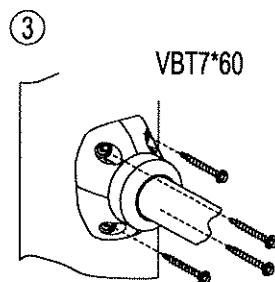
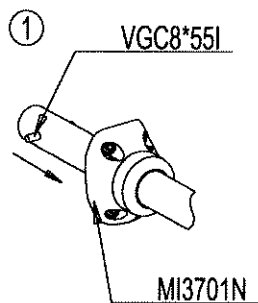
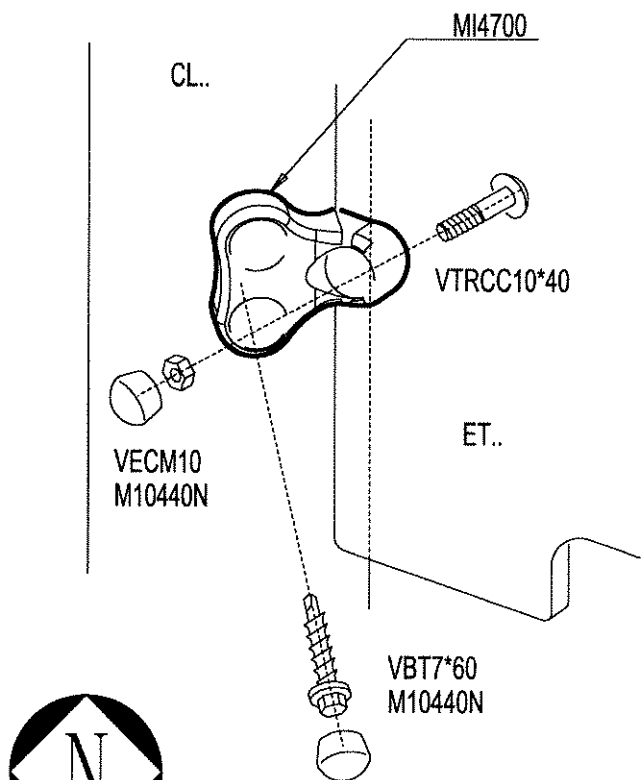


MI4502N

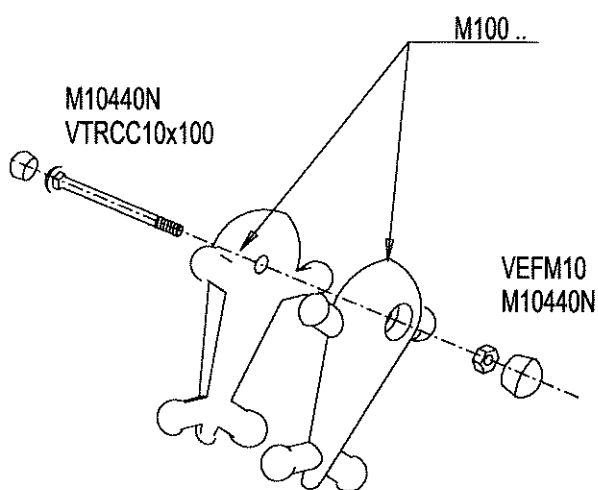
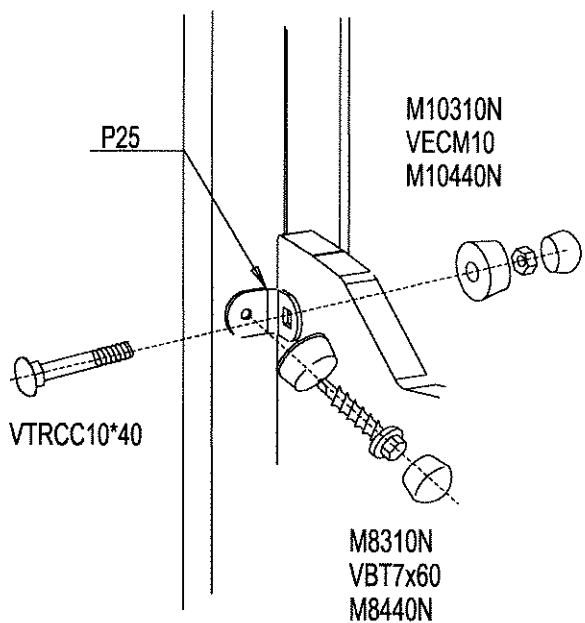


MI4700

MI3701N



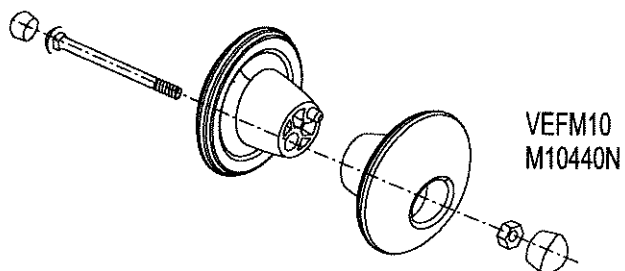
M100..



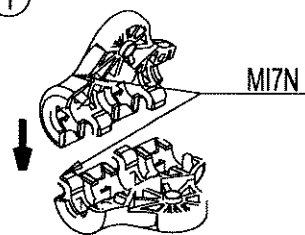
MI4700

MI3701N

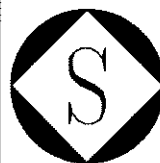
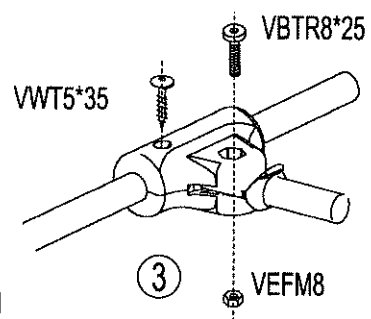
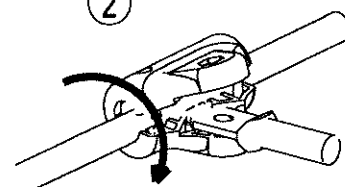
M10440N
VTRCC10x100

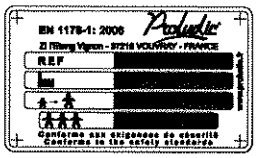


①



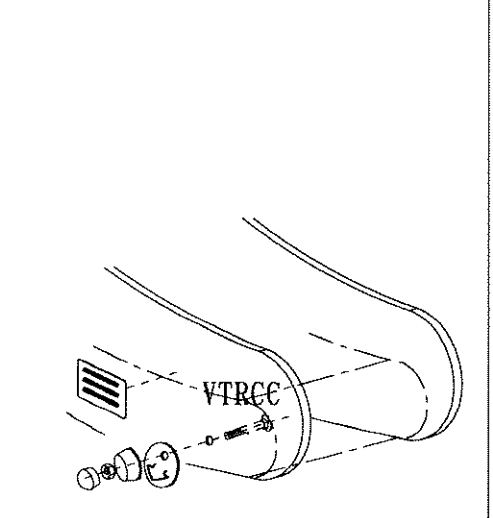
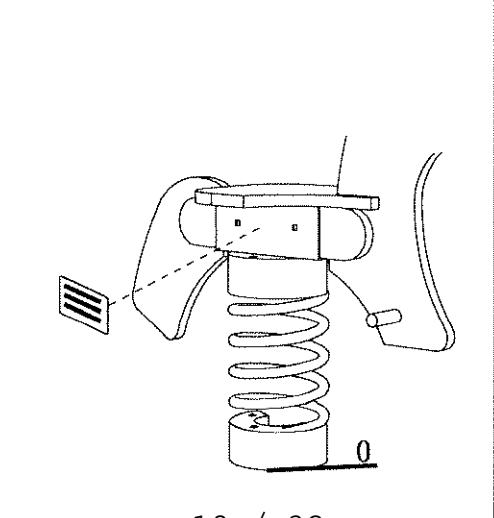
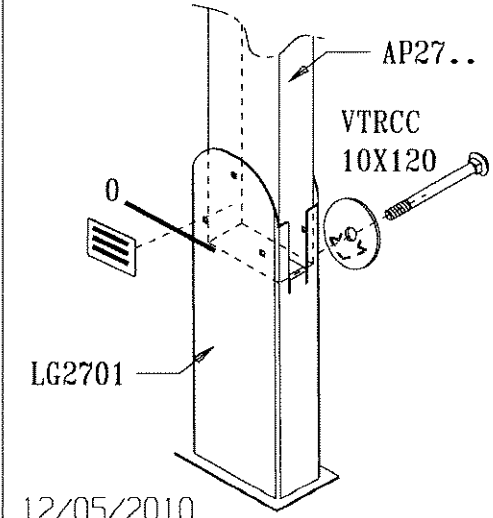
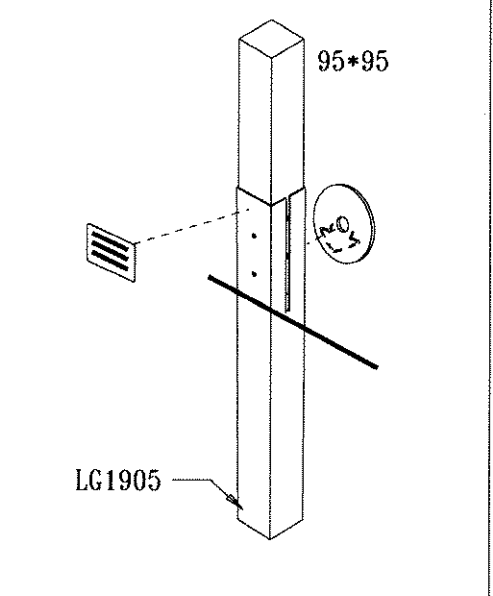
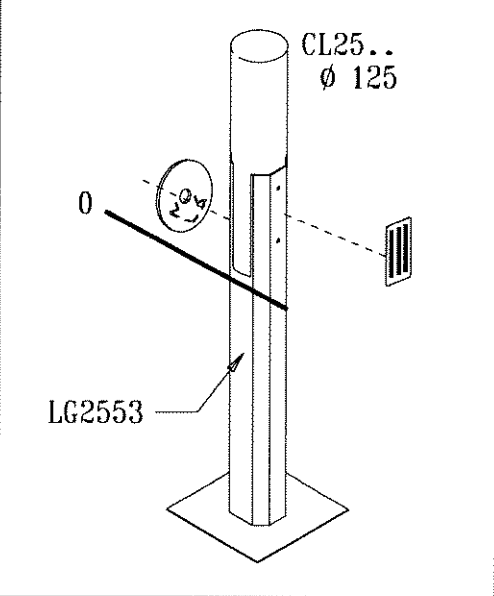
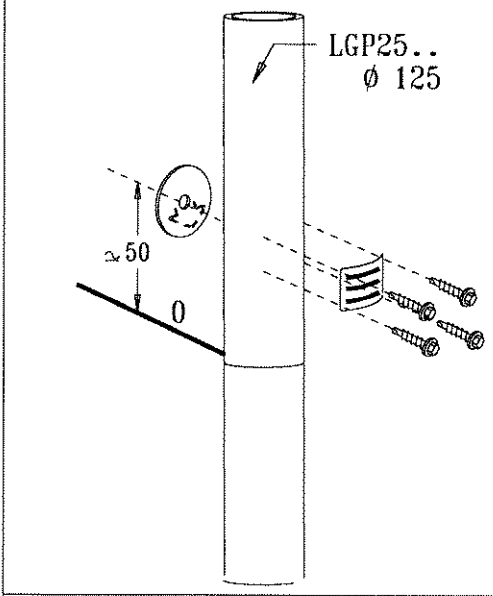
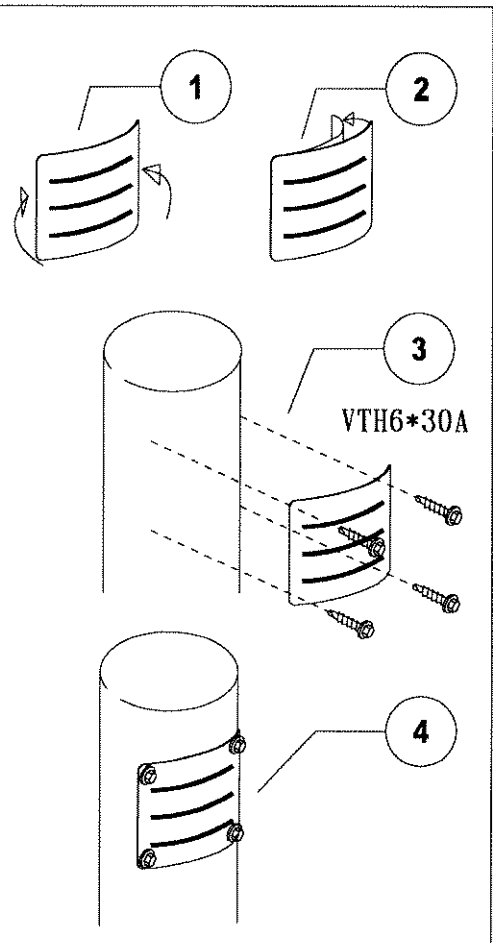
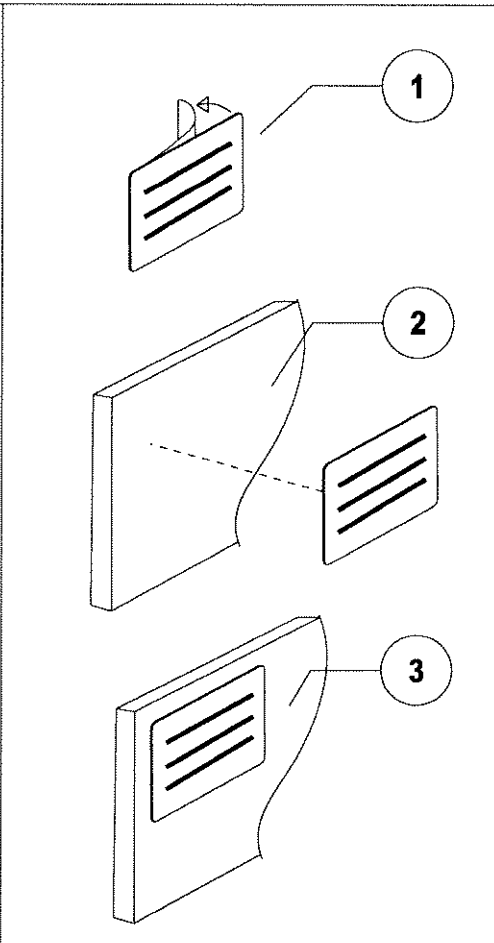
②

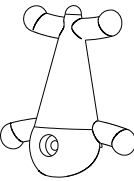
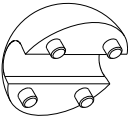
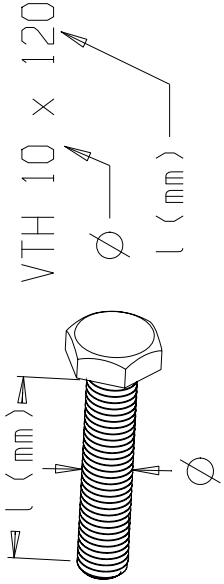
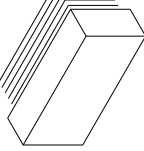
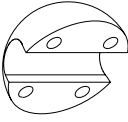
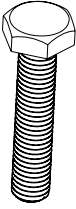
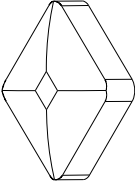
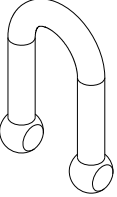
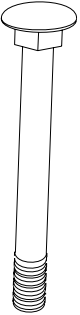
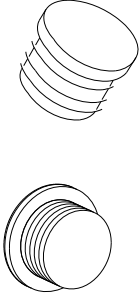
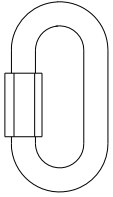
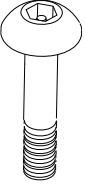
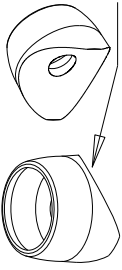
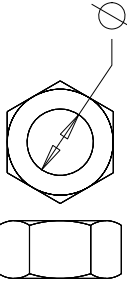
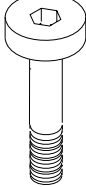
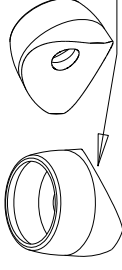
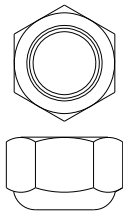
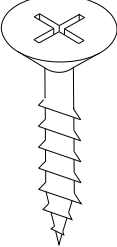
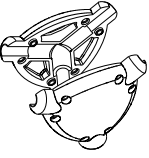
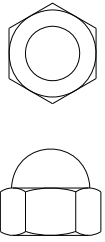
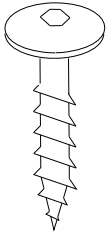

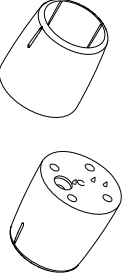
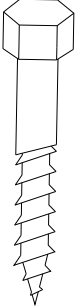


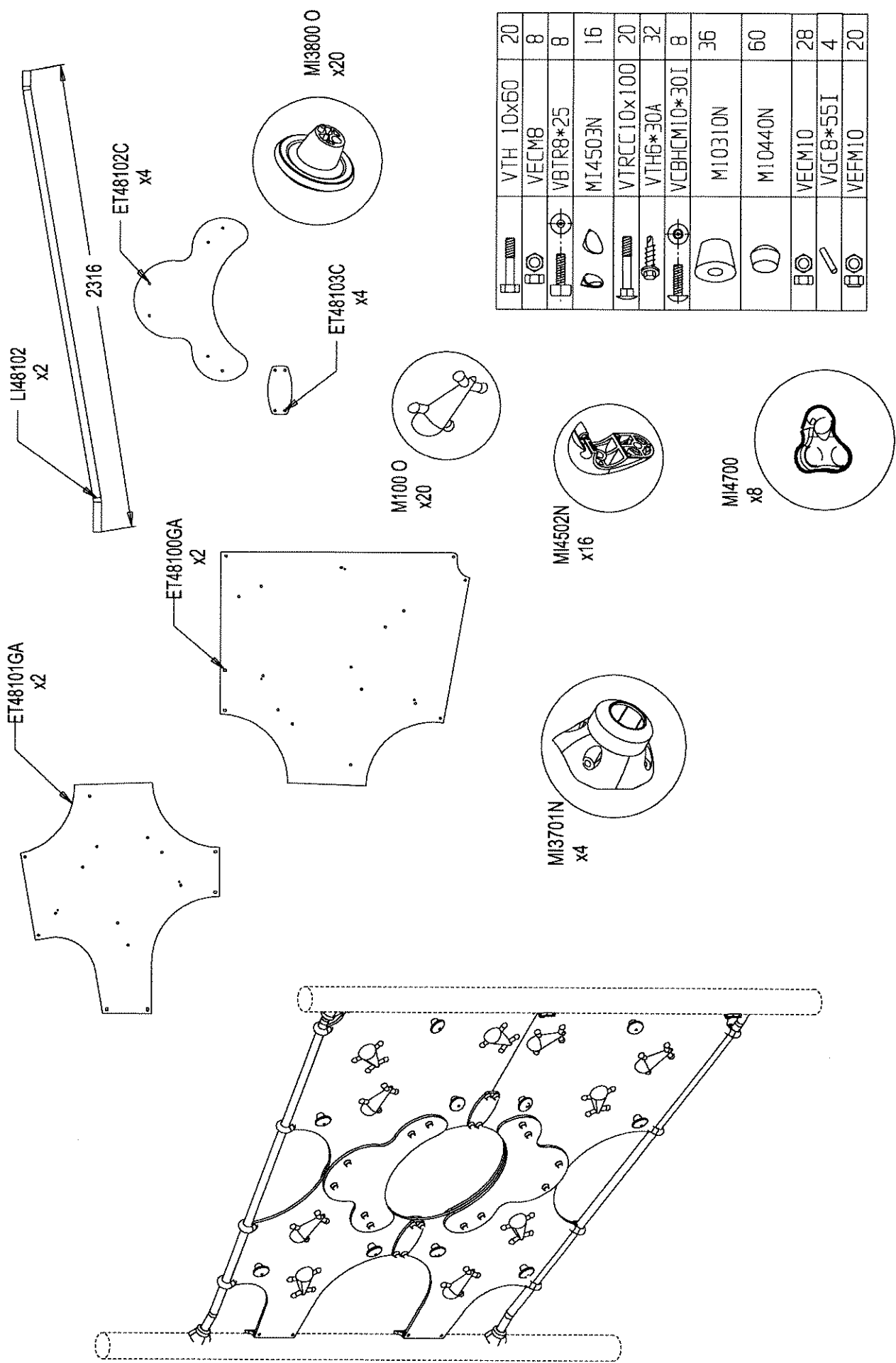


LA000

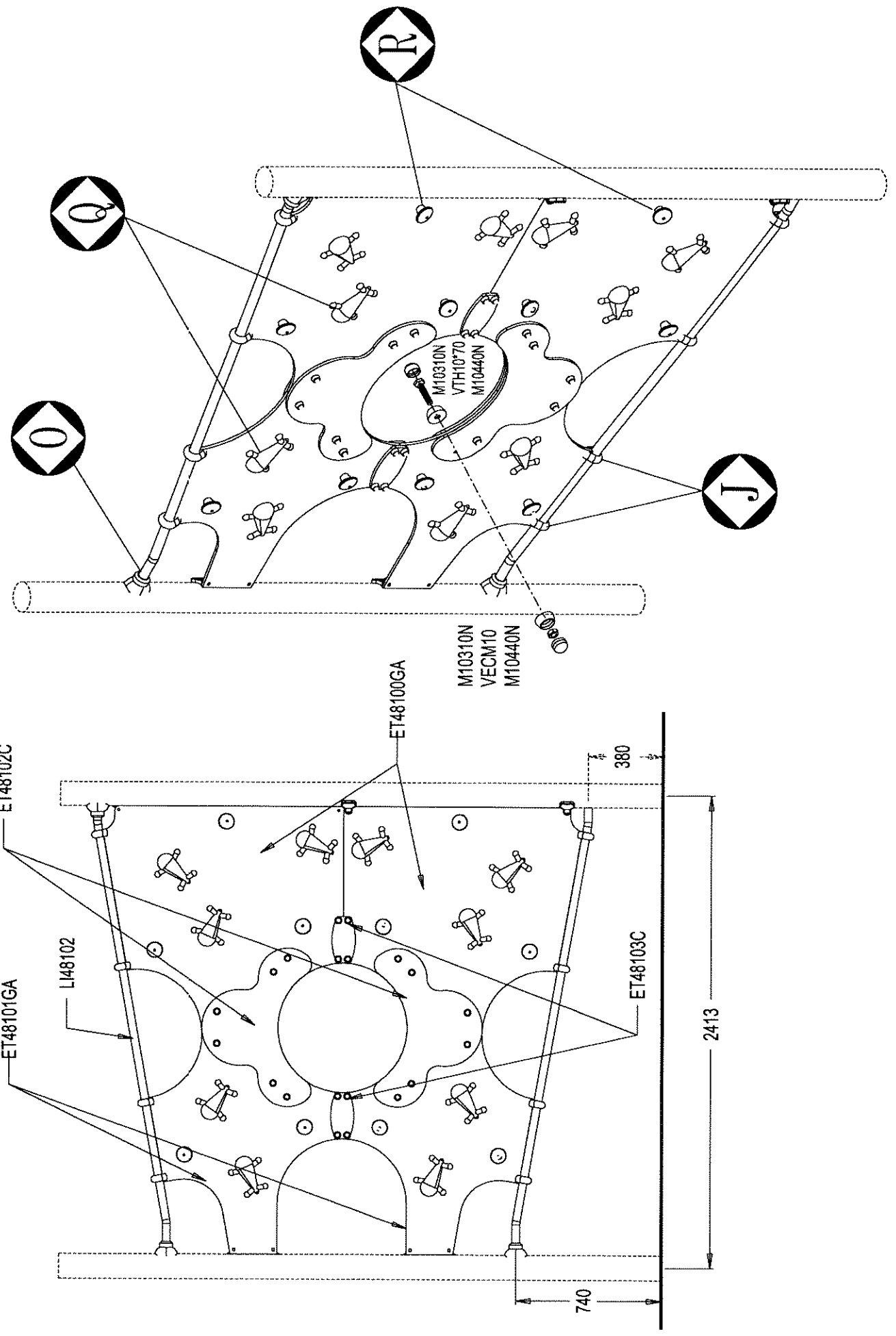
MI0002

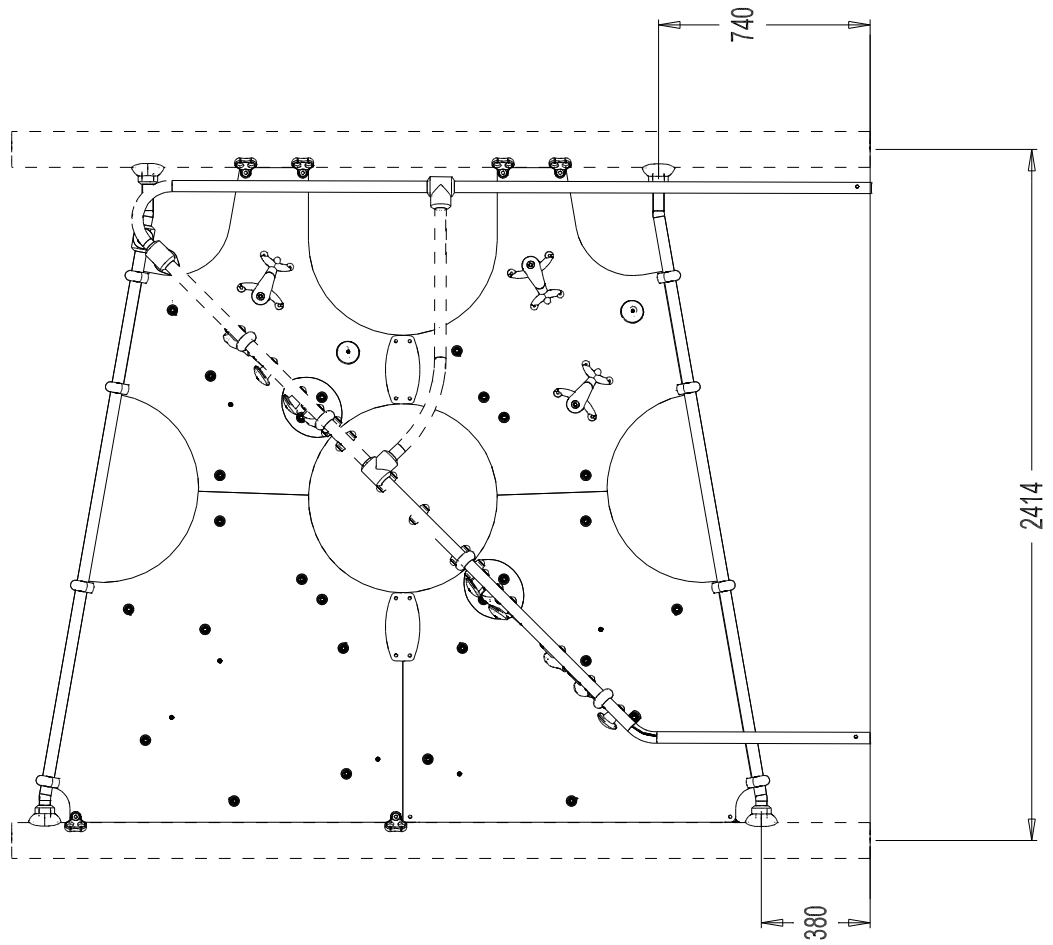
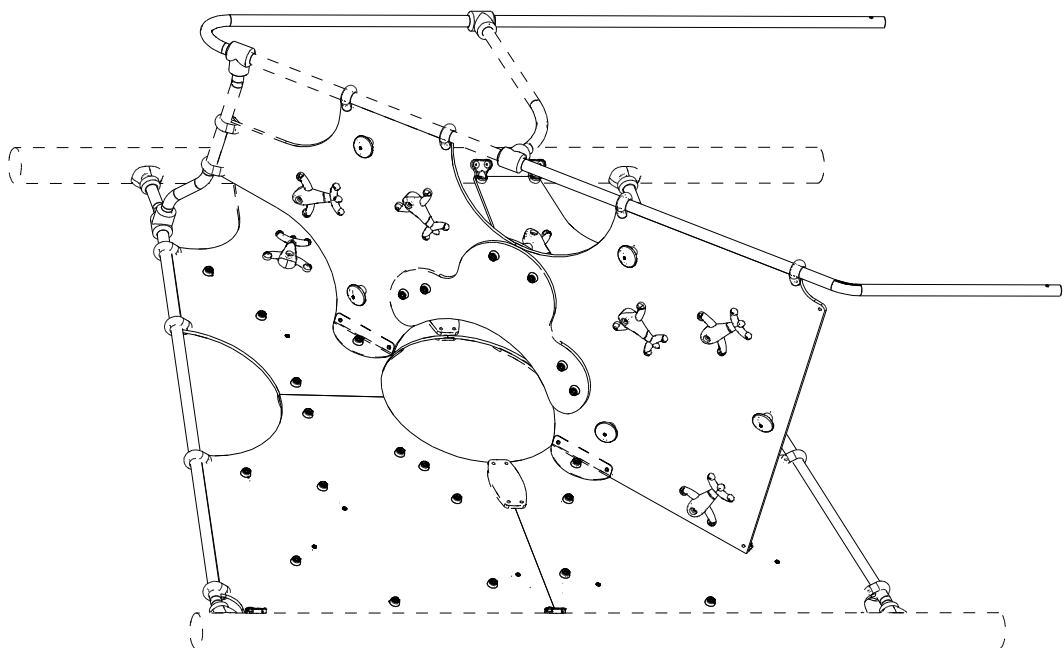


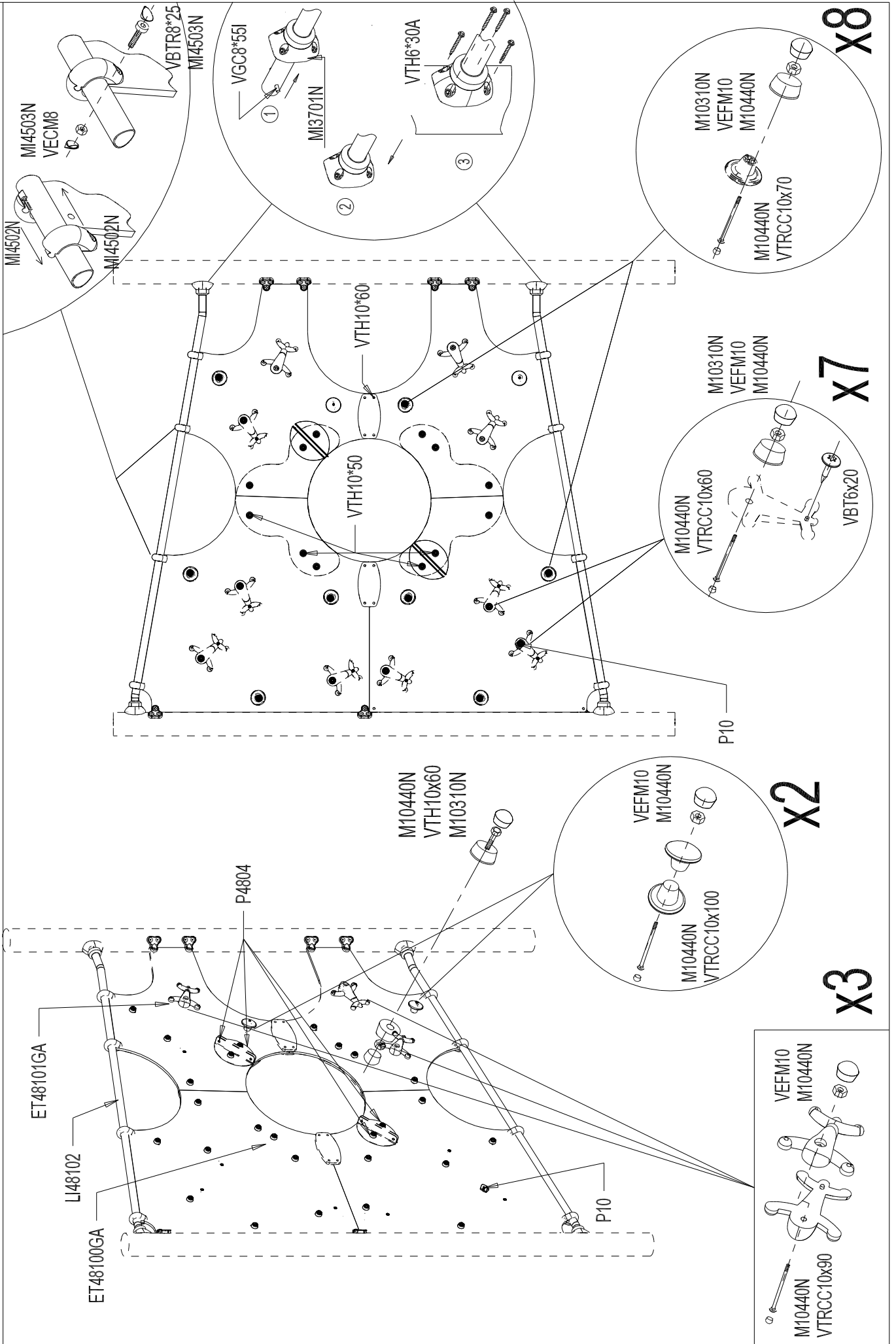
 <p>MI00VJ</p>	 <p>MI6A</p>	 <p>VTH 10 x 120</p>
 <p>M4080</p>	 <p>MI6B</p>	 <p>VTH</p>
 <p>MI0001N</p>	 <p>RMANI06</p>	 <p>VTRCC</p>
 <p>M42</p>	 <p>RMARA06</p>	 <p>VCBHC</p>
 <p>MI2503 phi 40</p>	 <p>VECM phi nut</p>	 <p>VBTR</p>
 <p>MI2701 phi 60</p>	 <p>VEFM phi locknut</p>	 <p>VWT</p>
 <p>MI28N</p>	 <p>VEBM phi blind nut</p>	 <p>VBT</p>
 <p>MI323J</p>	 <p>MI5C</p>	 <p>VTF</p>

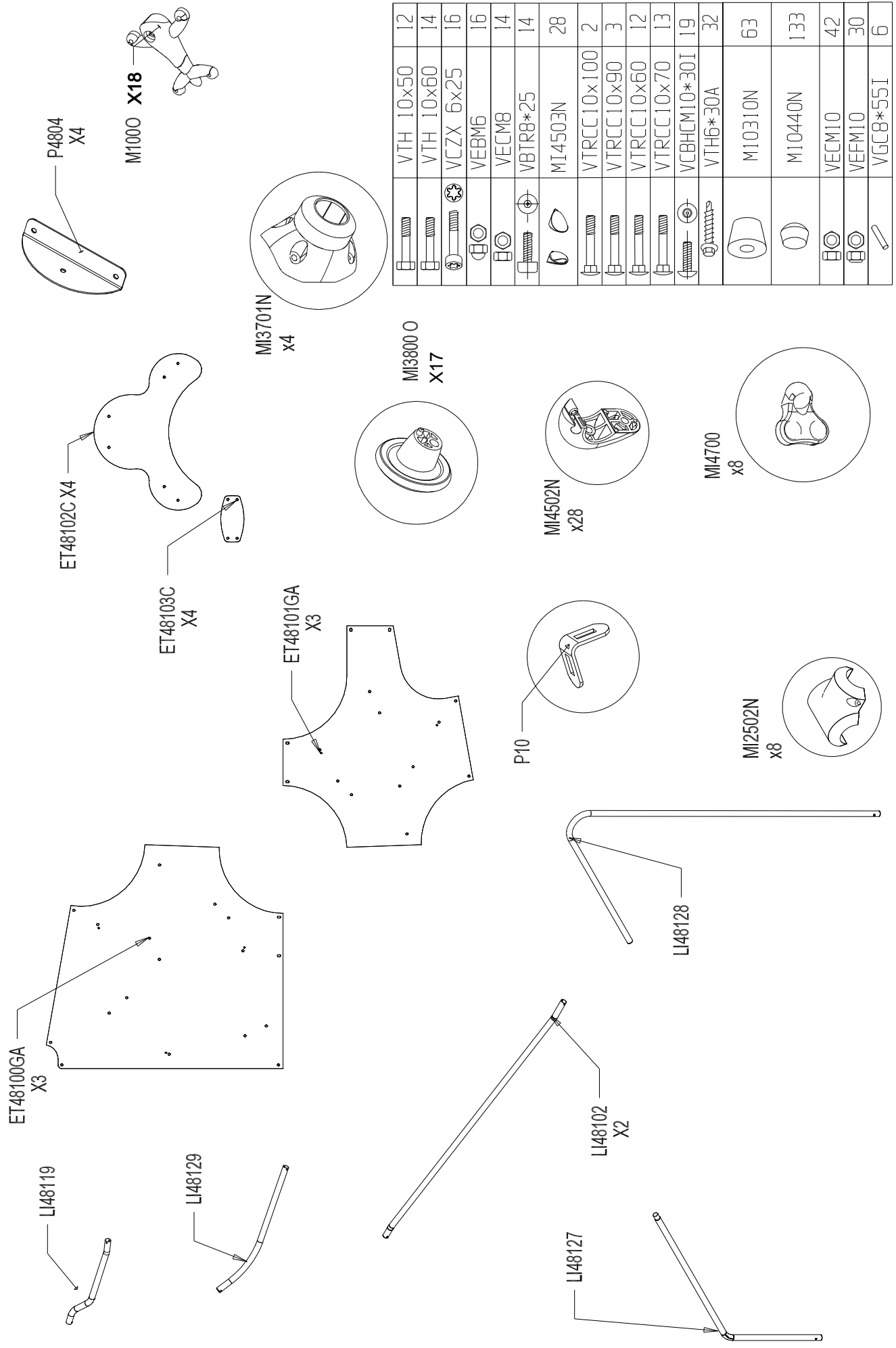


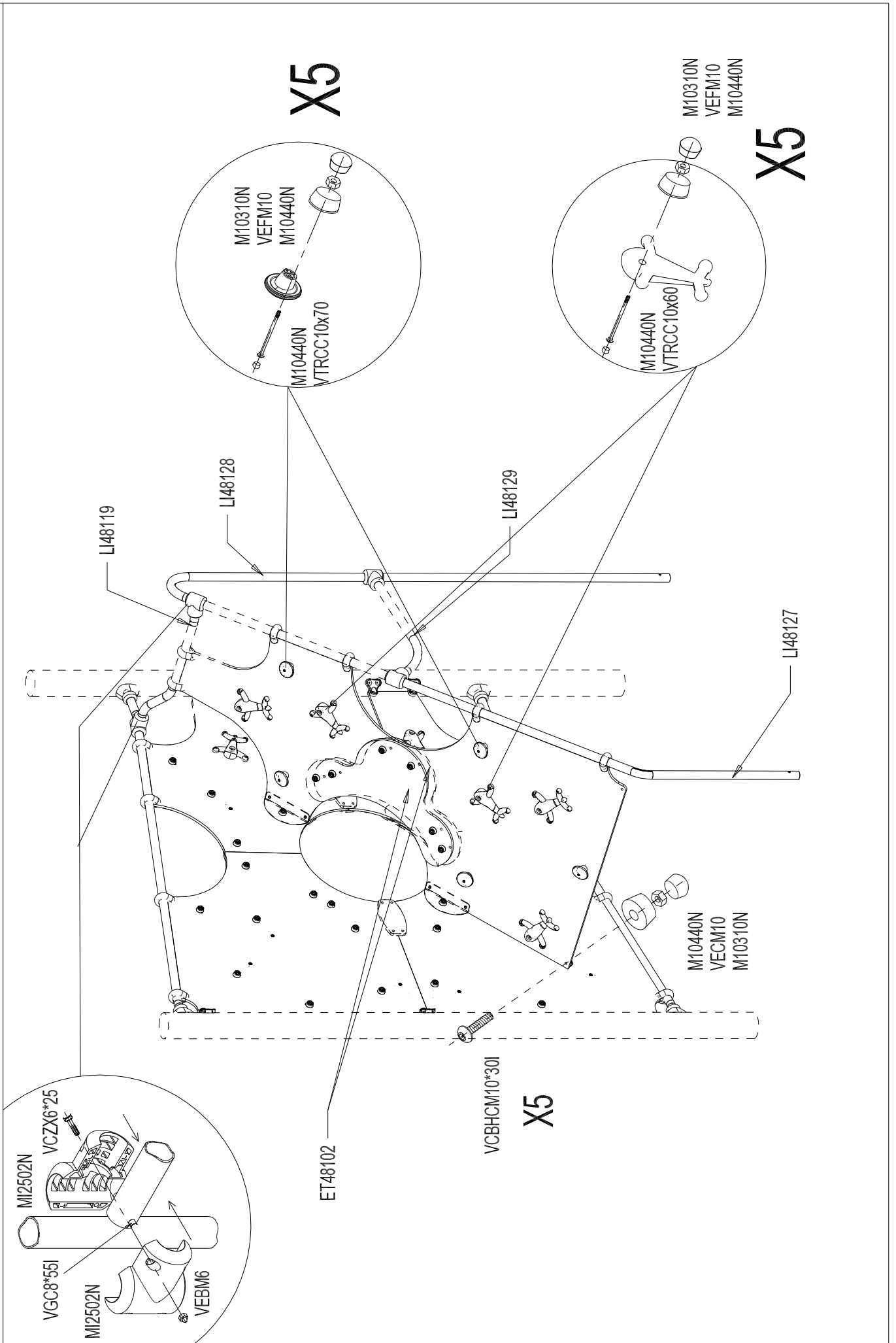
	VTH 10x60	20
	VECM8	8
	VBTR8*25	8
	MI4503N	16
	VTRCC10x100	20
	VTHG*30A	32
	VCBHCMI0*30I	8
	M10310N	36
	M10440N	60
	VECM10	28
	VGC8*55I	4
	VEFM10	20

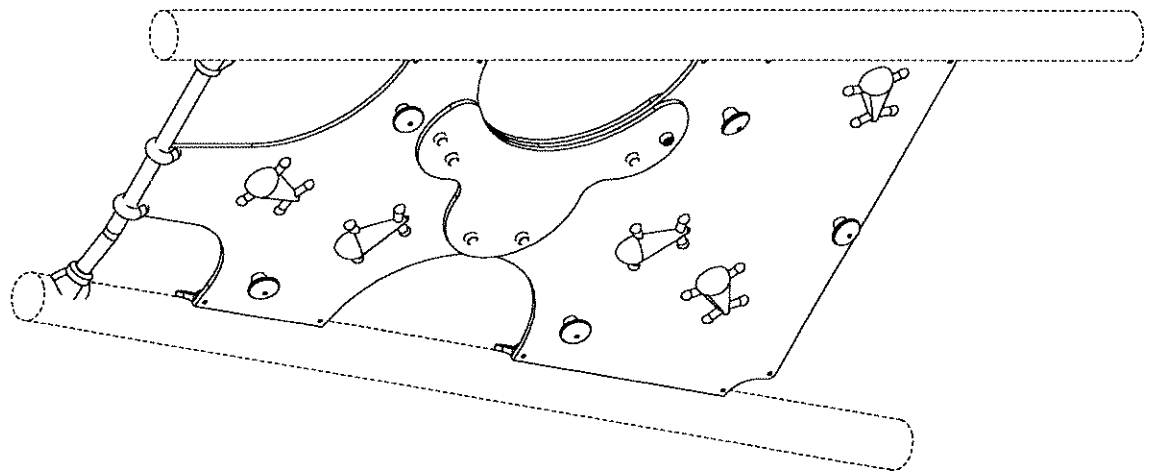




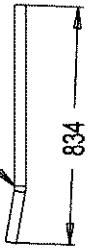




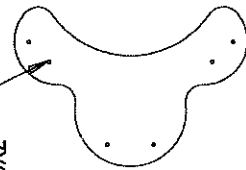




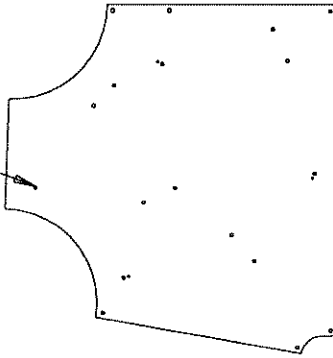
LI48117



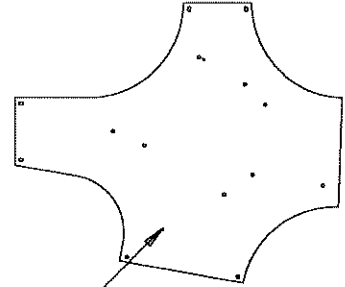
ET48102CX2



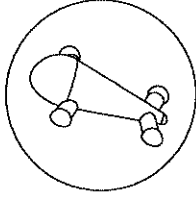
ET48100GA



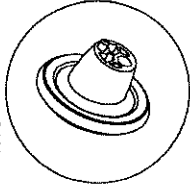
ET48101GA



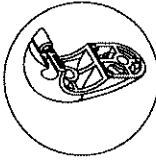
M100DF
X10



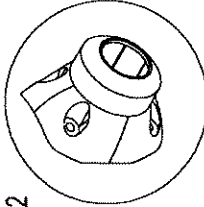
M13800 O
x10



M14502N
x4



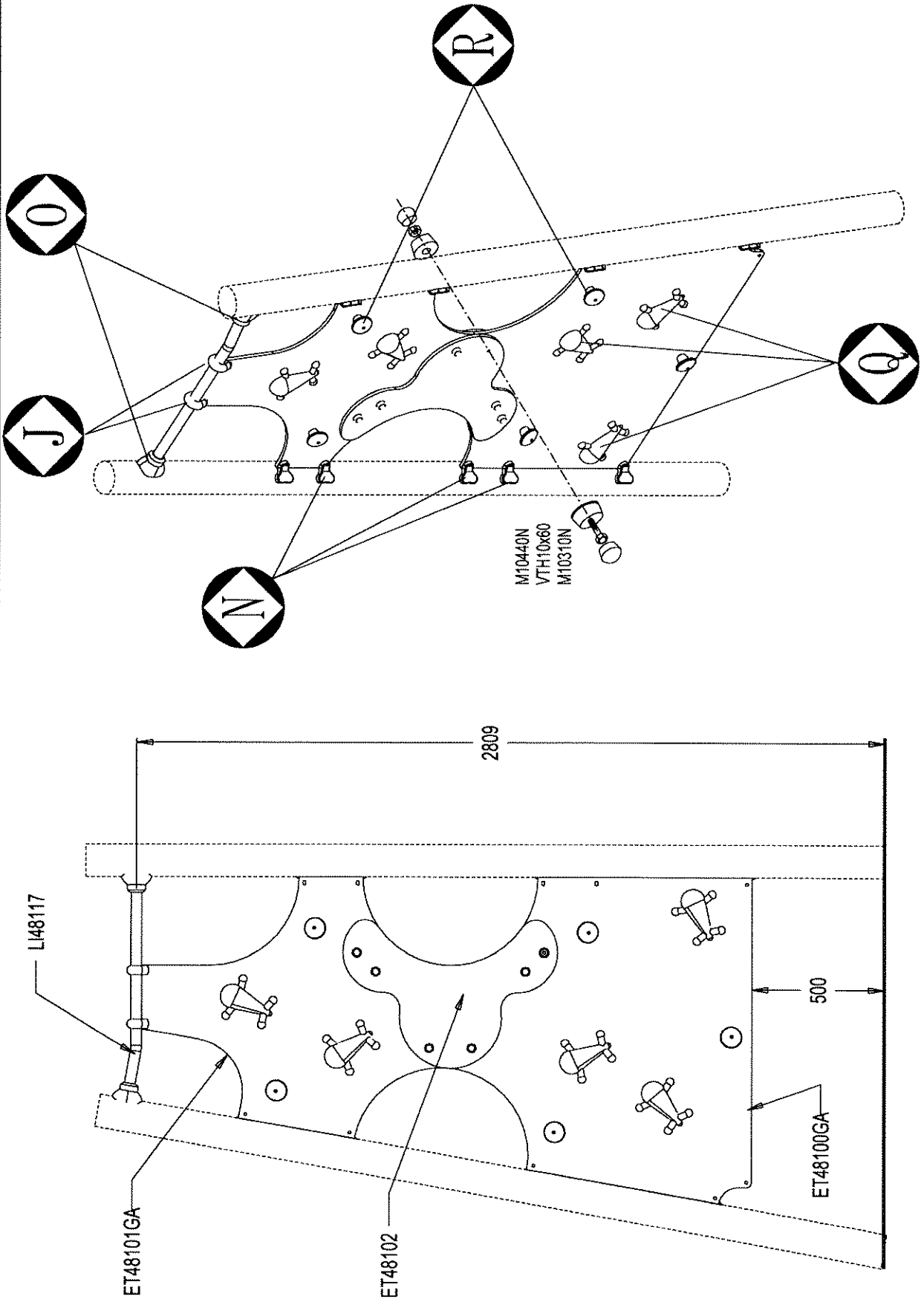
M13701N
x2

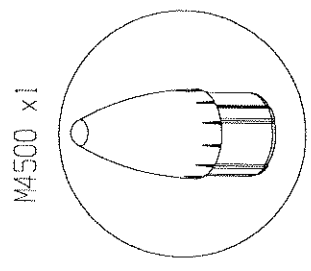
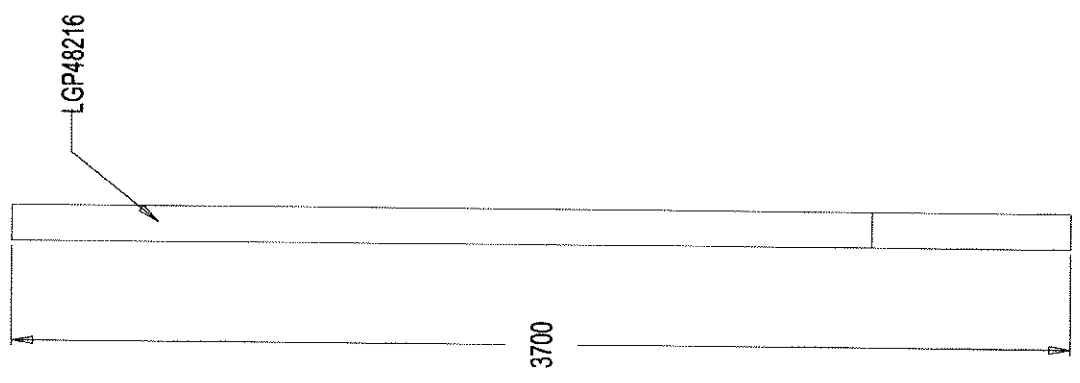
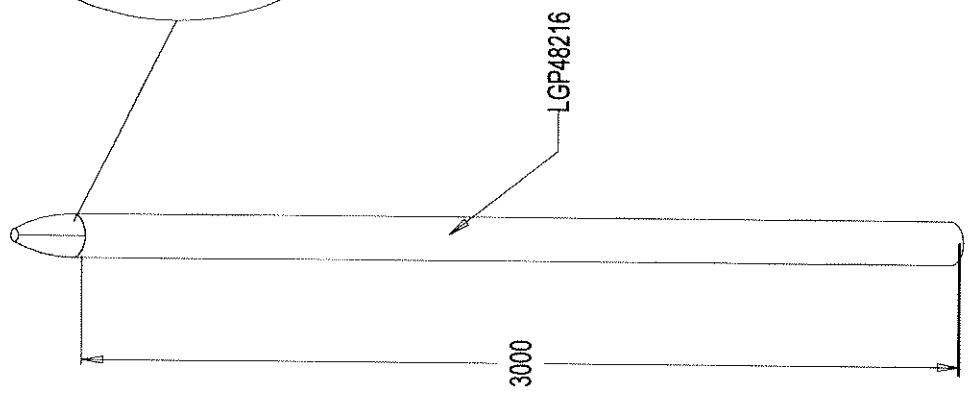
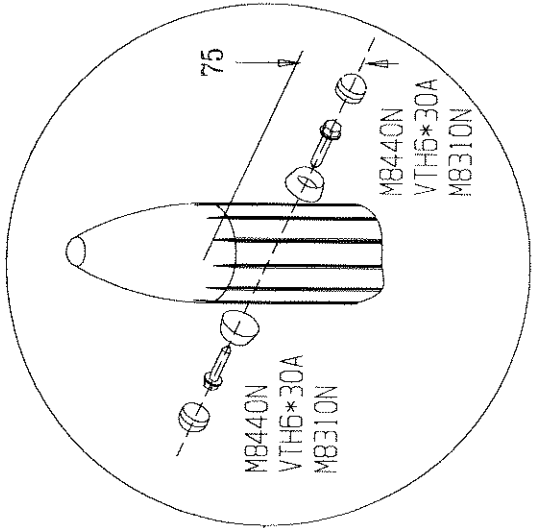


M14700
x9

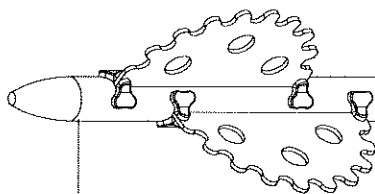


	VTH 10x60	6
	VECM8	2
	VBTR8*25	2
	M14503N	4
	VTRCC10x100	10
	VBT 7x60	26
	VCBHC10*30I	9
	M10310N	12
	M10440N	59
	VECM10	15
	VEFM10	10

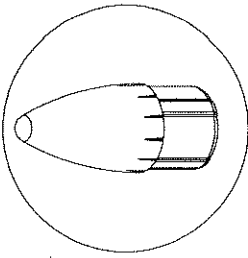




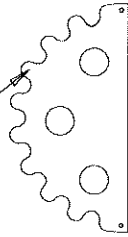
	M8310N	2
	M8440N	2
	VTH6*30A	2



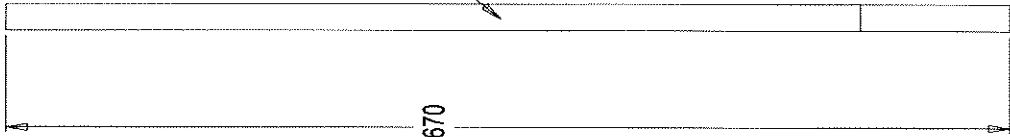
M4500 x1



ET48109GA
X2

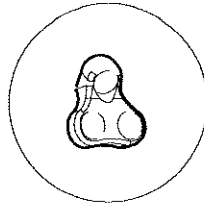


4670

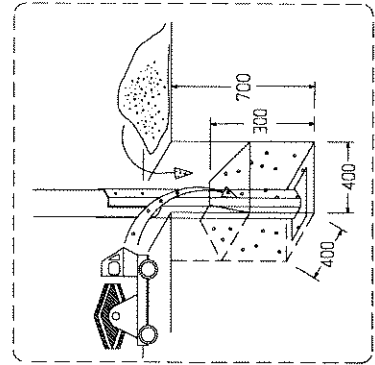
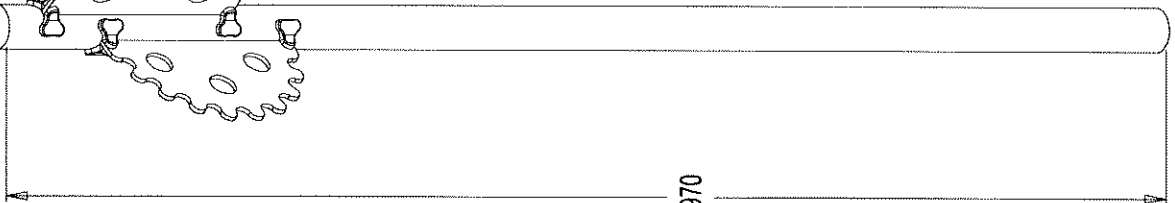


LGP48211

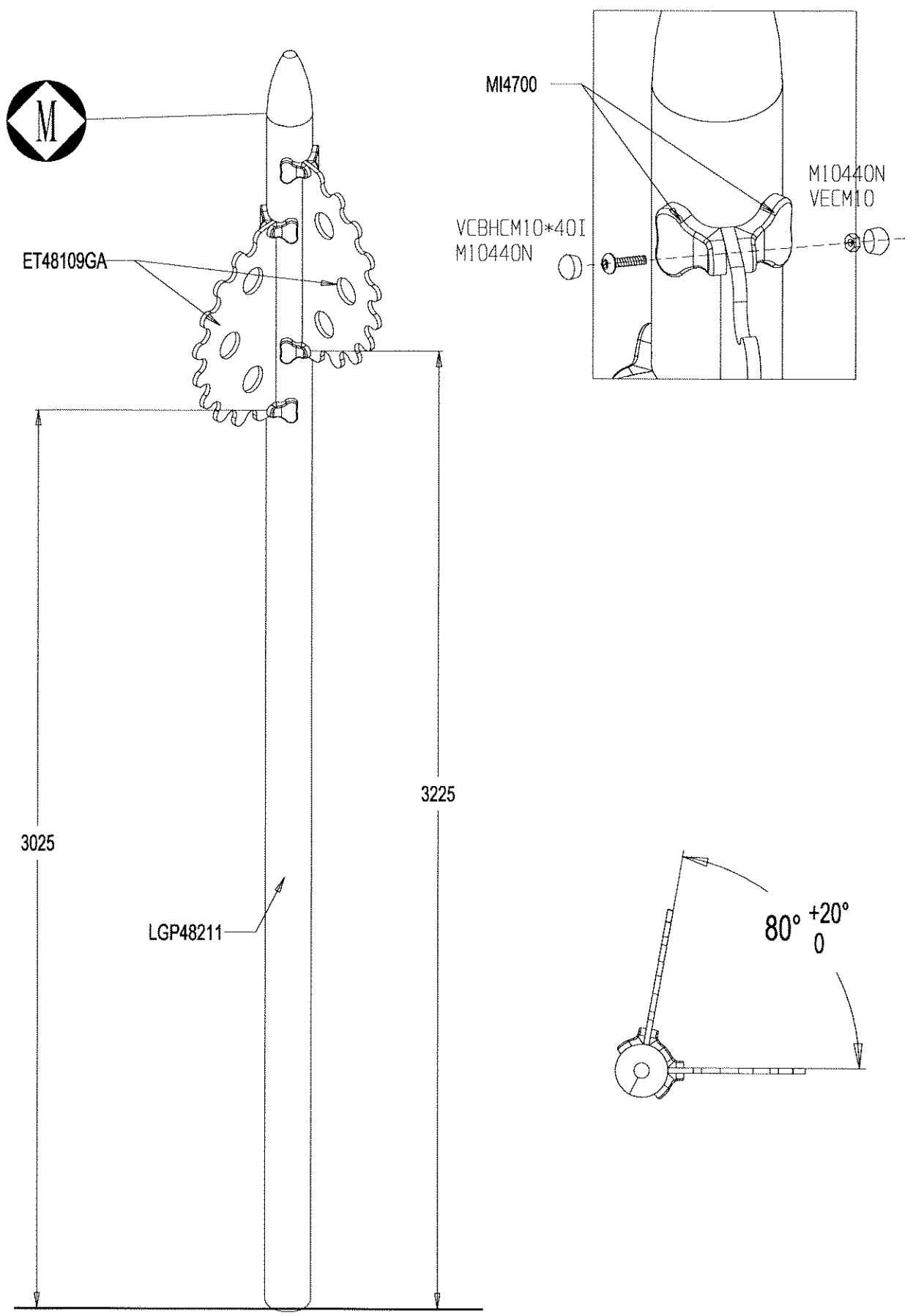
MI4700 X8

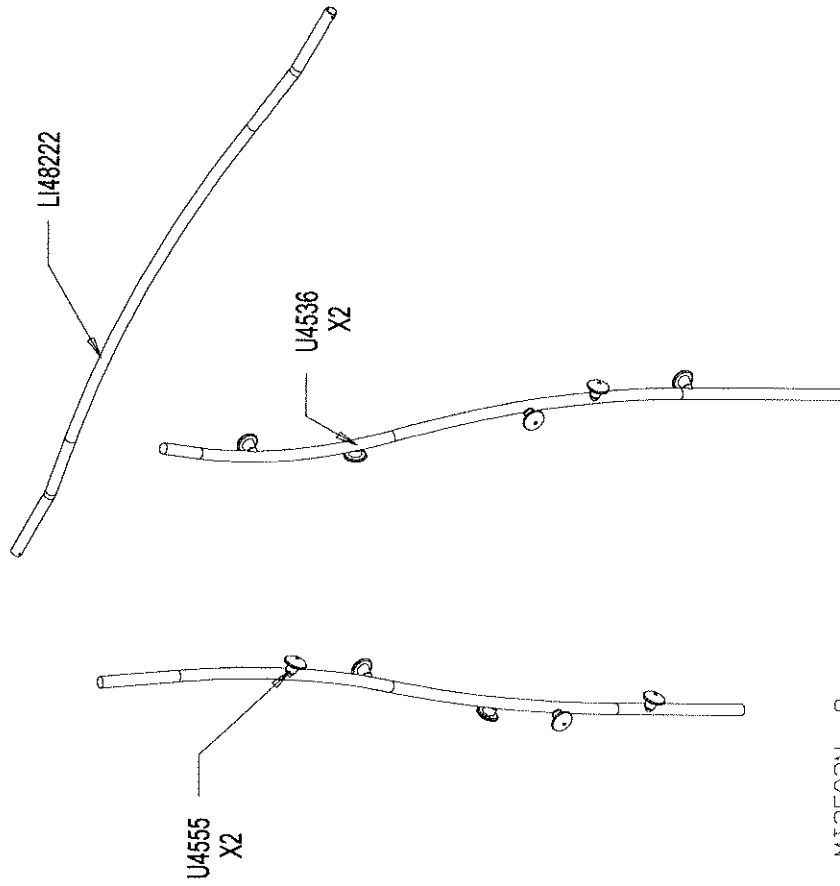
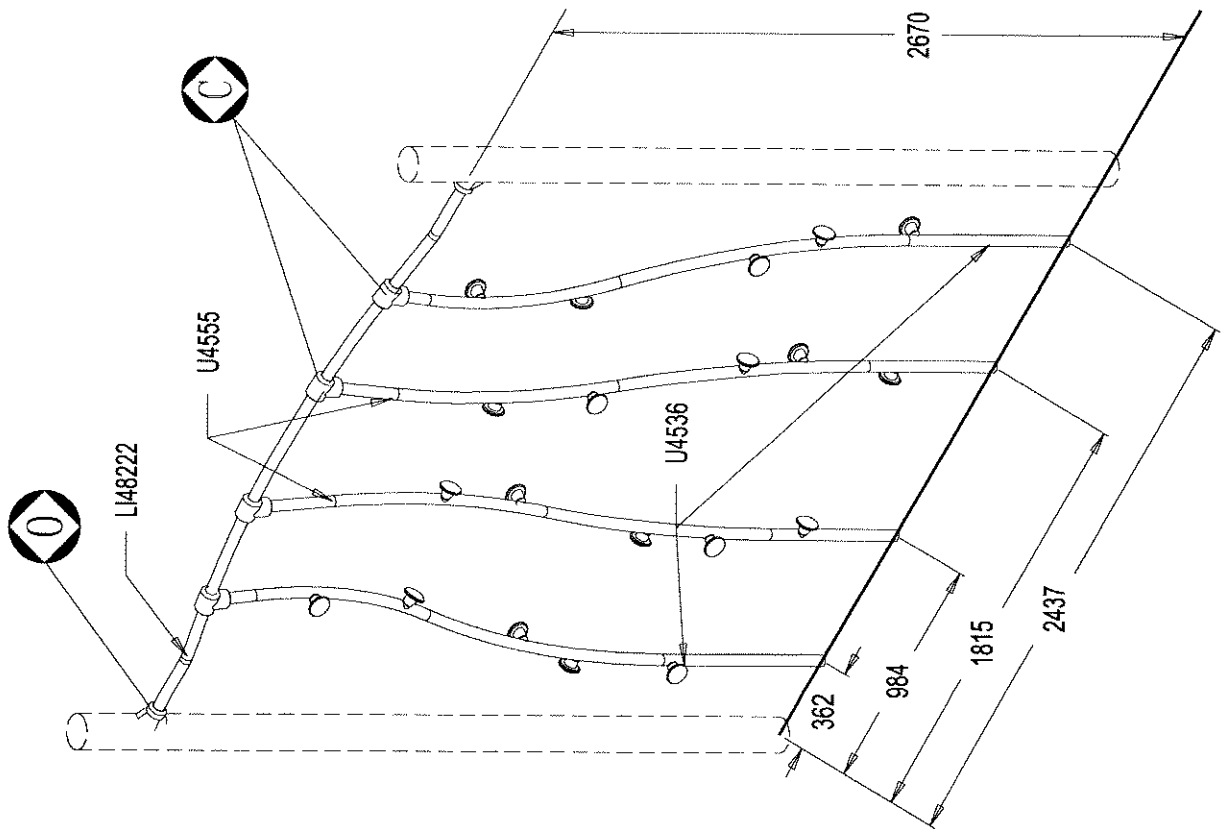


3970

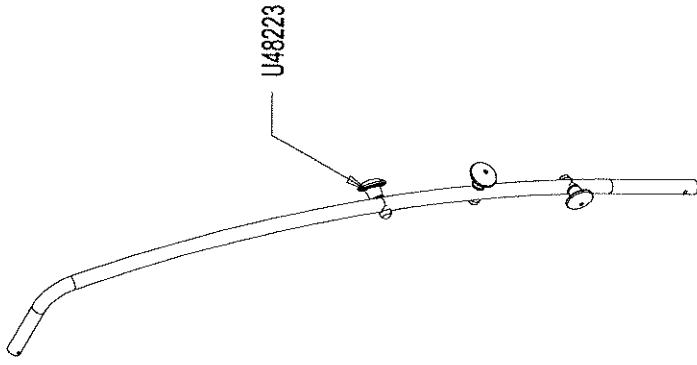
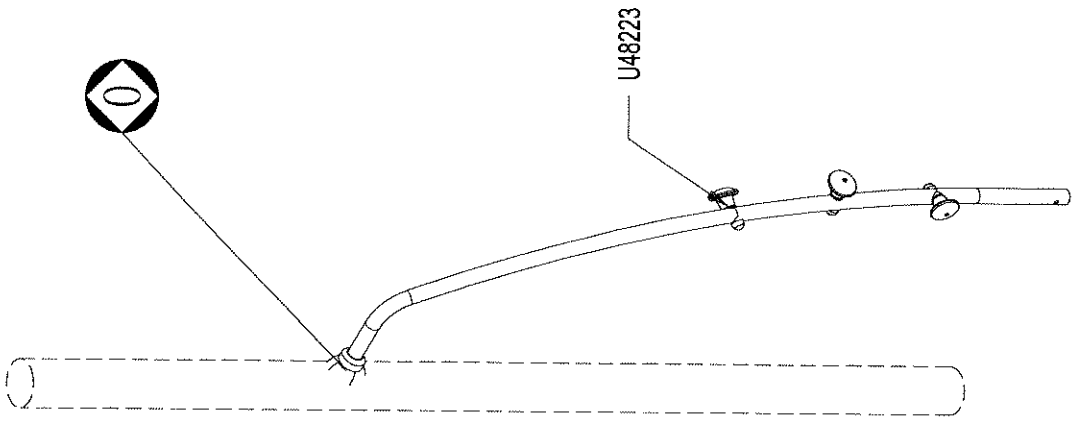





	VCBHCMI0*40I	4
	M10440N	24
	VECM10	4
	M8310N	2
	M8440N	2
	VTH6*30A	18





	VGC8*55I	2
	MI3701N	2
	VCZX 6x25	16
	VEBM6	16
	VTH6*30A	8



	VGC8*55I	1
	VTH 6x30A	4
	MI3701N	1