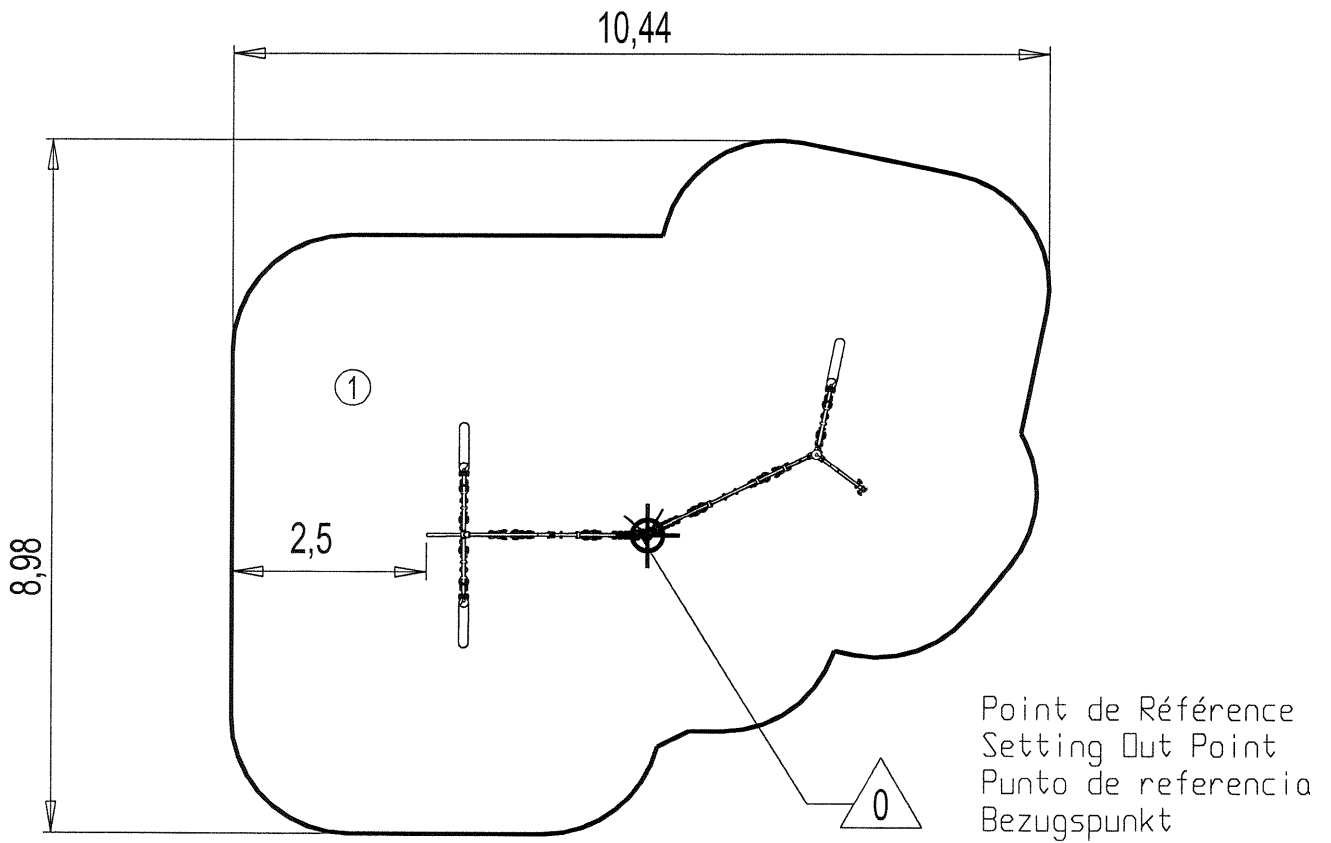
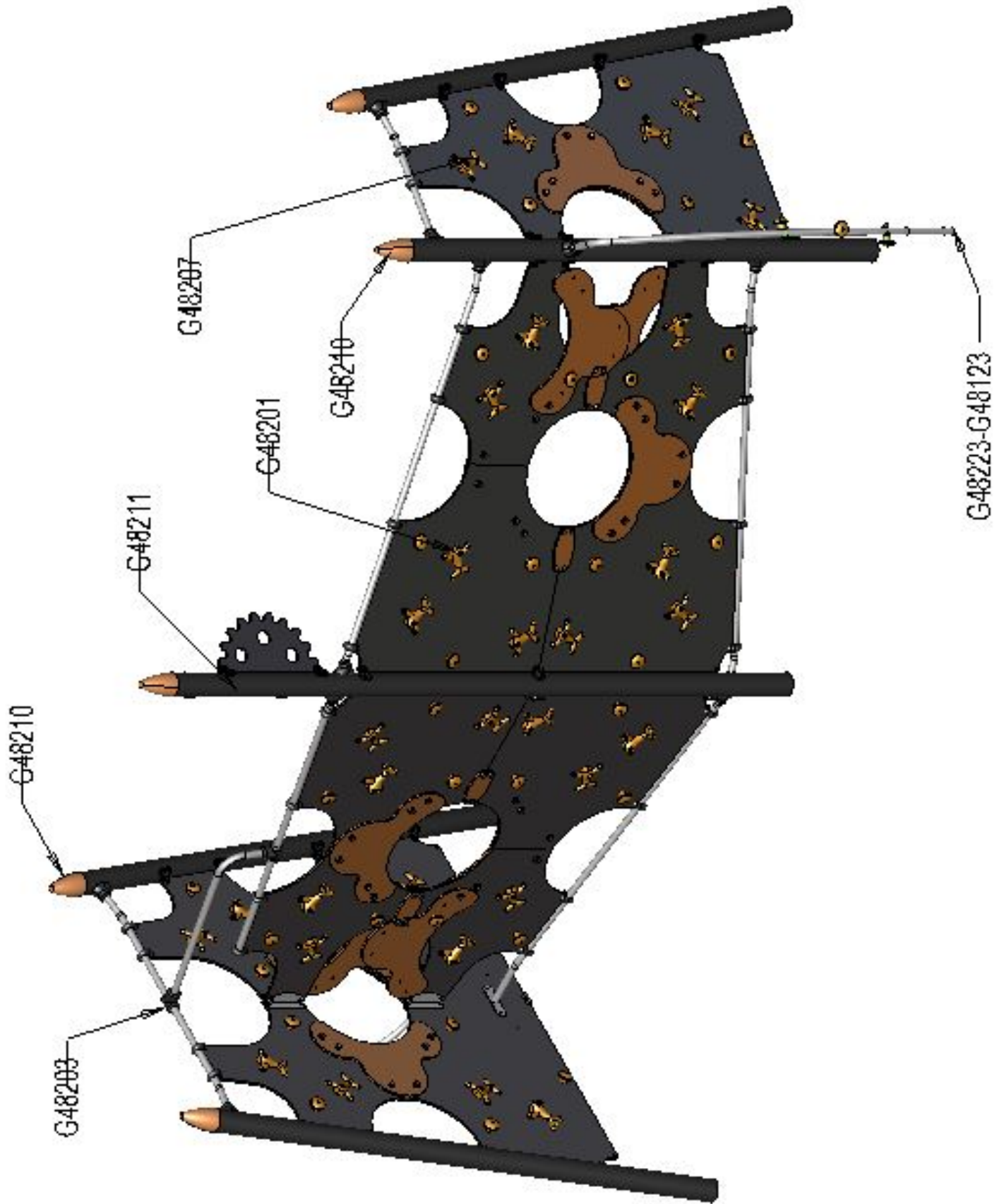


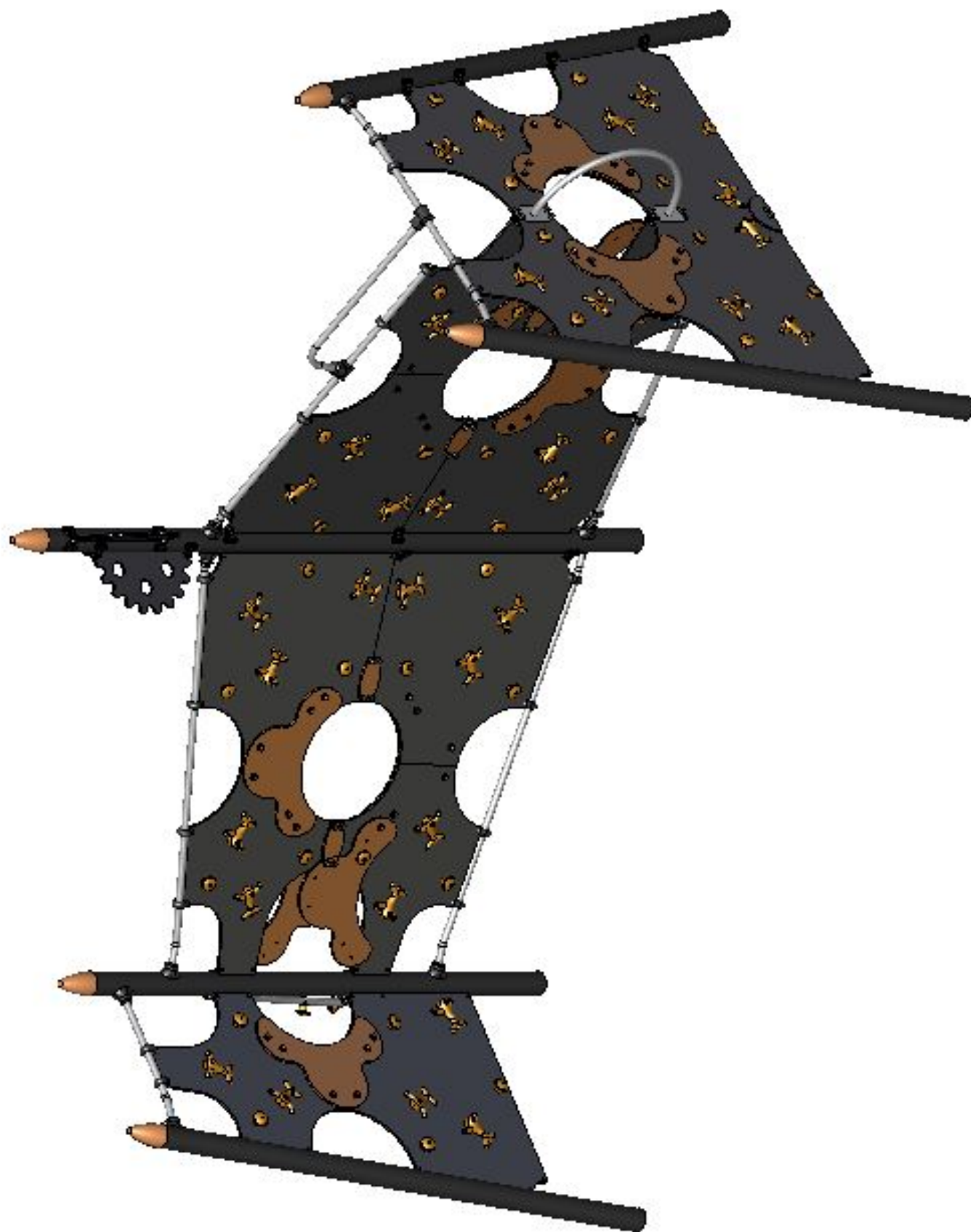
N°		
①	2.9 m	72 m <sup>2</sup>

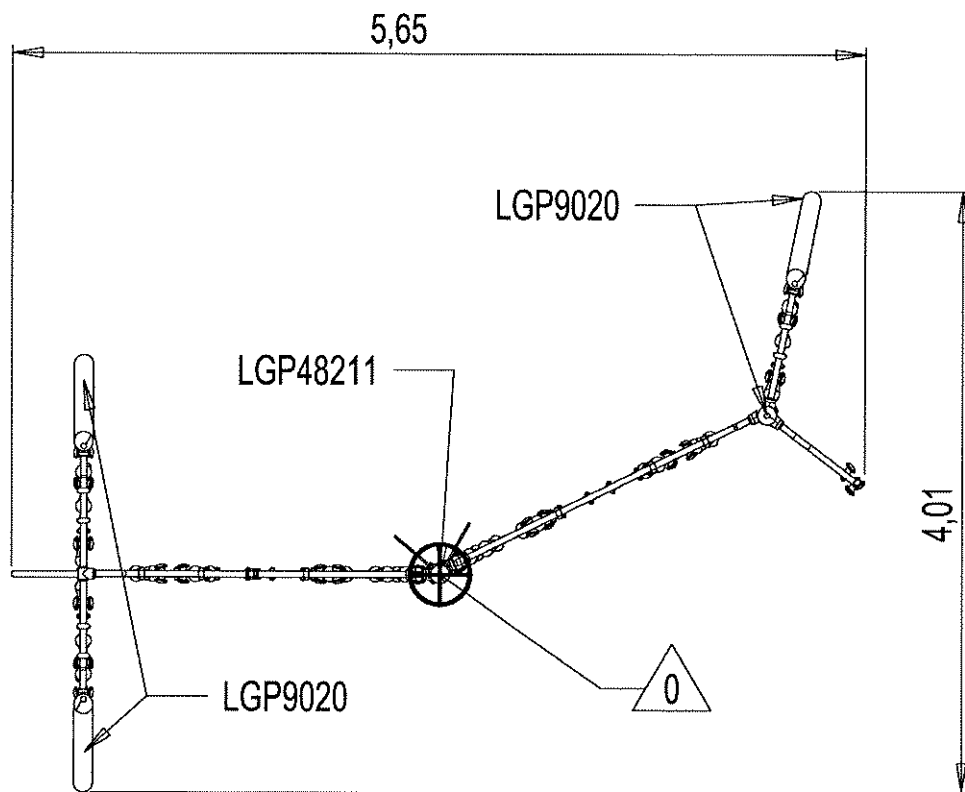
— Zone d'Impact  
 Impact Area  
 Area de Impacto  
 Fallraum

EN 1176-1 : 2008

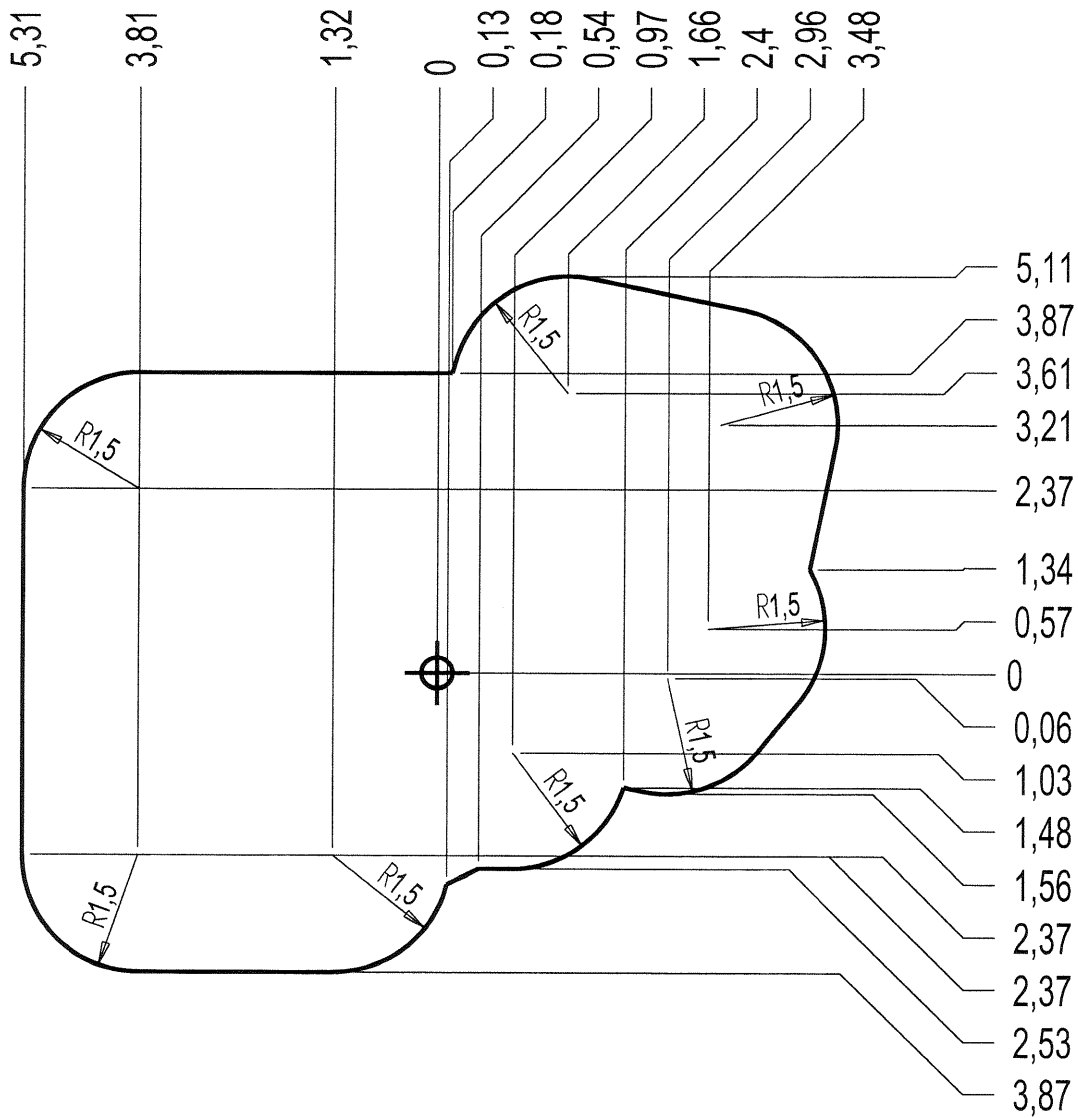






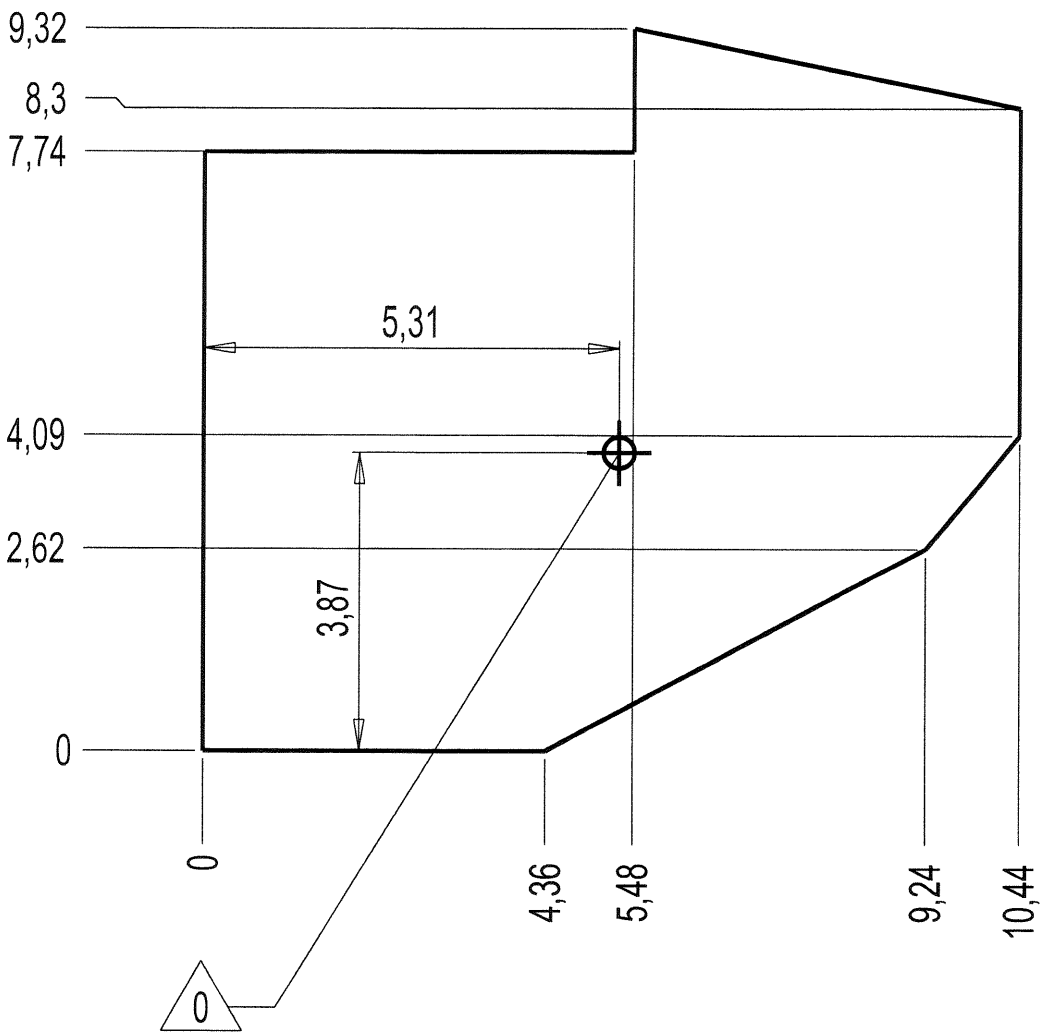


— Zone d'Impact **72 m<sup>2</sup>**  
 Impact Area  
 Area de Impacto  
 Fallraum

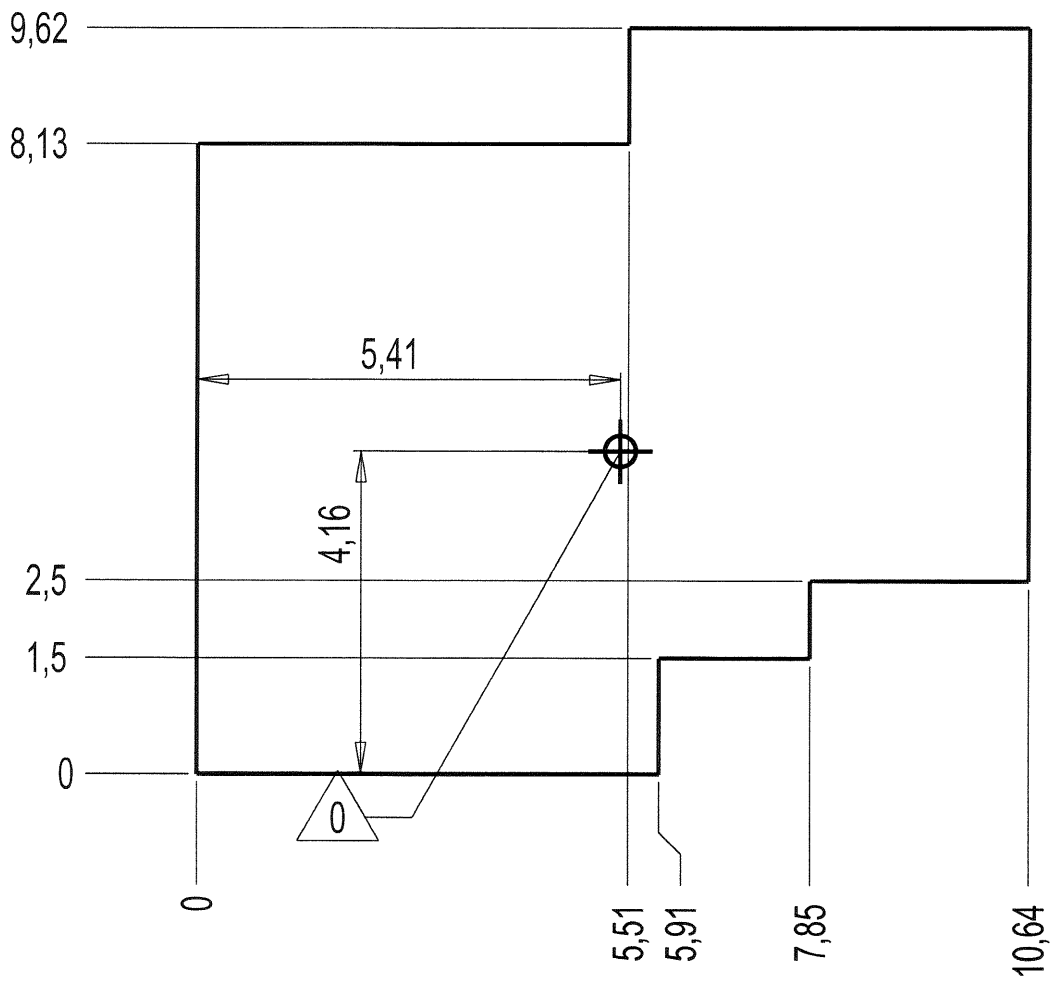


— Dalle béton  
Concrete pad  
Solera de Hormigón  
Beton Bodenplatte

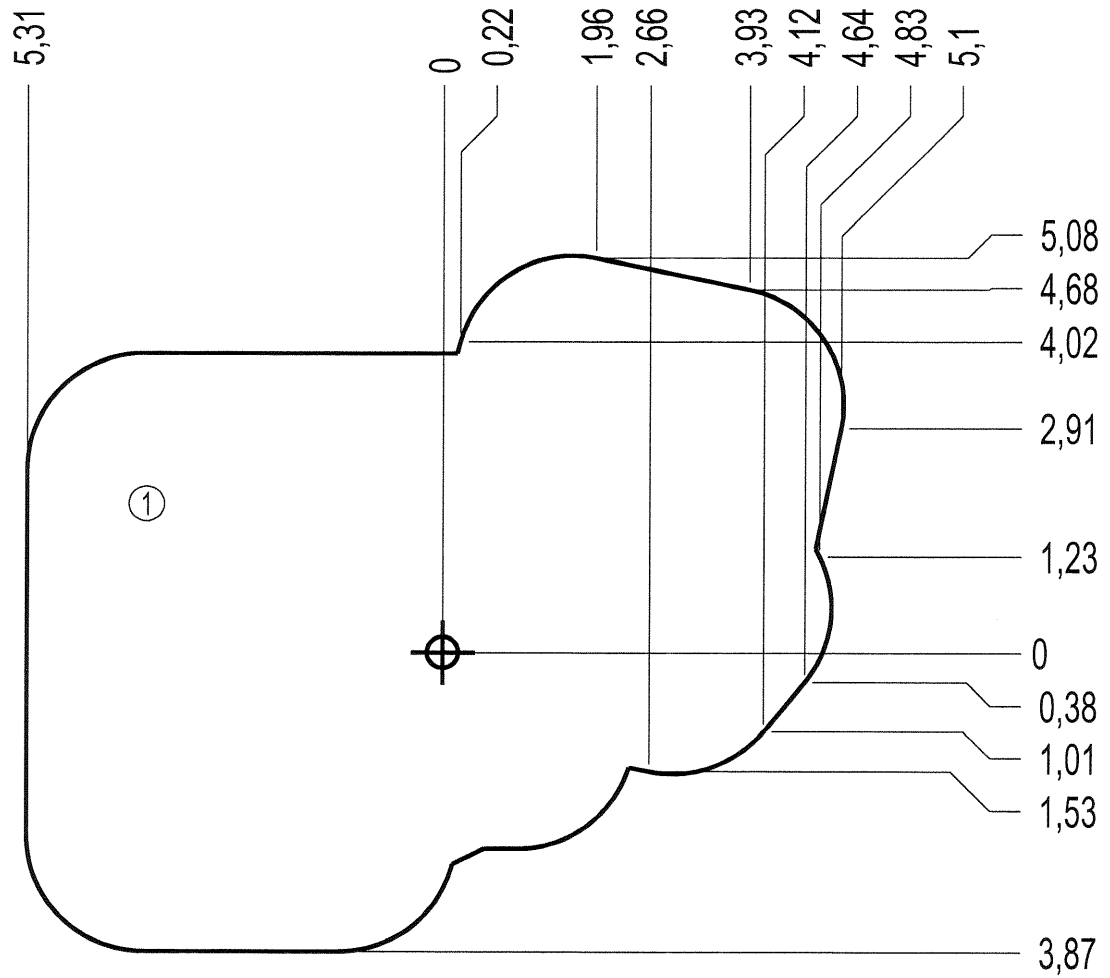
36 m  
76 m<sup>2</sup>



- Sol fluent 41 m
- Loose particle material 84.5 m<sup>2</sup>
- Arenero
- Loses Bodennaterial



— Sol souple 48 m<sup>2</sup>  
Wetpour  
Caucho Continuo  
Synthetischer Fallschutz

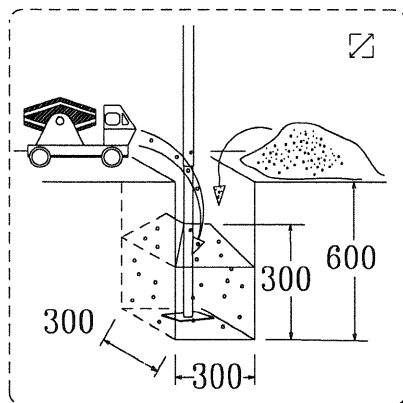
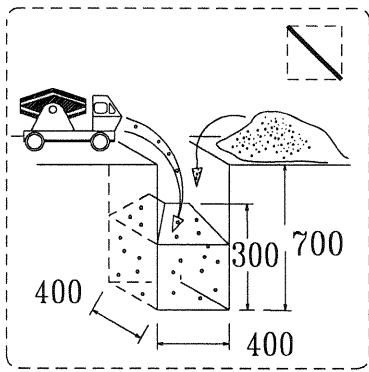
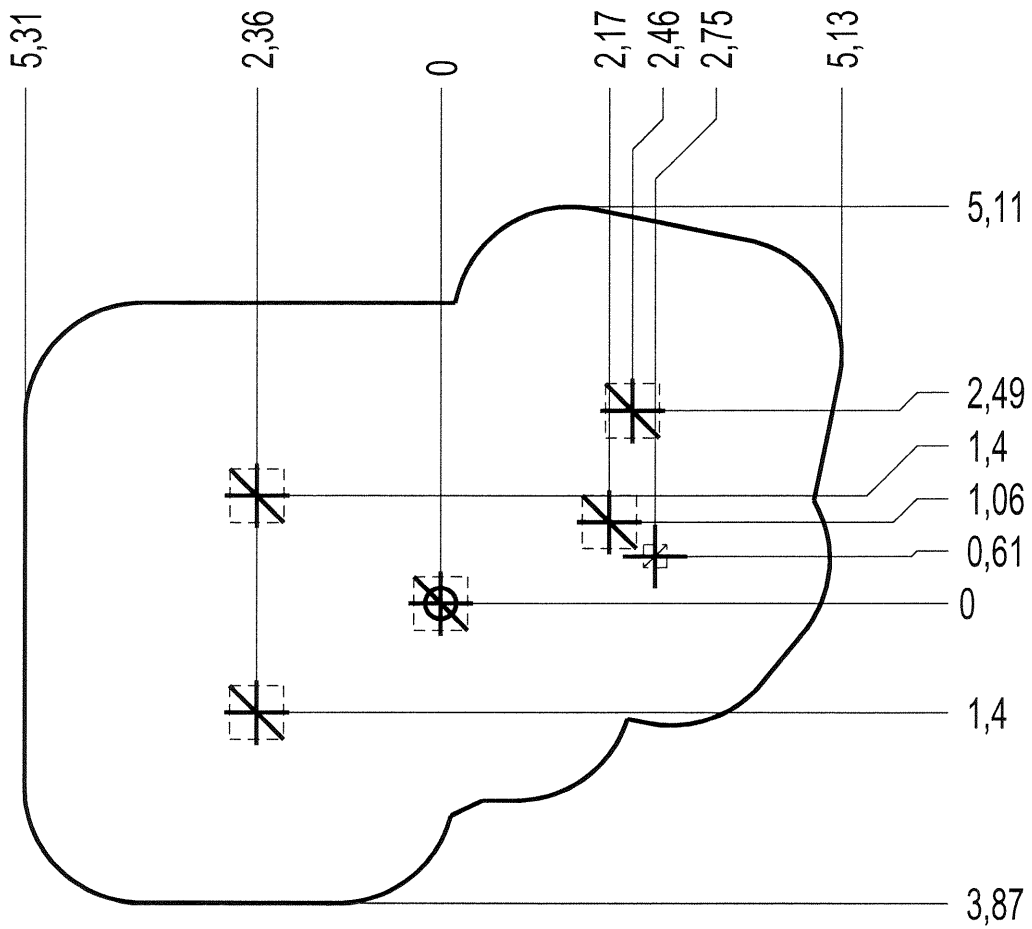







# J48203A

*Proludic*

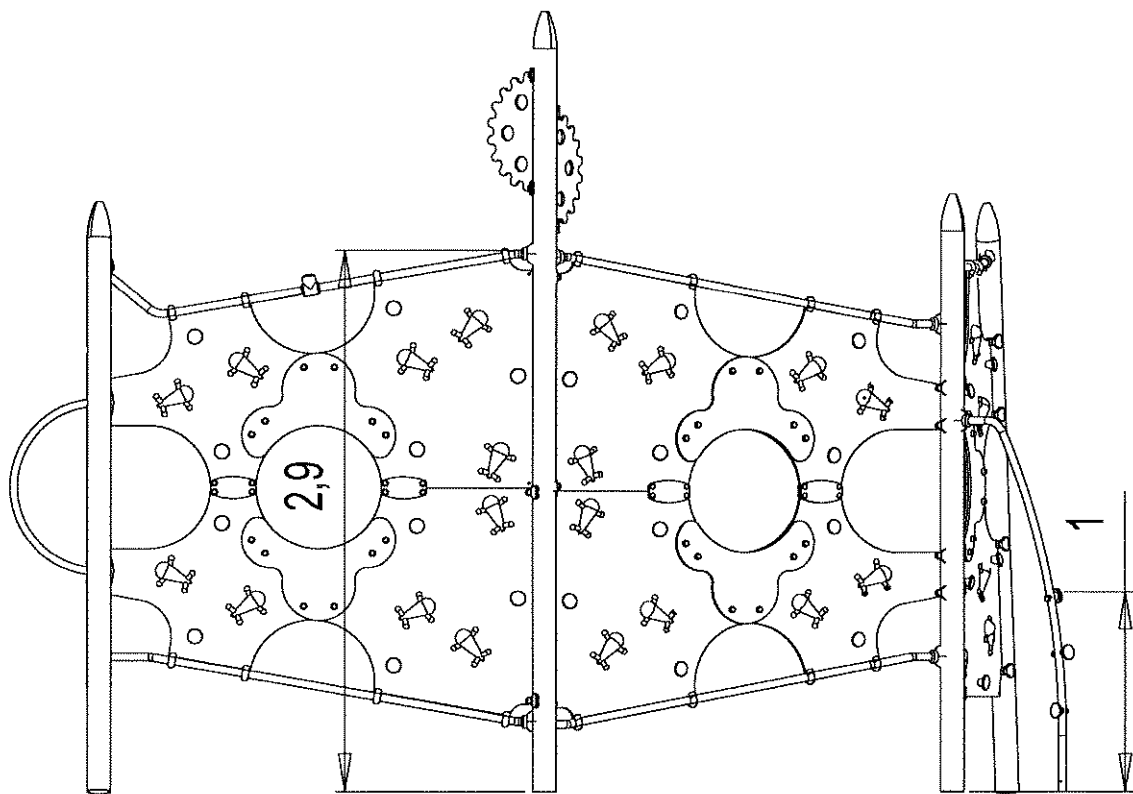
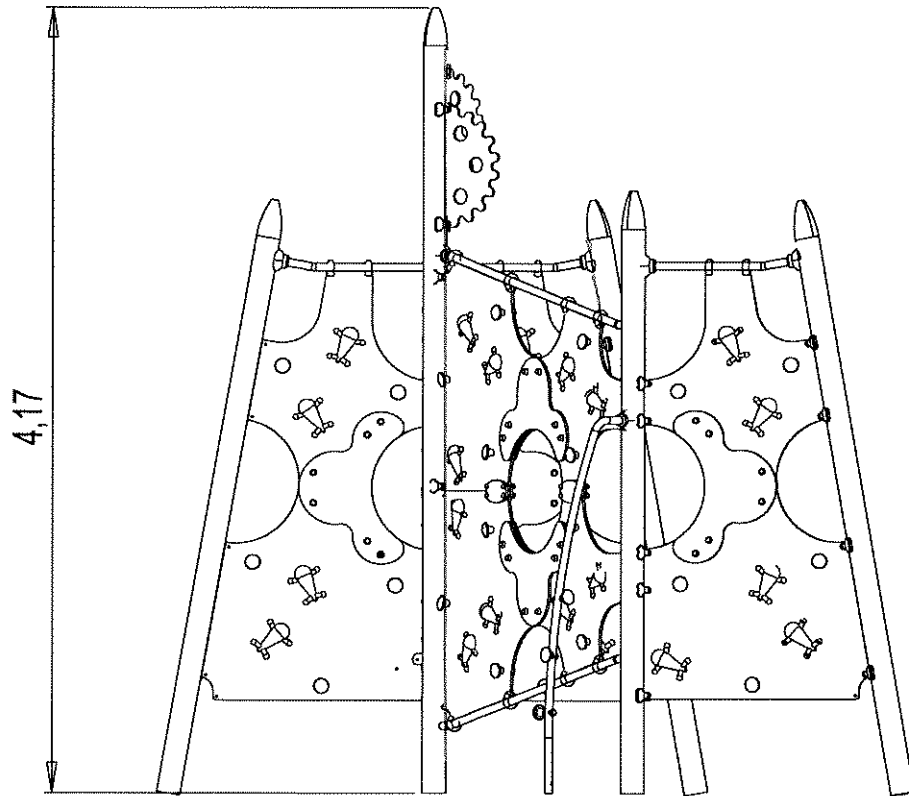
Implantation  
 Footing plan  
 Implantación  
 Fundamentplan

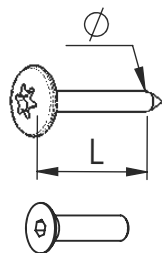


 x4	 8H	 0.3m <sup>3</sup>
---	--	---

J48203

*Proludic*





VBT 6 x 30  
 $\varnothing$   $\uparrow$  L (mm)

VFHC



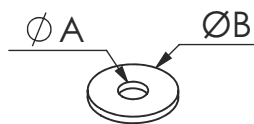
VEC M10  
 $\varnothing$



VEF



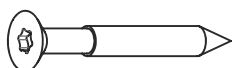
VEB



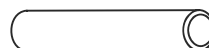
VR6x18  
 $\varnothing A$   $\varnothing B$

**1000 - 1800 tr/min**  
 Vitesse de rotation  
 Rotation speed

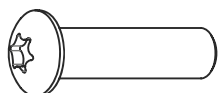
**14 N.m**  
 Couple de rupture  
 Torque of break



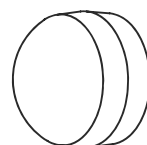
VWT



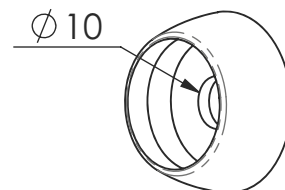
VGC



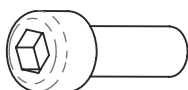
VCBHC



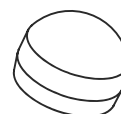
M10 440N



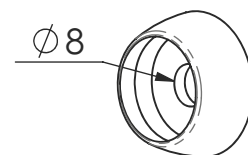
M10 310 N



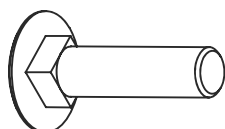
VBTR



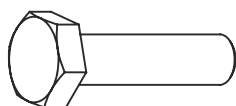
M8440N



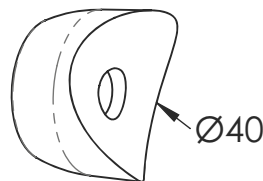
M8310N



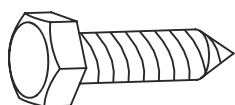
VTRCC



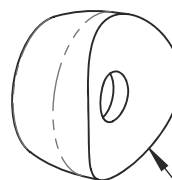
VTH



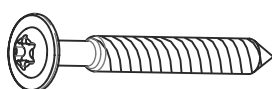
MI2503



VTF

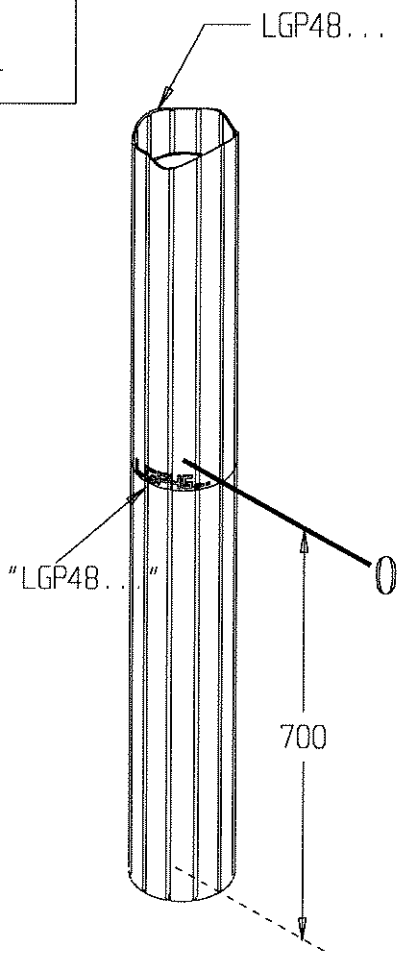


MI2701

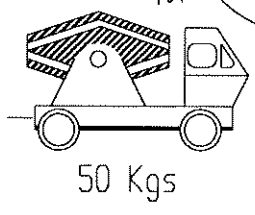
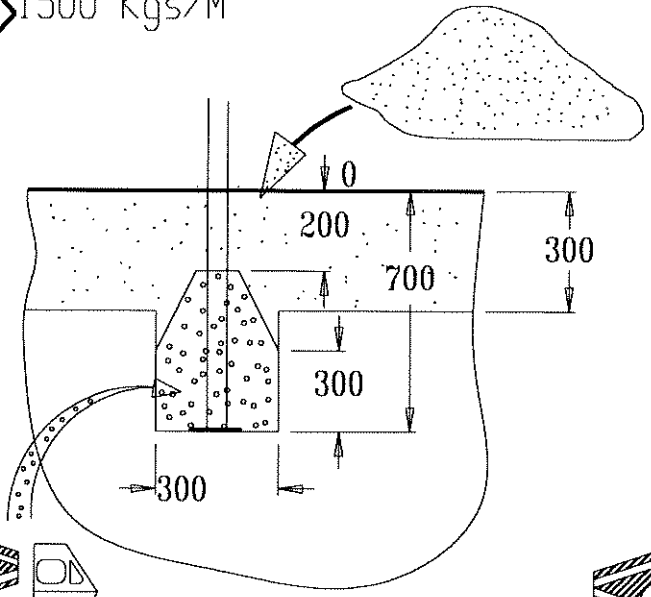


VBT

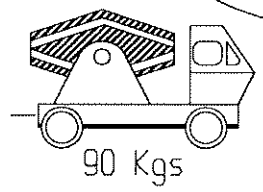
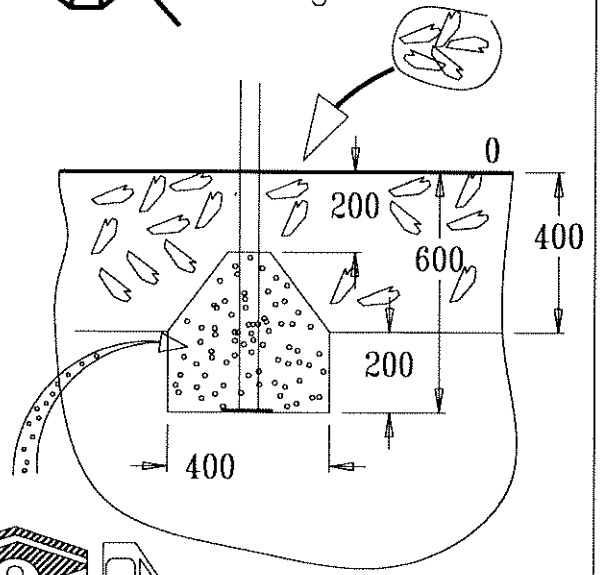
A

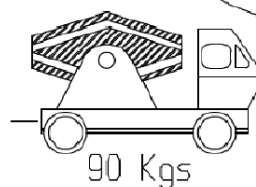
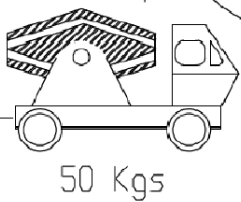
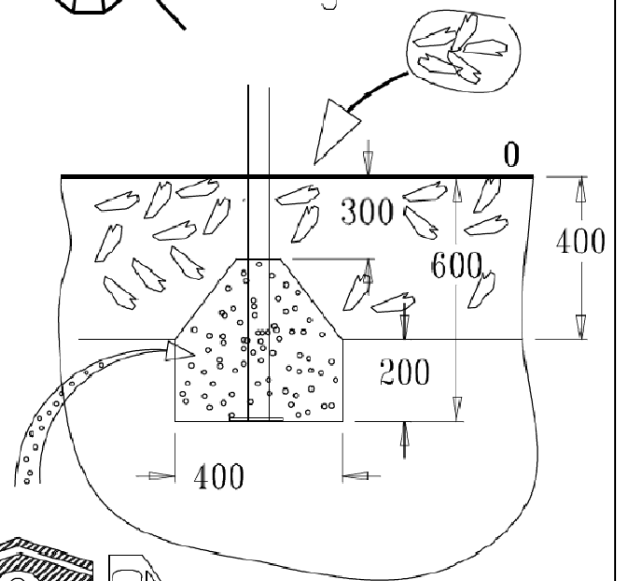
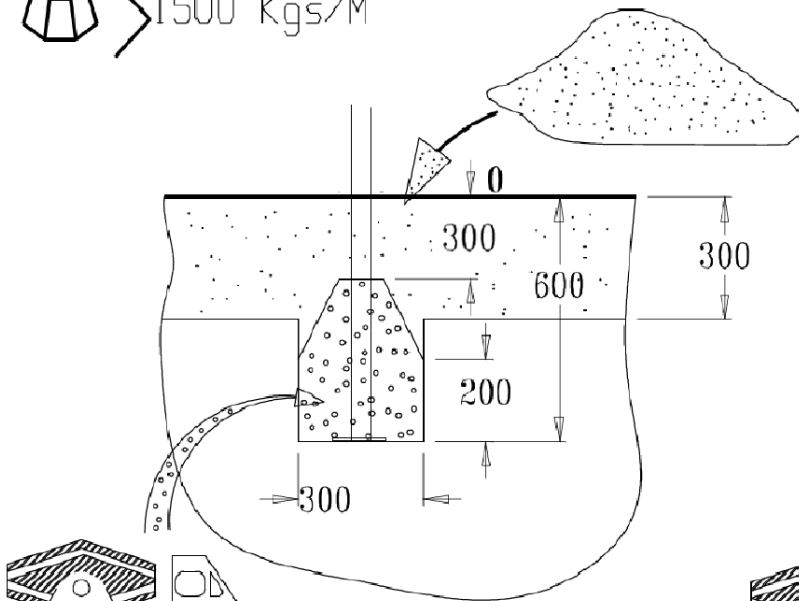
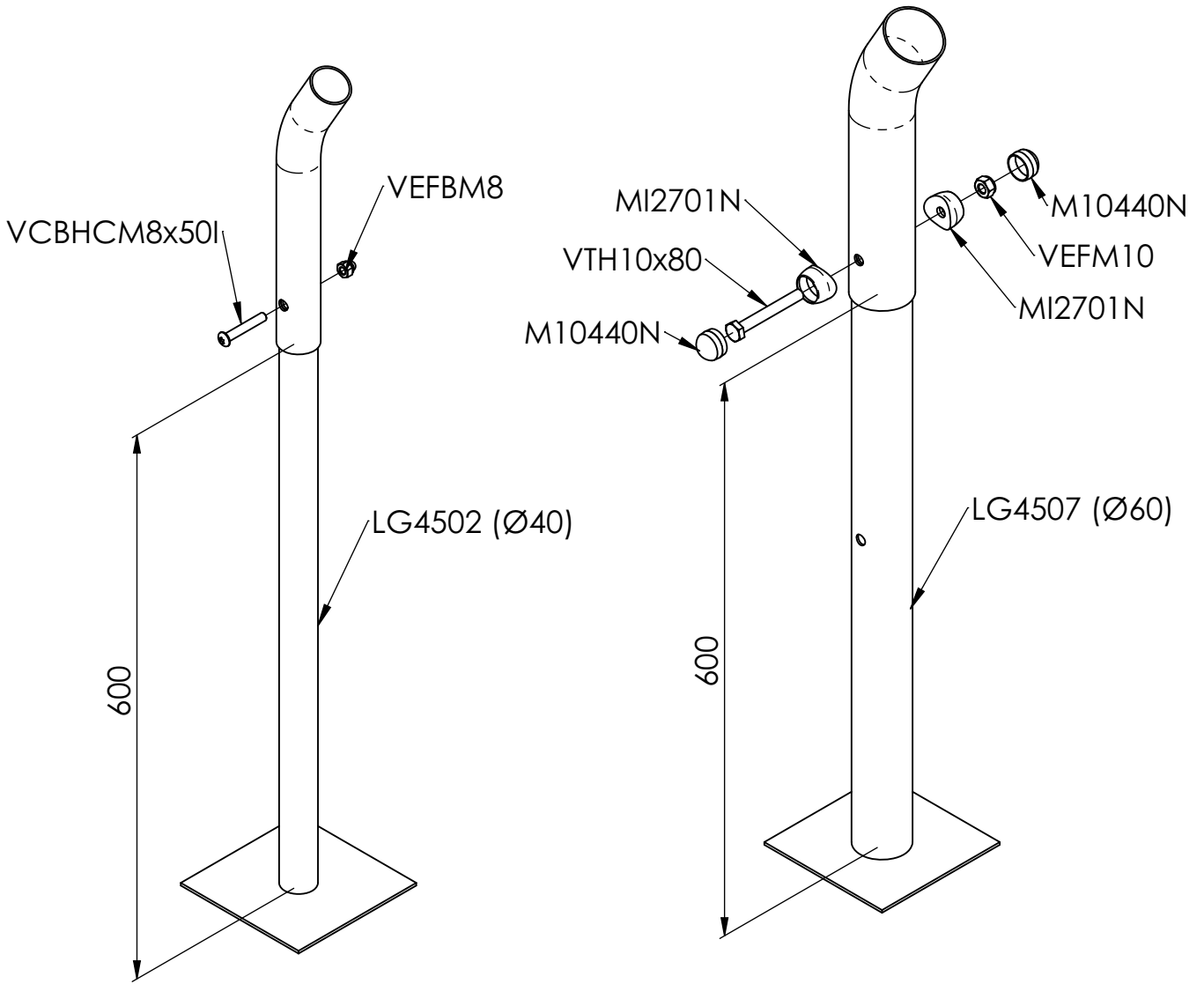


 > 1500 Kgs/M<sup>3</sup>



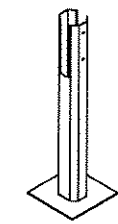
 < 1500 Kgs/M<sup>3</sup>





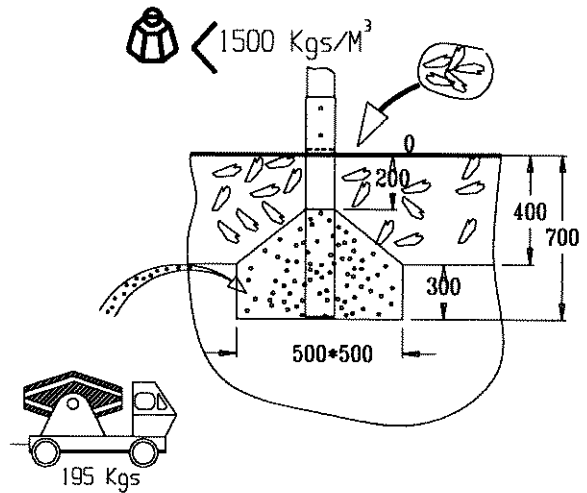
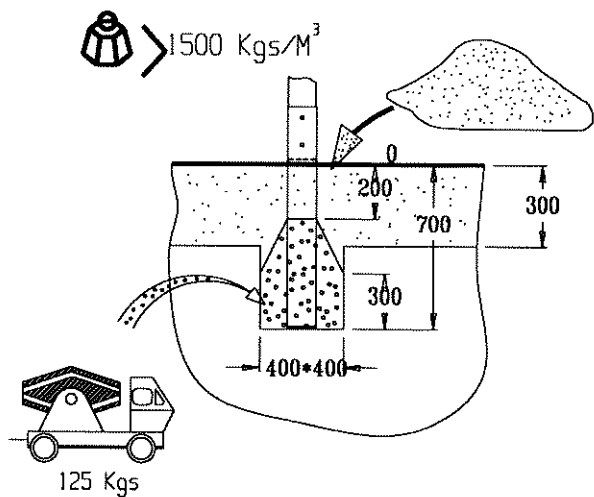
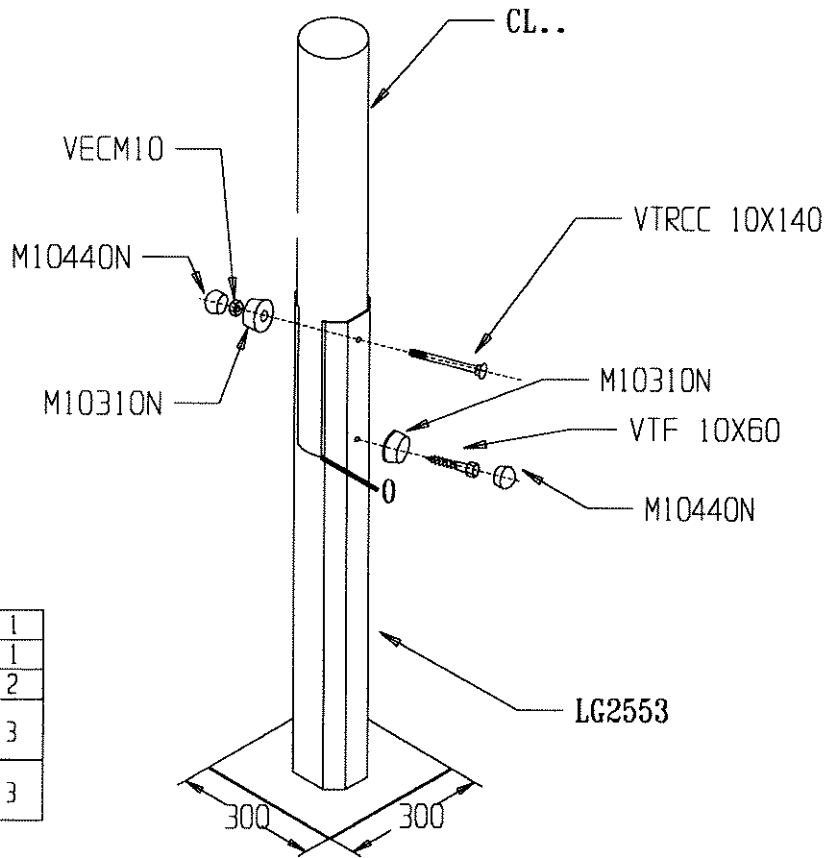
# A

*ProLudic*

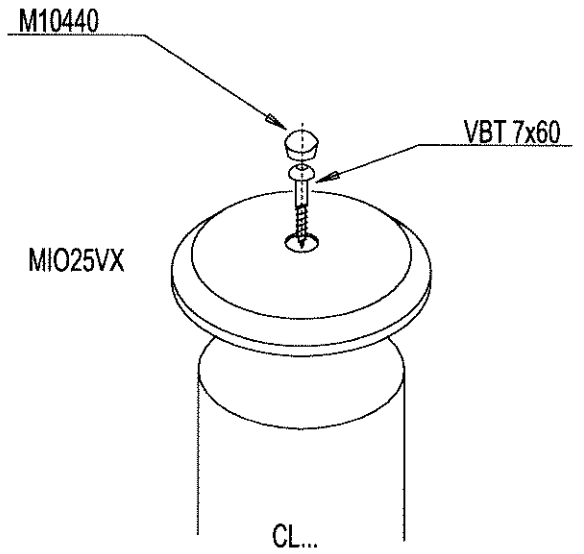
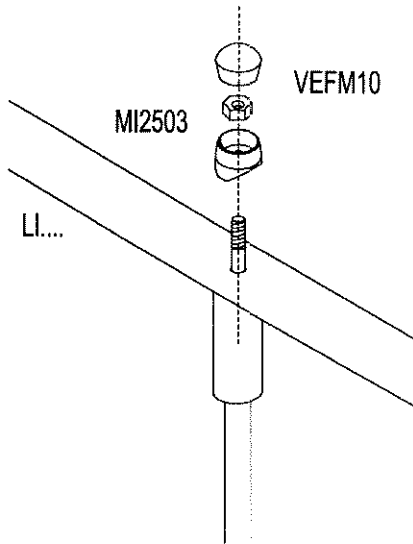


LG2553

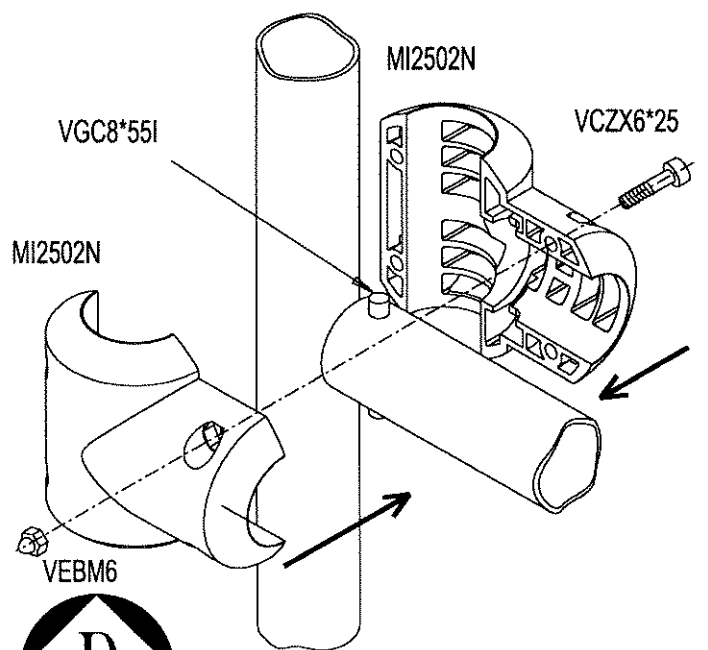
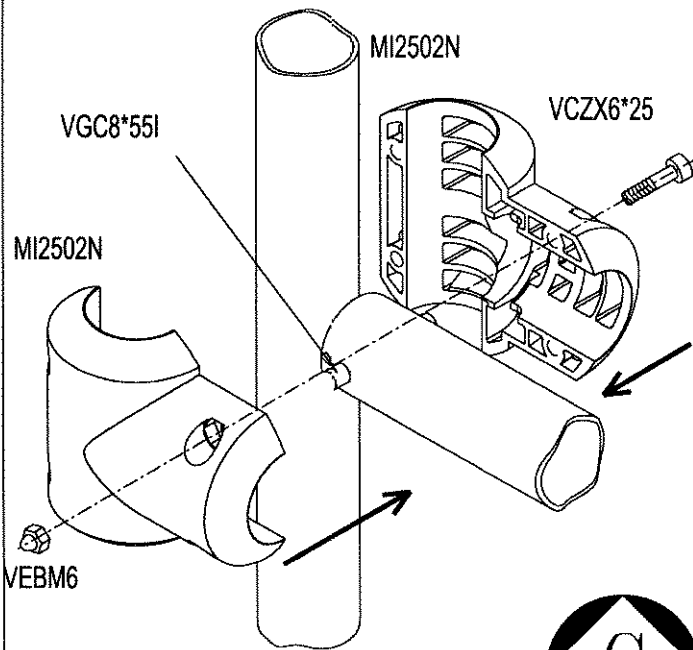
	VTRCC 10x140	1
	VECM10	1
	VTF 10x60	2
	M10310N	3
	M10440N	3



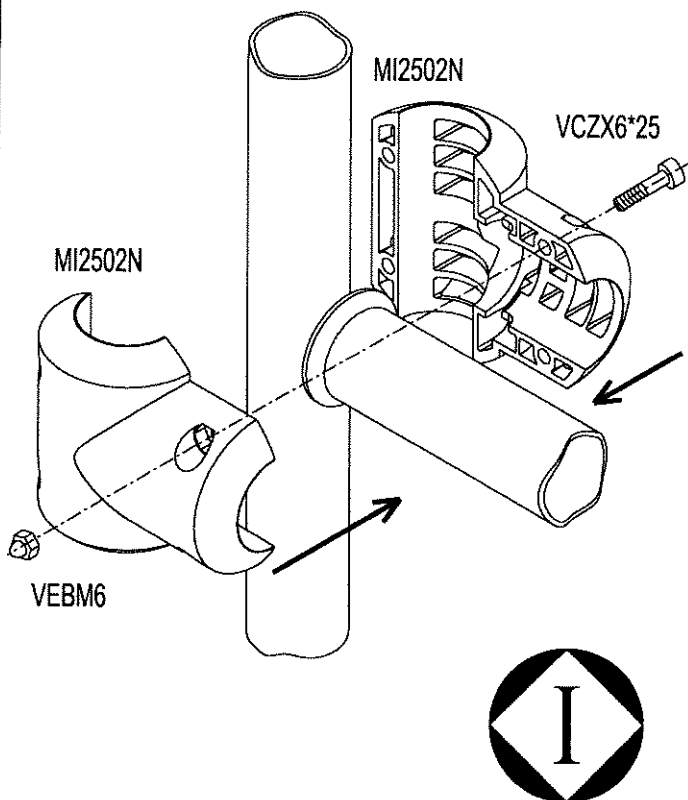
04-05-10



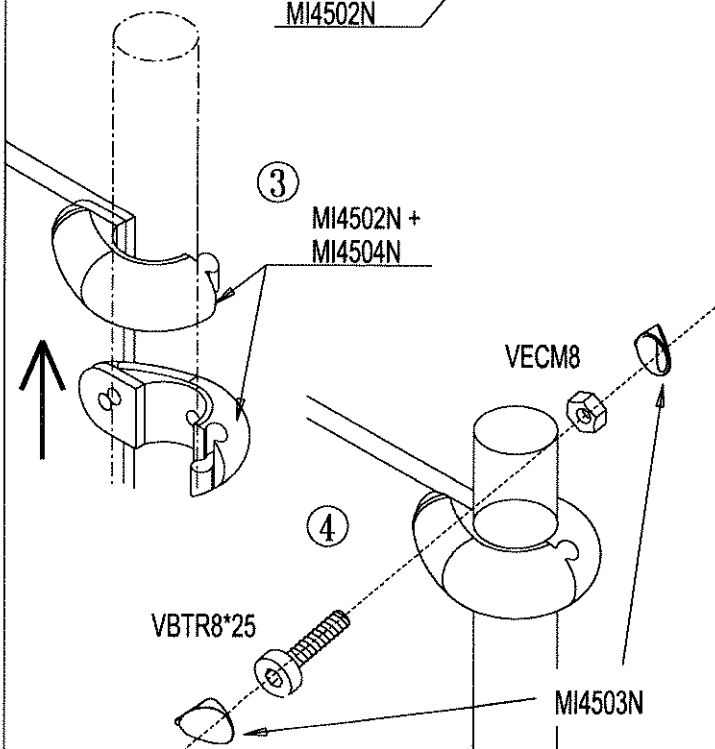
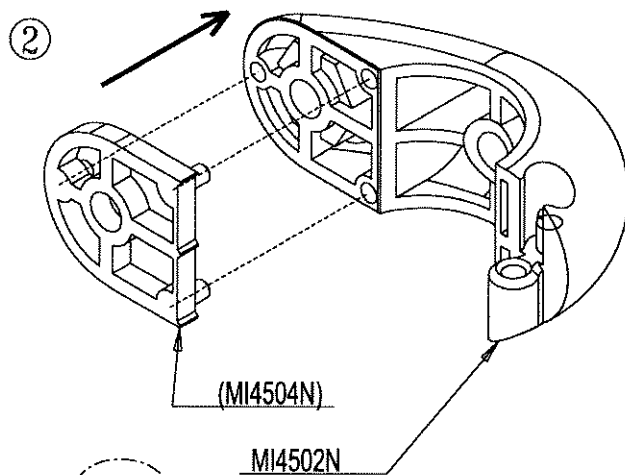
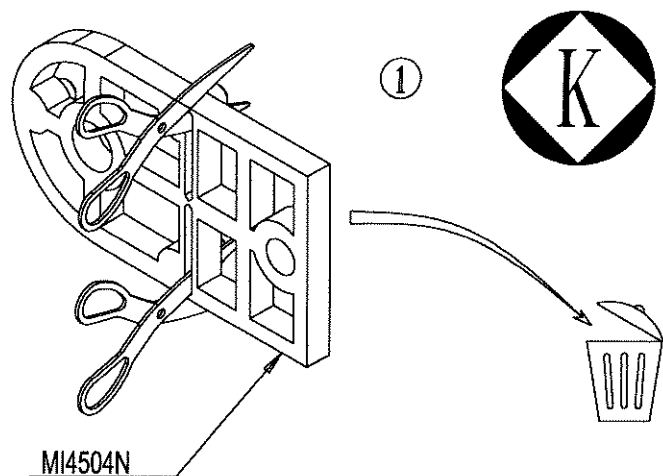
MI2502N + VGC8\*55I



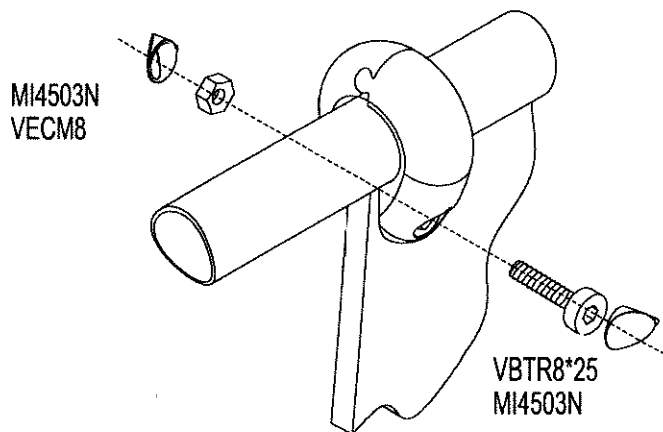
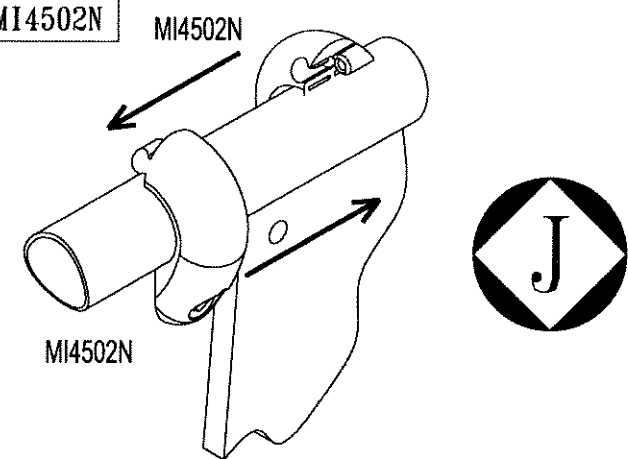
MI2502N



MI4502N + MI4504N



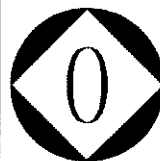
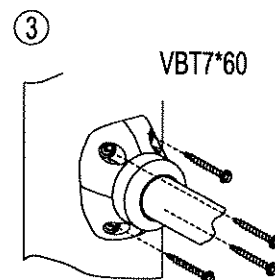
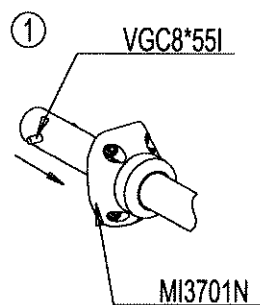
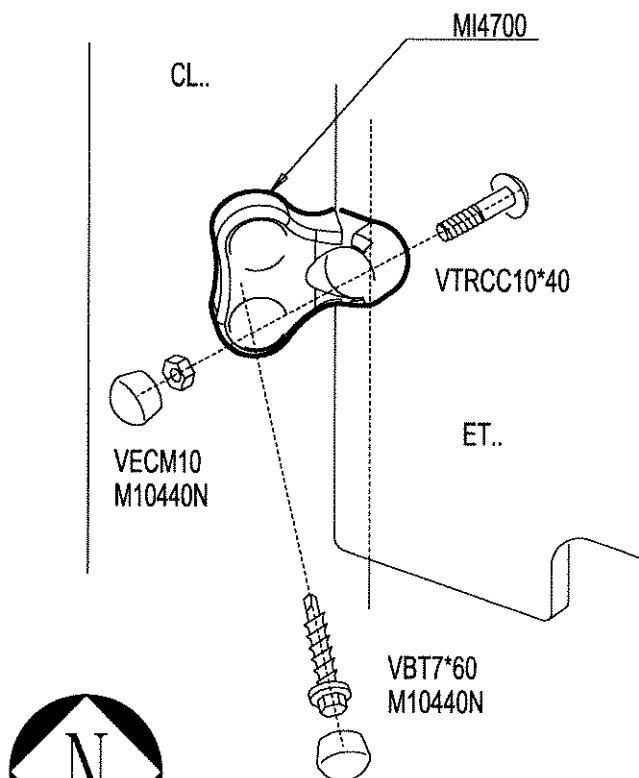
MI4502N



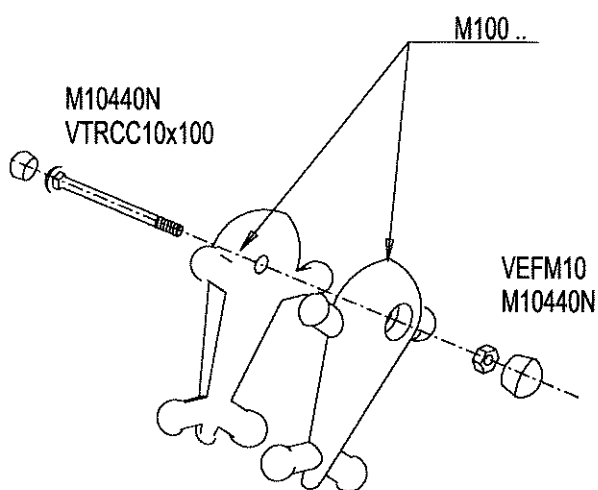
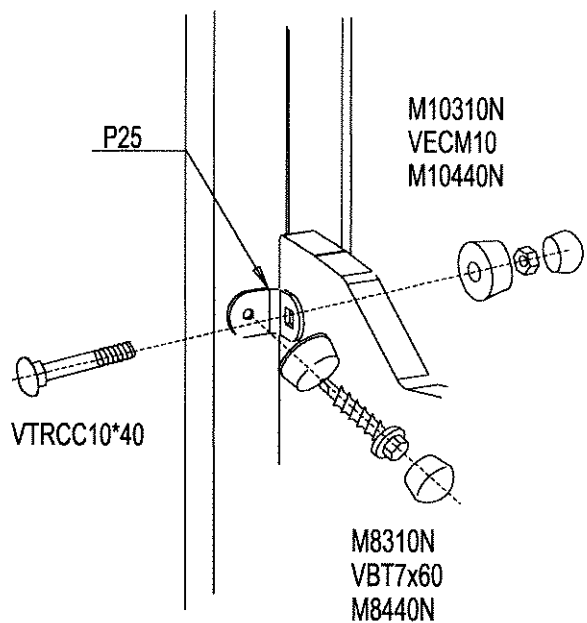


MI4700

MI3701N



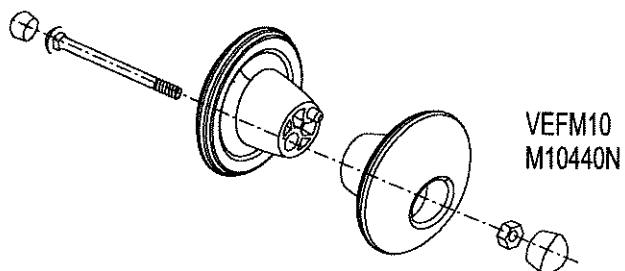
M100..



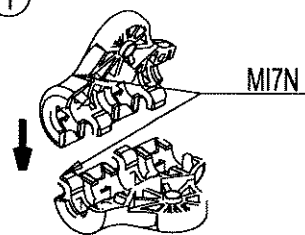
MI4700

MI3701N

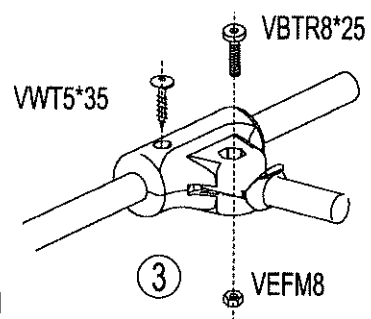
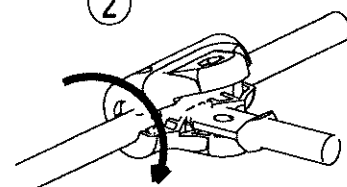
M10440N  
VTRCC10x100

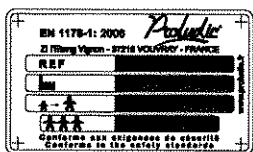


①



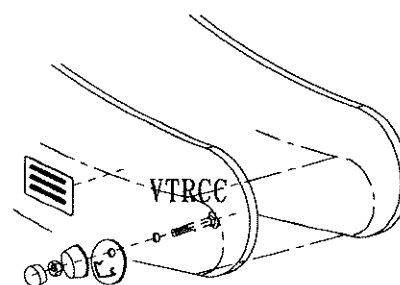
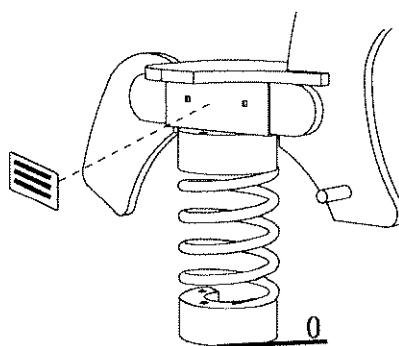
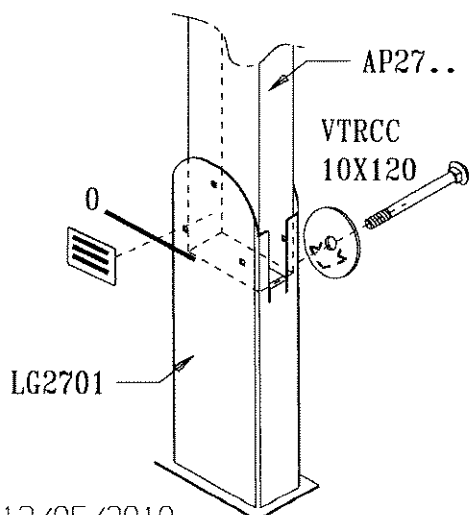
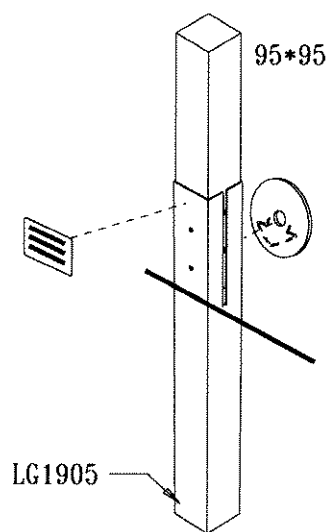
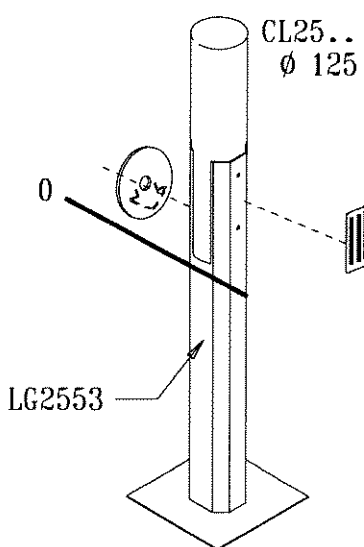
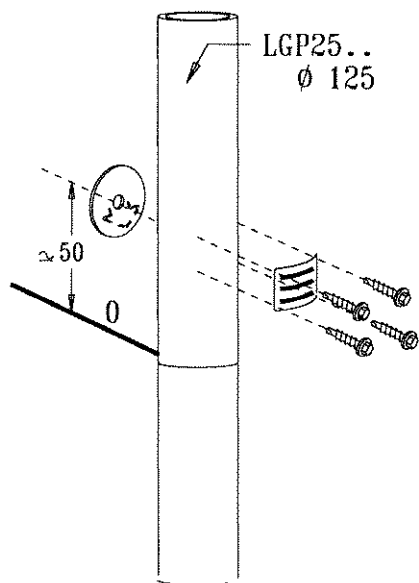
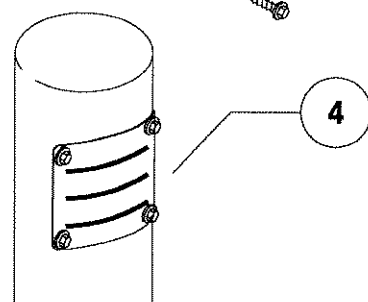
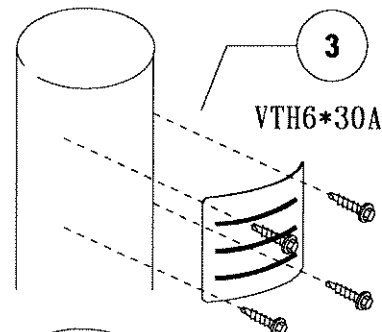
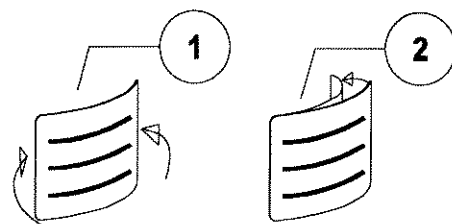
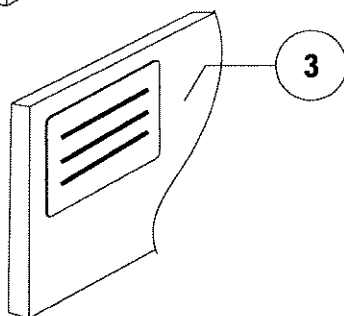
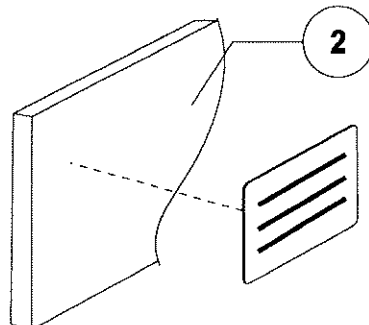
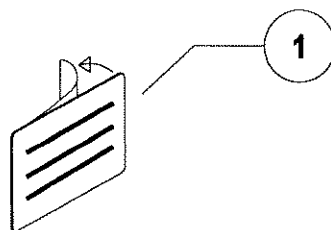
②

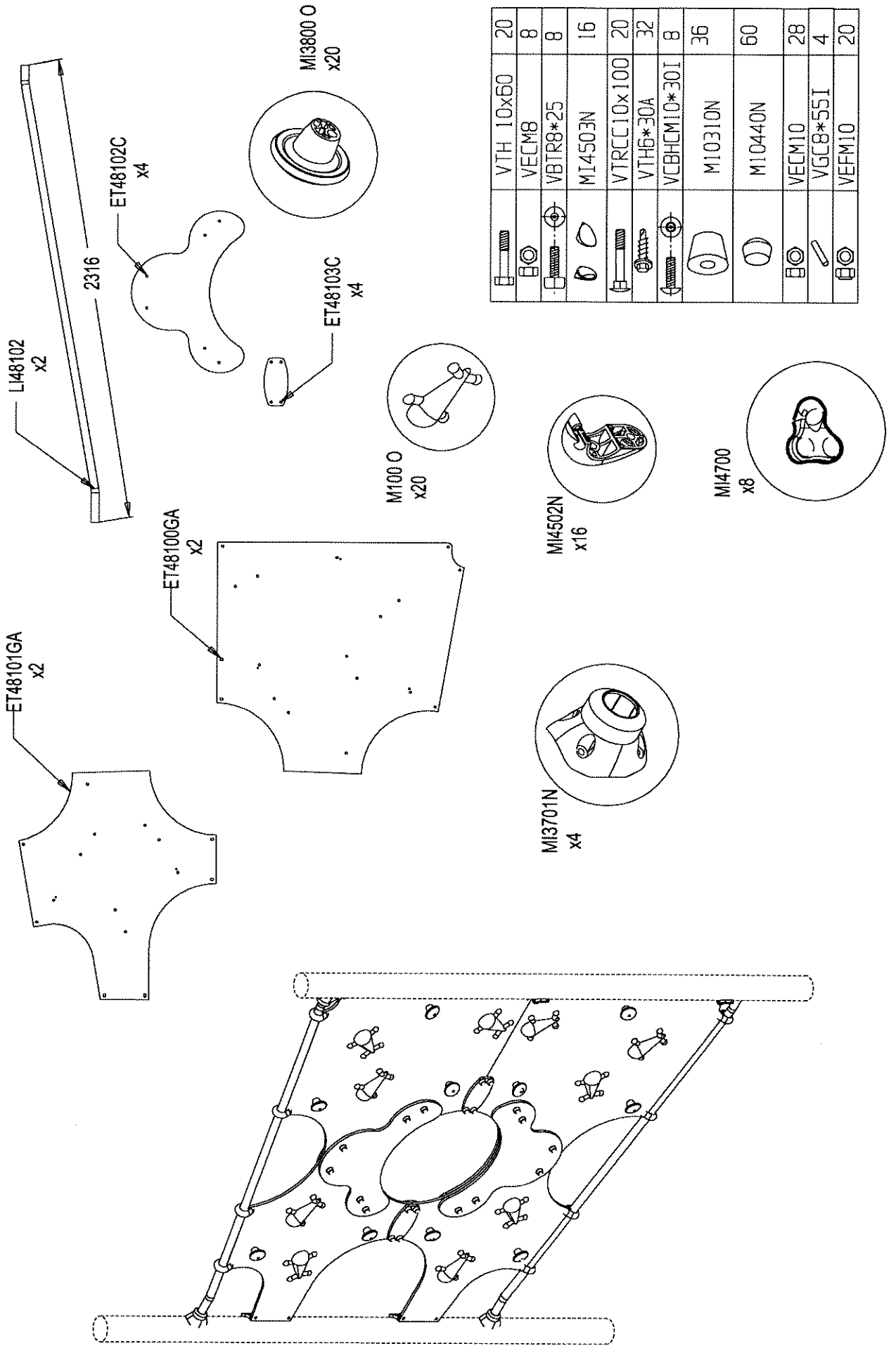


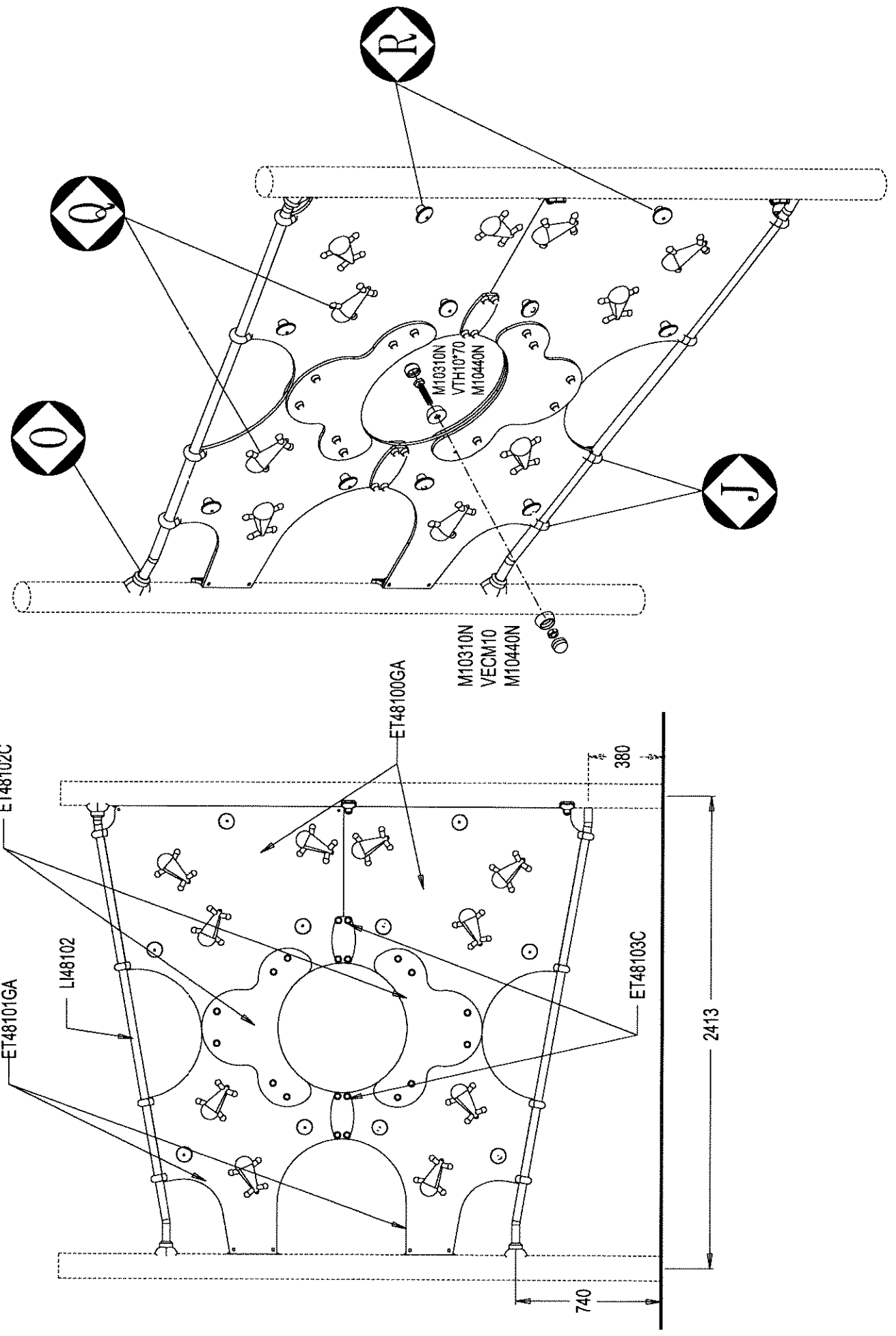


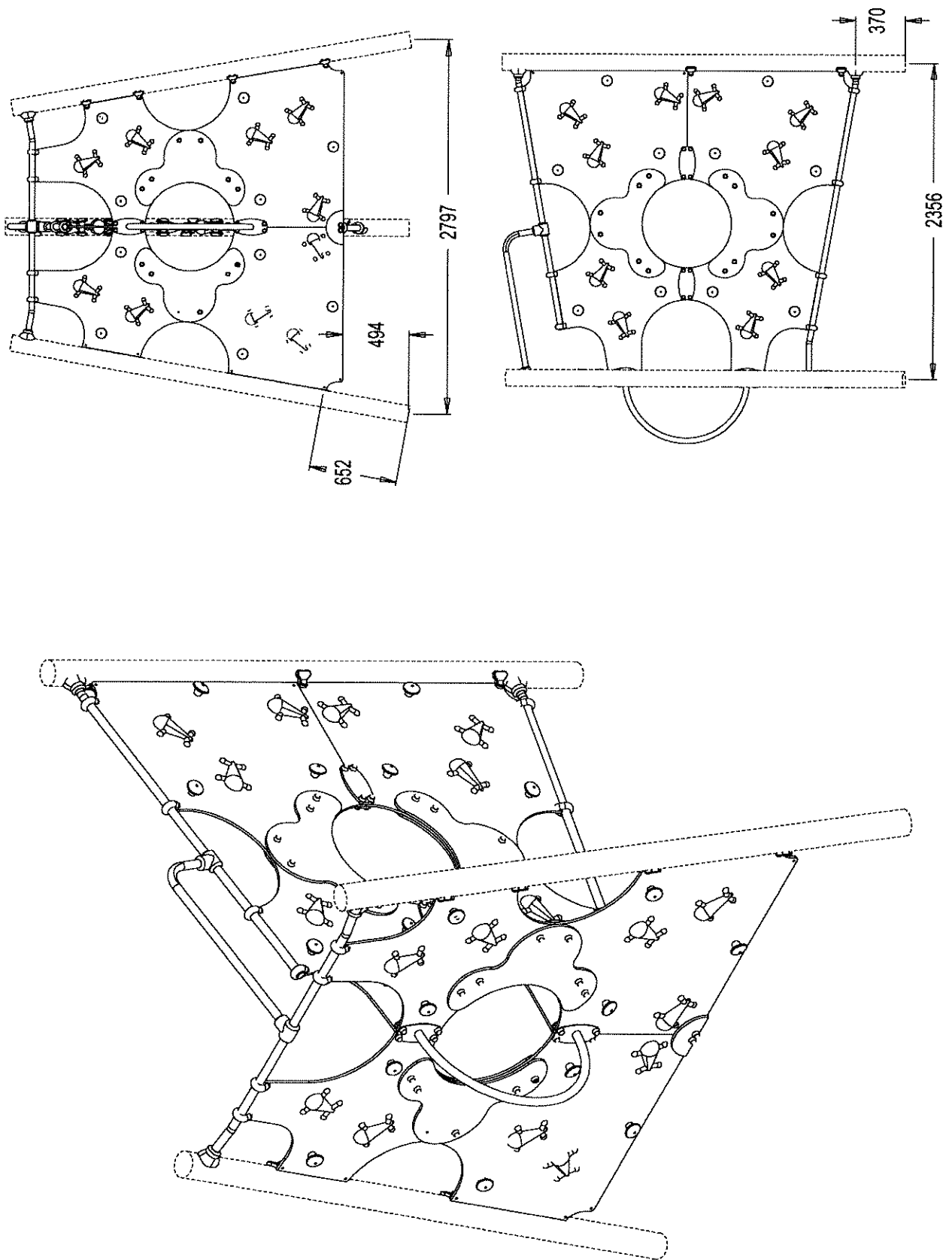
LA000

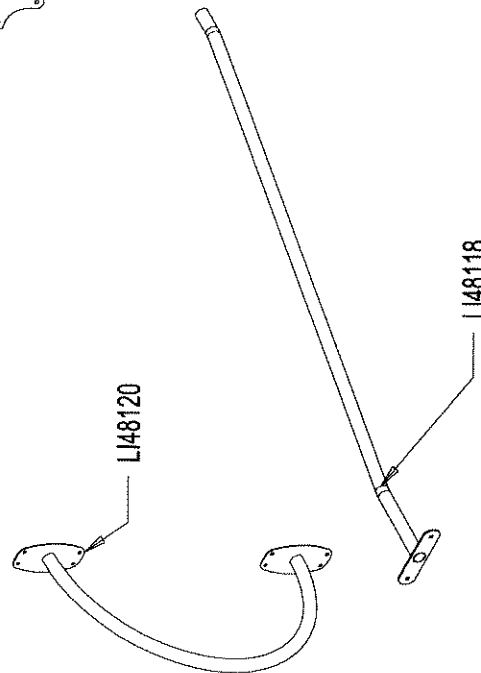
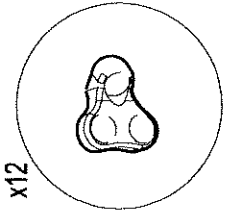
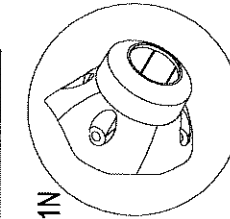
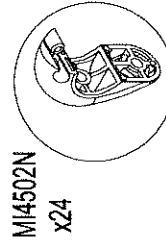
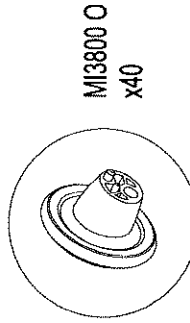
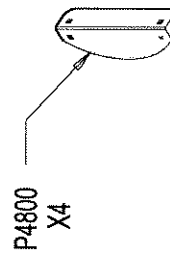
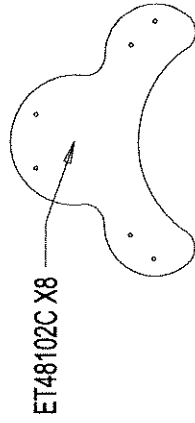
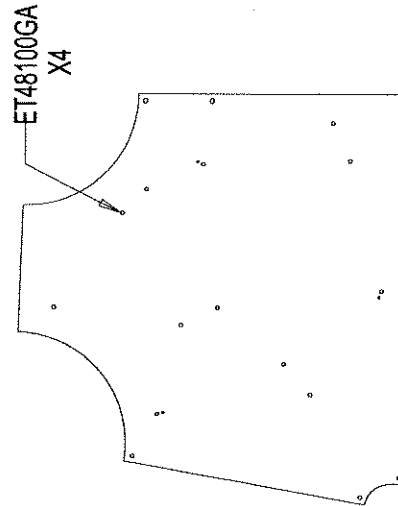
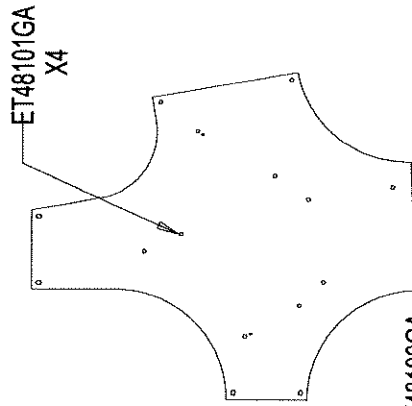
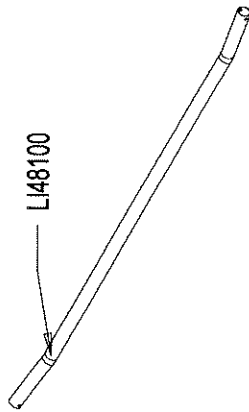
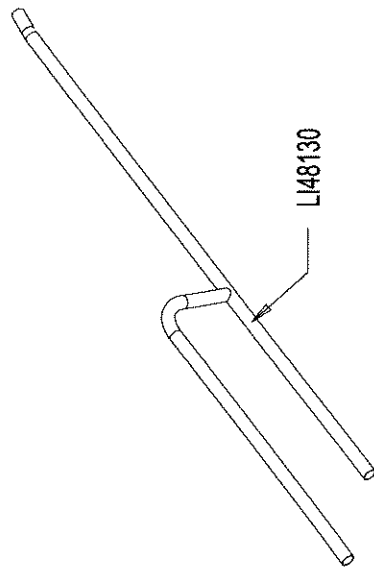
MI0002



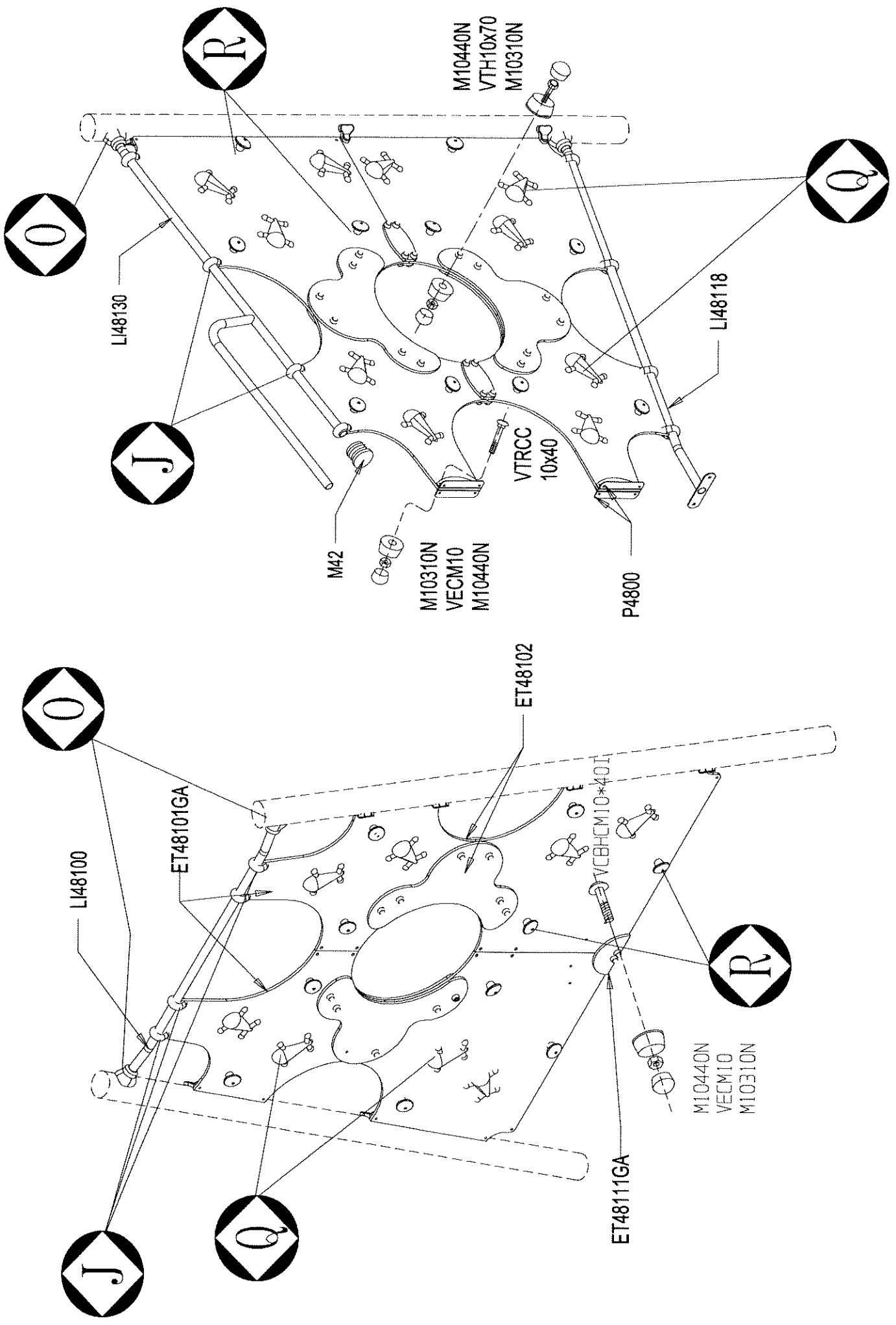




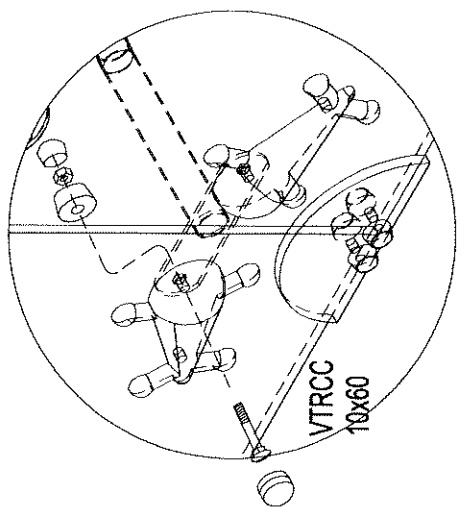
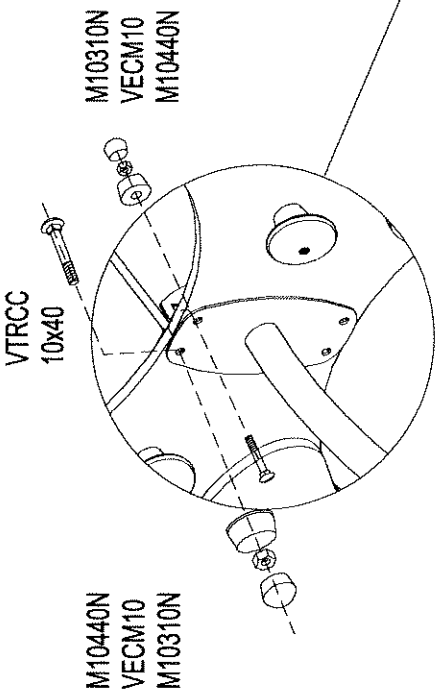
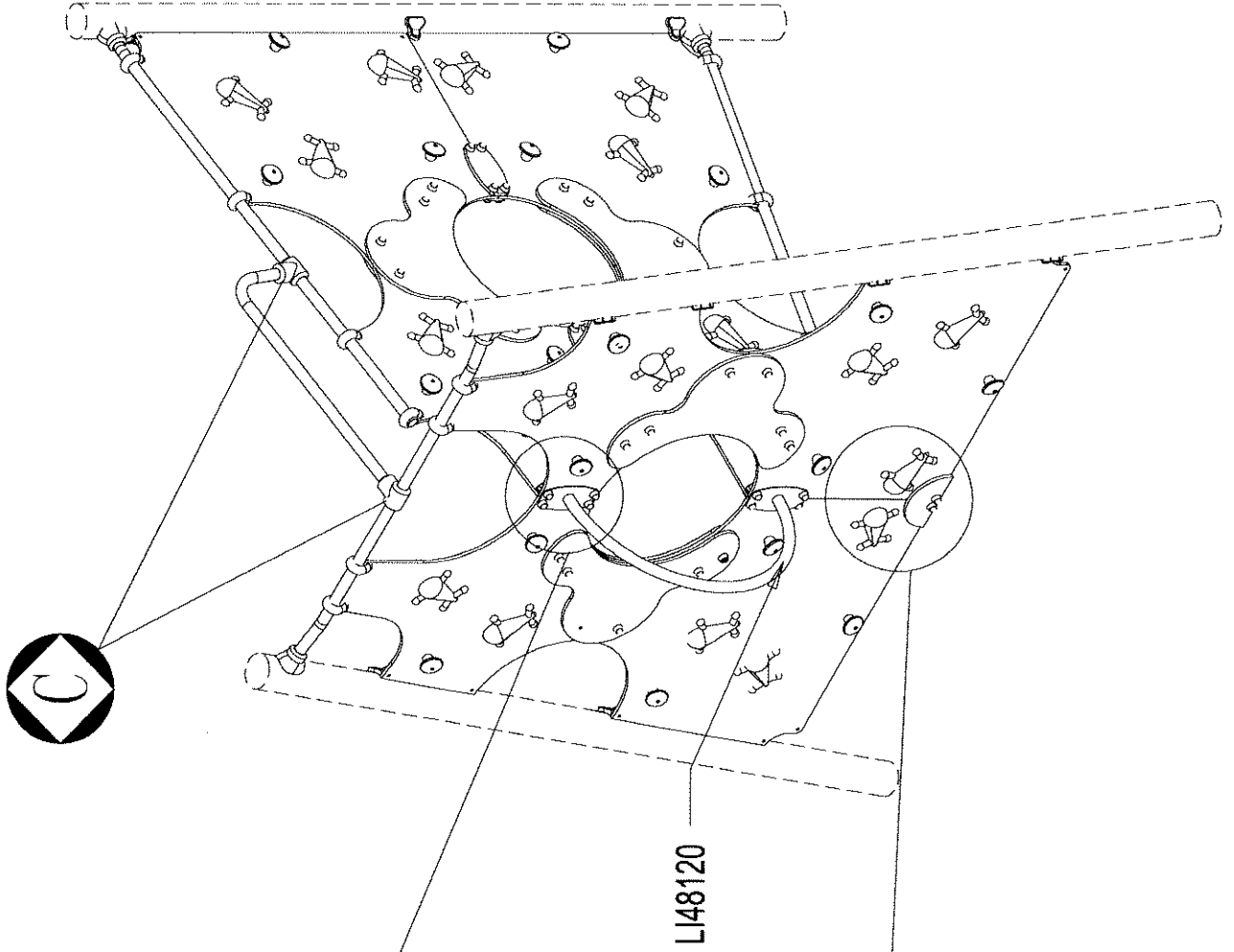


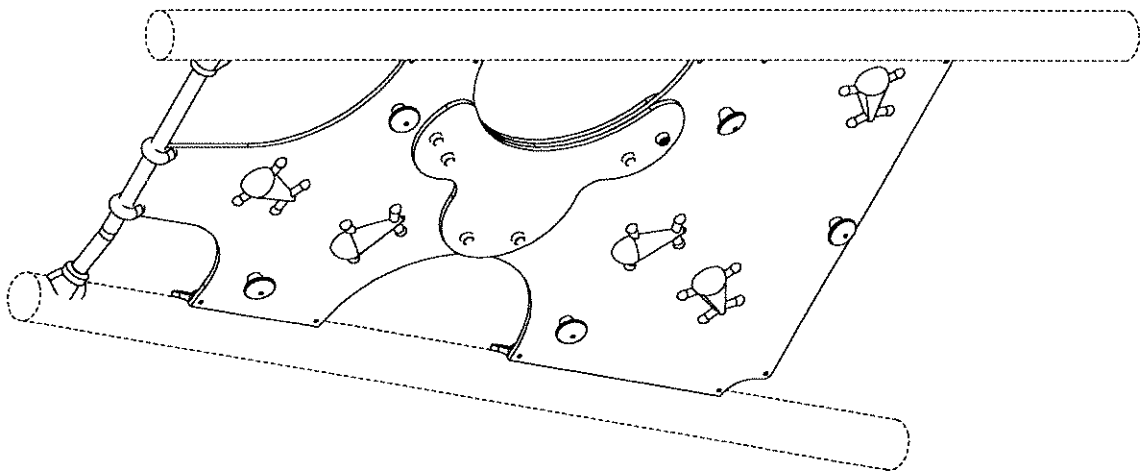


	VTH 10x60	32
	VCZX 6x25	8
	VEBM6	8
	VECM8	12
	VBTR8*25	12
	MI4503N	24
	VTRCC10x100	39
	VTRCC10x40	14
	VTH6*30A	40
	VCBHCMI0*30I	12
	MI0310N	78
	MI0440N	192
	VECM10	58
	VGC8*55I	2
	VTRCC10x60	2
	VEFM10	39
	M42	1

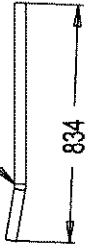




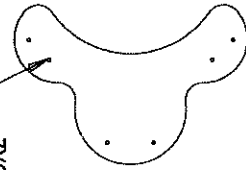




LI48117



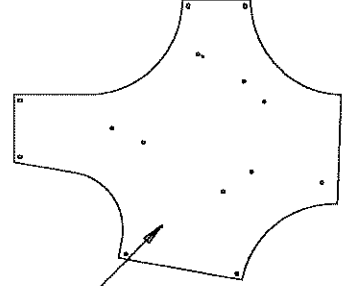
ET48102CX2



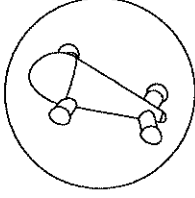
ET48100GA



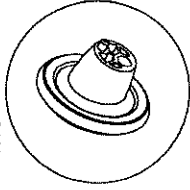
ET48101GA



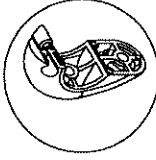
M100DF  
X10



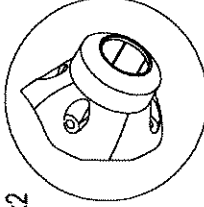
M13800 O  
x10



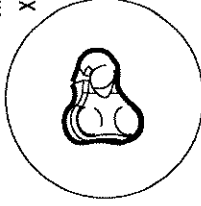
M14502N  
x4



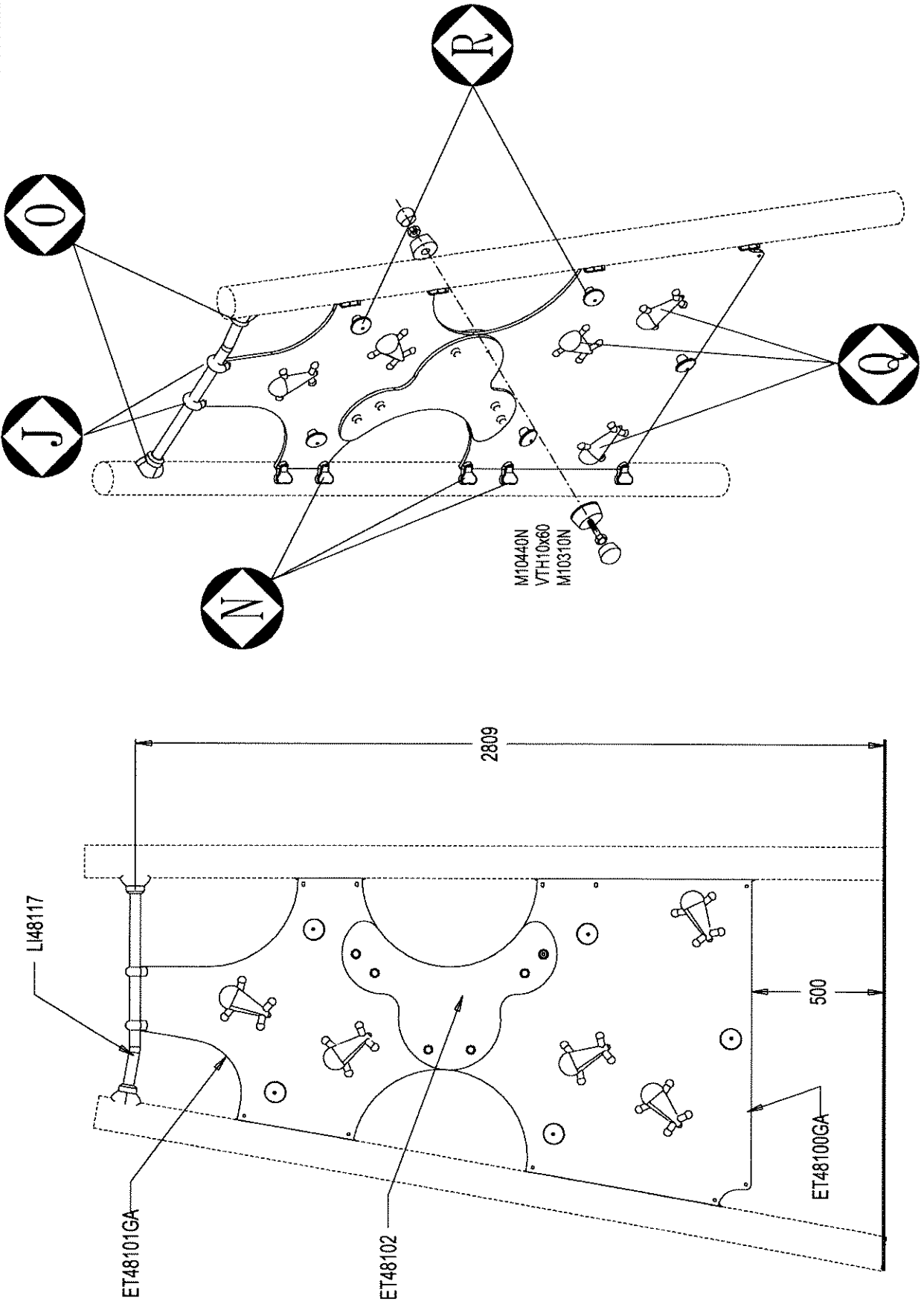
M13701N  
x2

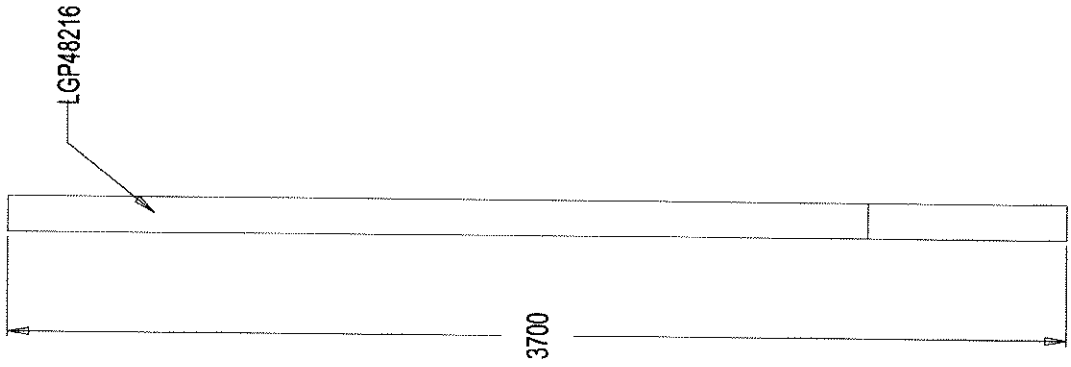
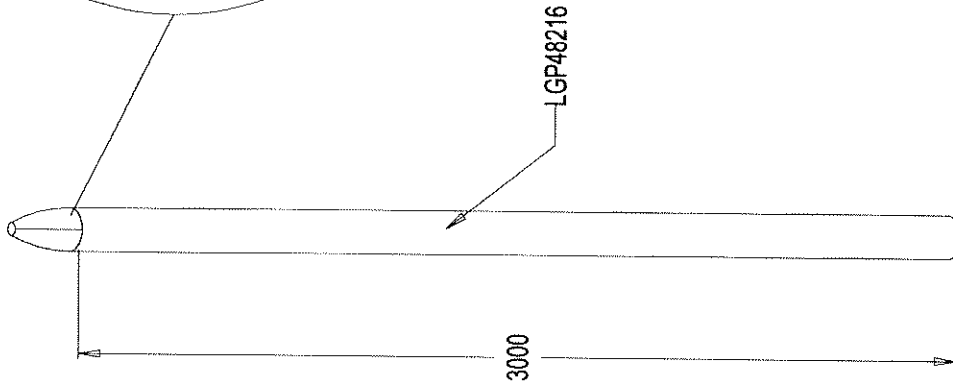
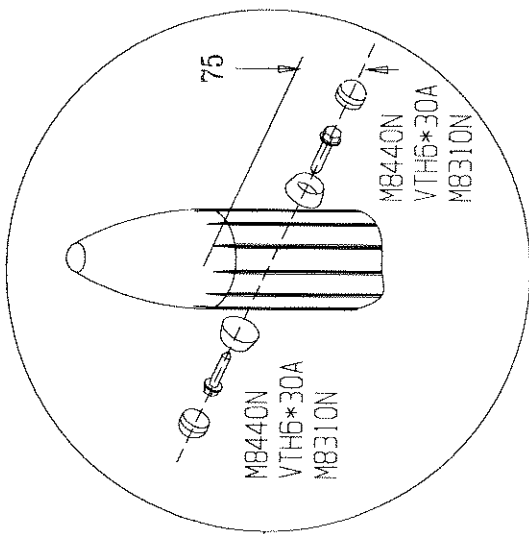


M14700  
x9

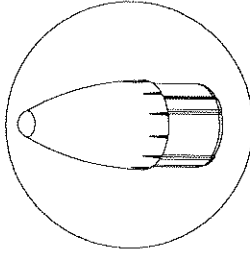


	VTH 10x60	6
	VECM8	2
	VBTR8*25	2
	M14503N	4
	VTRCC10x100	10
	VBT 7x60	26
	VCBHC10*30I	9
	M10310N	12
	M10440N	59
	VECM10	15
	VEFM10	10

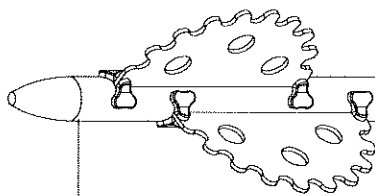




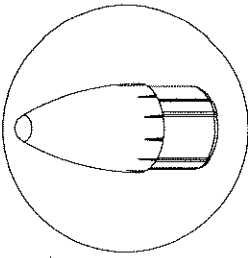
M4500 x1



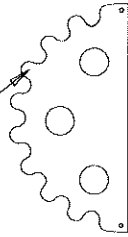
	M8310N	2
	M8440N	2
	VTH6*30A	2



M4500 x1



ET48109GA  
X2

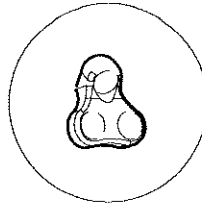


4670

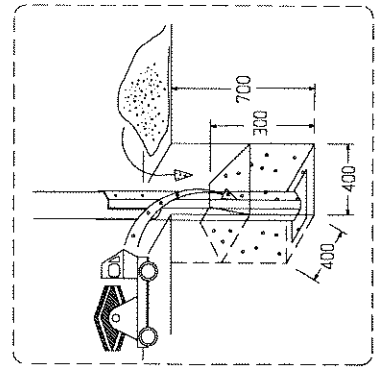
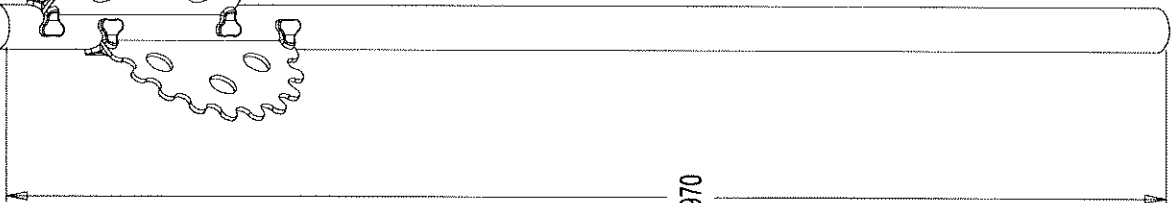


LGP48211

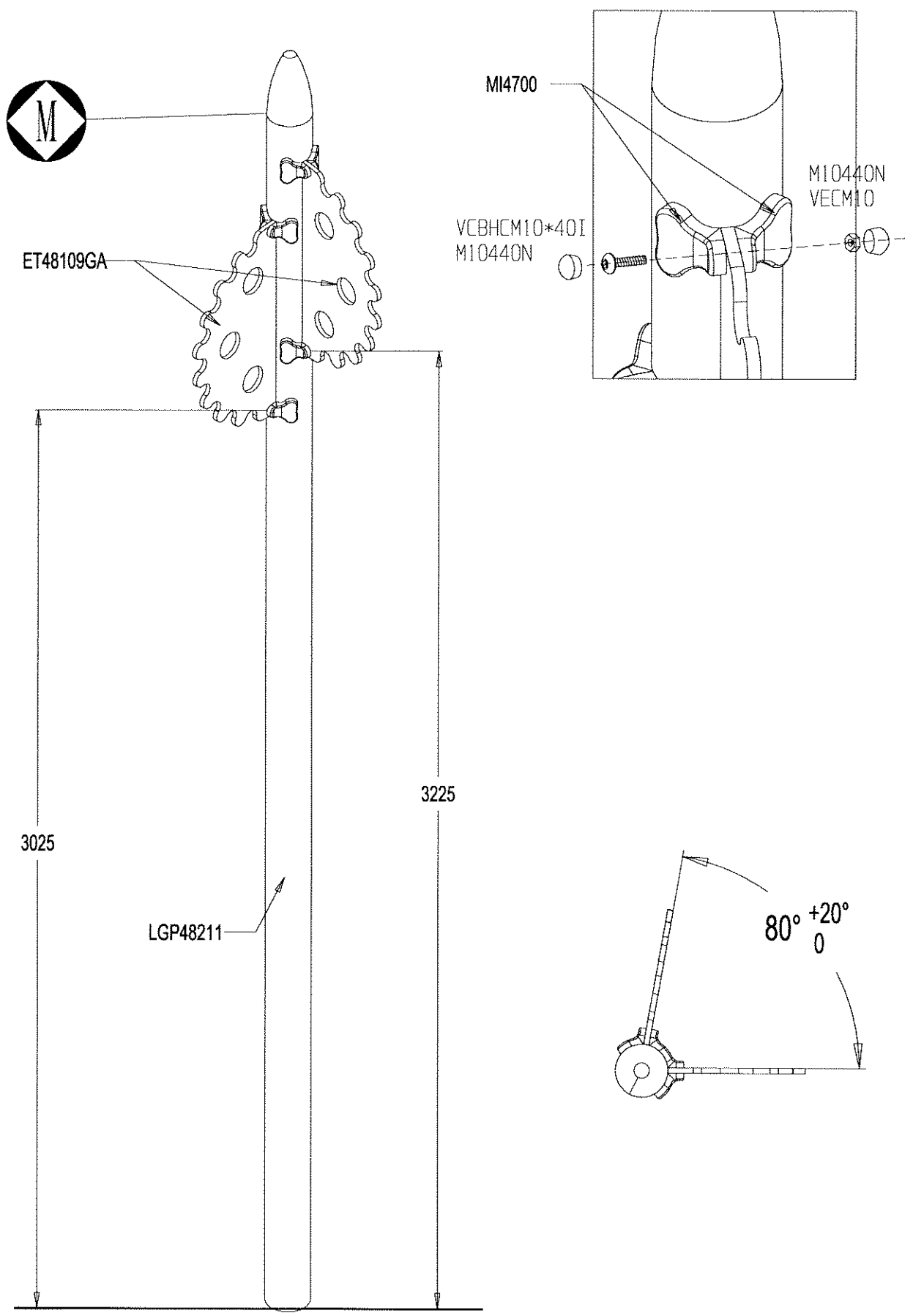
MI4700 X8

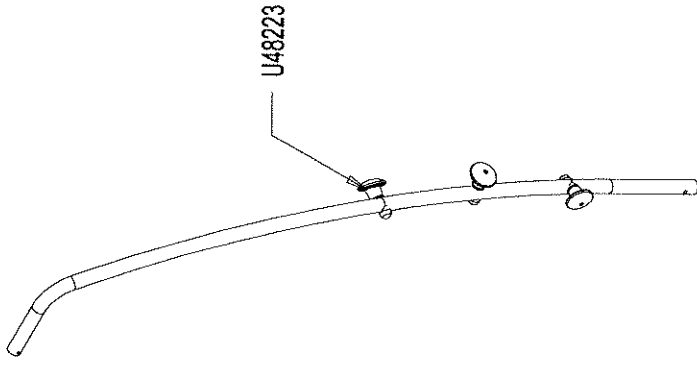
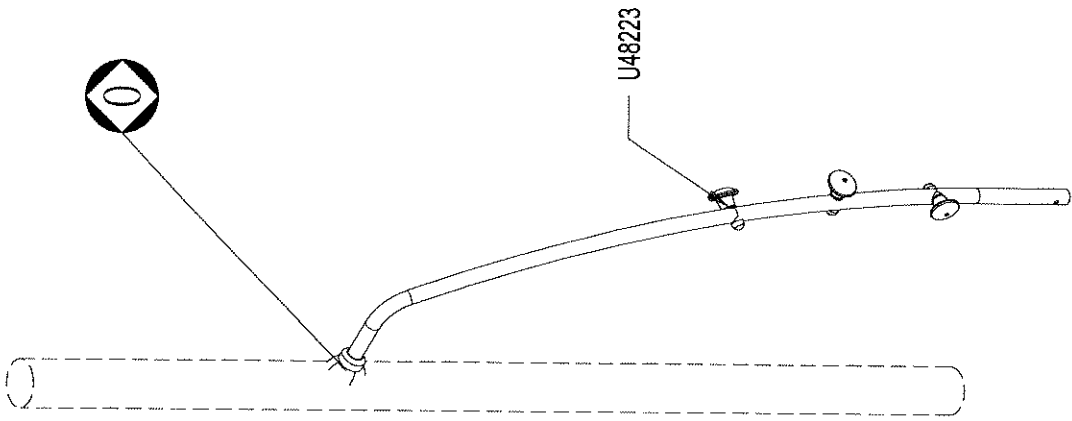



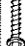

3970



	VCBHCMI0*40I	4
	M10440N	24
	VECM10	4
	M8310N	2
	M8440N	2
	VTH6*30A	18





	VGC8*55I	1
	VTH 6x30A	4
	MI3701N	1