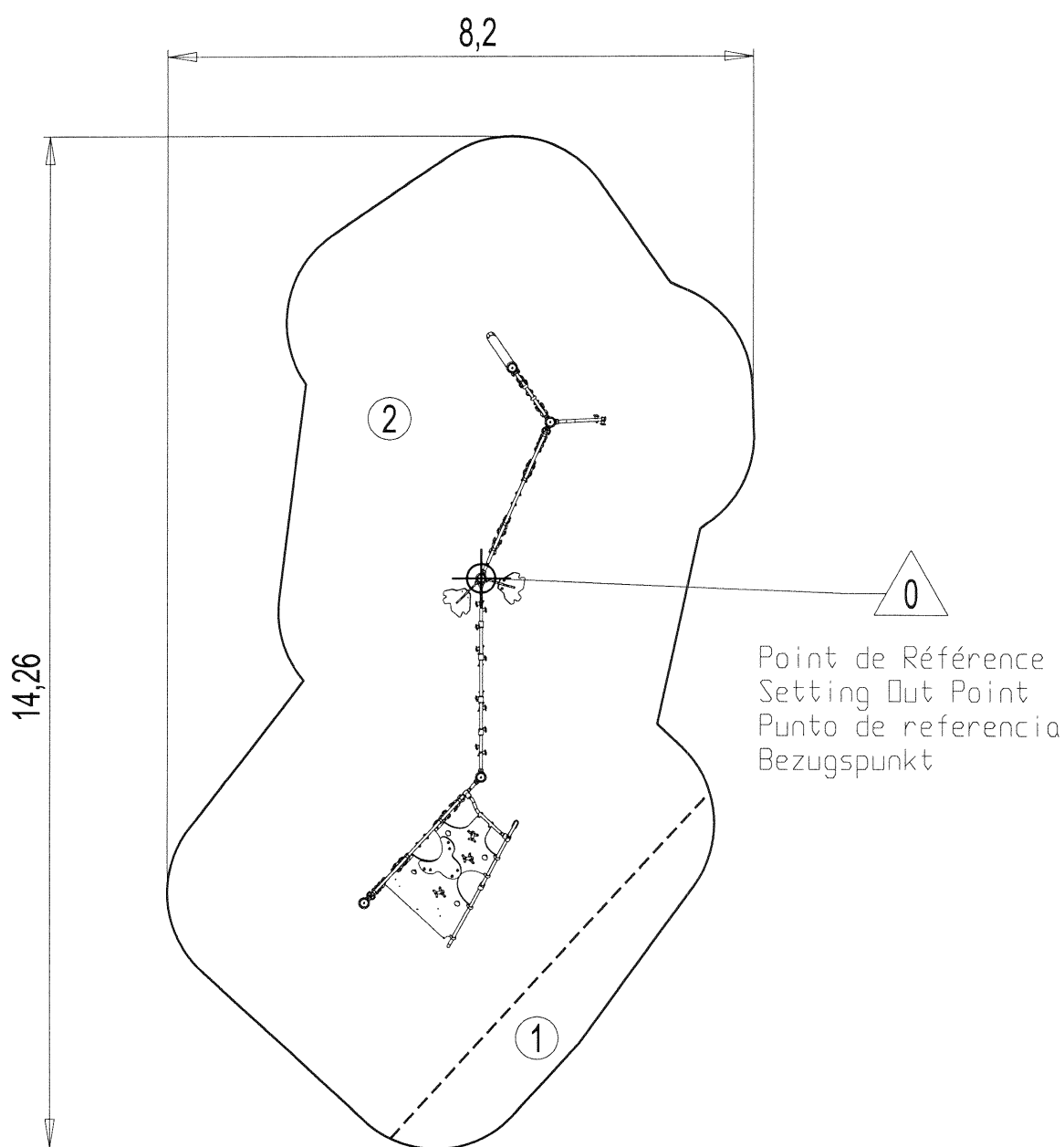


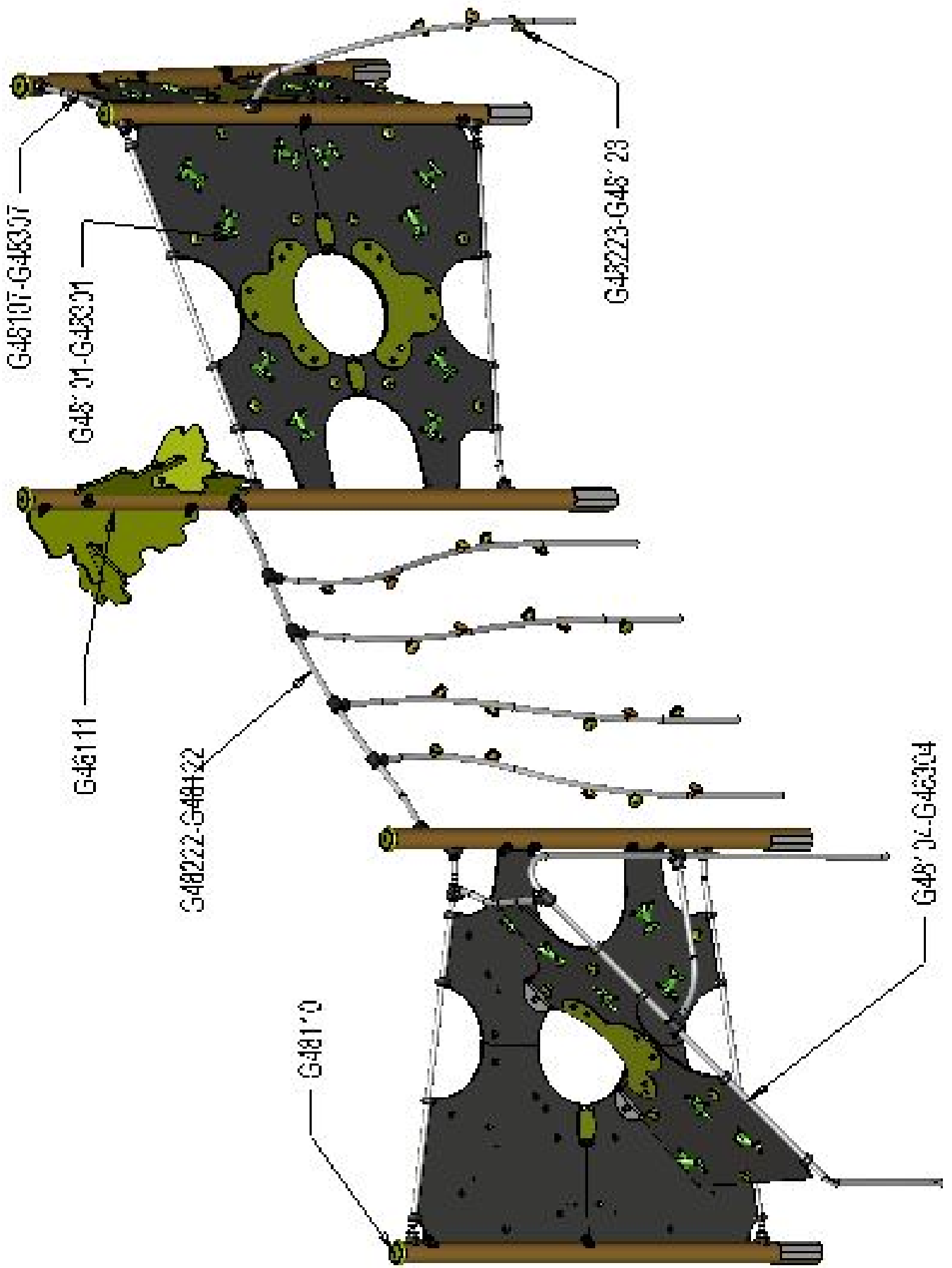
N°		
①	2.6 m	5.5 m ²
②	2.9 m	71.5 m ²

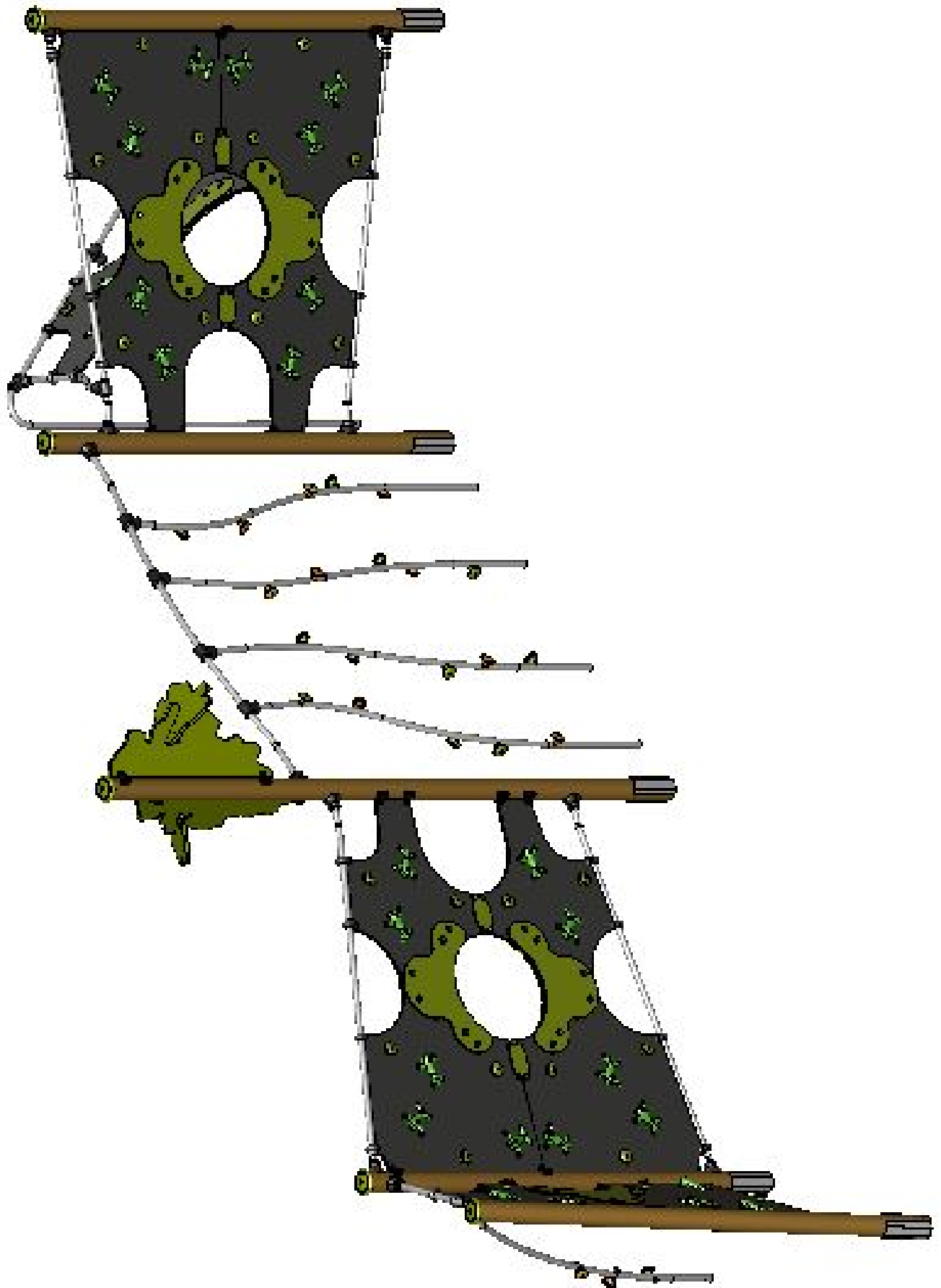
— Zone d'Impact
Impact Area
Area de Impacto
Fallraum

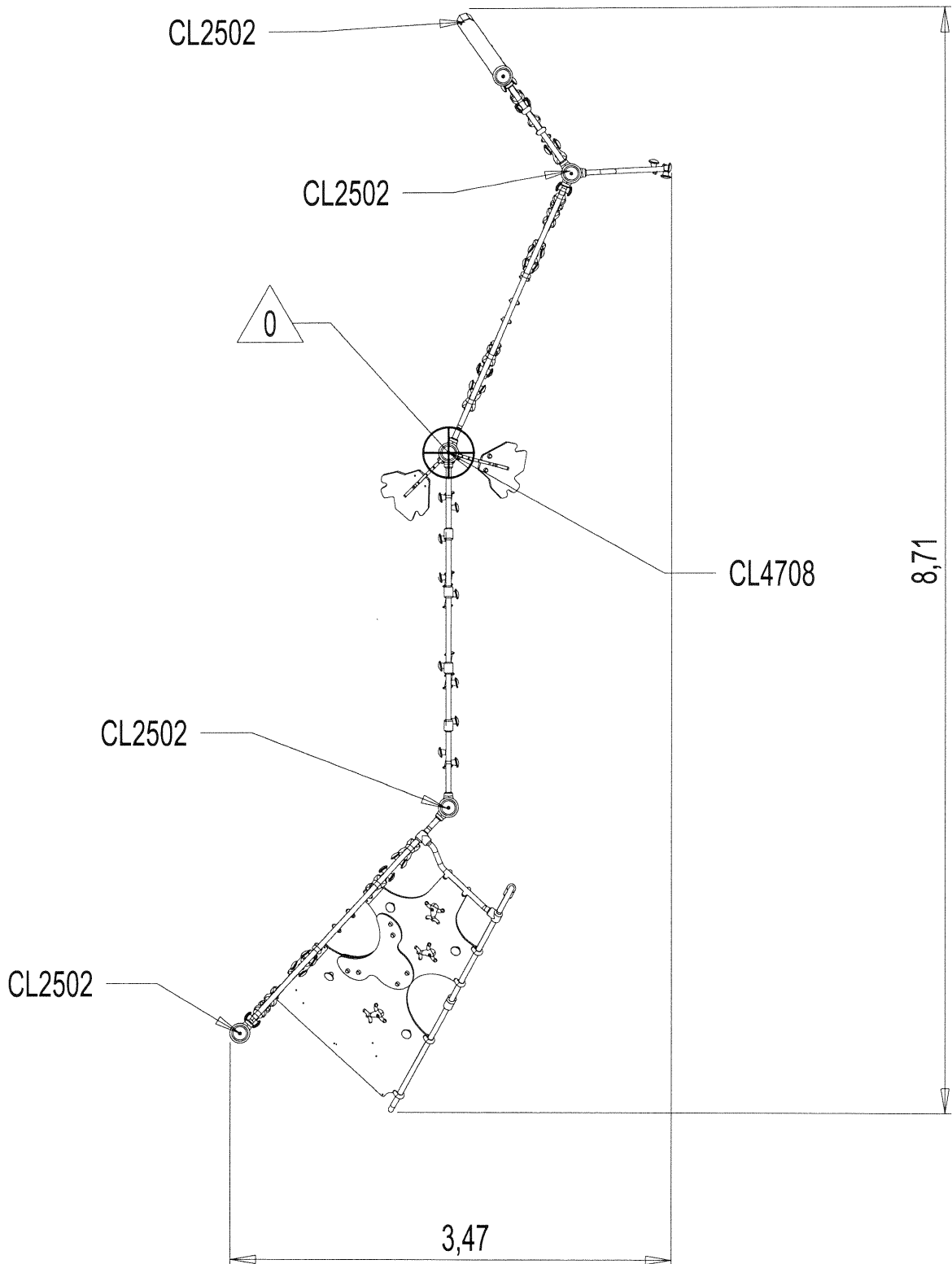
EN1176 - 1 : 2017

- - Espace libre
Free Space
Espacio Libre
Freiraum

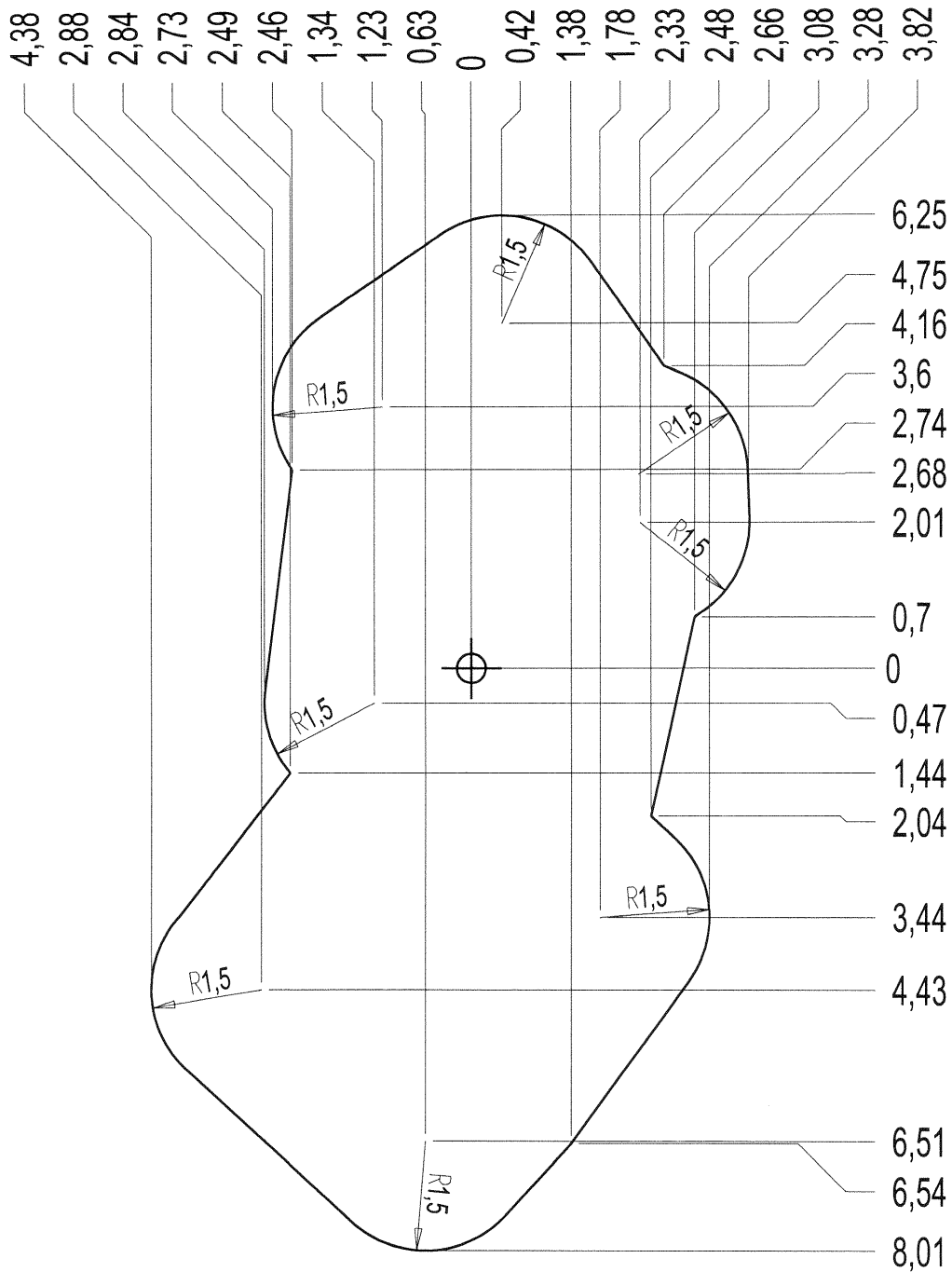






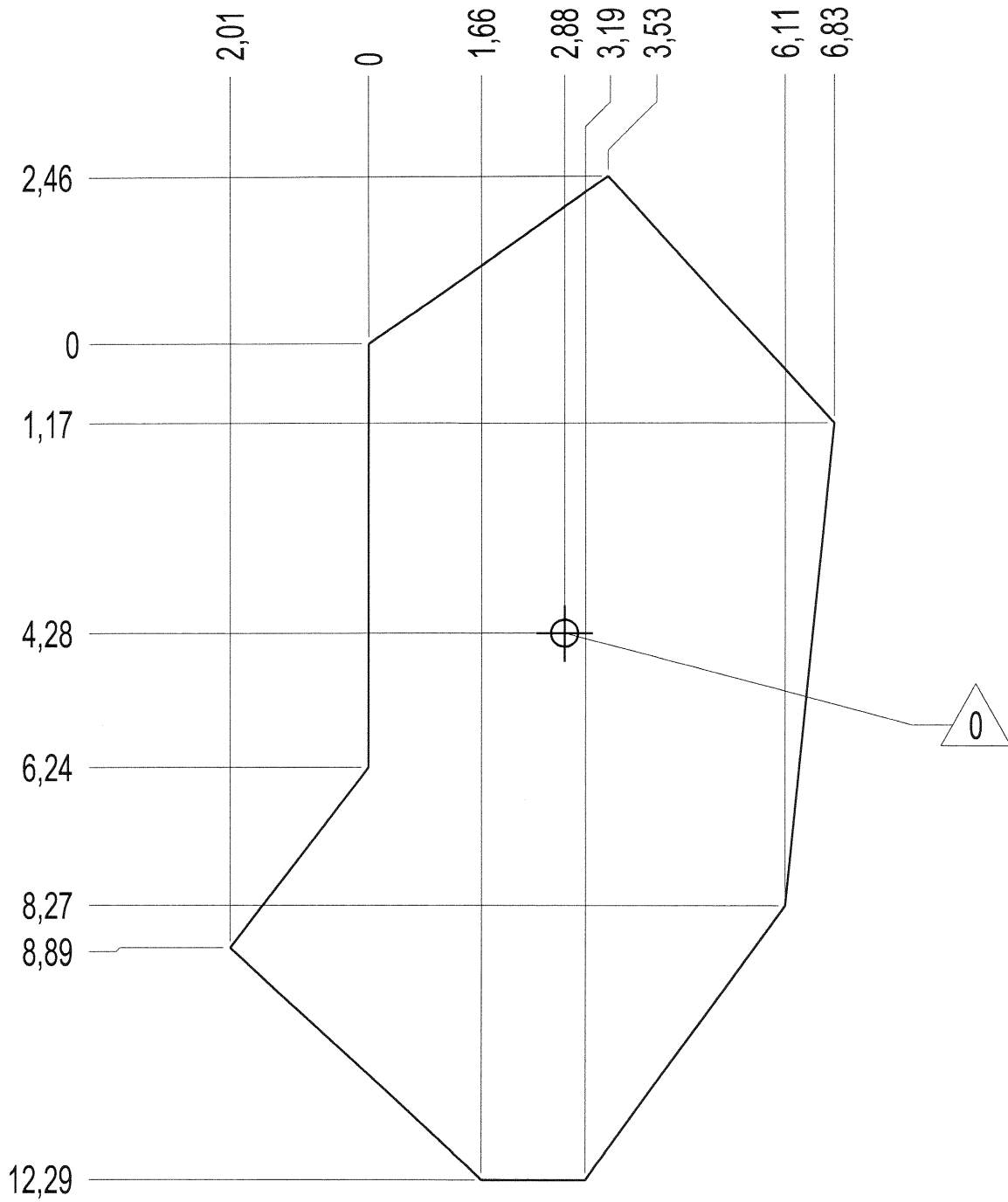


— Zone d'Impact **77 m²**
 Impact Area
 Area de Impacto
 Fallraum



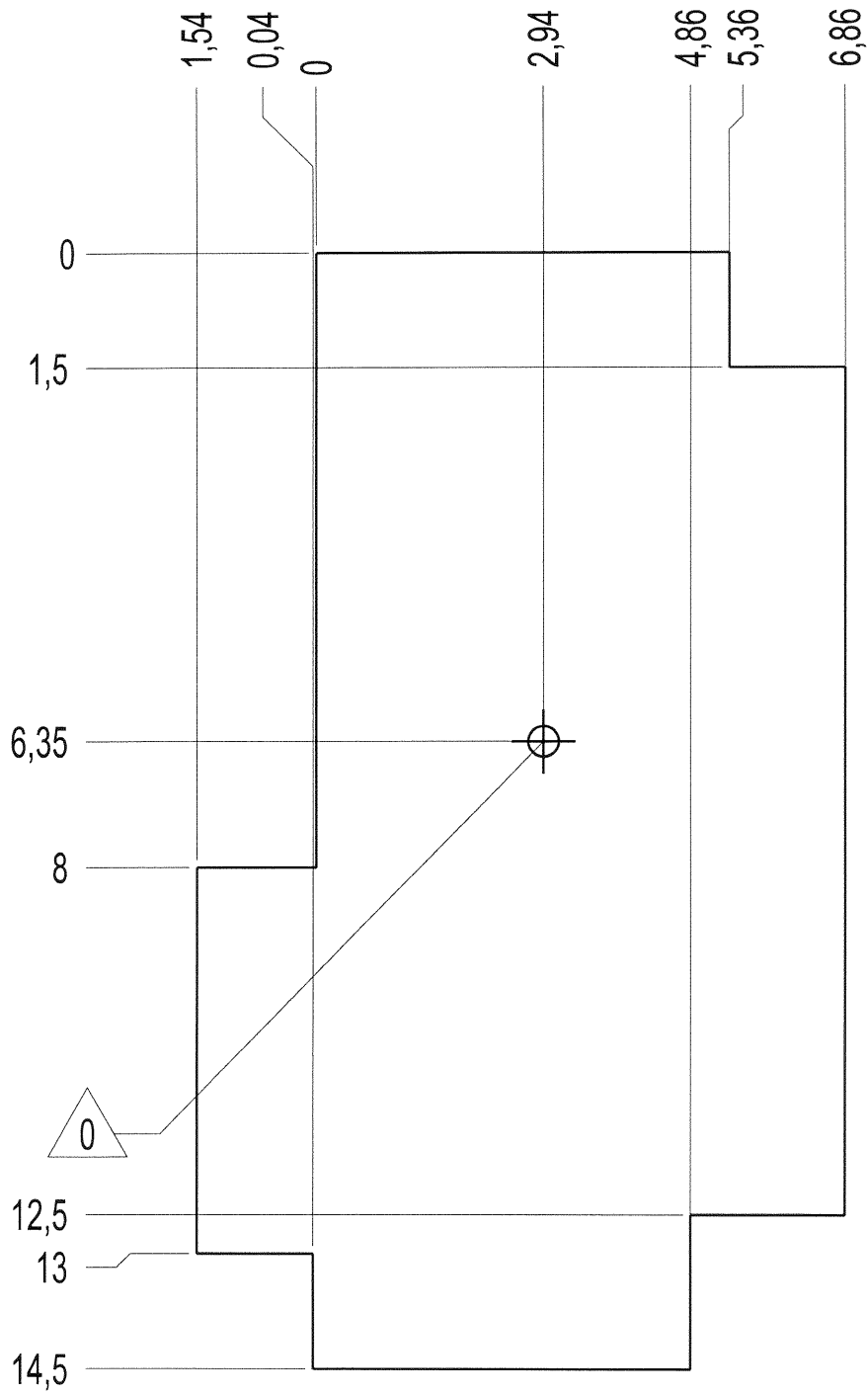
— Dalle béton
Concrete pad
Solera de Hormigón
Beton Bodenplatte

37.5 m
82.5 m²

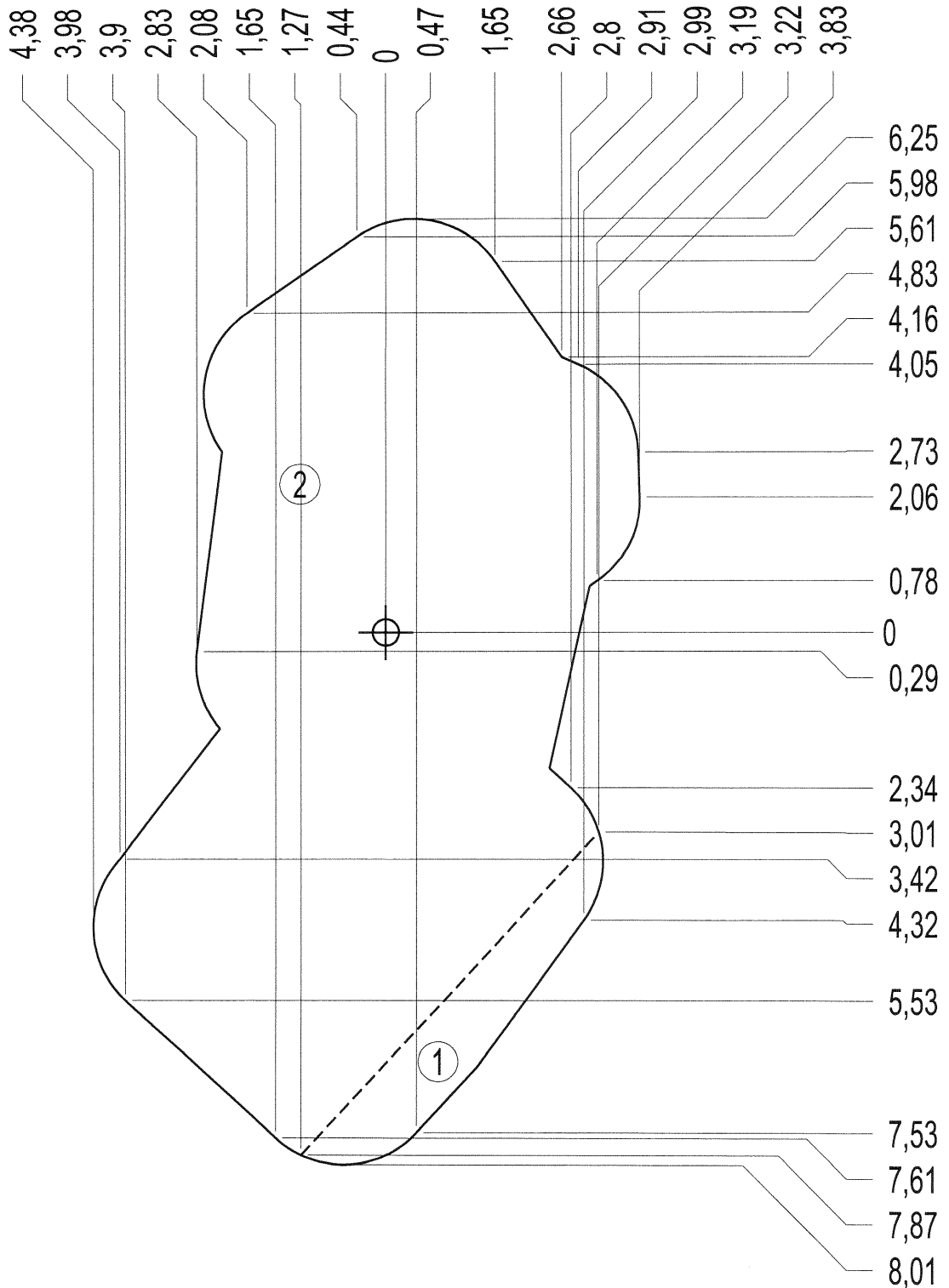


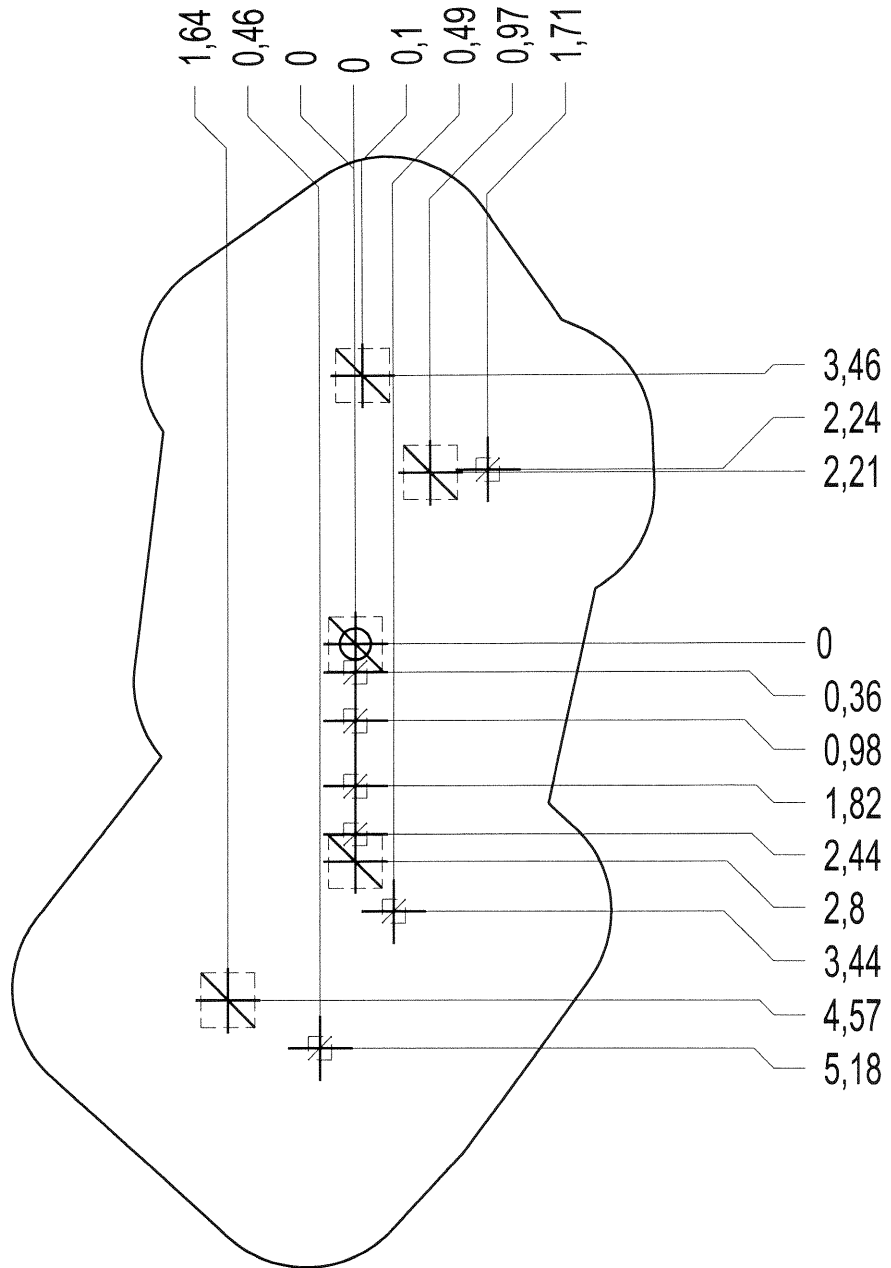
— Sol fluent
 Loose particle material
 Arenero
 Loses Bodenmaterial

46 m
 101 m²

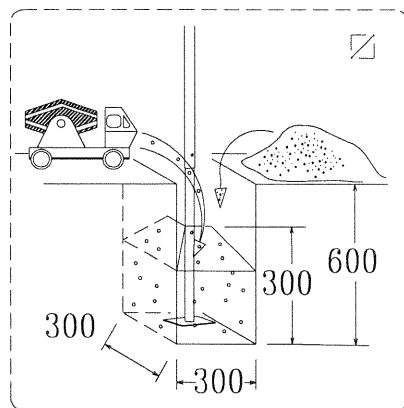
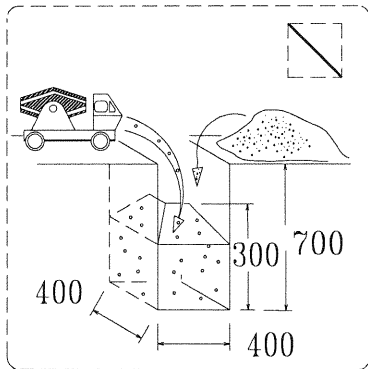


— Sol souple 77 m²
 Wetpour
 Caucho Continuo
 Synthetischer Fallschutz

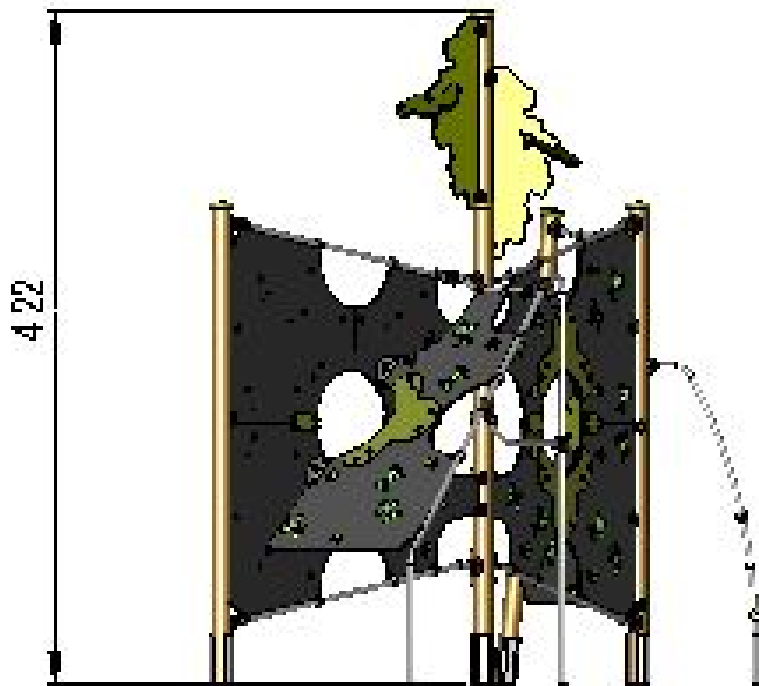
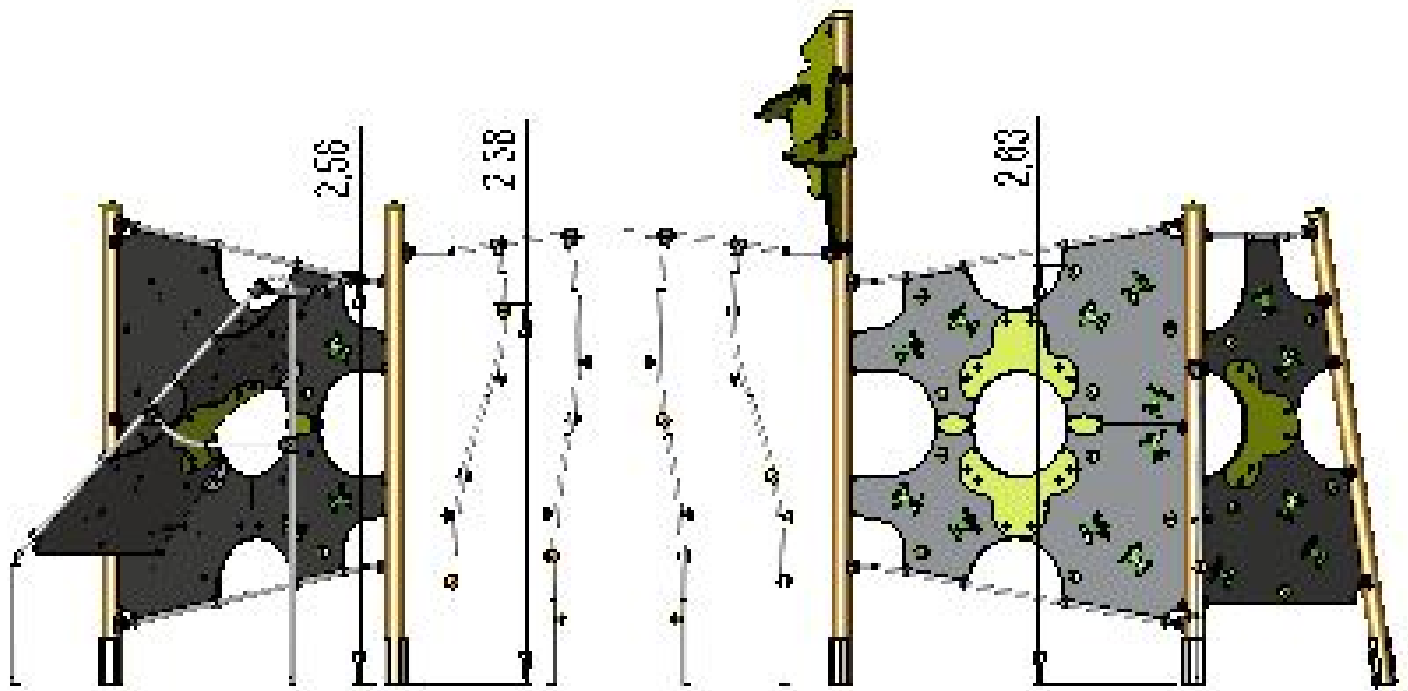


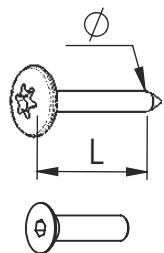


Implantation
 Footing plan
 Implantación
 Fundamentplan



x4
 8H
 0.5m³





VBT 6 x 30
 \varnothing \uparrow L (mm)

VFHC



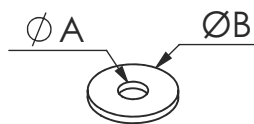
VEC M10
 \varnothing



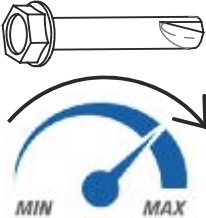
VEF




VEB



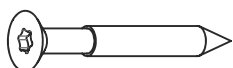
VR6x18
 $\varnothing A$ $\varnothing B$



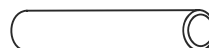
1000 - 1800 tr/min
 Vitesse de rotation
 Rotation speed



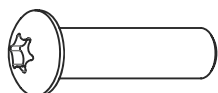
14 N.m
 Couple de rupture
 Torque of break



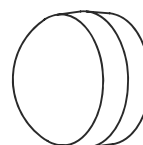
VWT



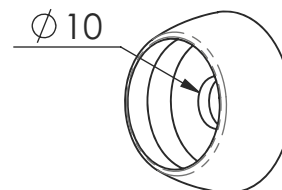
VGC



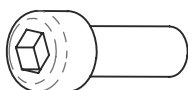
VCBHC



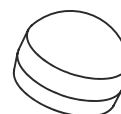
M10 440N



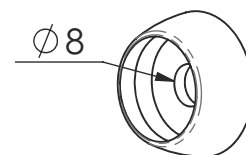
M10 310 N



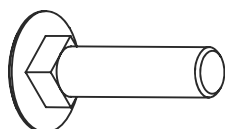
VBTR



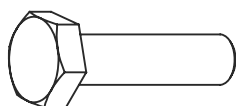
M8440N



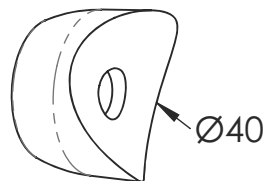
M8310N



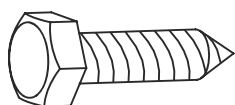
VTRCC



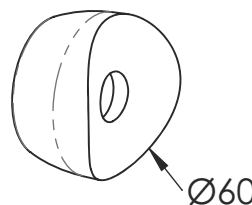
VTH



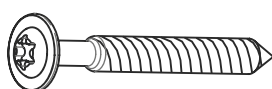
MI2503



VTF



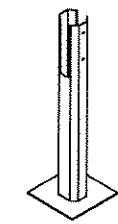
MI2701



VBT

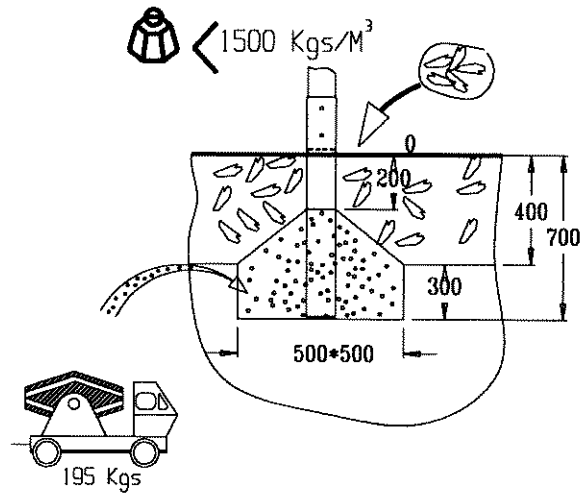
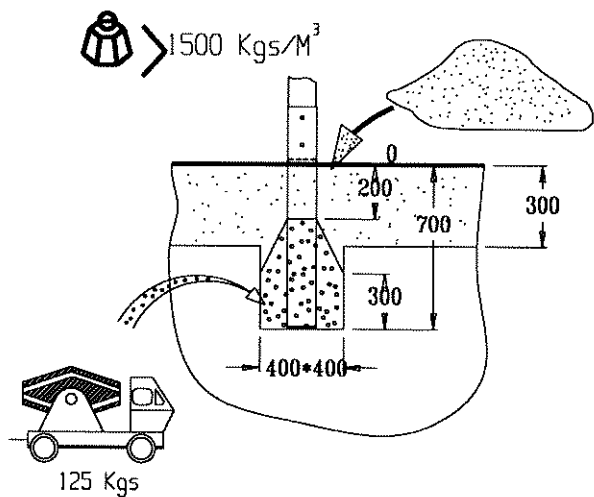
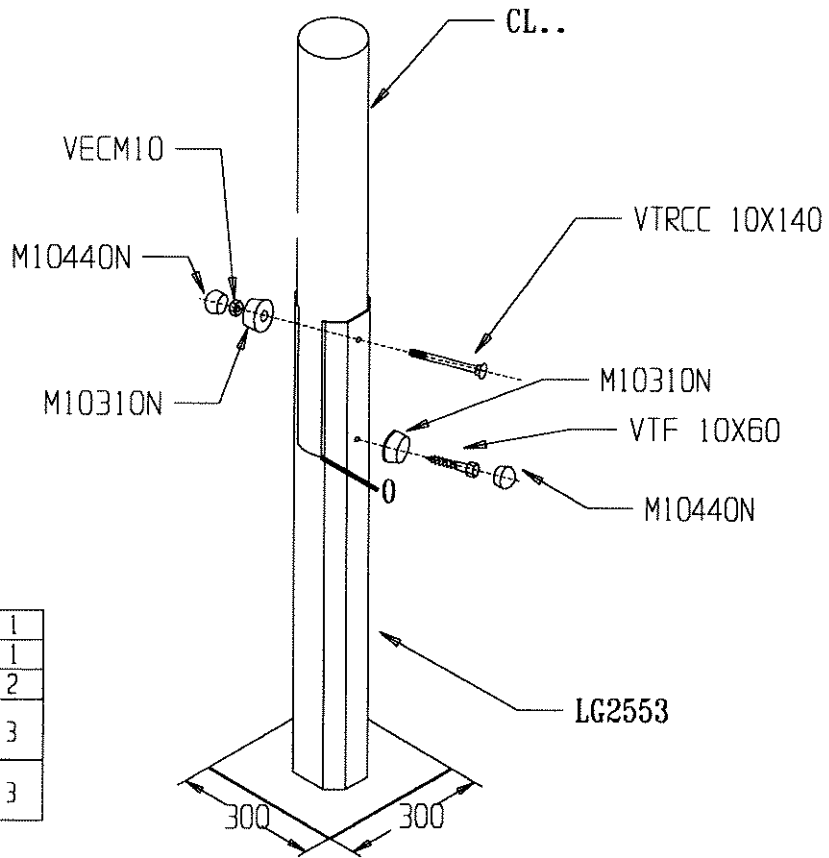
A

ProLudic

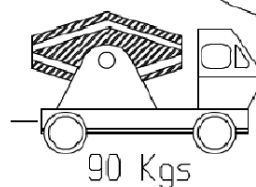
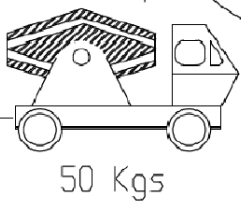
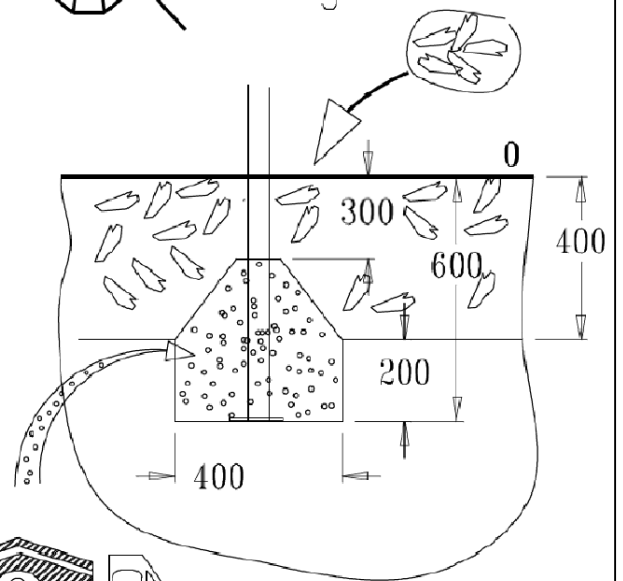
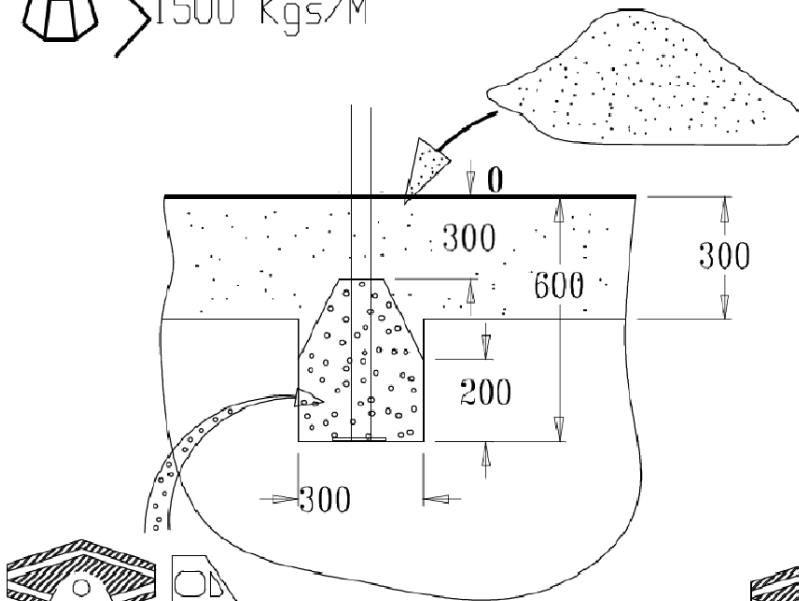
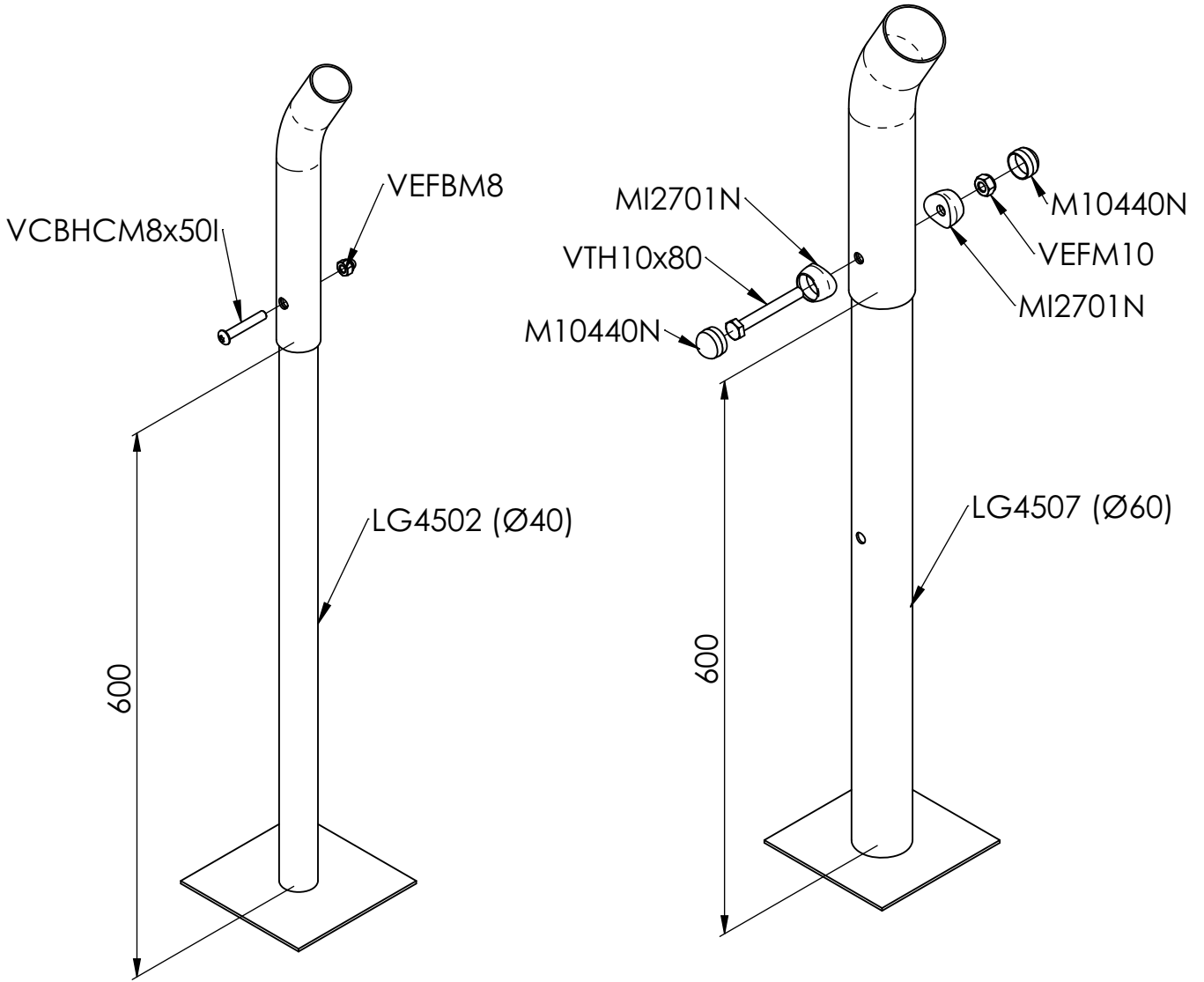


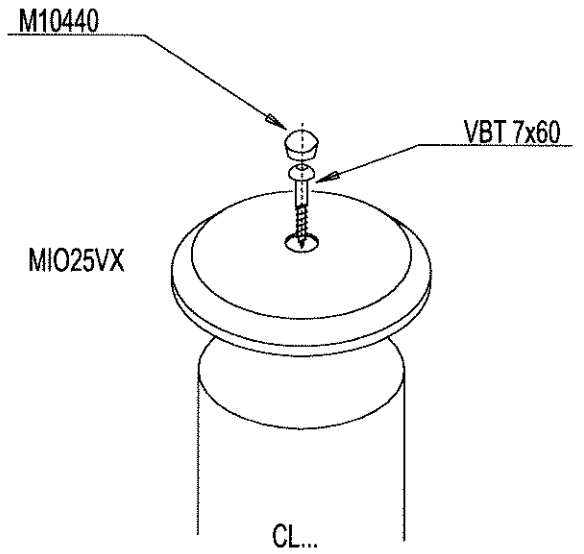
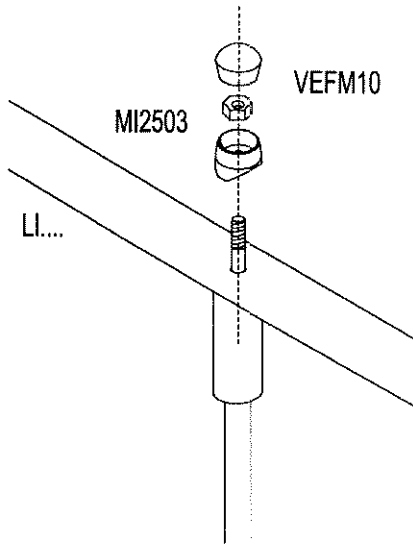
LG2553

	VTRCC 10x140	1
	VECM10	1
	VTF 10x60	2
	M10310N	3
	M10440N	3

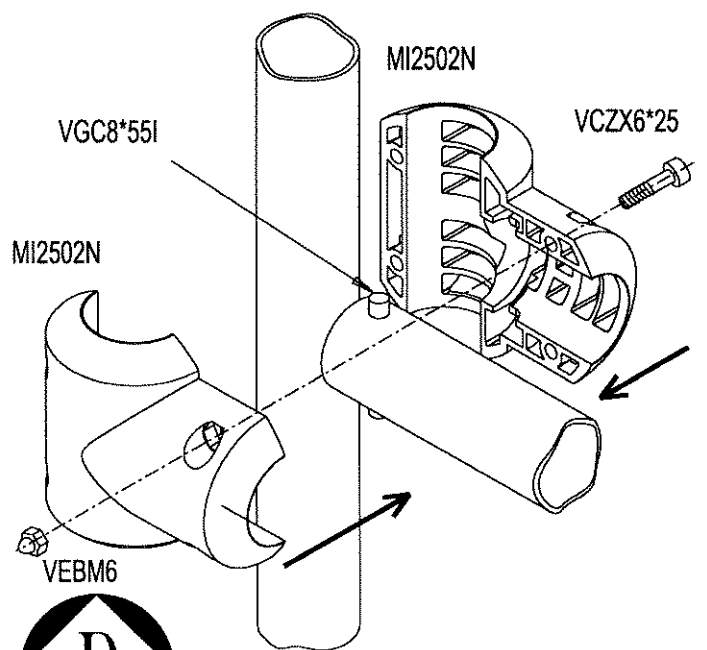
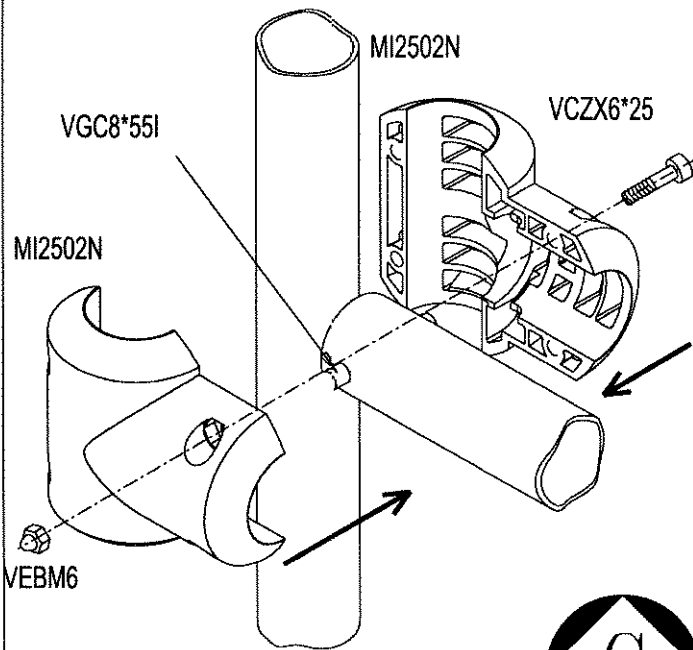


04-05-10

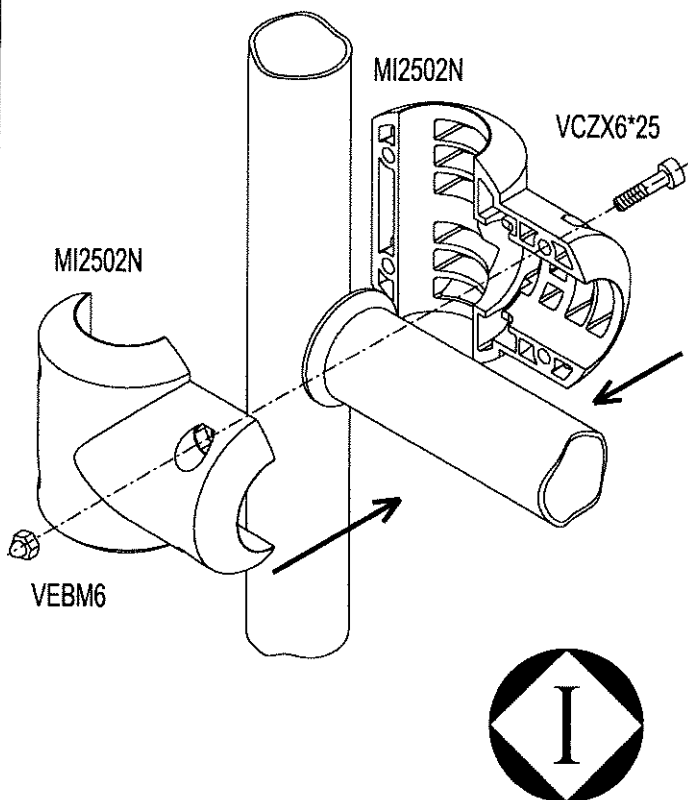




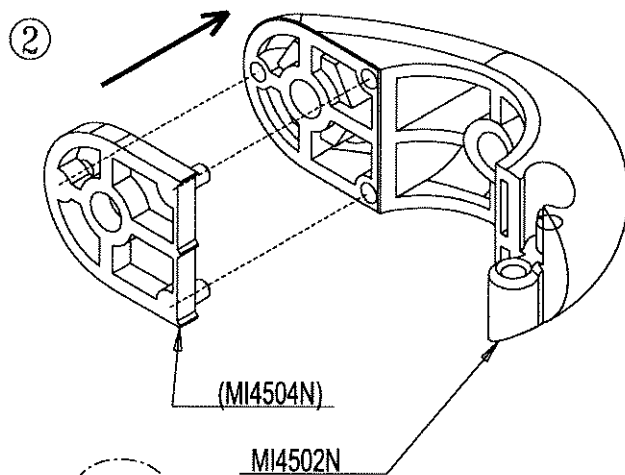
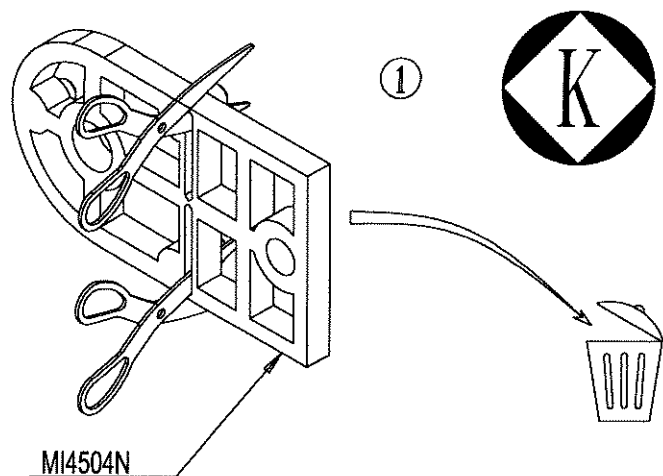
MI2502N + VGC8*55I



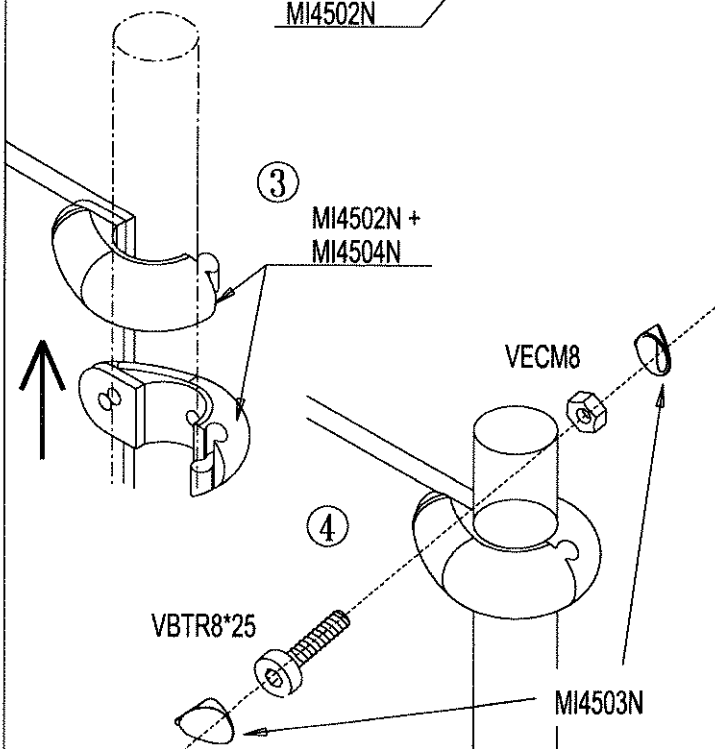
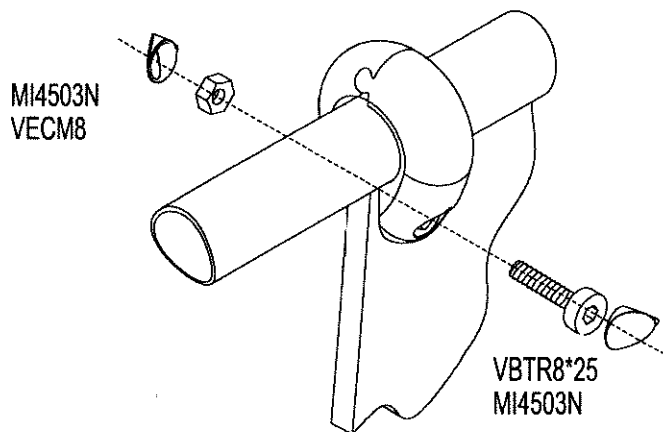
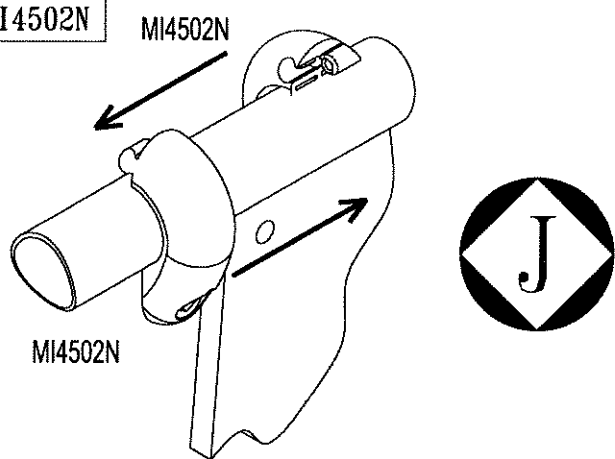
MI2502N



MI4502N + MI4504N

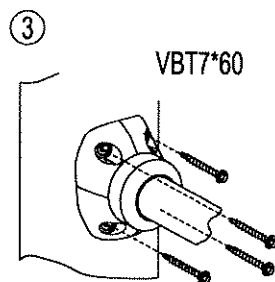
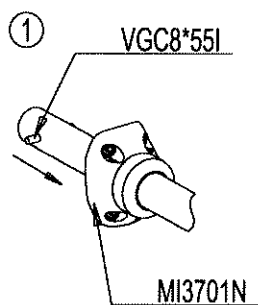
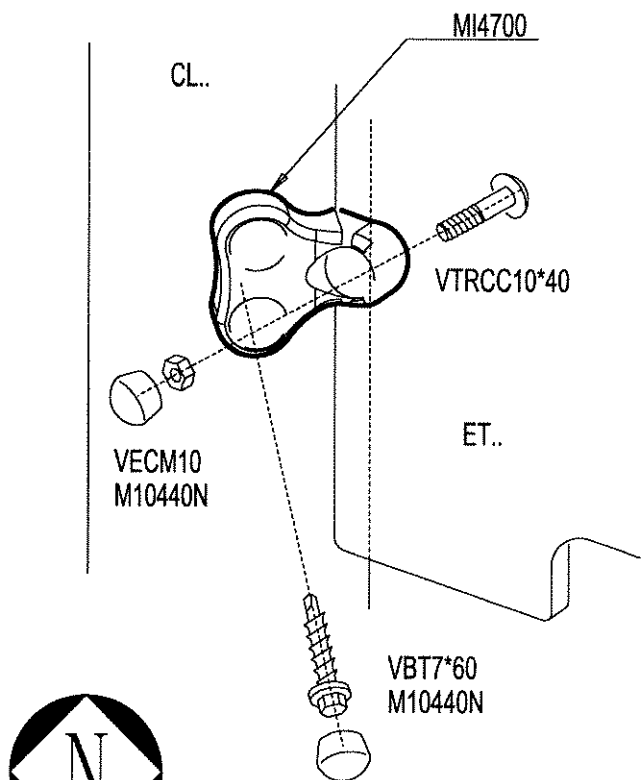


MI4502N

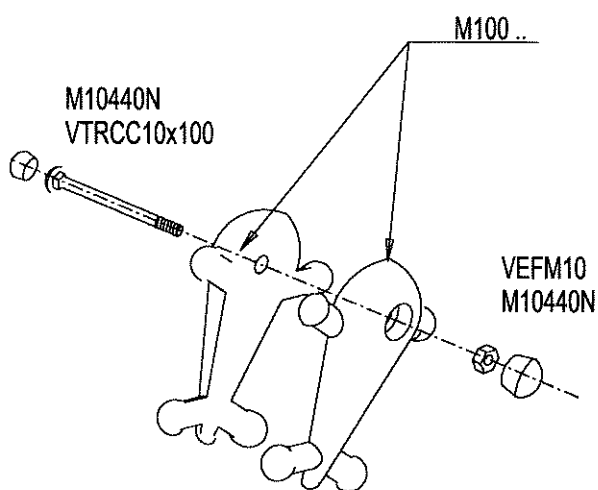
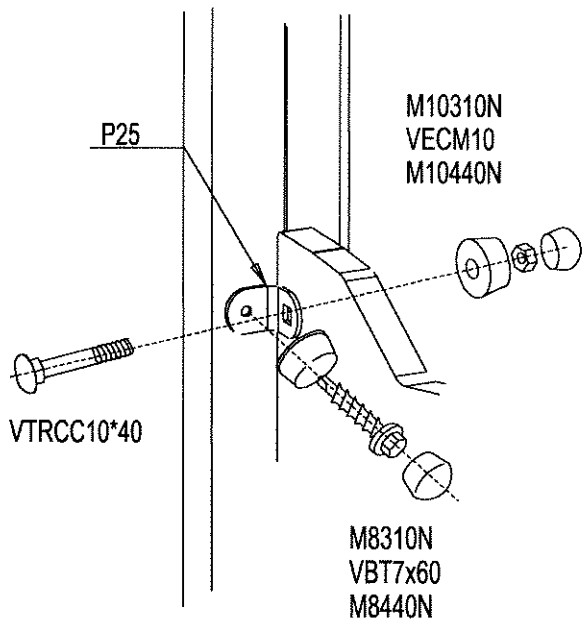


MI4700

MI3701N



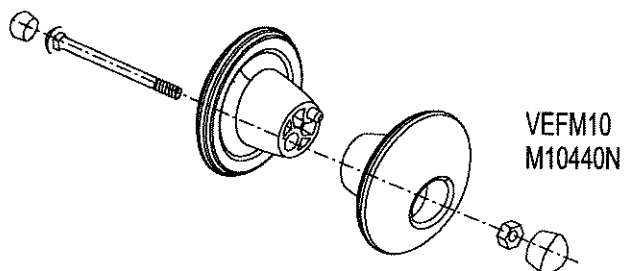
M100..



MI4700

MI3701N

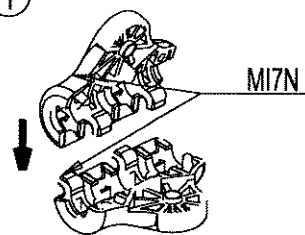
M10440N
VTRCC10x100



VEFM10
M10440N

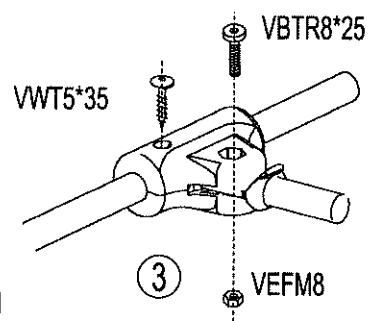
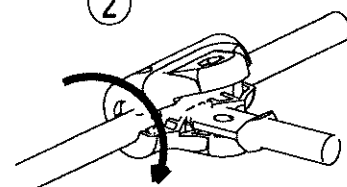


①

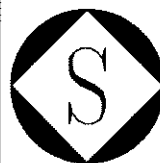


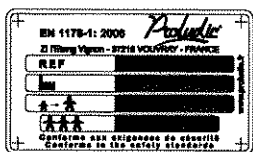
MI7N

②



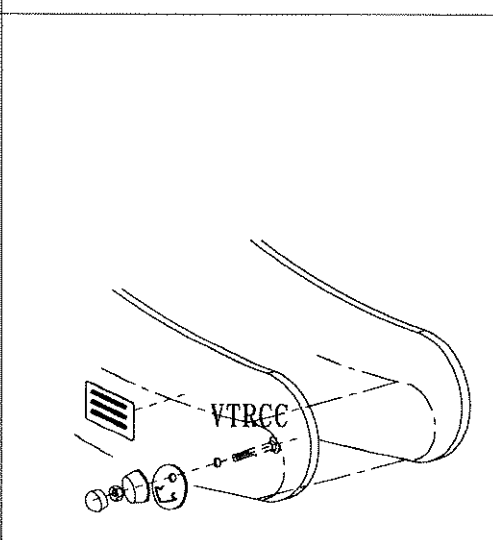
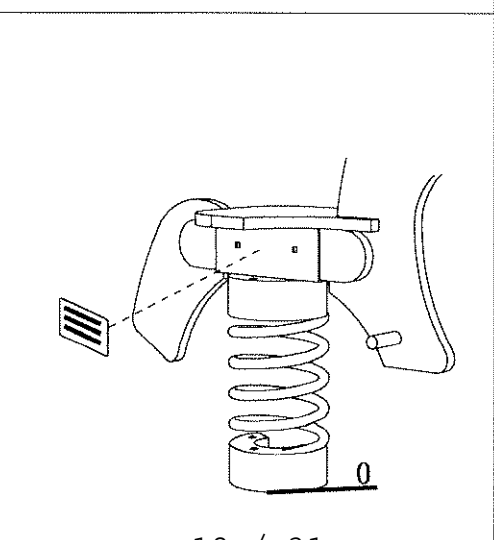
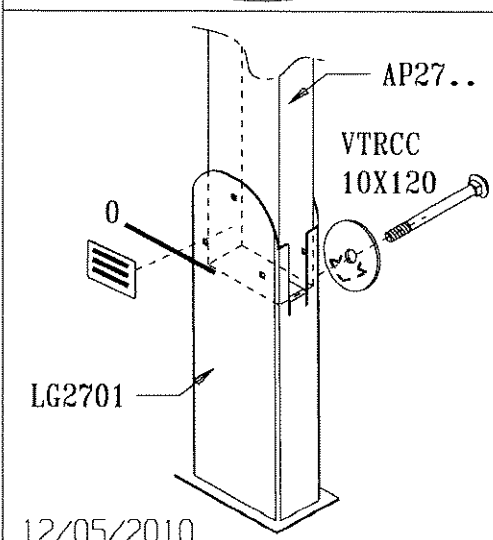
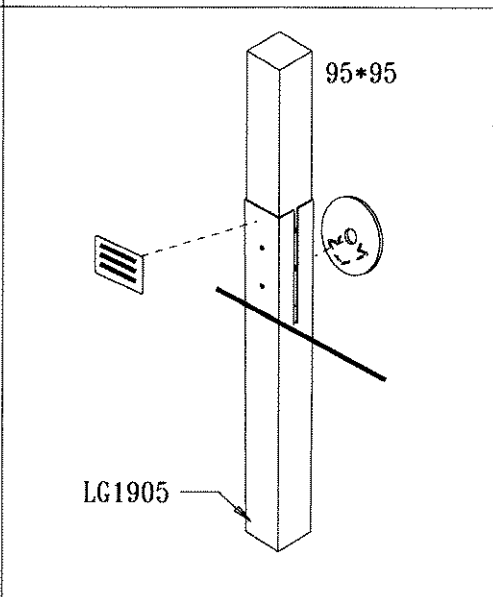
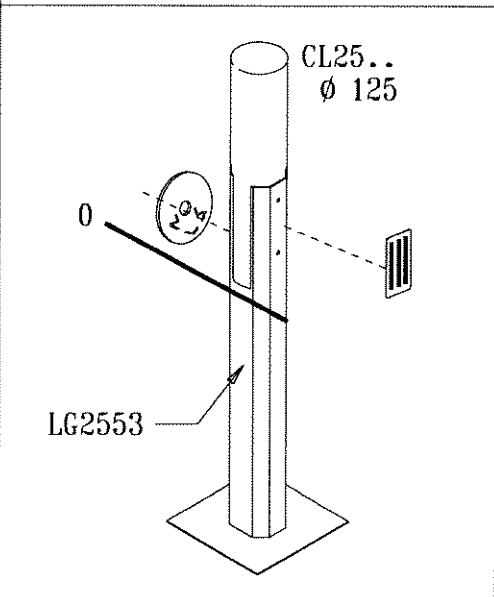
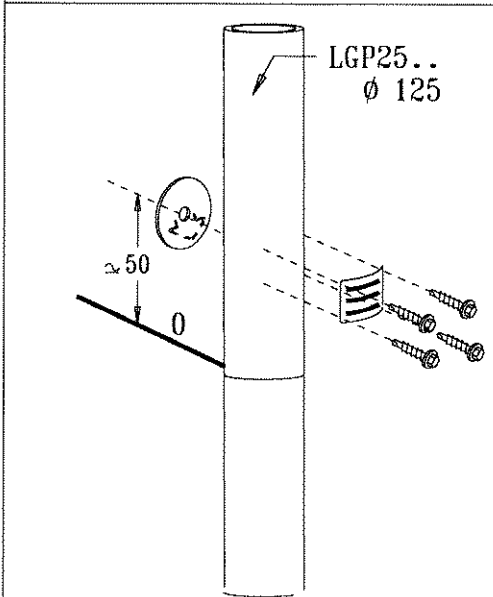
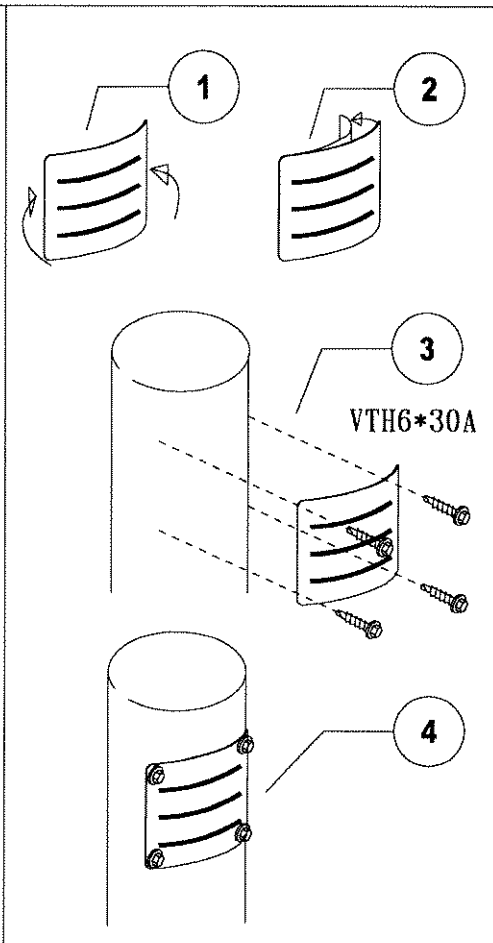
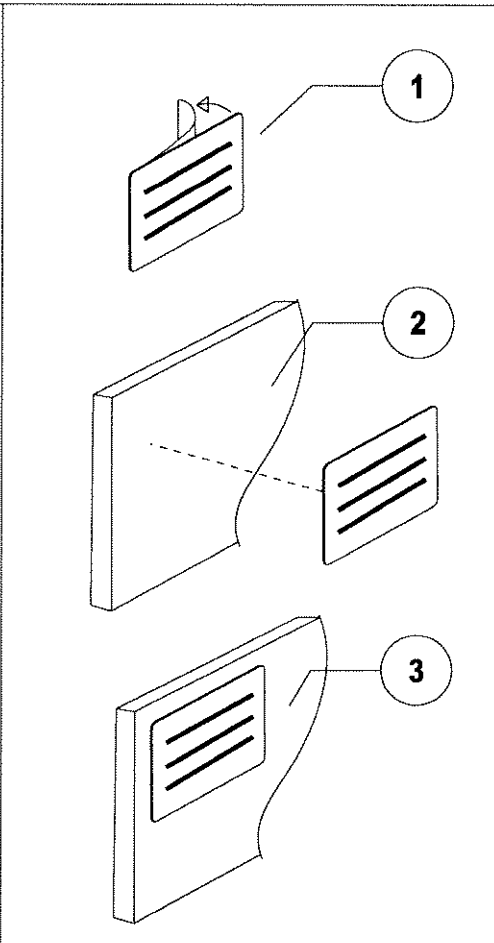
③

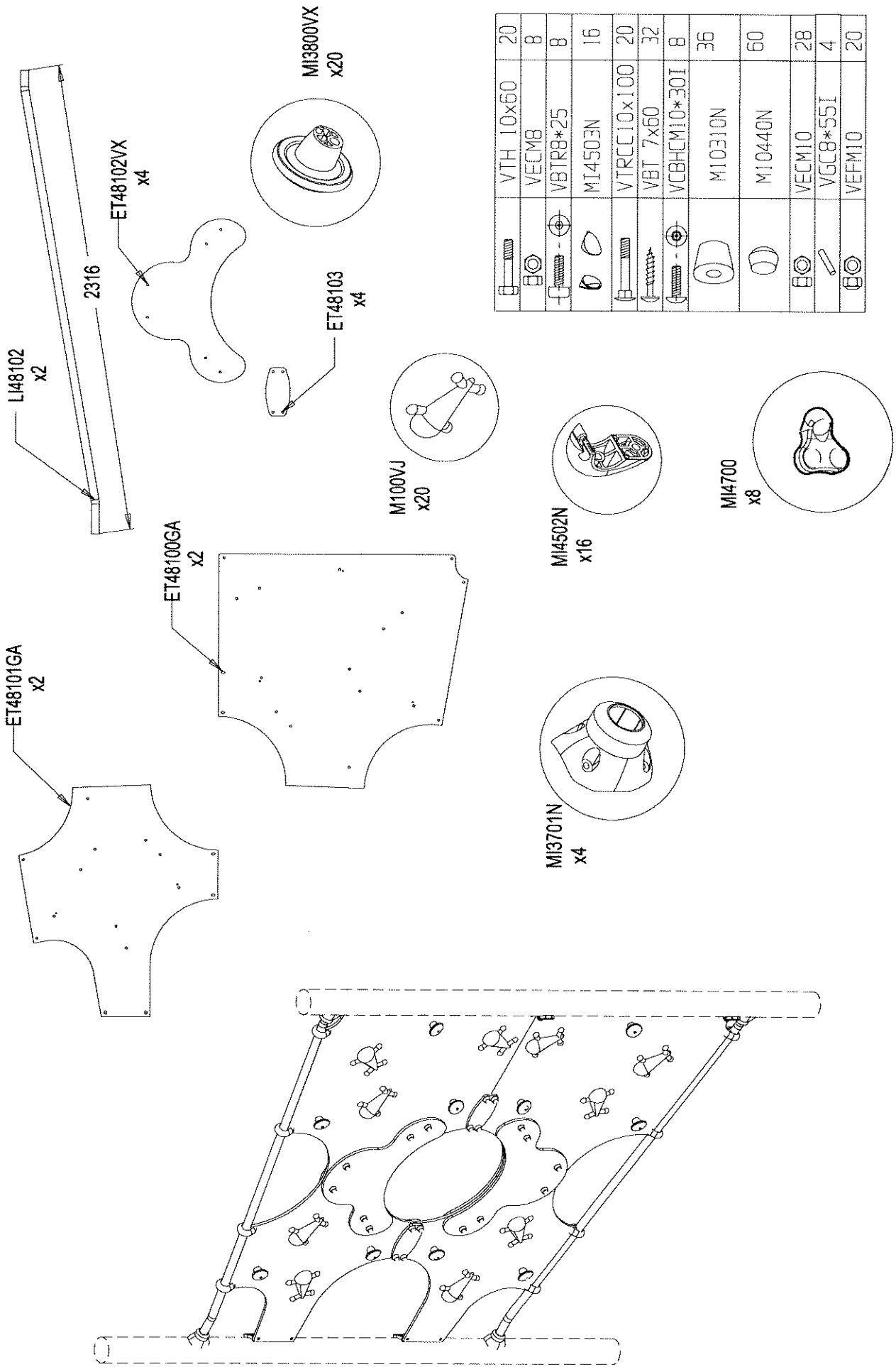




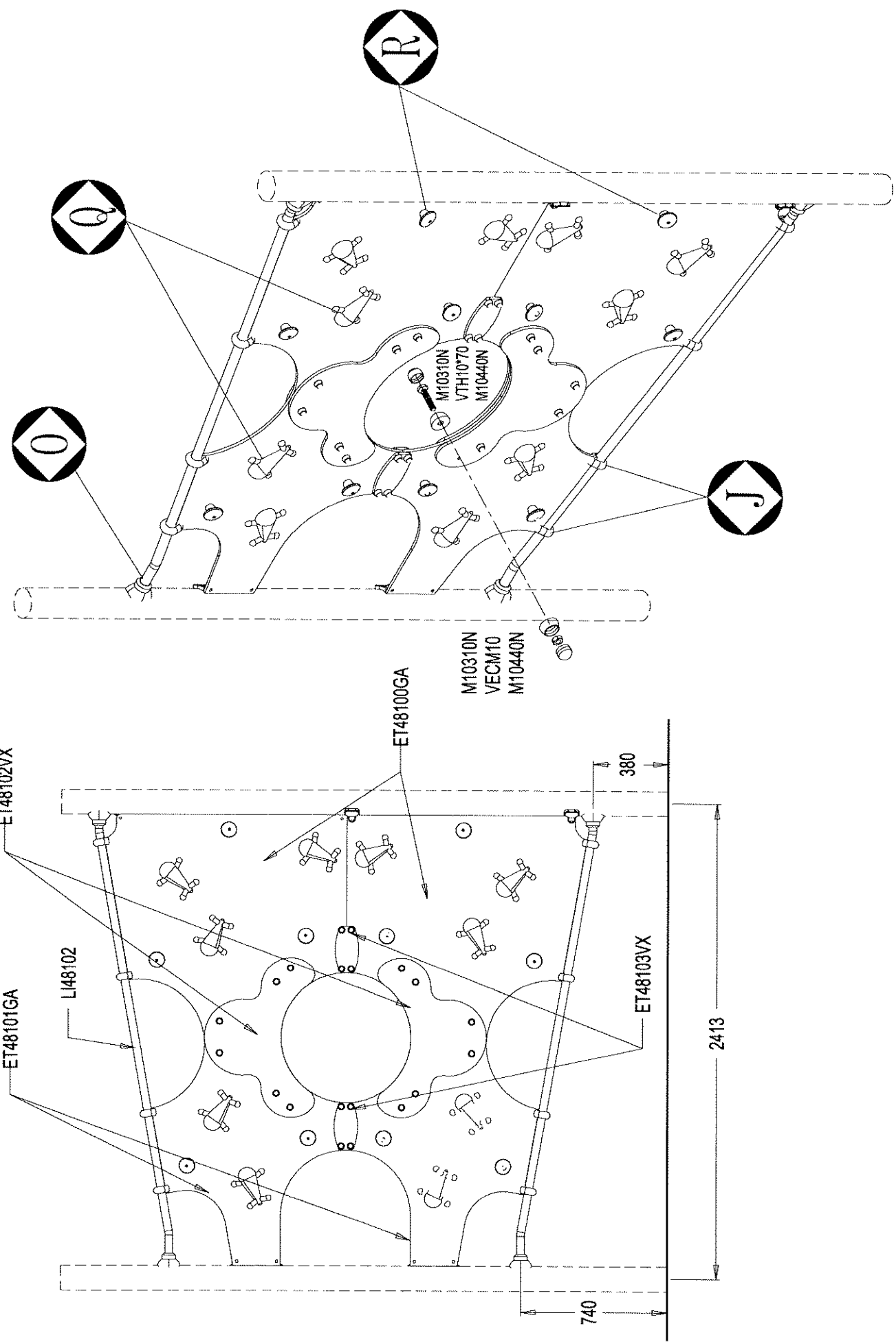
LA000

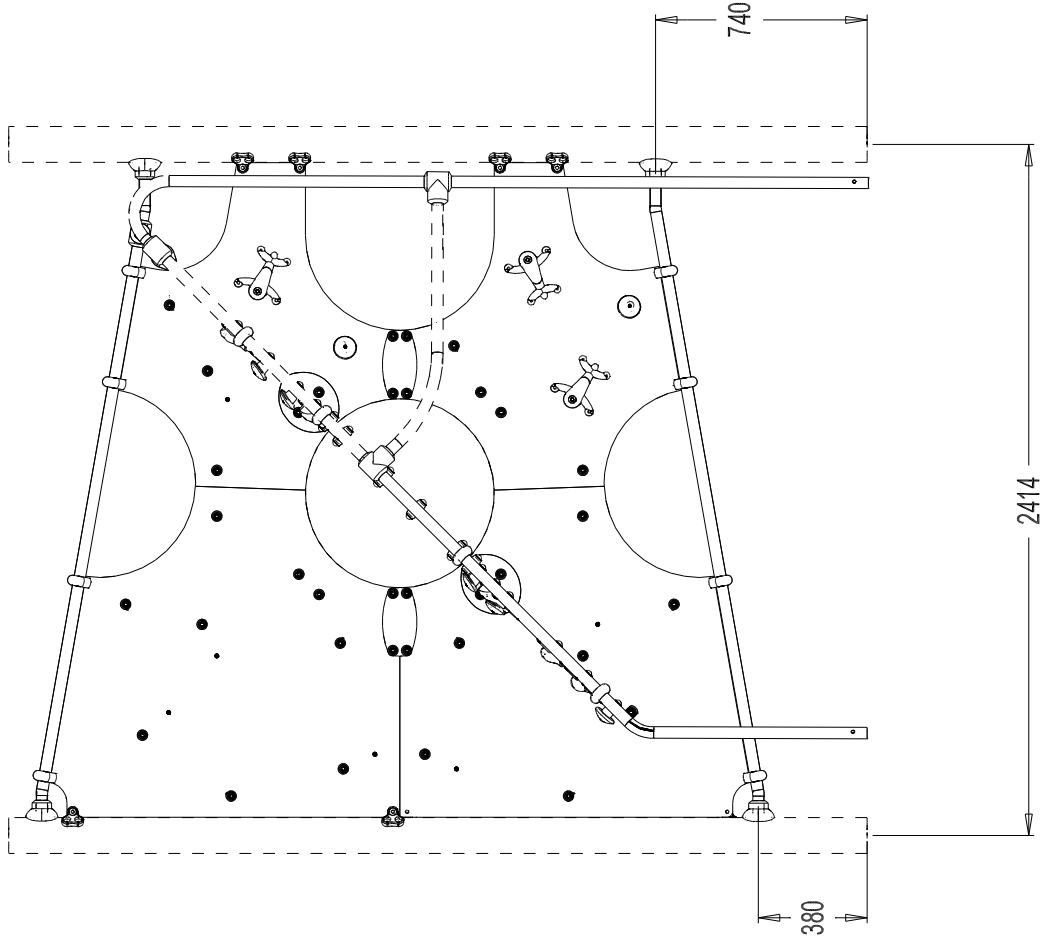
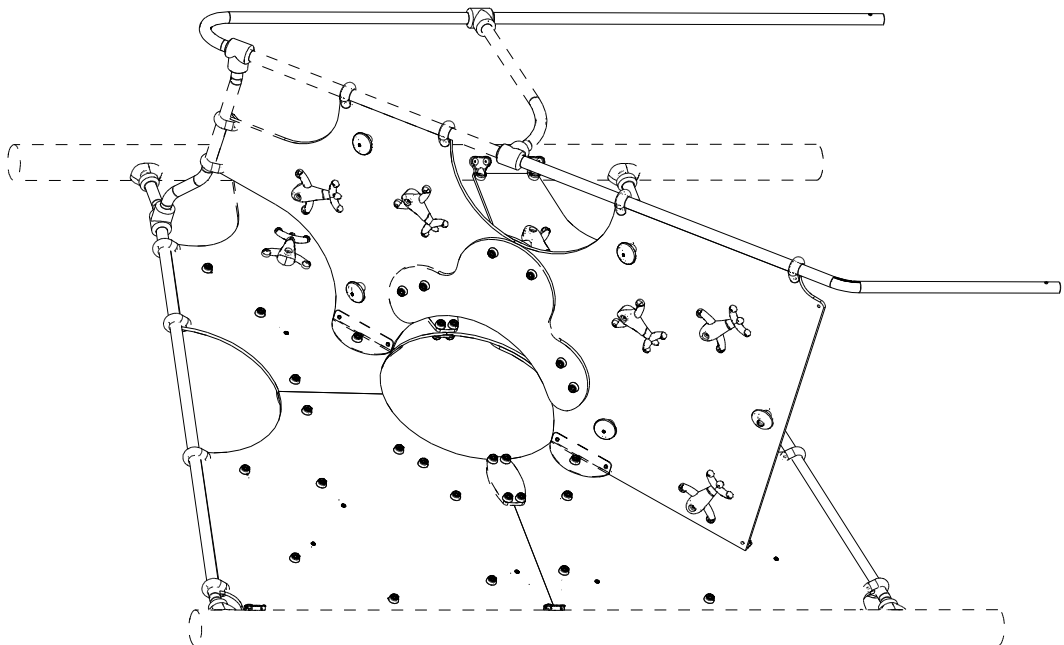
MI0002

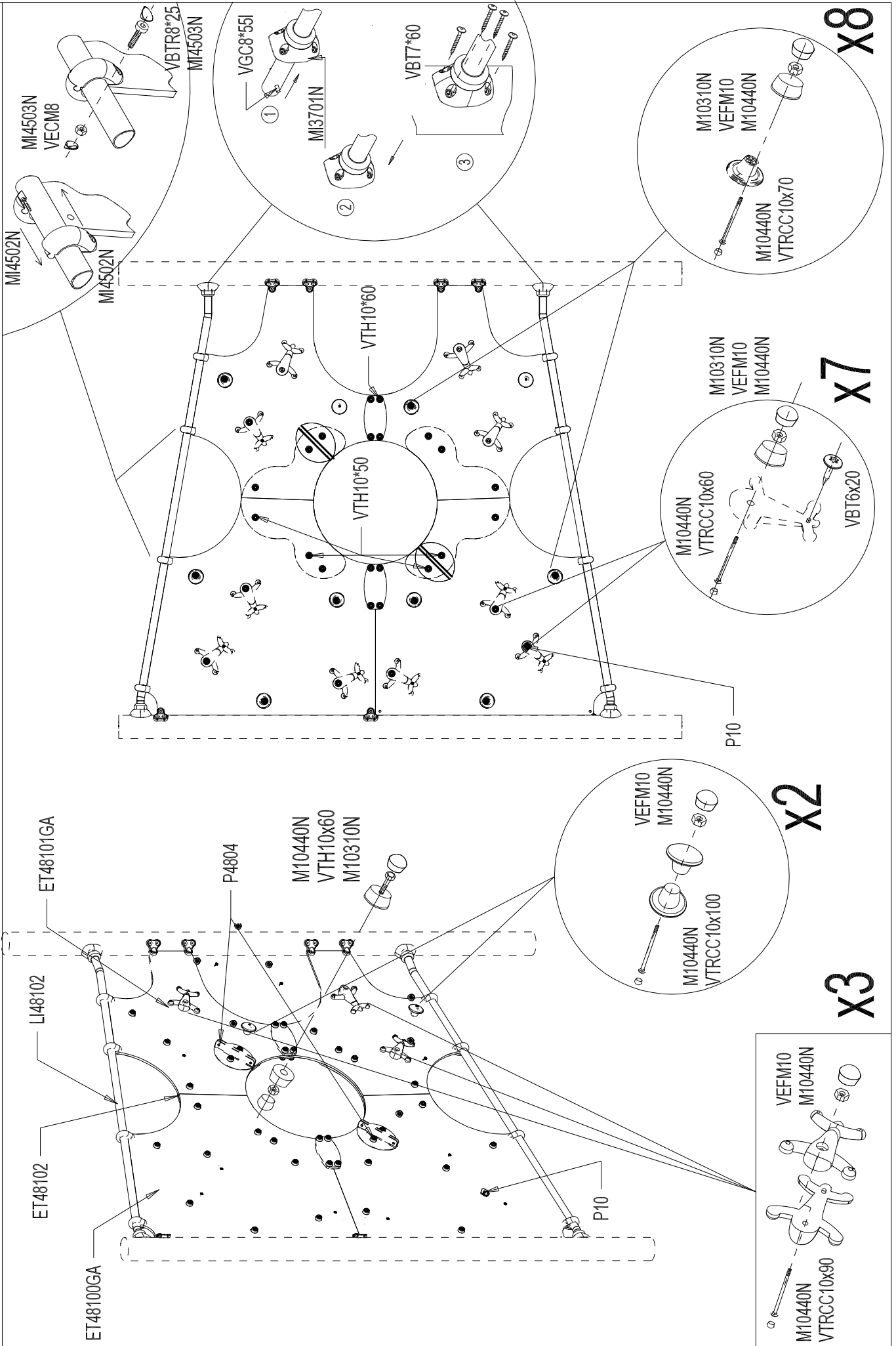


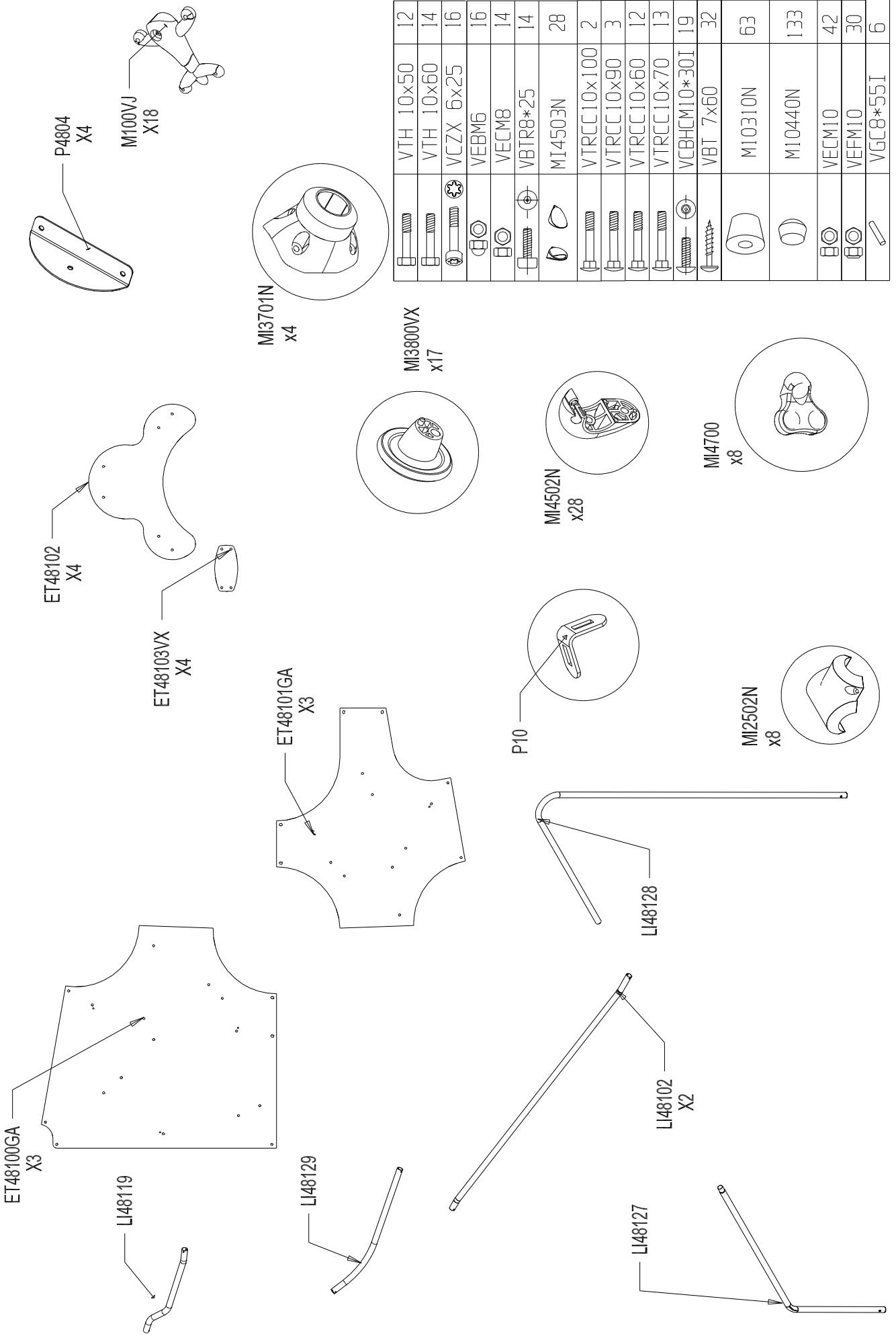


	VTH 10x60	20
	VECM8	8
	VBTR8*25	8
	MI4503N	16
	VTRCC10x100	20
	VBT 7x60	32
	VCBHC10*30I	8
	M10310N	36
	M10440N	60
	VECM10	28
	VGC8*55I	4
	VEFM10	20

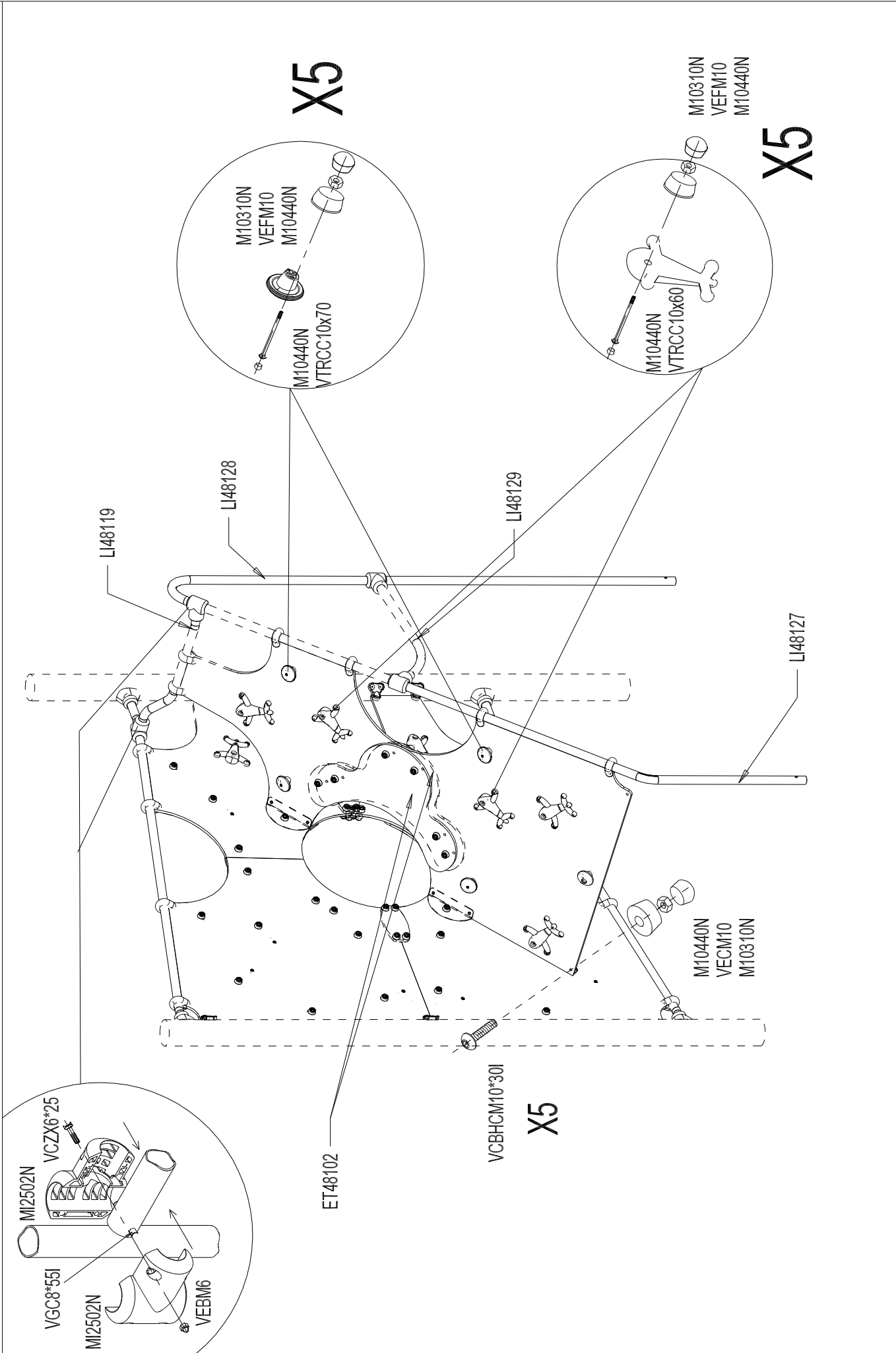




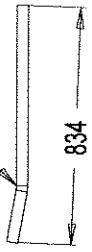




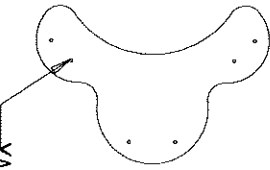
	VTH 10x50	12
	VTH 10x60	14
	VCZX 6x25	16
	VEBM6	16
	VECM8	14
	VBTR8*25	14
	MI4503N	28
	VTRCC10x100	2
	VTRCC10x90	3
	VTRCC10x60	12
	VTRCC10x70	13
	VCBHC10*30I	19
	VBT 7x60	32
	M10310N	63
	M10440N	133
	VECM10	42
	VEFM10	30
	VGC8*55I	6



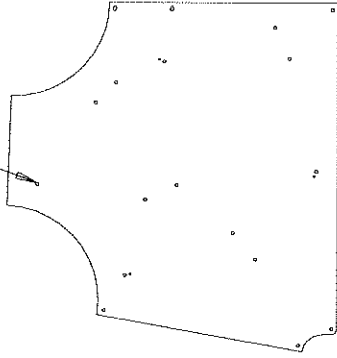
LI48117



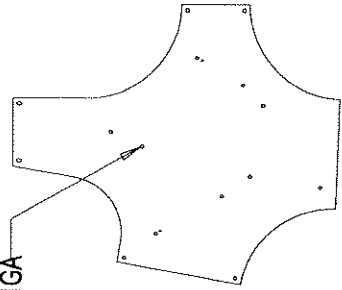
ET48102VX
x2



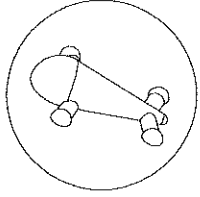
ET48100GA



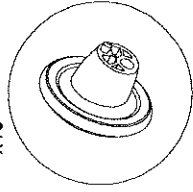
ET48101GA



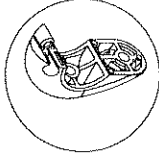
M100VJ
x10



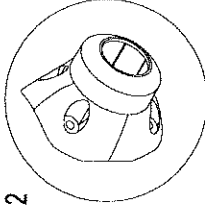
M13800VX
x10



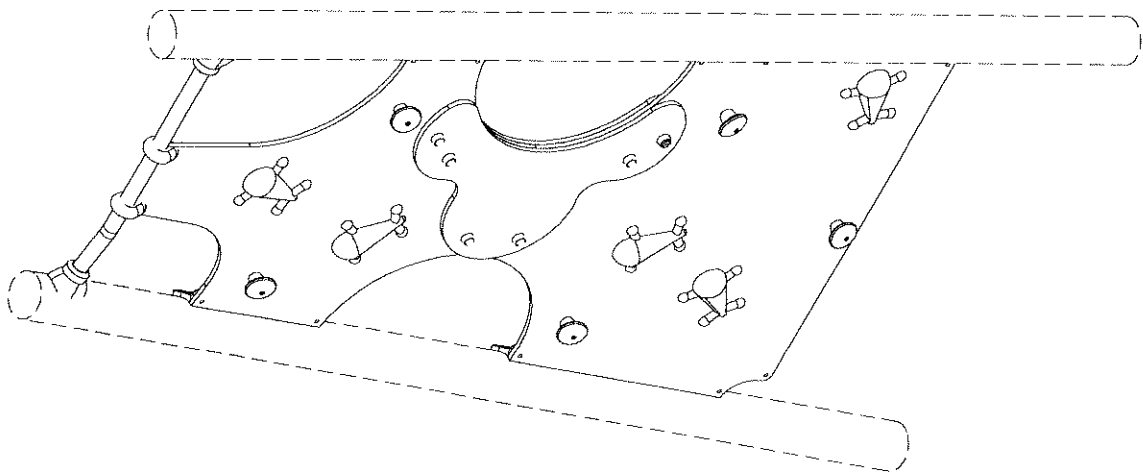
M14502N
x4



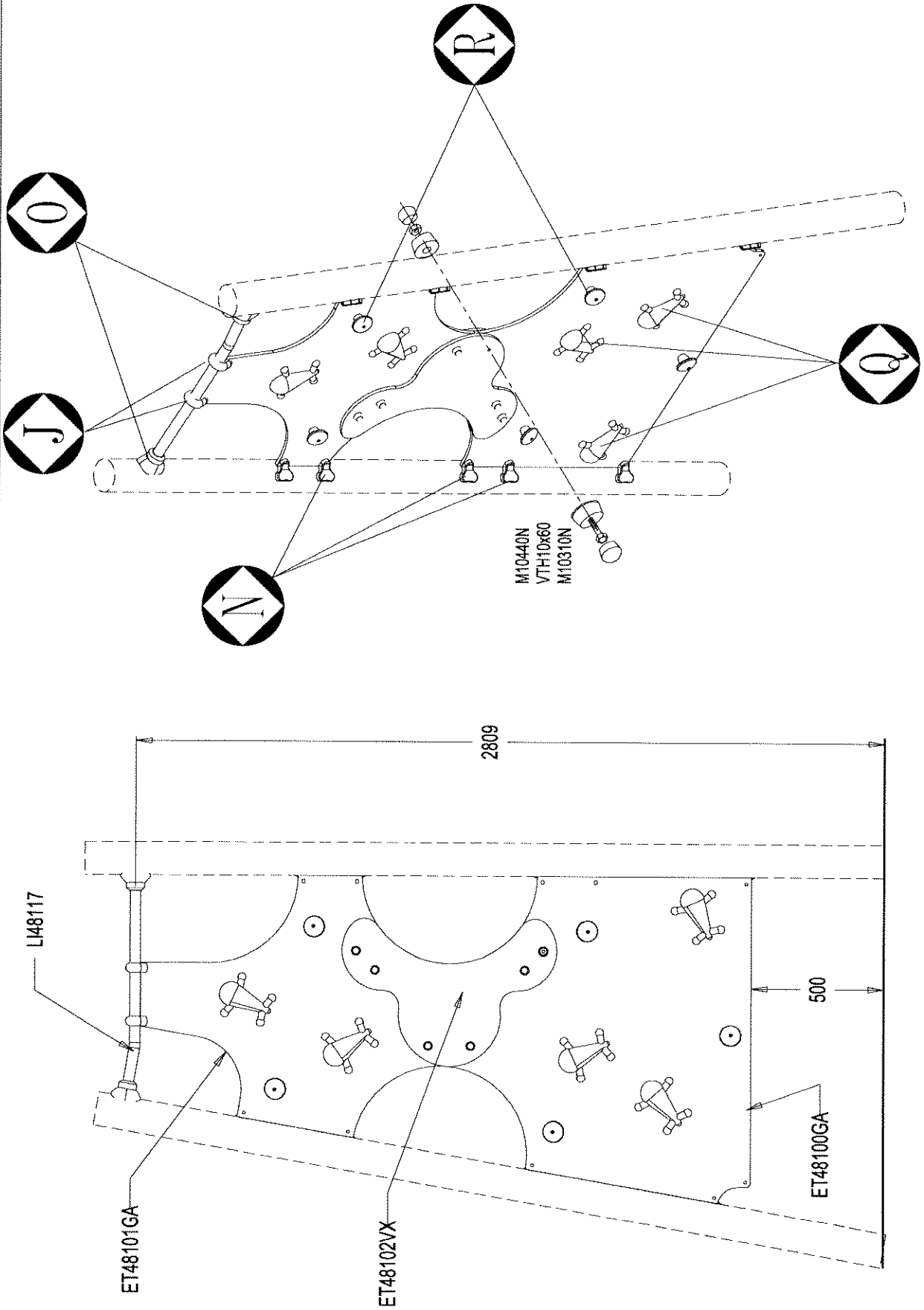
M13701N
x2



M14700
x9



	VTH 10x60	6
	VECM8	2
	VBTR8*25	2
	MI4503N	4
	VTRCC10x100	10
	VBT 7x60	26
	VCBHCM10*30I	9
	M10310N	12
	M10440N	59
	VECM10	15
	VEFM10	10



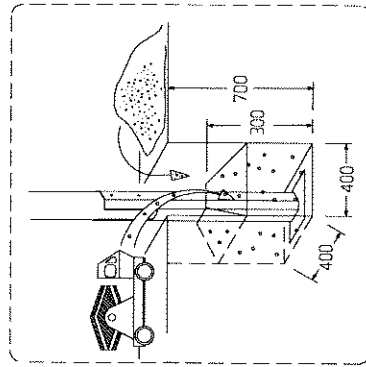
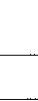
MI025VX



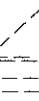
CL2502



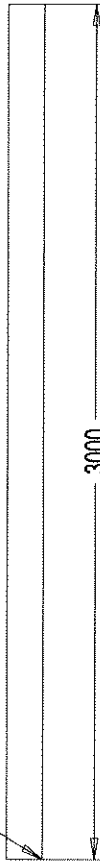
3000



LG2553

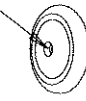


CL2502

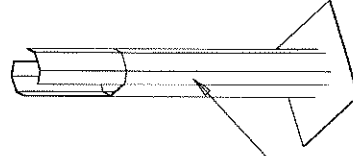


3000

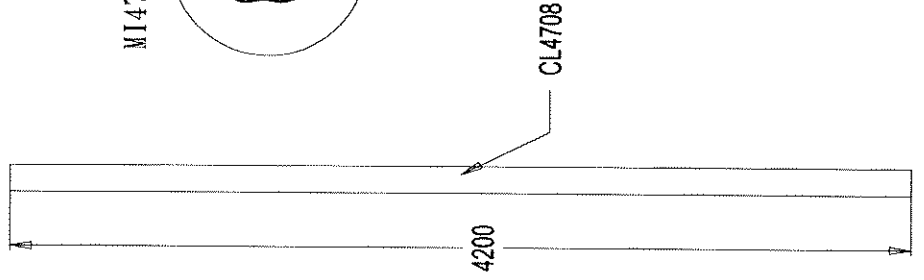
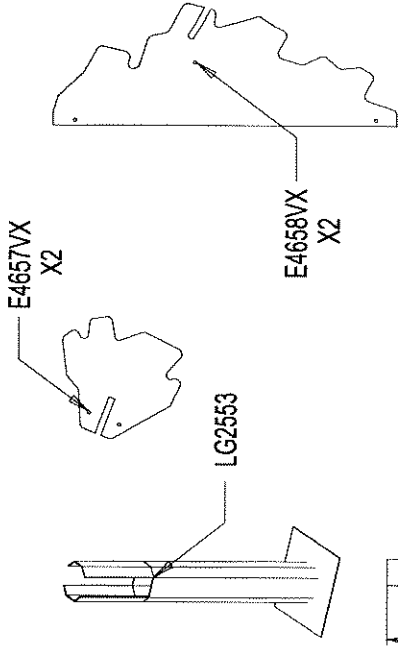
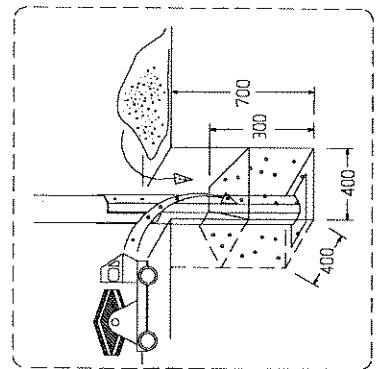
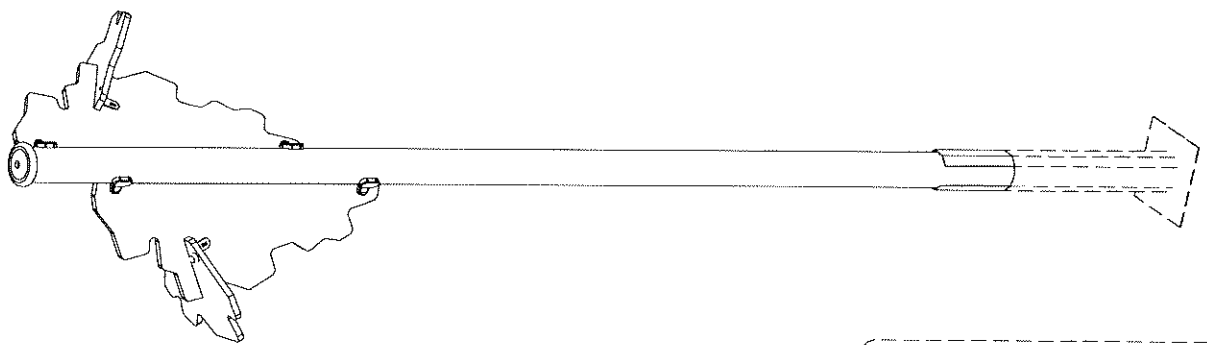
MI025



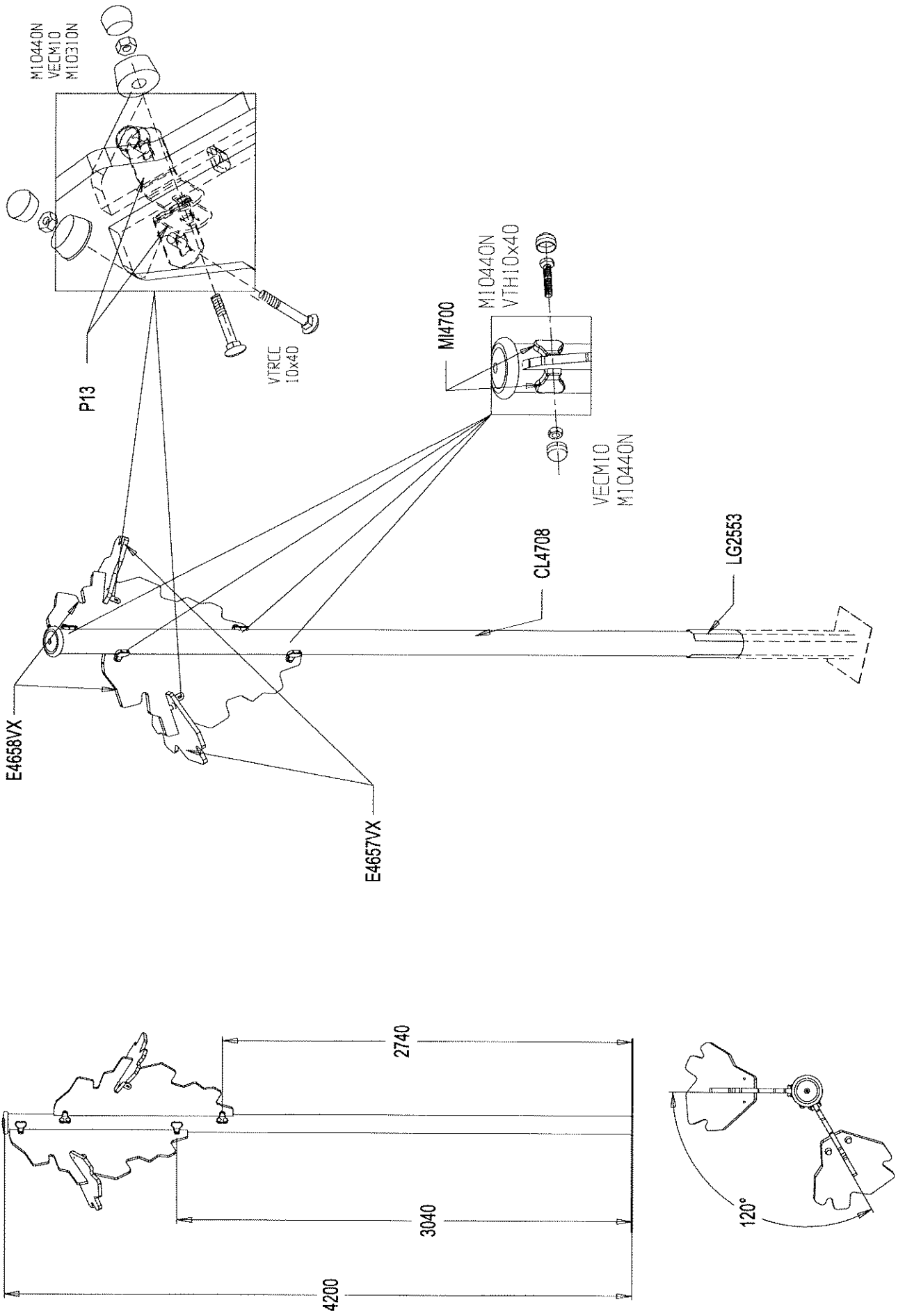
LG2553

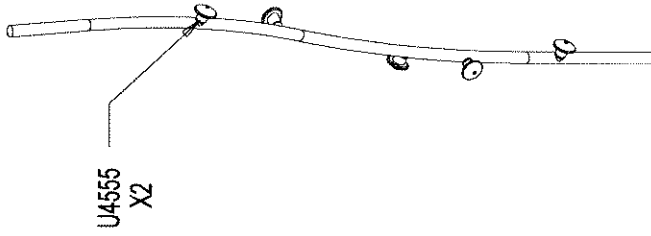
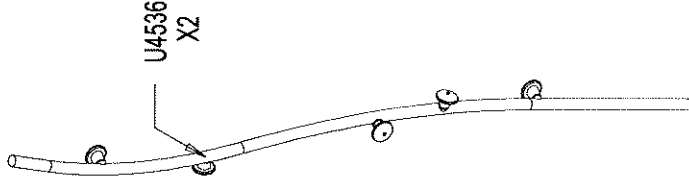
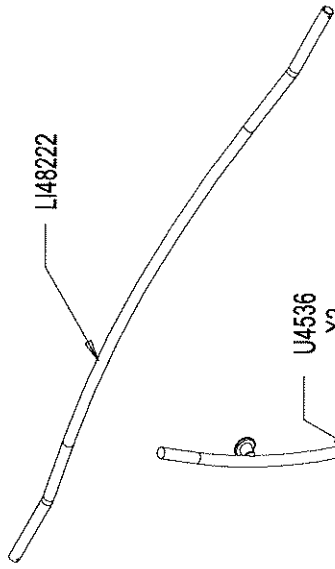
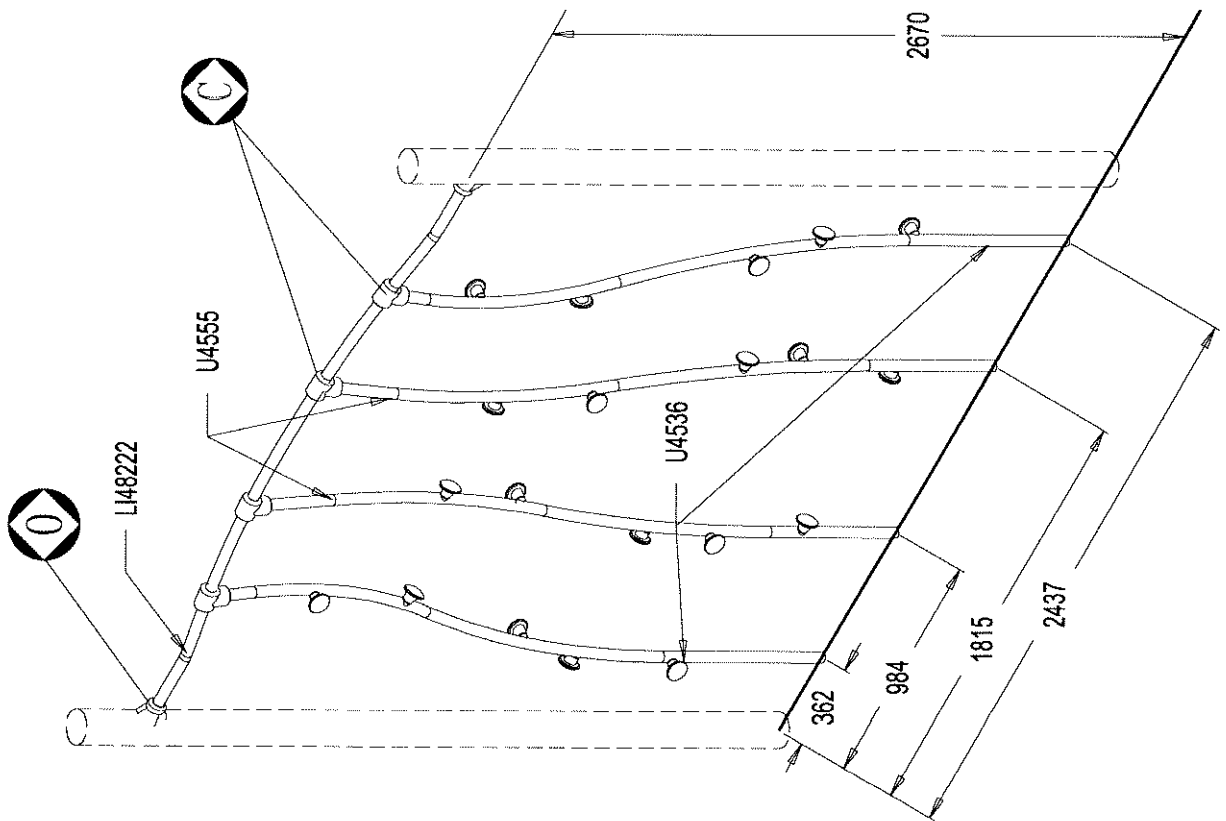


	VBT 7x60	1
	VTF 10x60	2
	VTRCC10X140	1
	MI0310N	3
	M10440N	4
	VECM10	1



	VTH 10x40	4
	VRCC10x40	6
	P13	4
	VBT 7x60	17
	VTF 10x60	2
	VRCC10x140	1
	M10310N	9
	M10440N	33
	VECM10	11

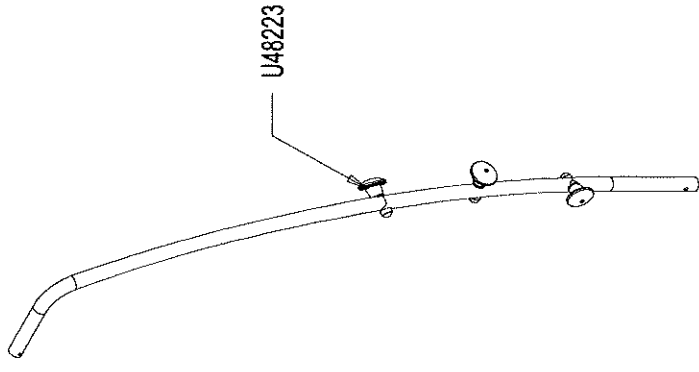
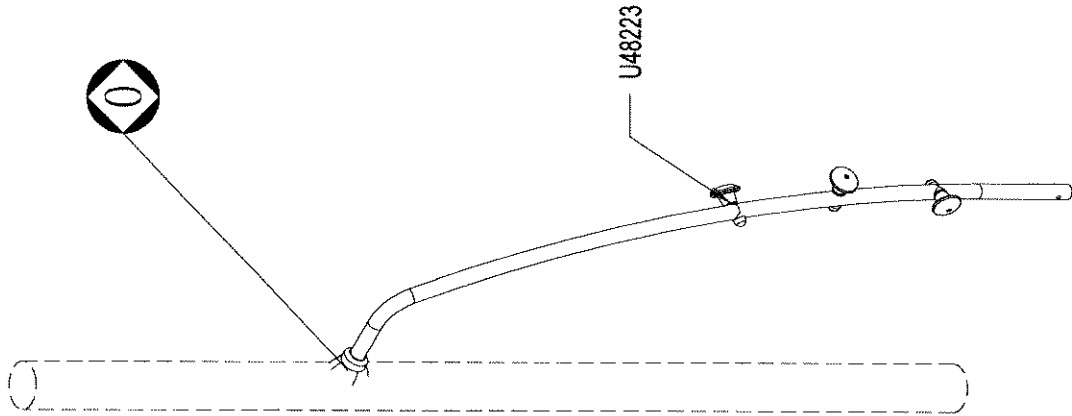



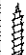



MI2502N x8



	VGC8*55I	2
	MI3701N	2
	VCZX 6x25	16
	VEBM6	16
	VBT7x60	8



	VGC8*55I	I
	VBT 7x60	4
	MI370IN	I