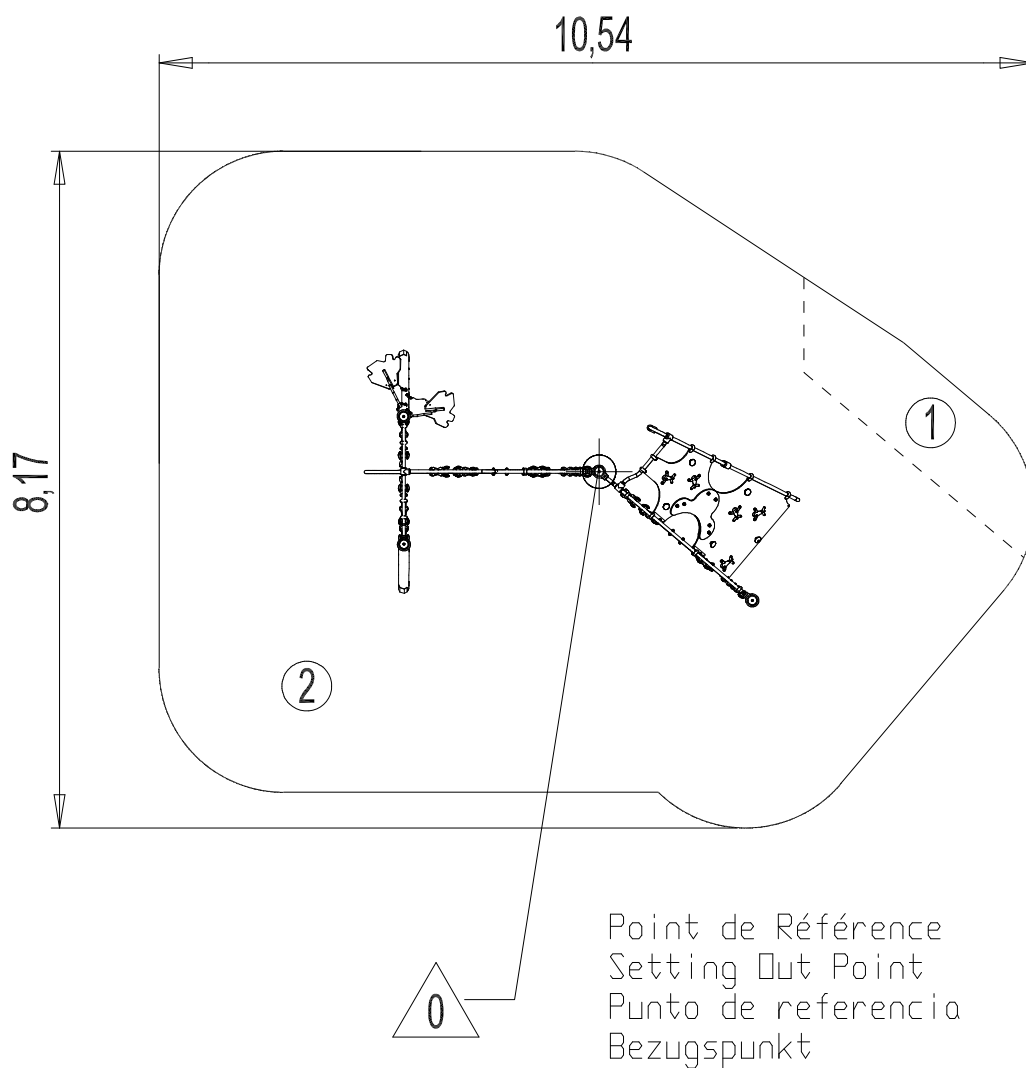
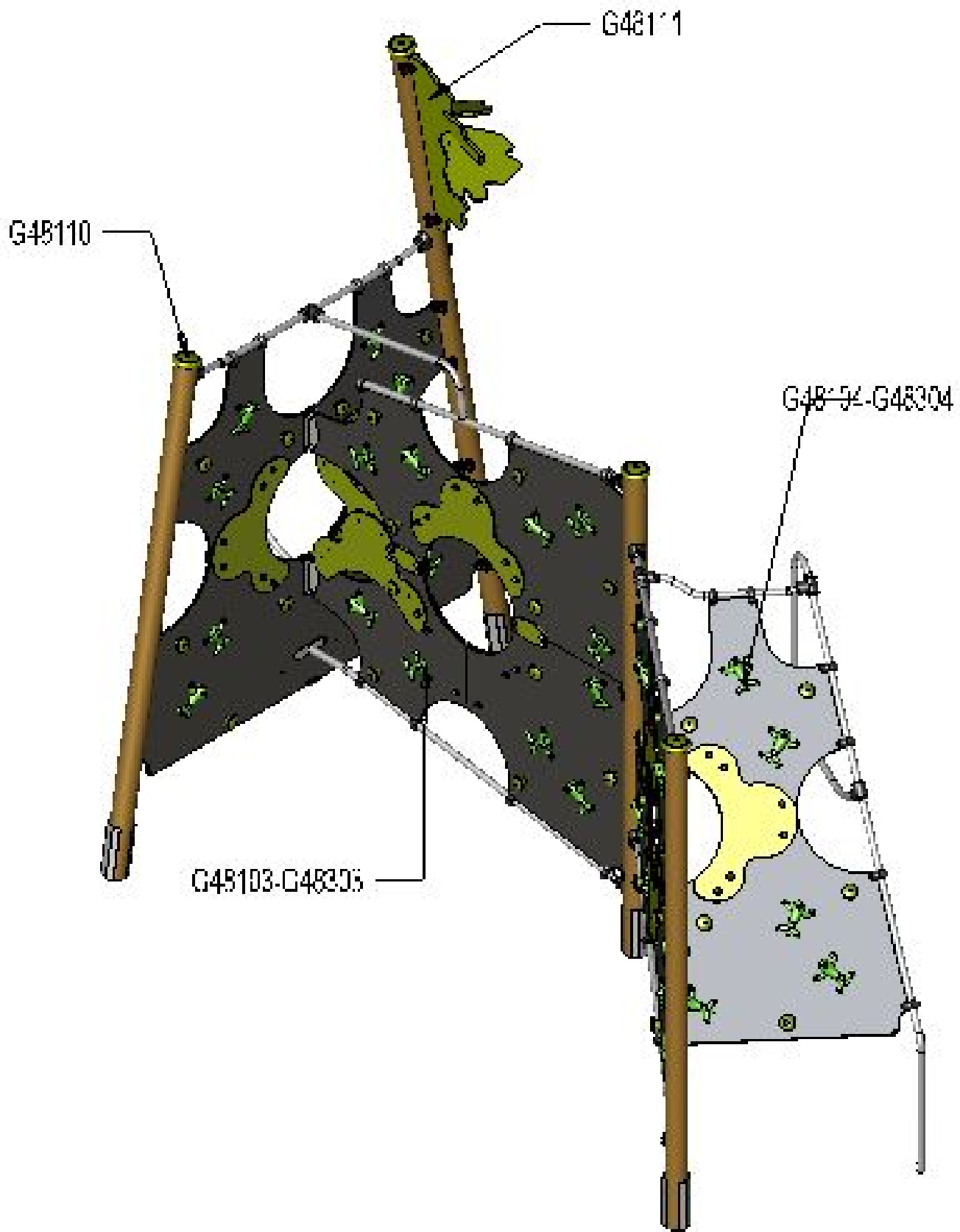


N°		M ²
①	2.6 m	4 m ²
②	2.9 m	65.5 m ²

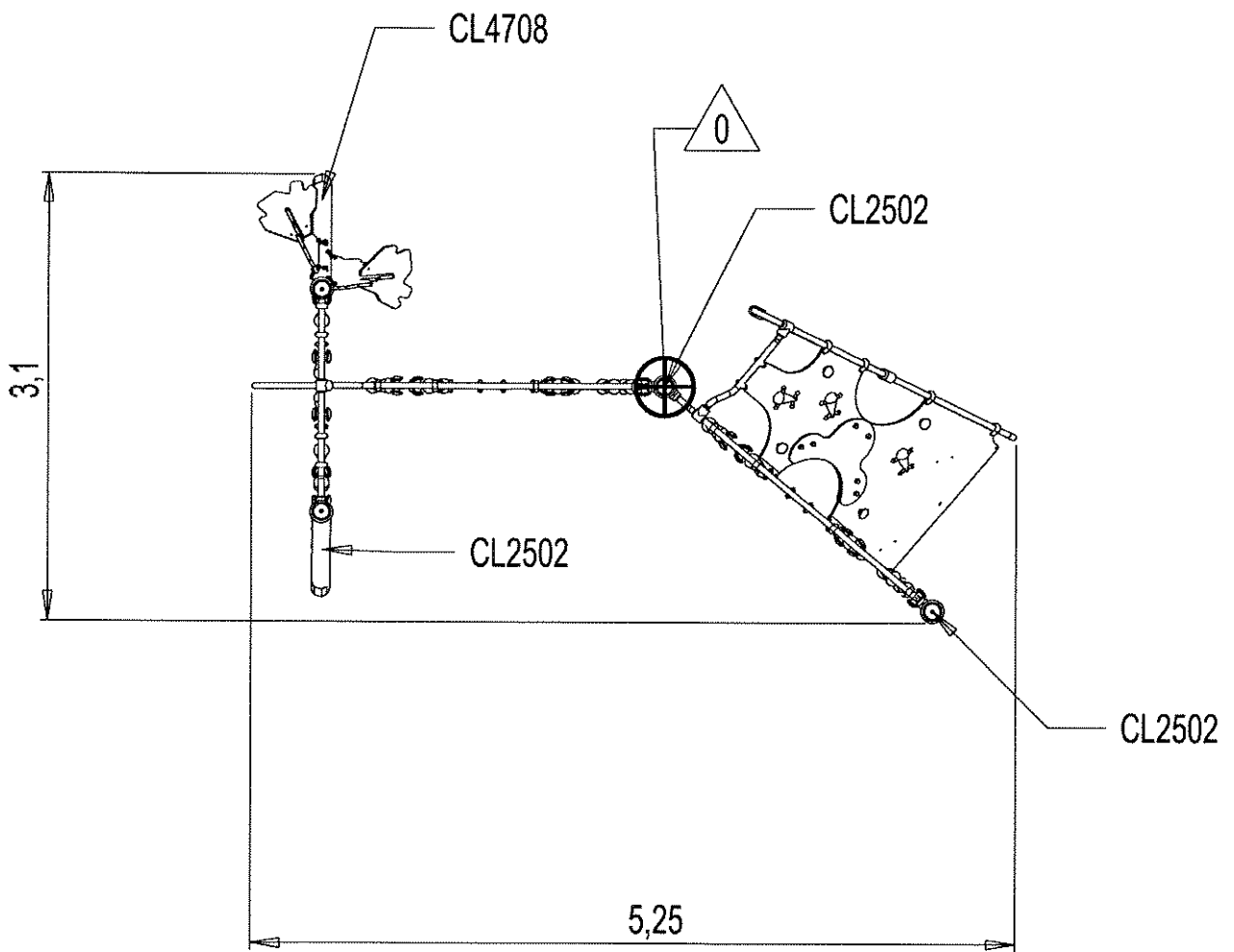
— Zone d' Impact
 Impact Area
 Area de Impacto
 Fallraum

EN 1176-1 : 2017

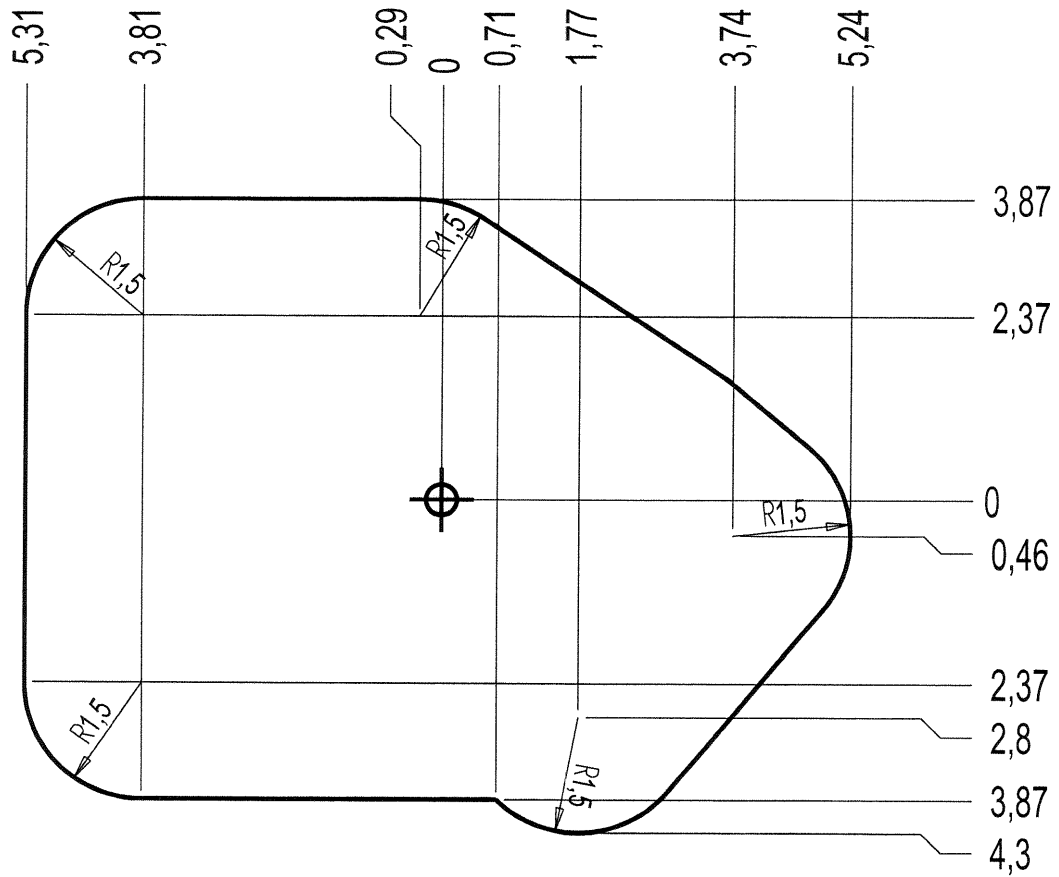




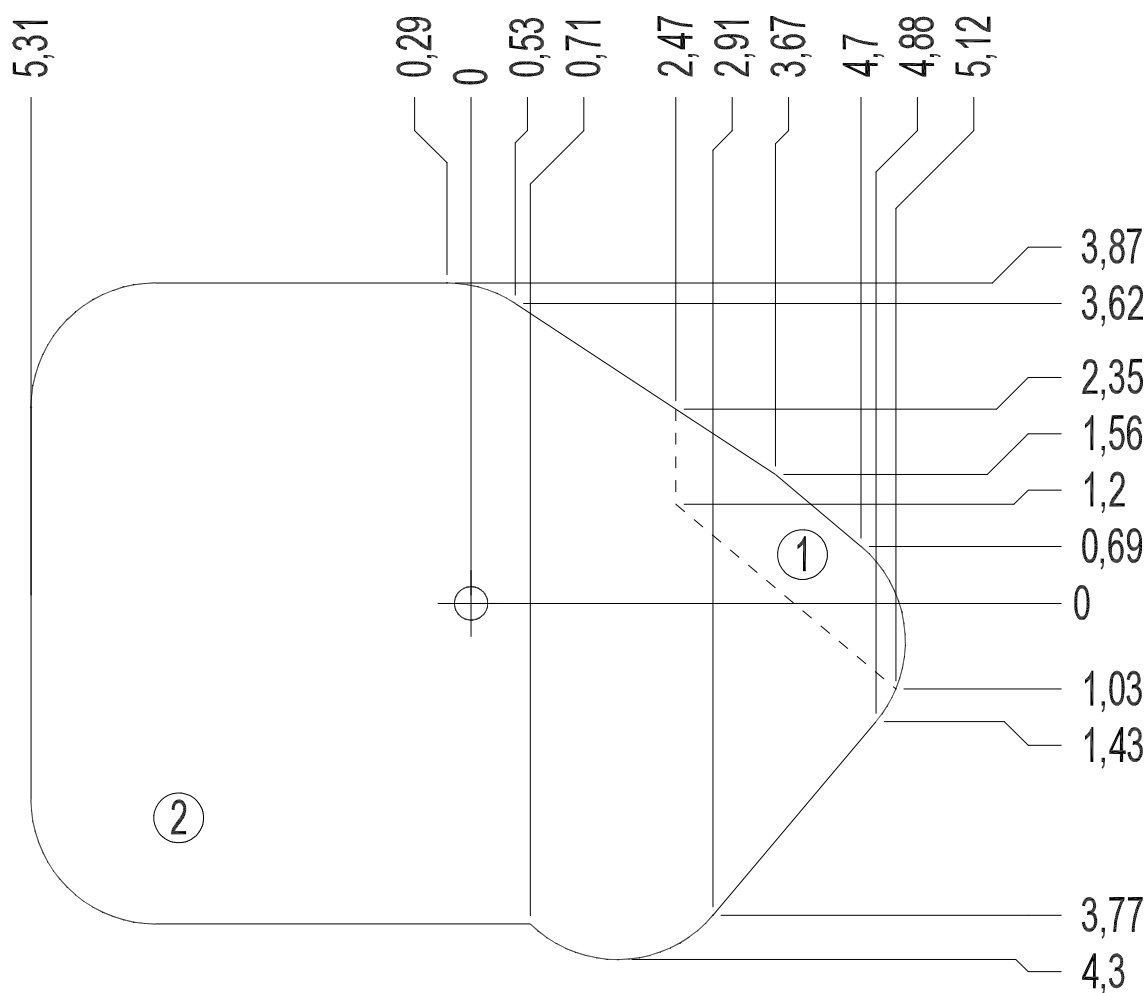




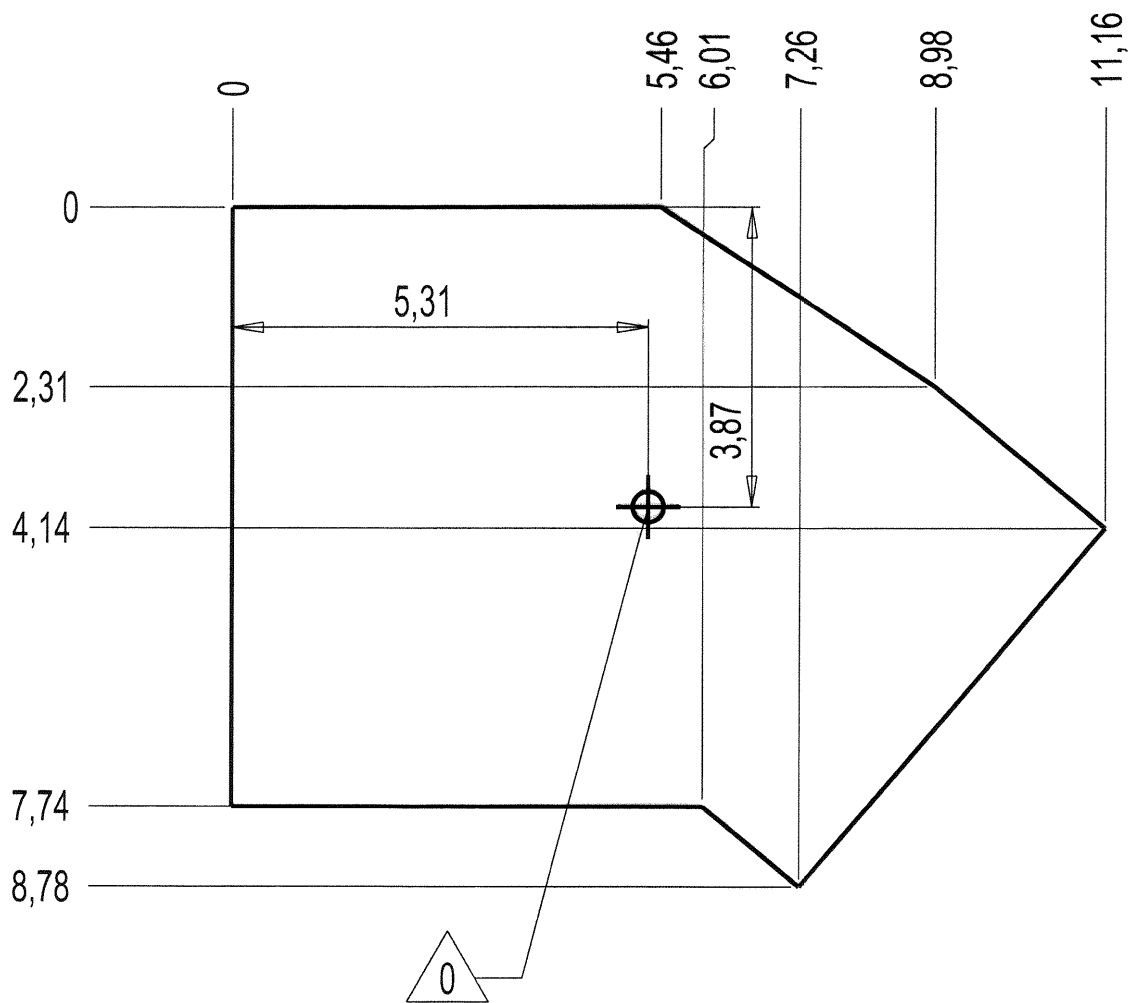
— Zone d'Impact 69.5 m²
Impact Area
Area de Impacto
Fallraum



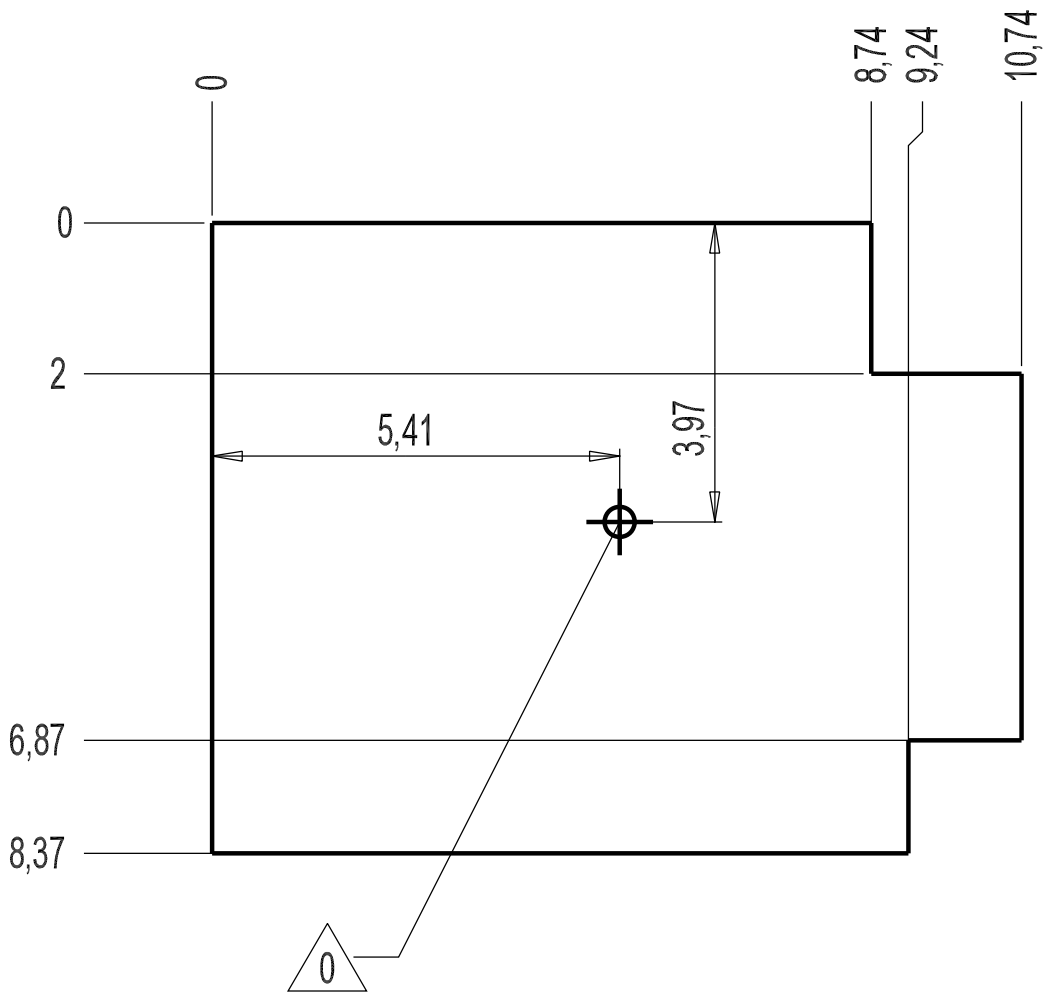
— Sol souple **69.5 m²**
 Wetpour
 Caucho Continuo
 Synthetischer Fallschutz



— Dalle béton 34 m
Concrete pad 71 m²
Solera de Hormigón
Beton Bodenplatte



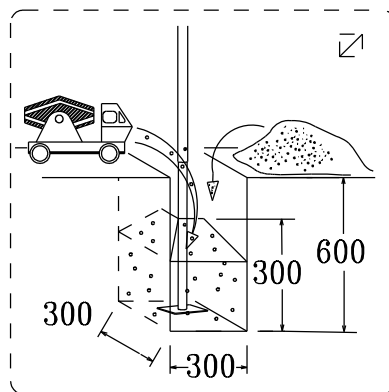
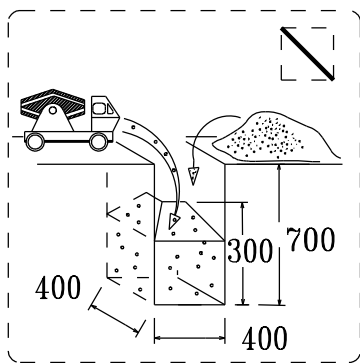
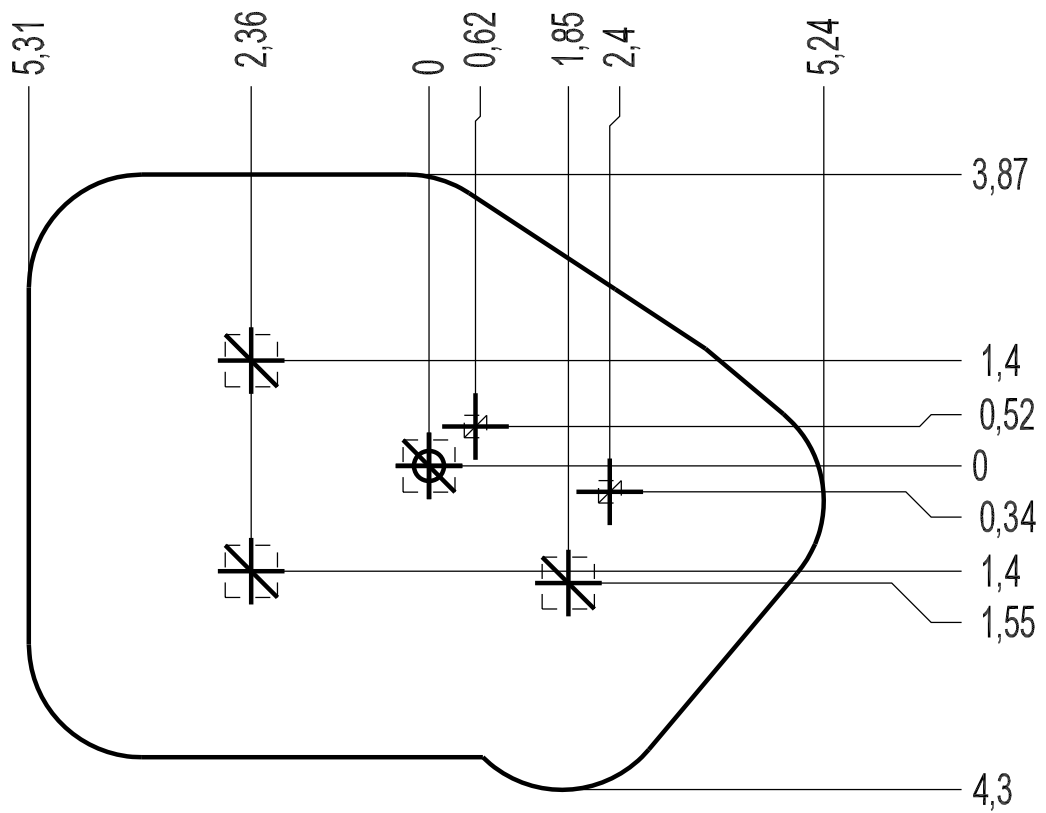
- Sol fluent 39 m
- Loose particle material 84 m²
- Arenero
- Loses Bodenmaterial






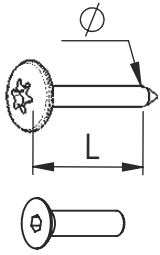
J48104A

ProLudic

Implantation
 Footing plan
 Implantación
 Fundamentplan

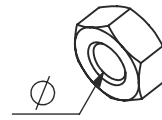


 x4	 7H	 0.3m ³
---	--	---

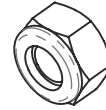


VBT 6 x 30
 \varnothing L (mm)

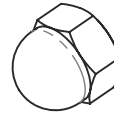
VFHC



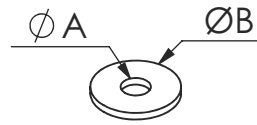
VEC M10
 \varnothing



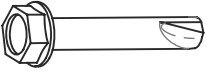
VEF




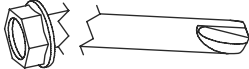
VEB



VR6x18
 $\varnothing A$ $\varnothing B$




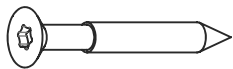
VTHA

1000 - 1800 tr/min
 Vitesse de rotation
 Rotation speed

14 N.m
 Couple de rupture
 Torque of break

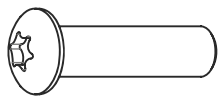




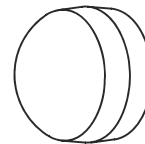
VWT



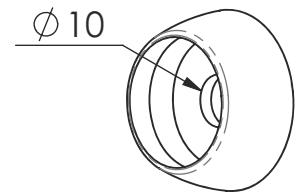
VGC



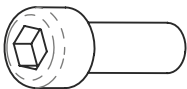
VCBHC



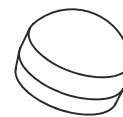
M10 440N



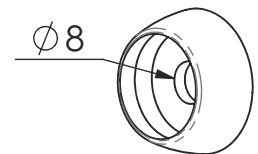
M10 310 N



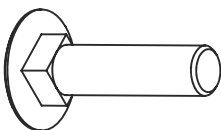
VBTR



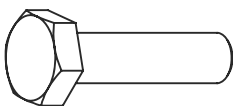
M8440N



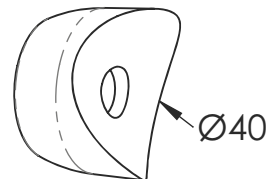
M8310N



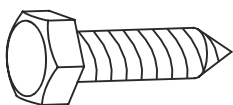
VTRCC



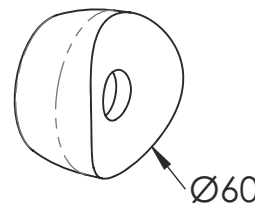
VTH



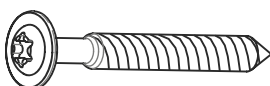
MI2503



VTF



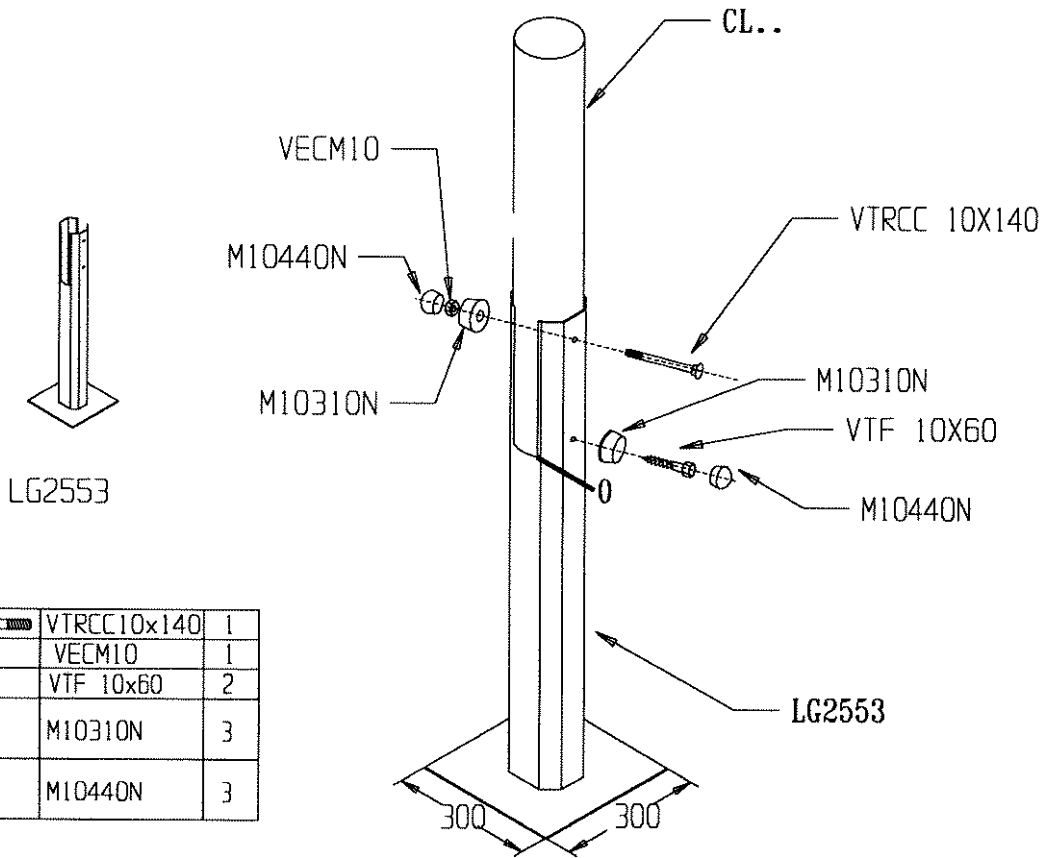
MI2701



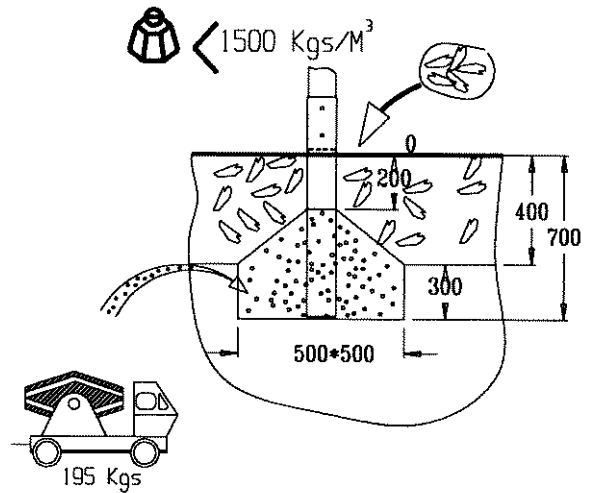
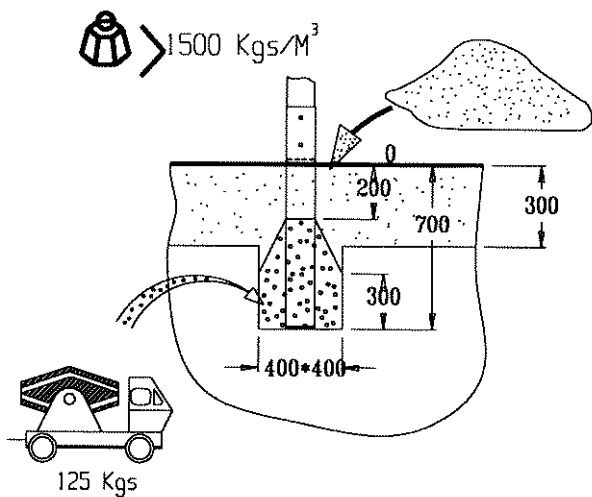
VBT

A

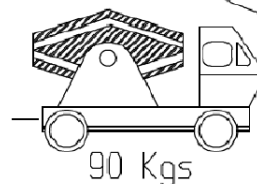
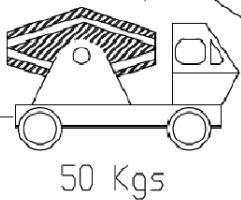
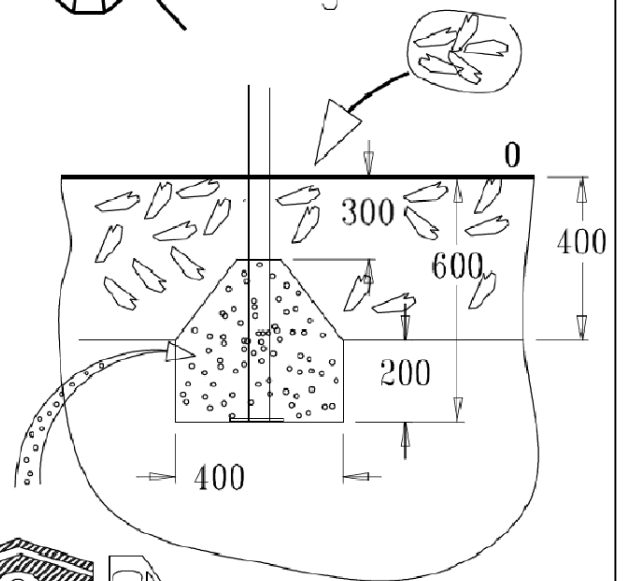
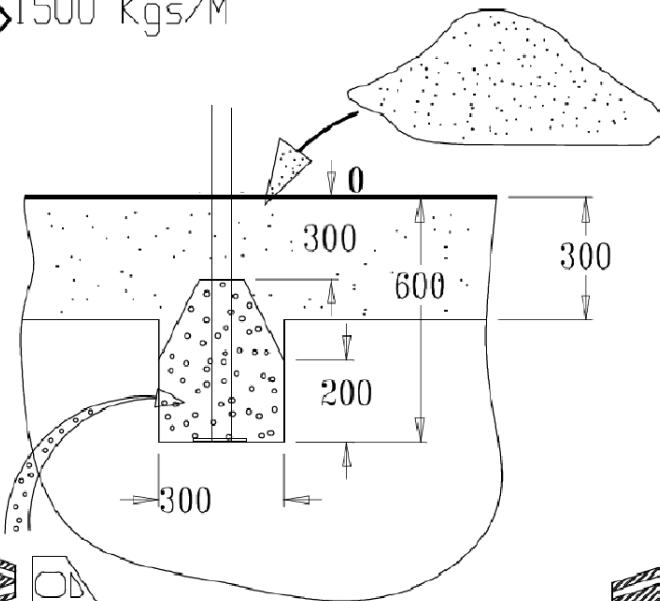
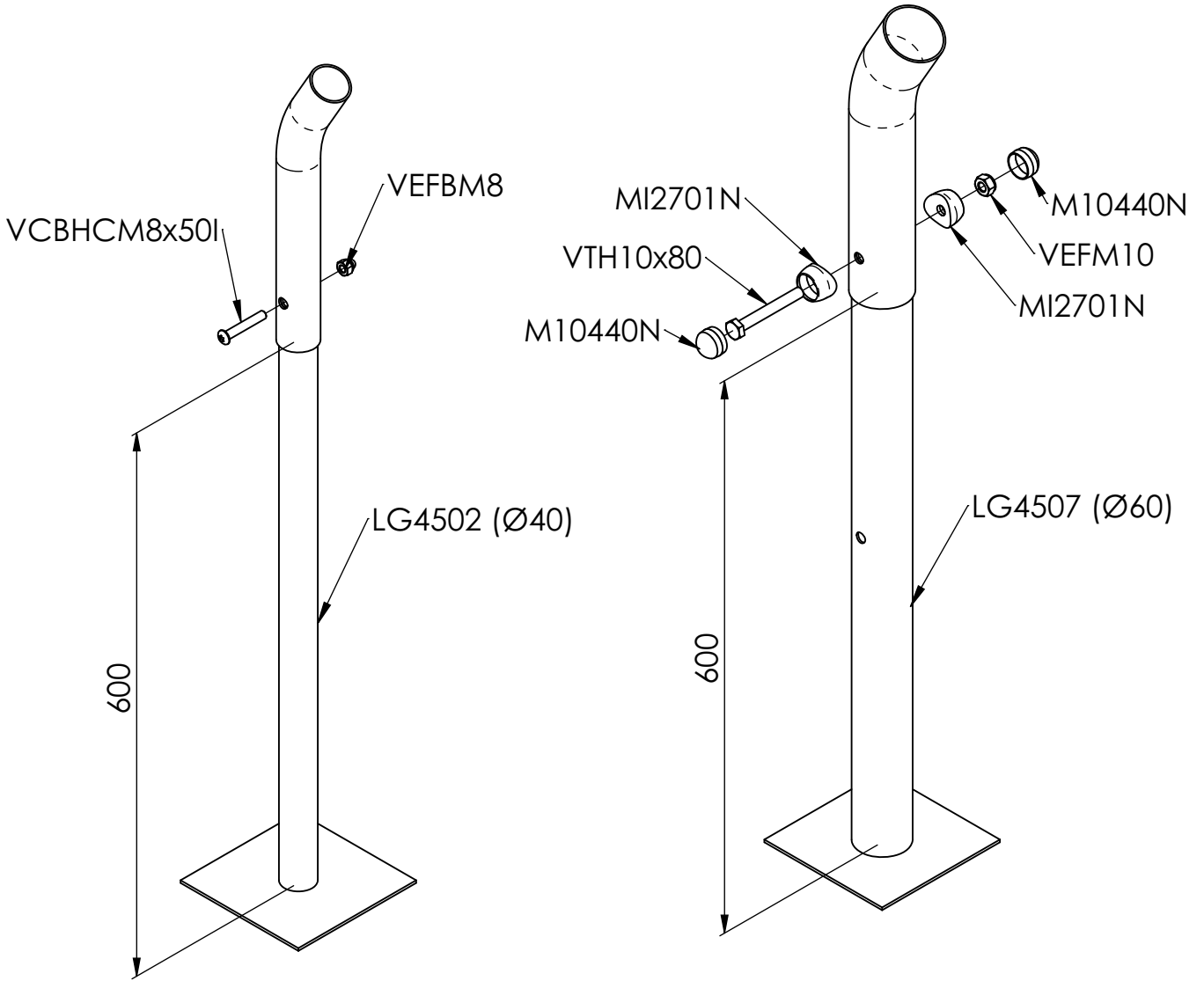
ProLudic

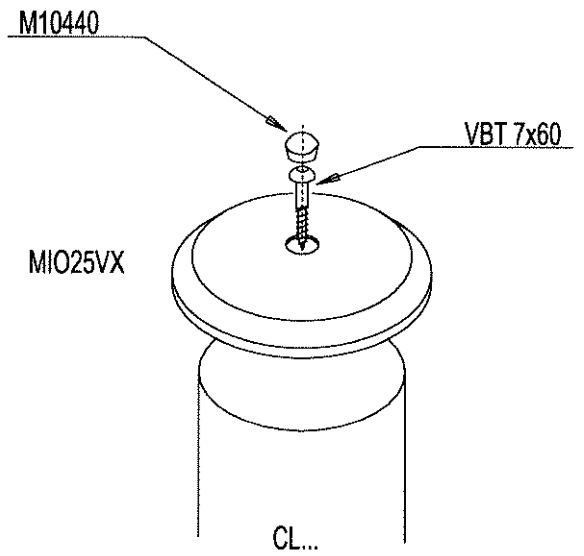
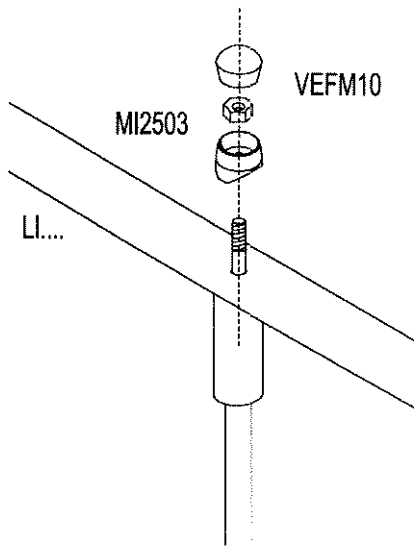


	VTRCC 10x140	1
	VECM10	1
	VTF 10x60	2
	M10310N	3
	M10440N	3

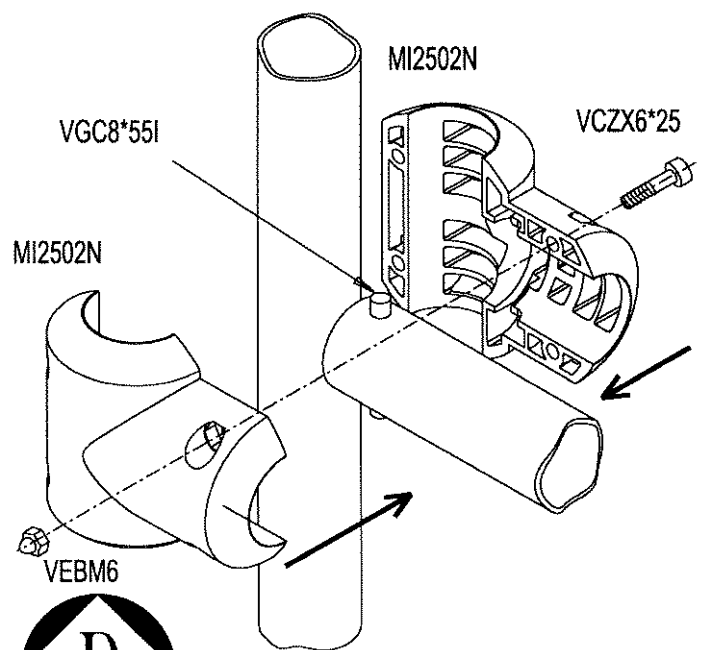
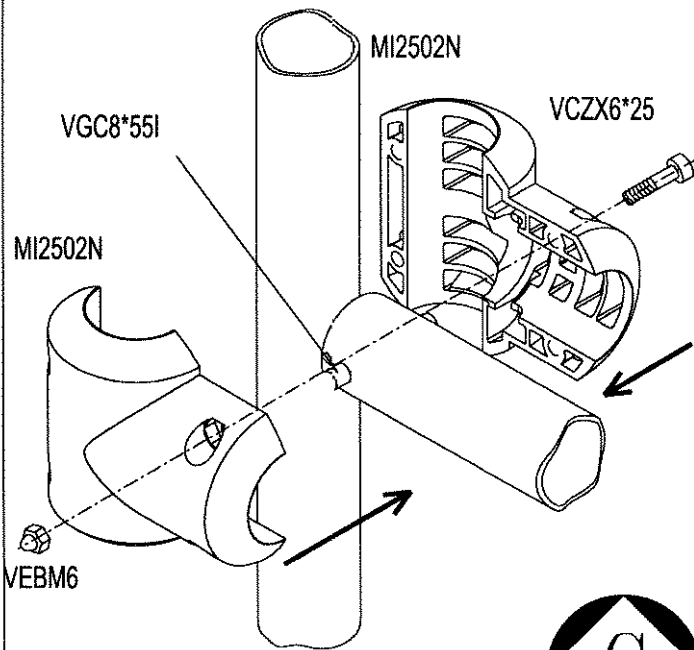


04-05-10

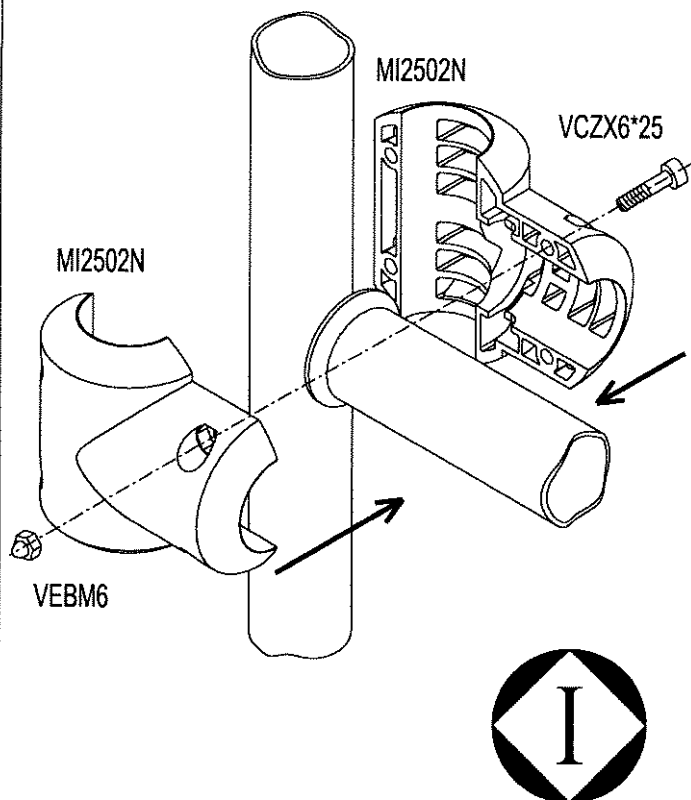




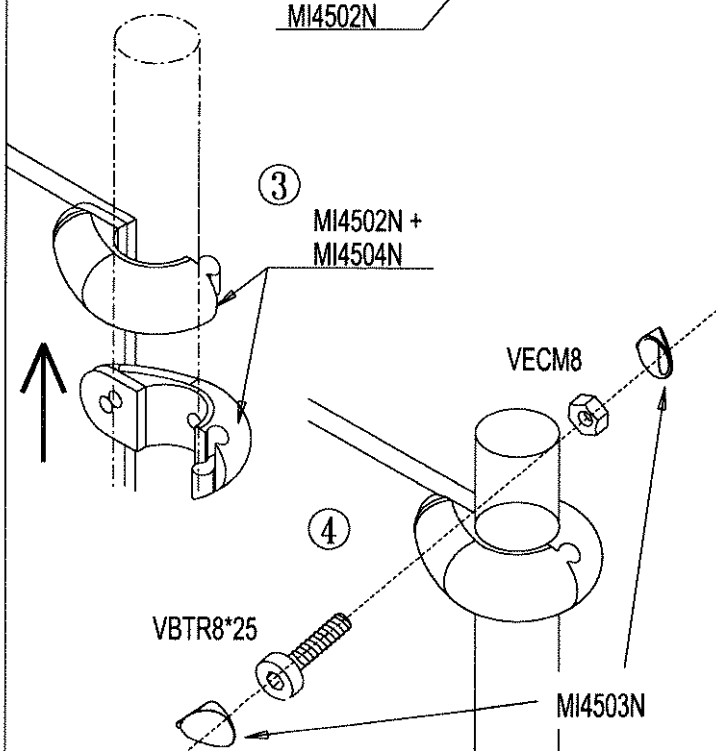
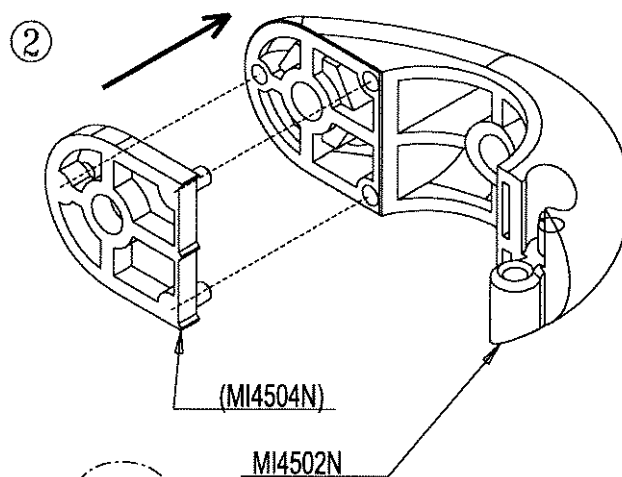
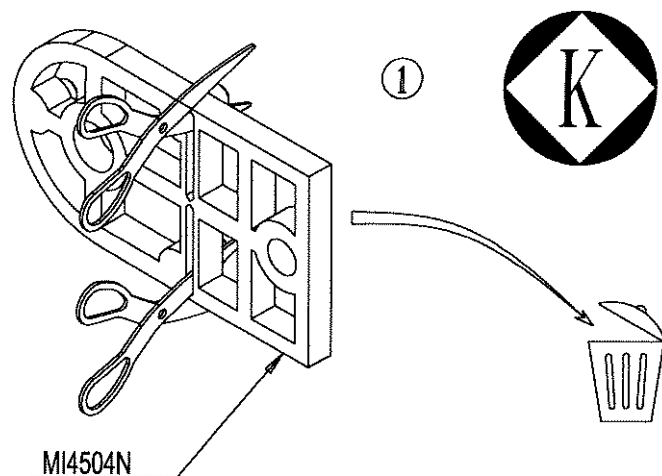
MI2502N + VGC8*55I



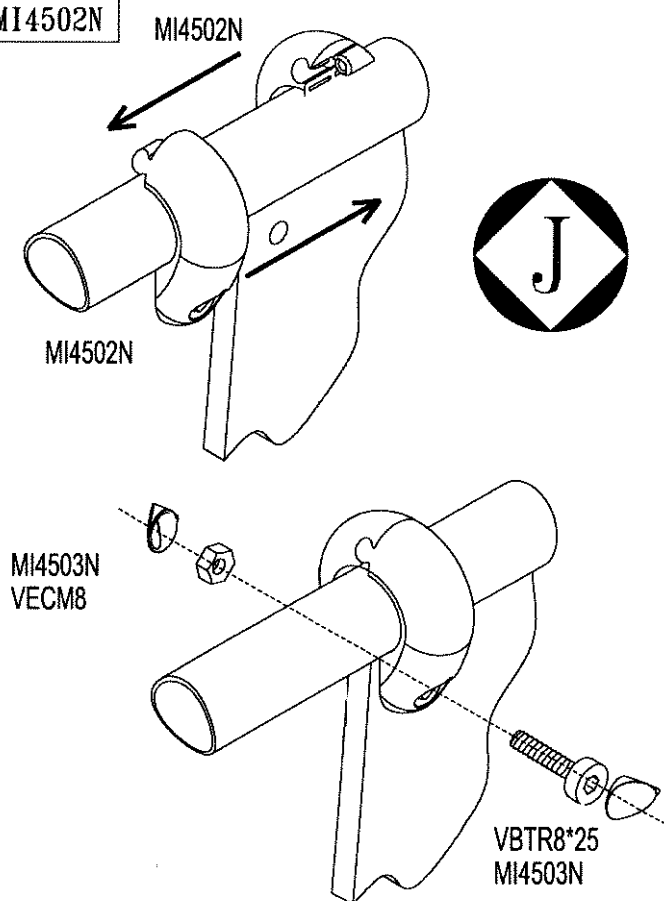
MI2502N



MI4502N + MI4504N

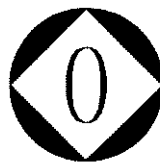
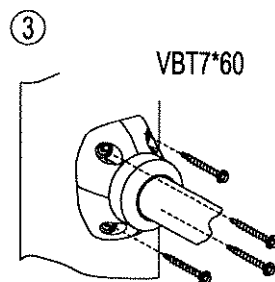
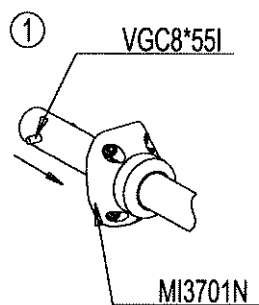
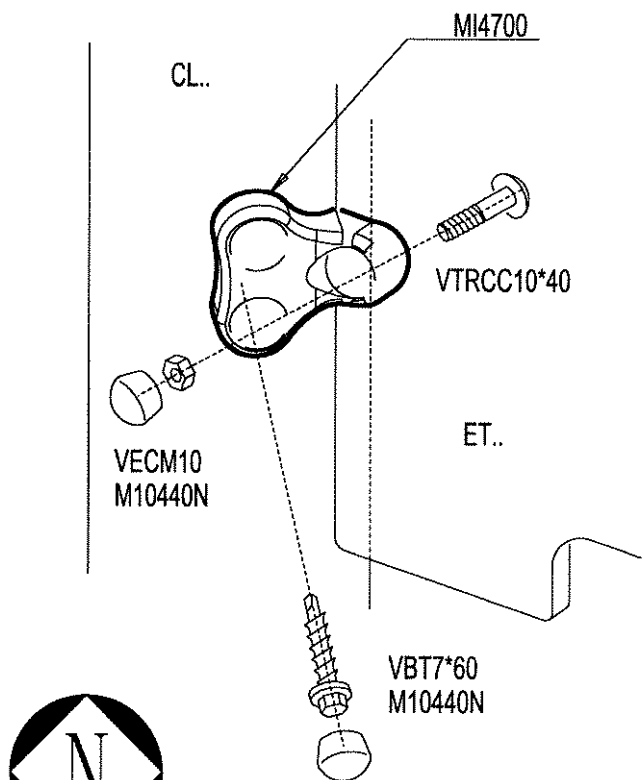


MI4502N

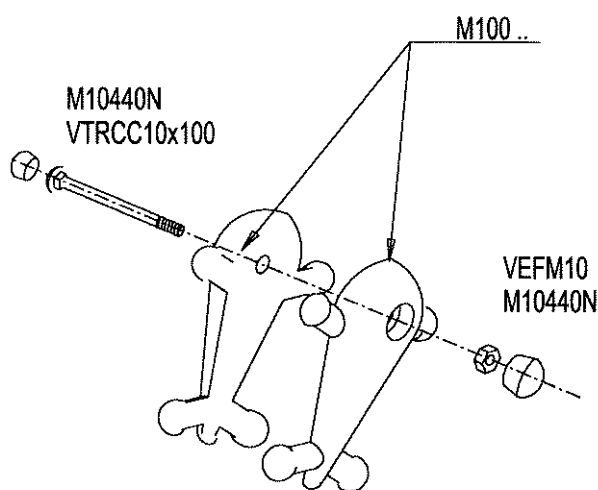
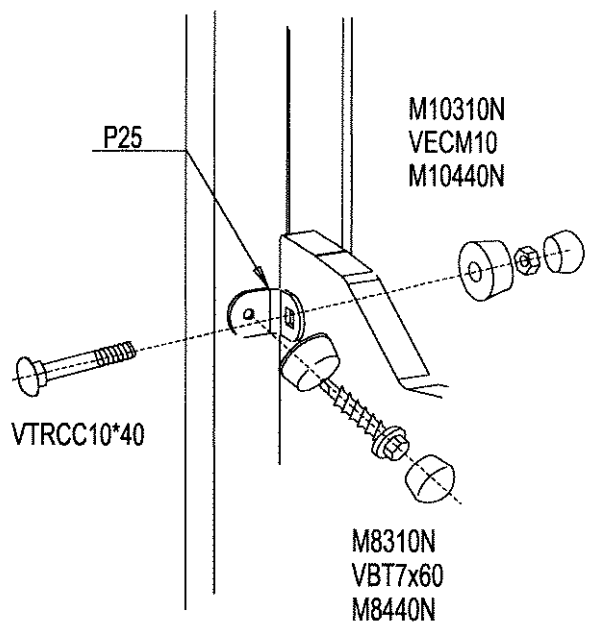


MI4700

MI3701N



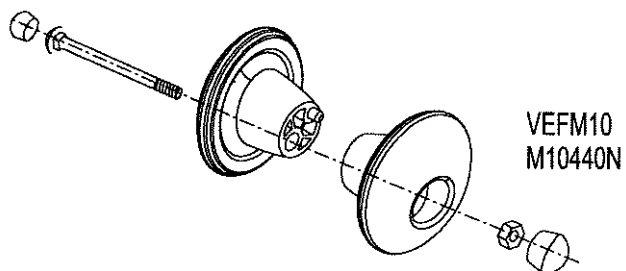
M100..



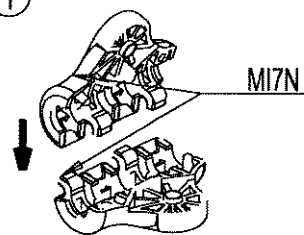
MI4700

MI3701N

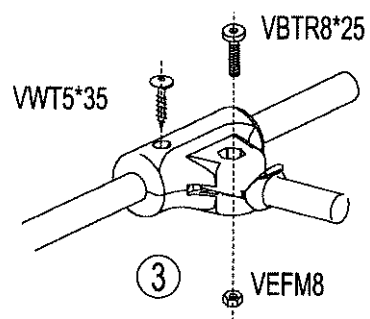
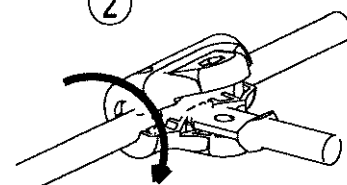
M10440N
VTRCC10x100



①

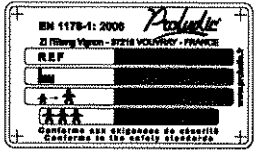


②



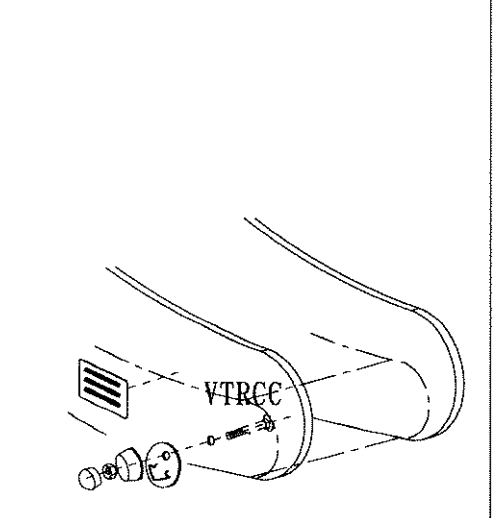
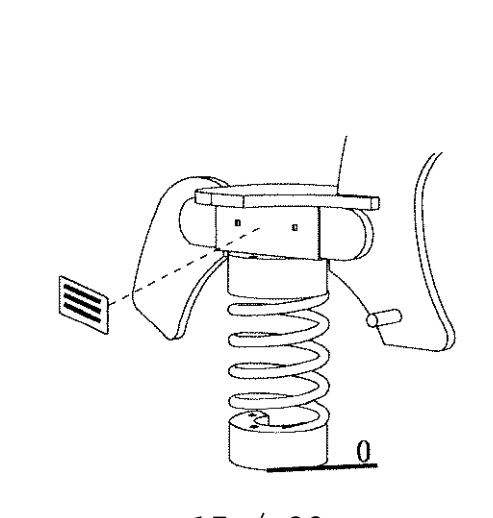
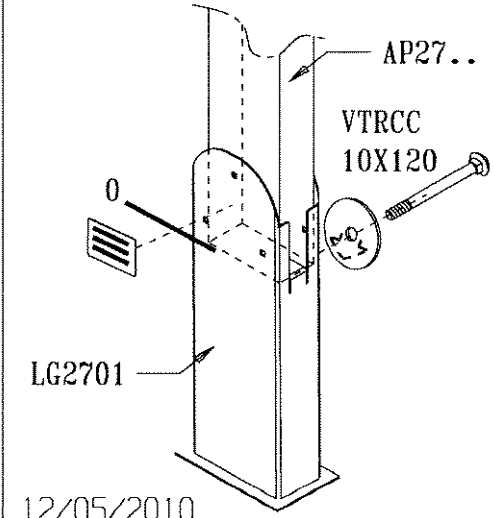
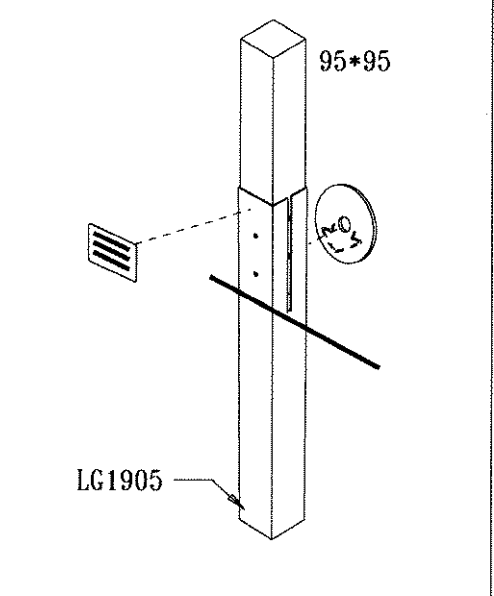
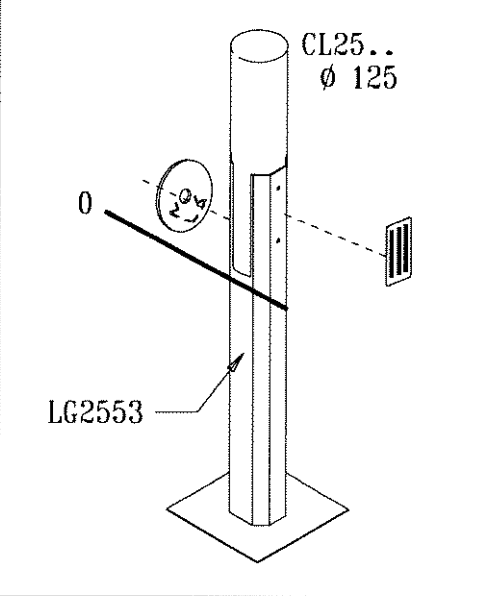
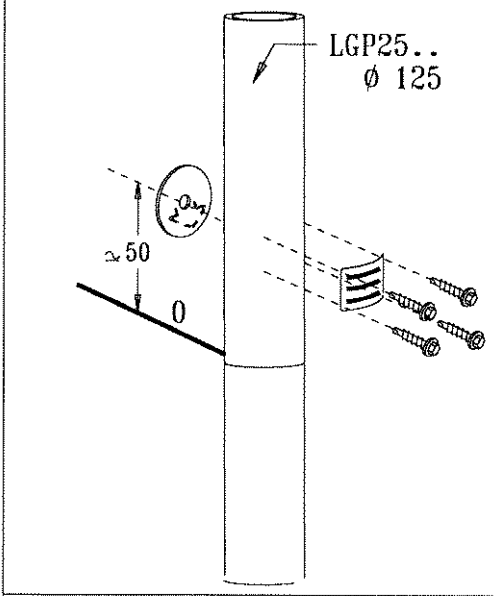
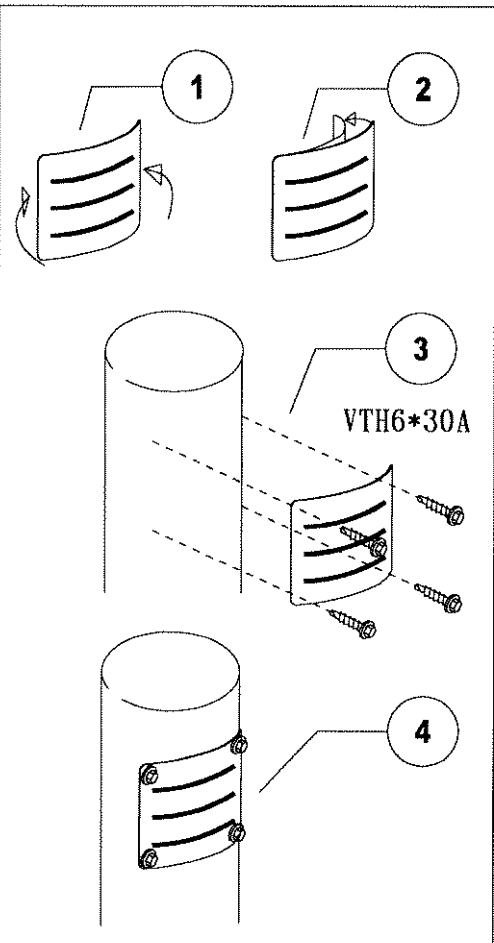
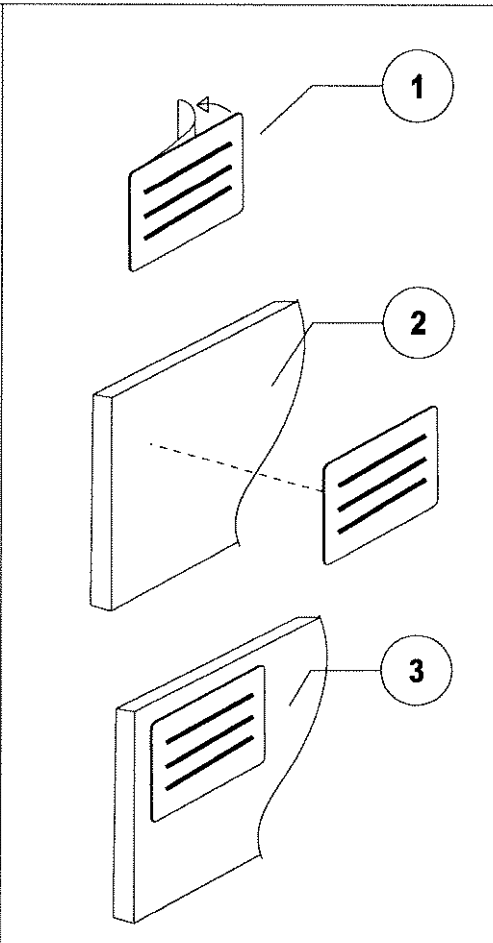
③

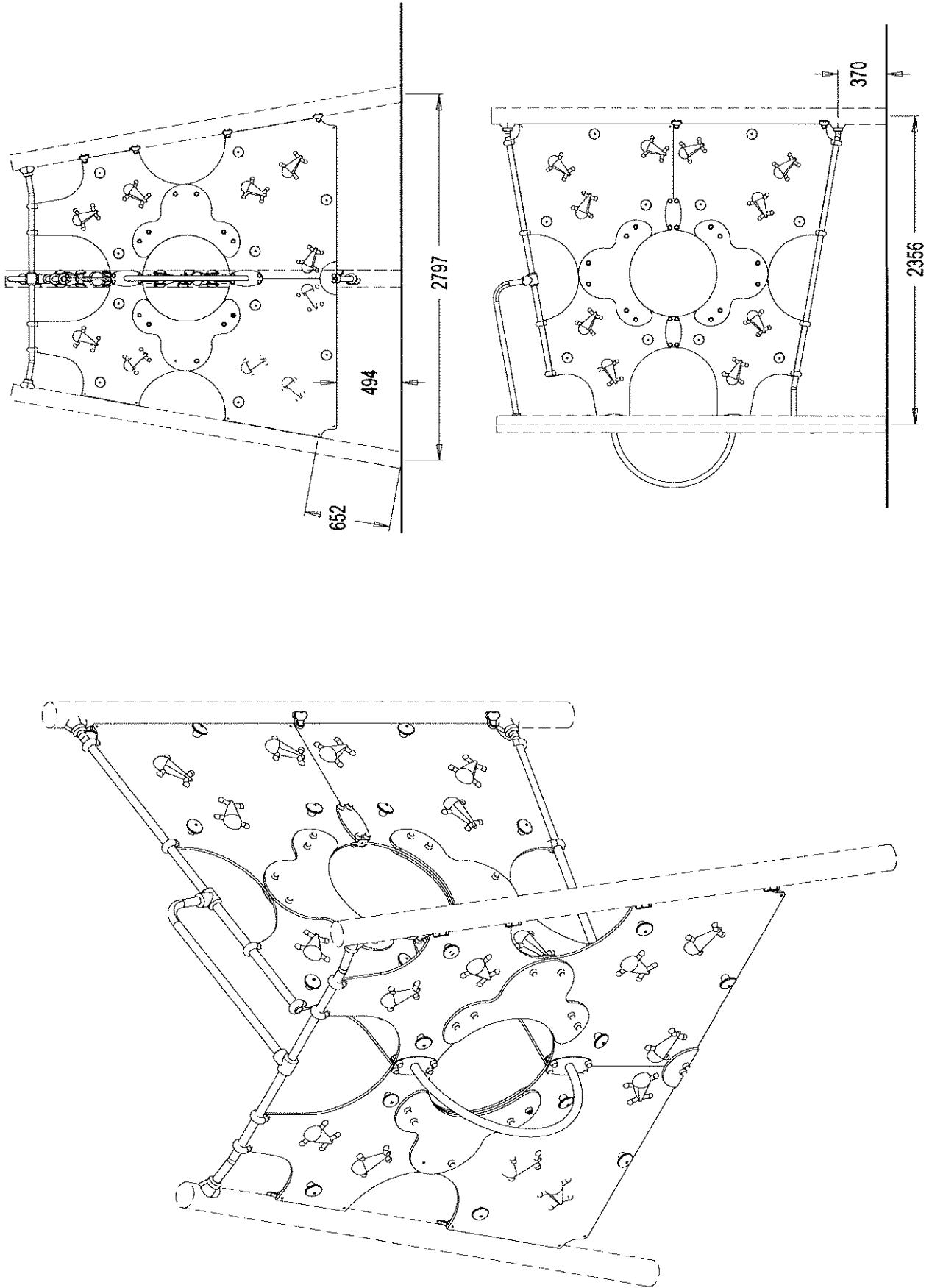


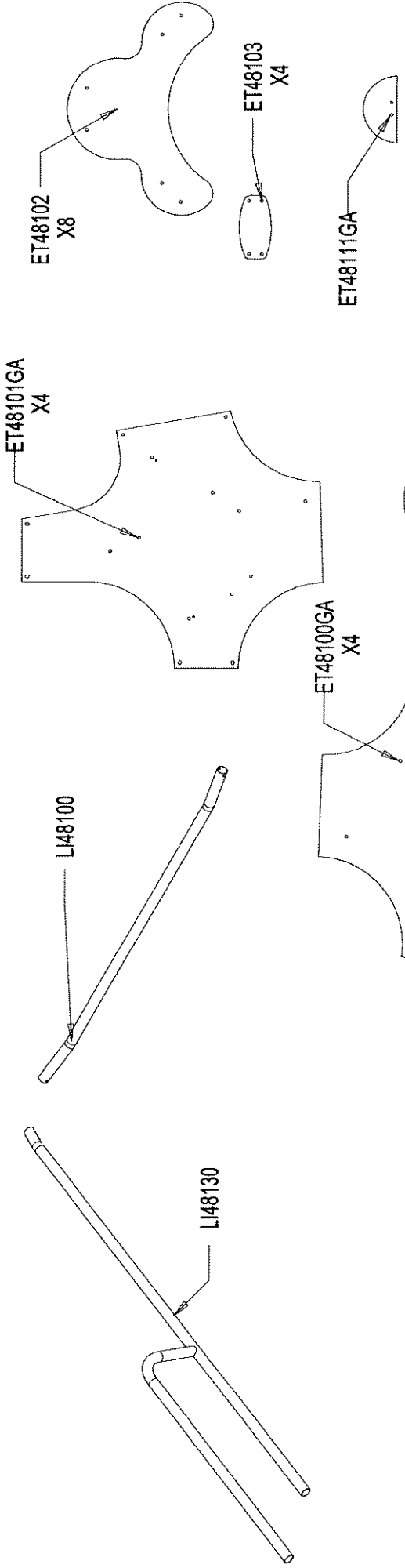


LA000

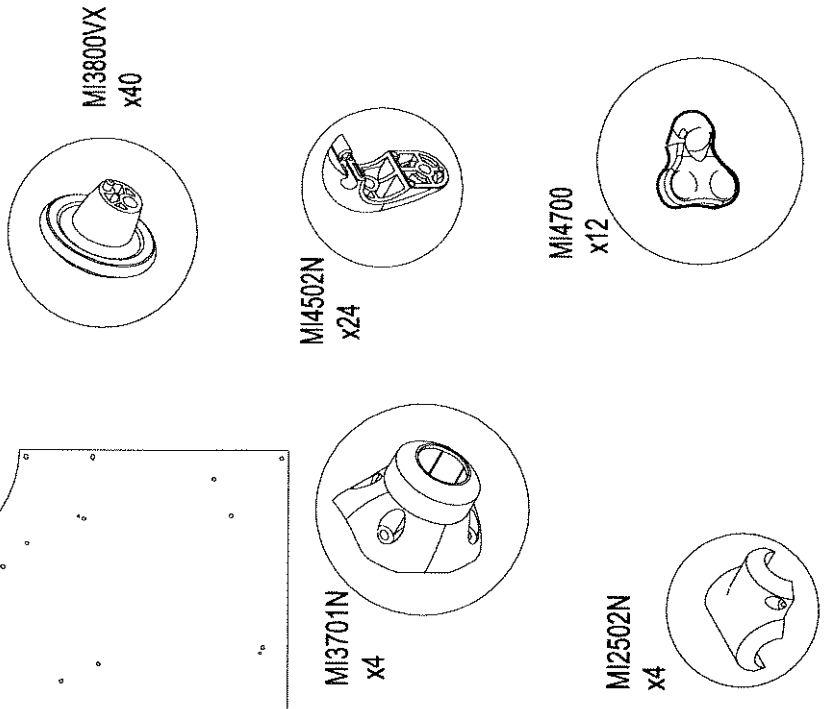
MI0002

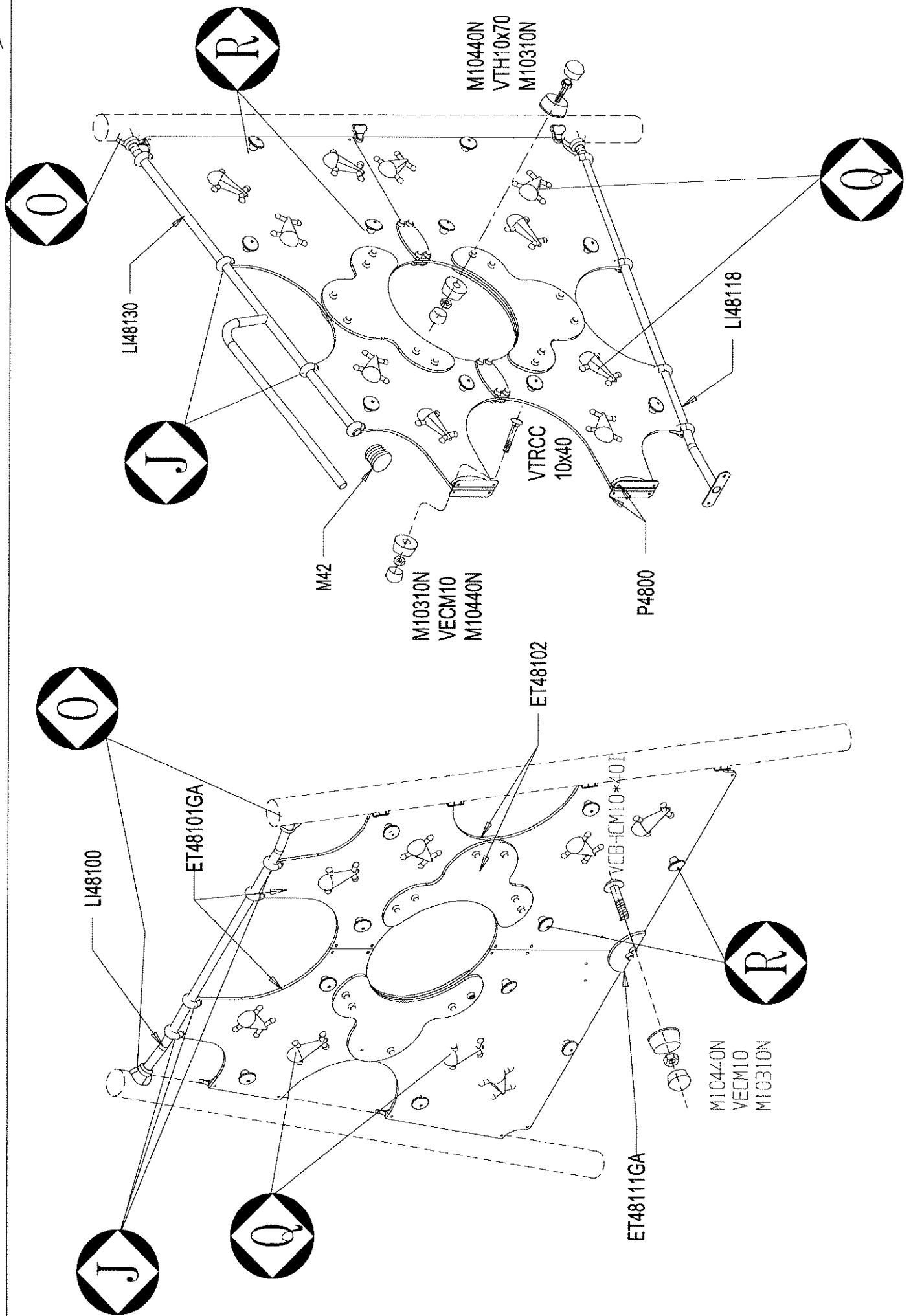


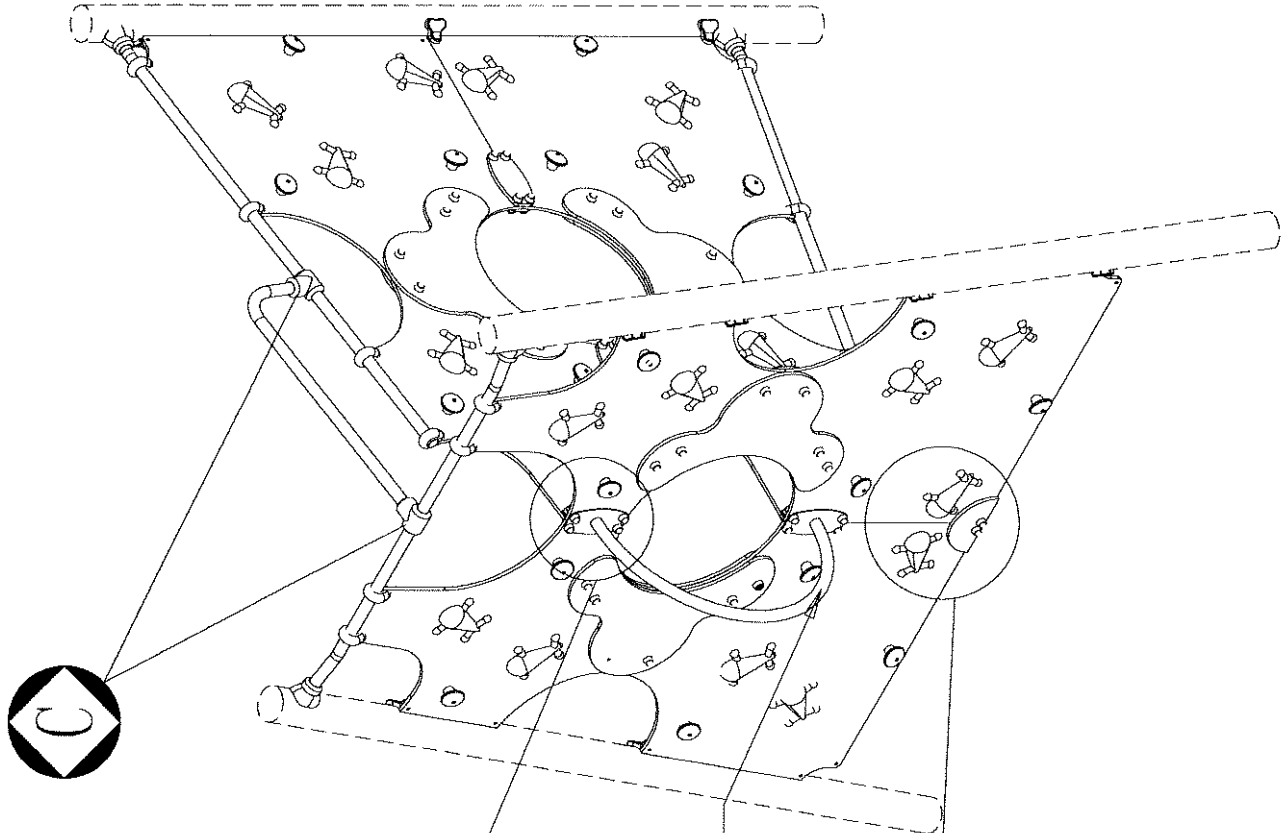




	VTH 10x60	32
	VCZX 6x25	8
	VEBM6	8
	VECM8	12
	VBTR8*25	12
	MI4503N	24
	VTRCC10x100	39
	VTRCC10x40	14
	VBT 7x60	40
	VEBHC10*30I	12
	M10310N	78
	M10440N	192
	VECM10	58
	VGC8*55I	2
	VTRCC10x60	2
	VEFM10	39
	M42	1







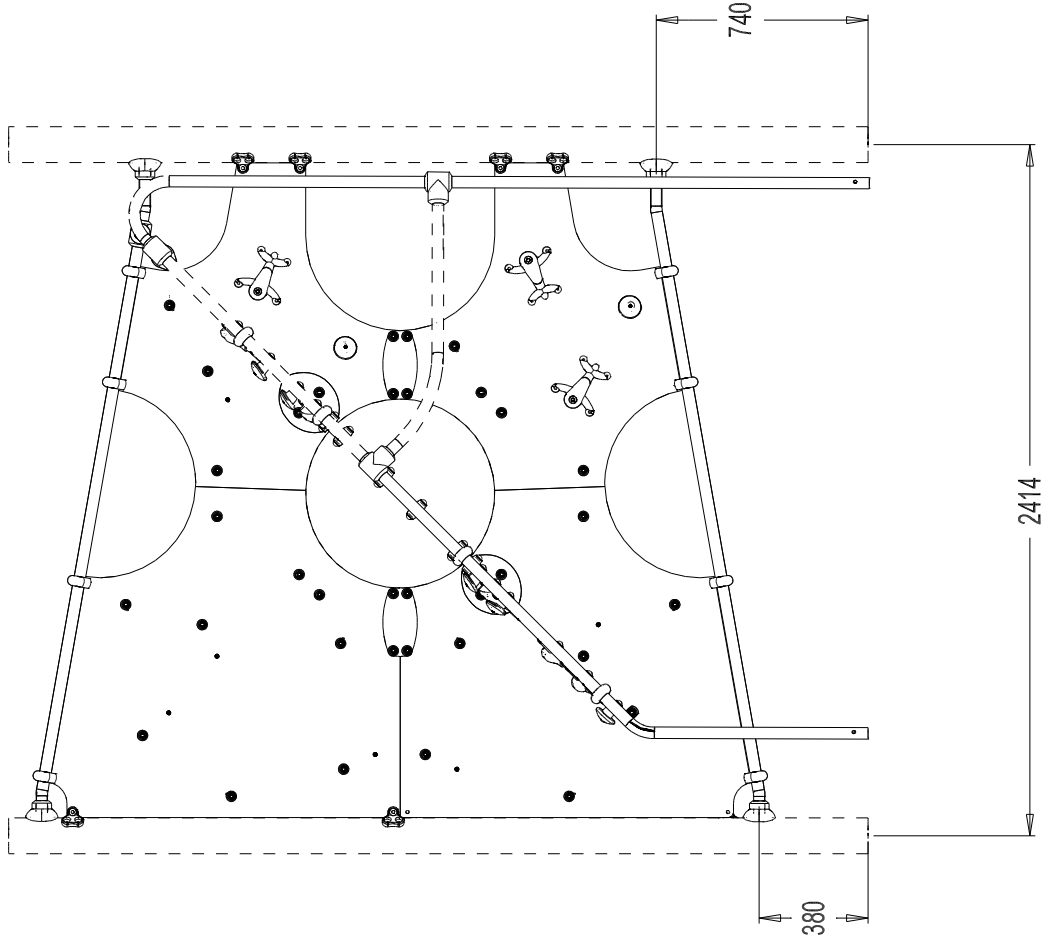
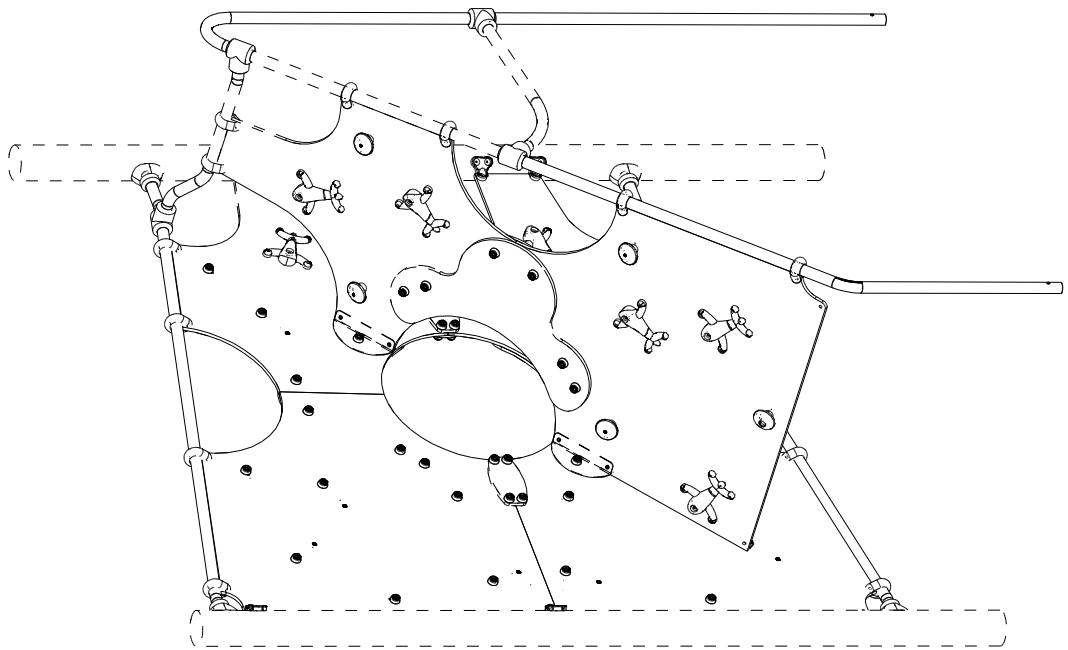
LI48120

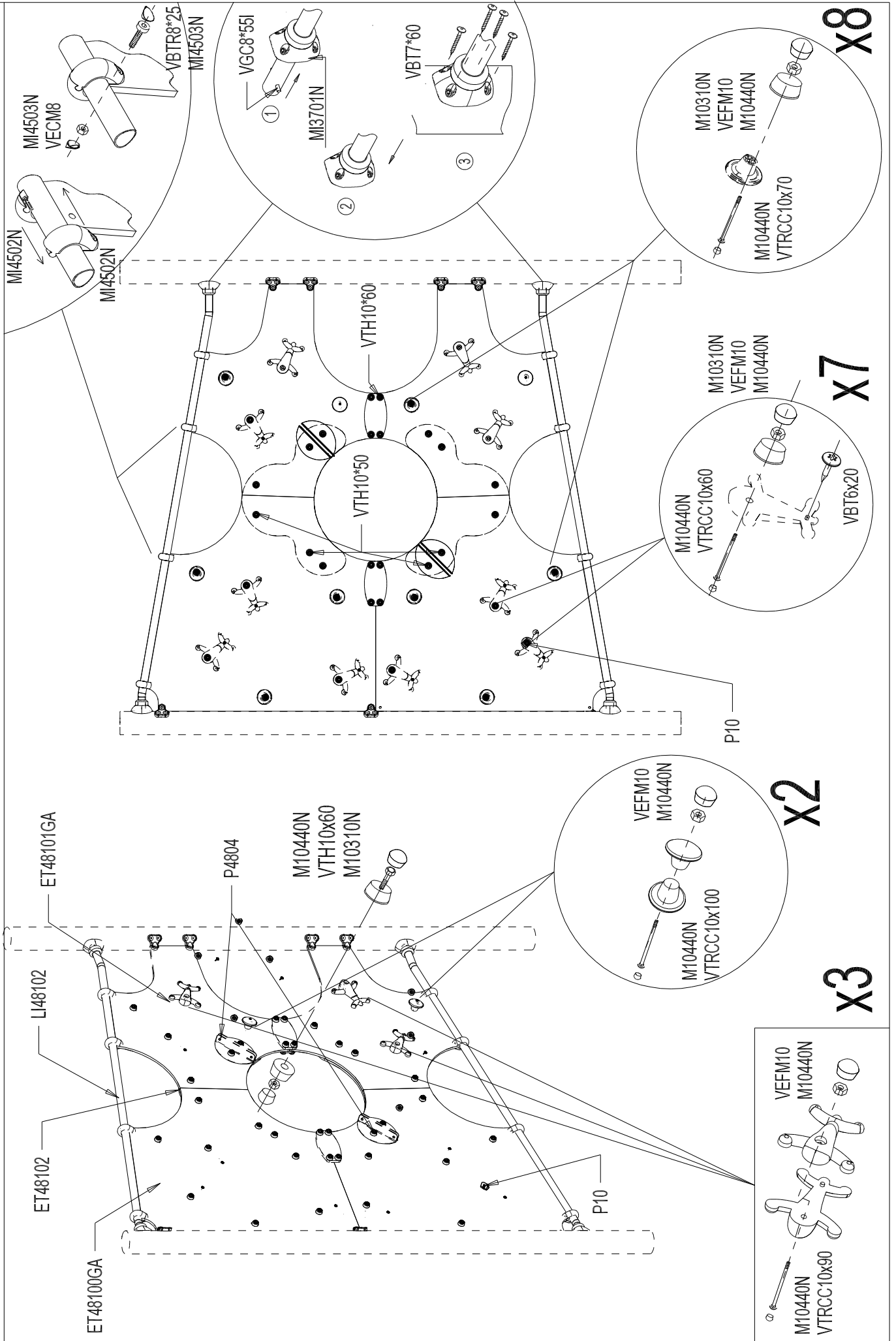
M10310N
VECM10
M10440N

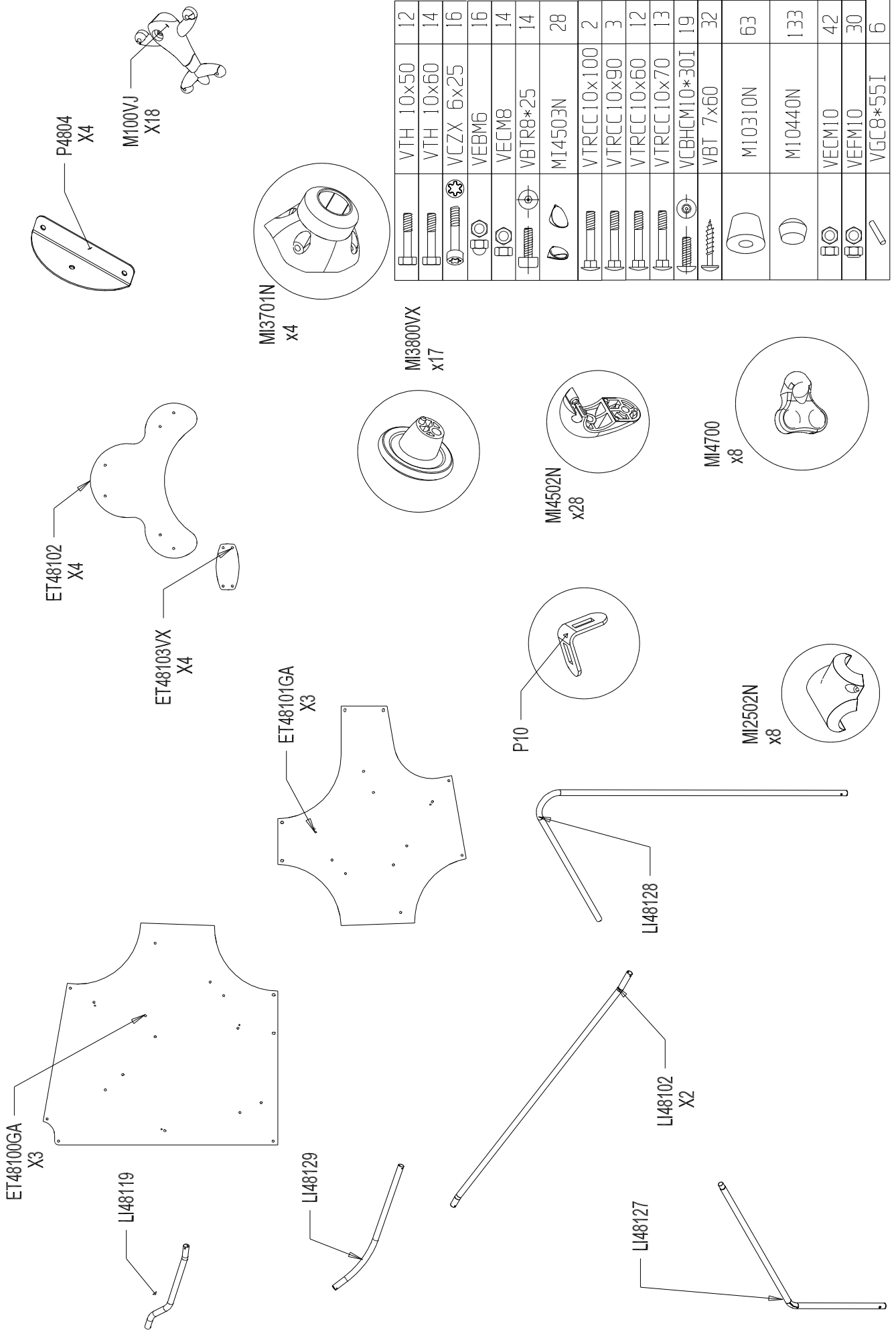
VTRCC
10x40

M10440N
VECM10
M10310N

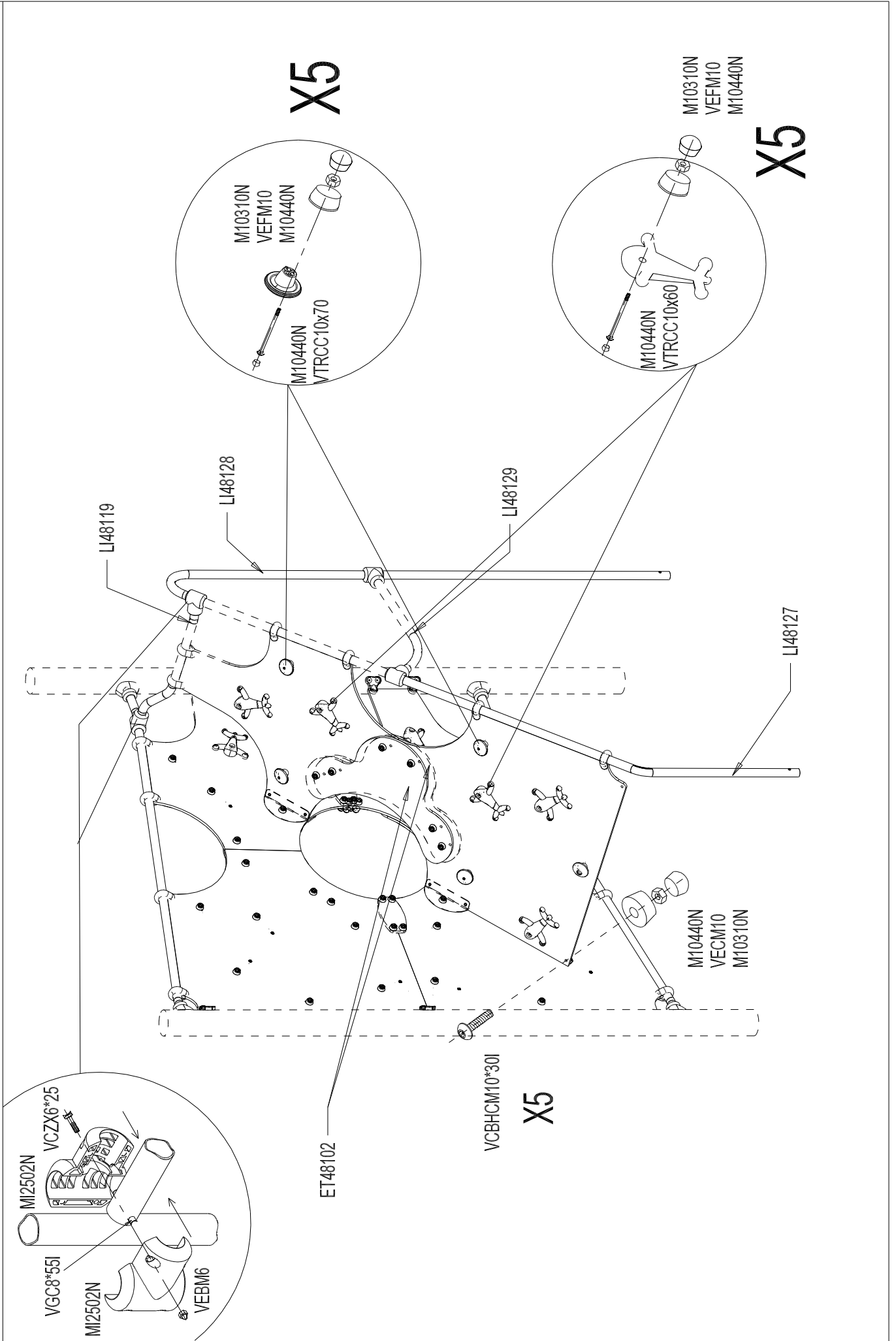
VTRCC
10x60







	VTH 10x50	12
	VTH 10x60	14
	VCZX 6x25	16
	VEBM6	16
	VECM8	14
	VBTR8*25	14
	M14503N	28
	VTRCC10x100	2
	VTRCC10x90	3
	VTRCC10x60	12
	VTRCC10x70	13
	VCBHC10*30I	19
	VBT 7x60	32
	M10310N	63
	M10440N	133
	VECM10	42
	VEFM10	30
	VGC8*55I	6



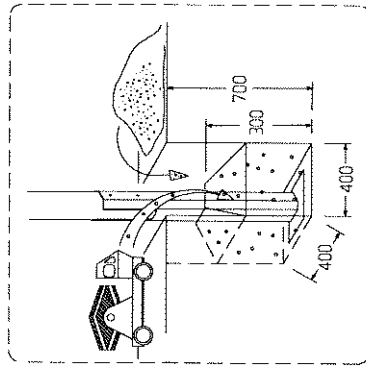
MI025VX



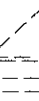
CL2502



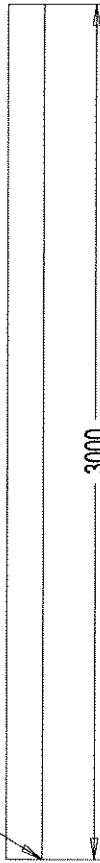
3000



LG2553

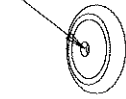


CL2502

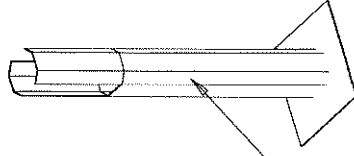


3000

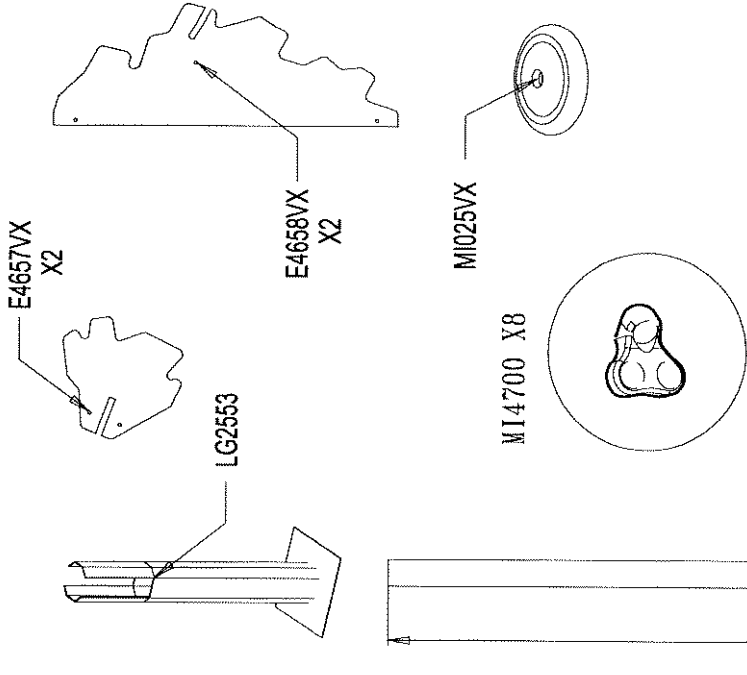
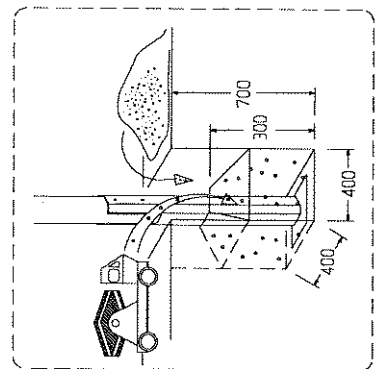
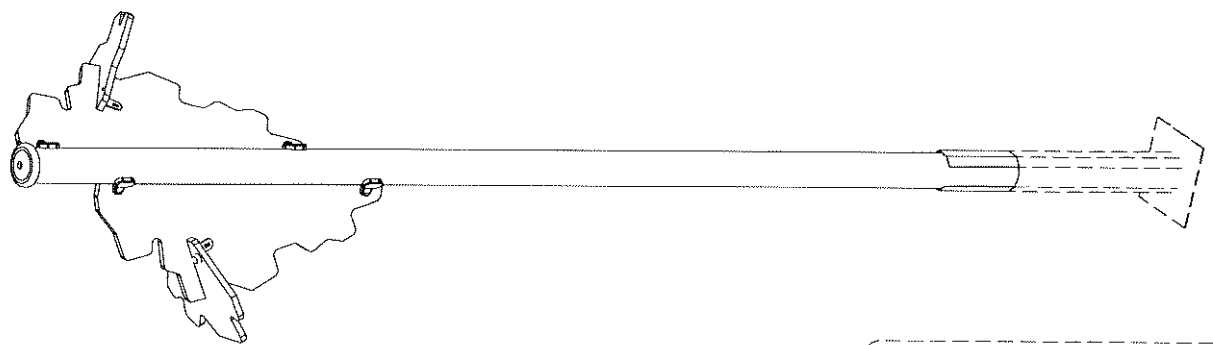
MI025



LG2553



	VBT 7x60	1
	VTF 10x60	2
	VRCC10X140	1
	MI0310N	3
	M10440N	4
	VECM10	1



	VTH 10x40	4
	VRCC10x40	6
	P13	4
	VBT 7x60	17
	VTF 10x60	2
	VRCC10X140	1
	M10310N	9
	M10440N	33
	VECM10	11

