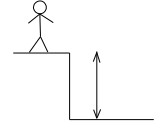
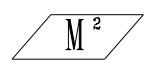
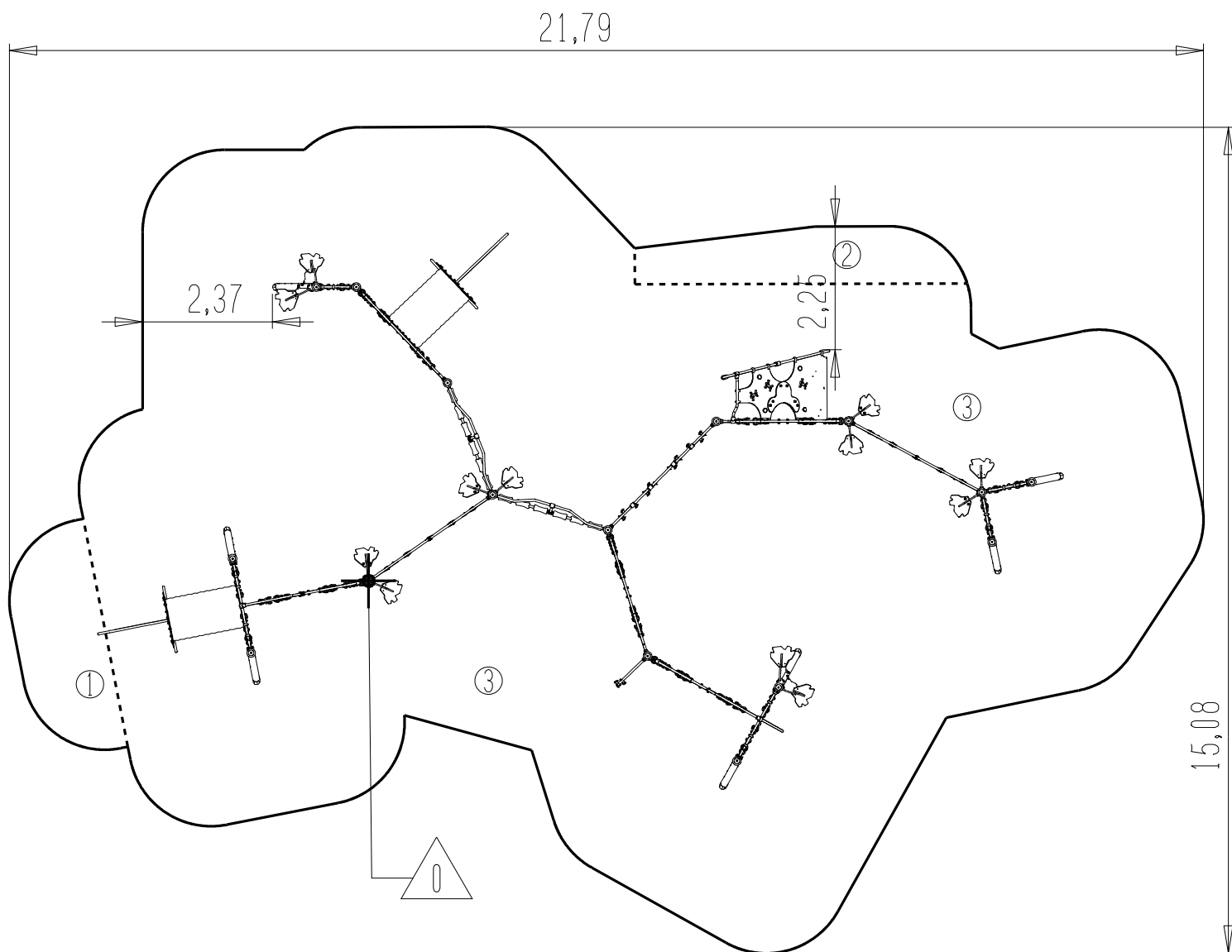


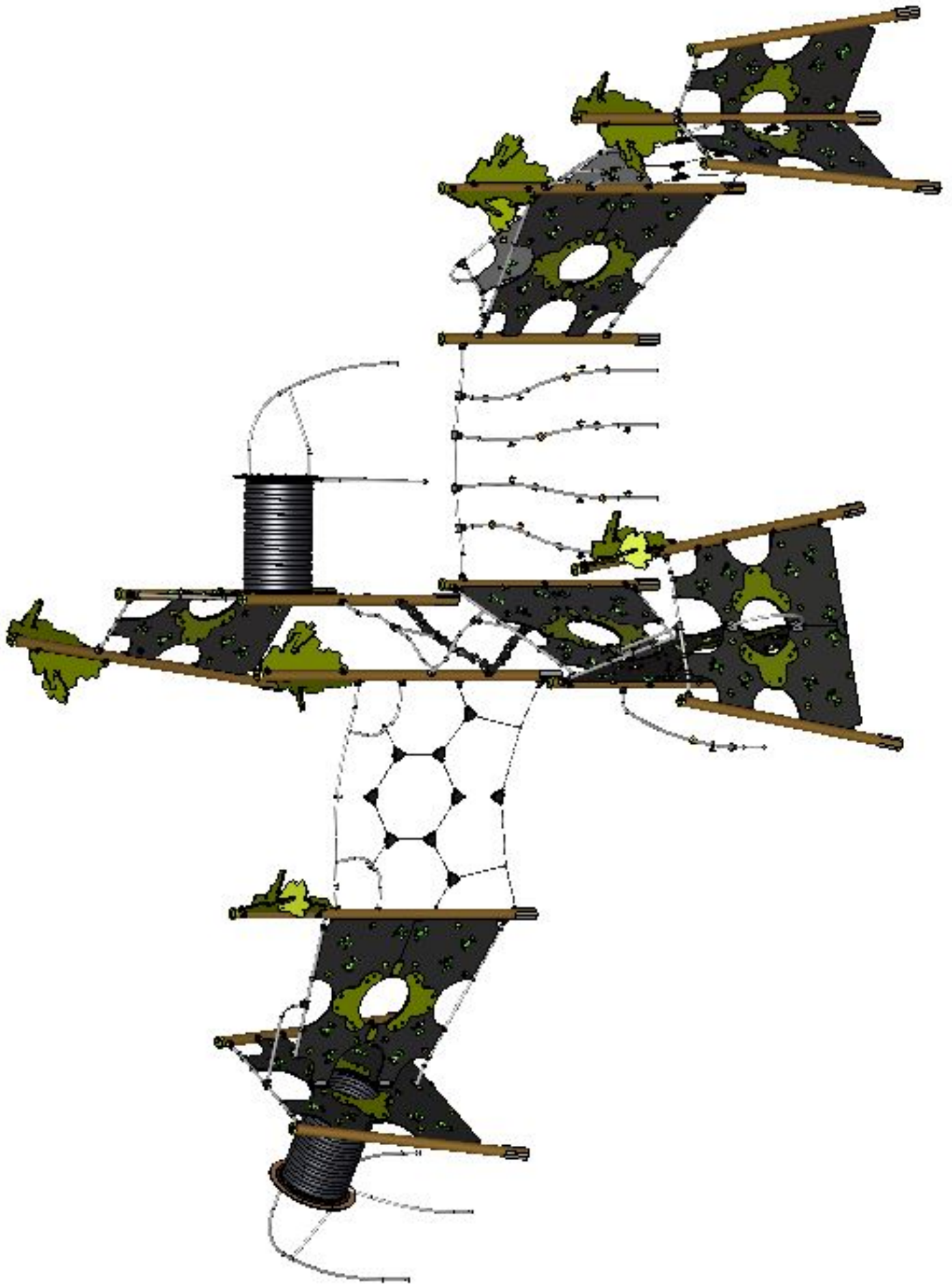
N°		
①	1.5 m	6 m ²
②	2.6 m	5.5 m ²
③	2.9 m	201 m ²

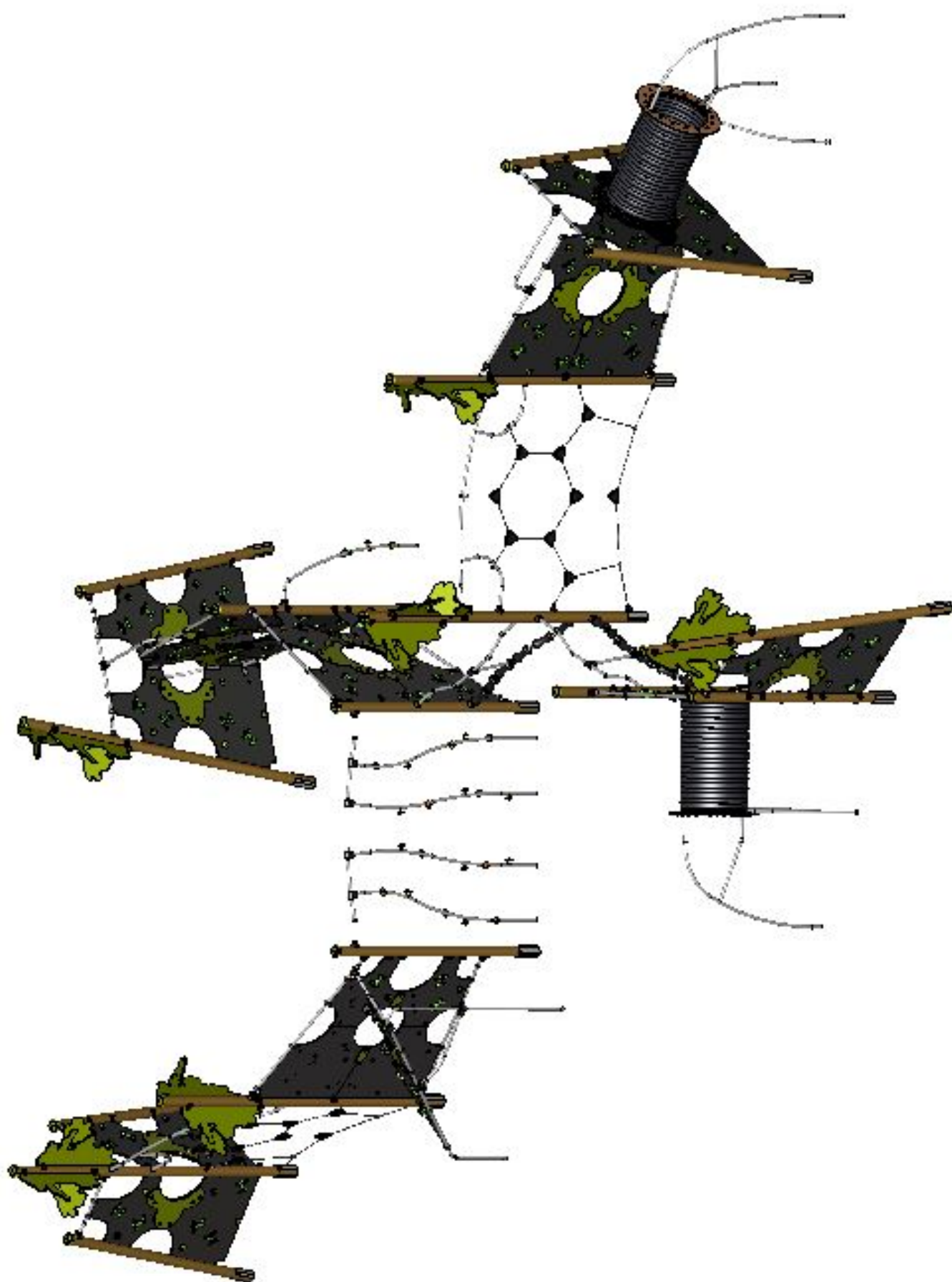
— Zone d'Impact
 Impact Area
 Area de Impacto
 Fallraum

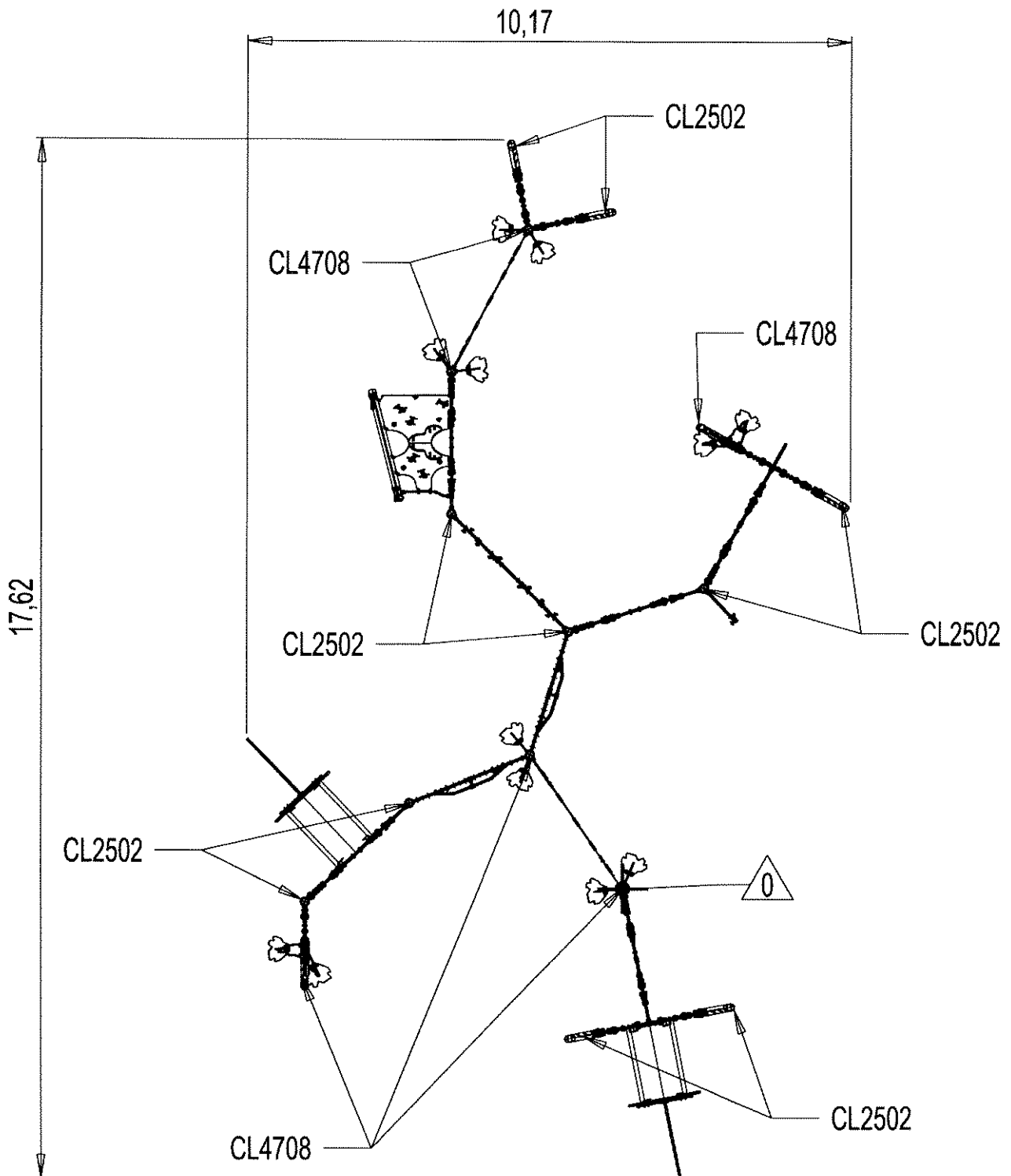
EN1176 - 1 : 2017
 EN1176 - 11 : 2014

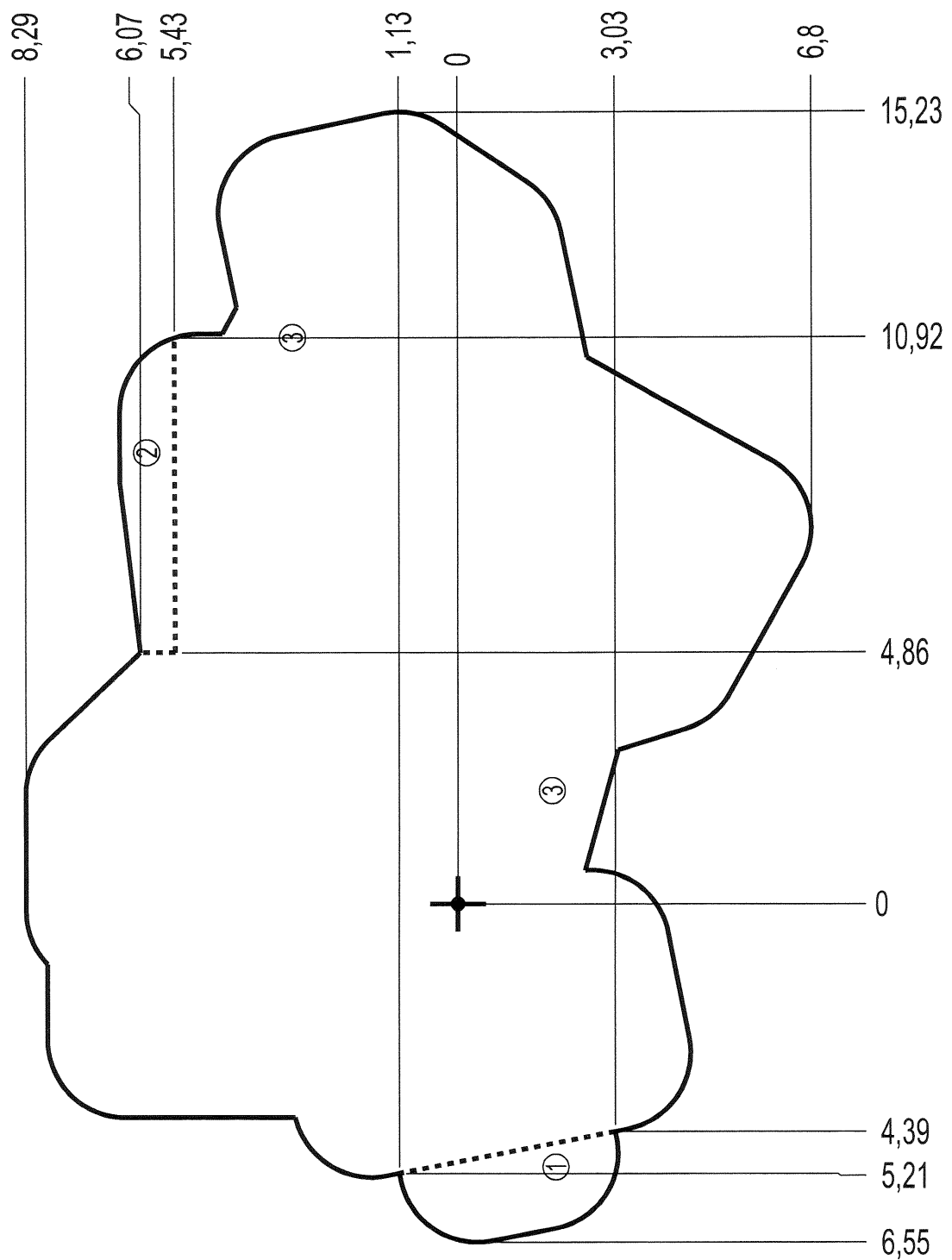


Point de Référence
 Setting Out Point
 Punto de referencia
 Bezugspunkt

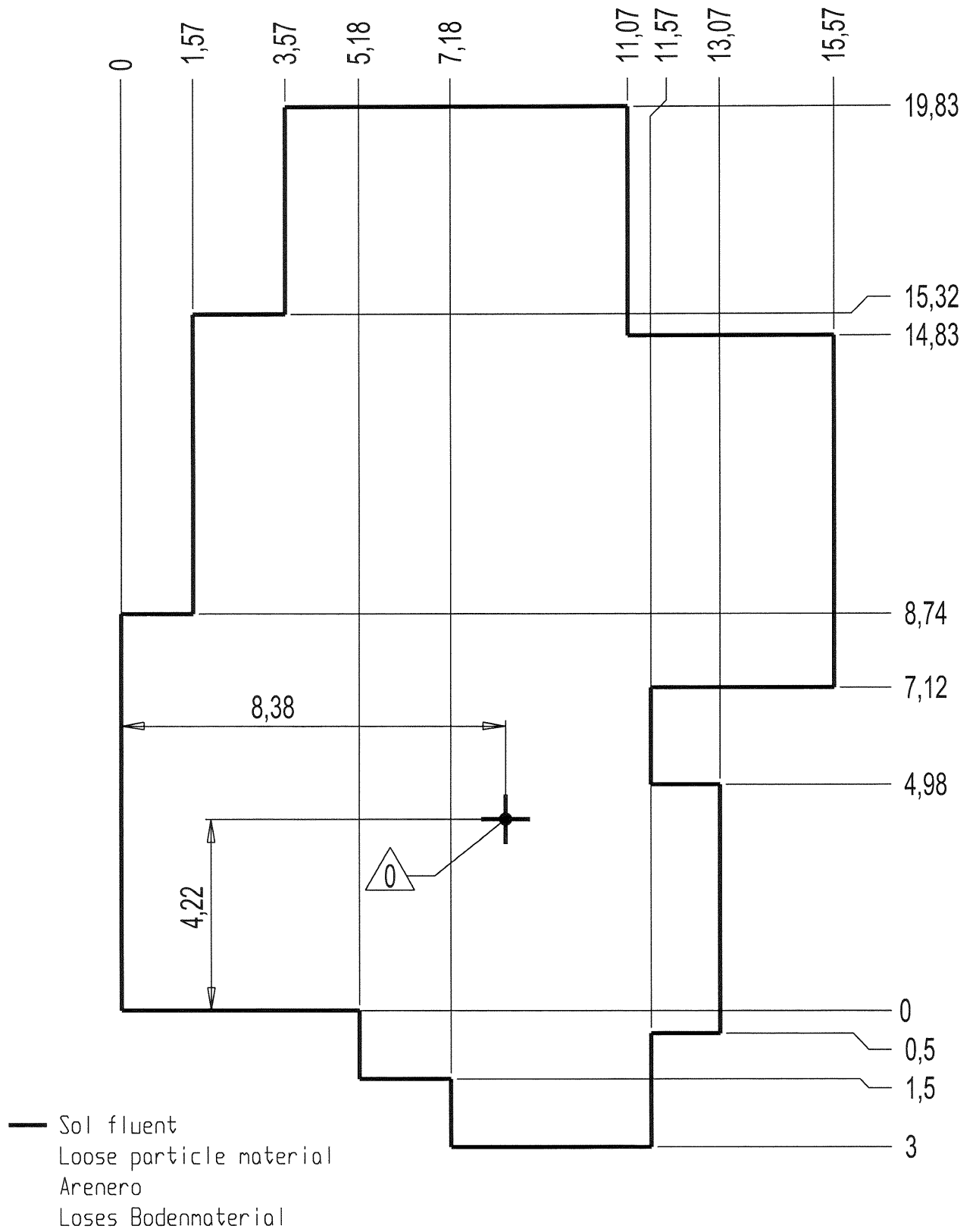




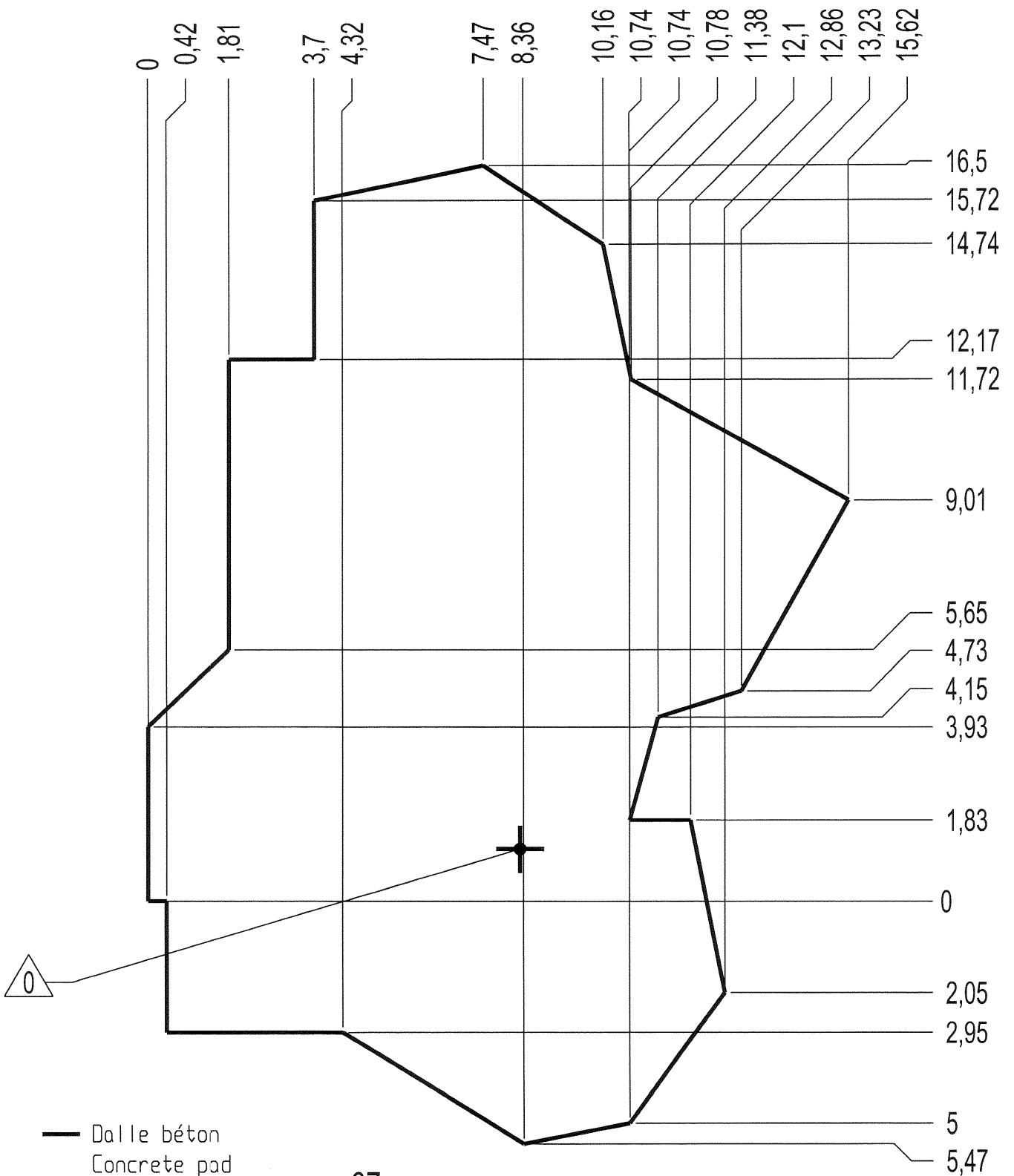




212.5 m²

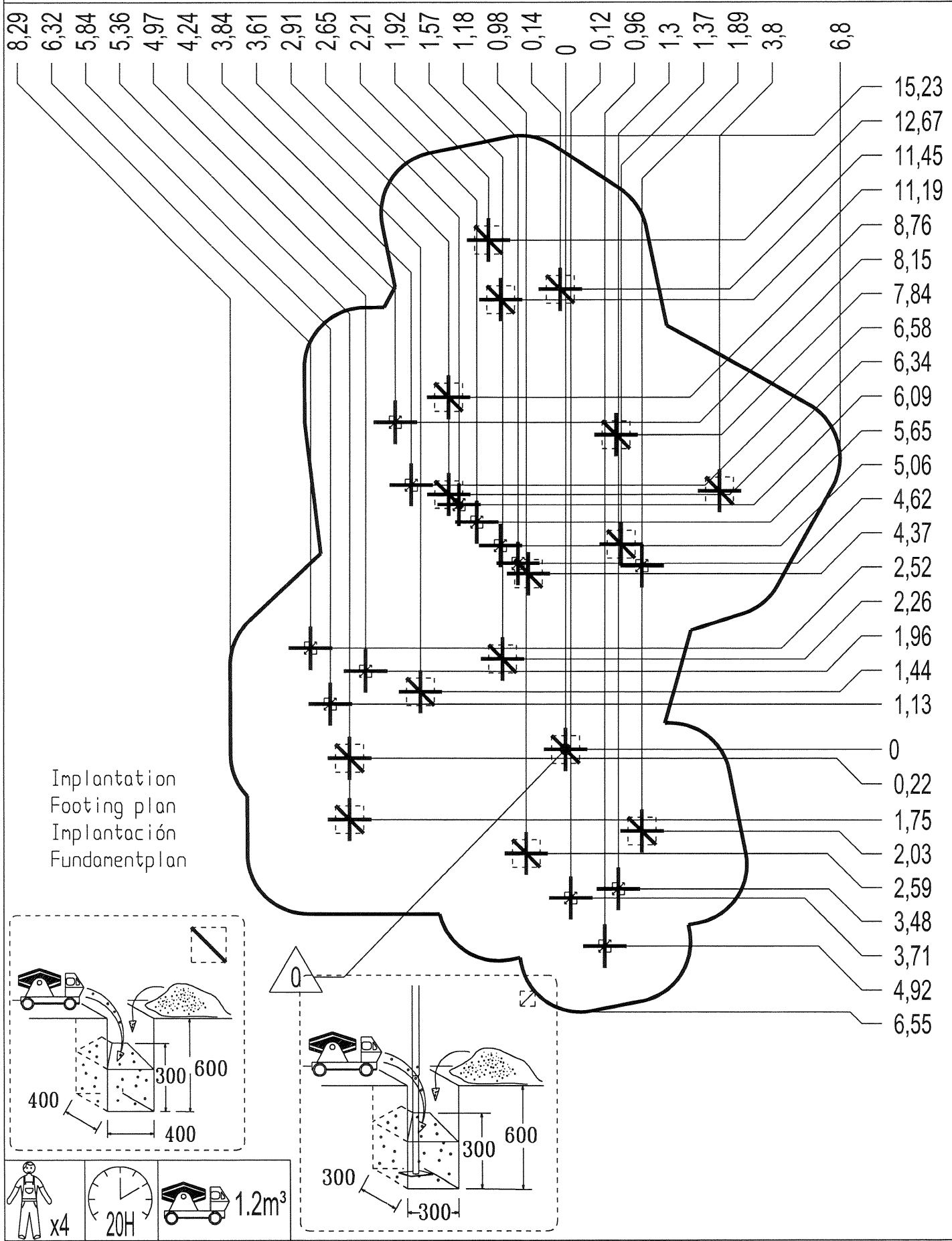


80 m
256 m²

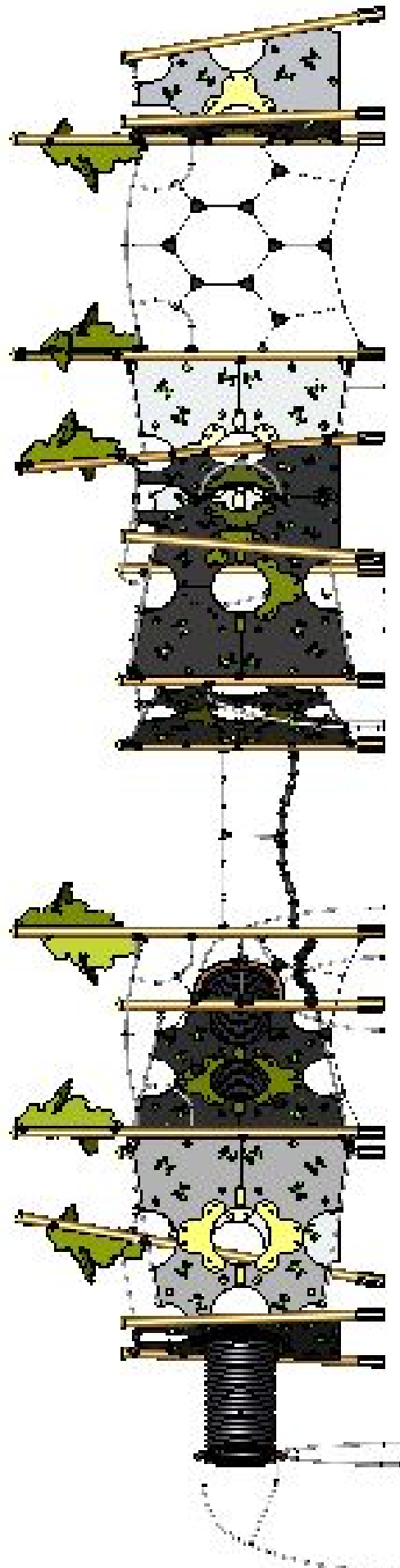


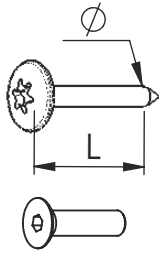
— Dalle béton
 Concrete pad
 Solera de Hormigón
 Beton Bodenplatte

67 m
 217 m²



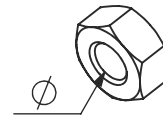
Implantation
 Footing plan
 Implantación
 Fundamentplan





VBT 6 x 30
 \varnothing \uparrow L (mm)

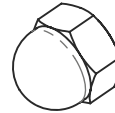
VFHC



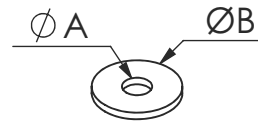
VEC M10
 \varnothing



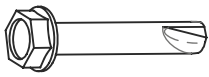
VEF



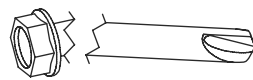
VEB



VR6x18
 $\varnothing A$ $\varnothing B$



VTHA

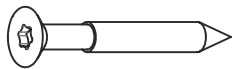


1000 - 1800 tr/min

Vitesse de rotation
 Rotation speed

14 N.m

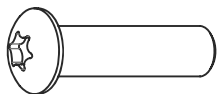
Couple de rupture
 Torque of break



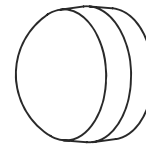
VWT



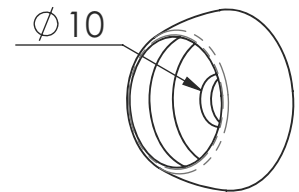
VGC



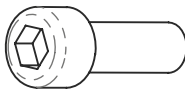
VCBHC



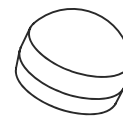
M10 440N



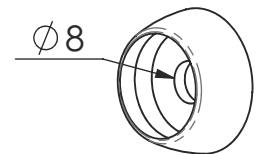
M10 310 N



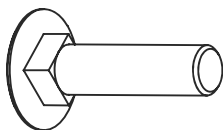
VBTR



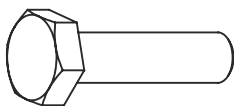
M8440N



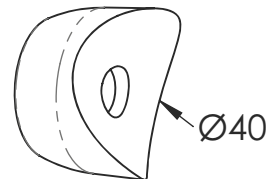
M8310N



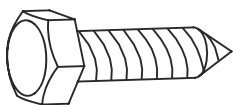
VTRCC



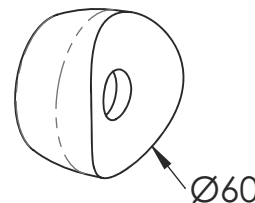
VTH



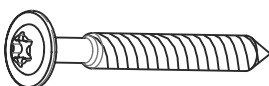
MI2503



VTF



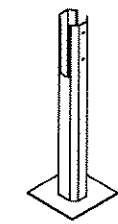
MI2701



VBT

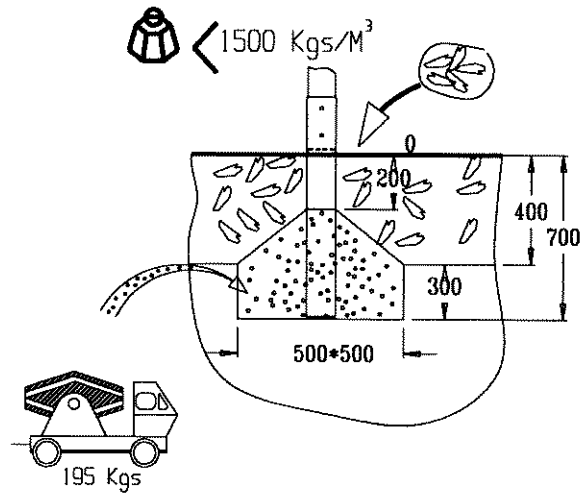
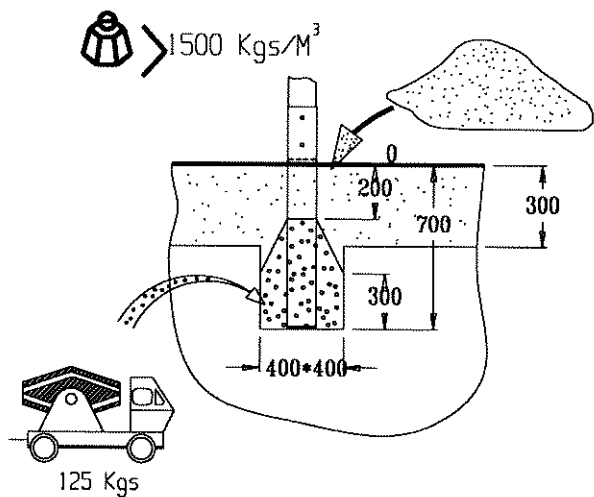
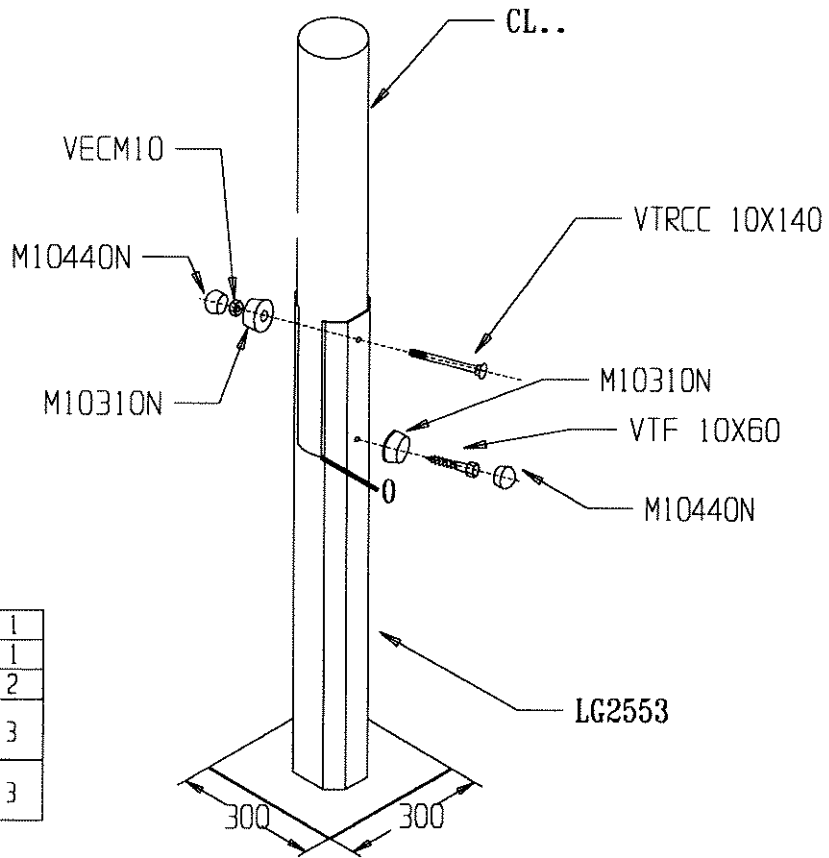
A

ProLudic

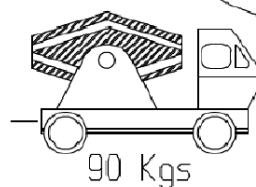
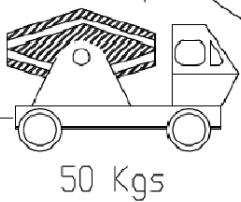
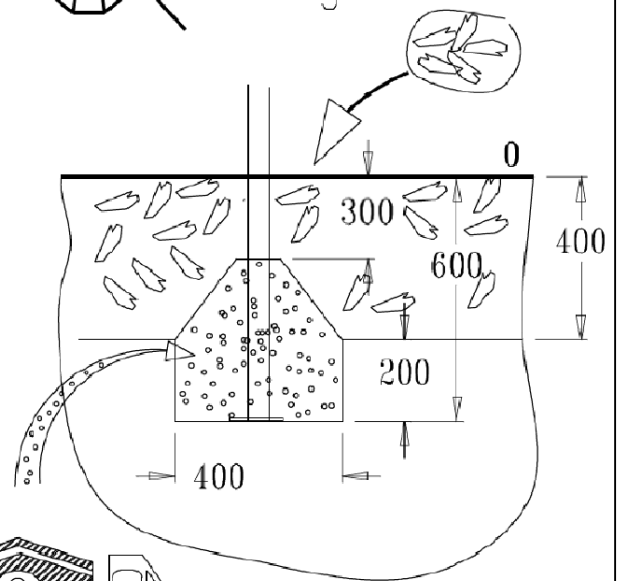
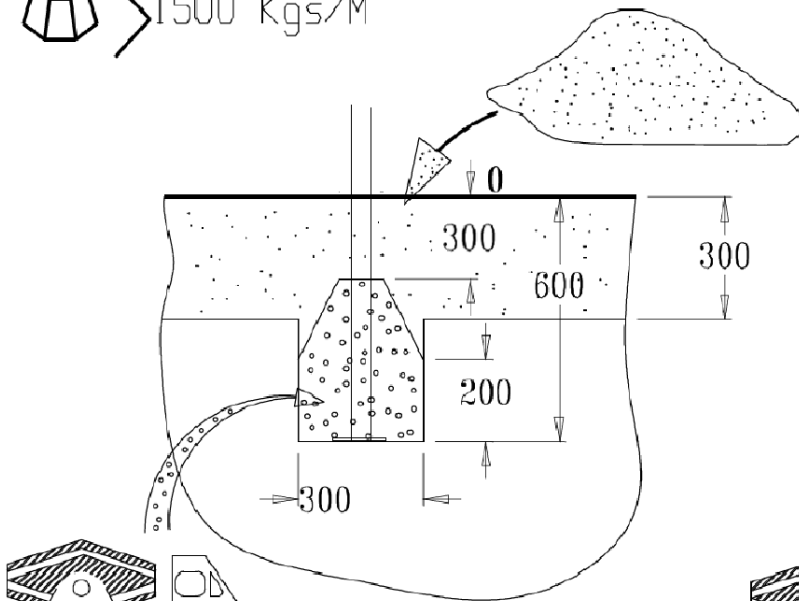
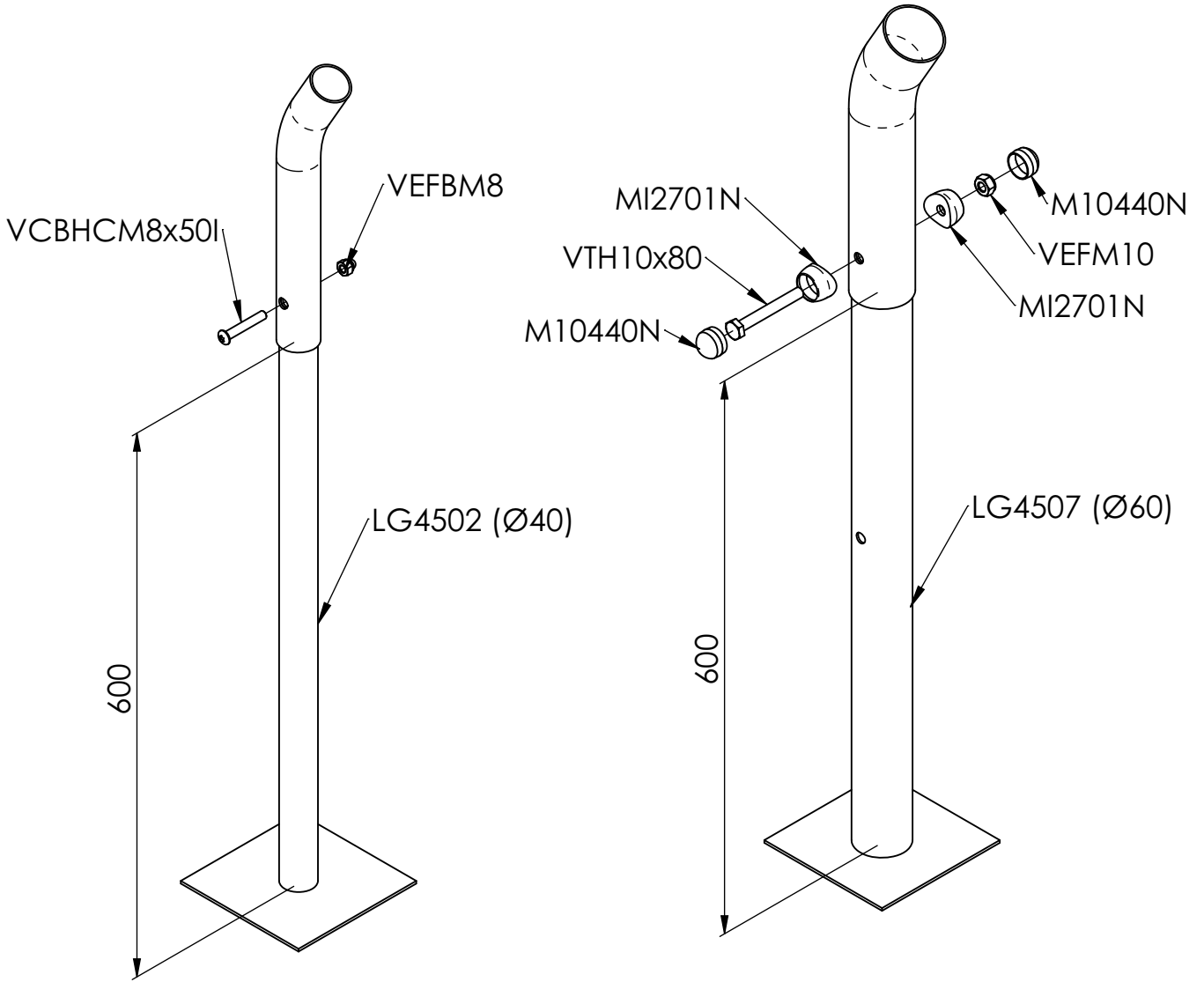


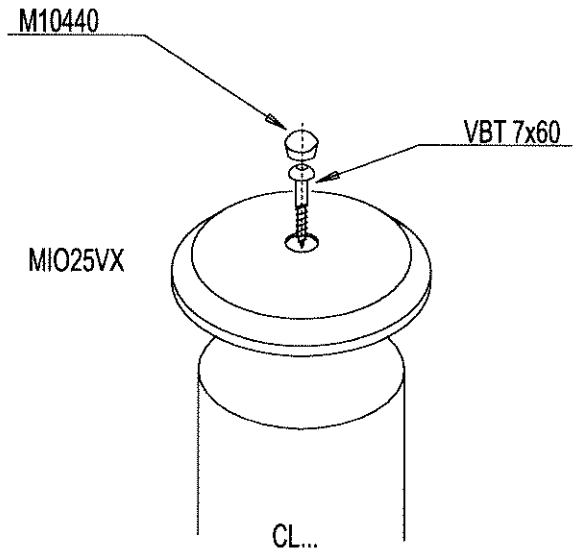
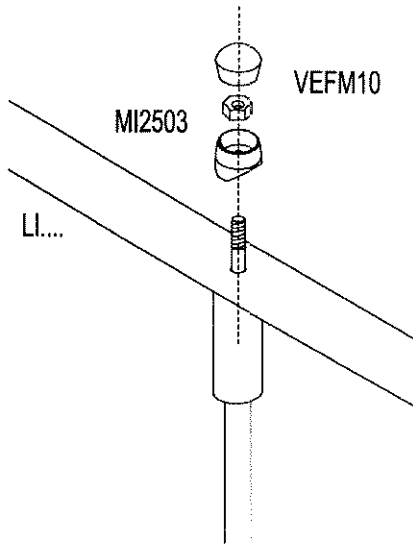
LG2553

	VTRCC 10x140	1
	VECM10	1
	VTF 10x60	2
	M10310N	3
	M10440N	3

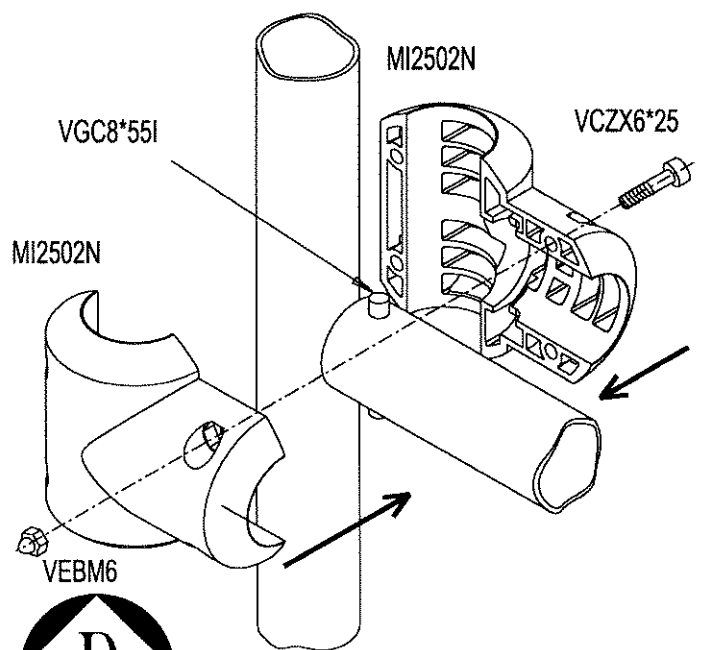
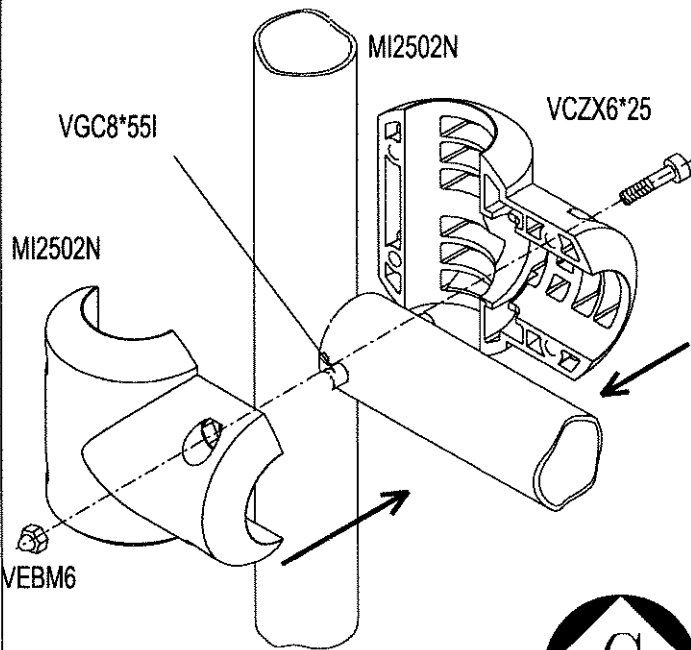


04-05-10

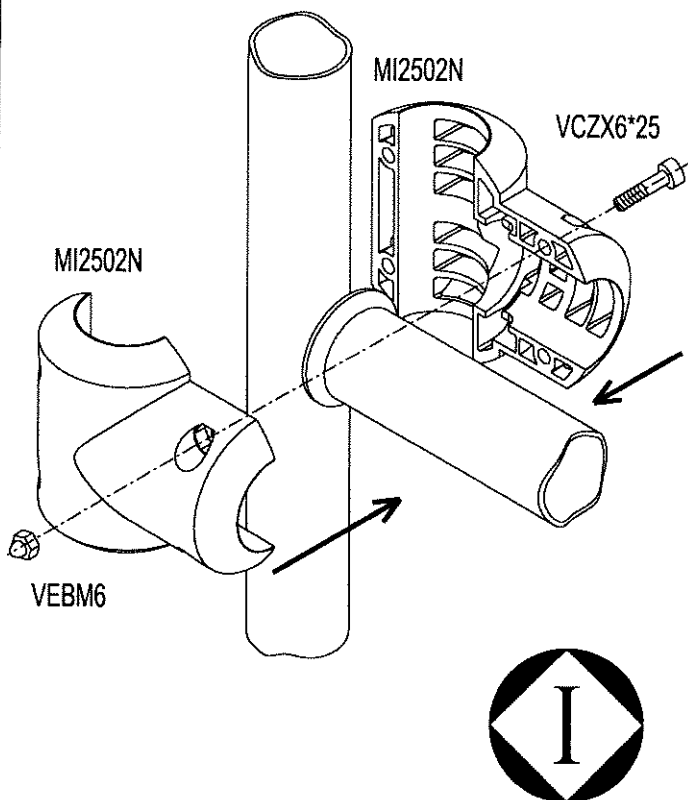




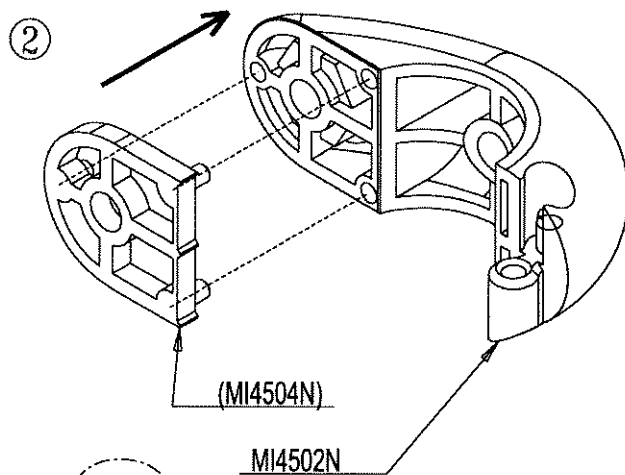
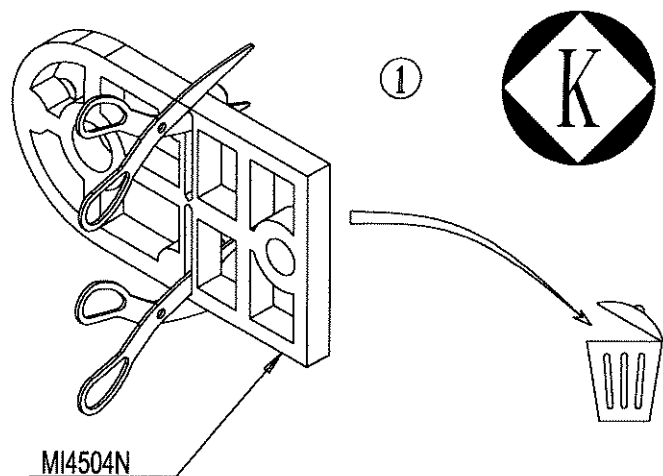
MI2502N + VGC8*55I



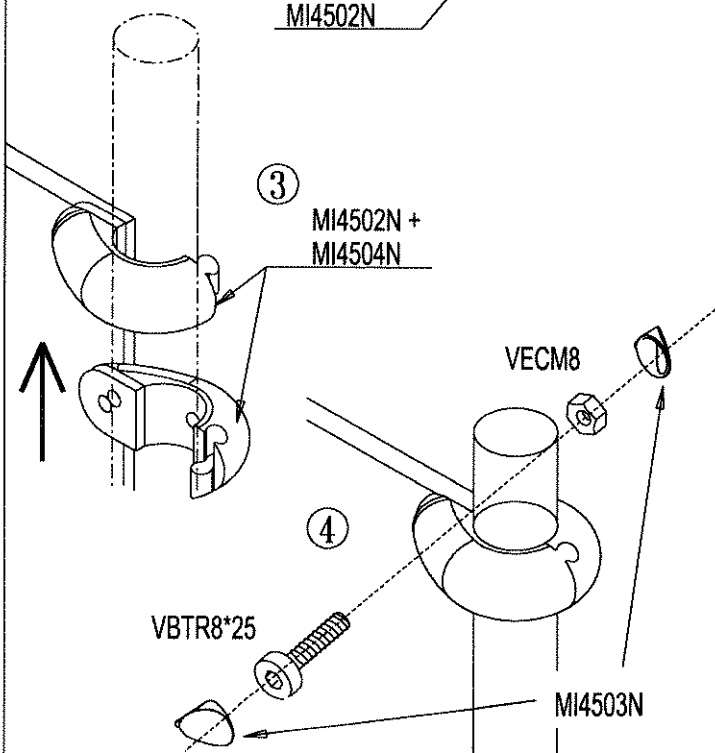
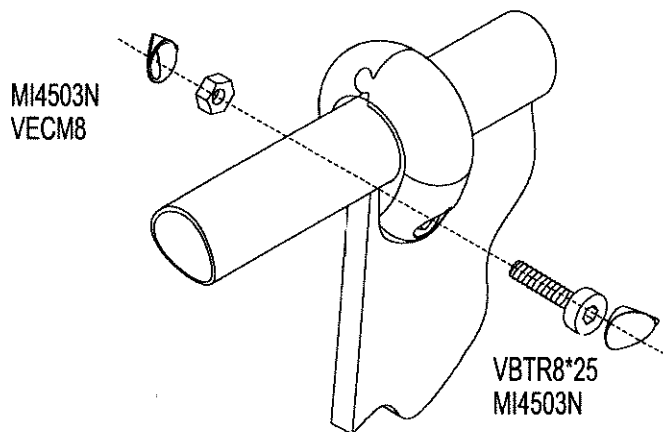
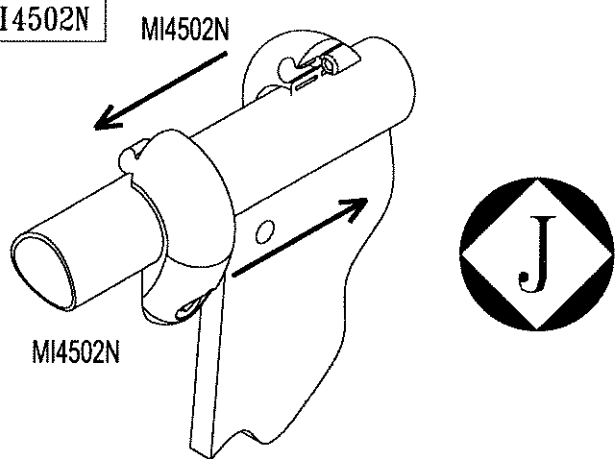
MI2502N



MI4502N + MI4504N

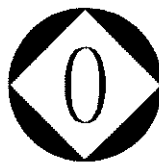
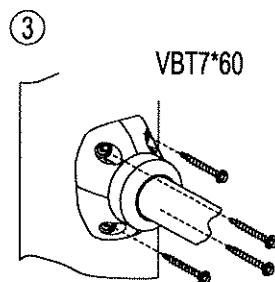
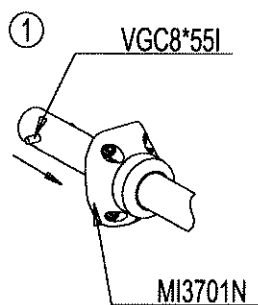
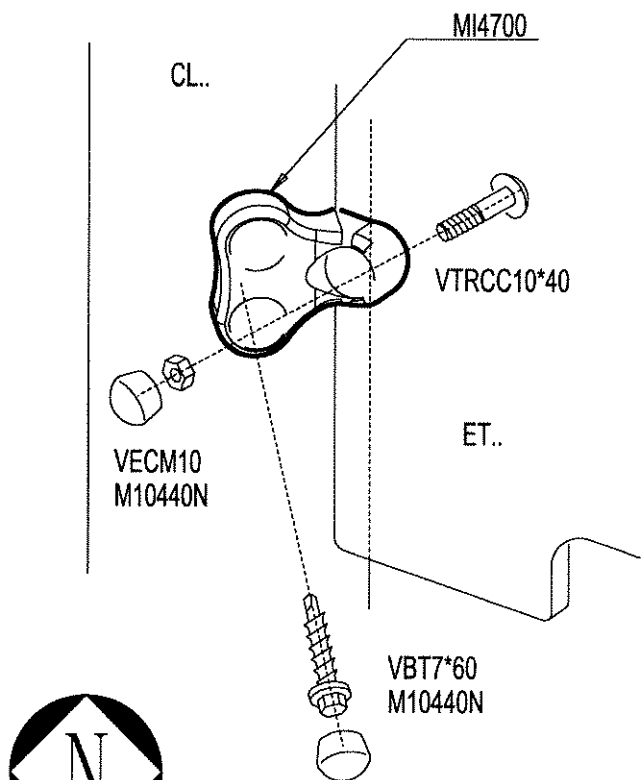


MI4502N

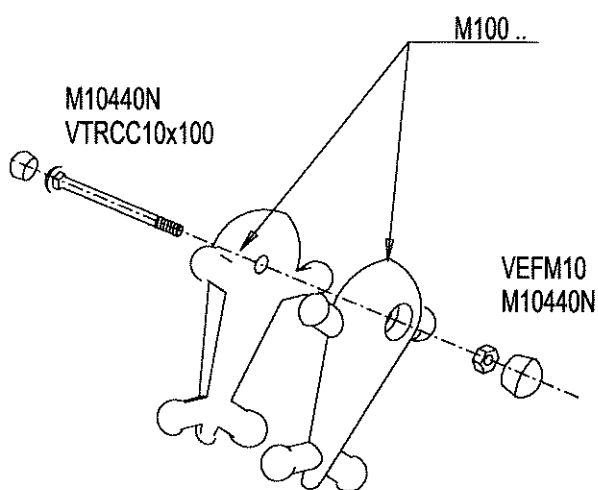
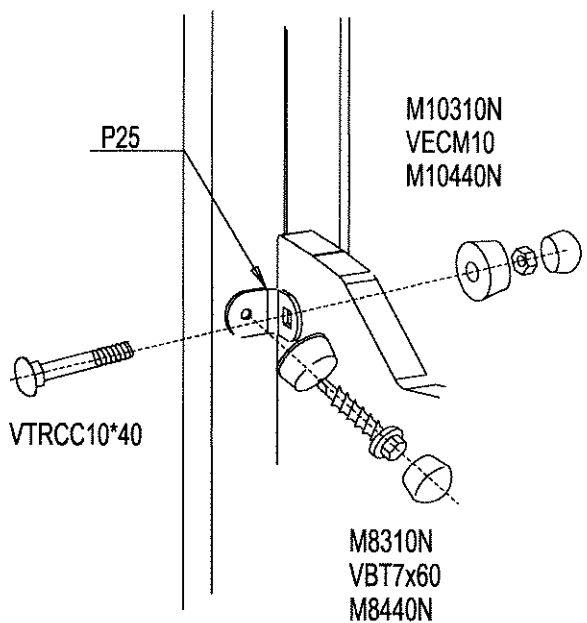


MI4700

MI3701N



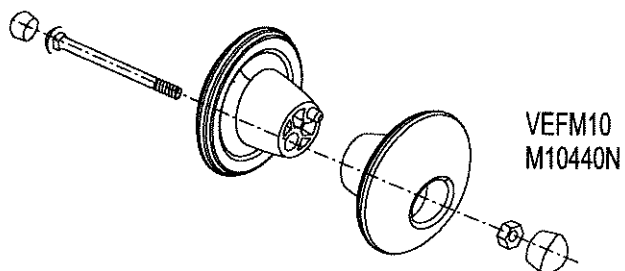
M100..



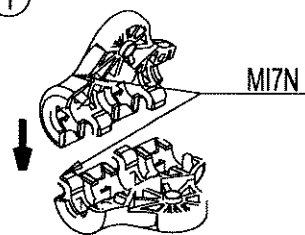
MI4700

MI3701N

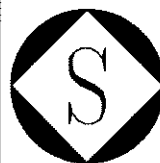
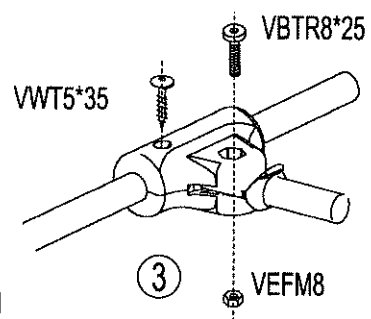
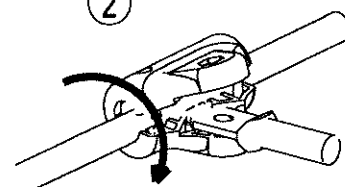
M10440N
VTRCC10x100

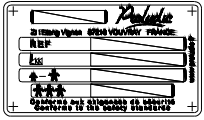


①

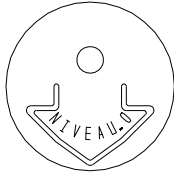


②

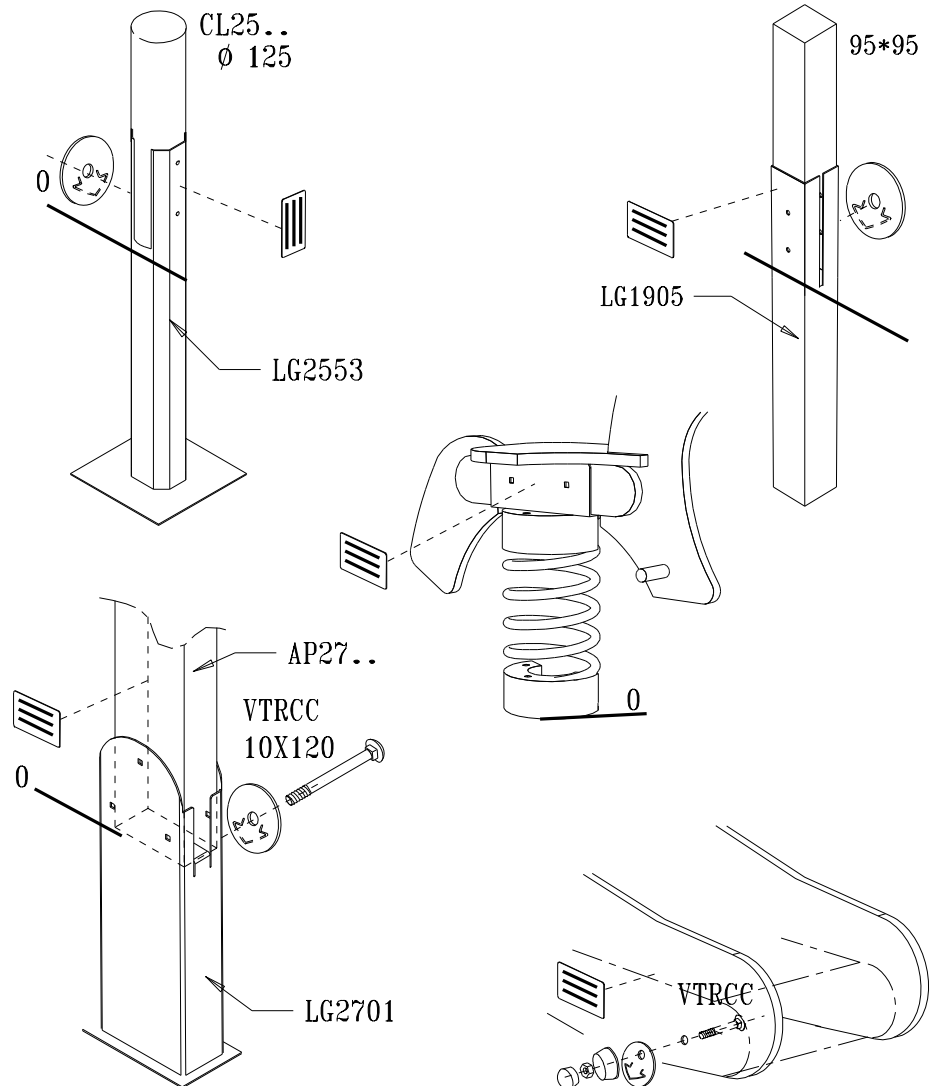
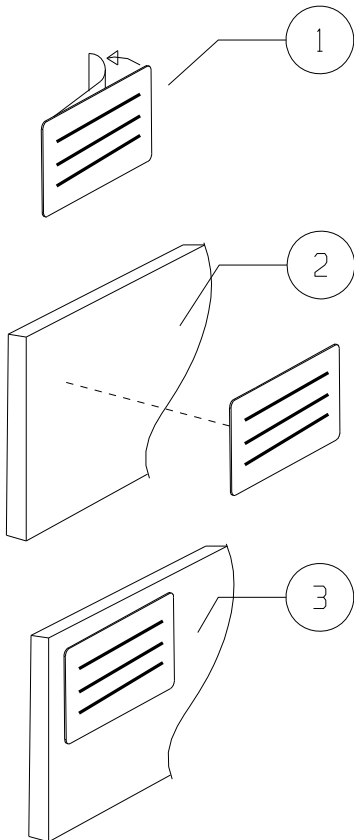
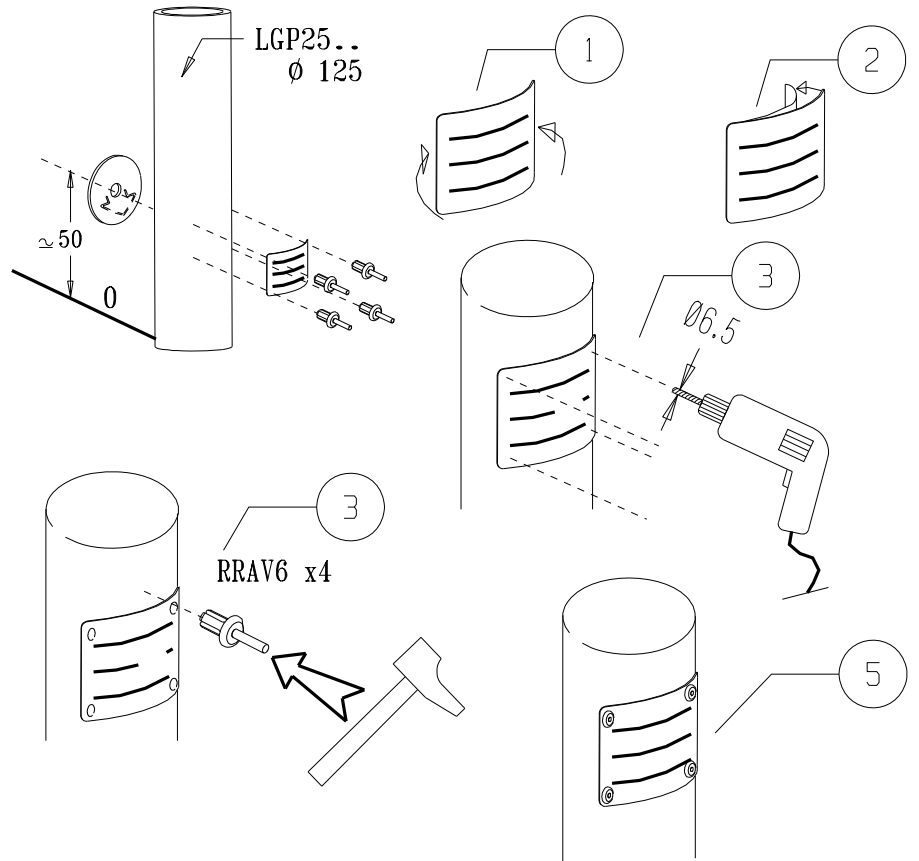


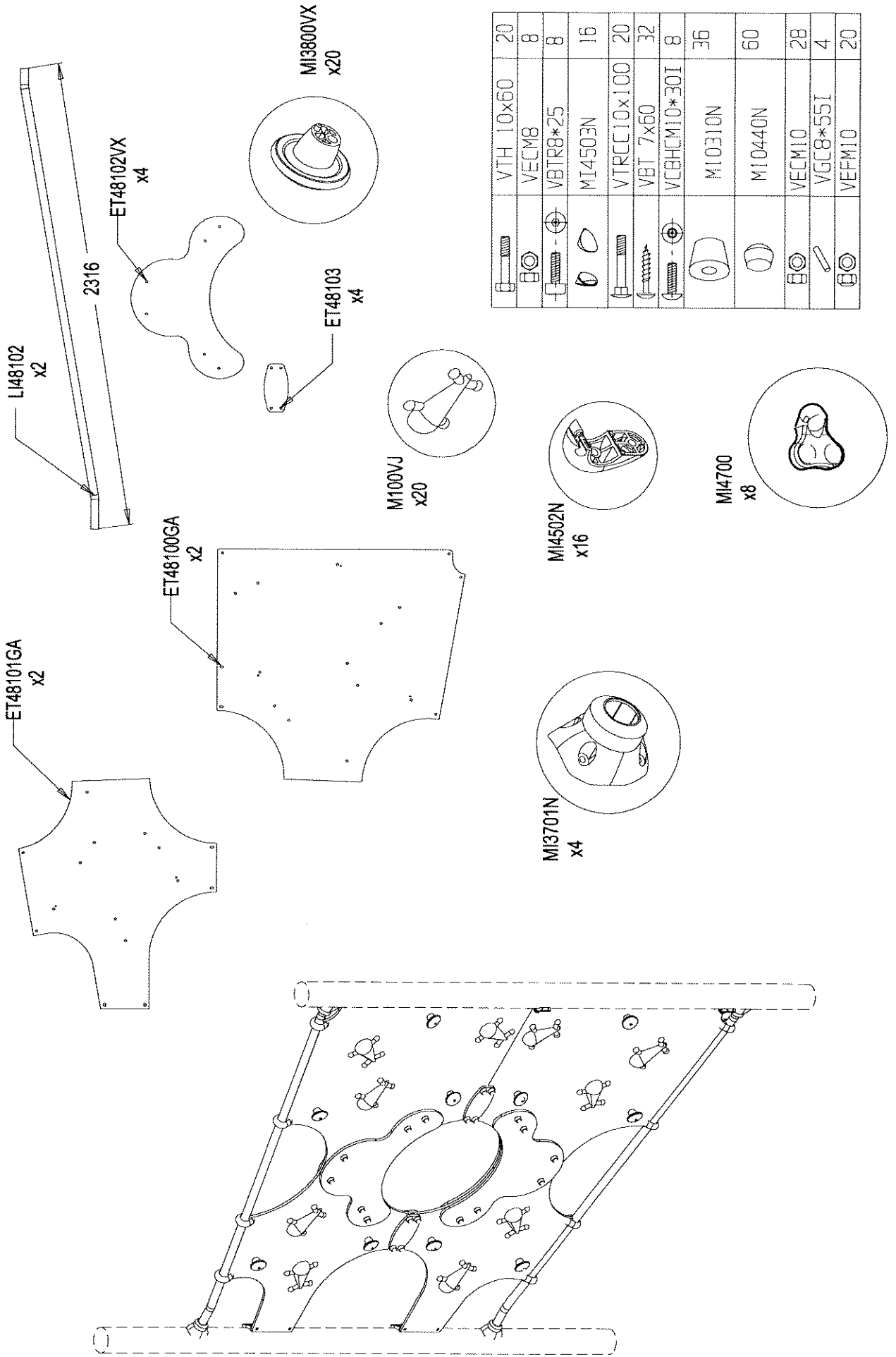


LA000

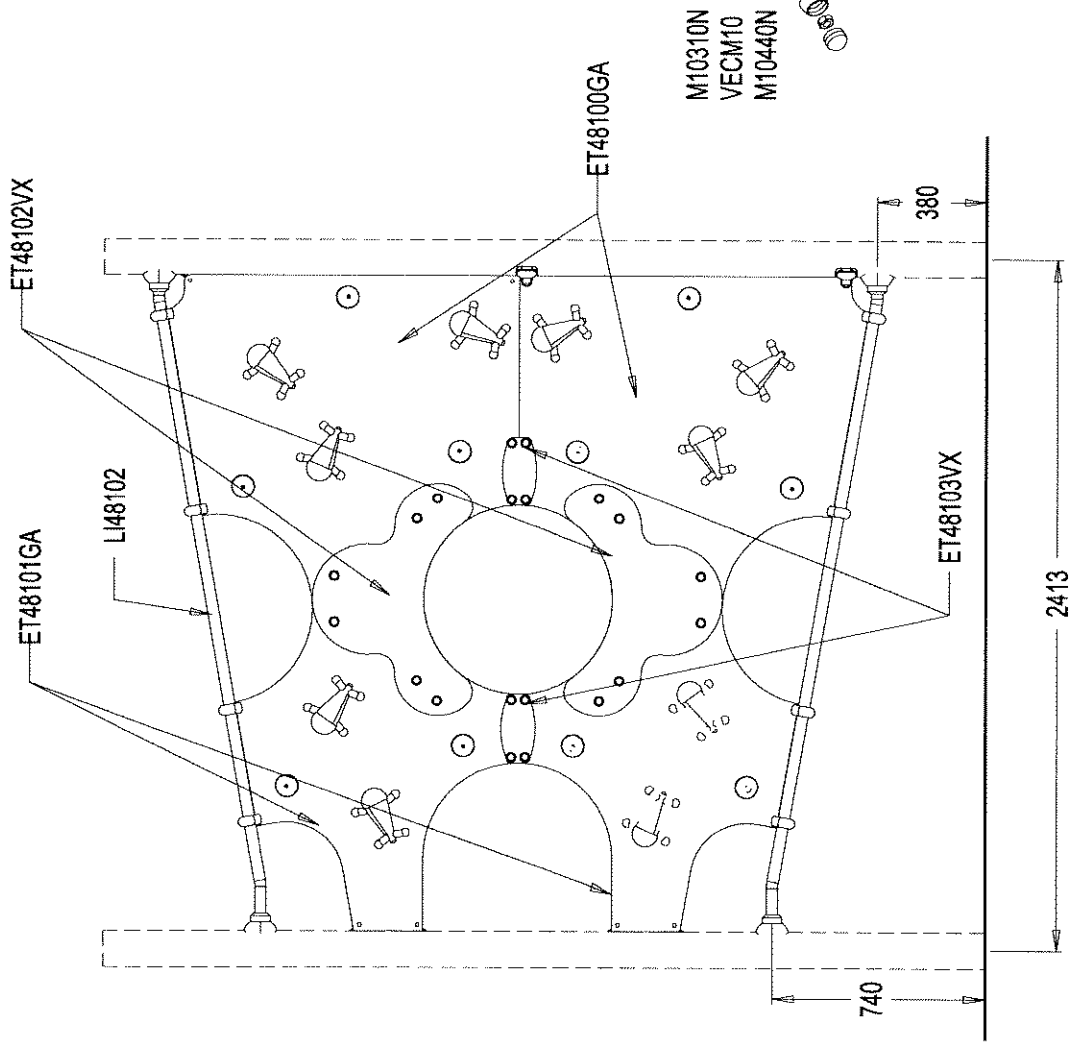
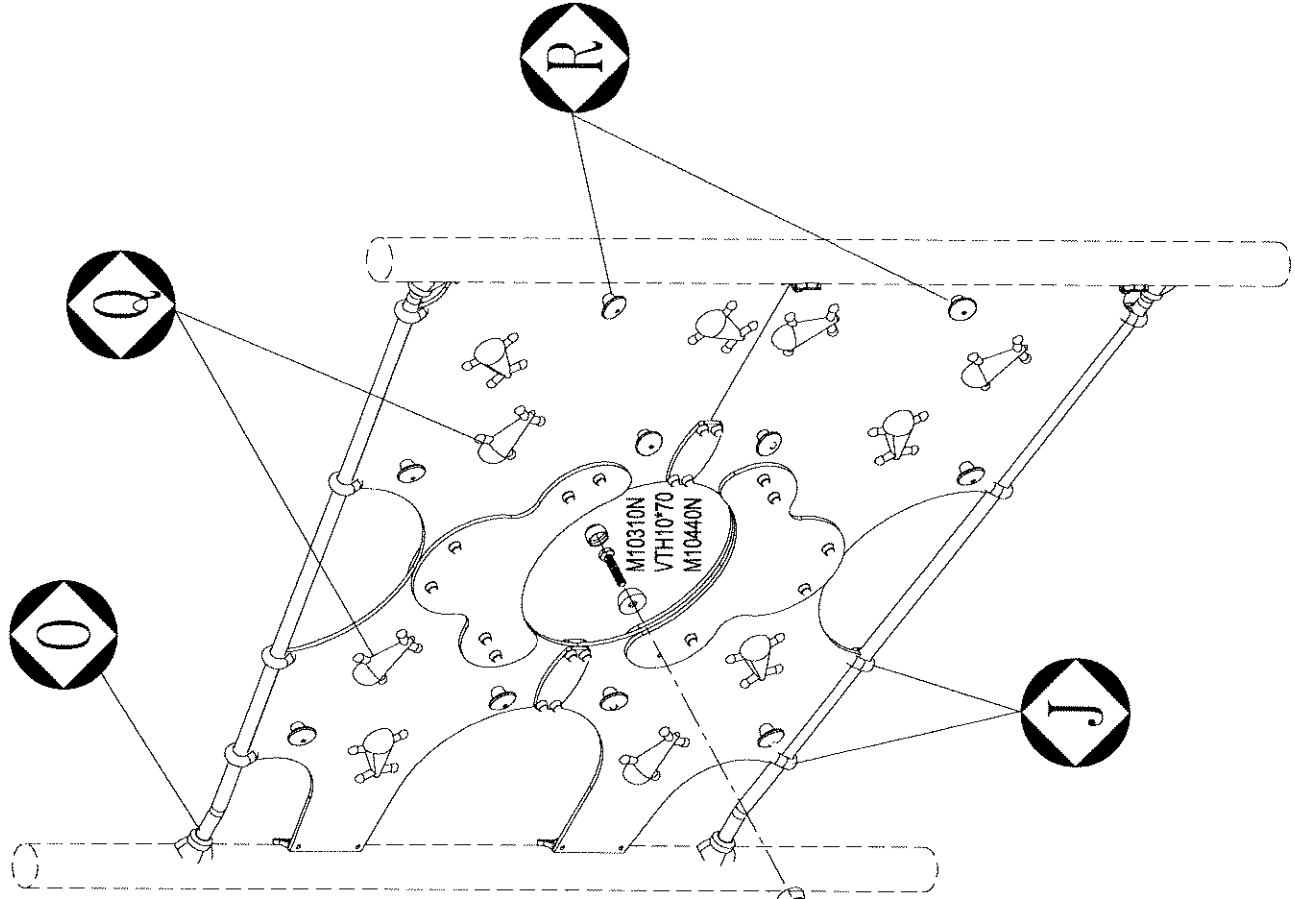


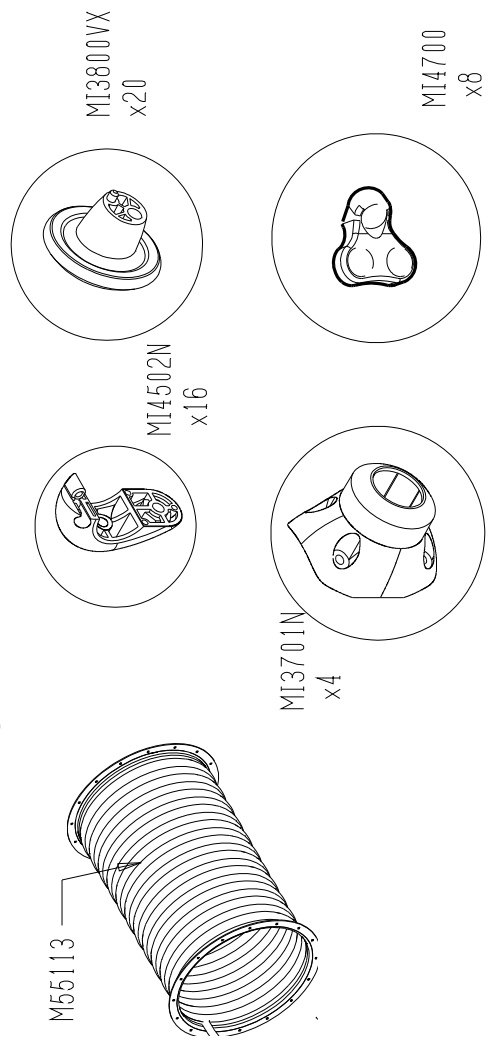
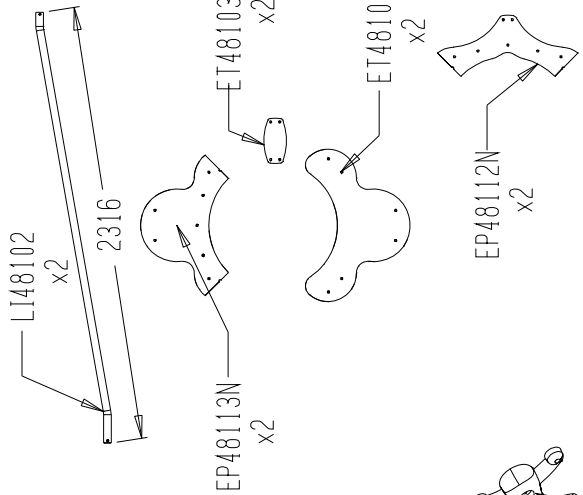
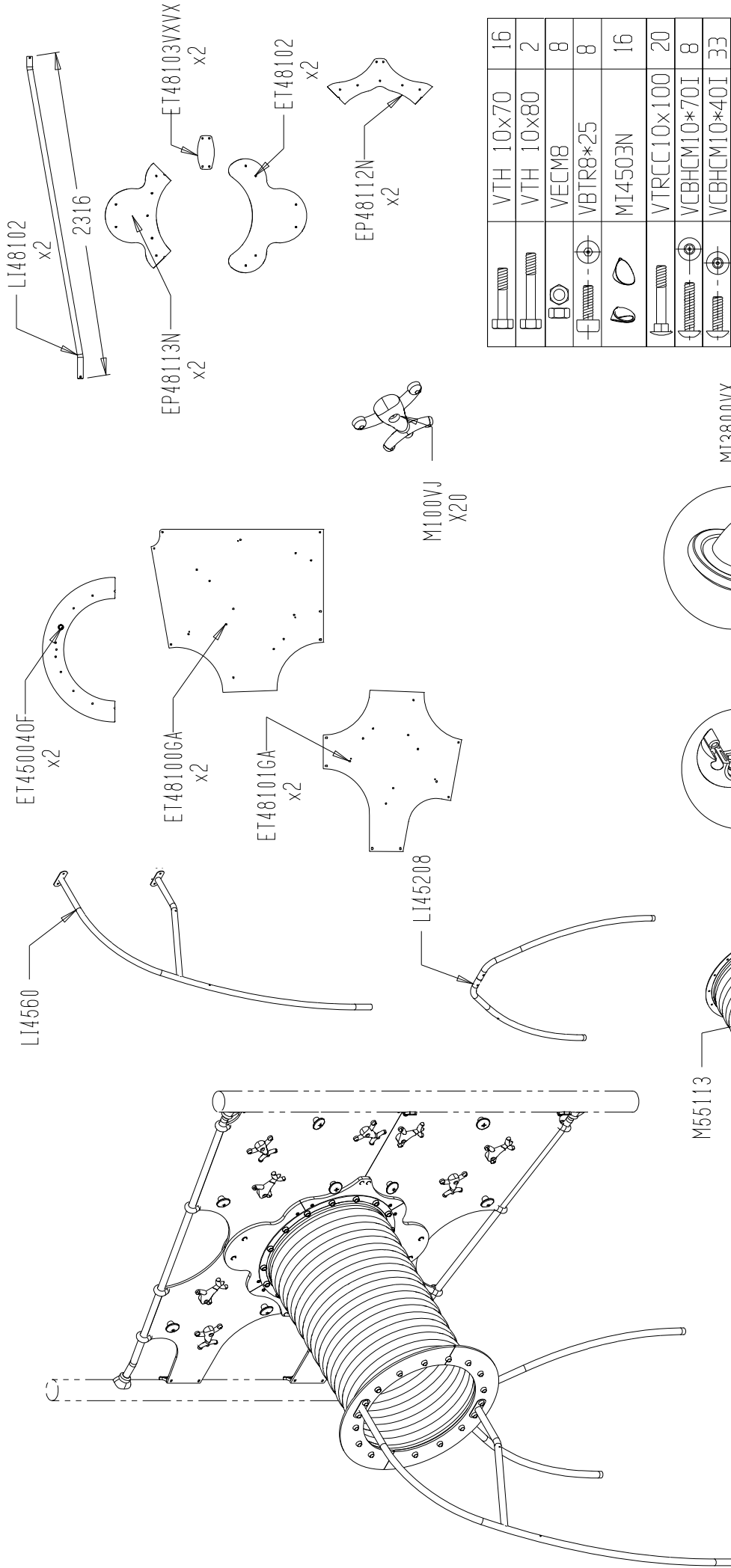
MI0002



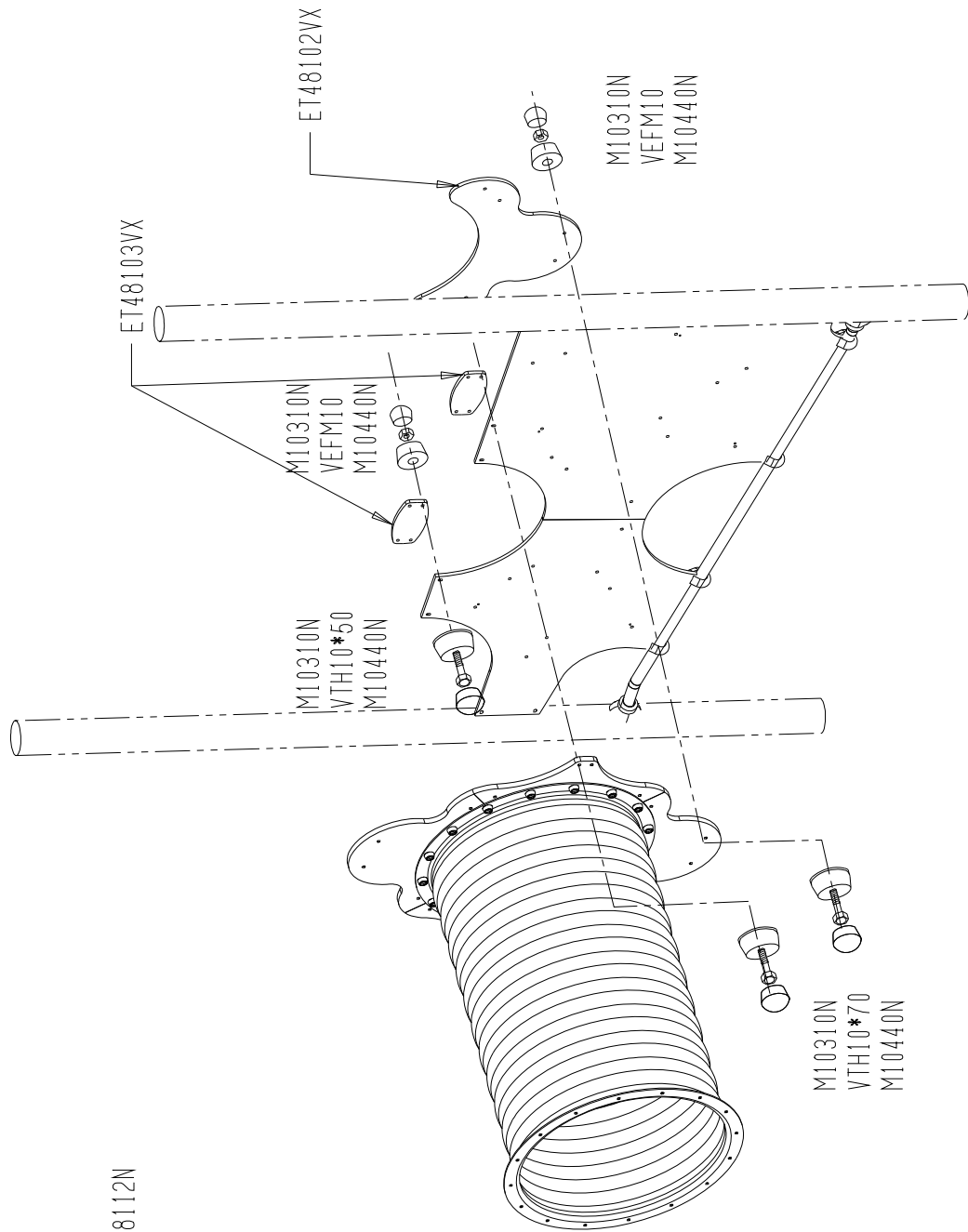
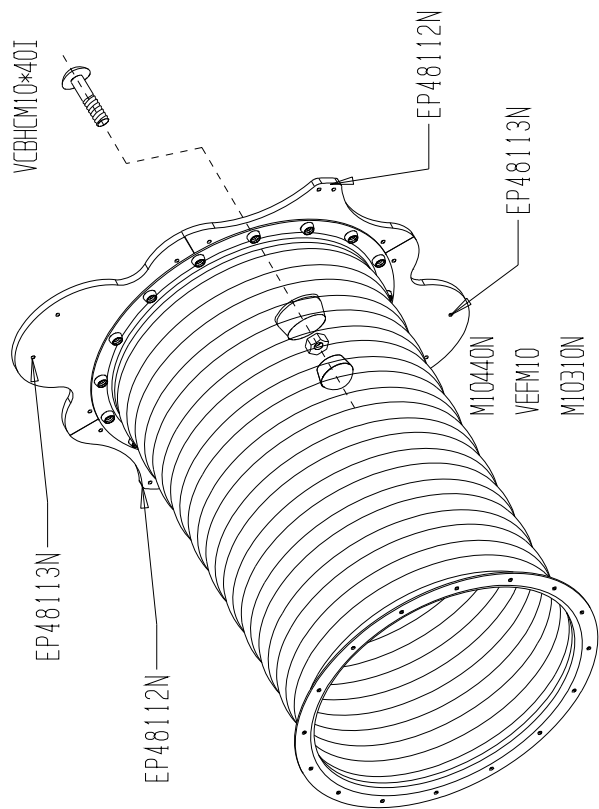


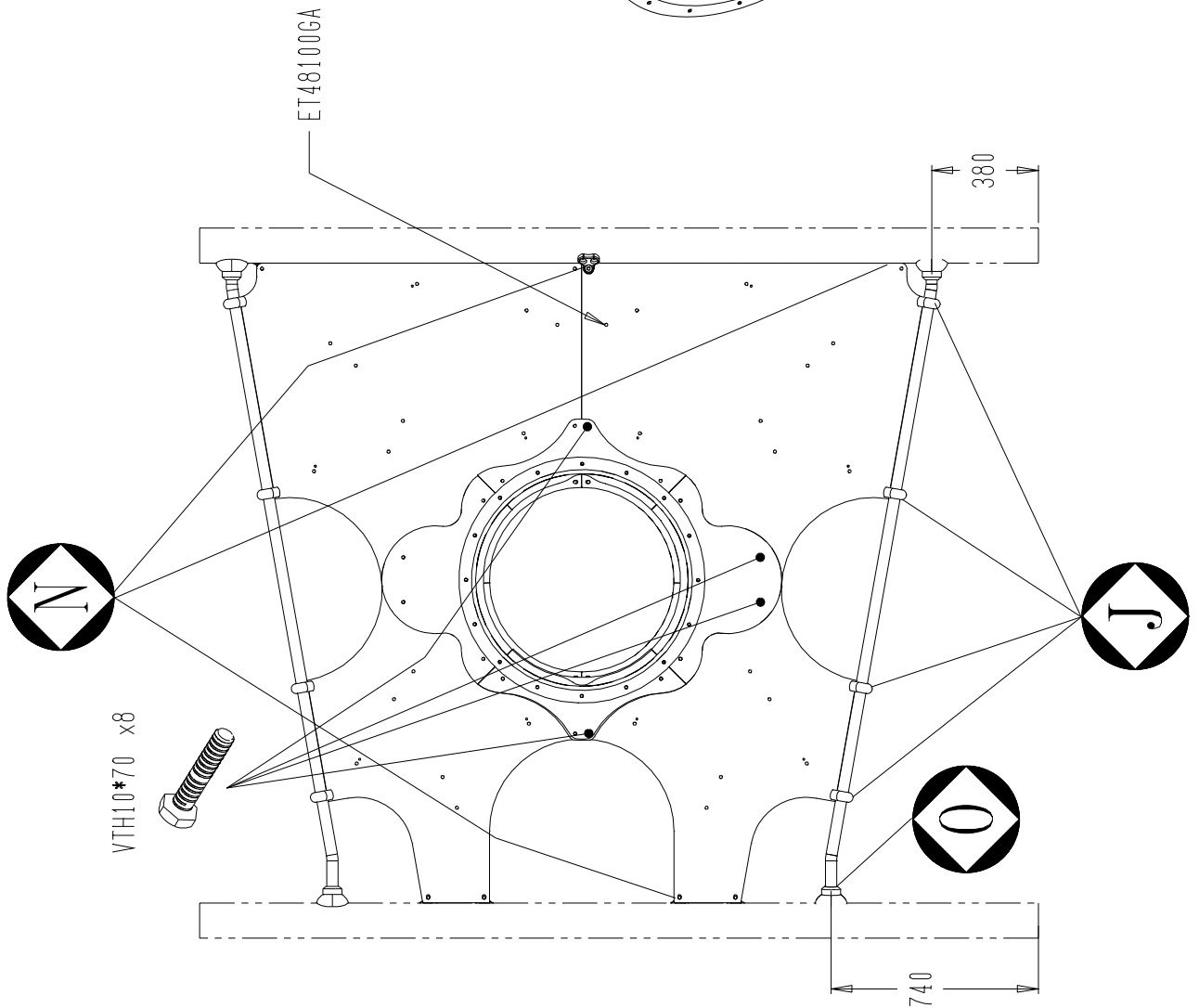
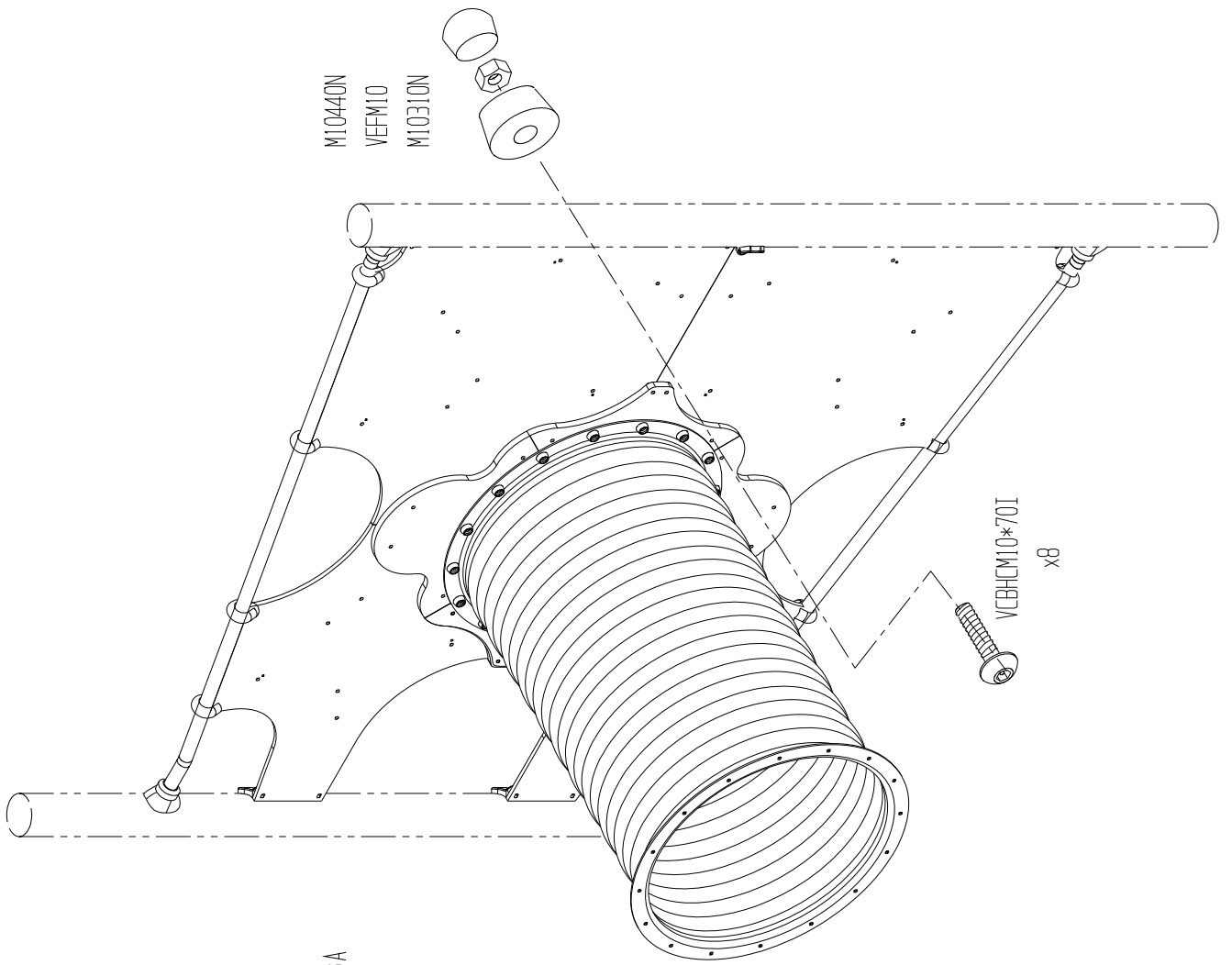
	VTH 10x60	20
	VECM8	8
	VBTR8*25	8
	MI4503N	16
	VTRCC10x100	20
	VBT 7x60	32
	VCBHC10*30I	8
	M10310N	36
	M10440N	60
	VECM10	28
	VGC8*55I	4
	VEFM10	20

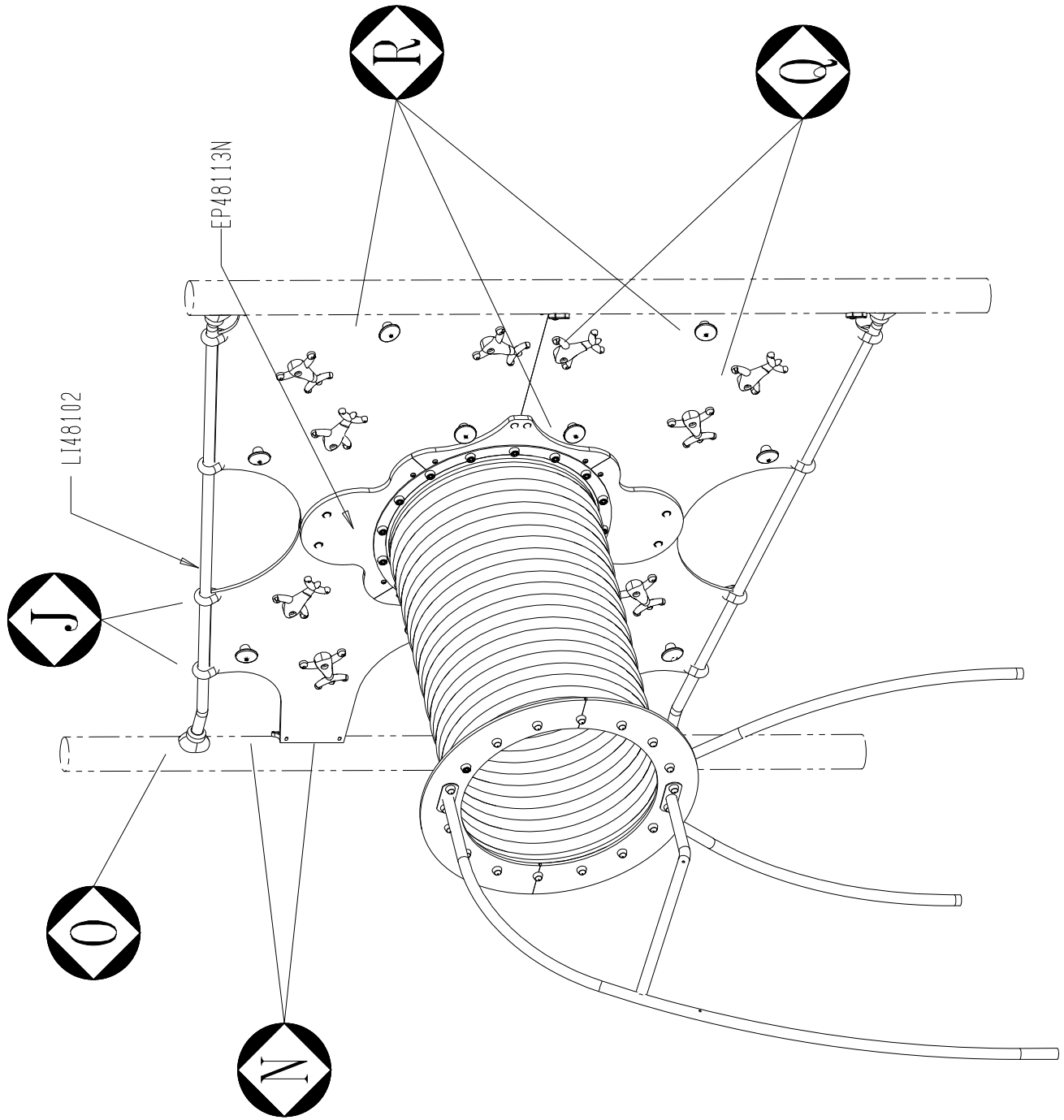


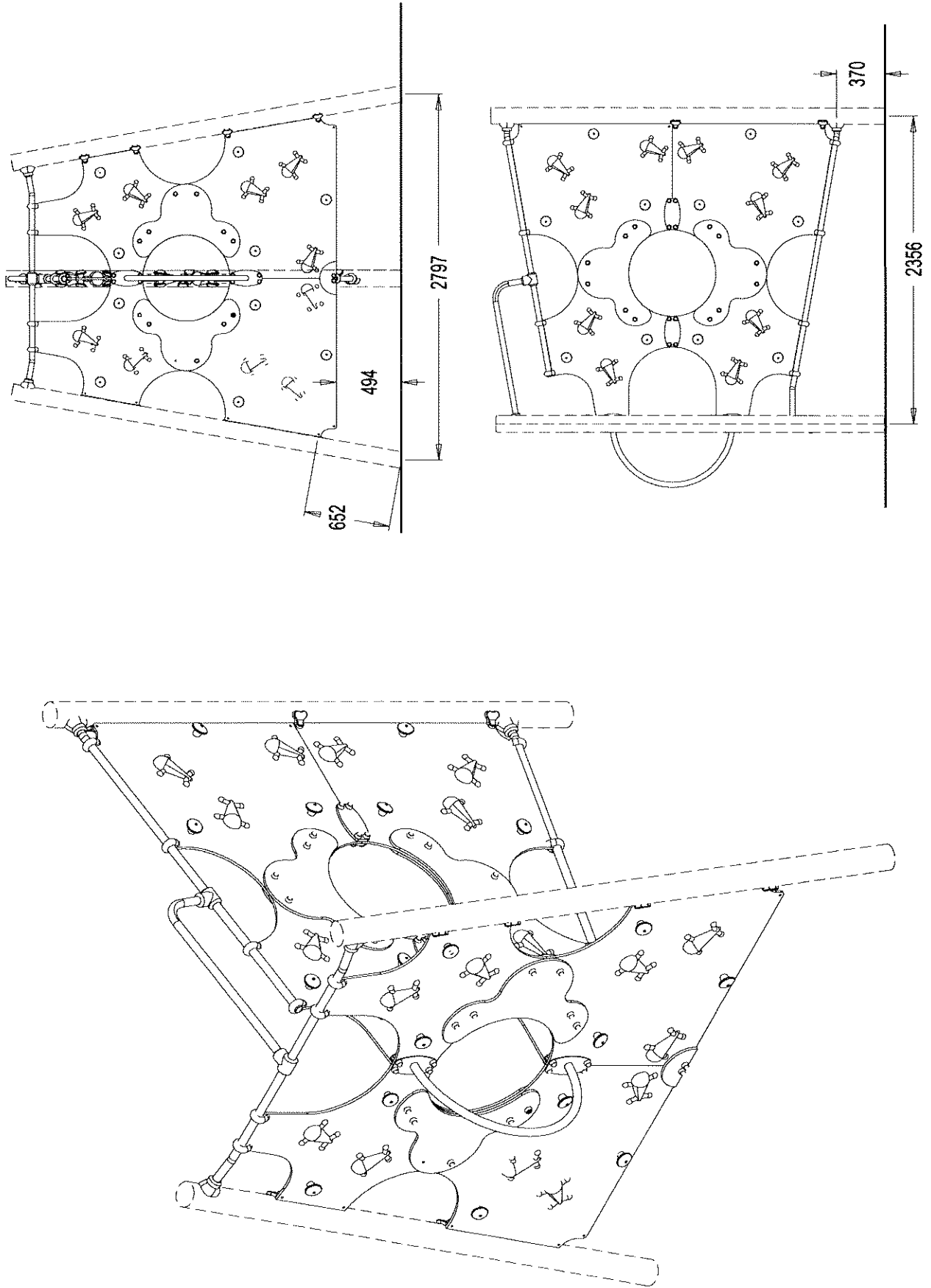


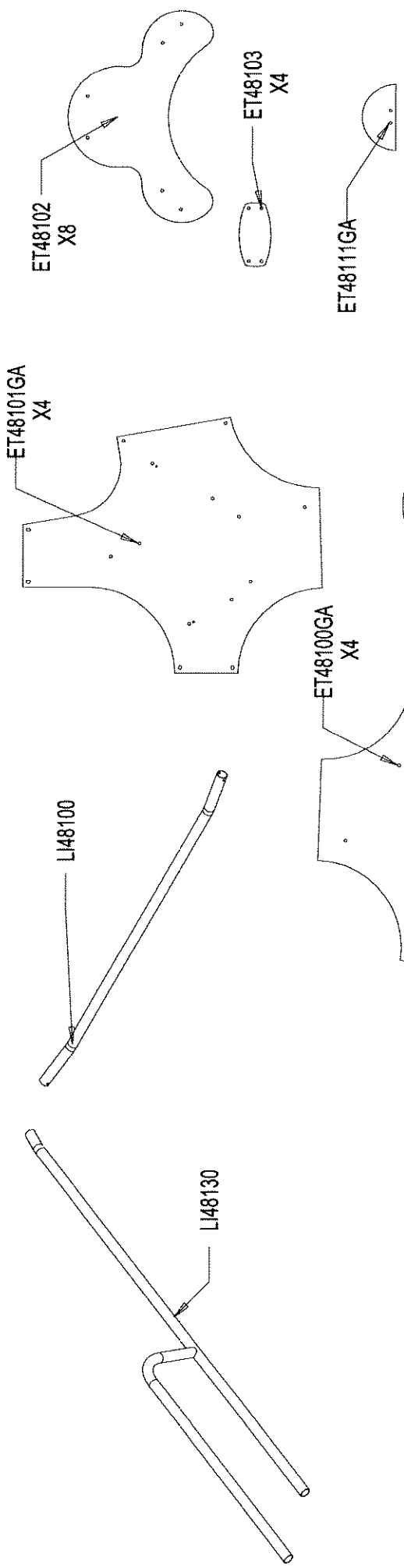
	VTH 10x70	16
	VTH 10x80	2
	VECM8	8
	VBTR8*25	8
	MI4503N	16
	VTRCC10x100	20
	VCBHC10*70I	8
	VCBHC10*40I	33
	VCBHC10*30I	8
	VTH 10x50	6
	VBT 7x60	32
	M10310N	95
	M10440N	159
	VECM10	42
	VEFM10	120
	M2503	2



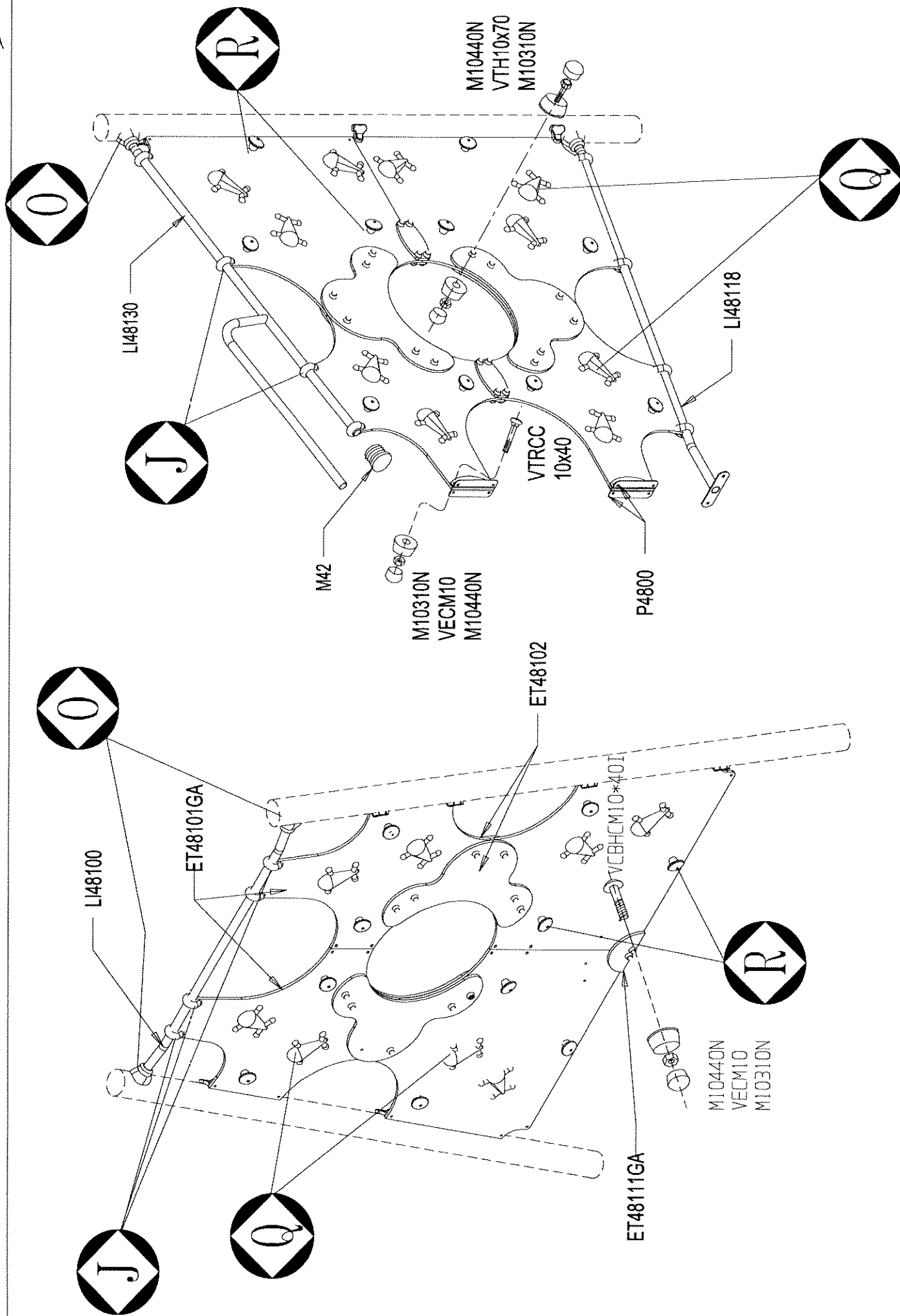


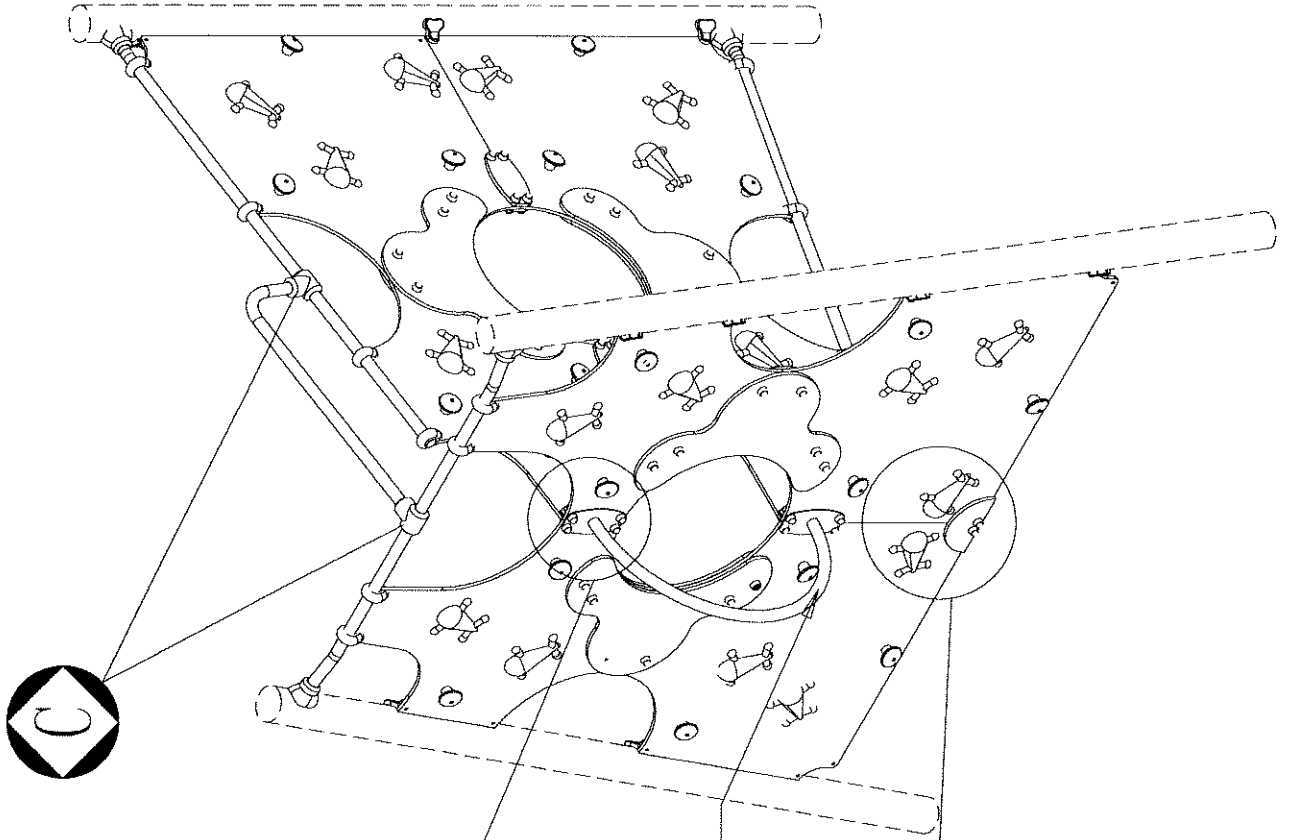






	VTH 10x60	32
	VCZX 6x25	8
	VEBM6	8
	VECM8	12
	VBTR8*25	12
	MI4503N	24
	VTRCC10x100	39
	VTRCC10x40	14
	VBT 7x60	40
	VEBHC10*30I	12
	M10310N	78
	M10440N	192
	VECM10	58
	VGC8*55I	2
	VTRCC10x60	2
	VEFM10	39
	M42	1





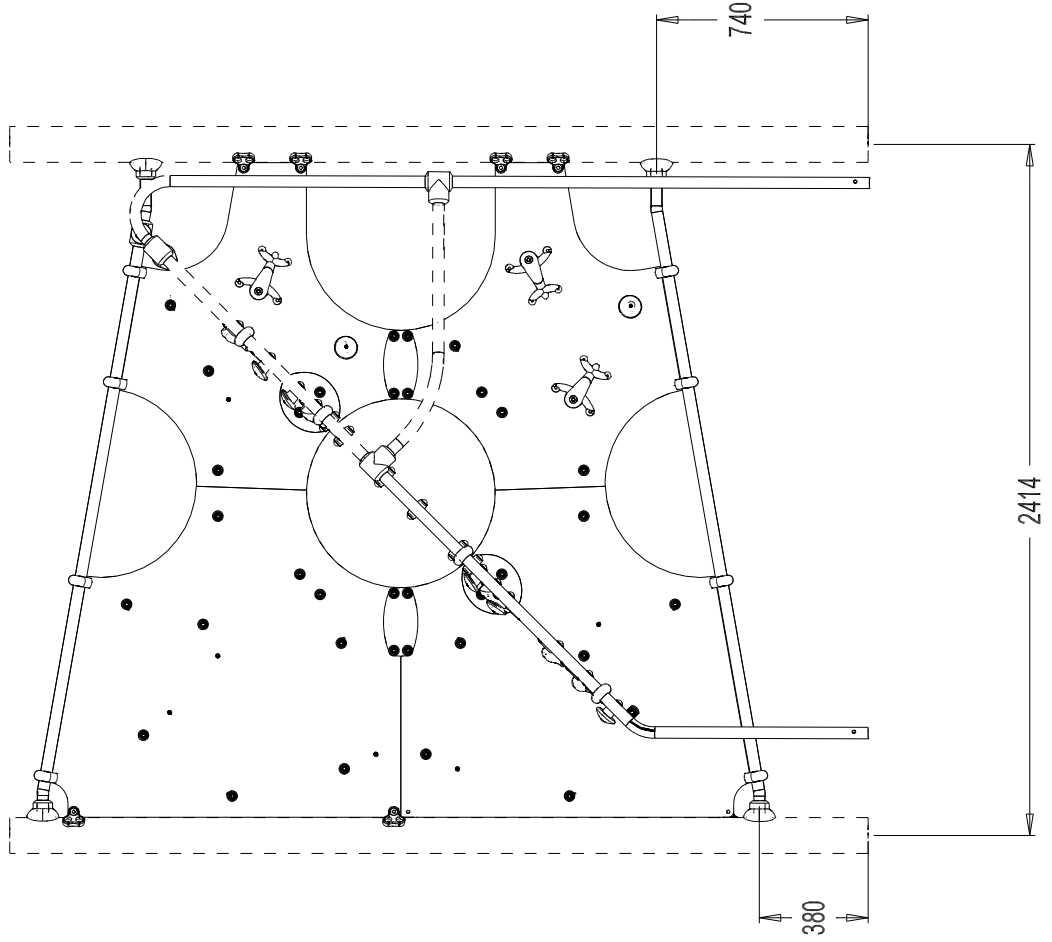
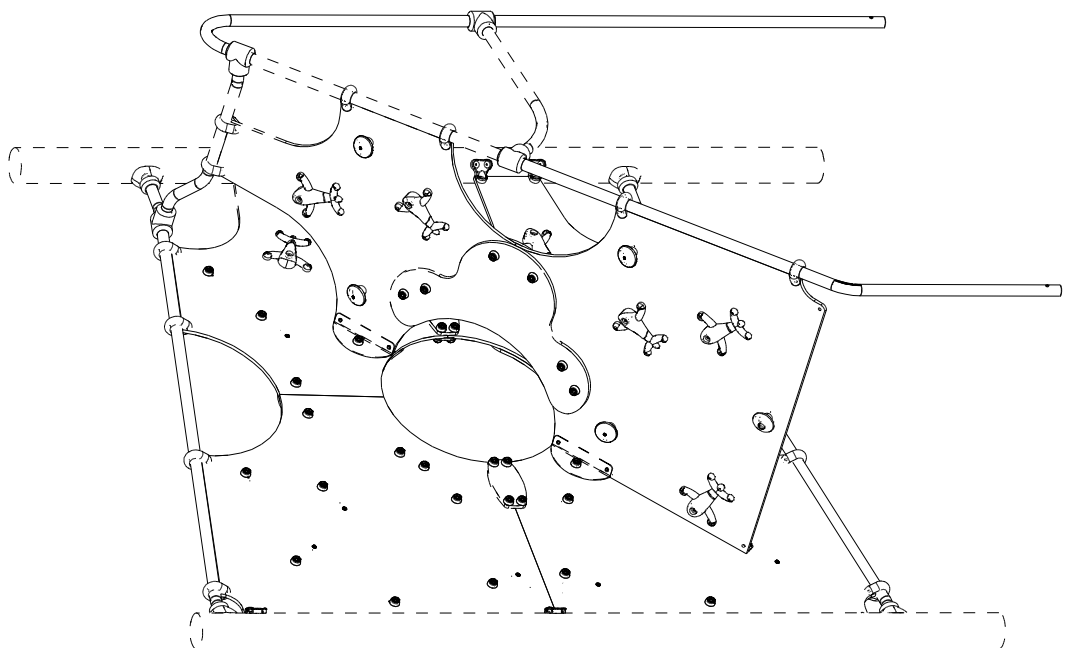
LI48120

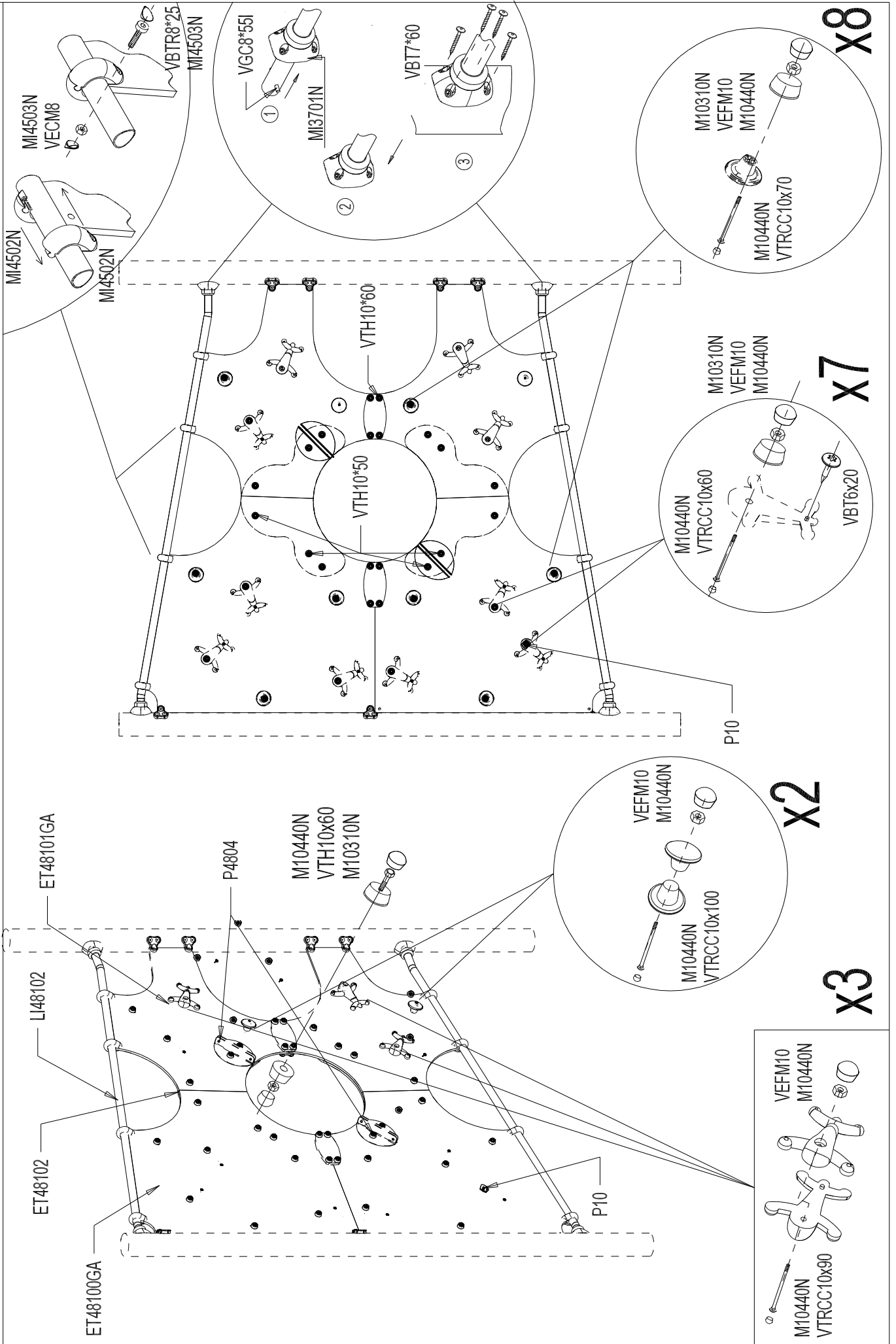
M10310N
VECM10
M10440N

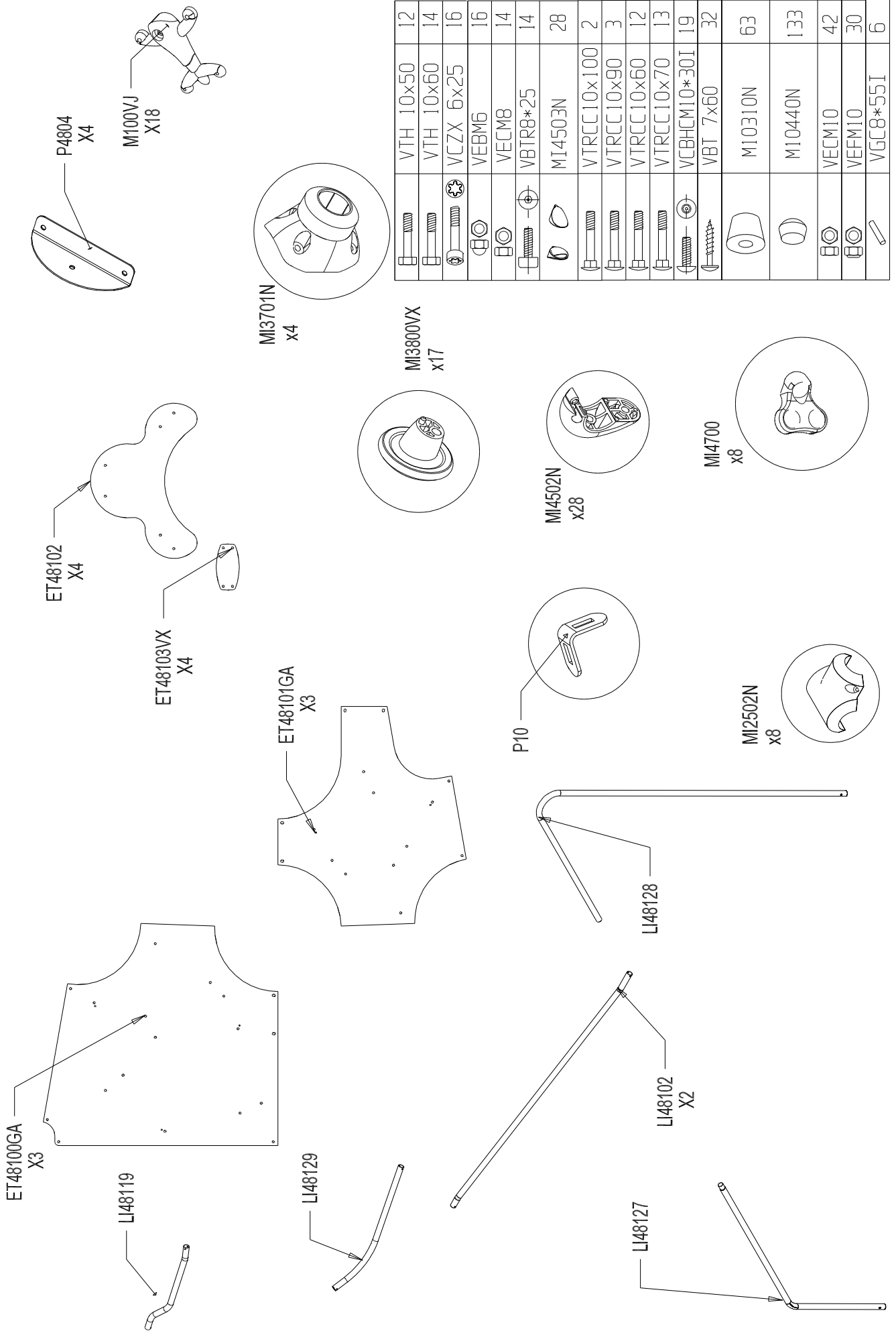
VTRCC
10x40

M10440N
VECM10
M10310N

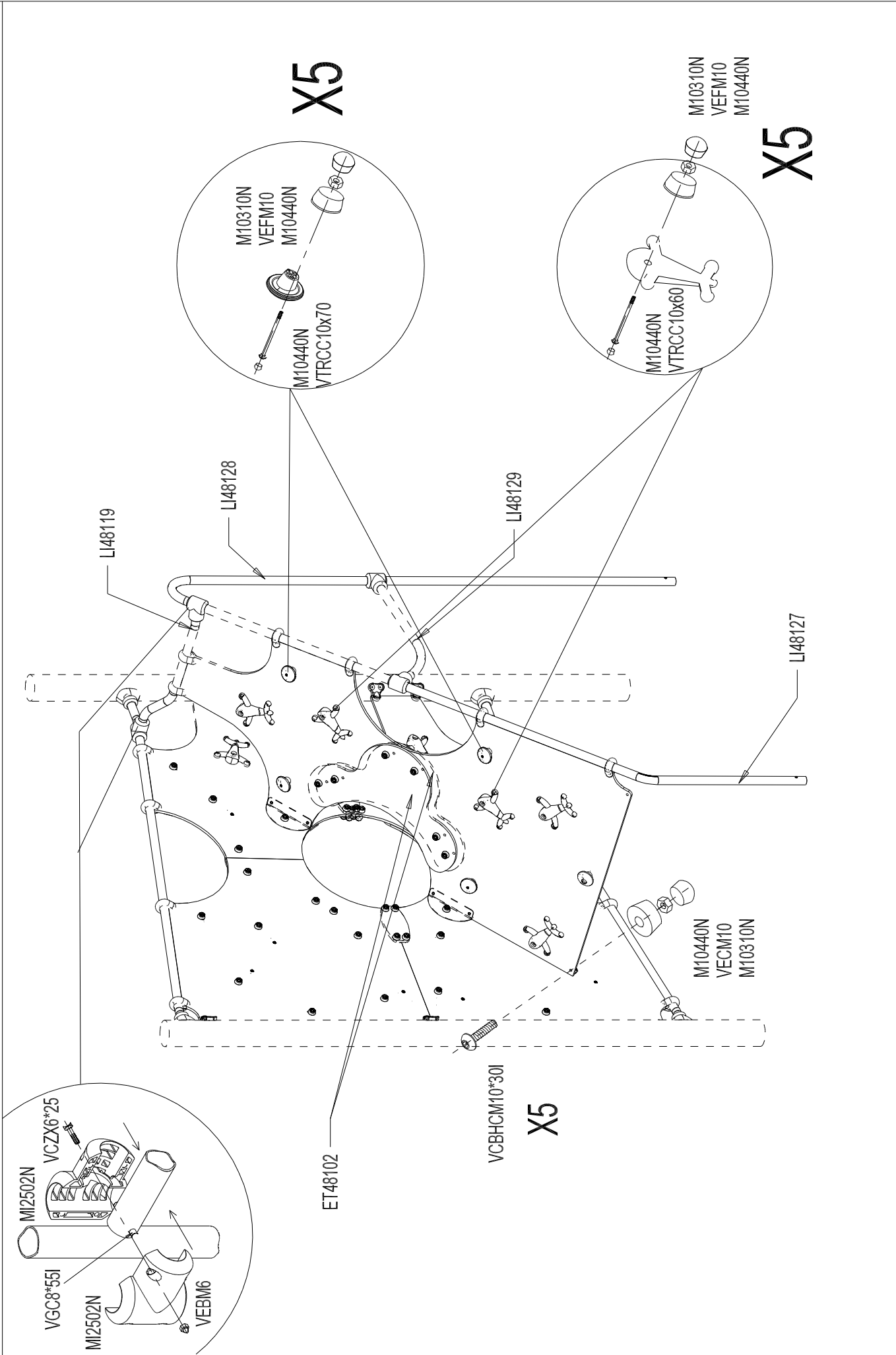
VTRCC
10x60

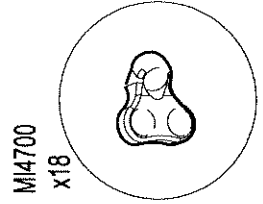
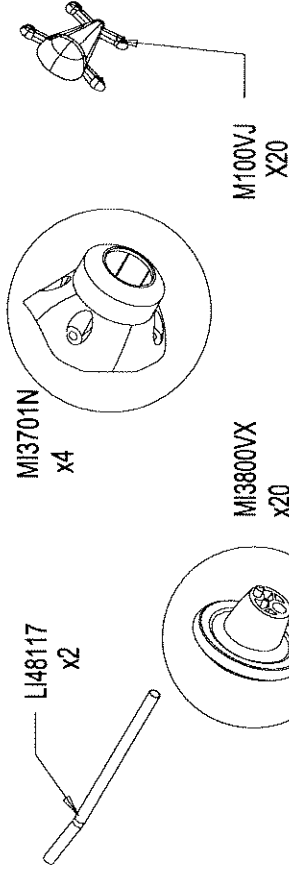
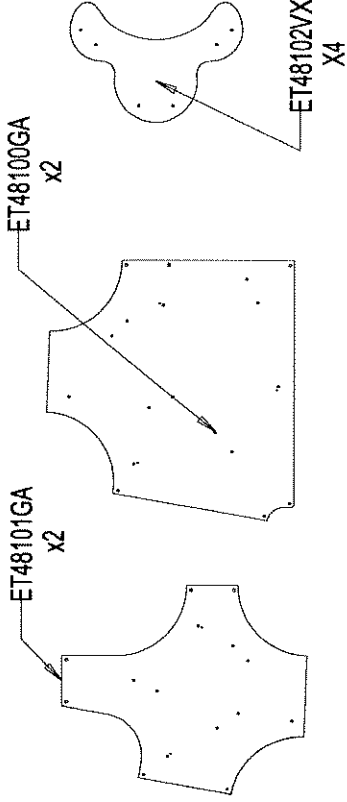
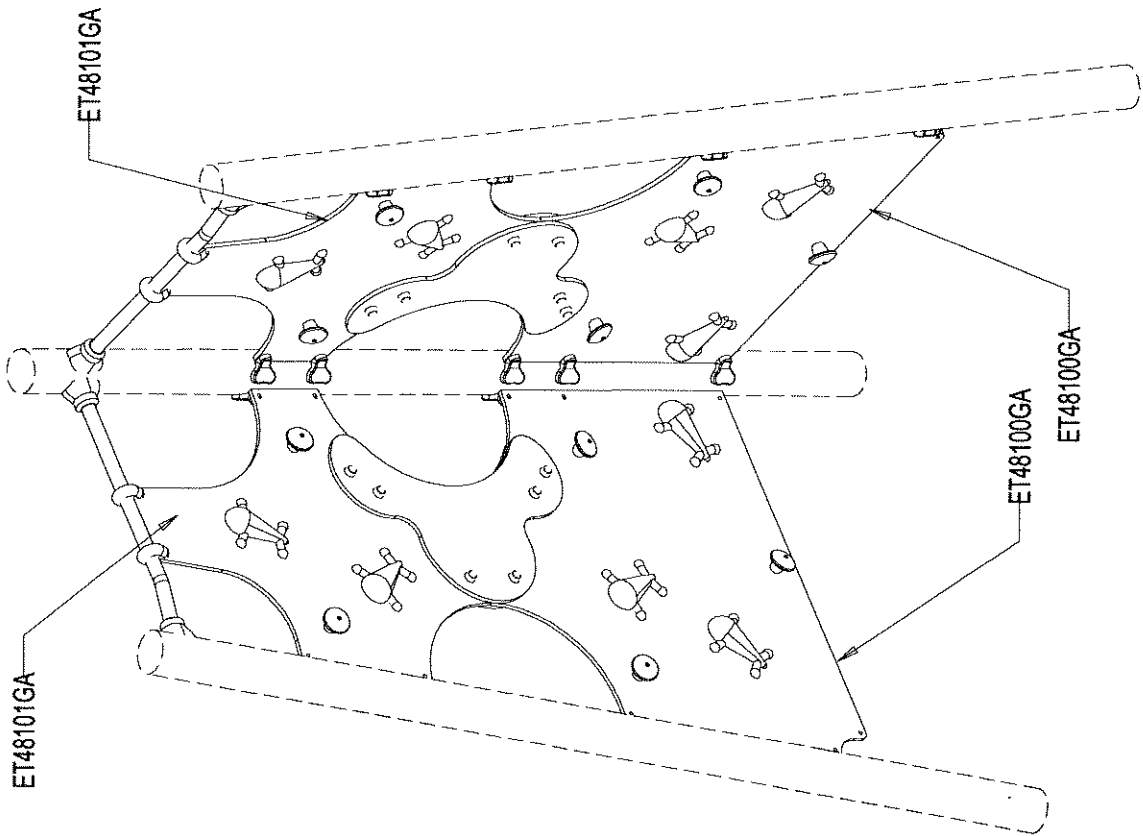




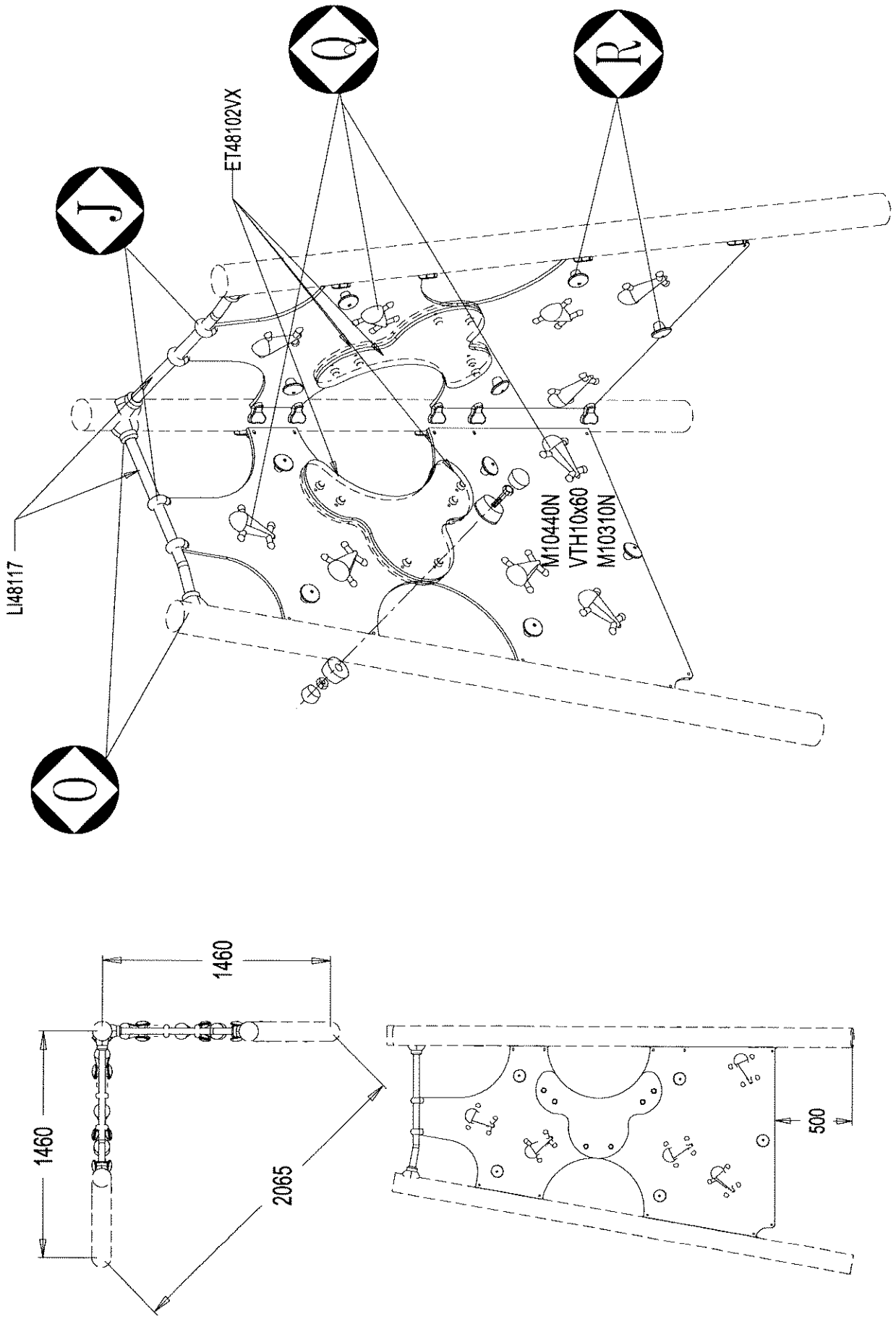


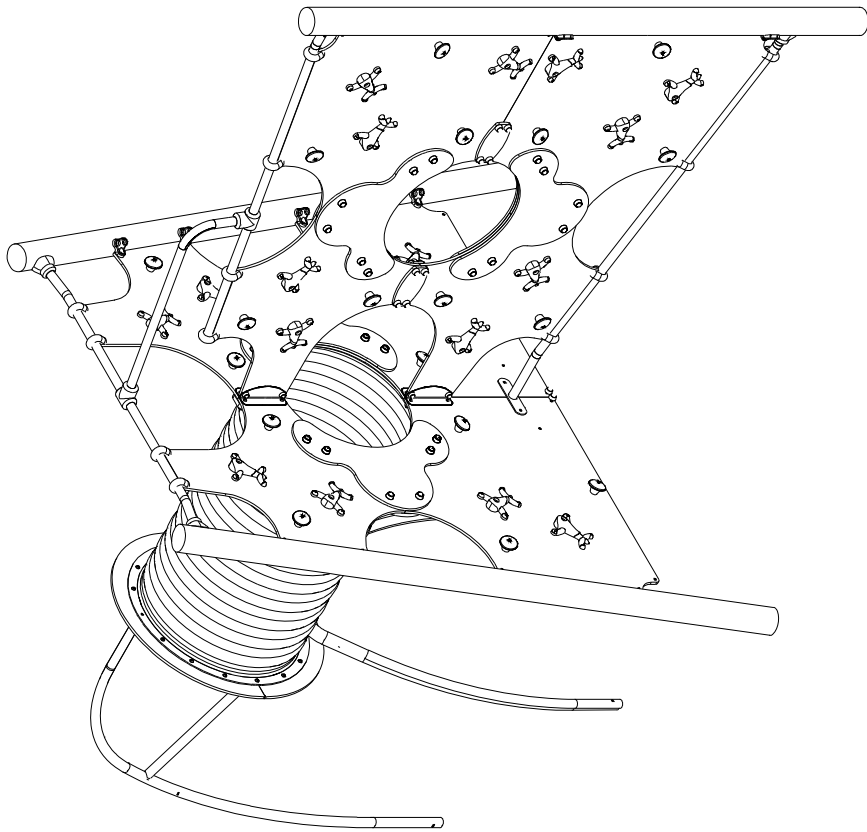
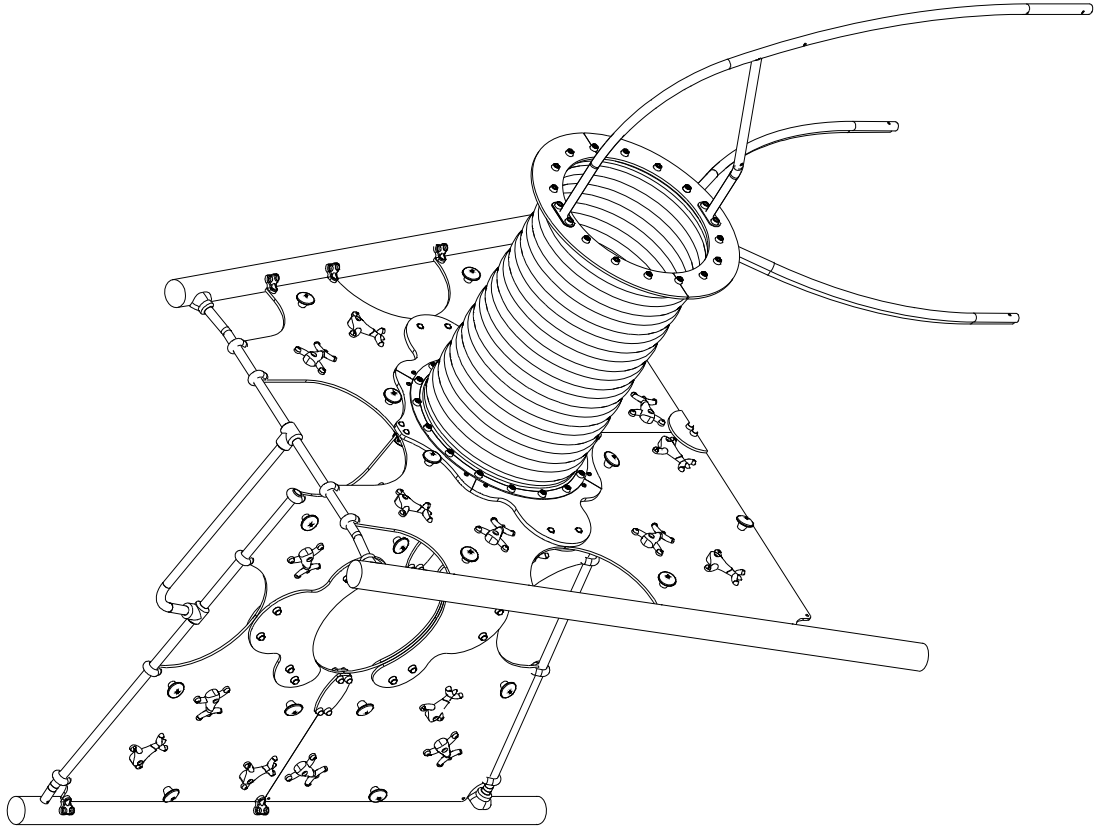
	VTH 10x50	12
	VTH 10x60	14
	VCZX 6x25	16
	VEBM6	16
	VECM8	14
	VBTR8*25	14
	MI4503N	28
	VTRCC10x100	2
	VTRCC10x90	3
	VTRCC10x60	12
	VTRCC10x70	13
	VCBHC10*30I	19
	VBT 7x60	32
	M10310N	63
	M10440N	133
	VECM10	42
	VEFM10	30
	VGC8*55I	6

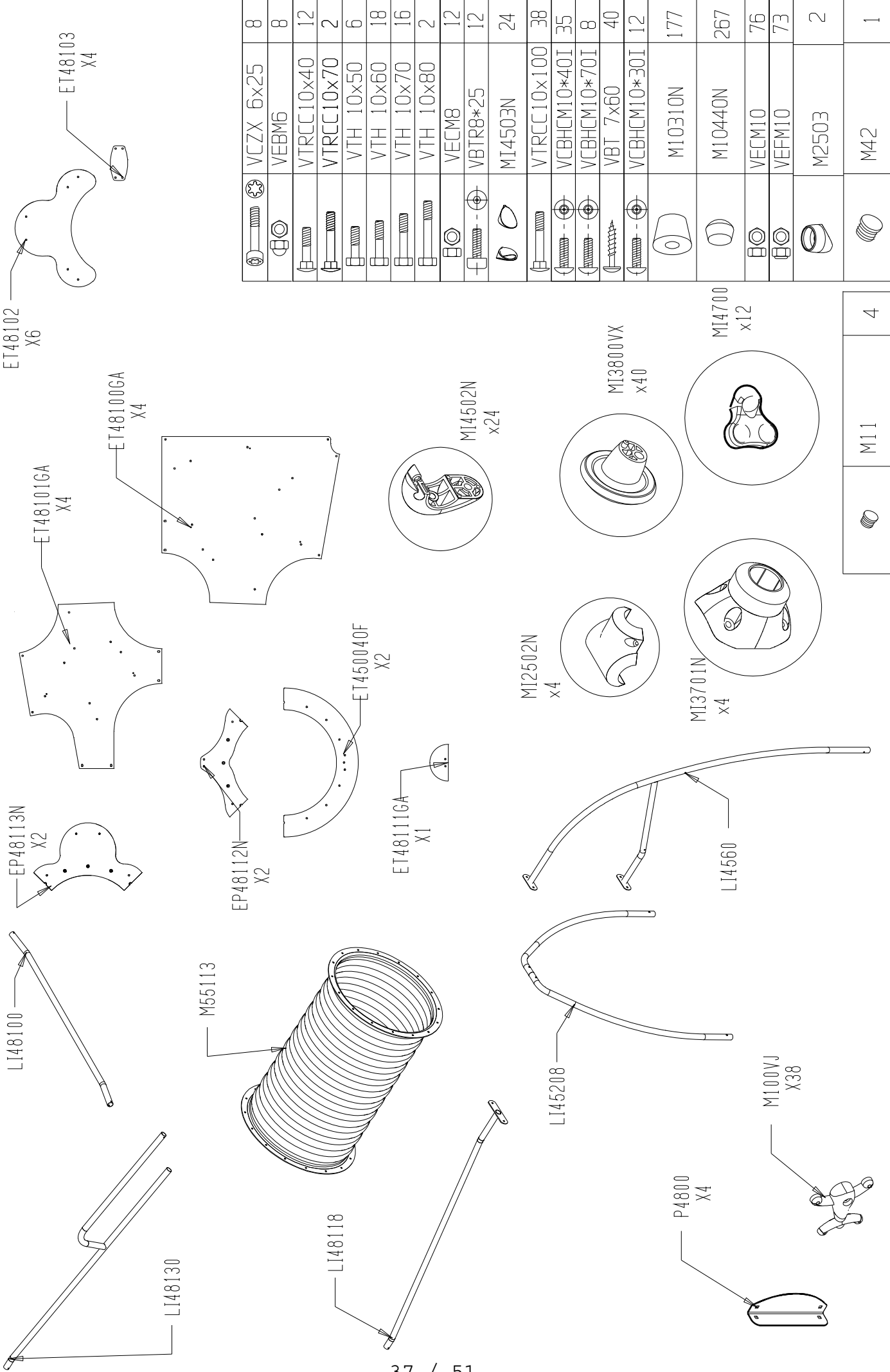




	VTH 10x60	12
	VECM8	4
	VBTR8*25	4
	MI4503N	8
	VTRCC10x100	20
	VBT 7x60	52
	VCBHCMI0*30I	18
	MI0310N	24
	MI0440N	118
	VECM10	30
	VEFM10	20

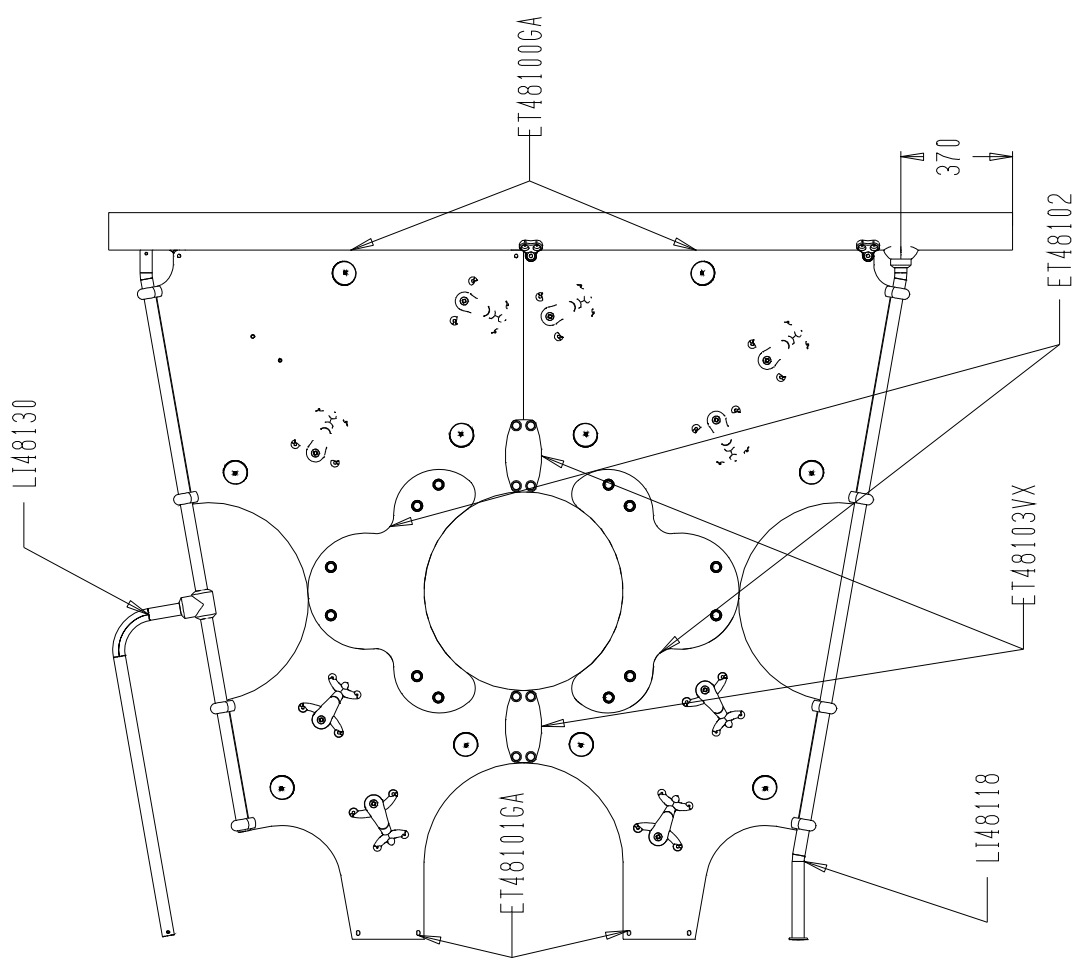
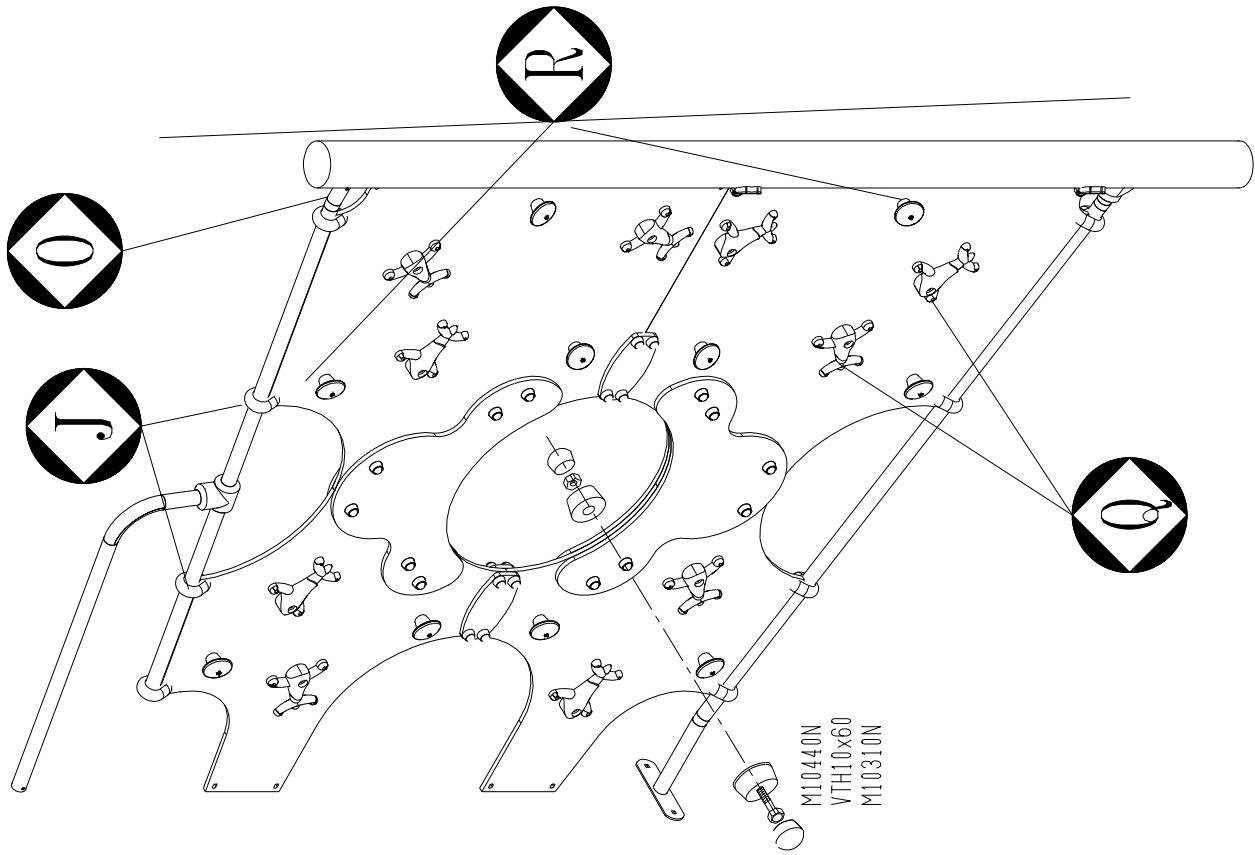


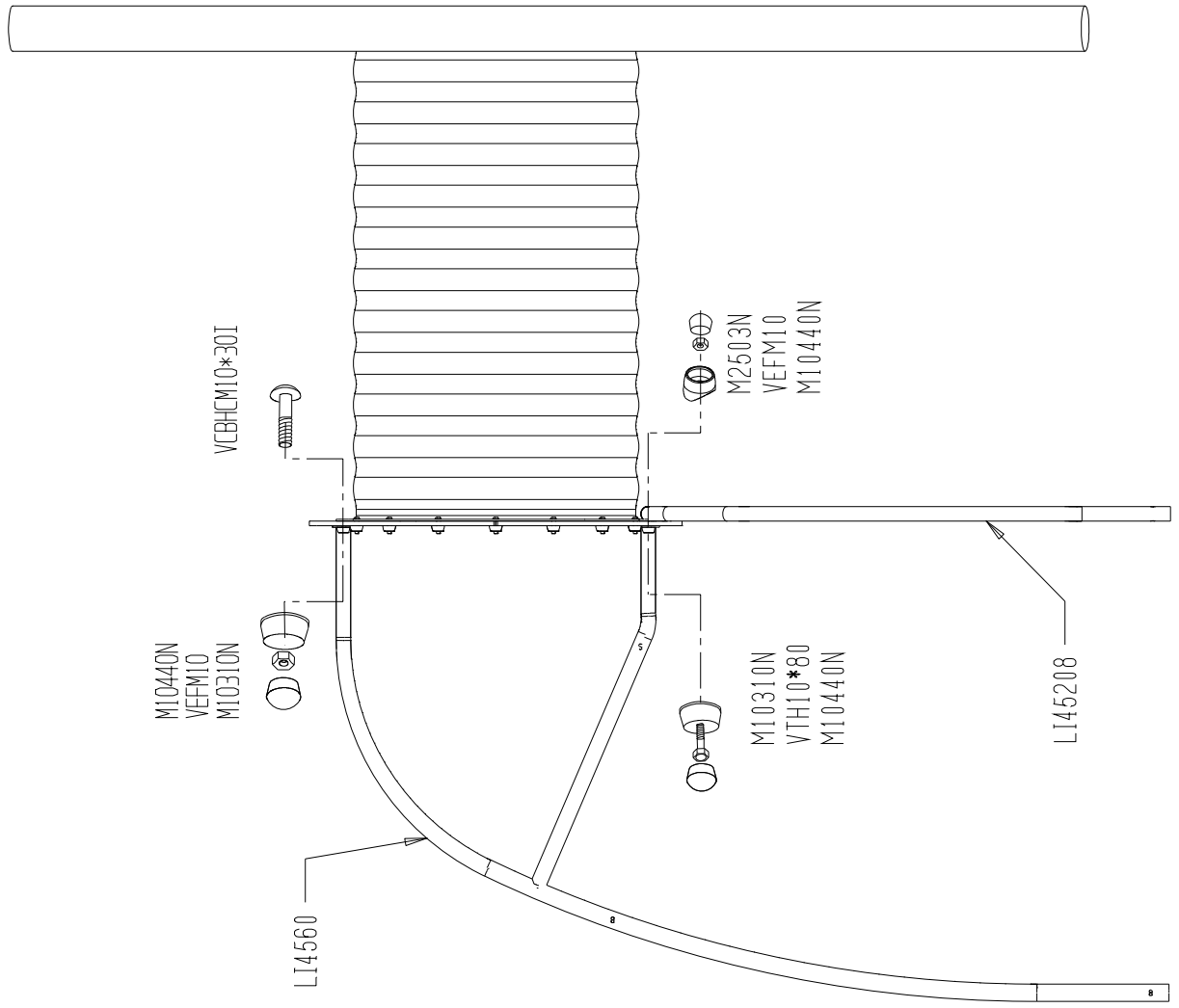
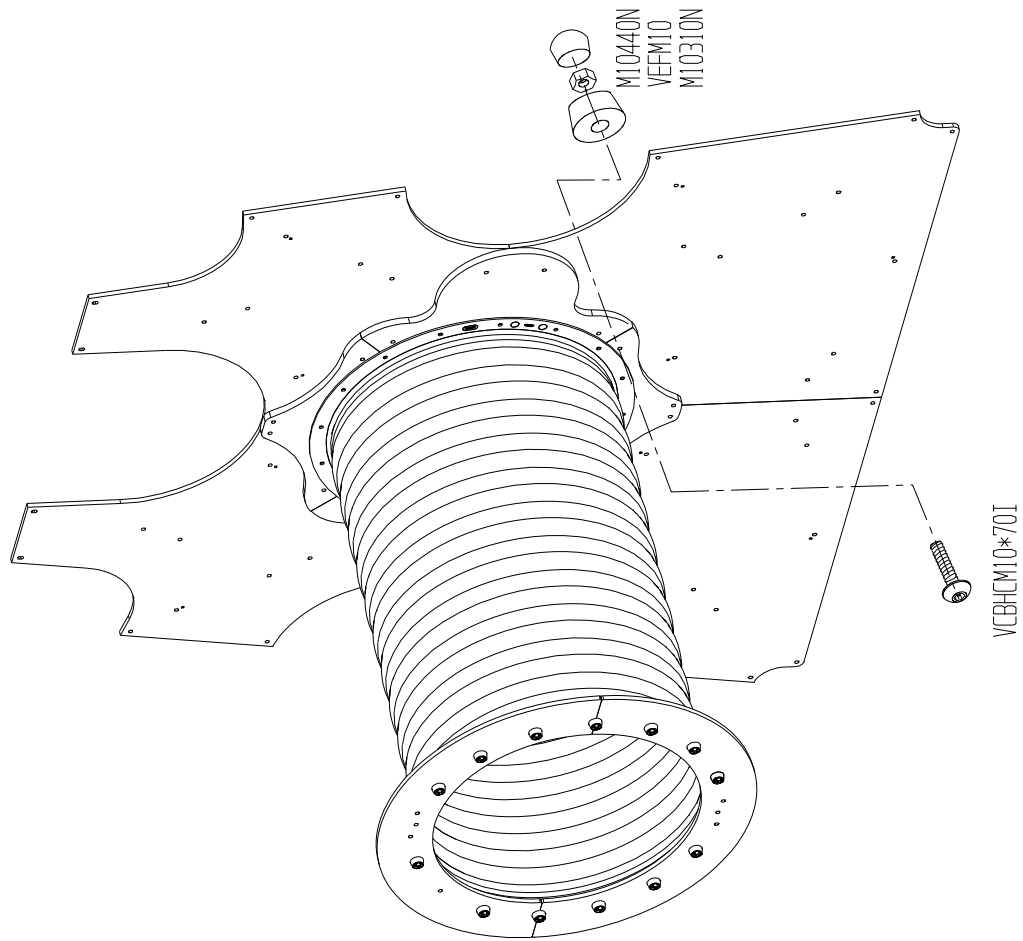




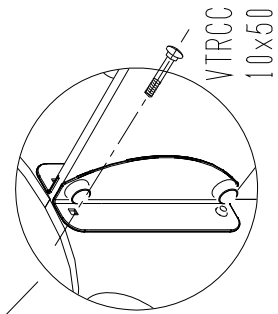
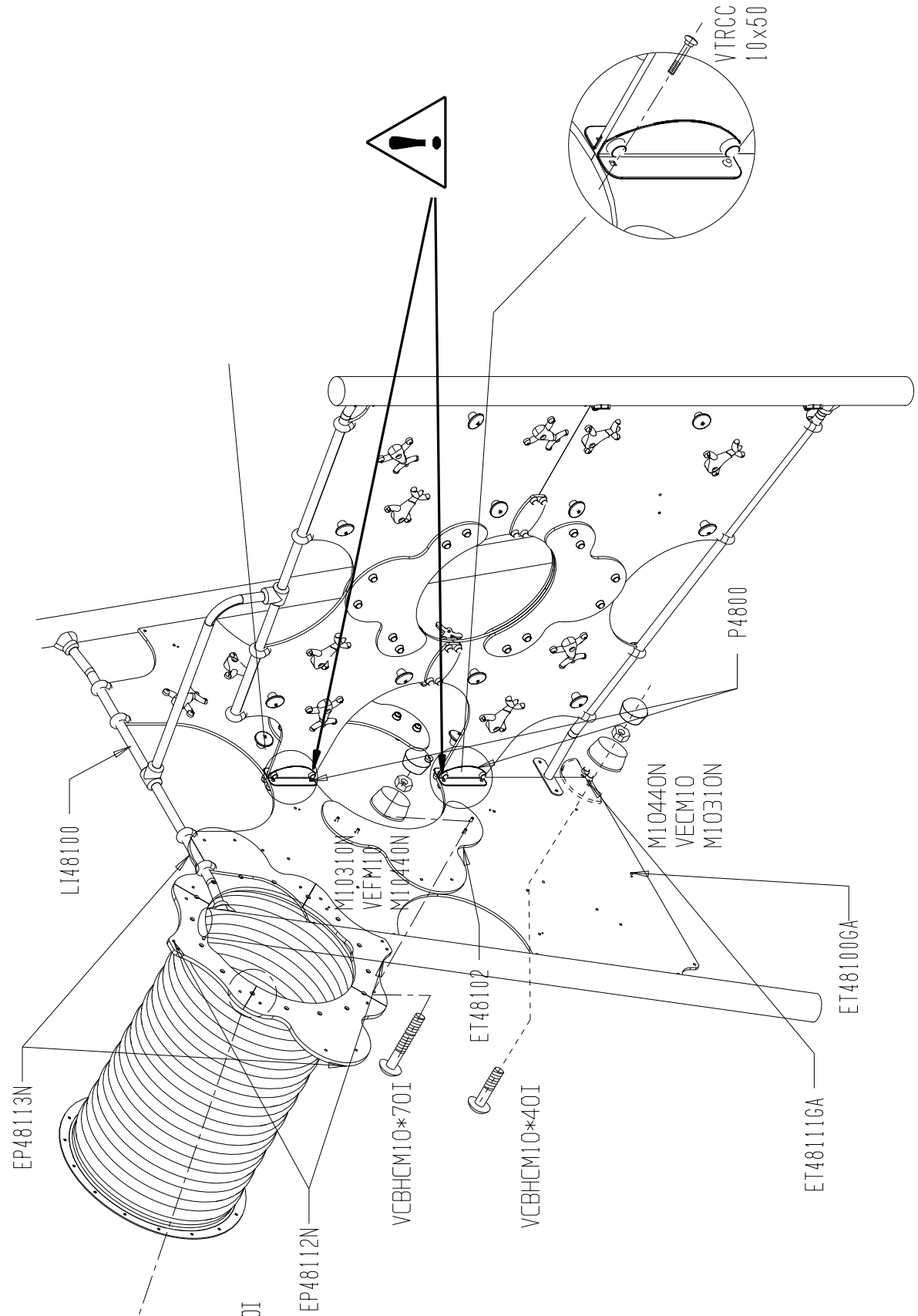
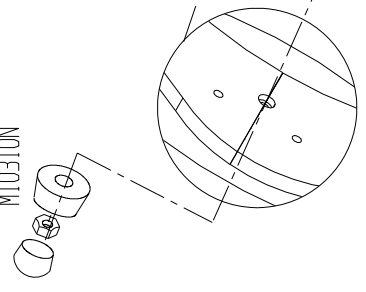
	VCZX 6x25	8
	VEBM6	8
	VTRCC10x40	12
	VTRCC10x70	2
	VTH 10x50	6
	VTH 10x60	18
	VTH 10x70	16
	VTH 10x80	2
	VECM8	12
	VBTR8*25	12
	MI4503N	24
	VTRCC10x100	38
	VCBHC10*40I	35
	VCBHC10*70I	8
	VBT 7x60	40
	VCBHC10*30I	12
	M10310N	177
	M10440N	267
	VECM10	76
	VEFM10	73
	M2503	2
	M42	1

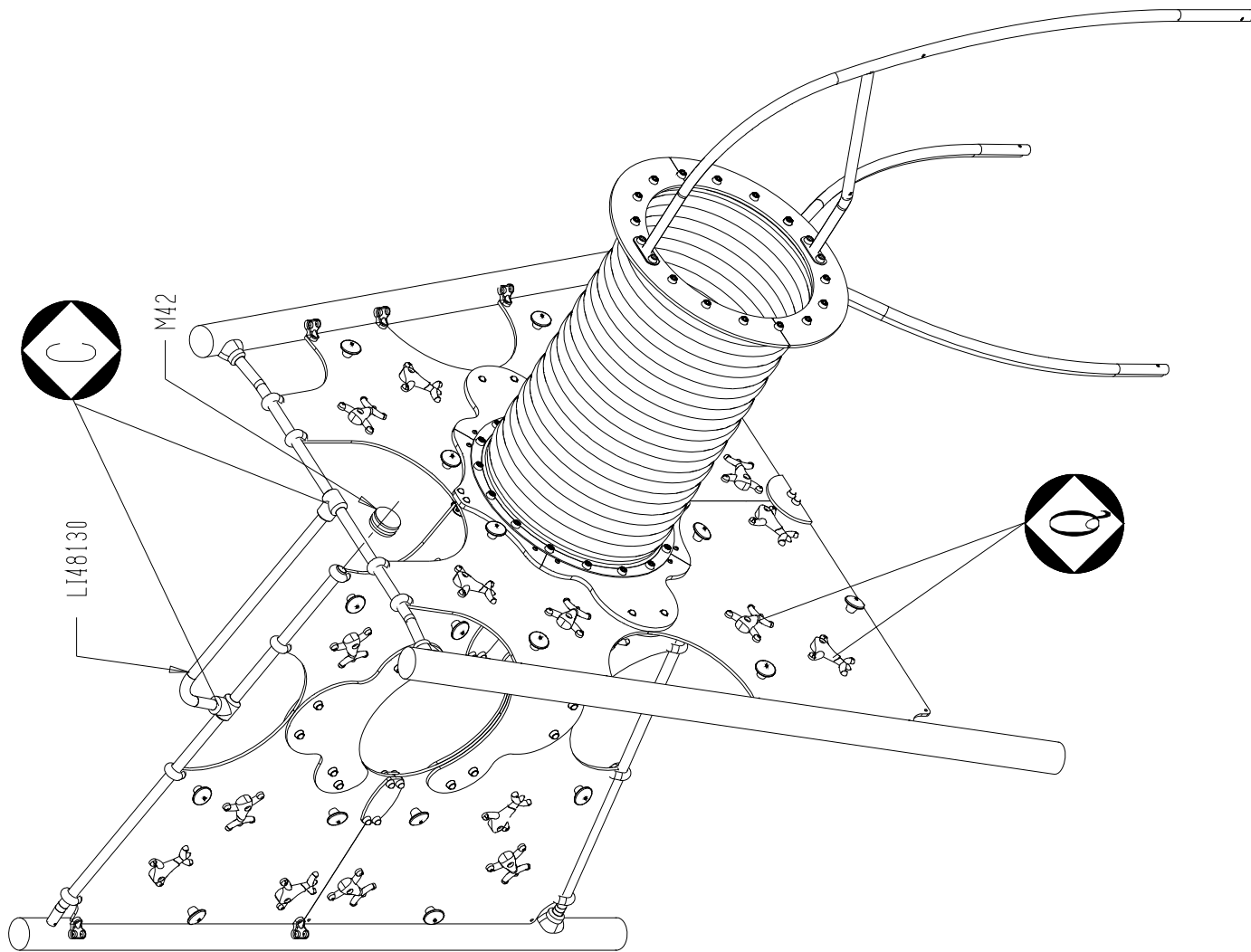
	M11	4
--	-----	---

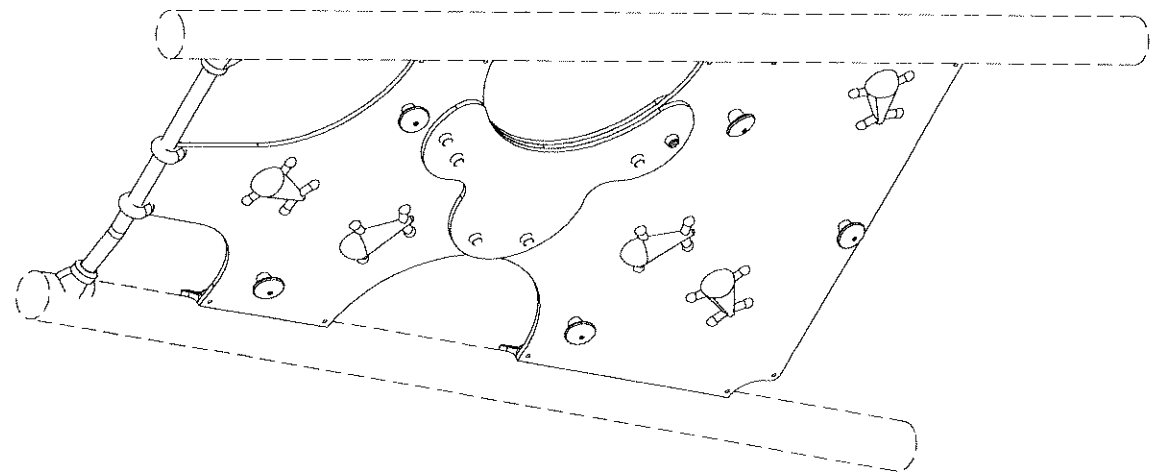




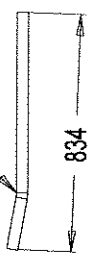
M10440N
VEFM10
M10310N



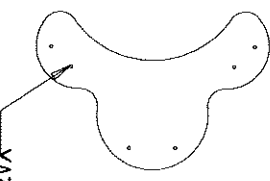




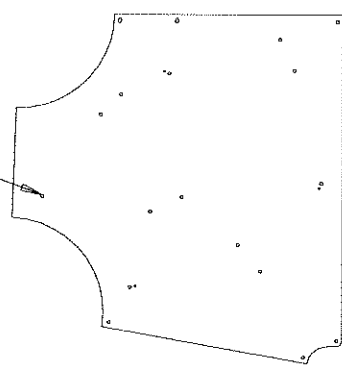
LI48117



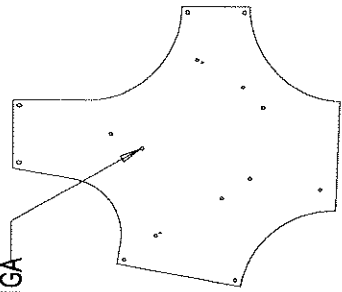
ET48102VX
x2



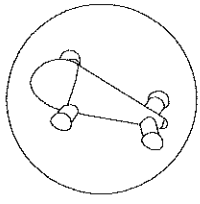
ET48100GA



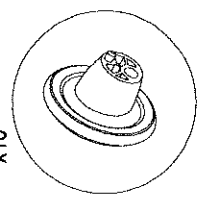
ET48101GA



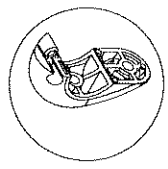
M100VJ
x10



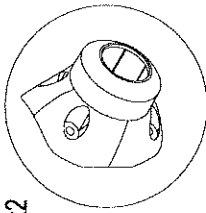
M13800VX
x10



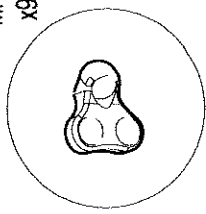
M14502N
x4



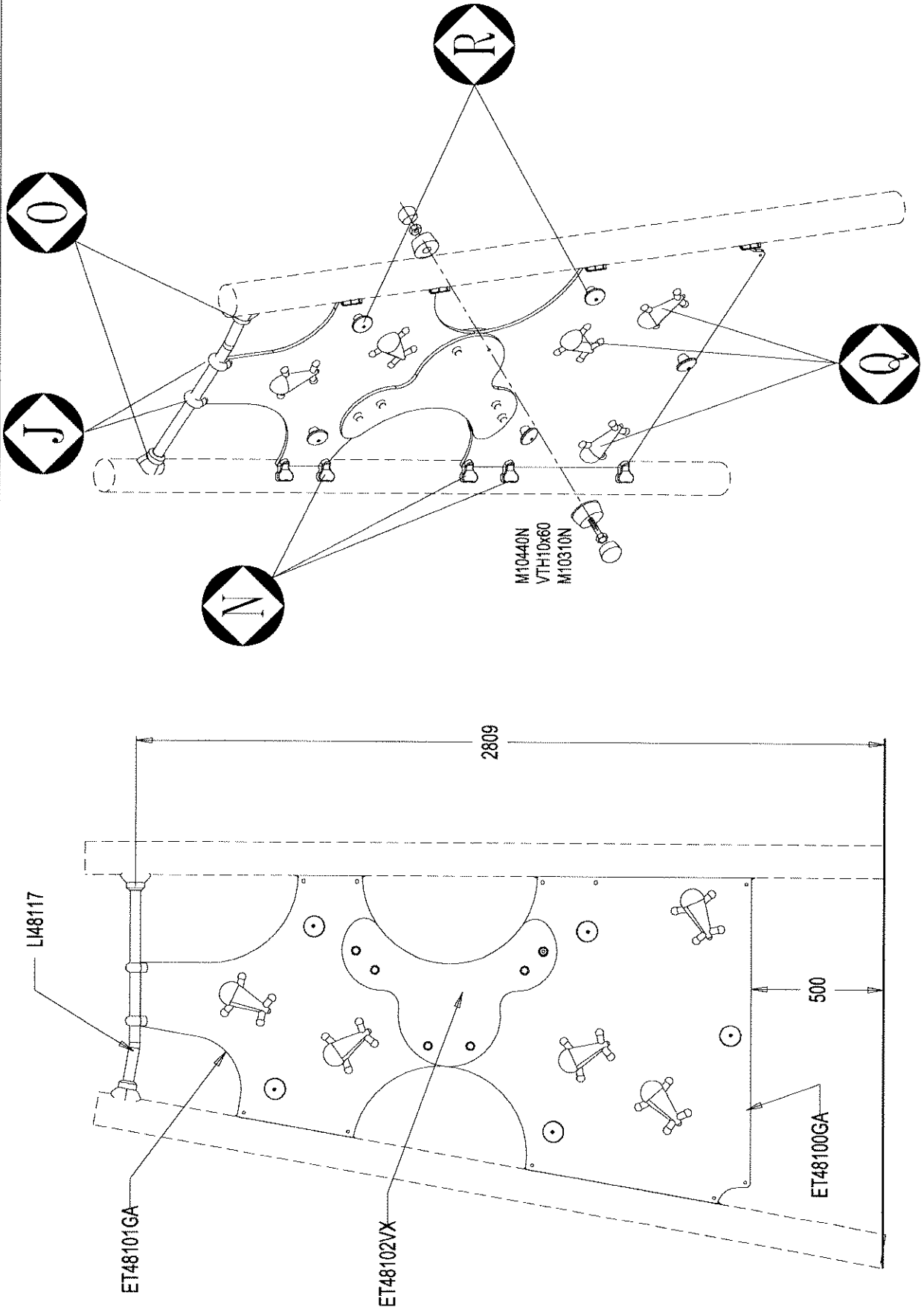
M13701N
x2



M14700
x9



	VTH 10x60	6
	VECM8	2
	VBTR8*25	2
	MI4503N	4
	VTRCC10x100	10
	VBT 7x60	26
	VLBHCM10*30I	9
	M10310N	12
	M10440N	59
	VECM10	15
	VEFM10	10



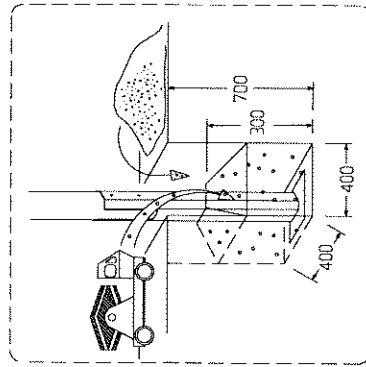
MI025VX



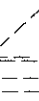
CL2502



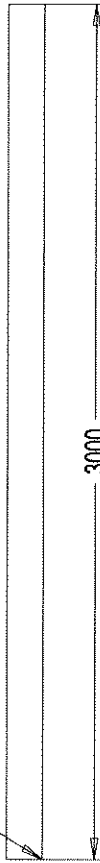
3000



LG2553

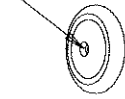


CL2502

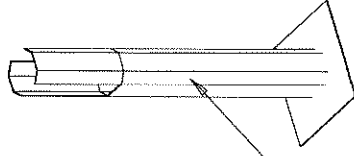


3000

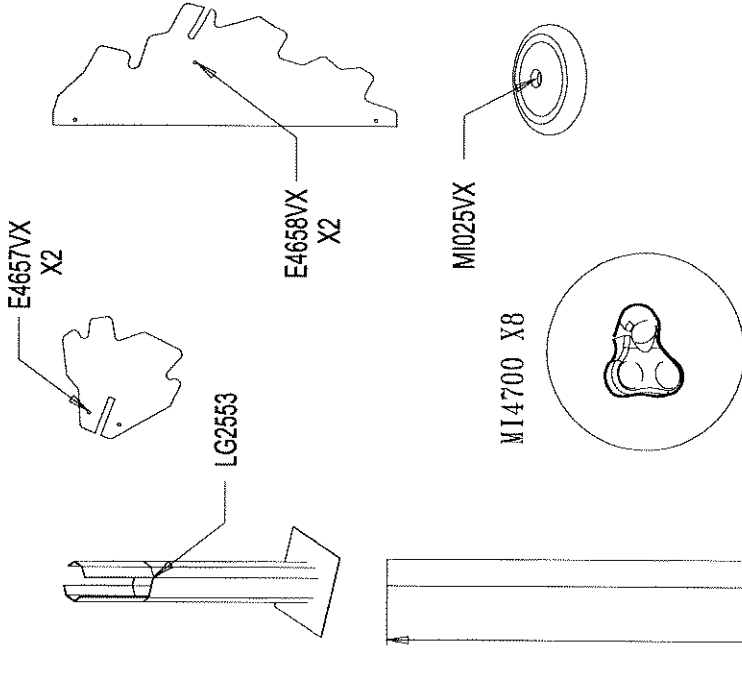
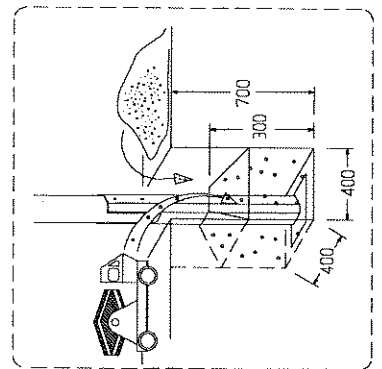
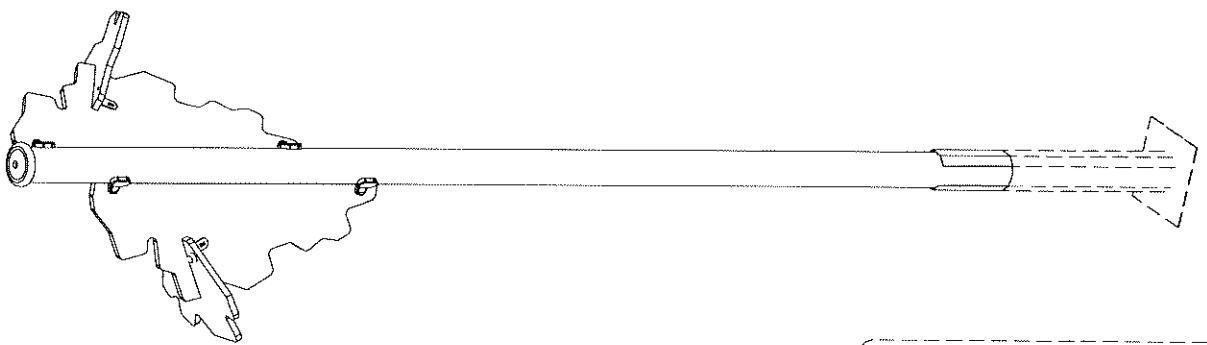
MI025



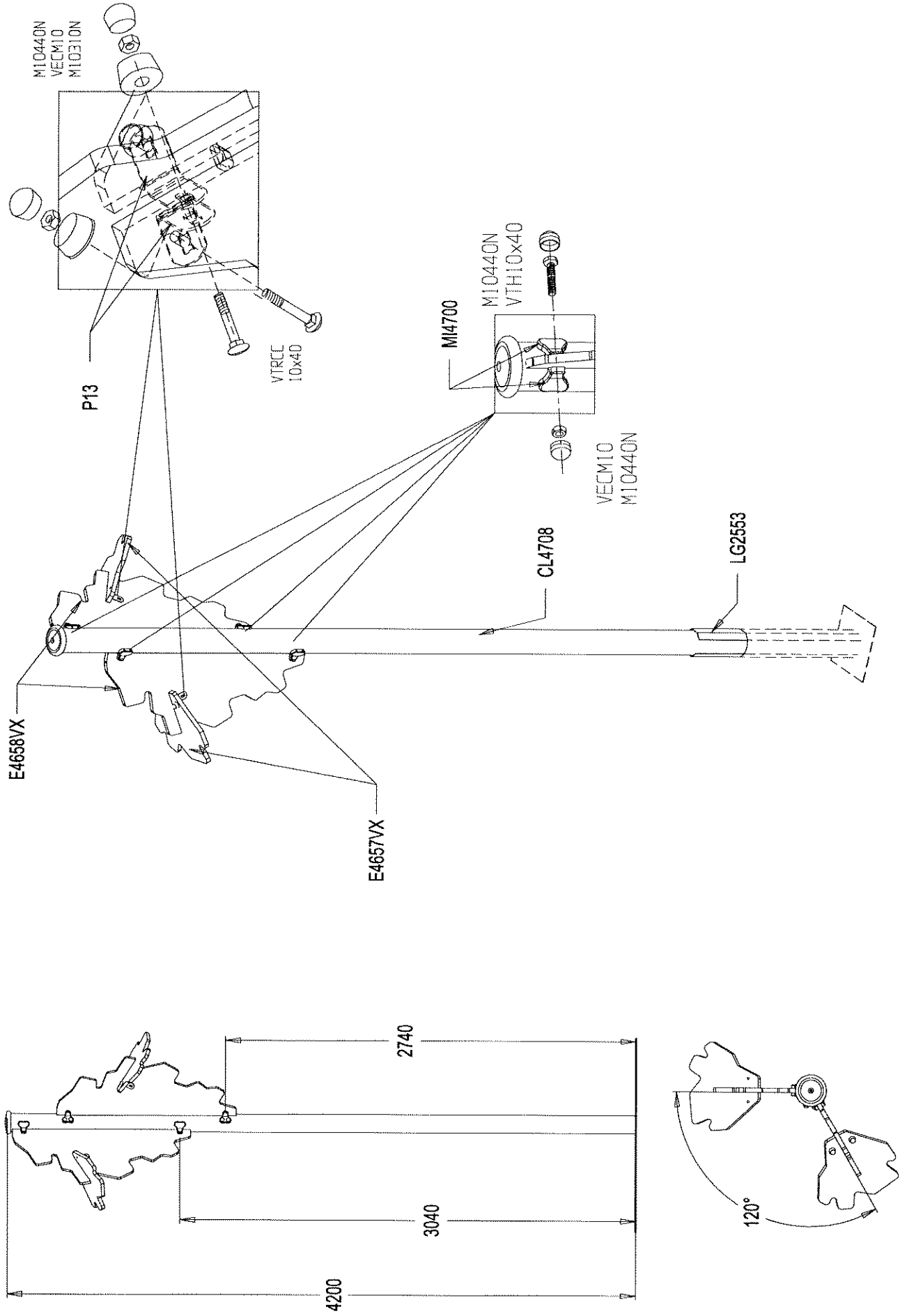
LG2553

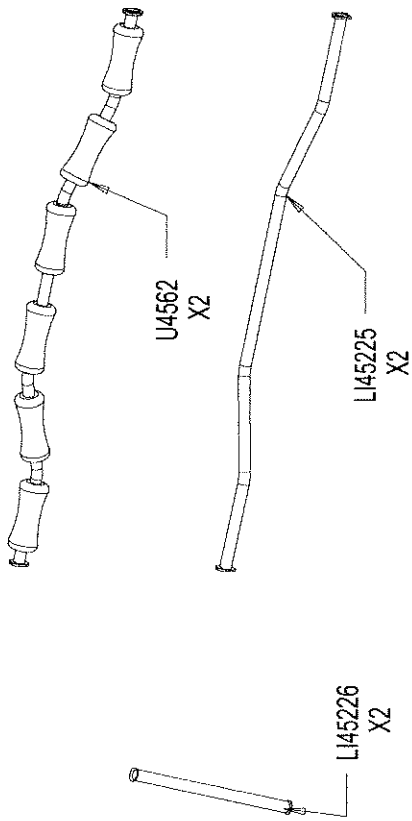
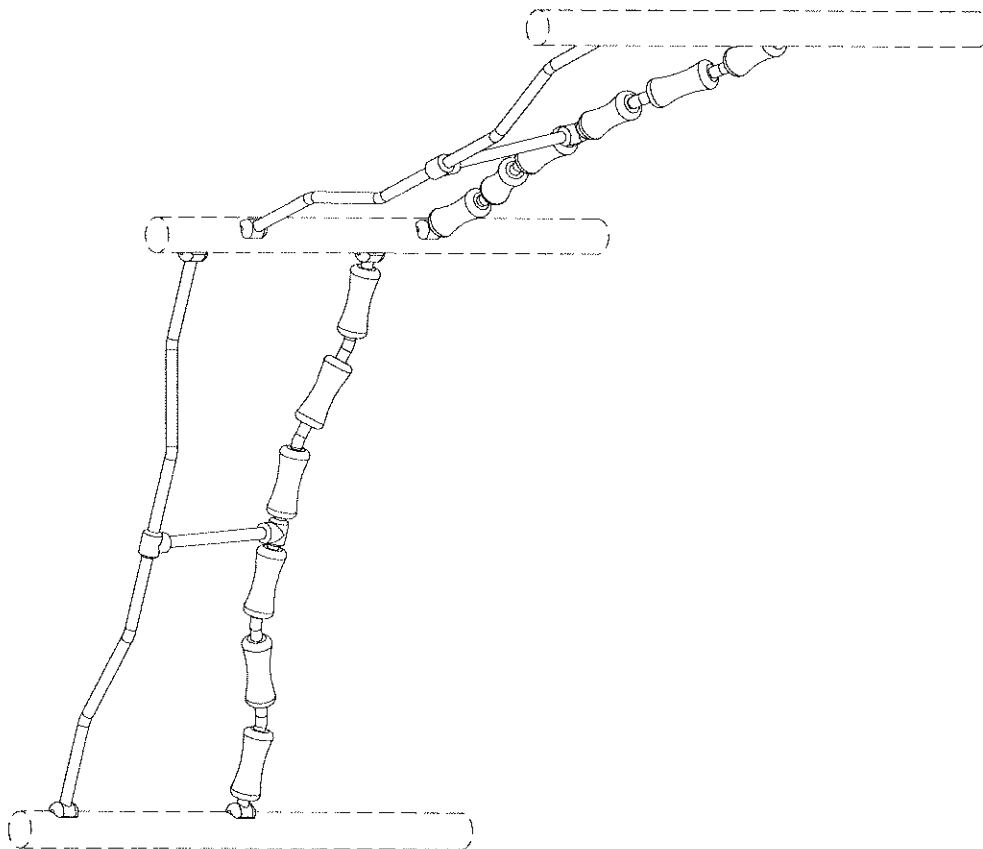


	VBT 7x60	1
	VTF 10x60	2
	VTRCC10X140	1
	MI0310N	3
	M10440N	4
	VECM10	1

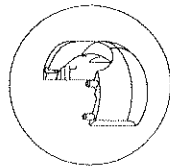


	VTH 10x40	4
	VRCC10x40	6
	P13	4
	VBT 7x60	17
	VTF 10x60	2
	VRCC10x140	1
	M10310N	9
	M10440N	33
	VECM10	11





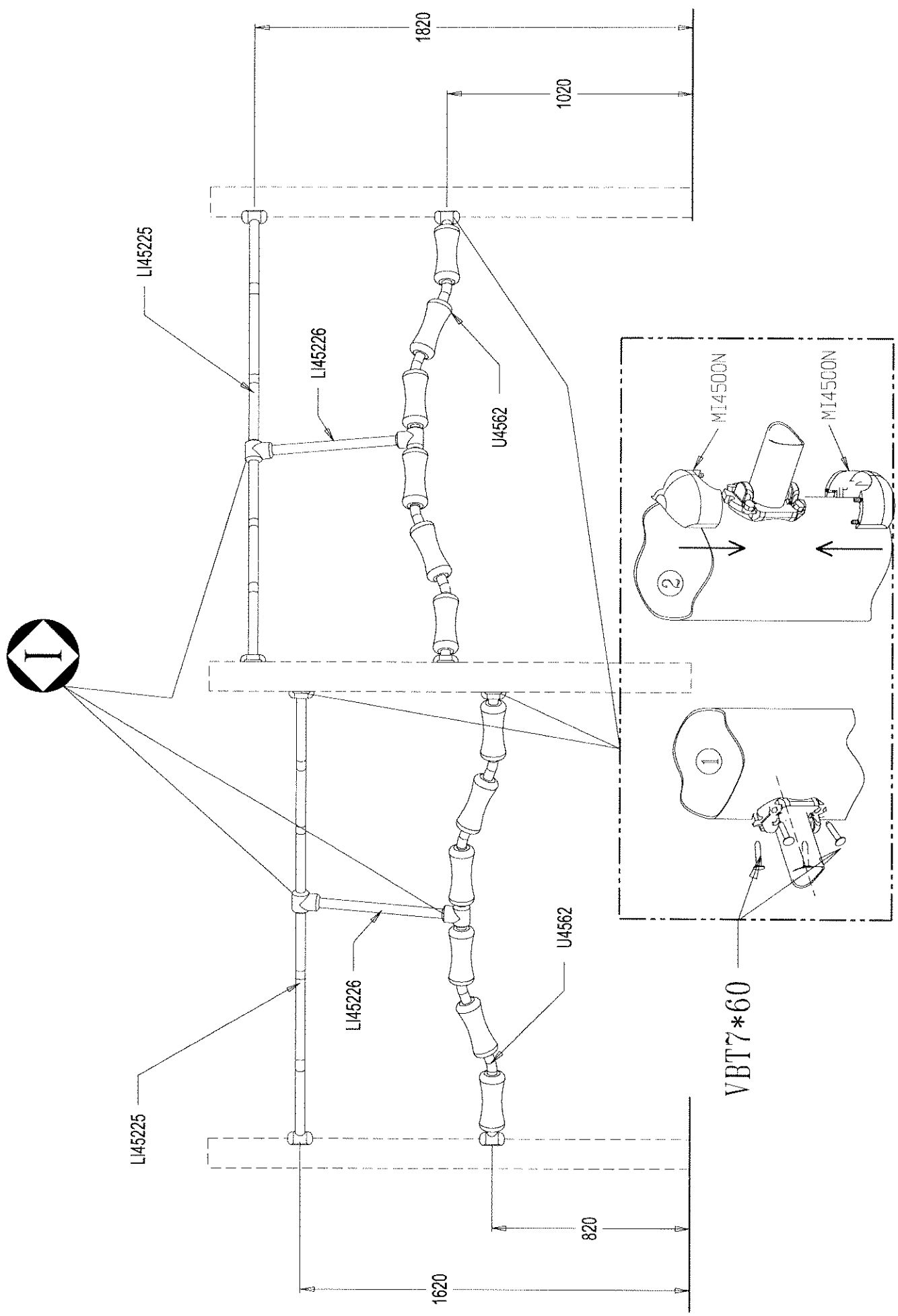
MI2502N x16

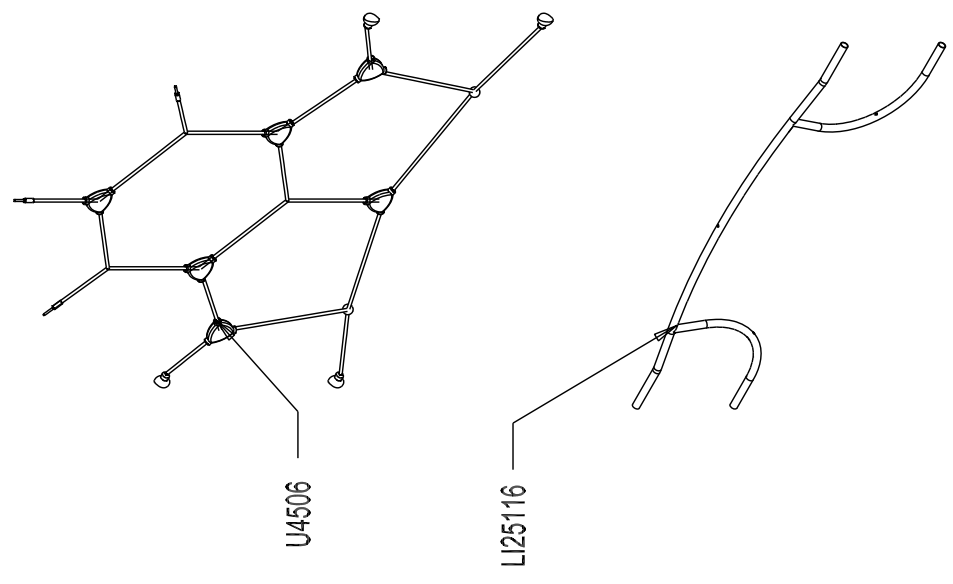
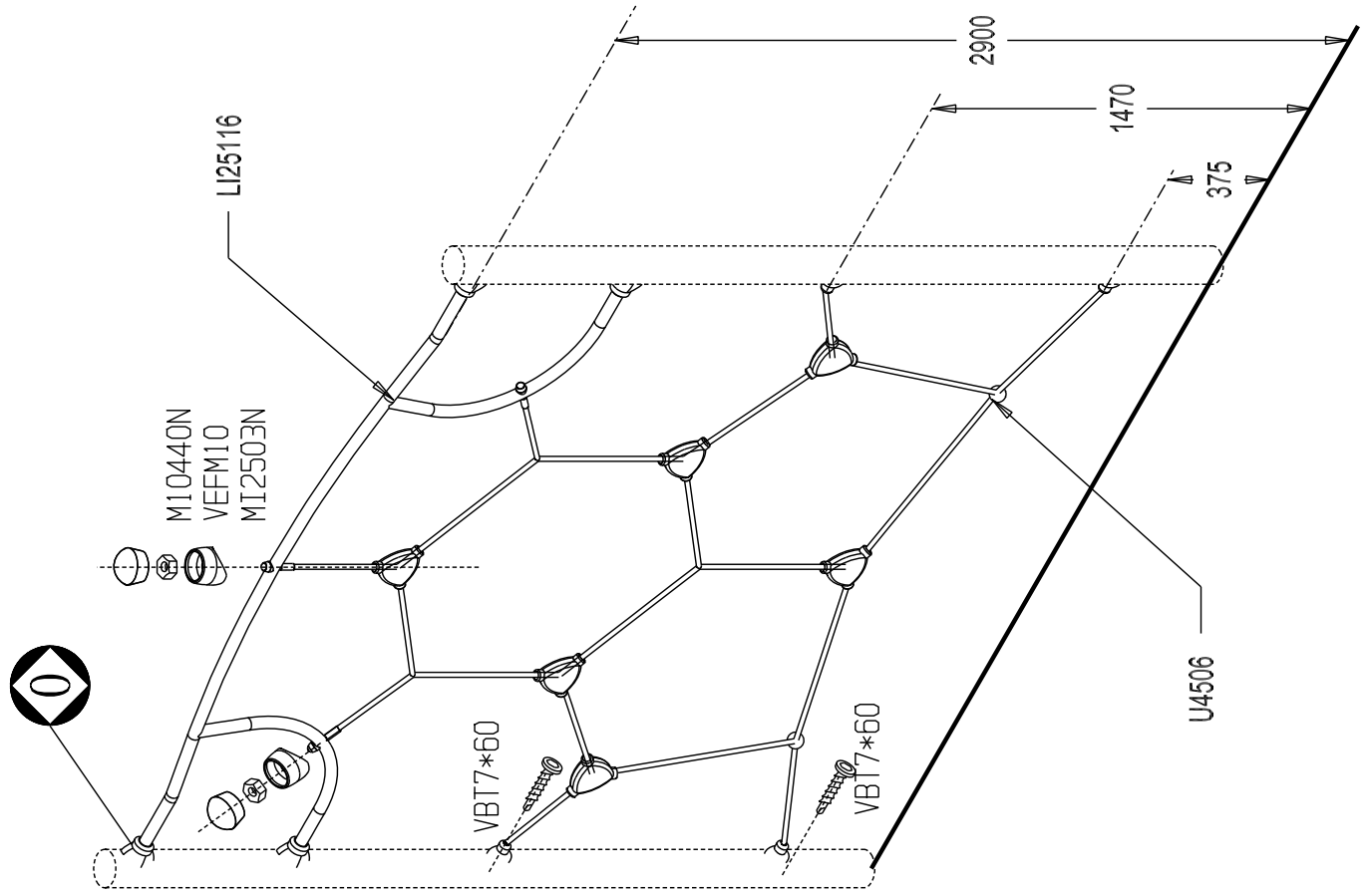


MI2502N x8

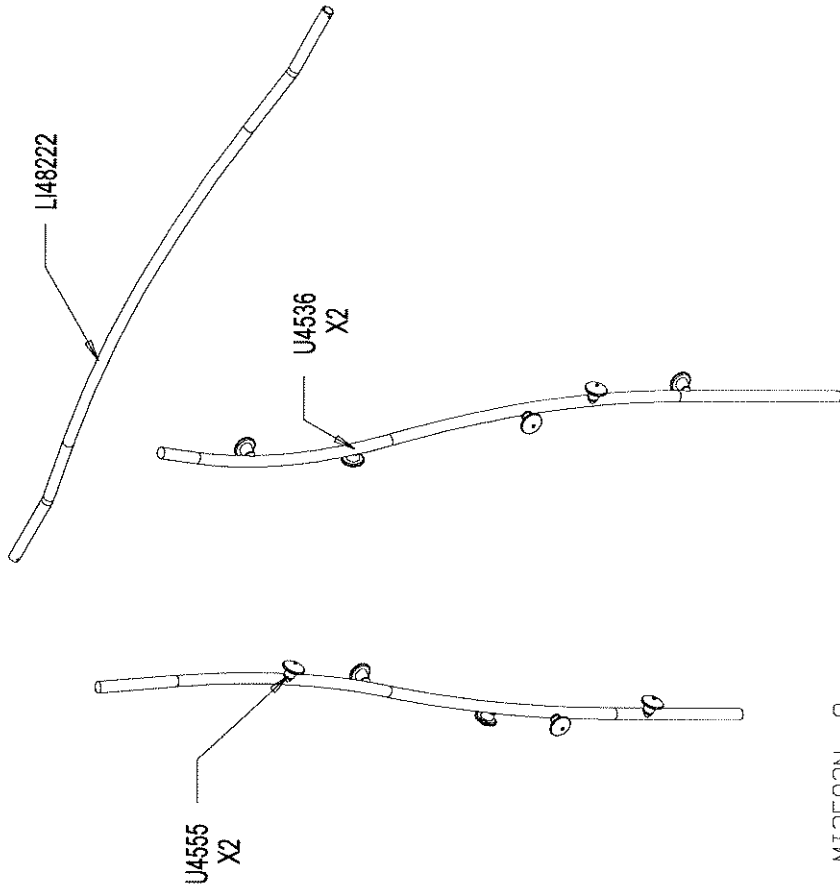
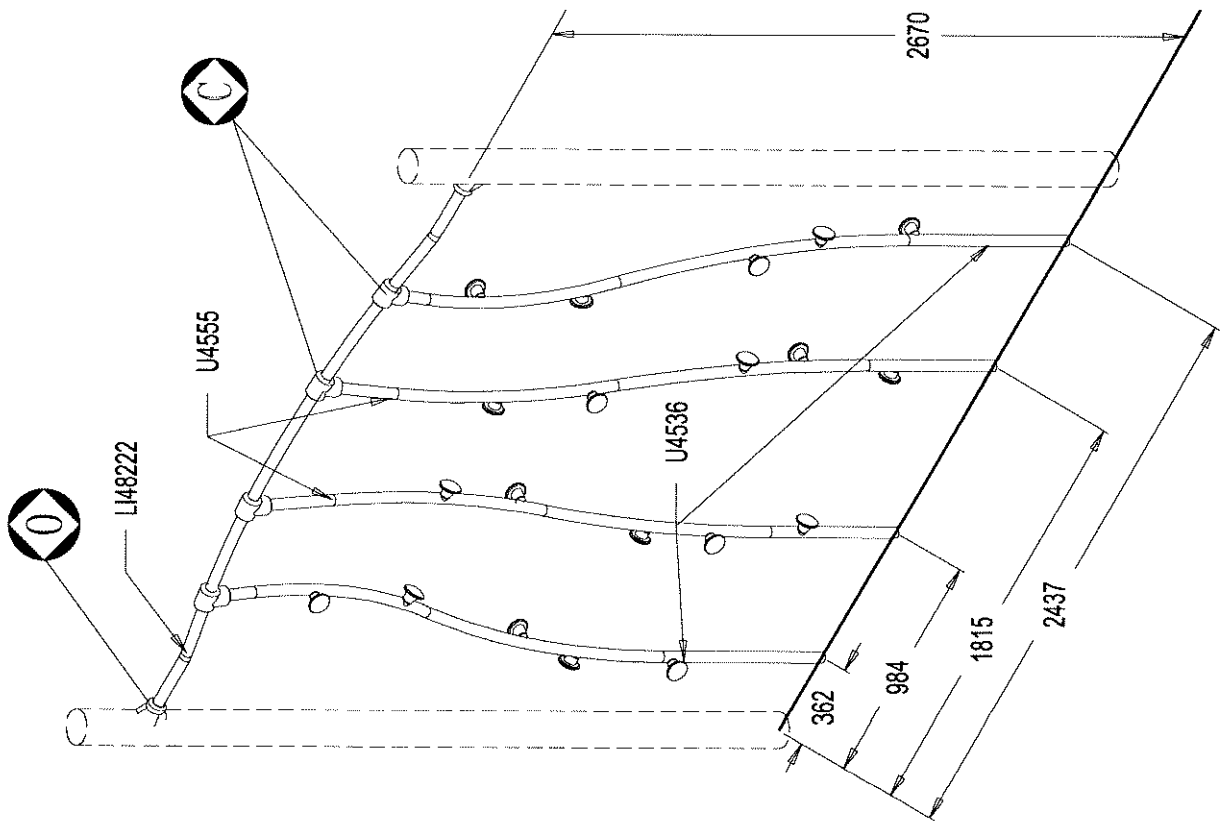


	VCZX 6x25	16
	VEBM6	16
	VB7*60	32

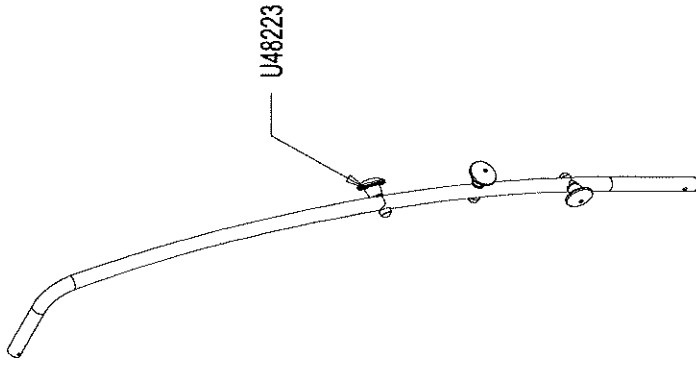
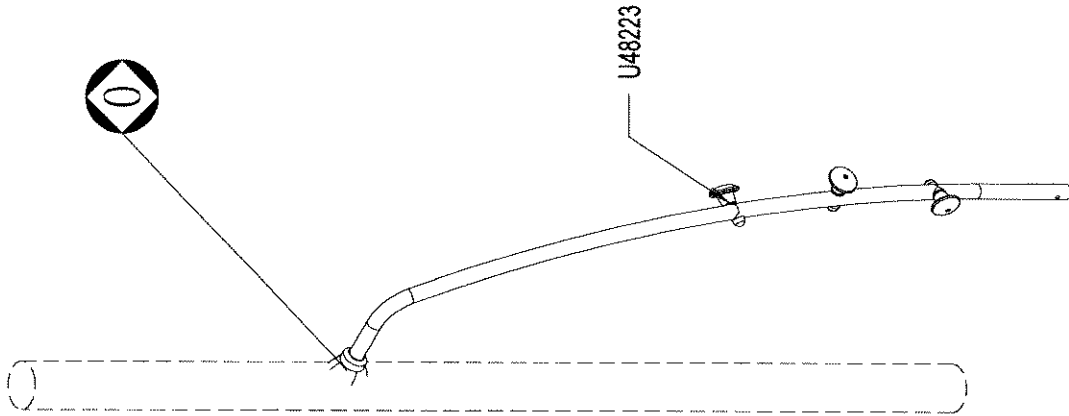




	VGC8*55I	4
	MI3701N	4
	M10440N	3
	VEFM10	3
	MI2503N	3
	VBT 7x60	32



	VGC8*55I	2
	MI3701N	2
	VCZX 6x25	16
	VEBM6	16
	VBT7x60	8



	VGC8*55I	1
	VBT 7x60	4
	MI370IN	1