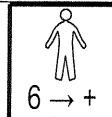


# J48100A



*Proludic*

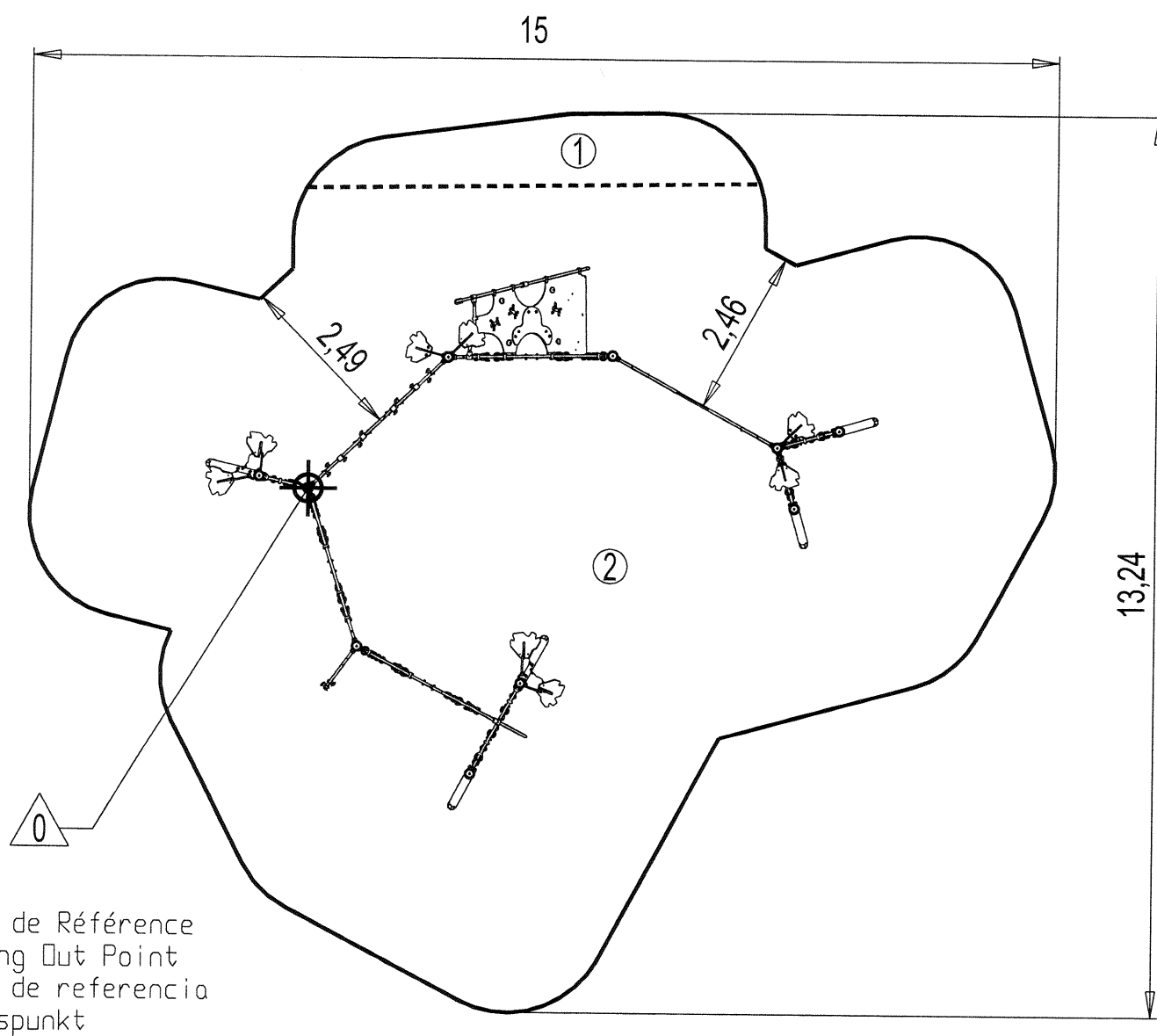
N°		
①	2.6 m	5.5 m <sup>2</sup>
②	2.9 m	121.5 m <sup>2</sup>

— Zone d'Impact  
Impact Area  
Area de Impacto  
Fallraum

- - Espace libre  
Free Space  
Espacio Libre  
Freiraum

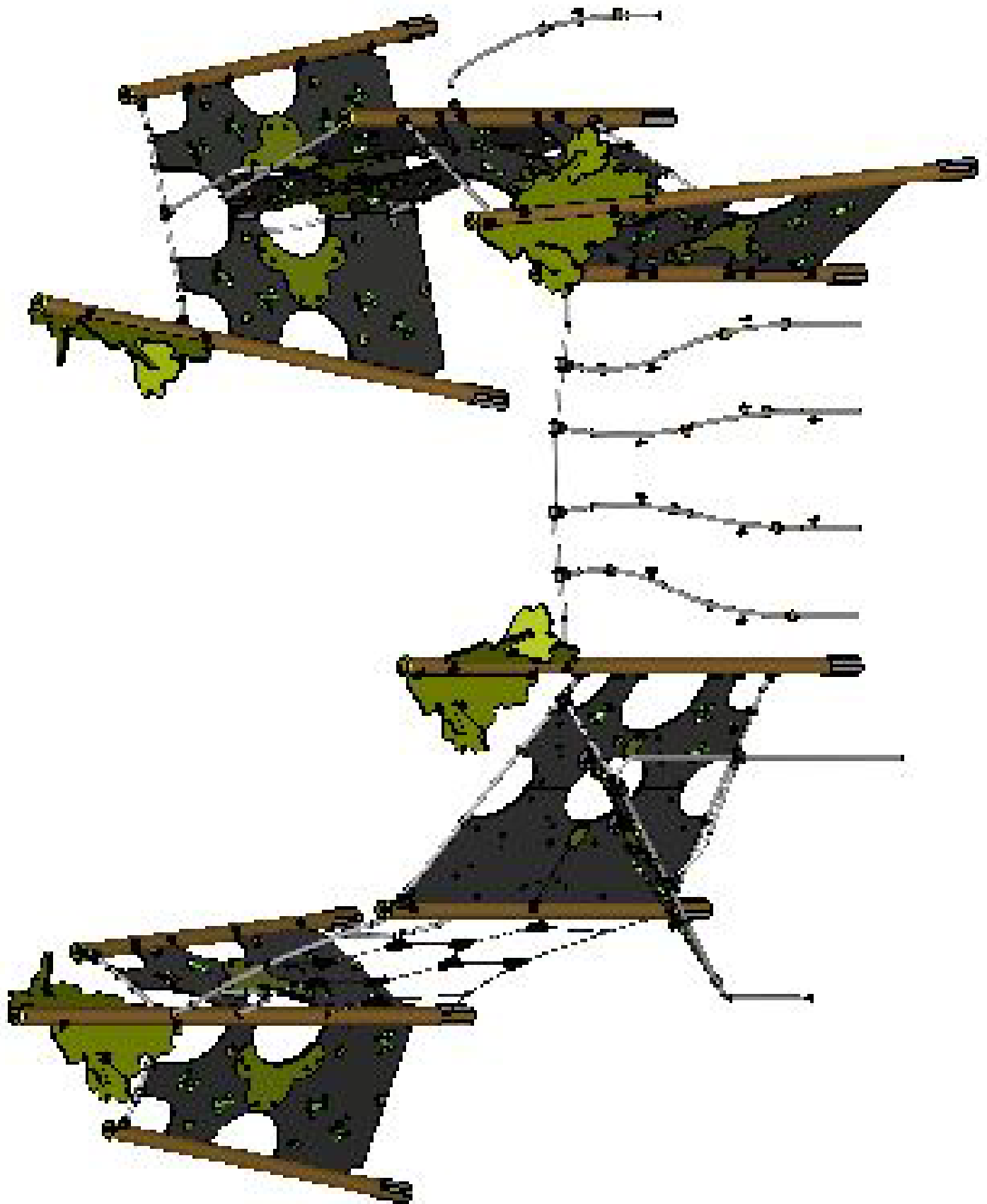
EN1176 - 1 : 2017

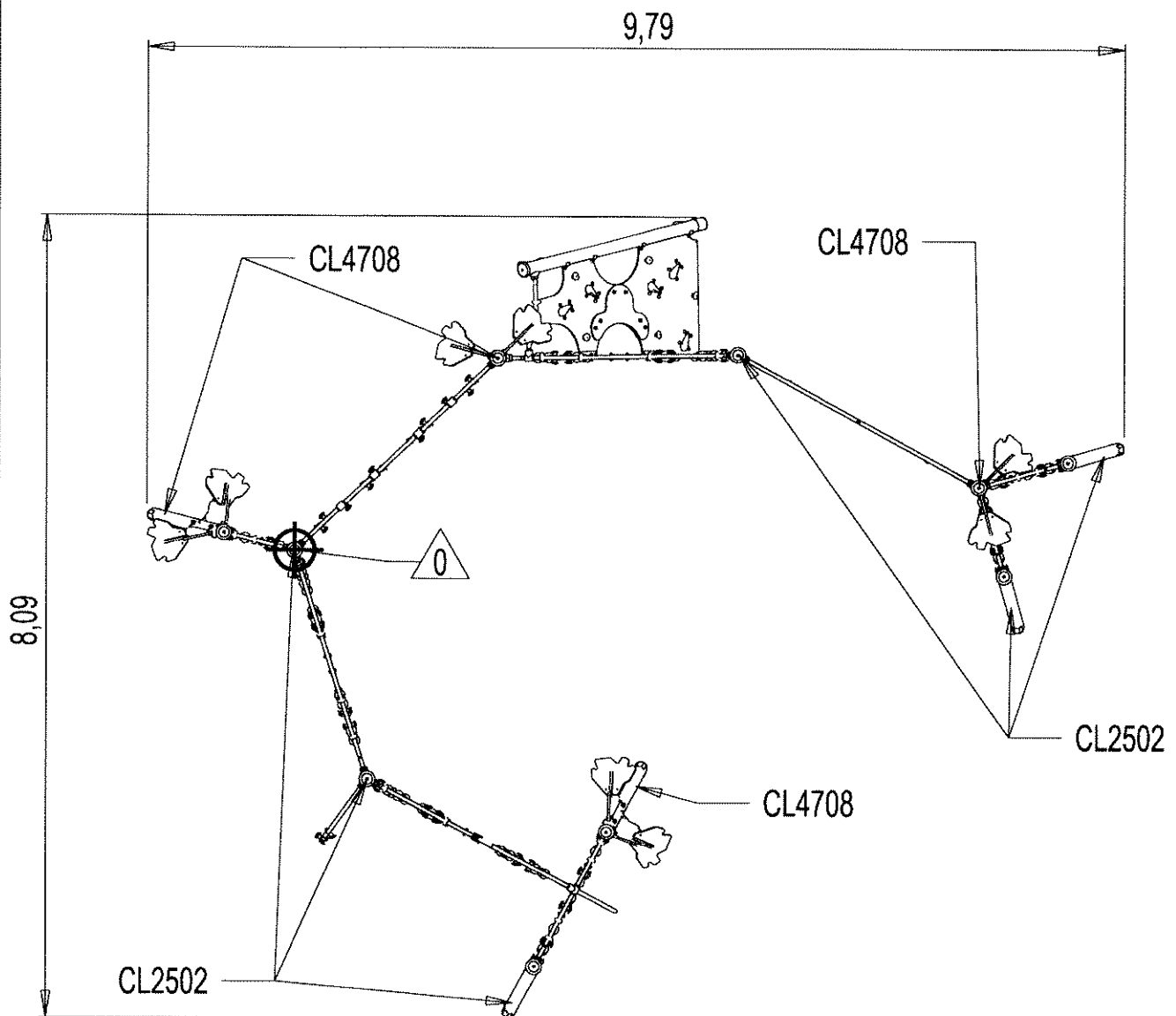
EN1176 - 11 : 2014



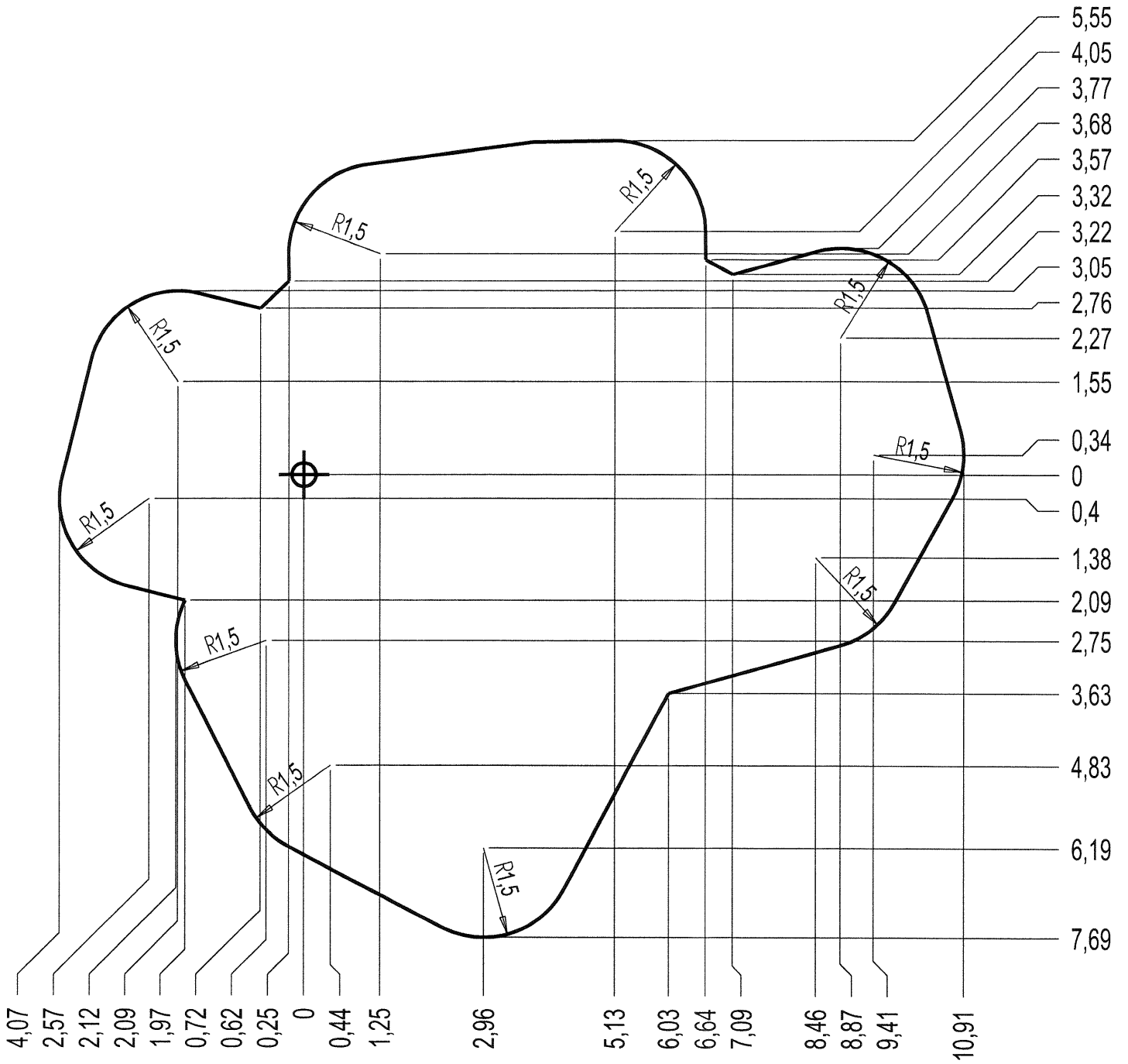
Point de Référence  
Setting Out Point  
Punto de referencia  
Bezugspunkt



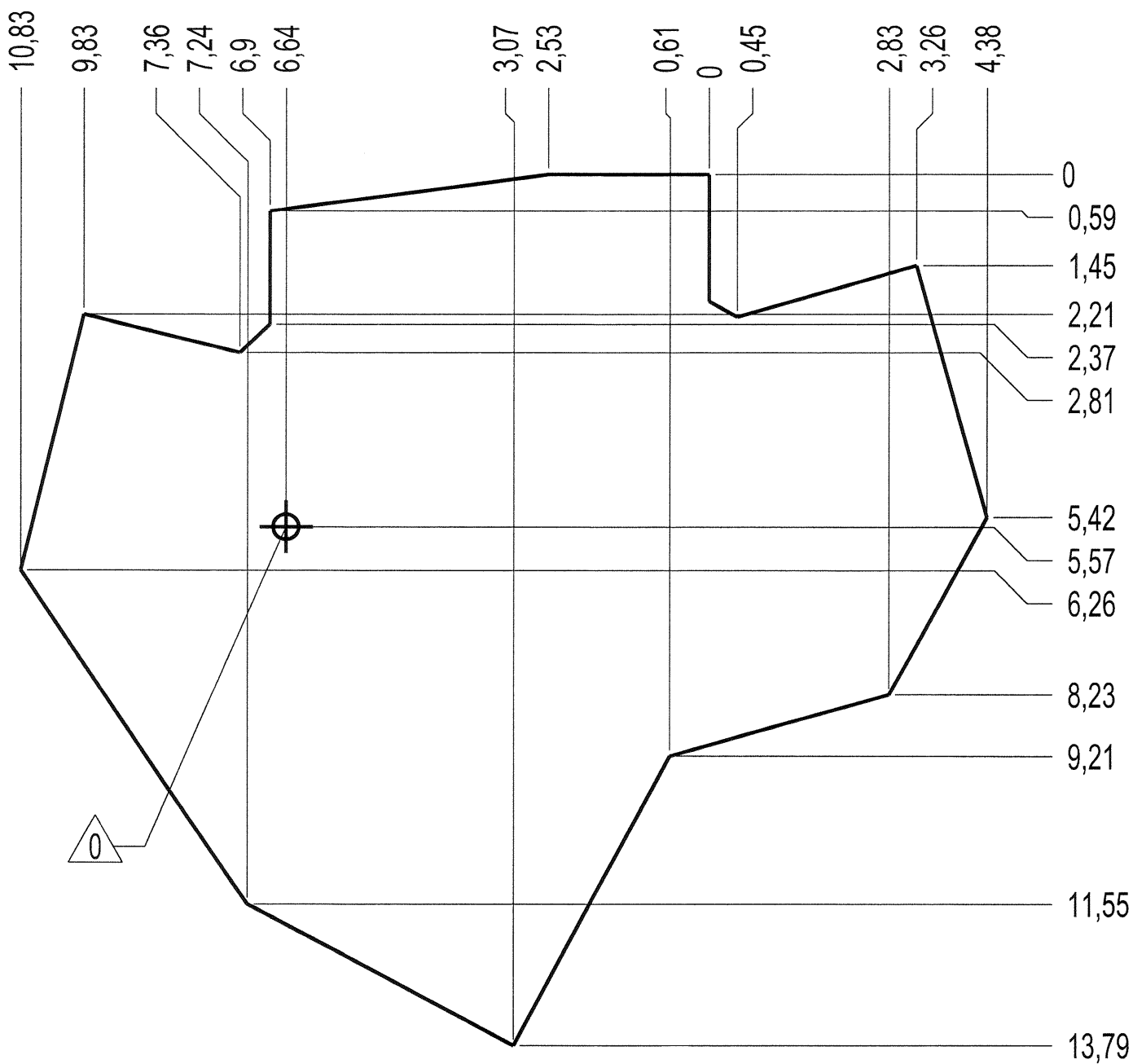




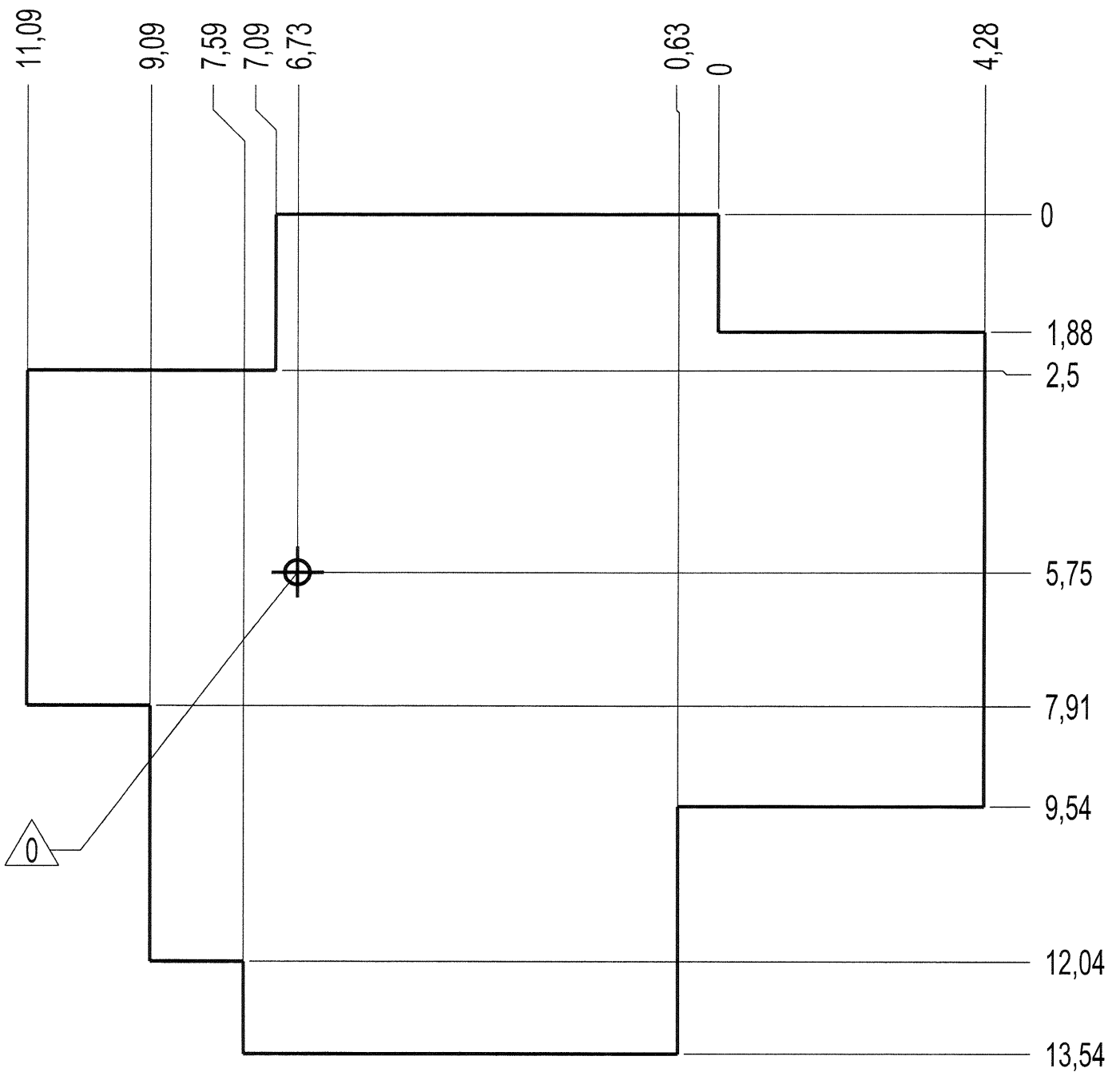
— Zone d' Impact 127 m<sup>2</sup>  
 Impact Area  
 Area de Impacto  
 Fallraum



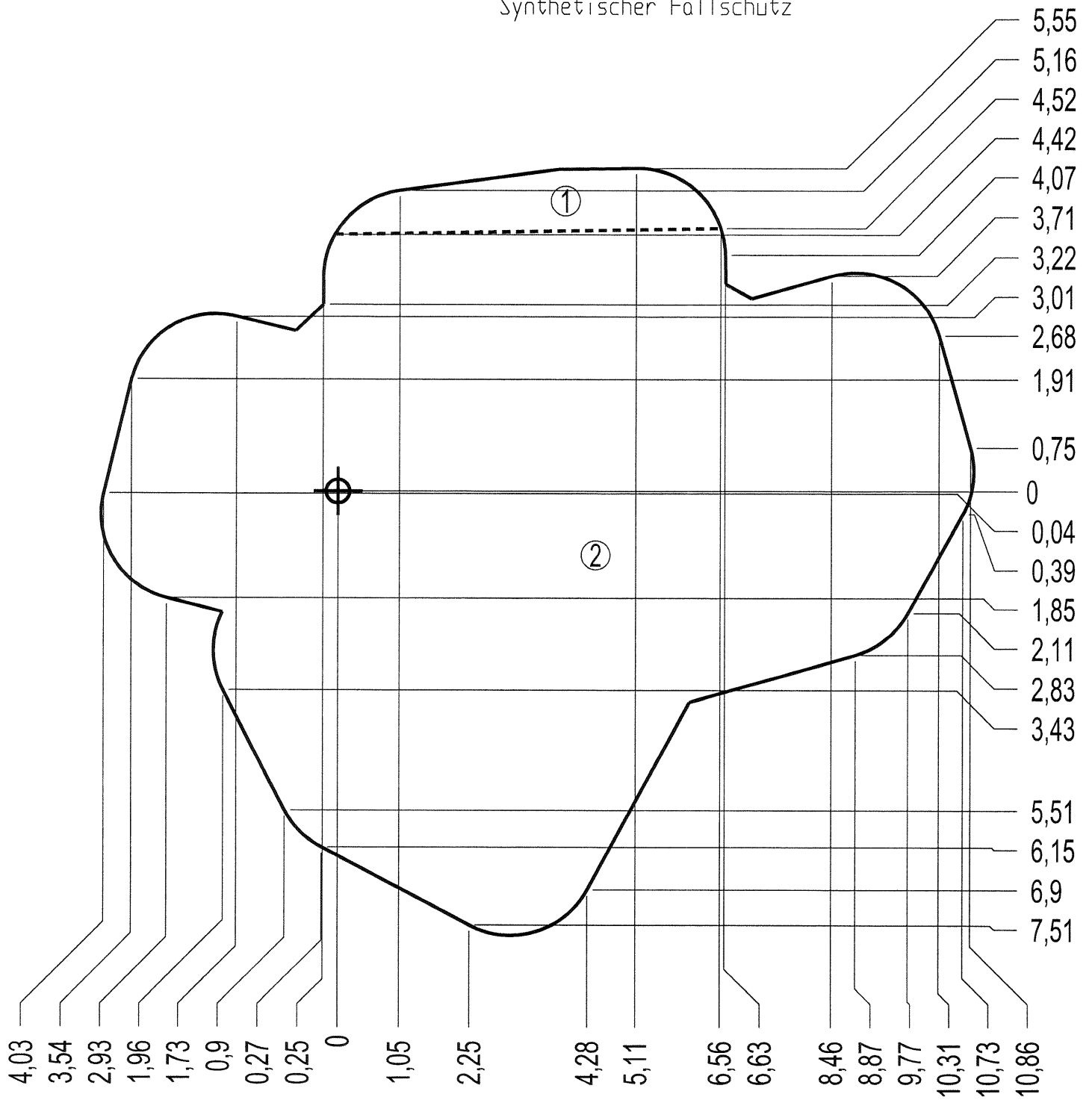
— Dalle béton 49 m  
 Concrete pad 131 m<sup>2</sup>  
 Solera de Hornigón  
 Beton Bodenplatte



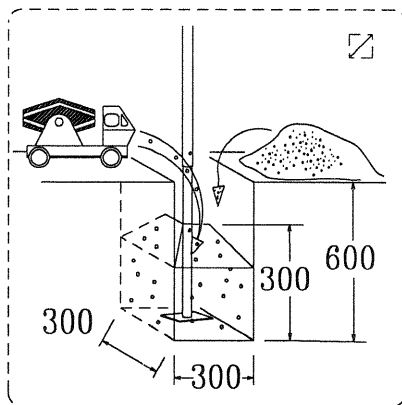
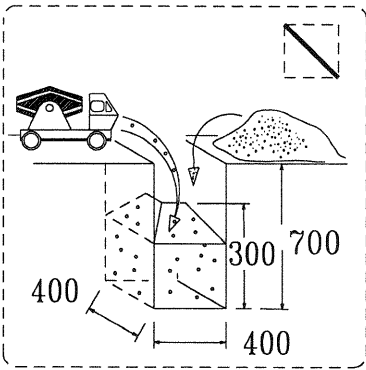
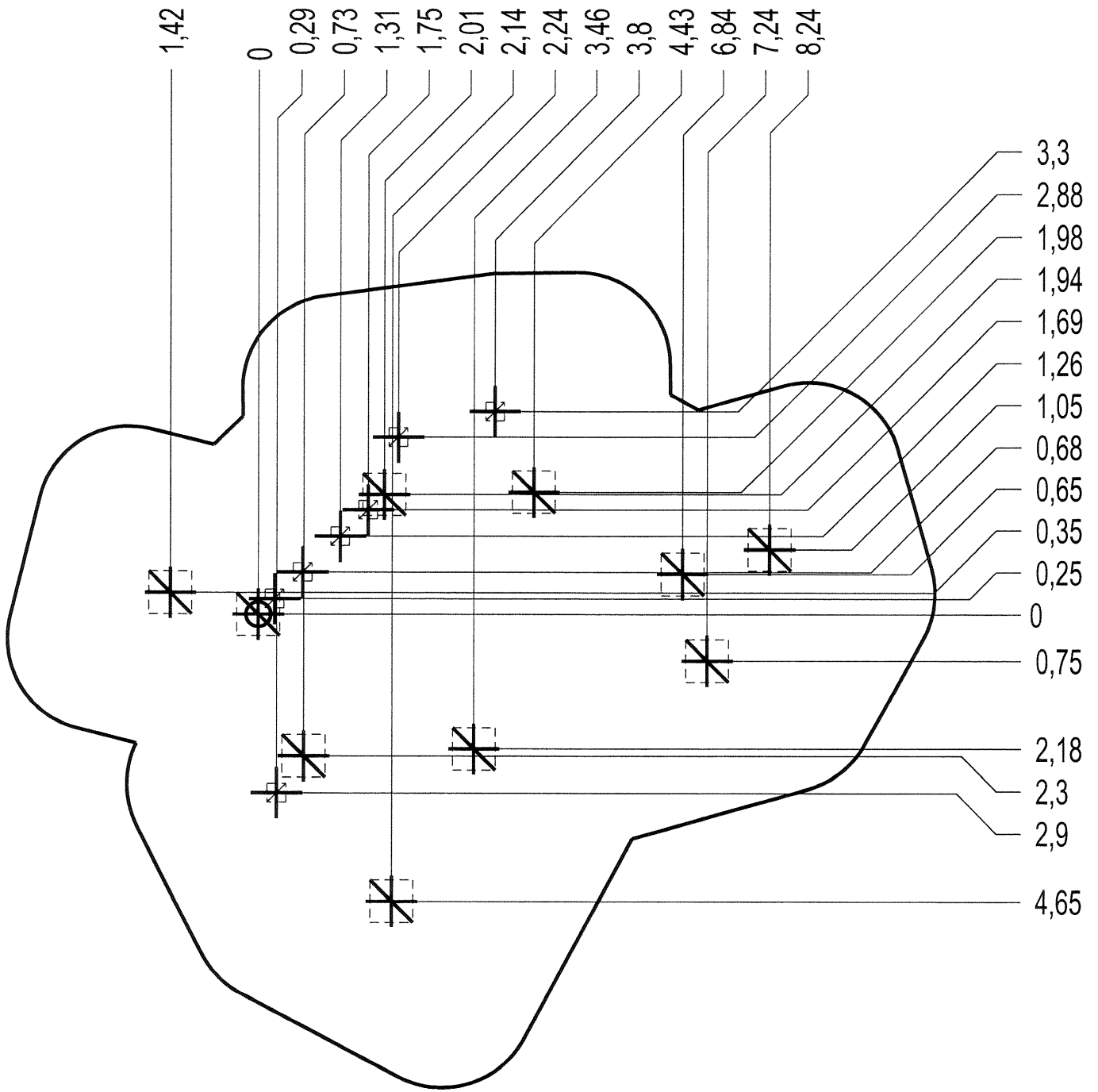
— Sol fluent 58 m  
 Loose particle material 157 m<sup>2</sup>  
 Arenero  
 Loses Bodenmaterial






— Sol souple 127 m<sup>2</sup>  
 Wetpour  
 Caucho Continuo  
 Synthetischer Fallschutz

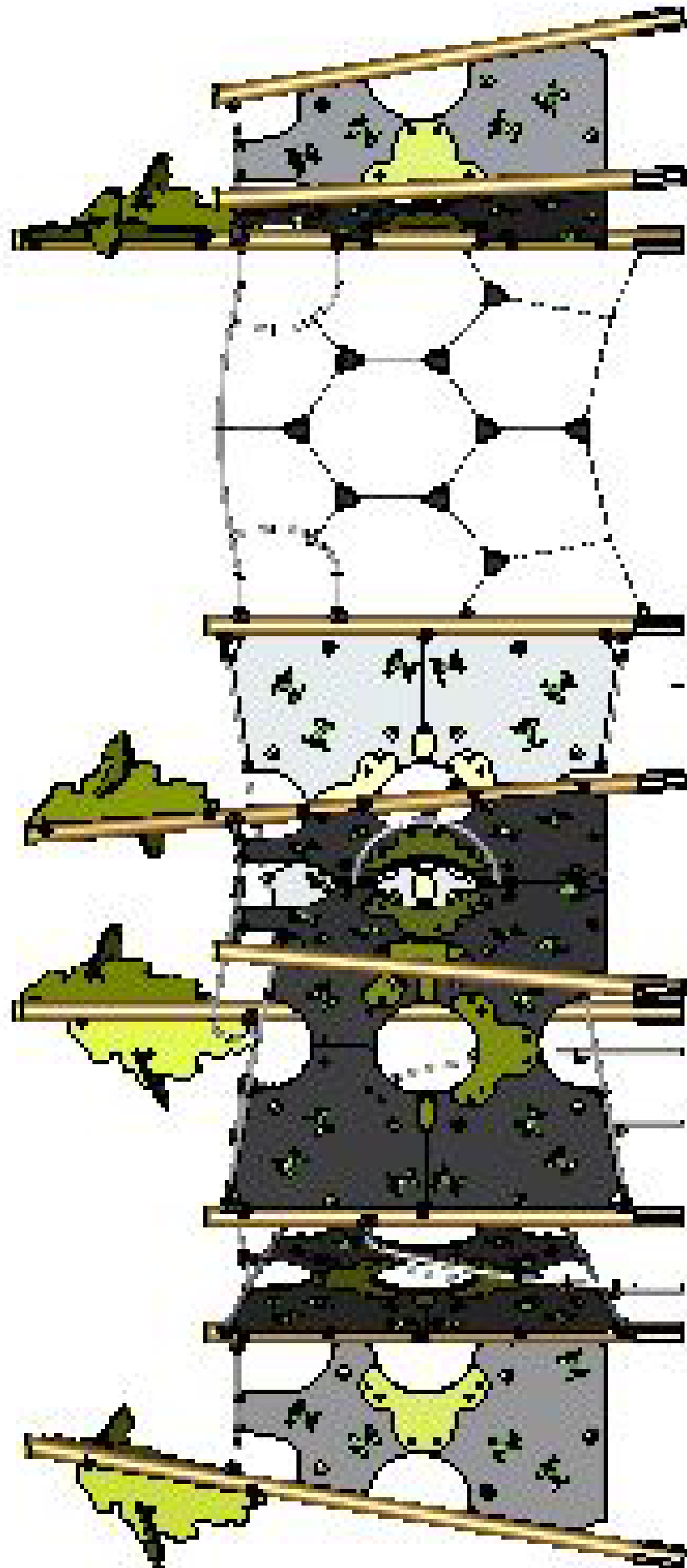


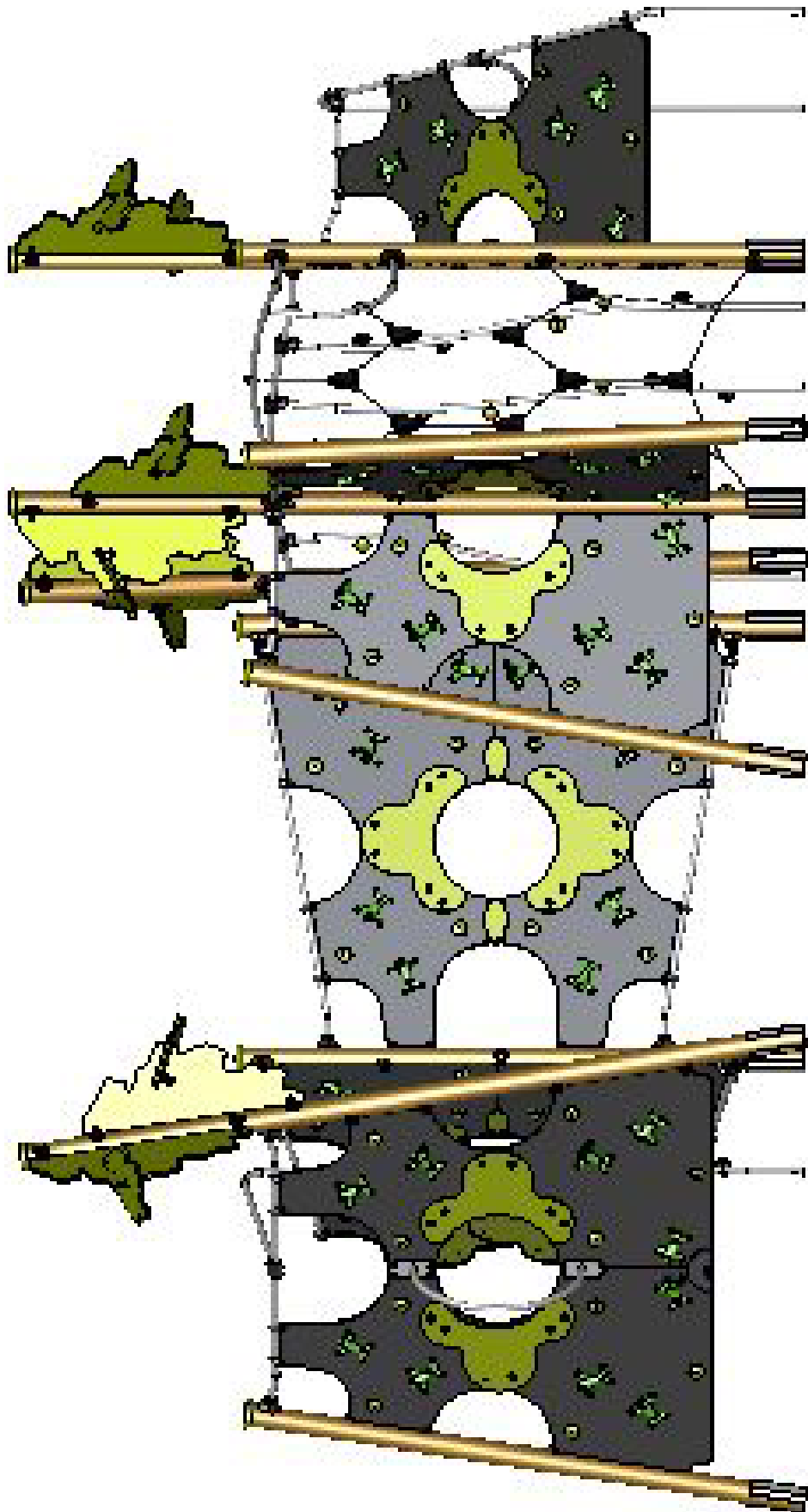


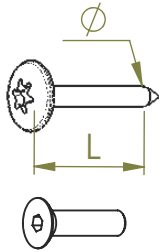


 x4	 15H	 0.7m <sup>3</sup>
---	---	---

Implantation  
 Footing plan  
 Implantación  
 Fundamentplan

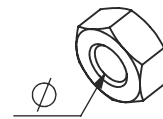




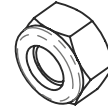


VBT 6 x 30  
 $\phi$   $\uparrow$  L (mm)

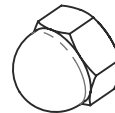
VFHC



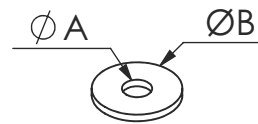
VEC M10  
 $\phi$



VEF



VEB



VR6x18  
 $\phi A$   $\phi B$

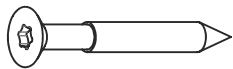
VTHA

**< 14 N.m**

Couple de rupture  
Breakage torque

**1000 - 1800 RPM**

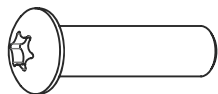
Vitesse de rotation  
Rotation speed



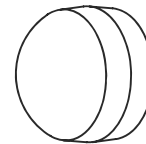
VWT



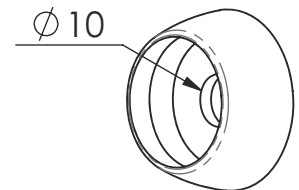
VGC



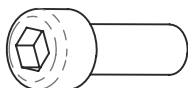
VCBHC



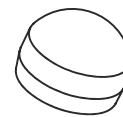
M10 440N



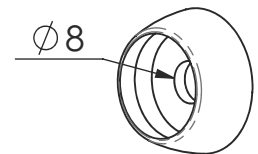
M10 310 N



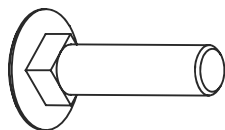
VBTR



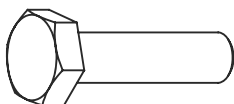
M8440N



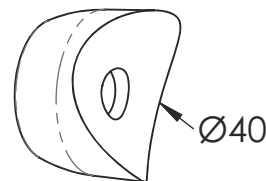
M8310N



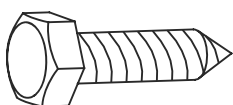
VTRCC



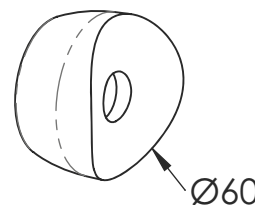
VTH



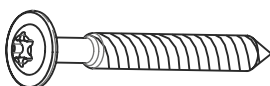
MI2503



VTF



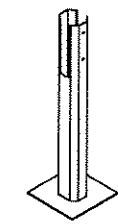
MI2701



VBT

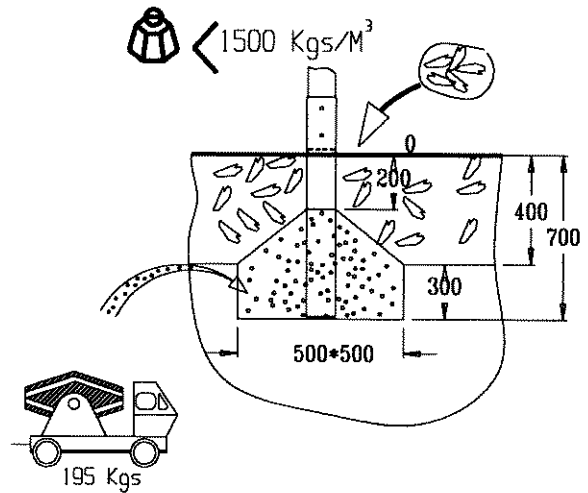
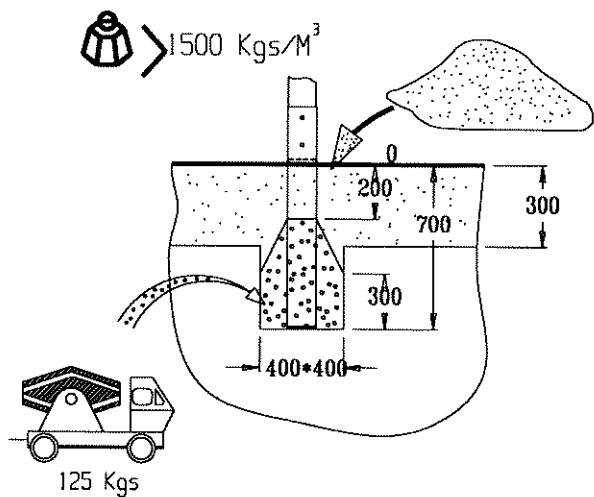
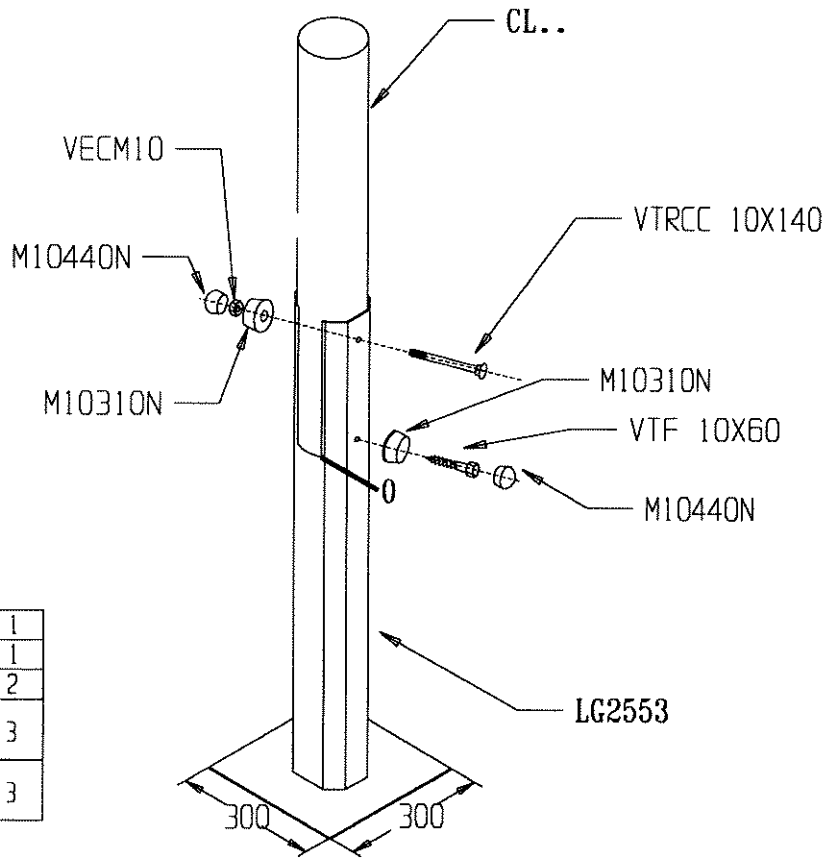
# A

*ProLudic*

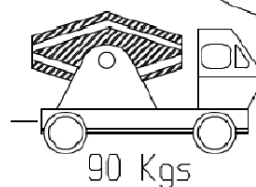
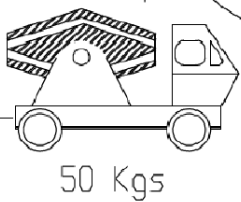
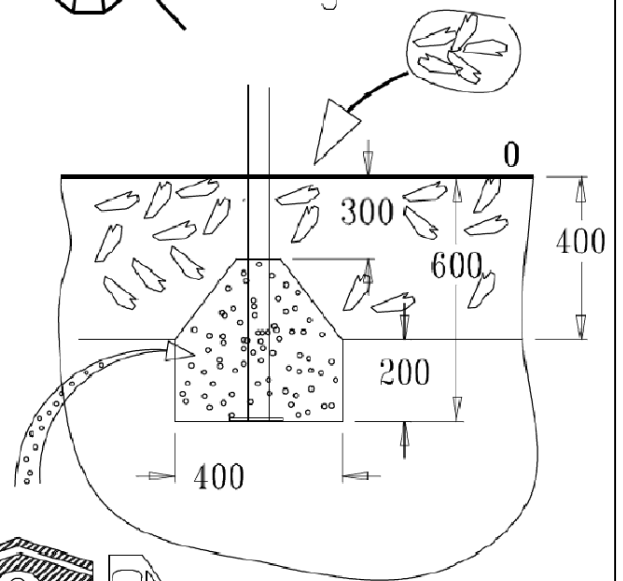
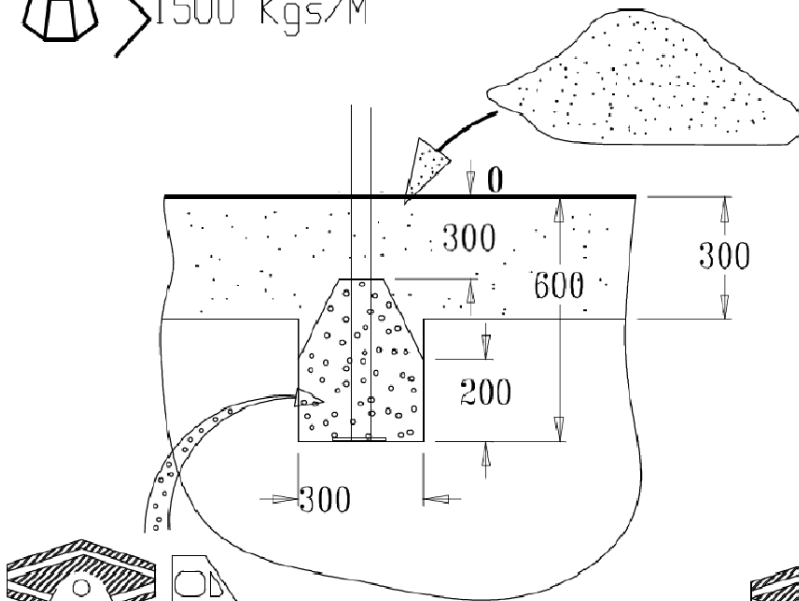
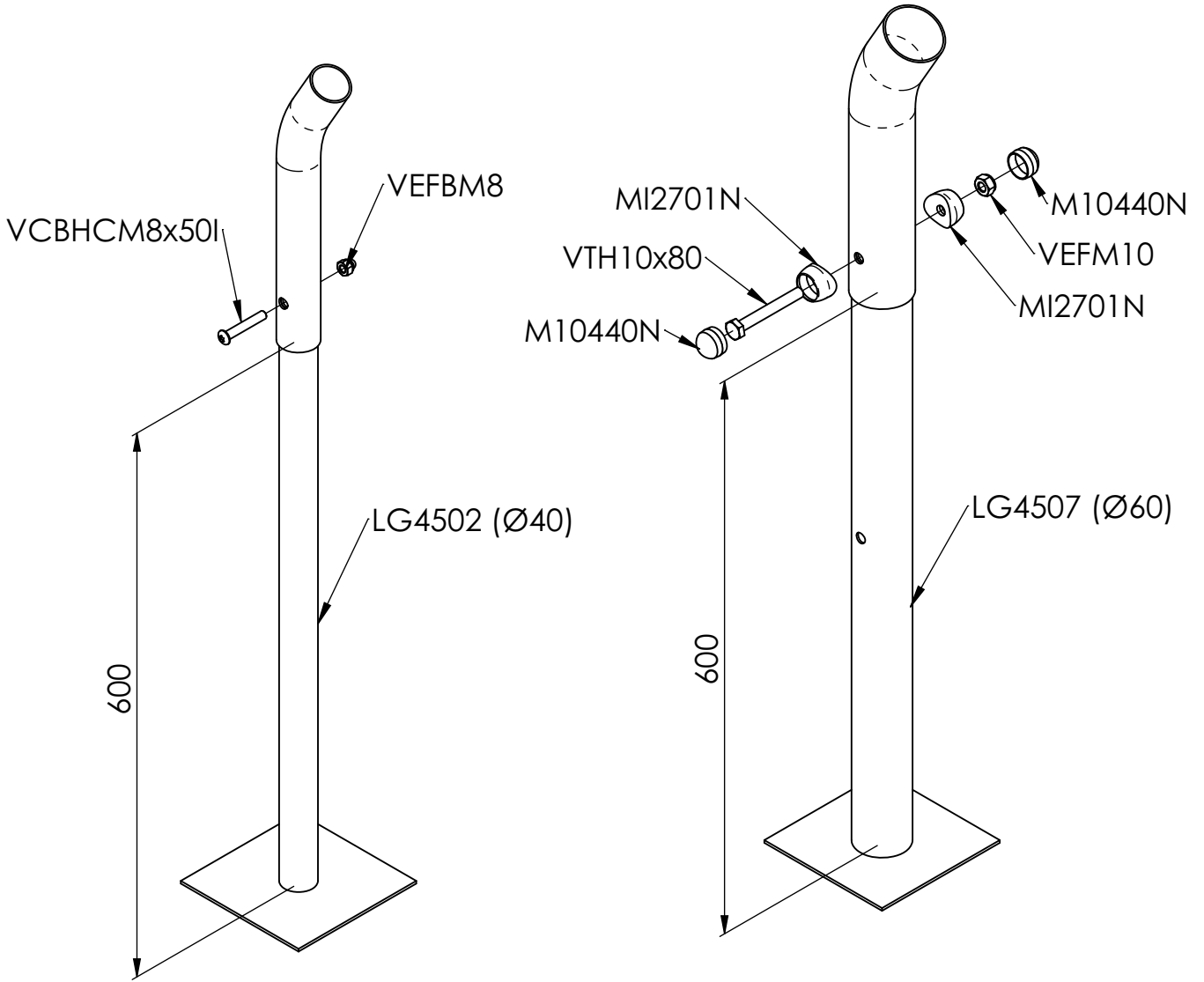


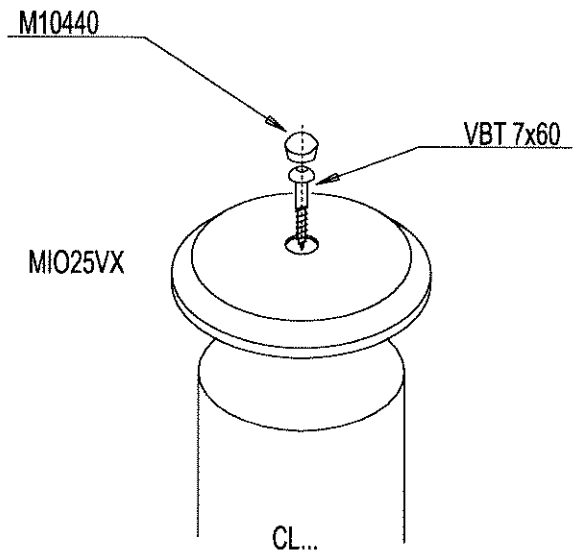
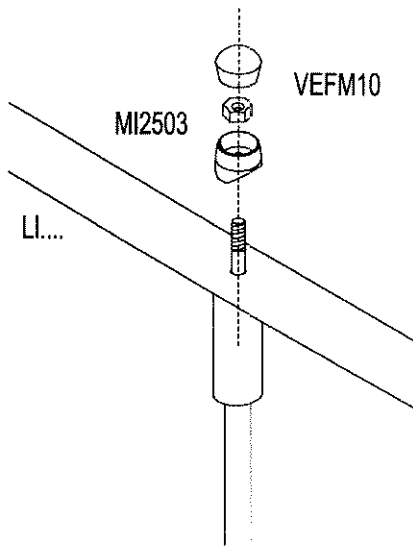
LG2553

	VTRCC 10x140	1
	VECM10	1
	VTF 10x60	2
	M10310N	3
	M10440N	3

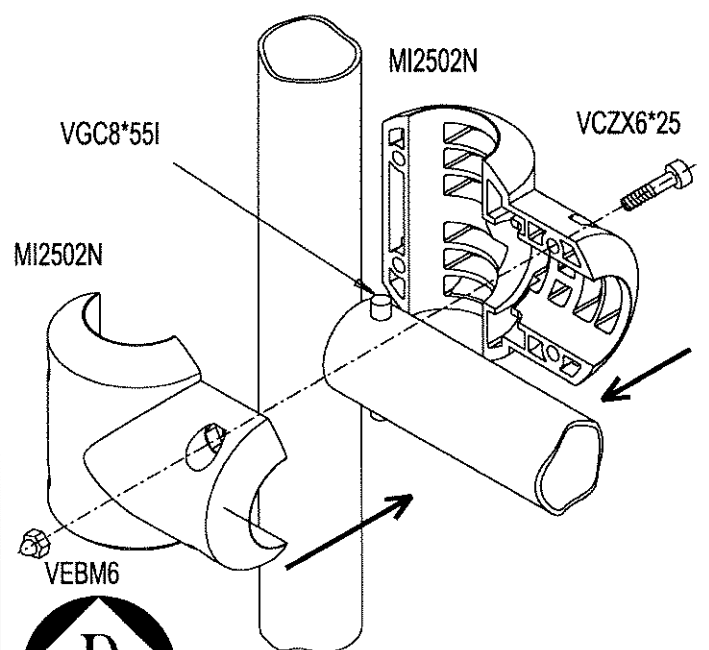
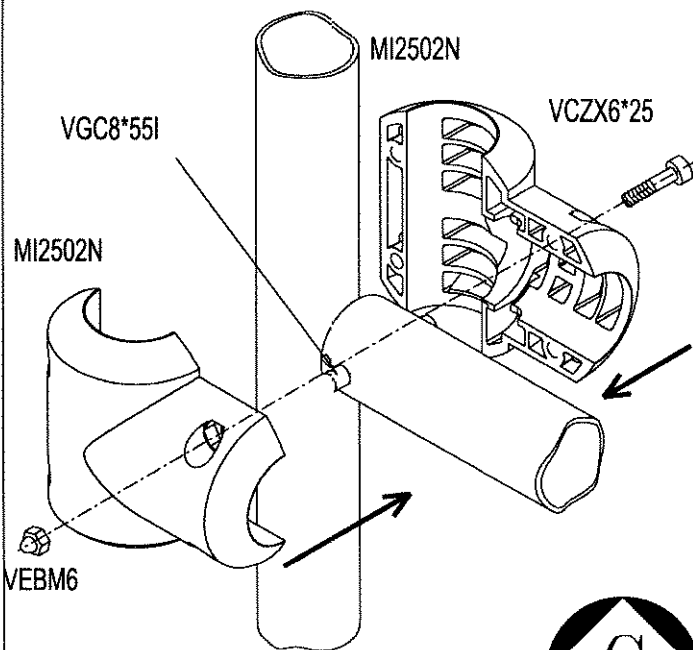


04-05-10

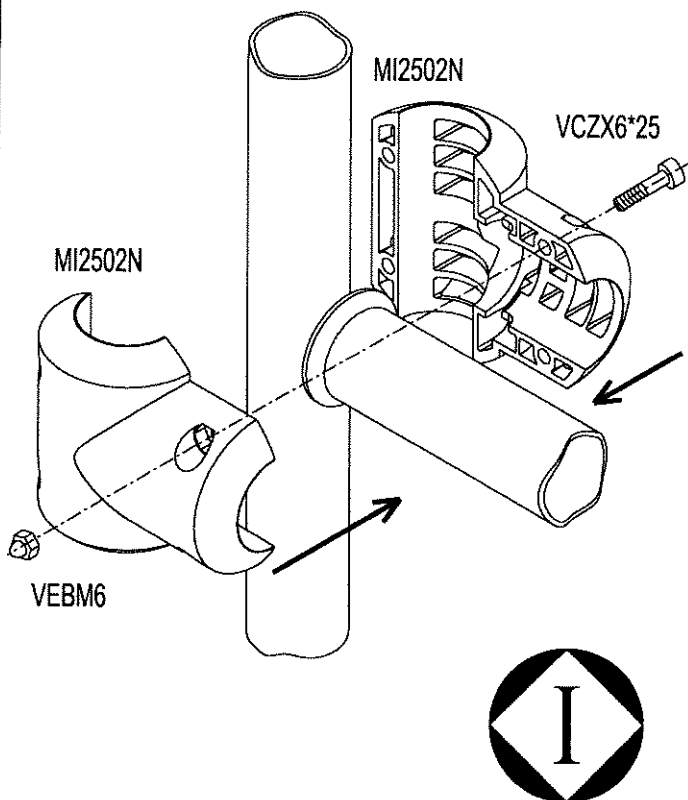




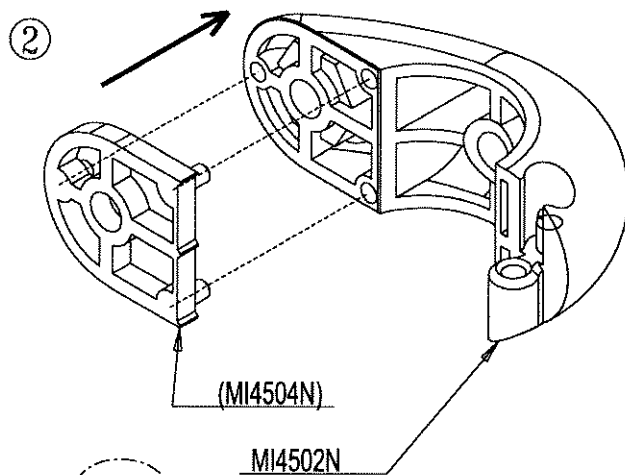
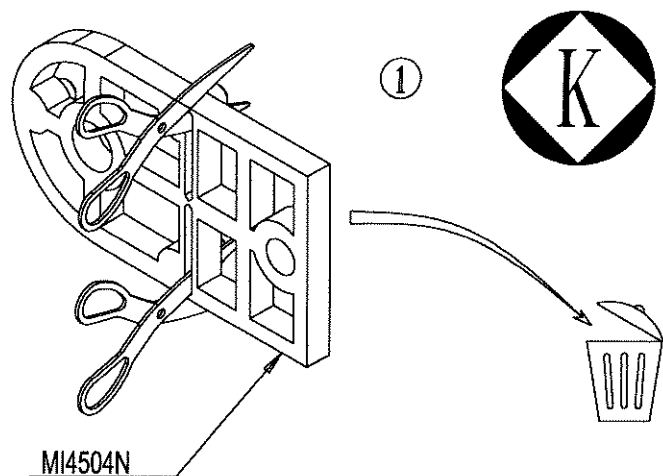
MI2502N + VGC8\*55I



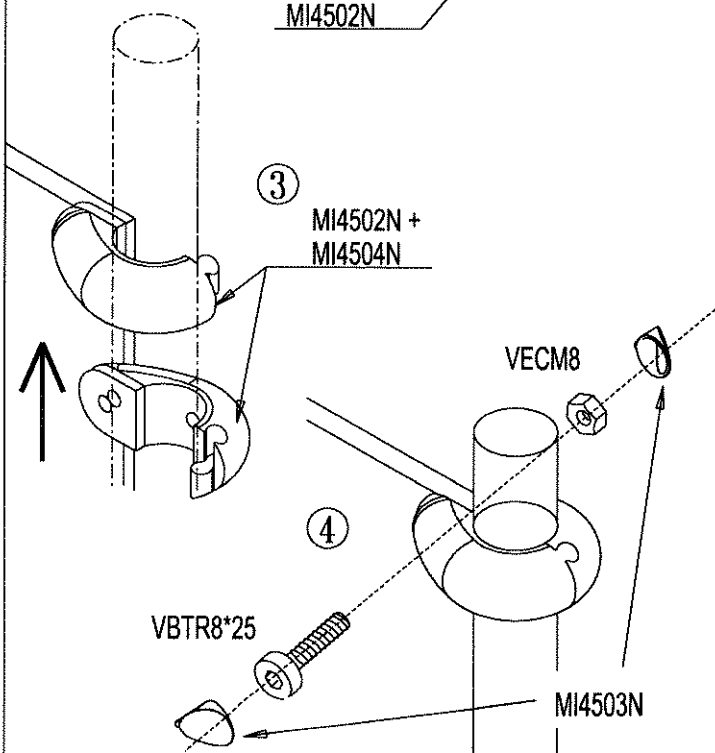
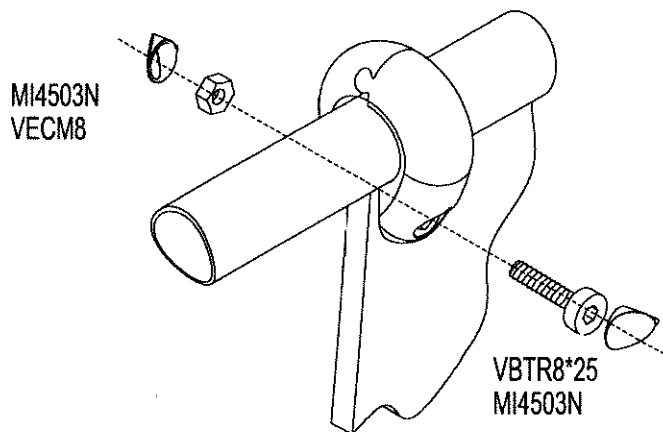
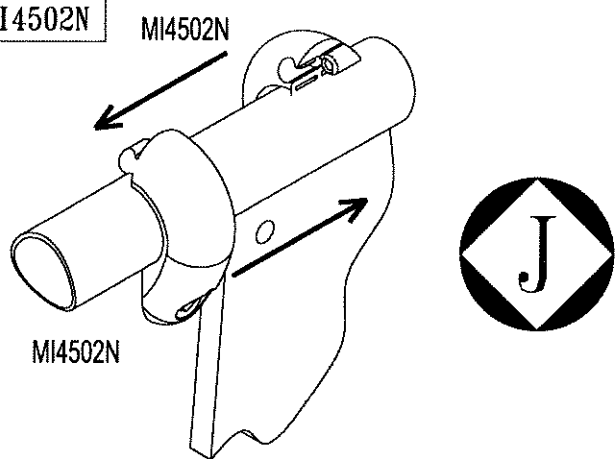
MI2502N



MI4502N + MI4504N



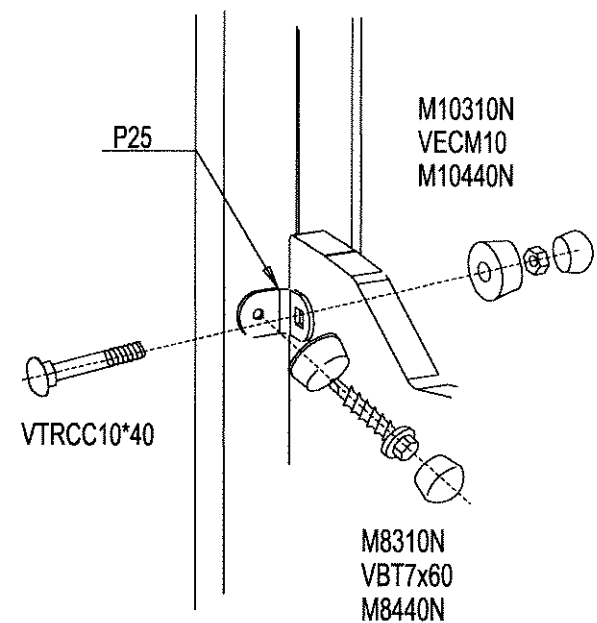
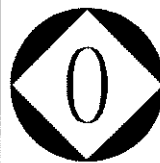
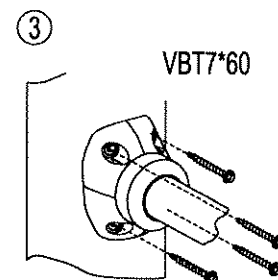
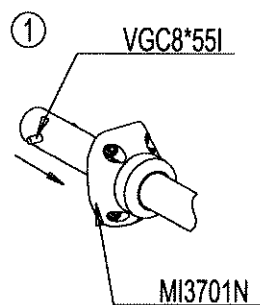
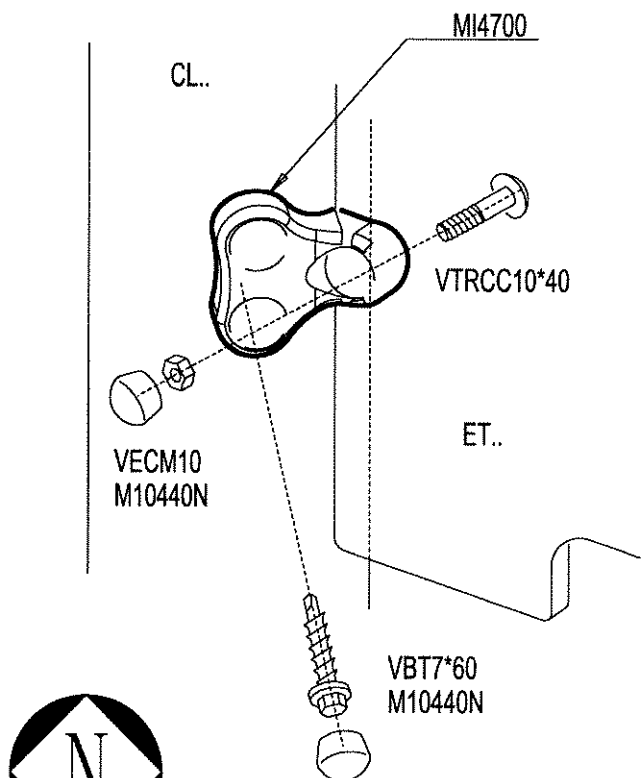
MI4502N



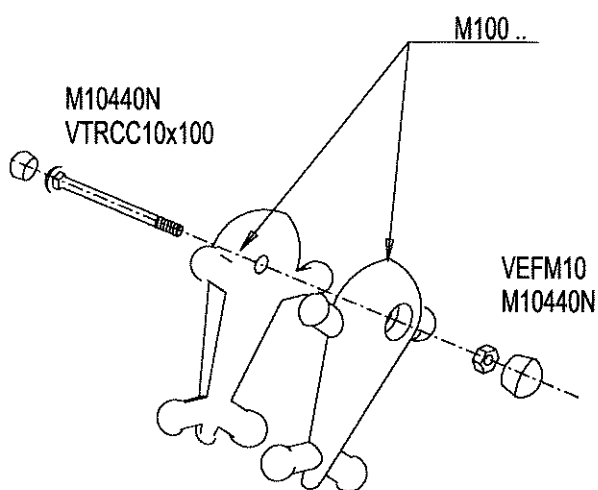


MI4700

MI3701N



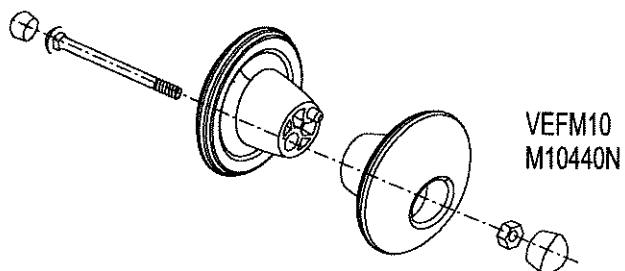
M100..



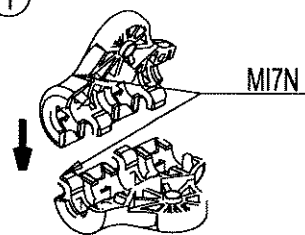
MI4700

MI3701N

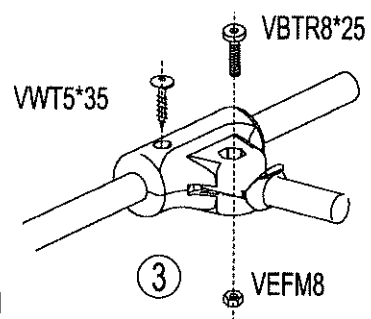
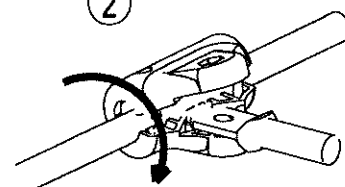
M10440N  
VTRCC10x100

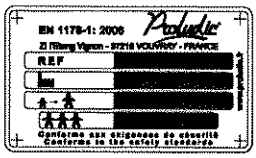


①



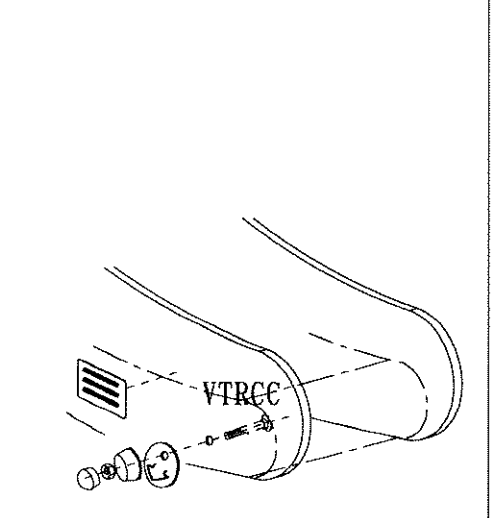
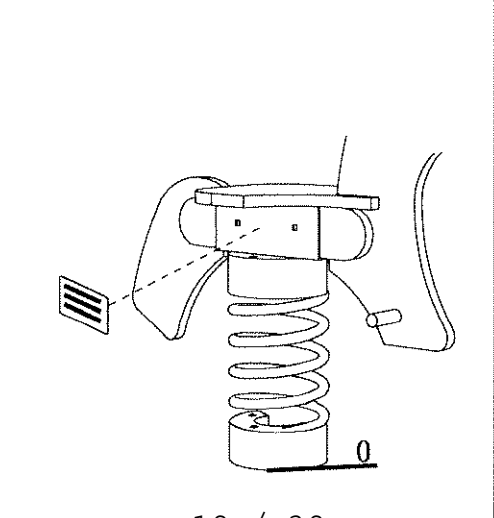
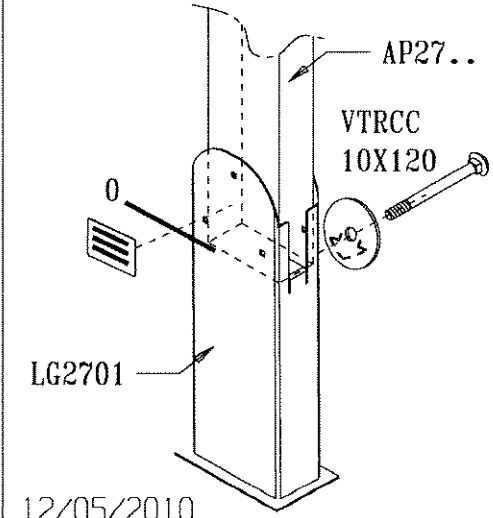
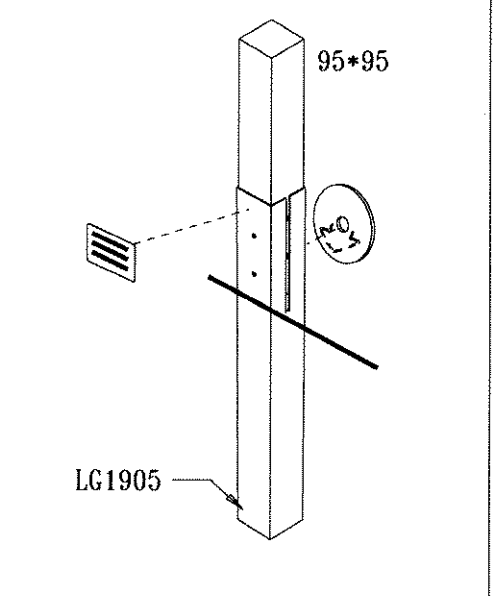
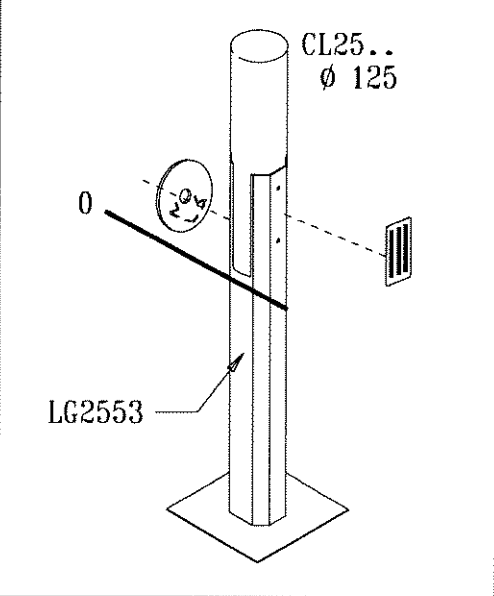
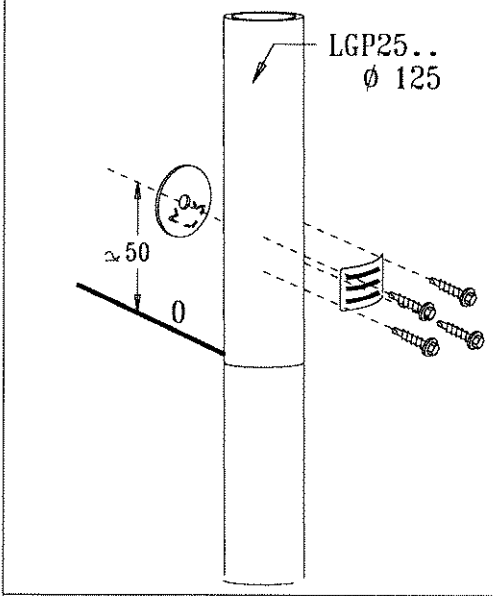
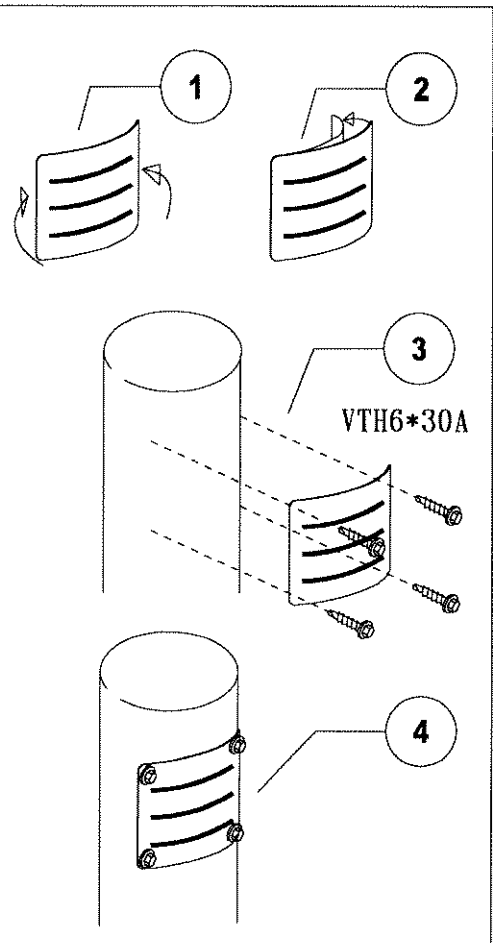
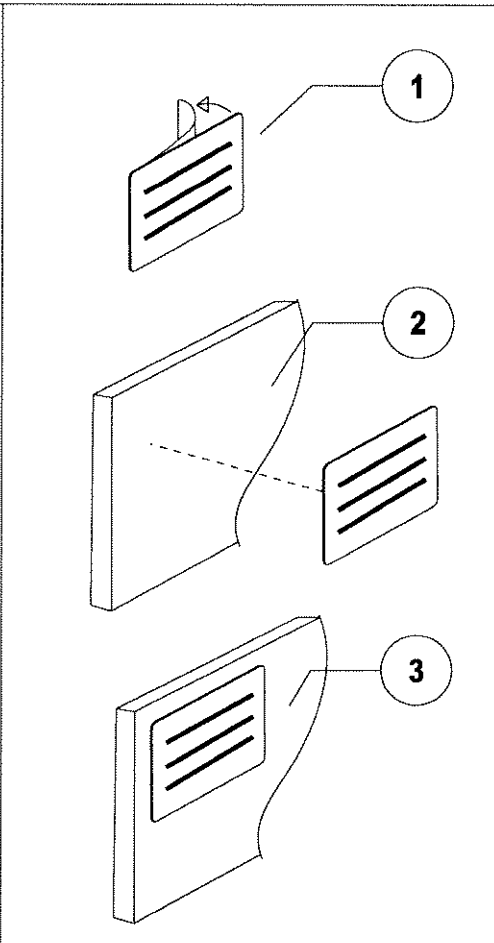
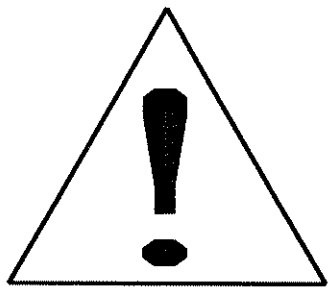
②

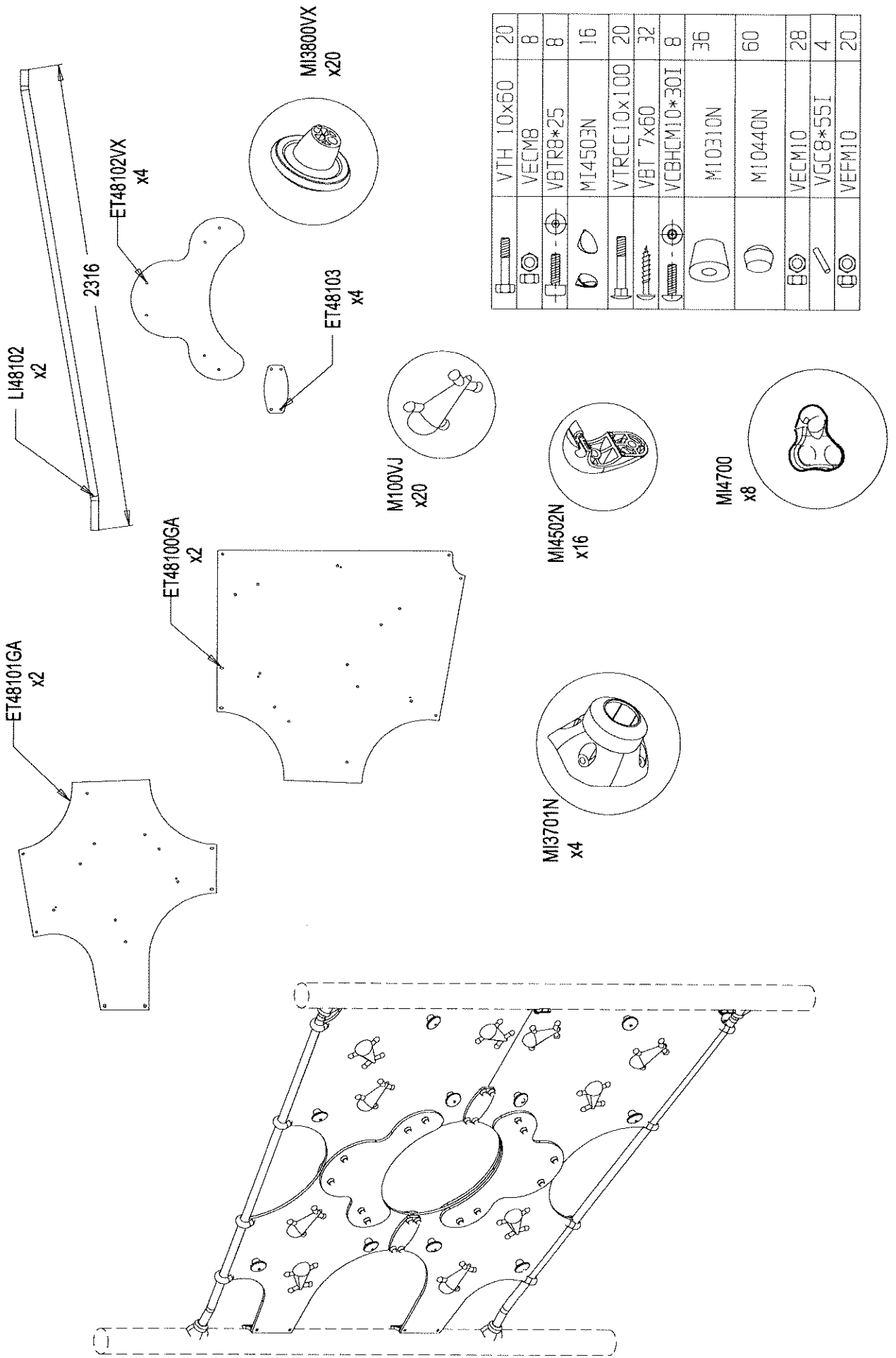




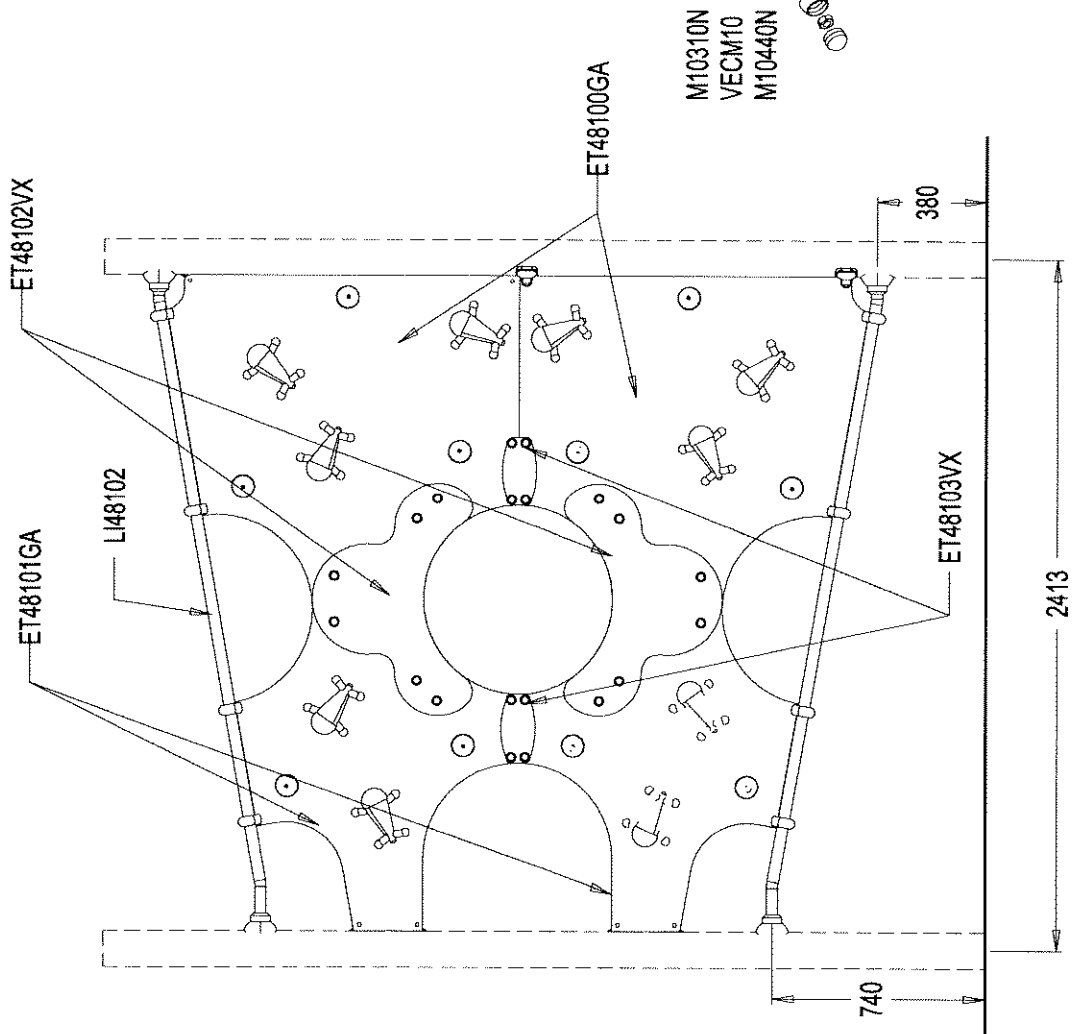
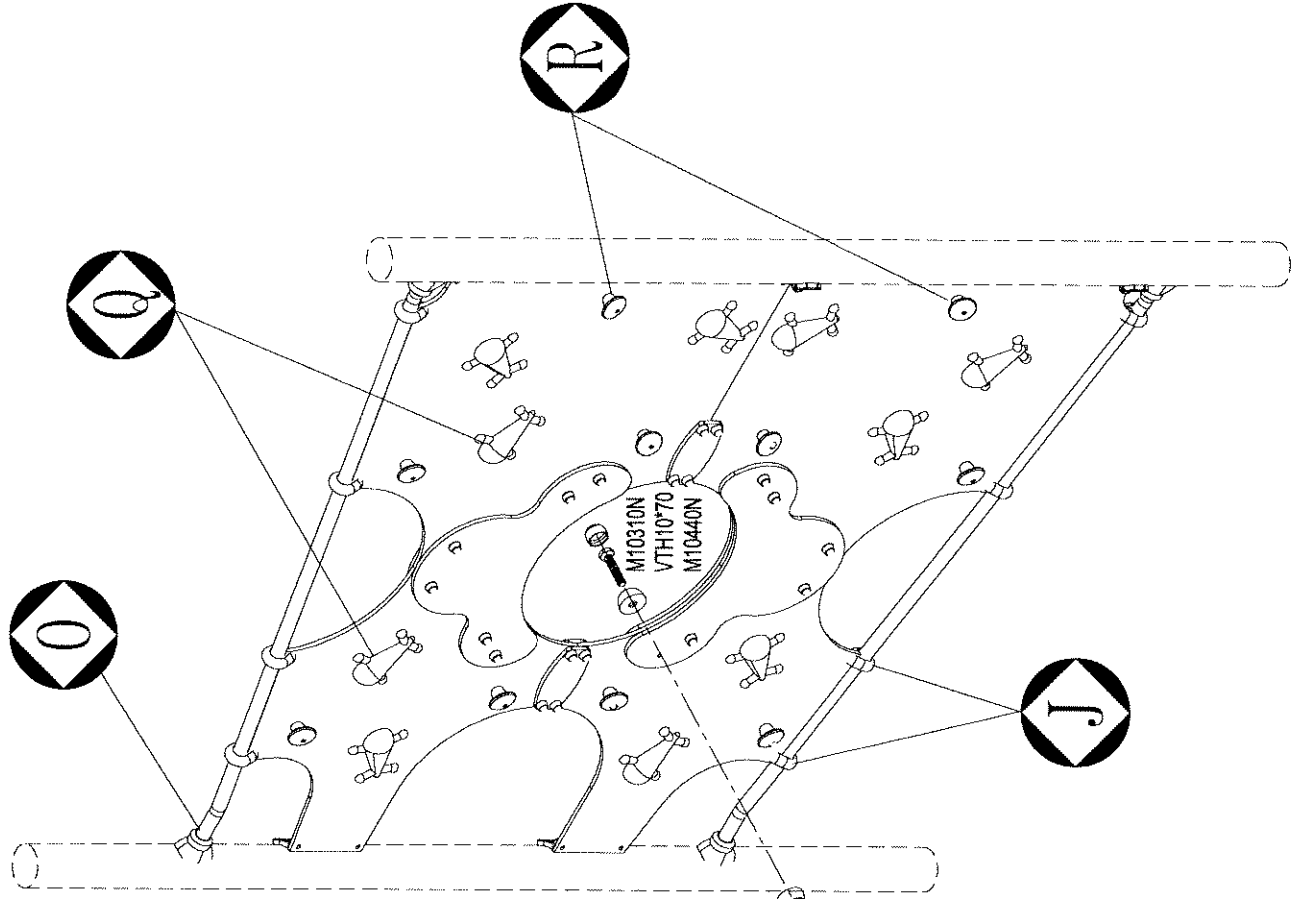
LA000

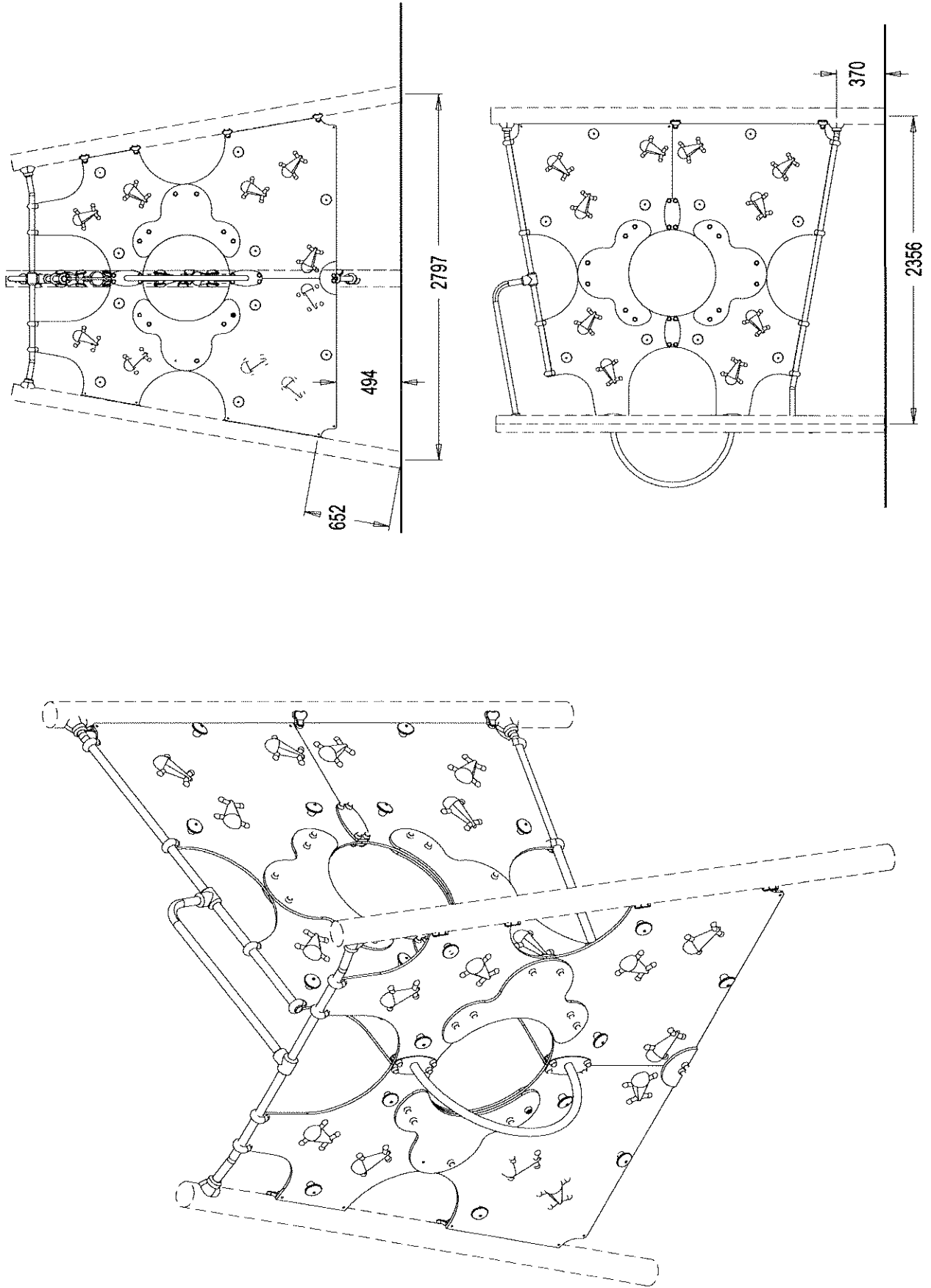
MI0002

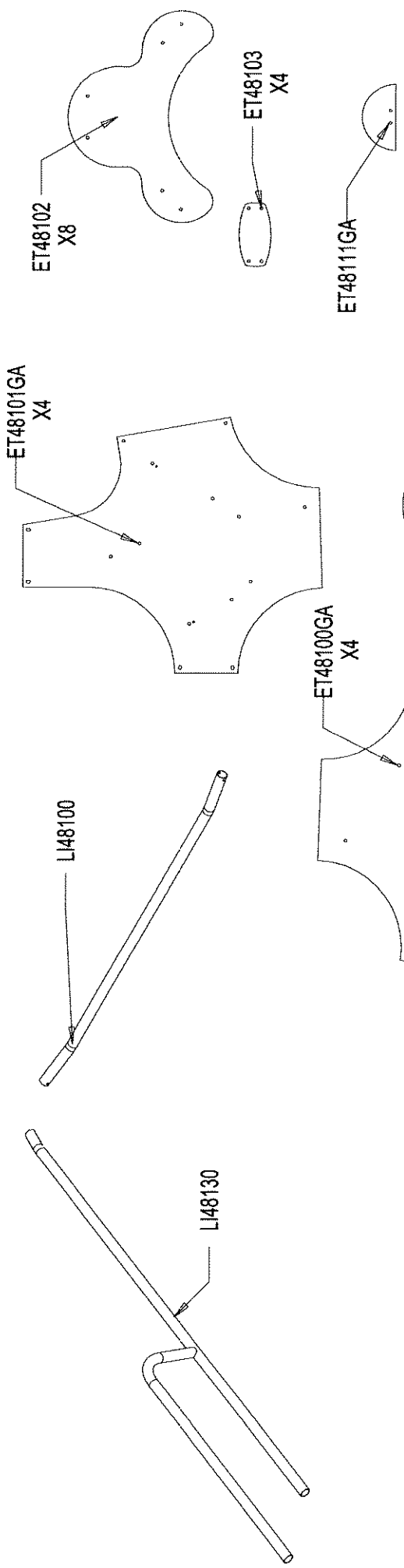




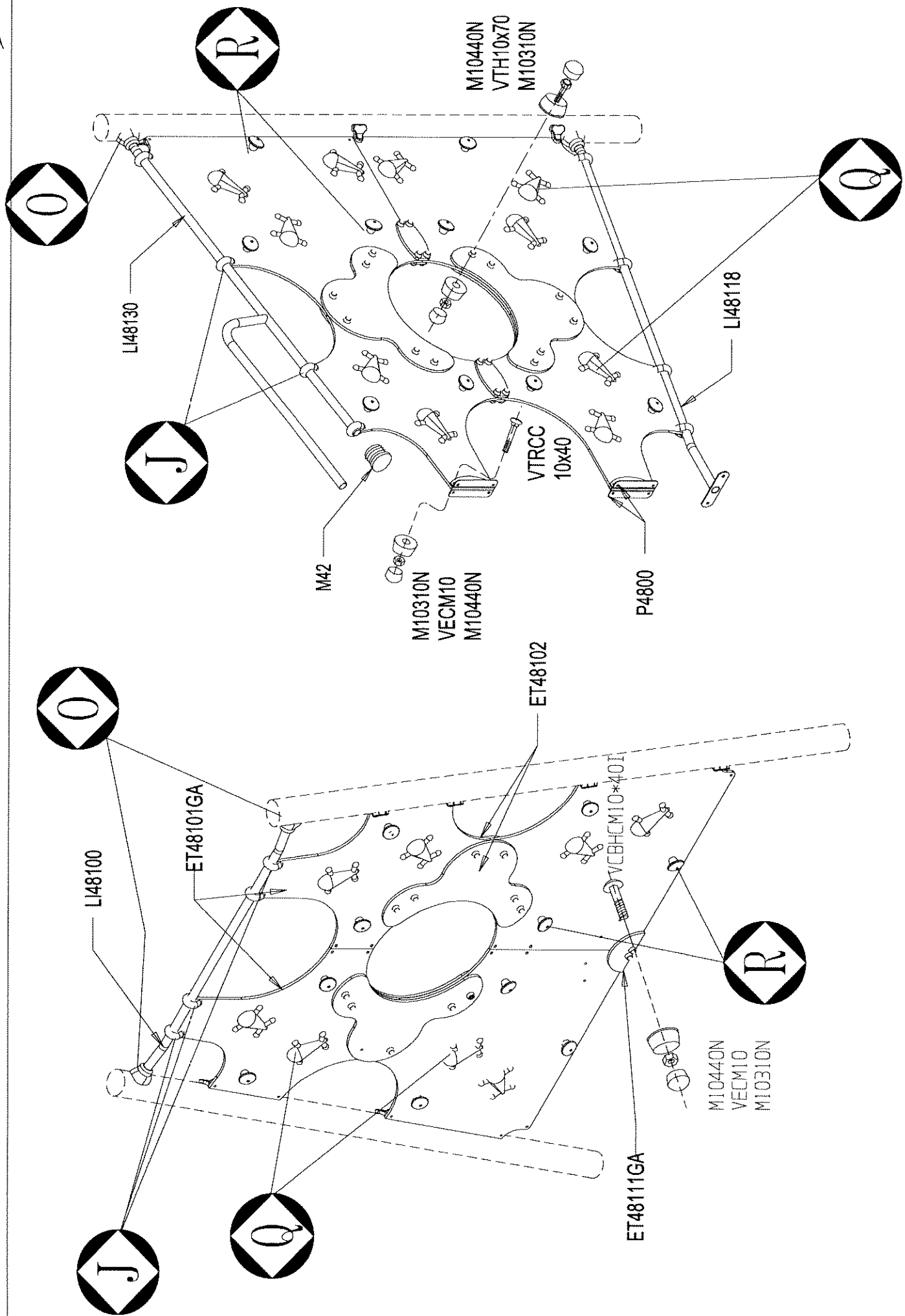
	VTH 10x60	20
	VECM8	8
	VBTR8*25	8
	MI4503N	16
	VTRCC10x100	20
	VBT 7x60	32
	VCBHC10*30I	8
	M10310N	36
	M10440N	60
	VECM10	28
	VGC8*55I	4
	VEFM10	20



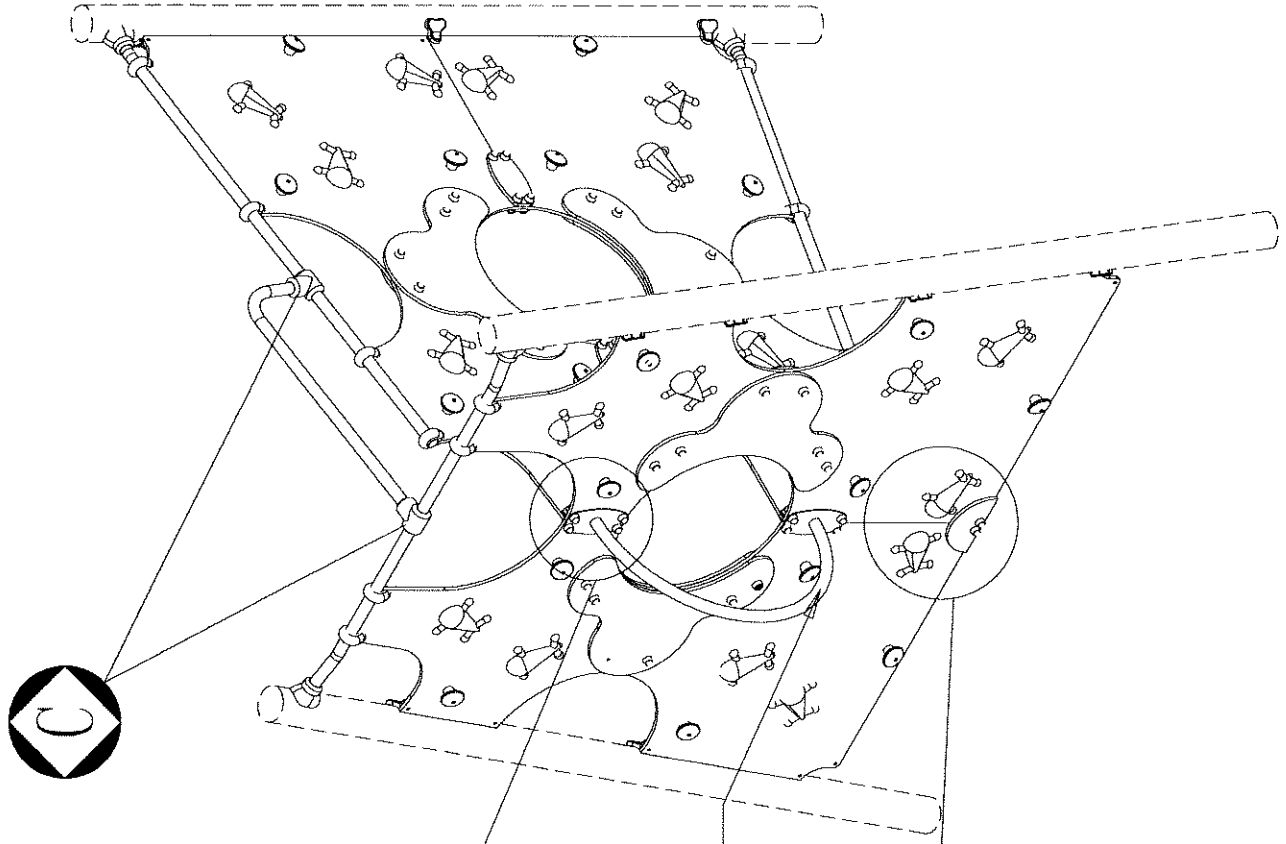




	VTH 10x60	32
	VCZX 6x25	8
	VEBM6	8
	VECM8	12
	VBTR8*25	12
	MI4503N	24
	VTRCC10x100	39
	VTRCC10x40	14
	VBT 7x60	40
	VEBHC10*30I	12
	MI0310N	78
	MI0440N	192
	VECM10	58
	VGC8*55I	2
	VTRCC10x60	2
	VEFM10	39
	M42	1







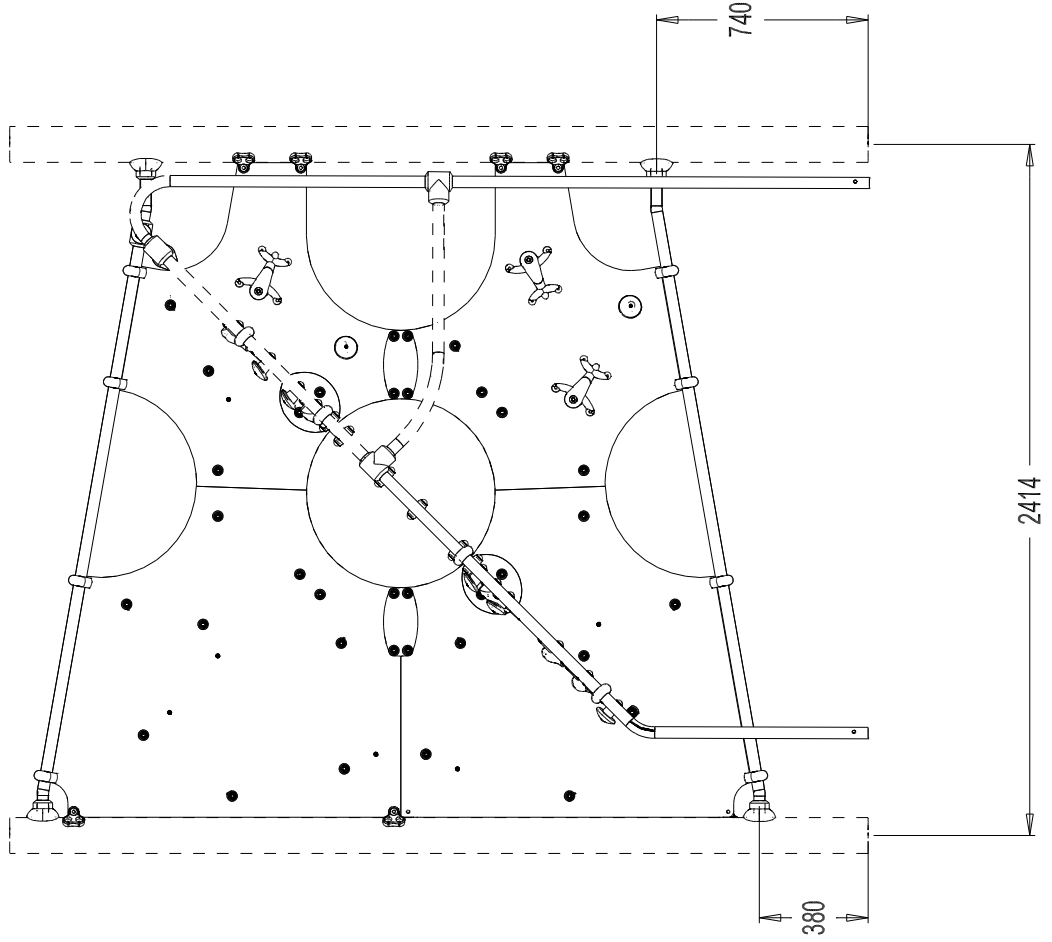
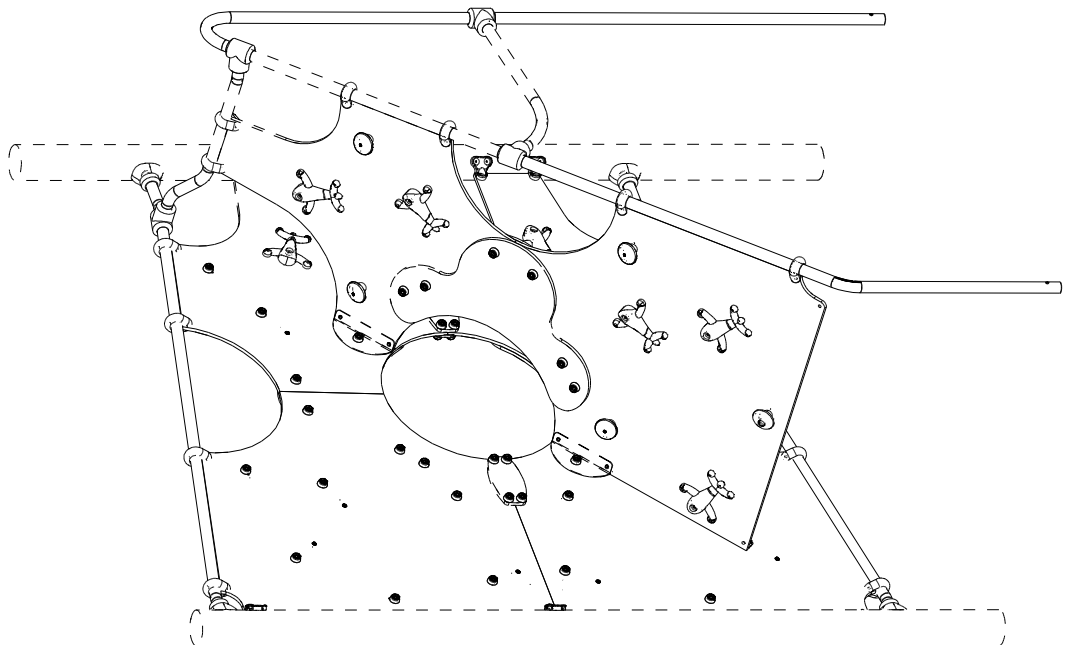
M10310N  
VECM10  
M10440N

VTRCC  
10x40

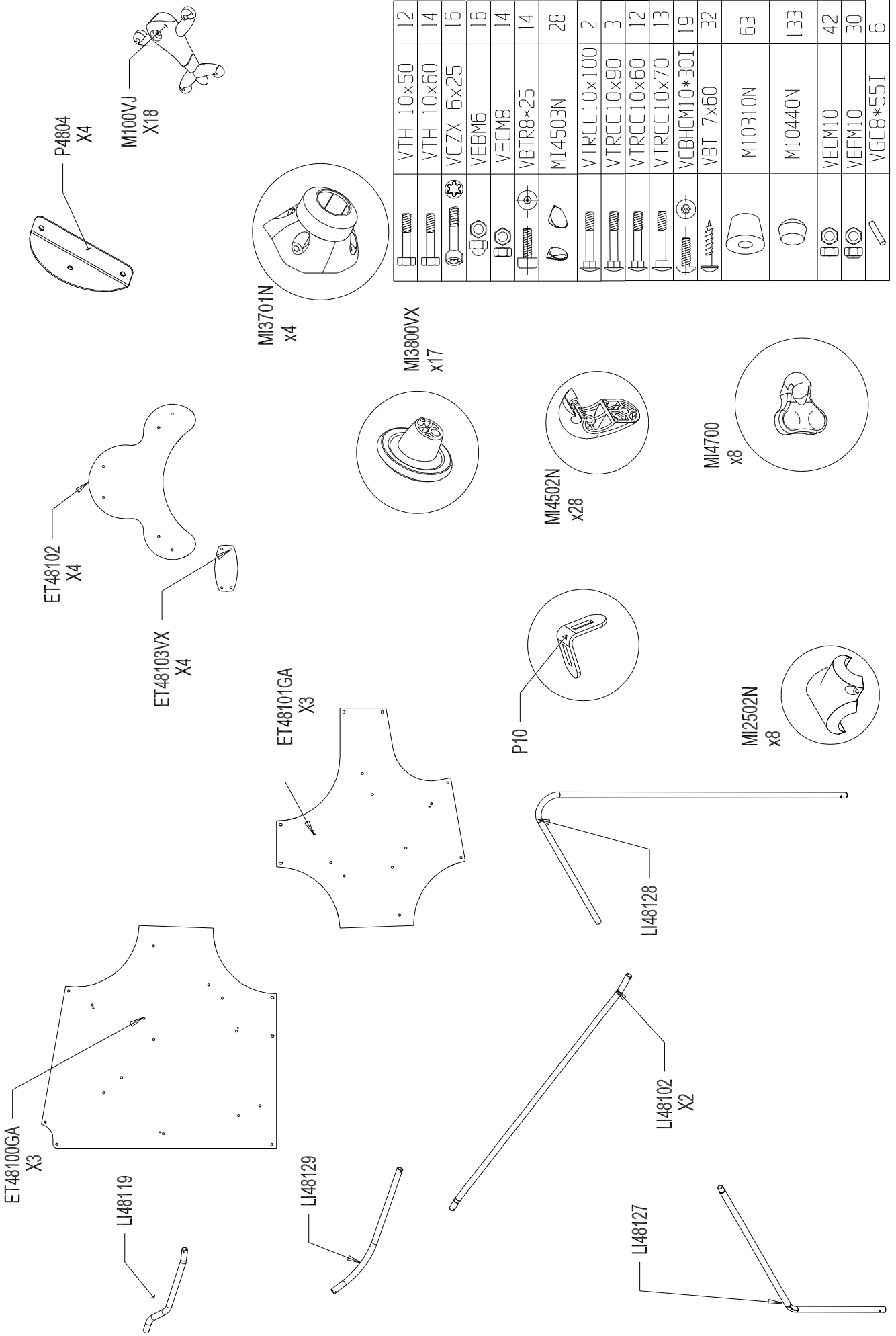
M10440N  
VECM10  
M10310N

LI48120

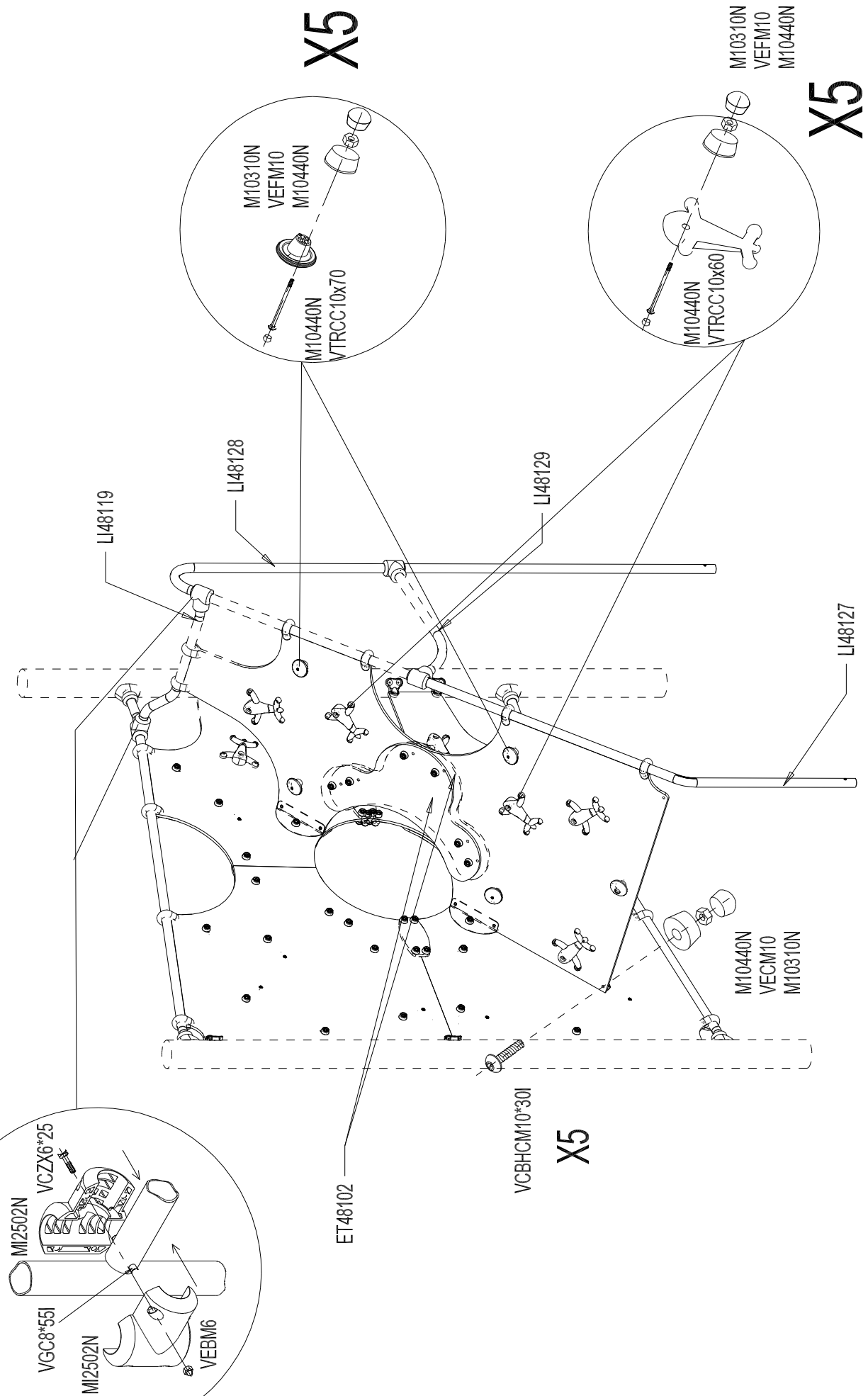
VTRCC  
10x60

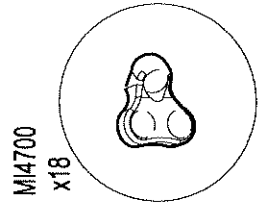
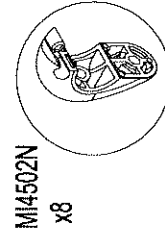
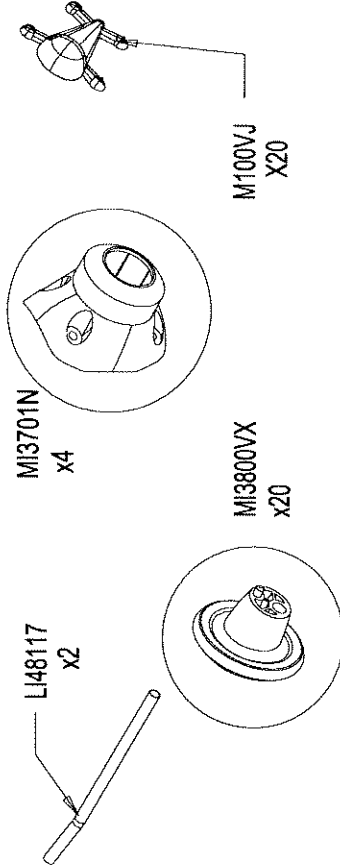
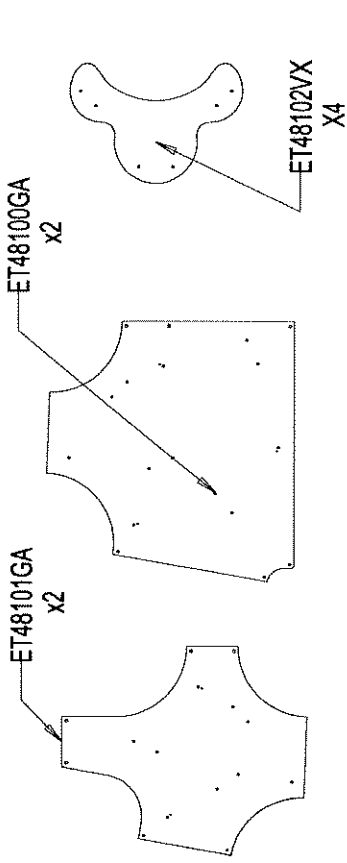
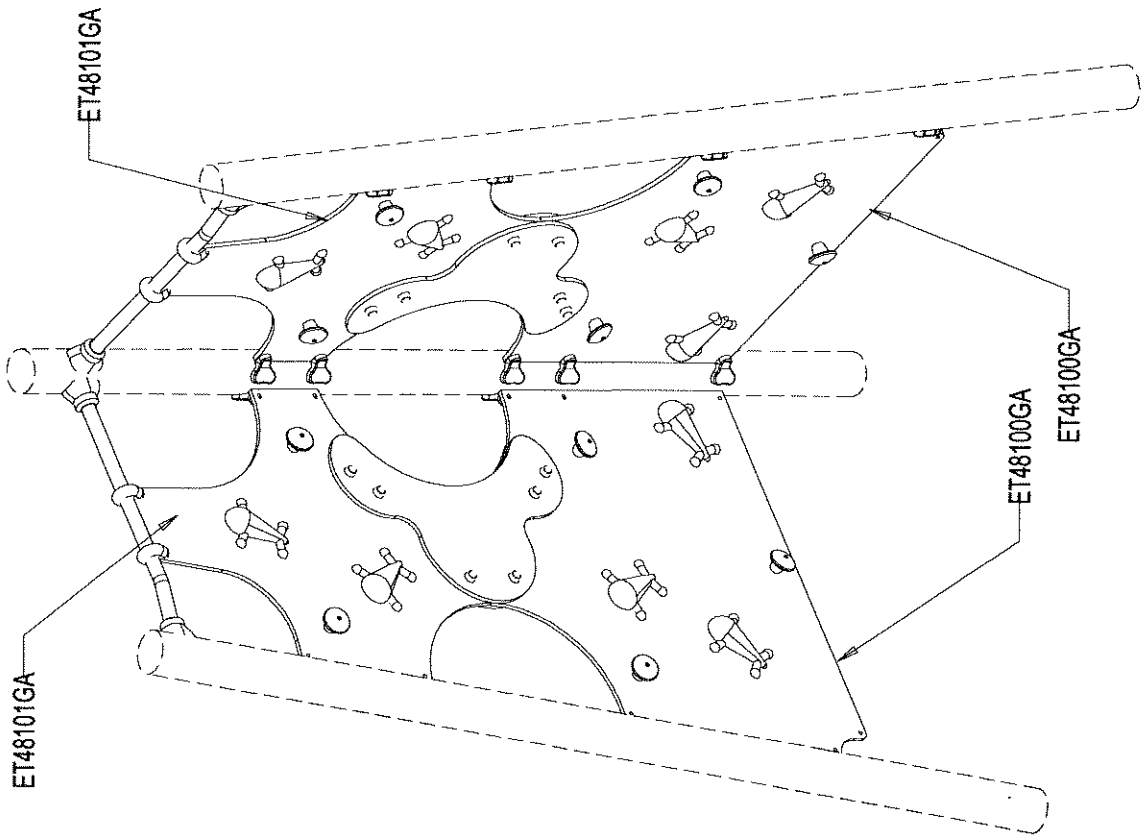




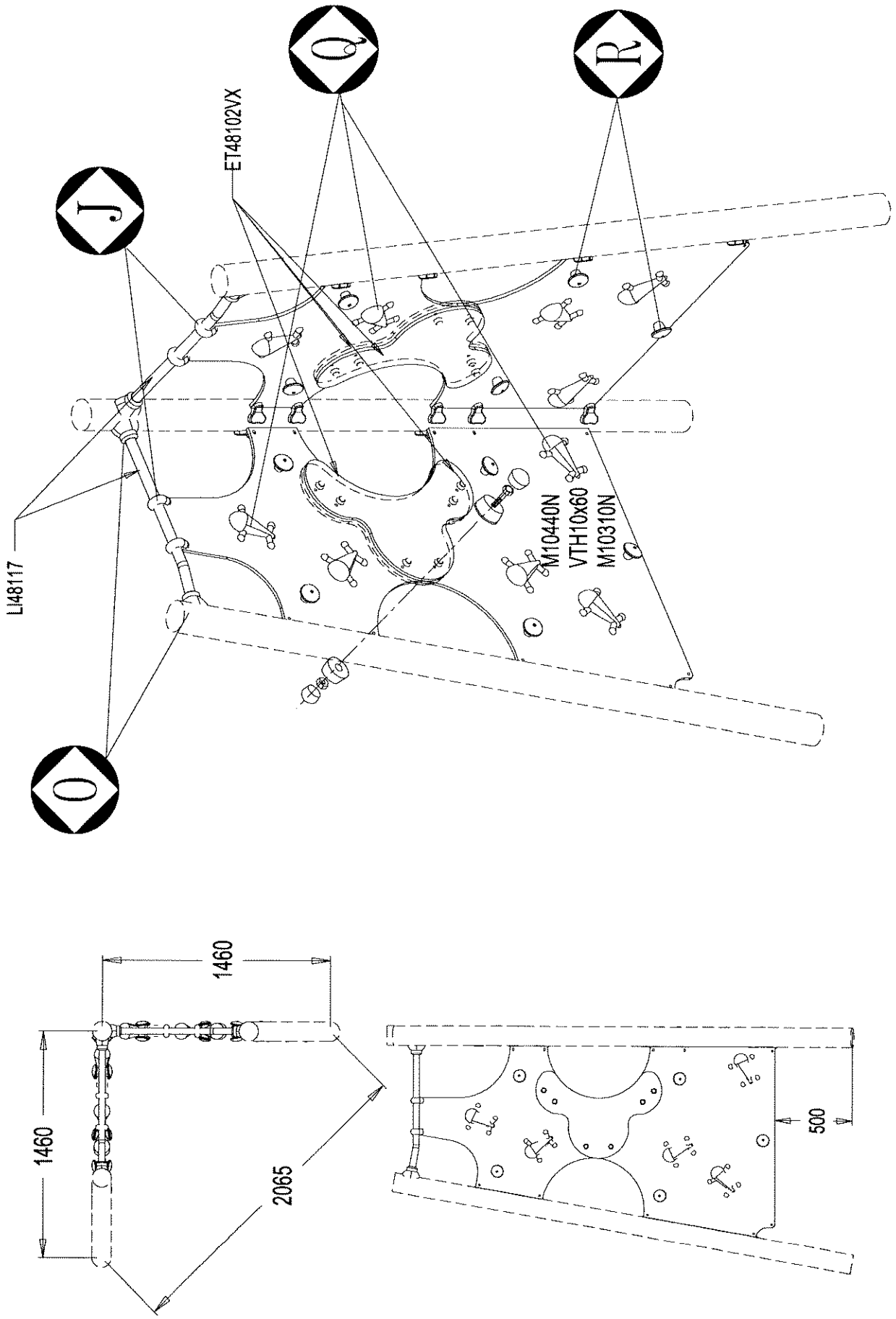


	VTH 10x50	12
	VTH 10x60	14
	VCZX 6x25	16
	VEBM6	16
	VECM8	14
	VBTR8*25	14
	MI4503N	28
	VTRCC10x100	2
	VTRCC10x90	3
	VTRCC10x60	12
	VTRCC10x70	13
	VCBHC10*30I	19
	VBT 7x60	32
	M10310N	63
	M10440N	133
	VECM10	42
	VEFM10	30
	VGC8*55I	6

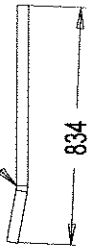




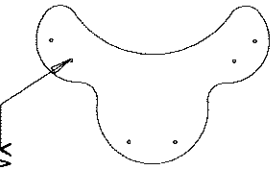
	VTH 10x60	12
	VECM8	4
	VBTR8*25	4
	MI4503N	8
	VTRCC10x100	20
	VBT 7x60	52
	VCBHCMI0*30I	18
	MI0310N	24
	MI0440N	118
	VECM10	30
	VEFM10	20



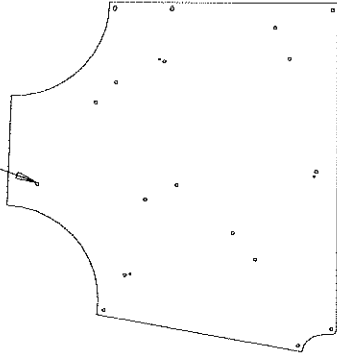
LI48117



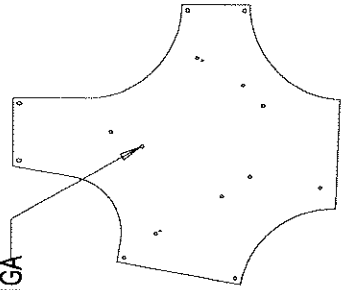
ET48102VX  
x2



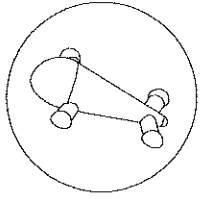
ET48100GA



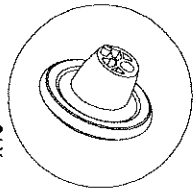
ET48101GA



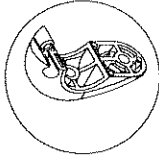
M100VJ  
x10



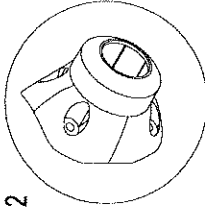
M13800VX  
x10



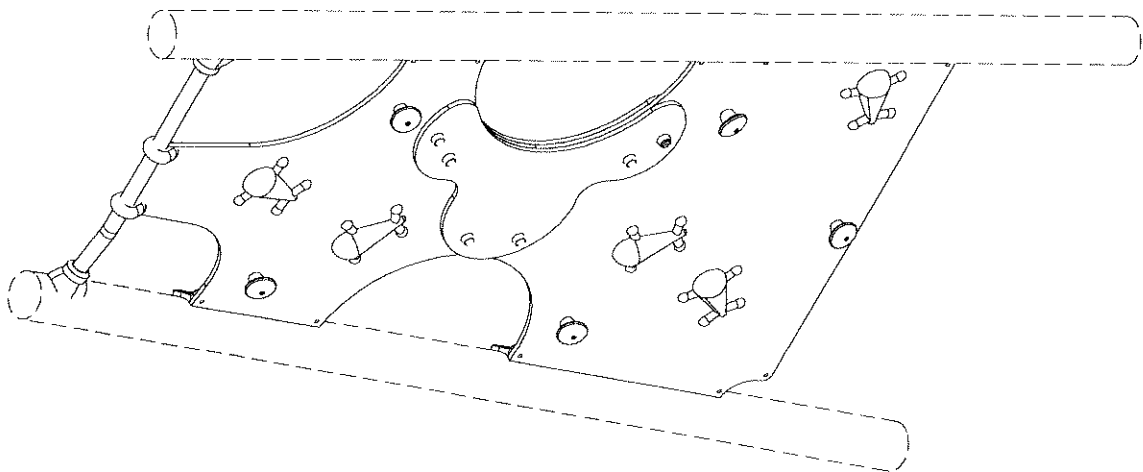
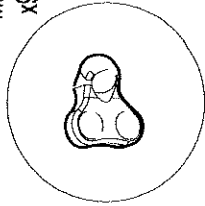
M14502N  
x4



M13701N  
x2

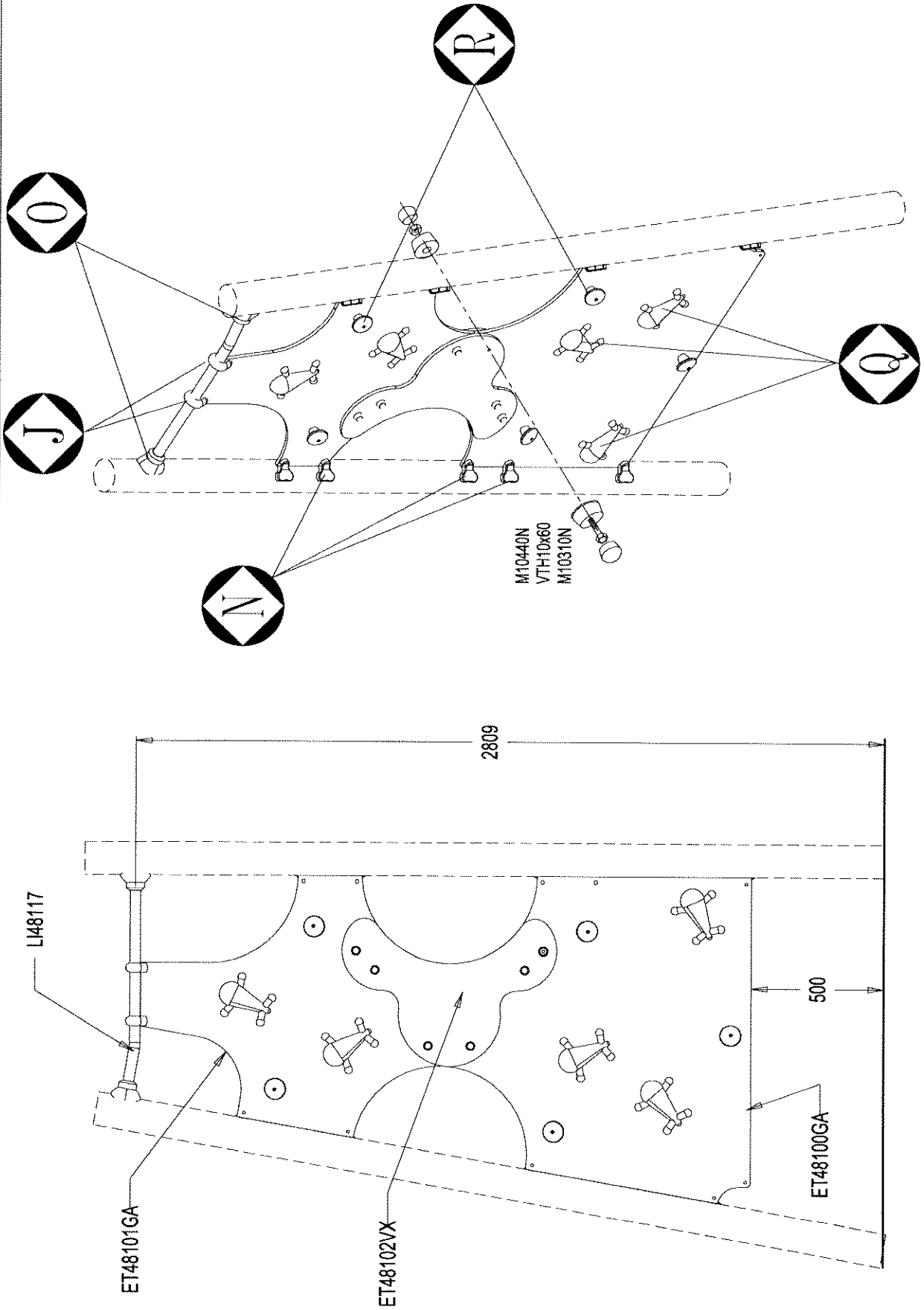


M14700  
x9



	VTH 10x60	6
	VECM8	2
	VBTR8*25	2
	M14503N	4
	VTRCC10x100	10
	VBT 7x60	26
	VLBHCM10*30I	9
	M10310N	12
	M10440N	59
	VECM10	15
	VEFM10	10





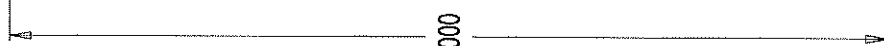
MI025VX



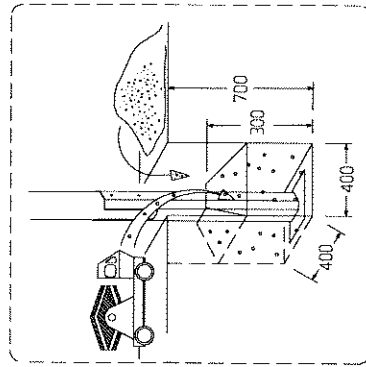
CL2502



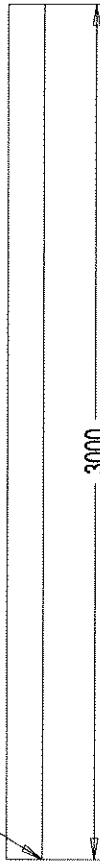
3000



LG2553

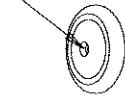


CL2502

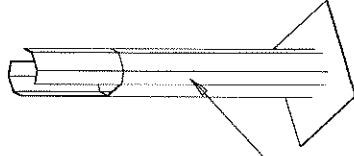


3000

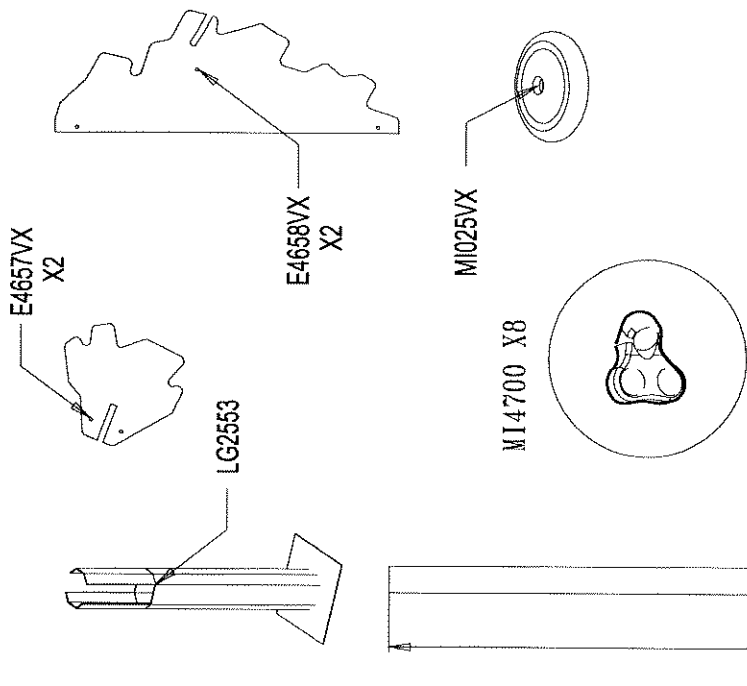
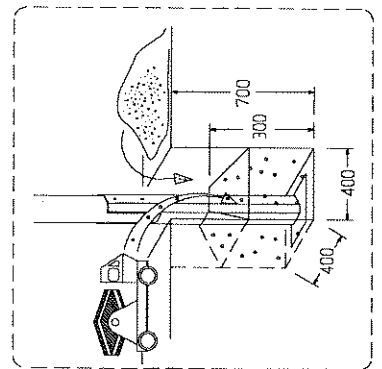
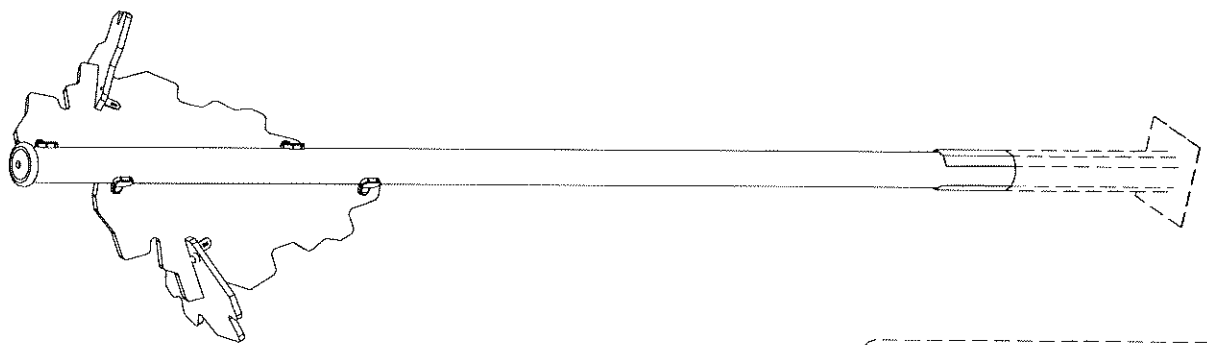
MI025



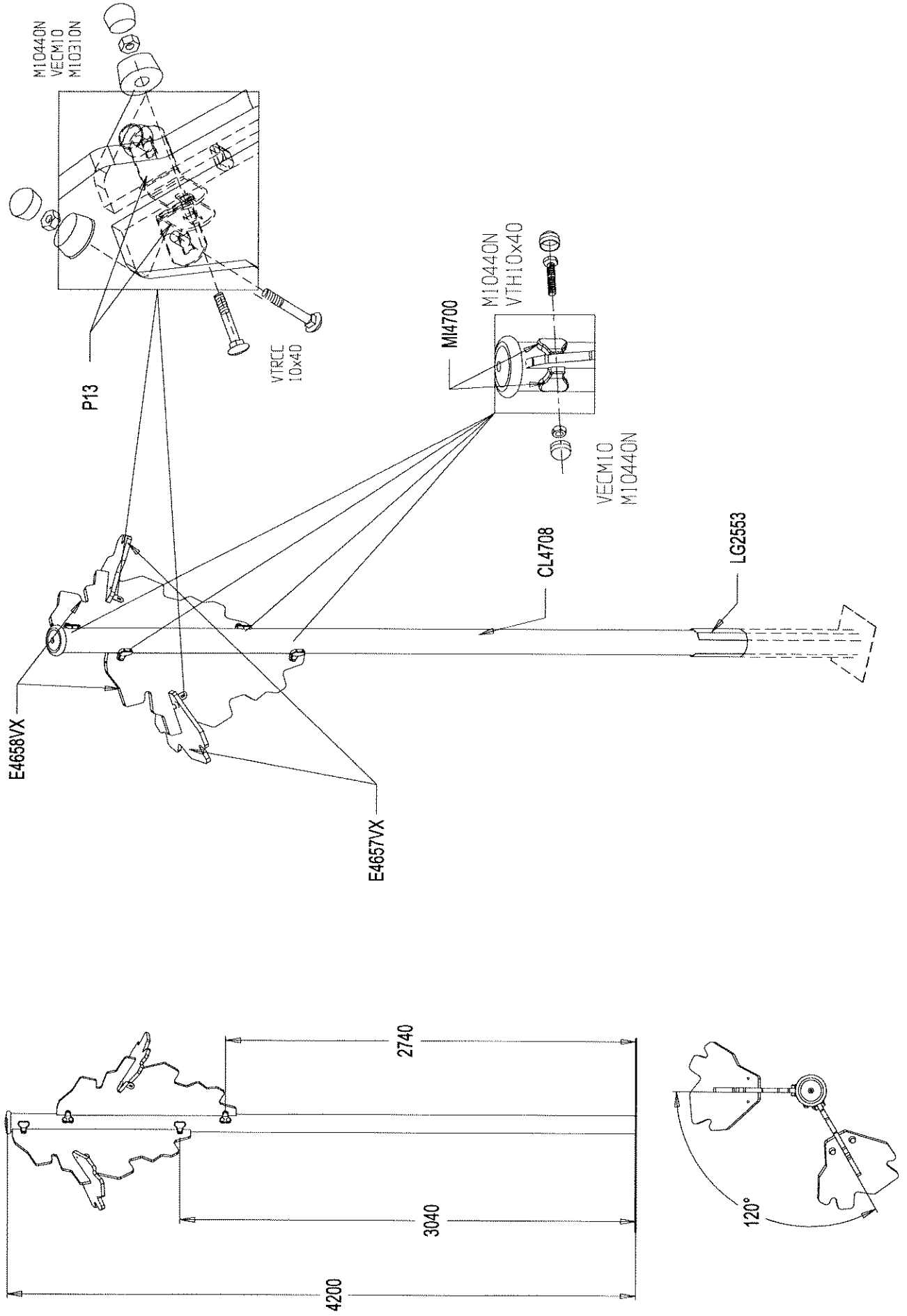
LG2553

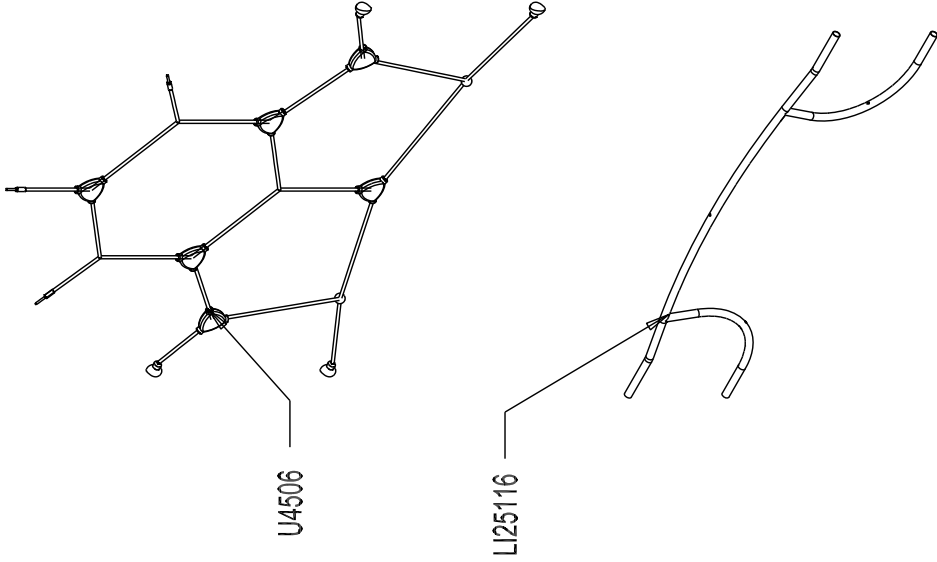
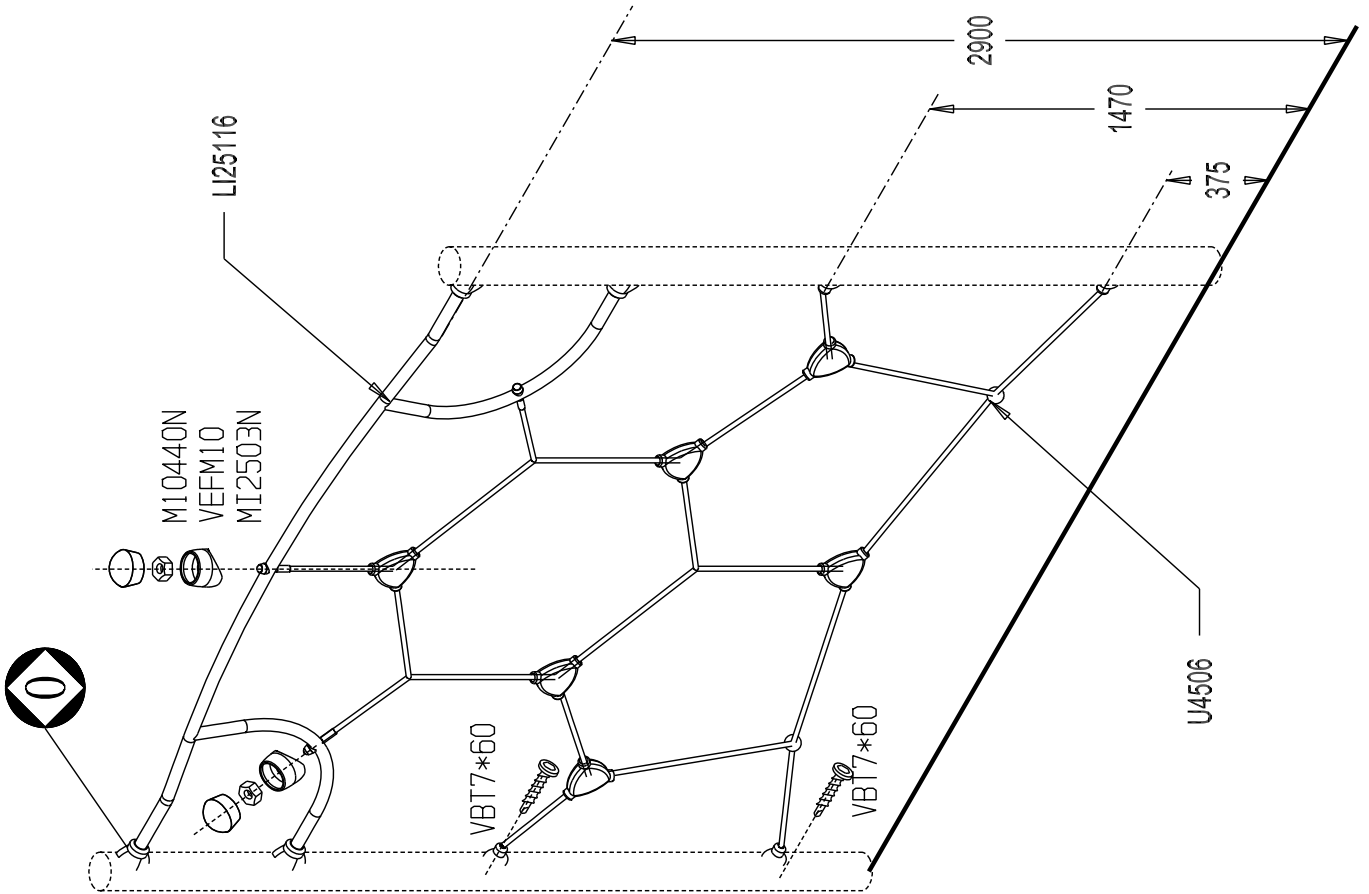


	VBT 7x60	1
	VTF 10x60	2
	VTRCC10X140	1
	MI0310N	3
	M10440N	4
	VECM10	1

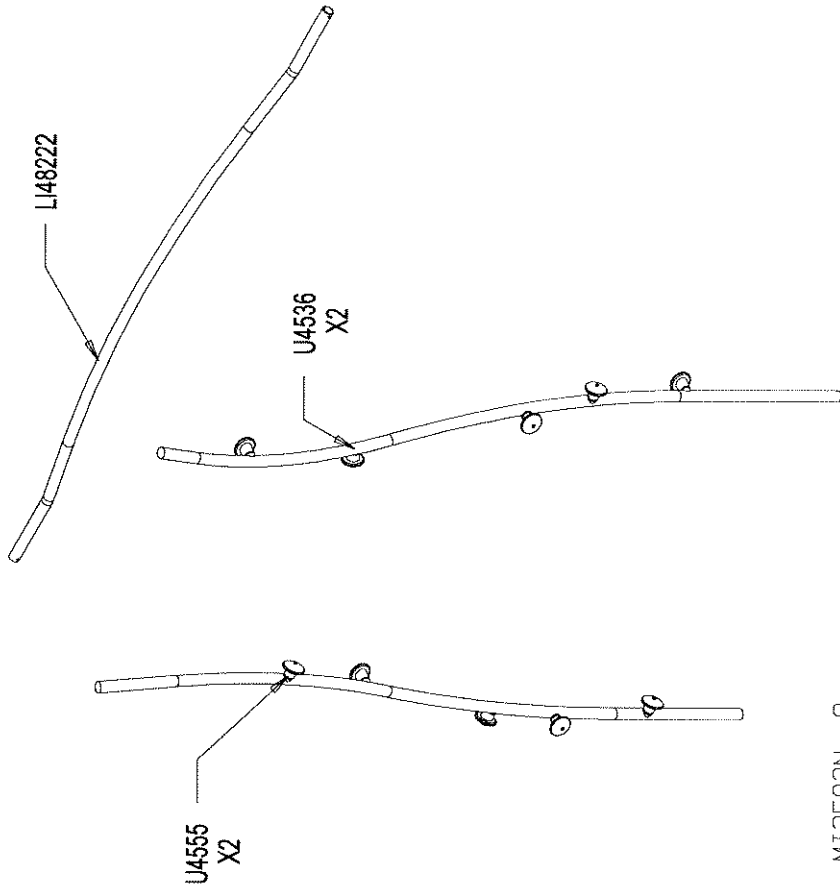
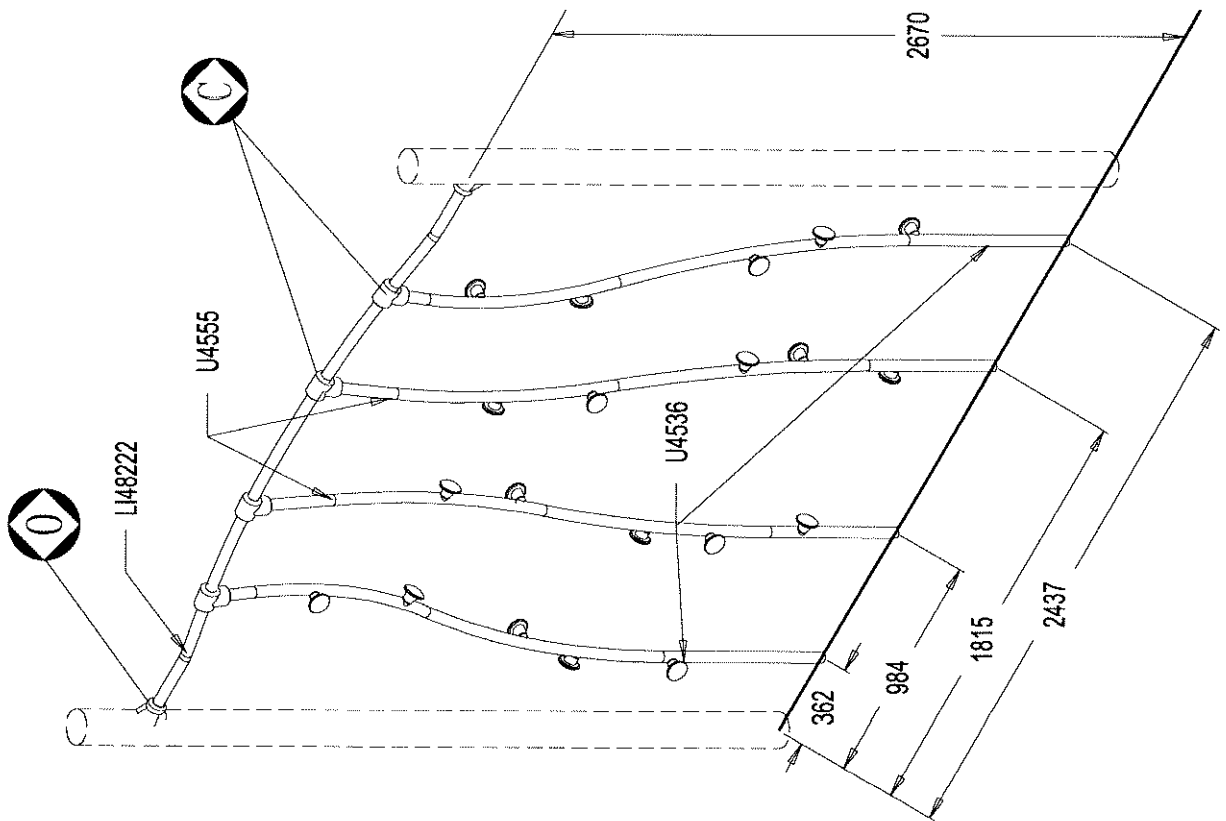


	VTH 10x40	4
	VRCC10x40	6
	P13	4
	VBT 7x60	17
	VTF 10x60	2
	VRCC10x140	1
	M10310N	9
	M10440N	33
	VECM10	11

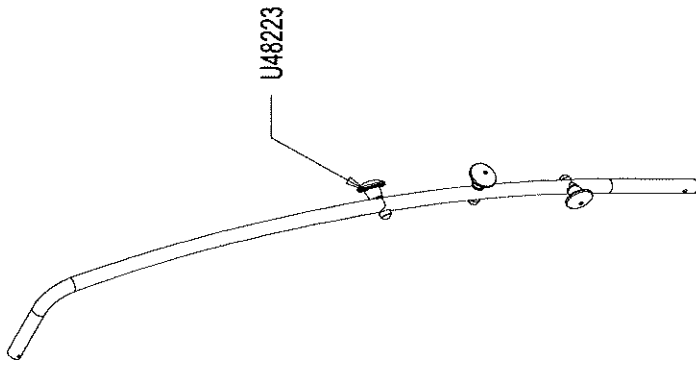
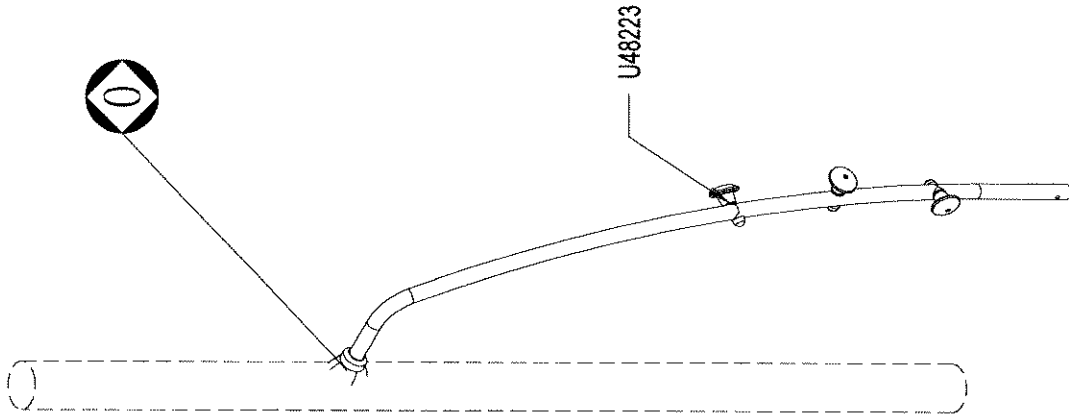







	VGC8*55I	4
	MI3701N	4
	M10440N	3
	VEFM10	3
	MI2503N	3
	VBT 7x60	32



	VGC8*55I	2
	MI3701N	2
	VCZX 6x25	16
	VEBM6	16
	VBT7x60	8



	VGC8*55I	1
	VBT 7x60	4
	MI370IN	1