



N°		
1	2 m	52 m ²

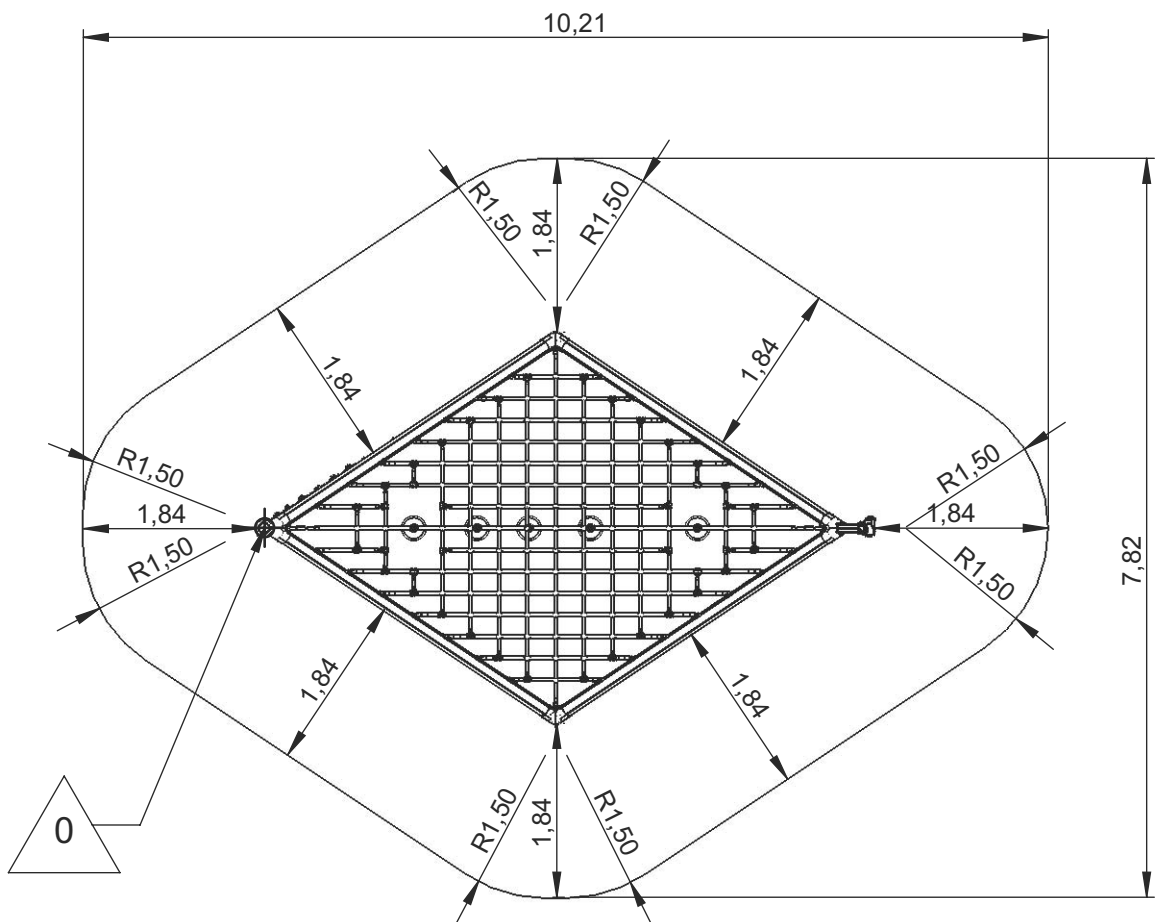
— Zone d'impact
Impact area
Area de impacto
Fallraum
Valzone

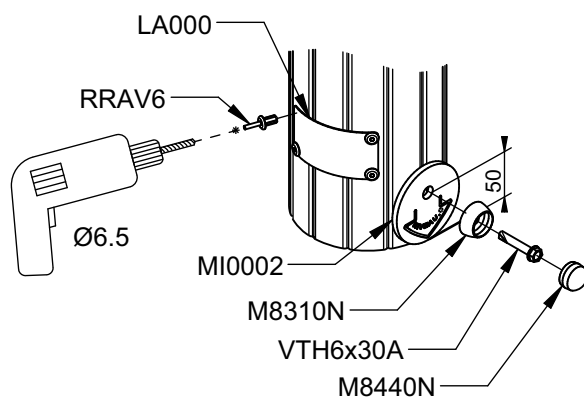
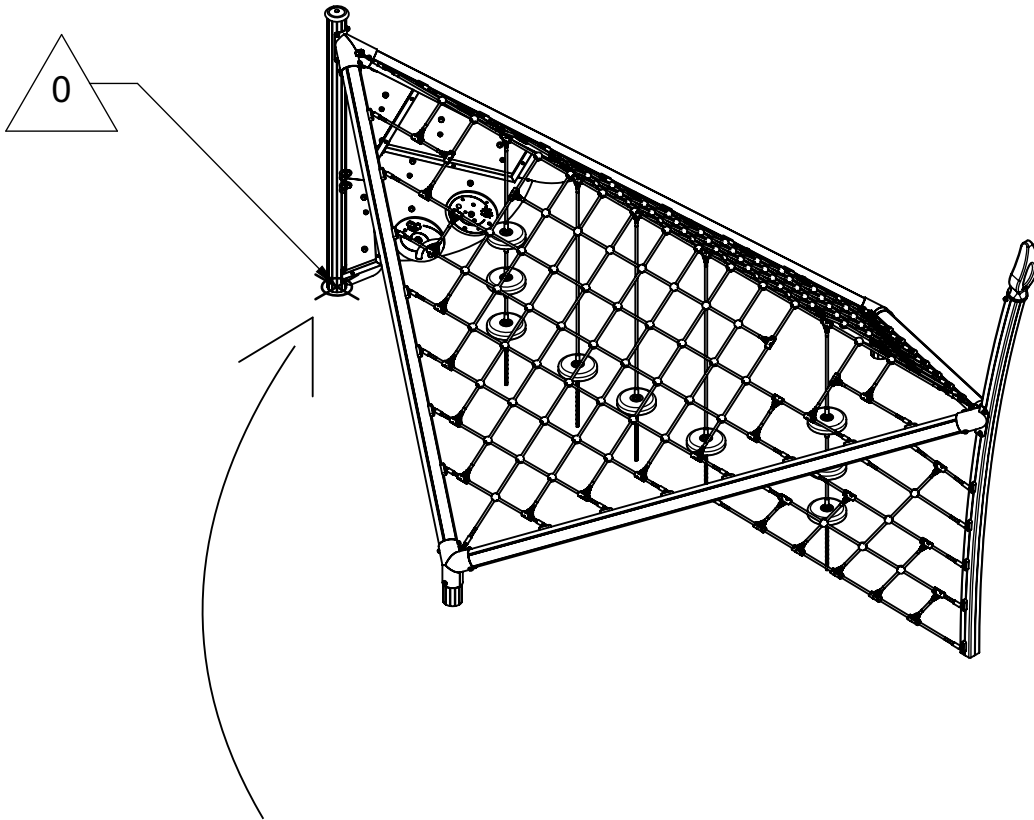


Point de référence
Setting out point
Punto de referencia
Bezugspunkt
Referentiepunt

- - - Espace libre
Free space
Espacio libre
Freiraum
Vrije ruimte

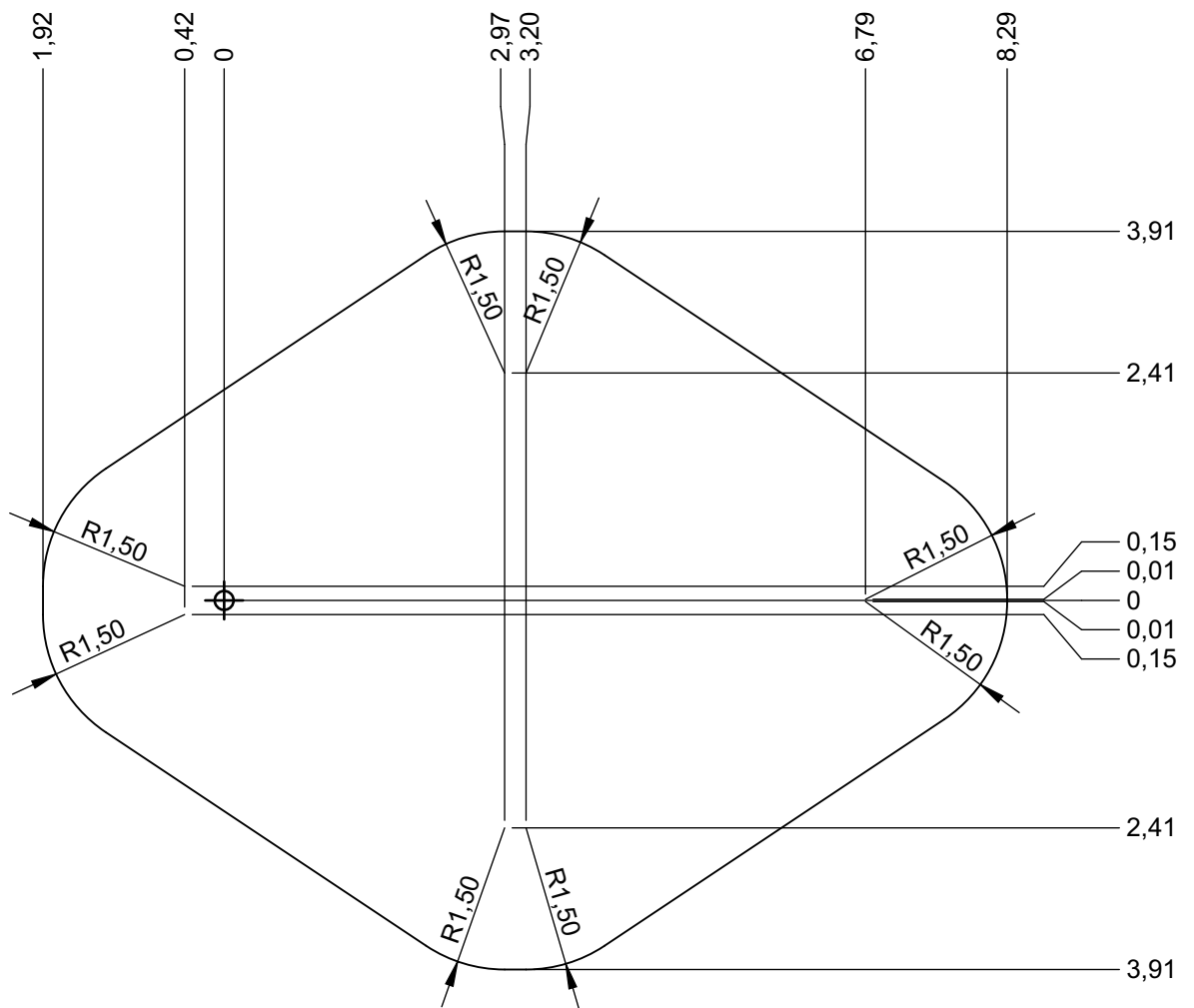
EN1176-1:2017





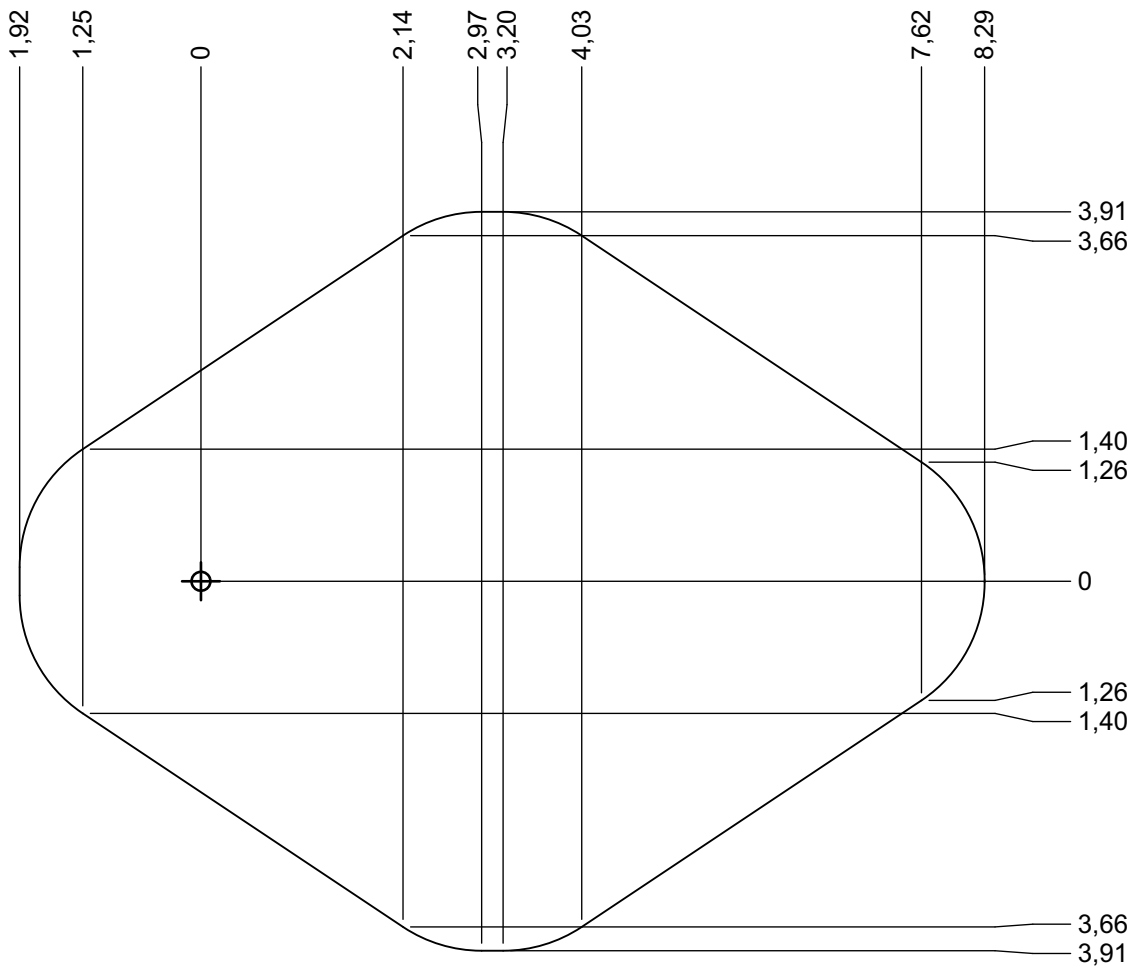
— Zone d'impact
 Impact area
 Area de impacto
 Fallraum
 Valzone

52 m²



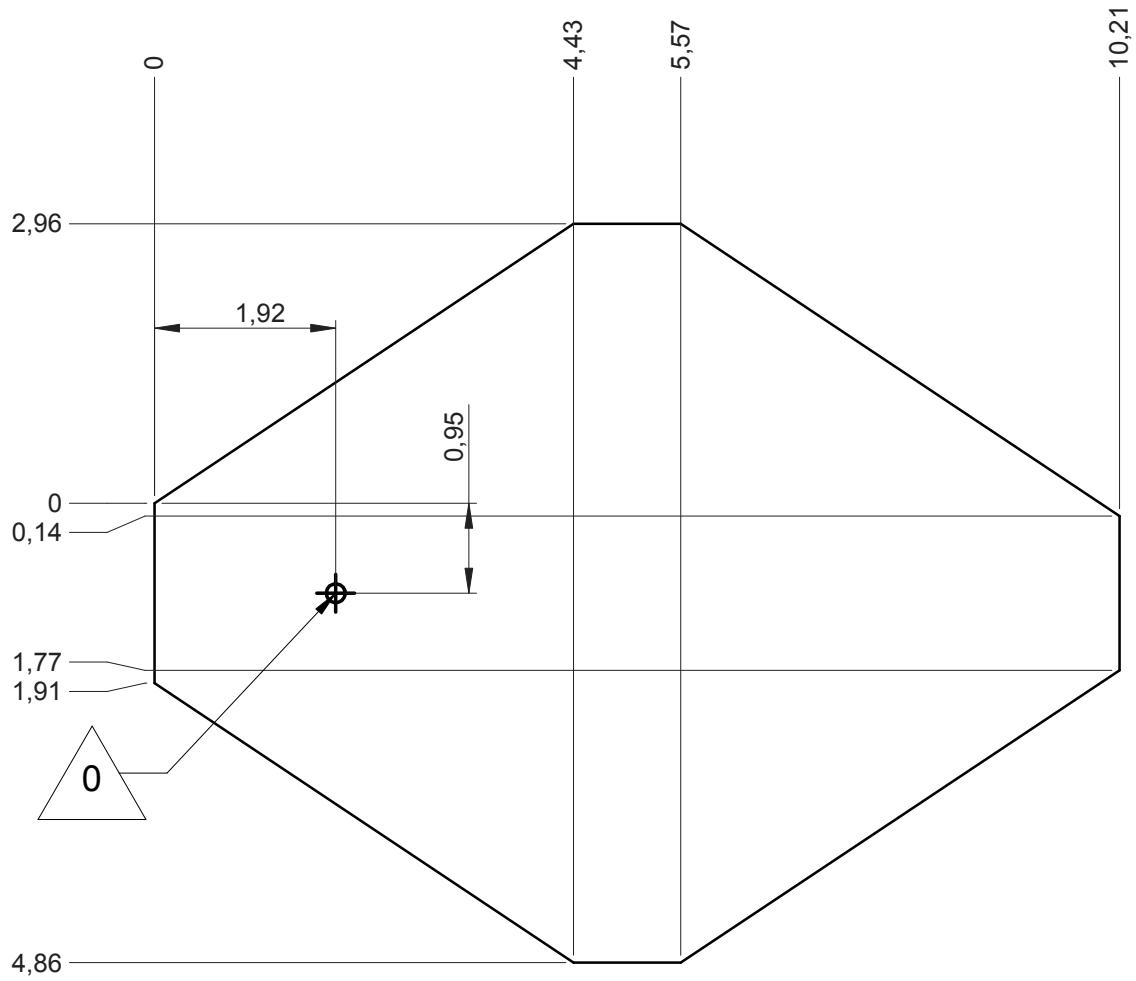
— Sol souple
 Wepour
 Caucho continuo
 Synthetischer fallschutz
 Gietvloer

52 m²

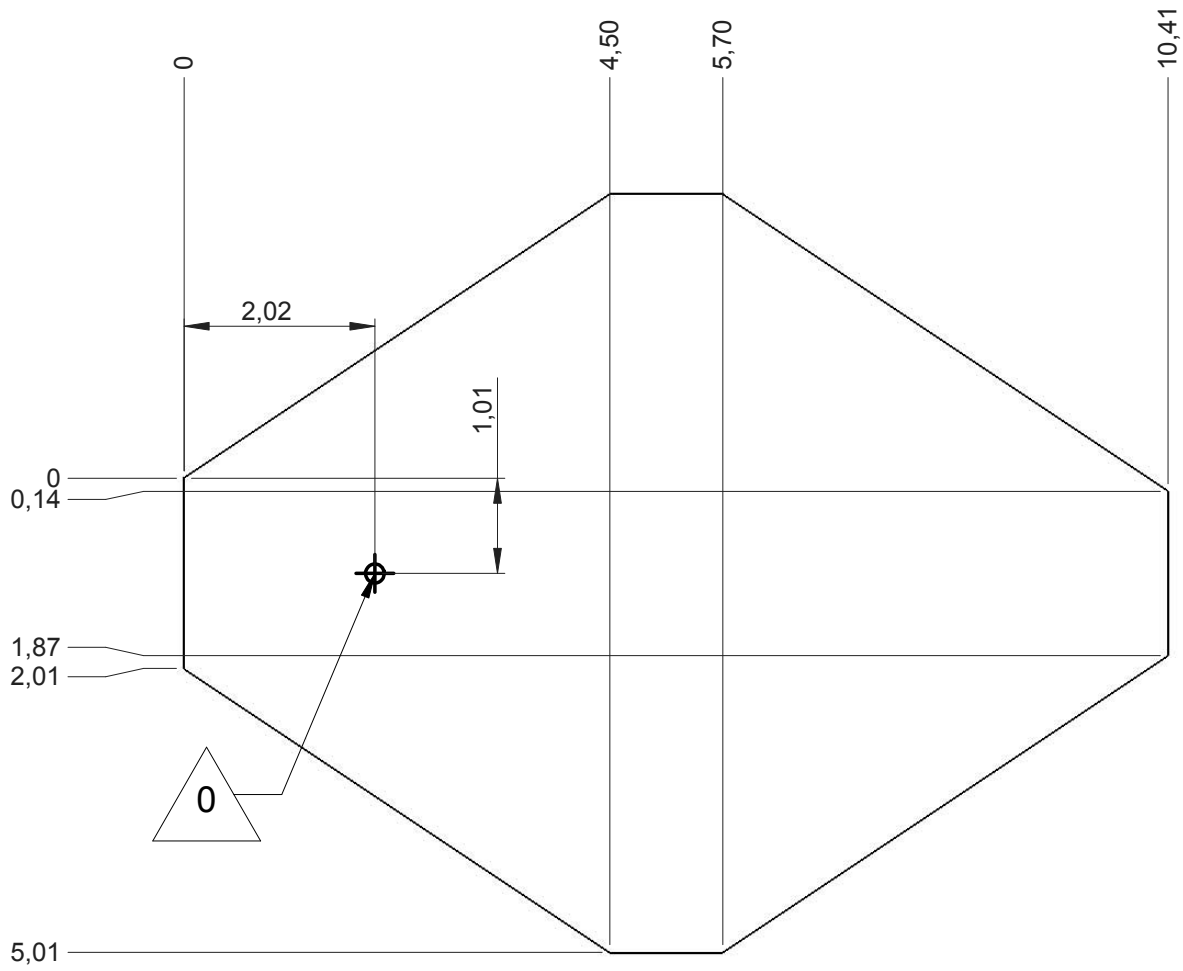


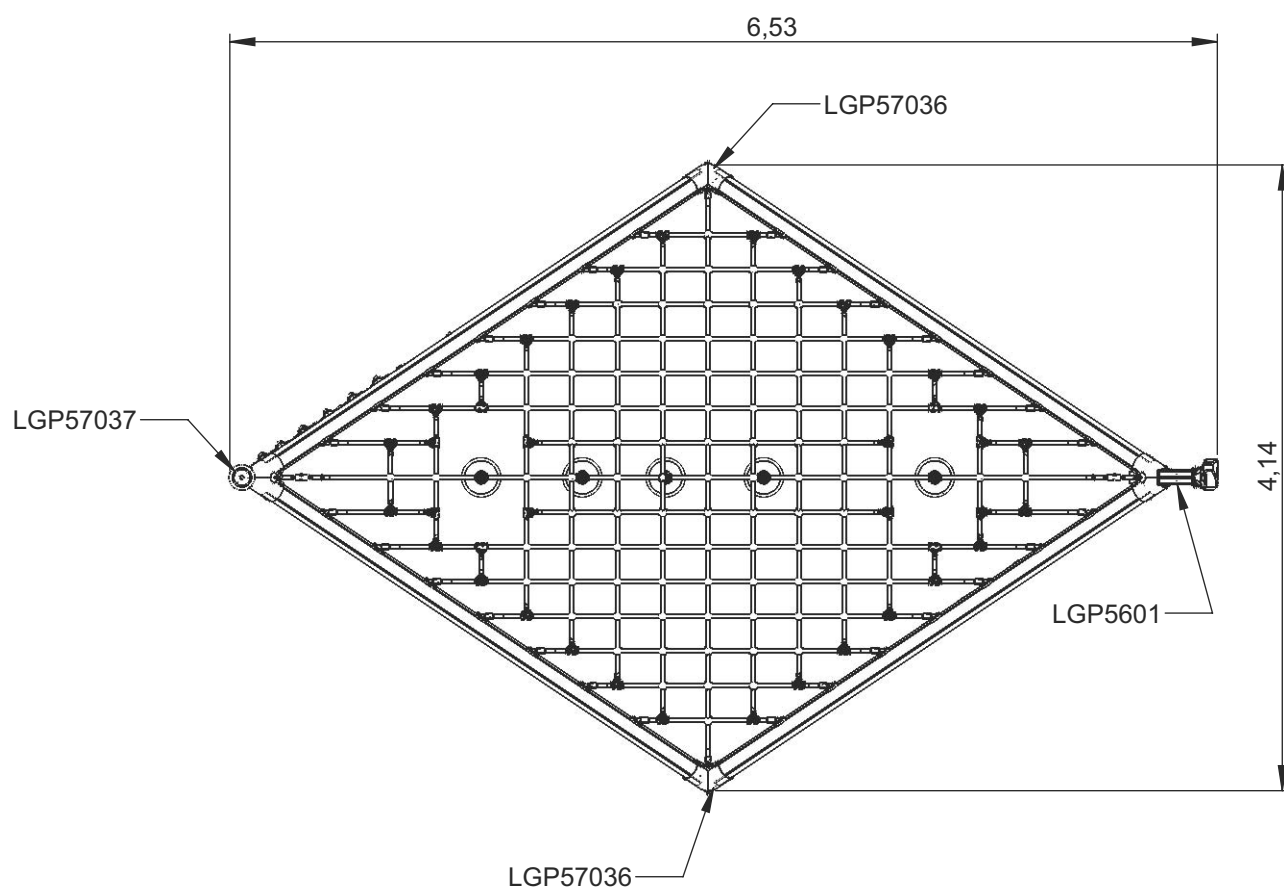
— Dalle béton
 Concrete pad
 Solera de hormigon
 Beton bodenplatte
 Betonnen bodemplaat

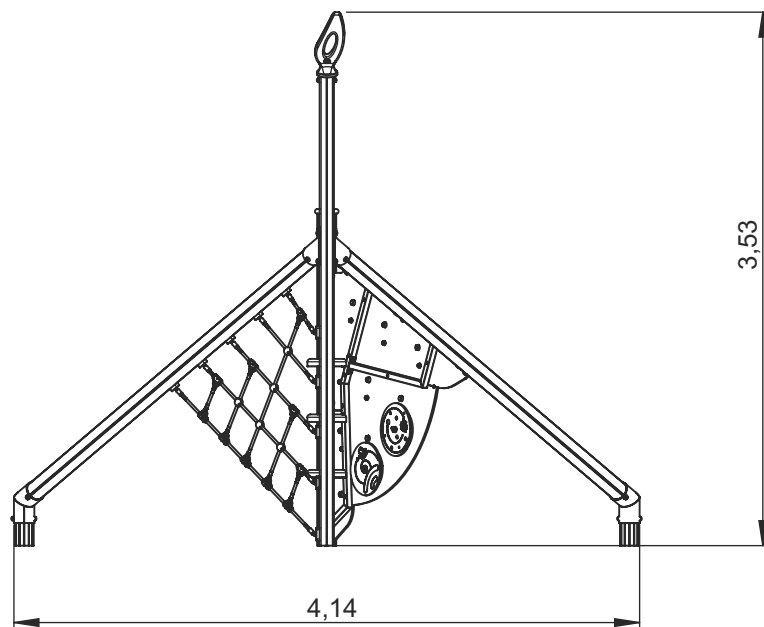
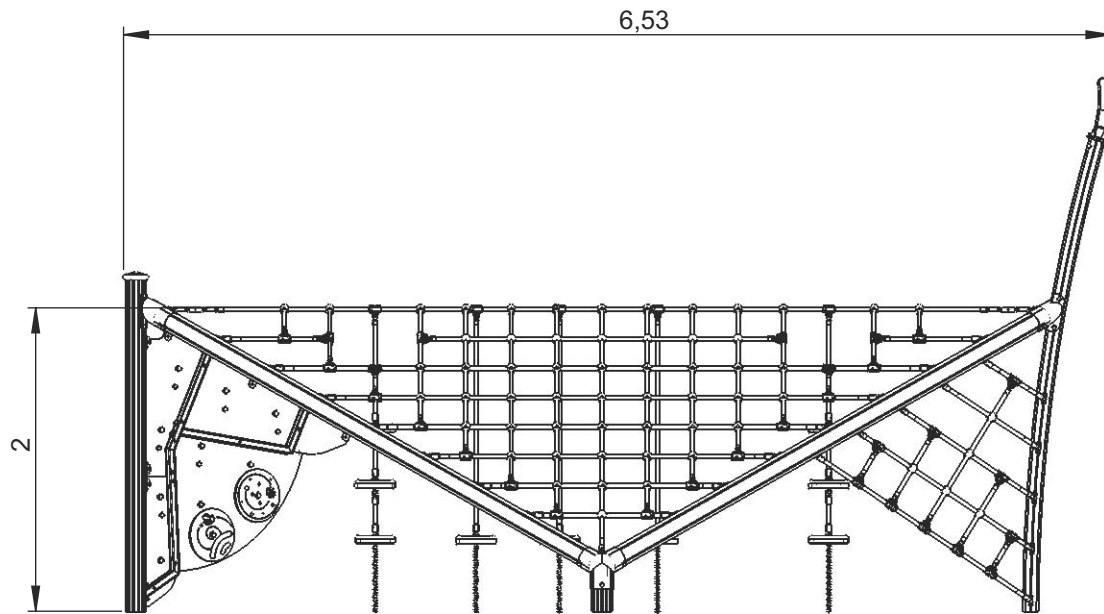
28 m
53 m²



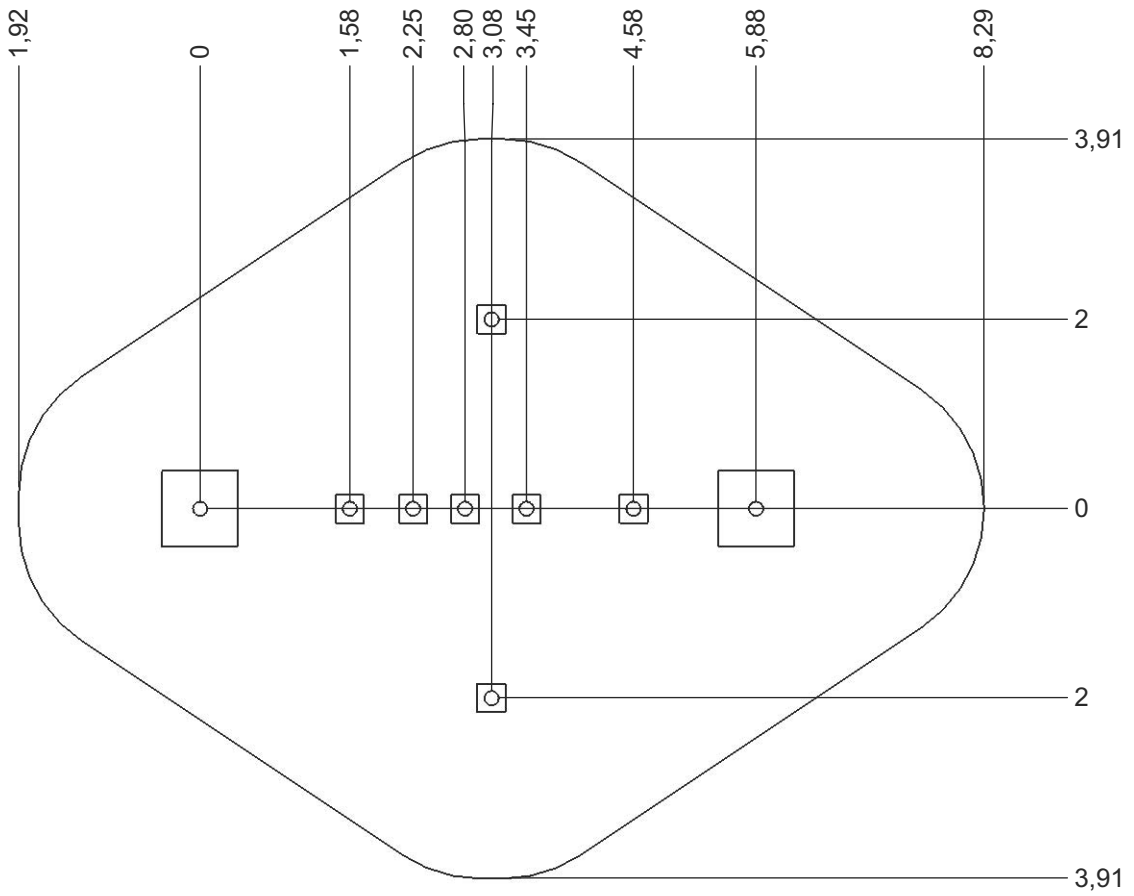
— Sol fluent
 Loos partucule material 29 m
 Arenero
 Loses Bodenmaterial 56 m²
 Los bodemmaterial



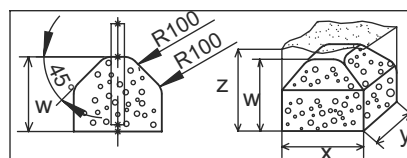






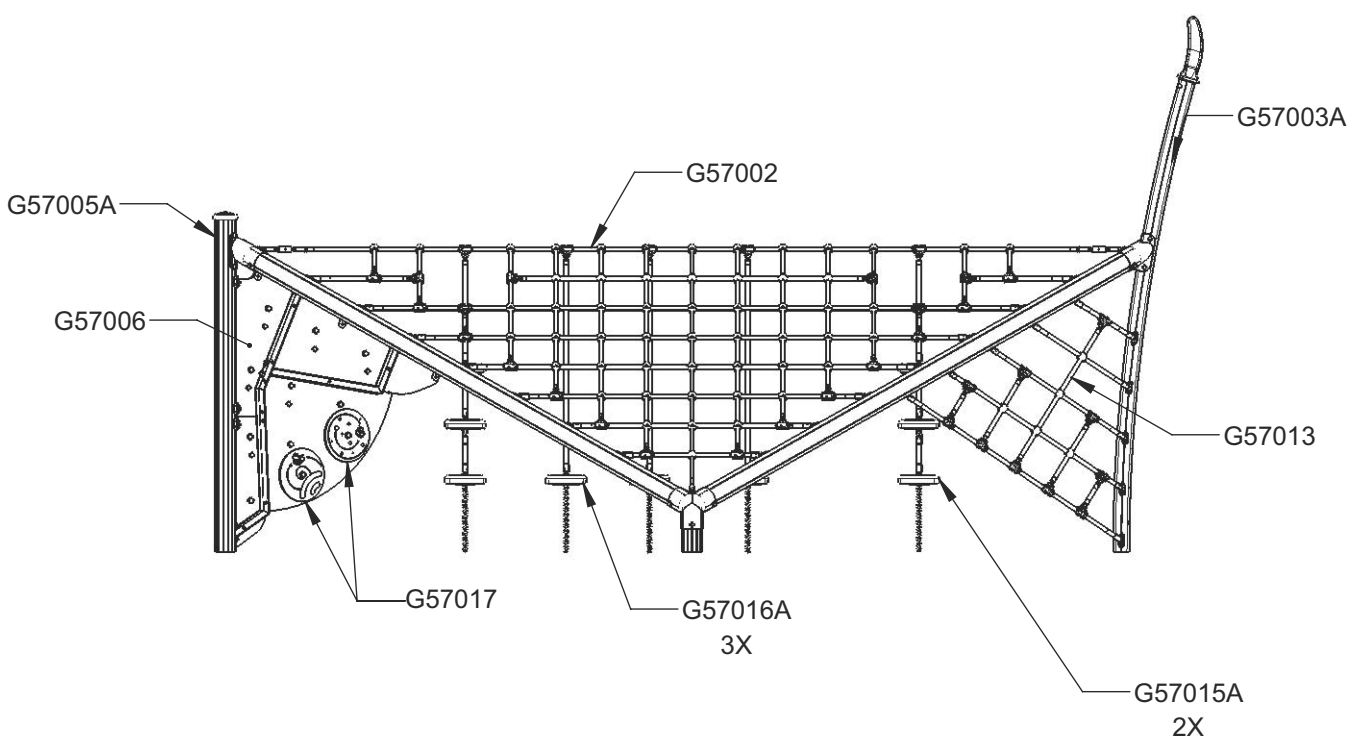
Implantation
 Footing plan
 Implantación
 Fundamentplan
 Funderingstekening



 x2
 8H
 1 m³



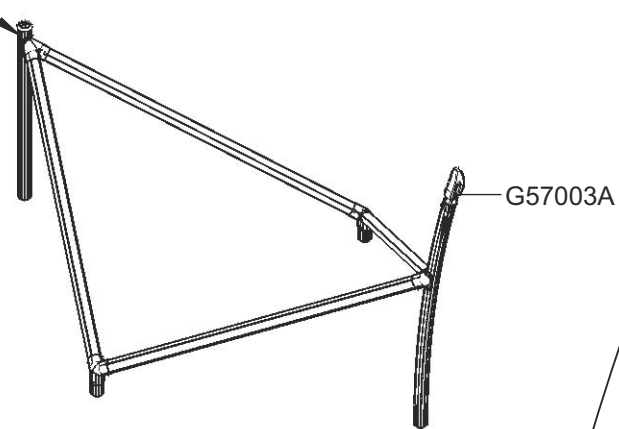
	x	y	w	z
	0.3	0.3	0.3	0.6
	0.8	0.8	0.6	0.8



Réf	Qté
G57002	1
G57003A	1
G57005A	1
G57006	1
G57013	1
G57015A	2
G57016A	3
G57017	1

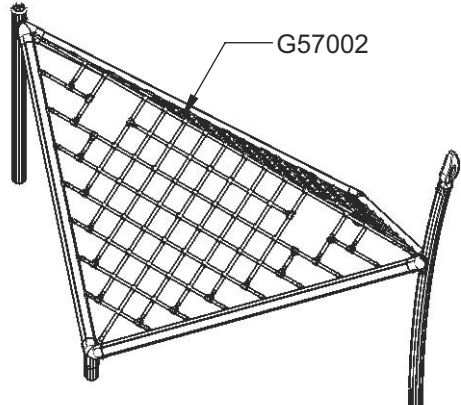
1

G57005A



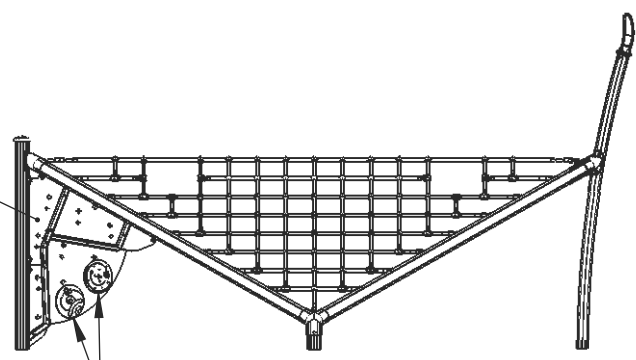
2

G57002



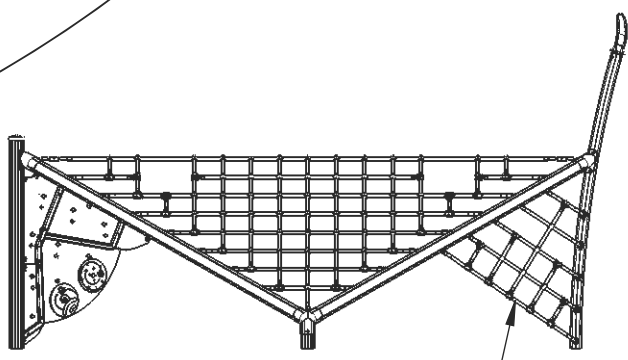
3

G57006



4

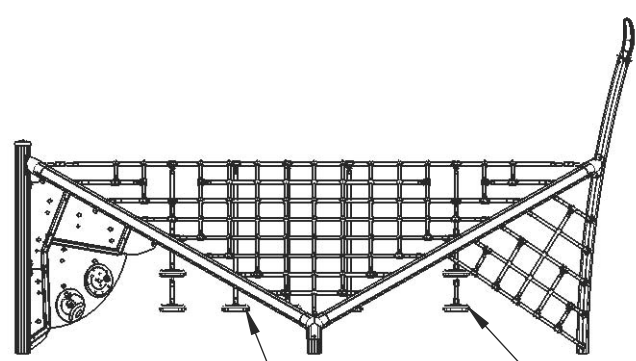
G57013

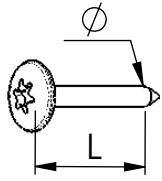


5

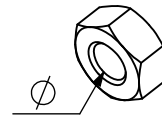
G57016A
3X

G57015A
2X

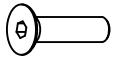




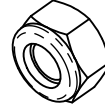
VBT 6 x 30
 \varnothing \uparrow L (mm)



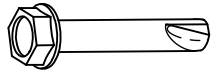
VEC M10
 \varnothing



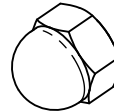
VFHC



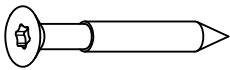
VEF



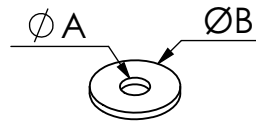
VTHA



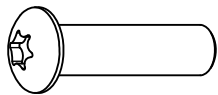
VEB



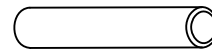
VWT



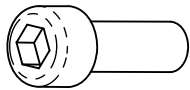
VR6x18
 $\varnothing A$ $\varnothing B$



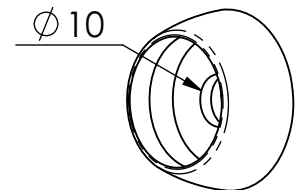
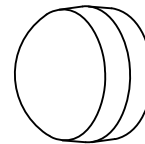
VCBHC



VGC

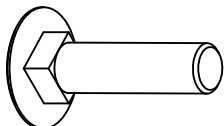


VBTR

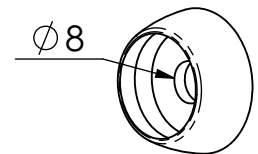
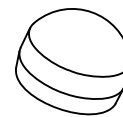


M10 440N

M10 310 N

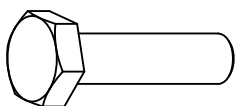


VTRCC

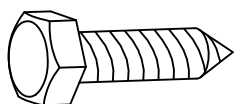


M8440N

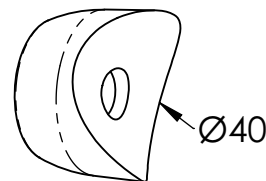
M8310N



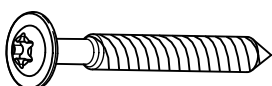
VTH



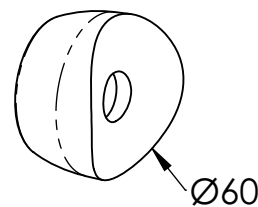
VTF



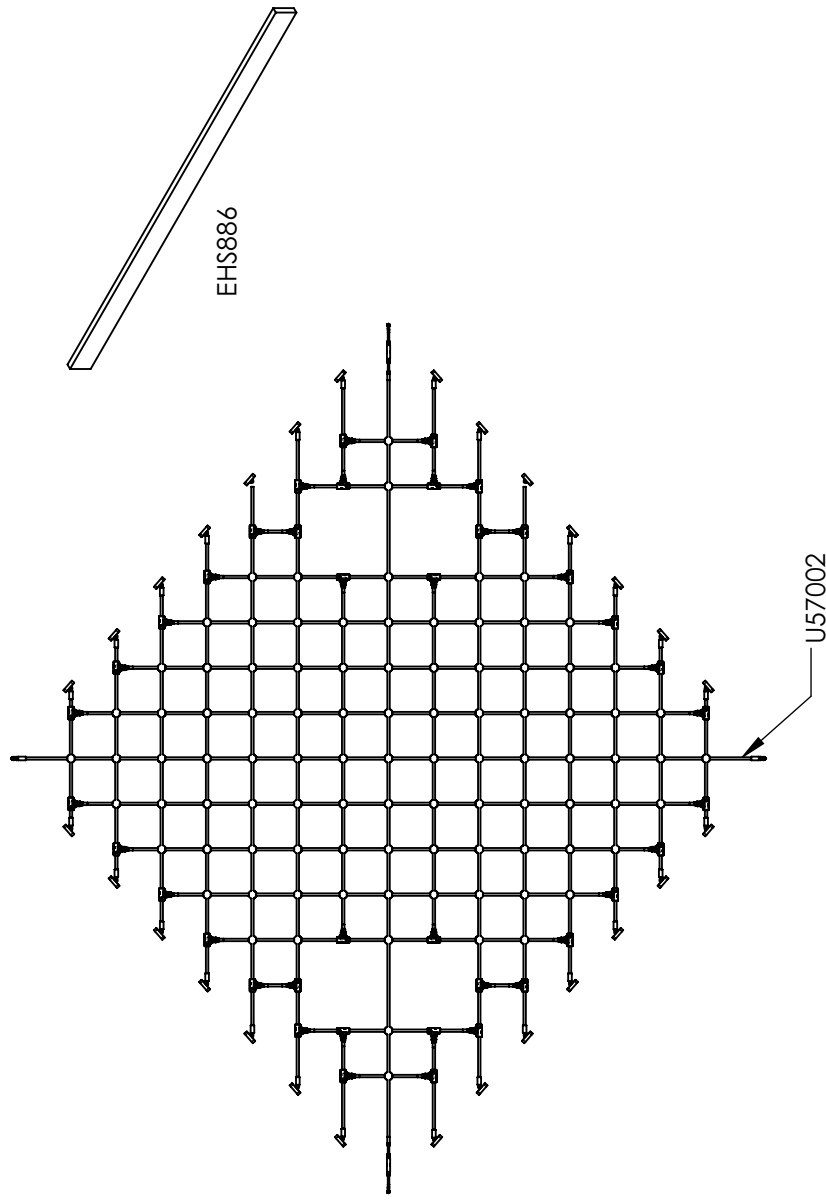
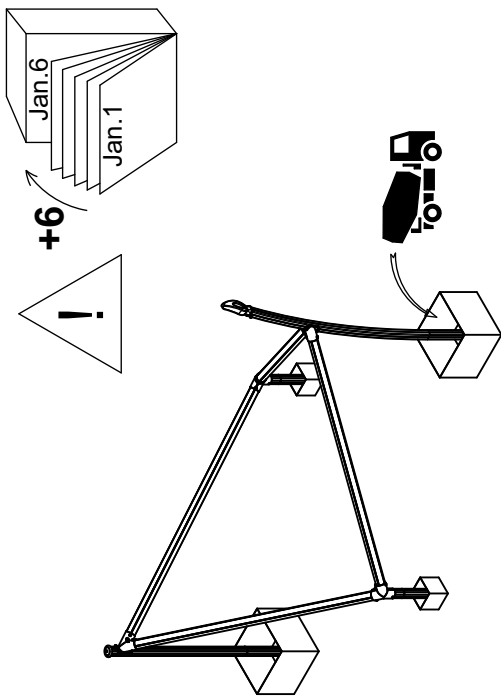
MI2503



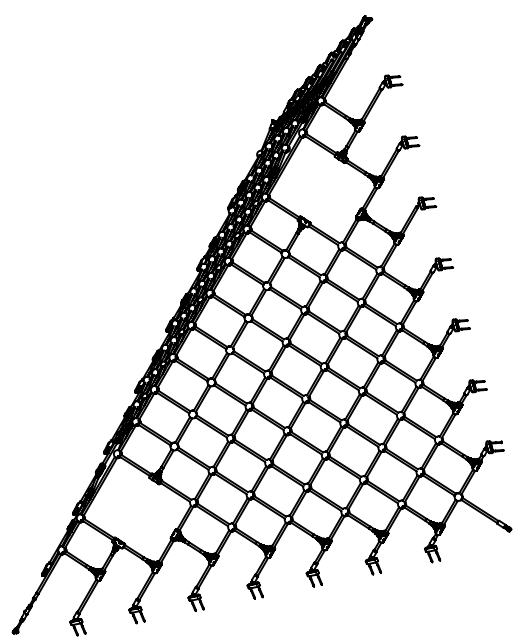
VBT



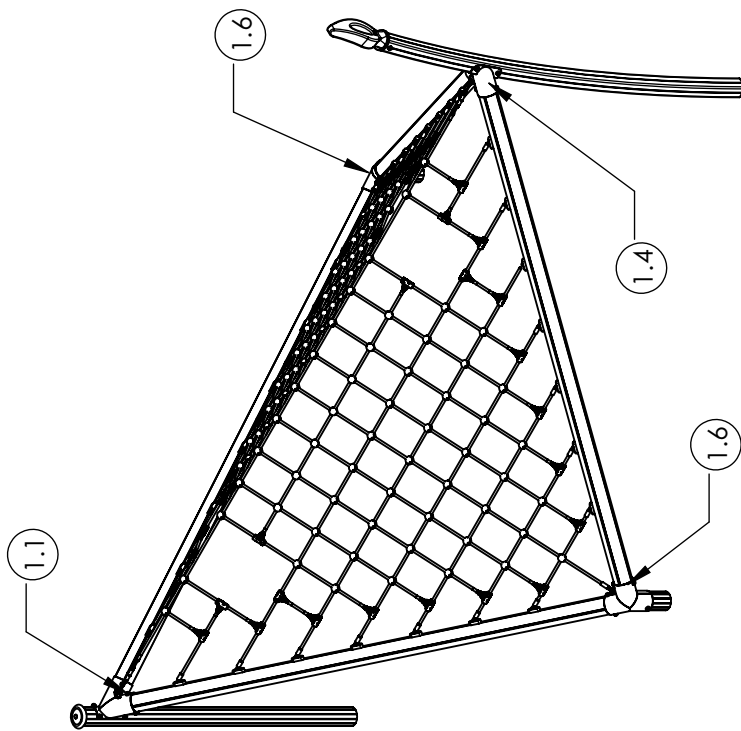
MI2701



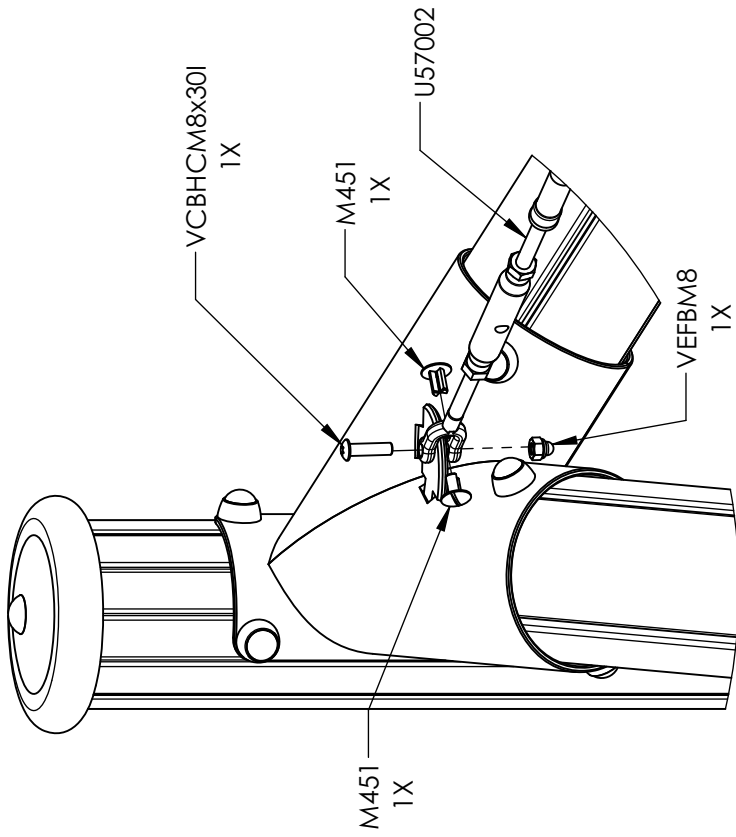
Réf	Qté
EHS866	3
U57002	1
VCBHC6x25I	2
VEBM6	2
VWT6x100	56
M451	4



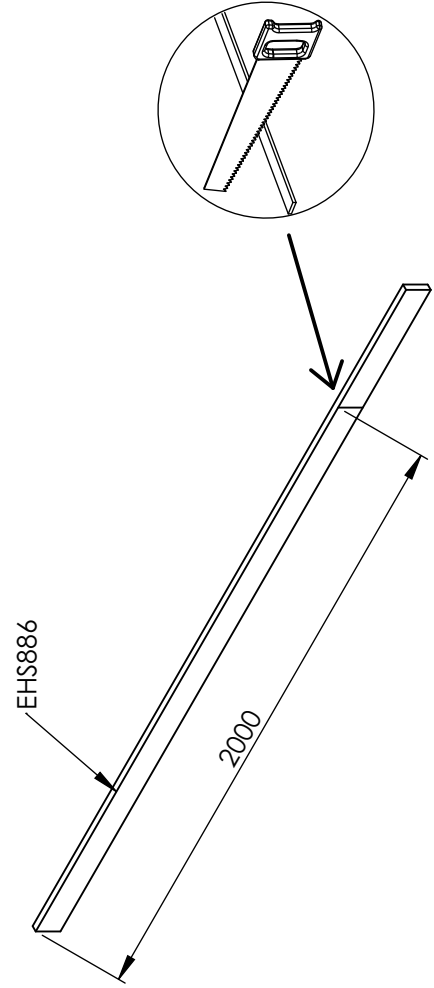
1



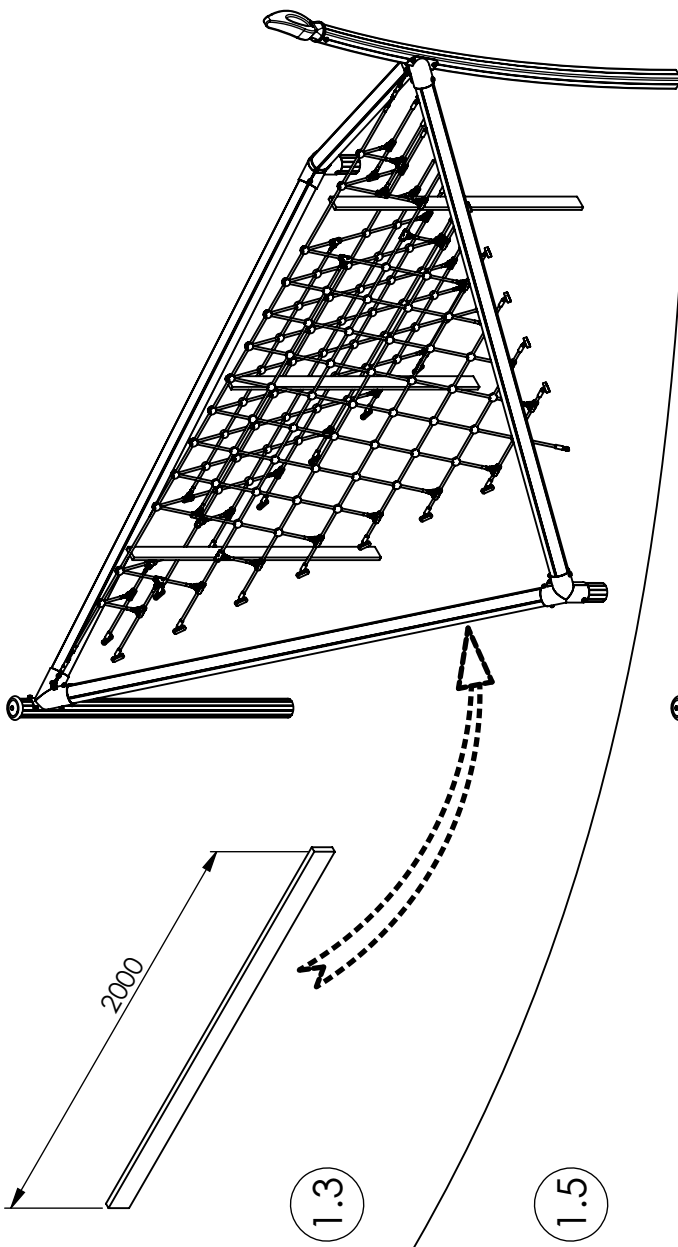
1.1



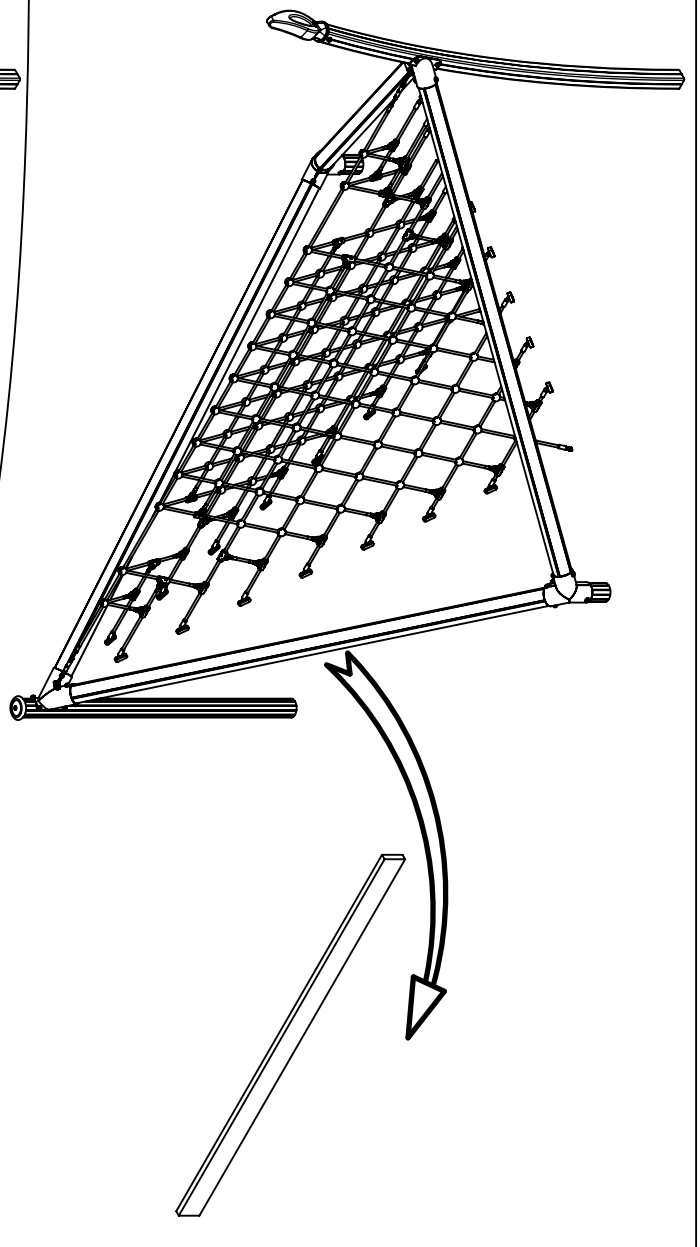
1.2



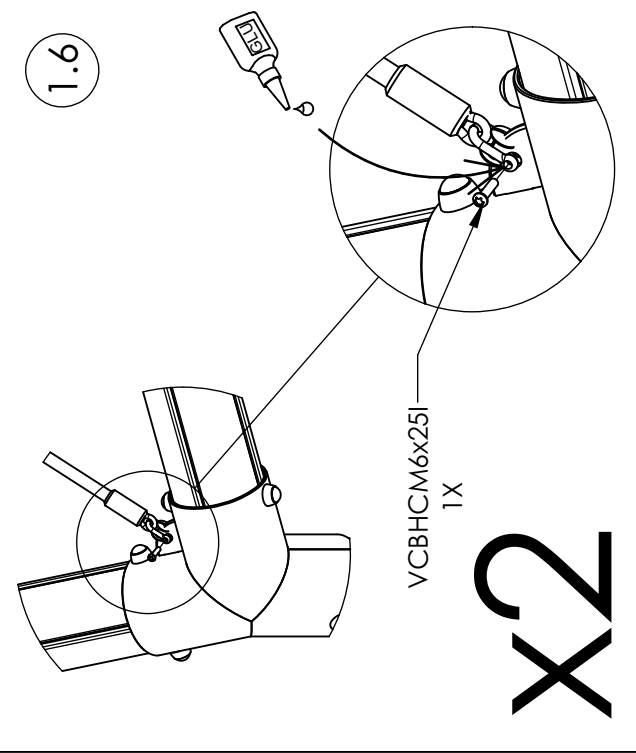
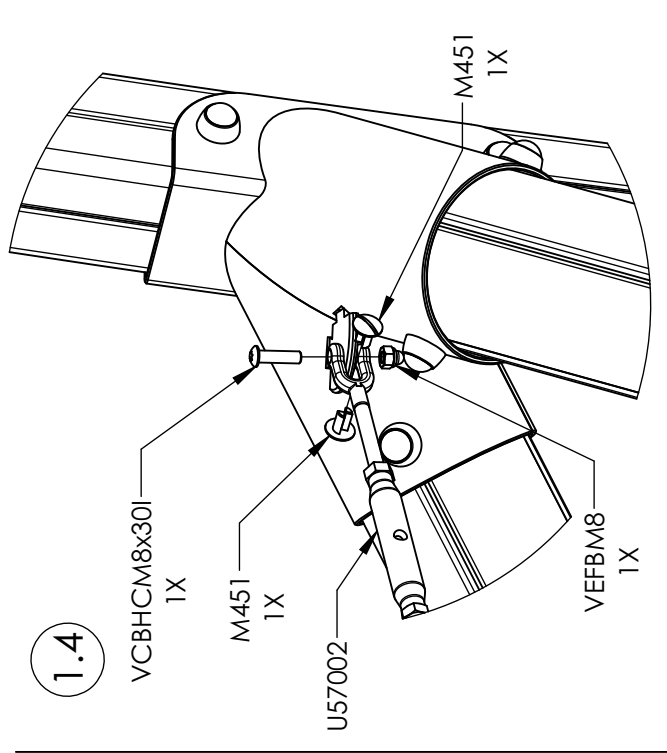
X3



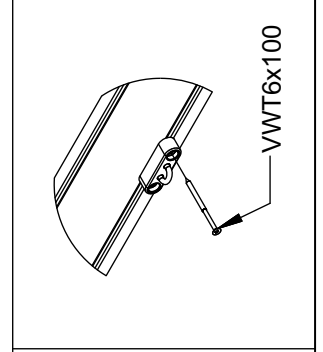
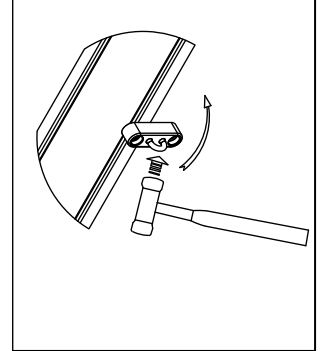
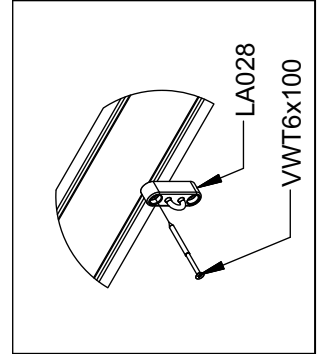
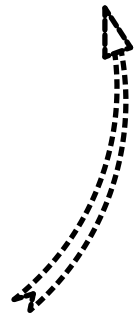
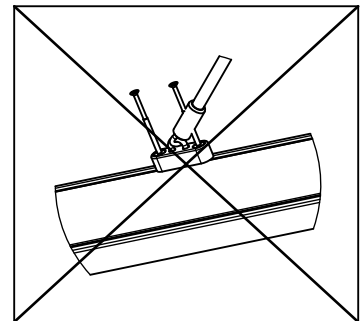
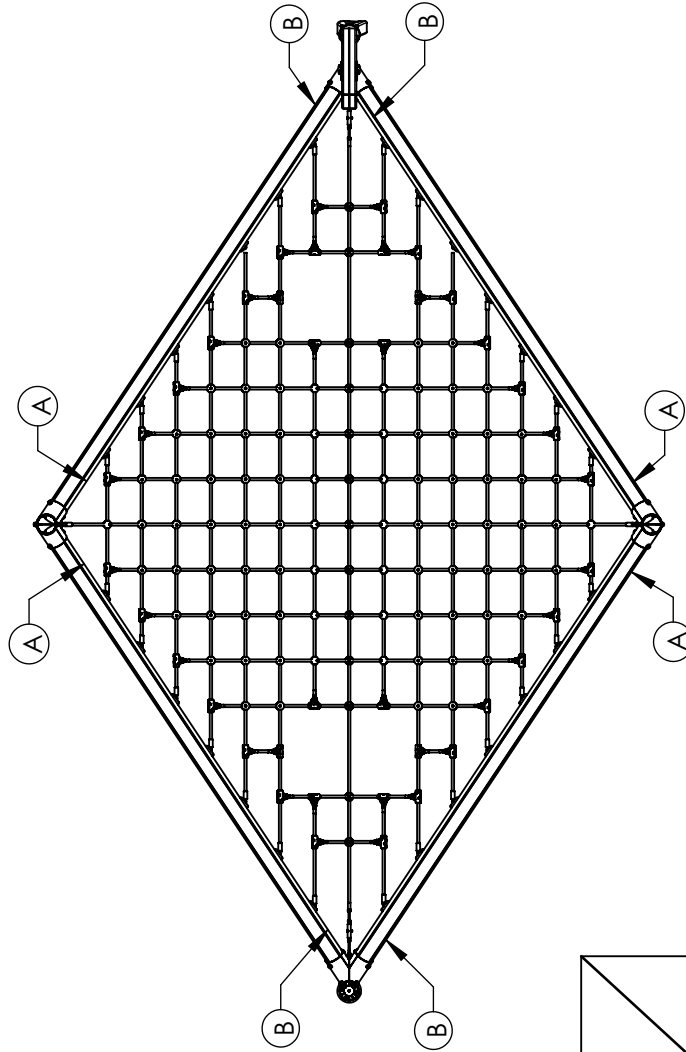
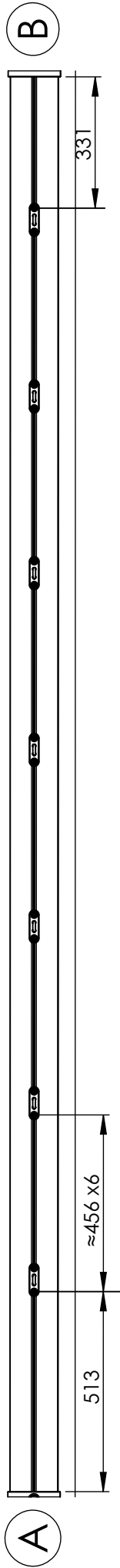
1.3



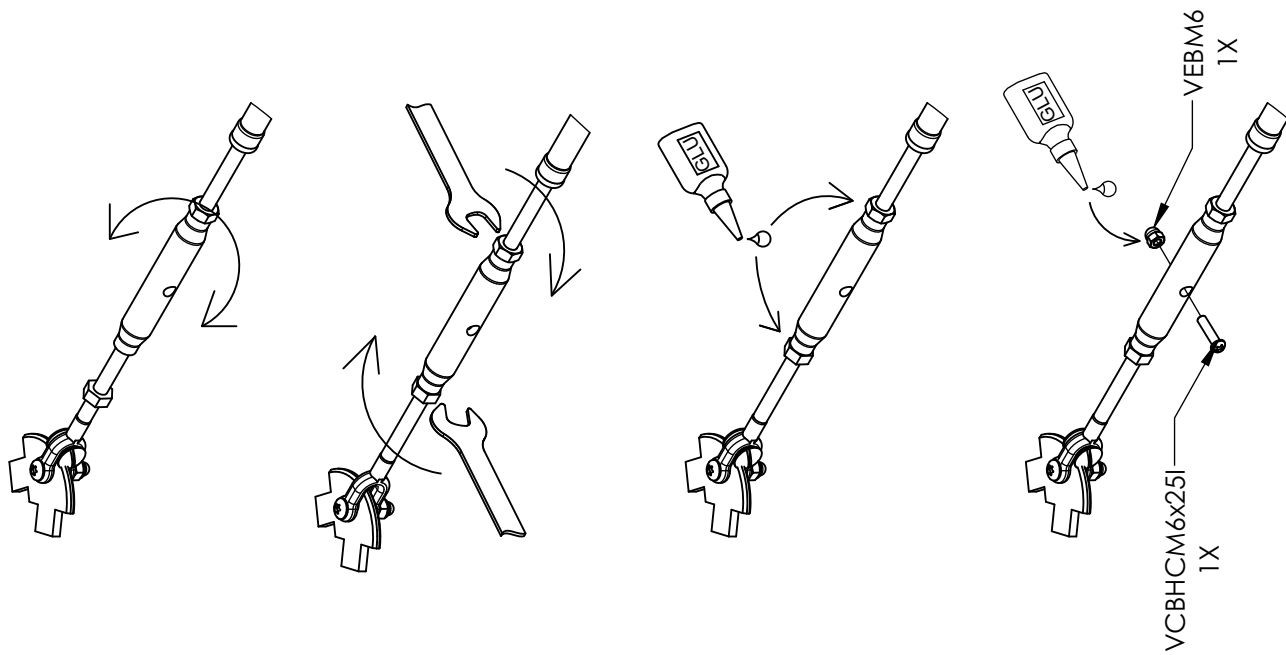
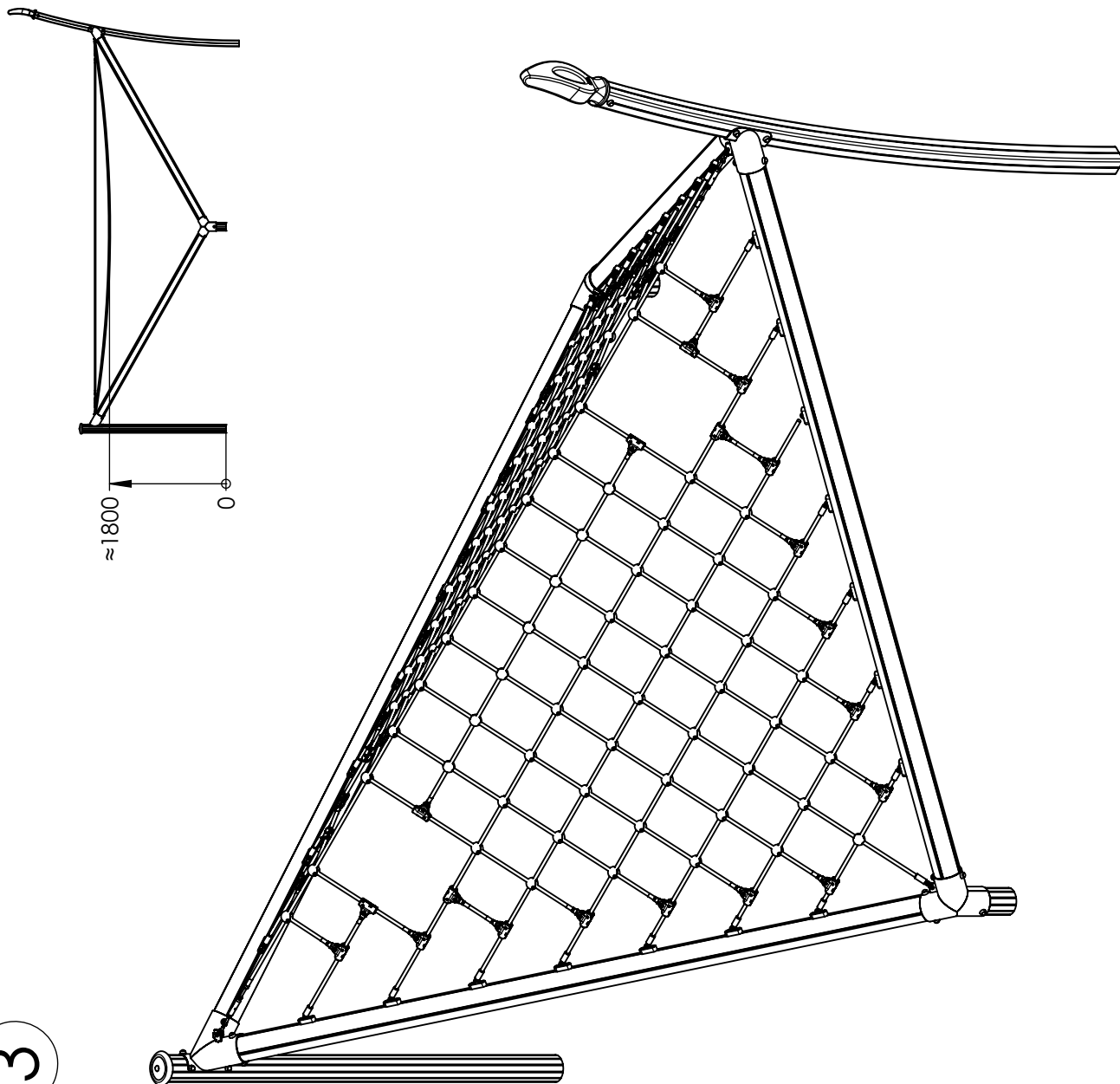
1.5



2



3

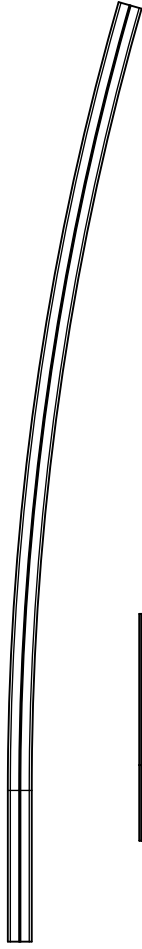




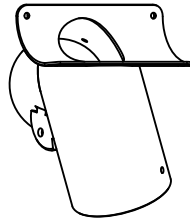
CL57054



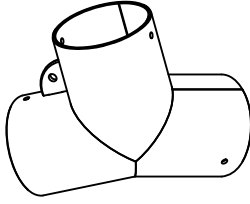
LGP5601



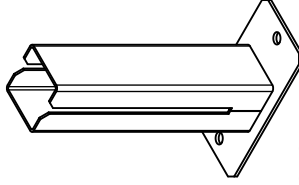
LGP57036



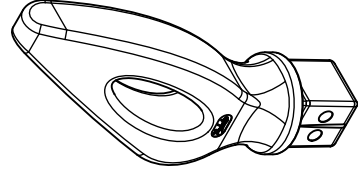
LGP57033



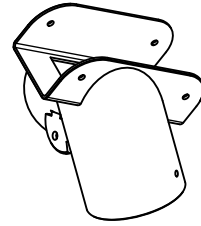
LGP57035



LGP1913



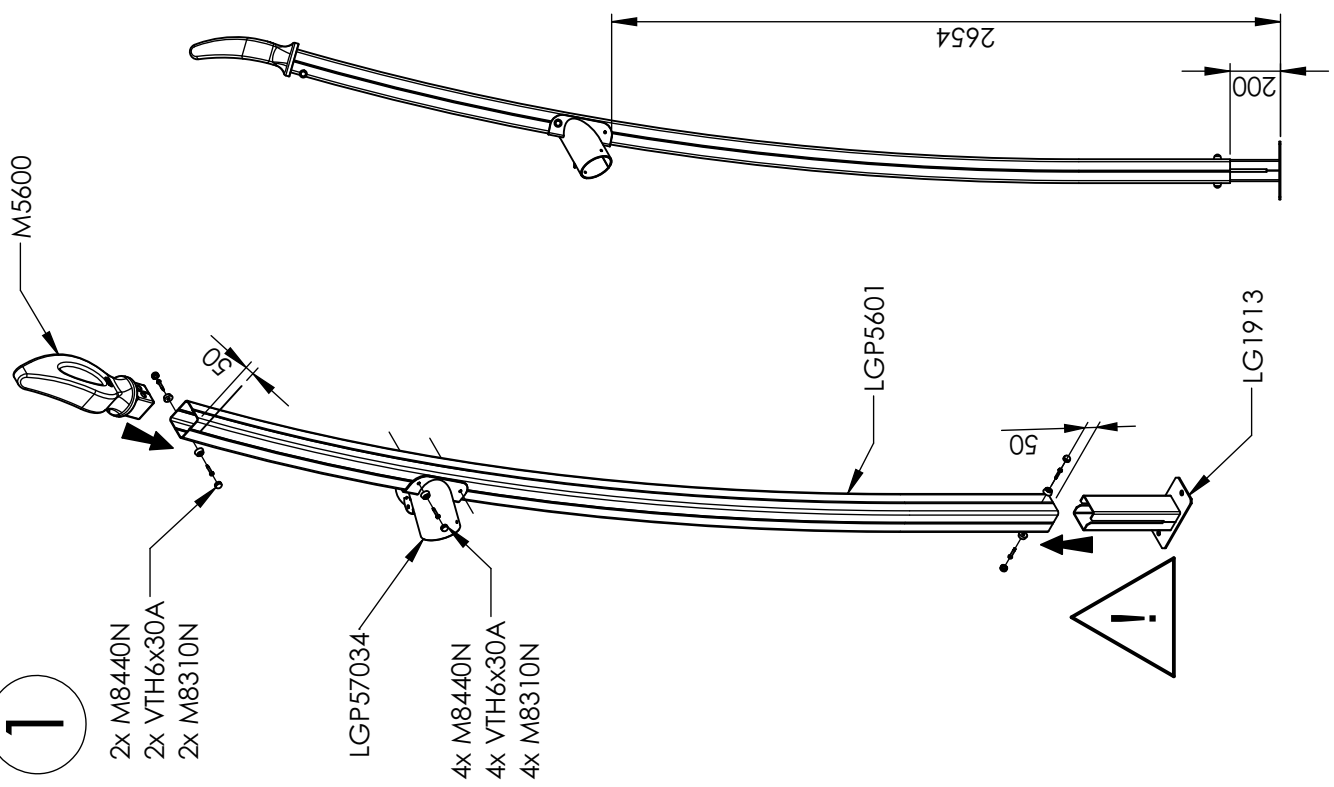
M5600



LGP57034

Réf	Qté
CL57054	4
LG1913	1
LGP5601	1
LGP57033	1
LGP57034	1
LGP57035	2
LGP57036	2
M5600	1
M8310N	32
M8440N	32
VB17x60	16
VTH6x30A	16

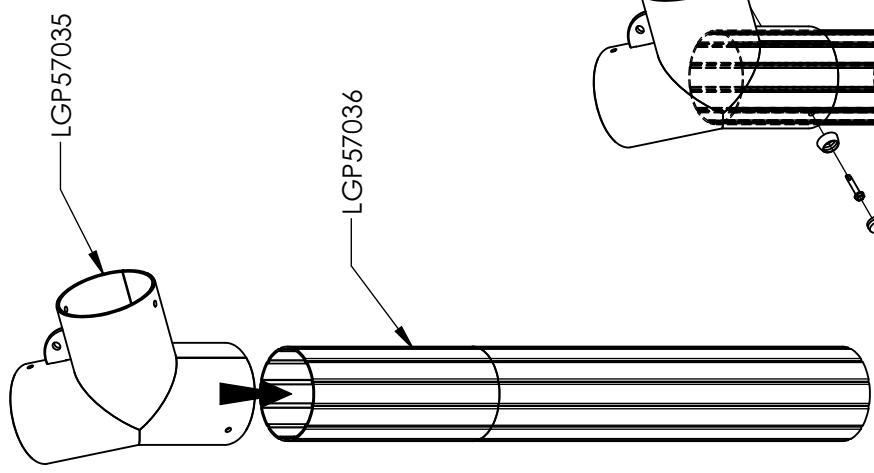
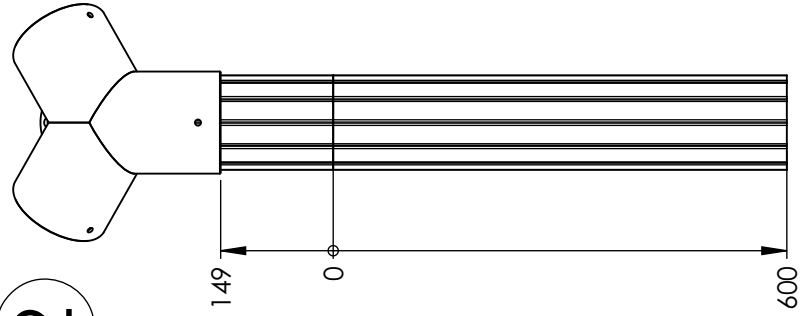
1



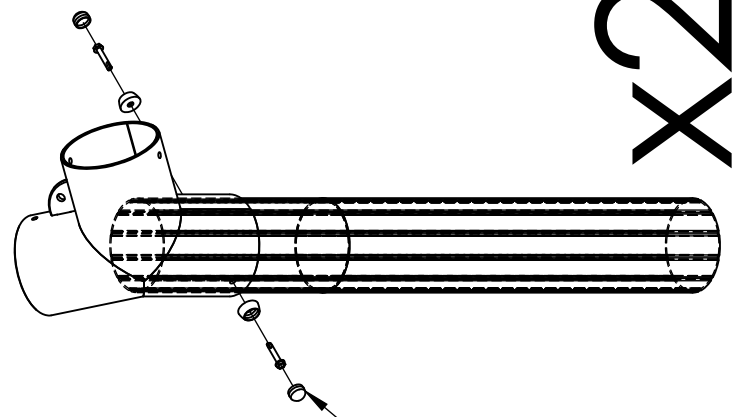
- 2x M8440N
- 2x VTH6x30A
- 2x M8310N

- LGP57034
- 4x M8440N
- 4x VTH6x30A
- 4x M8310N

2



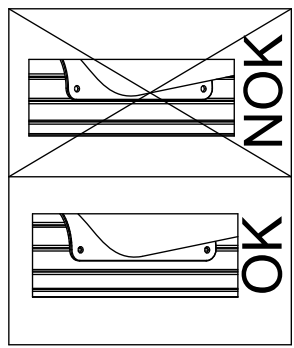
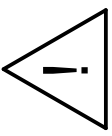
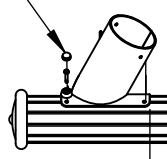
- 2x M8440N
- 2x VTH6x30A
- 2x M8310N



X2

3

4x M8440N
4x VTH6x30A
4x M8310N

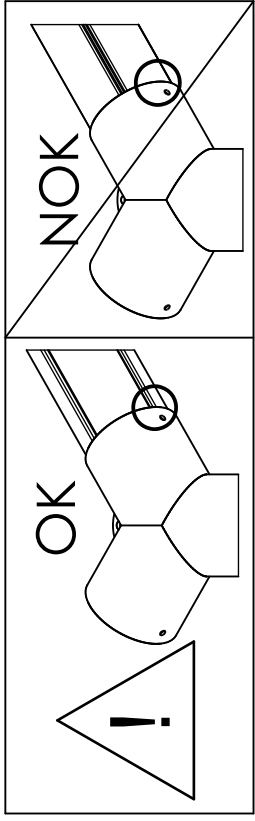
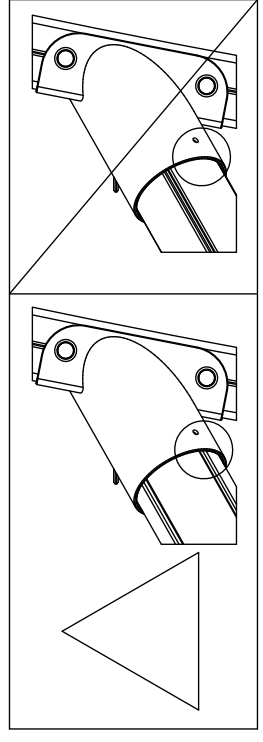
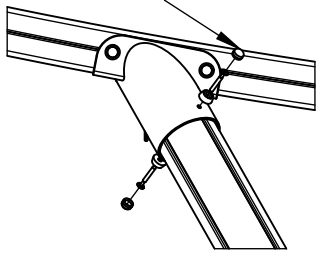
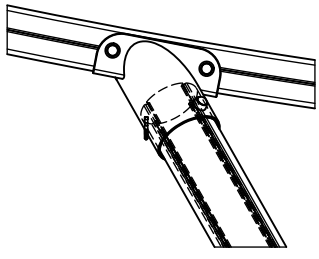


LGP57037

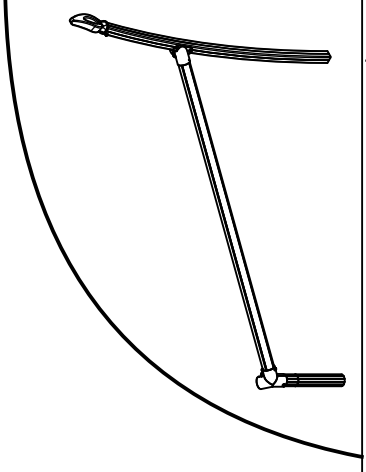
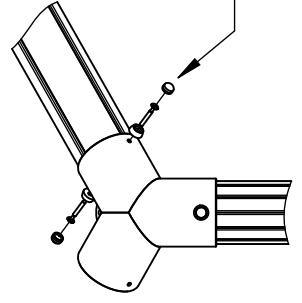
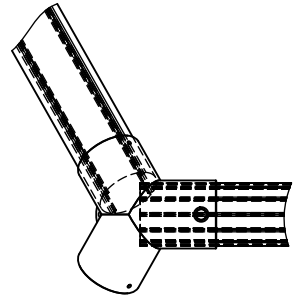
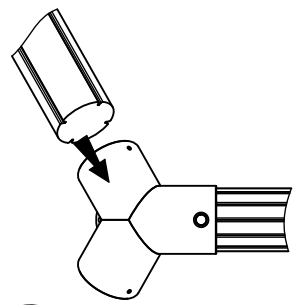
3/8

4

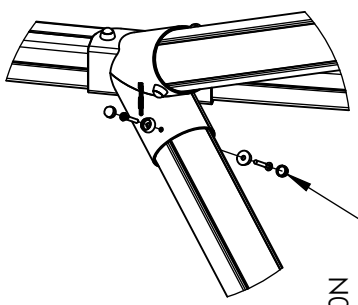
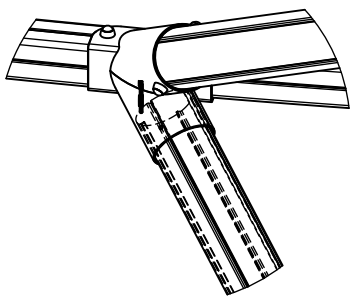
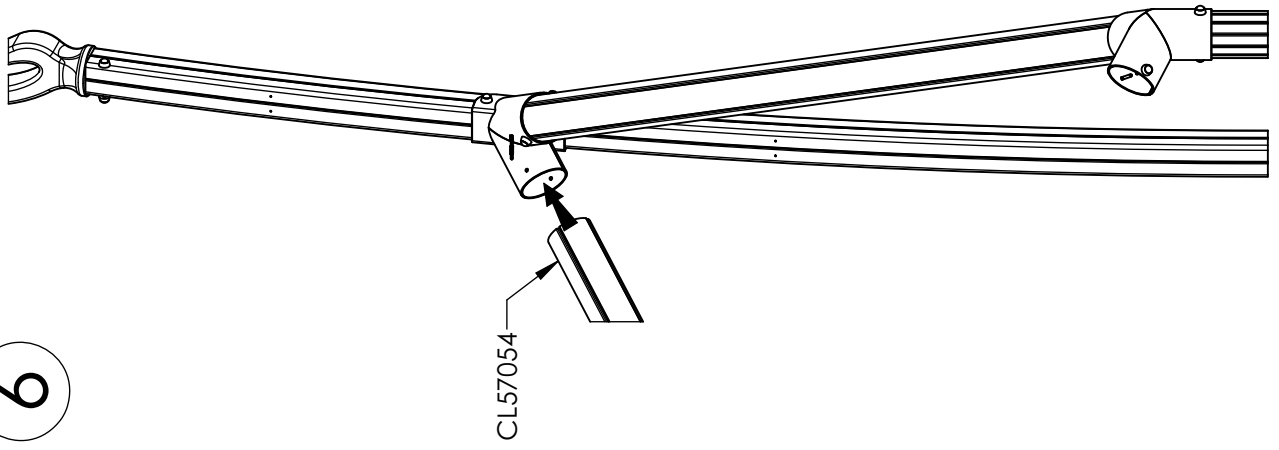
CL57054



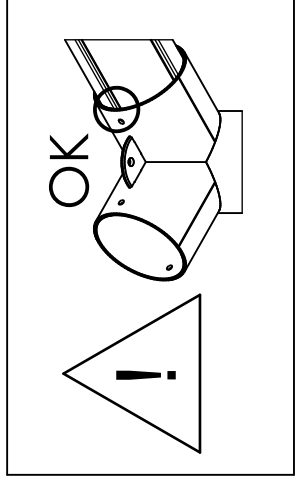
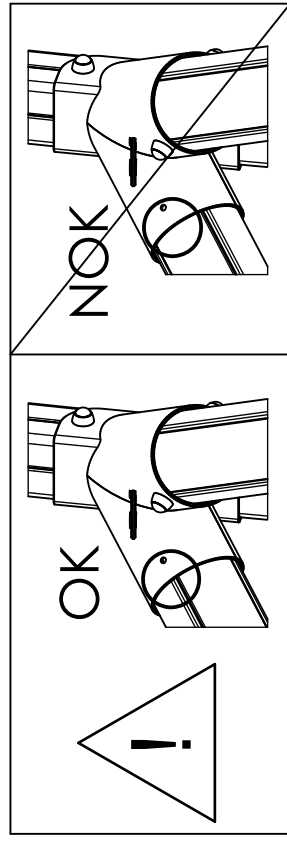
5



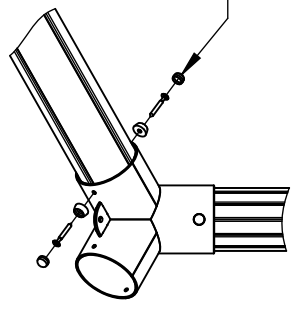
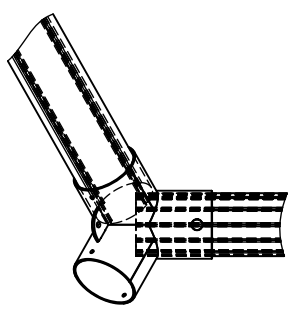
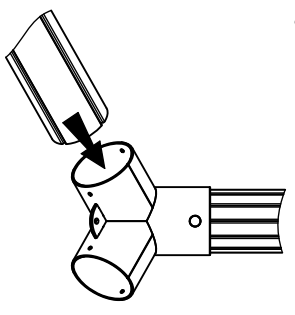
6



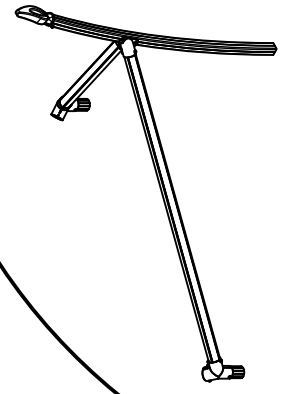
2x M8310N
2x VBT7x60
2x M8440N



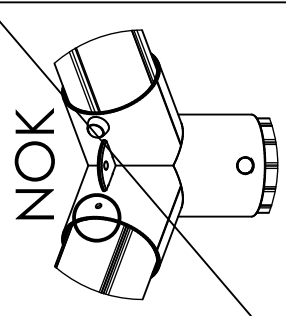
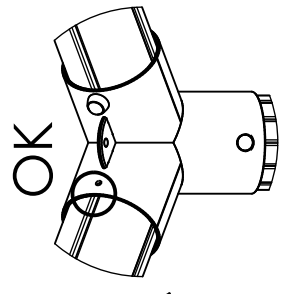
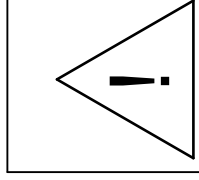
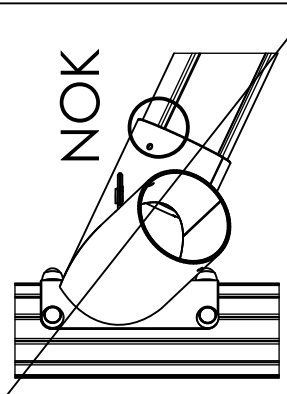
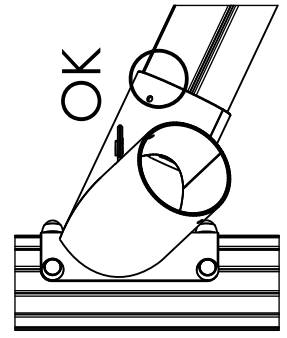
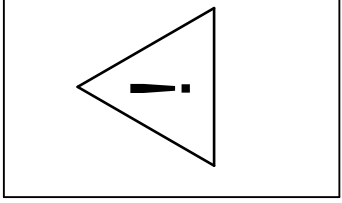
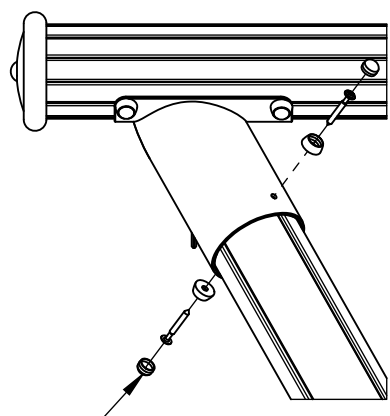
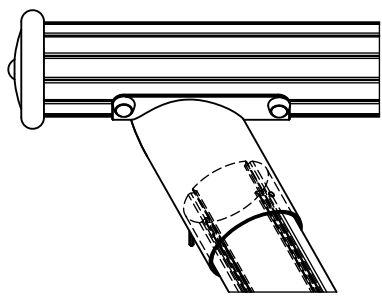
7



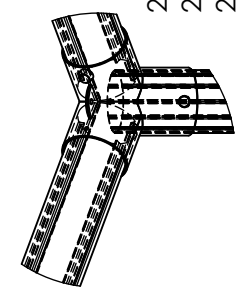
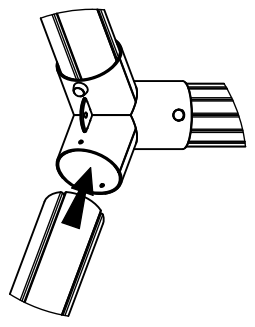
2x M8440N
2x VBT7x60
2x M8310N



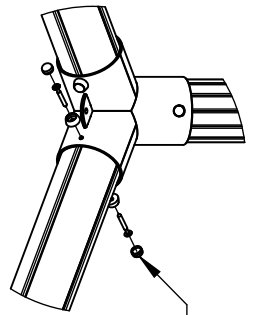
8



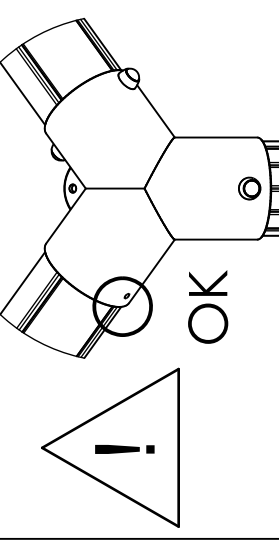
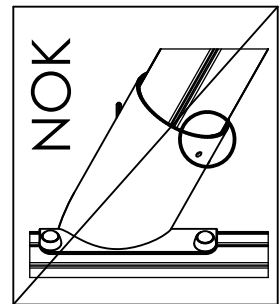
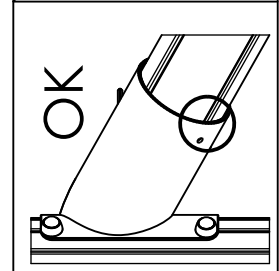
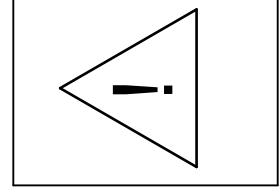
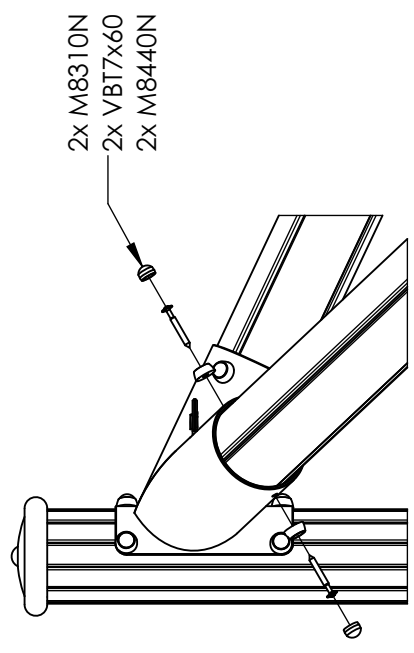
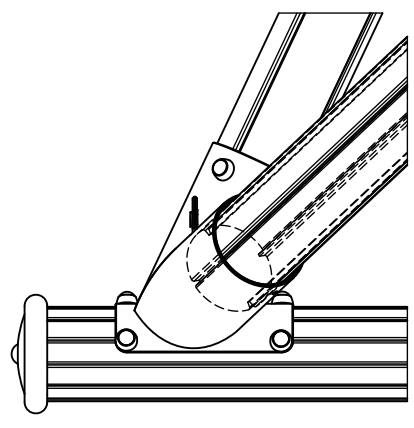
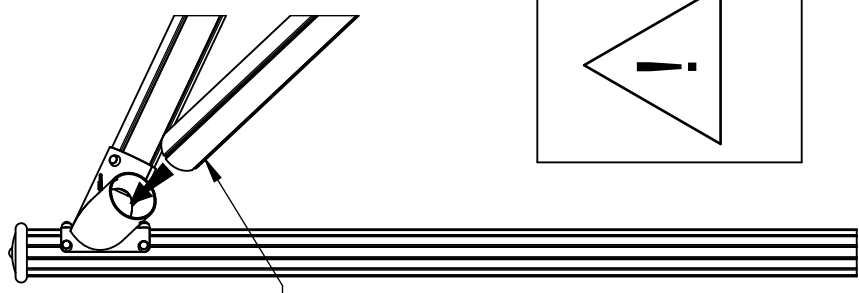
9



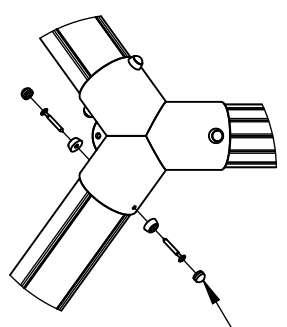
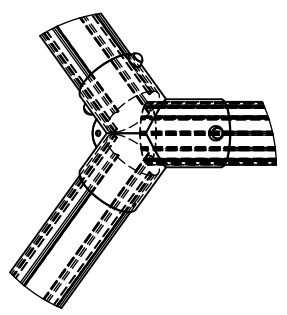
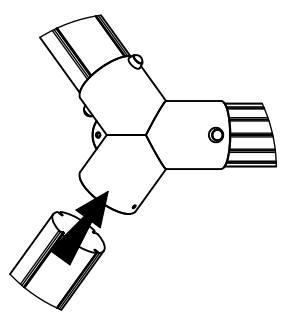
2x M8310N
2x VBT7x60
2x M8440N



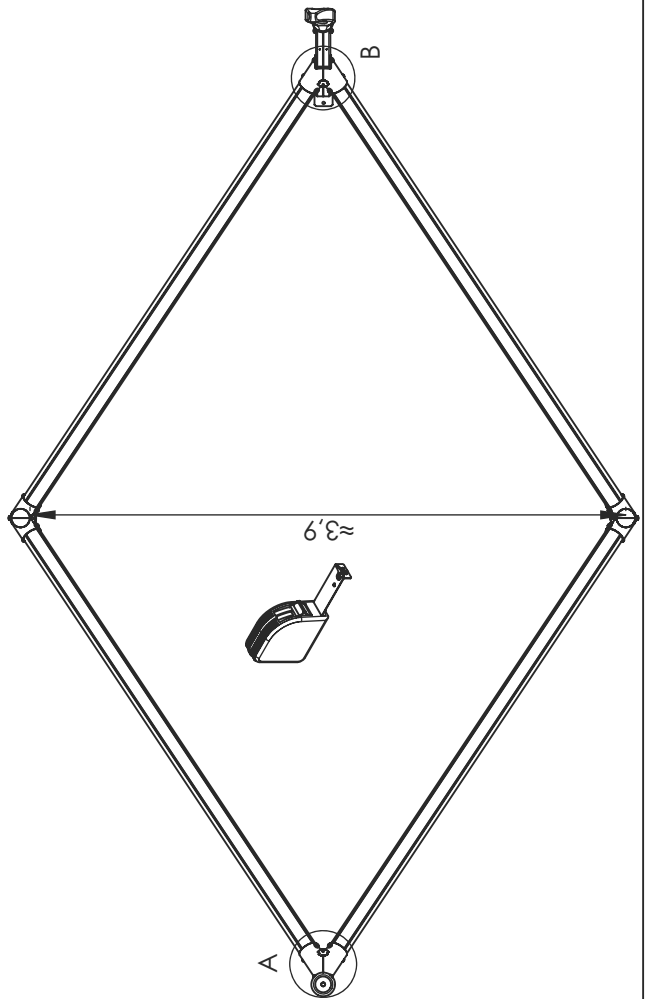
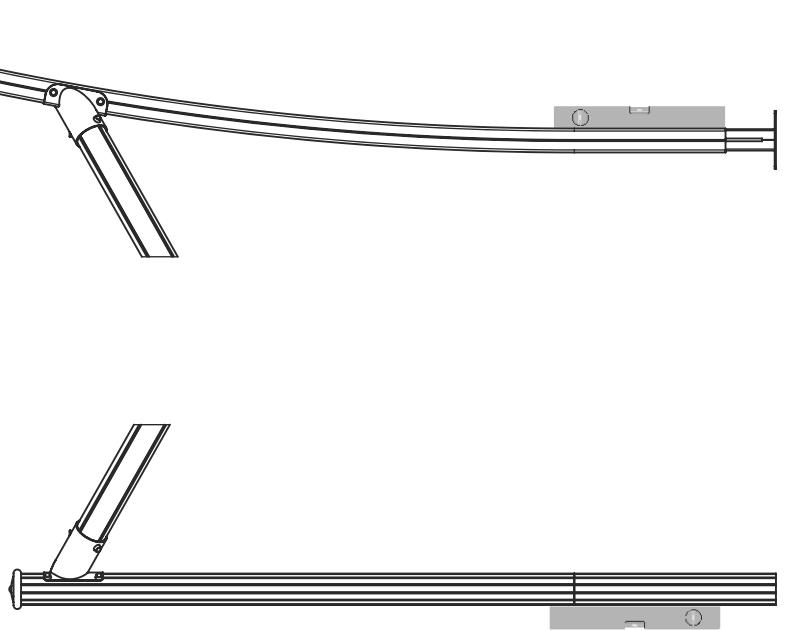
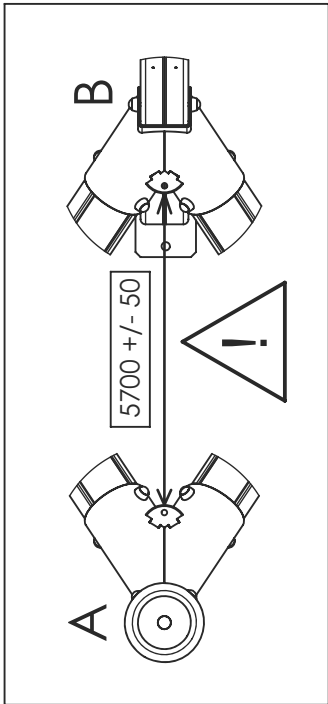
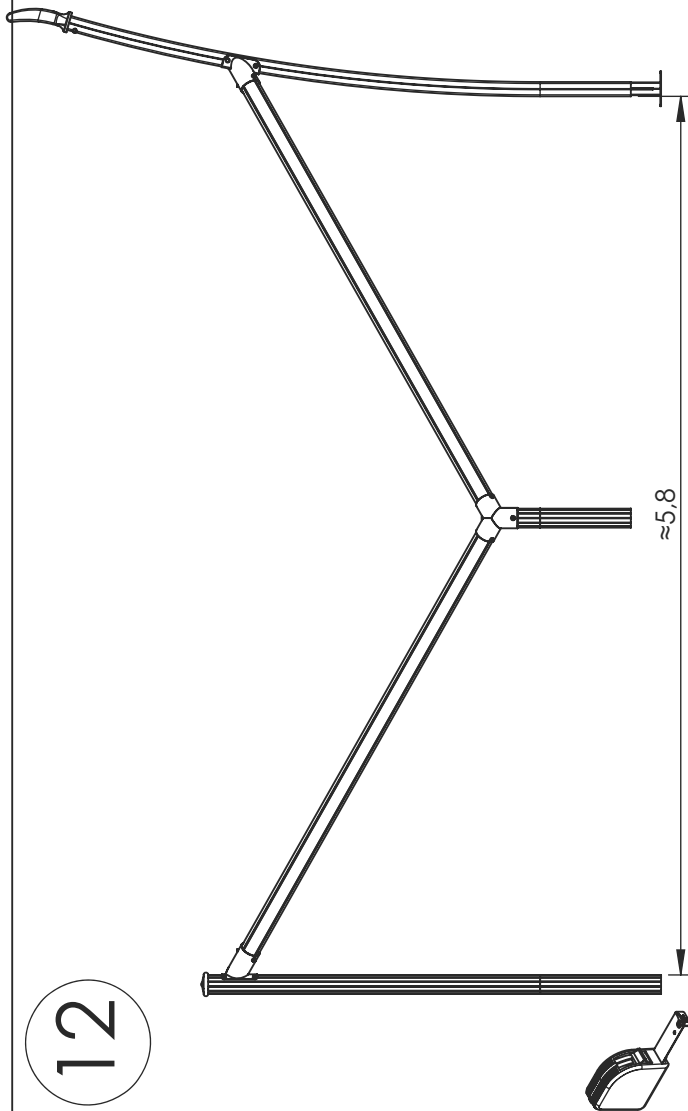
10



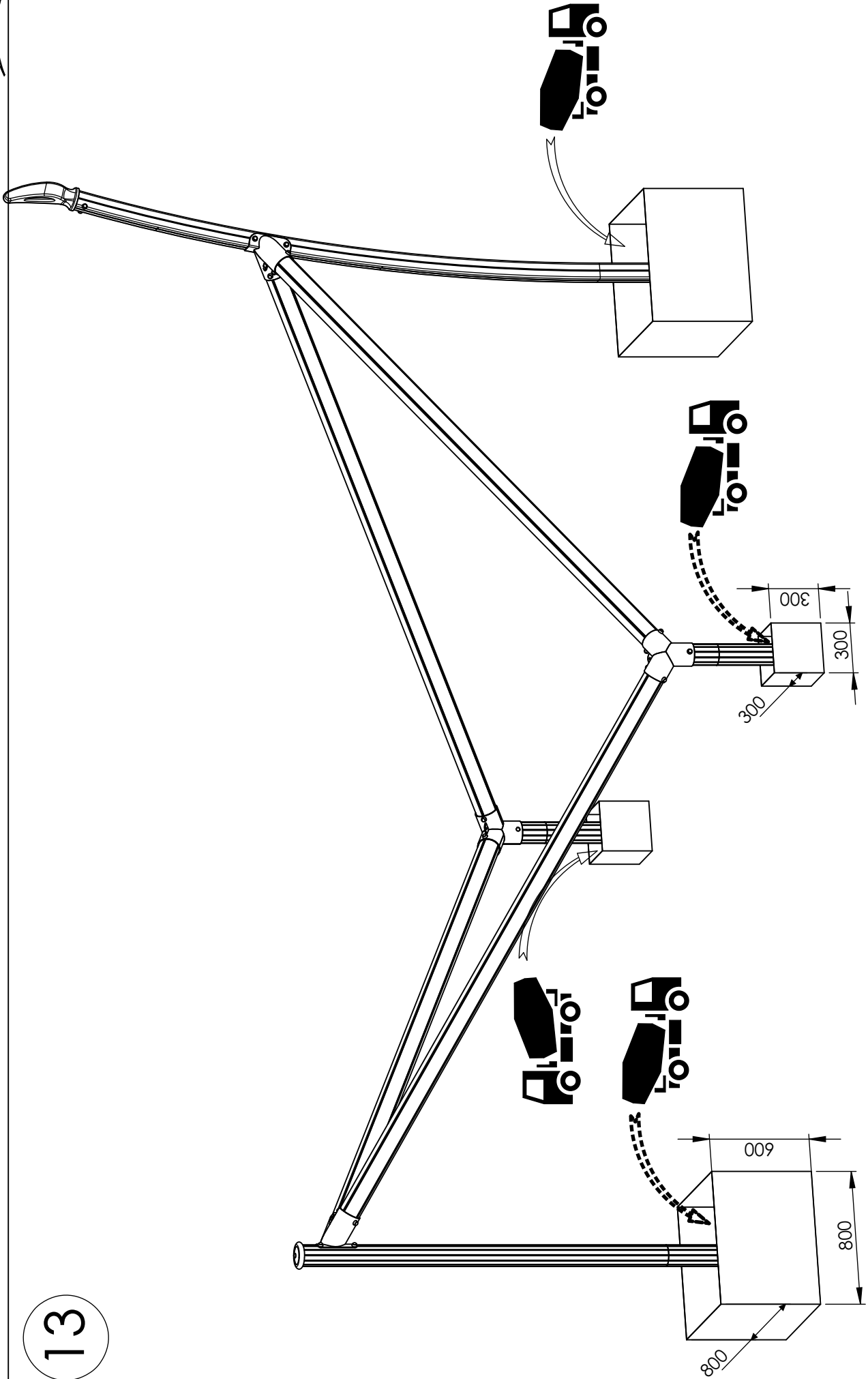
11

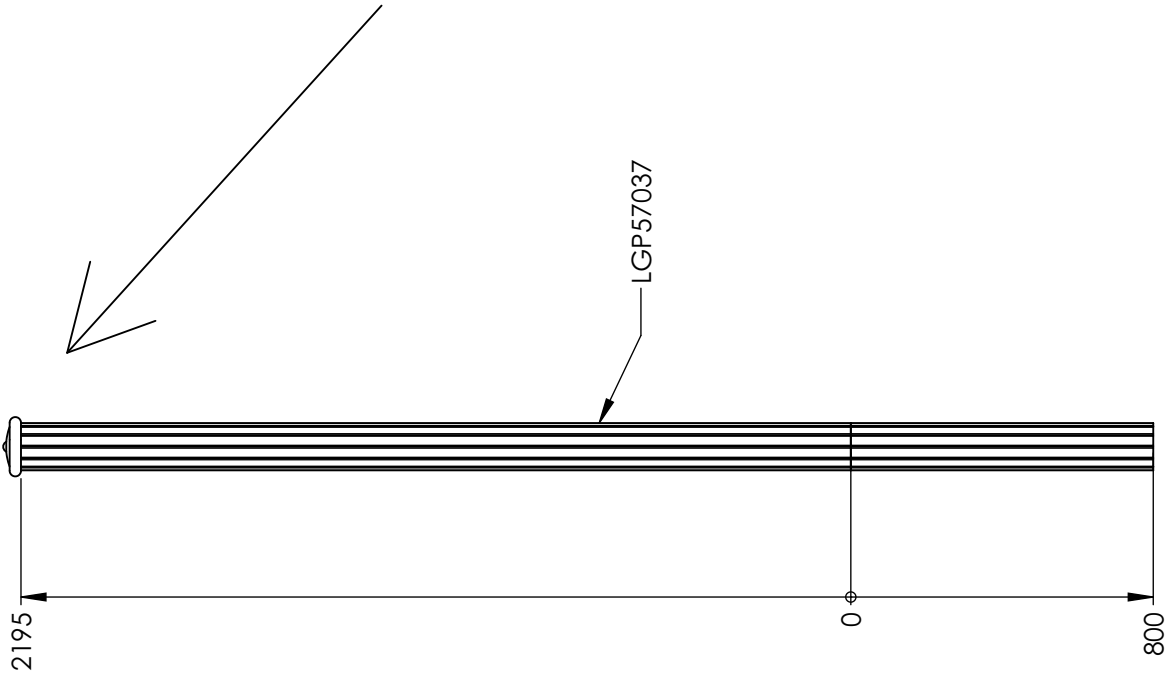
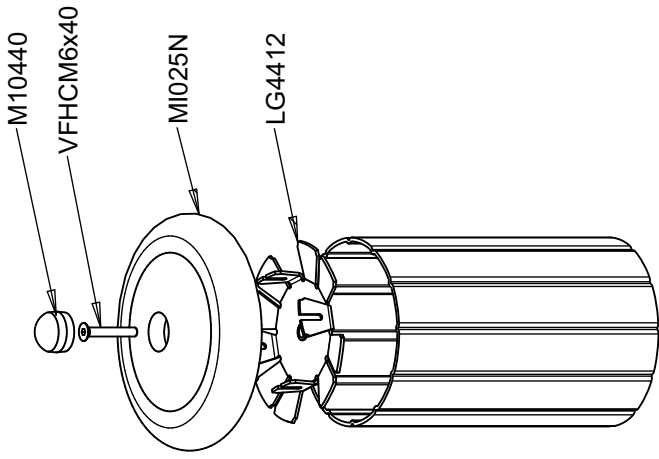


12

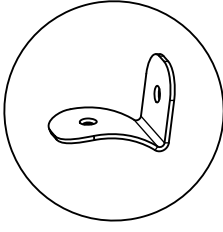
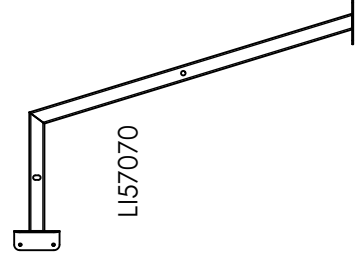
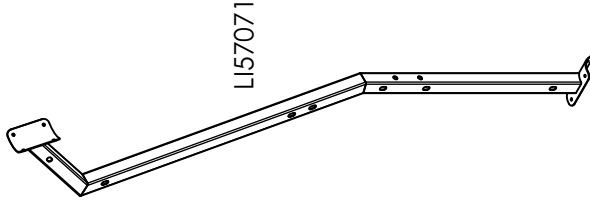
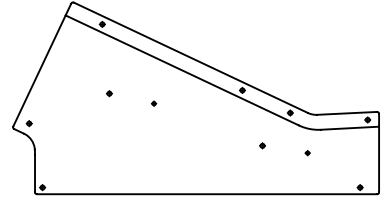
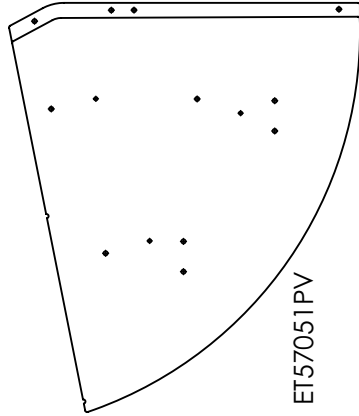
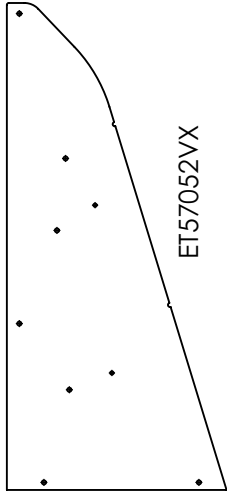
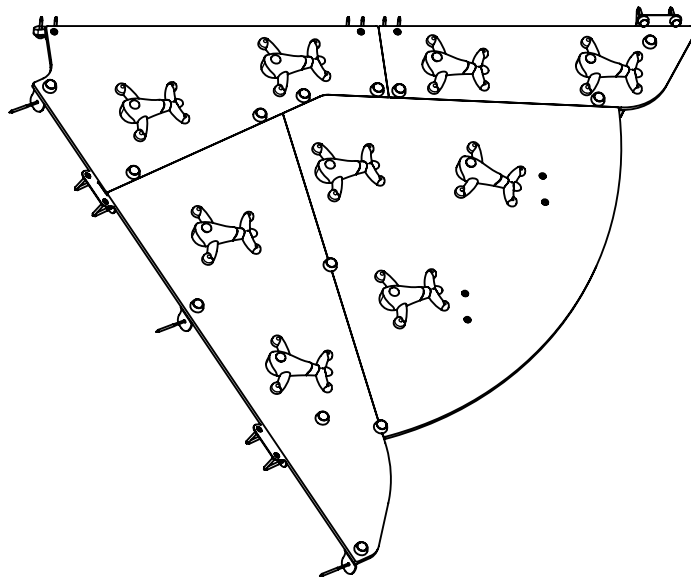


13



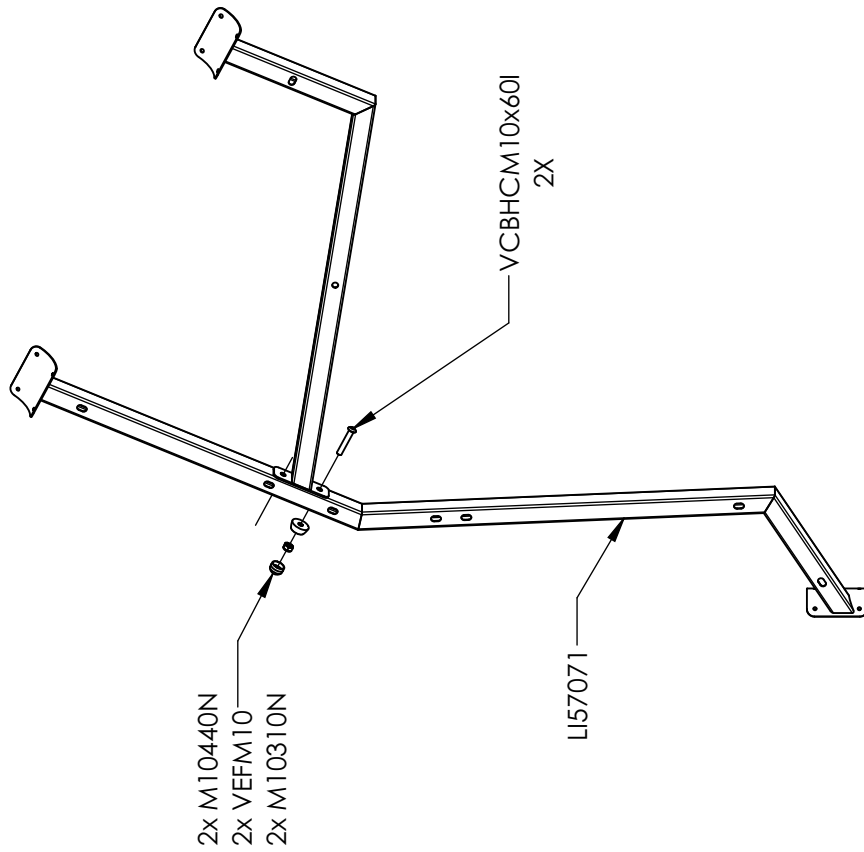


REF	QTE
LG4412	1
LGP57037	1
M10440N	1
MI025N	1
VFHCM6x40	1

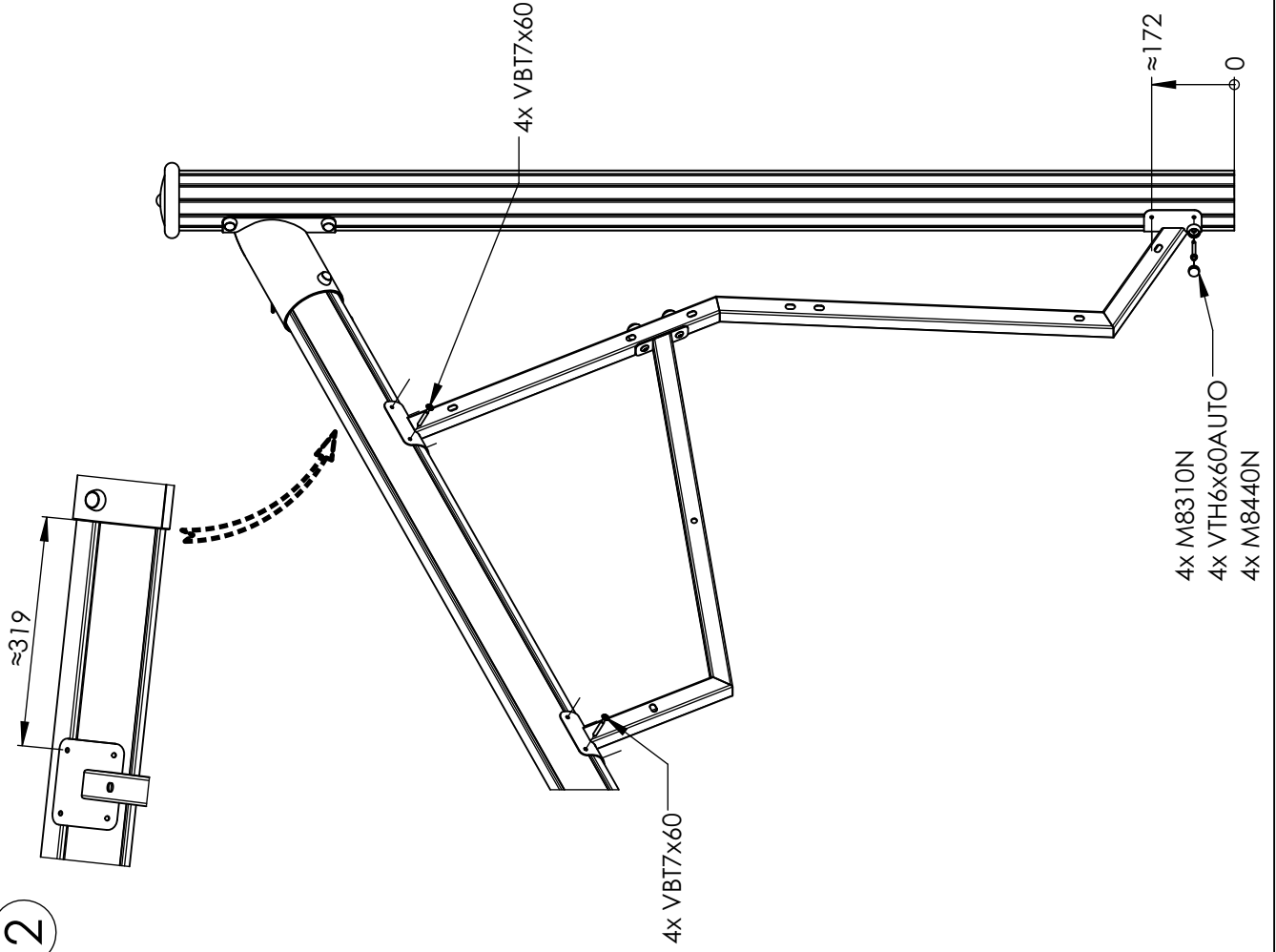


Réf	Qté
ET57049CH	1
ET57050CH	1
ET57051PV	1
ET57052VX	1
LI57070	1
LI57071	1
M100VJ	9
M8310N	12
M8440N	12
M10310N	28
M10440N	46
M14700	3
PI57039	3
VBT6x20	8
VBT7x60	8
VCBHC10x30I	11
VCBHC10x60I	2
VCBHC10x70I	9
VEFM10	31
VTH6x30A	6
VTH6x60 AUTO	4
VTRCC10x60	9
VWT6x100	3

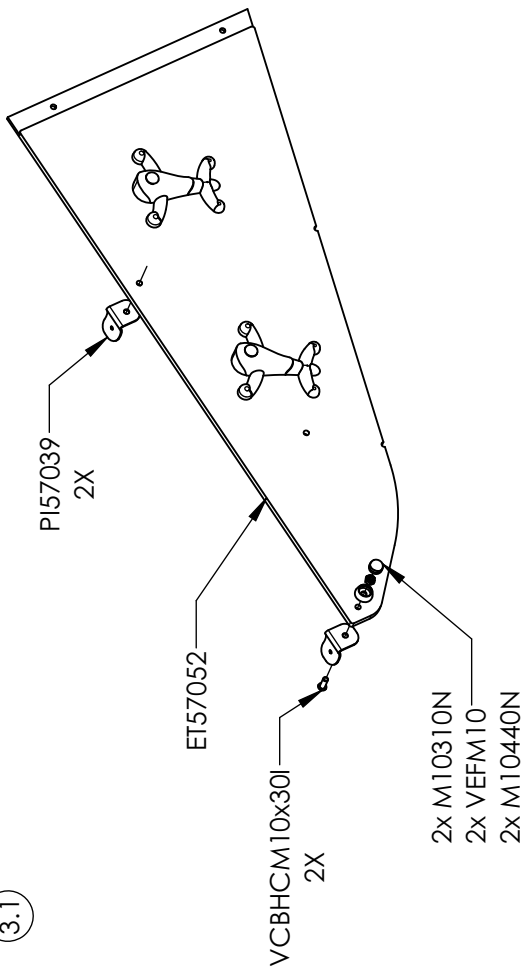
1



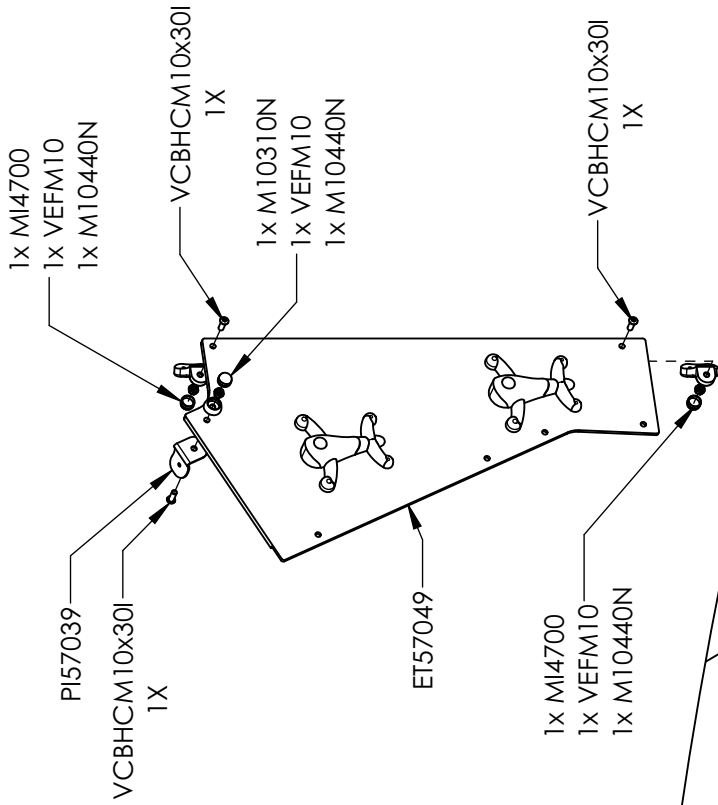
2



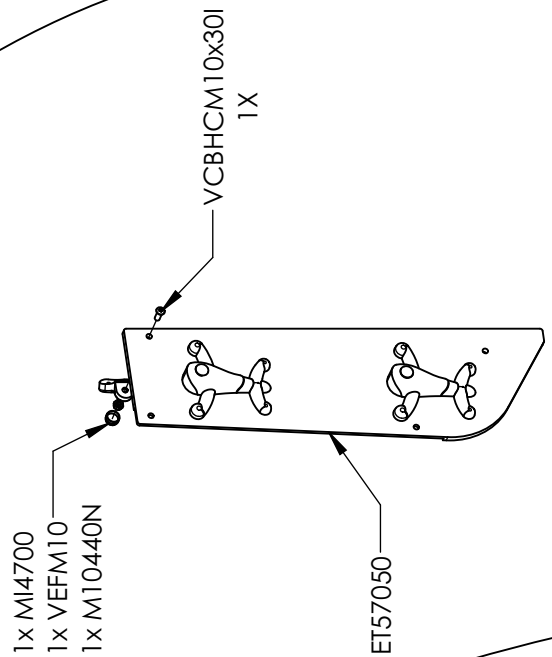
3.1



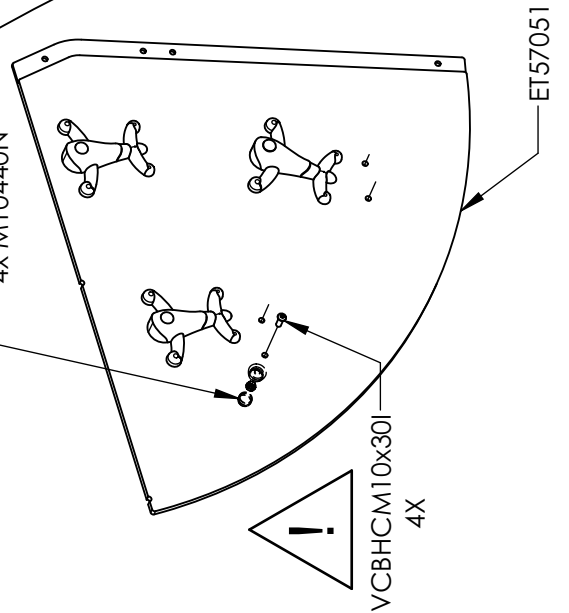
3.2



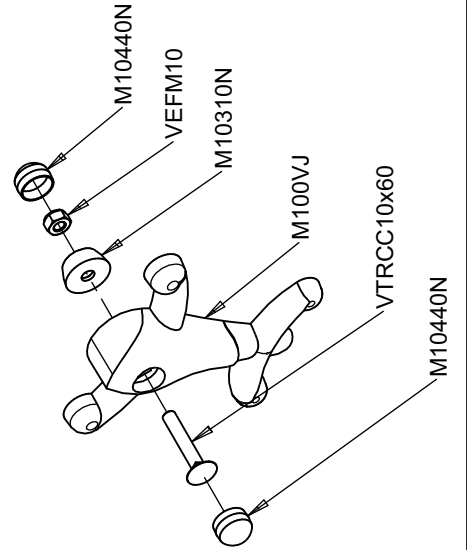
3.4



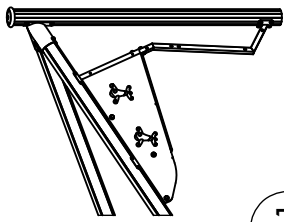
3.3



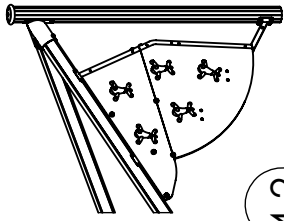
A



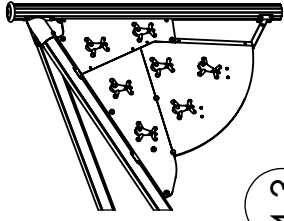
4



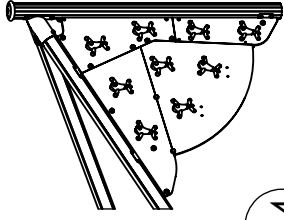
4.1



4.2

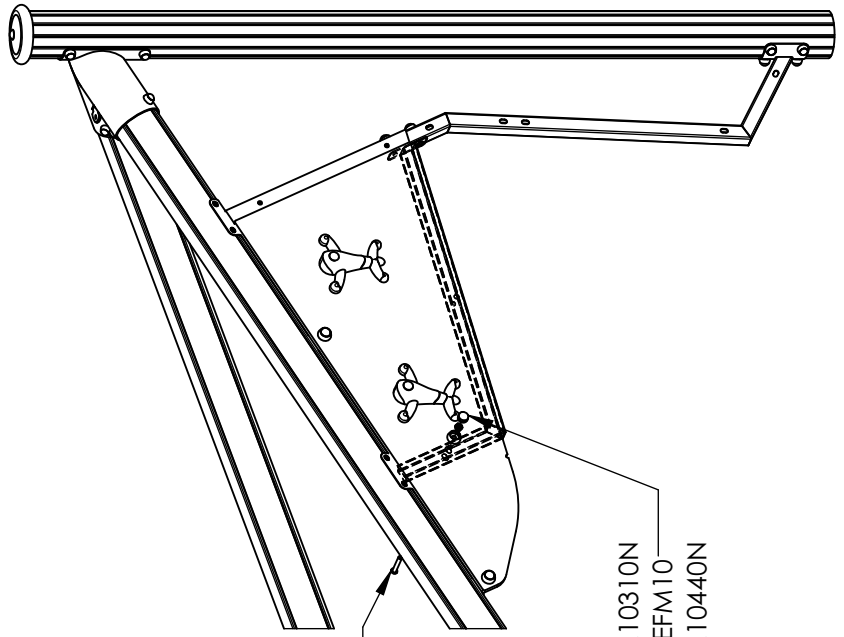


4.3



4.4

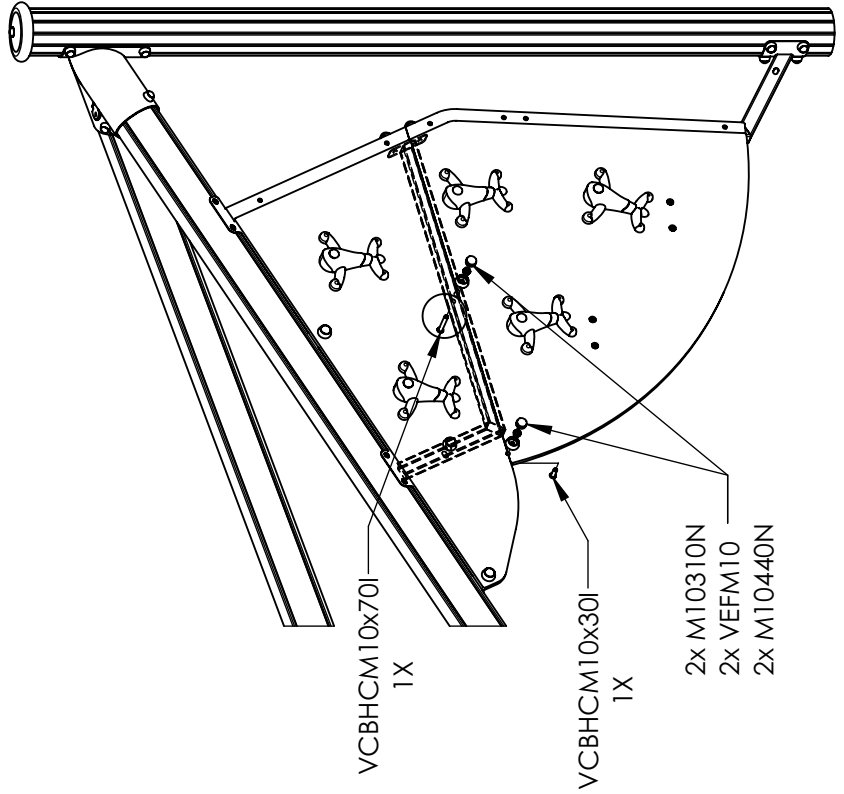
4.1



VCBHC M10x70I
1X

1x M10310N
1x VEFM10
1x M10440N

4.2

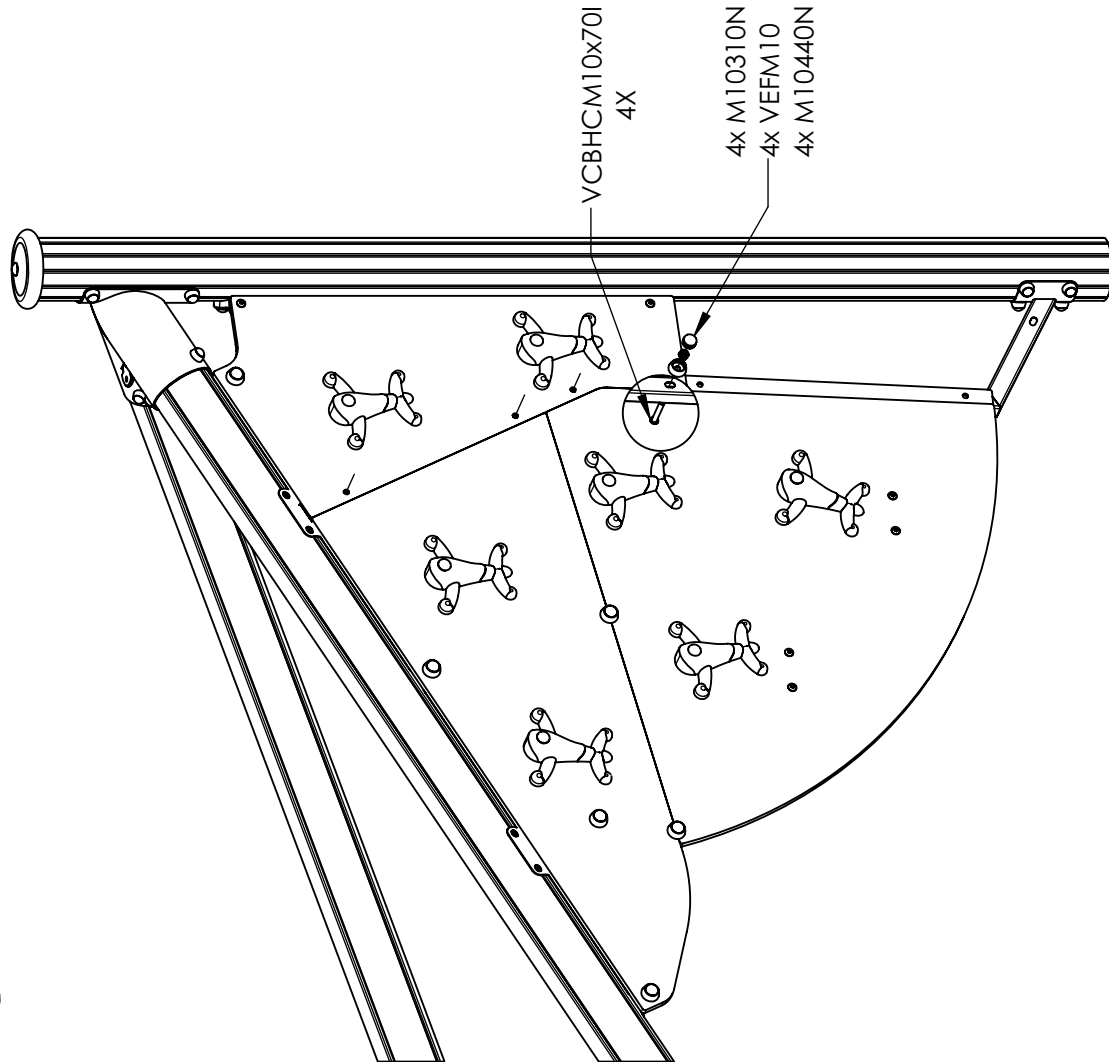


VCBHC M10x70I
1X

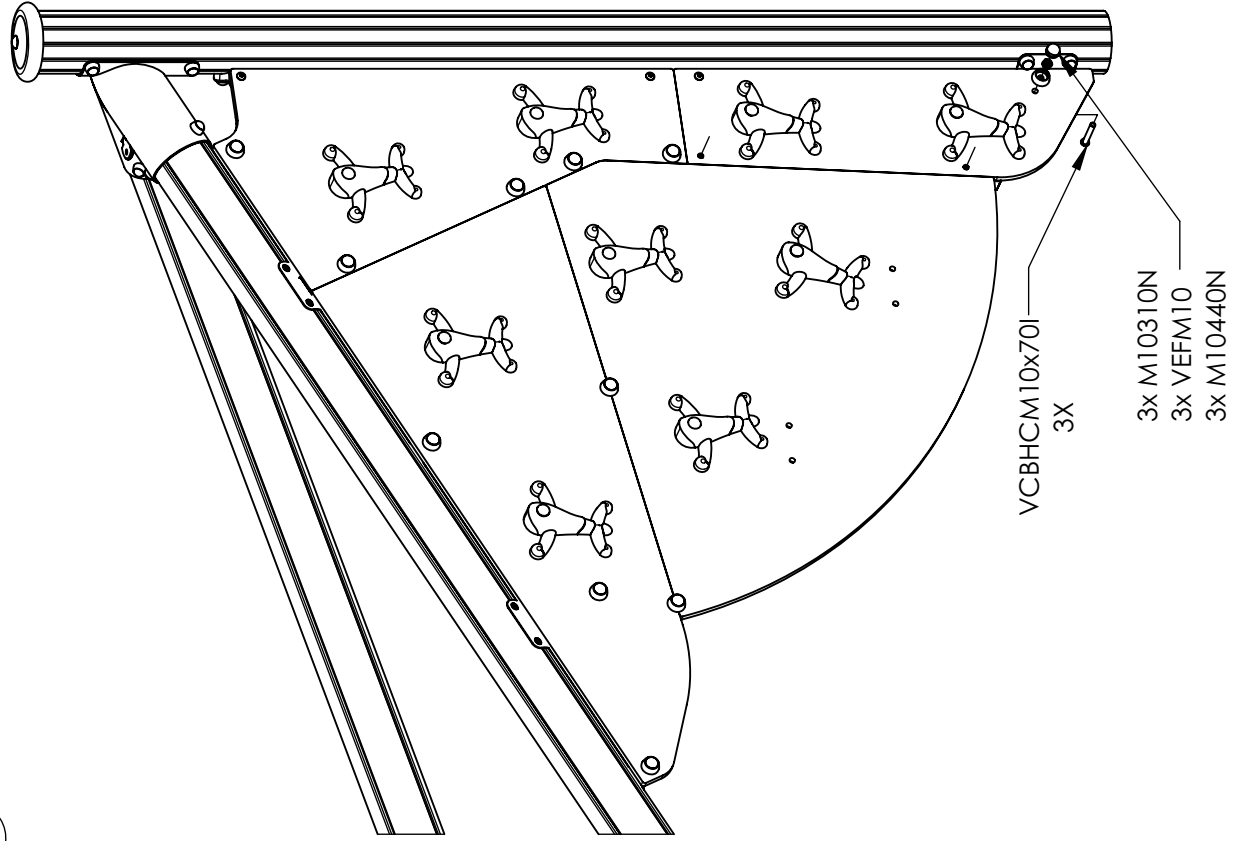
VCBHC M10x30I
1X

2x M10310N
2x VEFM10
2x M10440N

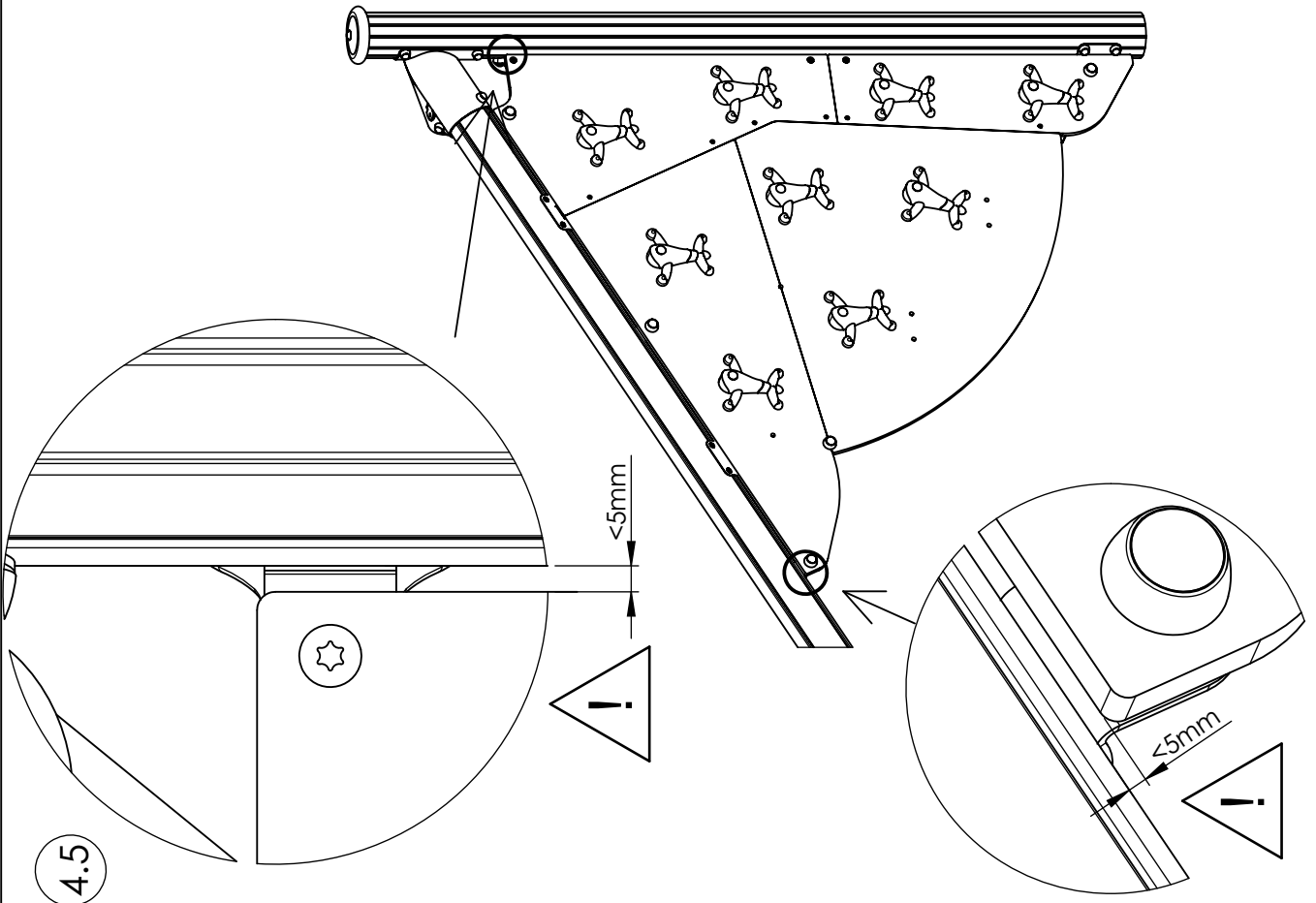
4.3



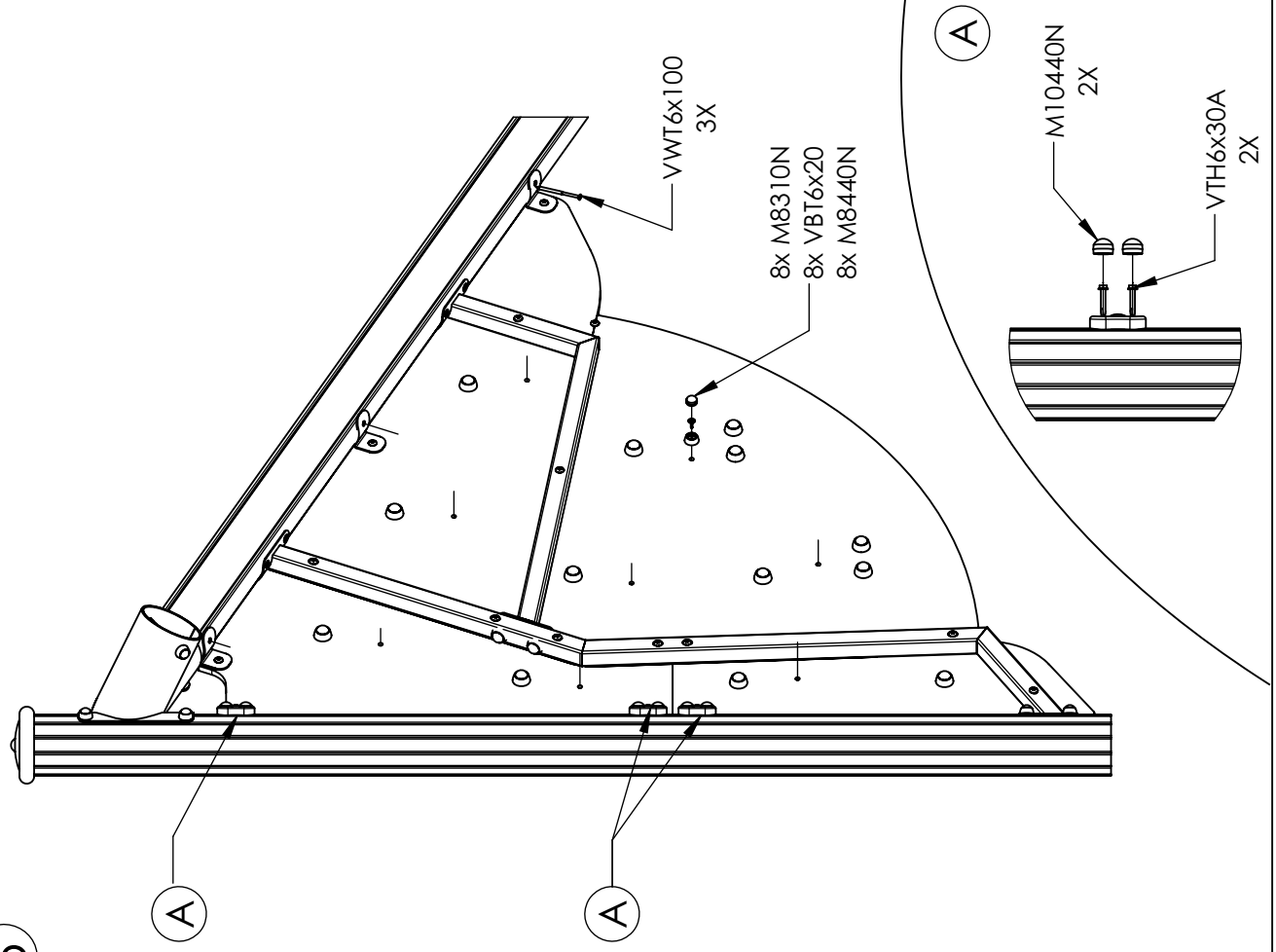
4.4

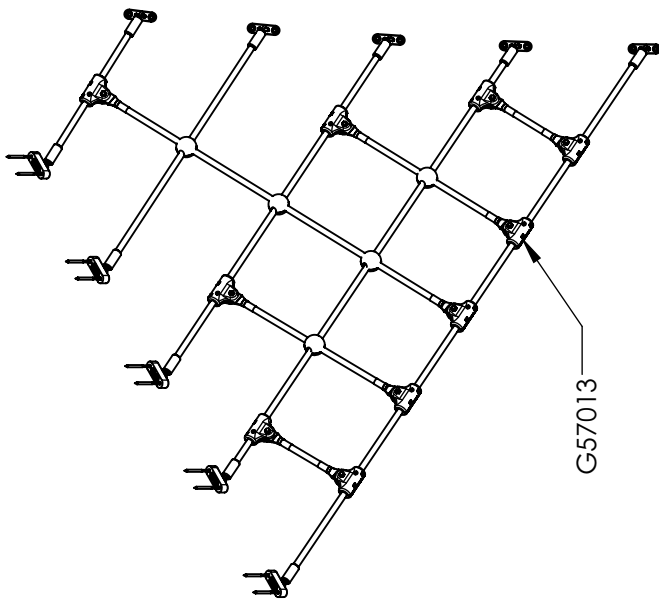


4.5

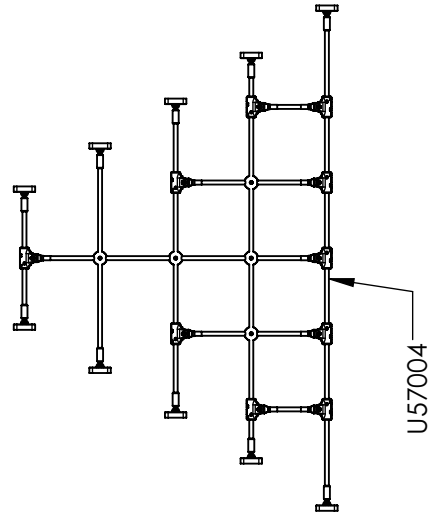
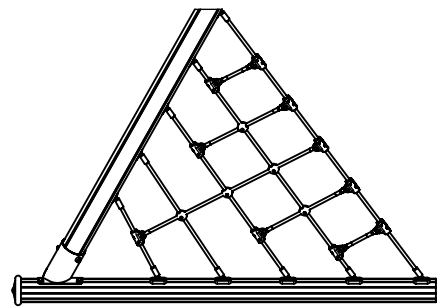
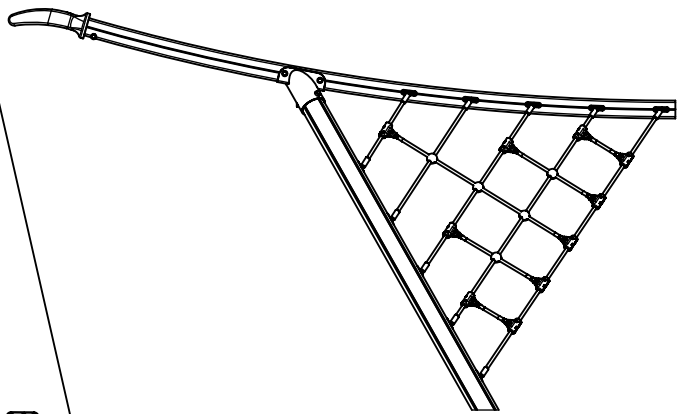


5



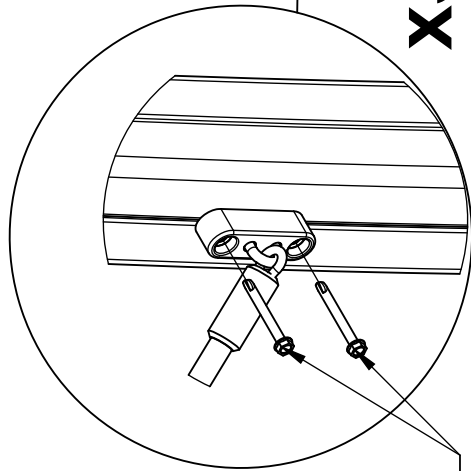
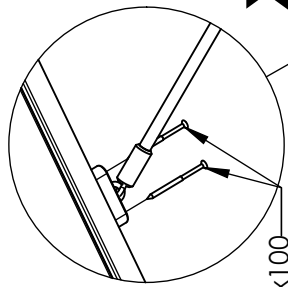
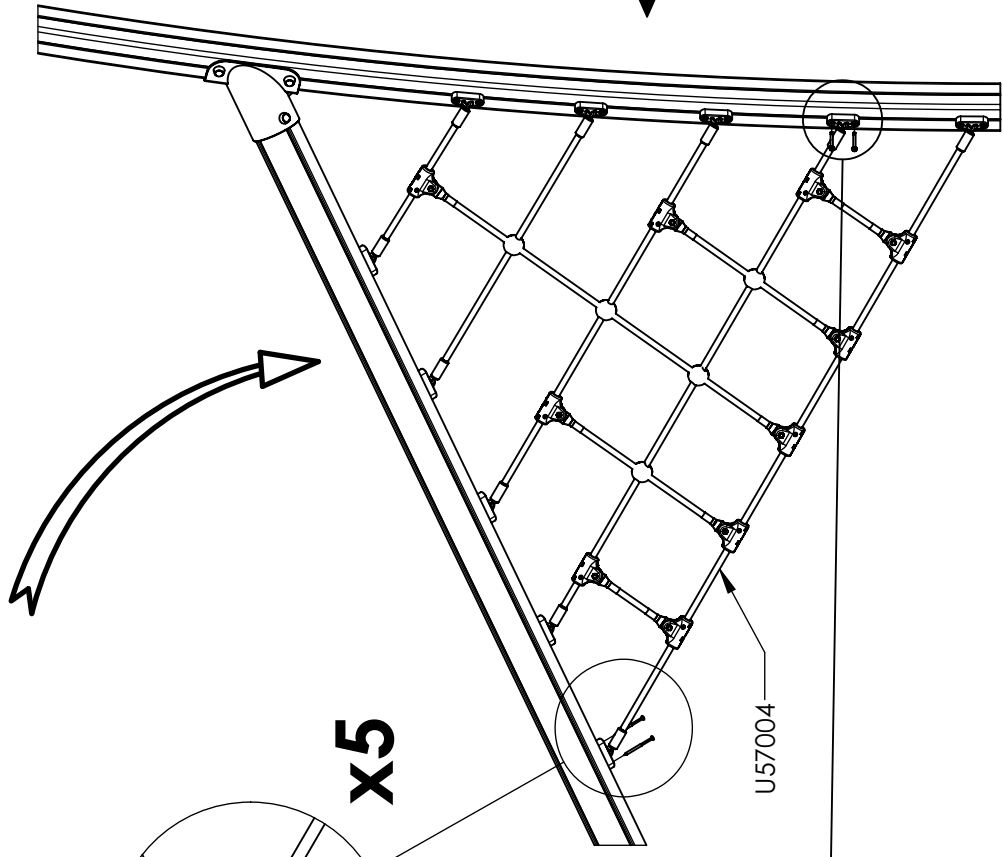
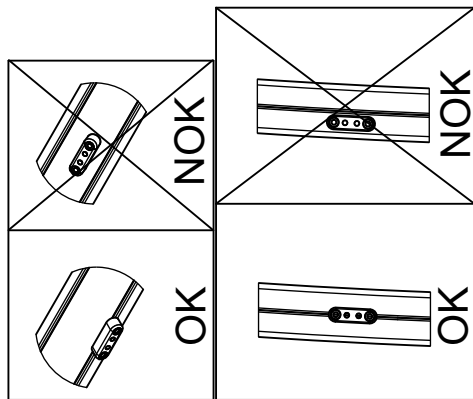
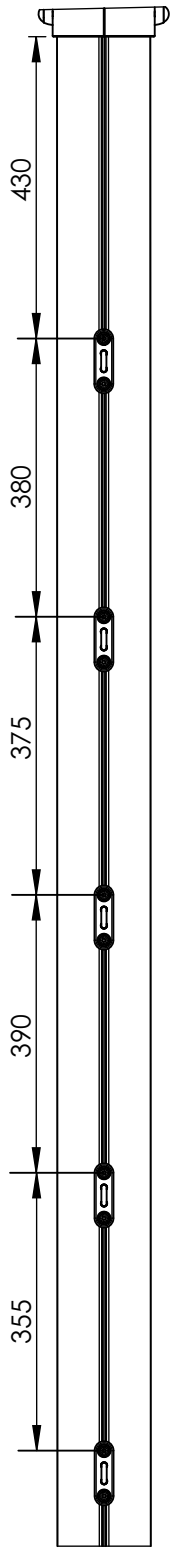


G57013



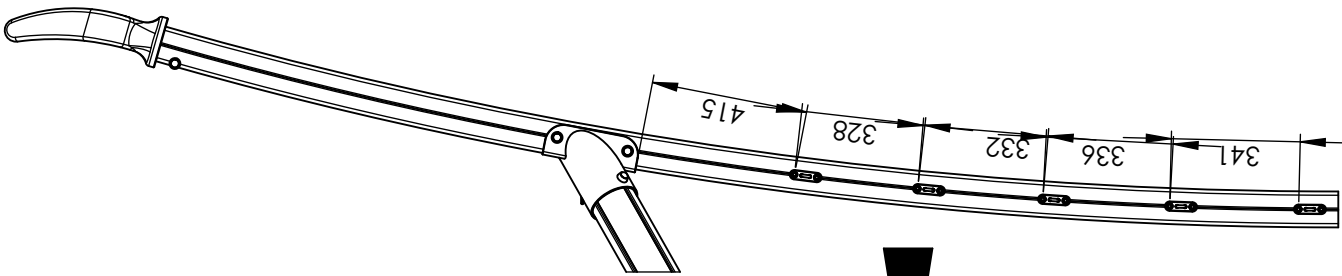
U57004

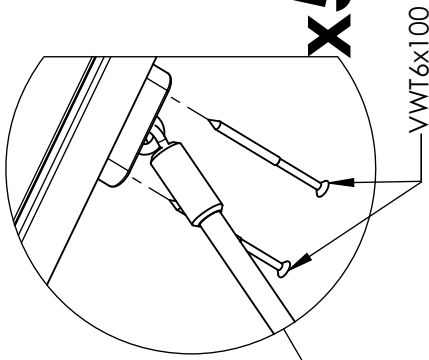
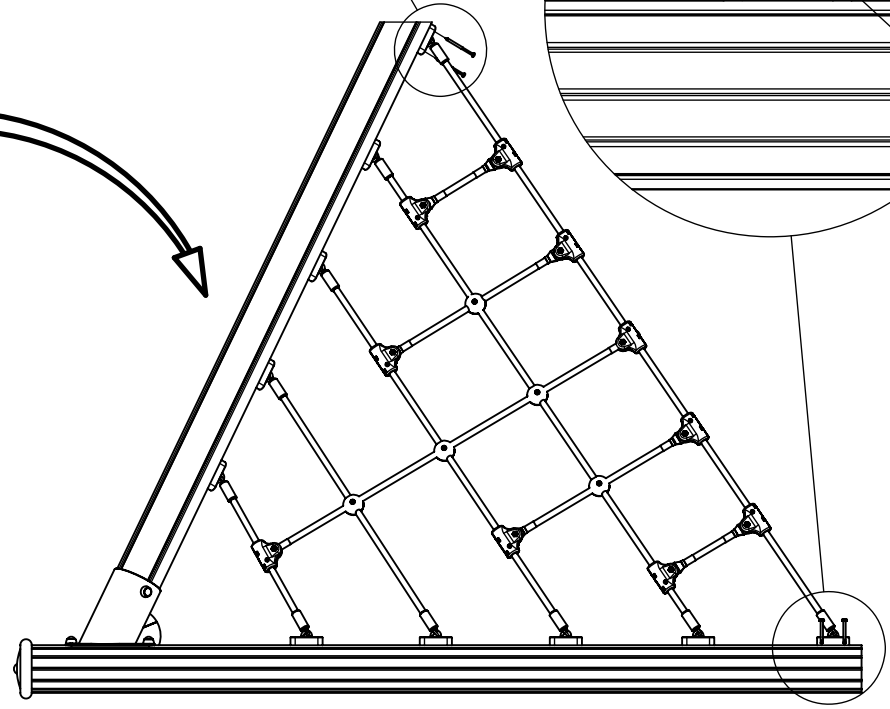
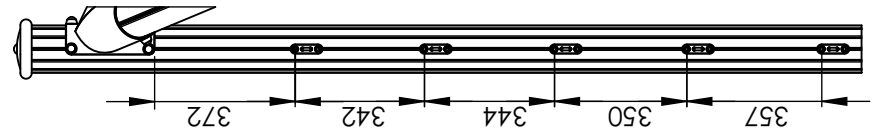
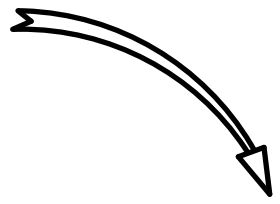
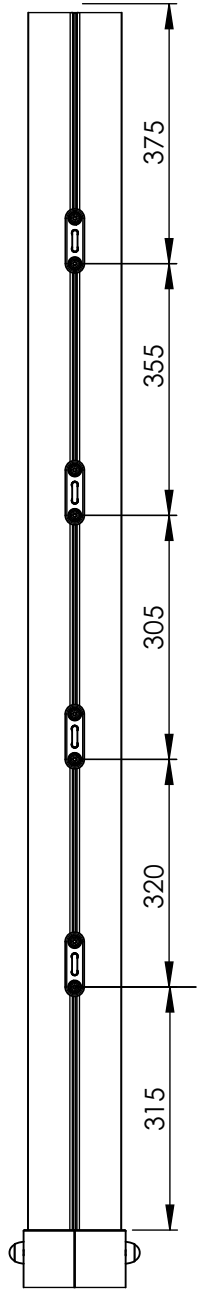
Réf	Qté
U57004	1
VTH6x60 AUTO	10
VWT6x100	10



x5

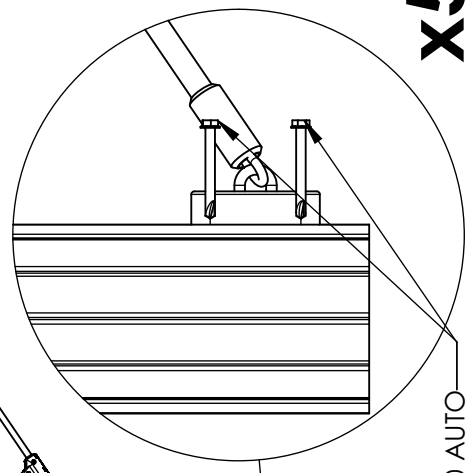
x5





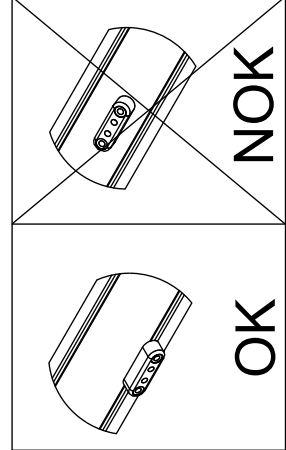
X5

VWT6x100



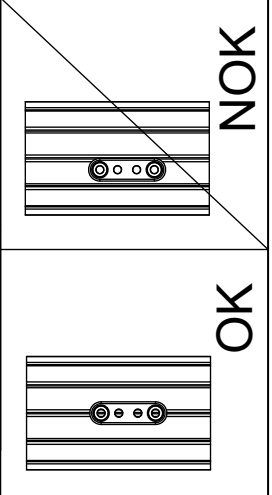
X5

VTH6x60 AUTO



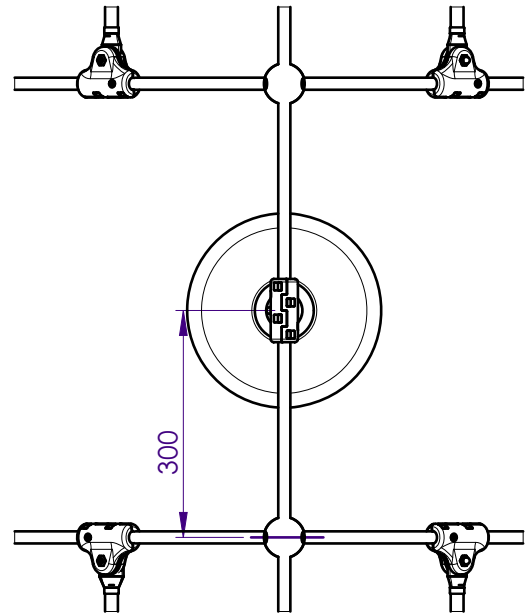
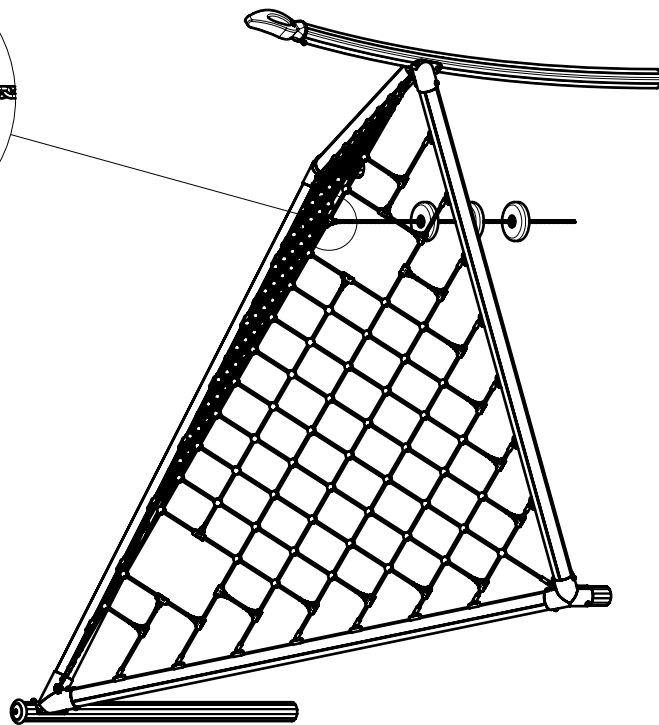
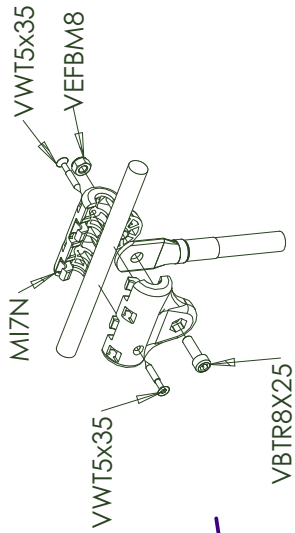
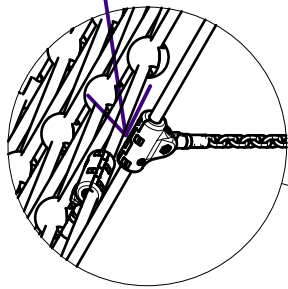
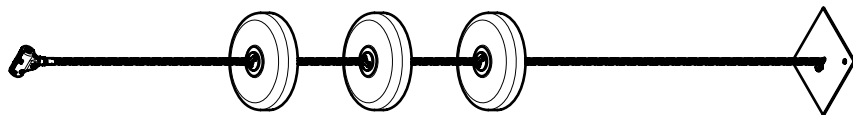
OK

NOK

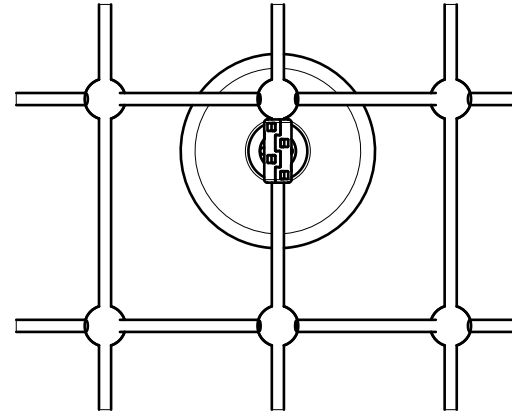
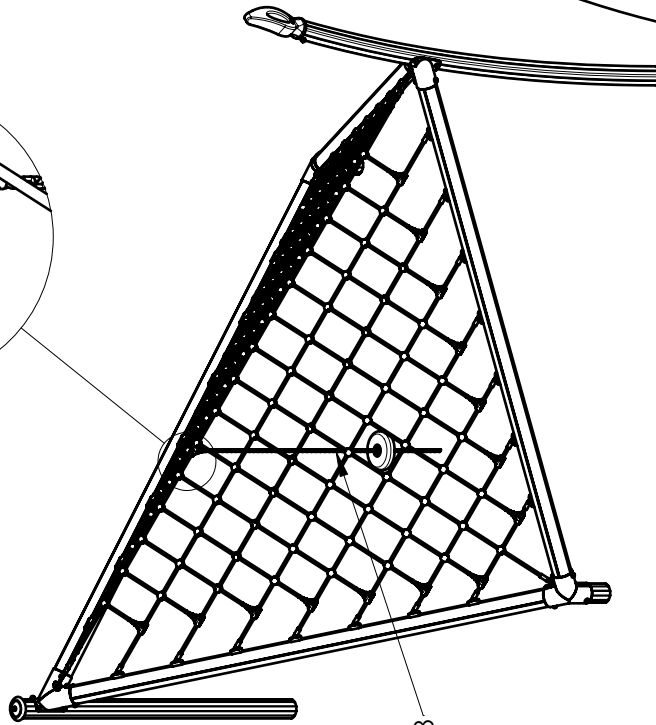
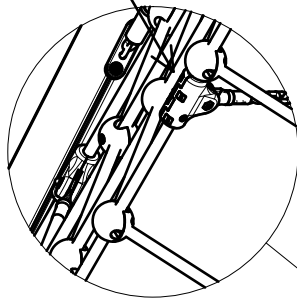
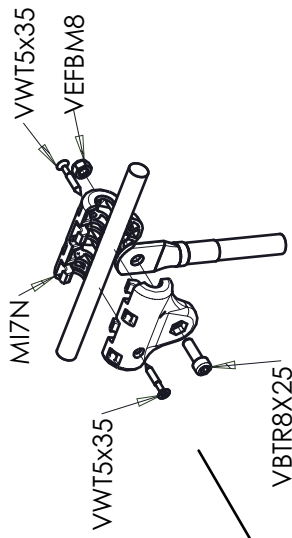
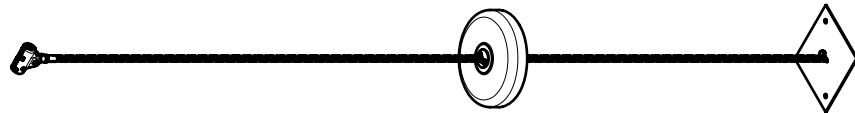


OK

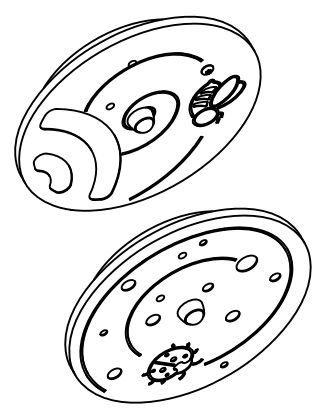
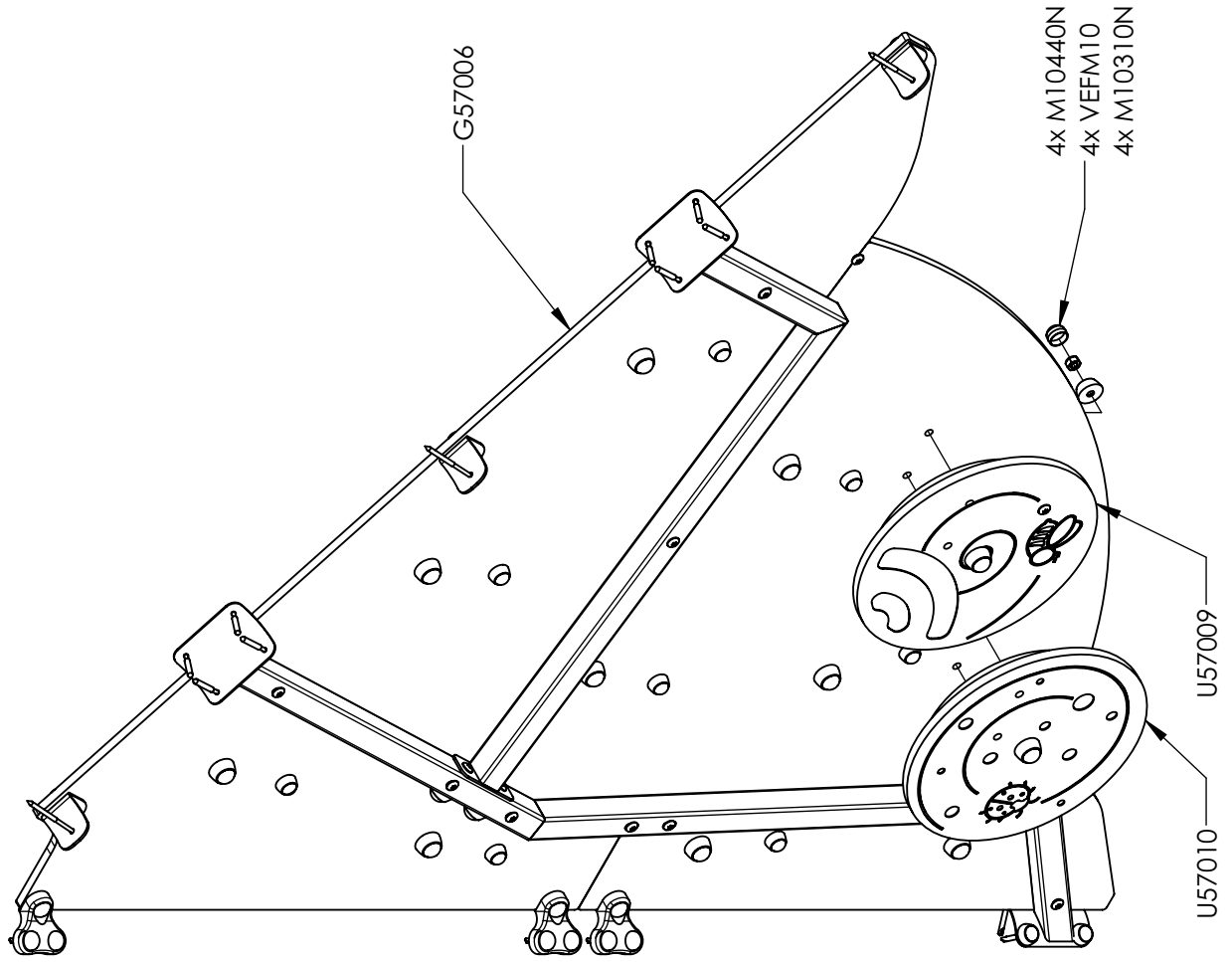
NOK



REF	QTE
U57007	1
MI7N	2
VBTR8X25	1
VEFBM8	1
VWT5x35	2



REF	QTE
MI7N	2
U57008	1
VBTR8X25	1
VEFBM8	1
VWT5x35	2



REF	QTE
U57010	1
U57009	1
M10310N	4
VEFM10	4
M10440N	4