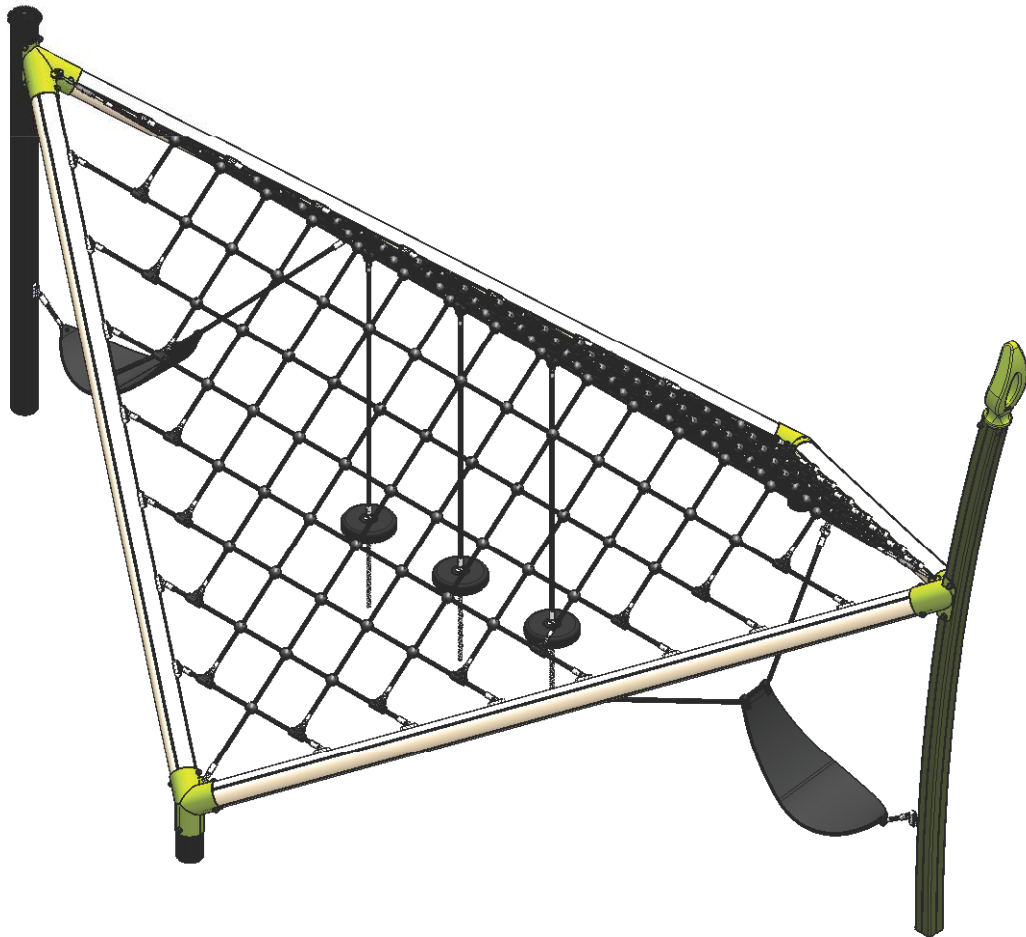
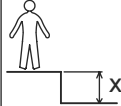
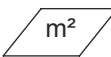


J57003A

ProLudic





N°		
1	2 m	52 m ²

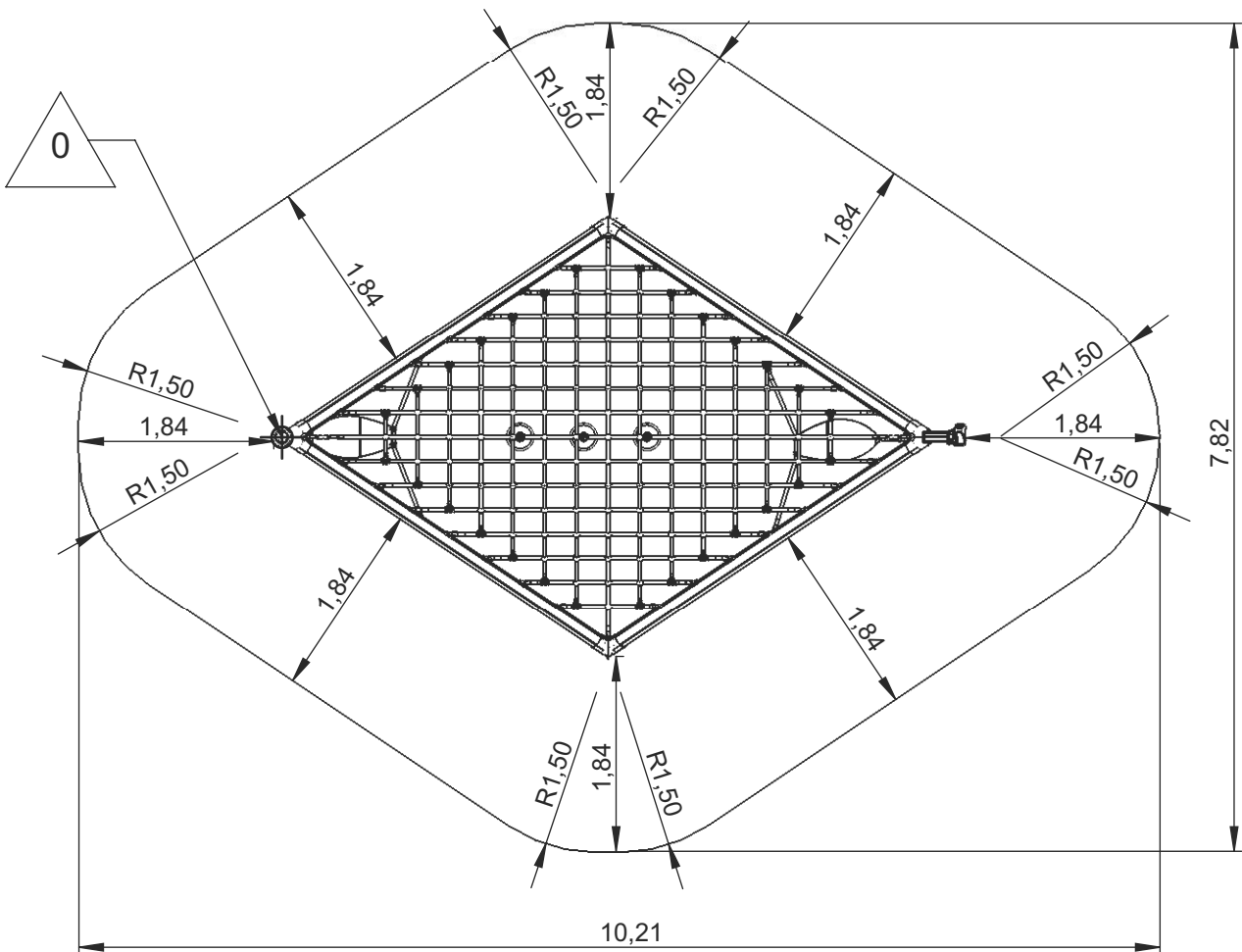
— Zone d'impact
Impact area
Area de impacto
Fallraum
Valzone

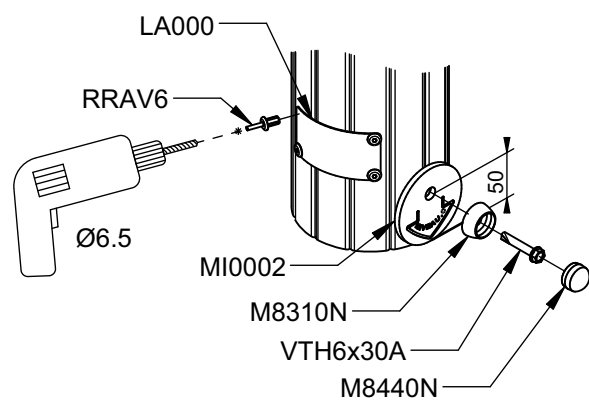
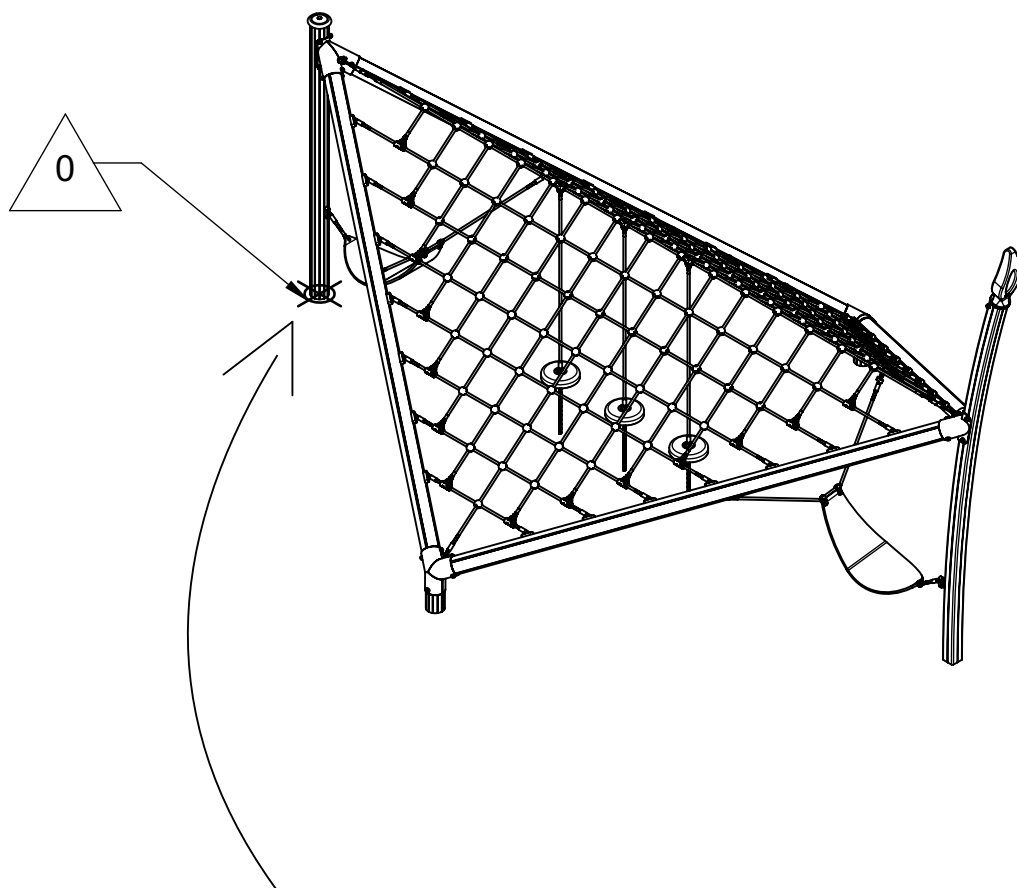


Point de référence
Setting out point
Punto de referencia
Bezugspunkt
Referentiepunt

- - - Espace libre
Free space
Espacio libre
Freiraum
Vrije ruimte

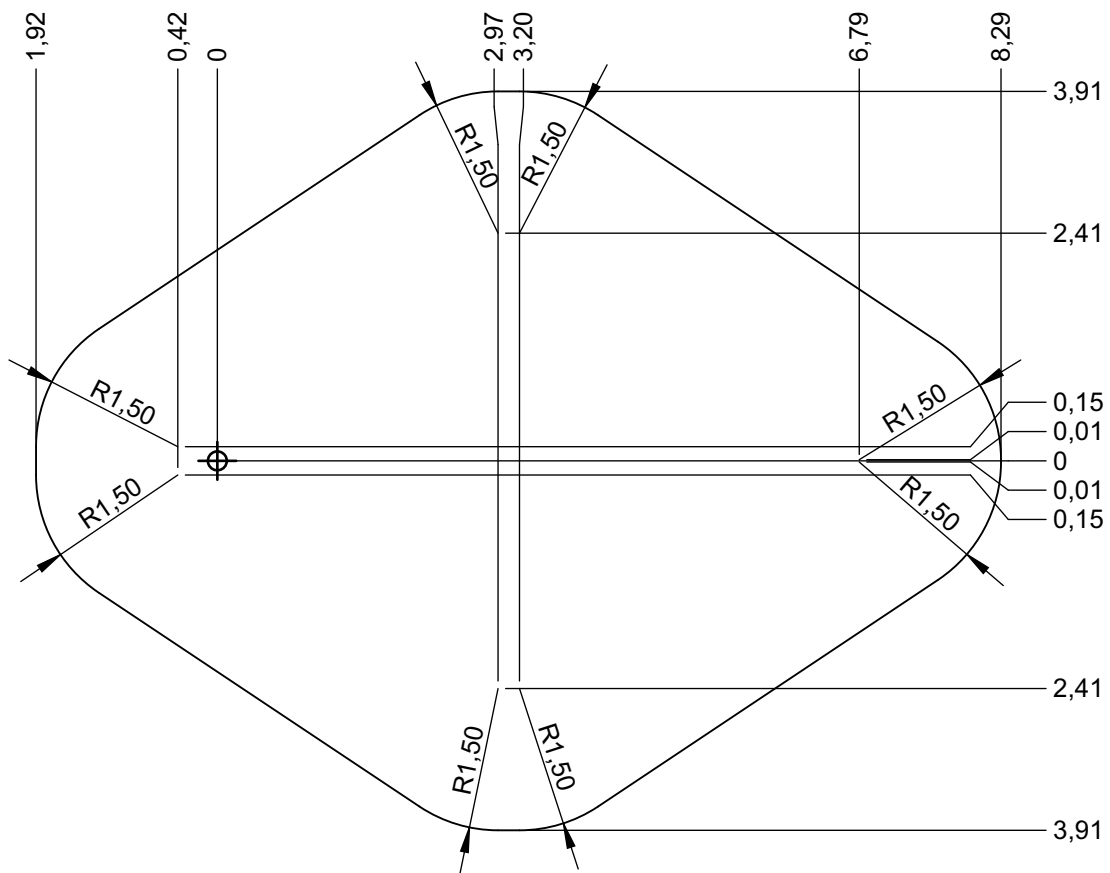
EN1176-1:2017





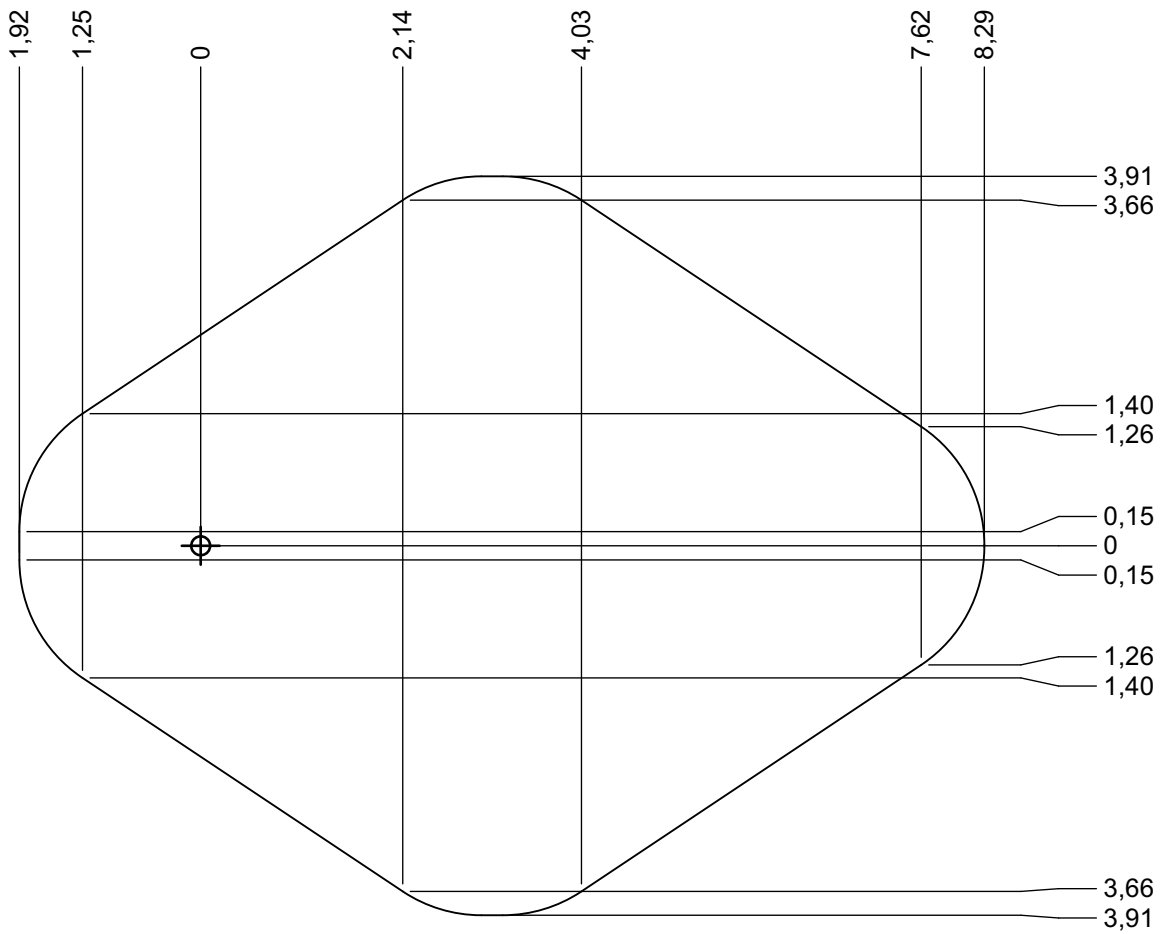
— Zone d'impact
 Impact area
 Area de impacto
 Fallraum
 Valzone

52 m²



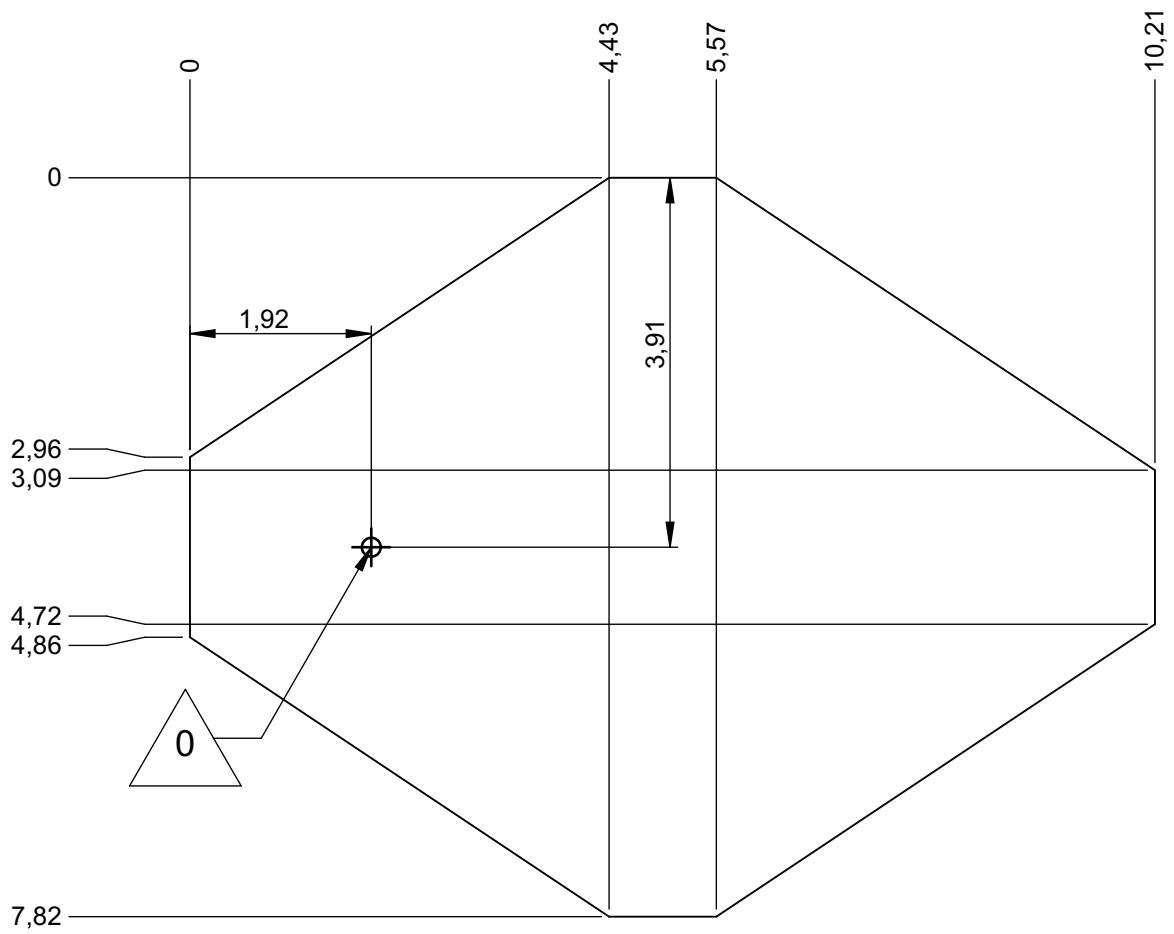
— Sol souple
 — Wetpour
 — Caucho continuo
 — Synthetischer fallschutz
 — Gietvloer

52 m²

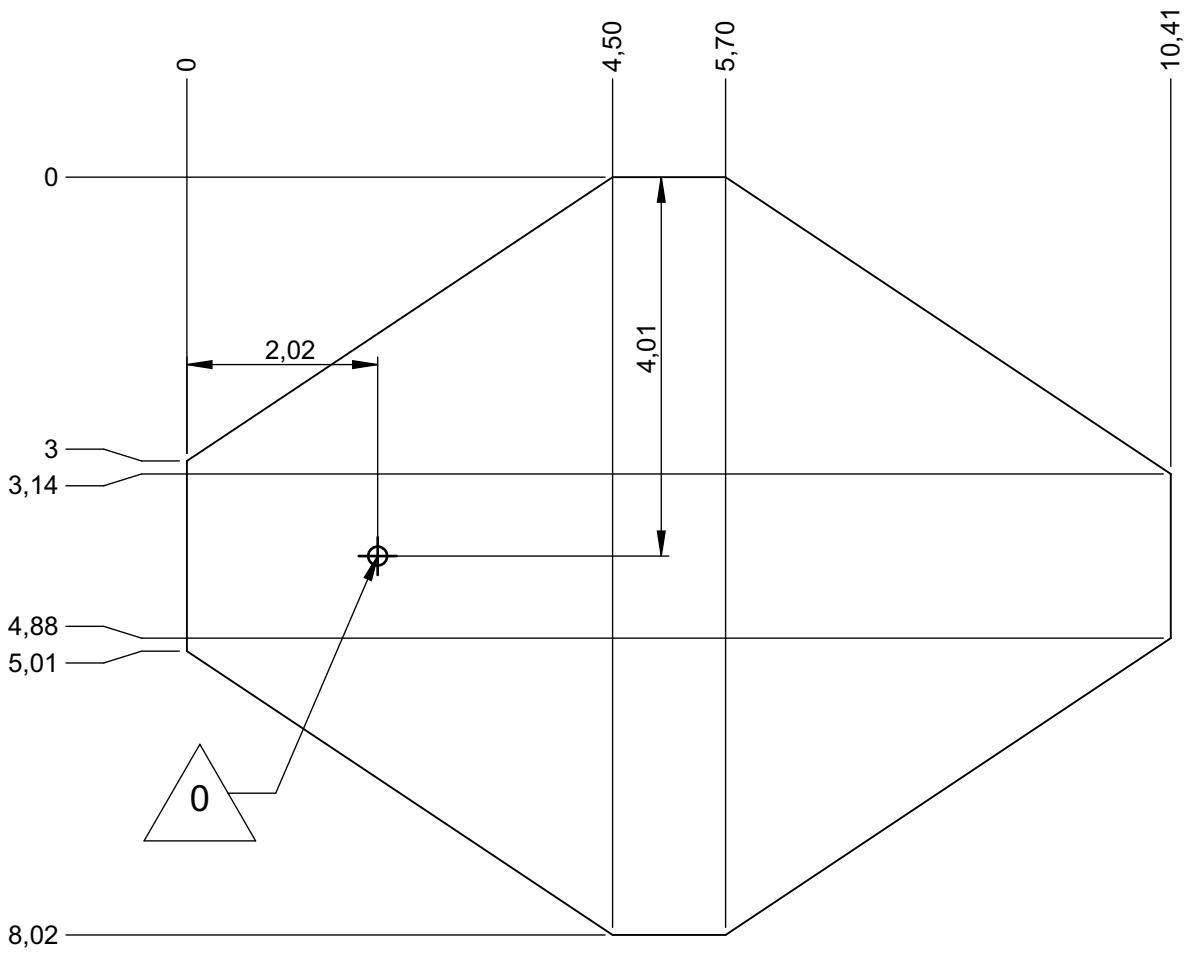


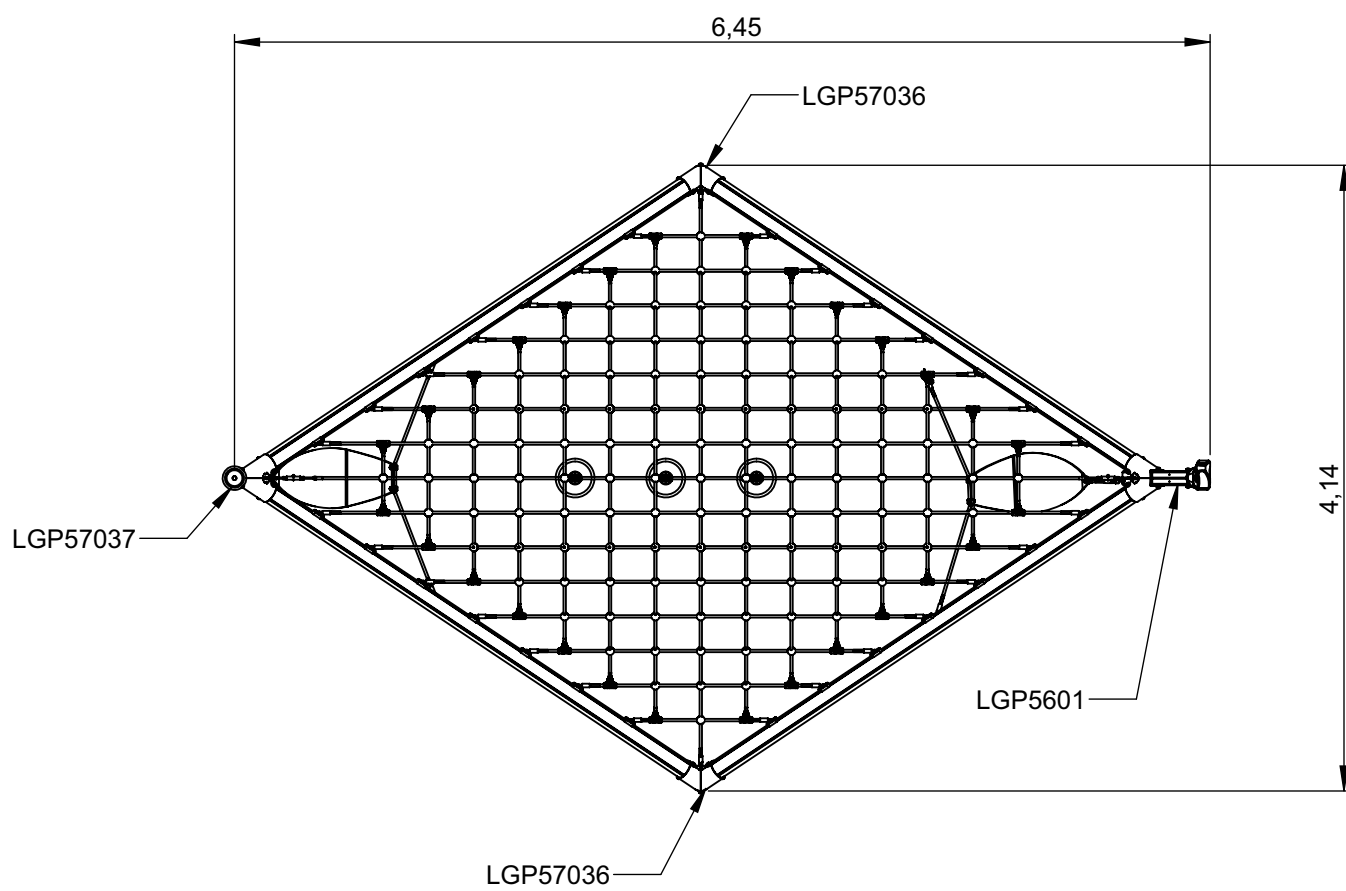
— Dalle béton
 Concrete pad
 Solera de hormigon
 Beton bodenplatte
 Betonnen bodemplaat

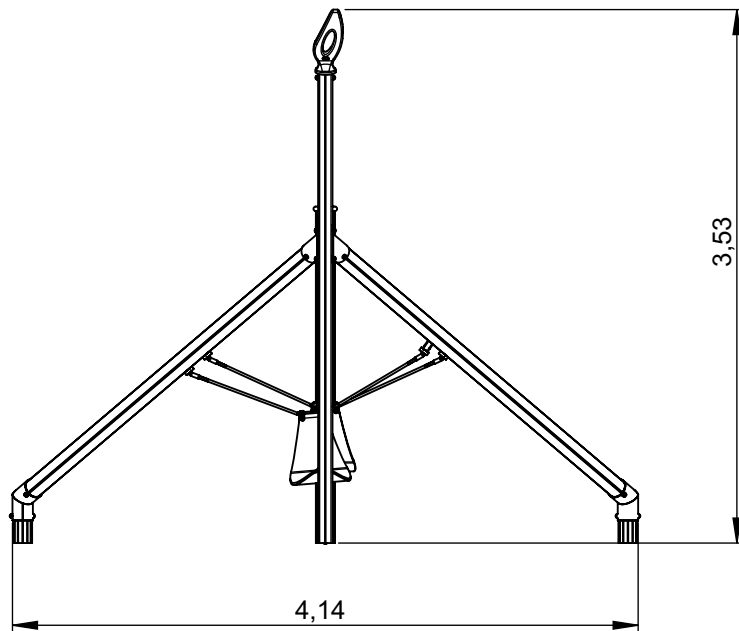
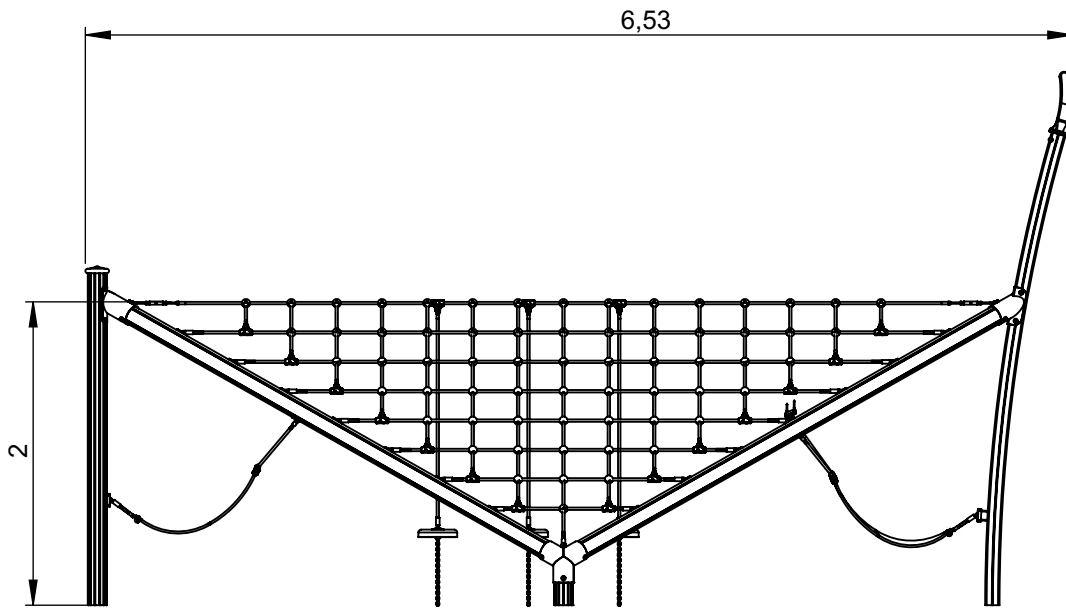
28 m
 53 m²



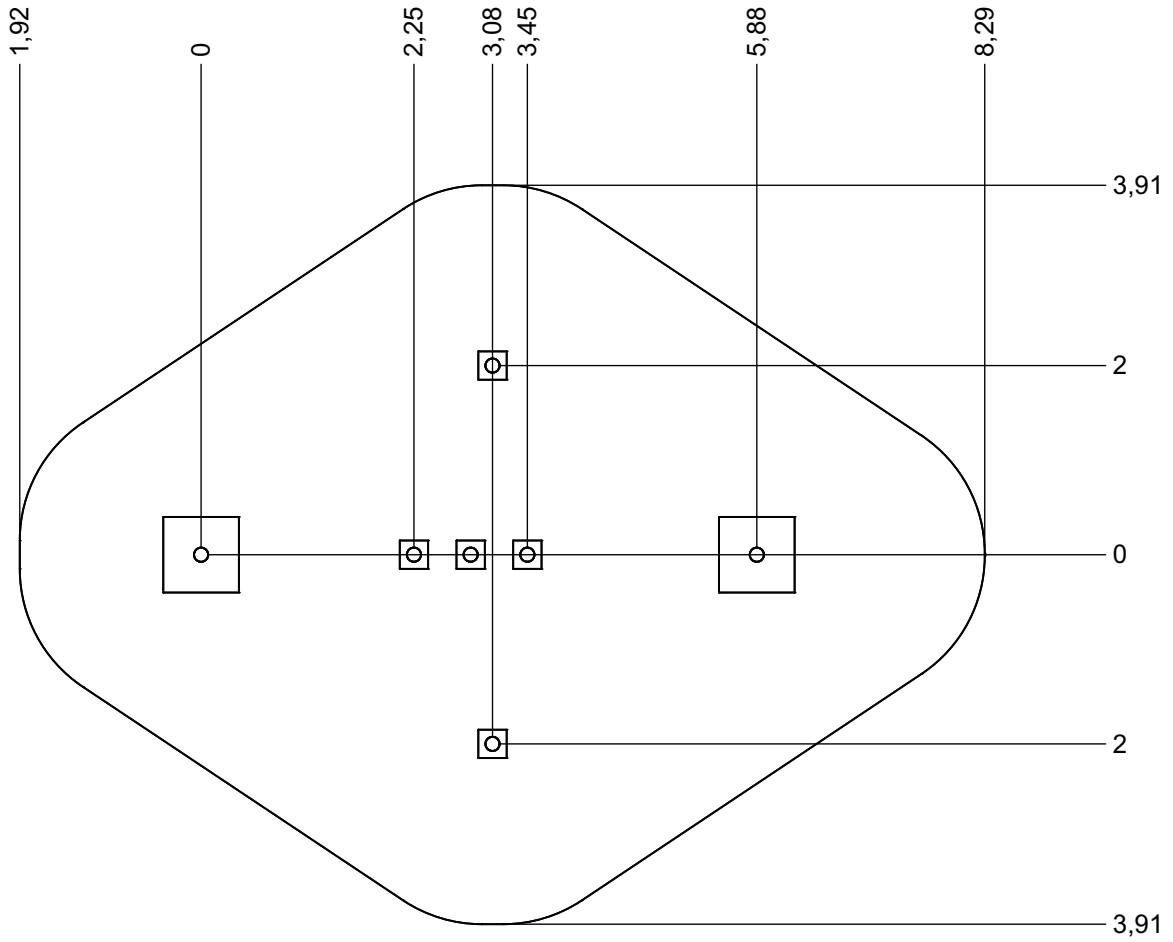
— Sol fluent
Loos partucule material 29 m
Arenero
Loses Bodenmaterial 56 m²
Los bodemateriaal






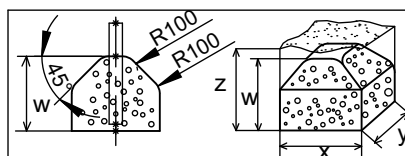


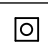
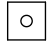


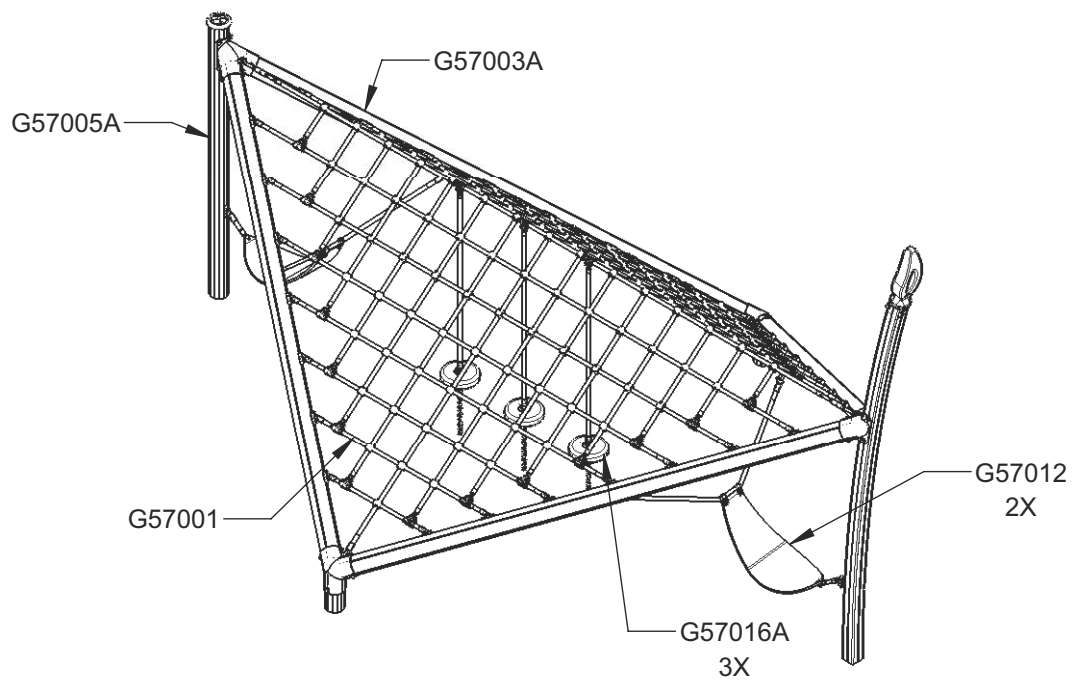
Implantation
 Footing plan
 Implantación
 Fundamentplan
 Funderingstekening



 x2
 7.15H
 0.8 m³

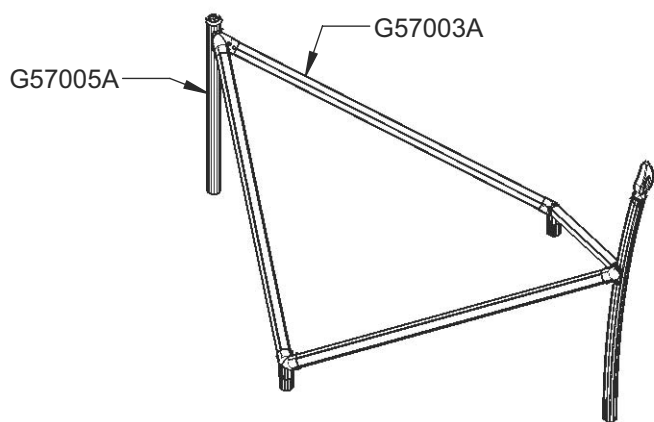


	x	y	w	z
	0.3	0.3	0.3	0.6
	0.8	0.8	0.6	0.8

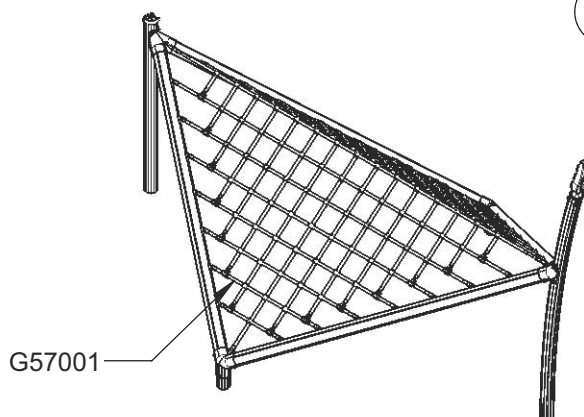


Réf	Qté
G57001	1
G57003A	1
G57005A	1
G57012	2
G57016A	3

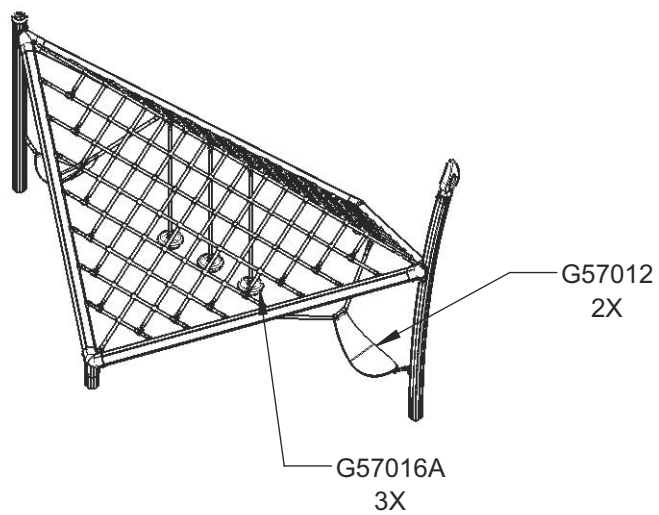
1

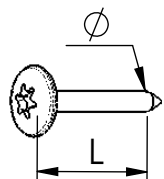


2

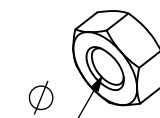


3

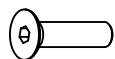




VBT 6 x 30
 \varnothing \uparrow L (mm)



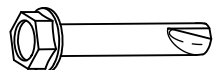
VEC M10
 \varnothing



VFHC



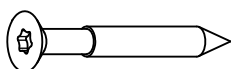
VEF



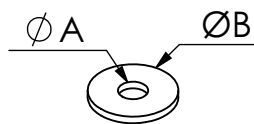
VTHA



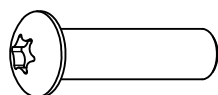
VEB



VWT



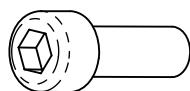
VR6x18
 $\varnothing A$ $\varnothing B$



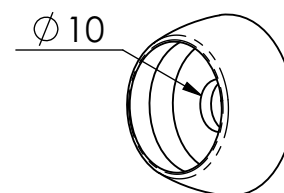
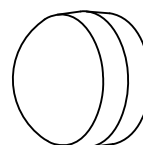
VCBHC



VGC

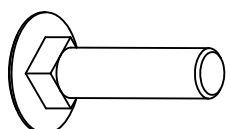


VBTR

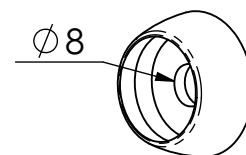
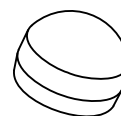


M10 440N

M10 310 N

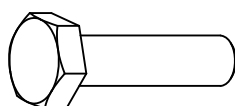


VTRCC

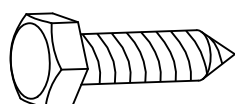


M8440N

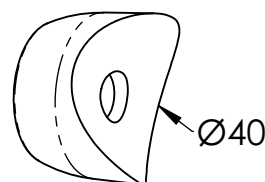
M8310N



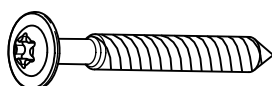
VTH



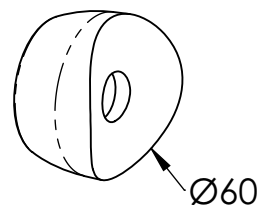
VTF



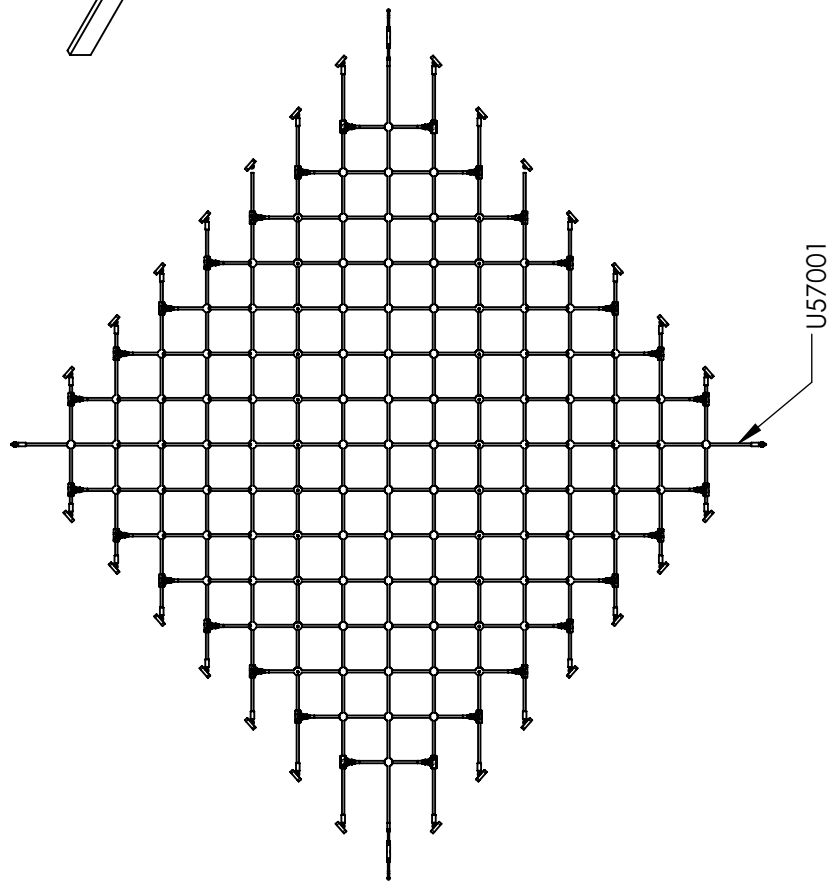
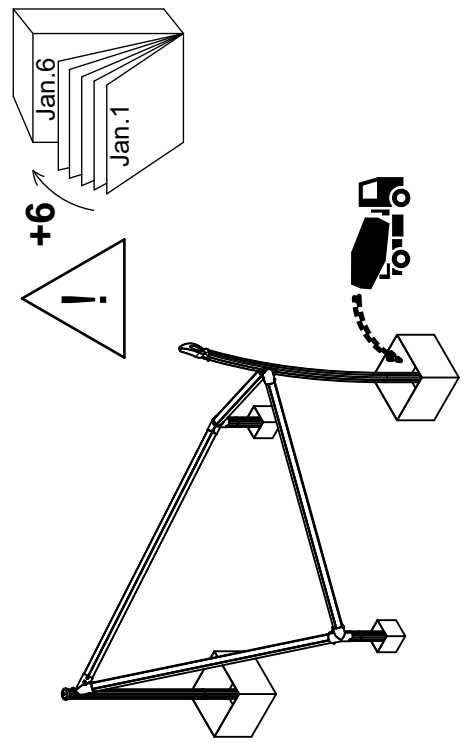
MI2503



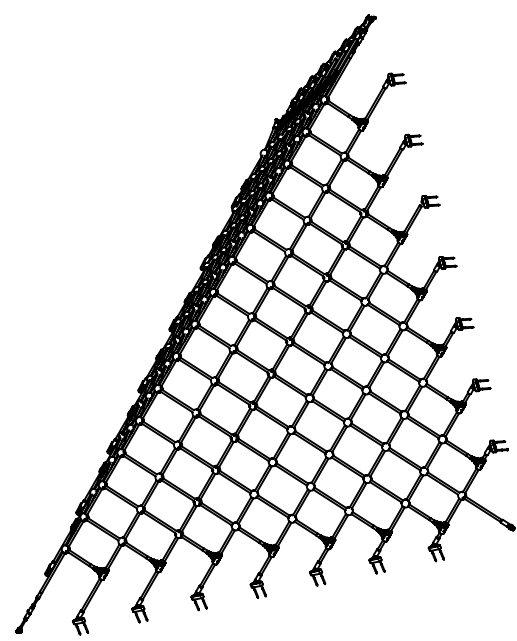
VBT



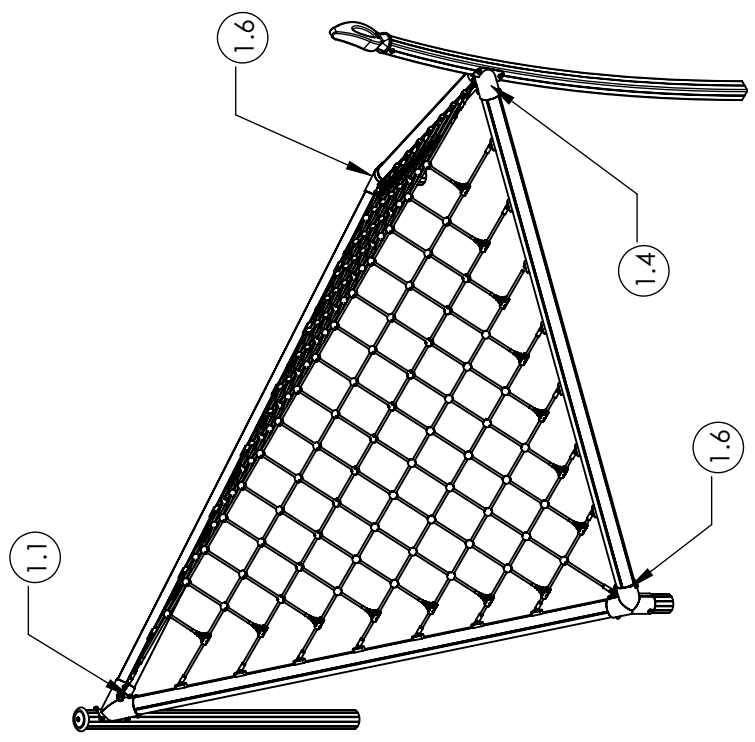
MI2701



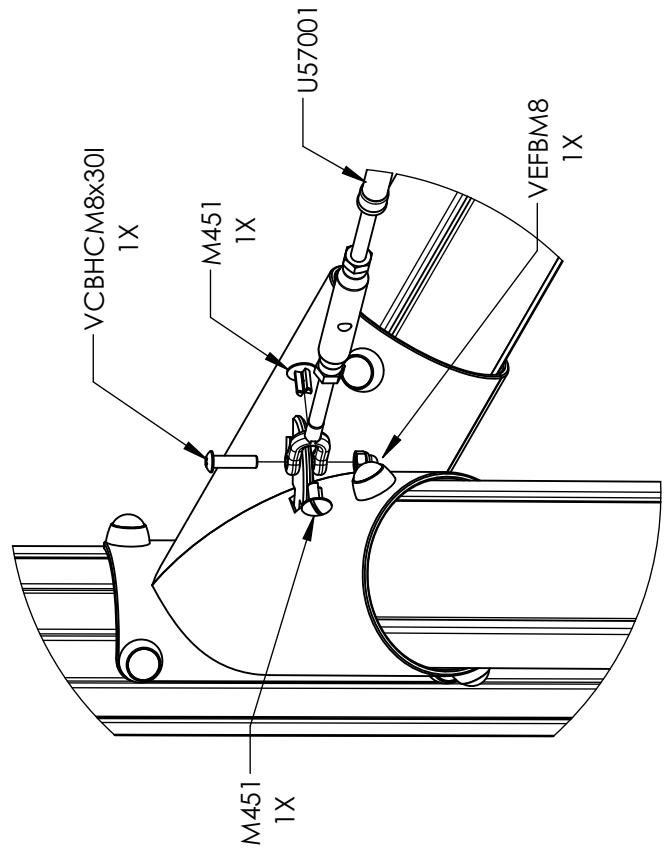
Réf	Qté
EHS866	3
U57001	1
VCBHC6x25I	2
VEBM6	2
VWT6x100	56
M451	4



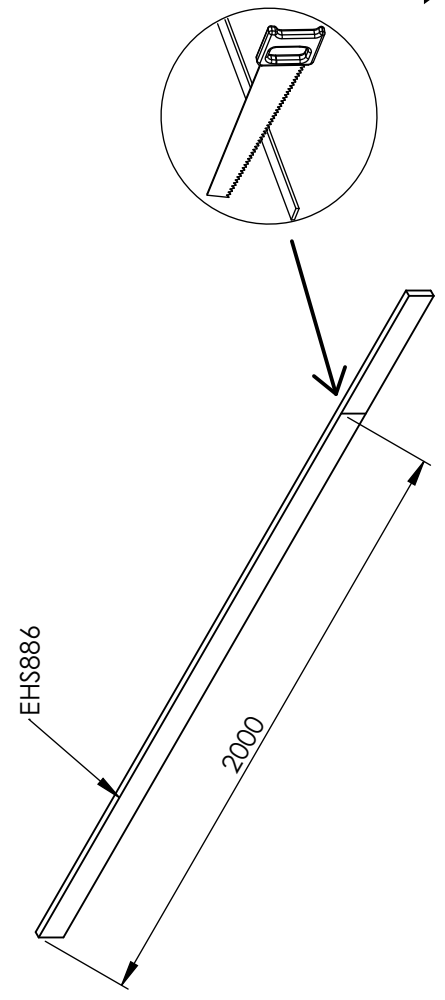
1



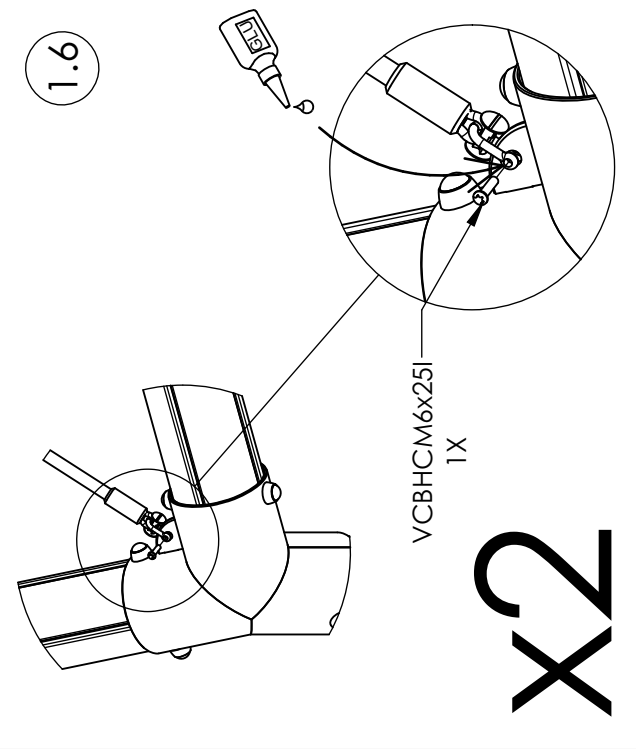
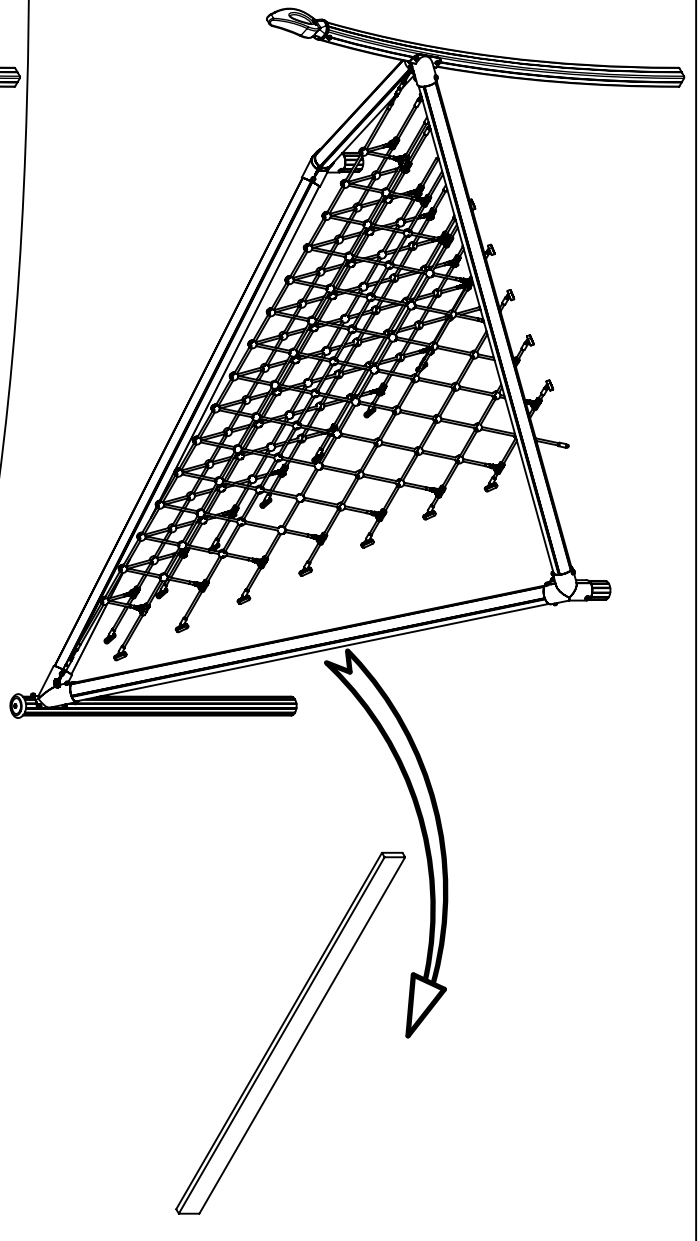
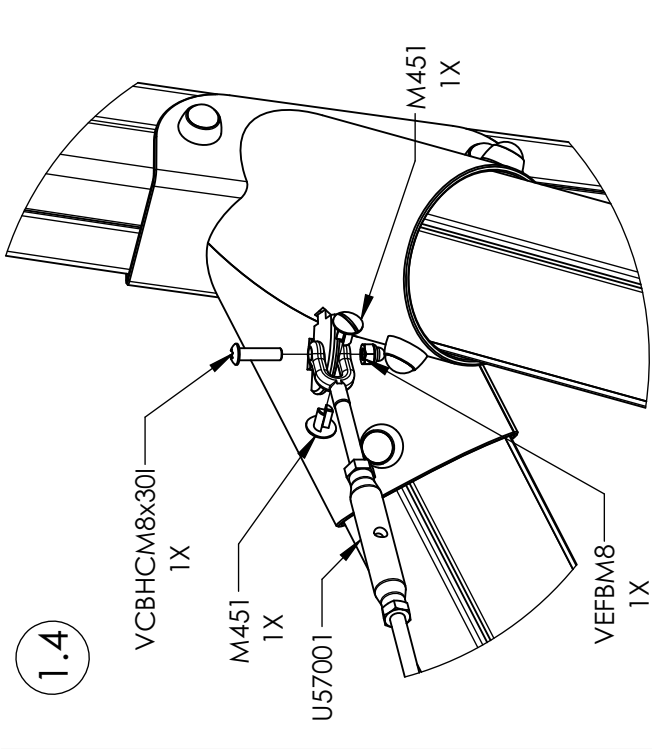
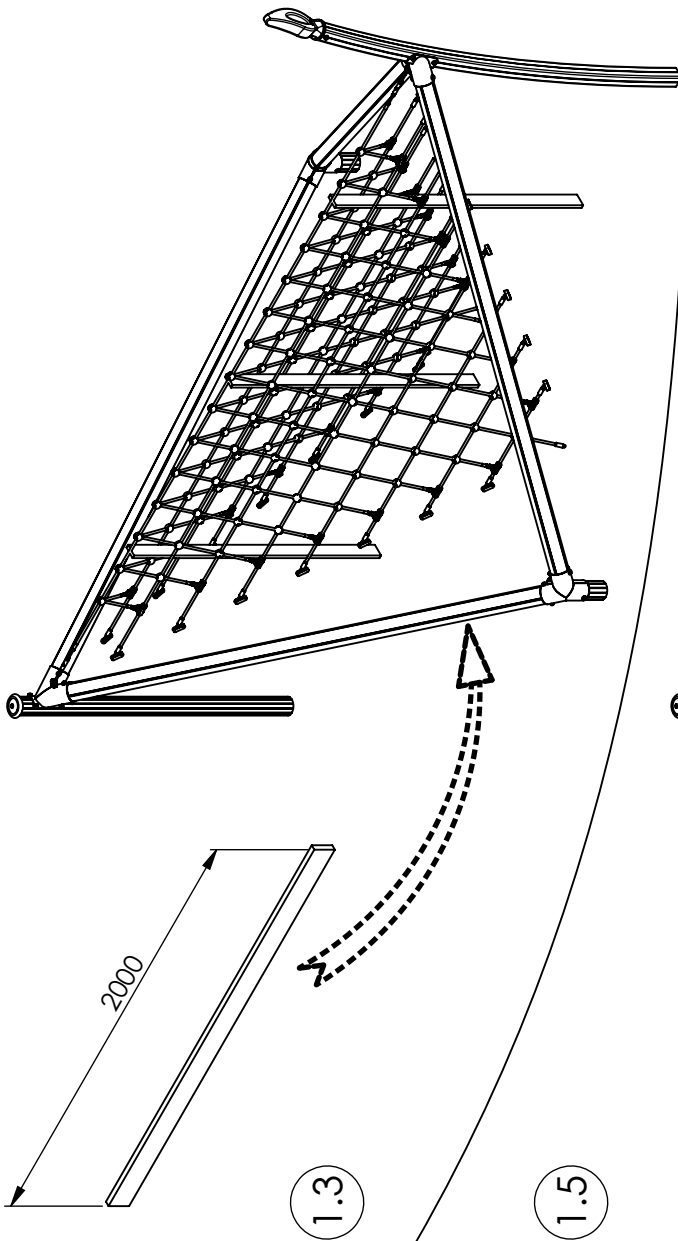
1.1



1.2

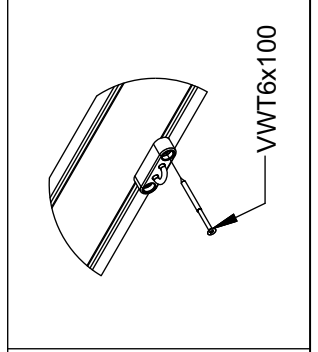
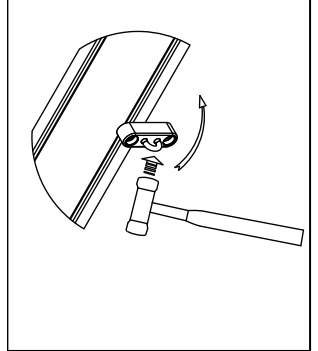
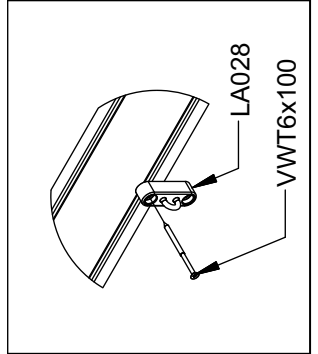
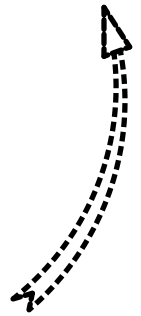
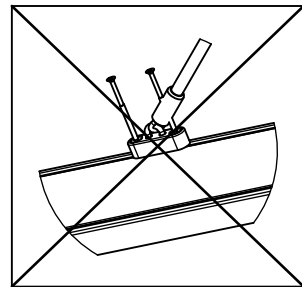
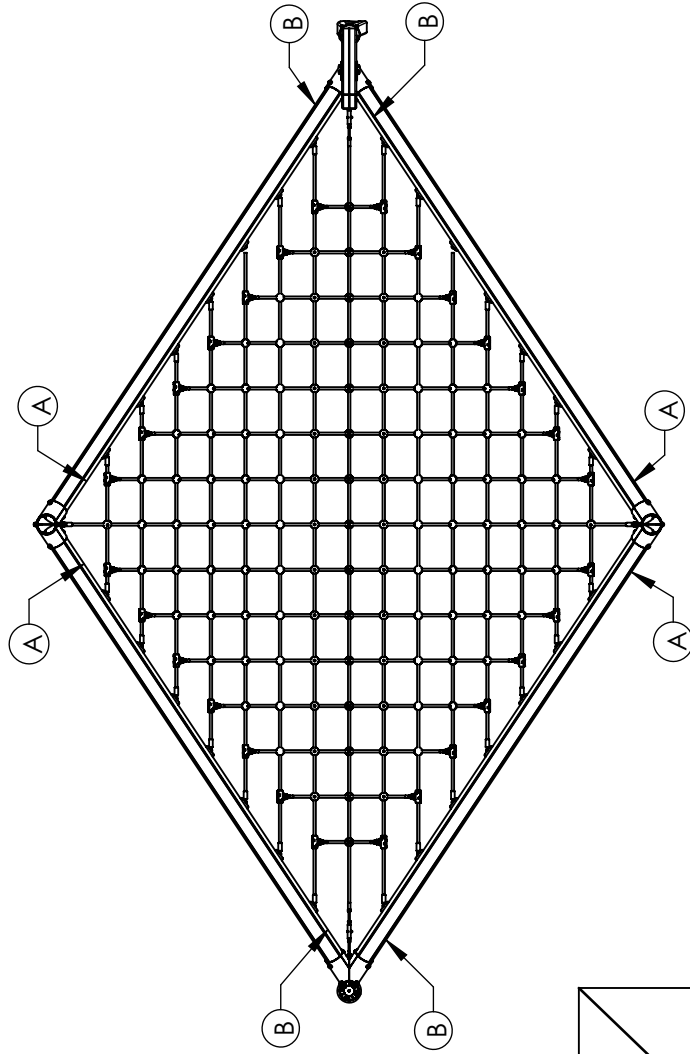
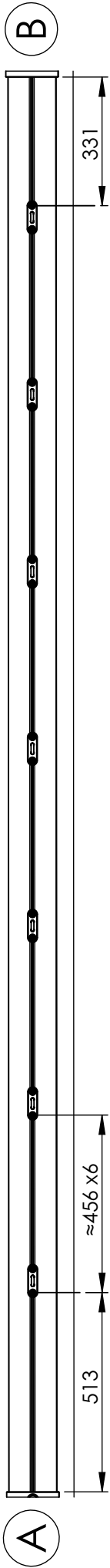


X3

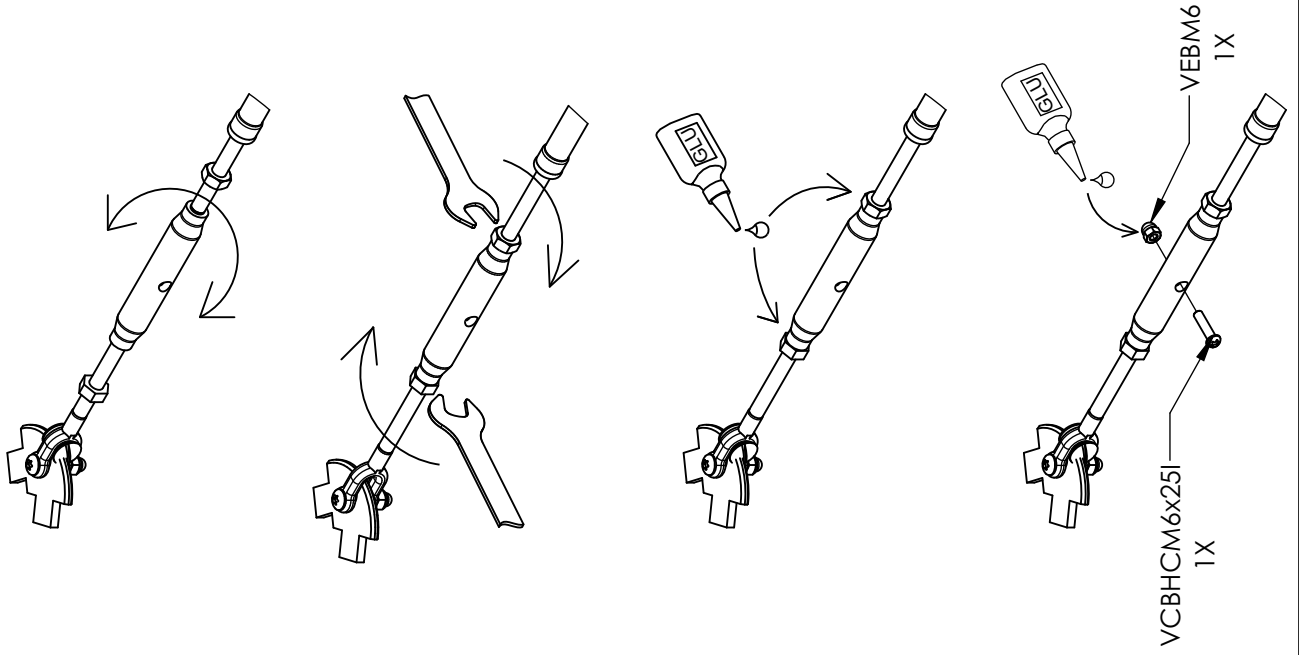
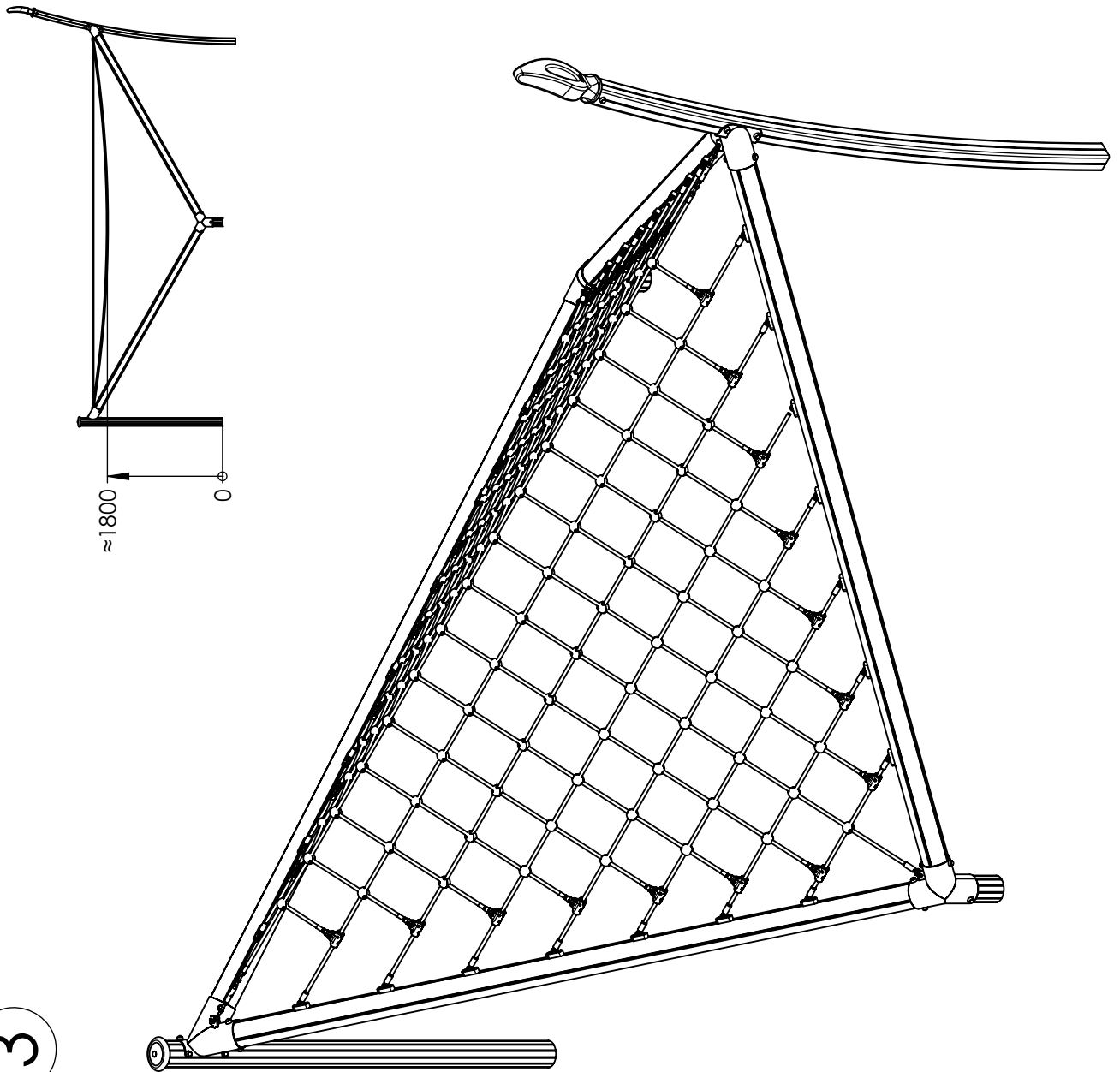


X2

2



3

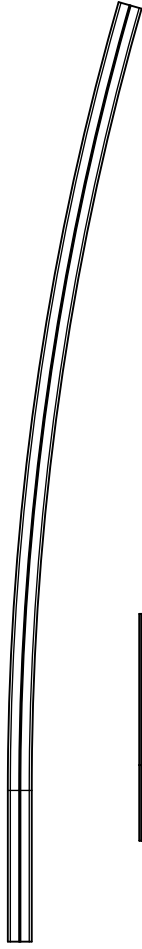




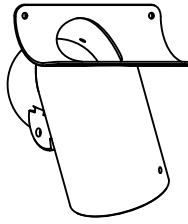
CL57054



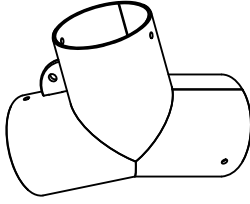
LGP5601



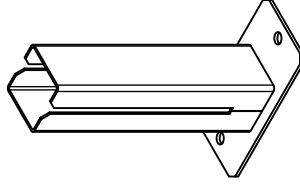
LGP57036



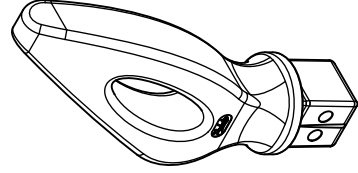
LGP57033



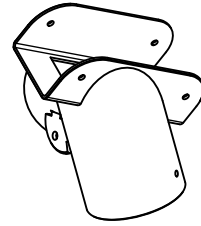
LGP57035



LG1913



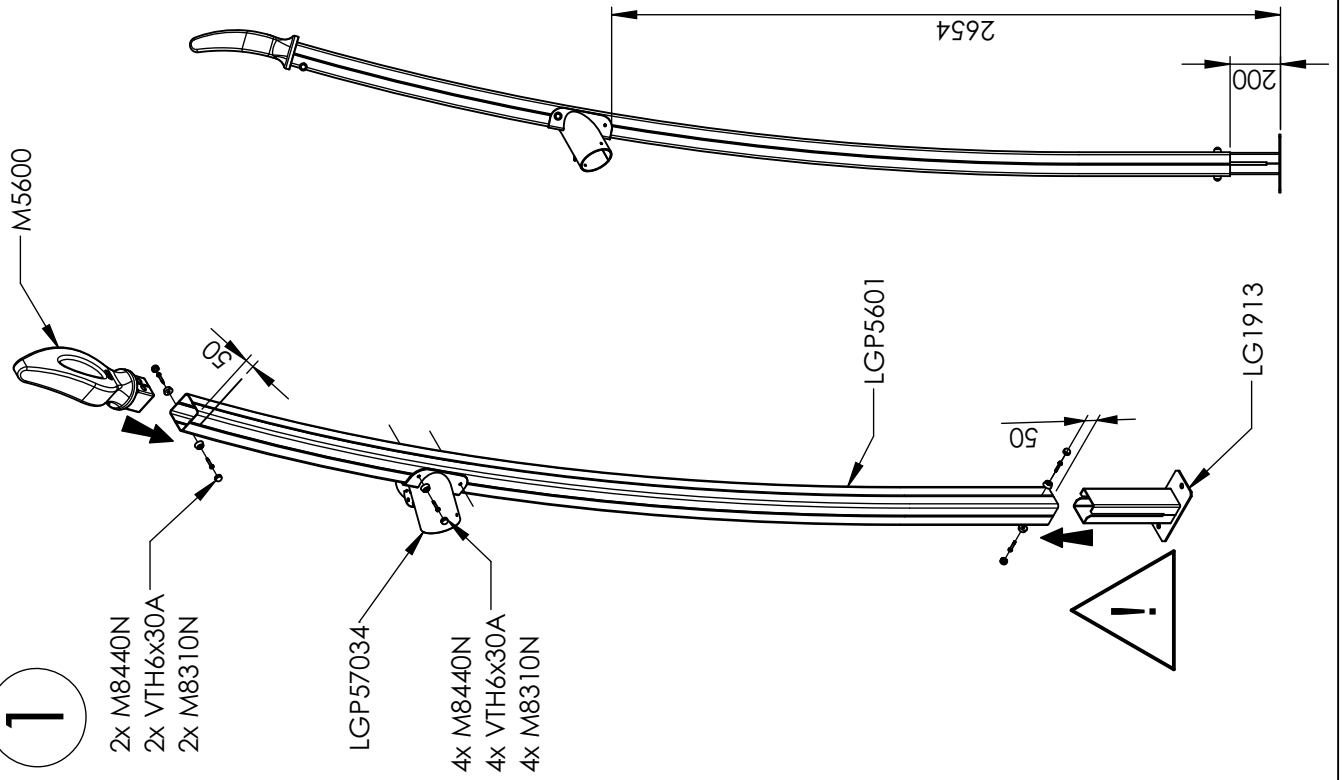
M5600



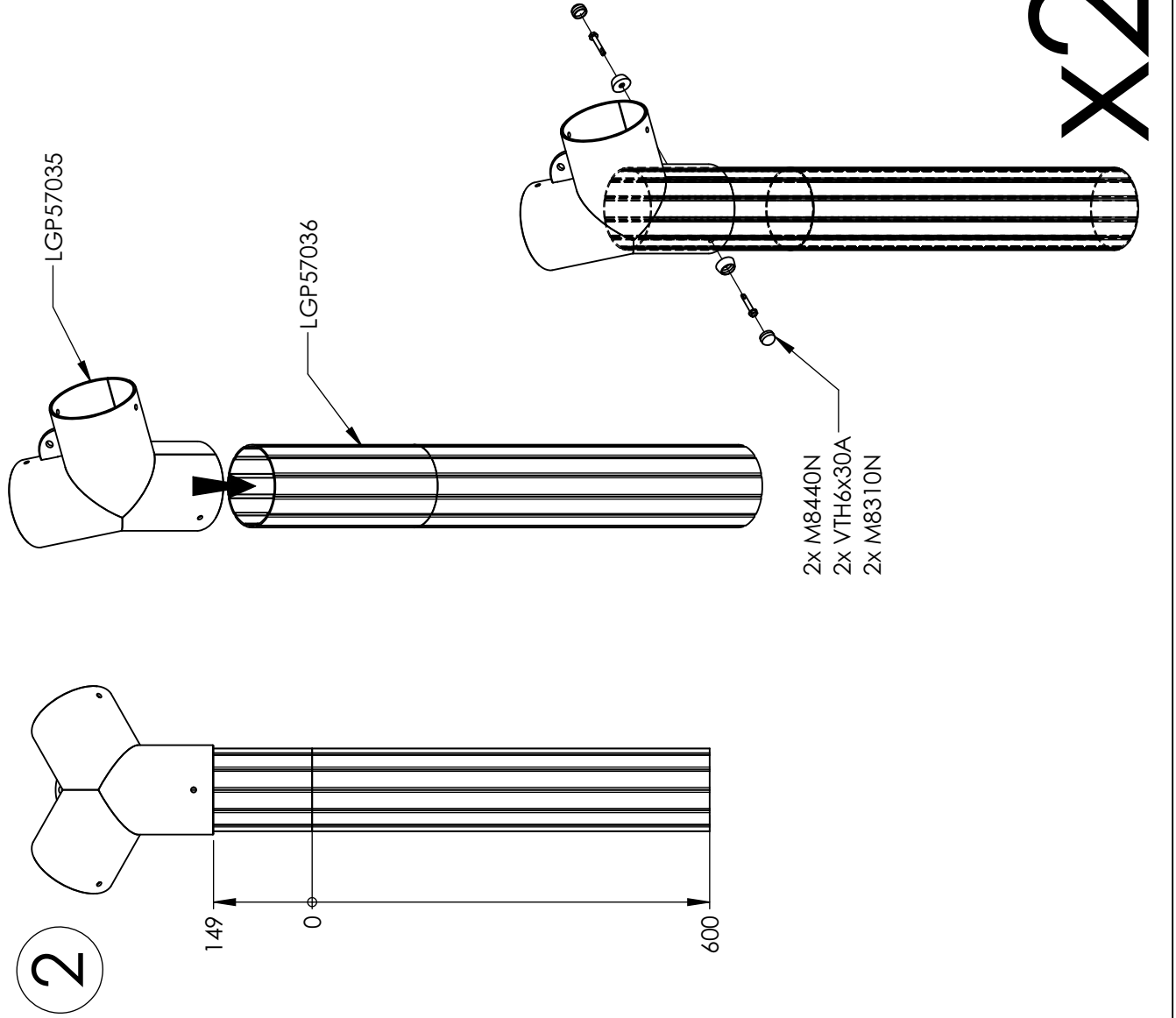
LGP57034

Réf	Qté
CL57054	4
LG1913	1
LGP5601	1
LGP57033	1
LGP57034	1
LGP57035	2
LGP57036	2
M5600	1
M8310N	32
M8440N	32
VBT7x60	16
VTH6x30A	16

1



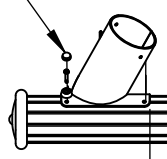
2



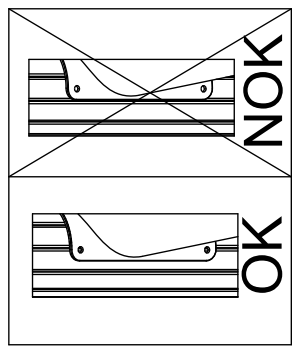
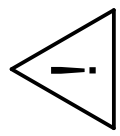
X2

3

4x M8440N
4x VTH6x30A
4x M8310N



1870



LGP57037

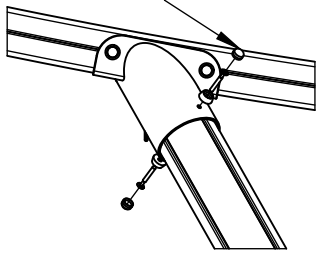
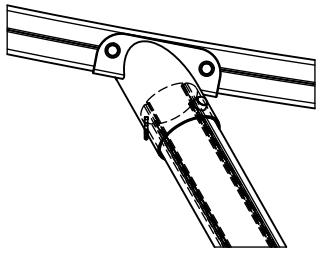
0

800

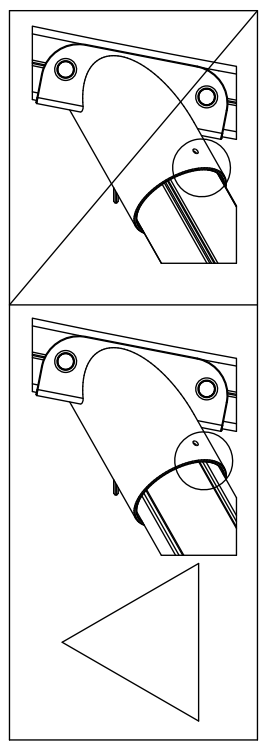
3/8

4

CL57054



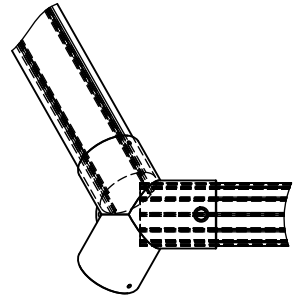
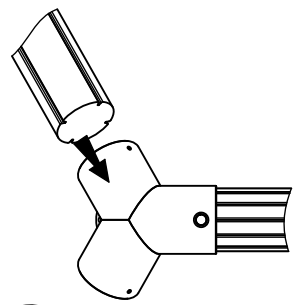
2x M8440N
2x VBT7x60
2x M8310N



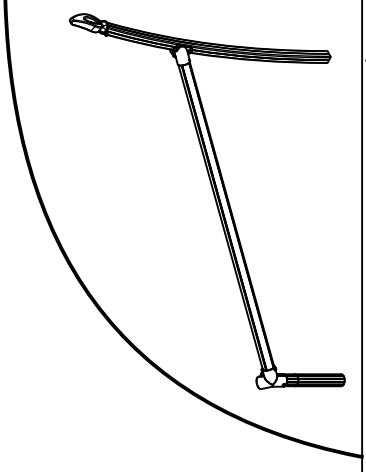
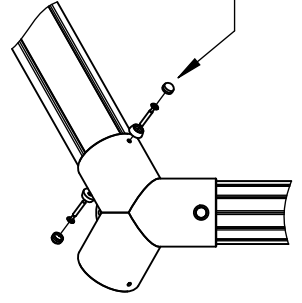
OK

NOK

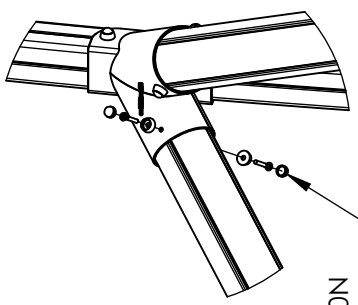
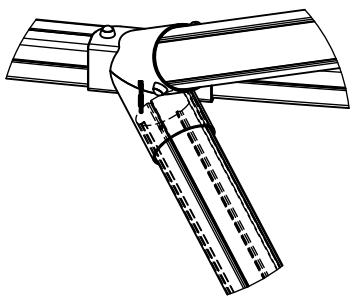
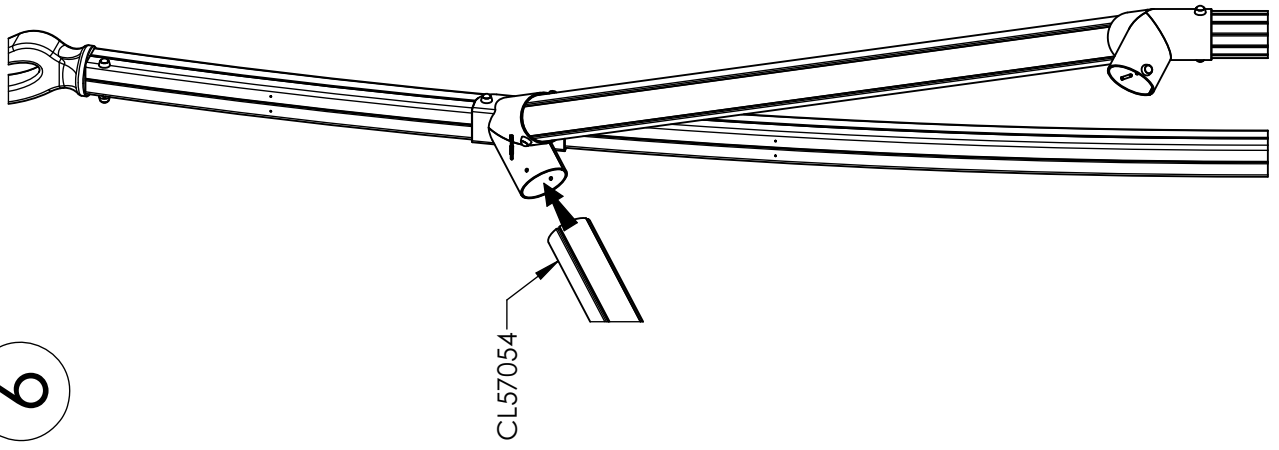
5



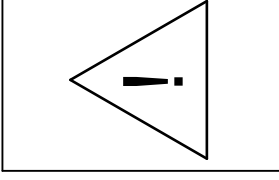
2x M8440N
2x VBT7x60
2x M8310N



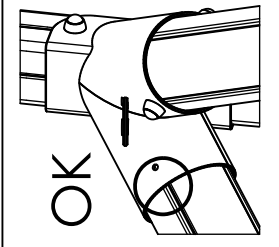
6



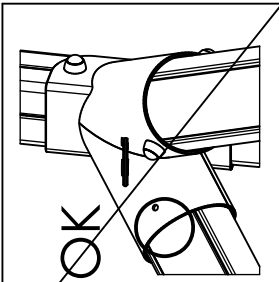
2x M8310N
2x VBT7x60
2x M8440N



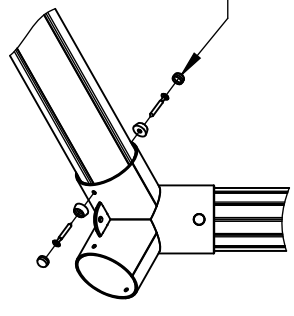
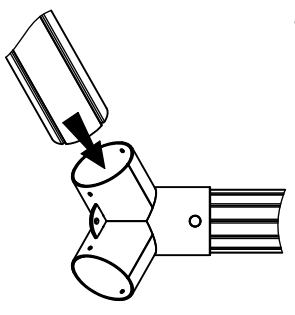
OK



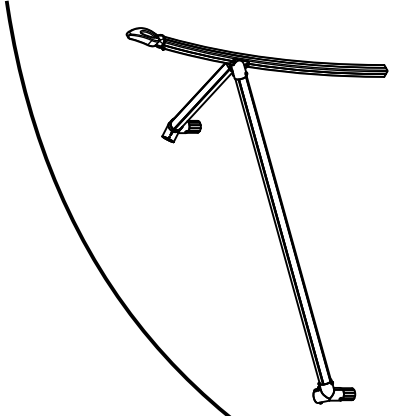
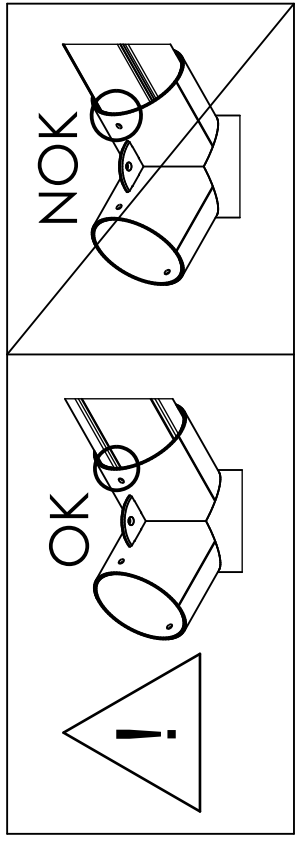
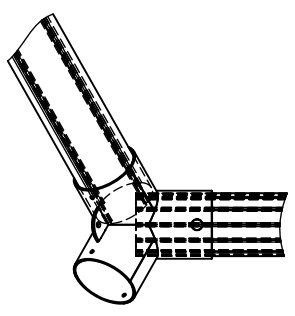
NOK



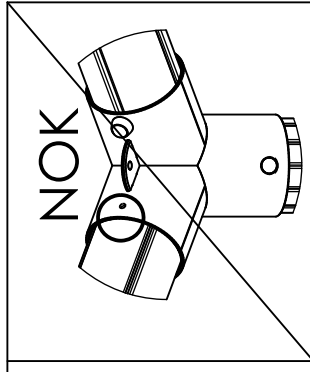
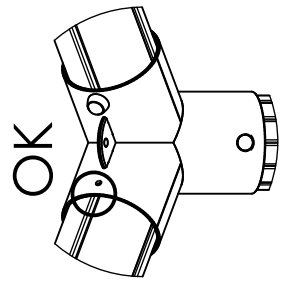
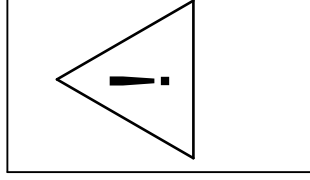
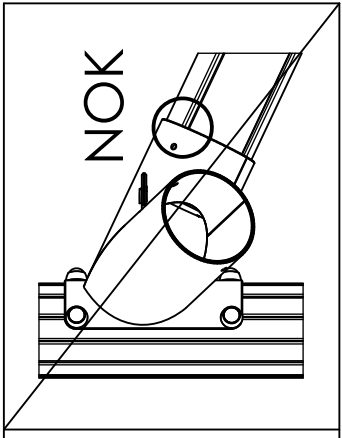
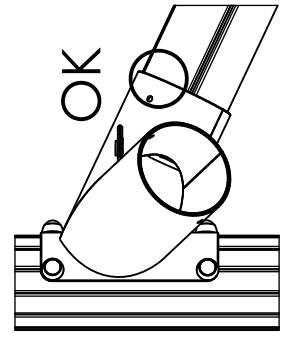
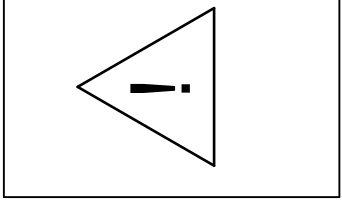
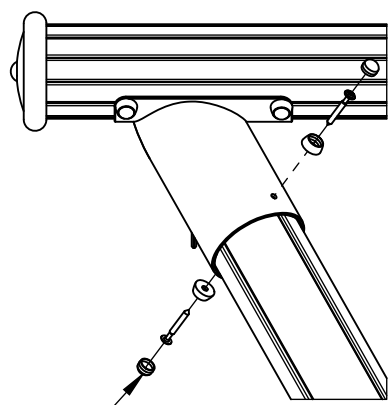
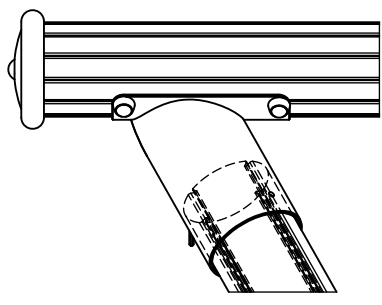
7



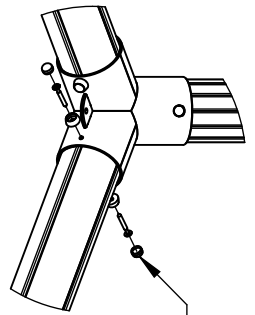
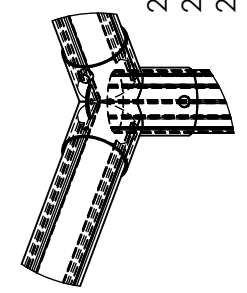
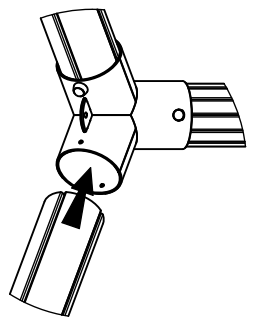
2x M8440N
2x VBT7x60
2x M8310N



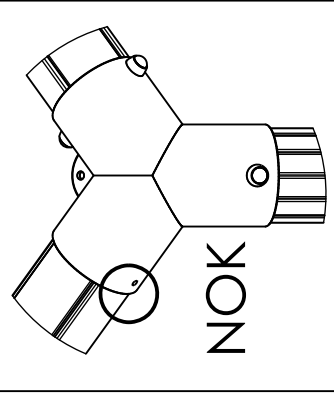
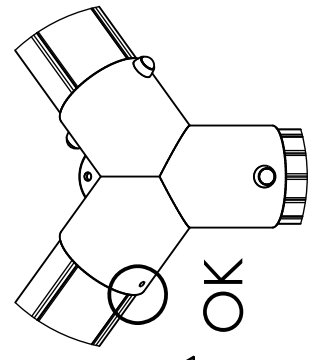
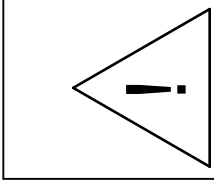
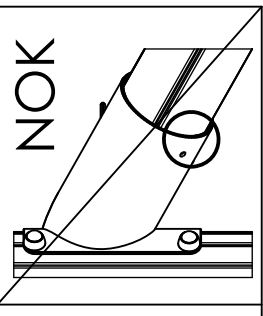
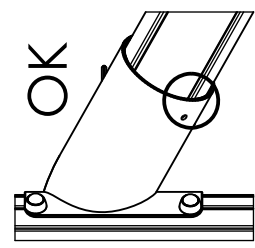
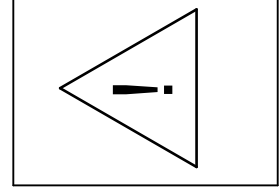
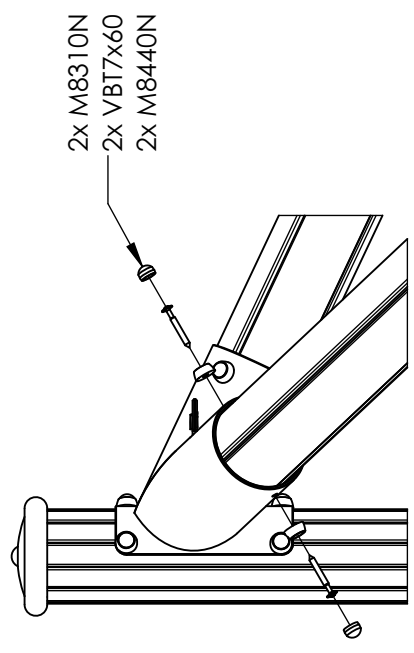
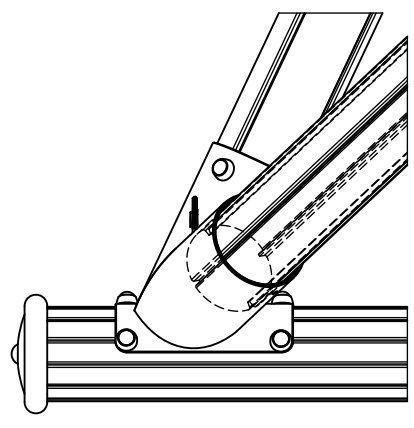
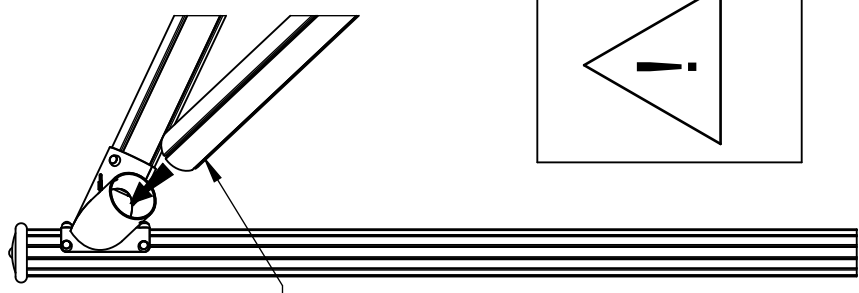
8



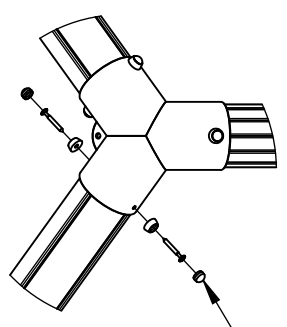
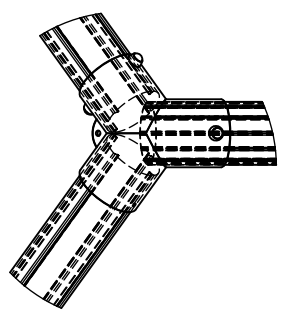
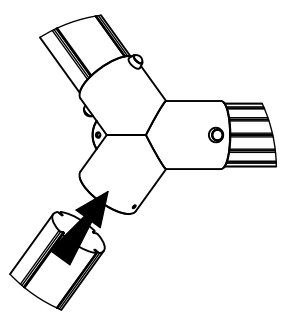
9



10



11

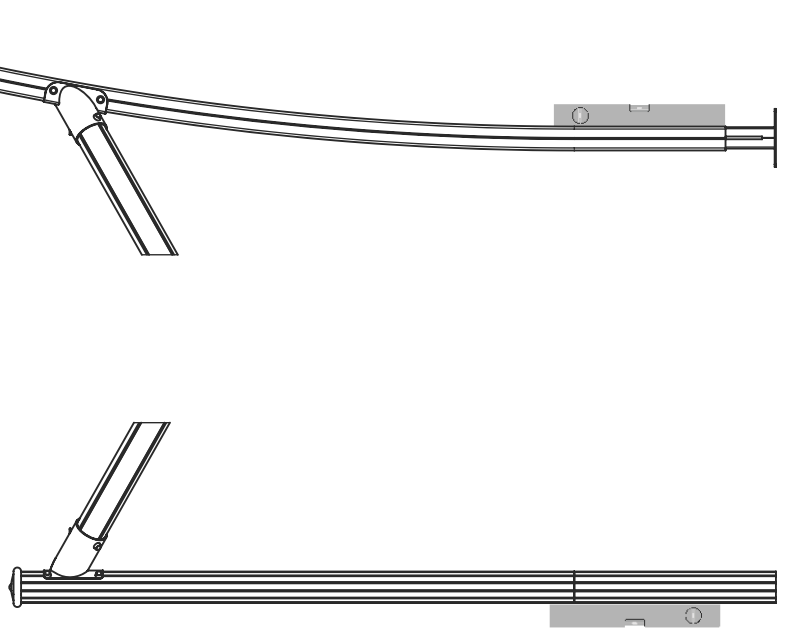
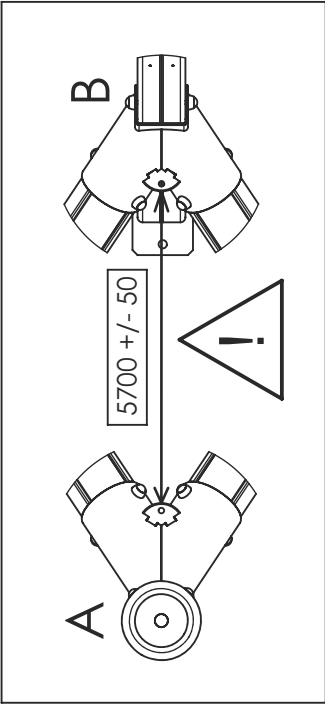
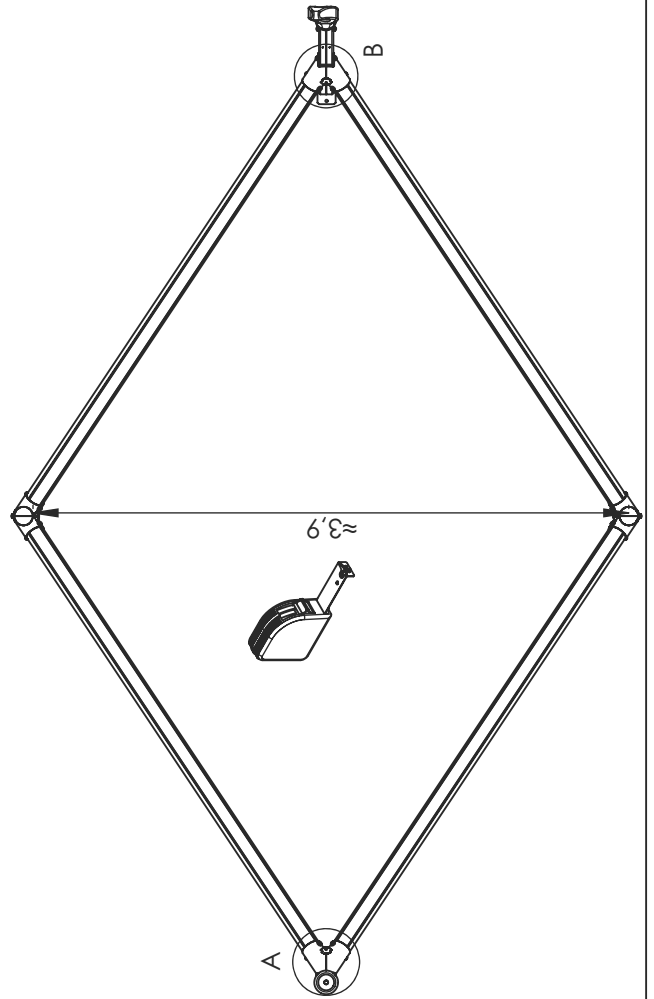
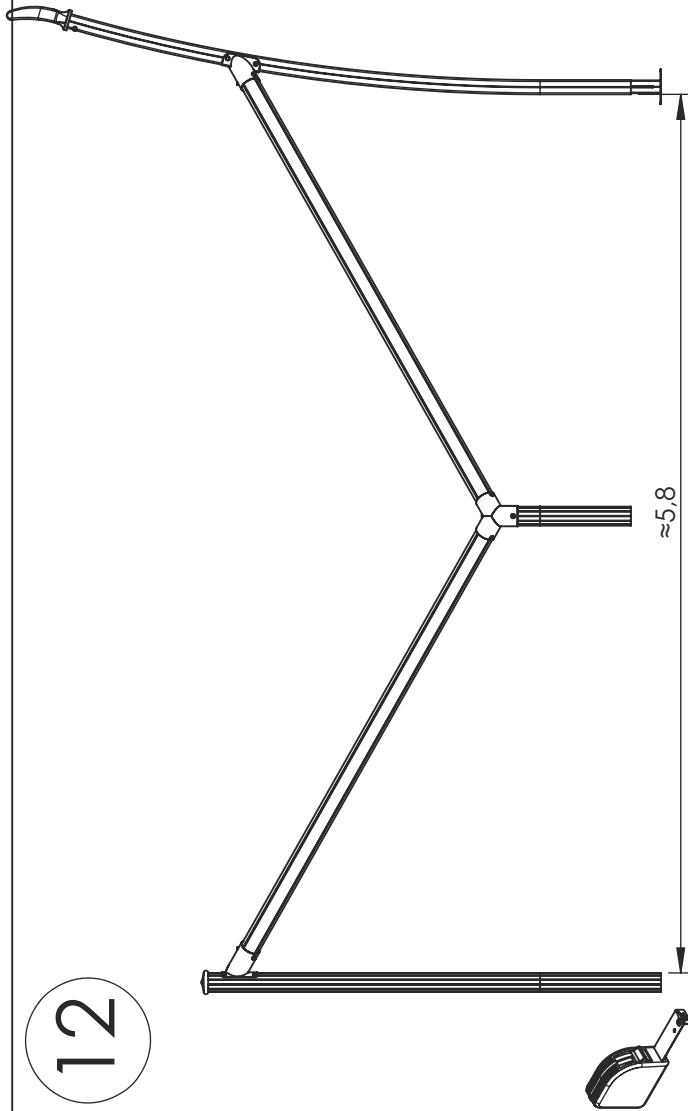


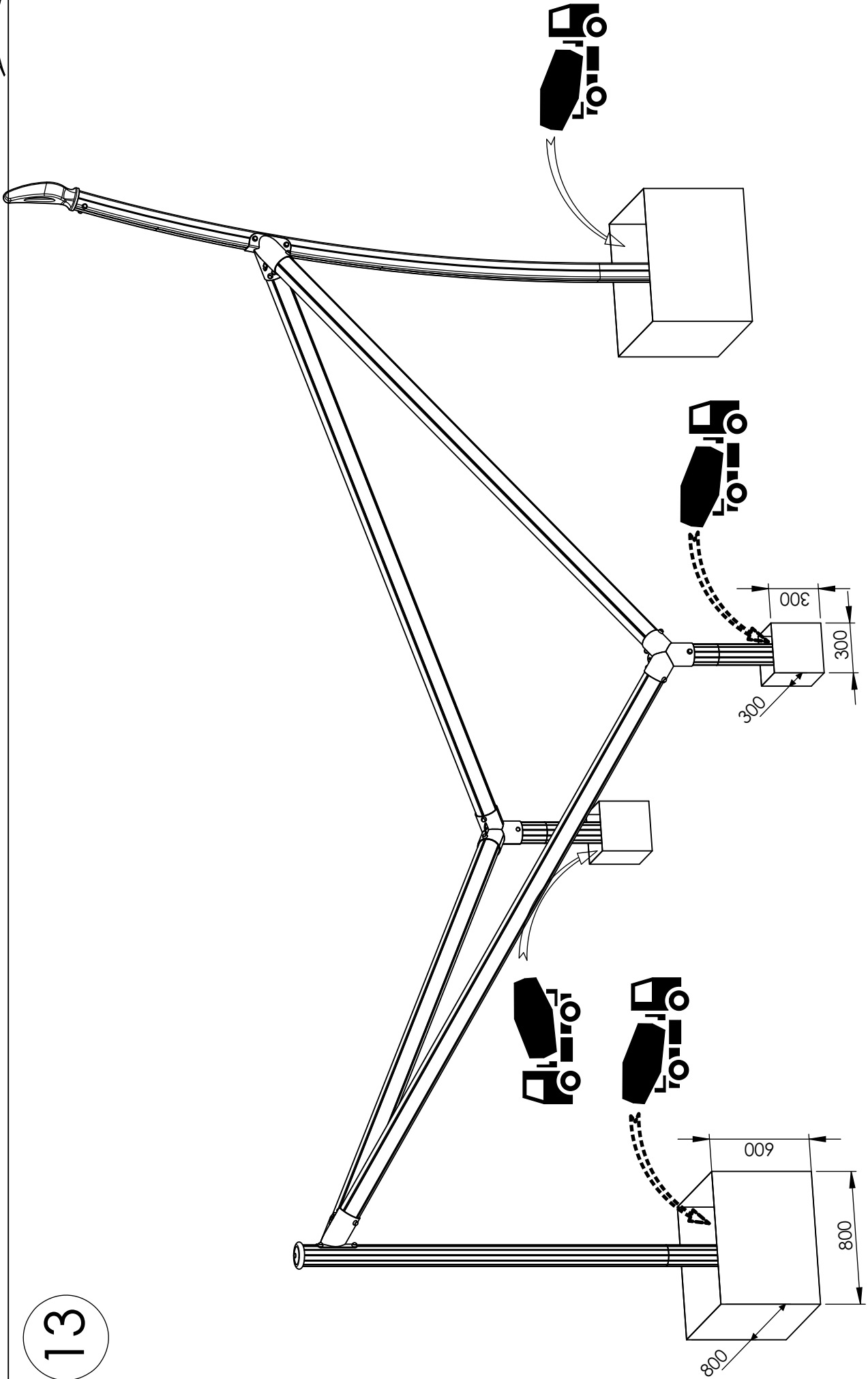
G57003A

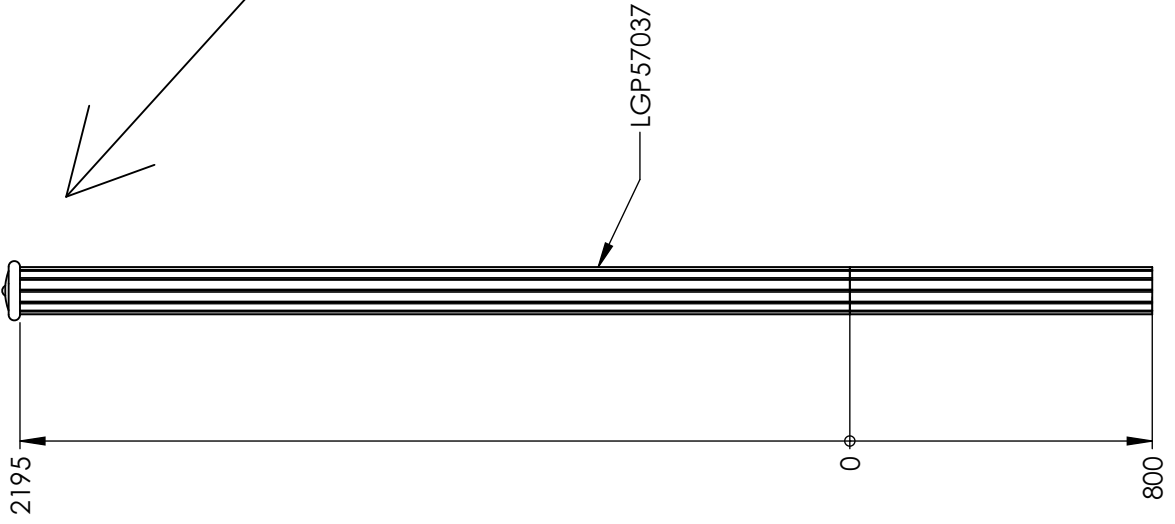
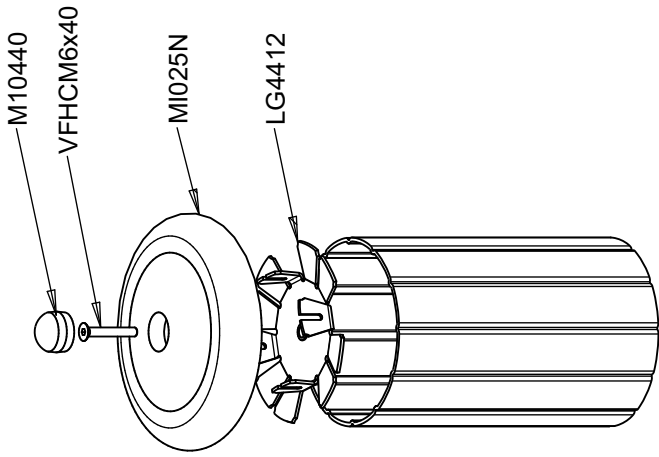
7/8

ProLogic

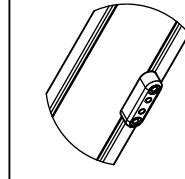
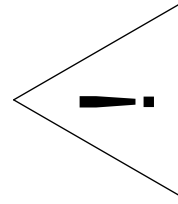
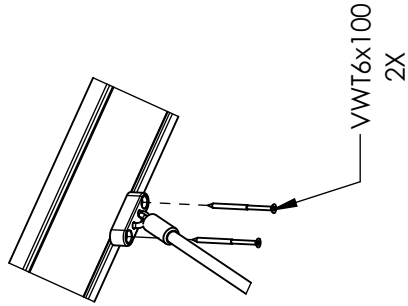
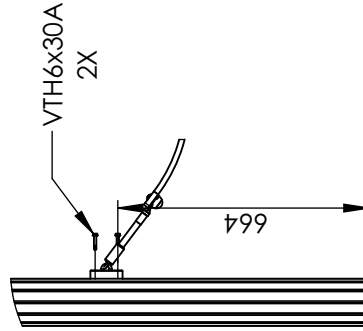
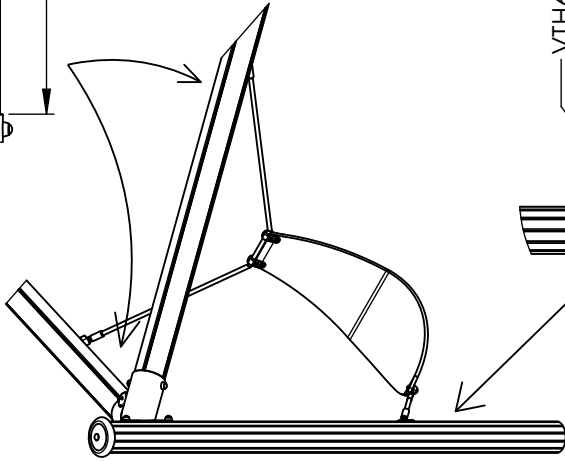
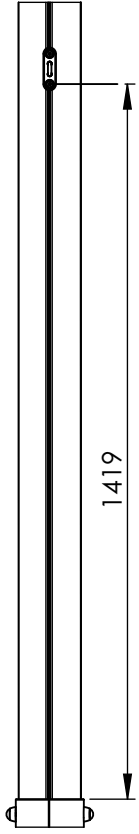
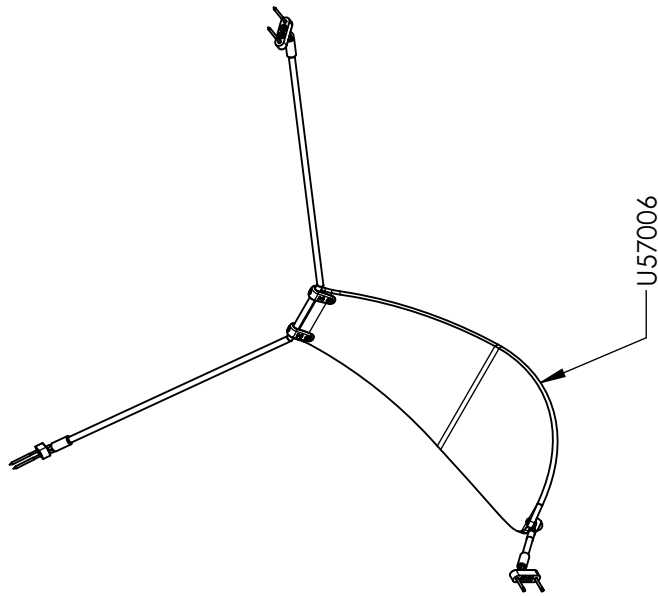
12



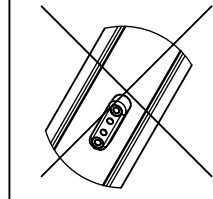




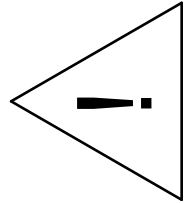
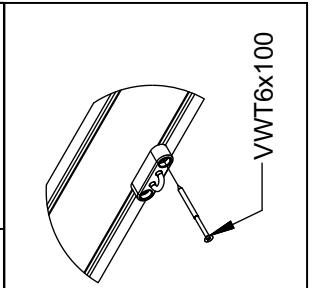
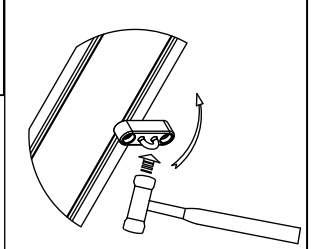
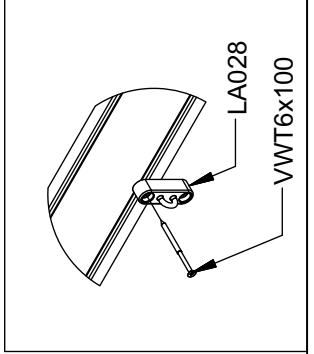
REF	QTE
LG4412	1
LGP57037	1
M10440N	1
MI025N	1
VFHCM6x40	1



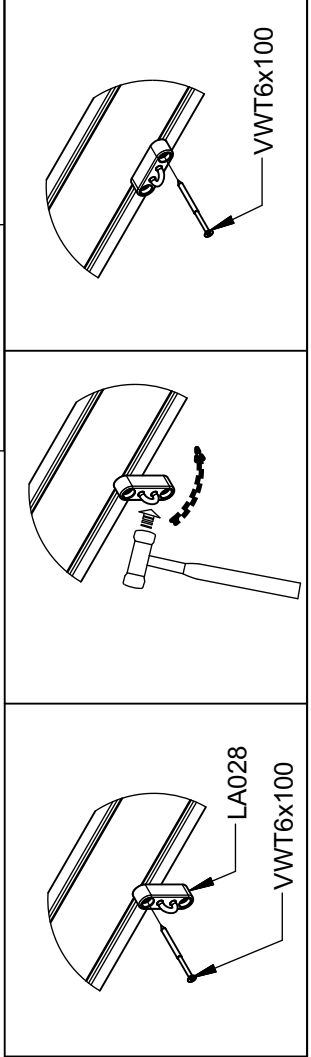
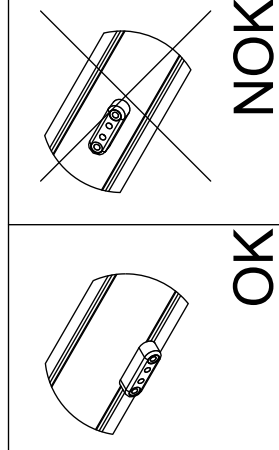
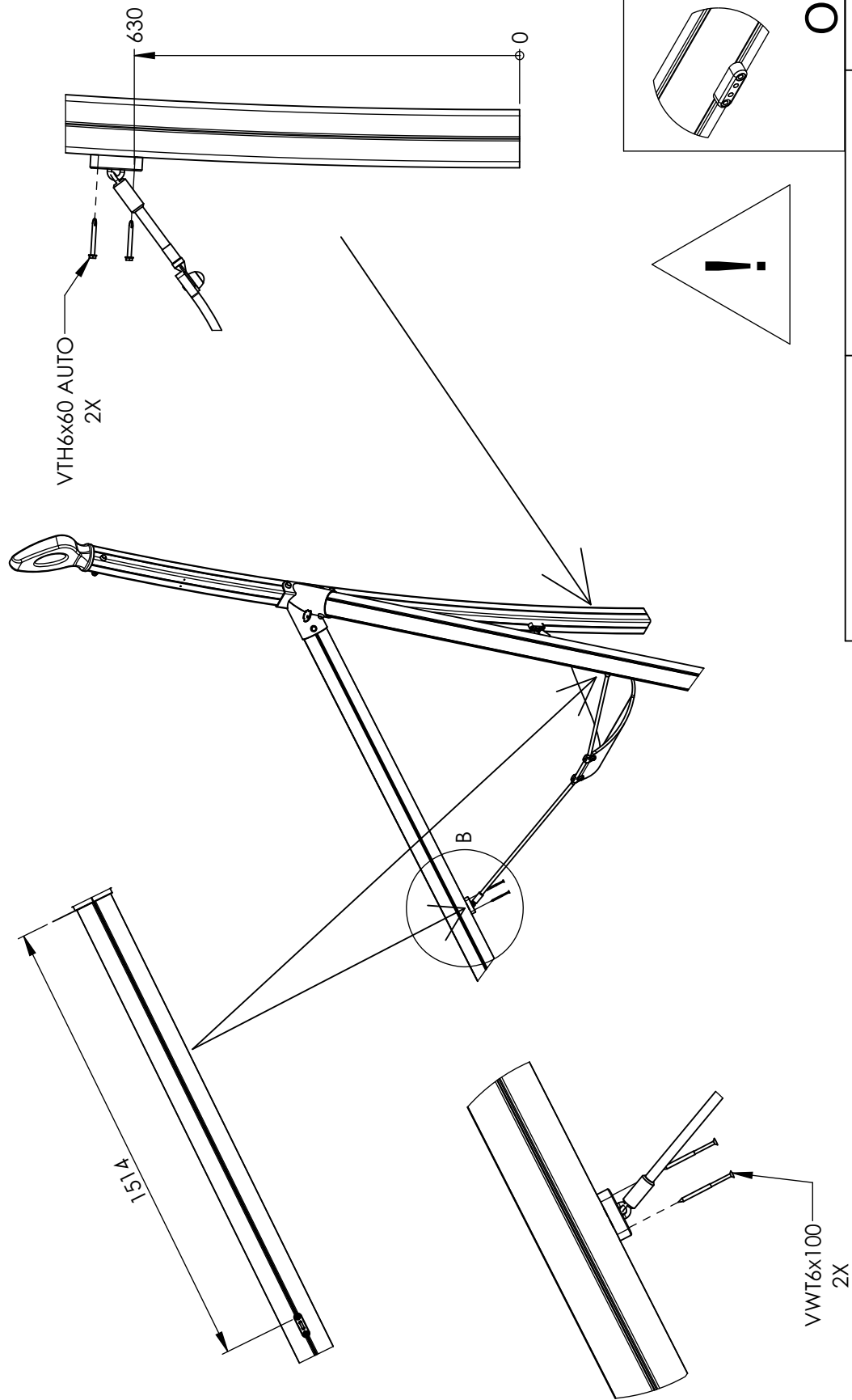
OK

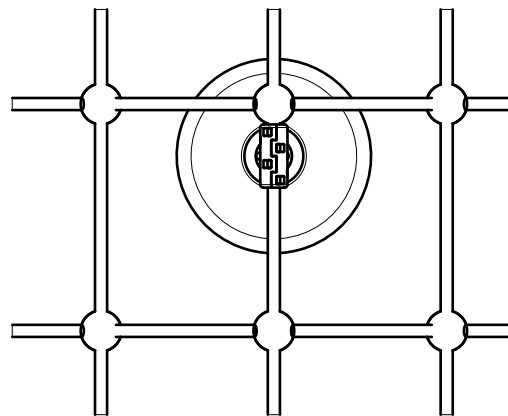
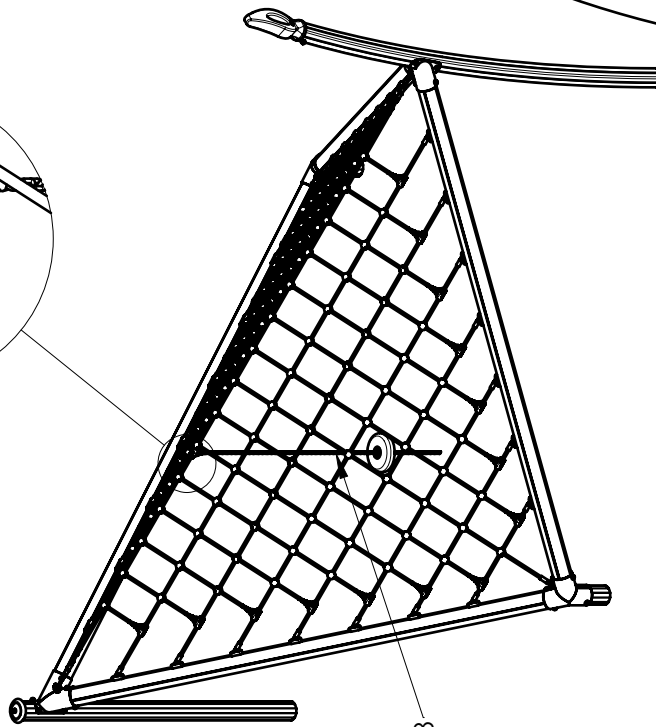
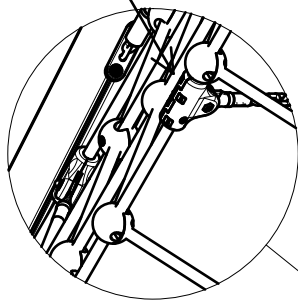
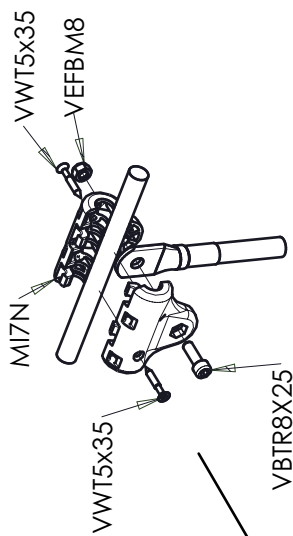
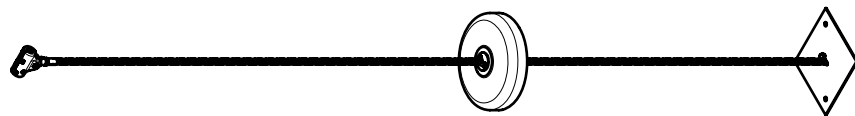


NOK



Réf	Qté
U57006	1
VTH6x60 AUTO	2
VWT6x100	4





REF	QTE
MI7N	2
U57008	1
VBTR8X25	1
VEFBM8	1
VWT5x35	2