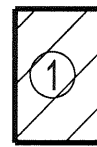


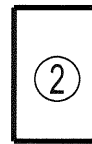
| N° | | M ² |
|----|-------|----------------------|
| ① | 1.4 m | 58.5 m ² |
| ② | 1.4 m | 115.5 m ² |

EN1176-1 : 2017

EN1176-2 : 2017



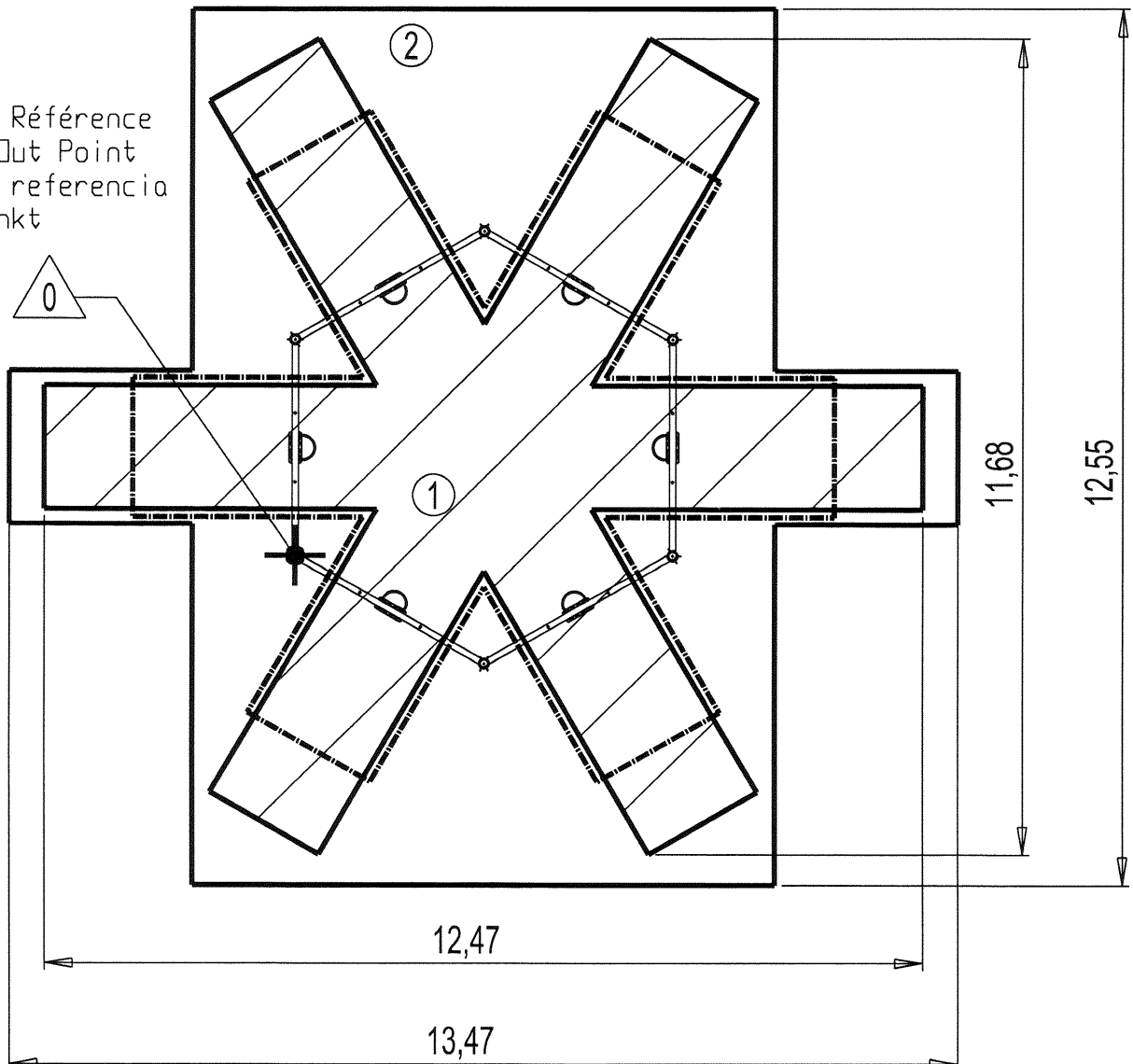
Zone d'Impact Sol souple
Impact Area Wetpour
Area de Impacto
Fallraum bei synthetischen Fallschutz

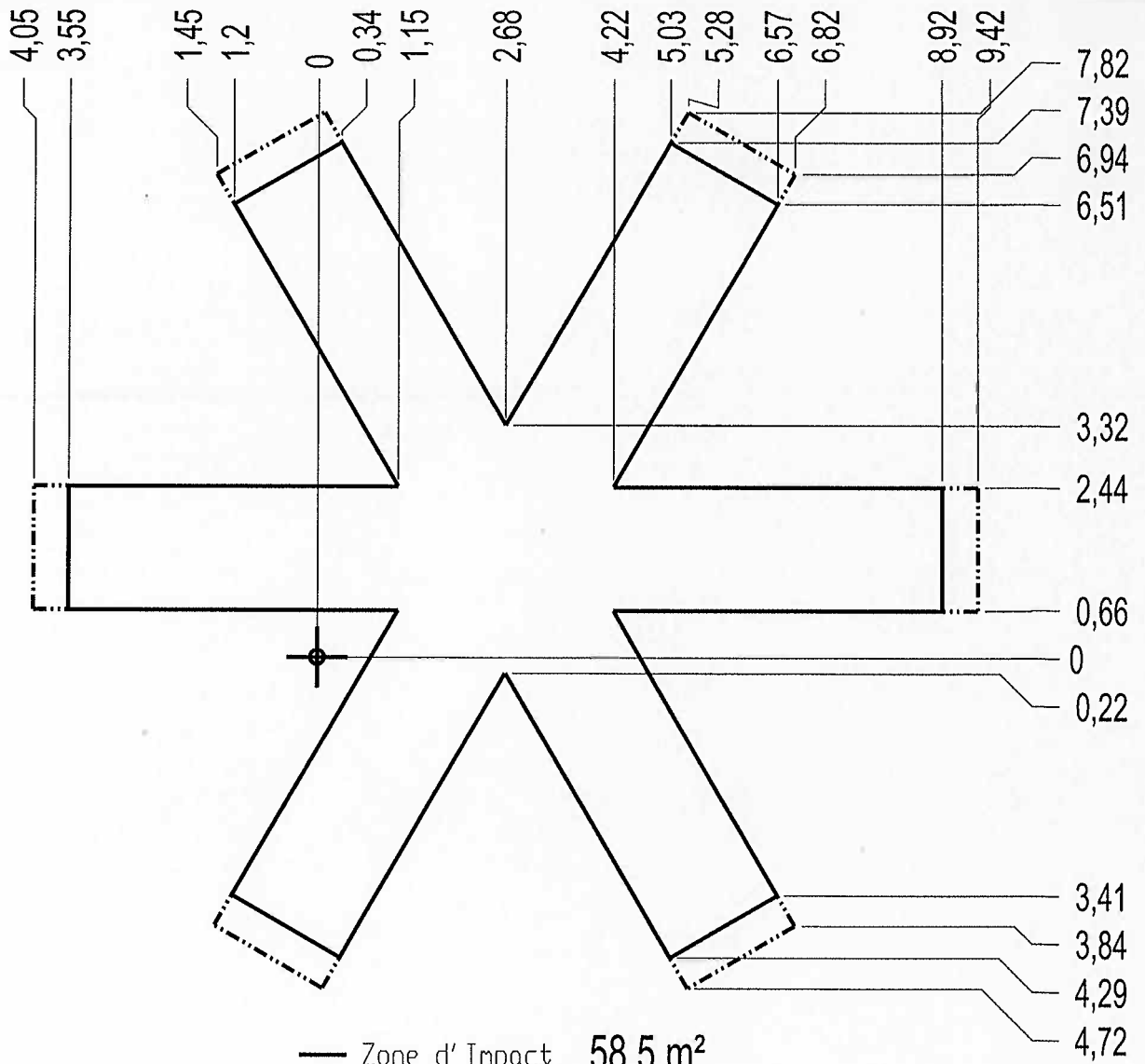


Zone d'Impact Sol fluent
Impact Area Loose particle material
Arenero
Fallraum bei losen Bodenmaterial

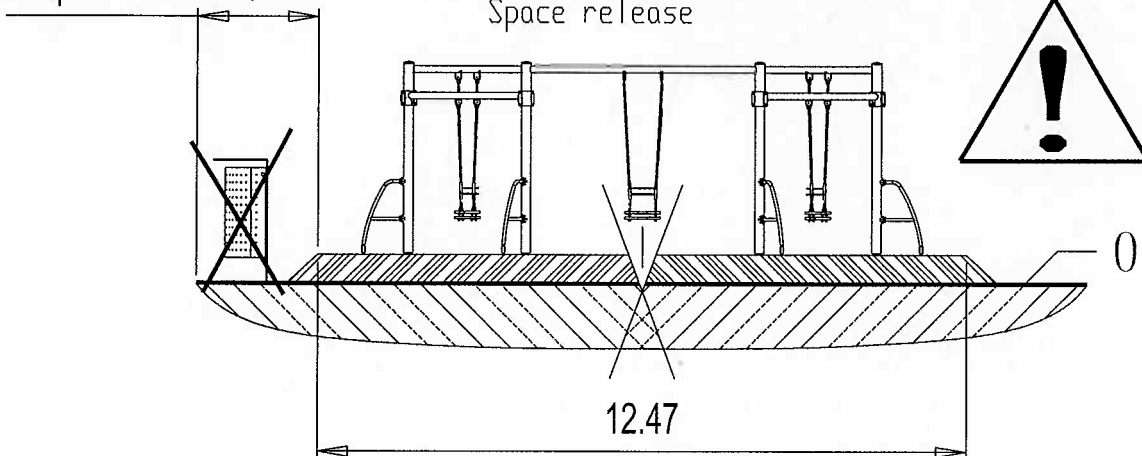
----- Espace libre
Free Space
Espacio Libre
Freiraum

Point de Référence
Setting Out Point
Punto de referencia
Bezugspunkt

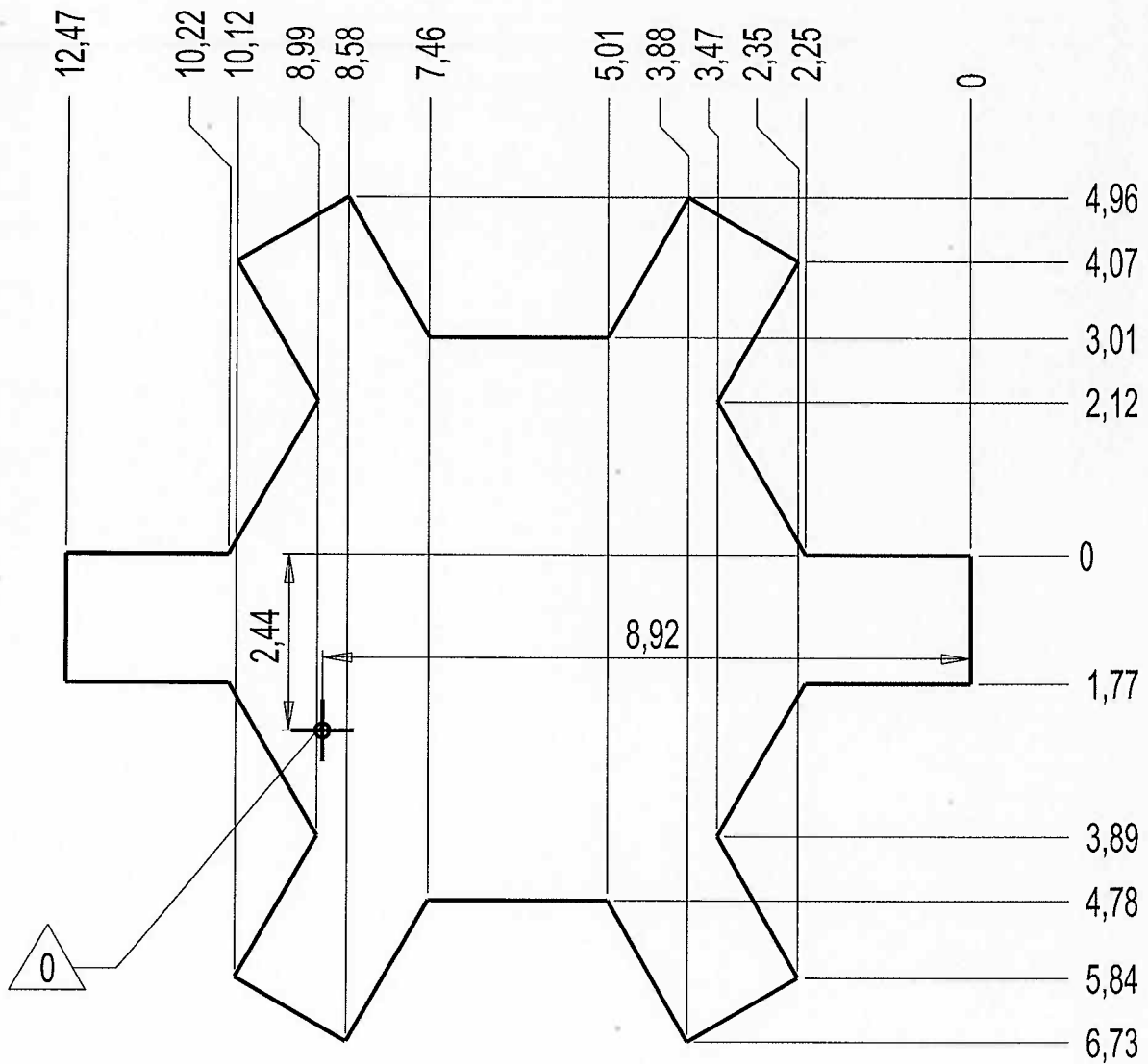




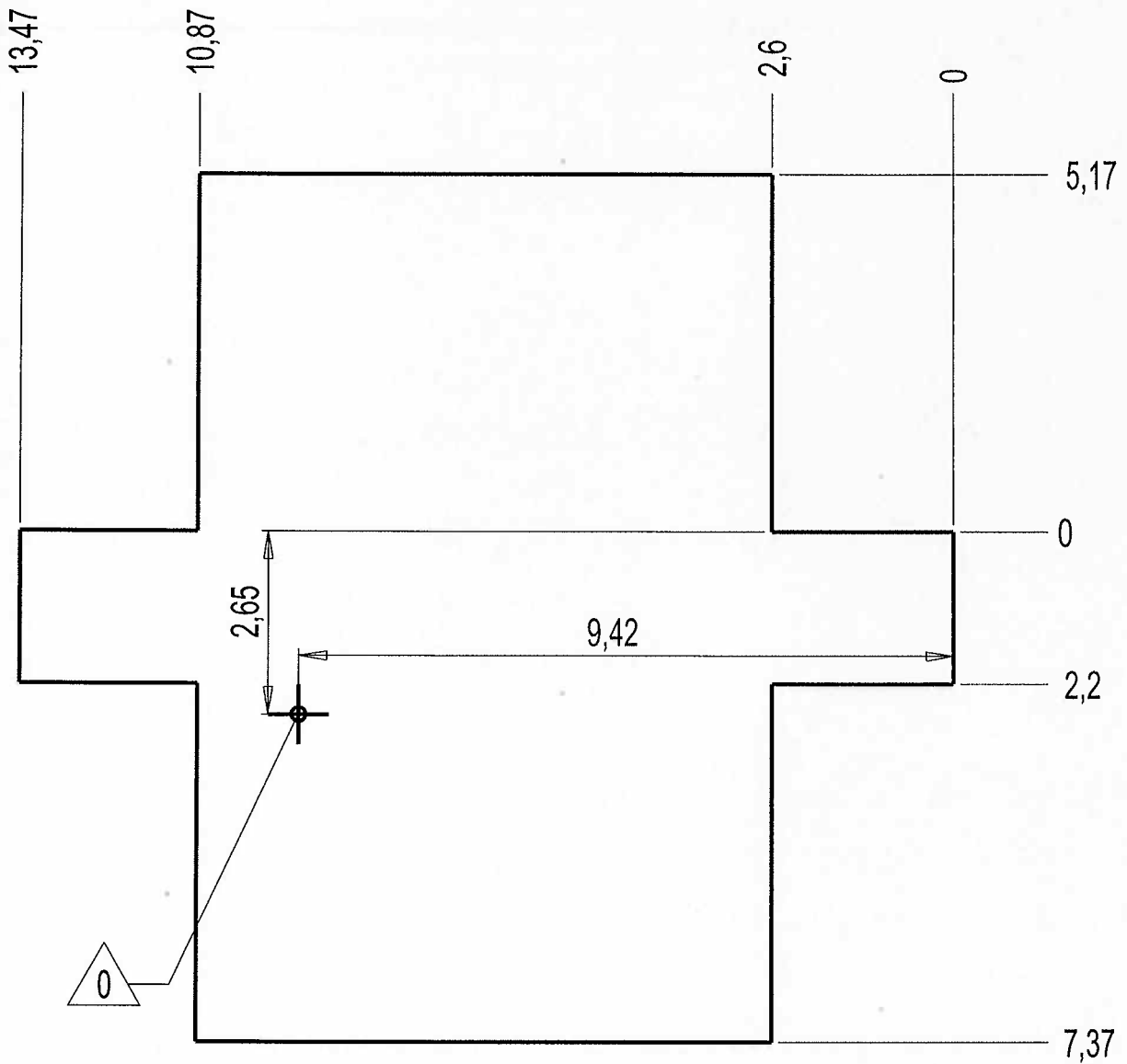
Espace de dégagement
 Space release =
 Zone Impact +500
 Impact Area +500



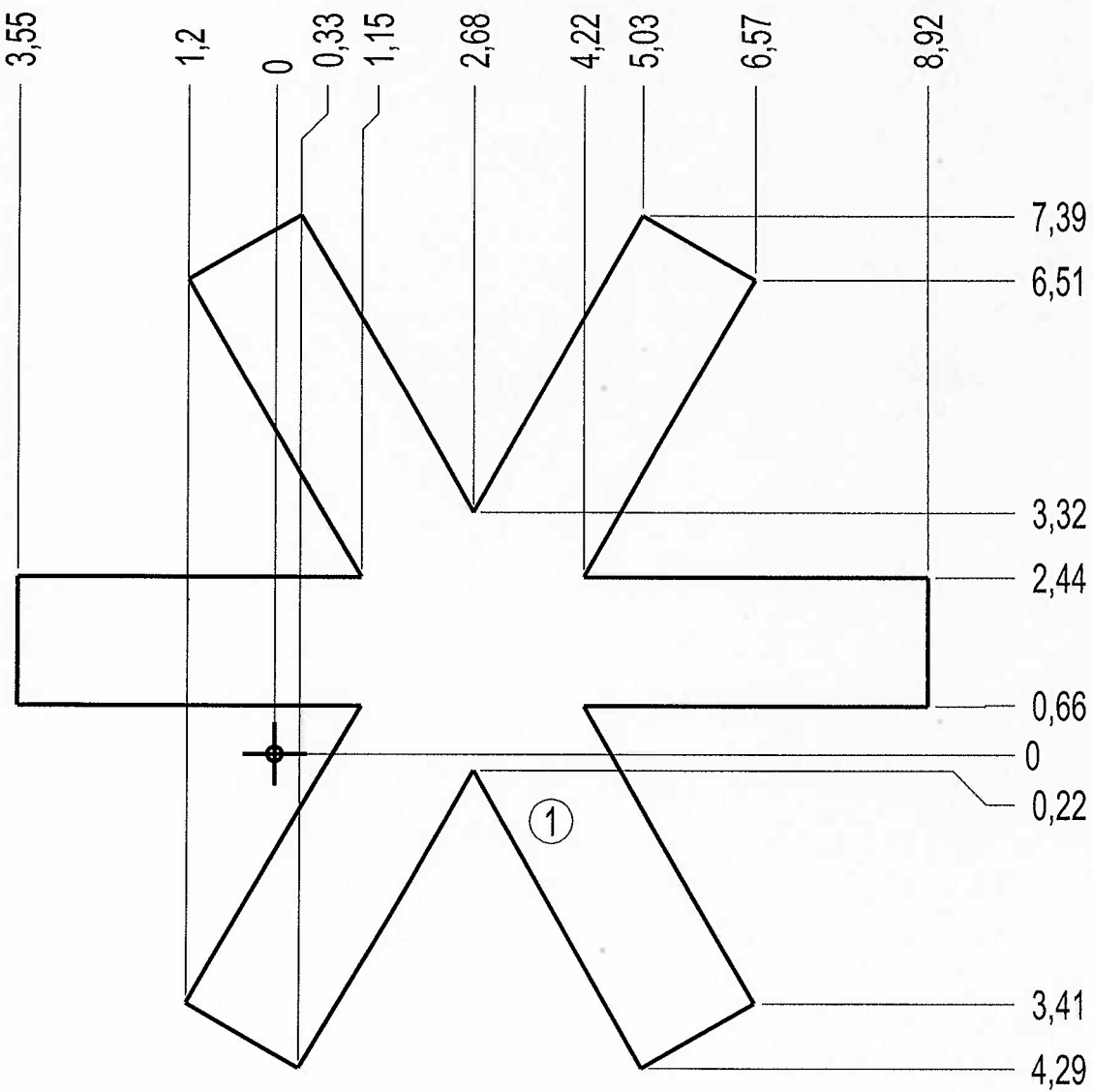
— Dalle béton 52.5 m
 Concrete pad 74 m²
 Solera de Hornigón
 Beton Bodenplatte

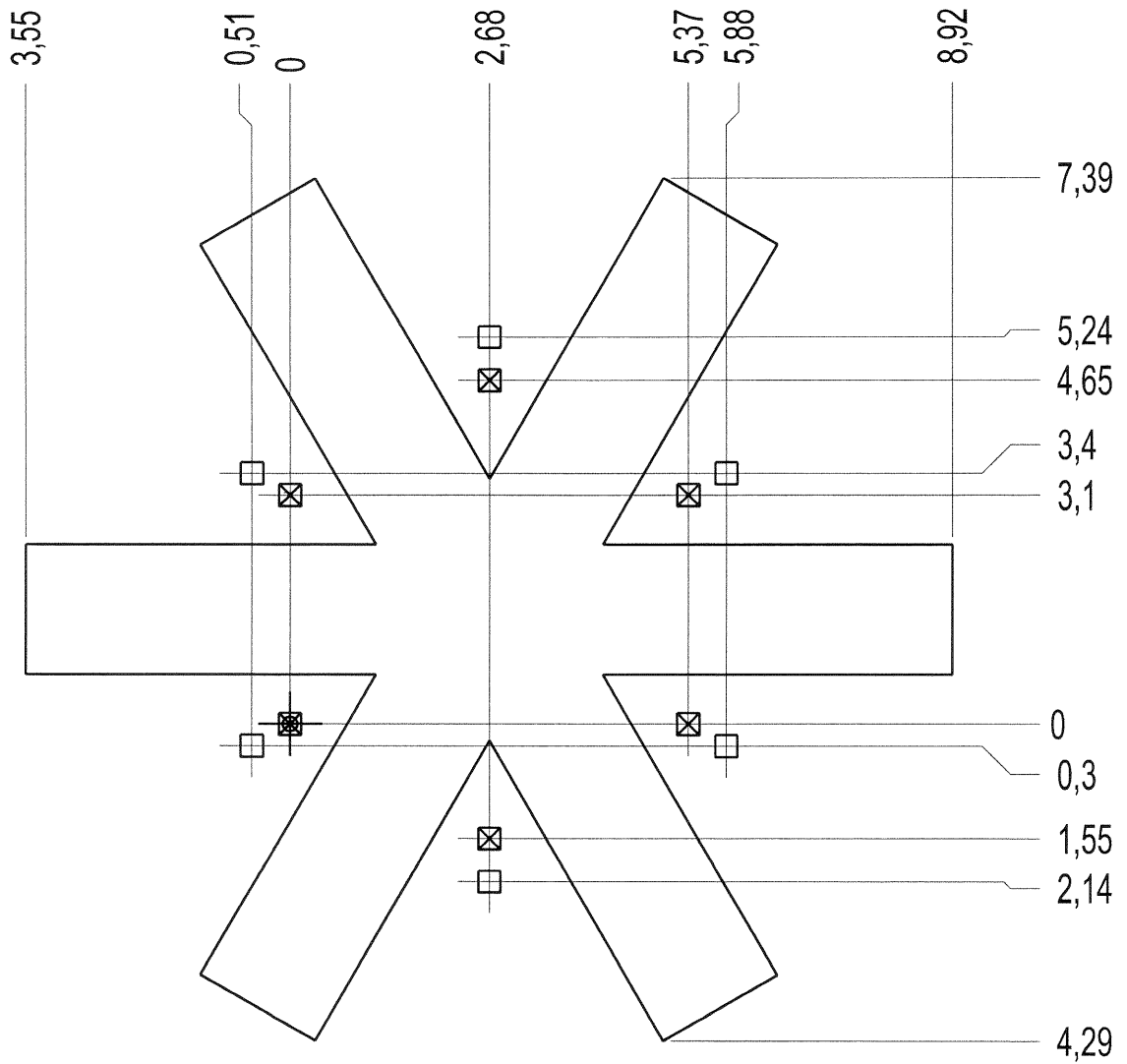


— Sol fluent 52 m
Loose particle material 115.5 m²
Arenero
Loses Bodennmaterial




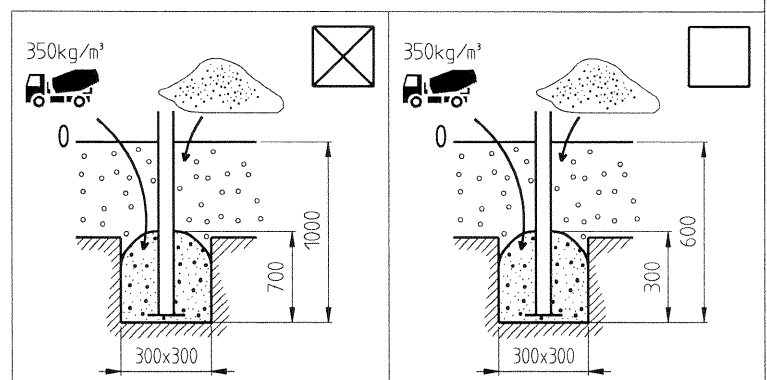
— Sol souple 58.5 m²
 Wetpour
 Caucho Continuo
 Synthetischer Fallschutz

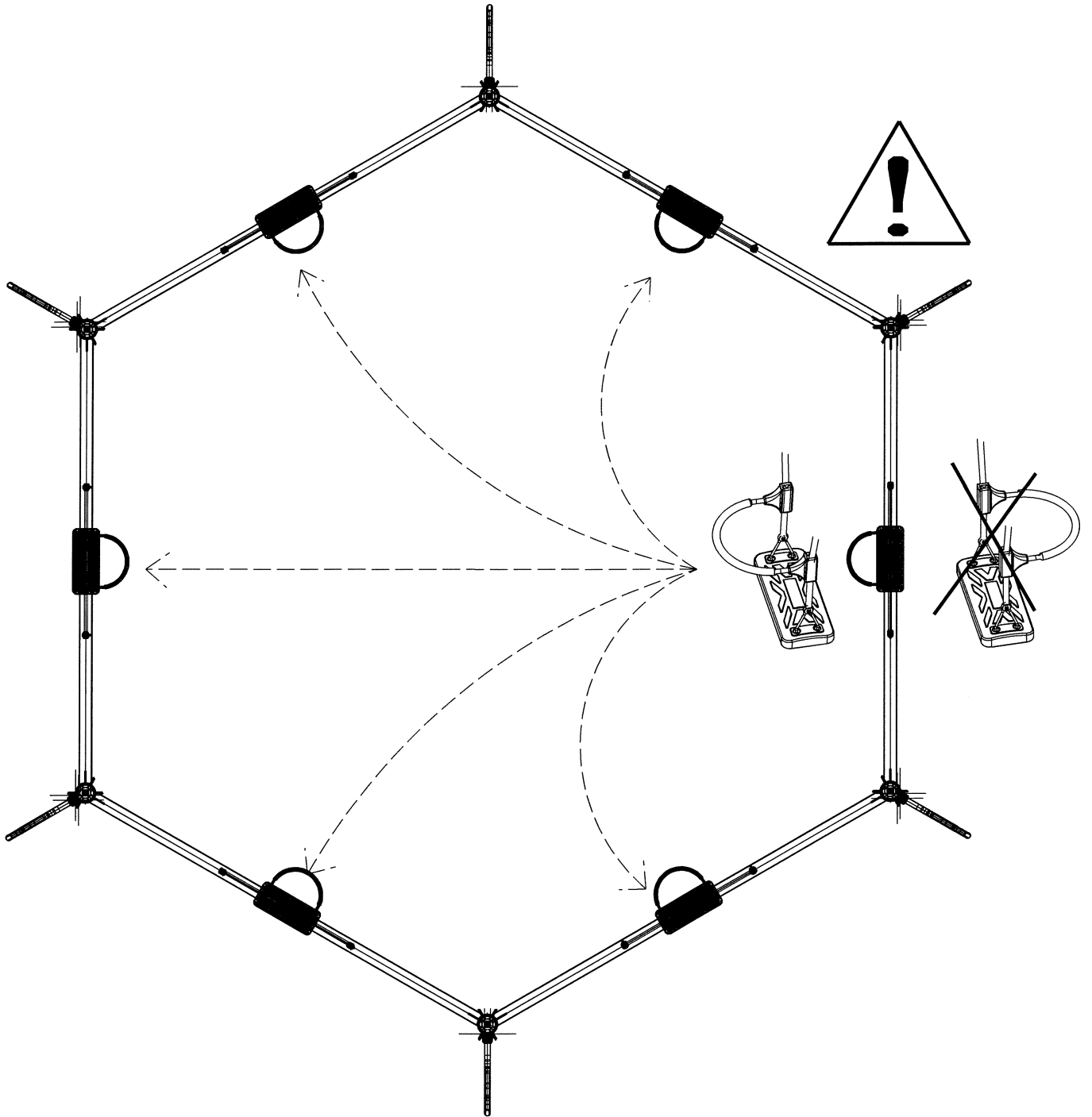


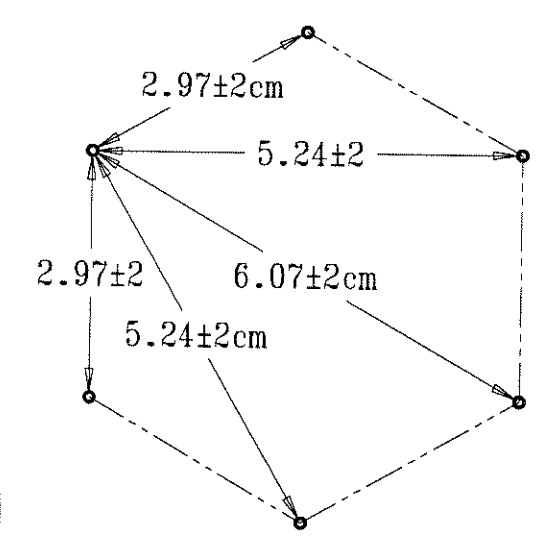
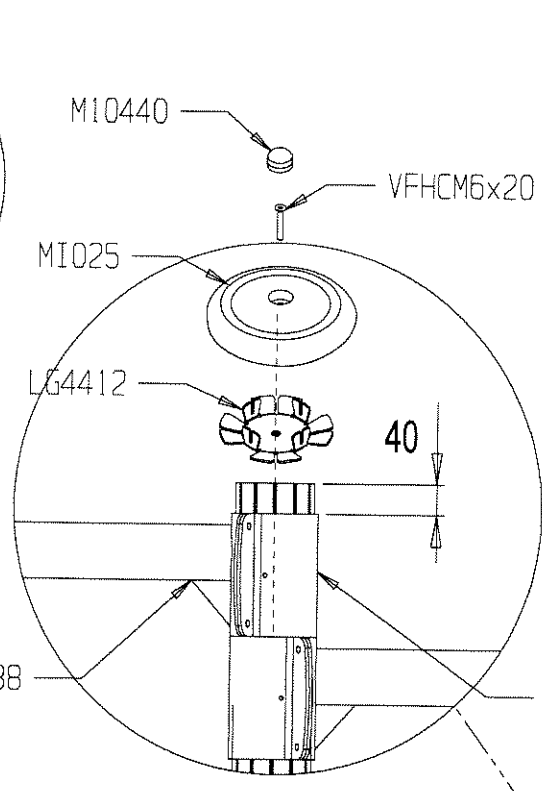
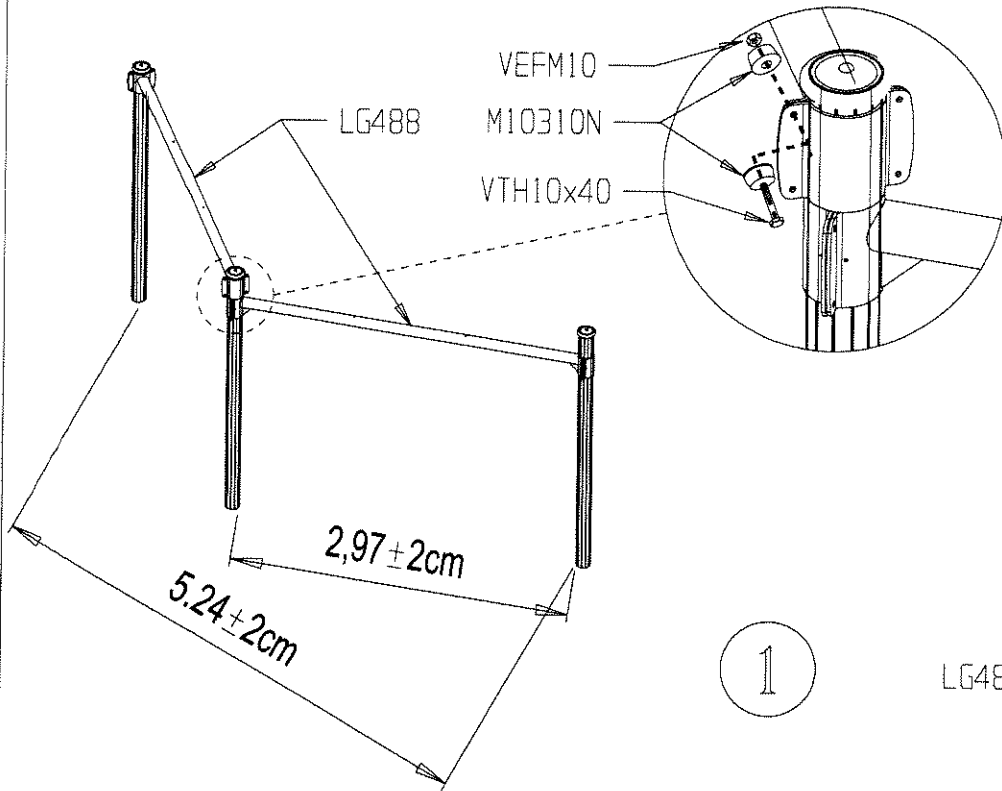


Implantation
 Footing plan
 Implantación
 Fundamentplan

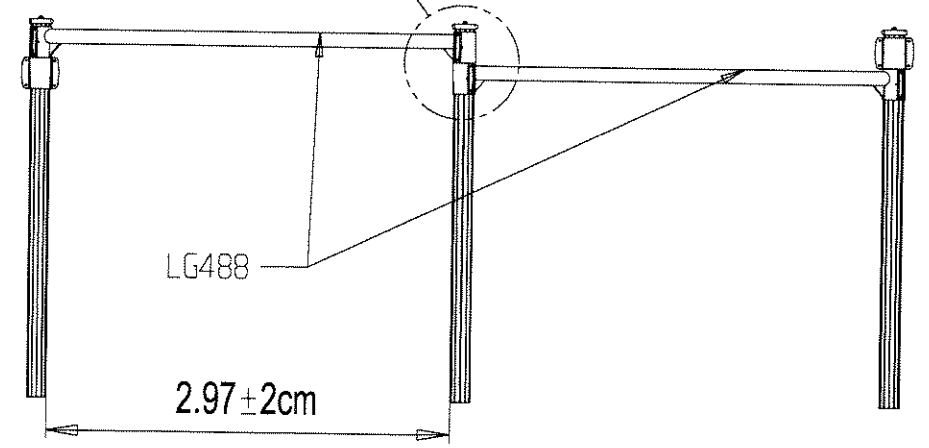
| | | |
|--|--|--|
|  x2 |  3H30 |  0.54m ³ |
|--|--|--|





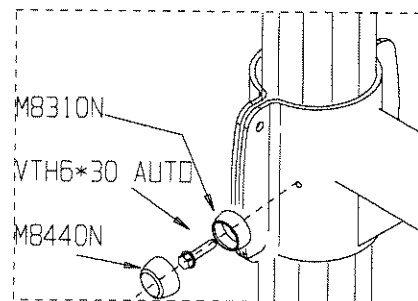
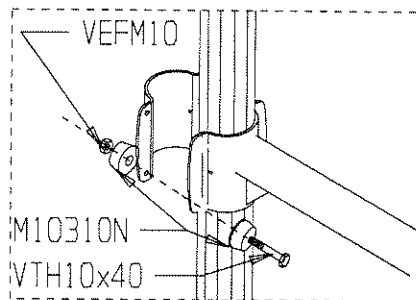


1

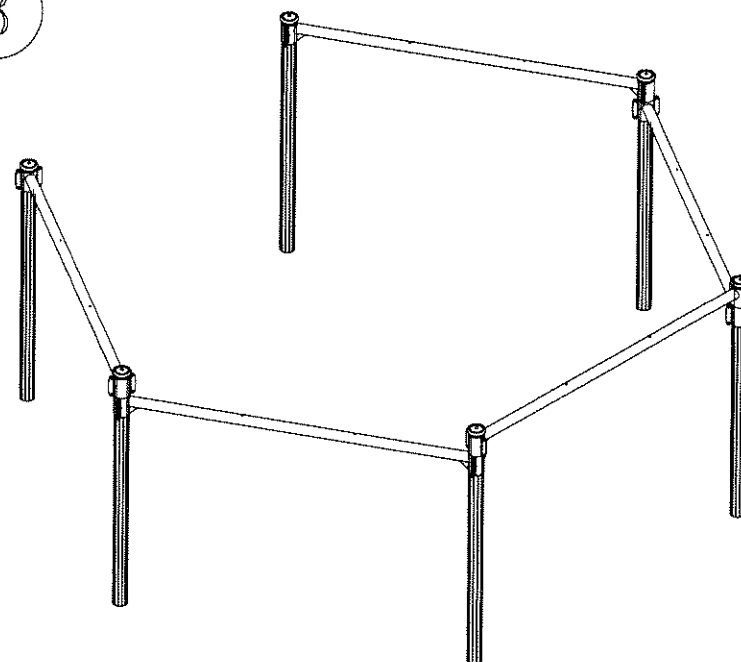
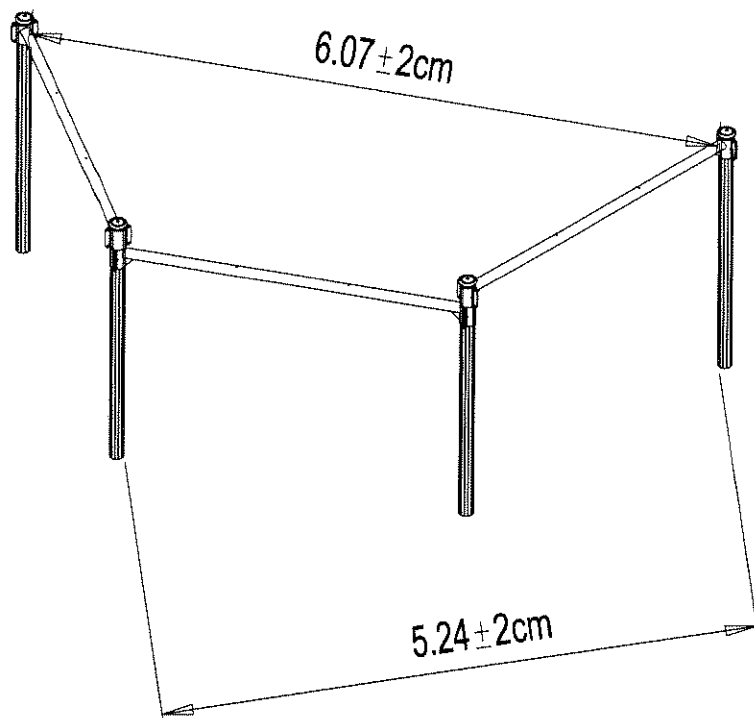


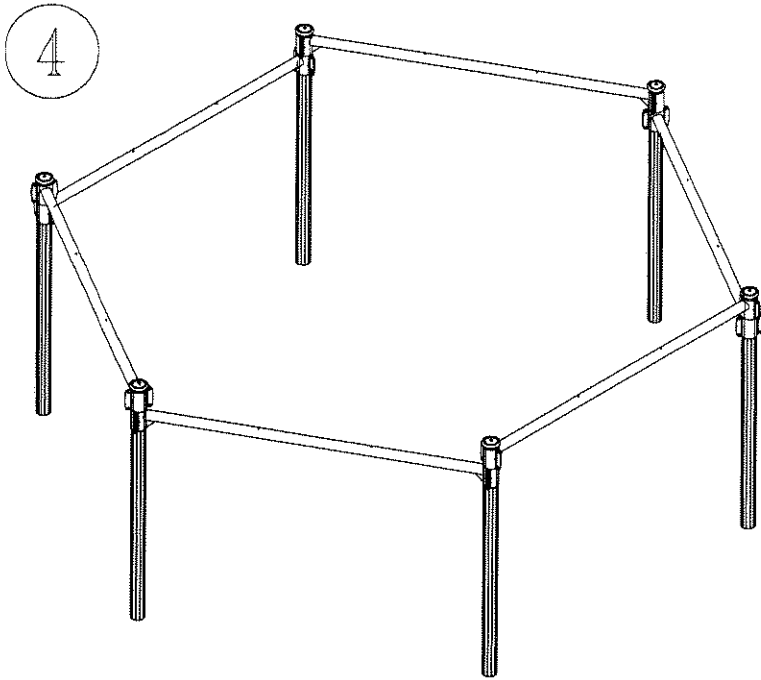
| | | |
|--|-----------|-----|
| | VFHCM6x20 | 6 |
| | MI025 | 6 |
| | LG4412 | 6 |
| | M10440N | 102 |
| | M10310N | 96 |
| | VEFM10 | 48 |
| | VTH 10x40 | 48 |

2

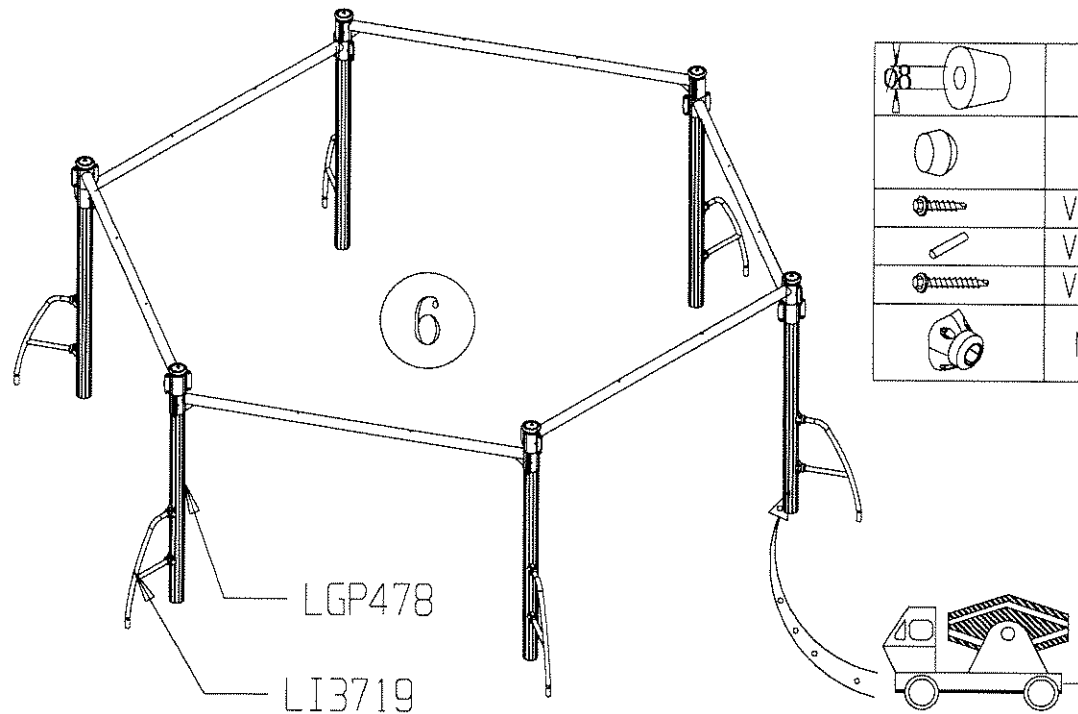
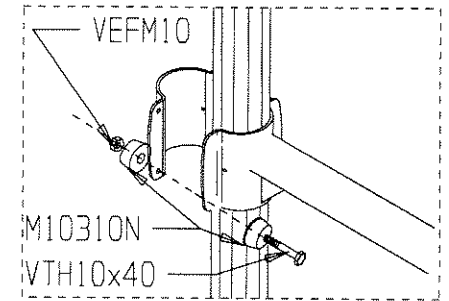
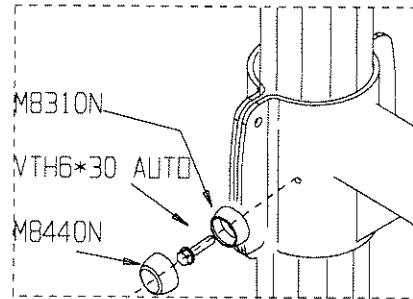


3

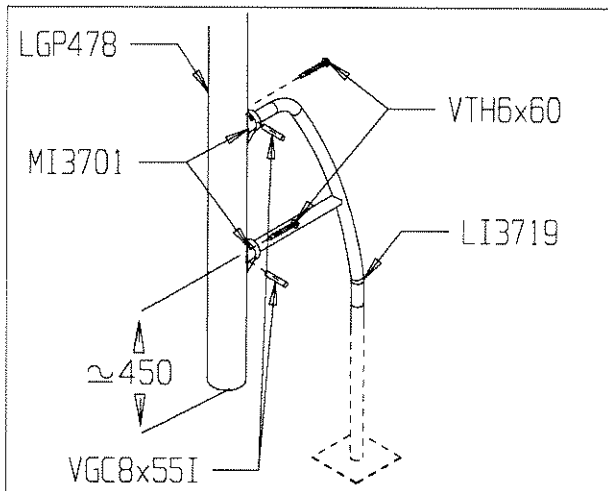




5

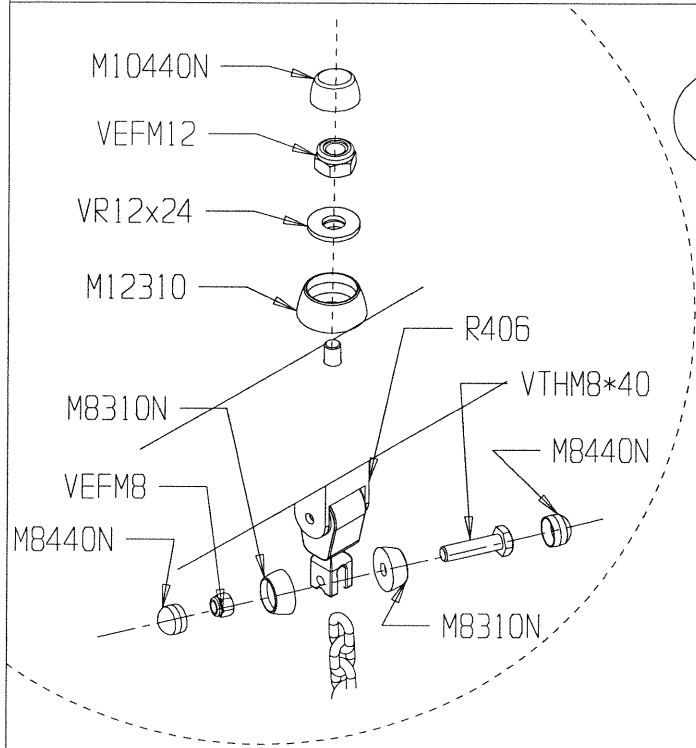


| | | |
|--|----------|----|
| | M8310N | 48 |
| | M8440N | 48 |
| | VTH6*30A | 48 |
| | VGC8*55I | 12 |
| | VTH 6x60 | 48 |
| | MI3701N | 12 |

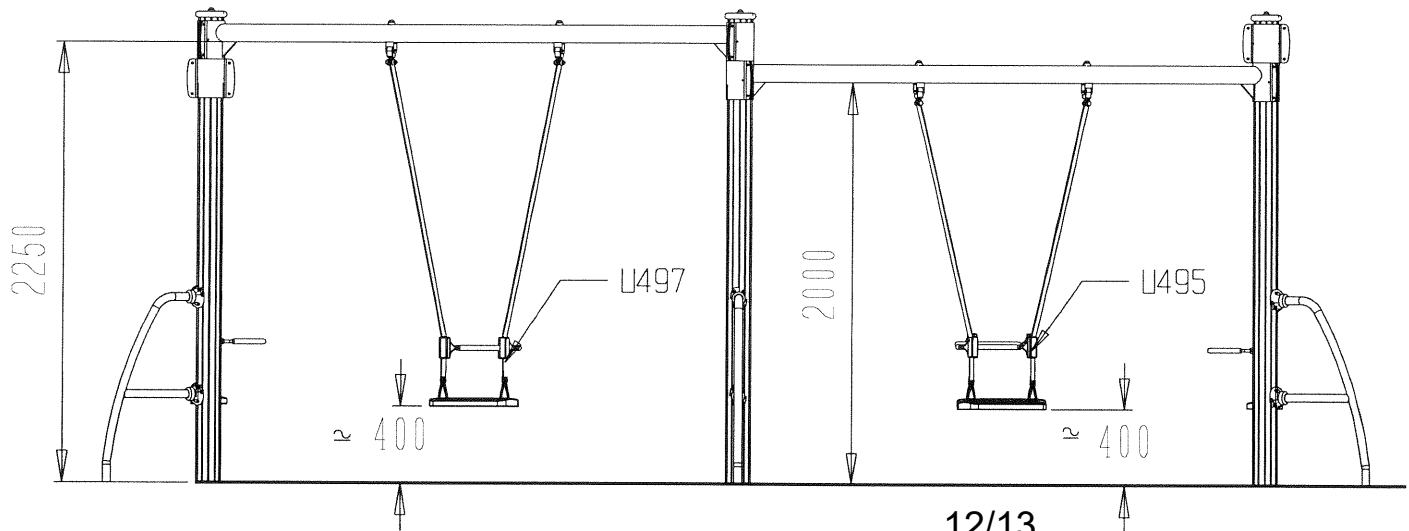
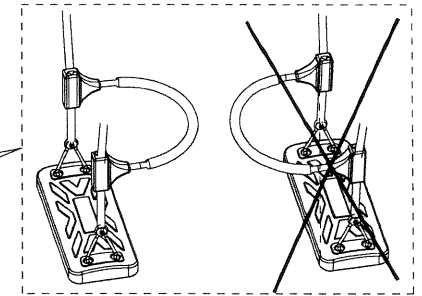
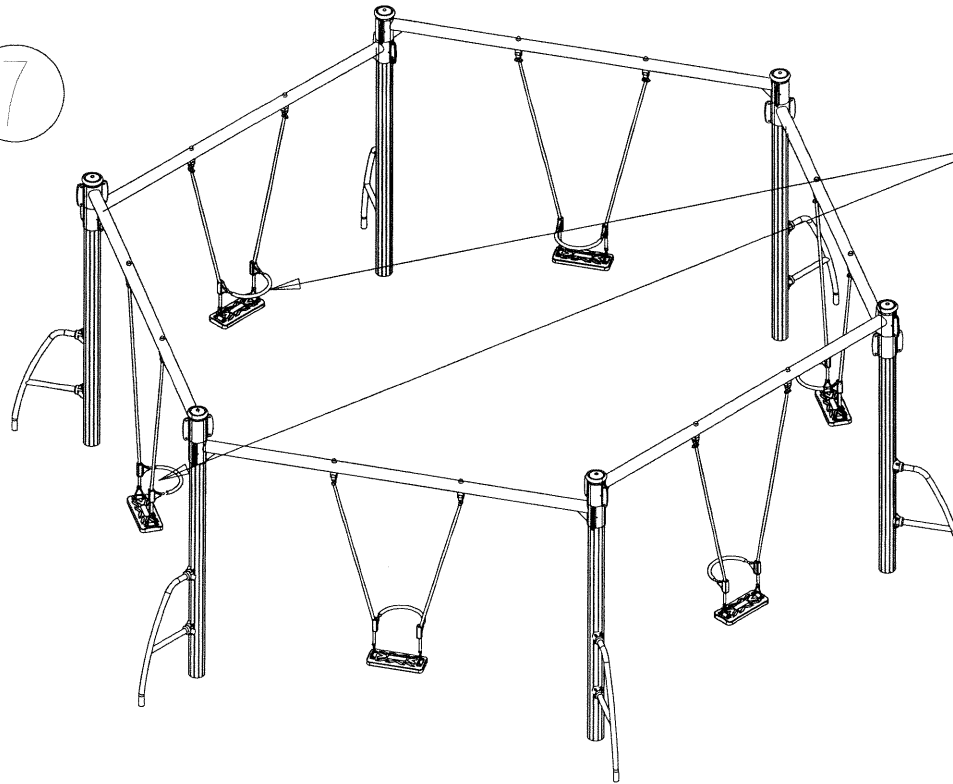


J483

Proludic



7



| | | |
|--|---------|----|
| | R406 | 12 |
| | M8310N | 24 |
| | M8440N | 24 |
| | M12310 | 12 |
| | VEFM12 | 12 |
| | VR12x24 | 12 |
| | M10440N | 12 |



LA000



MI0002

