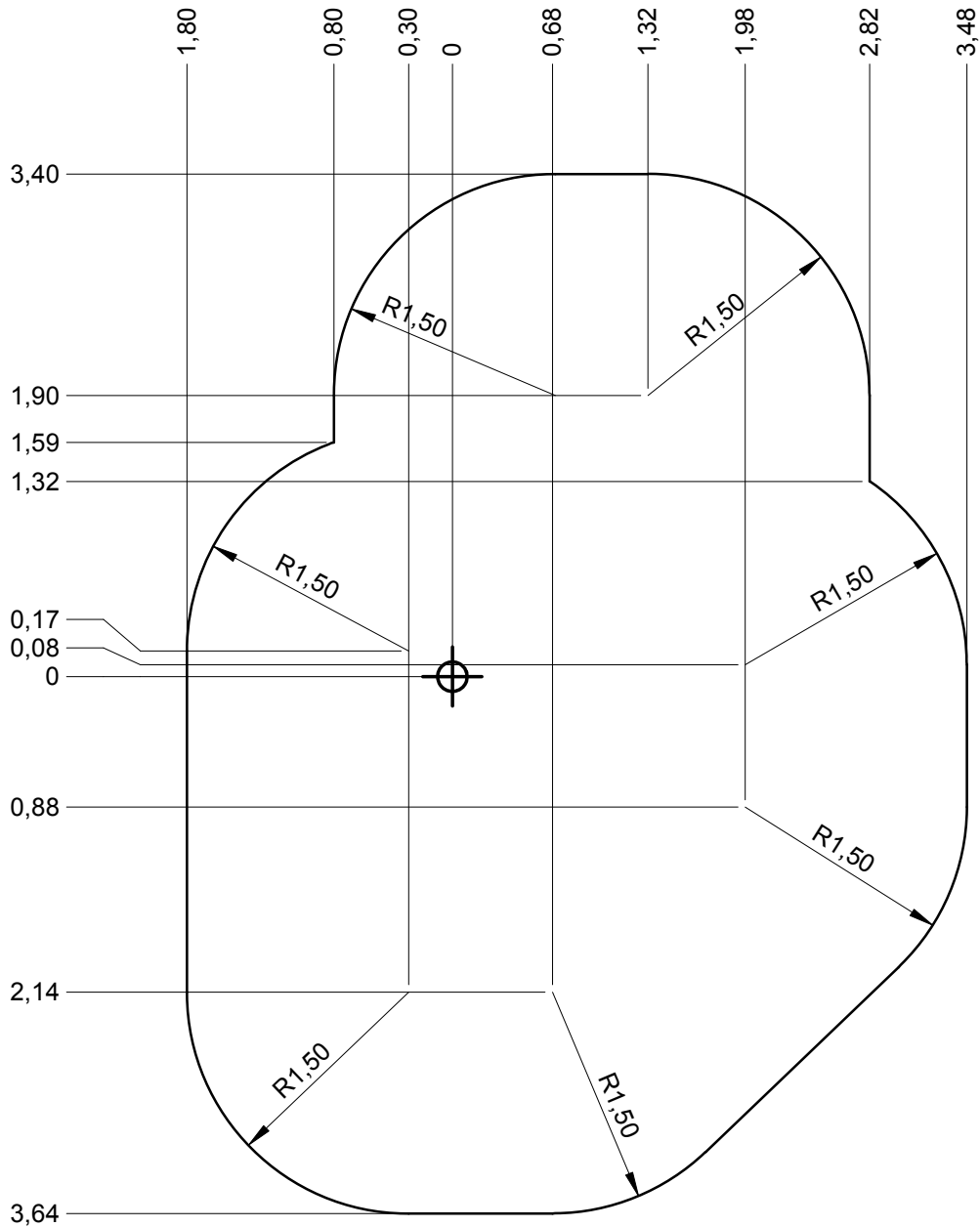


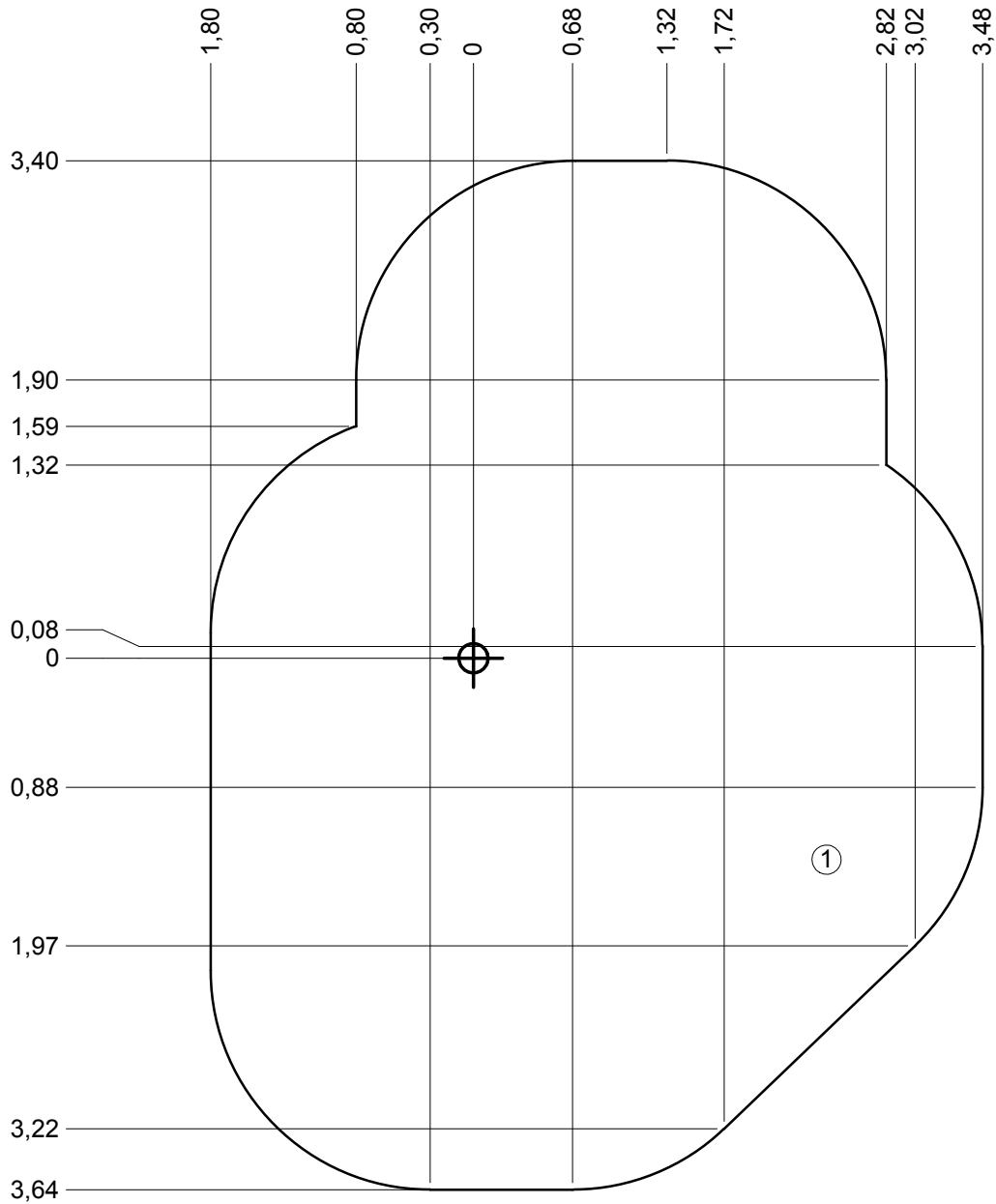
— Zone d'impact
 Impact area
 Area de impacto
 Fallraum
 Valzone

29.5 m²



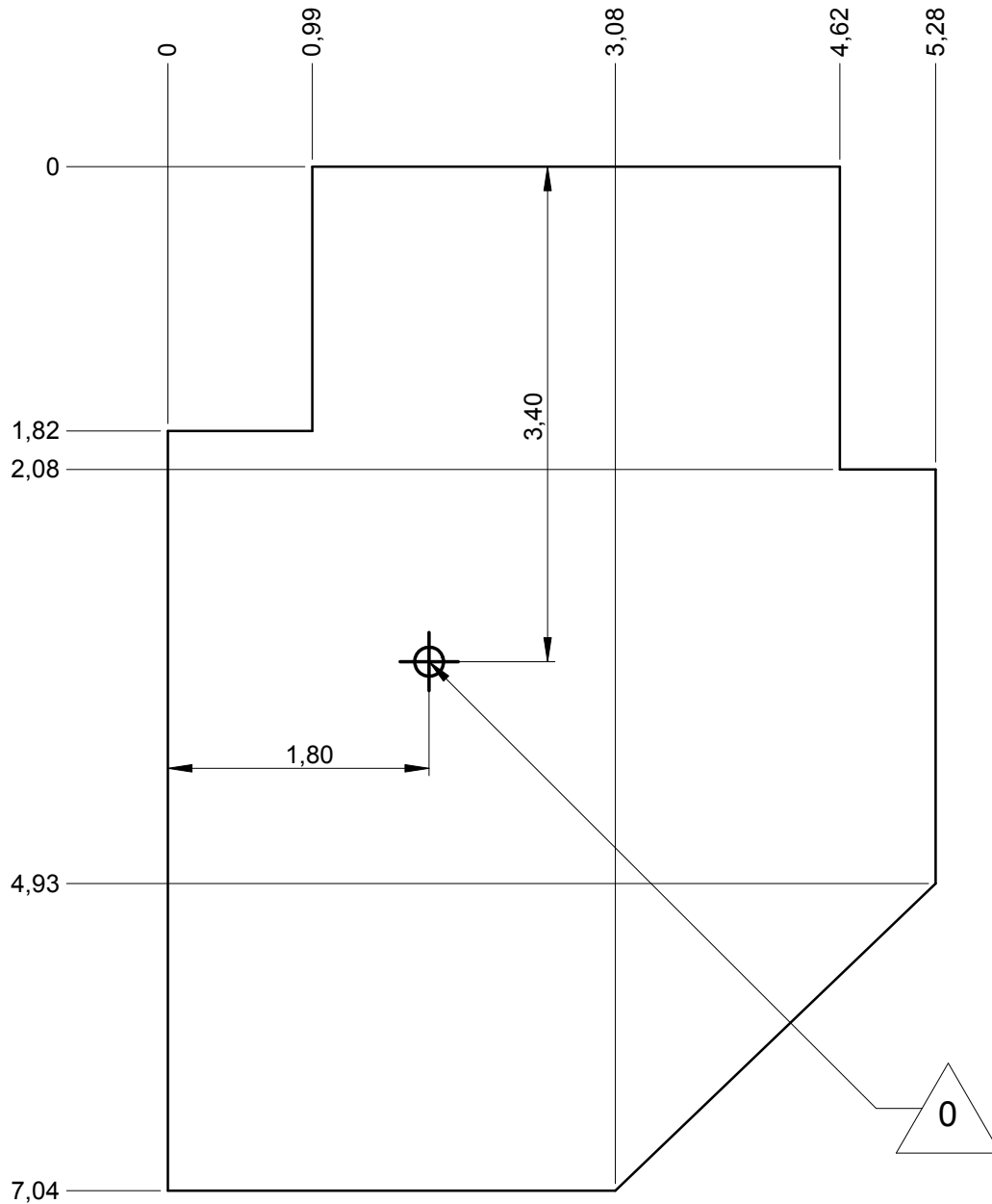
— Sol souple
 Wetpour
 Caucho continuo
 Synthetischer Fallschutz
 Gietvloer

29.5 m²



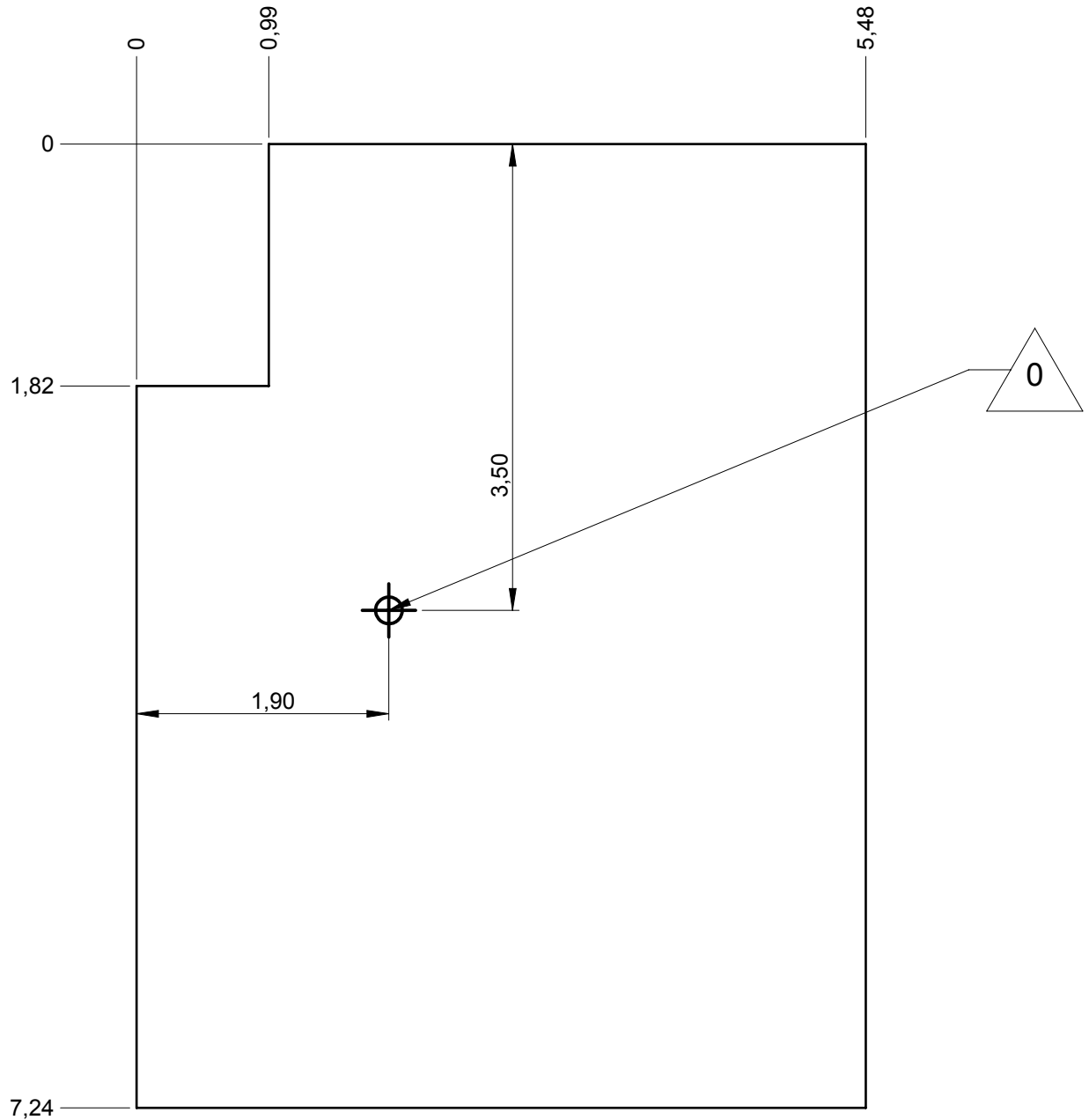
— Dalle béton
 Concrete pad
 Solera de hormigon
 Beton Bodenplatte
 Betonnen bodemplaat

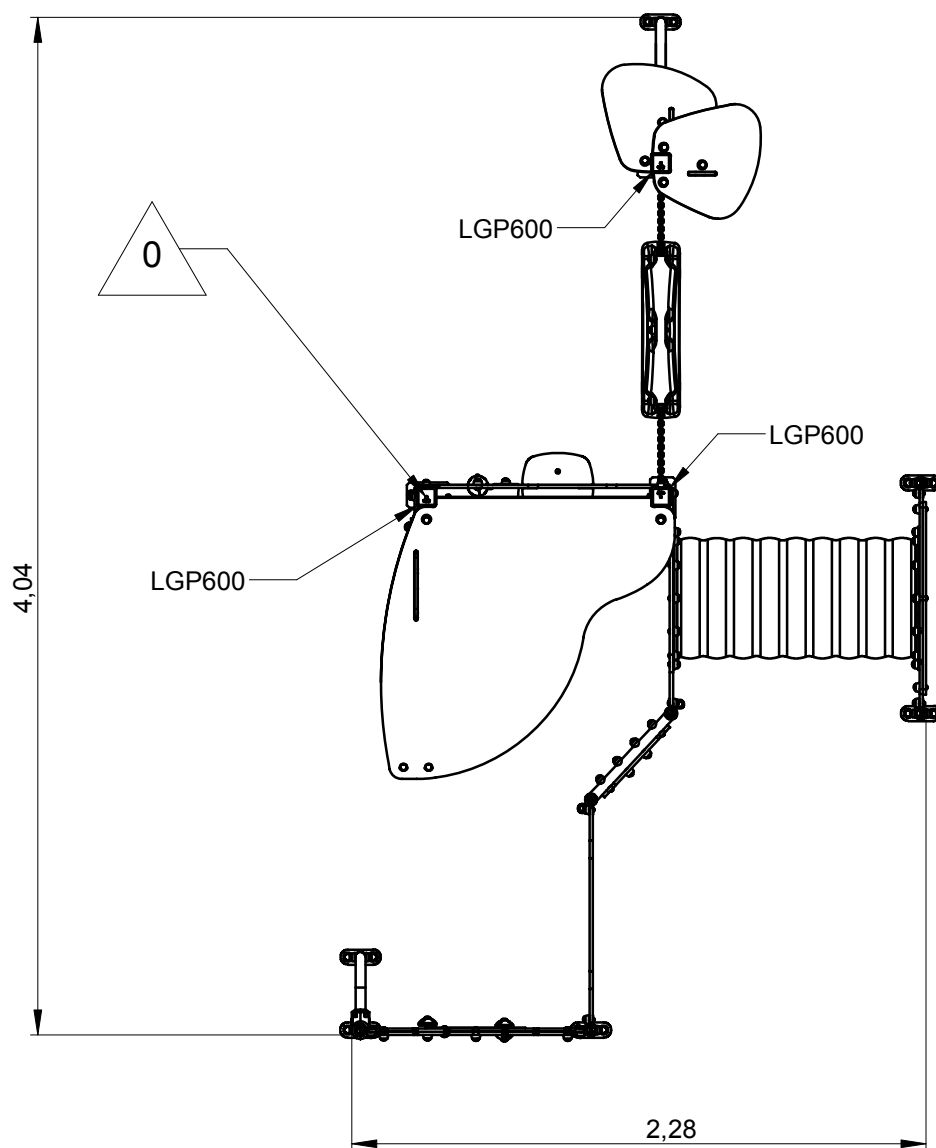
23 m
 31 m²

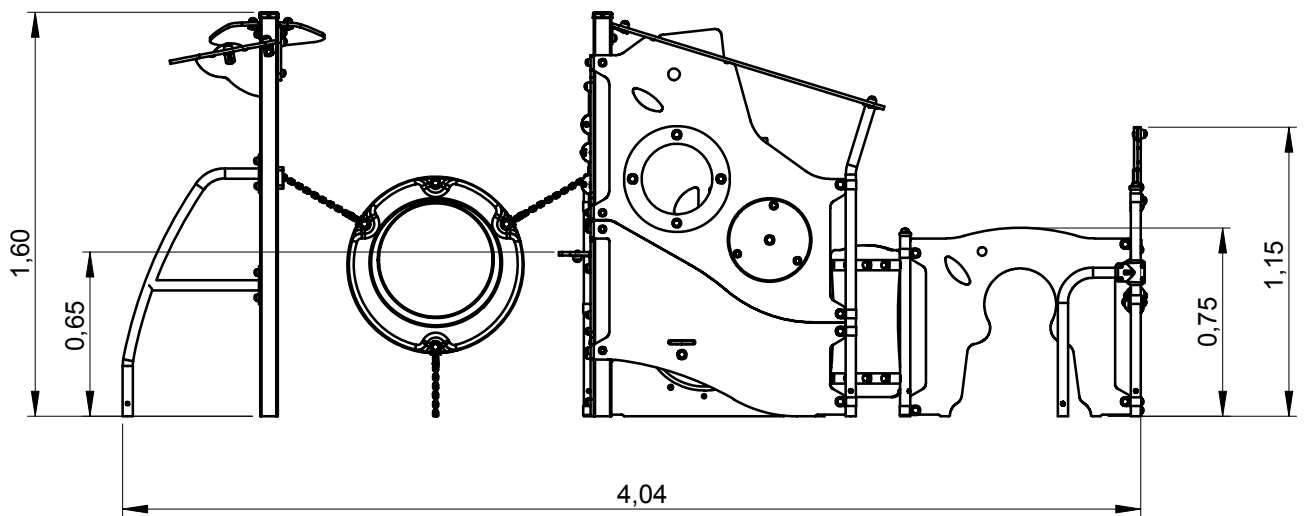
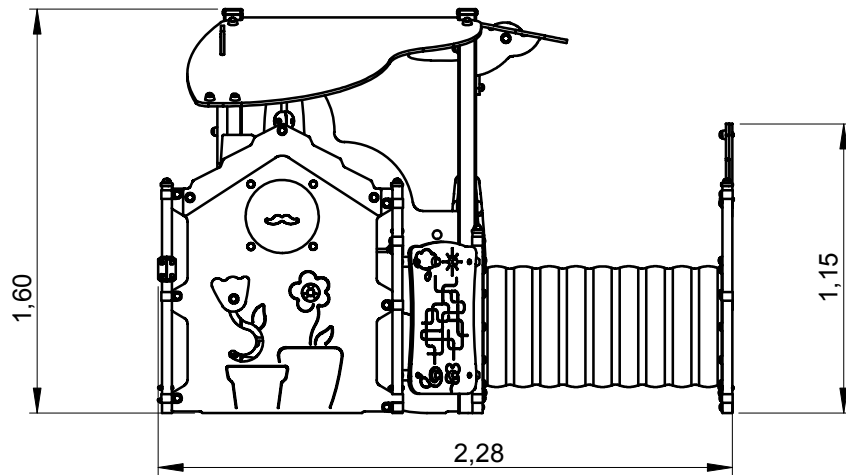


— Sol fluent
Loos partucule material
Arenero
Loses Bodenmaterial
Los bodemmaterialaal

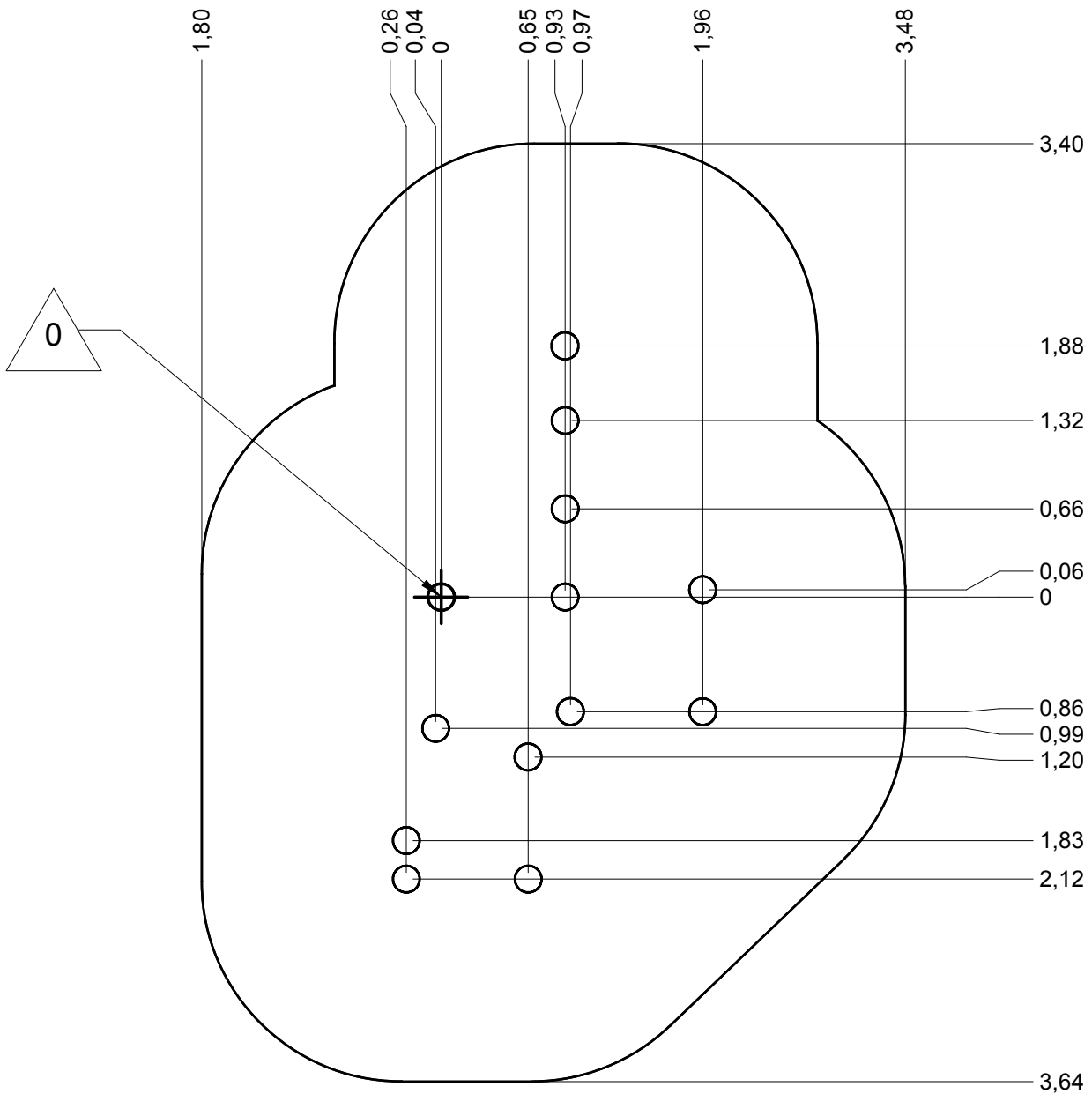
25.5 m
38 m²






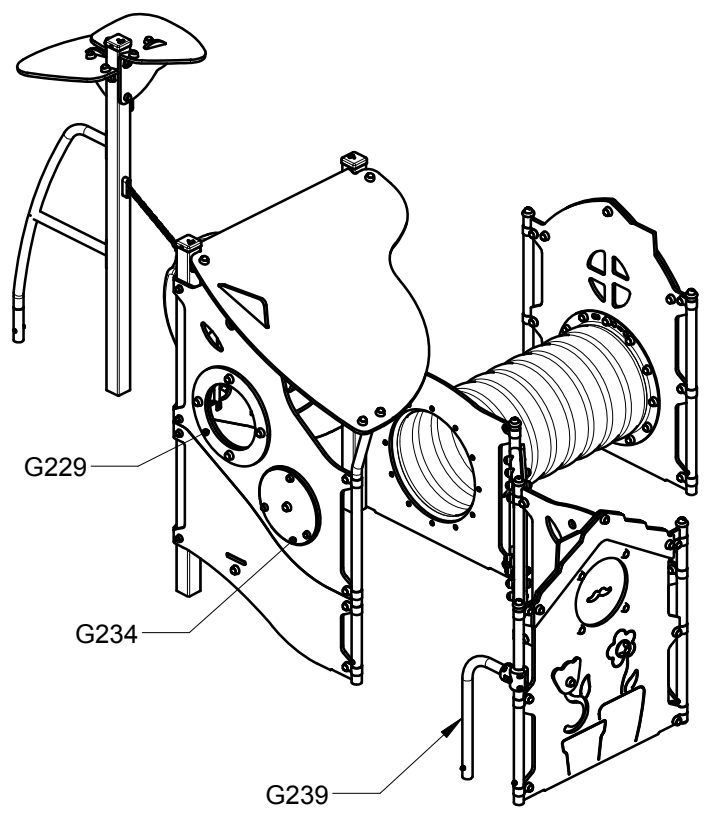
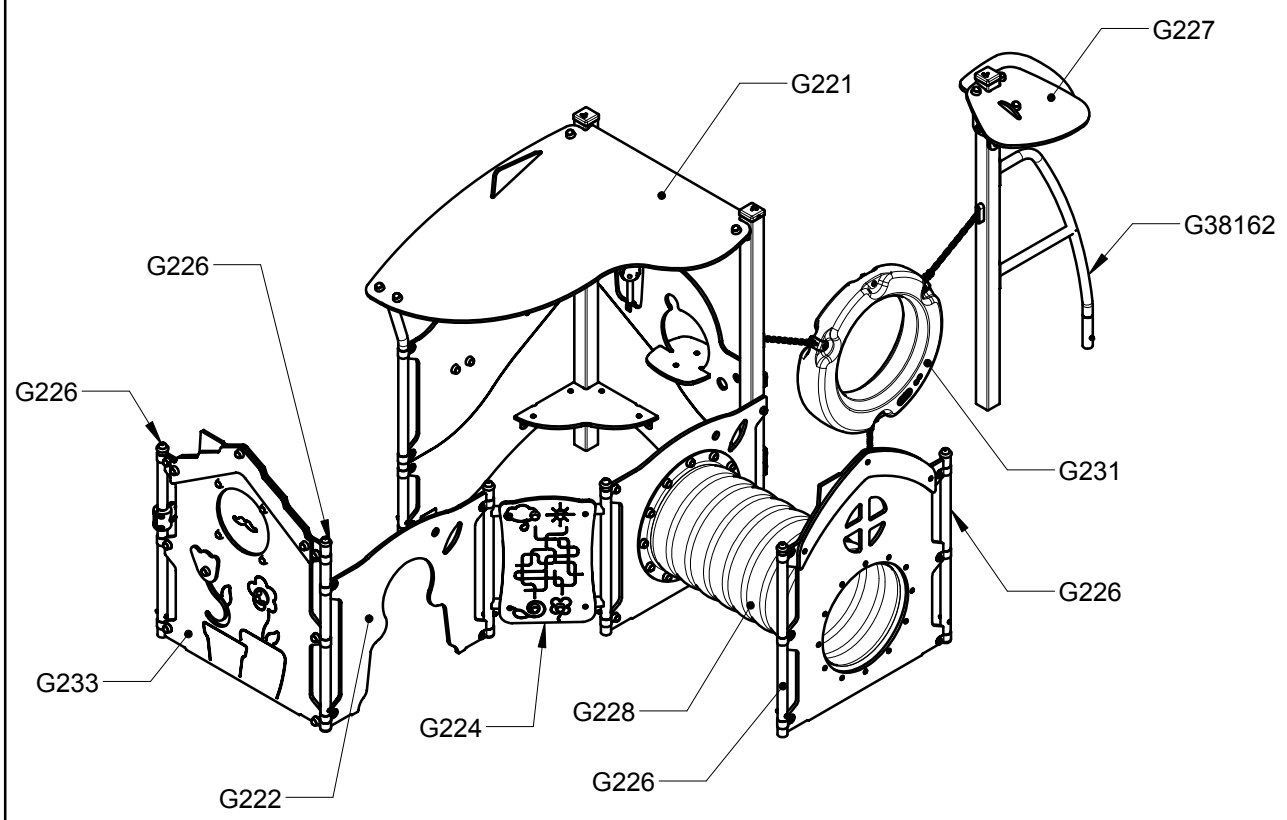




Implantation
 Footing plan
 Implantación
 Fundamentplan
 Funderingstekening

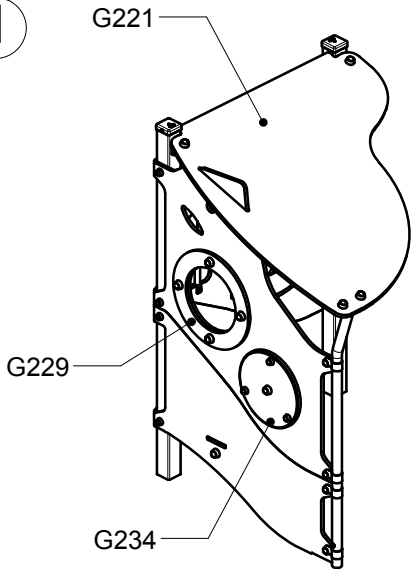


| | | |
|--|---|--|
|  <p>x2</p> |  <p>6H</p> |  <p>RD14M10</p> |
|--|---|--|

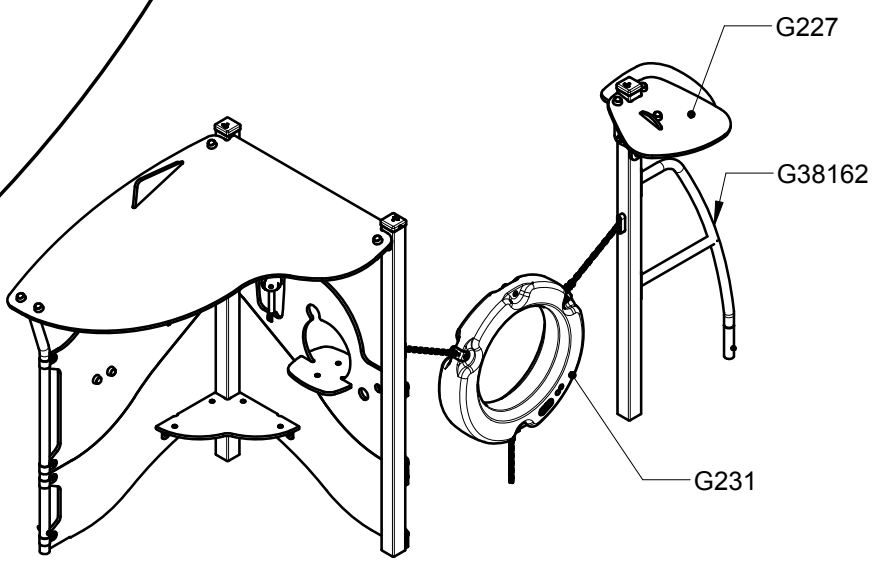


| Réf | Qté |
|--------|-----|
| G221 | 1 |
| G222 | 1 |
| G224 | 1 |
| G226 | 4 |
| G227 | 1 |
| G228 | 1 |
| G229 | 1 |
| G231 | 1 |
| G233 | 1 |
| G234 | 1 |
| G239 | 1 |
| G38162 | 1 |

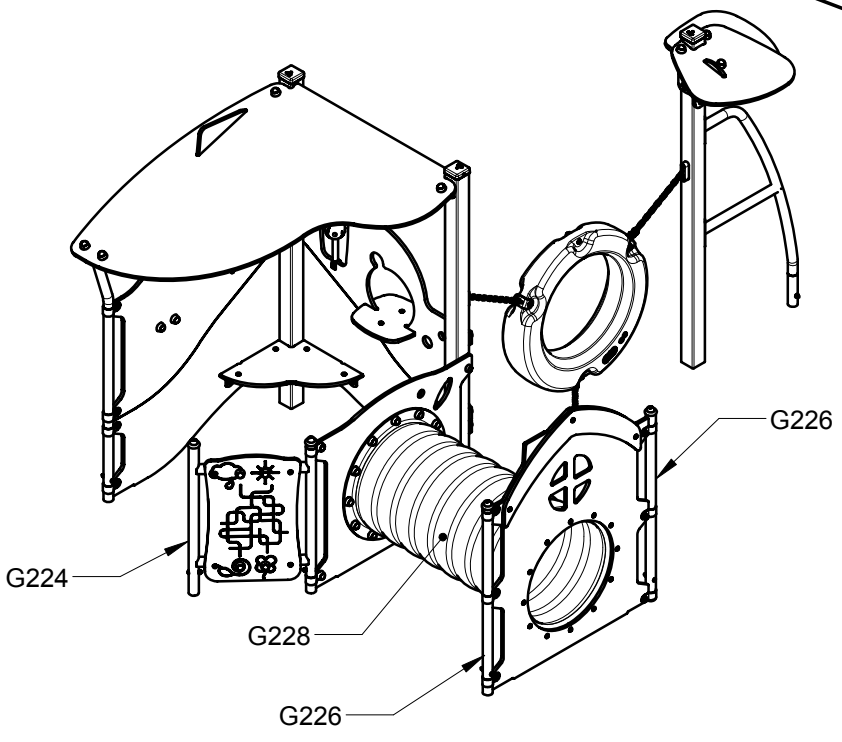
1



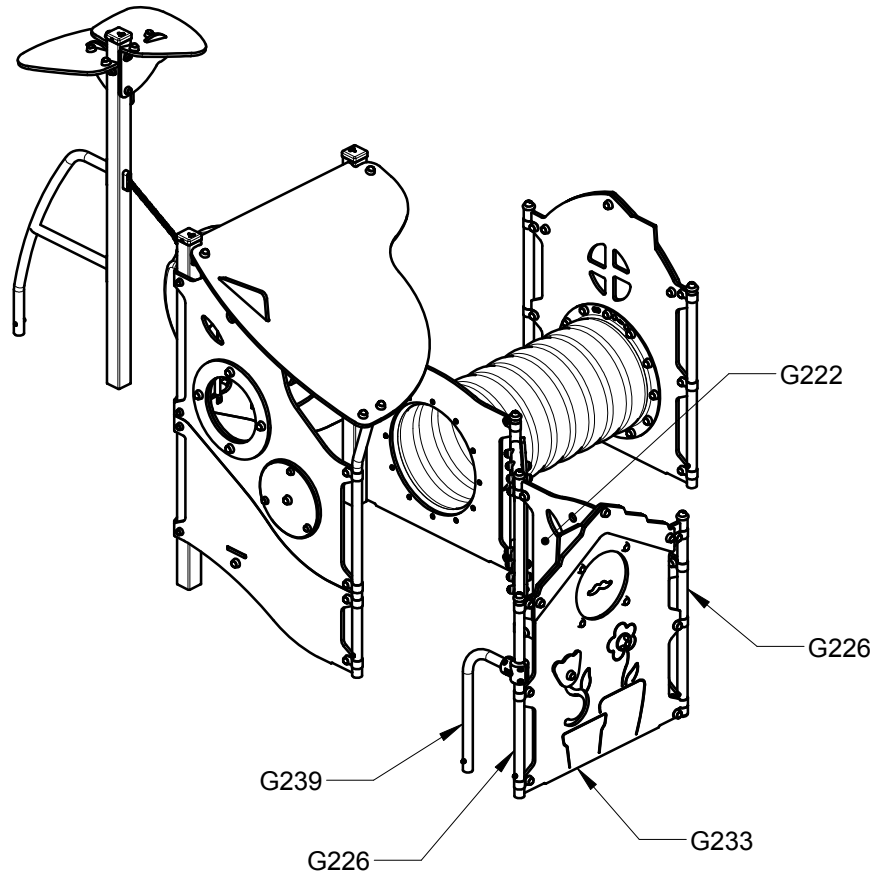
2

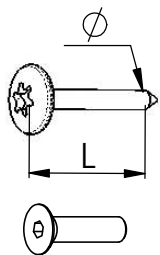


3



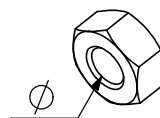
4



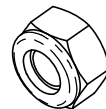


VBT 6 x 30
 \varnothing L (mm)

VFHC



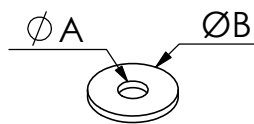
VEC M10
 \varnothing



VEF



VEB

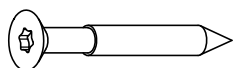


VR6x18
 $\varnothing A$ $\varnothing B$

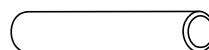
VTHA

1000 - 1800 RPM
 Vitesse de rotation
 Rotation speed

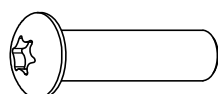
< 14 N.m
 Couple de rupture
 Breakage torque



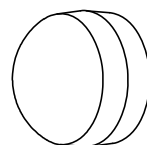
VWT



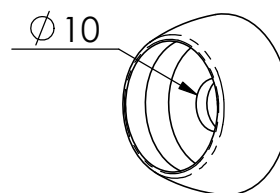
VGC



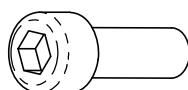
VCBHC



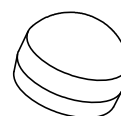
M10 440N



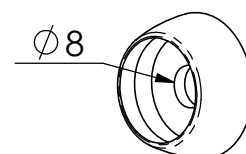
M10 310 N



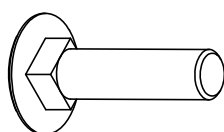
VBTR



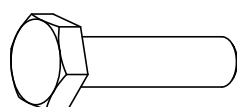
M8440N



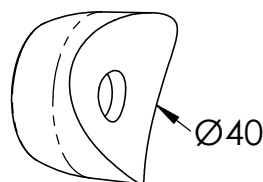
M8310N



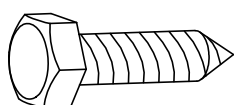
VTRCC



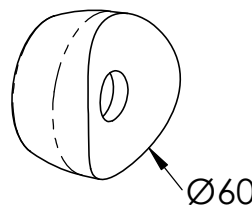
VTH



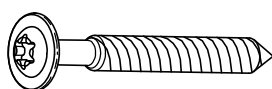
MI2503



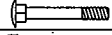
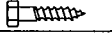

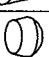

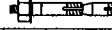
VTF

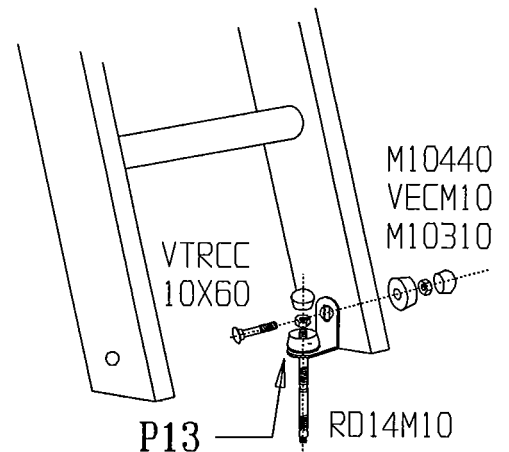
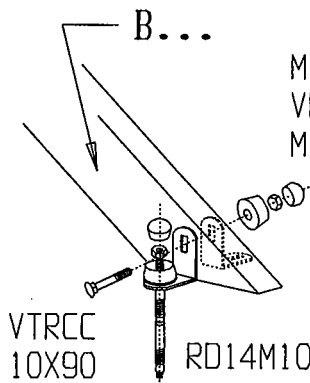
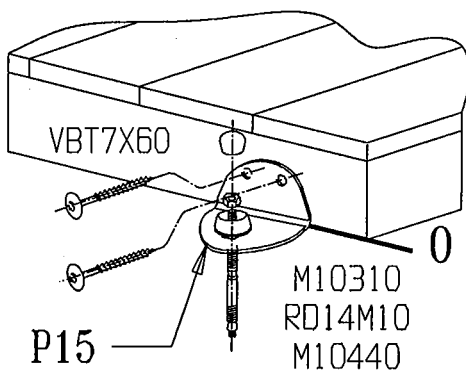
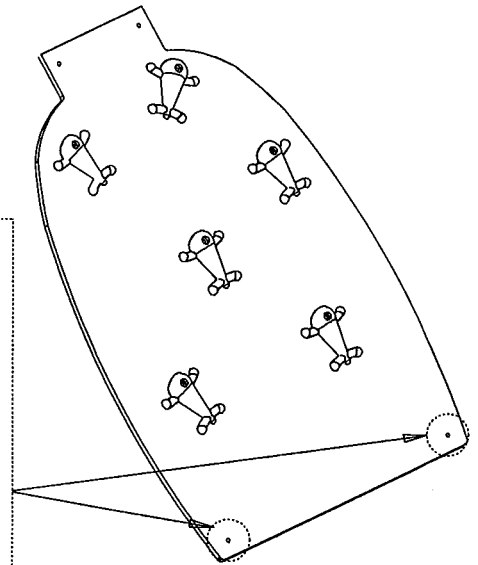
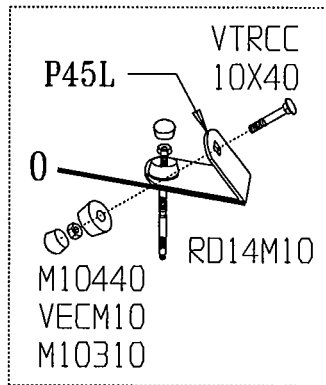
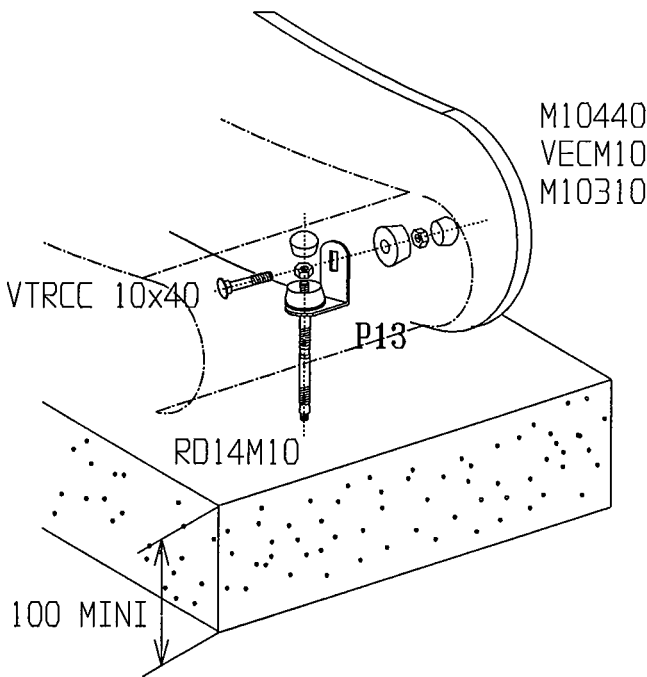
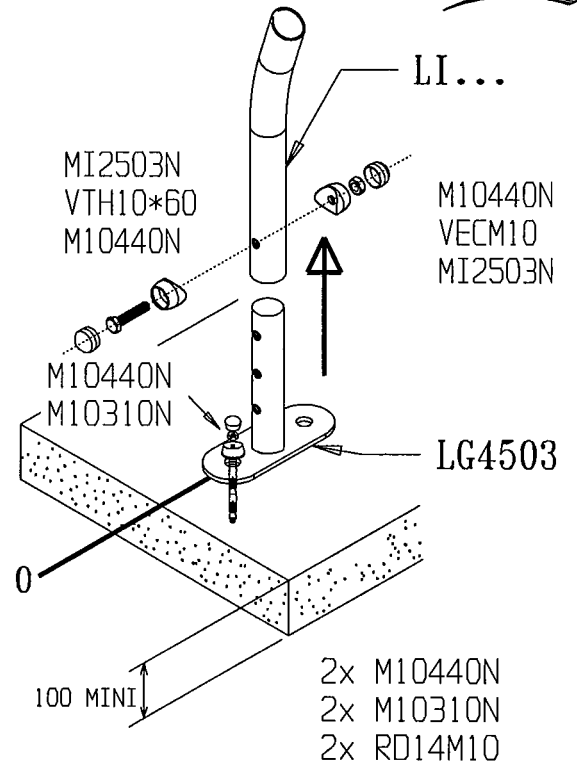
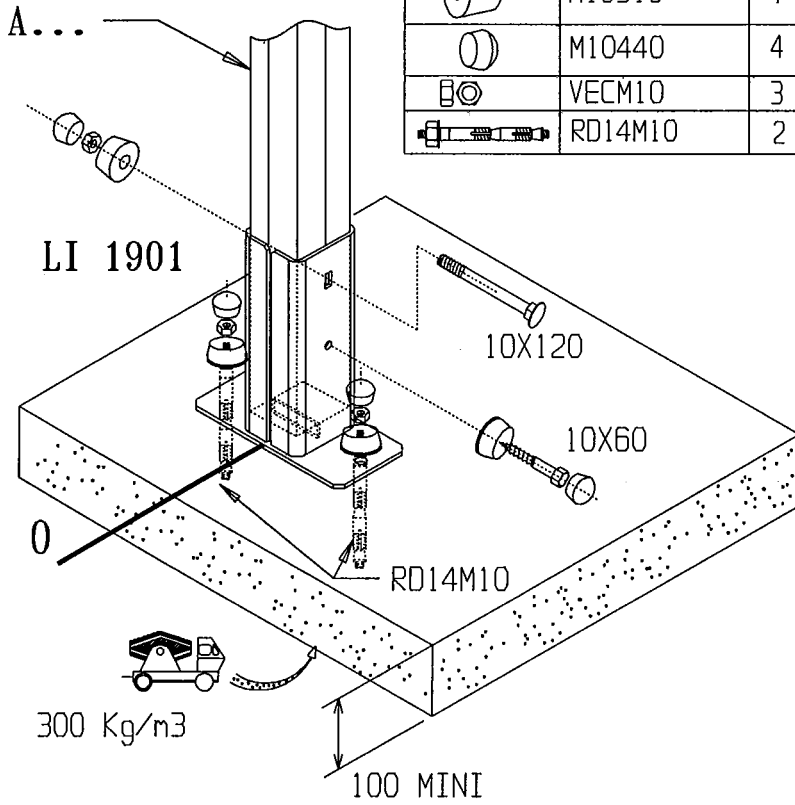


MI2701



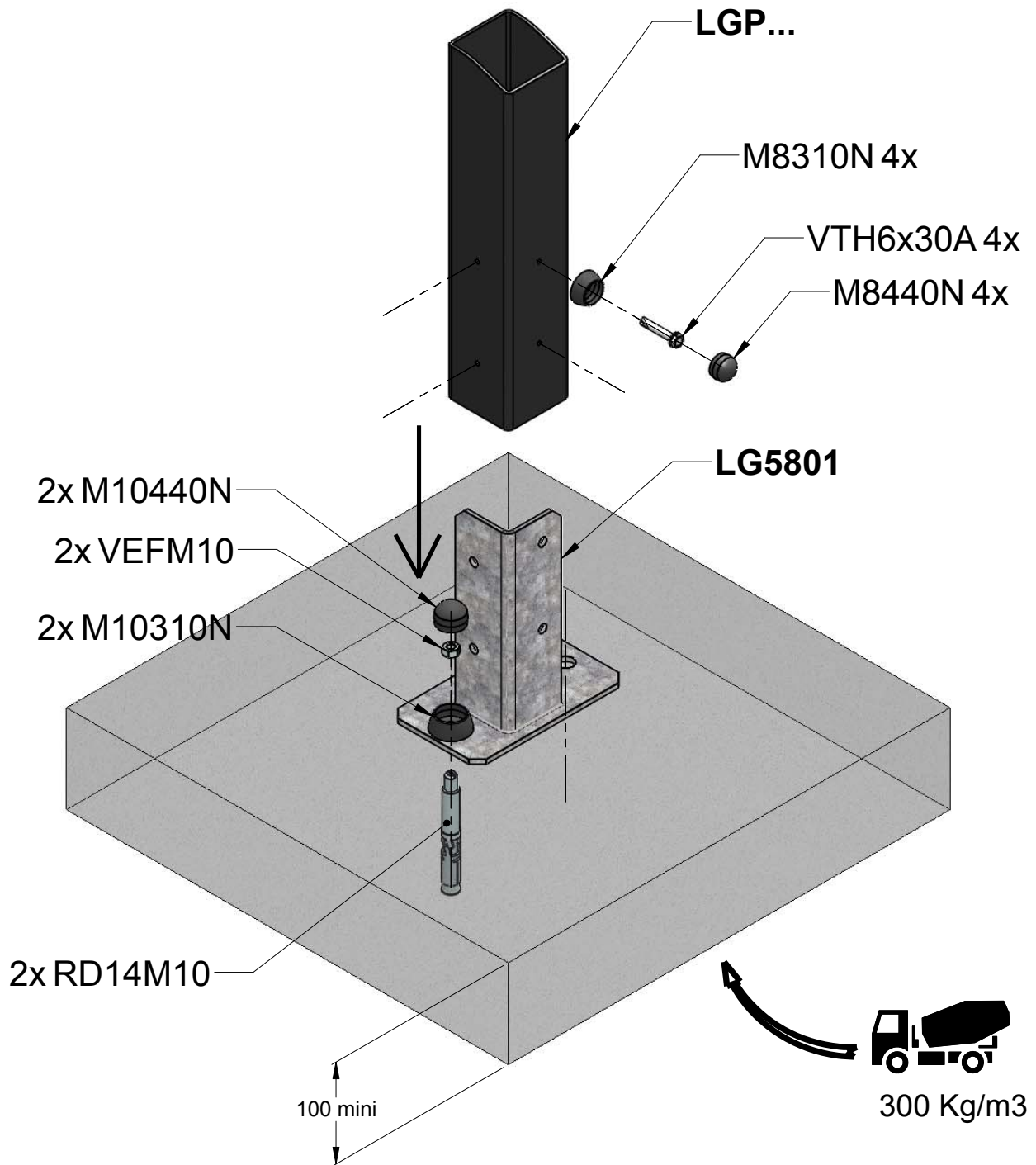
VBT

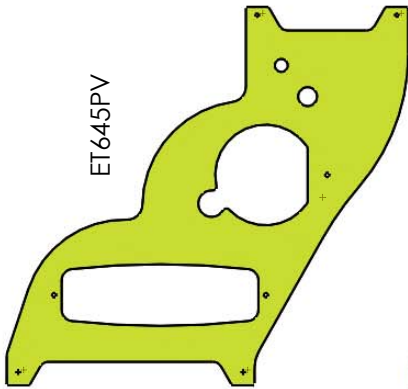
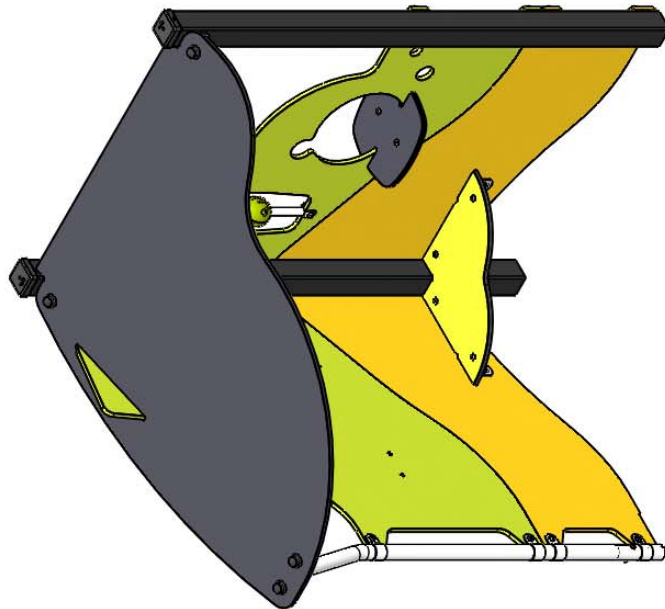
| | | |
|---|-------------|---|
|  | VTRCC10x120 | 1 |
|  | VTF 10x60 | 1 |
|  | M10310 | 4 |
|  | M10440 | 4 |
|  | VECM10 | 3 |
|  | RD14M10 | 2 |



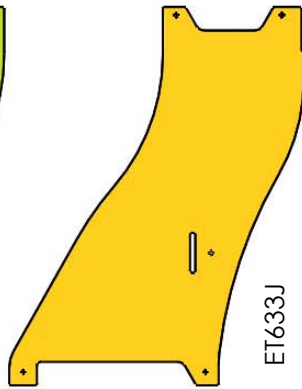
LG5801

ProLudic

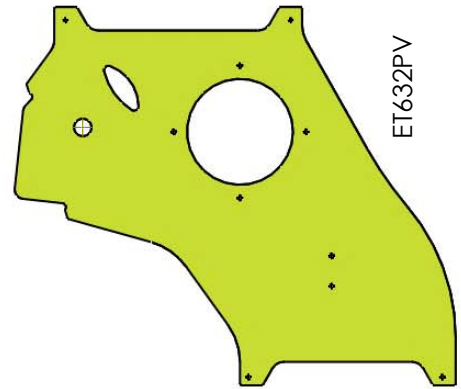




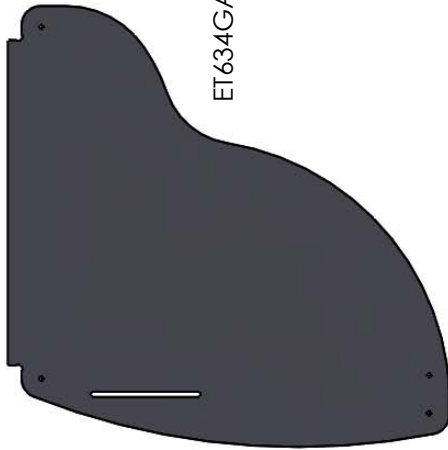
ET645PV



ET633J



ET632PV



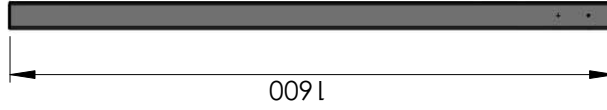
ET634GA



LI600

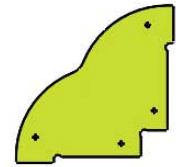


U38109



1600

LGP600



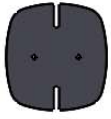
ET637PV



LG4503



LG5801



ET635GA

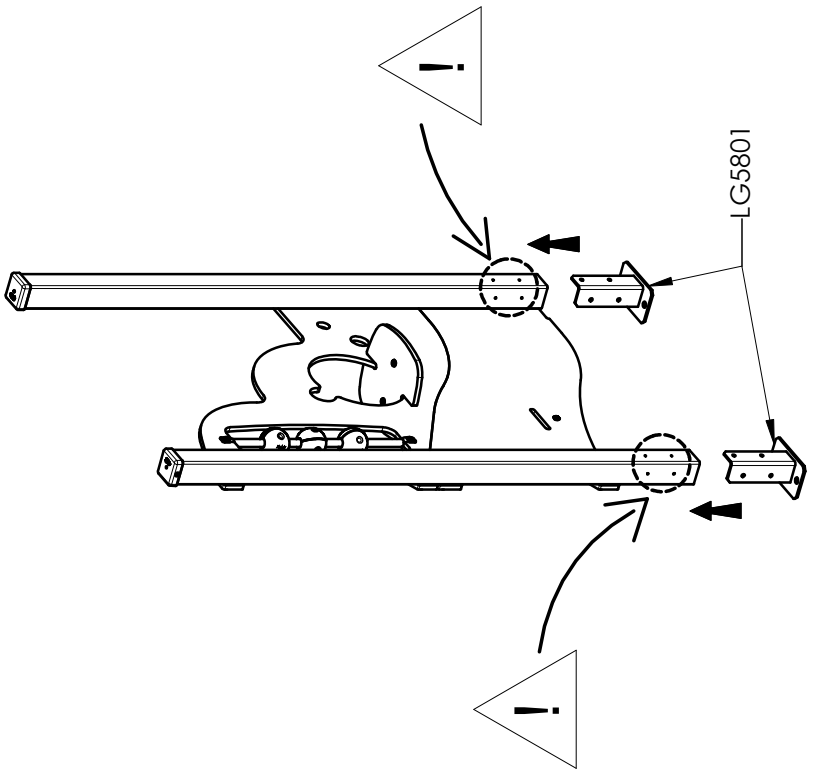
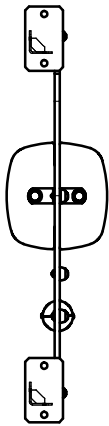
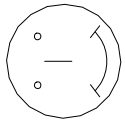
| Réf | Qté |
|-------------|-----|
| ET632PV | 1 |
| ET633J | 2 |
| ET634GA | 1 |
| ET635GA | 1 |
| ET637PV | 1 |
| ET645PV | 1 |
| LG4503 | 1 |
| LG5801 | 2 |
| LGP600 | 2 |
| LI600 | 1 |
| LI4505 | 4 |
| M68x68 | 2 |
| M8310N | 24 |
| M8440N | 24 |
| M10310N | 25 |
| M10440N | 27 |
| M12503N | 2 |
| P13 | 6 |
| P67,5 | 2 |
| RD14M10 | 6 |
| RRAV6 | 2 |
| U38109 | 1 |
| VCBHC10x30I | 19 |
| VEFM10 | 20 |
| VR6x18 | 2 |
| VTH10x60 | 1 |
| VTH6x30A | 24 |

G221B

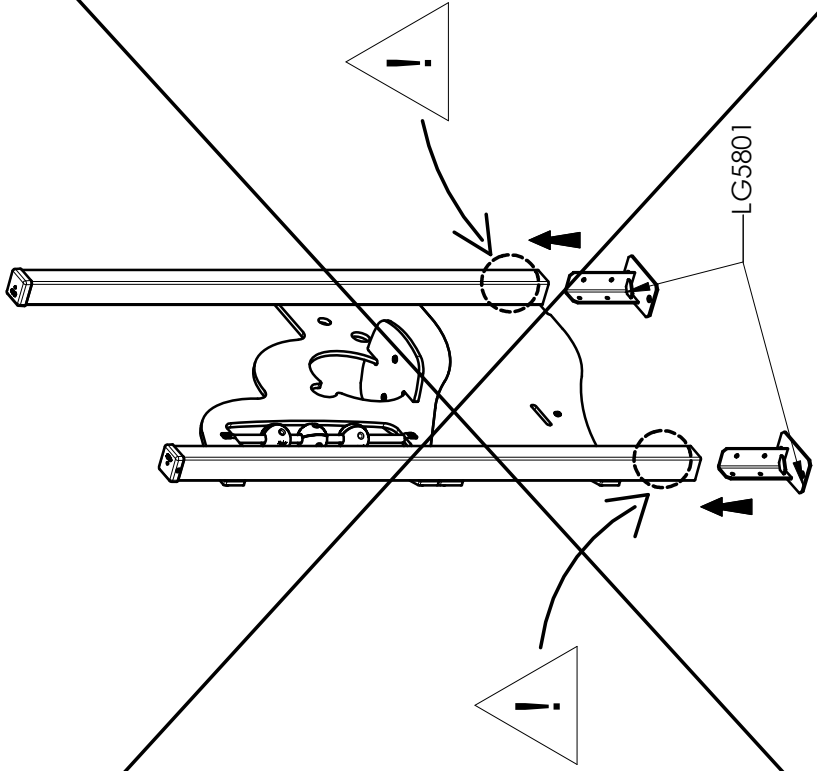
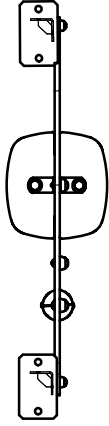
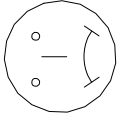
2 / 5

1

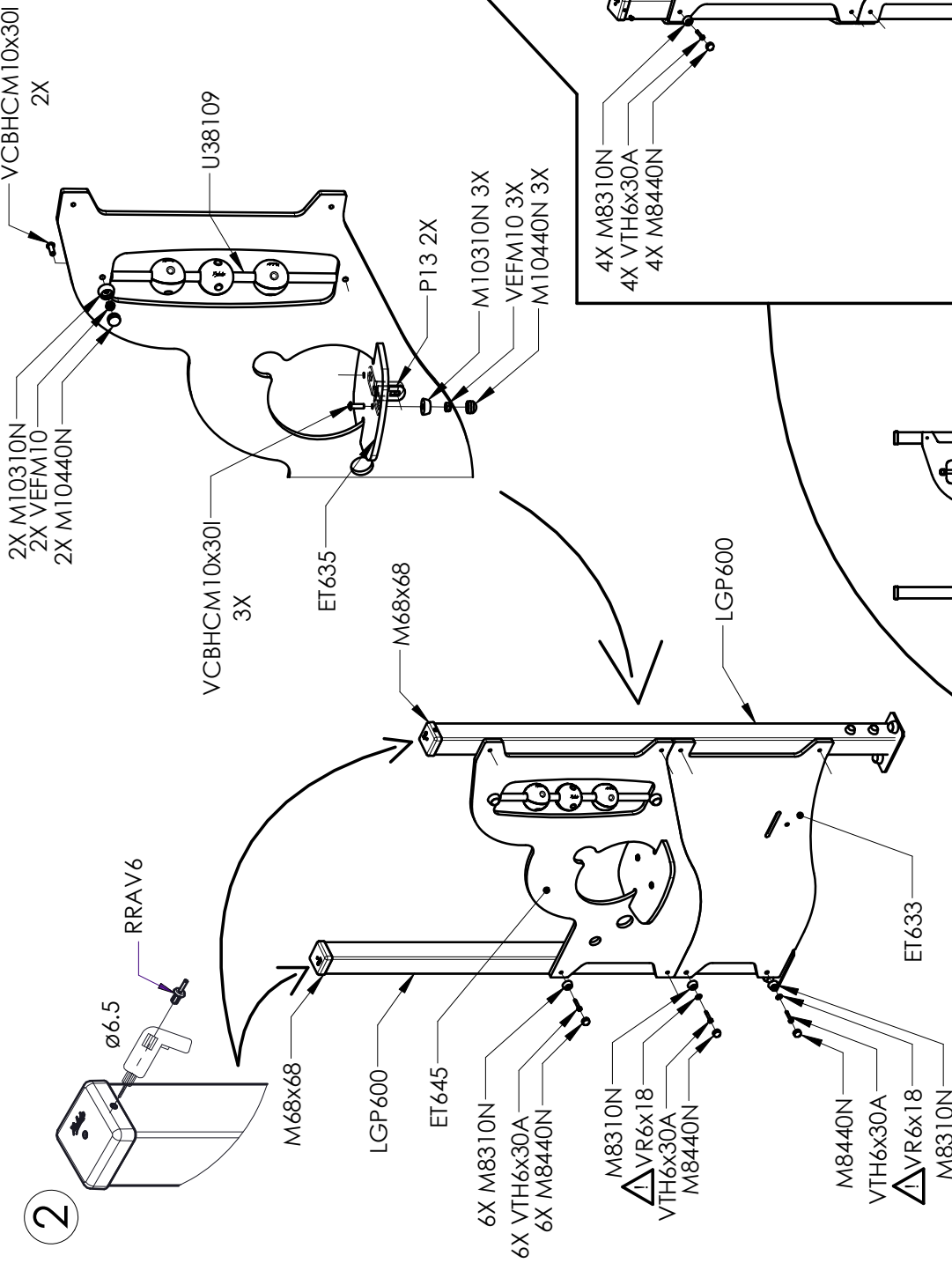
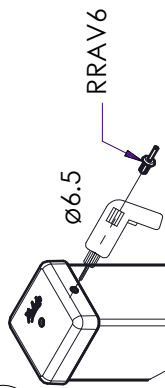
OK



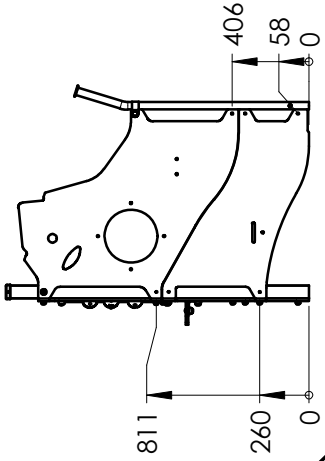
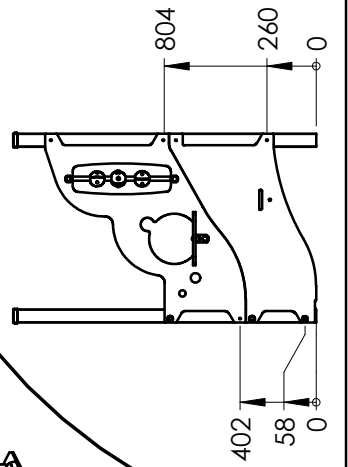
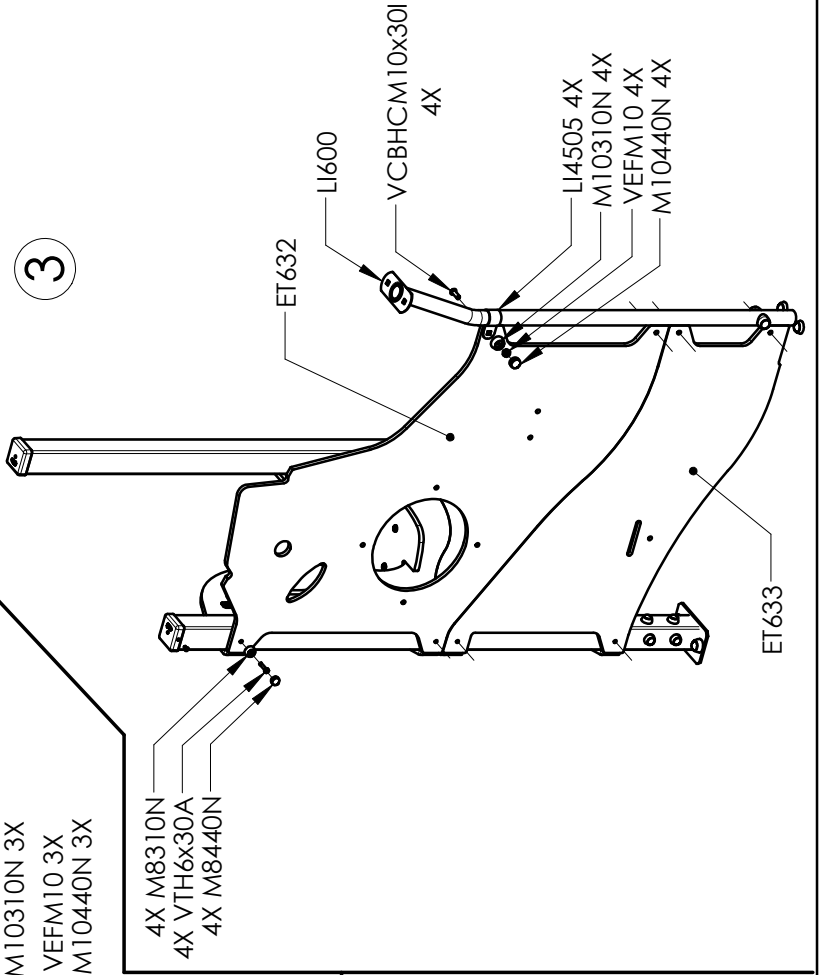
NOK



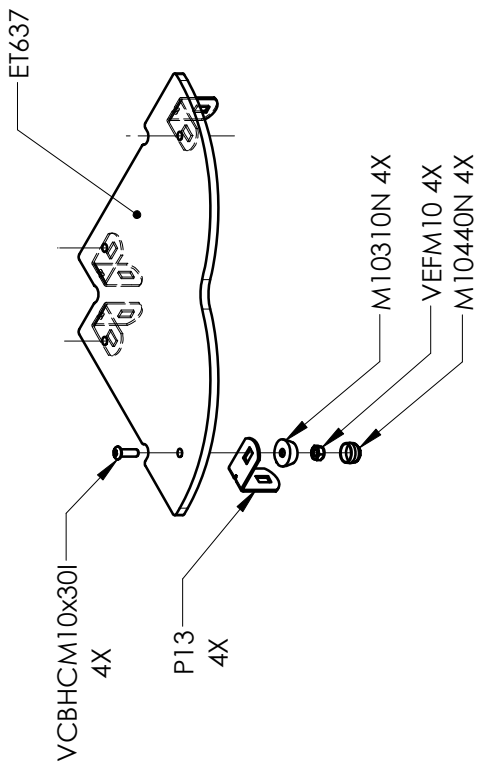
2



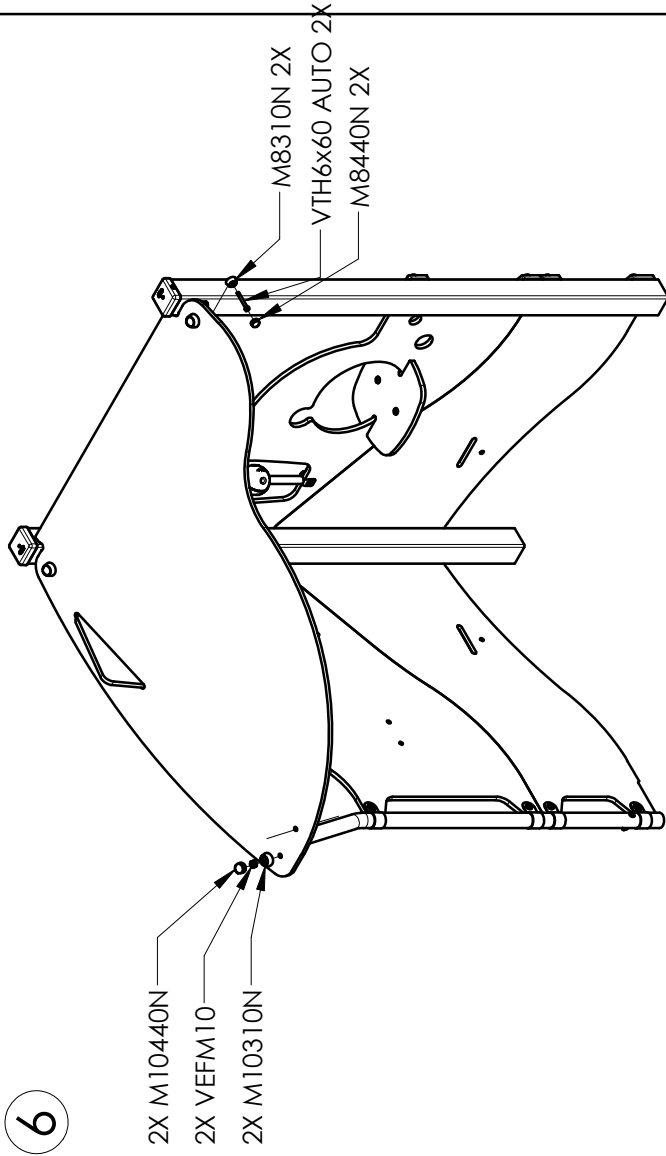
3



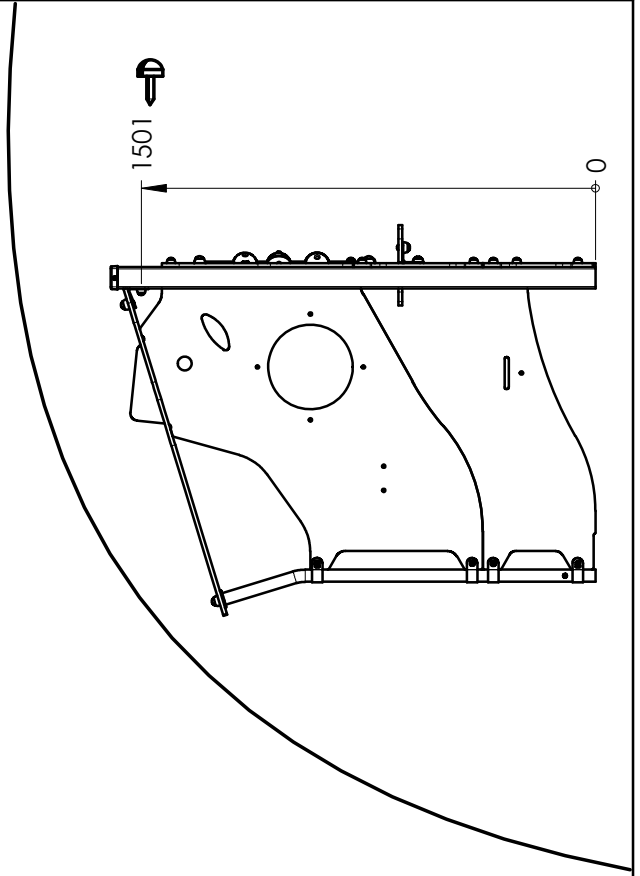
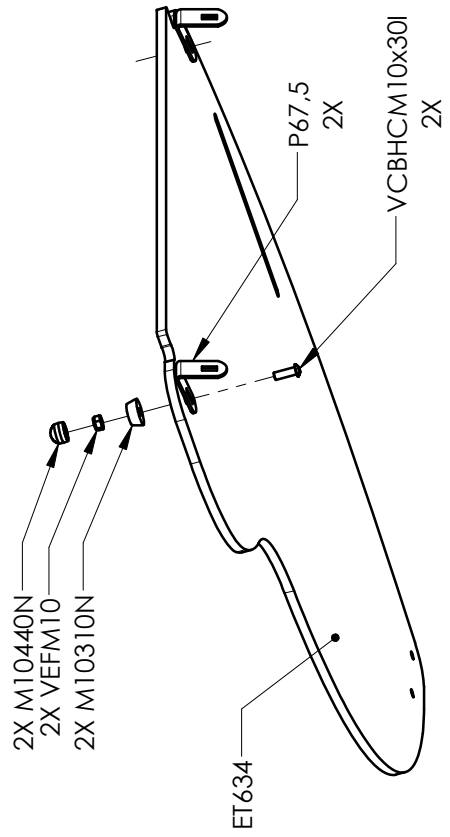
4



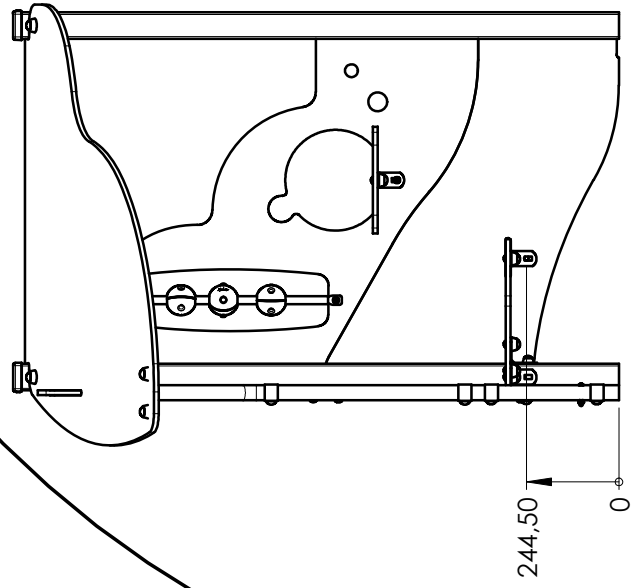
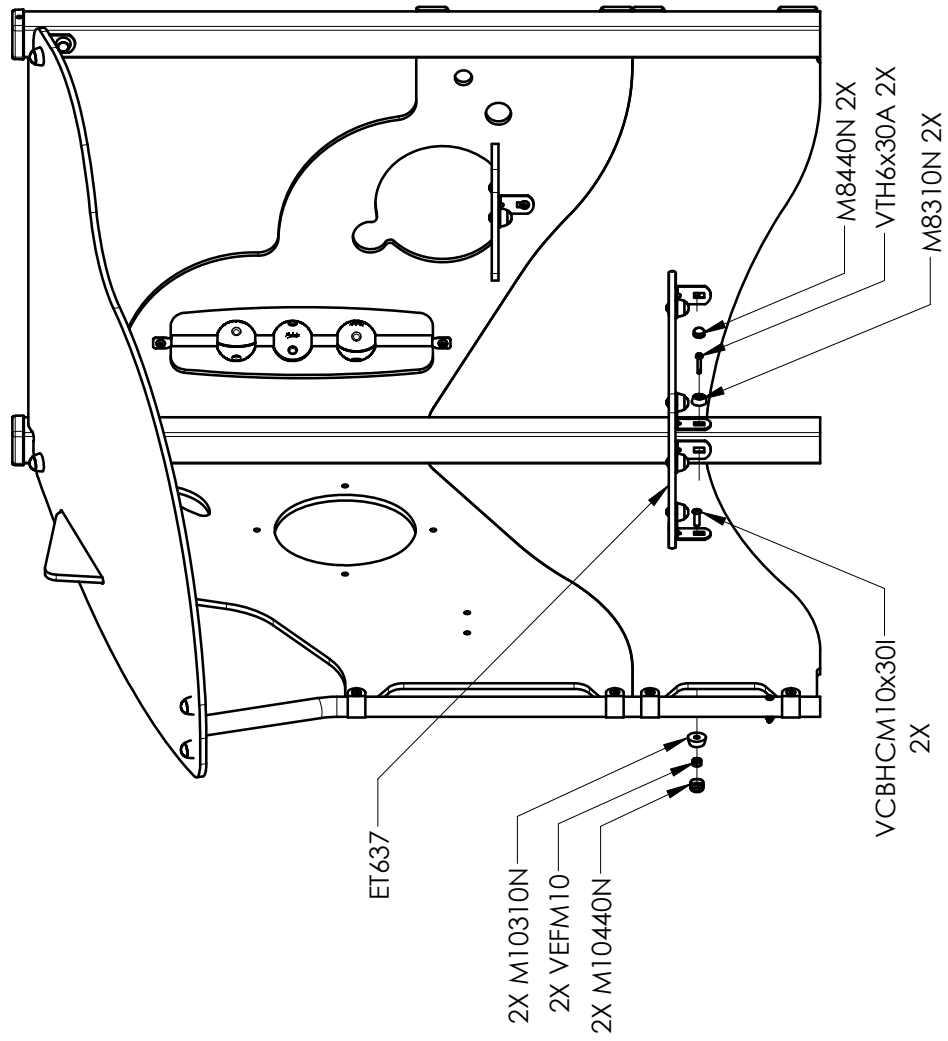
6

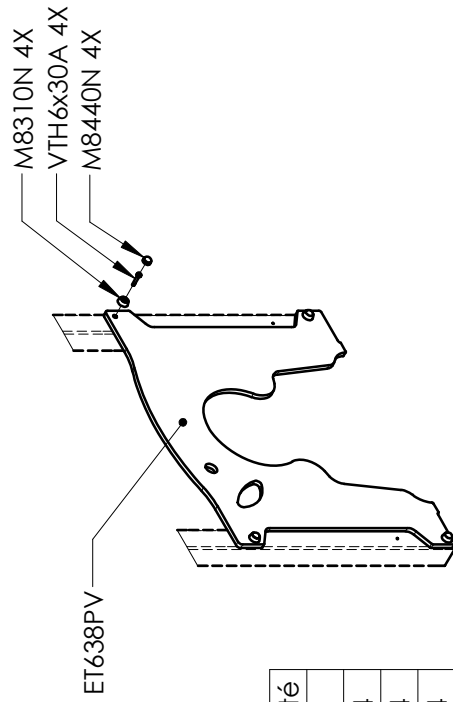
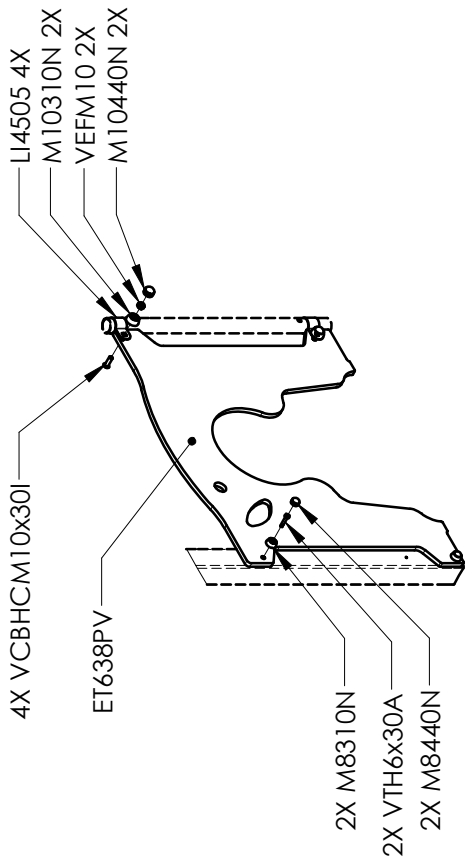


5

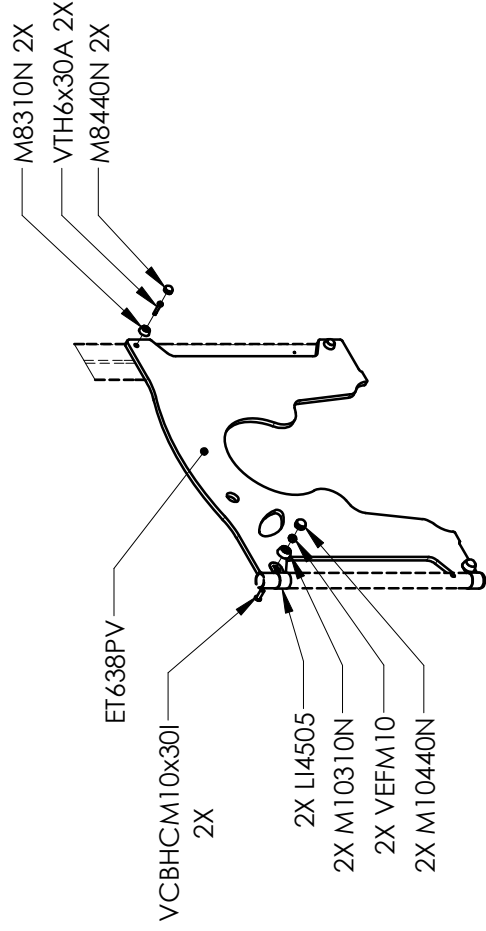
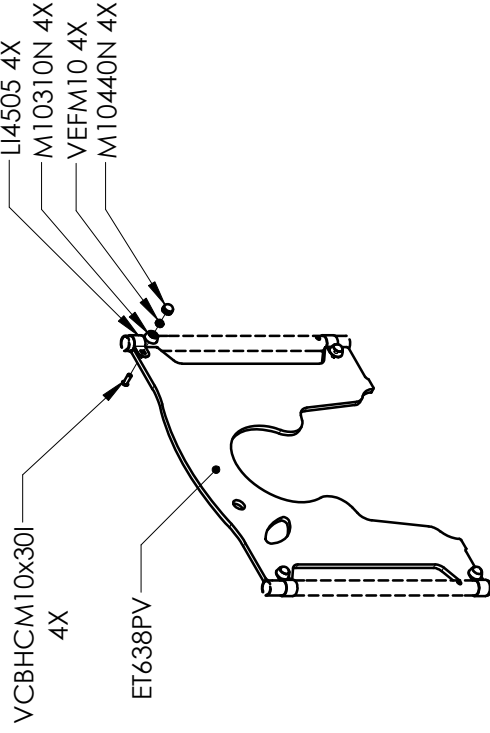


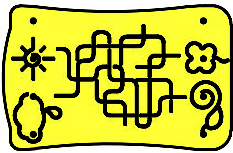
7



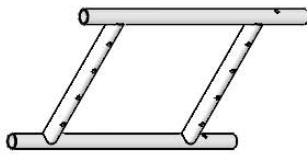


| Réf | Qté |
|--------------|-----|
| ET638PV | 1 |
| LI4505 | 4 |
| M8310N | 4 |
| M8440N | 4 |
| M10310N | 4 |
| M10440N | 4 |
| VCBHCM10x30I | 4 |
| VEFM10 | 4 |
| VTH6x30A | 4 |





ET644J

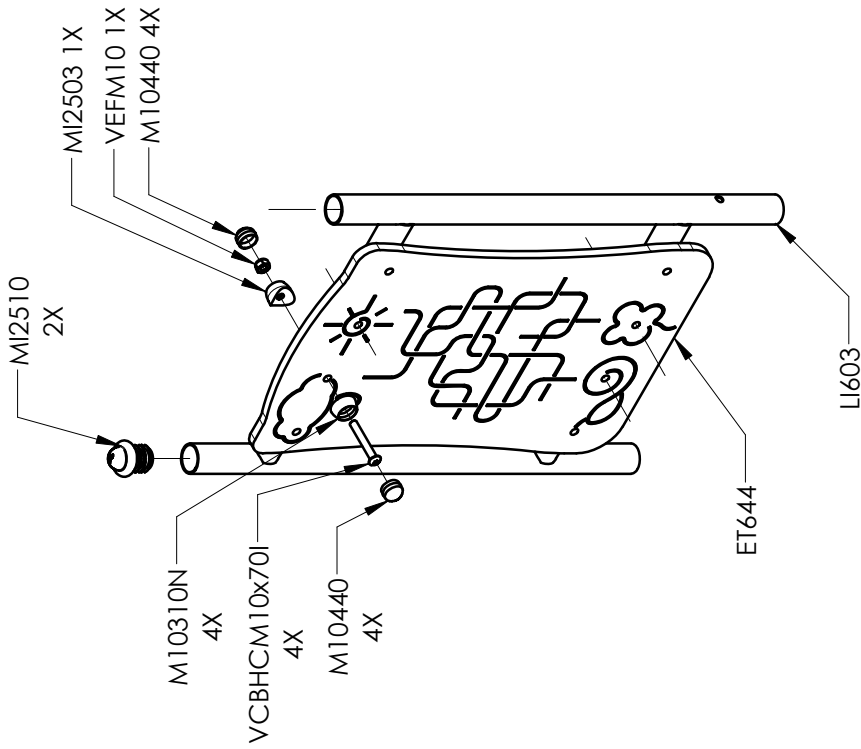


LI603

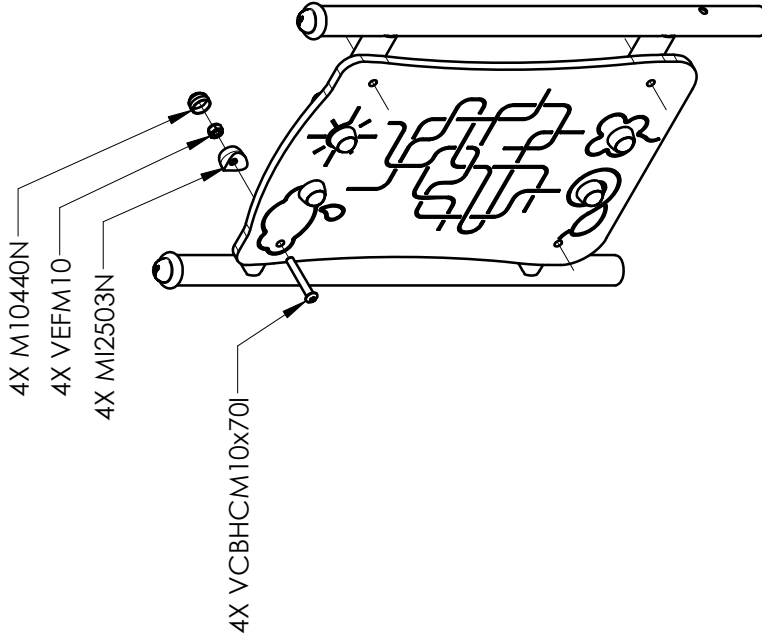


LG4503

1

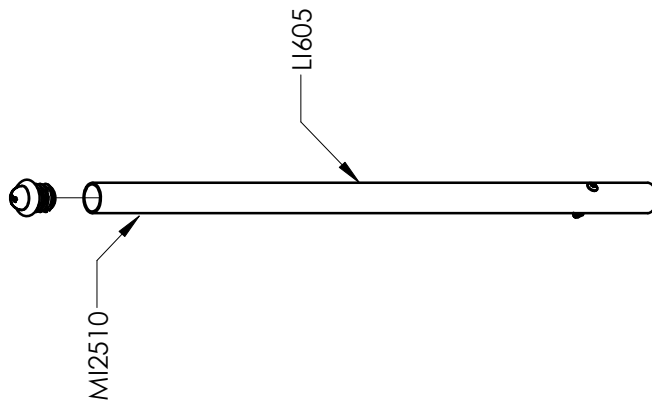


2



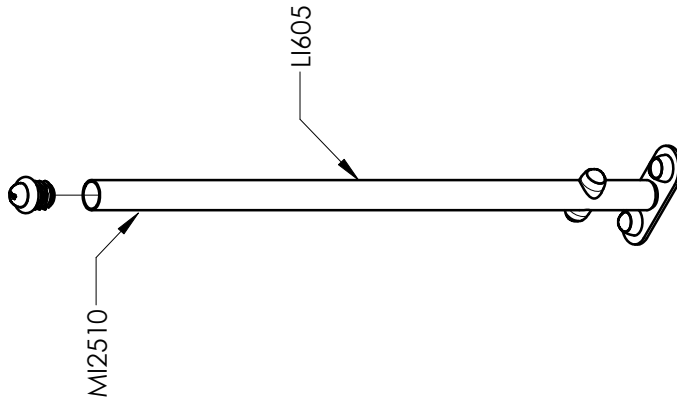
| Réf | Qté |
|--------------|-----|
| ET644J | 1 |
| LG4503 | 2 |
| LI603 | 1 |
| M10310N | 8 |
| M10440N | 20 |
| MI2503N | 12 |
| MI2510N | 2 |
| RD14M10 | 4 |
| VCBHCM10x70I | 8 |
| VEFM10 | 10 |
| VTH10x60 | 2 |

G226A

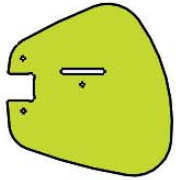
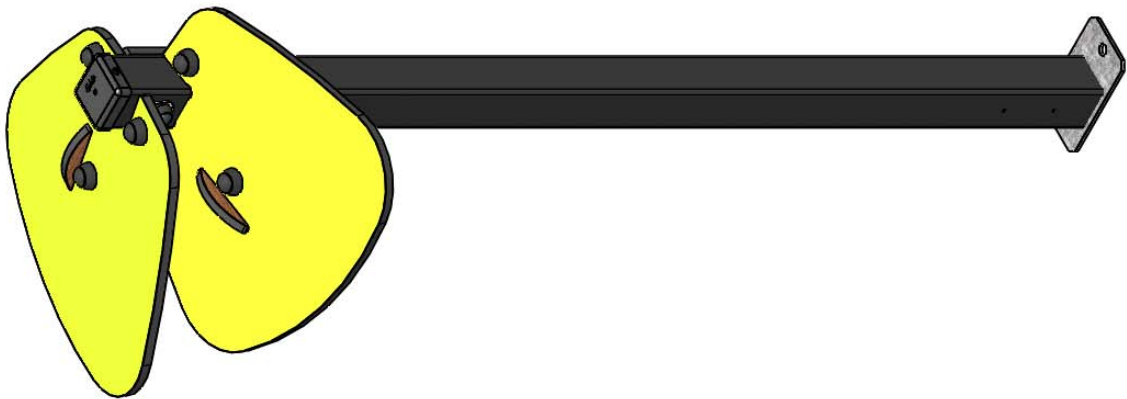


| Réf | Qté |
|-------------|-----|
| LG4502 | 1 |
| LI605 | 1 |
| MI2510N | 1 |
| VCBHC18x50I | 1 |
| VEFBM8 | 1 |

G226B



| Réf | Qté |
|----------|-----|
| LG4503 | 1 |
| LI605 | 1 |
| M10310N | 2 |
| M10440N | 4 |
| MI2503N | 2 |
| MI2510N | 1 |
| RD14M10 | 2 |
| VEFM10 | 1 |
| VTH10x60 | 1 |



ET639PV



ET640CH



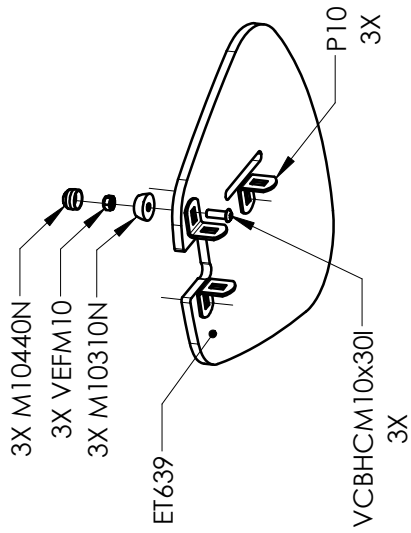
LGP600



LG5801

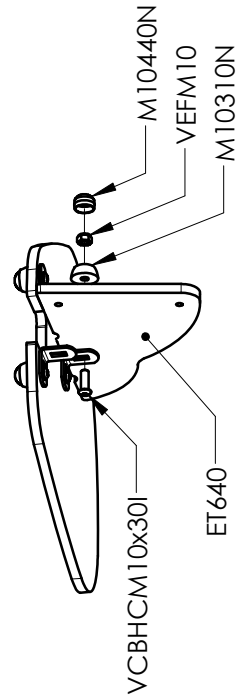
| Réf | Qté |
|-------------|-----|
| ET639PV | 2 |
| ET640CH | 2 |
| LG5801 | 1 |
| LGP600 | 1 |
| M68x68 | 1 |
| M8310N | 10 |
| M8440N | 10 |
| M10310N | 10 |
| M10440N | 10 |
| P10 | 6 |
| RRAV6 | 1 |
| VCBHC10x30I | 8 |
| VEFM10 | 8 |
| VTH6x30A | 10 |
| RD14M10 | 2 |

1



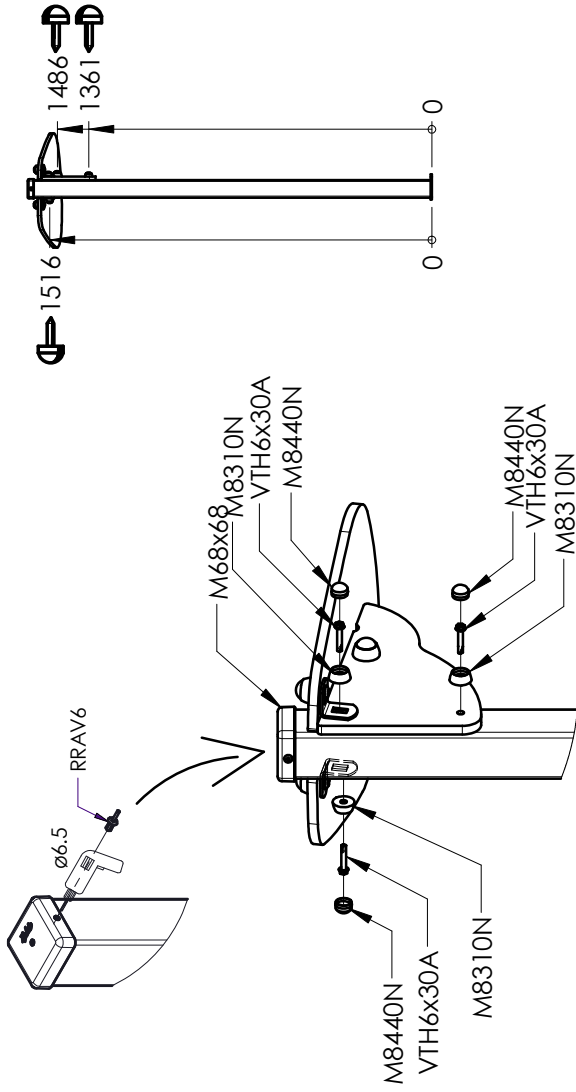
X2

2

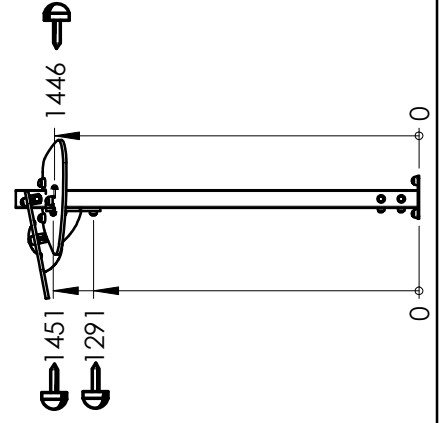
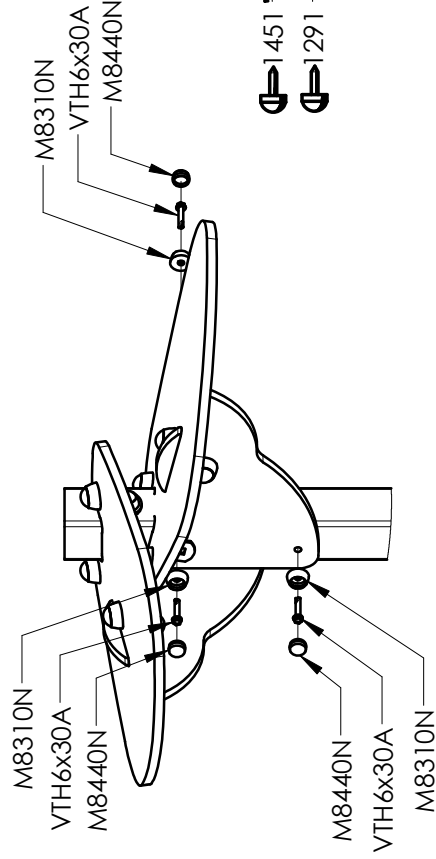


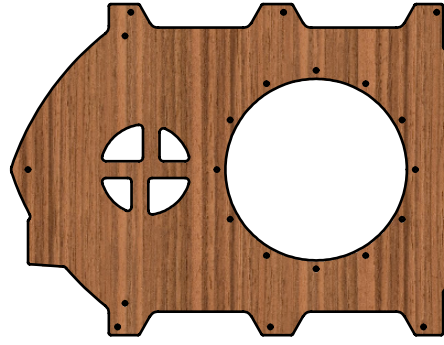
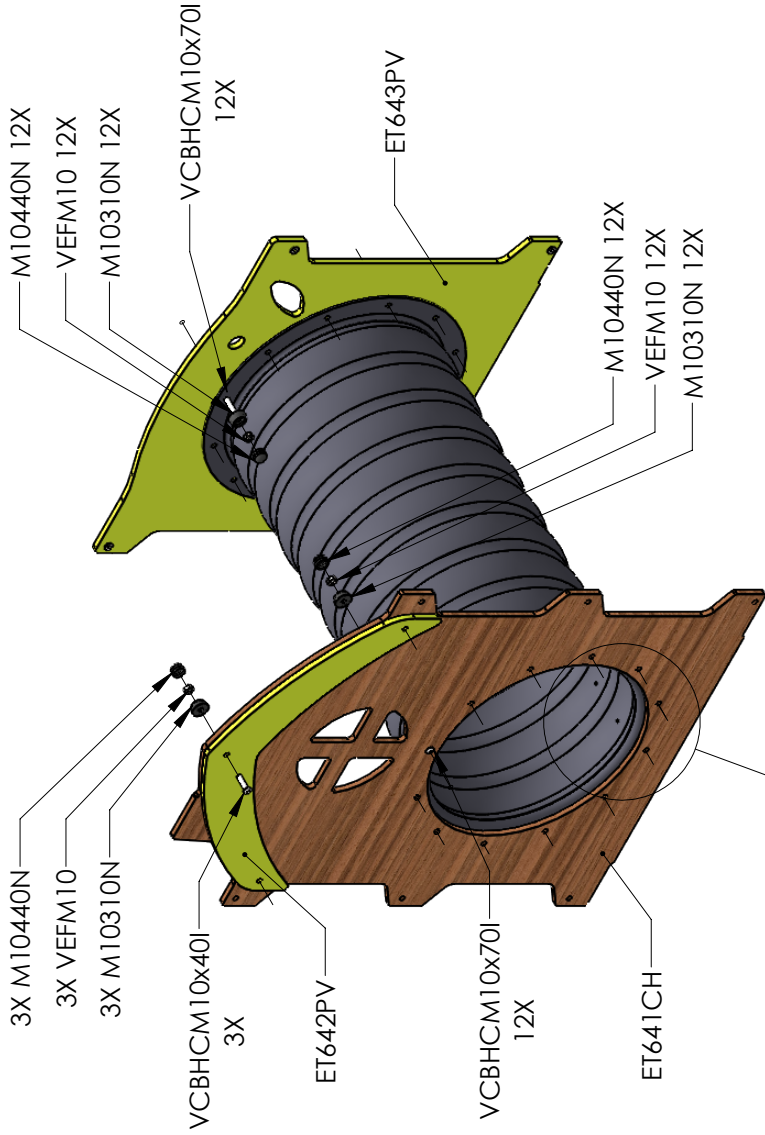
X2

3

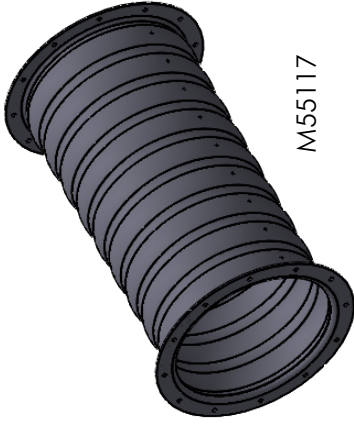


4





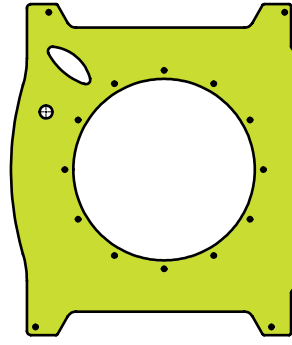
ET641CH



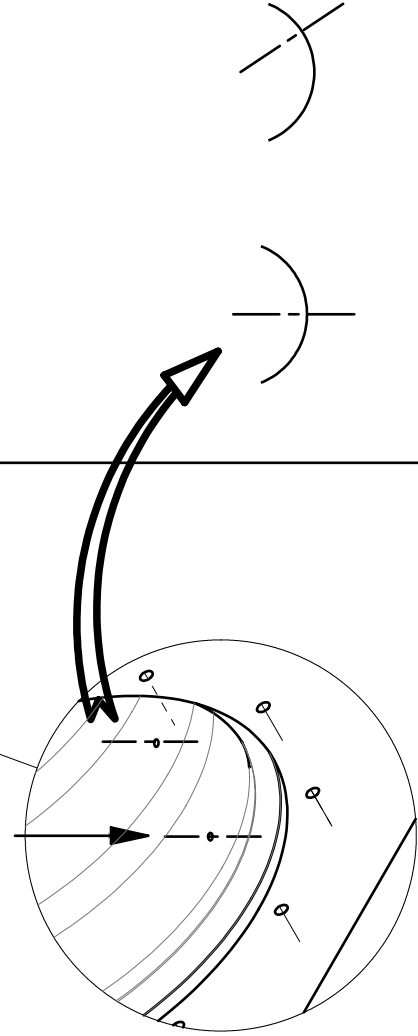
M55117



ET642PV



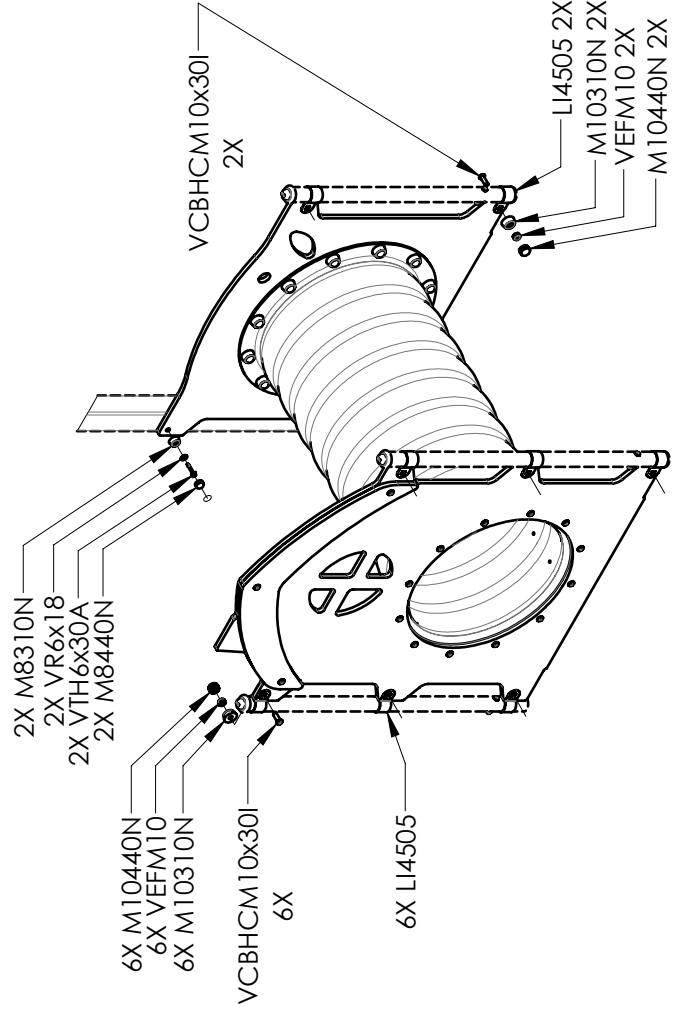
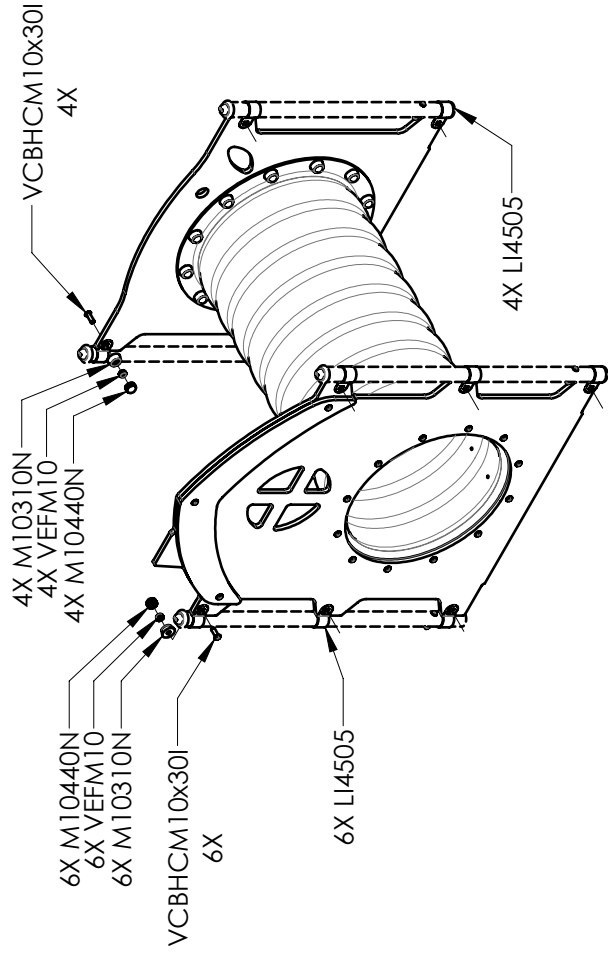
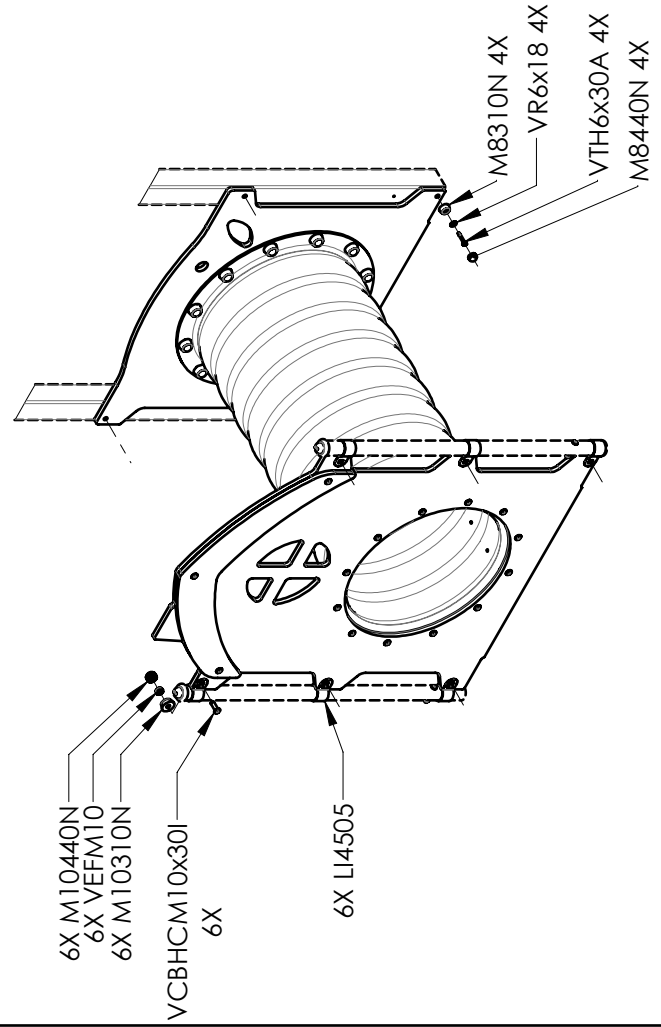
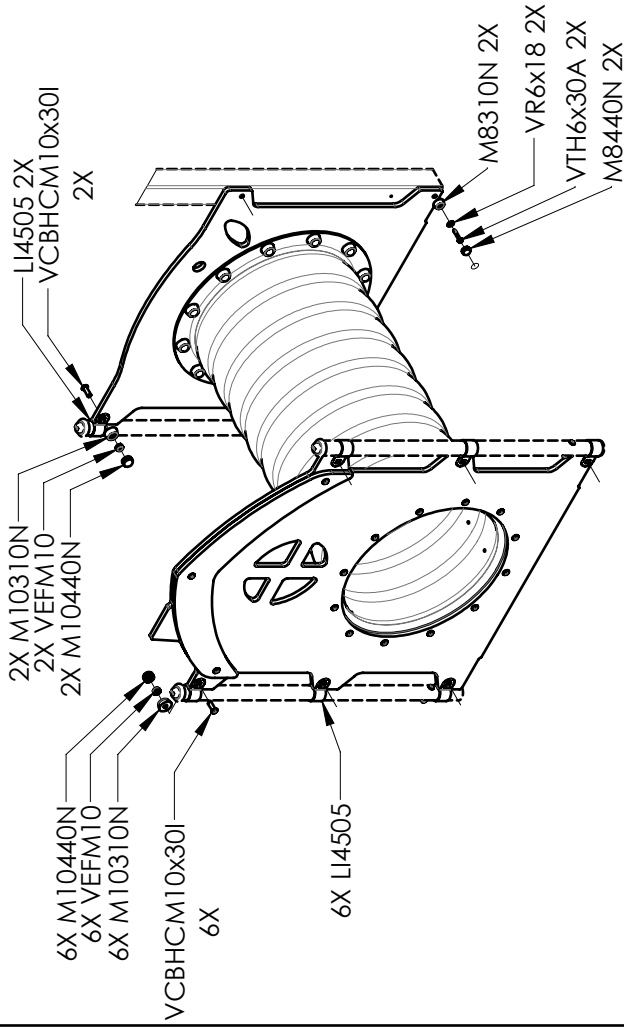
ET643PV

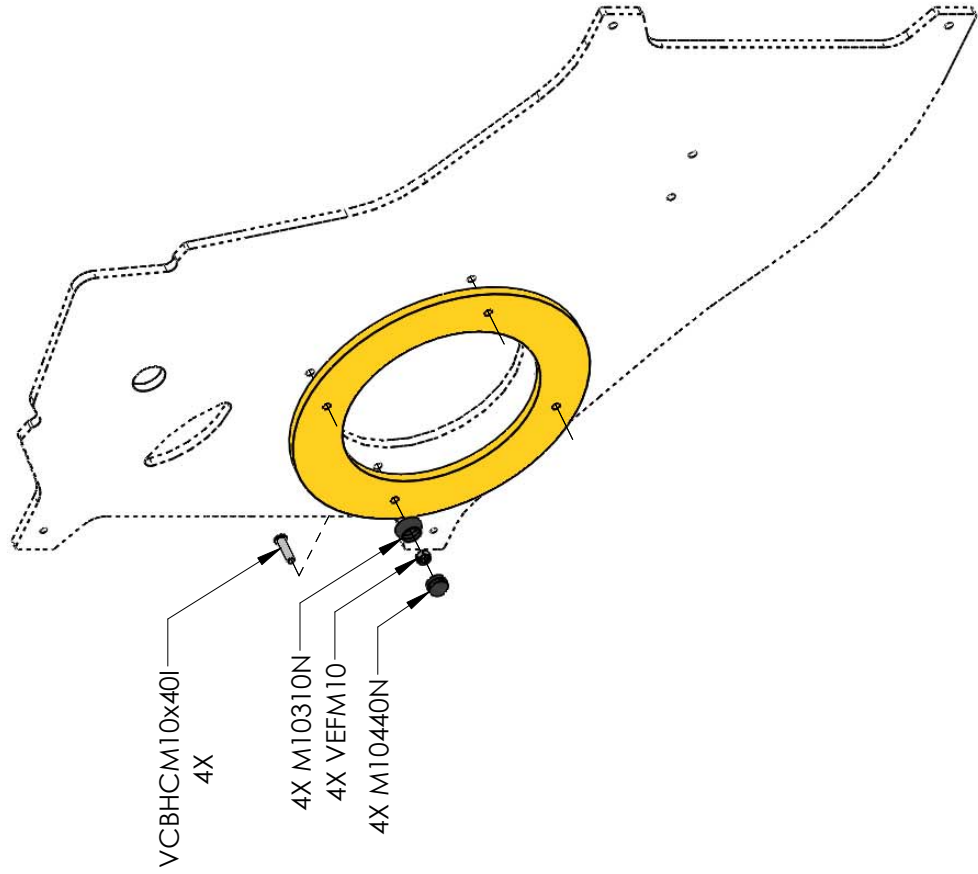


OK

NO OK

| Réf | Qté |
|--------------|-----|
| ET641CH | 1 |
| ET642PV | 1 |
| ET643PV | 1 |
| LI4505 | 10 |
| M8310N | 4 |
| M8440N | 4 |
| M10310N | 35 |
| M10440N | 35 |
| M55117 | 1 |
| VCBHCMI0x30I | 8 |
| VCBHCMI0x40I | 27 |
| VEFM10 | 35 |
| VR6x18 | 4 |
| VTH6x30A | 4 |
| VCBHCMI0x30I | 2 |
| M10310N | 2 |
| VEFM10 | 2 |
| M10440N | 2 |





VCBHCM10x40I
4X

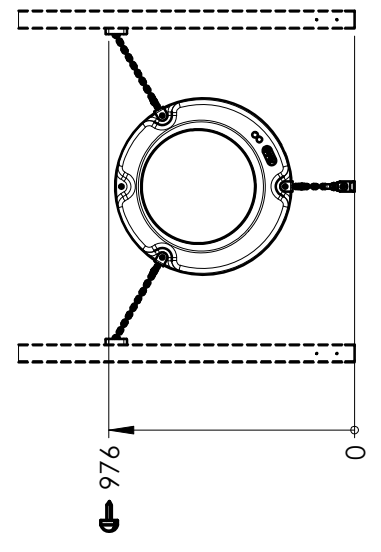
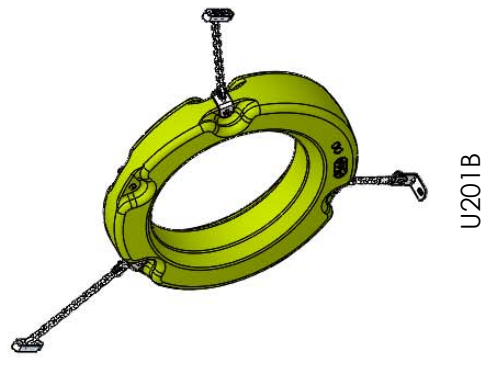
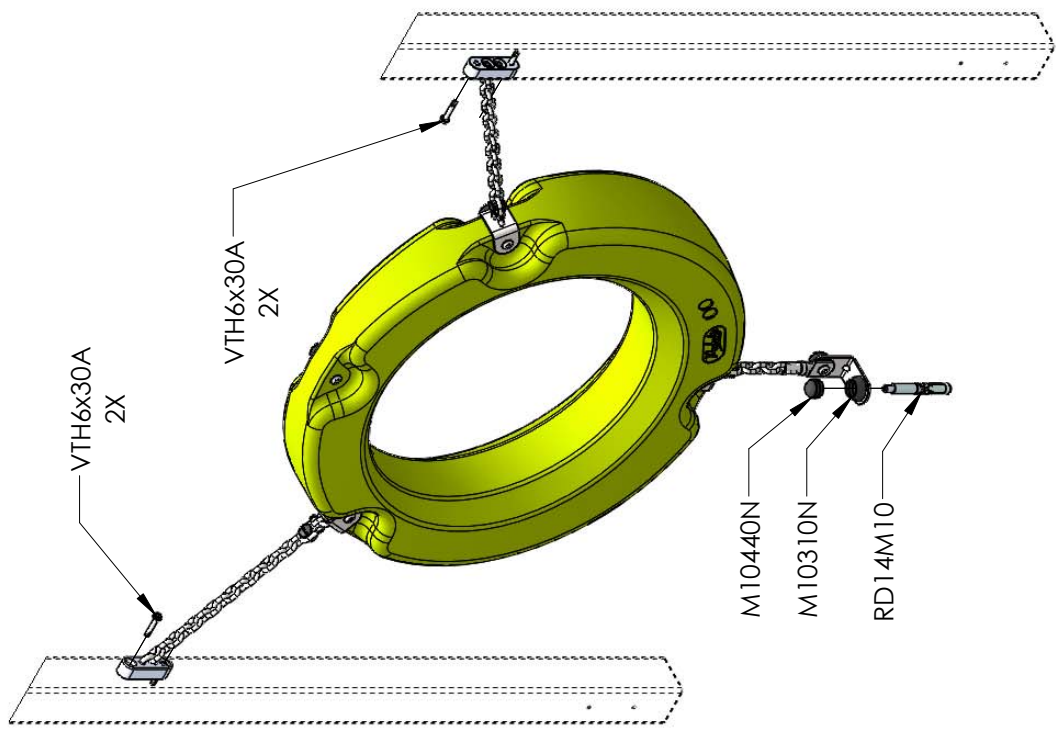
4X M10310N

4X VEFM10

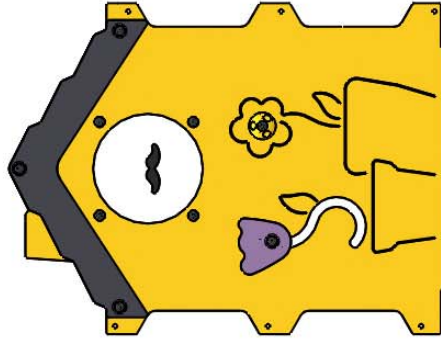
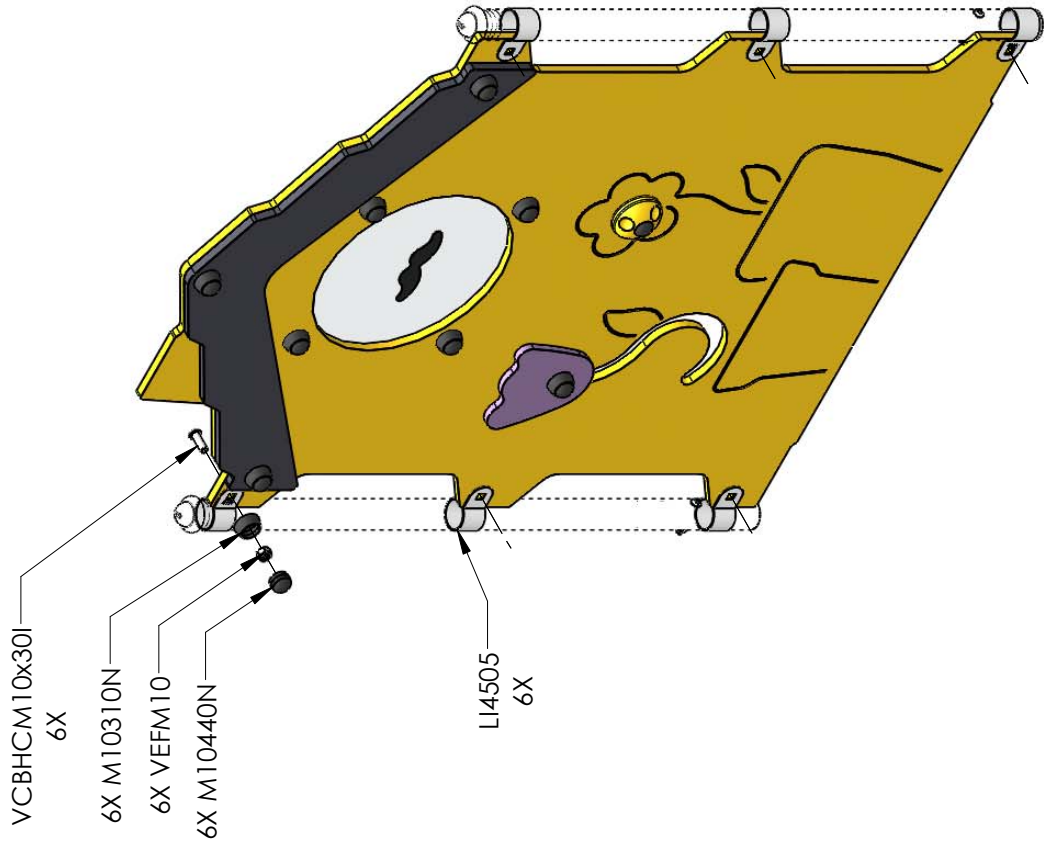
4X M10440N

ET29035J

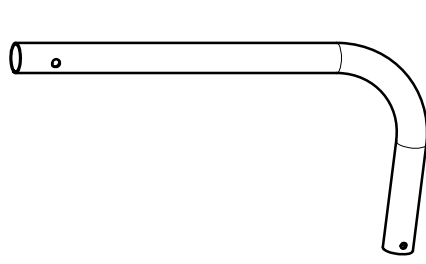
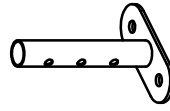
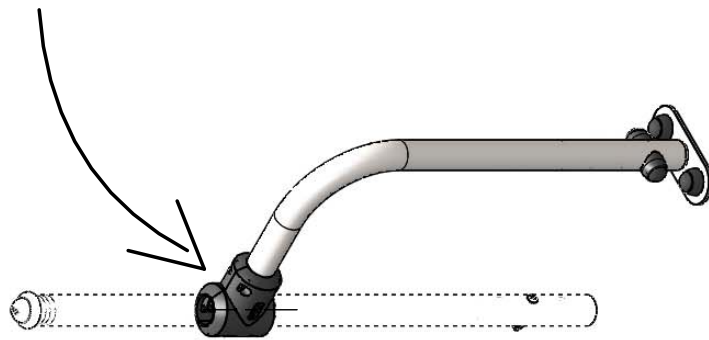
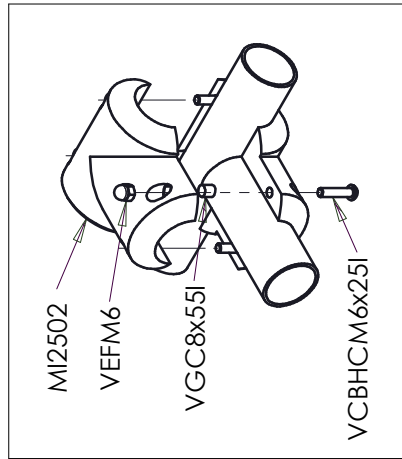
| Réf | Qté |
|--------------|-----|
| ET29035J | 1 |
| M10310N | 4 |
| M10440N | 4 |
| VCBHCM10x40I | 4 |
| VEFM10 | 4 |



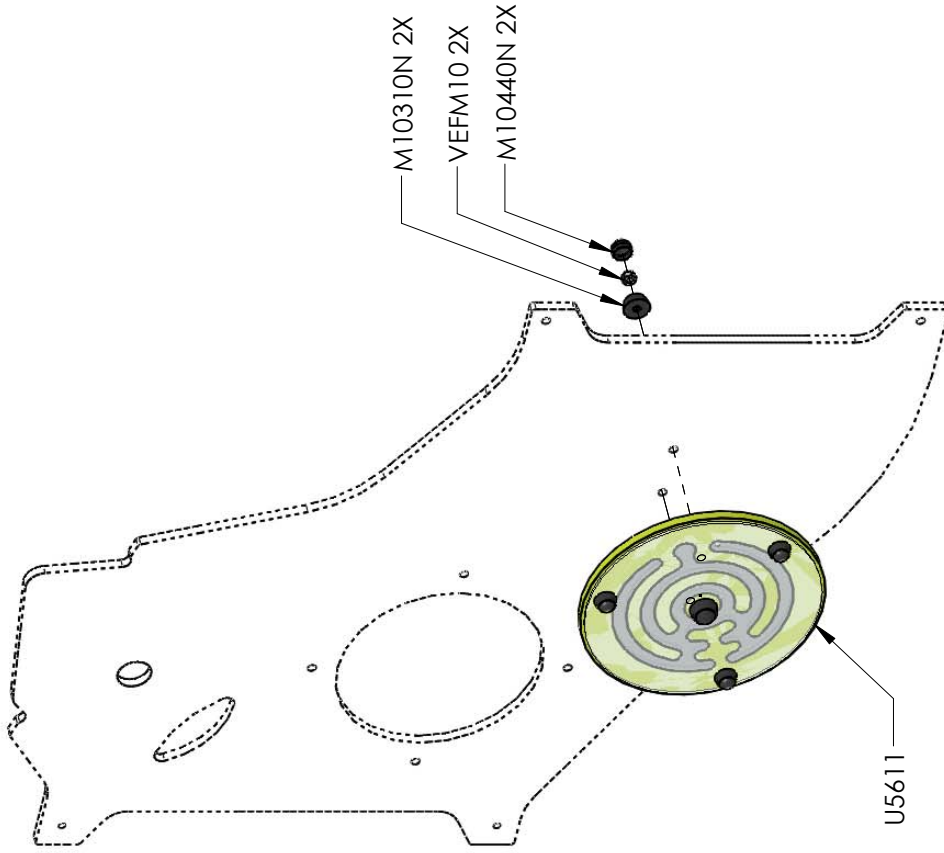
| Réf | Qté |
|----------|-----|
| U201B | 1 |
| VTH6x30A | 4 |
| RD14M10 | 1 |
| M10310N | 1 |
| M10440N | 1 |



| Réf | Qté |
|--------------|-----|
| U202 | 1 |
| LI4505 | 6 |
| M10310N | 6 |
| M10440N | 6 |
| VCBHCM10x30I | 6 |
| VEFM10 | 6 |

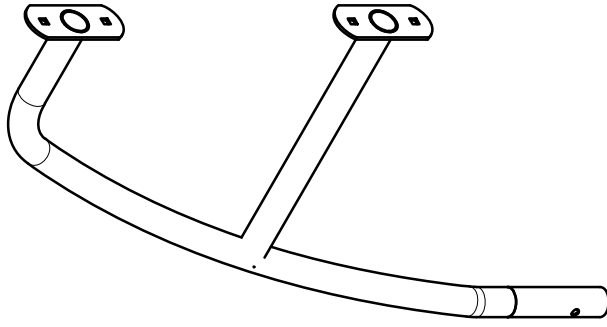
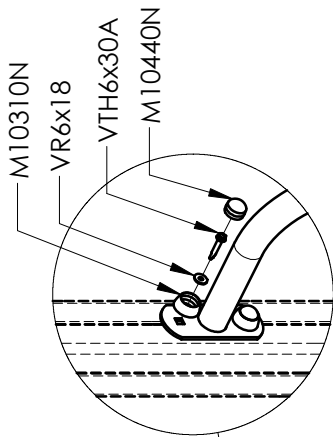
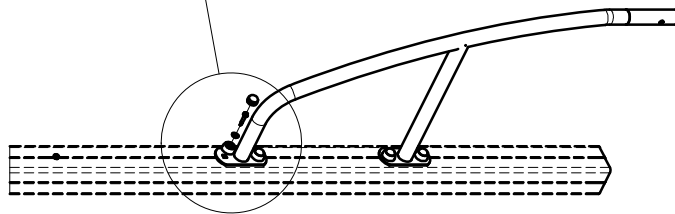


| Réf | Qté |
|-------------|-----|
| LG4503 | 1 |
| LI45300 | 1 |
| M10310N | 2 |
| M10440N | 4 |
| MI2502N | 2 |
| MI2503N | 2 |
| RD14M10 | 2 |
| VCBHCM6x25I | 4 |
| VEFM6 | 4 |
| VEFM10 | 1 |
| VGC8x55I | 1 |
| VTH10x60 | 1 |

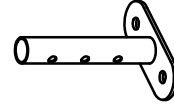


U5611

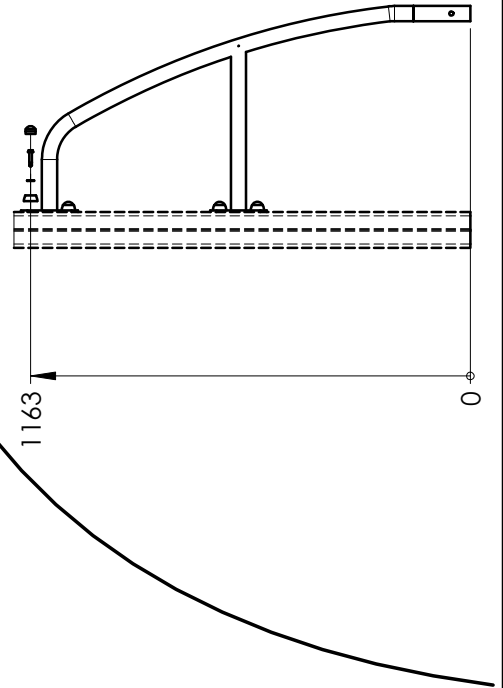
| Réf | Qté |
|---------|-----|
| M10310N | 2 |
| M10440N | 2 |
| U5611 | 1 |
| VEFM10 | 2 |



LI3894



LG4503



| Réf | Qté |
|----------|-----|
| LG4503 | 1 |
| LI3894 | 1 |
| M10310N | 6 |
| M10440N | 8 |
| M12503N | 2 |
| RD14M10 | 2 |
| VEFM10 | 1 |
| VR6x18 | 4 |
| VTH6x30A | 4 |
| VTH10x60 | 1 |