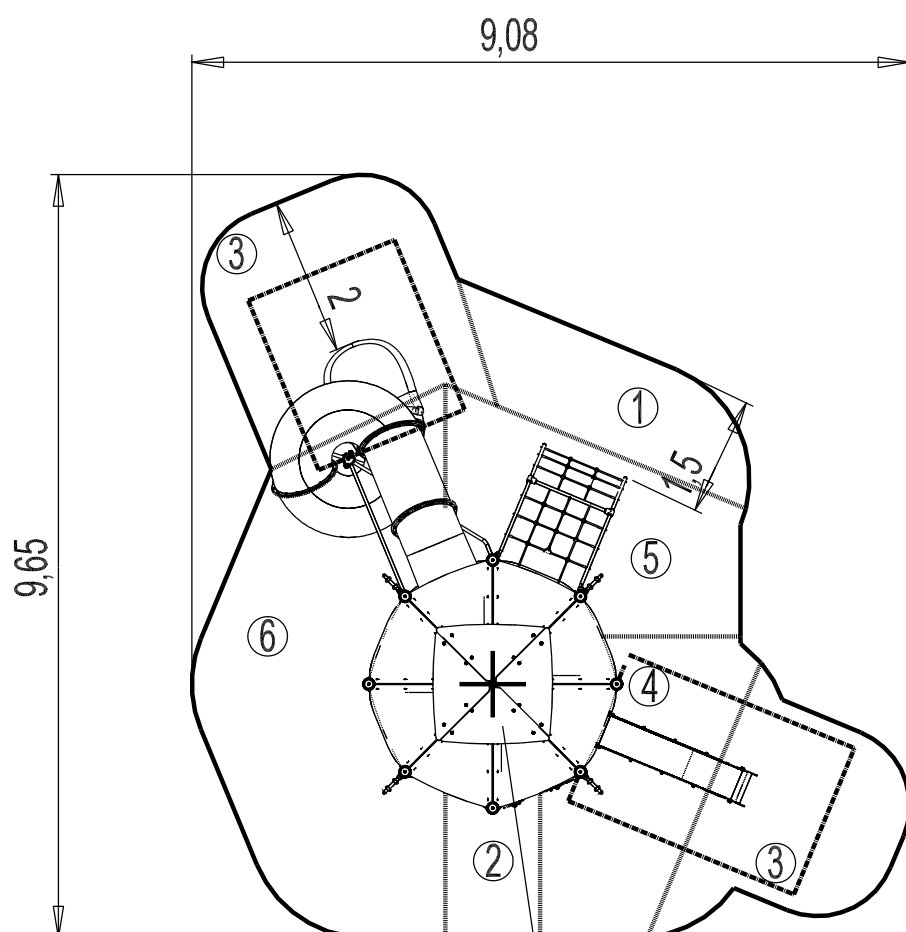


N°		M <sup>2</sup>
①	0.6 m	5 m <sup>2</sup>
②	0.97 m	5 m <sup>2</sup>
③	1 m	15.5 m <sup>2</sup>
④	1.17 m	8.5 m <sup>2</sup>
⑤	1.77 m	9 m <sup>2</sup>
⑥	2.37 m	17.5 m <sup>2</sup>

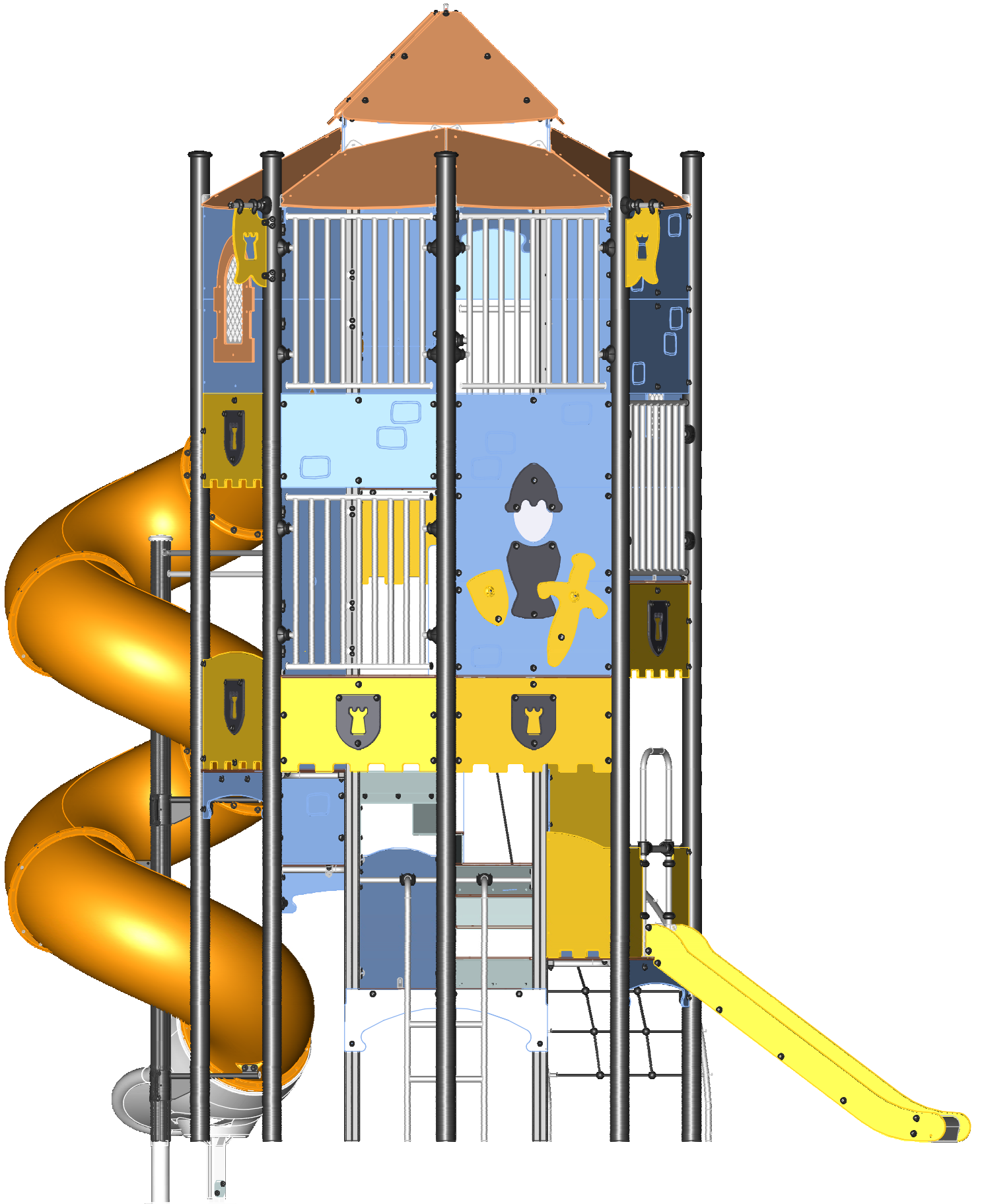
— Zone d'Impact  
 Impact Area  
 Area de Impacto  
 Fallraum

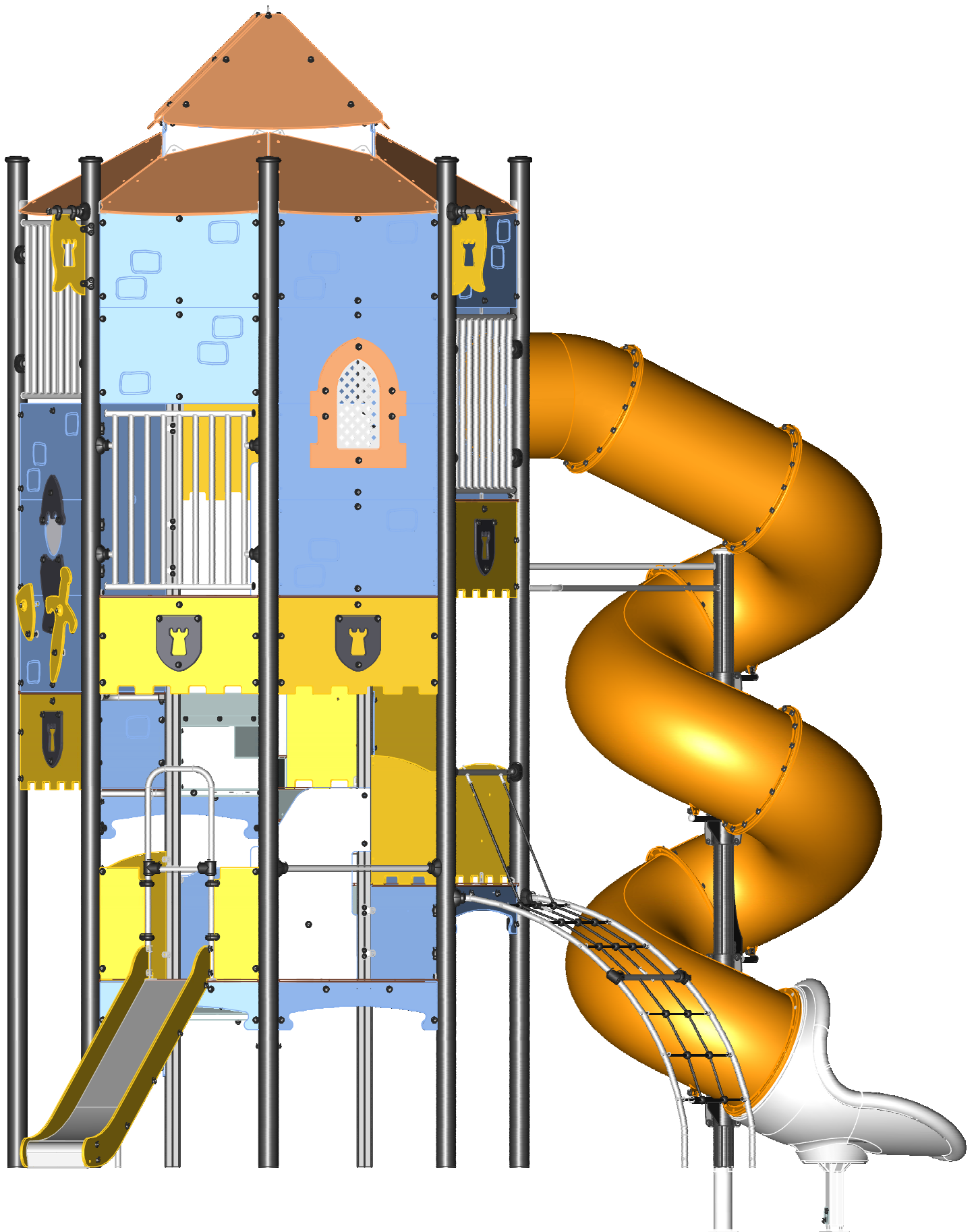
EN 1176-1 : 2017  
 EN 1176-3 : 2017

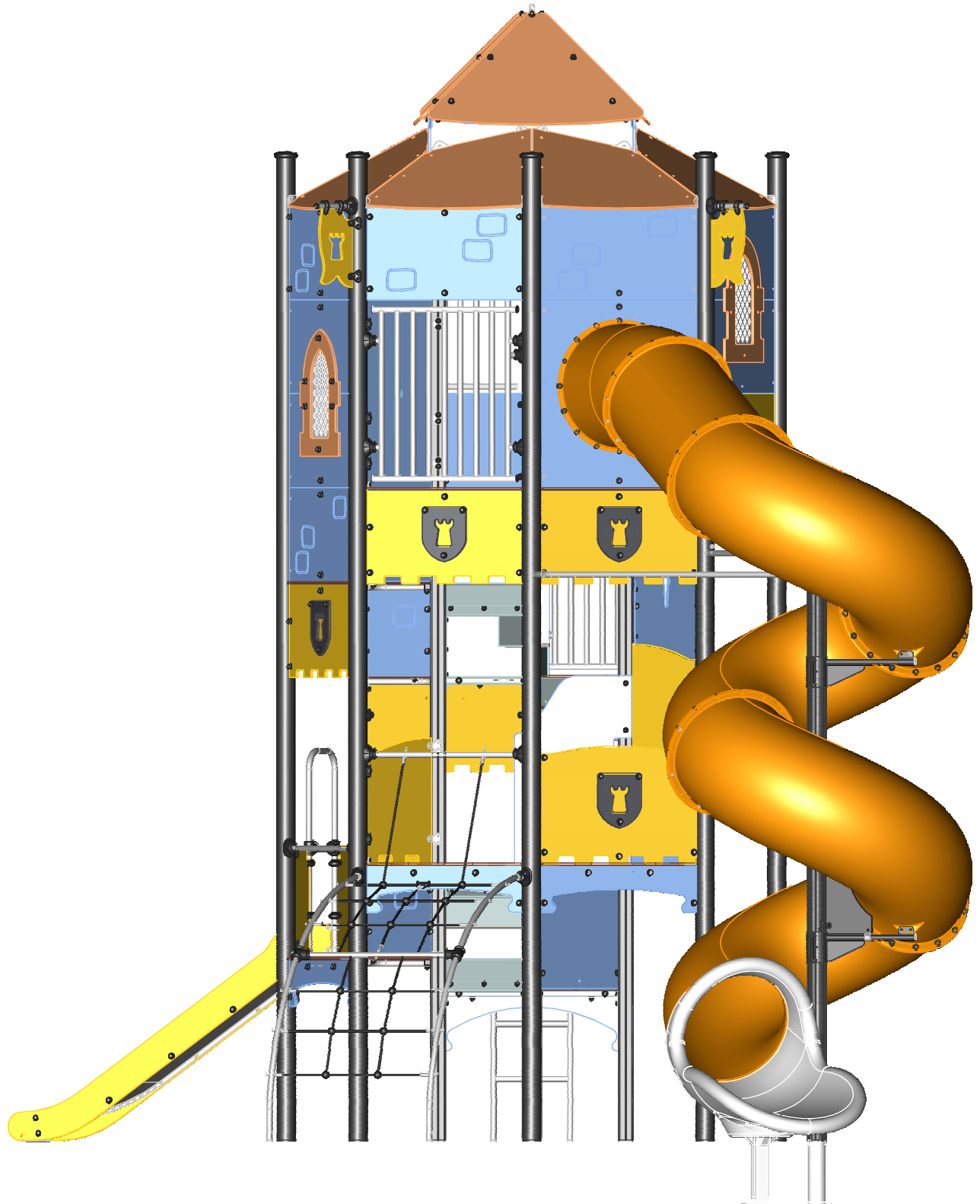
- - - Espace libre  
 Free Space  
 Espacio Libre  
 Freiraum

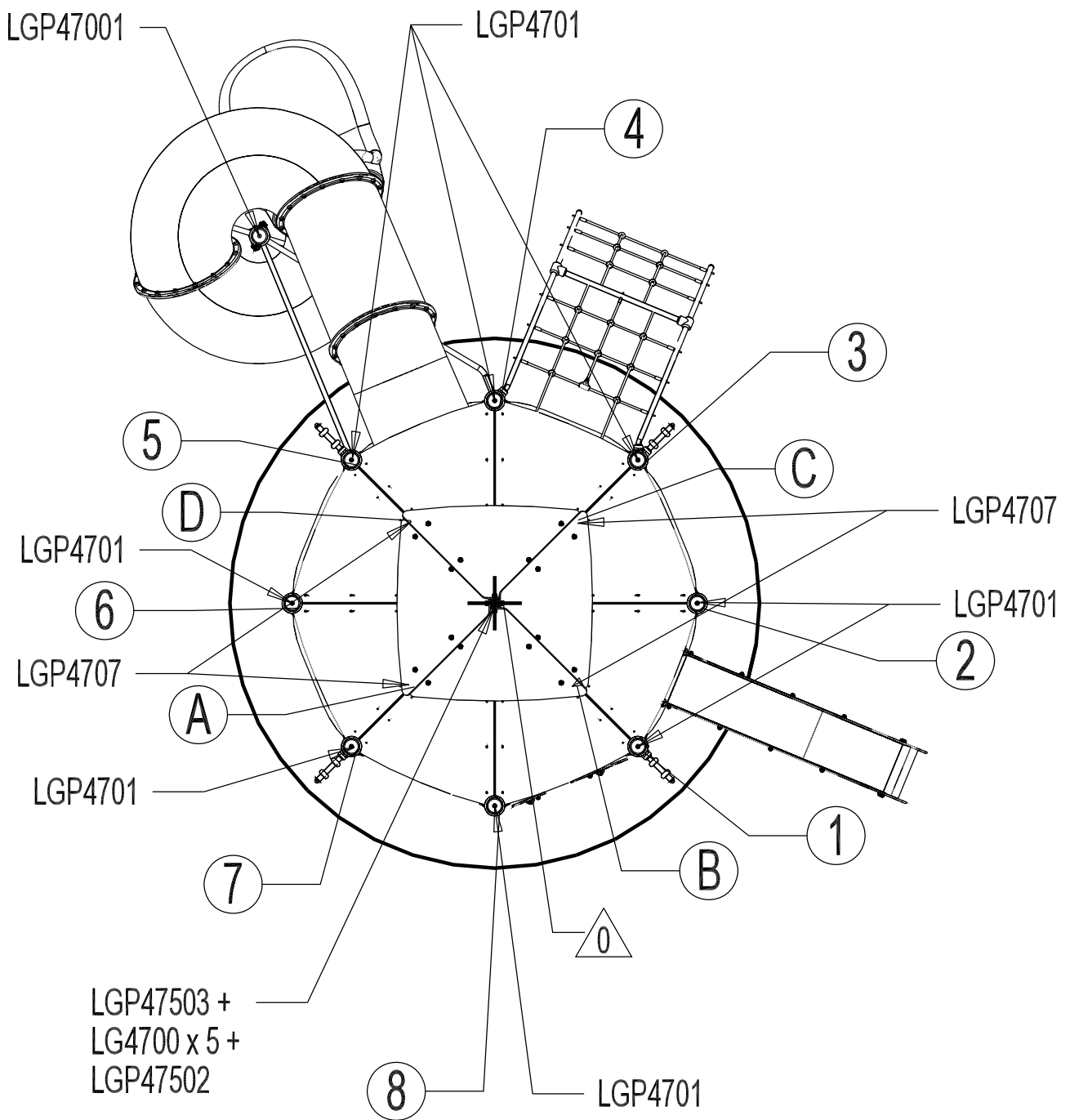


Point de Référence  
 Setting Out Point  
 Punto de referencia  
 Bezugspunkt

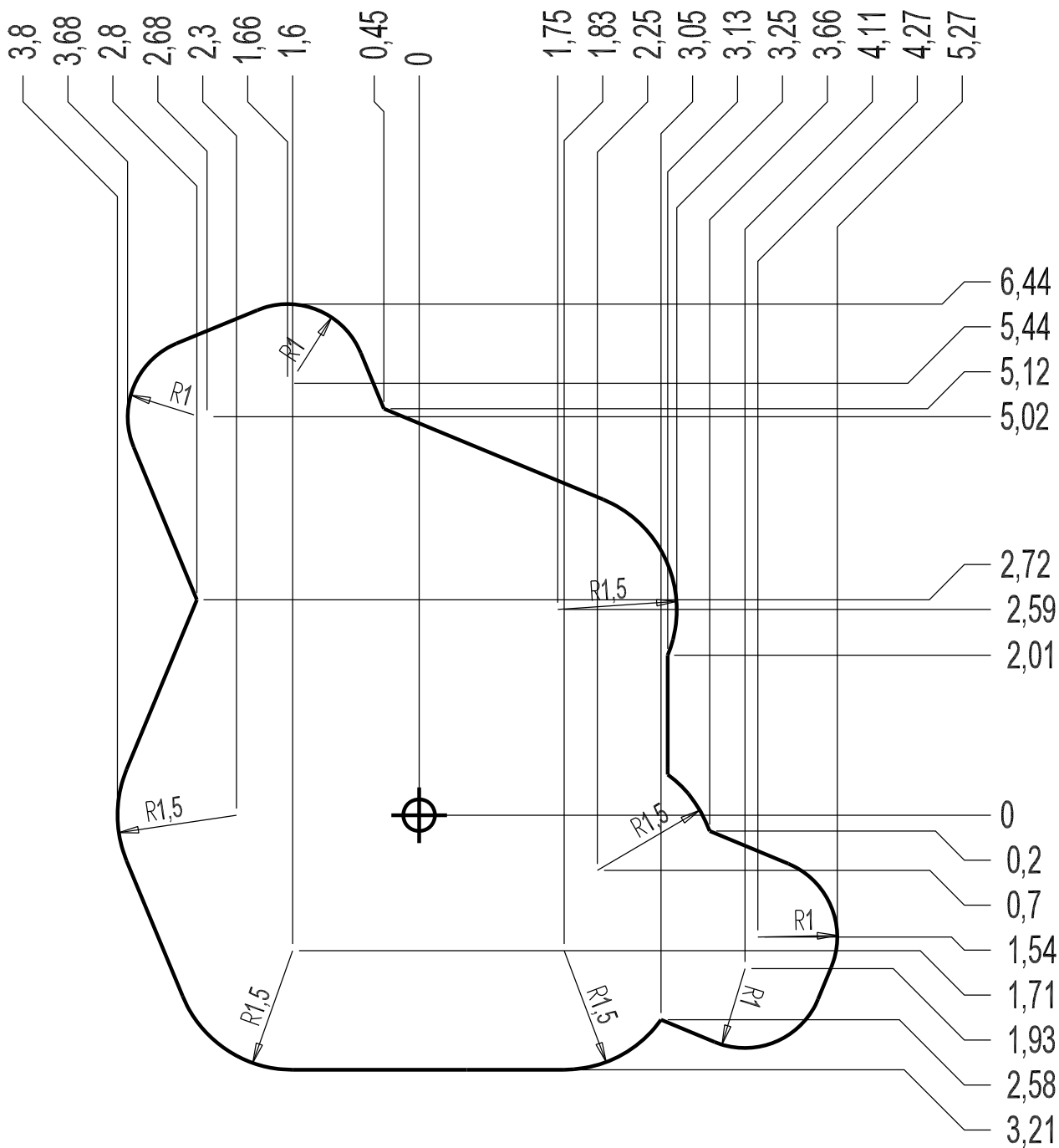






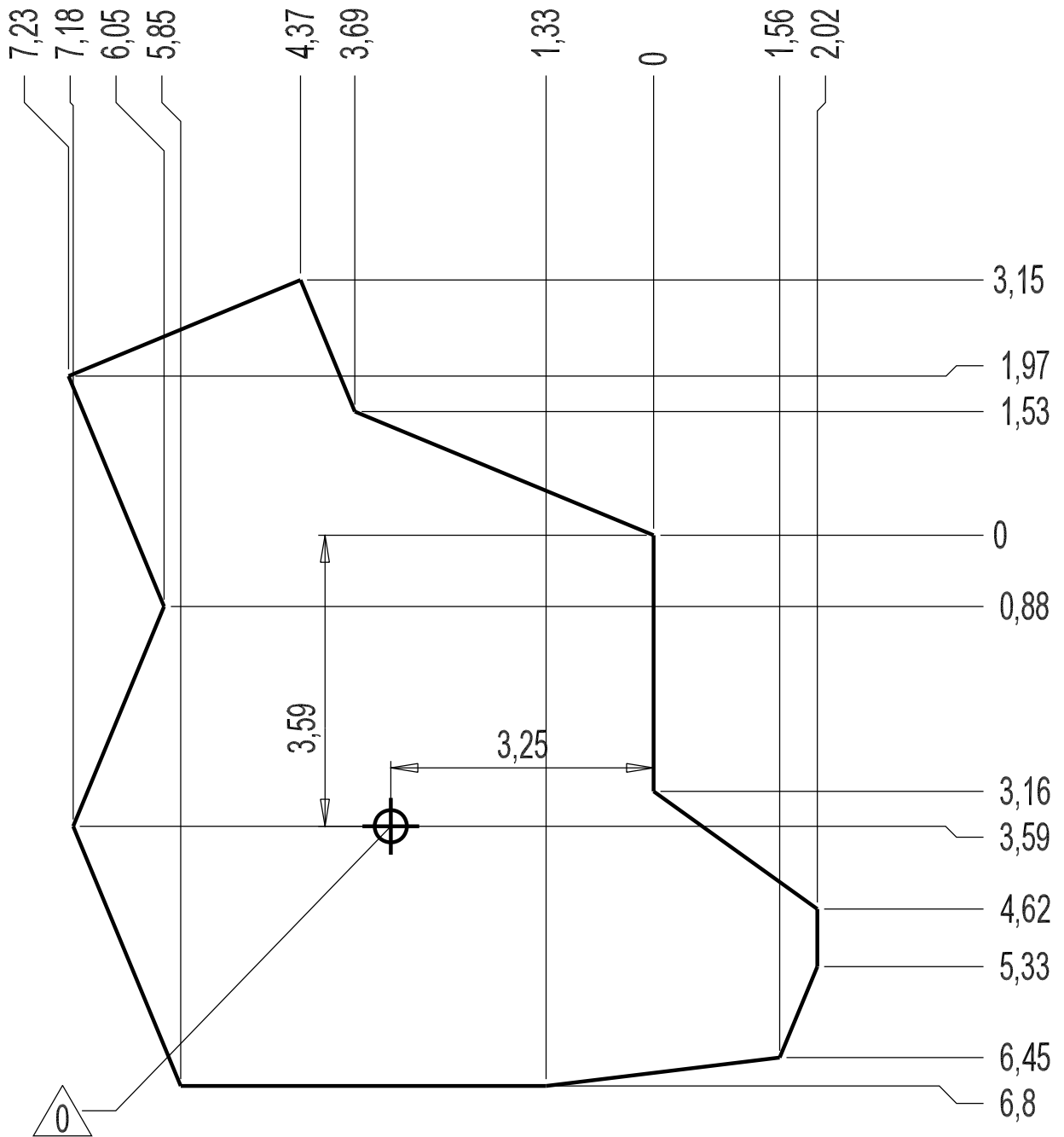


— Zone d'Impact **60.5 m<sup>2</sup>**  
 Impact Area  
 Area de Impacto  
 Fallraum



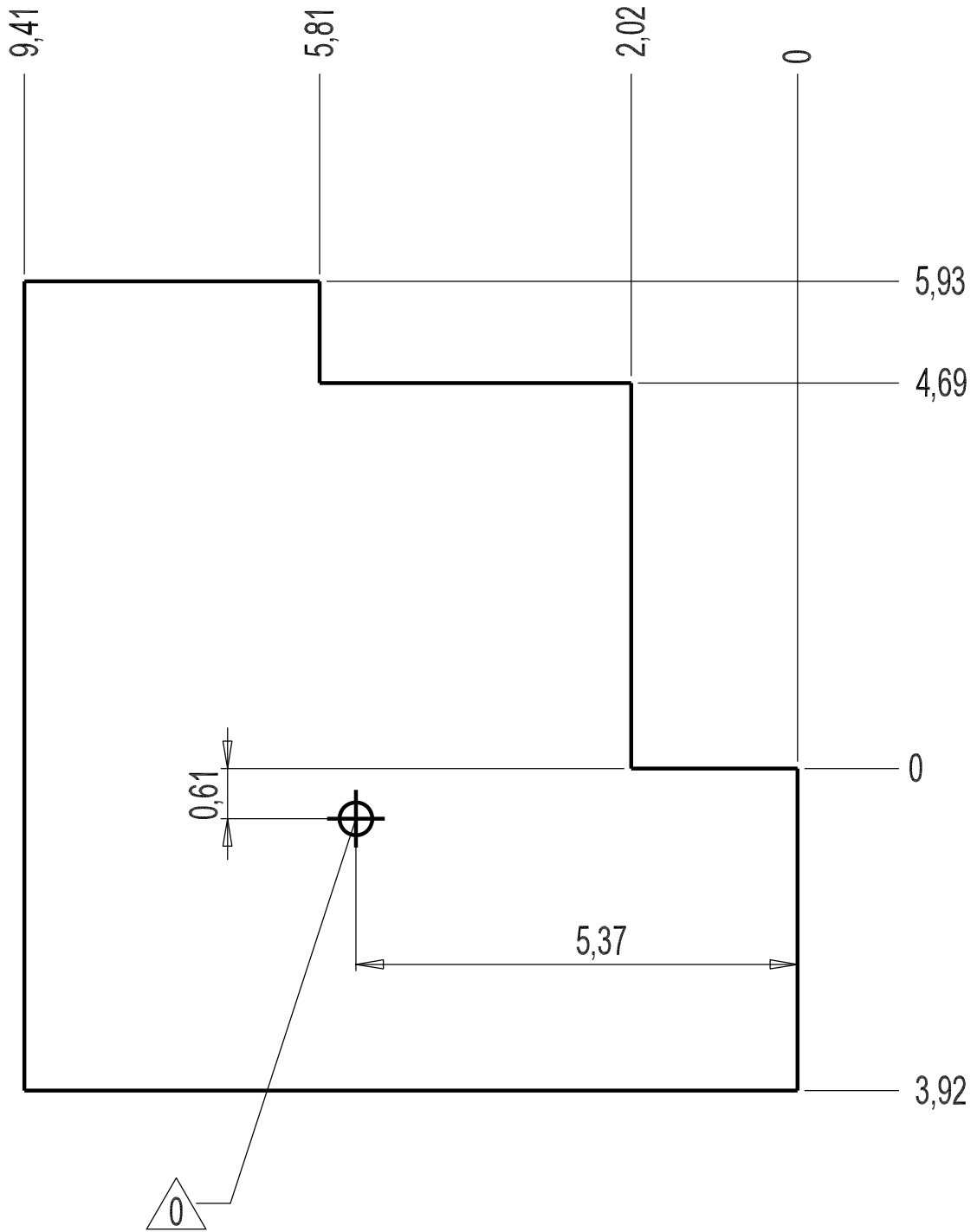
— Dalle béton  
 Concrete pad  
 Solera de Hormigón  
 Beton Bodenplatte

34 m  
 60 m<sup>2</sup>

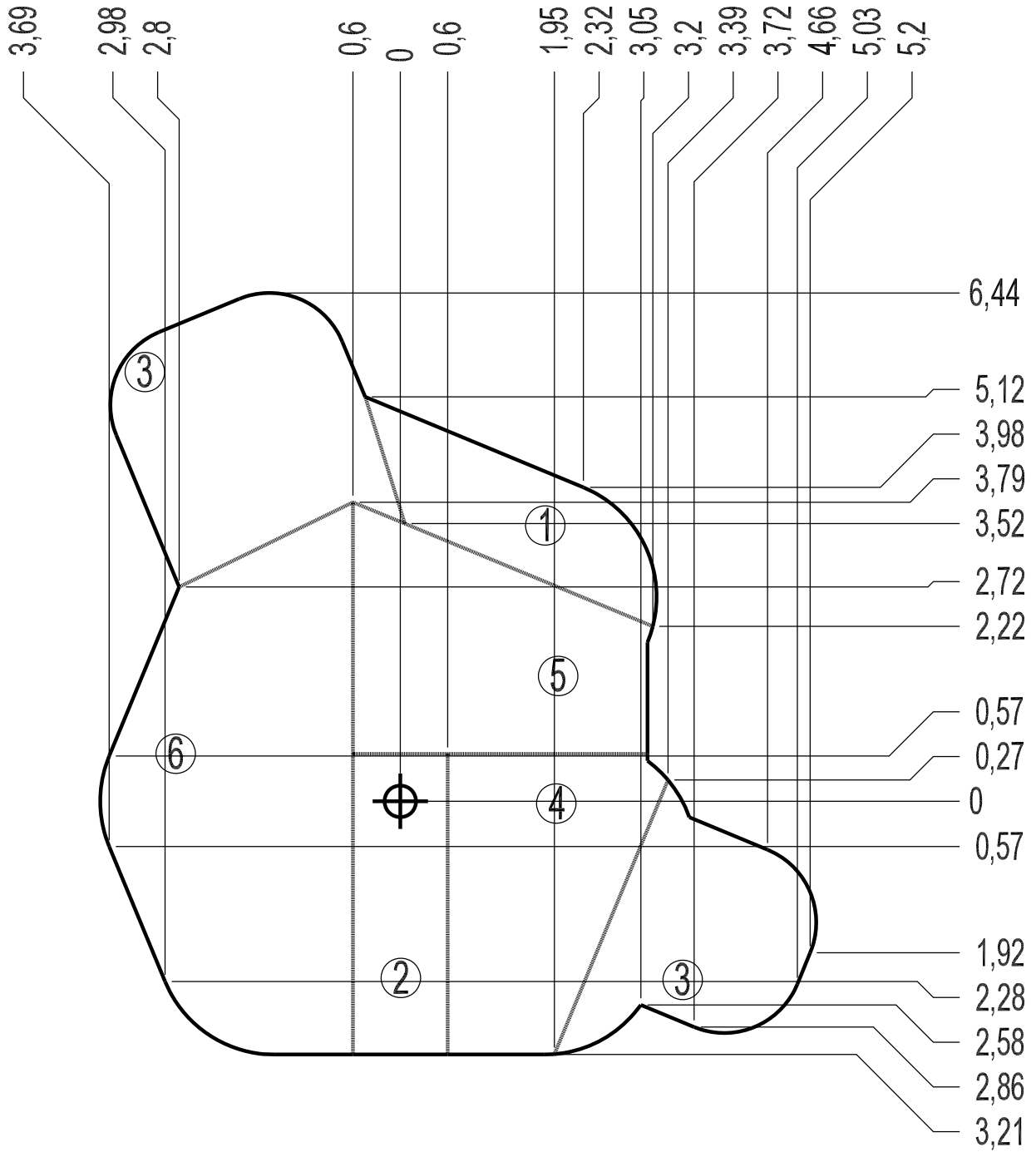


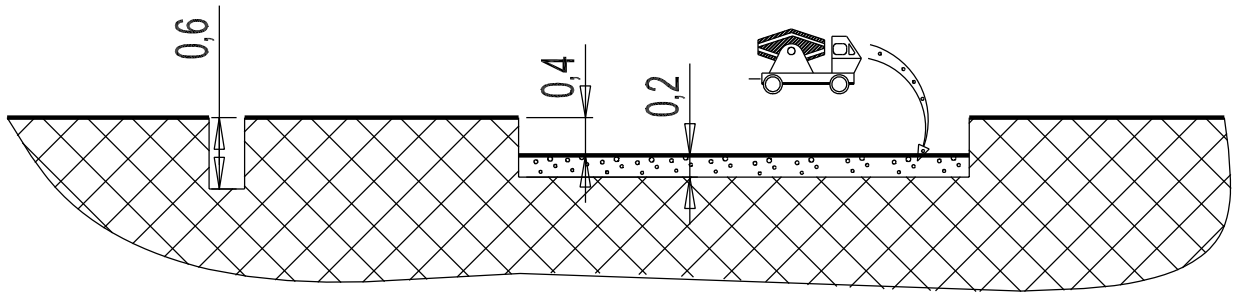


— Sol fluent 40 m  
Loose particle material 76 m<sup>2</sup>  
Arenero  
Loses Bodenmaterial

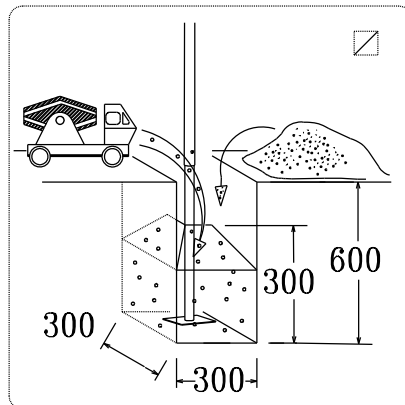
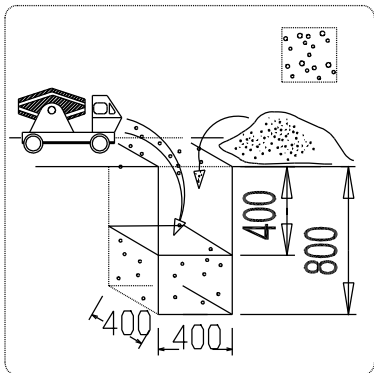
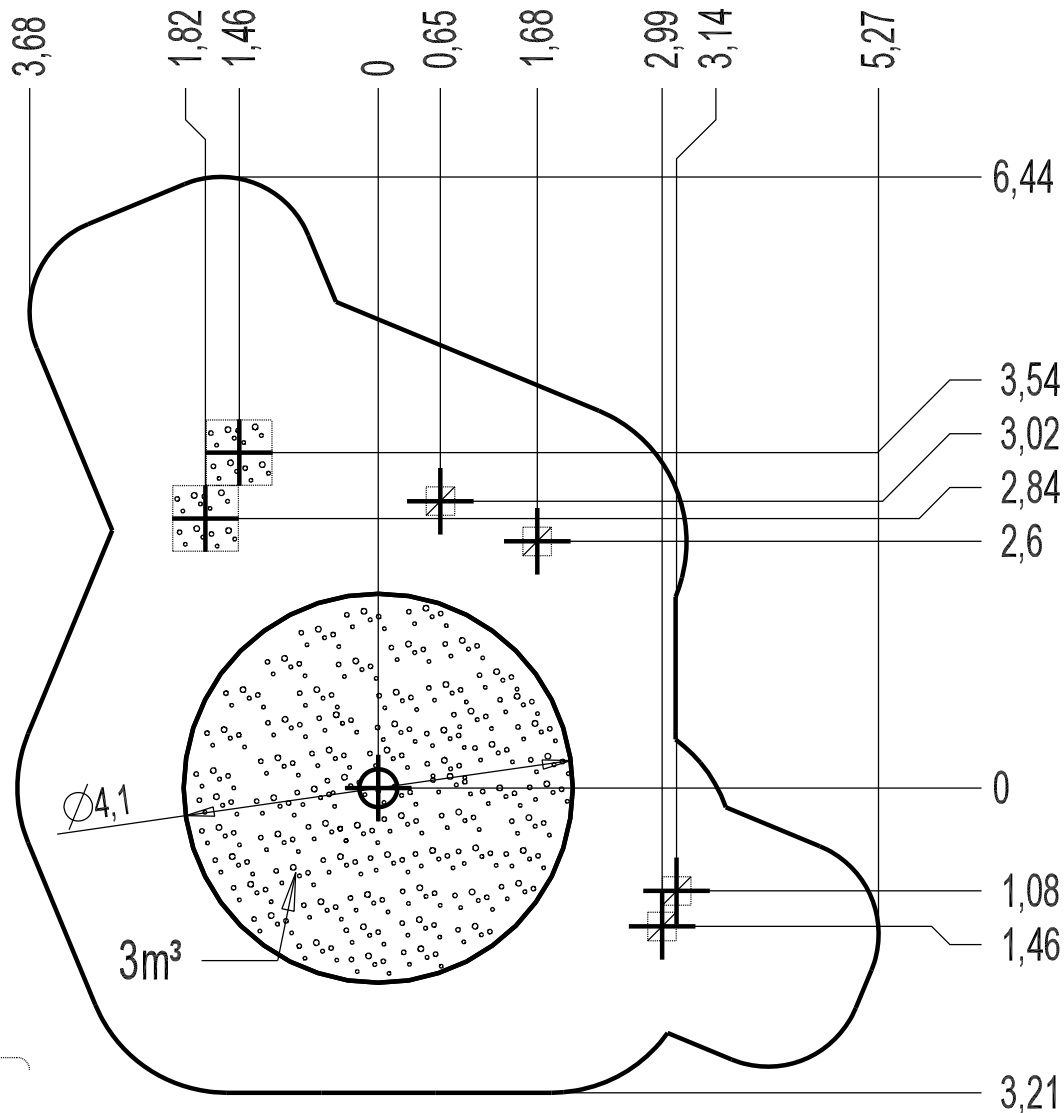


— Sol souple 60.5 m<sup>2</sup>  
 Wetpour  
 Caucho Continuo  
 Synthetischer Fallschutz

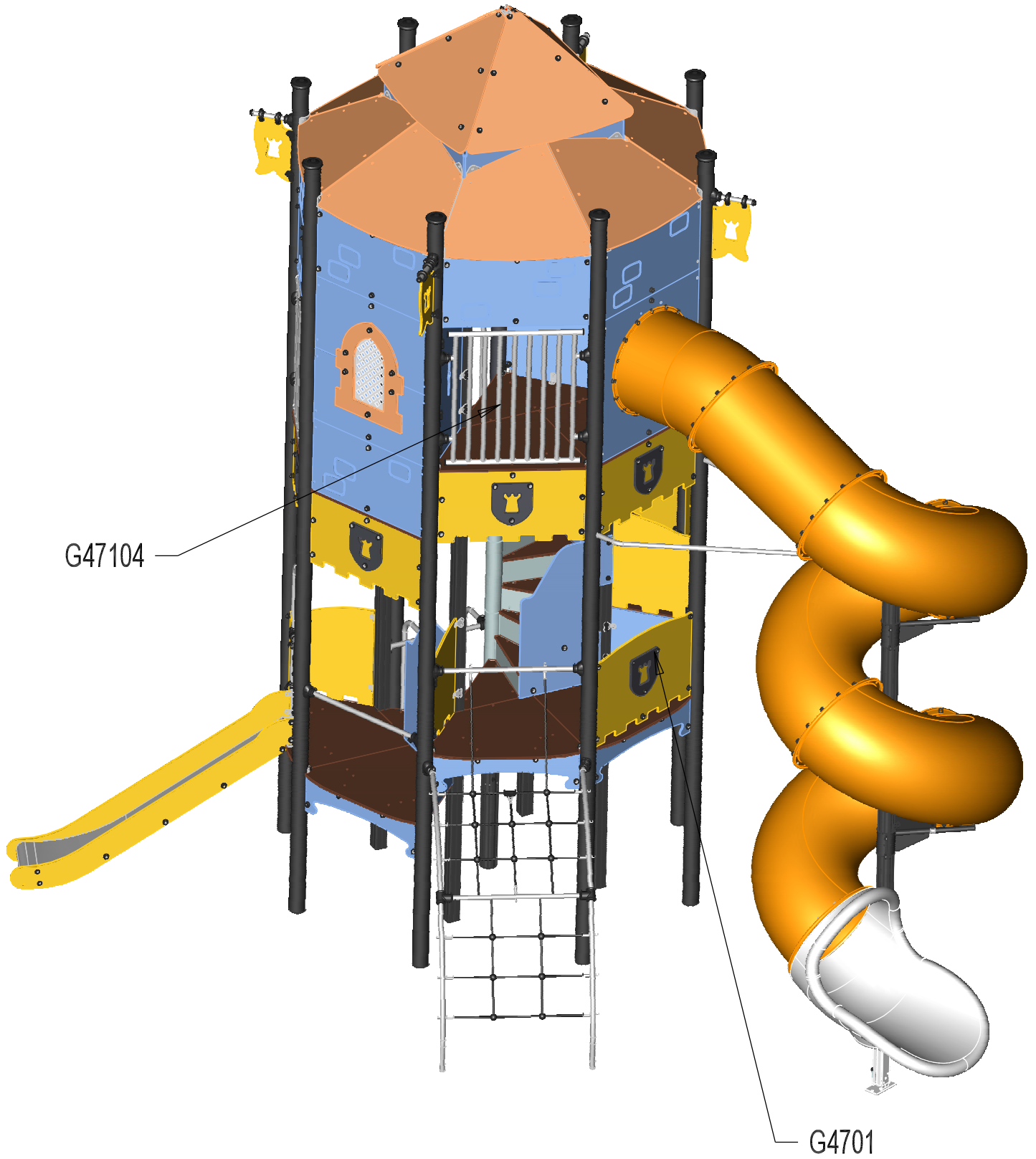


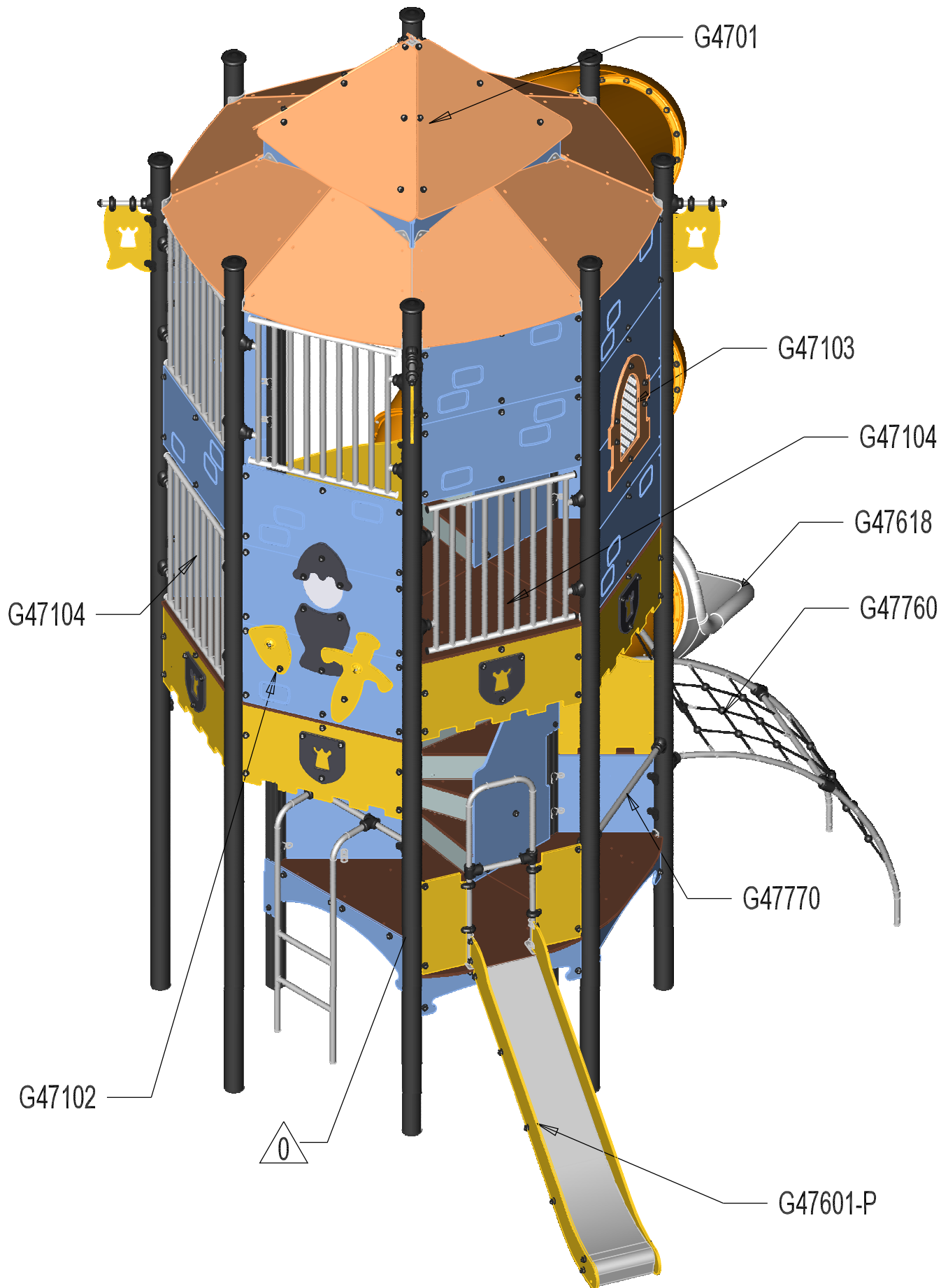


Implantation  
 Footing plan  
 Implantación  
 Fundamentplan



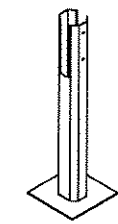
x4	200H	3.4m <sup>3</sup>
----	------	-------------------





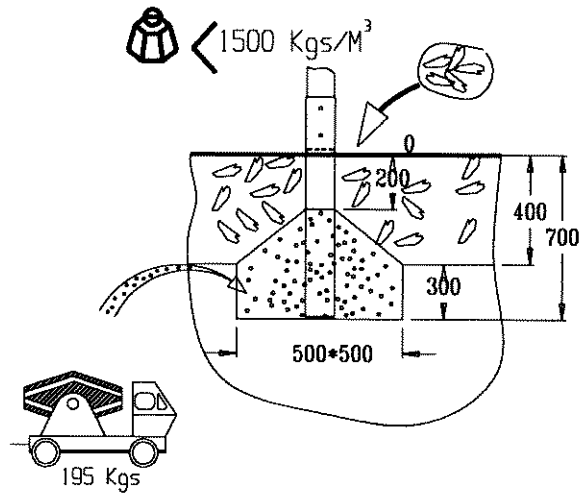
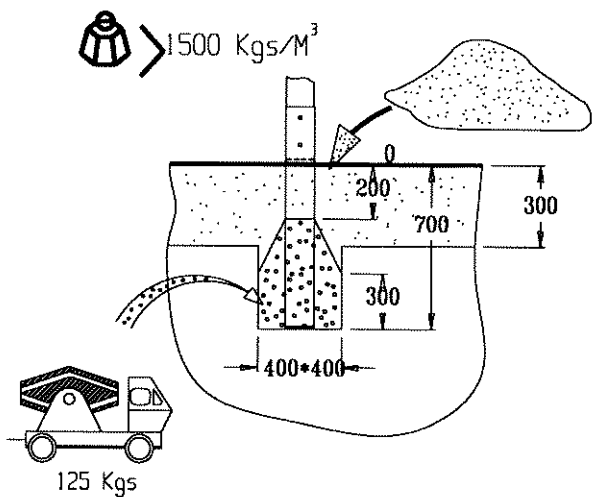
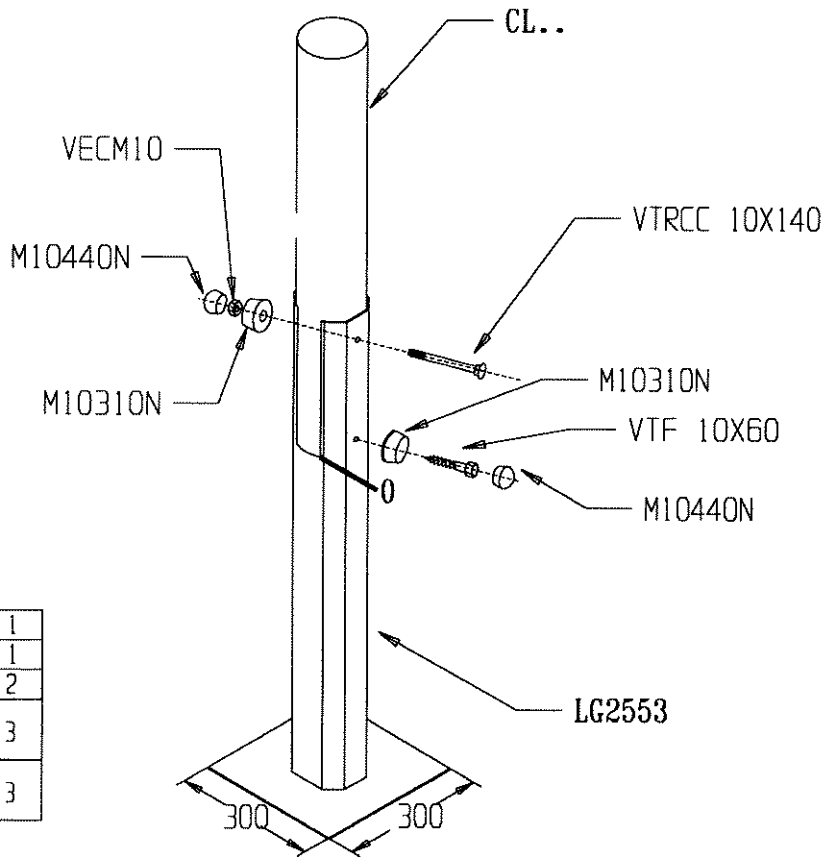
# A

*ProLudic*

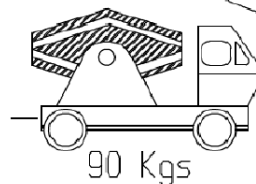
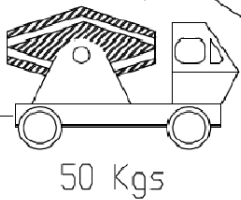
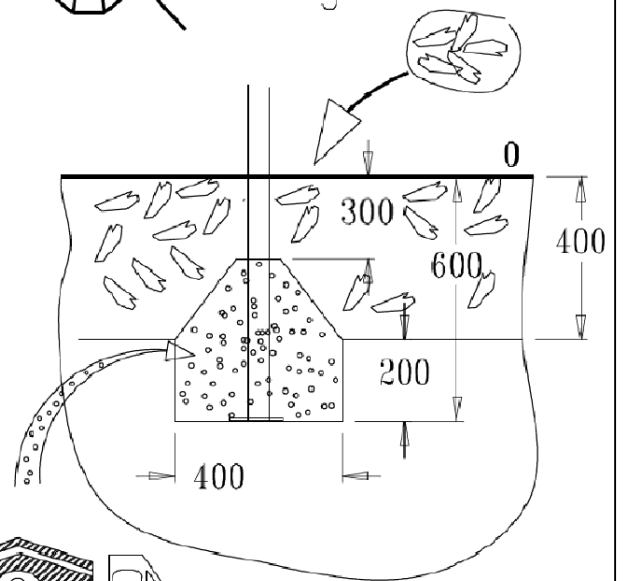
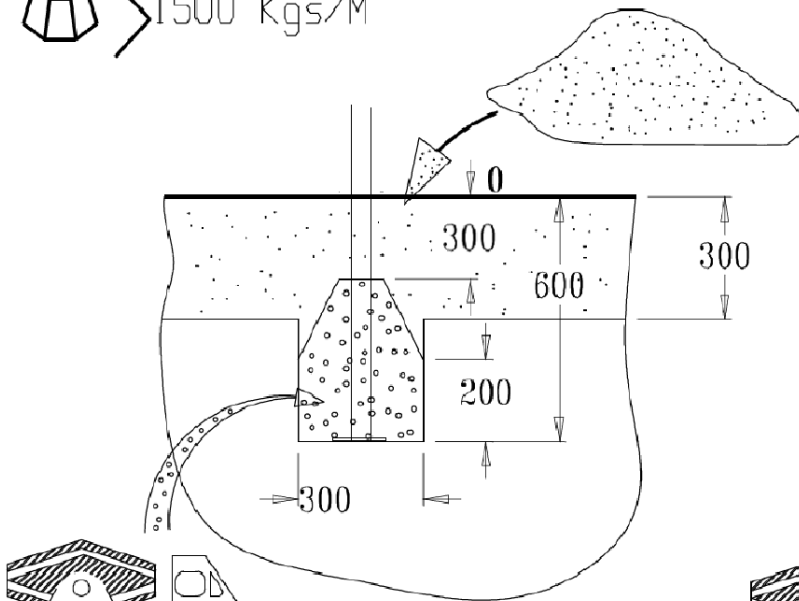
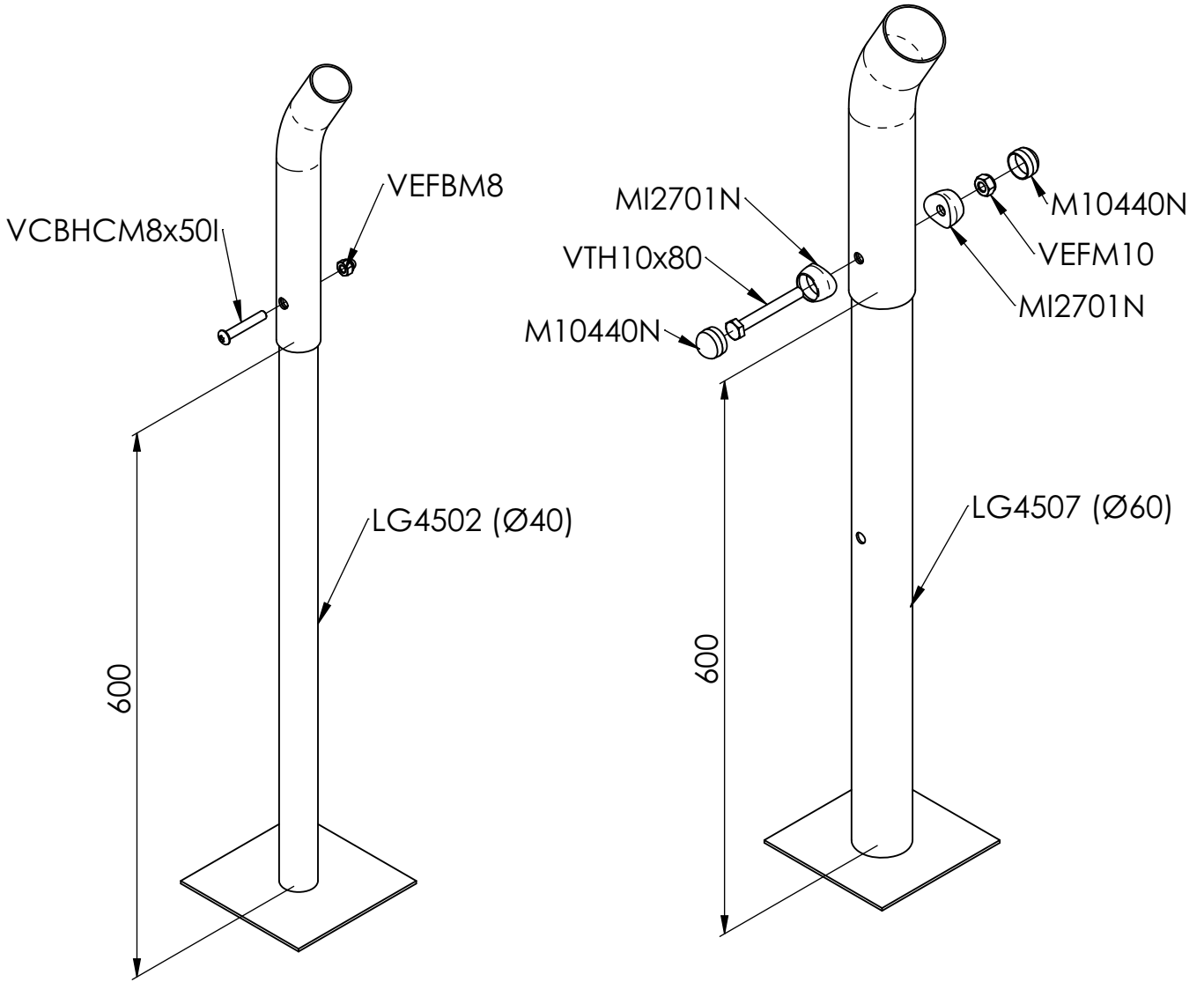


LG2553

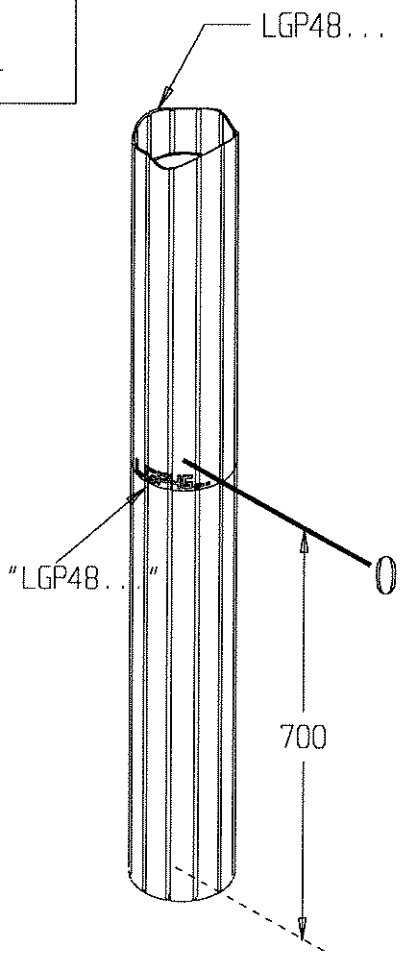
	VTRCC 10x140	1
	VECM10	1
	VTF 10x60	2
	M10310N	3
	M10440N	3



04-05-10

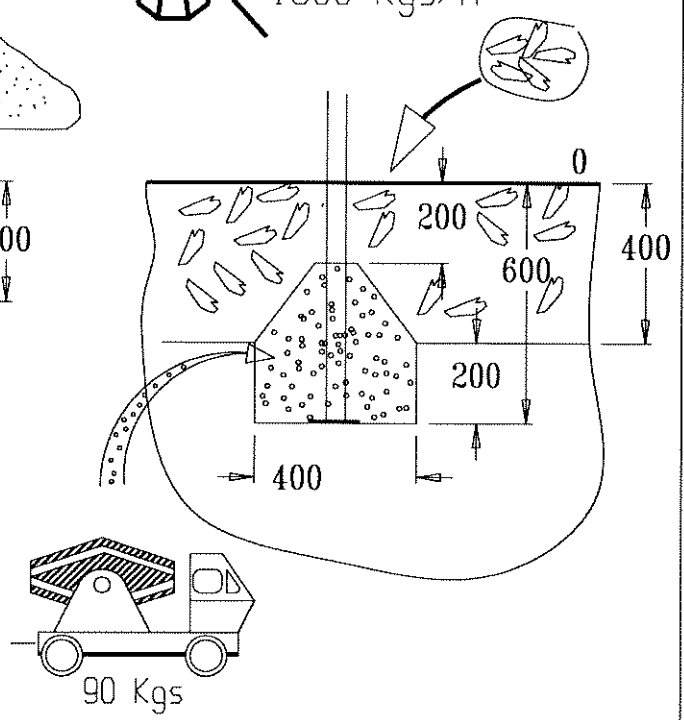
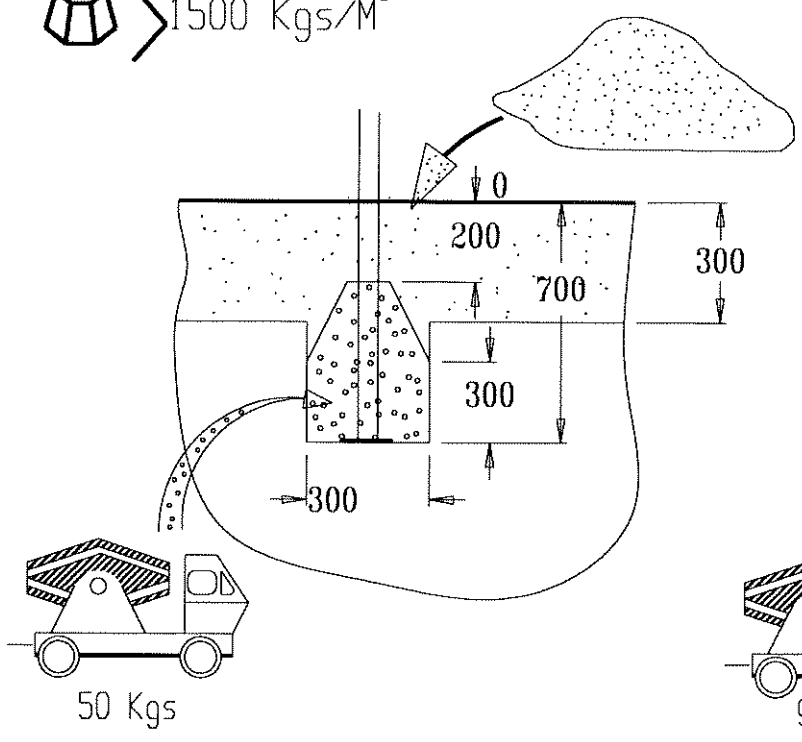


A



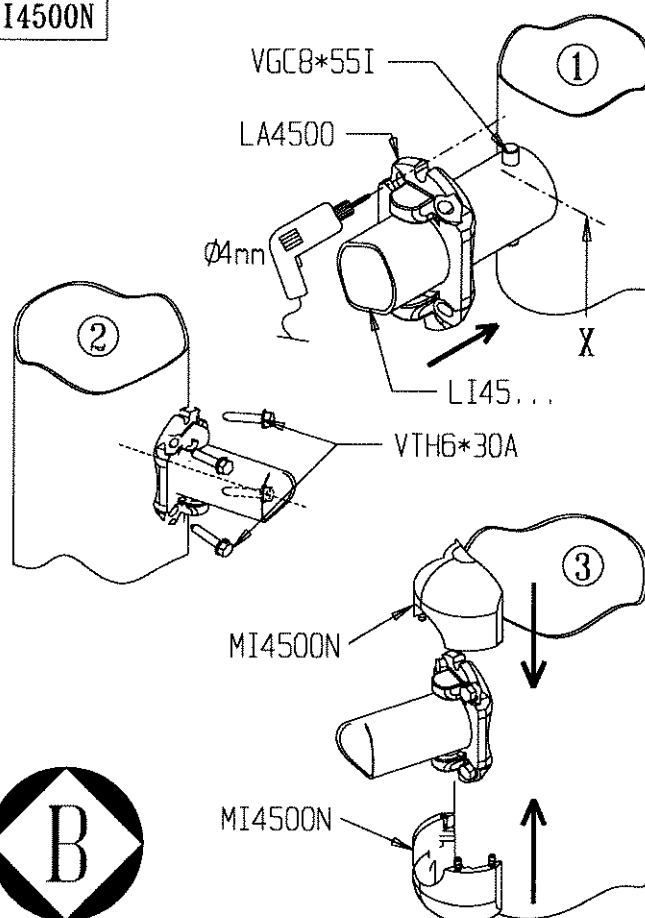
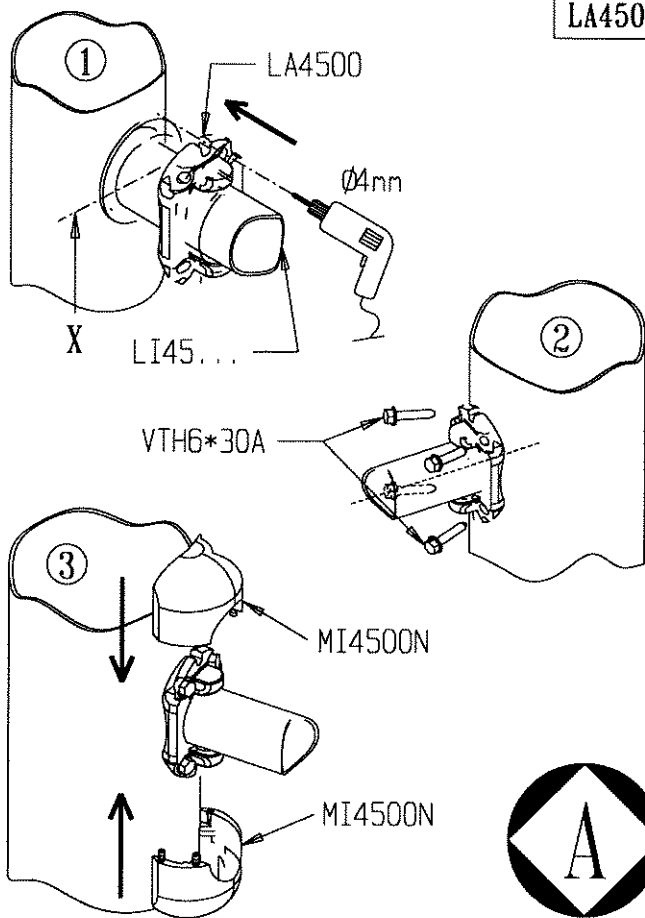
 > 1500 Kgs/M<sup>3</sup>

 < 1500 Kgs/M<sup>3</sup>

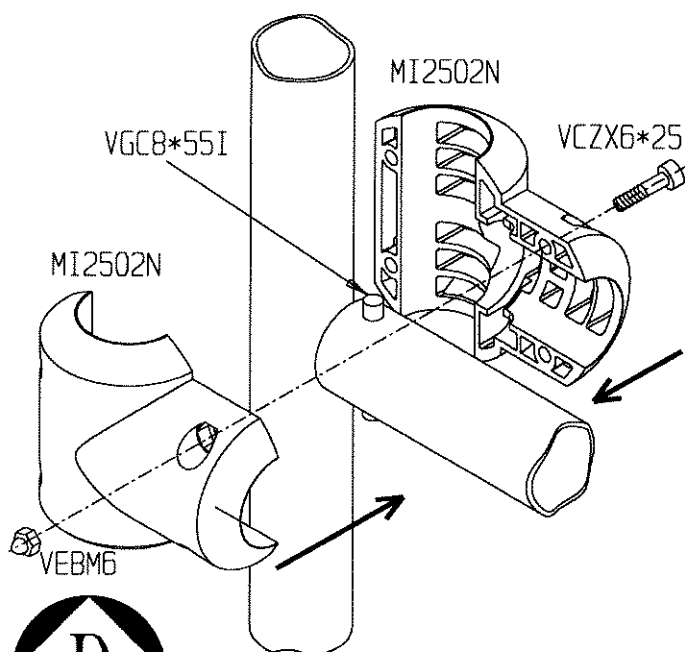
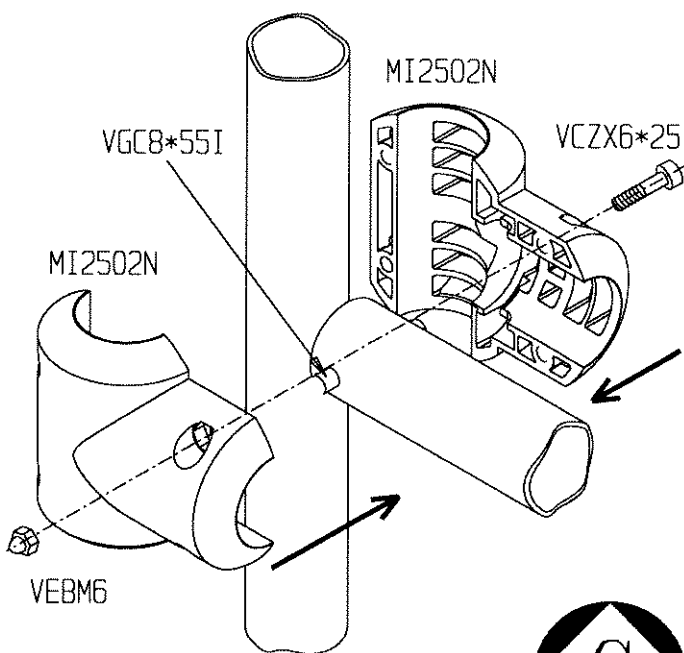


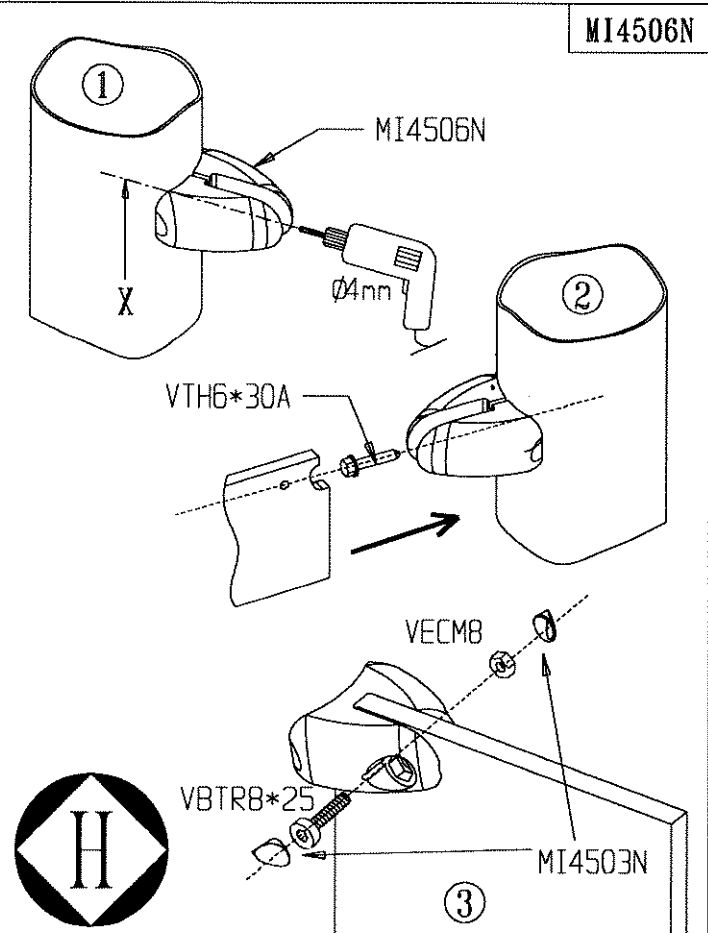
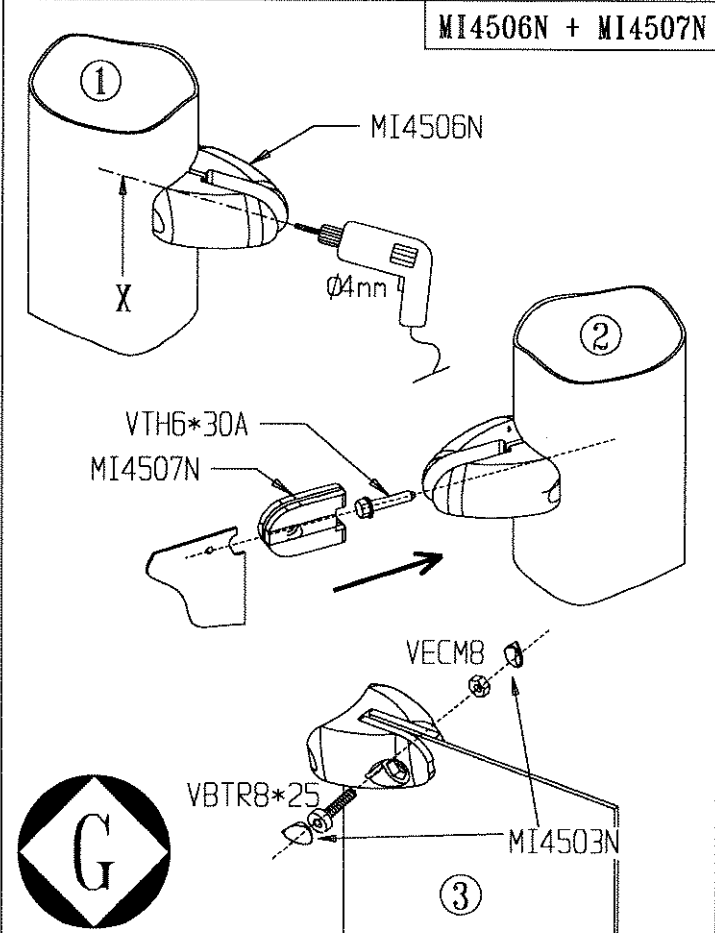
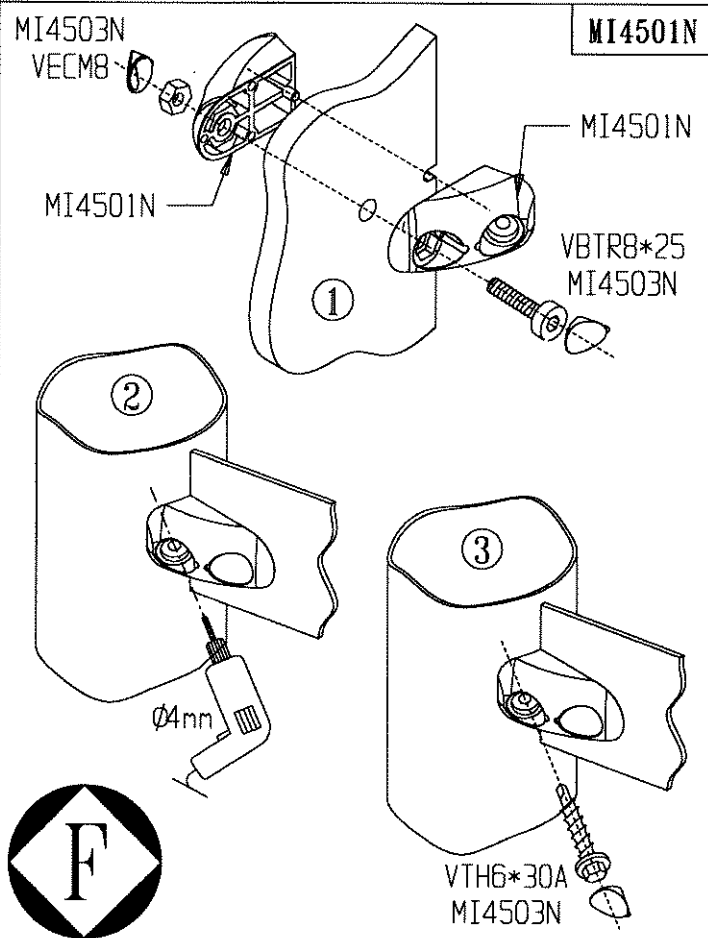
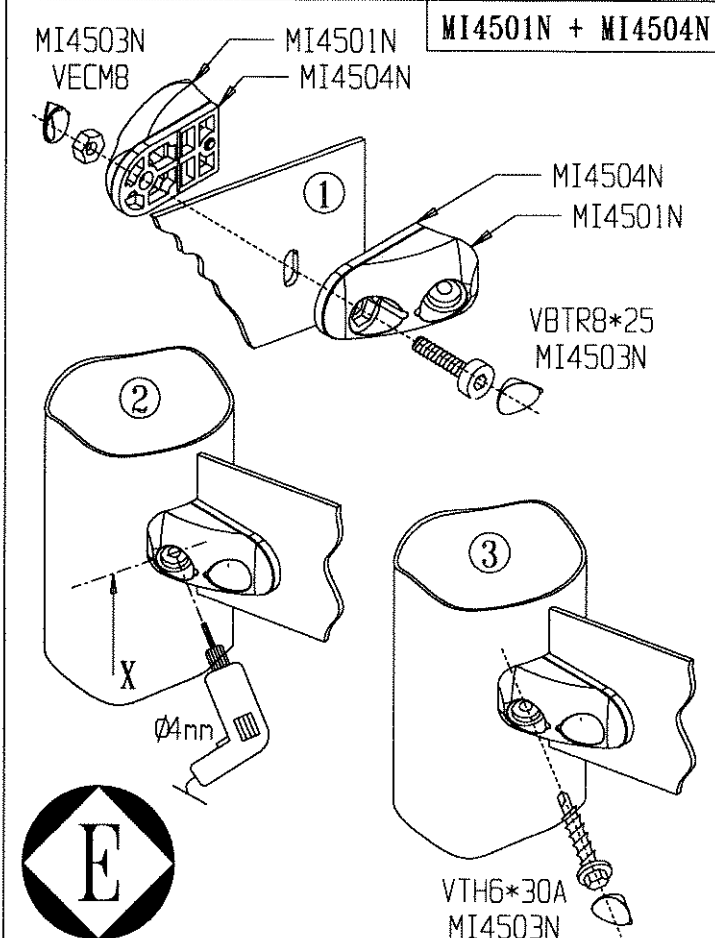


LA4500 + MI4500N

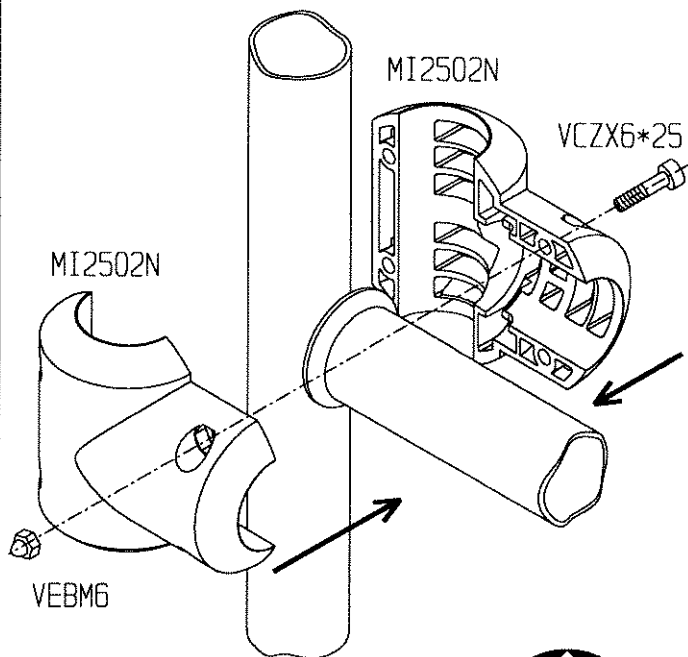


MI2502N + VGC8\*55I

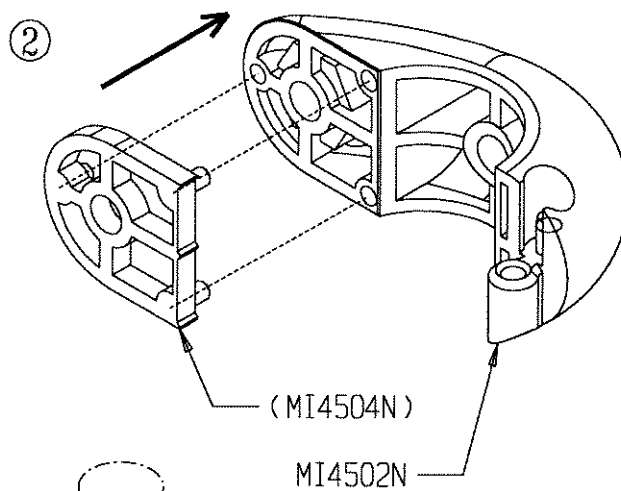
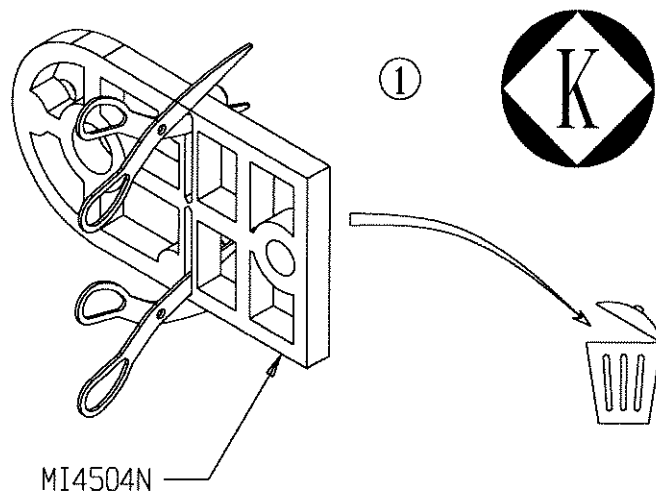




MI2502N

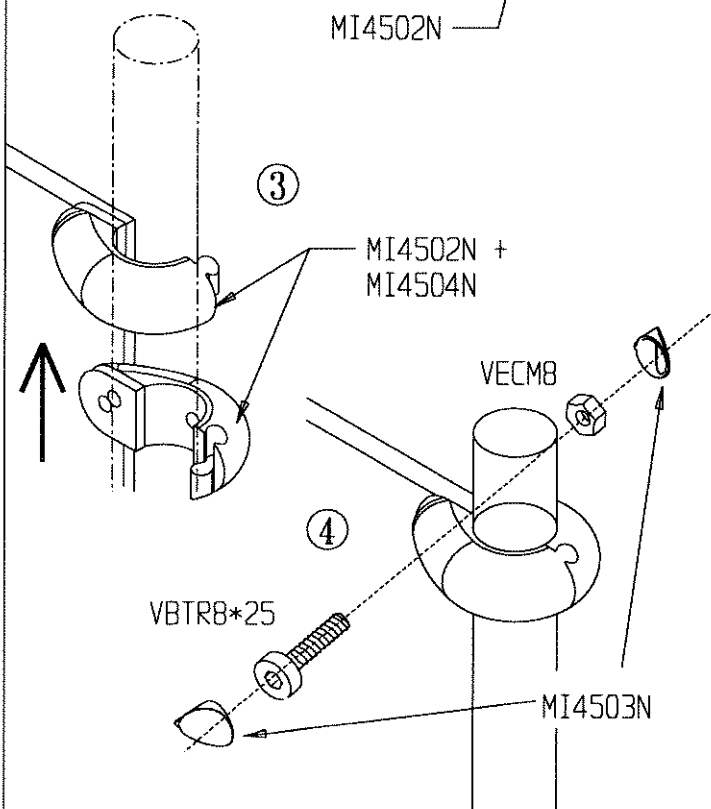
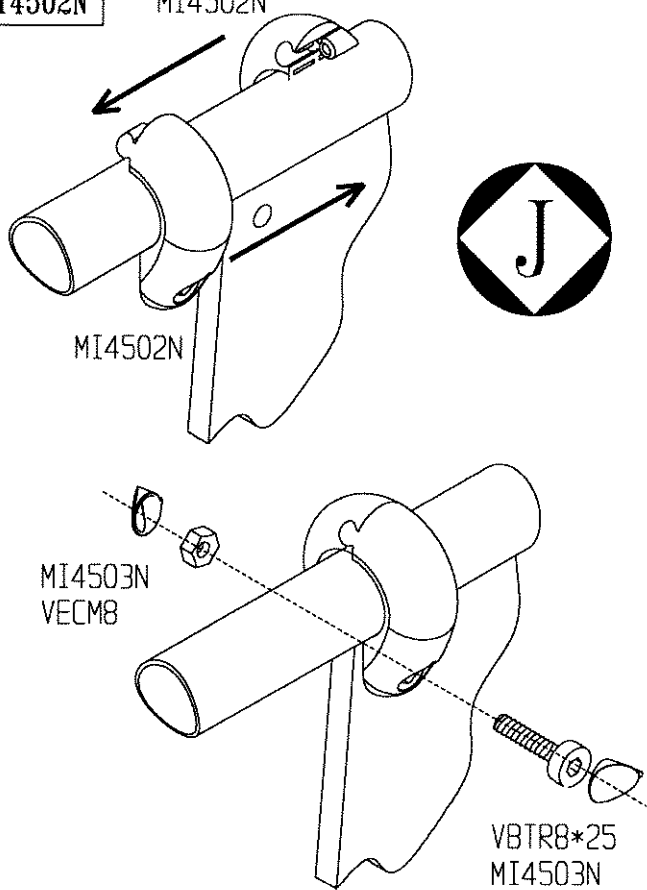


MI4502N + MI4504N

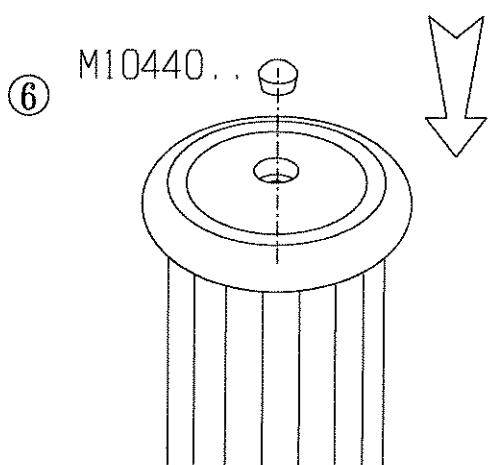
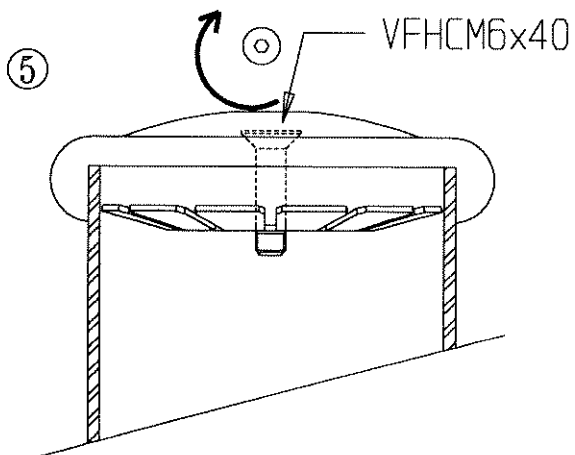
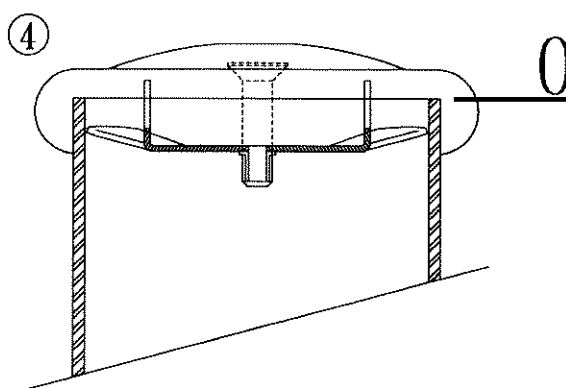
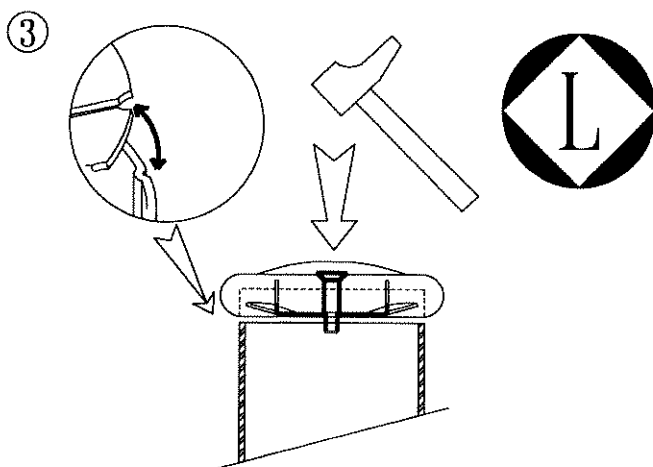
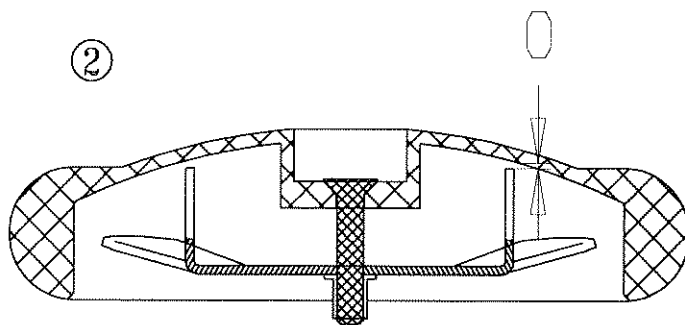
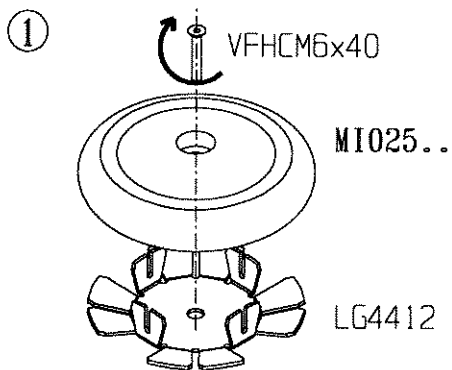


MI4502N

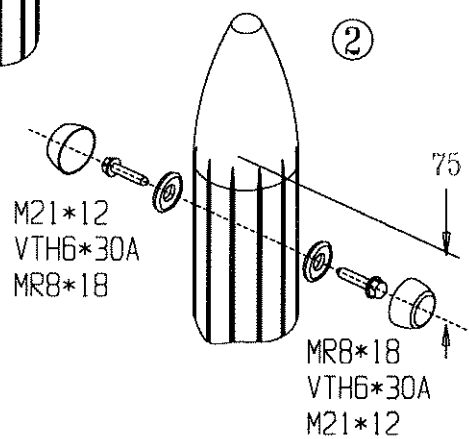
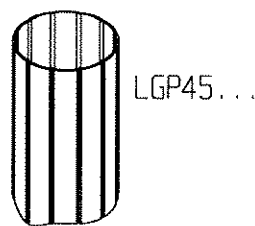
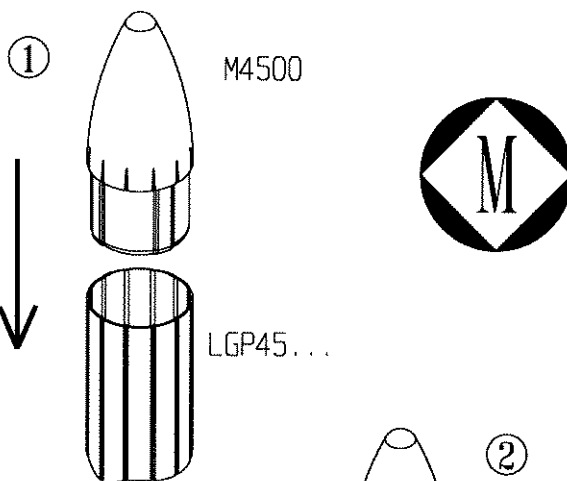
MI4502N

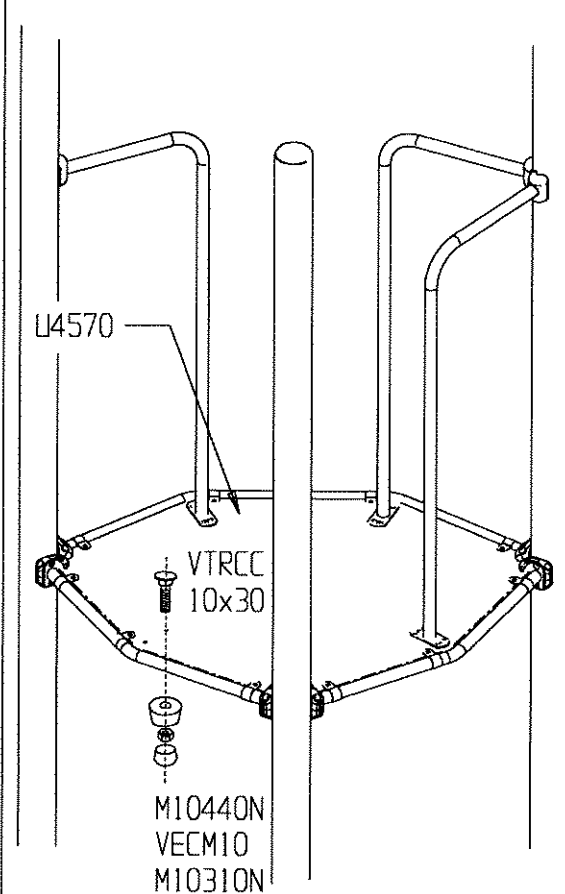


LG4412 + MI025..



M4500





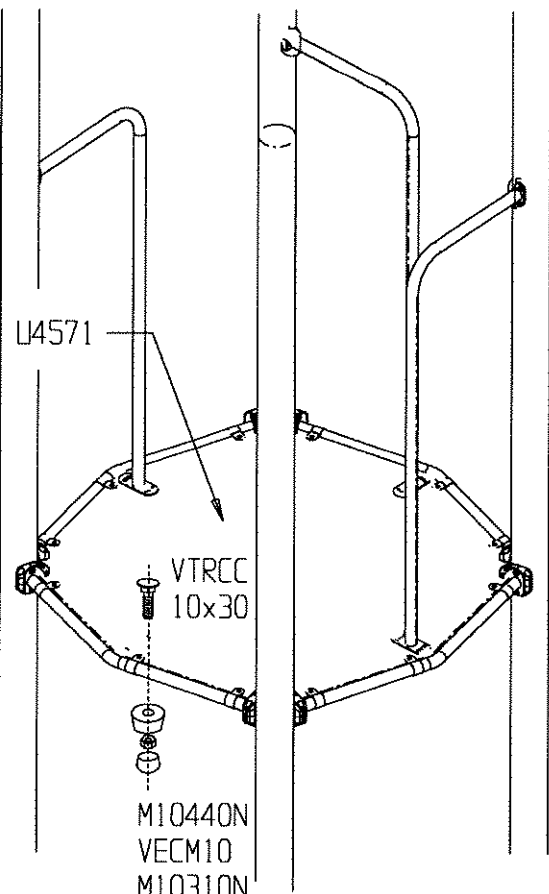
**!**

TROUS RESTES LIBRES :  
METTRE UNE VIS VTRCC10\*30.

OPEN HOLES : PUT A  
VTRCC10\*30 SCREW.

NICHT VERSTOPFTE LOCHER :  
EINE VTRCC10\*30 SCHRAUBE  
HINZUSTELLEN.

AGUJEROS A TAPAR: PONER  
UN TORNILLO VTRCC10\*30.

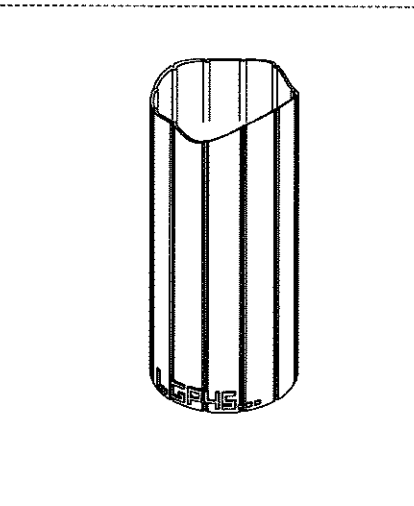
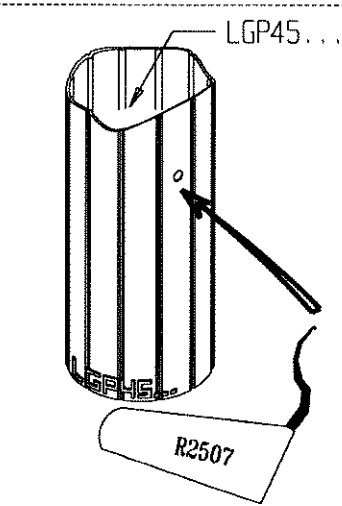
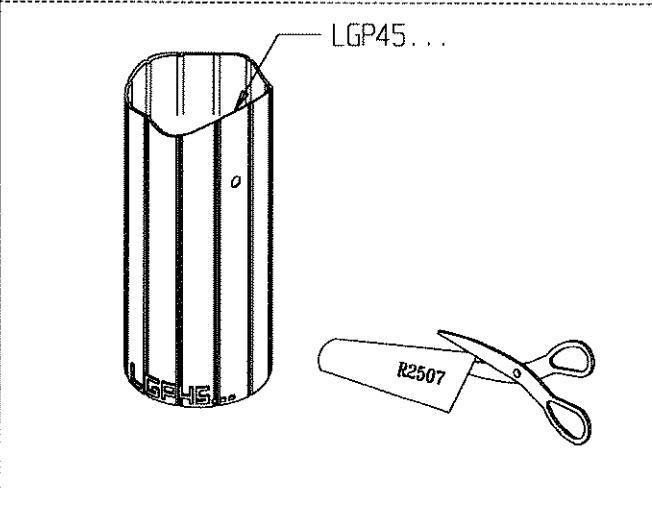
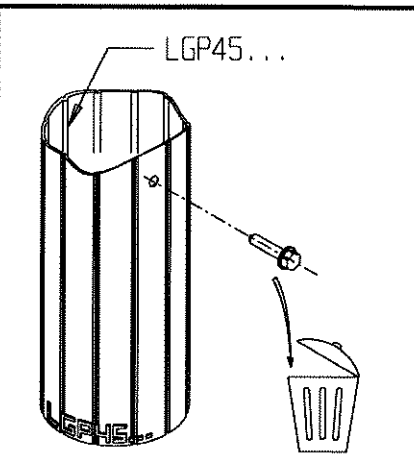
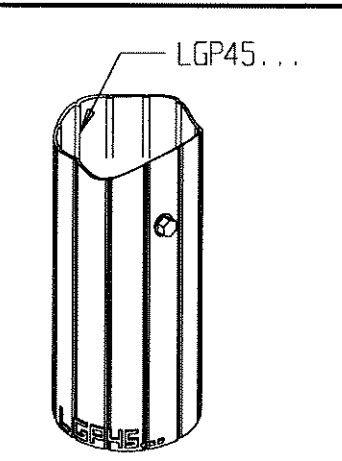


TROUS VIS A REBOUCHER : METTRE UNE  
GOUTTE DE COLLE FOURNIE.

OPEN HOLES : TO BE FILLED IN WITH A  
DROP OF THE SUPPLIED GLUE.

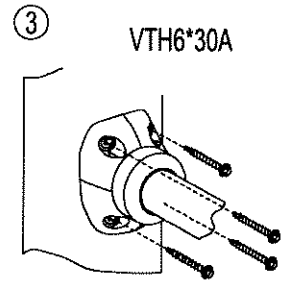
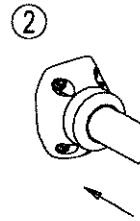
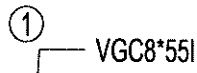
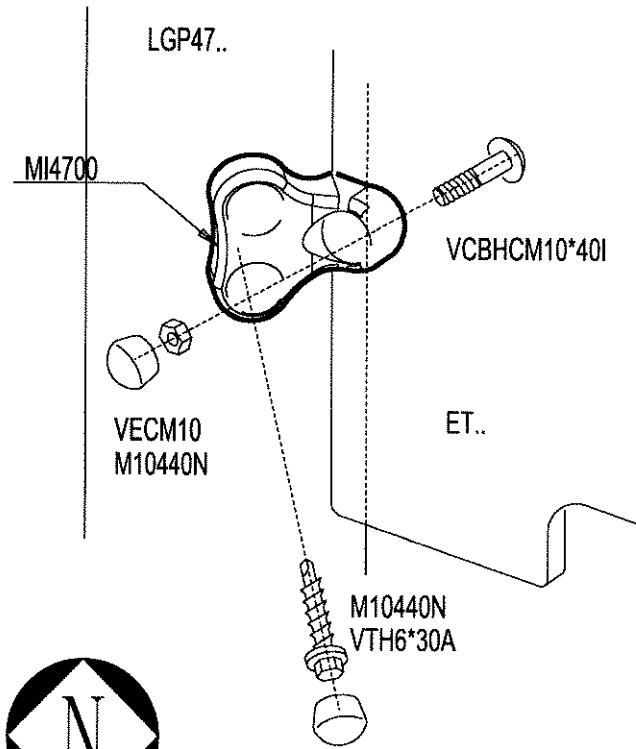
SCHRAUBENLOECHER : MIT EINEM TROPFEN  
DES GELIEFERTEN KLEBSTOFFES  
VERSTOPFEN.

AGUJEROS A TAPAR : PONER UNA GOTTA  
DE LA COLA PROVECHA.

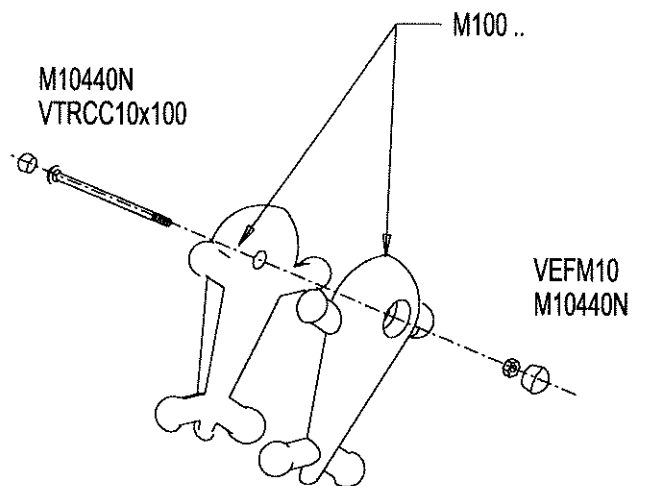
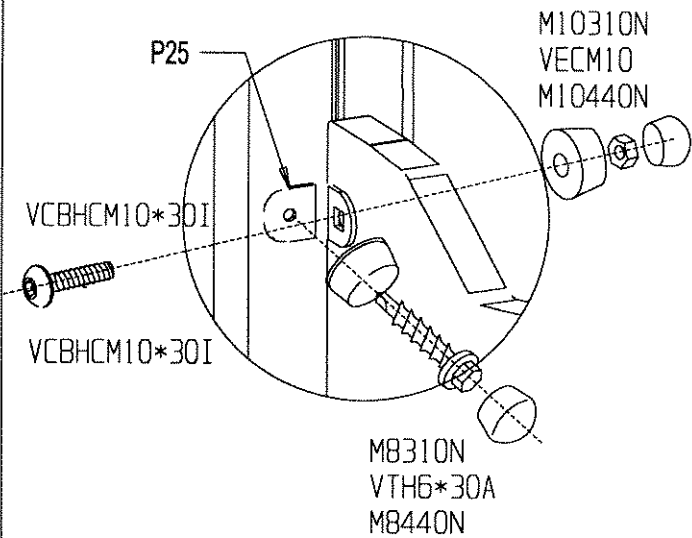


MI4700

MI3701N

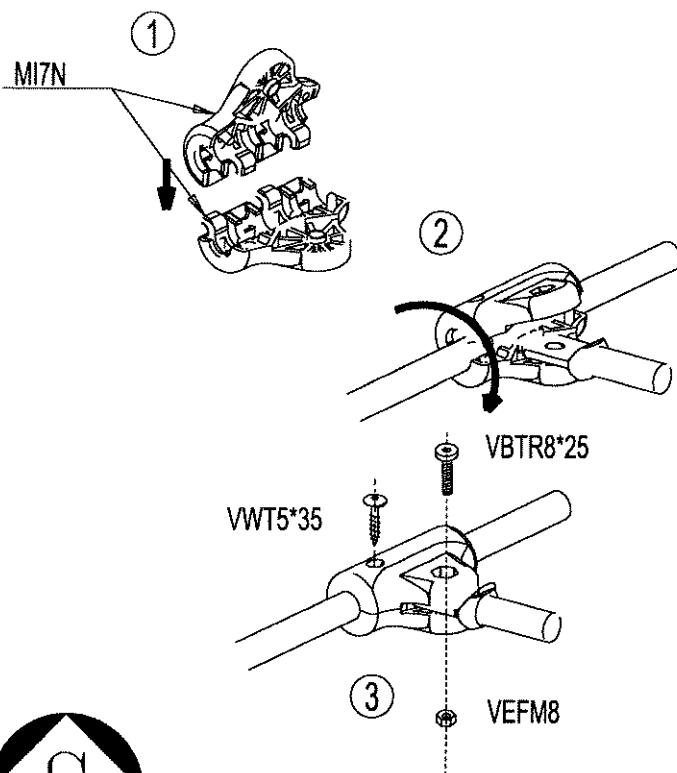
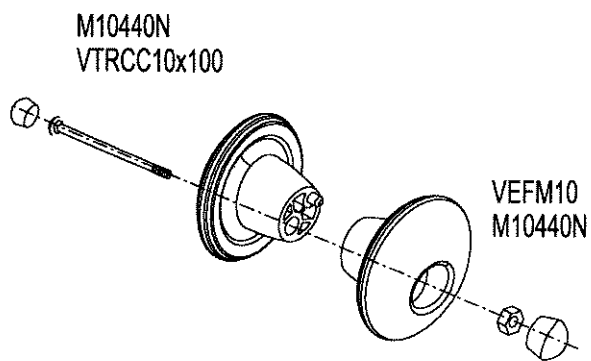


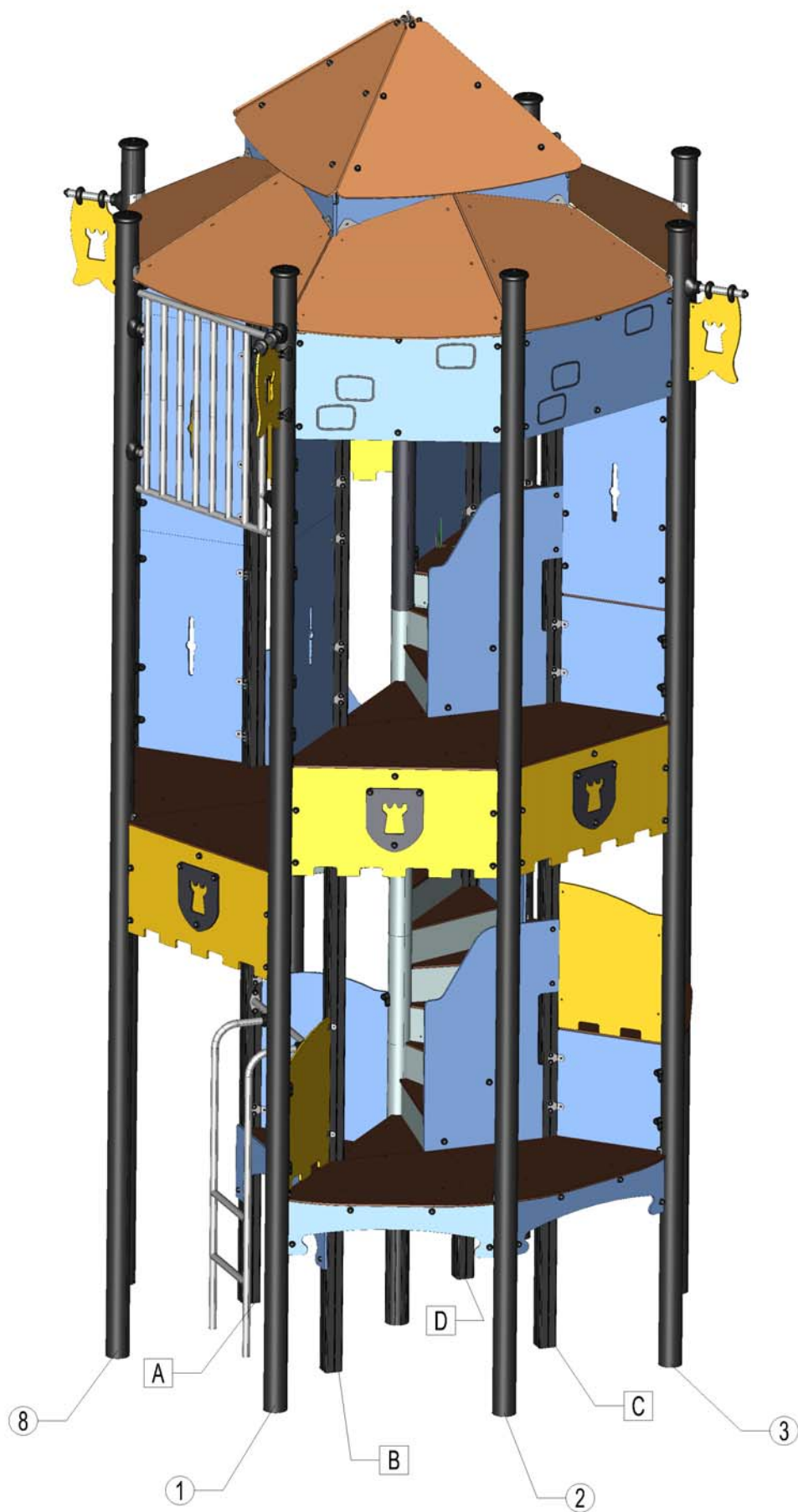
M100..



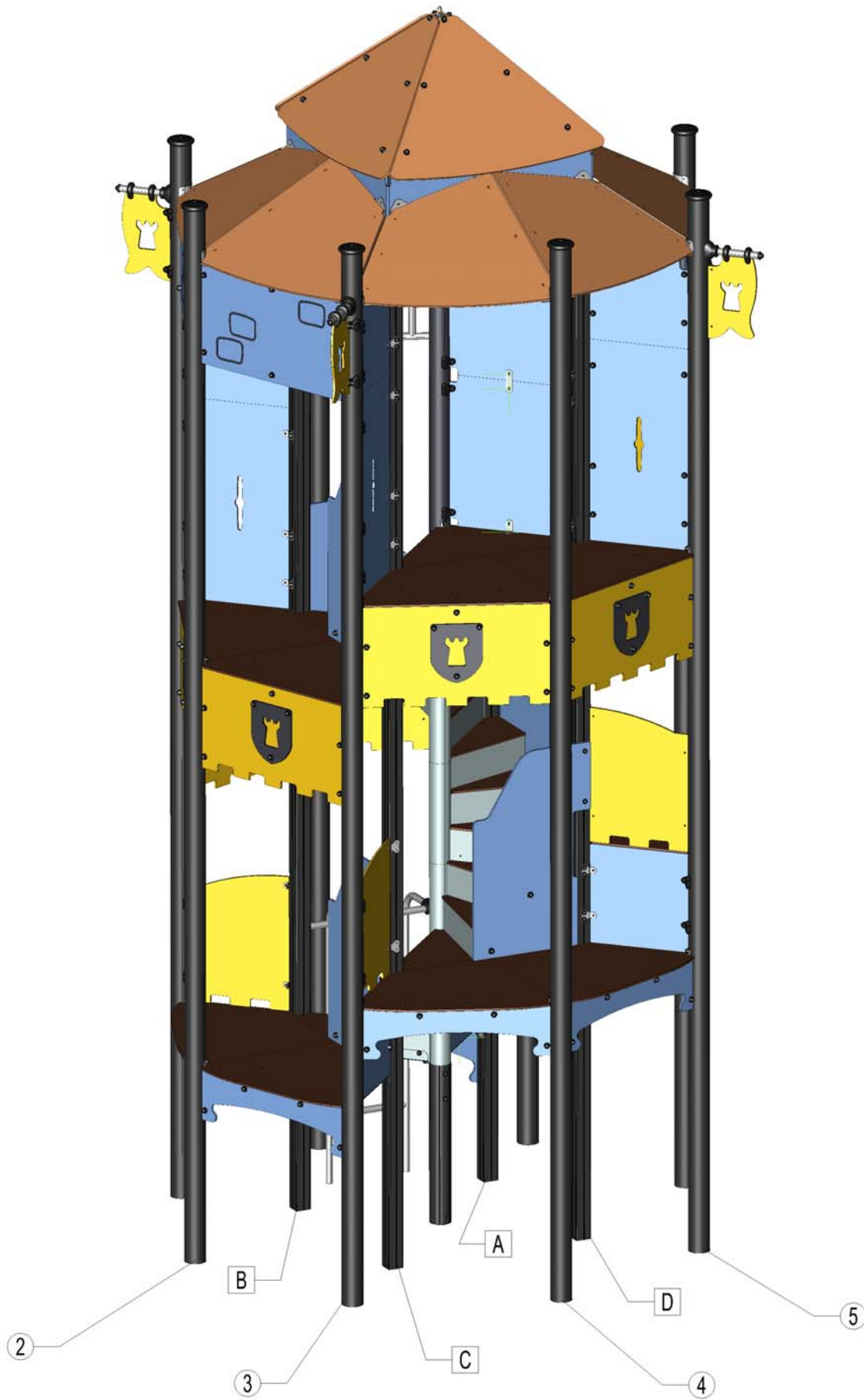
MI4700

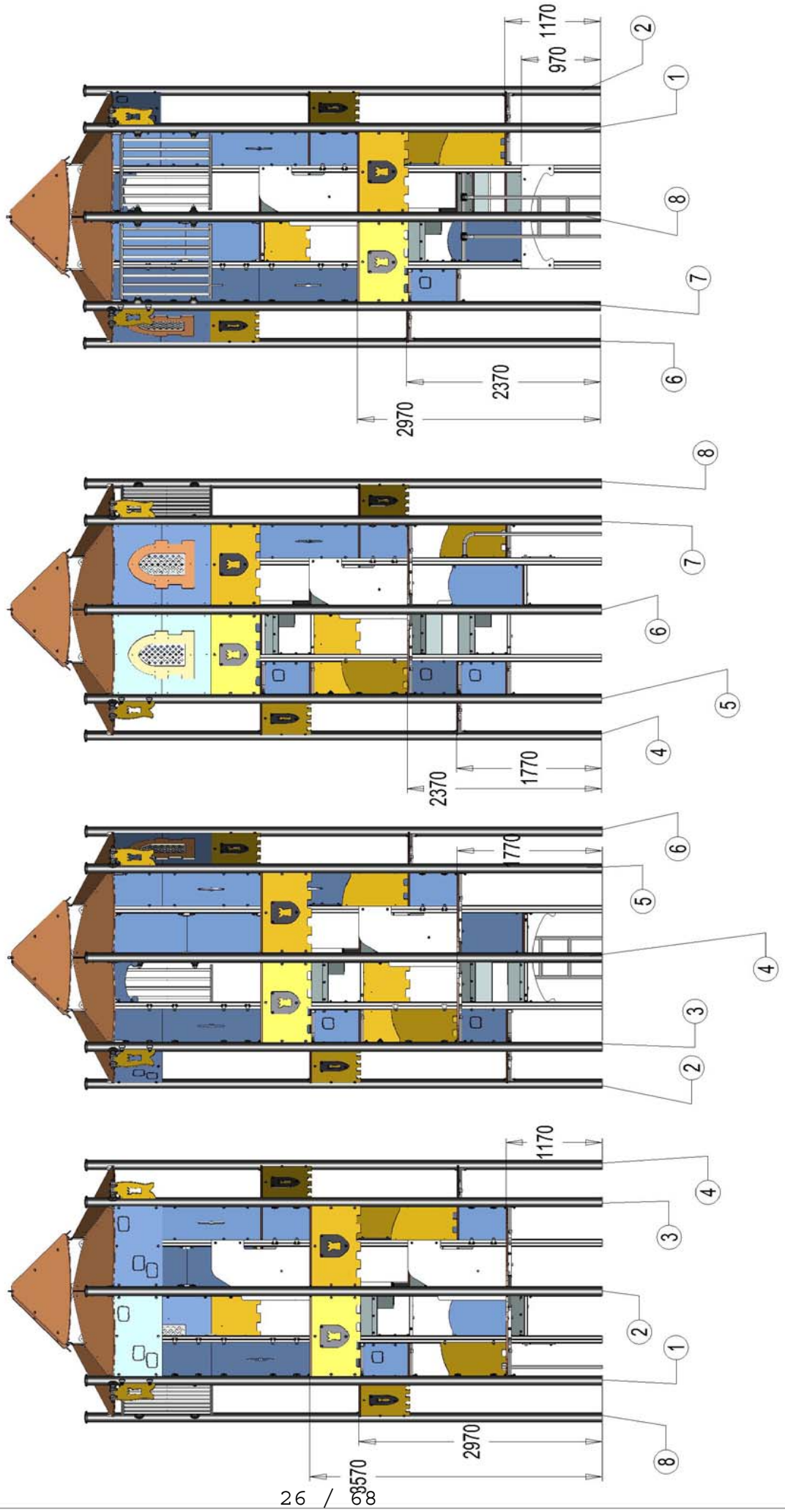
MI3701N





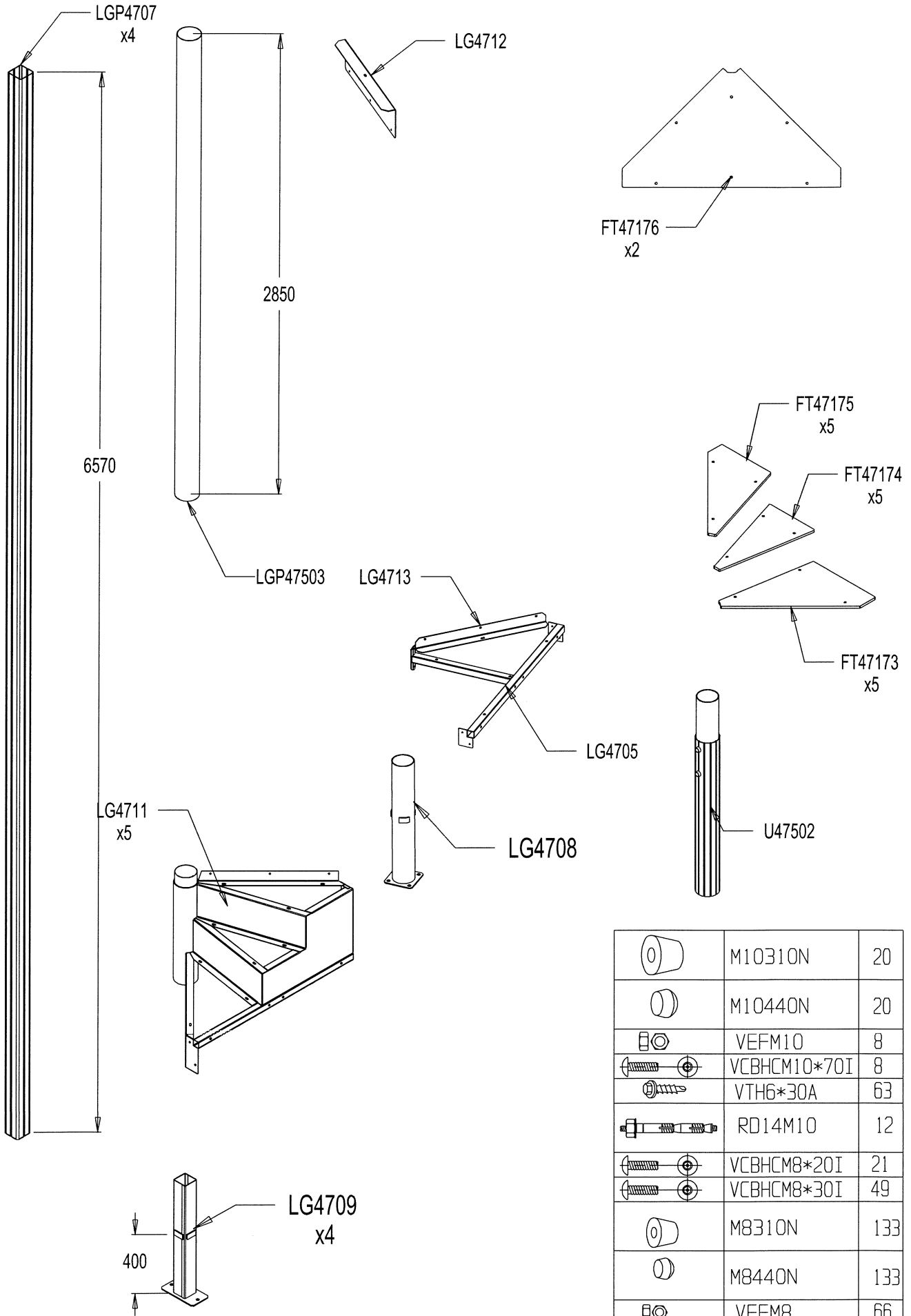




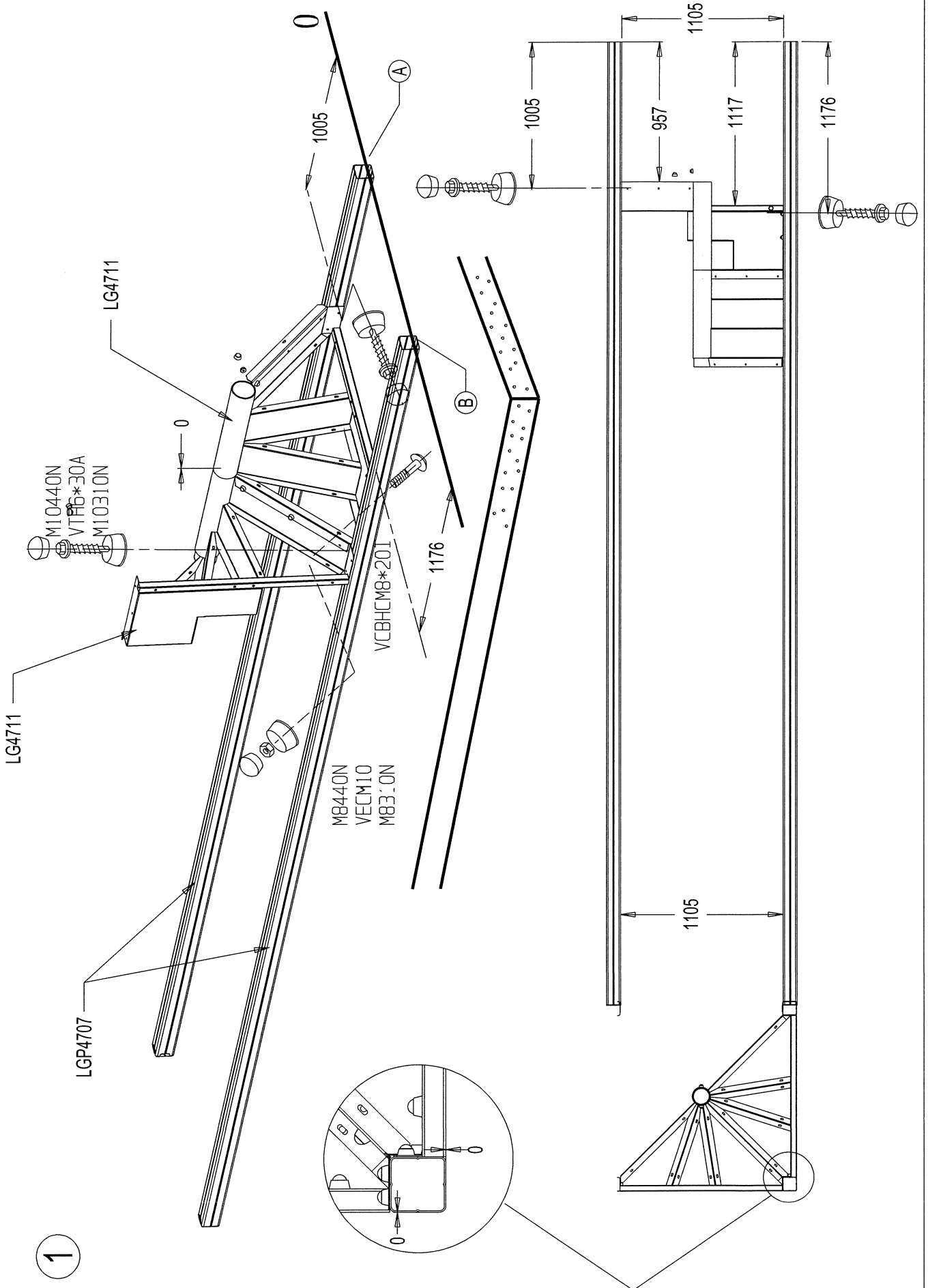


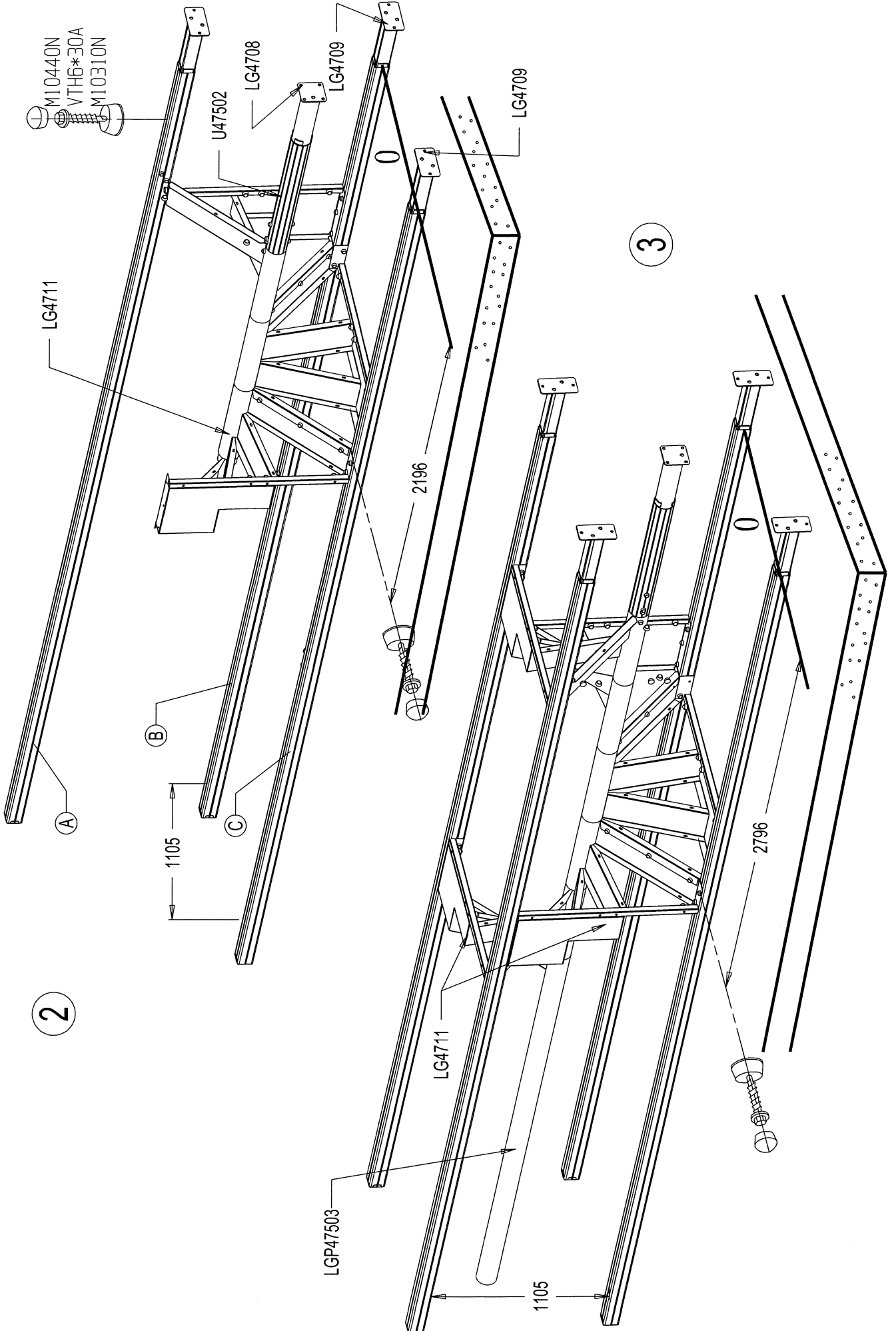
# Escalier 5 Modules

18/08/2014 *ProLudic*

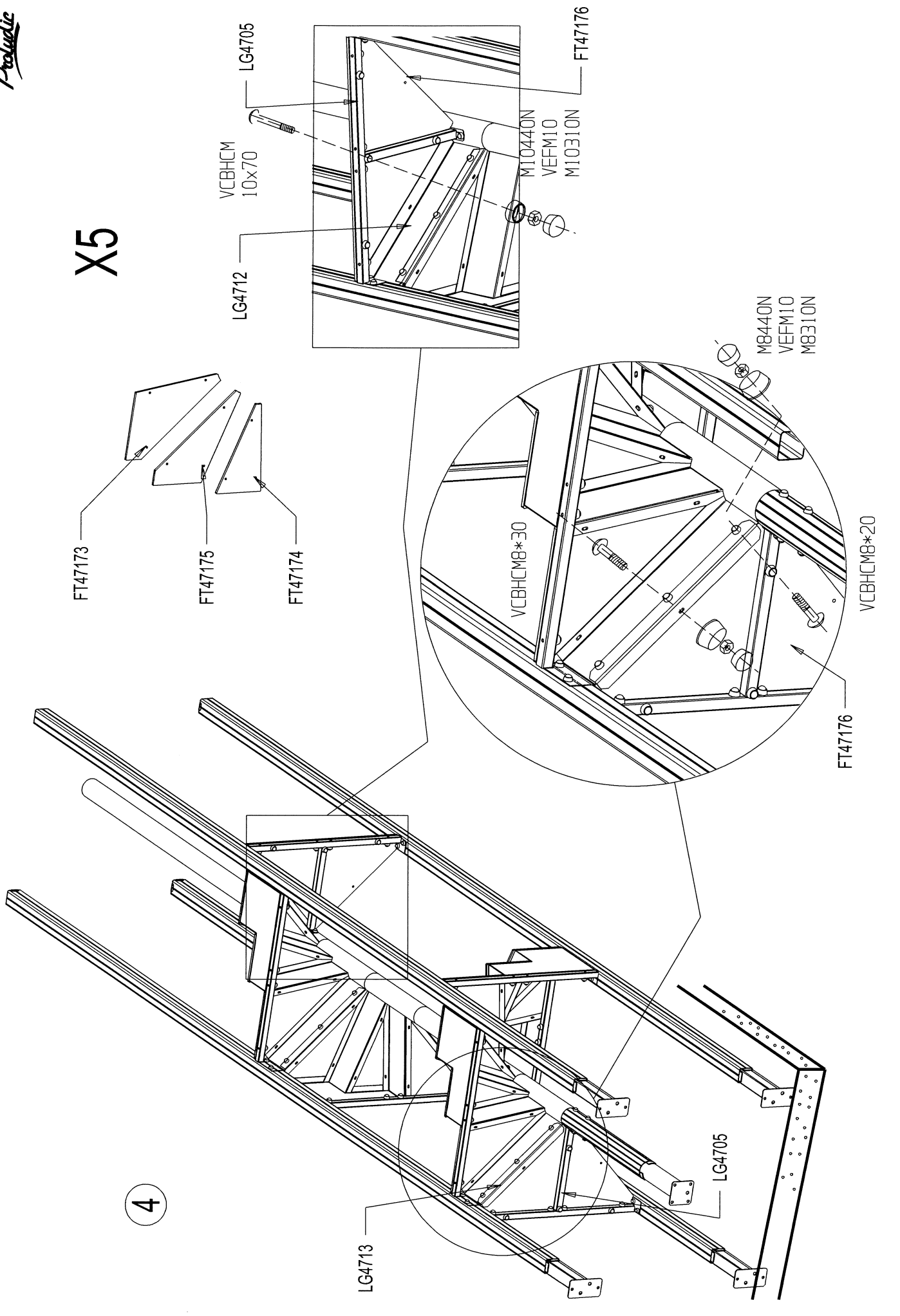


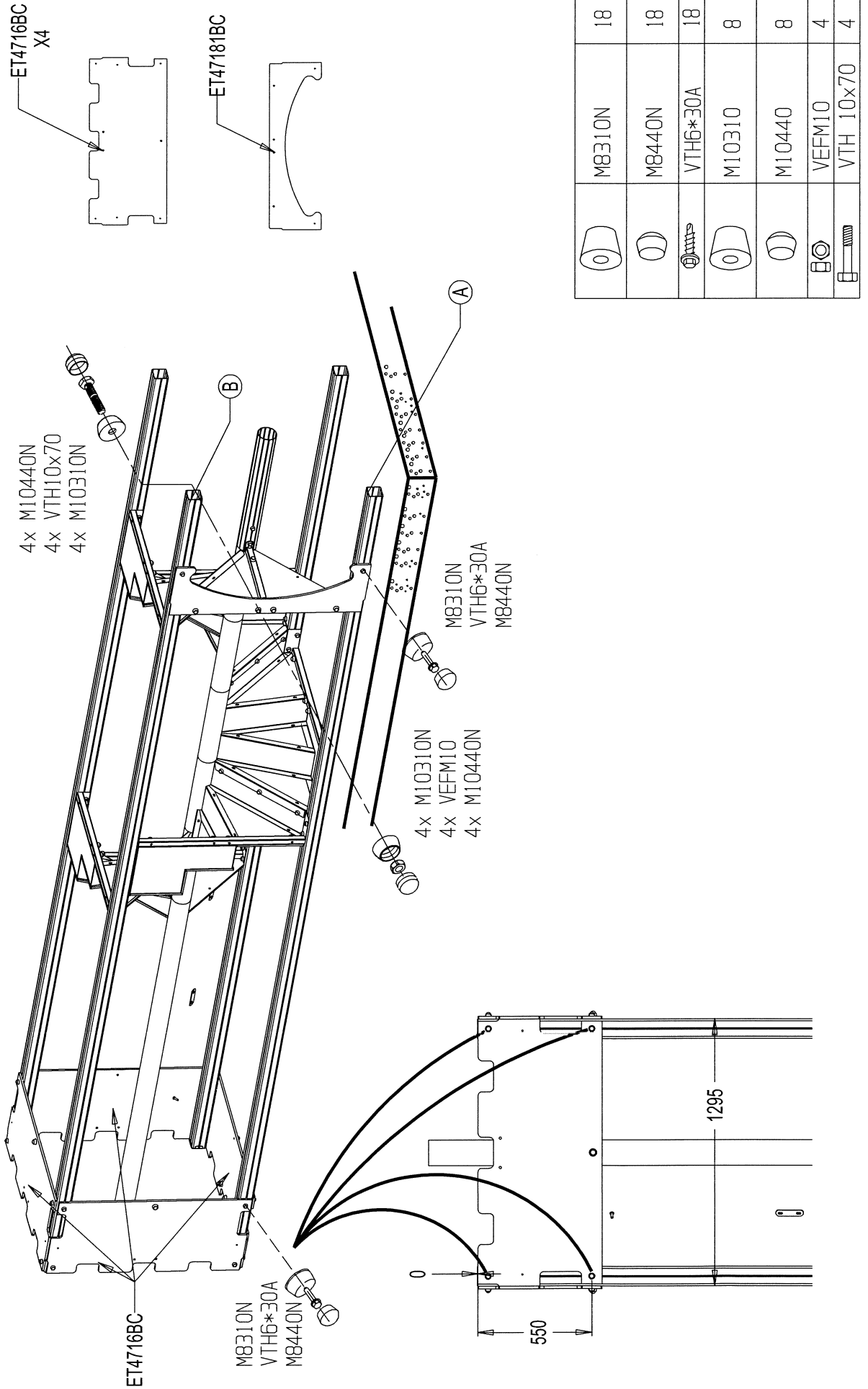
	M10310N	20
	M10440N	20
	VEFM10	8
	VCBHCM10*70I	8
	VTH6*30A	63
	RD14M10	12
	VCBHCM8*20I	21
	VCBHCM8*30I	49
	M8310N	133
	M8440N	133
	VEFM8	66

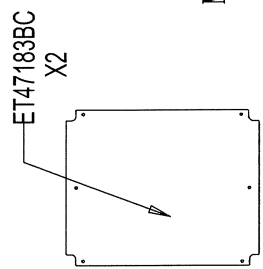
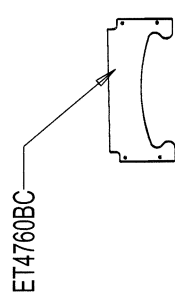
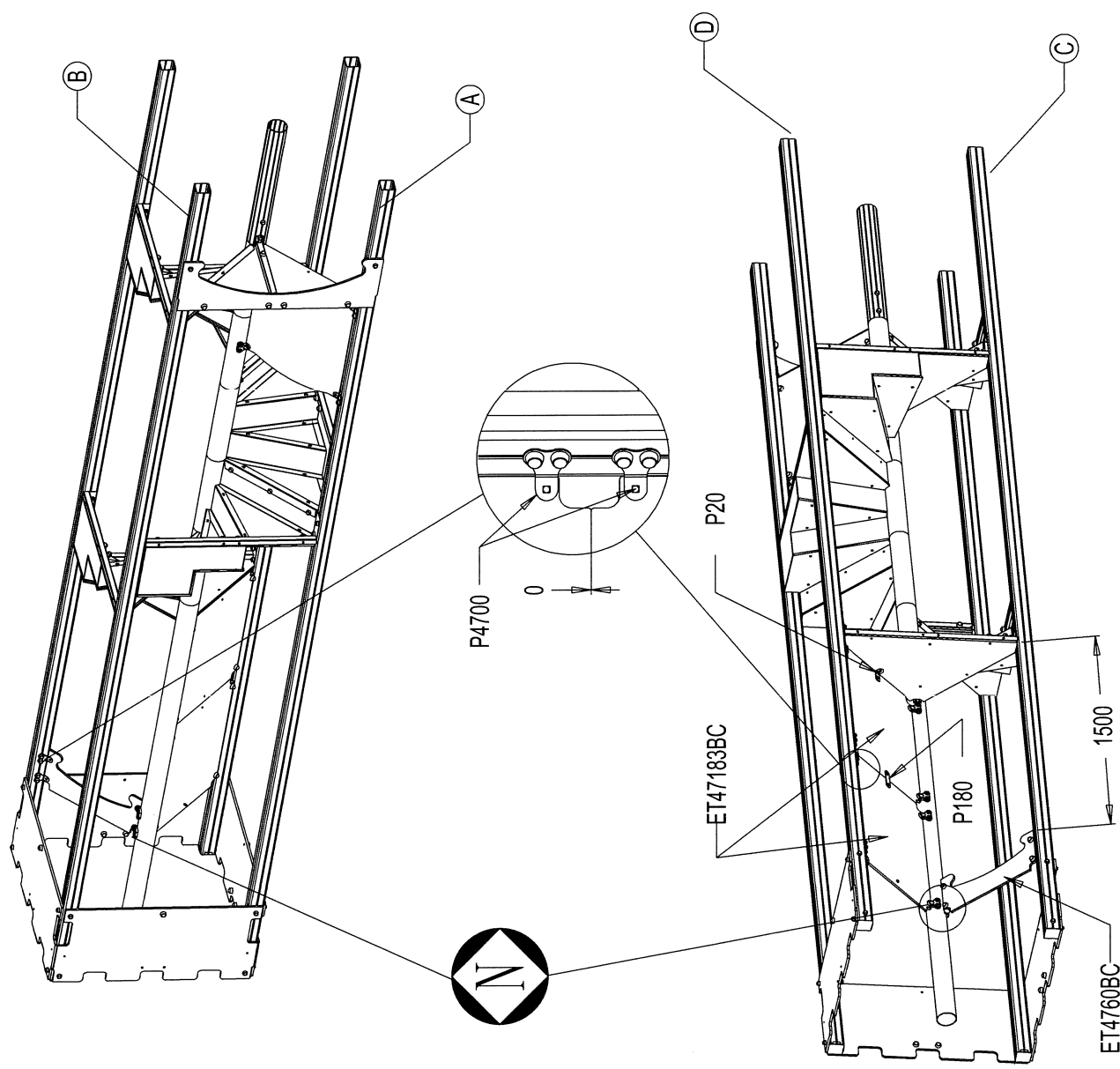




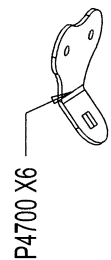
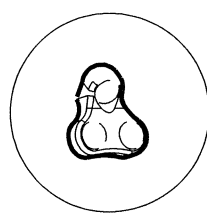
X5





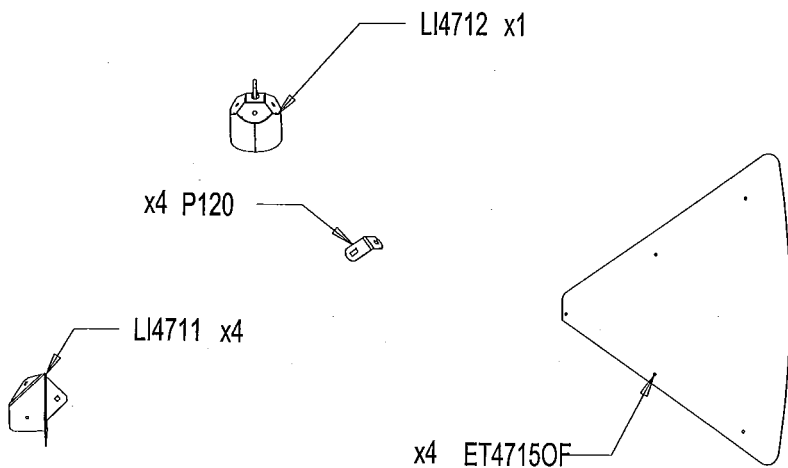
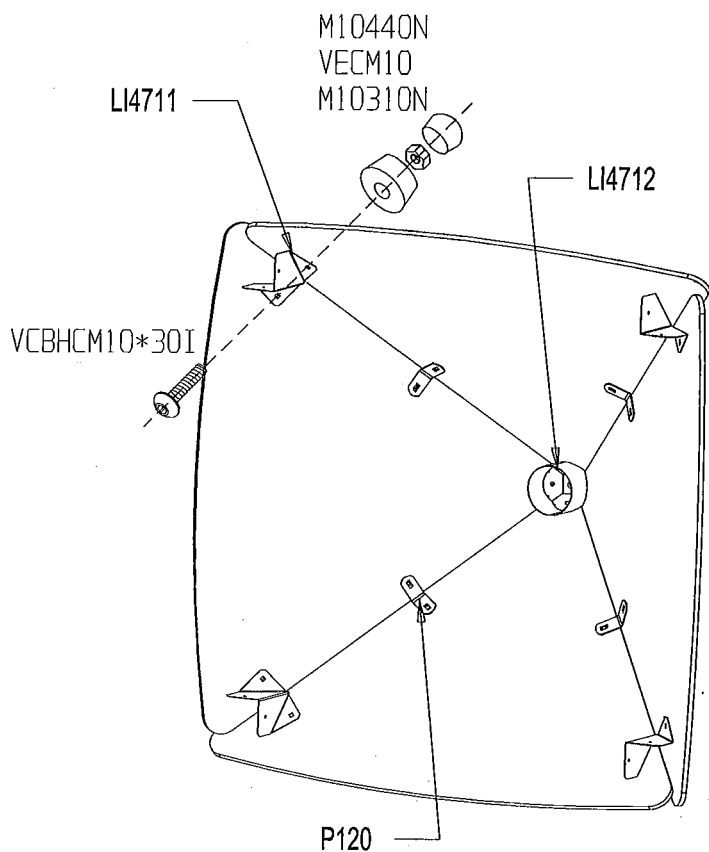
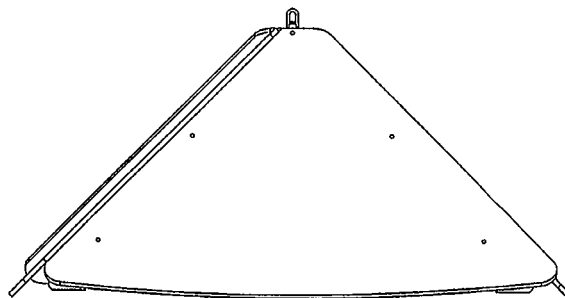


MI4700 X 6

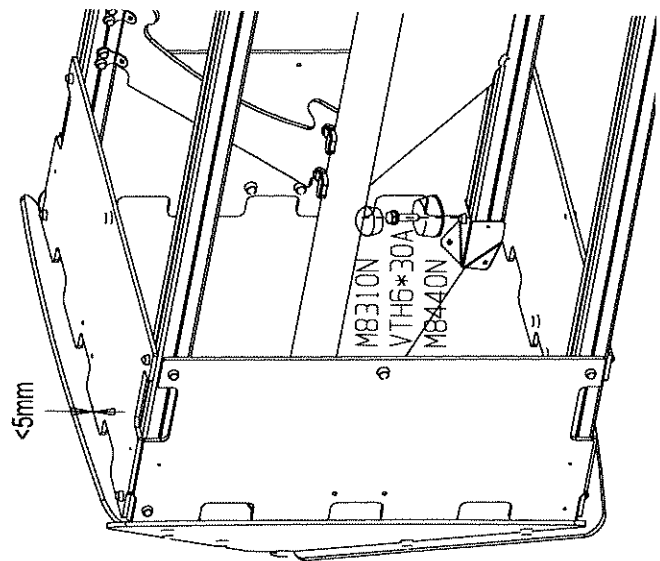
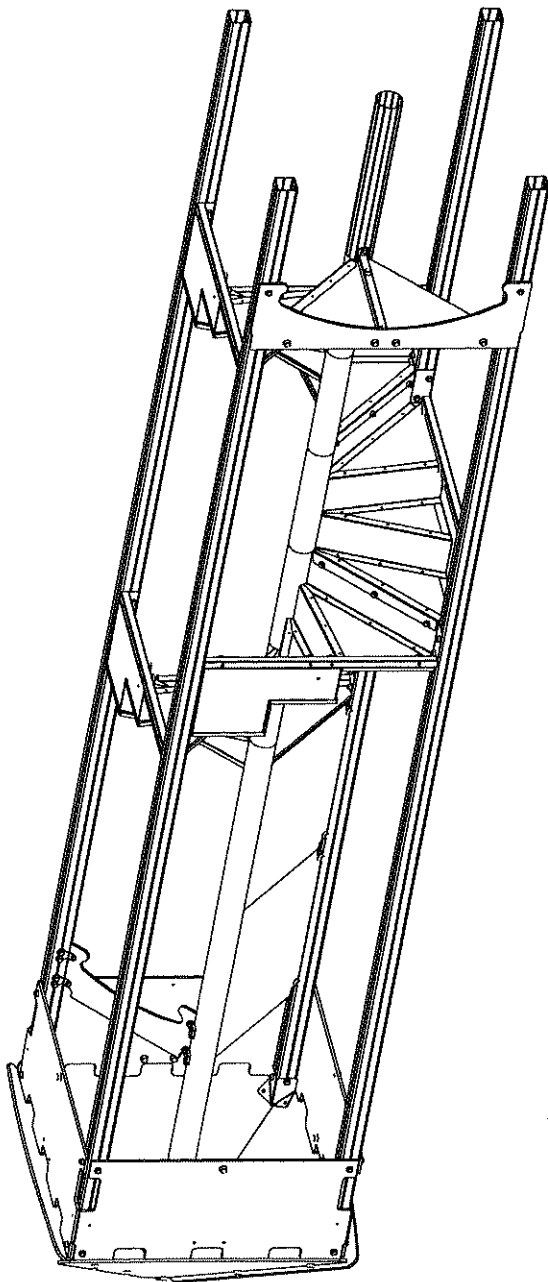





	VCBHC10*30I	19
	M10310N	13
	M10440N	31
	VEFM10	19
	M8310N	12
	M8440N	12
	VTH6*30A	24
	P180	1
	P20	2

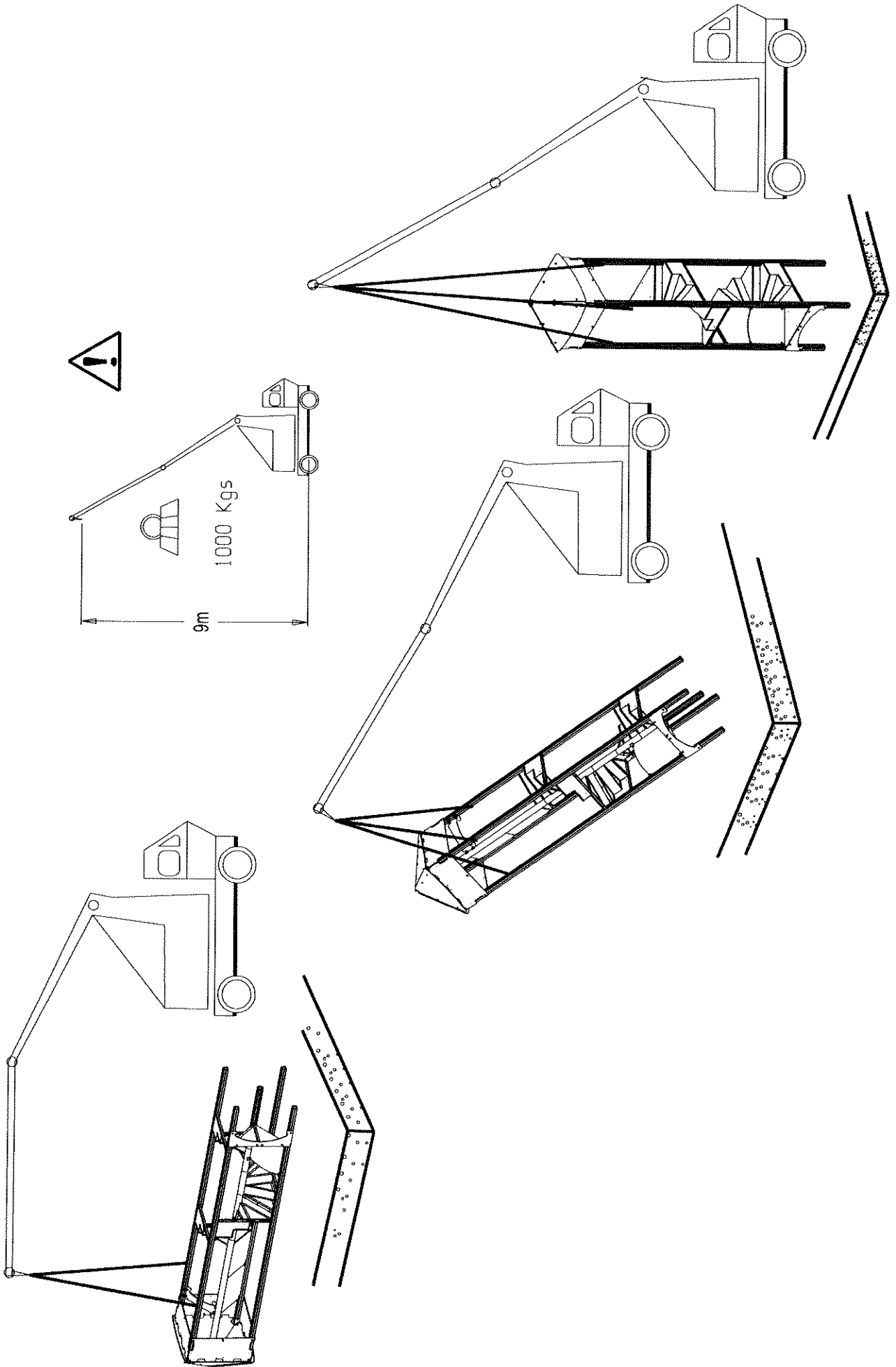


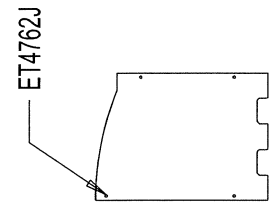
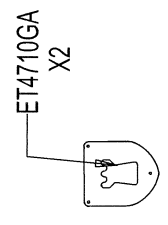
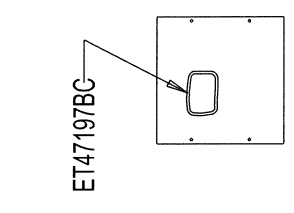
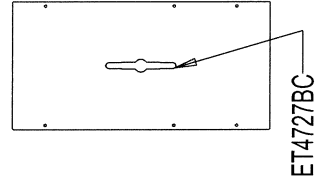
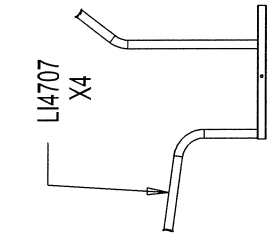
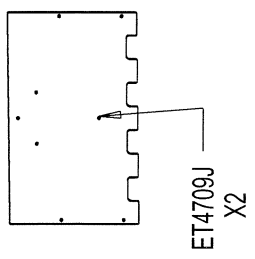
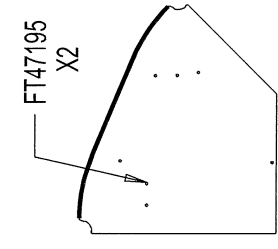
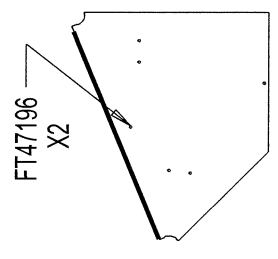
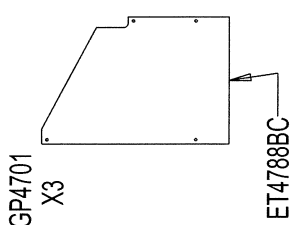
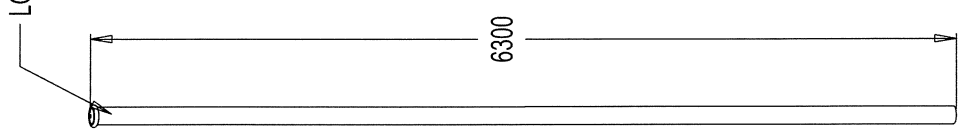
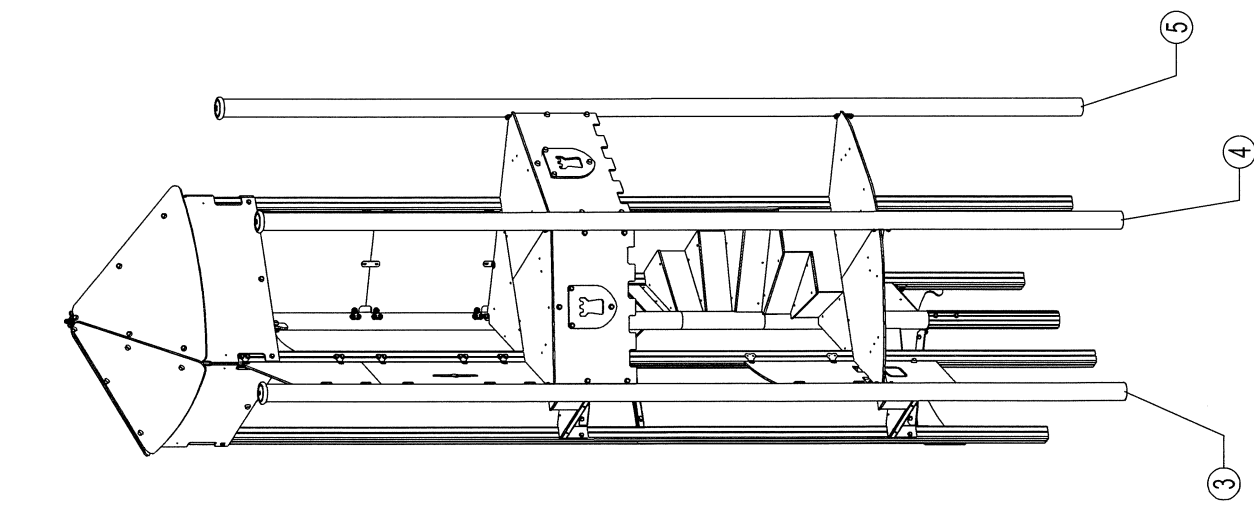


	VCBHCM10*30I	20
	M10310N	20
	M10440N	20
	VECM10	20

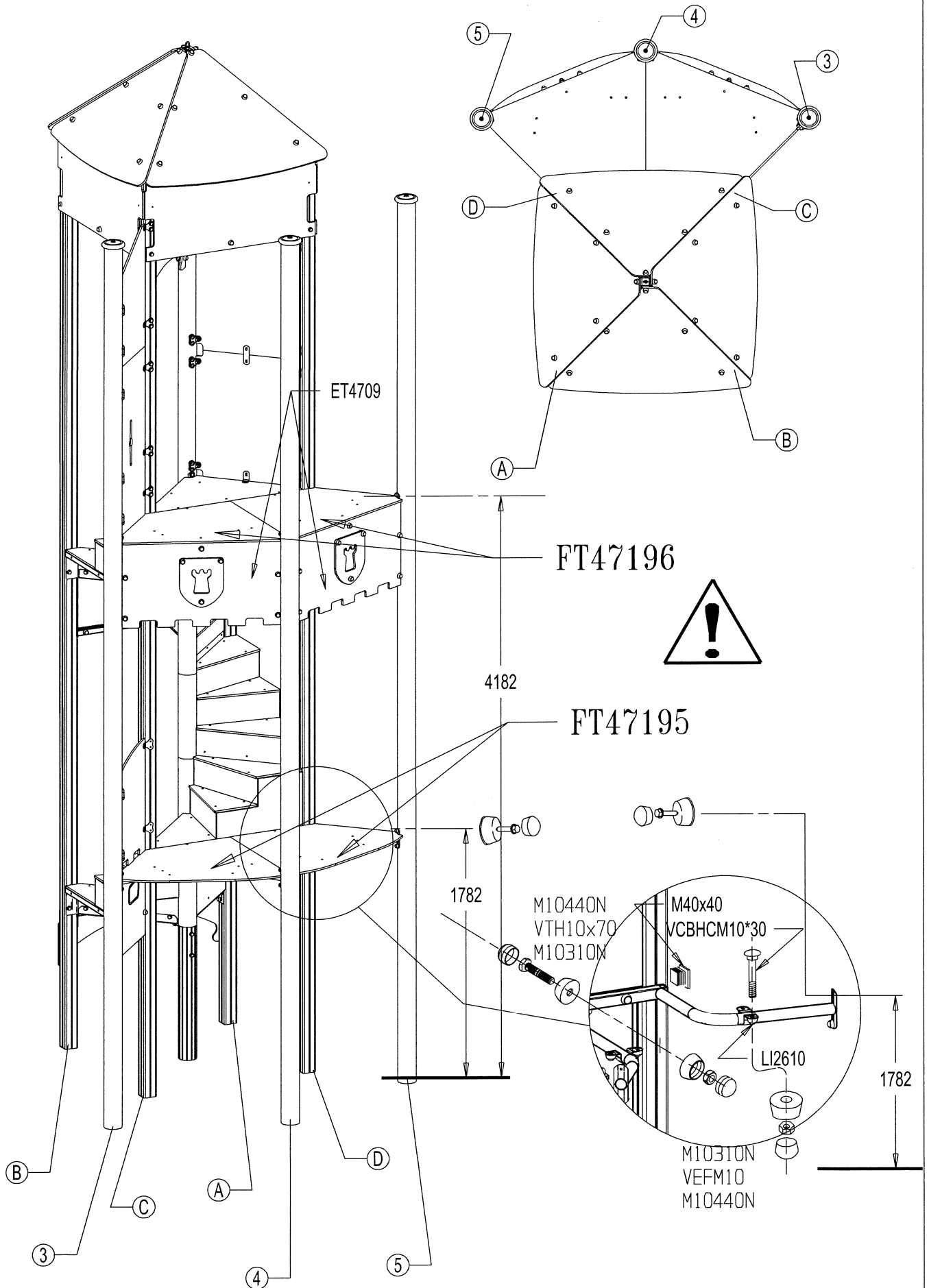


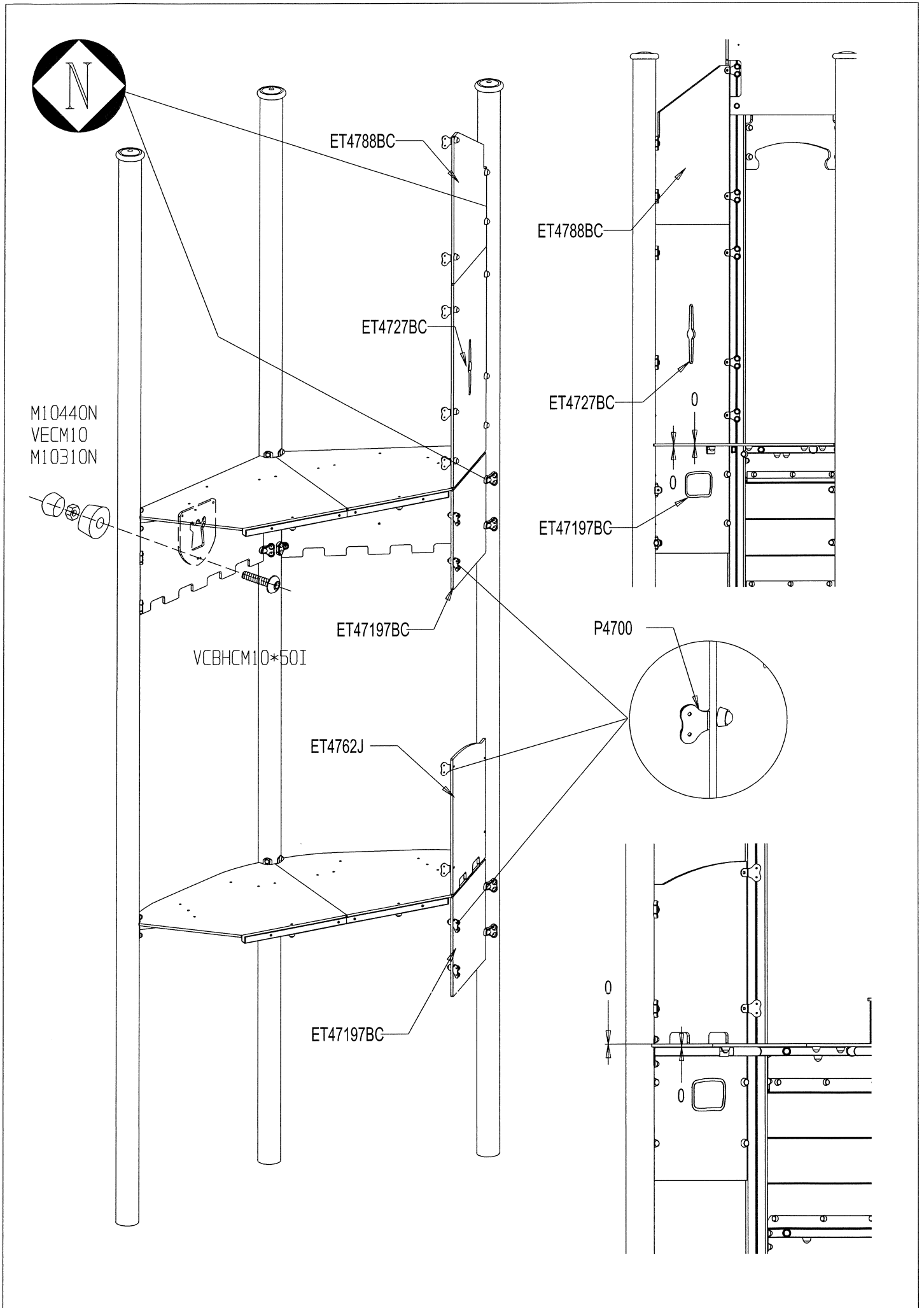
	M8310N	8
	M8440N	8
	VTH6*30A	8

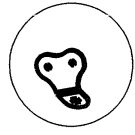
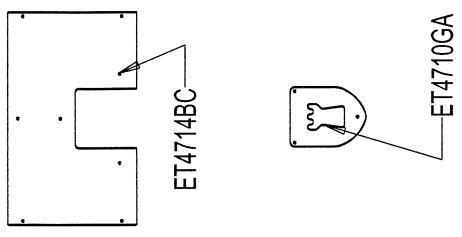
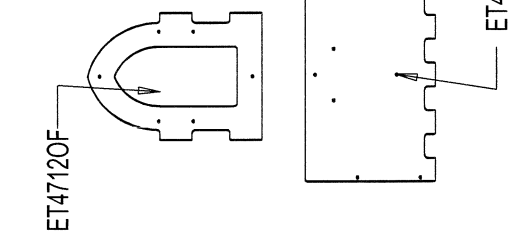
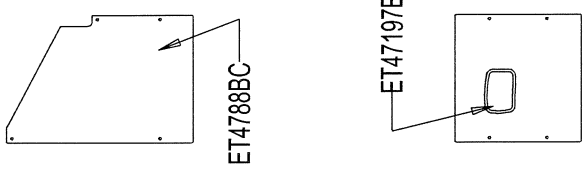
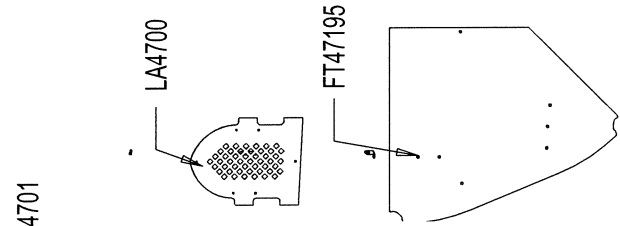
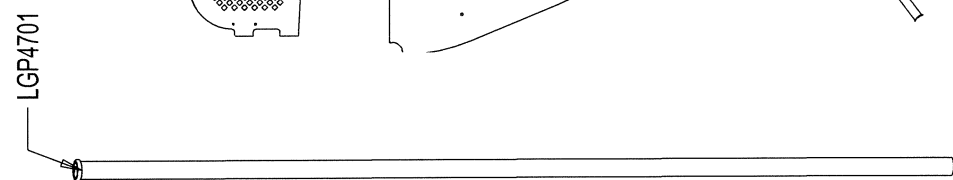
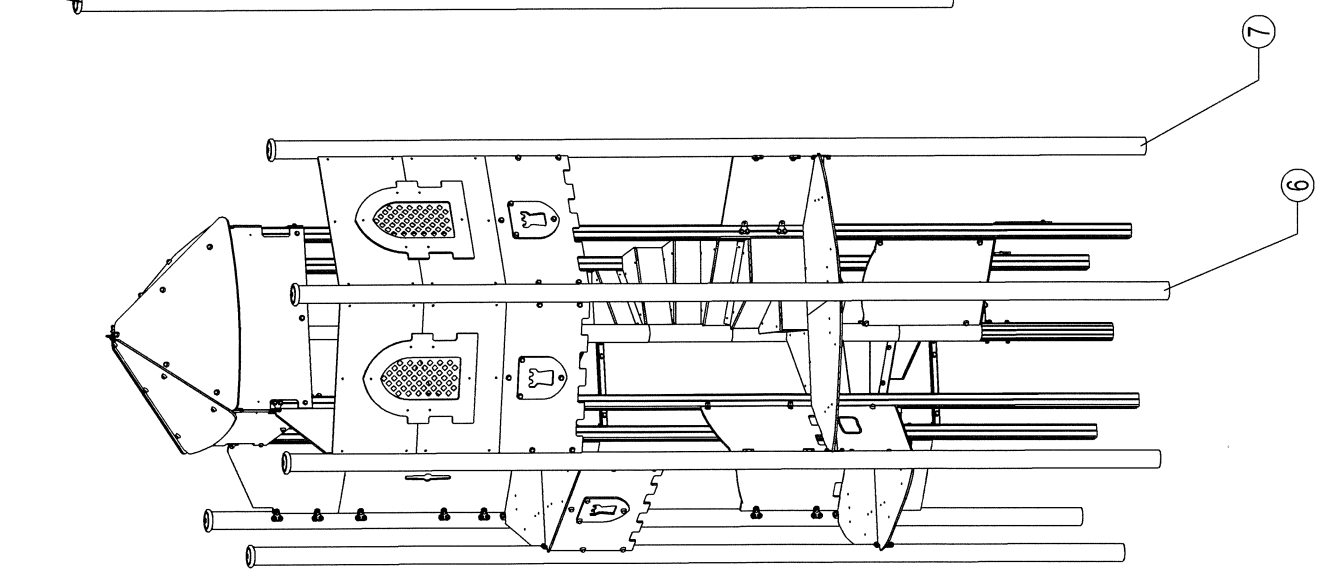




	VCBHC10*40I	6
	M40x40	4
	M8310N	34
	M8440N	34
	VTH6*30A	68
	VCBHC10*30I	44
	VTH 10x70	8
	M10310N	45
	M10440N	96
	VEFM10	56
	VCBHC10*70I	4



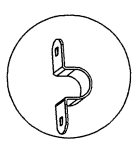




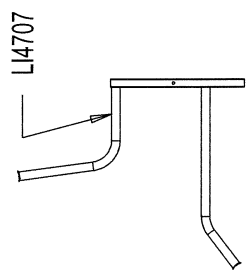
P4700 x11



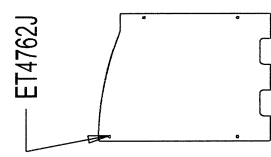
M14700 x35



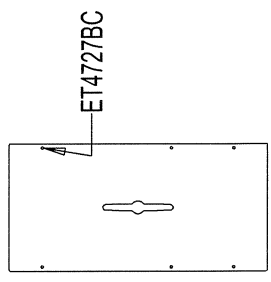
L12610x4



L14707

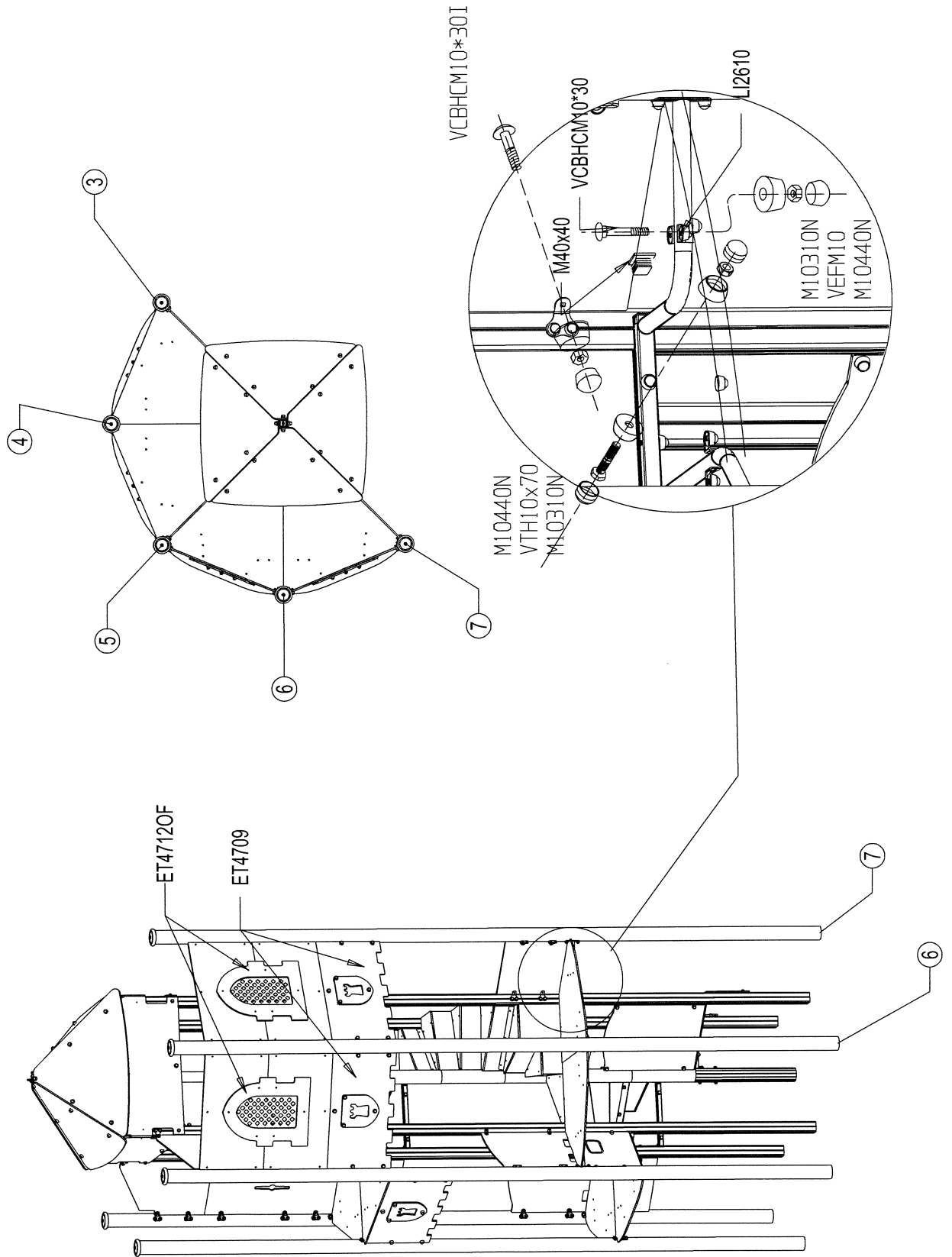


ET4762J

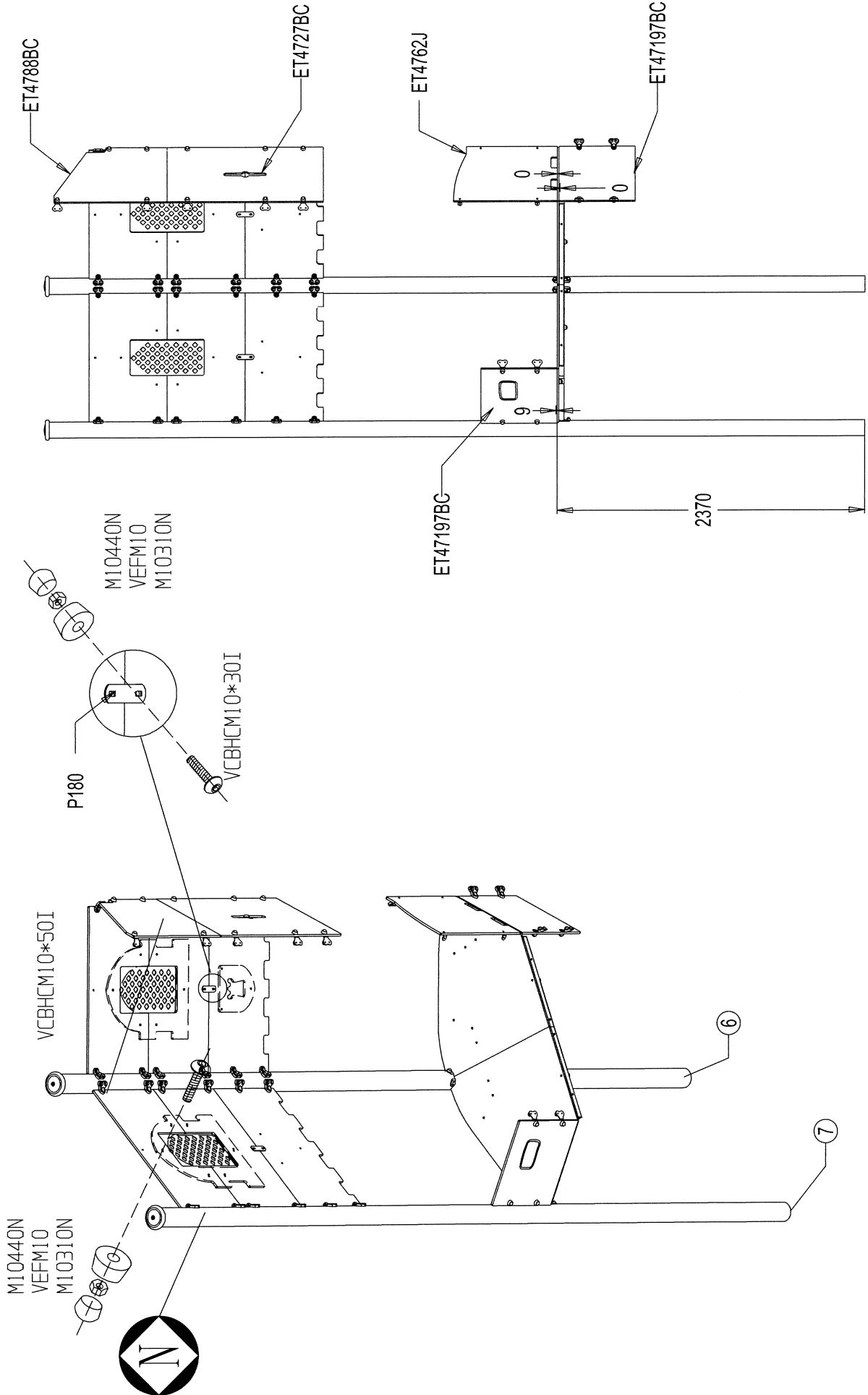


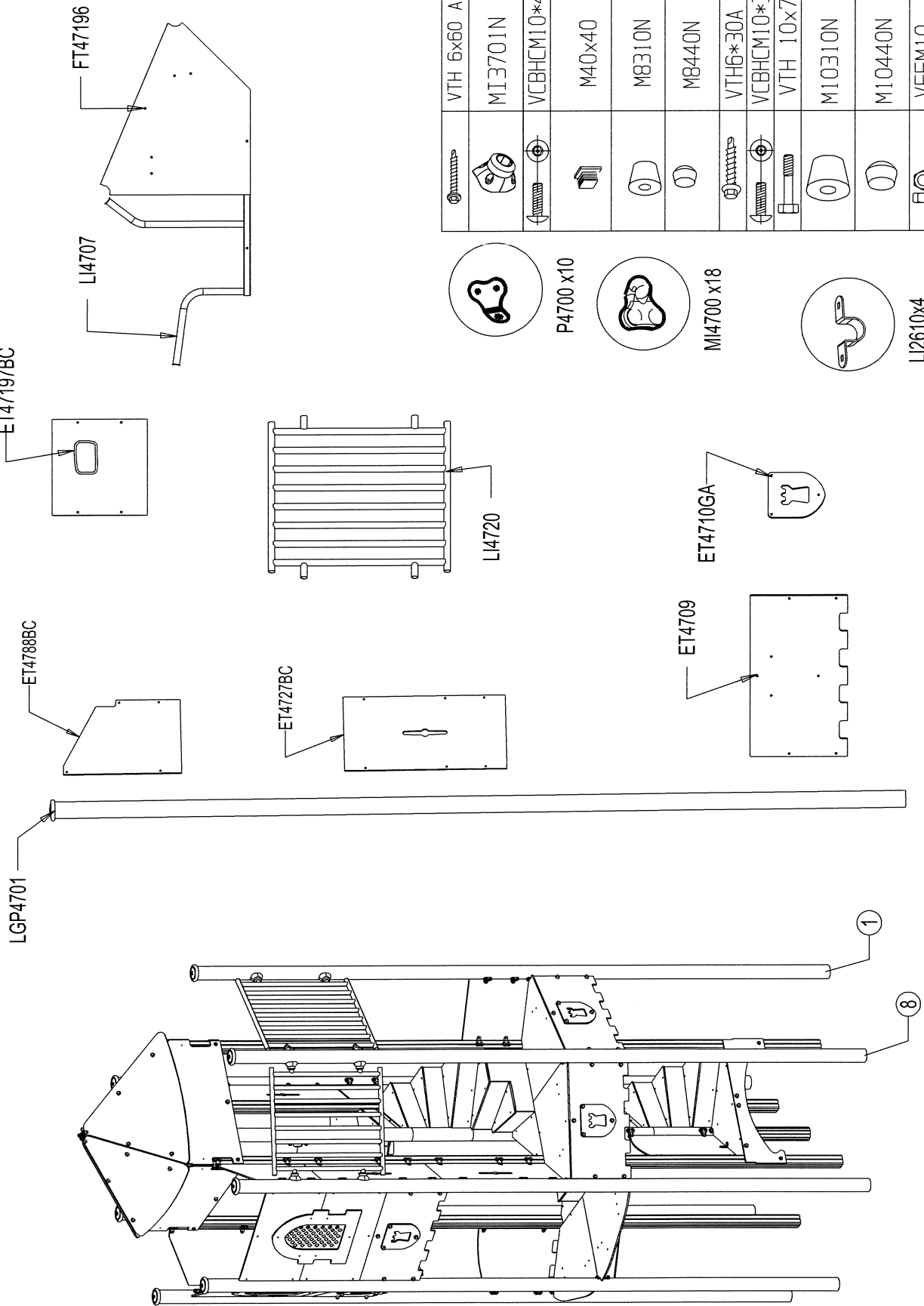
ET4727BC

	VEBHC10*40I	12
	VEBHC10*50I	6
	M40x40	2
	M8310N	30
	M8440N	30
	VTH6*30A	100
	VEBHC10*30I	62
	VTH 10x70	4
	M10310N	44
	M10440N	149
	VEFM10	84
	VEBHC10*70I	2









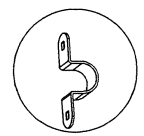
	VTH 6x60 AUITD	16
	M13701N	4
	VCBHC10*40I	6
	M40x40	2
	M8310N	28
	M8440N	28
	VTH6*30A	64
	VCBHC10*30I	28
	VTH 10x70	4
	M10310N	34
	M10440N	88
	VEFM10	40
	VCBHC10*70I	2



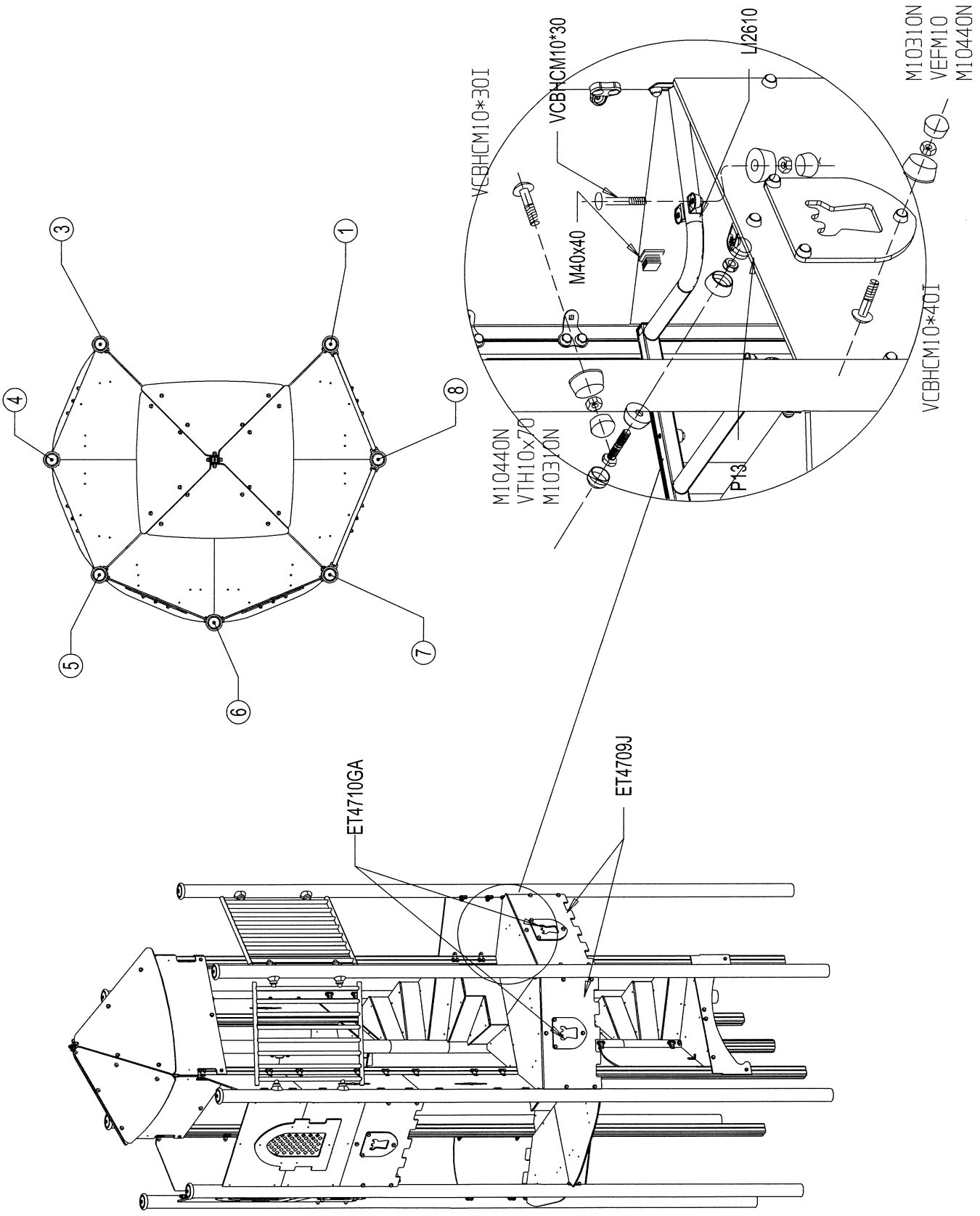
P4700 x10

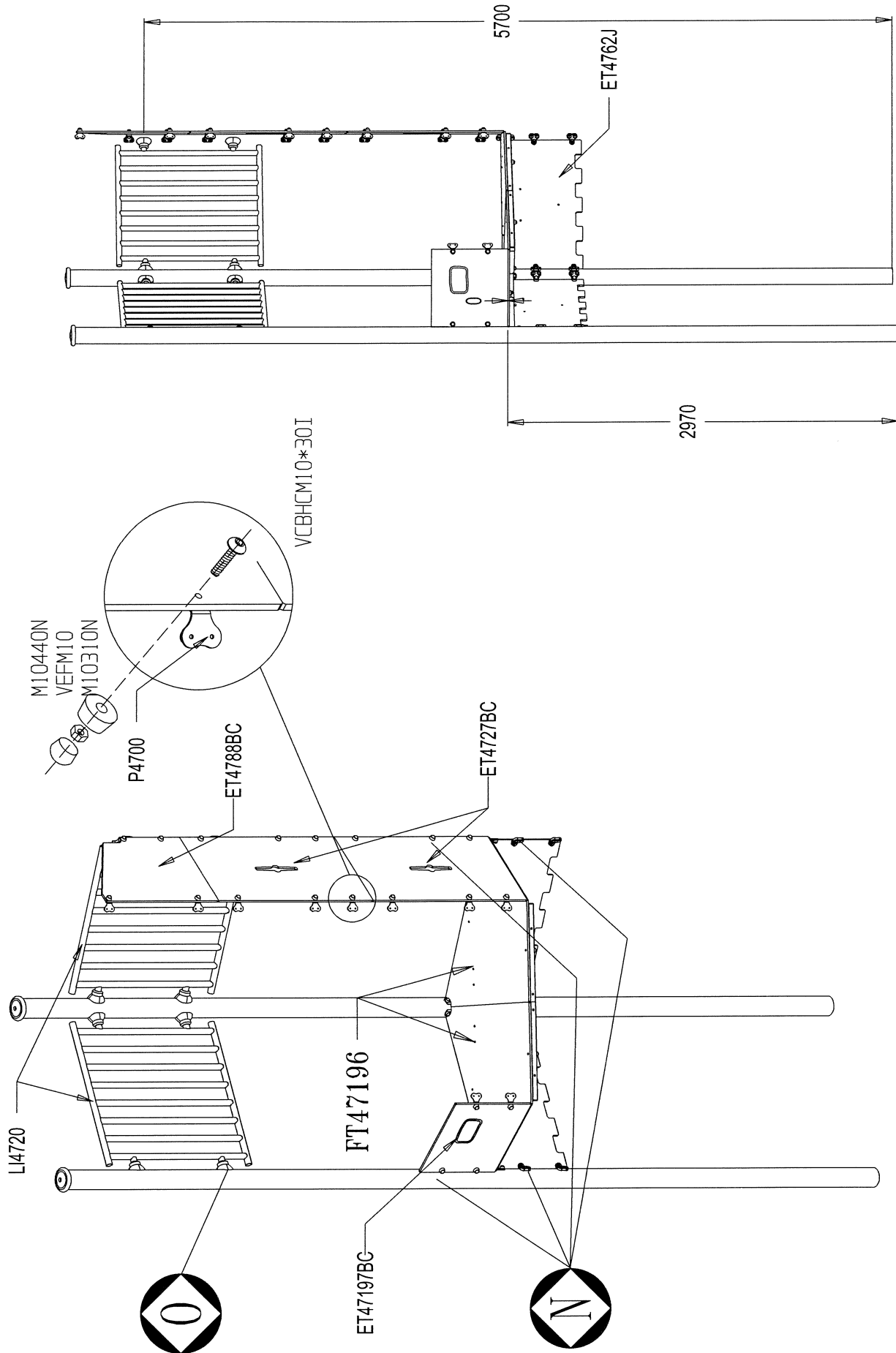


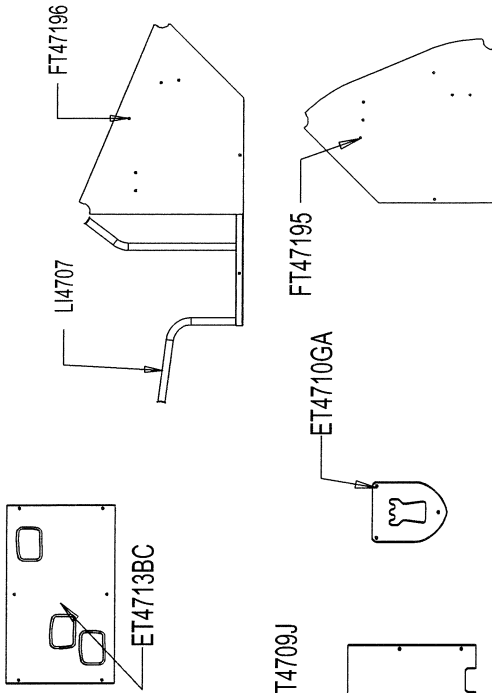
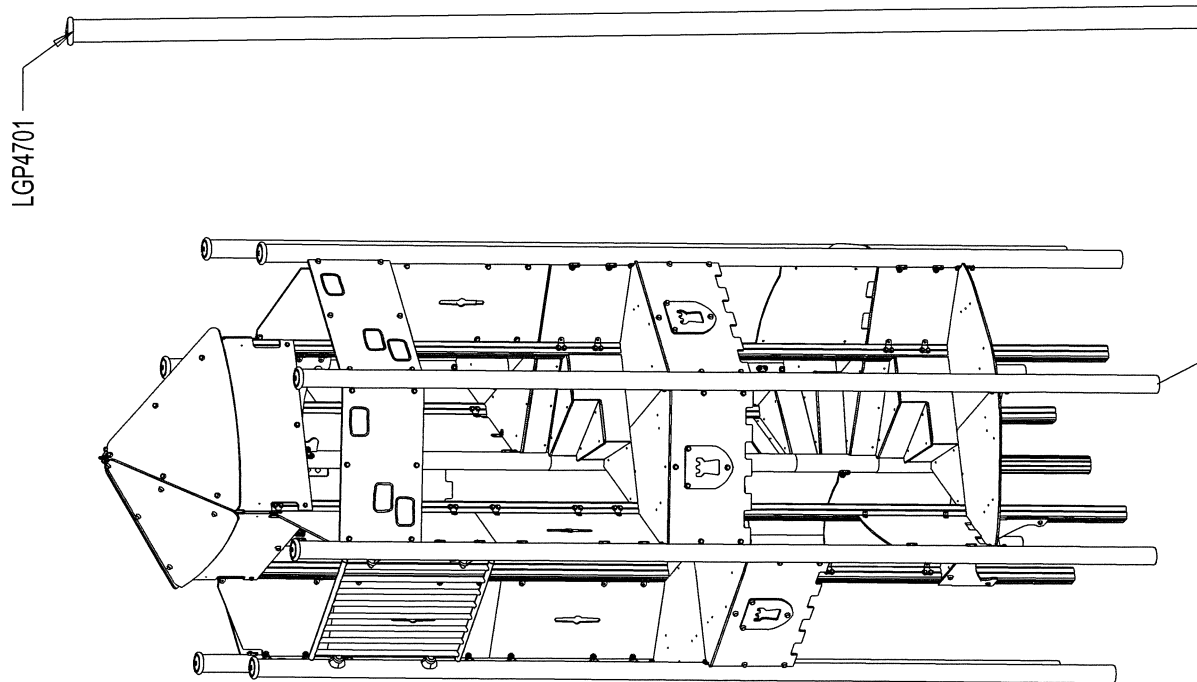
M14700 x18



L12610x4



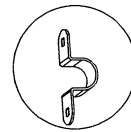




P4700 x9

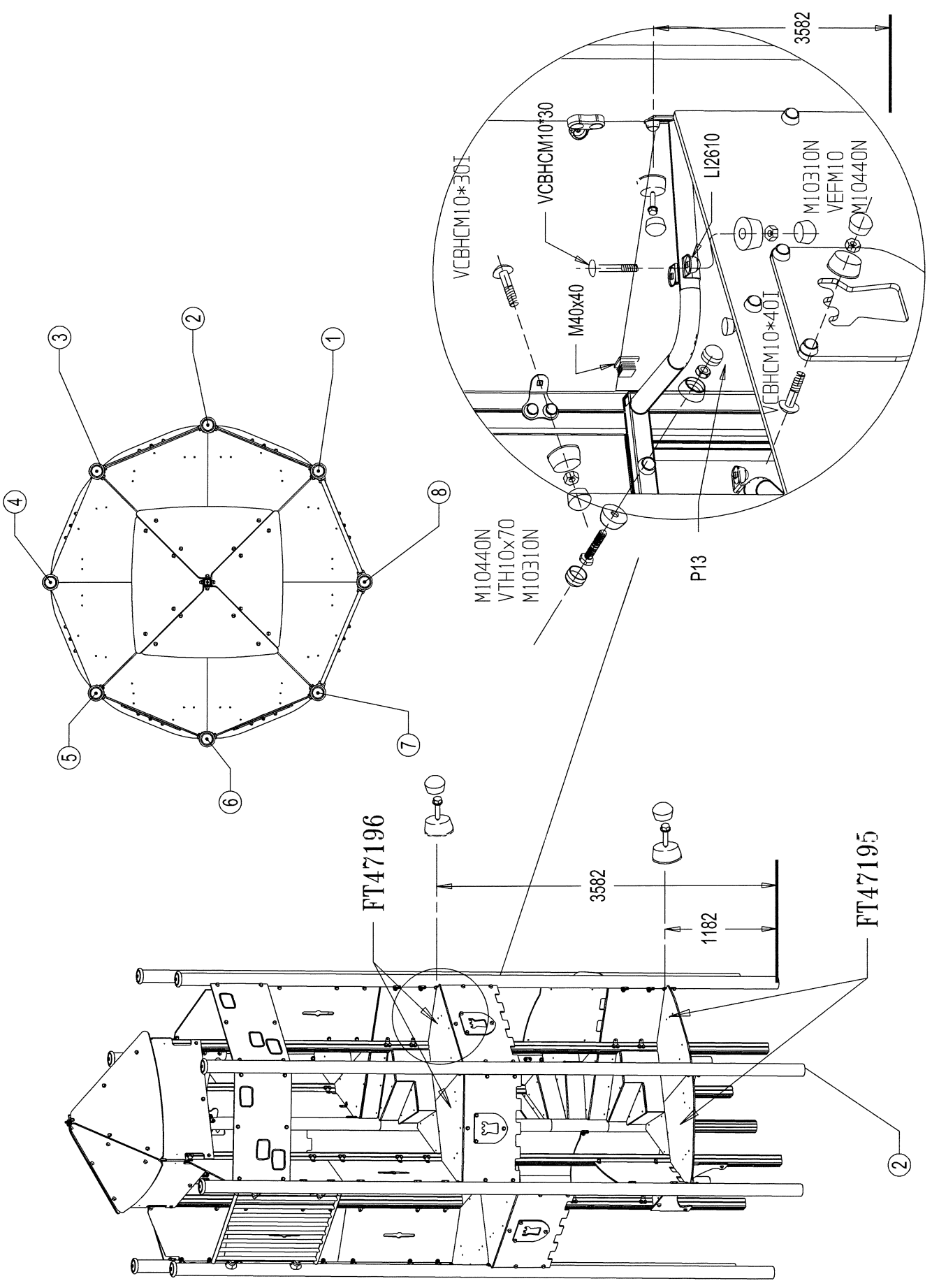


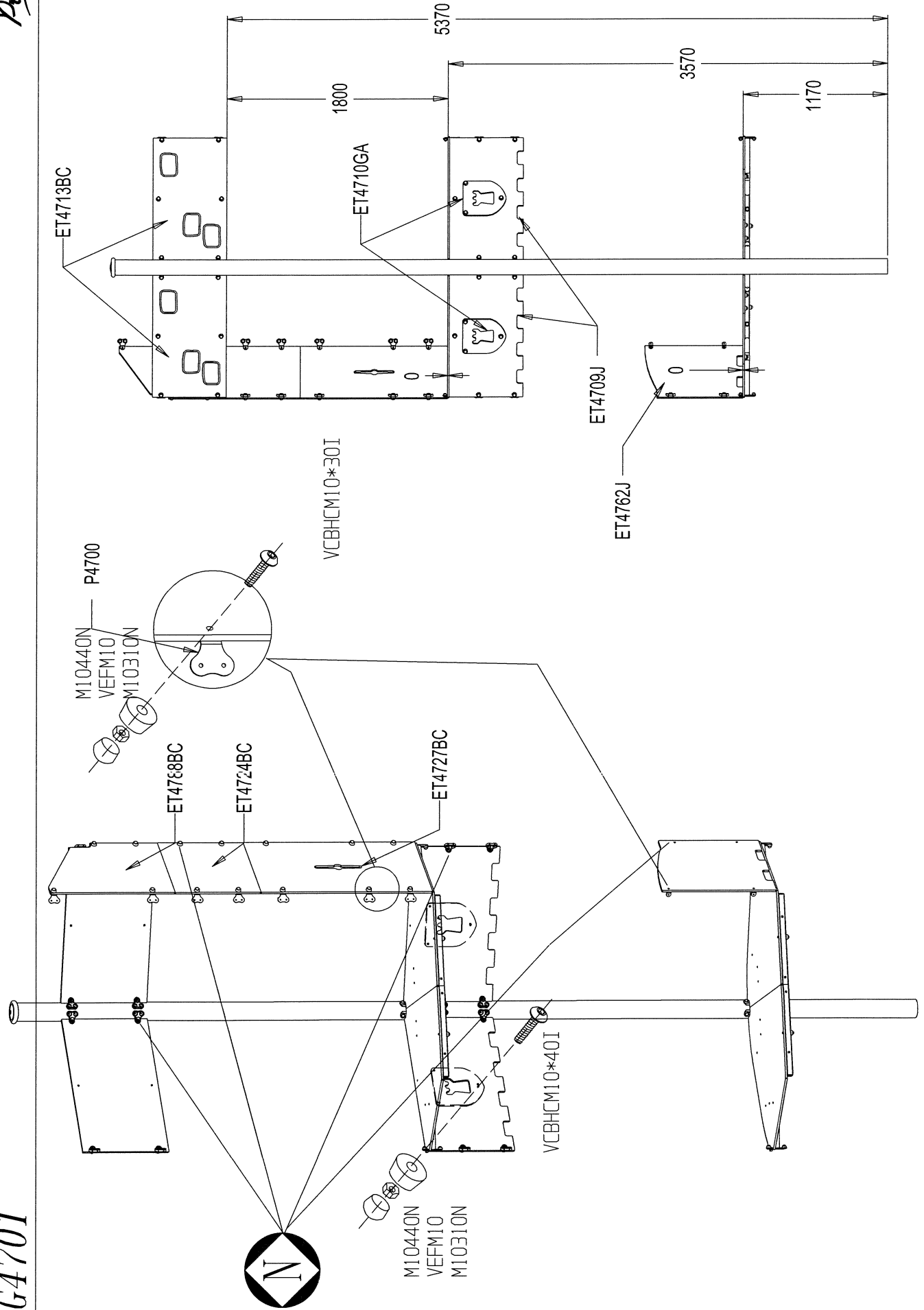
M14700 x25

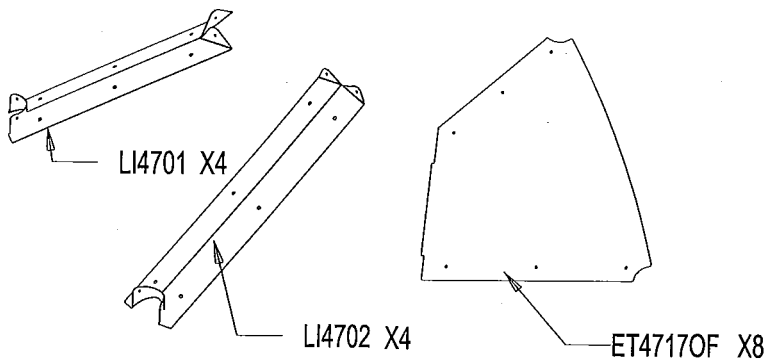
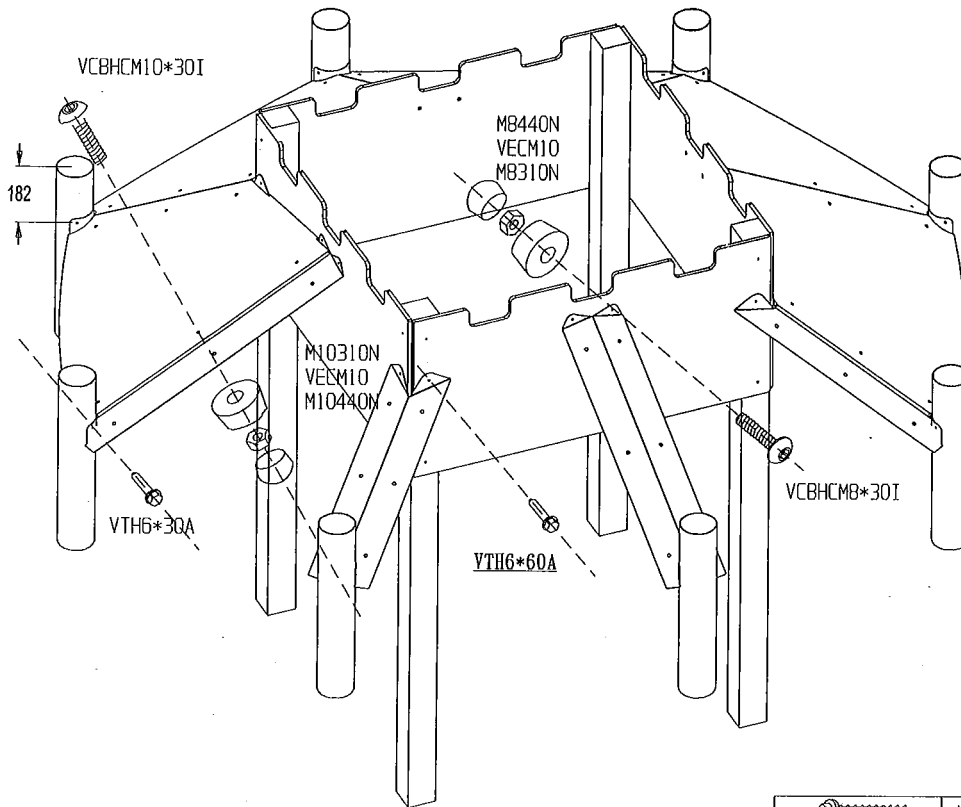
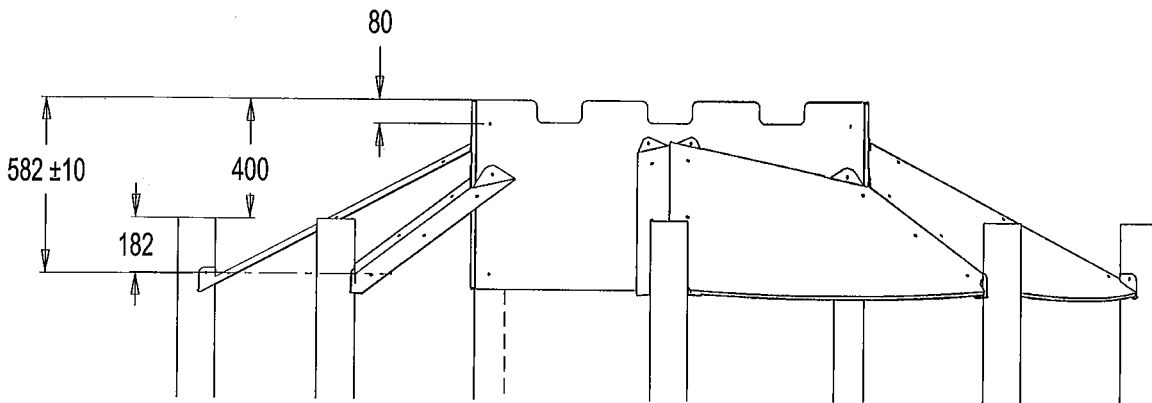


L12610x8

	VCBHC10*40I	6
	M40x40	4
	M8310N	34
	M8440N	34
	VTH6*30A	84
	VCBHC10*30I	56
	VTH 10x70	8
	M10310N	51
	M10440N	126
	VEFM10	40
	VCBHC10*70I	4

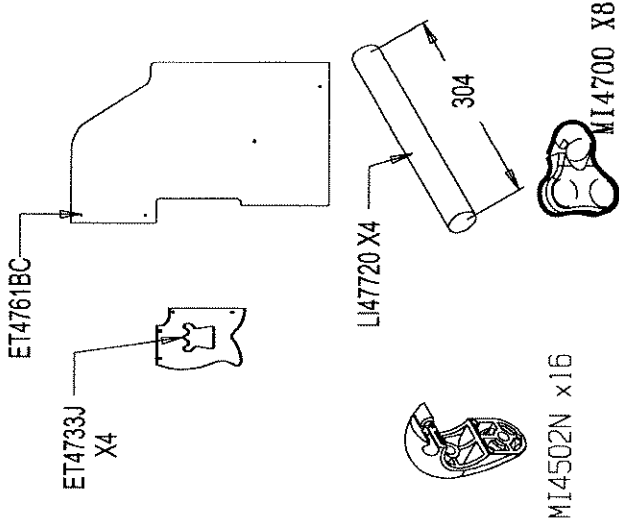
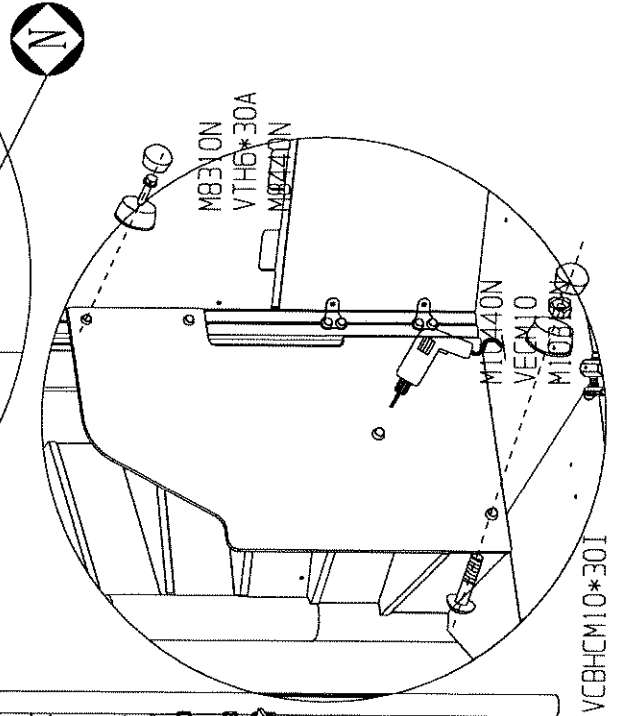
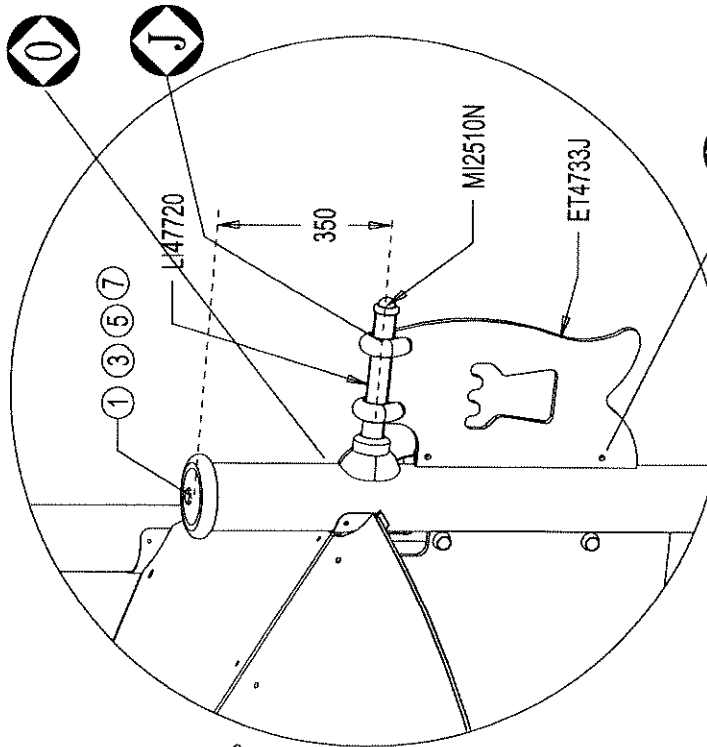
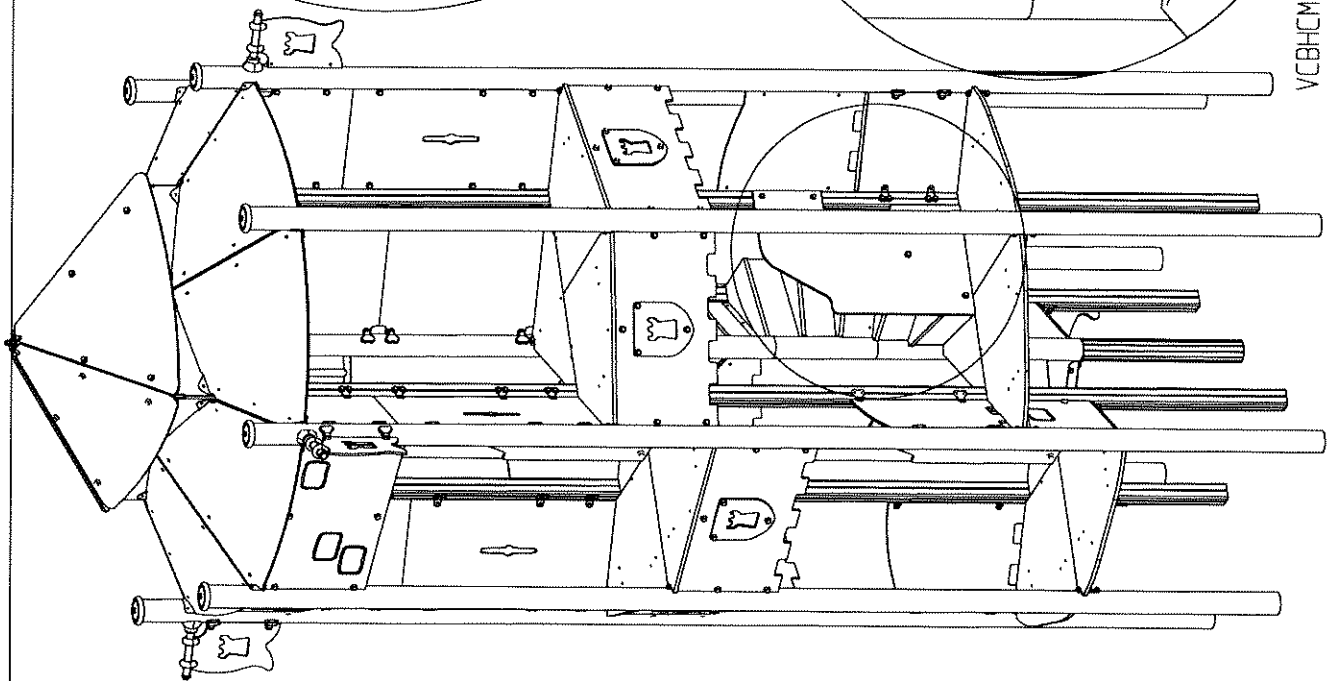






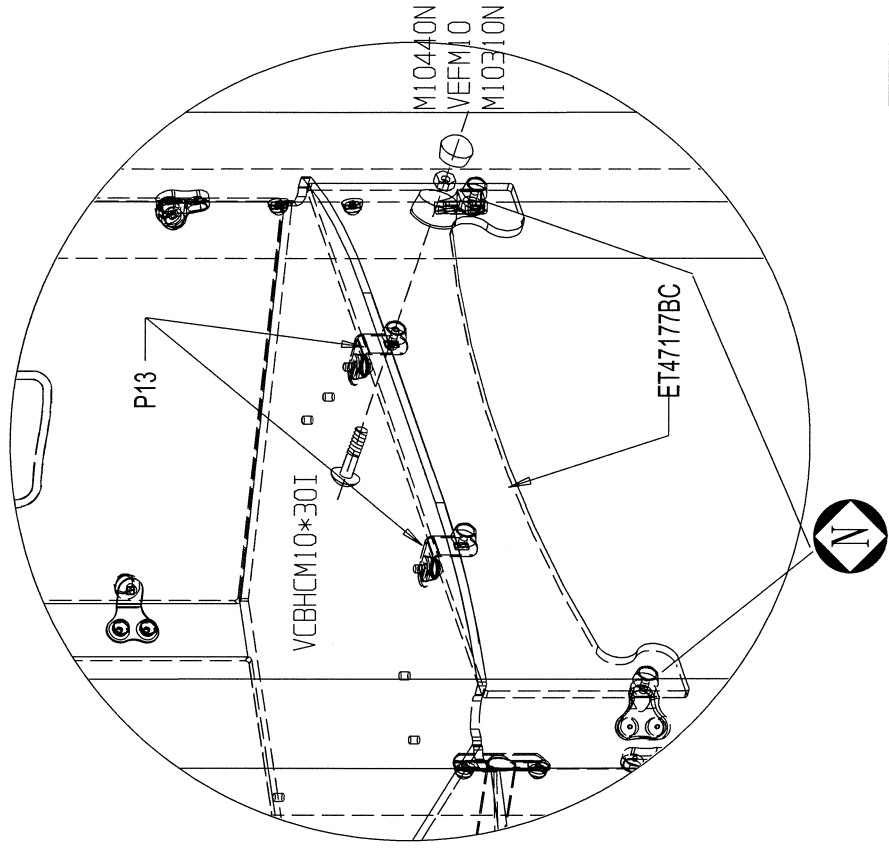
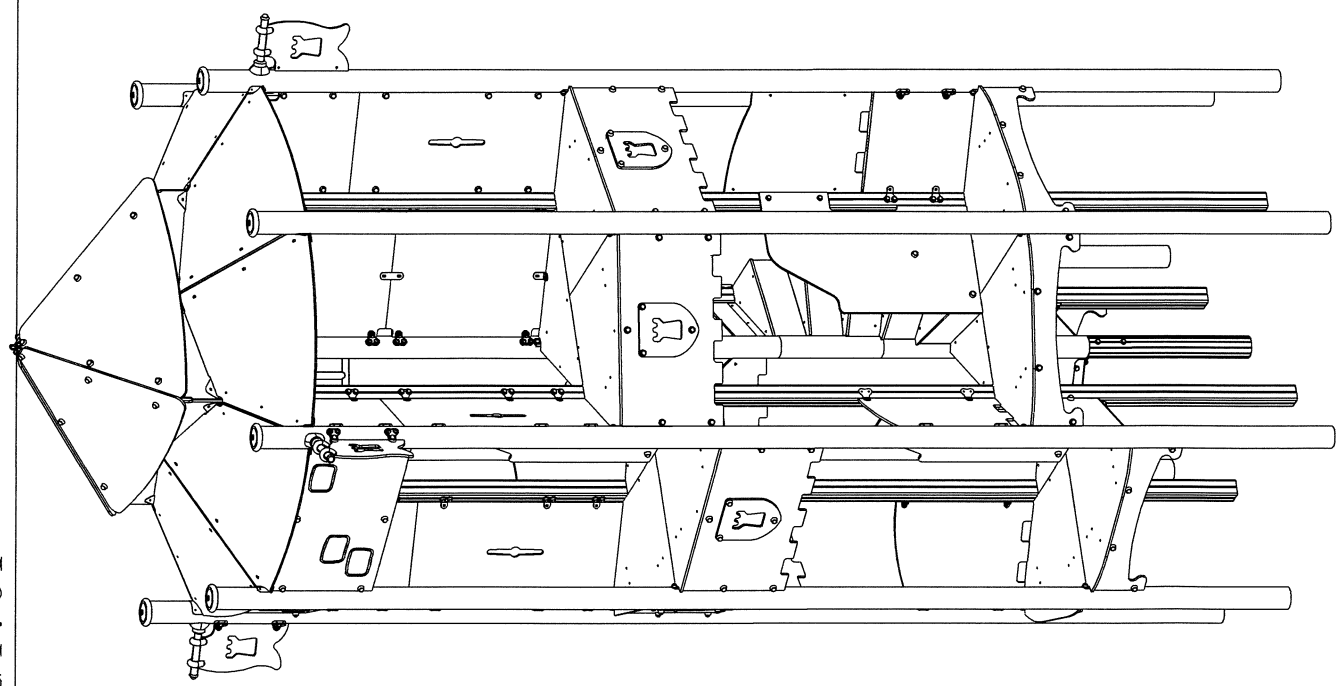
	VTH6*60A	8
	M8310N	8
	M8440N	8
	VTH6*30A	32
	VCBHCM10*30I	56
	M10310N	56
	M10440N	56
	VECM10	56



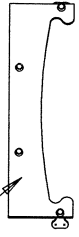


	VECM8	8
	VBTR8*25	8
	MI4503N	16
	VGC8*55I	4
	VTH 6x60 AUTO	16
	M13701N	4
	M8310N	10
	M8440N	10
	VTH6*30A	10
	VECM10	10
	VCBHC10*30I	10
	M10310N	10
	M10440N	10

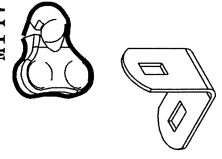
# X6



ET47177BC

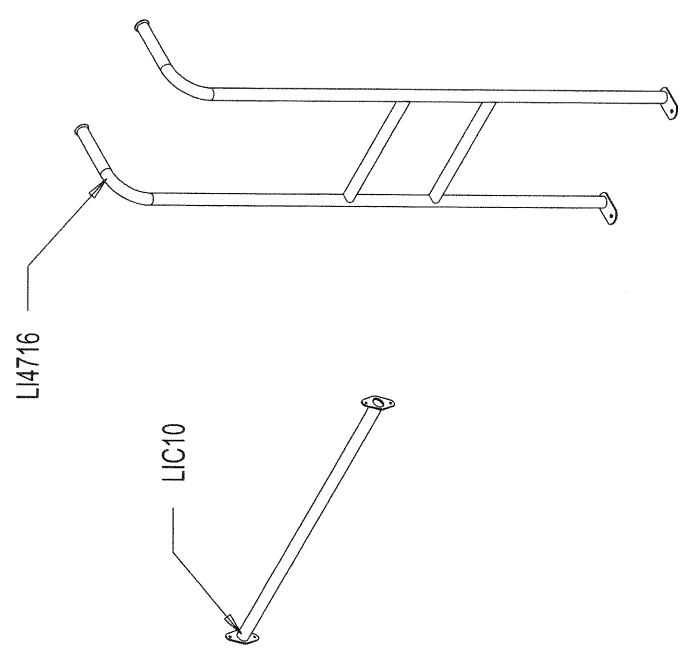


M14700 X2



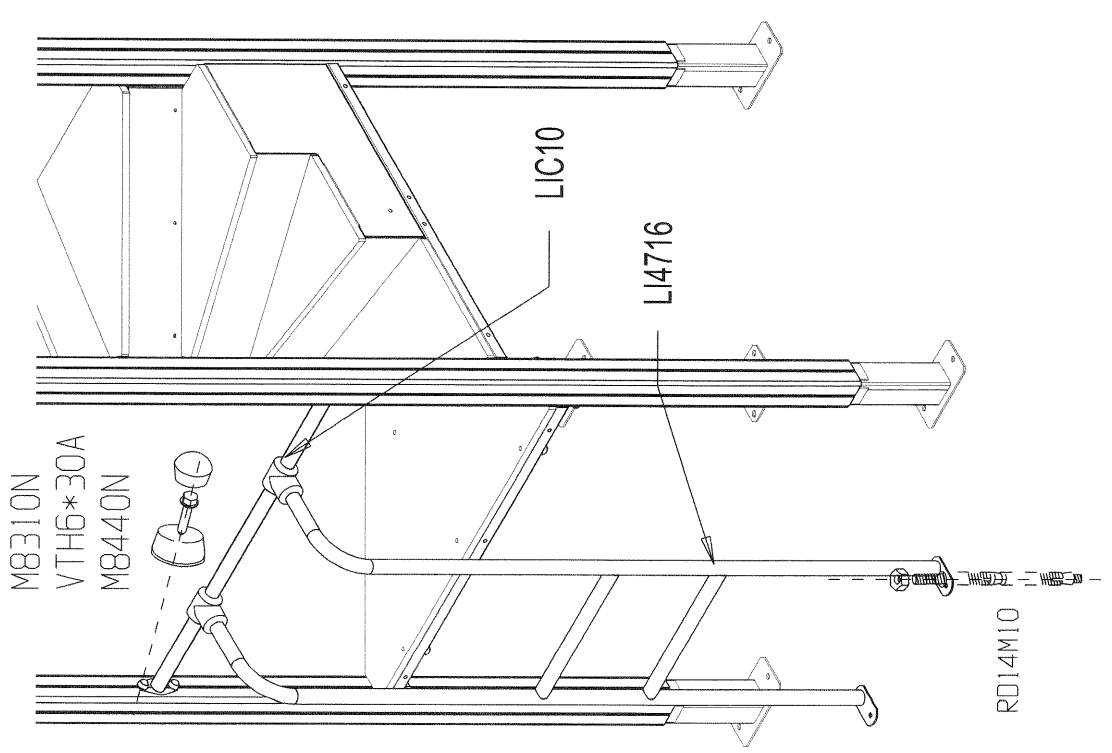
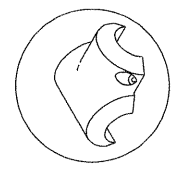
P13 X2

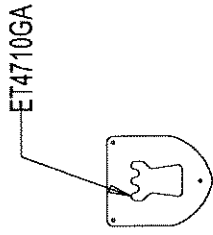
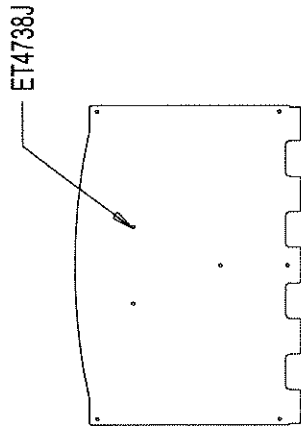
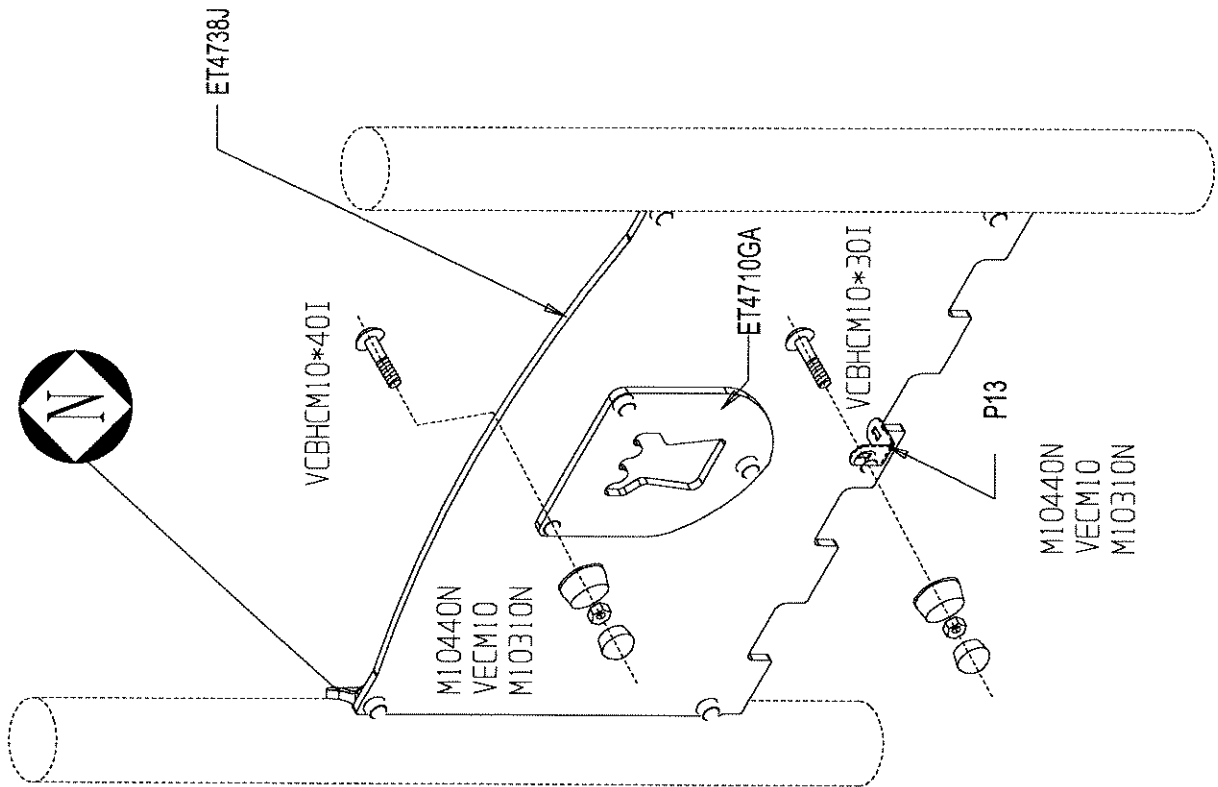
	VTHG*30A	4
	VEFM10	6
	VCBHCM10*30I	6
	M10310N	4
	M10440N	10



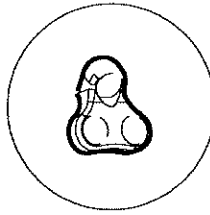
	M8310N	4
	M8440N	4
	VTH6*30A	4
	VCZX 6x25	8
	VEBM6	4
	RD14M10	2

MI2502N x4

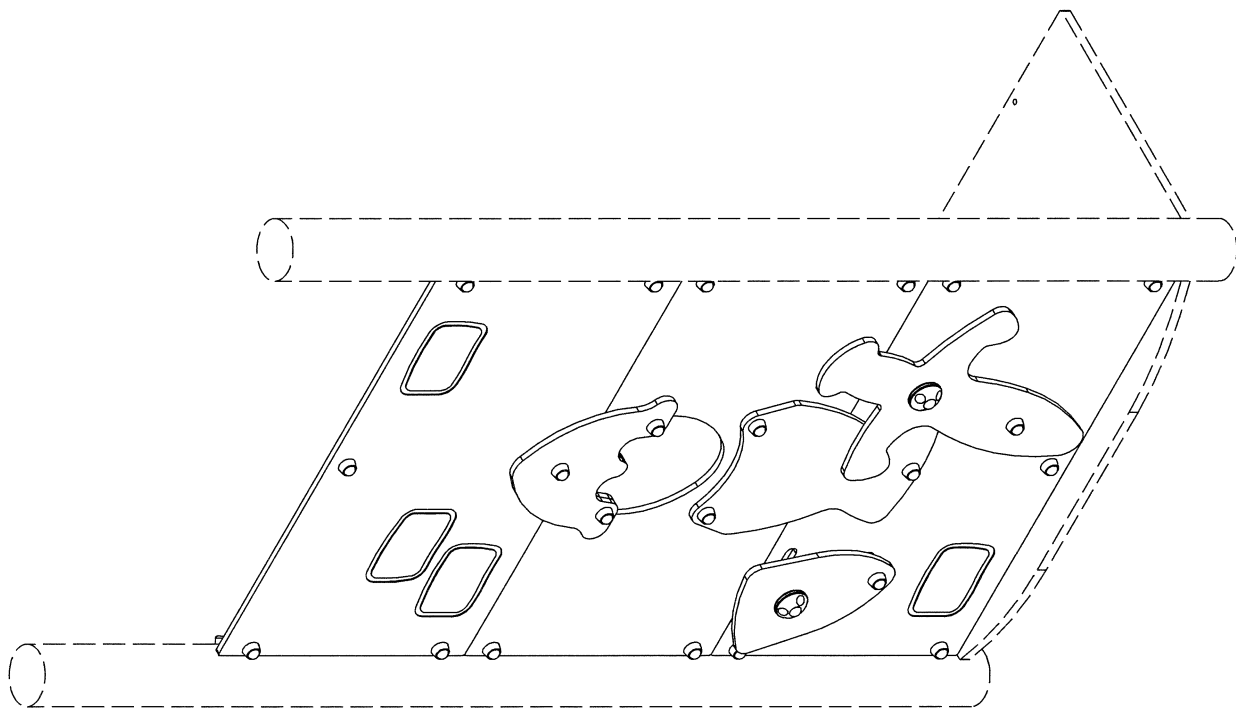




MI4700 X 4



	VCBHCM10*30I	5
	P13	1
	VCBHCM10*40I	3
	VTH6*30A	8
	M10310N	5
	M10440N	17
	VECM10	9



U47102

ET4743GA

ET4713BC

ET4744GA

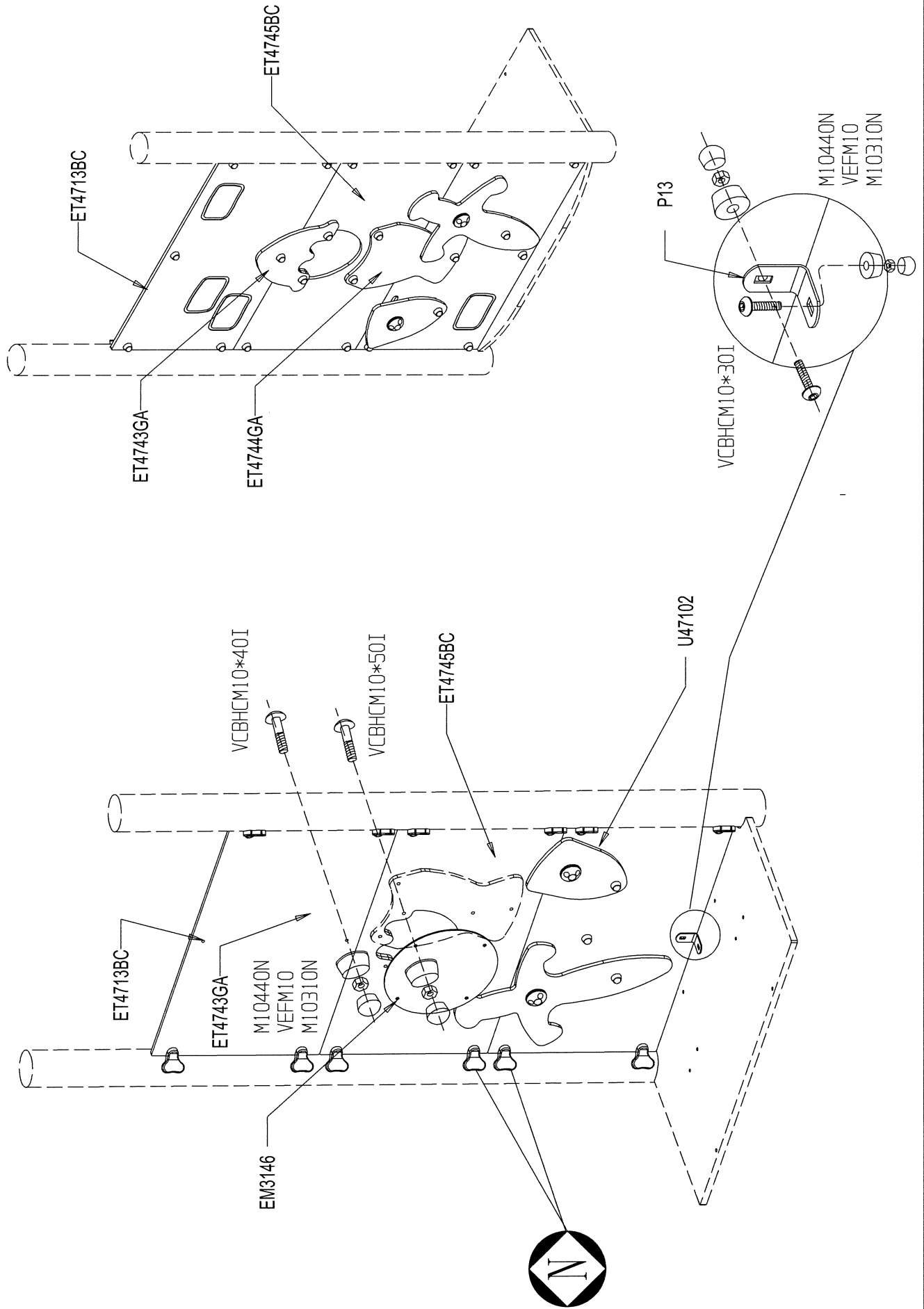
EM3146

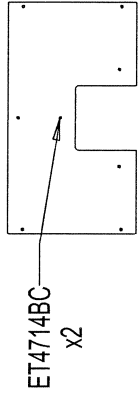
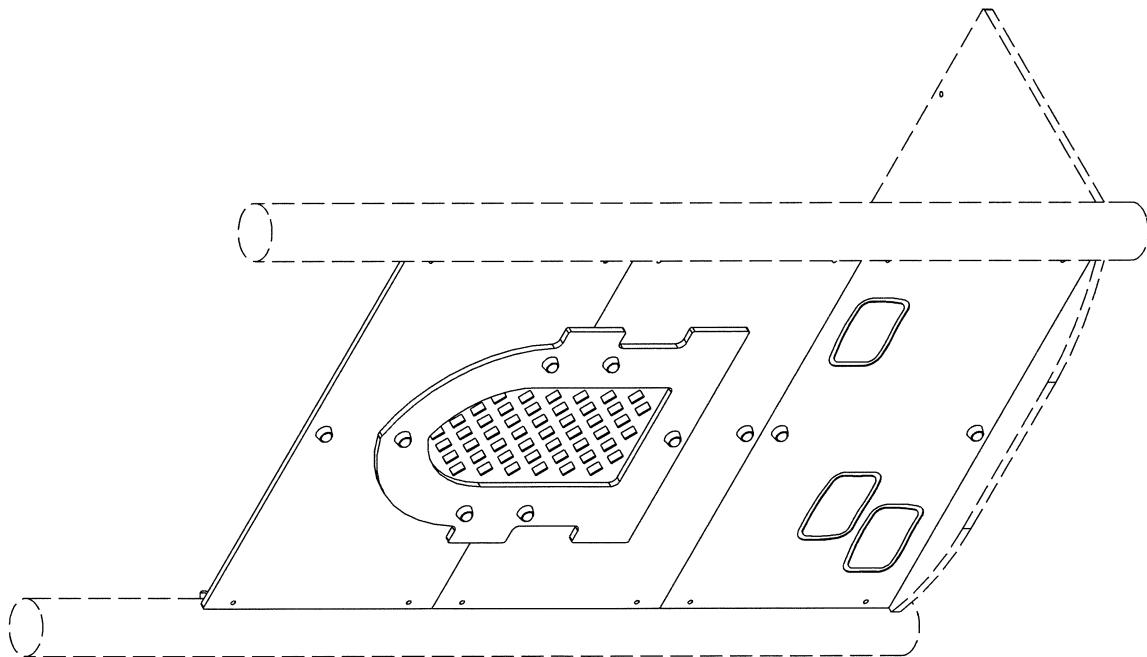
ET4745BC

M14700 X 12

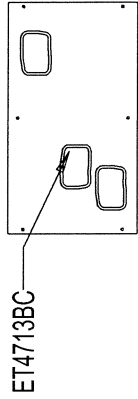
	VCBHC10*40I	2
	VCBHC10*30I	15
	VTH6*30A	24
	VCBHC10*50I	4
	M10310N	9
	M10440N	45
	VEFM10	21

	90°	
	70 mm	:PI3 1

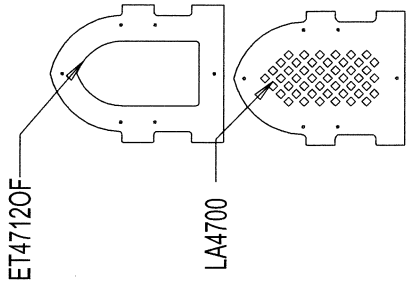




ET4714BC  
x2



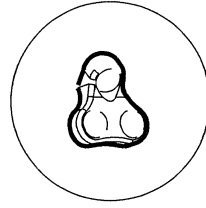
ET4713BC



ET47120F

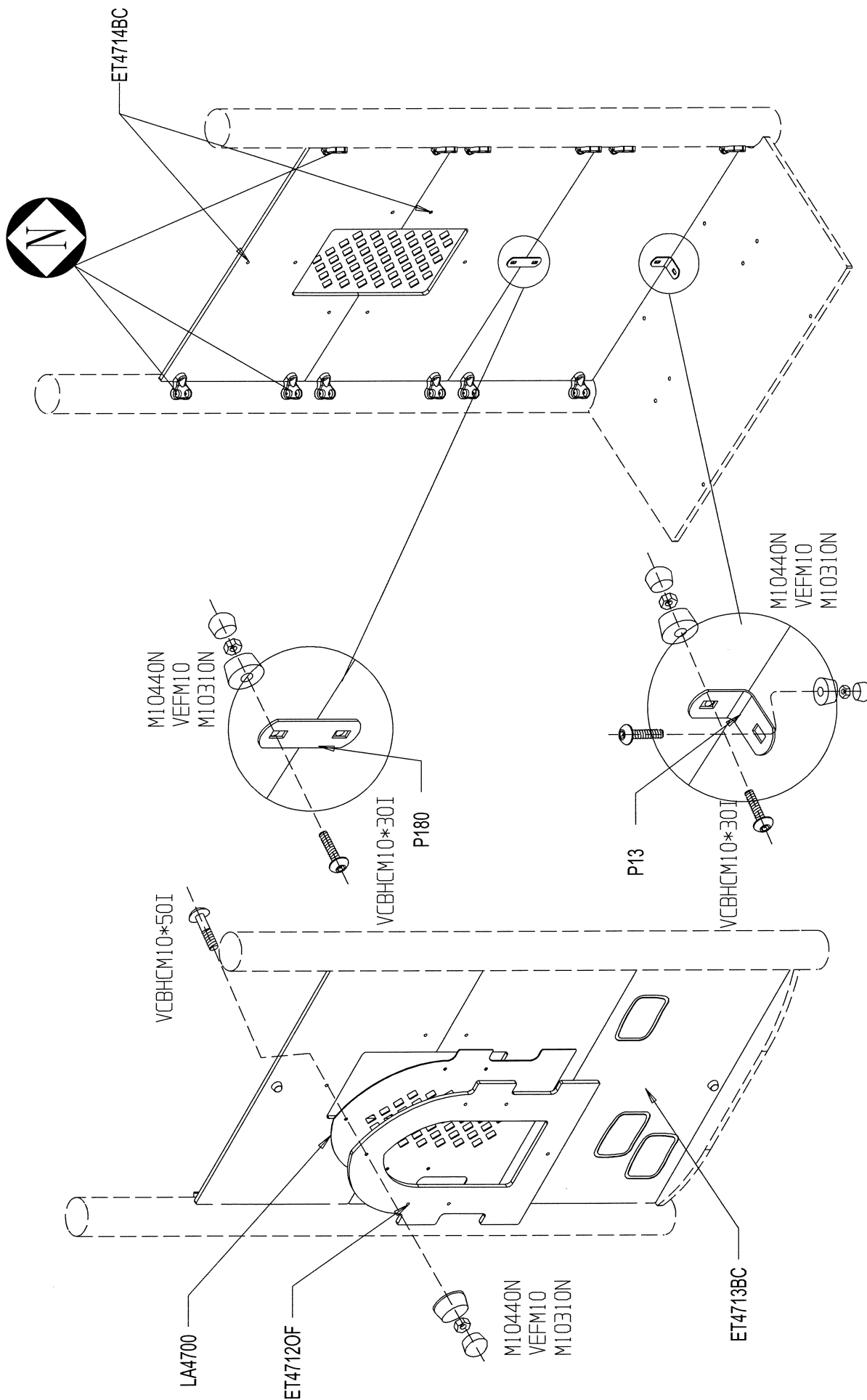
LA4700

MI4700 X 12

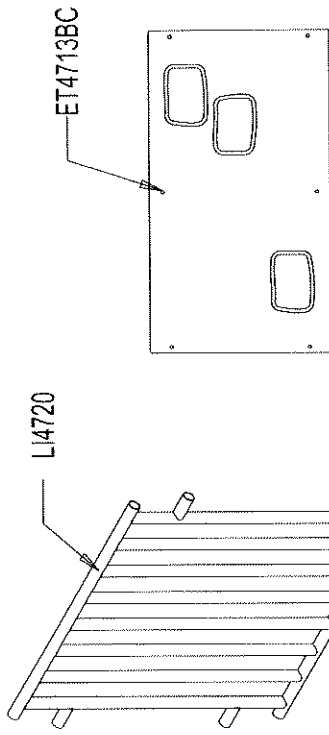
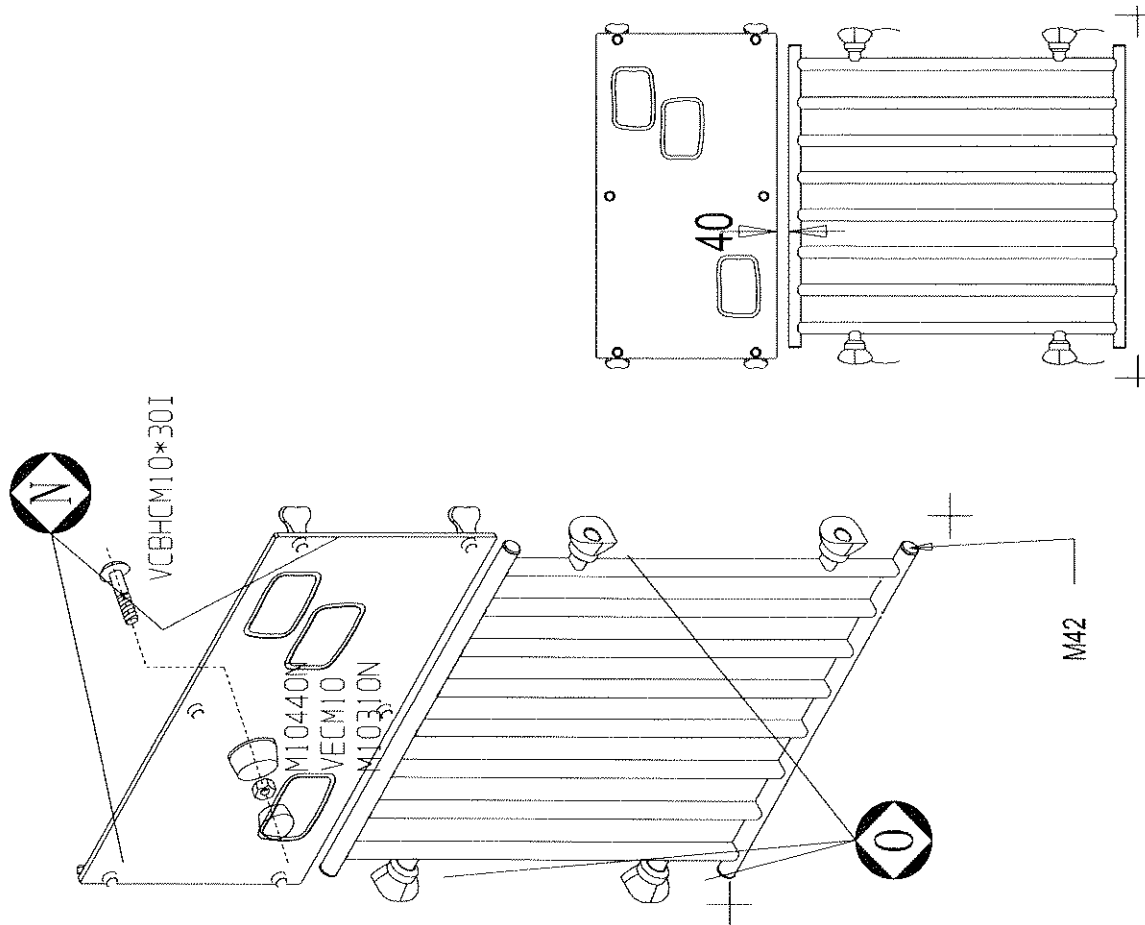


	VCBHCM10*30I	17
	VTH6*30A	24
	VCBHCM10*50I	6
	MI0310N	11
	MI0440N	47
	VEFM10	23

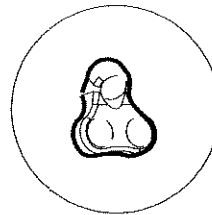
	70 mm :P13	1
	180° :P180	1



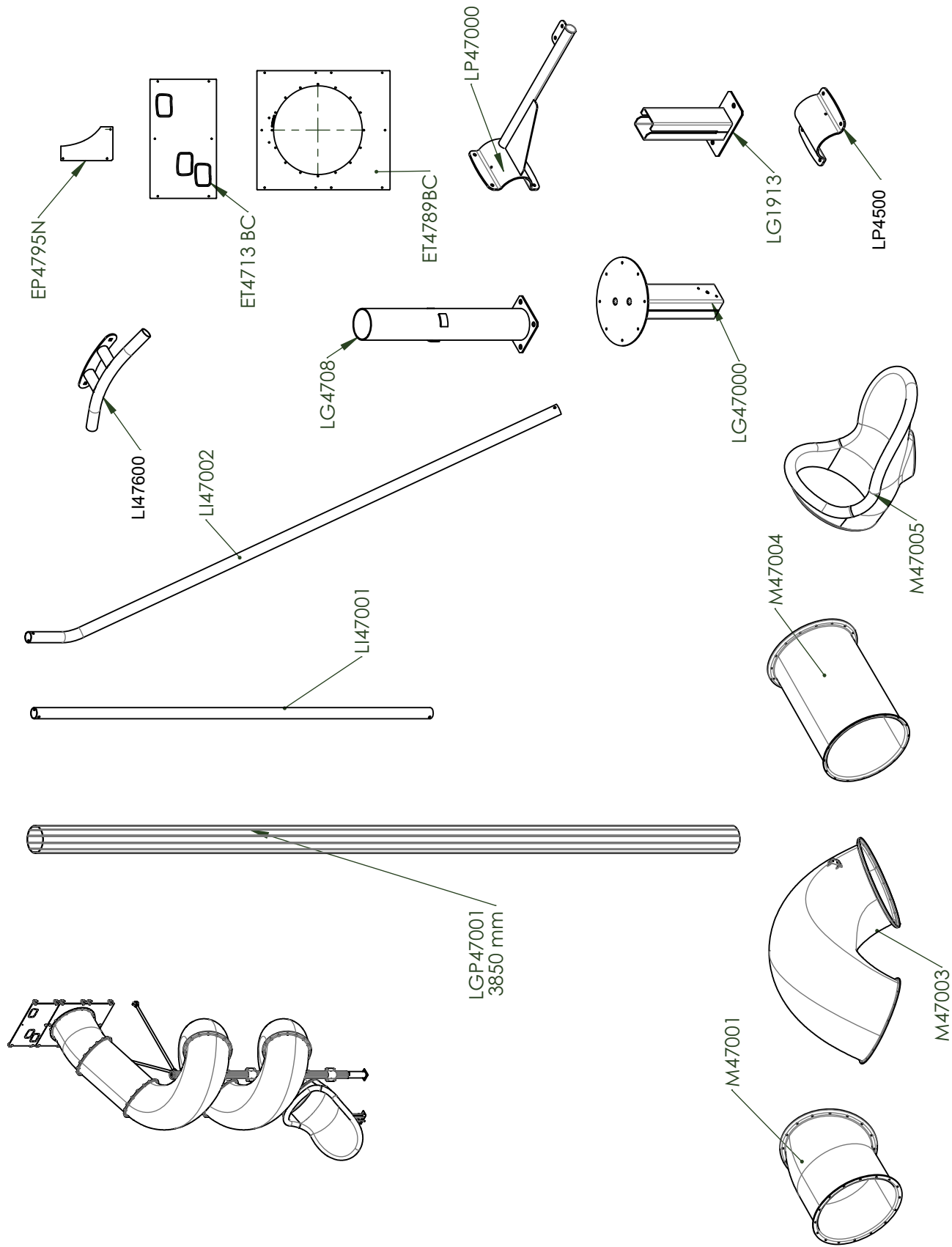




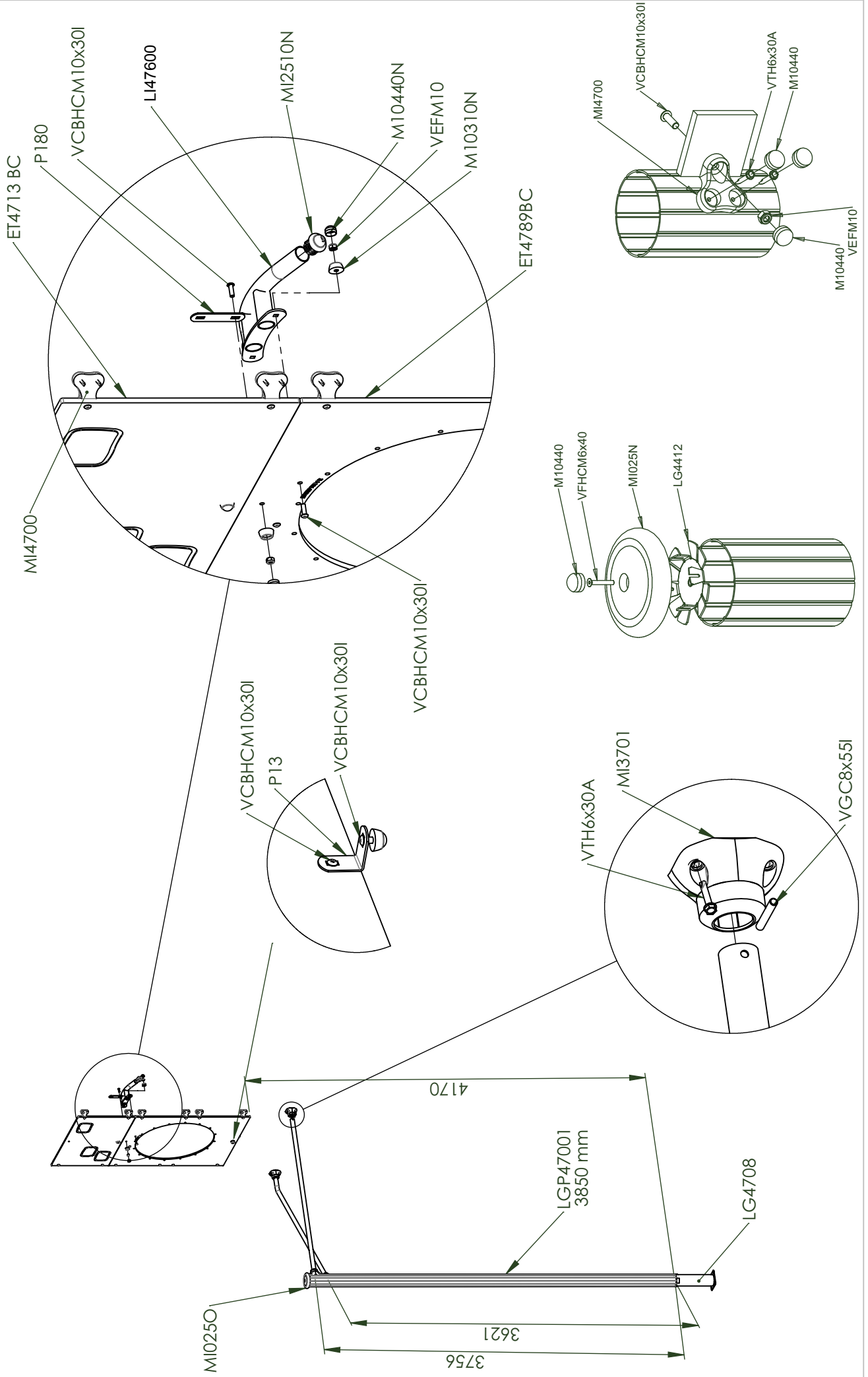
MI4700 X 4

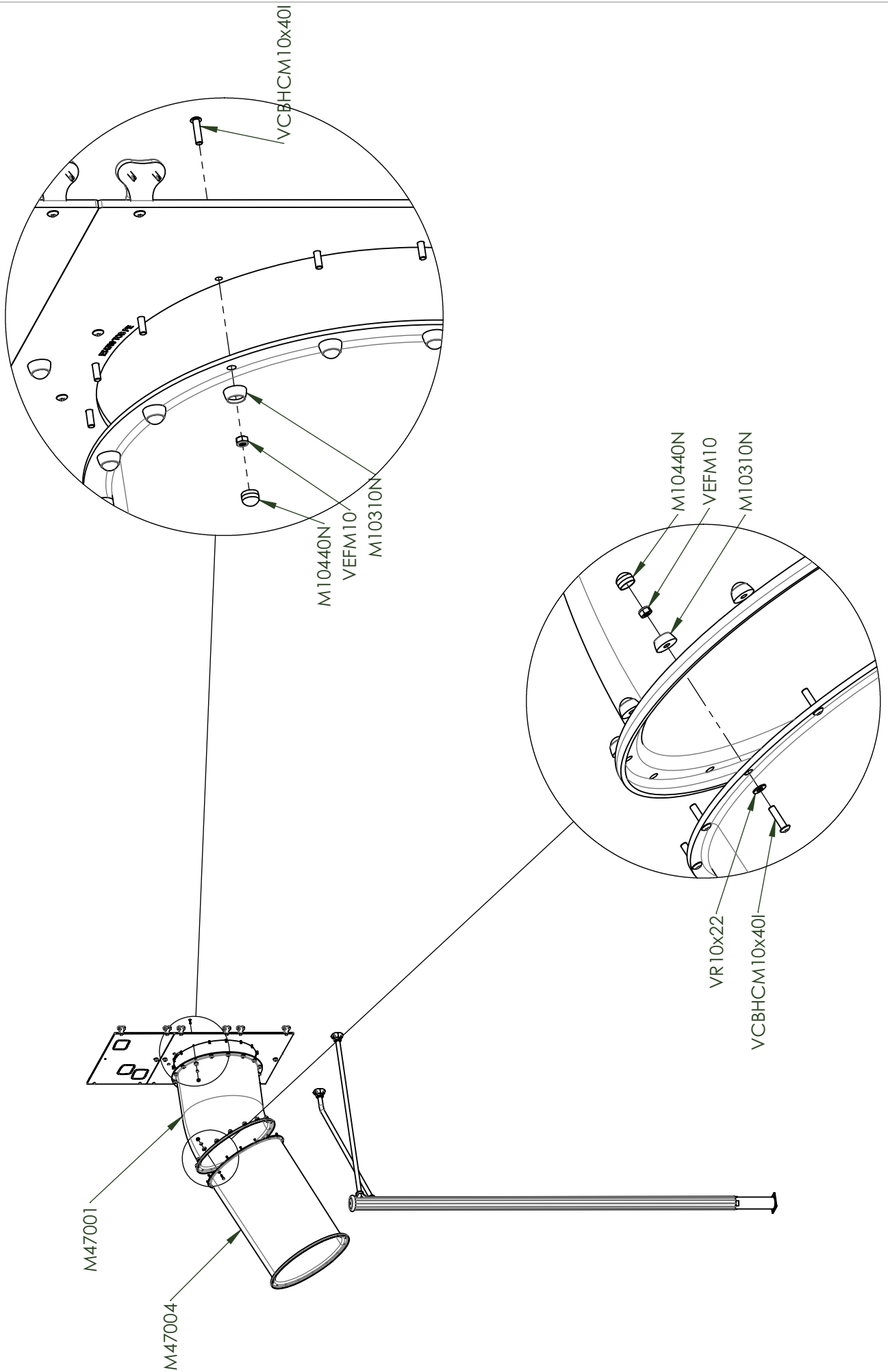


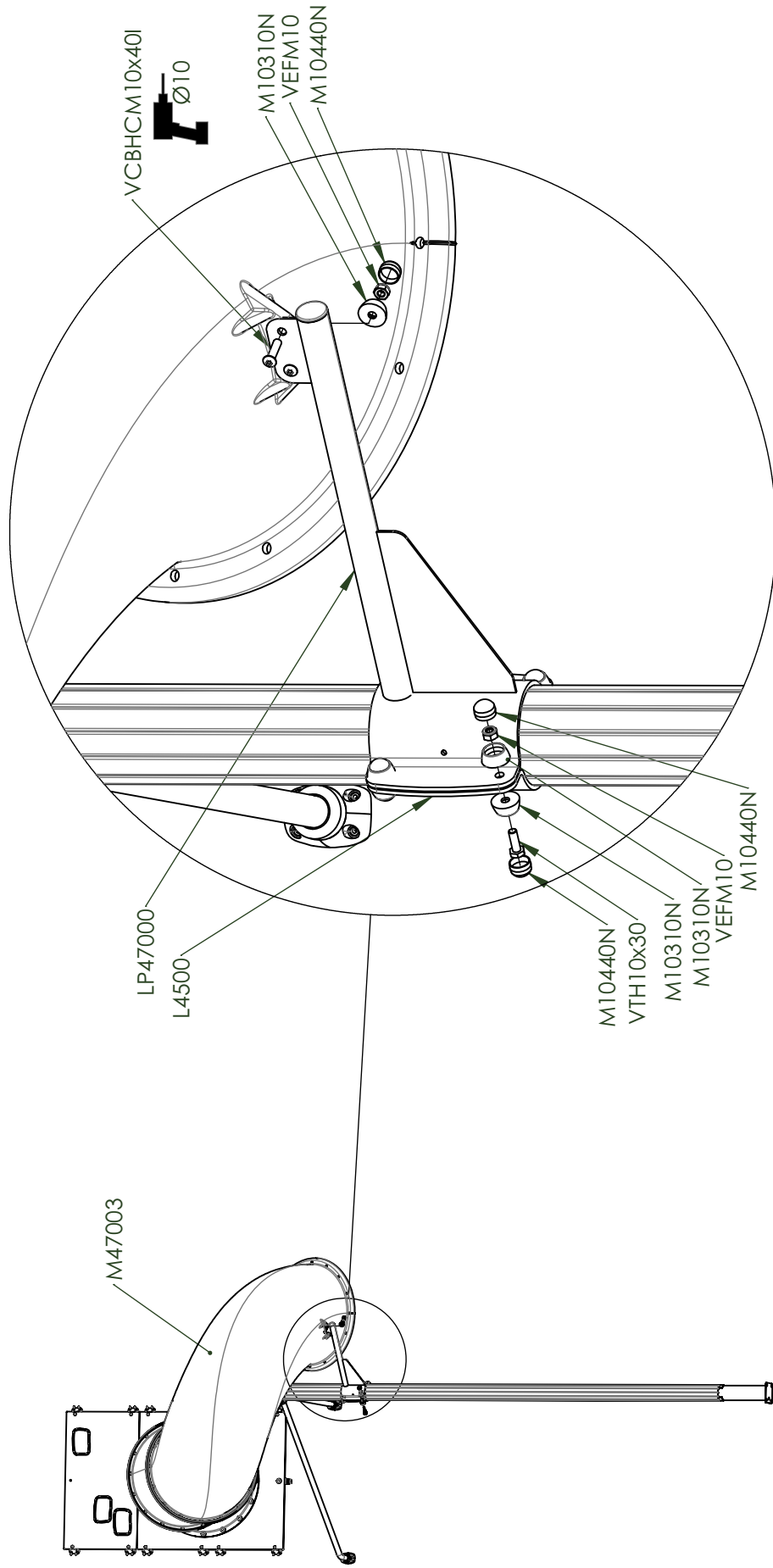
	VTH6*30A	24
	VCBHC M10*30I	6
	M10310N	2
	M10440N	14
	VECM10	6
	VGC8*55I	4
	M13701N	4
	M42	4

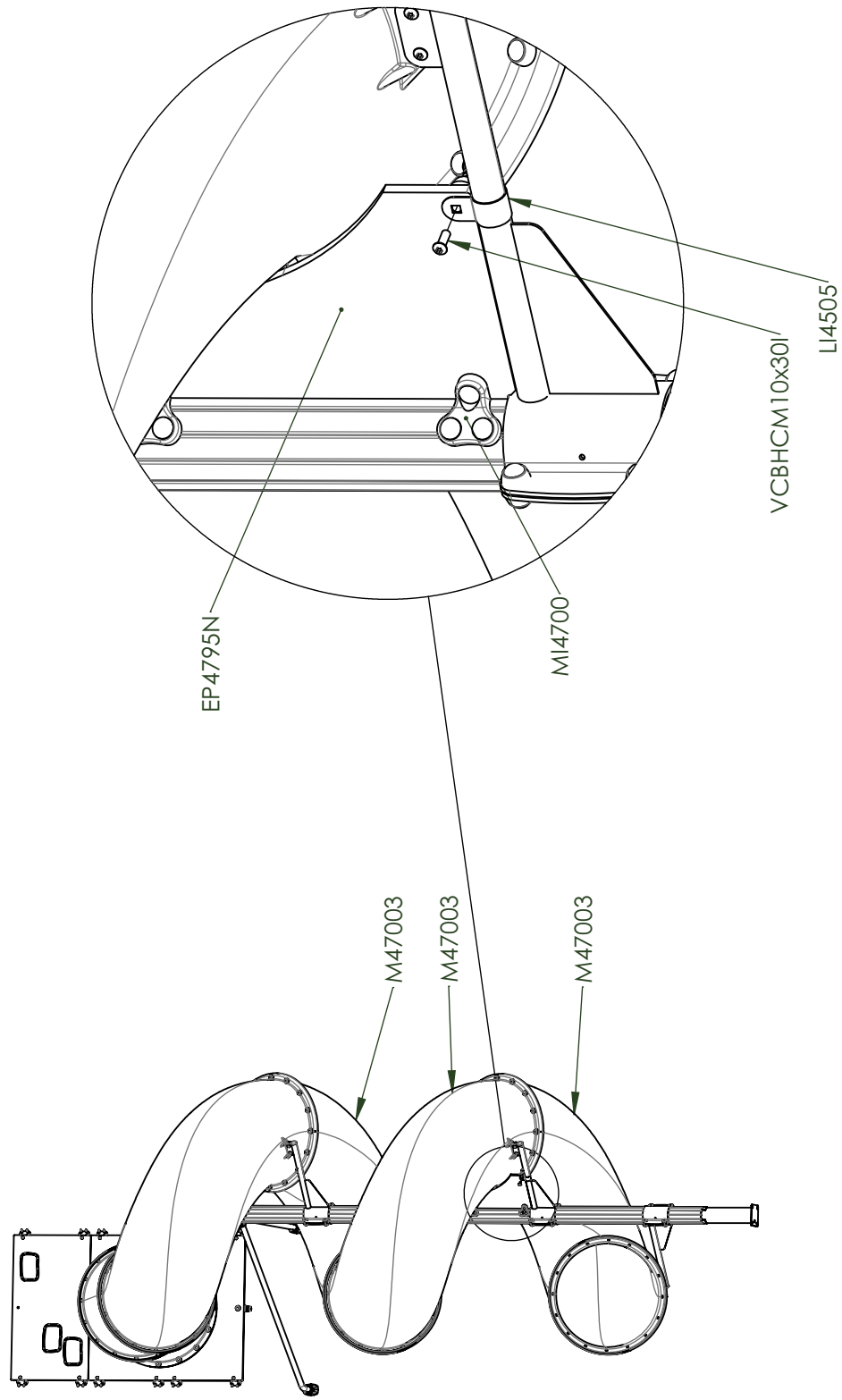


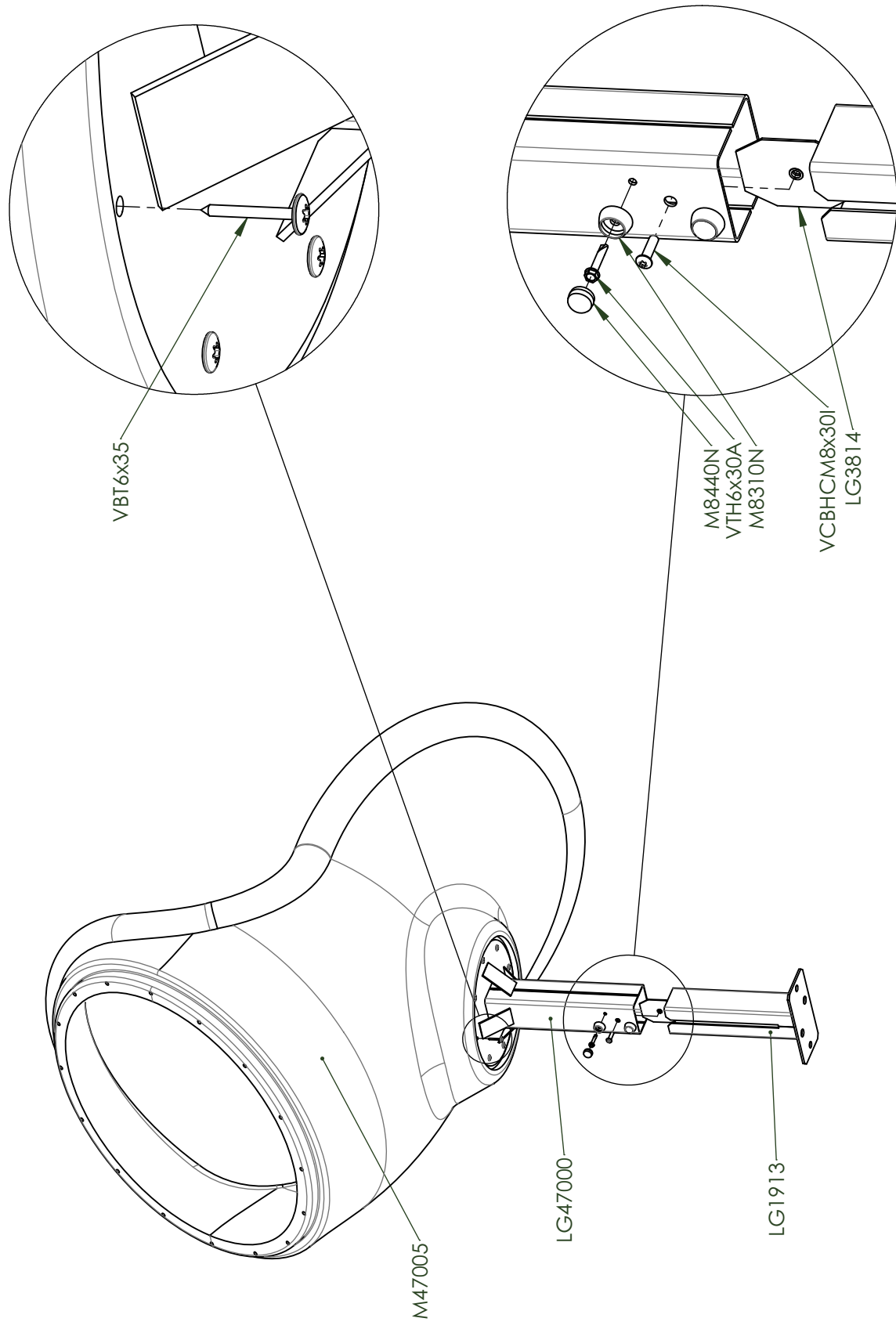
Réf	Qté
EP4795N	1
ET4713 BC	1
ET4789BC	1
L4500	4
LG1913	1
LG4708	1
LG47000	1
LGP47001	1
LI4505	1
LI47001	1
LI47002	1
LI47600	1
LP47000	4
M47001	1
M47003	4
M47004	1
M47005	1

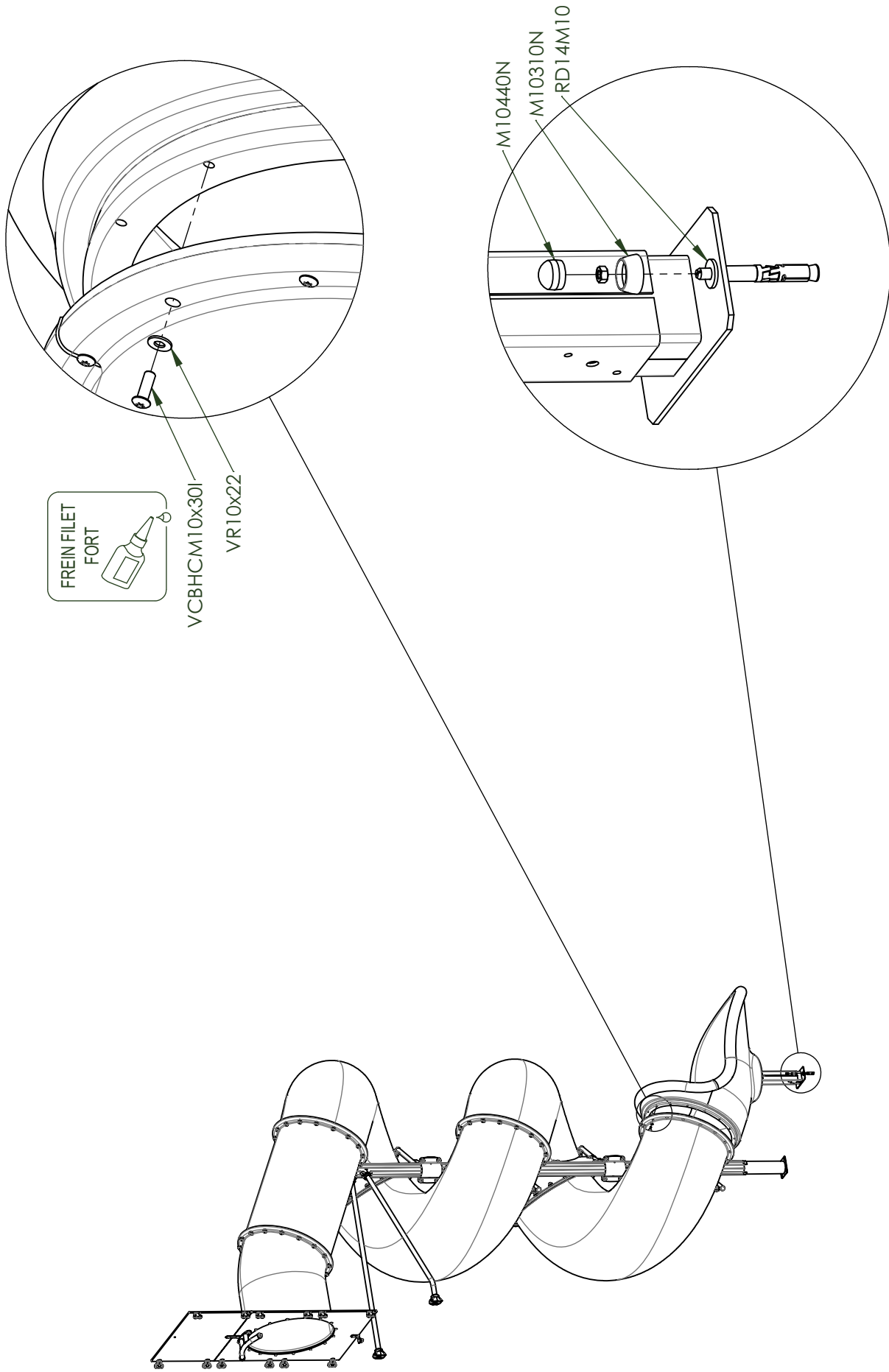




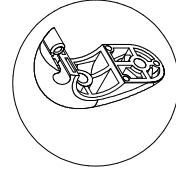
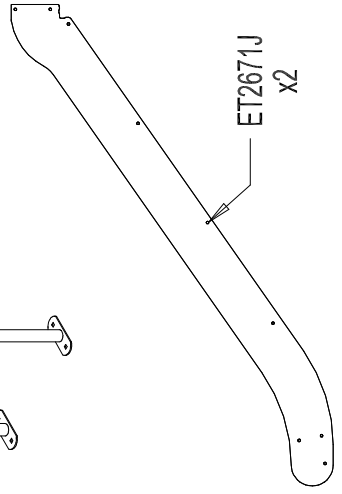
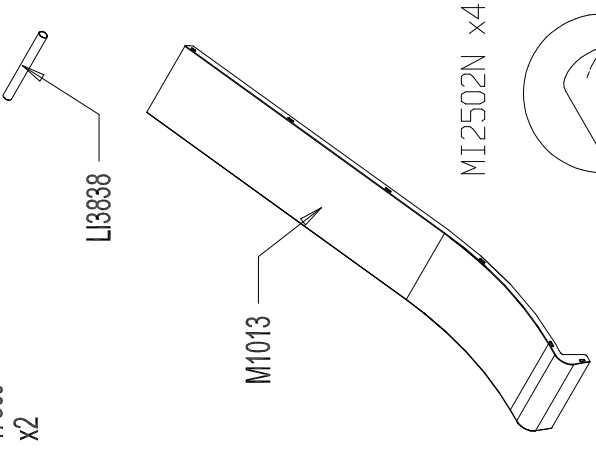
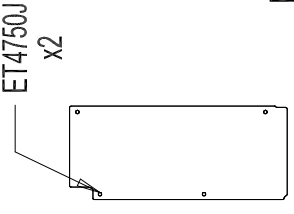
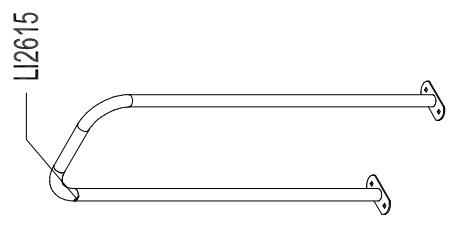
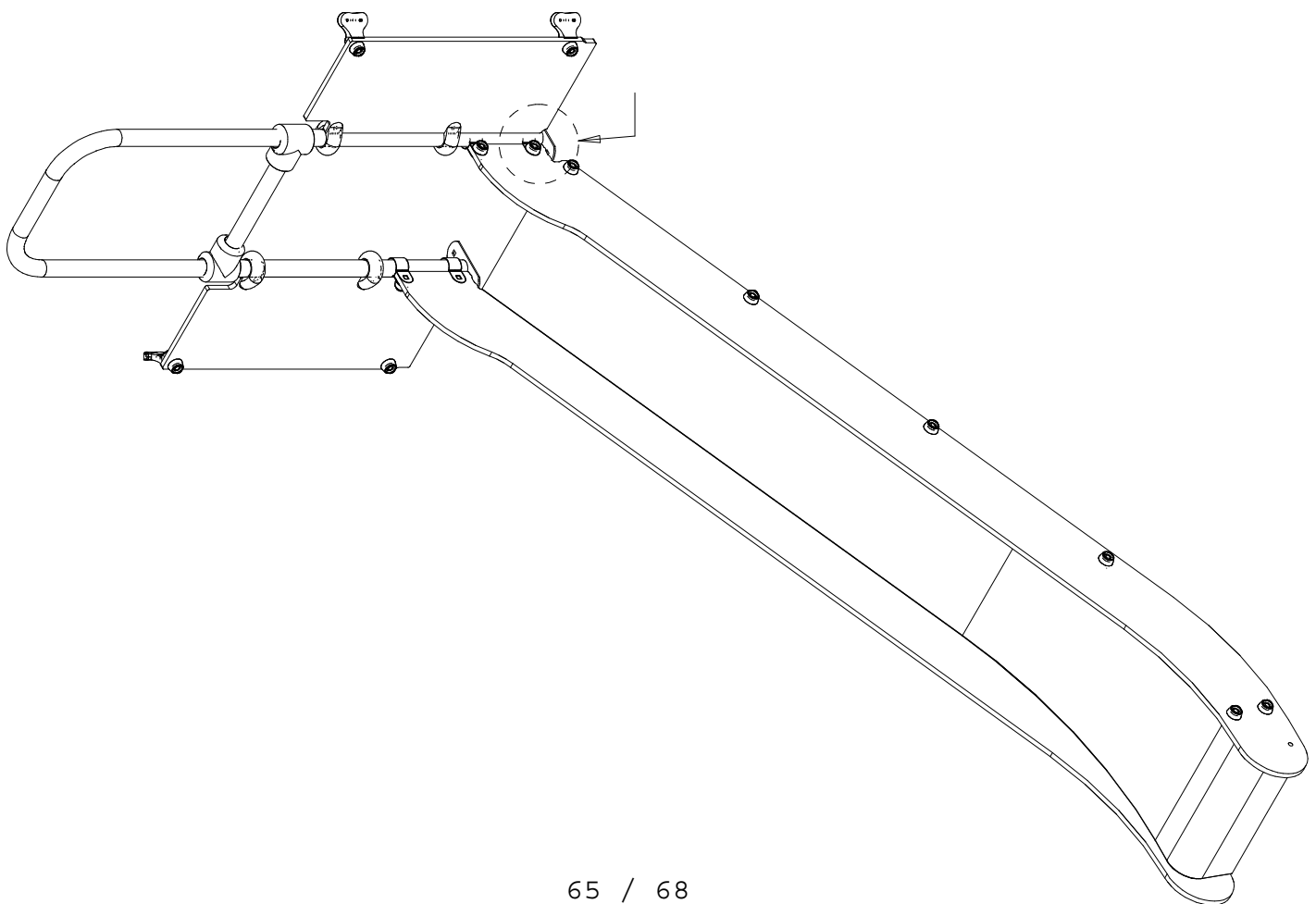




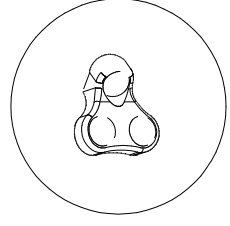






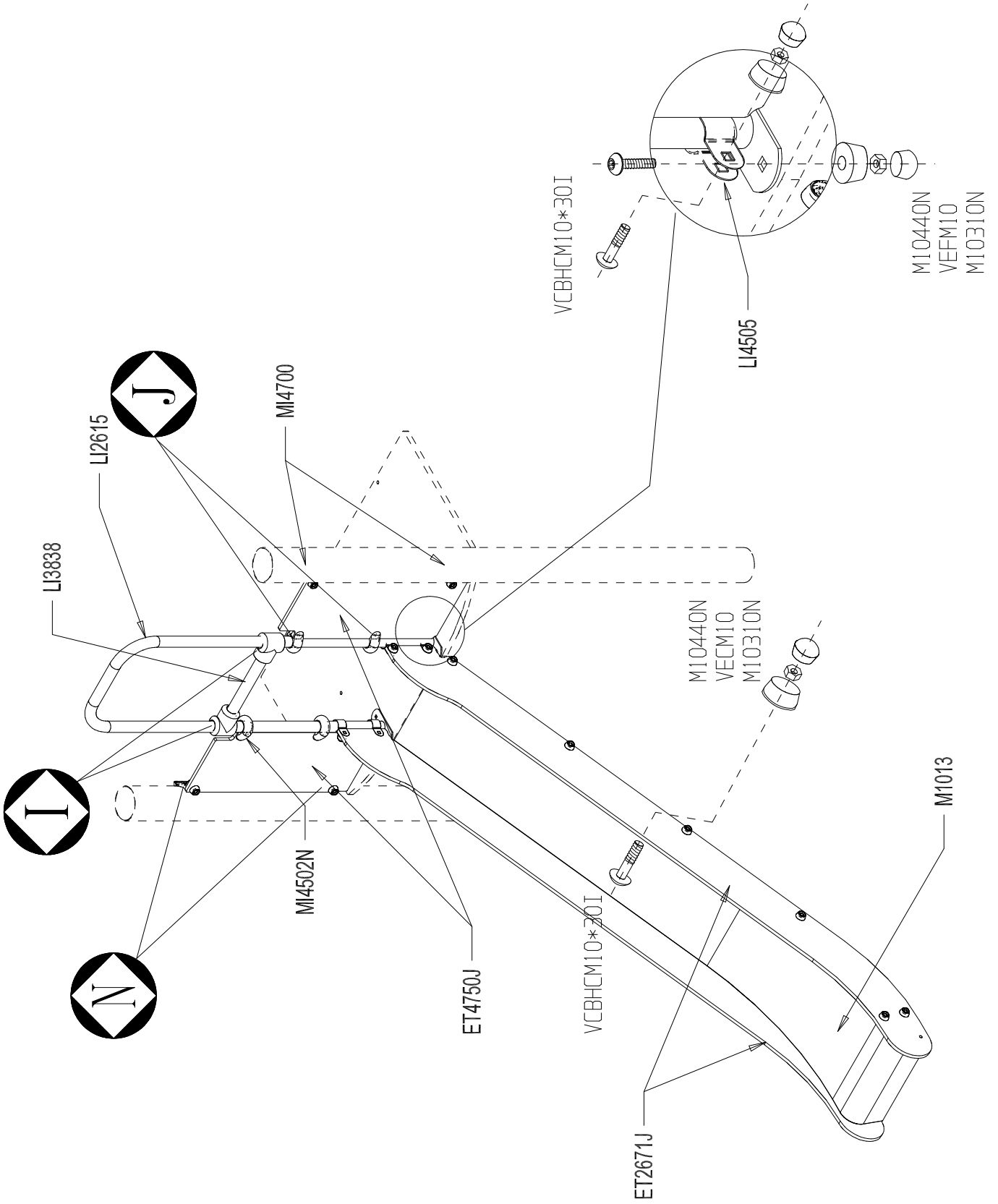


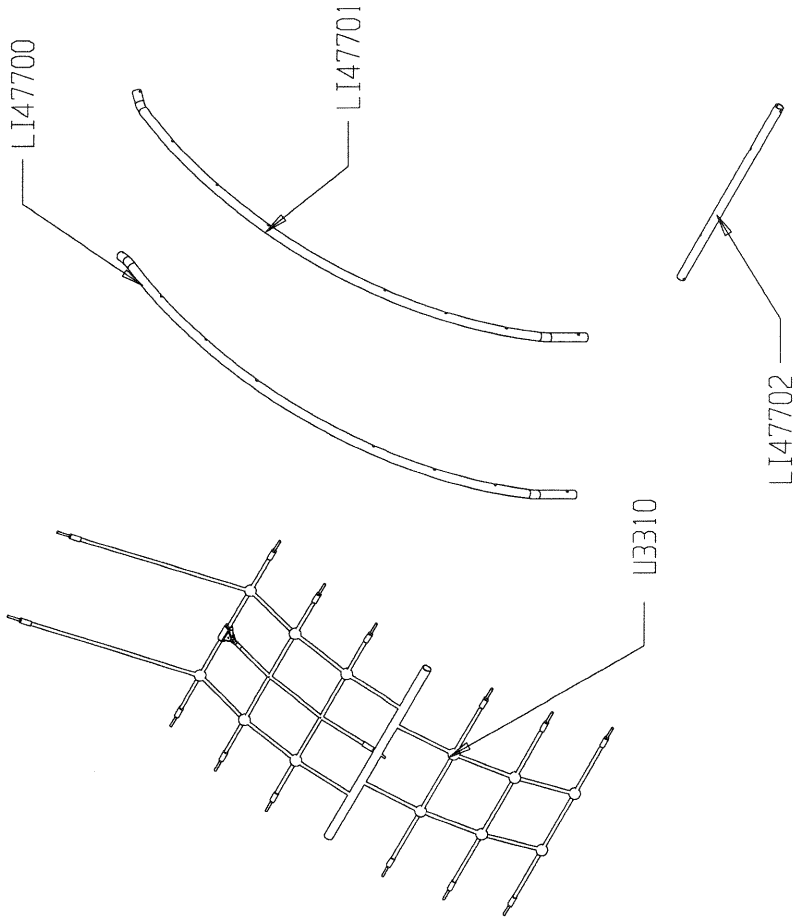
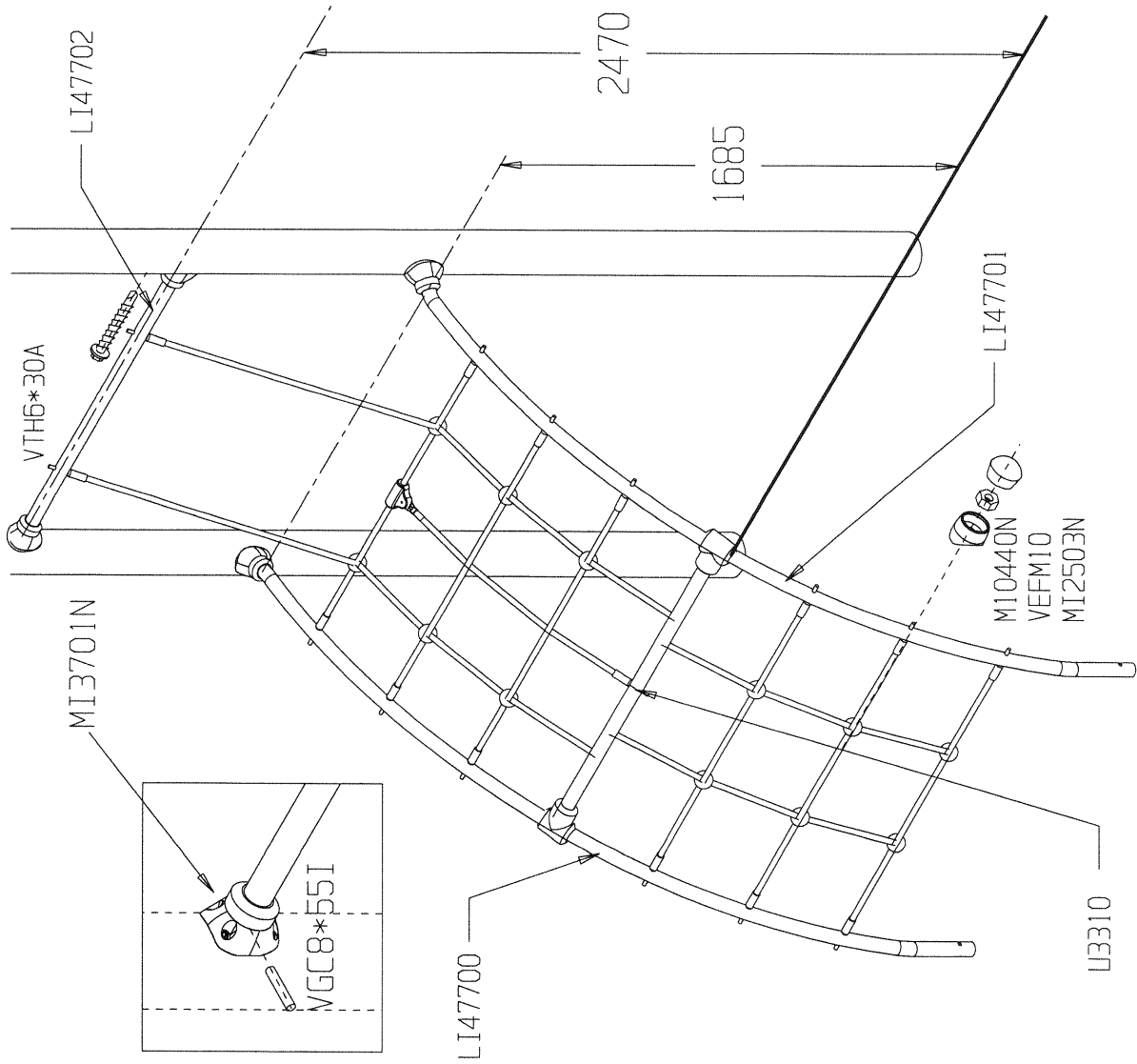
MI4700 X 4



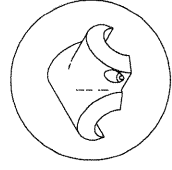
LI4505 X 4

	VCBHC10*30I	22
	VCZX 6x25	8
	VEBM6	8
	VTH6*30A	8
	M10310N	22
	M10440N	30
	VEFM10	22
	VEFM8	4
	VBTR8*25	4
	MI4503N	8





	VEFM10	14
	MI2503N	14
	M10440N	14
	VCZX 6x25	8
	VEBM6	8
	VGC8*55I	4
	VTH6x30A	16
	MI3701N	4



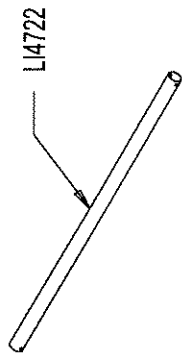
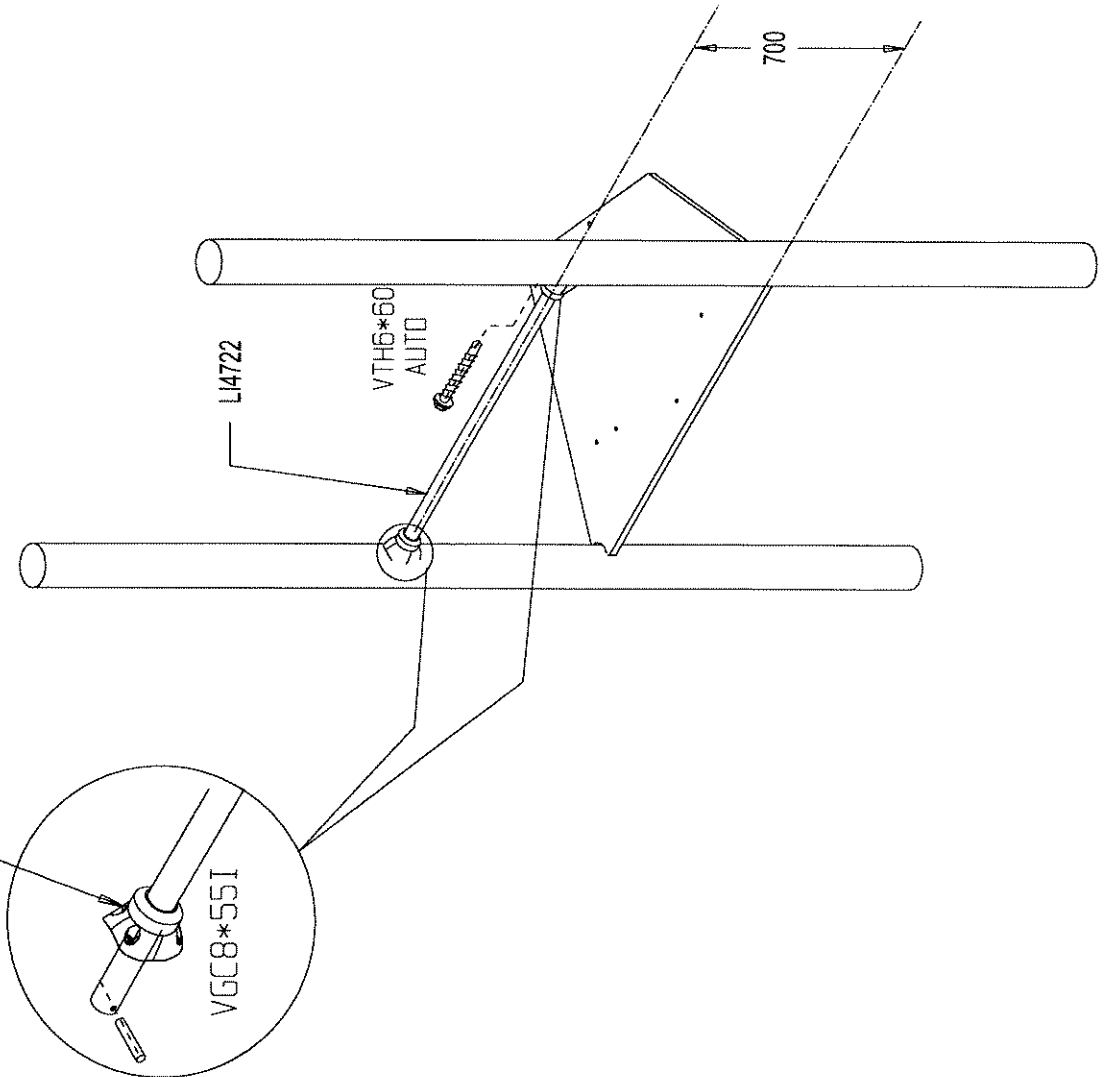
MI2502N X 4


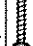

G47770

22/06/09

*Probus*

MI370IN



	VGC8*55I	2
	VTH 6x60 AUTO	8
	MI370IN	2