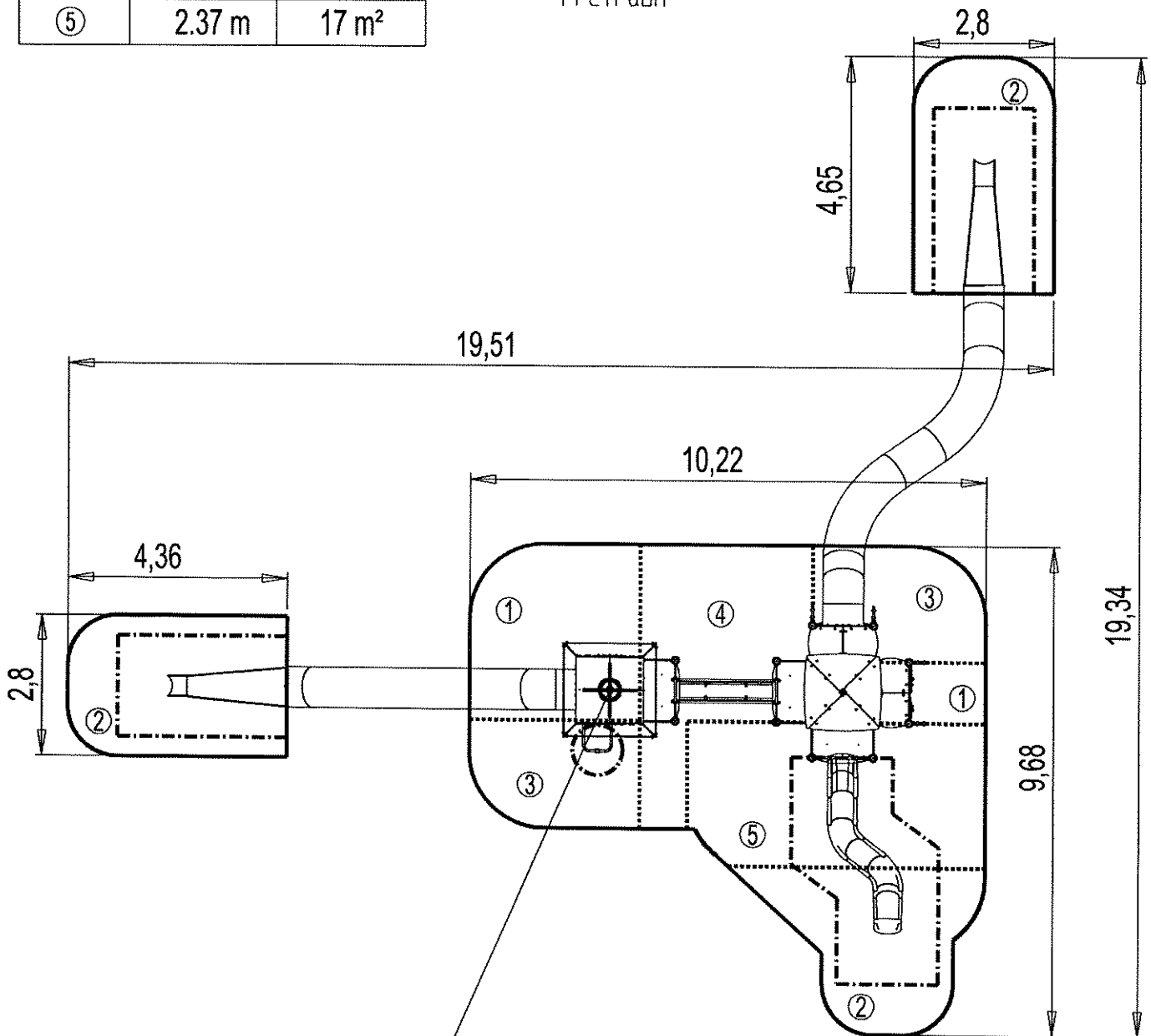


N°		
①	0.97 m	15.5 m <sup>2</sup>
②	1 m	35 m <sup>2</sup>
③	1.17 m	14.5 m <sup>2</sup>
④	1.77 m	14 m <sup>2</sup>
⑤	2.37 m	17 m <sup>2</sup>

— Zone d'Impact  
Impact Area  
Area de Impacto  
Fallraum

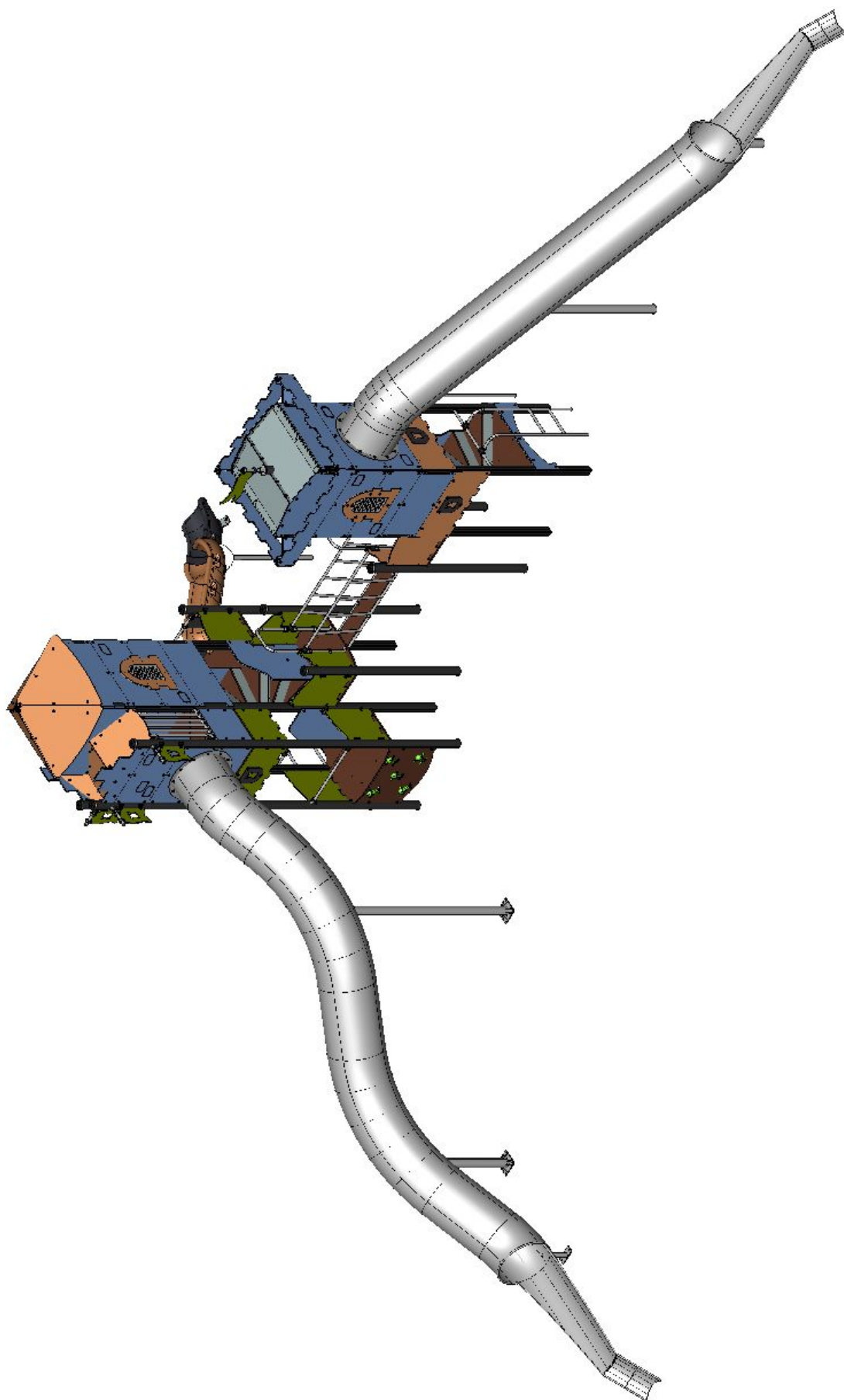
EN 1176-1 : 2017  
EN 1176-3 : 2017

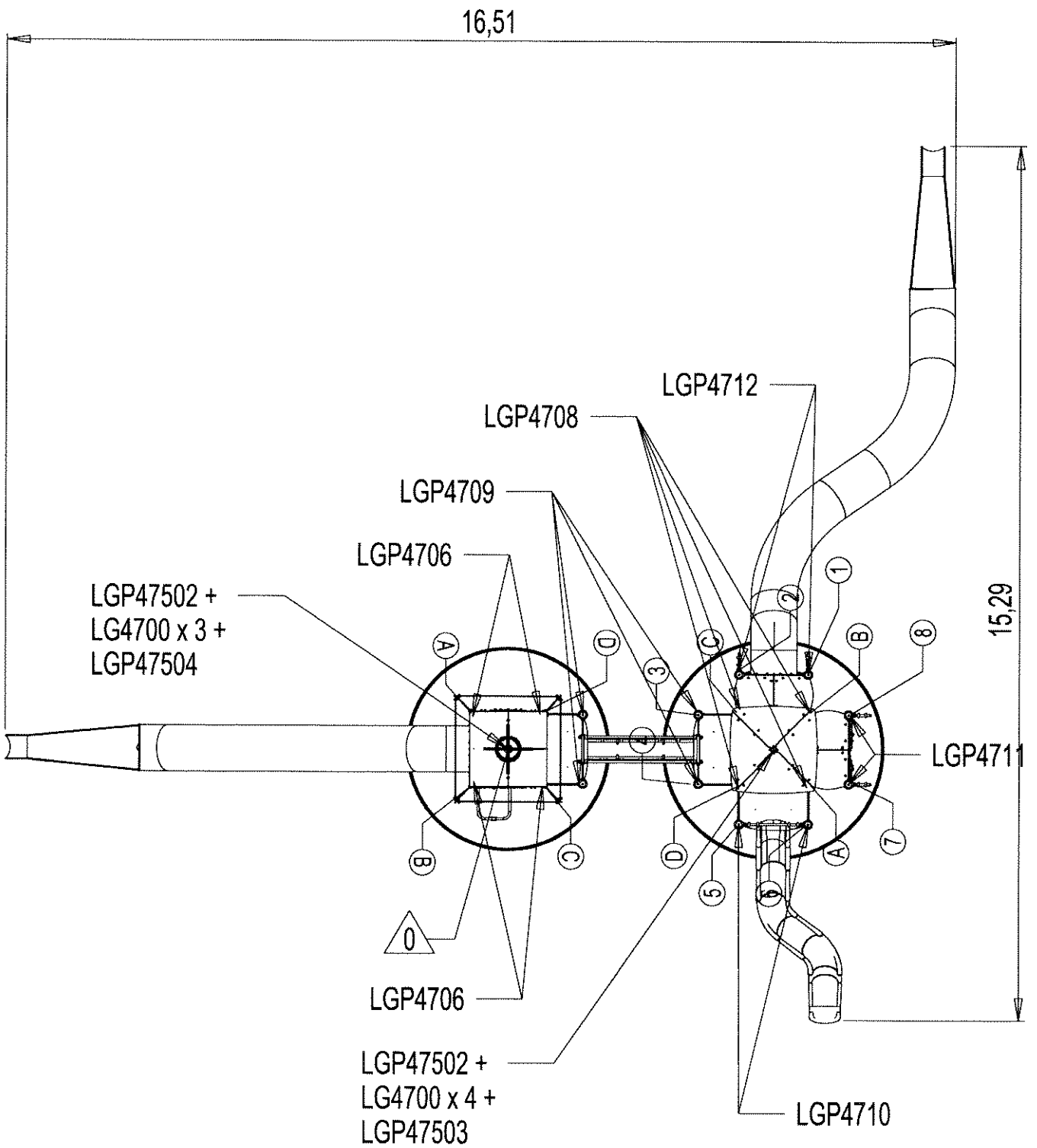
--- Espace libre  
Free Space  
Espacio Libre  
Freiraum

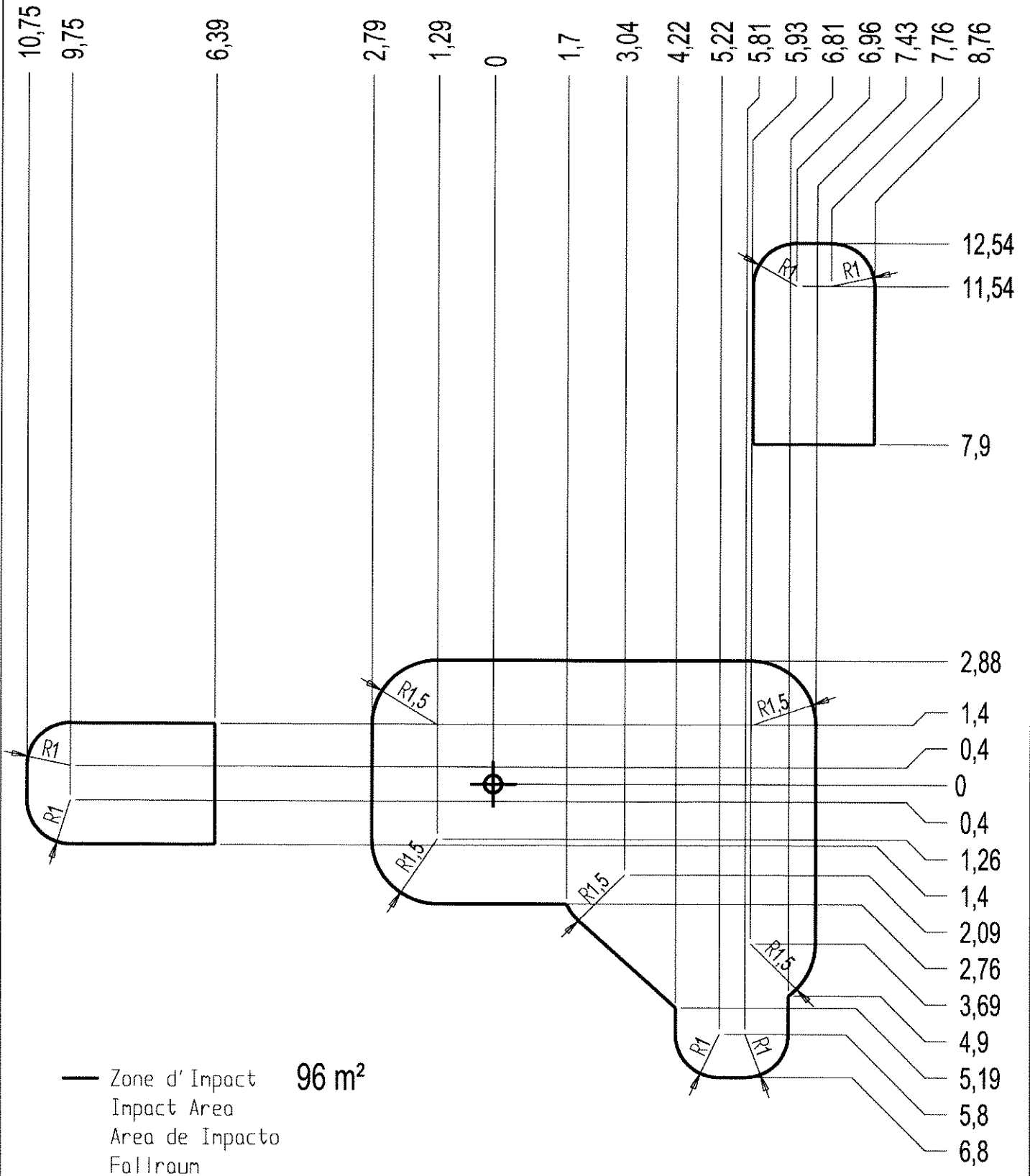


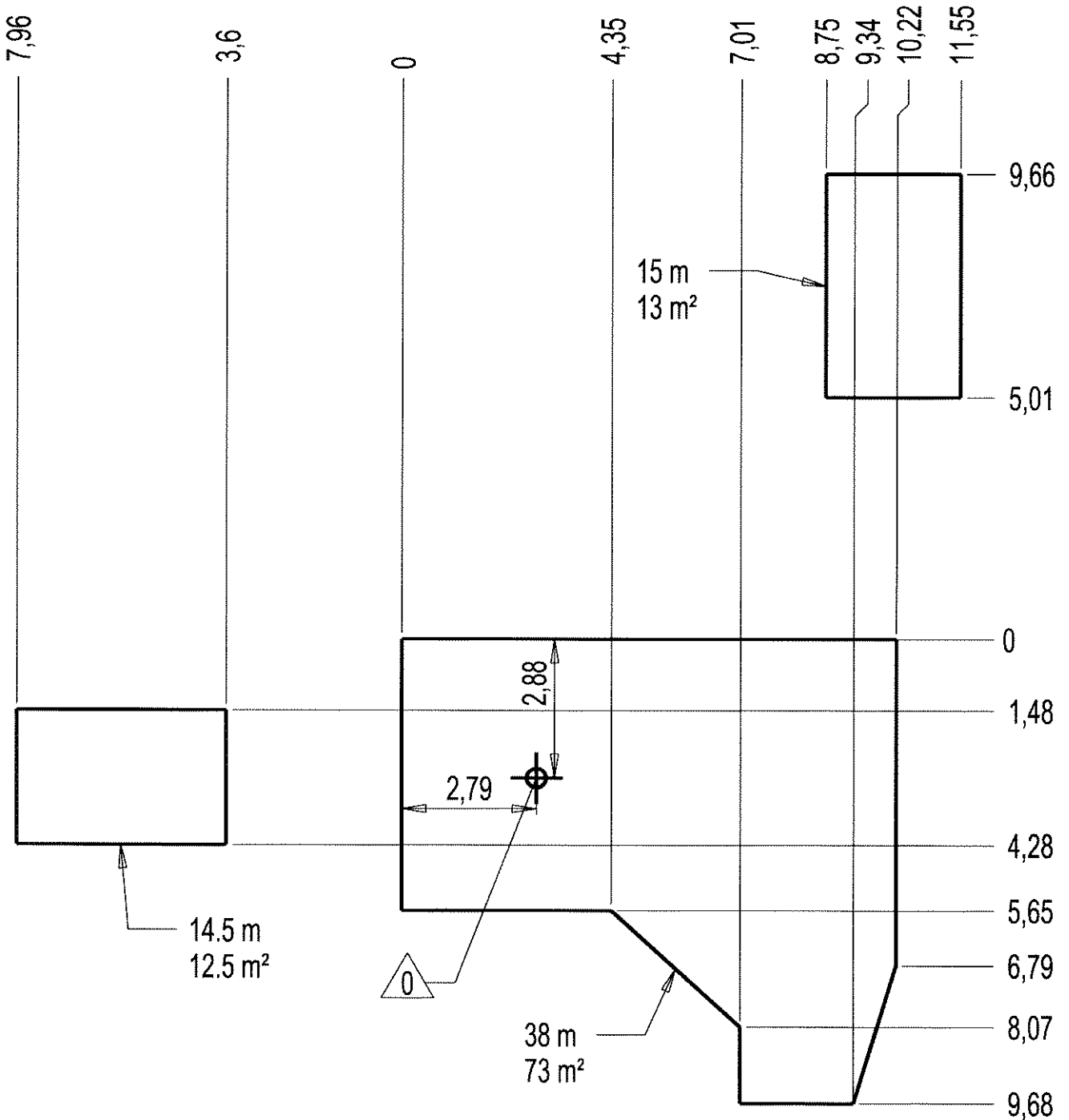
Point de Référence  
Setting Out Point  
Punto de referencia  
Bezugspunkt





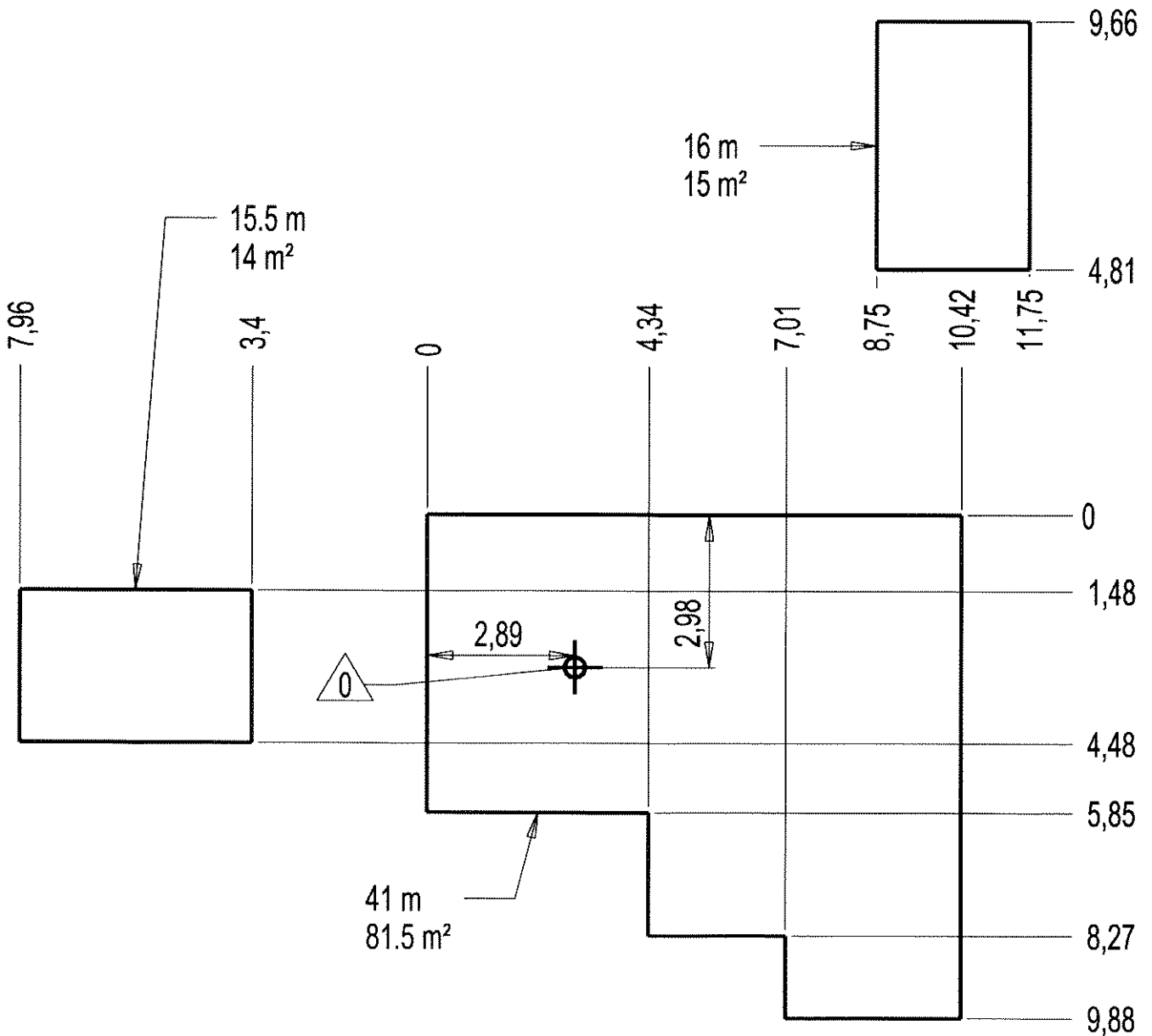






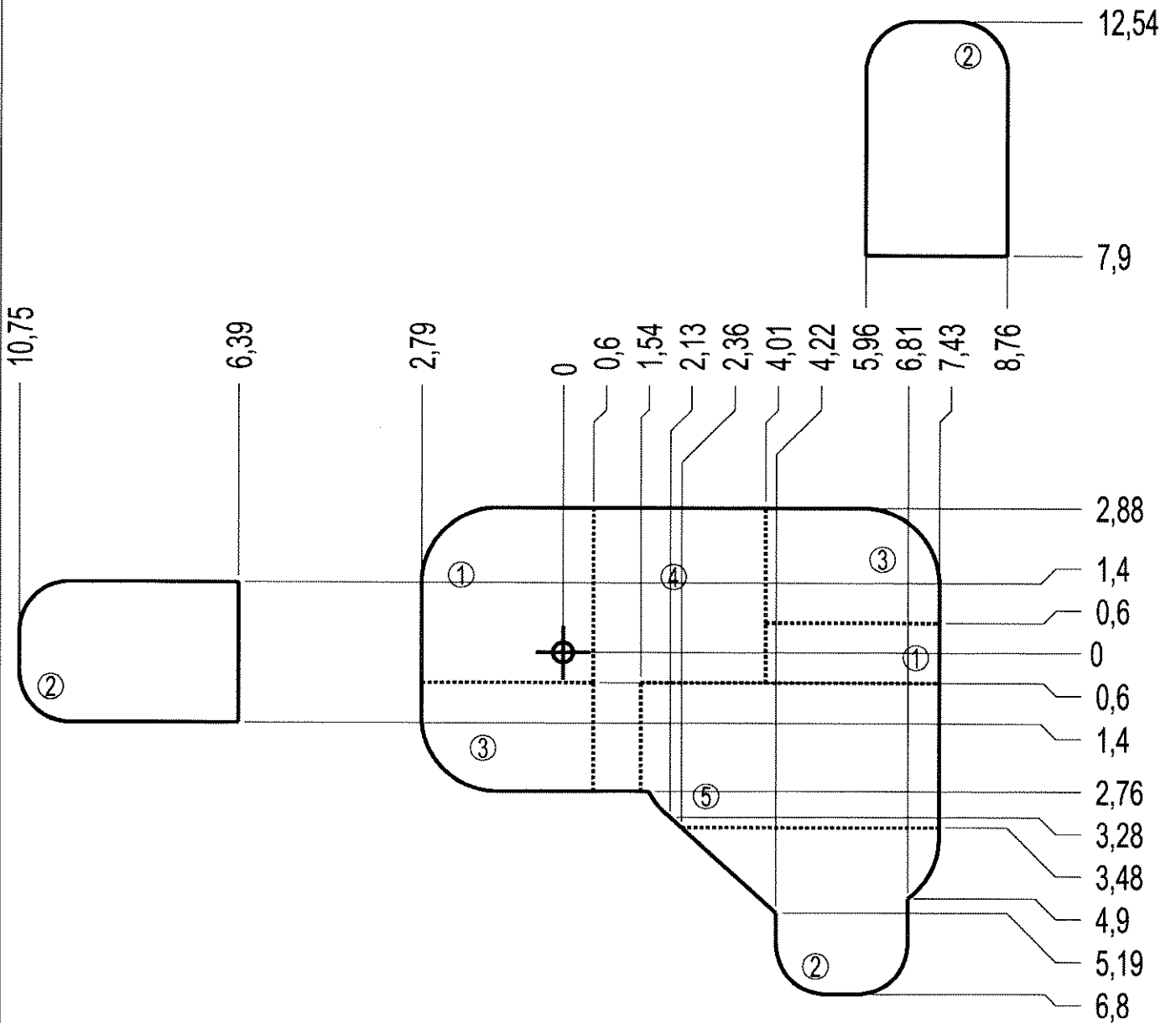
— Dalle béton  
 Concrete pad  
 Solera de Hornigón  
 Beton Bodenplatte

67,5 m  
 98,5 m²

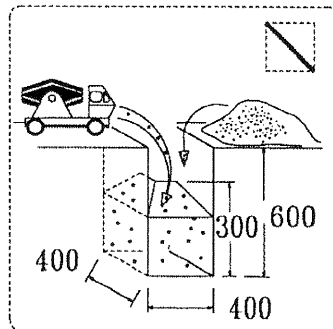
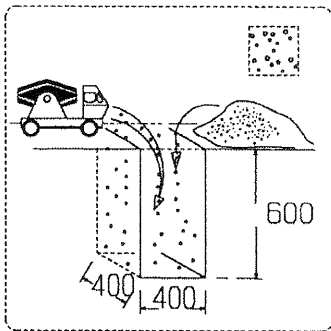
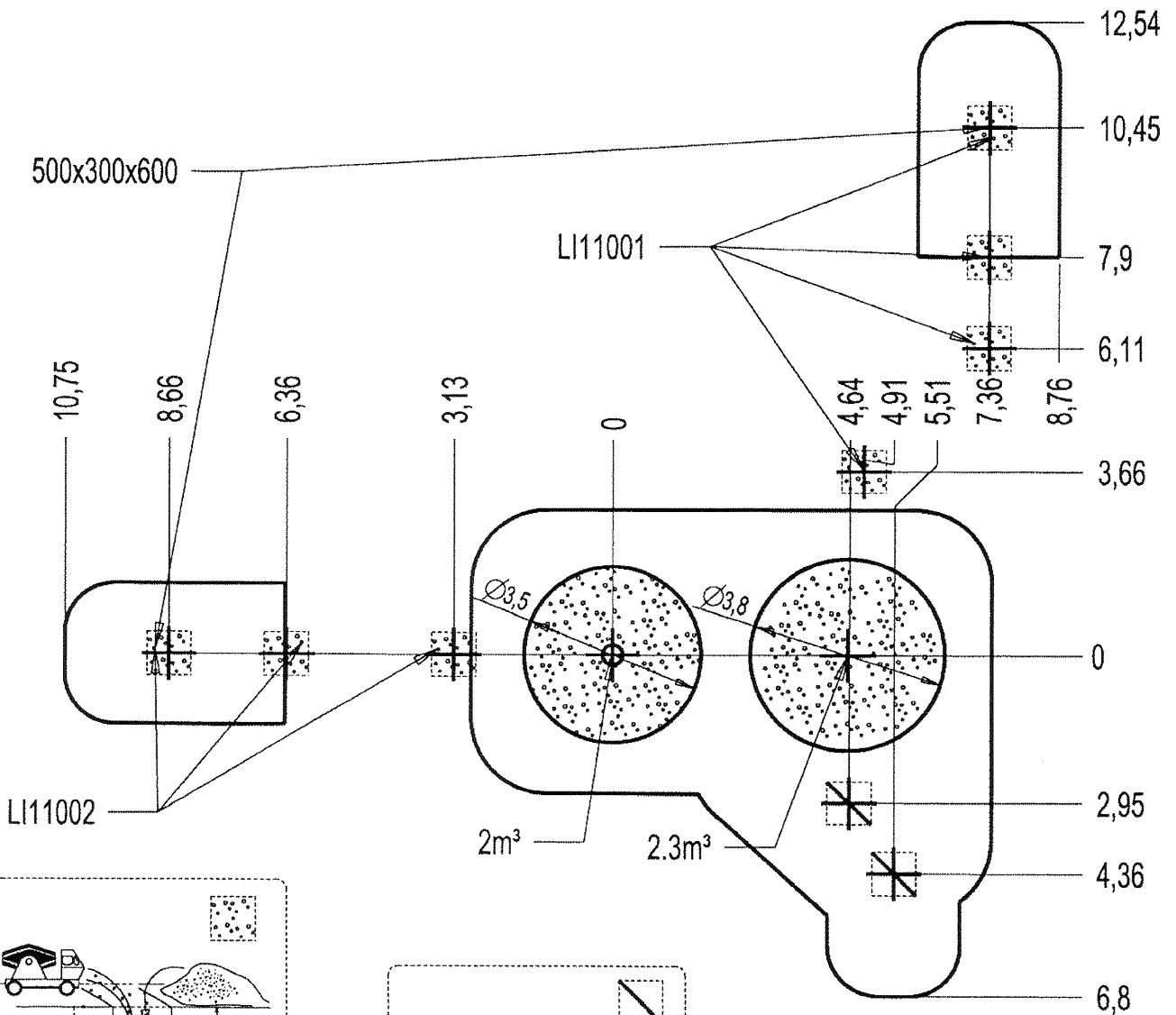
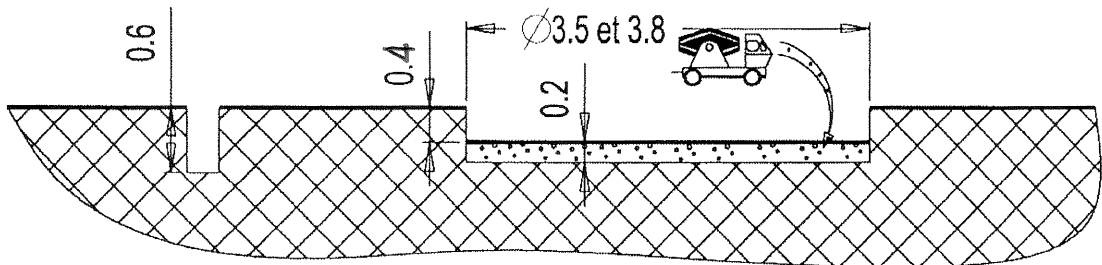


- Sol fluent
  - Loose particle material
  - Arenero
  - Loses Bodennmaterial
- 72,5 m
- 110,5 m<sup>2</sup>

— Sol souple 96 m<sup>2</sup>  
 Wetpour  
 Caucho Continuo  
 Synthetischer Fallschutz

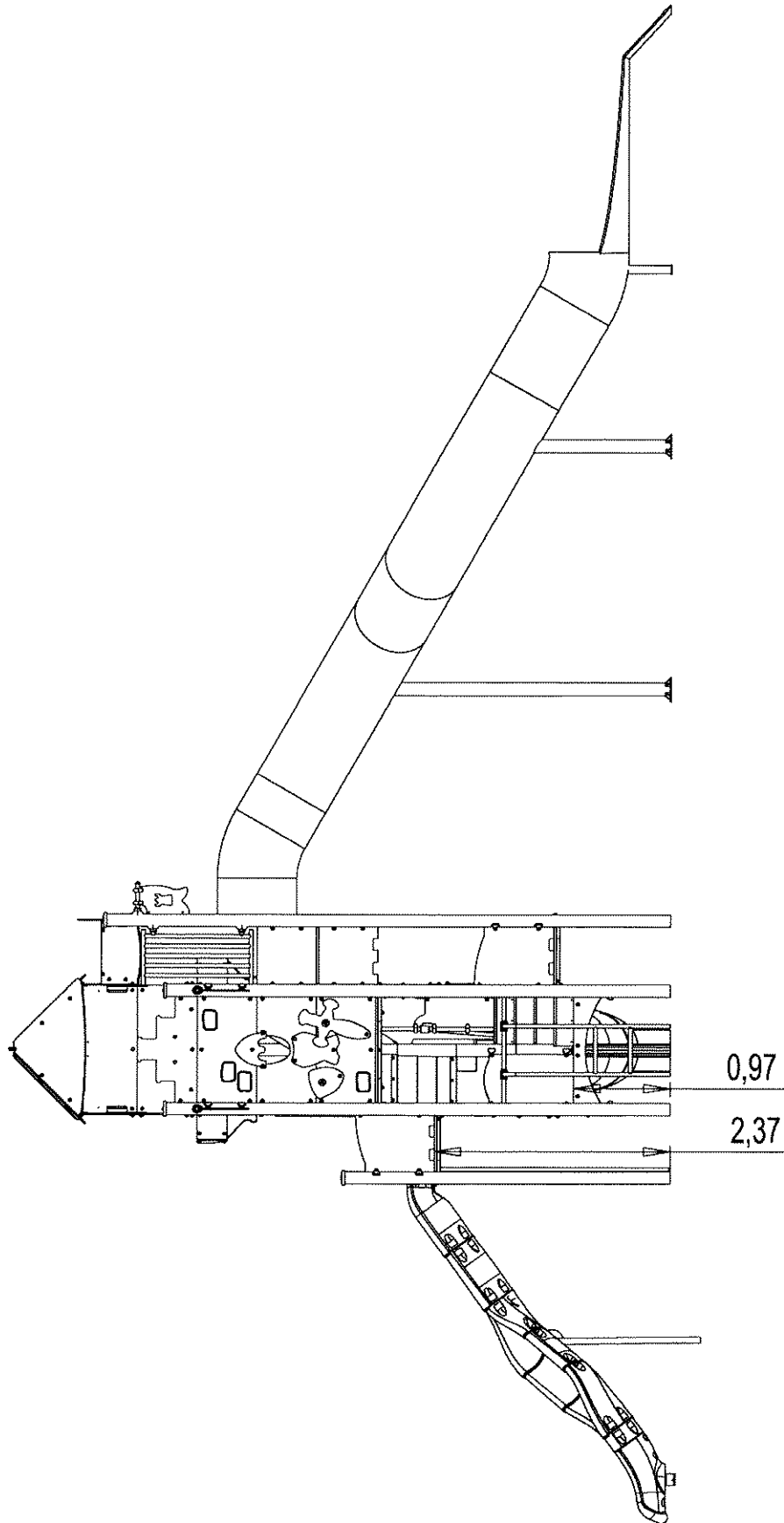


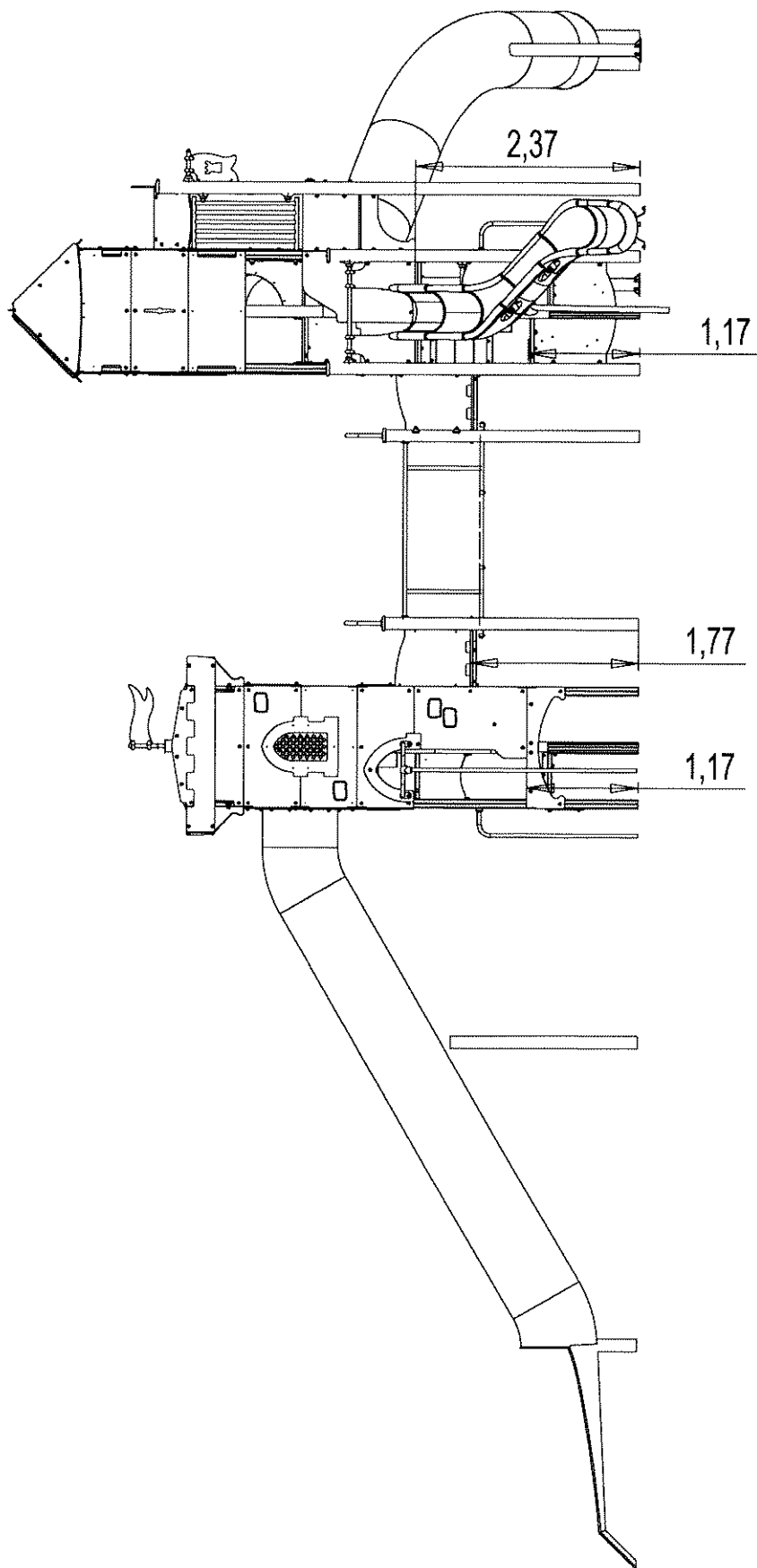




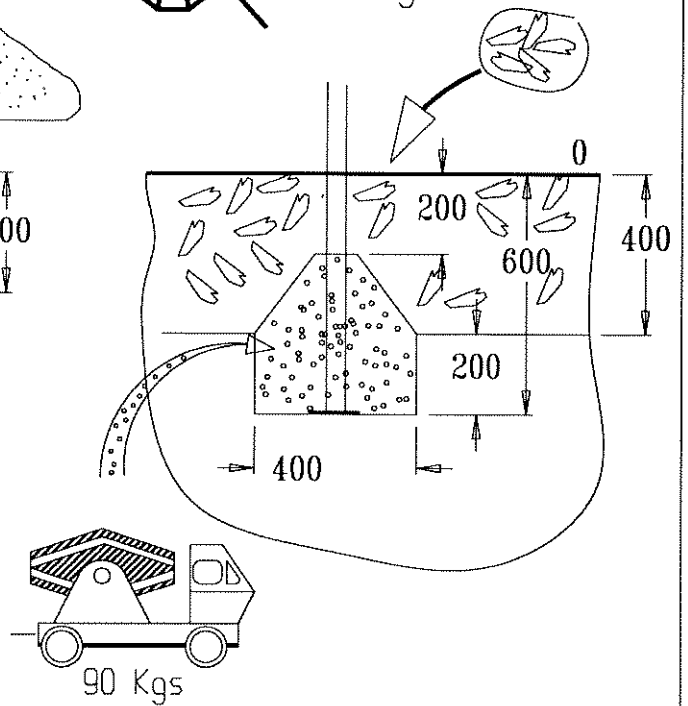
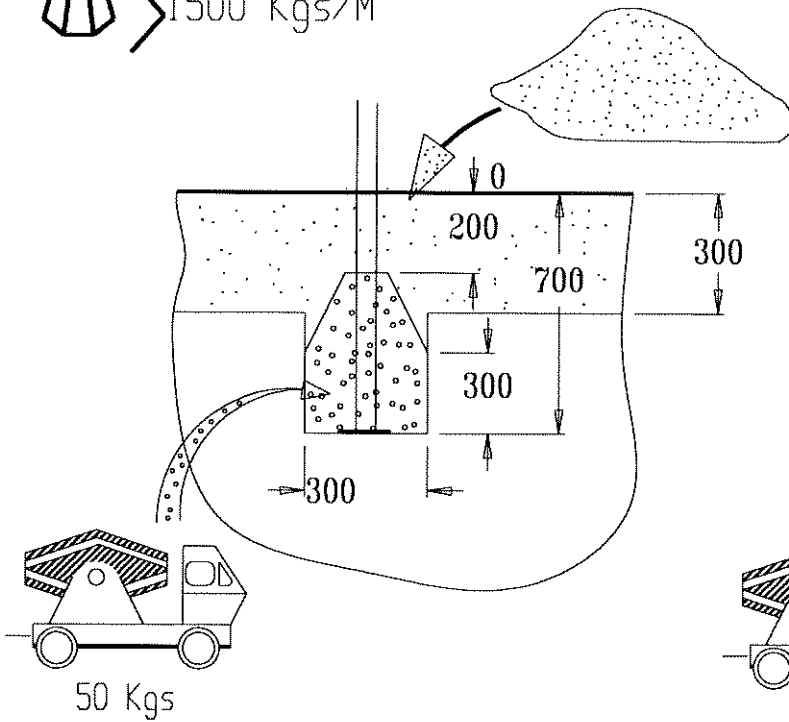
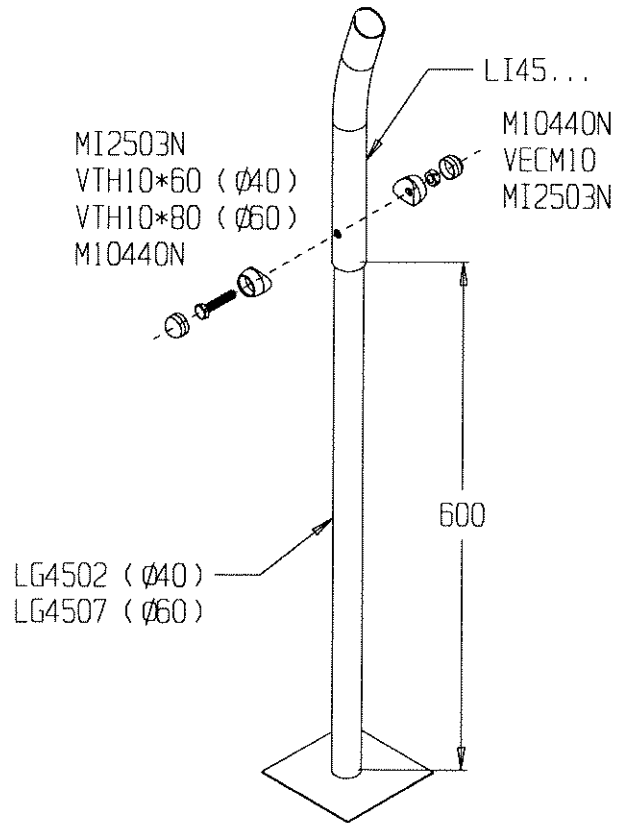
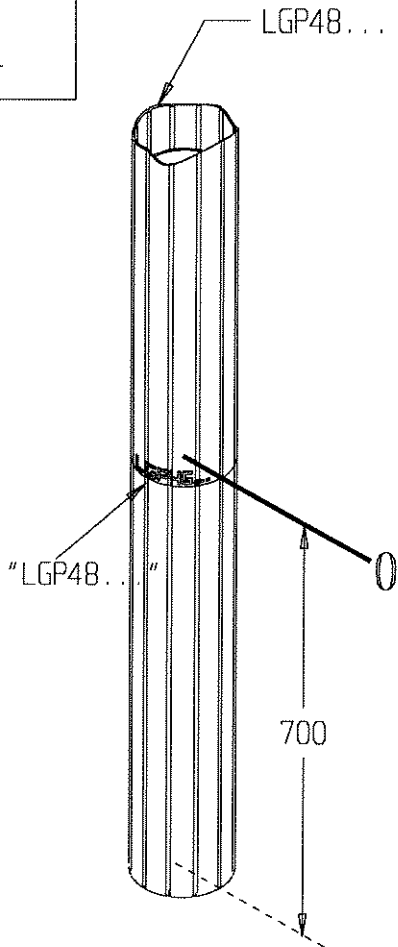
x4  
 300H  
 5.1m³

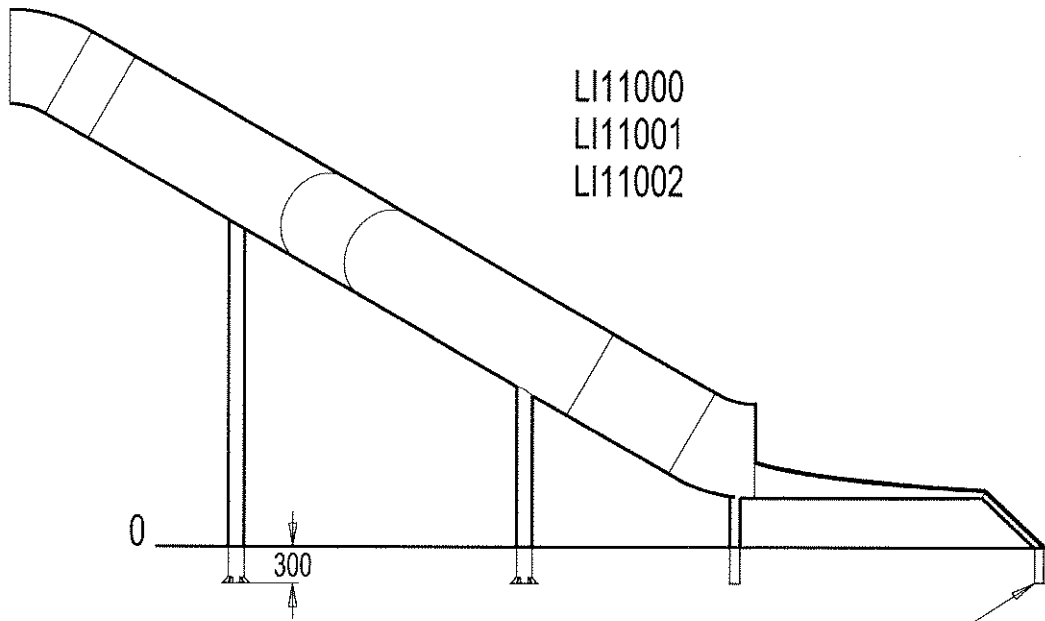
Implantation  
 Footing plan  
 Implantación  
 Fundamentplan



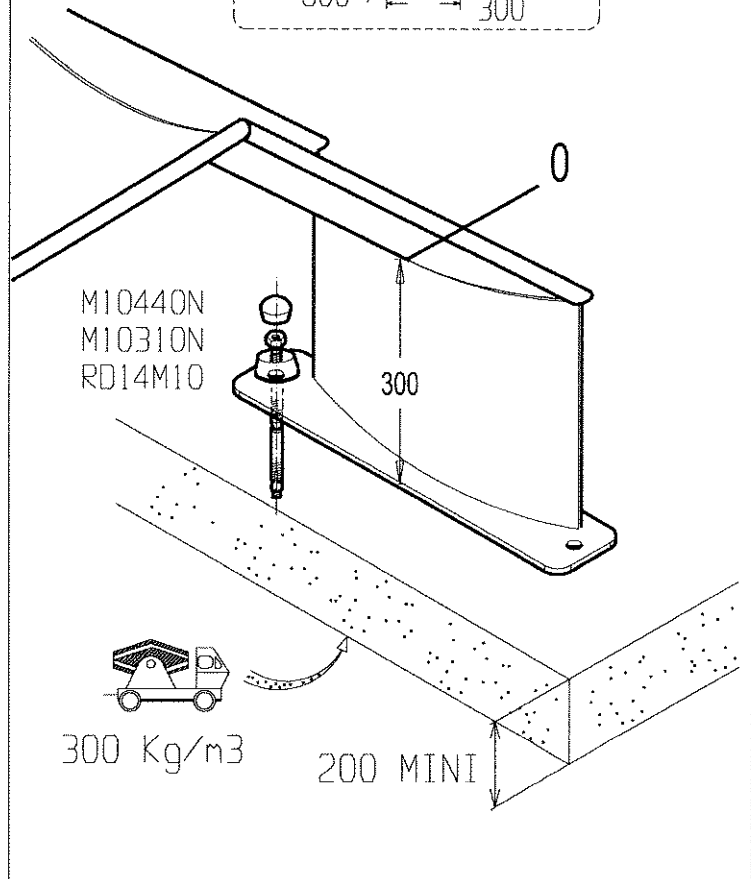
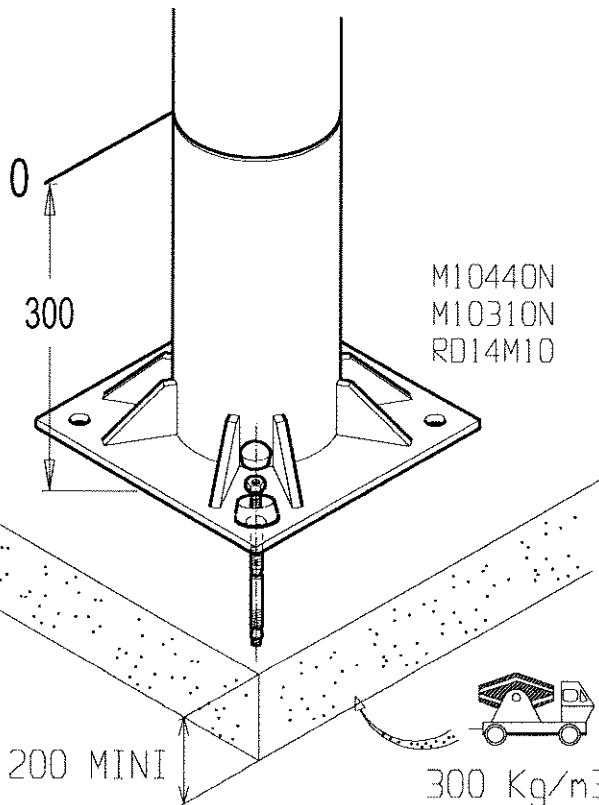
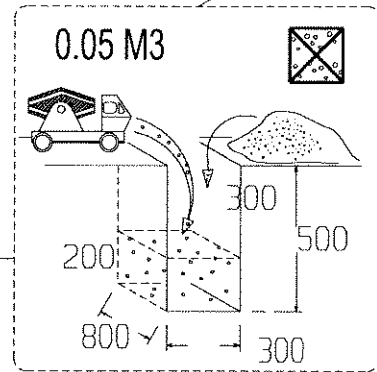
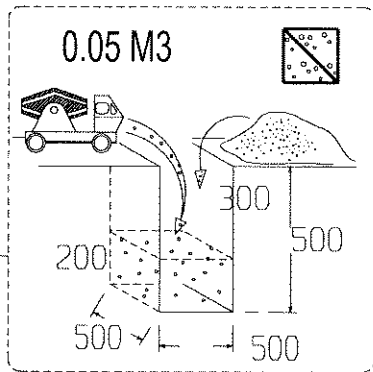


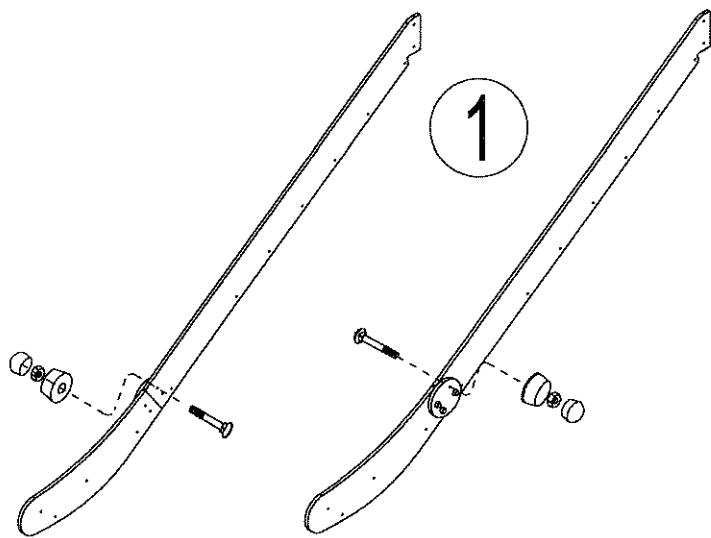
A



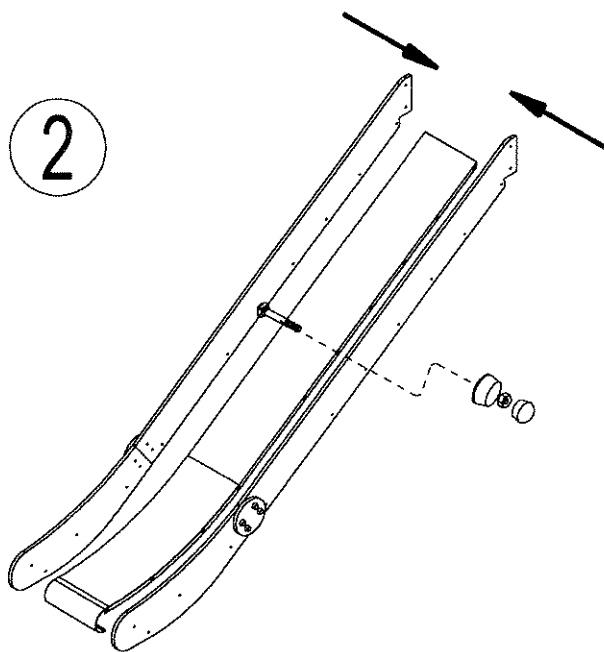
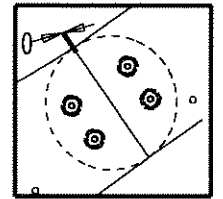
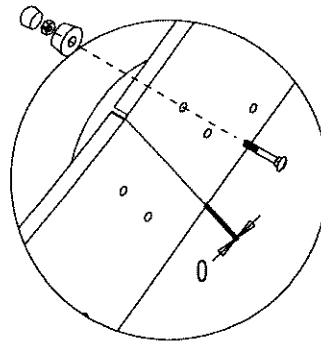


L111000  
L111001  
L111002

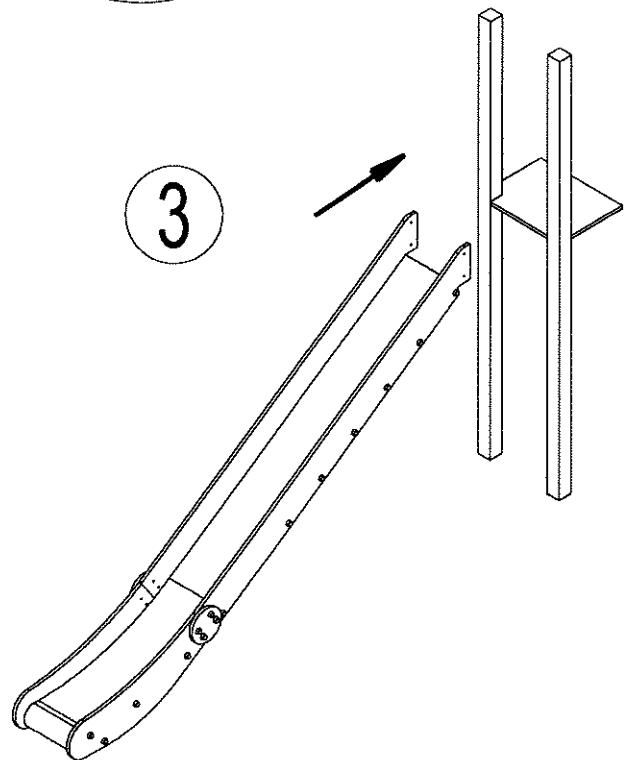




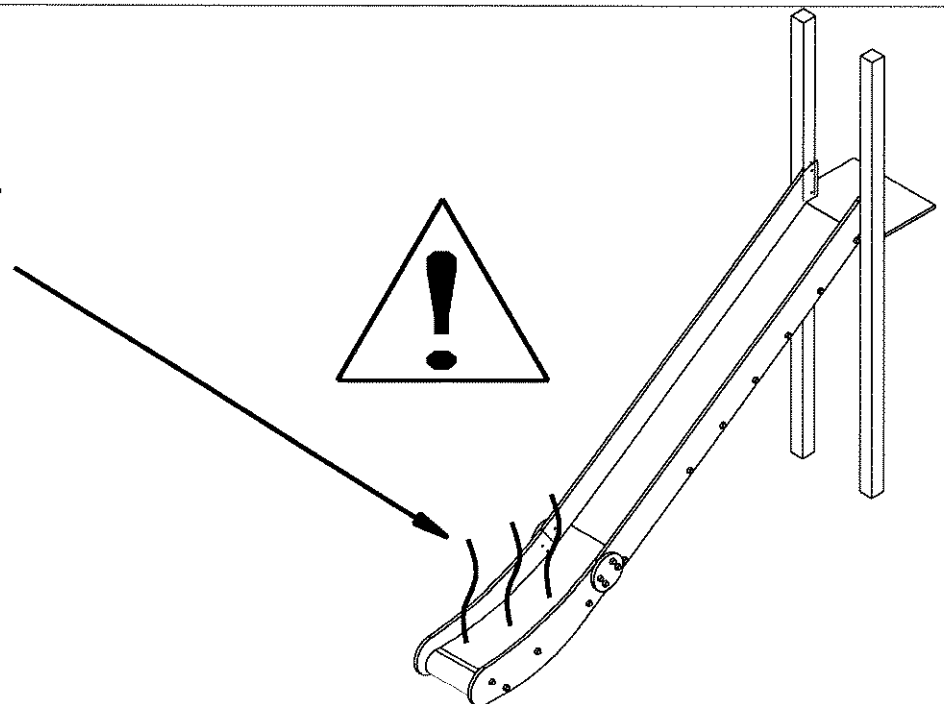
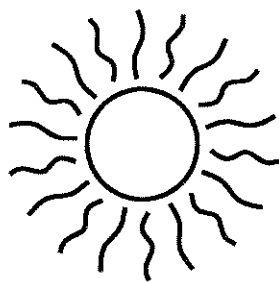
1



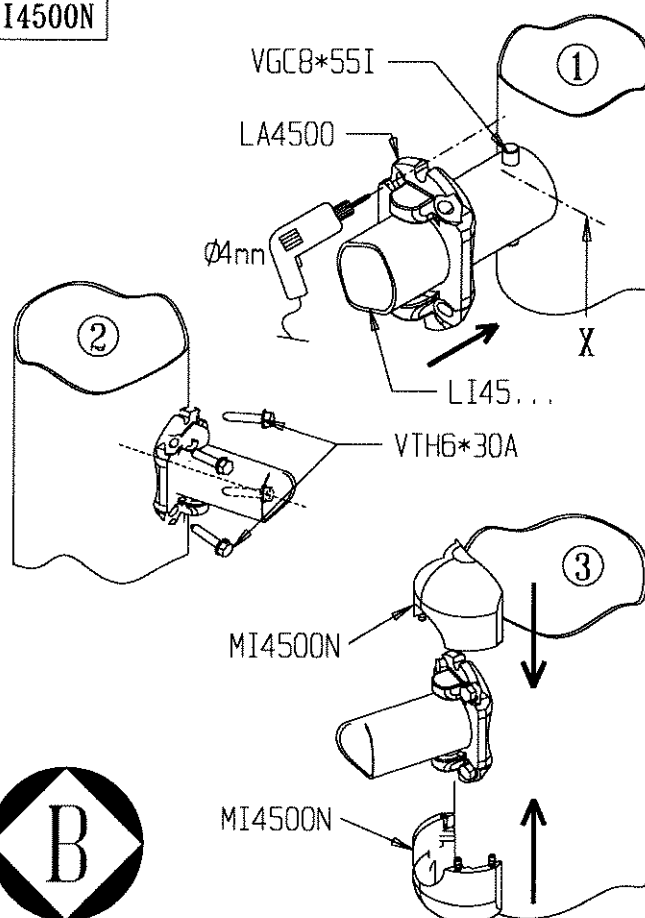
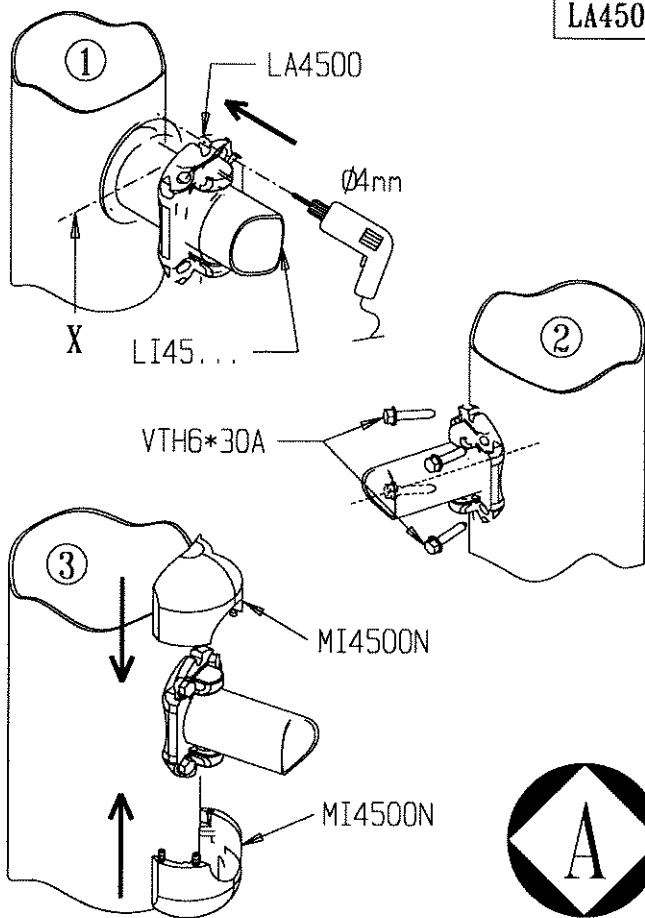
2



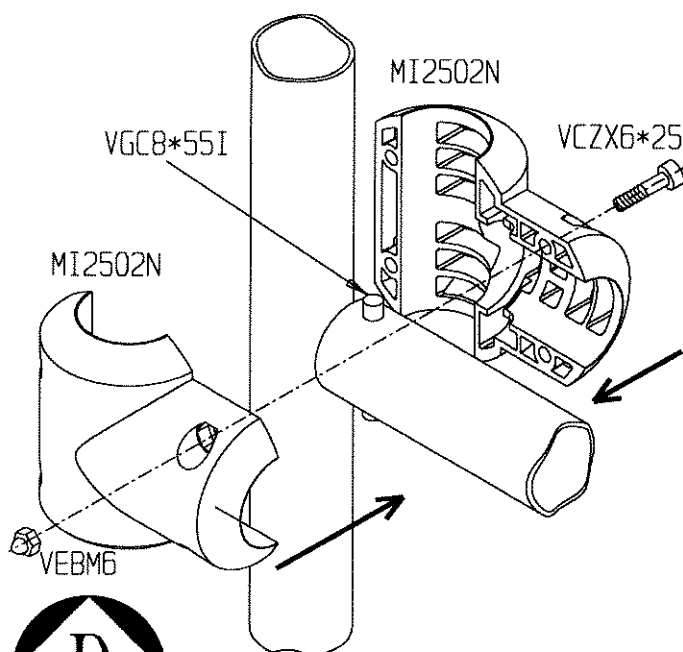
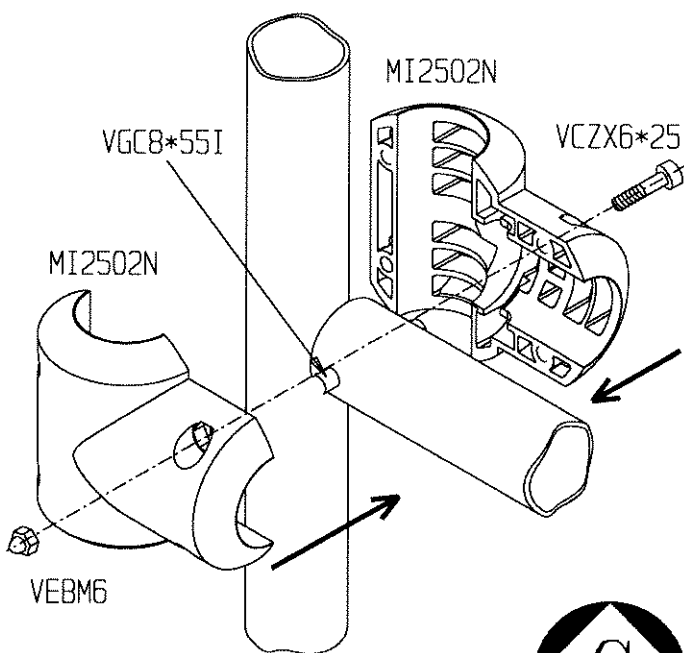
3

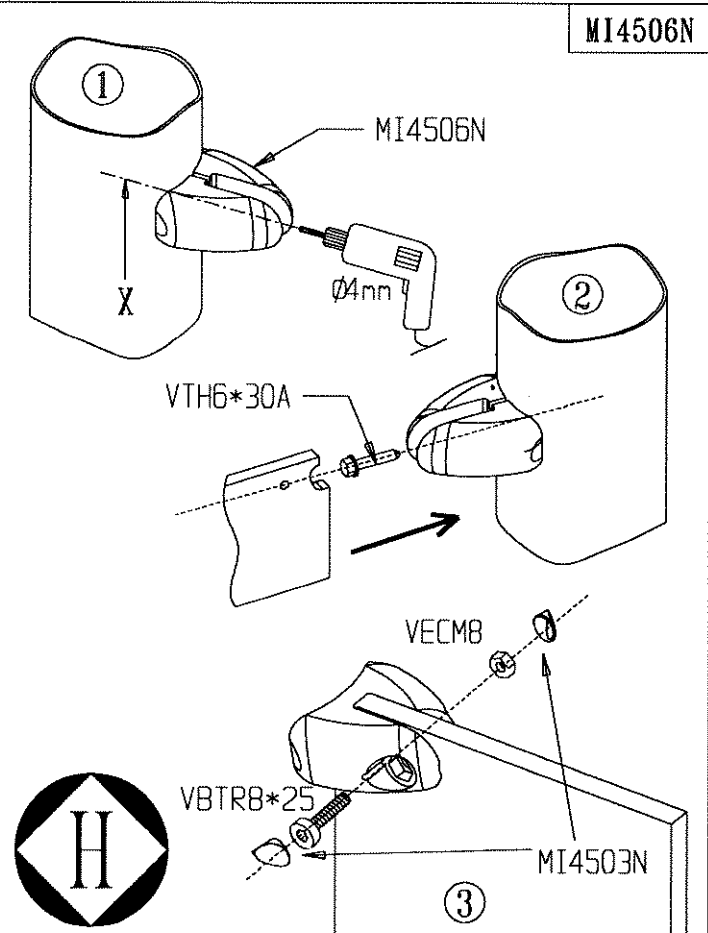
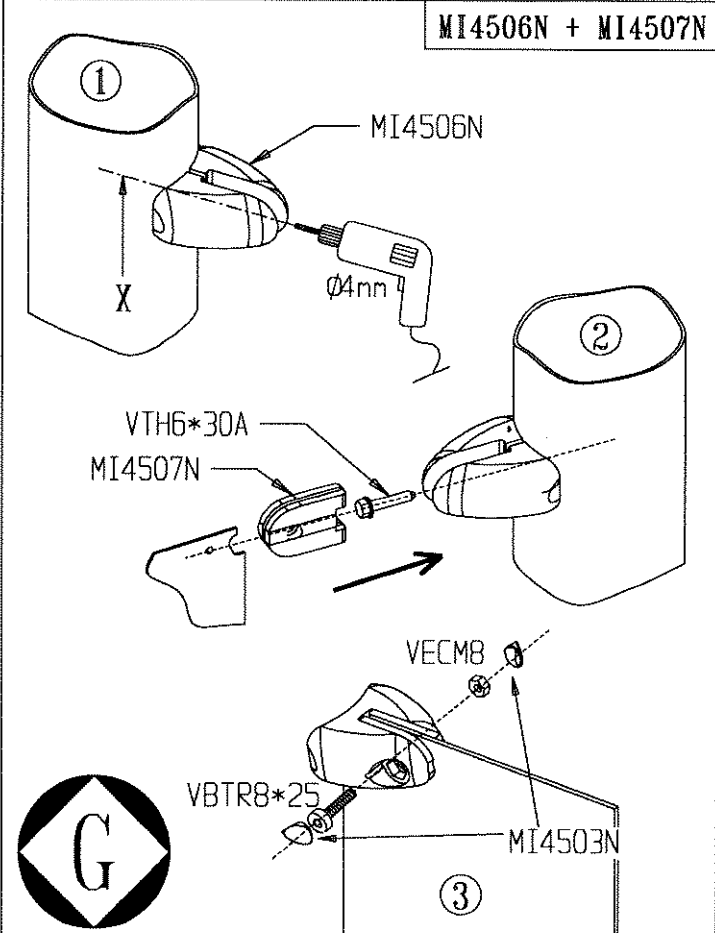
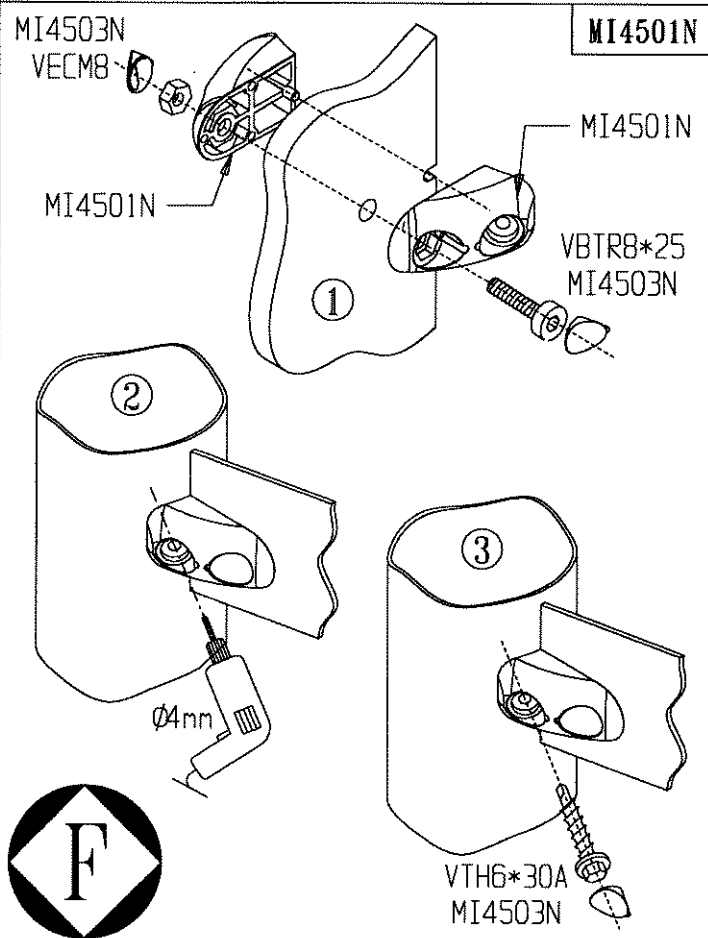
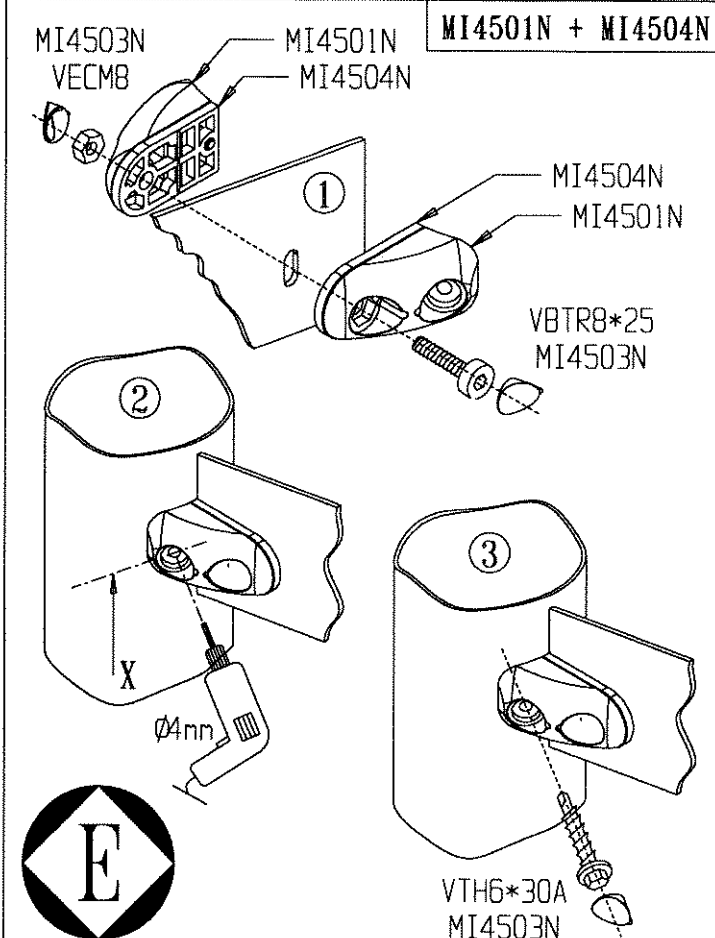


LA4500 + MI4500N



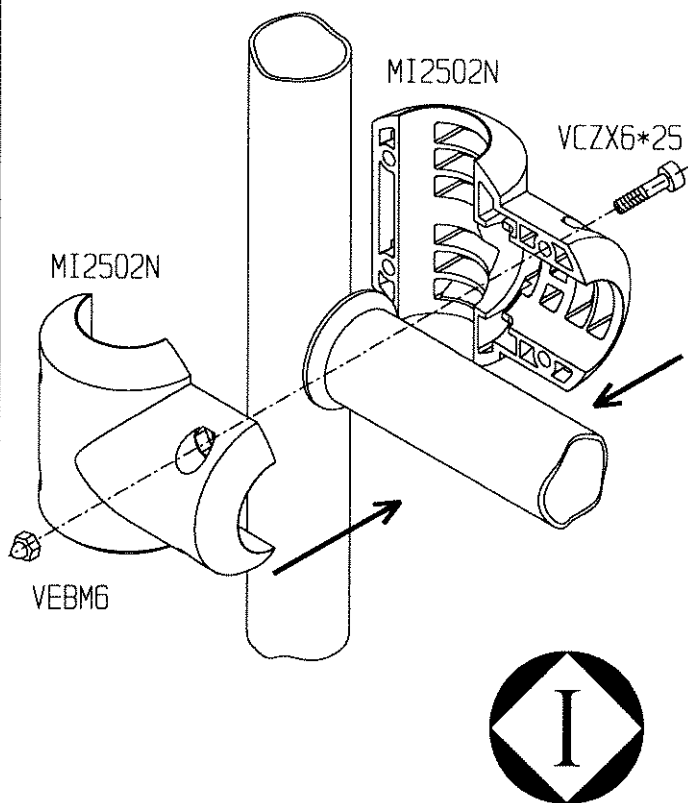
MI2502N + VGC8\*55I



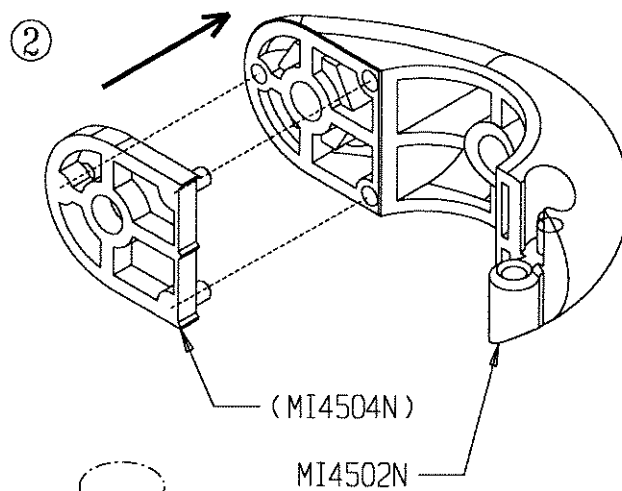
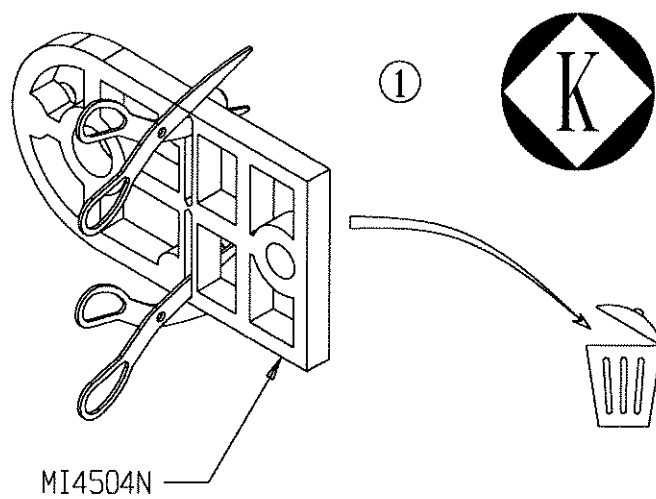




MI2502N

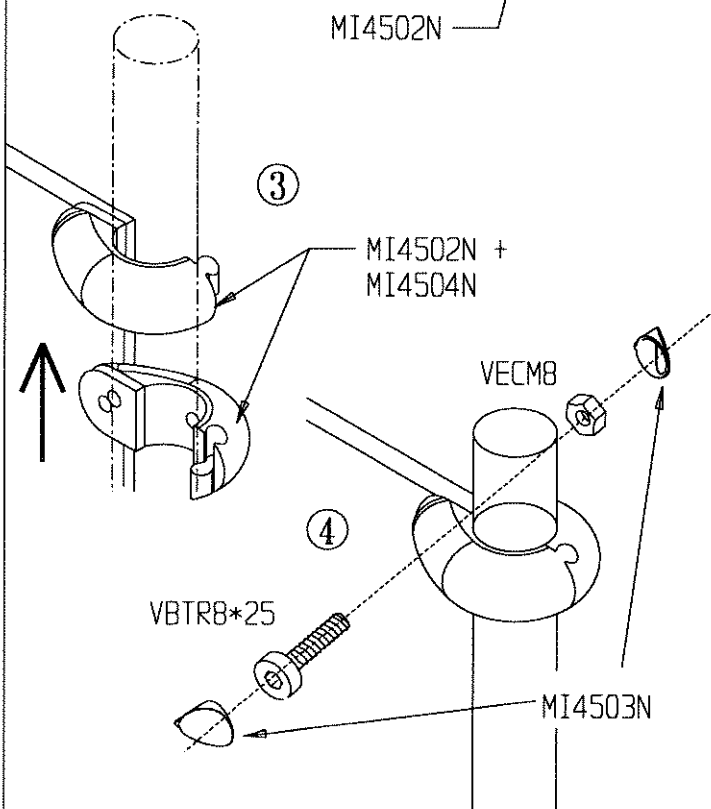
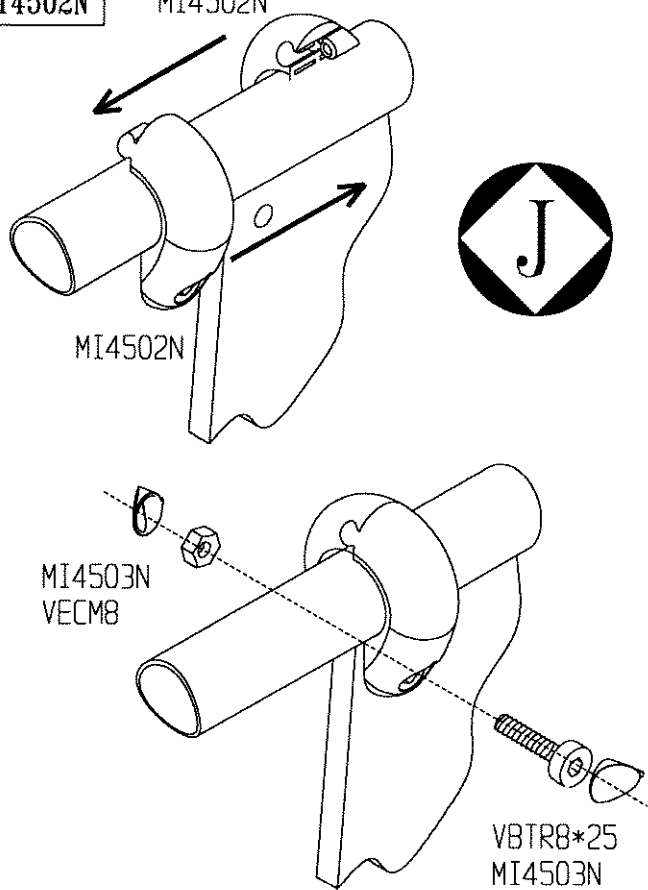


MI4502N + MI4504N

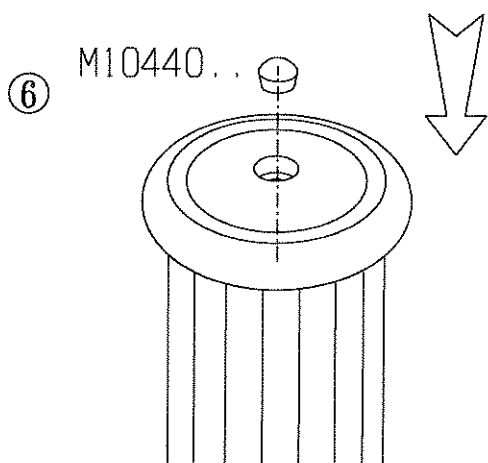
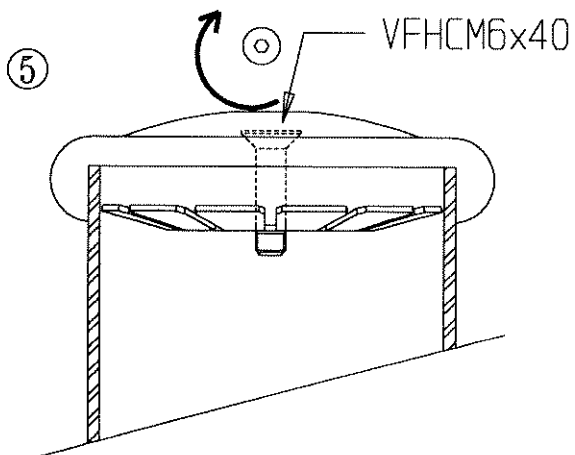
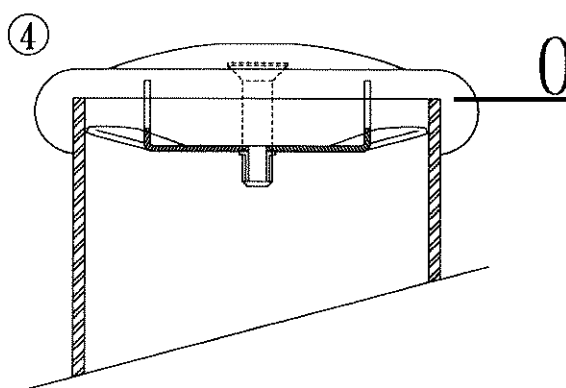
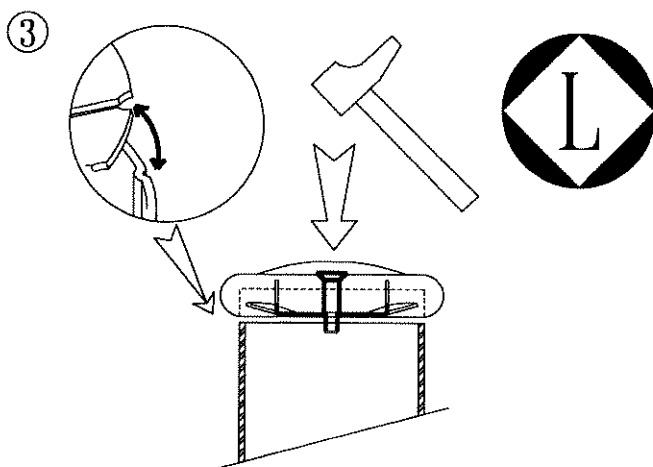
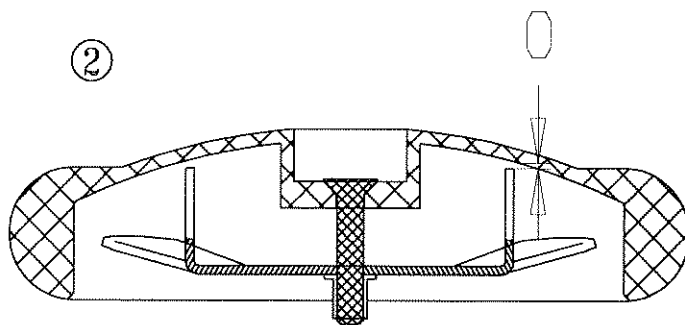
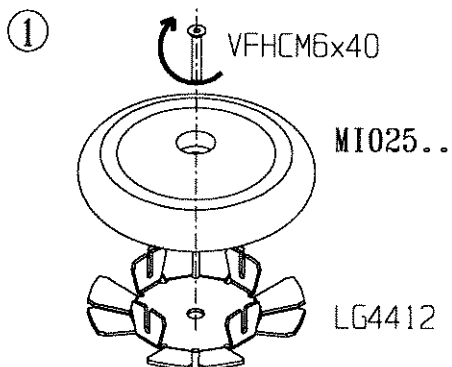


MI4502N

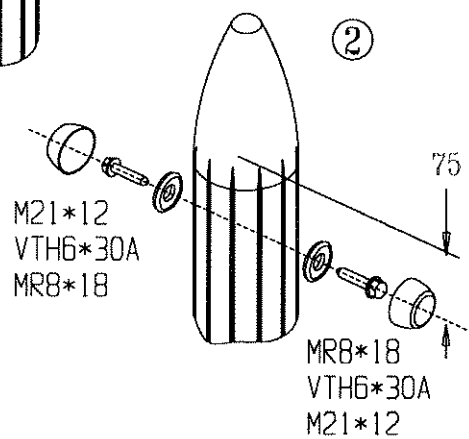
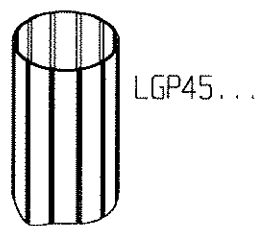
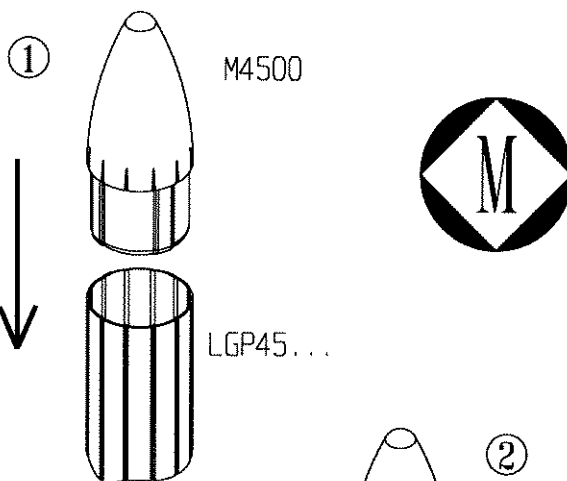
MI4502N

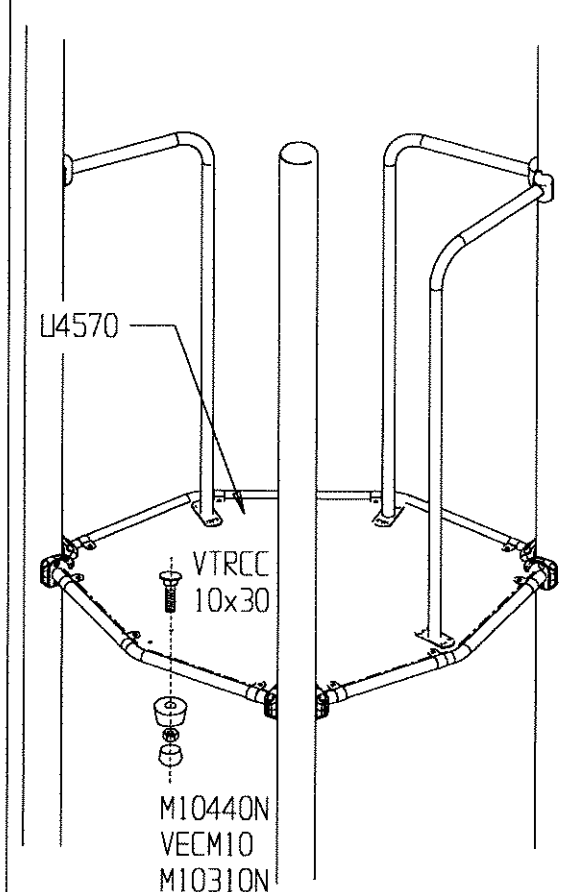



LG4412 + MI025..



M4500





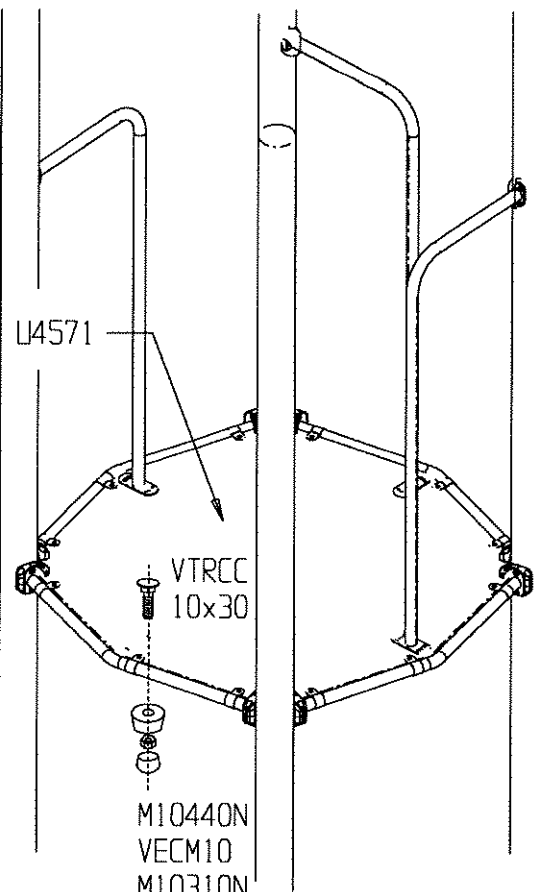


TROUS RESTES LIBRES :  
METTRE UNE VIS VTRCC10\*30.

OPEN HOLES : PUT A  
VTRCC10\*30 SCREW.

NICHT VERSTOPFTE LOCHER :  
EINE VTRCC10\*30 SCHRAUBE  
HINZUSTELLEN.

AGUJEROS A TAPAR: PONER  
UN TORNILLO VTRCC10\*30.

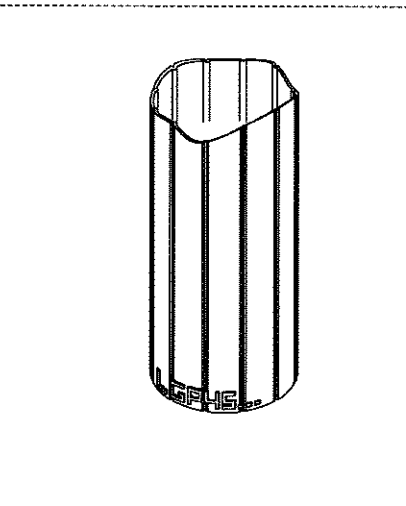
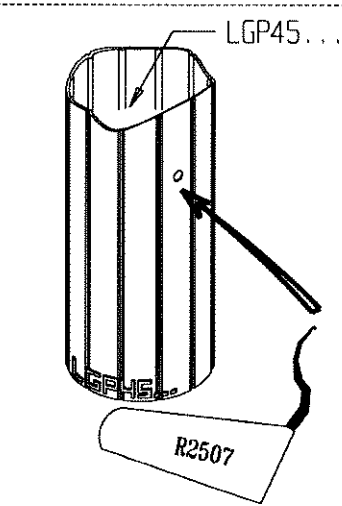
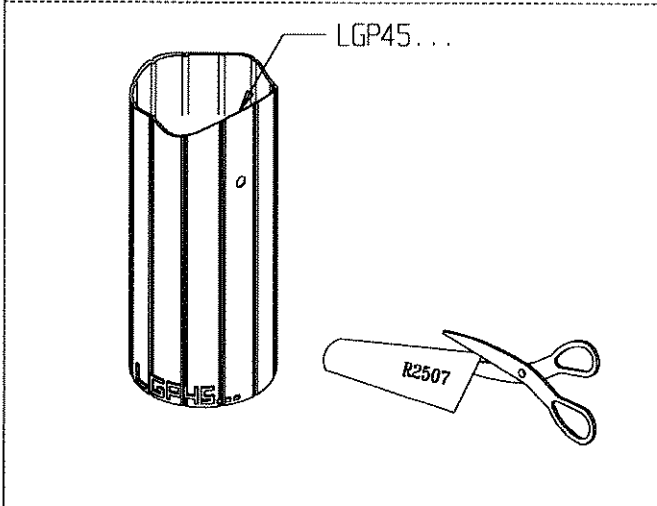
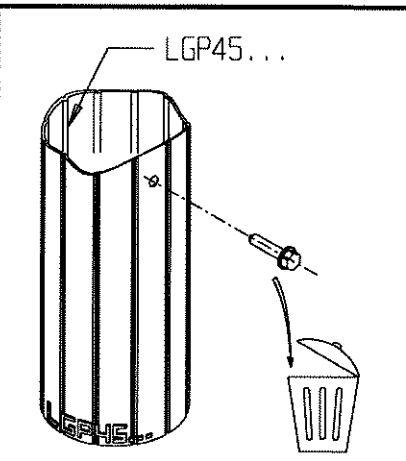
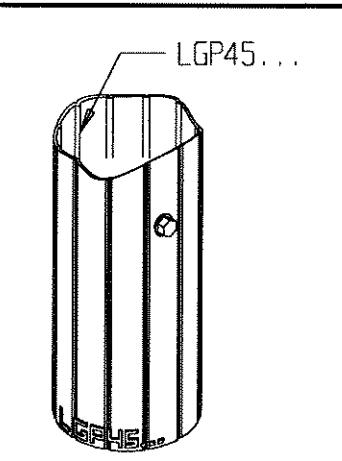


TROUS VIS A REBOUCHER : METTRE UNE  
GOUTTE DE COLLE FOURNIE.

OPEN HOLES : TO BE FILLED IN WITH A  
DROP OF THE SUPPLIED GLUE.

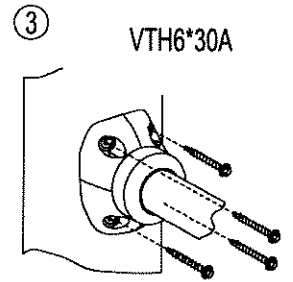
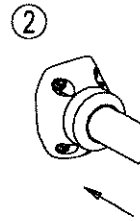
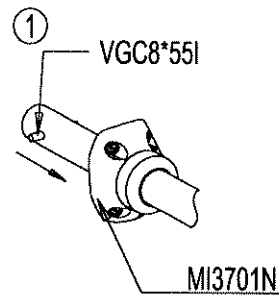
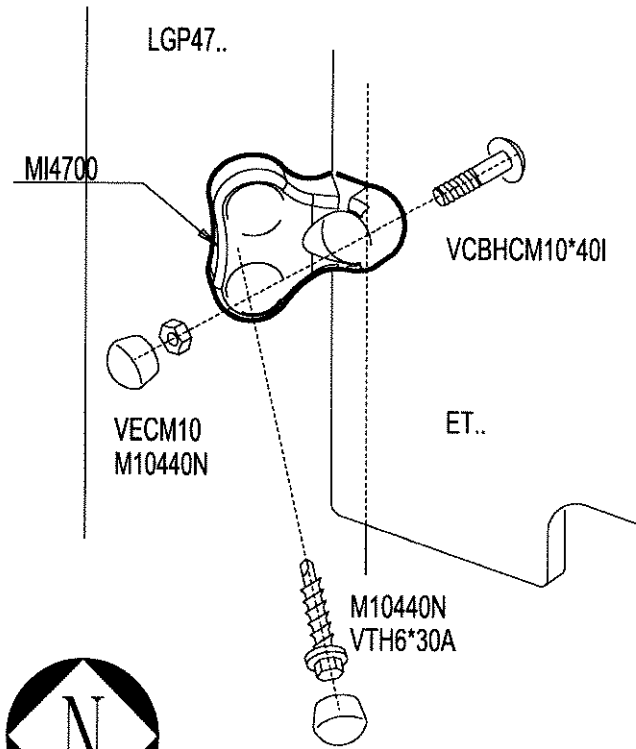
SCHRAUBENLOCHER : MIT EINEM TROPFEN  
DES GELIEFERTEN KLEBSTOFFES  
VERSTOPFEN.

AGUJEROS A TAPAR : PONER UNA GOTA  
DE LA COLA PROVECHA.

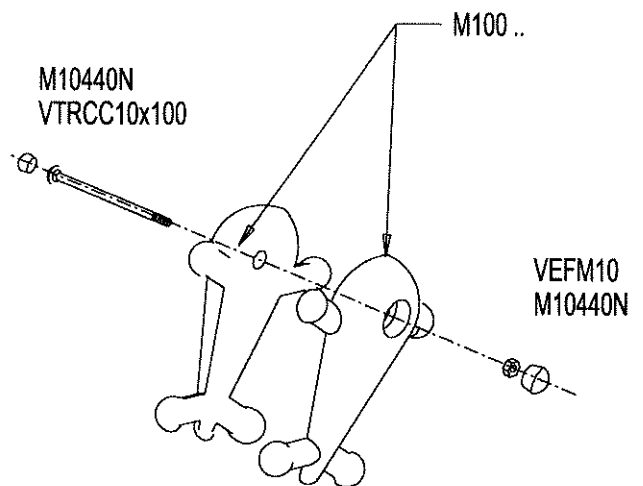
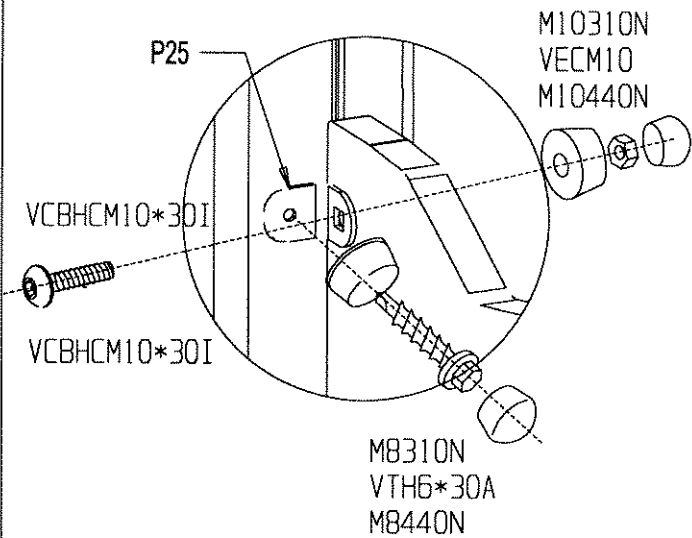


MI4700

MI3701N

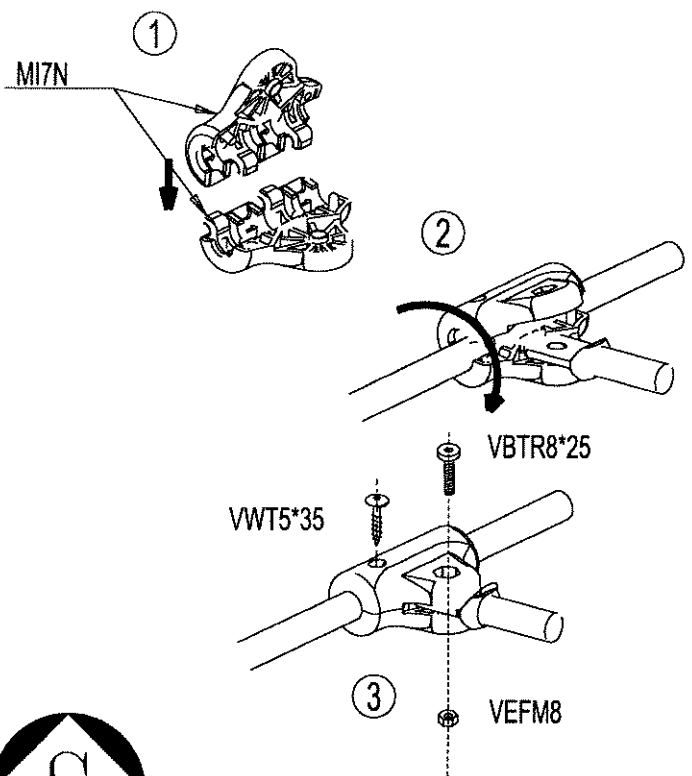
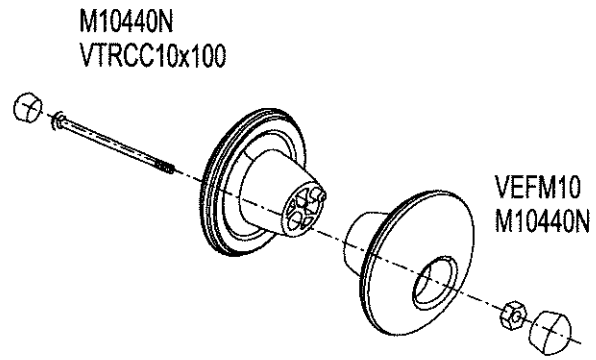


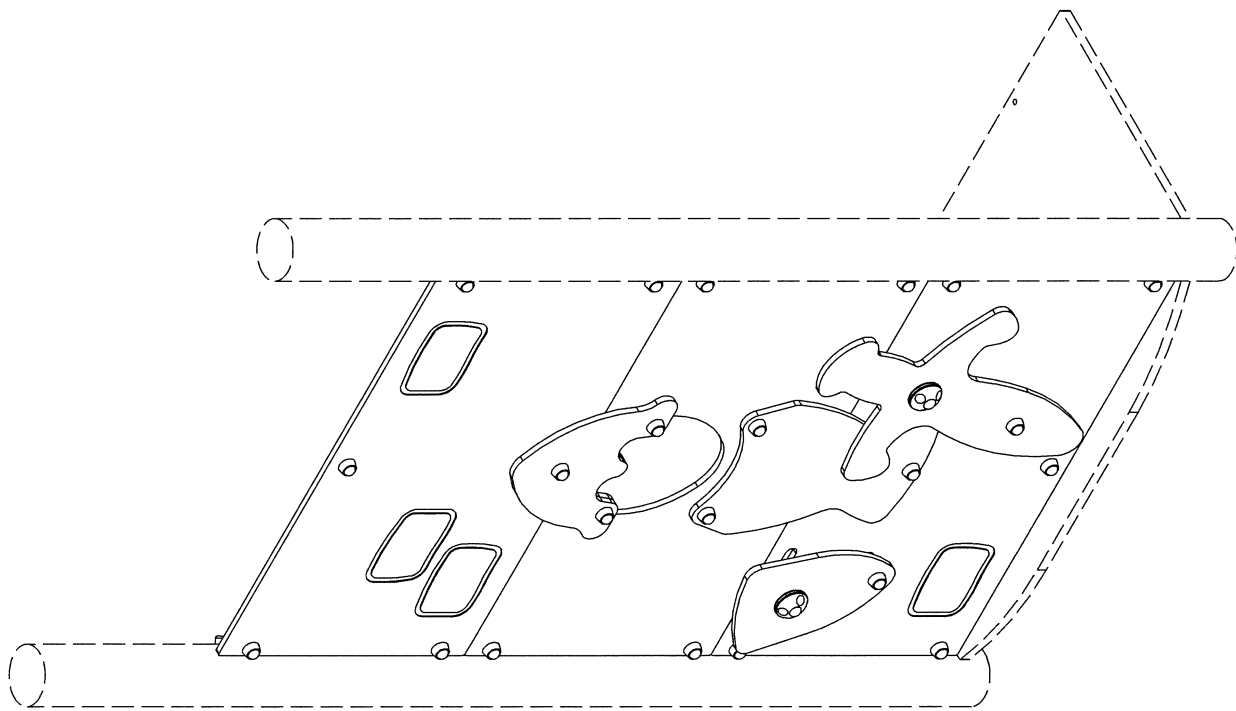
M100..



MI4700

MI3701N





U47102

ET4743GA

ET4713BC

ET4744GA

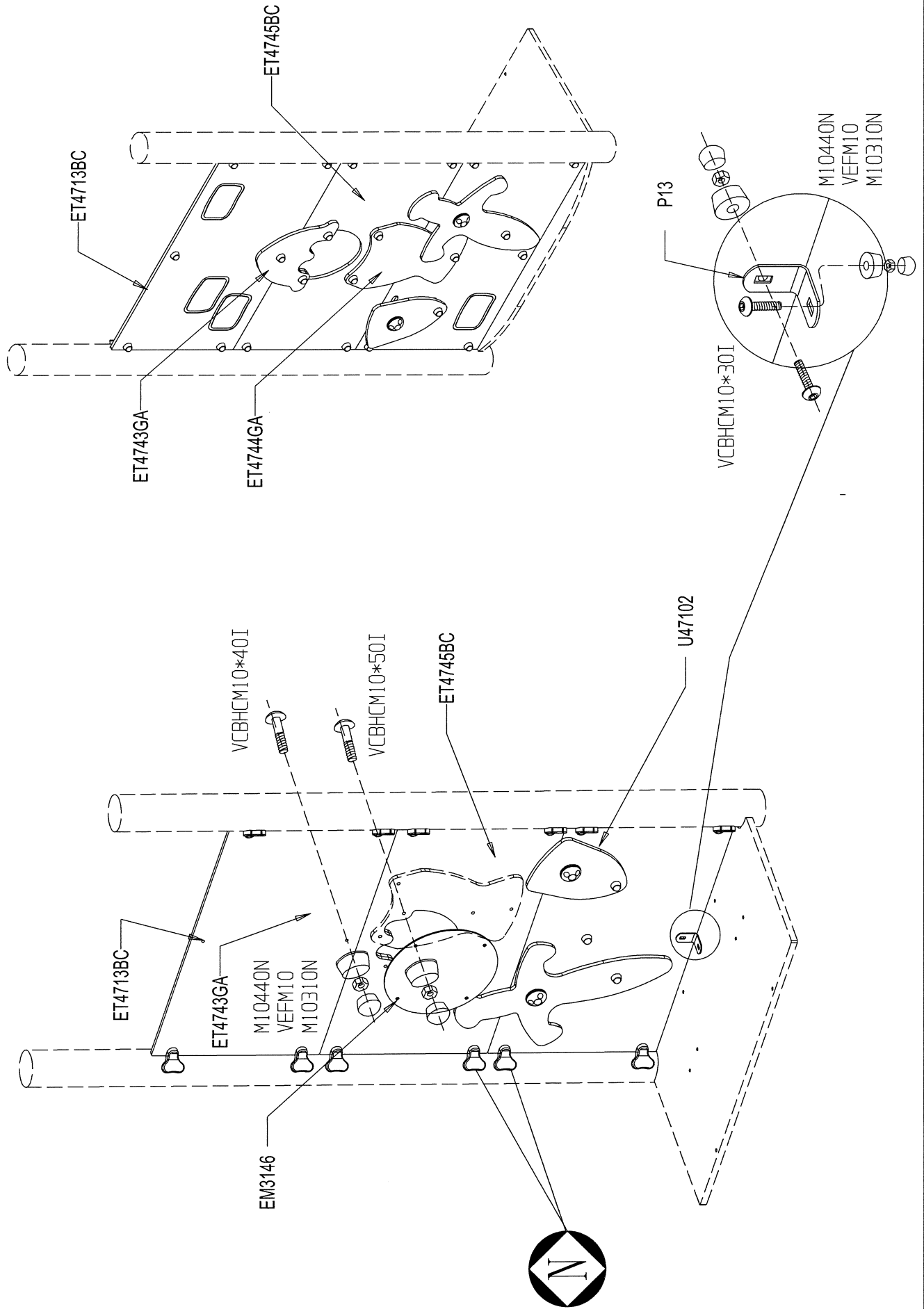
EM3146

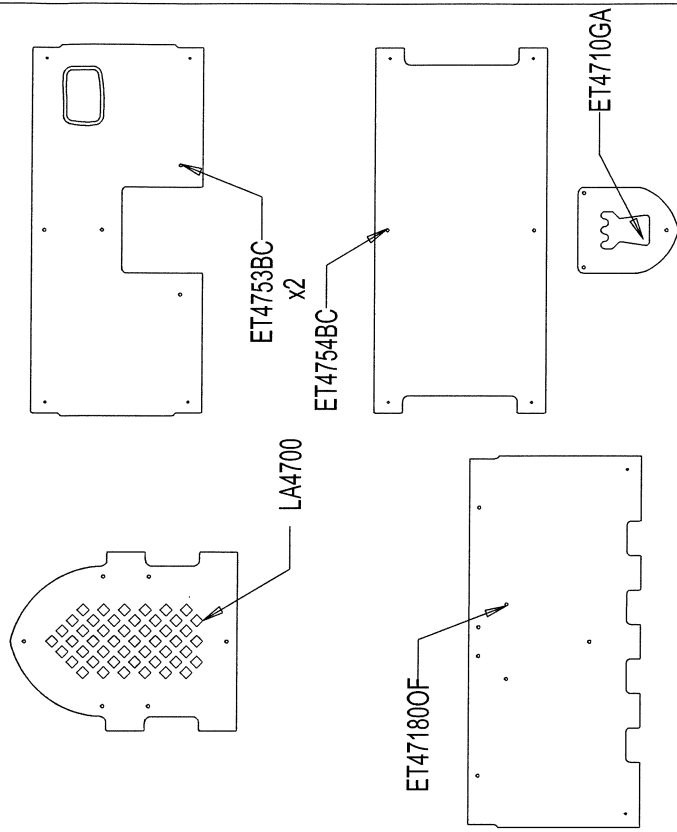
ET4745BC

M14700 X 12

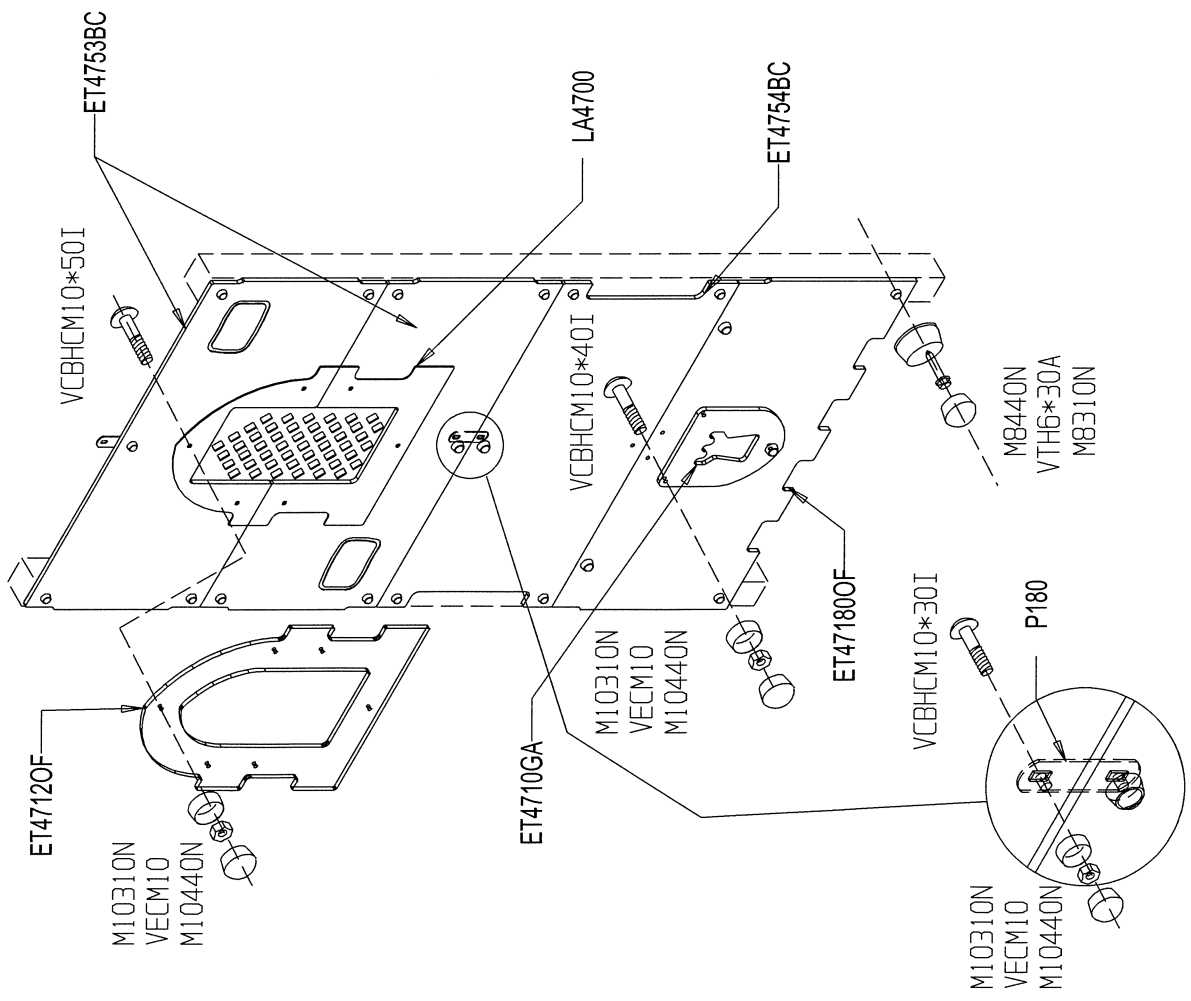
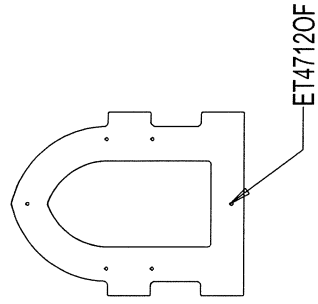
	VCBHC10*40I	2
	VCBHC10*30I	15
	VTH6*30A	24
	VCBHC10*50I	4
	M10310N	9
	M10440N	45
	VEFM10	21

	90°		70 mm	:PI3	1
--	-----	--	-------	------	---

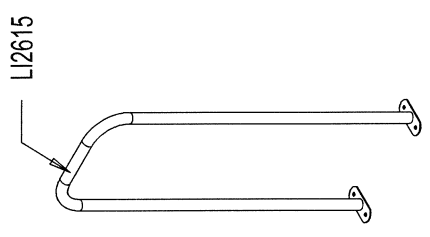
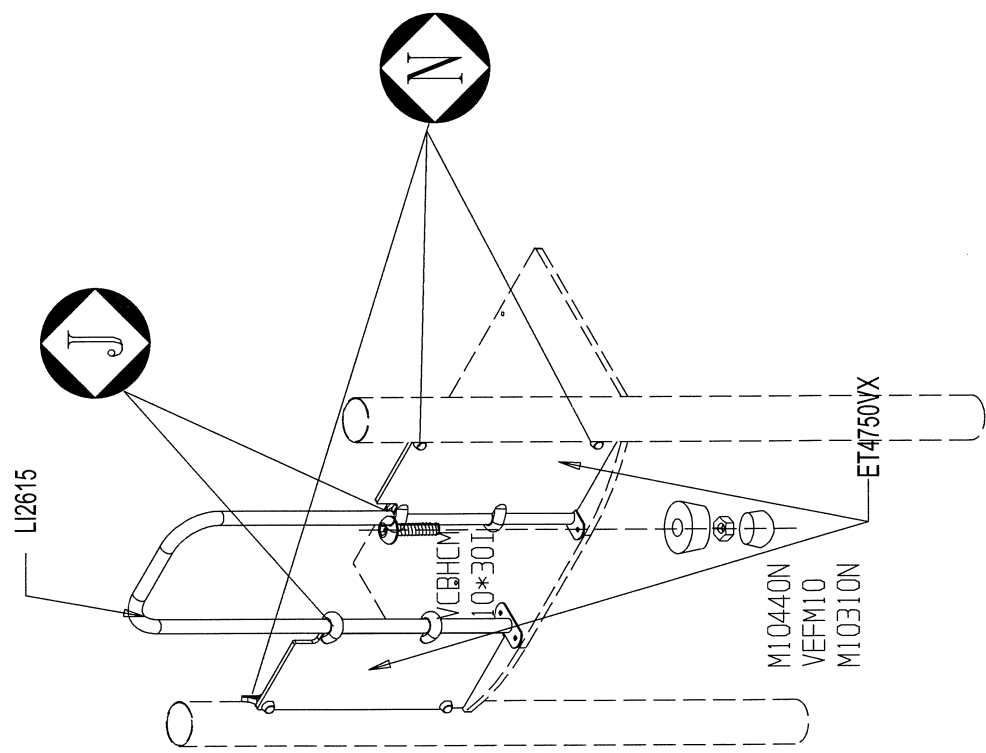




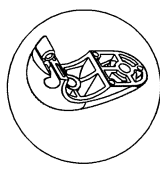
	M8310N	14
	M8440N	14
	M10310N	17
	M10440N	17
	VECM10	17
	70 mm	2
	VTH6*30A	14
	VCBHCM10*30I	8
	VCBHCM10*50I	6
	VCBHCM10*40I	3



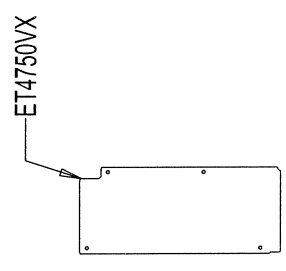




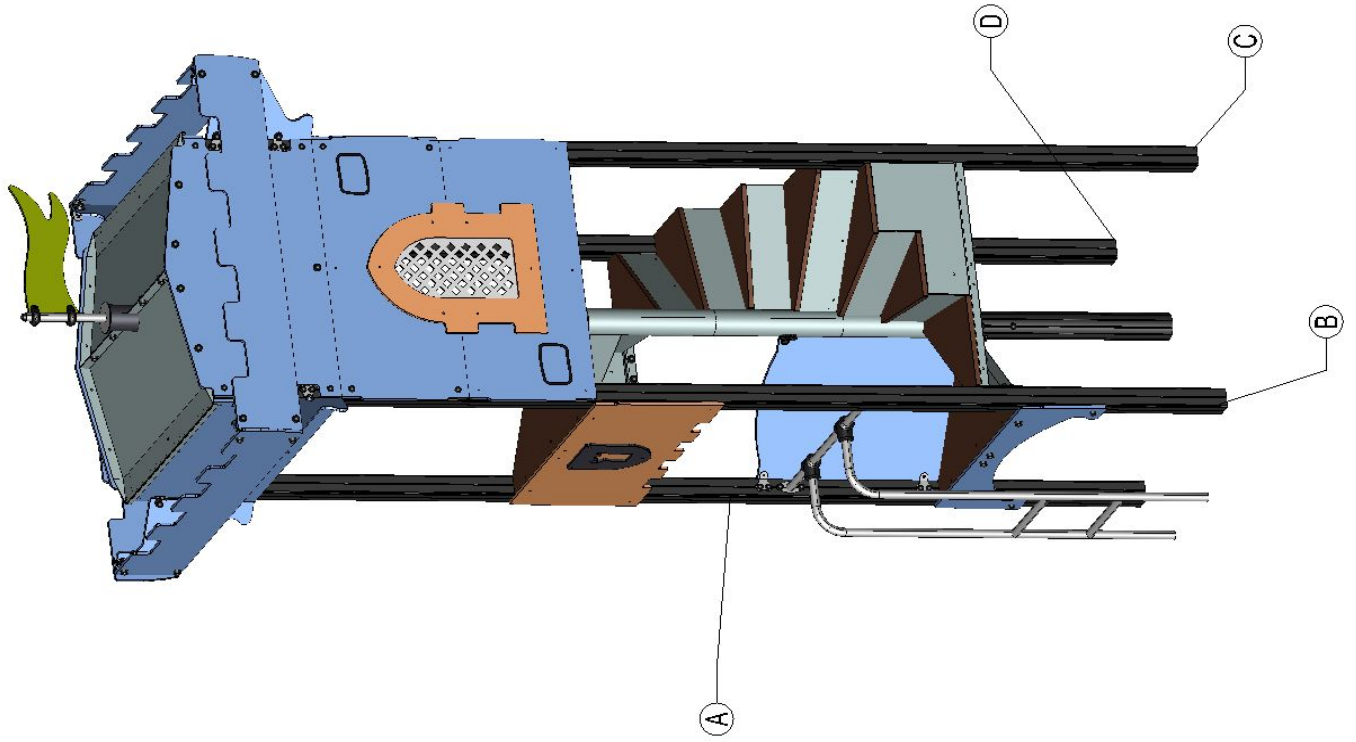
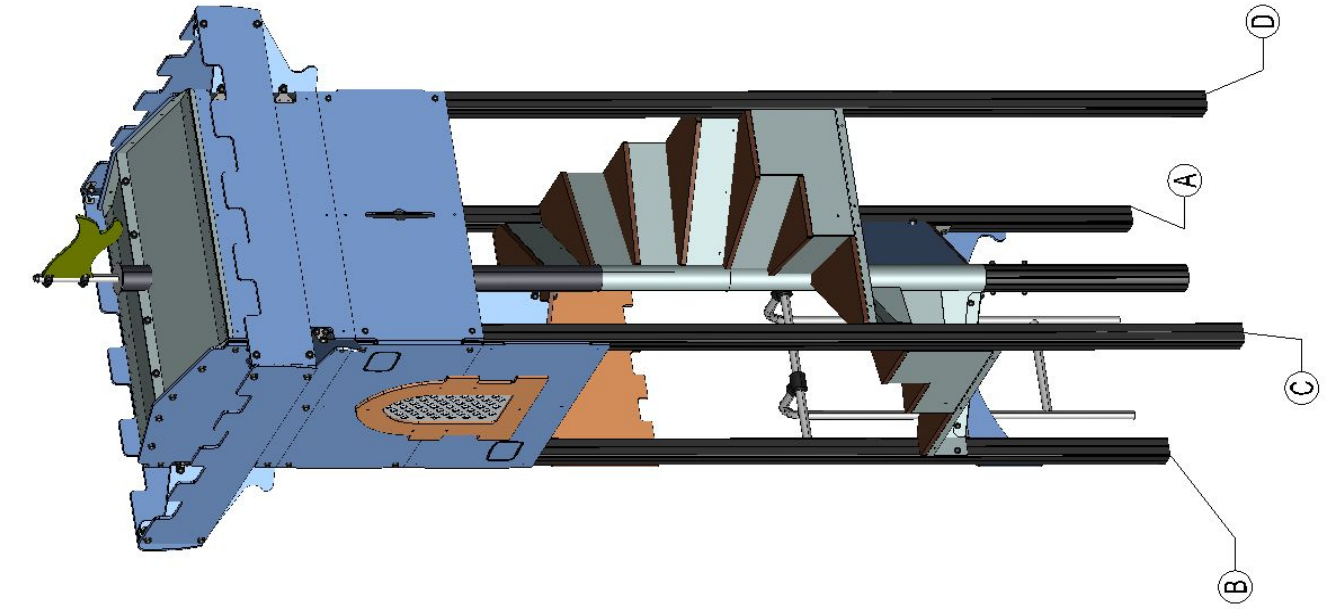
MI4502N x8

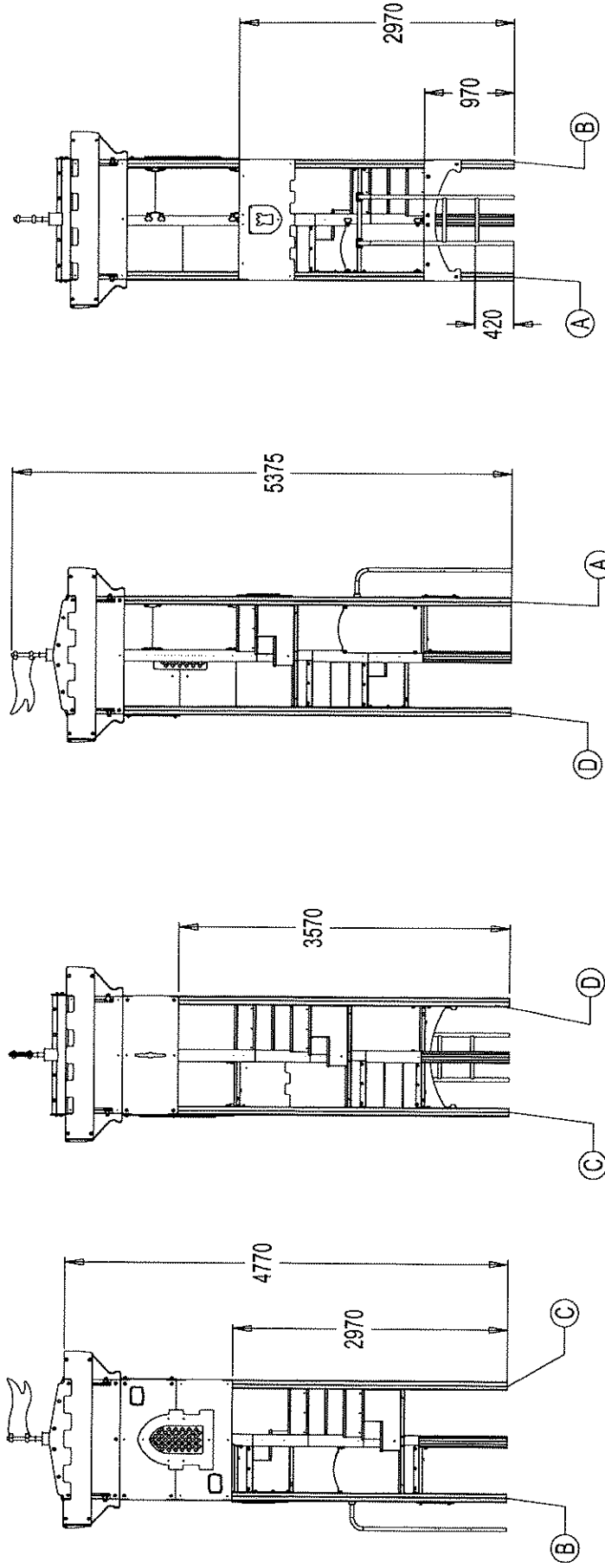


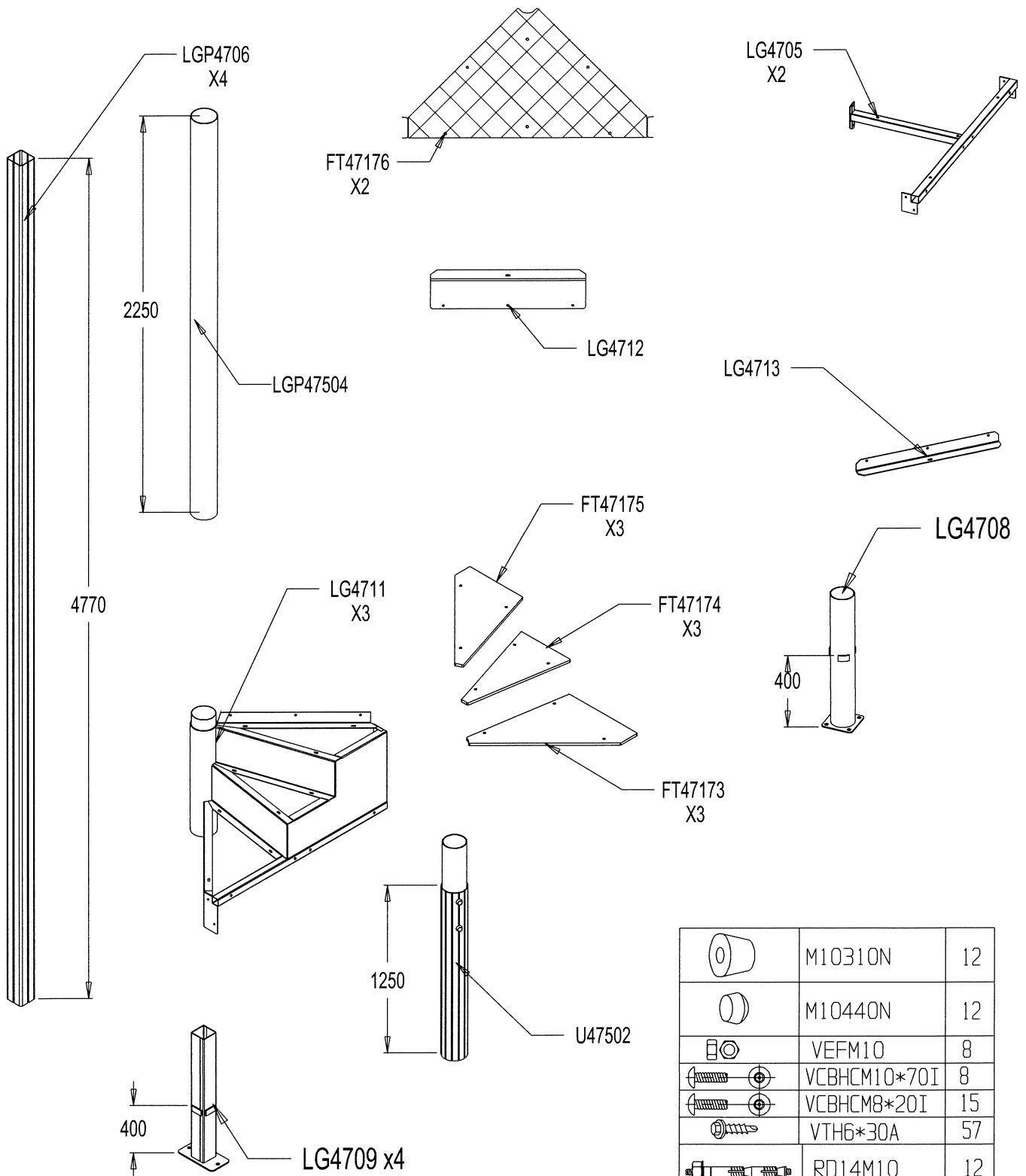
MI4700 X 4



	VTHG*30A	8
	VCBHCM10*30I	8
	M10310N	8
	M10440N	16
	VEFM10	8
	VECM8	4
	VBTR8*25	4
	MI4503N	8

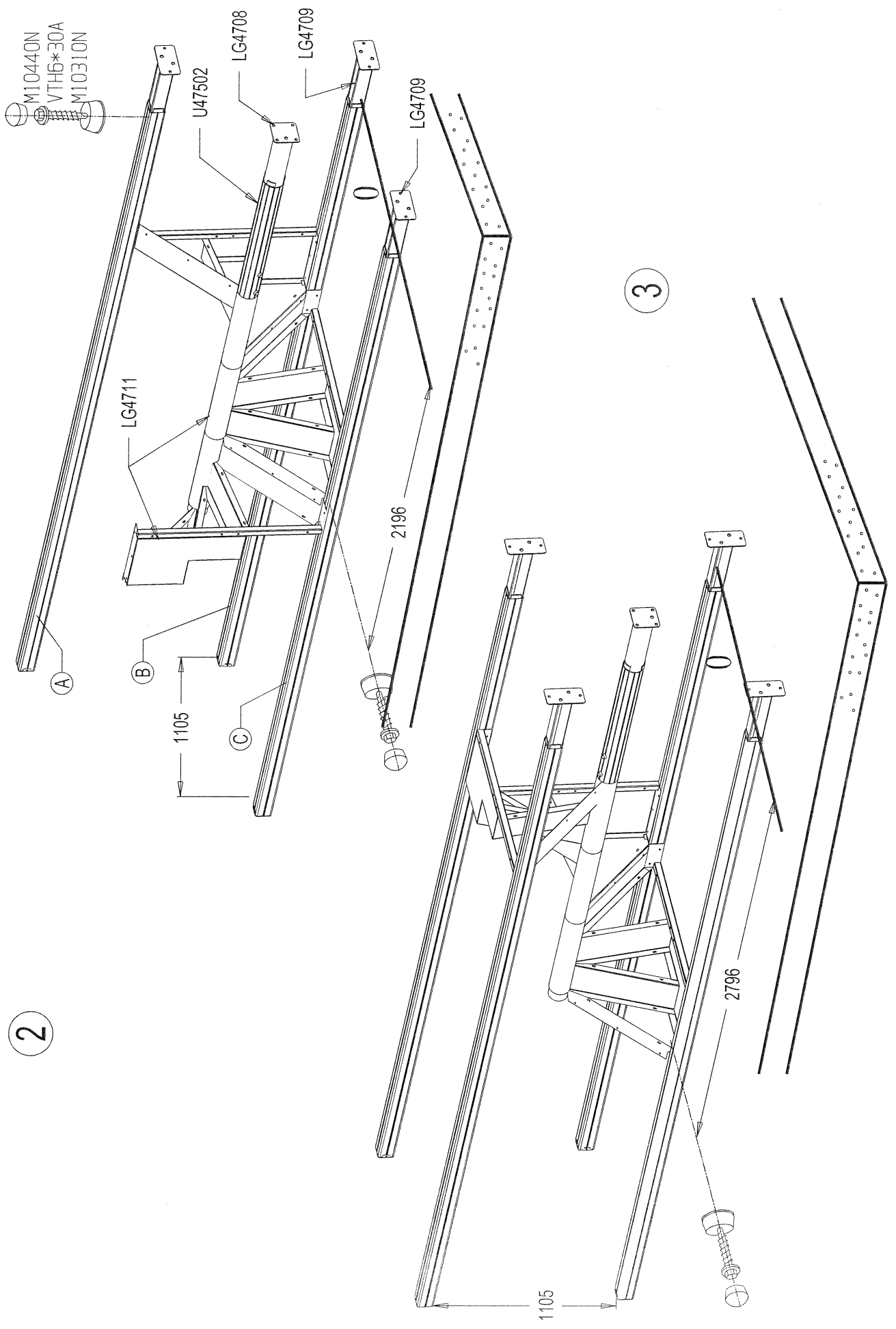


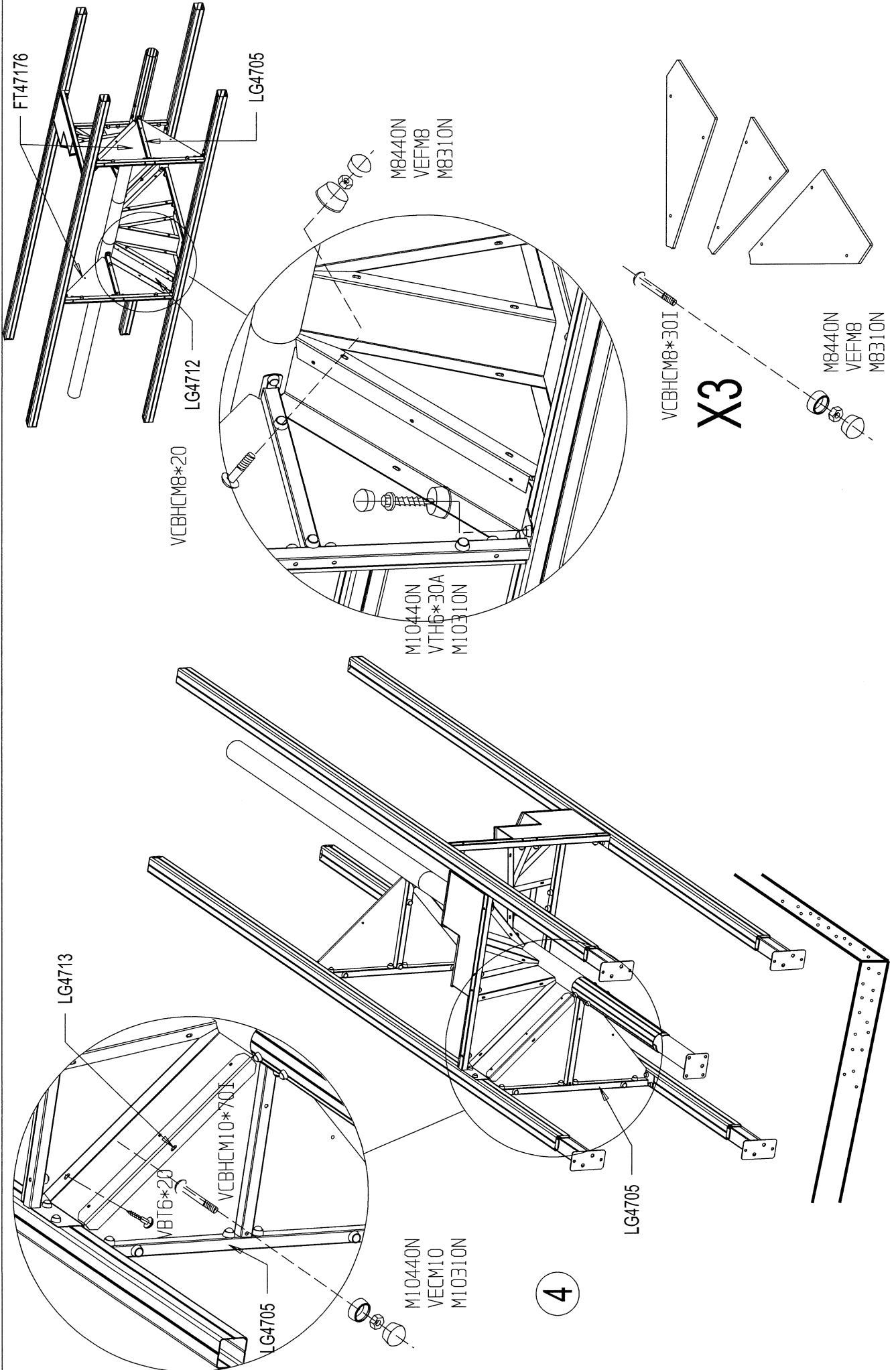


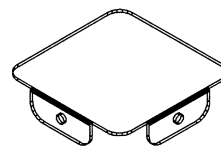
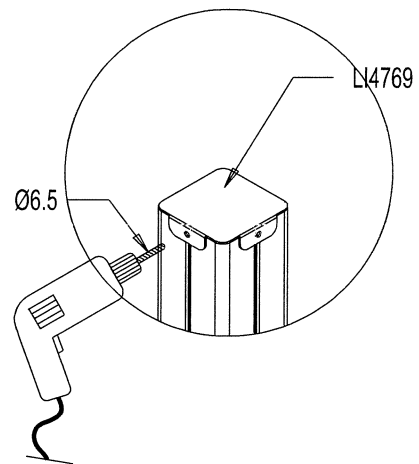
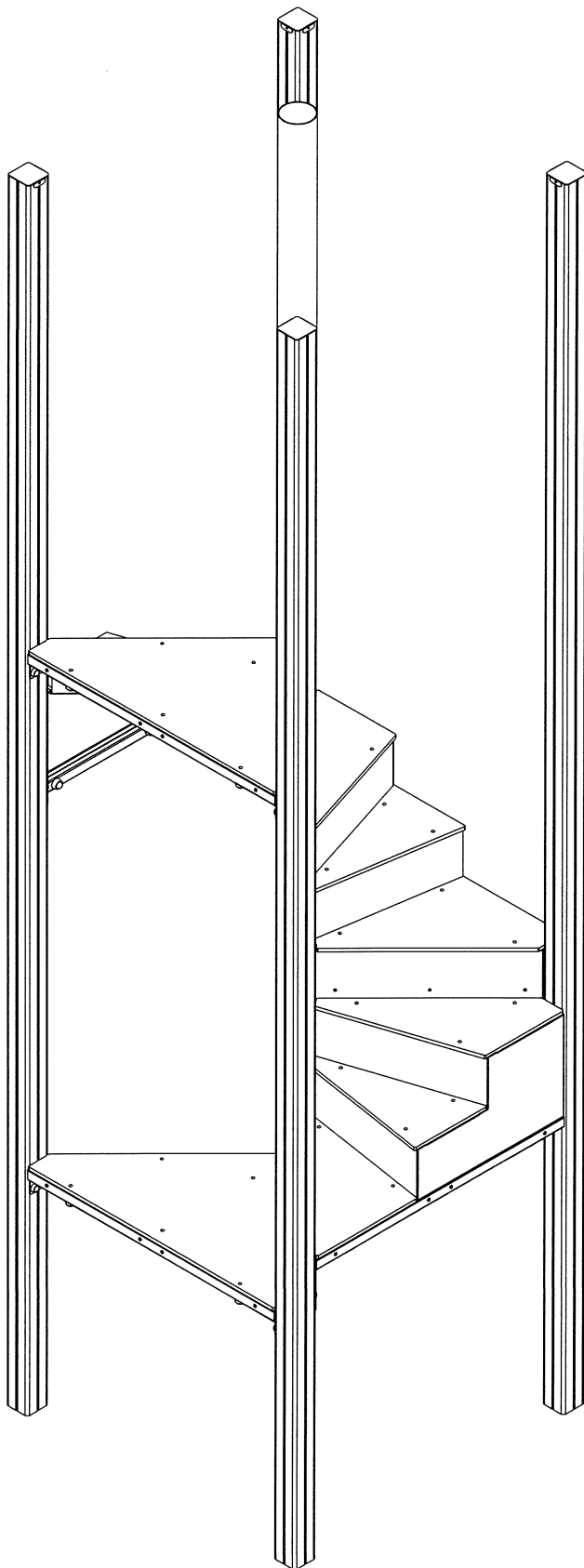


	M10310N	12
	M10440N	12
	VEFM10	8
	VCBHCM10*70I	8
	VCBHCM8*20I	15
	VTH6*30A	57
	RD14M10	12
	VCBHCM8*30I	27
	M8310N	99
	M8440N	99
	VEFM8	42

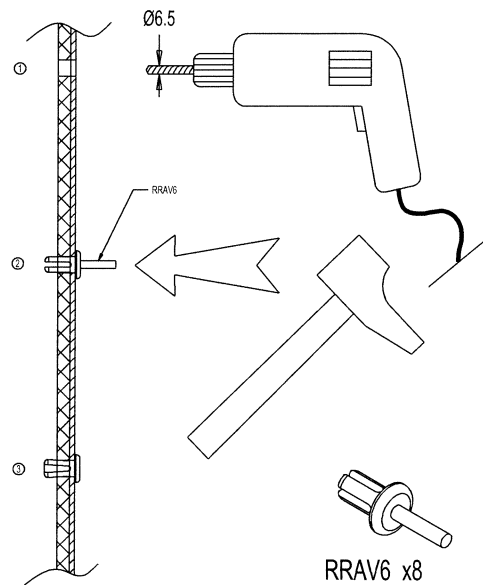






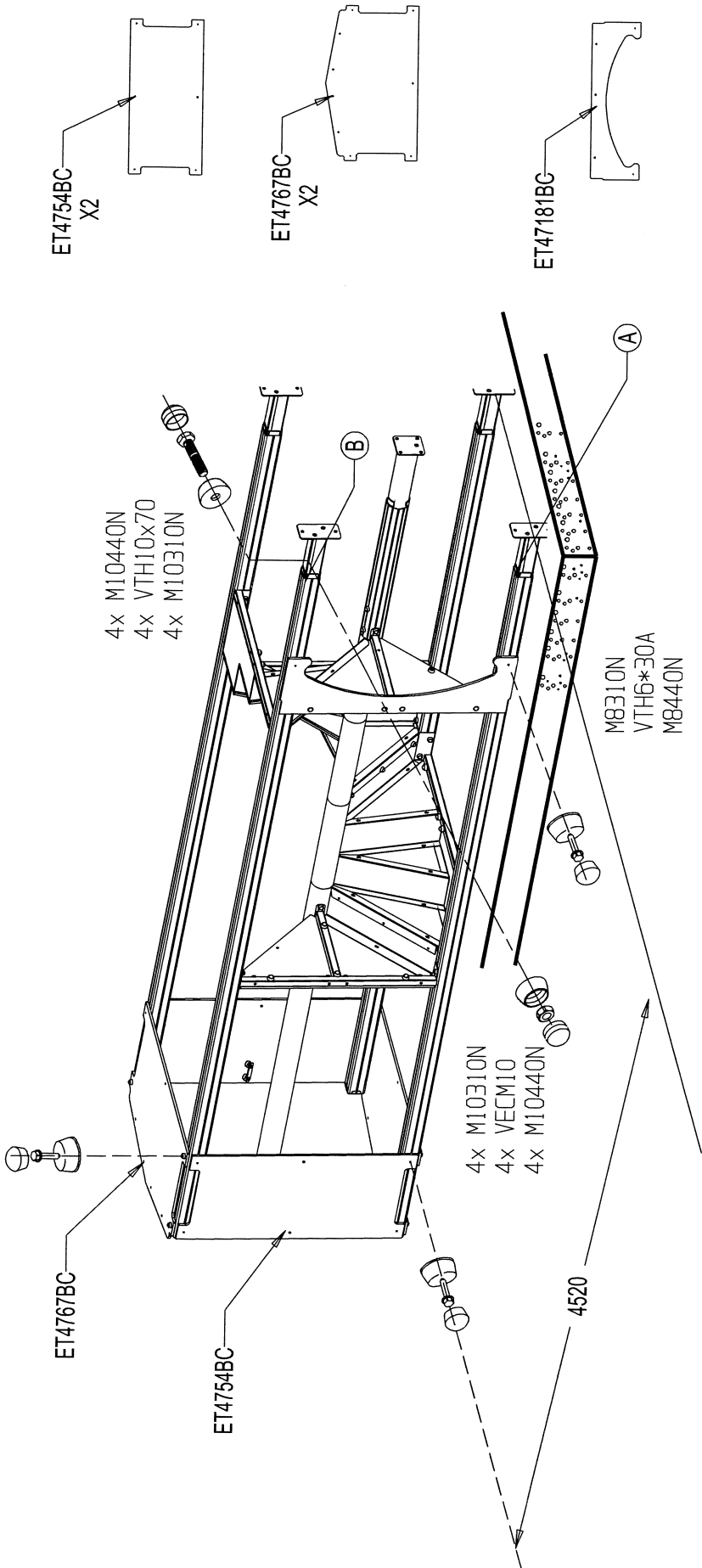


L14769 x4

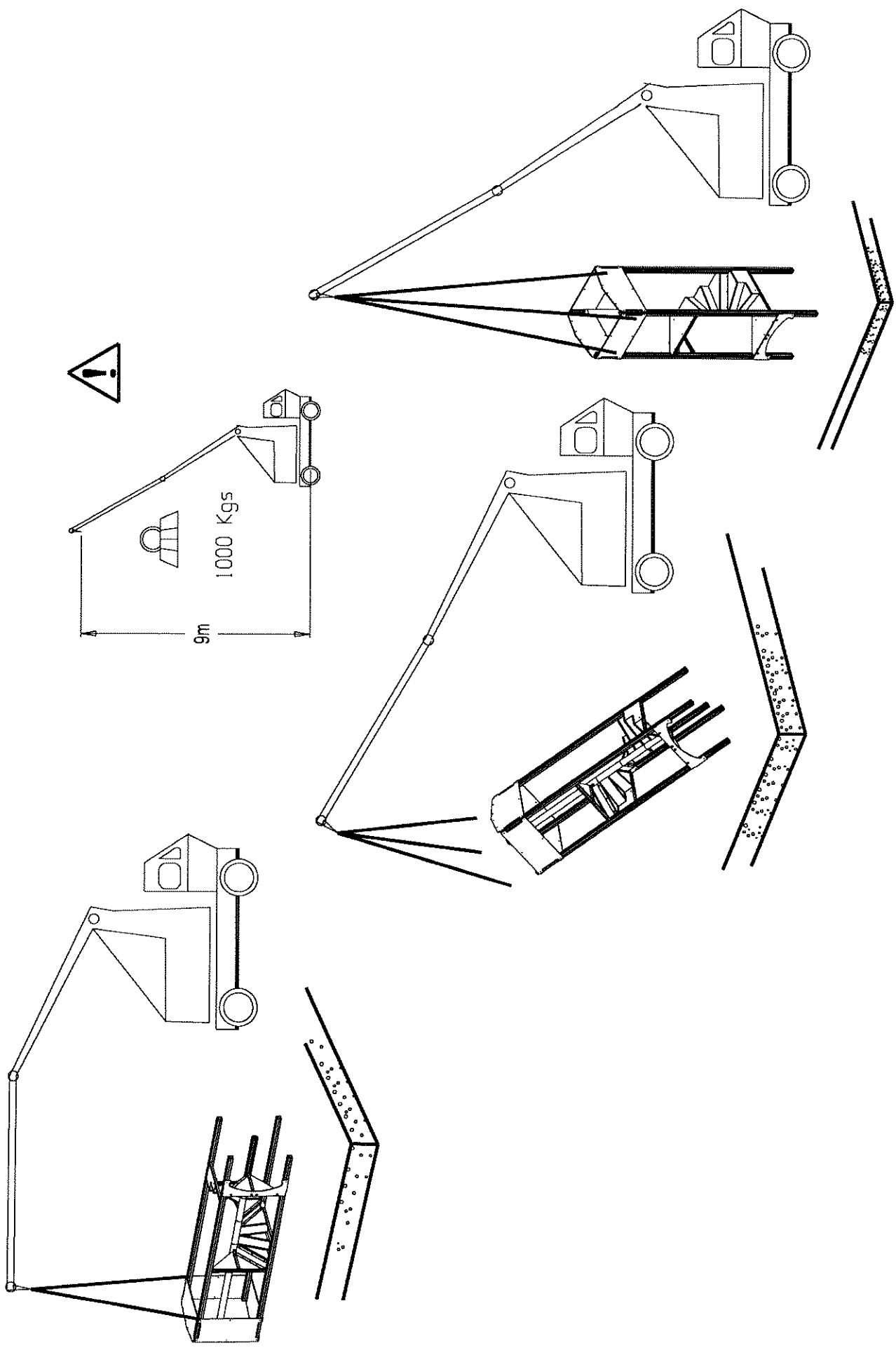


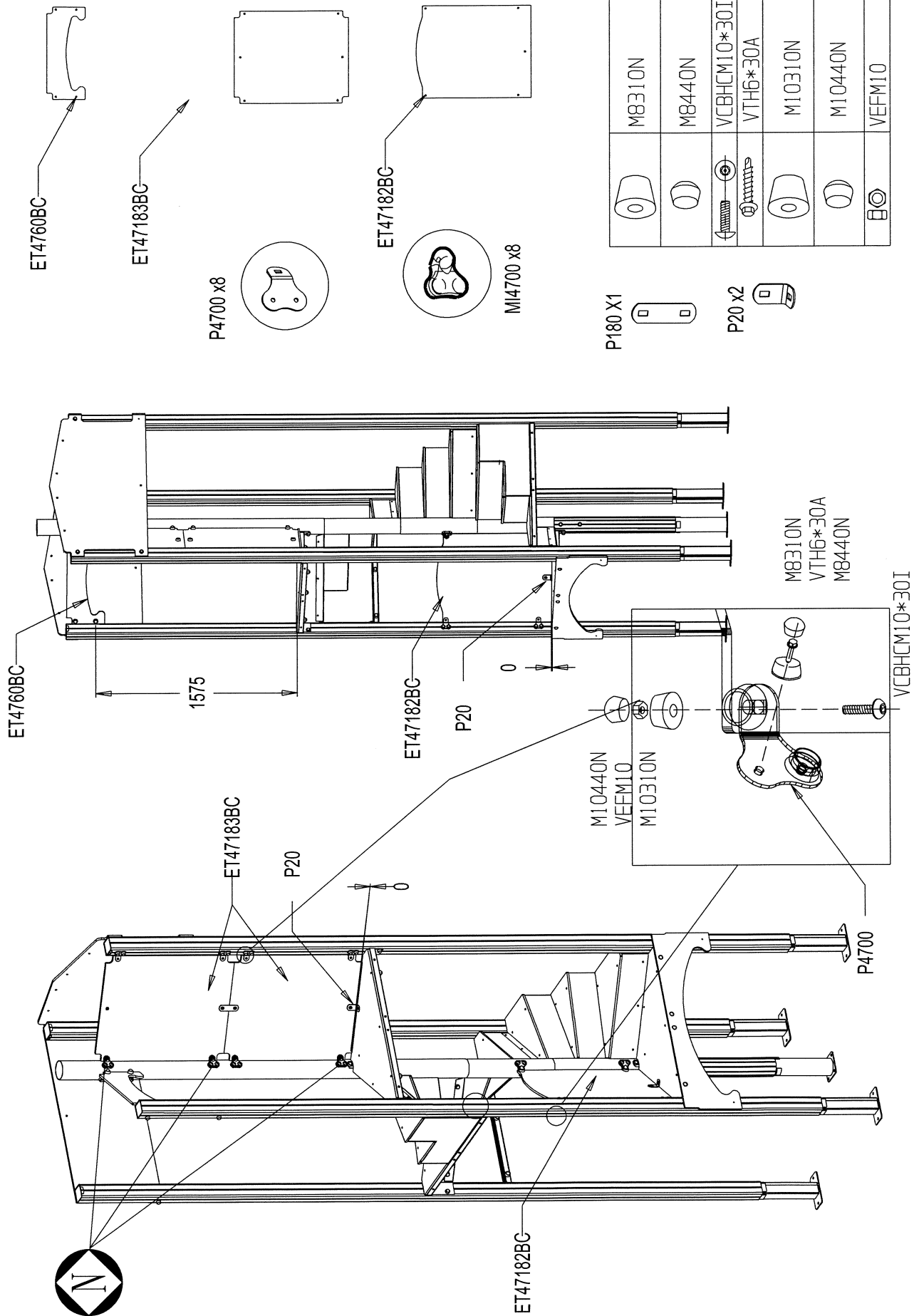
RRAV6 x8





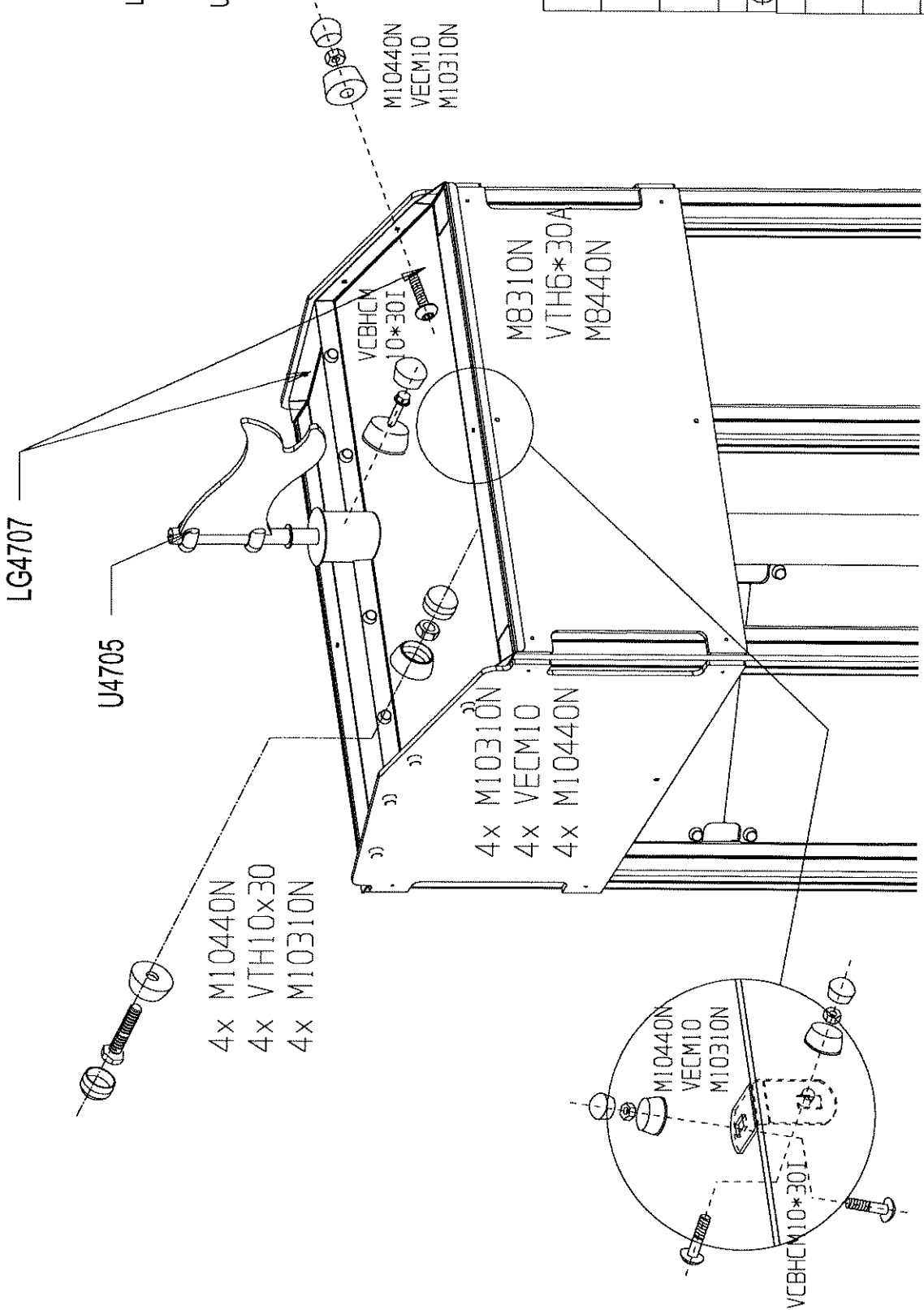
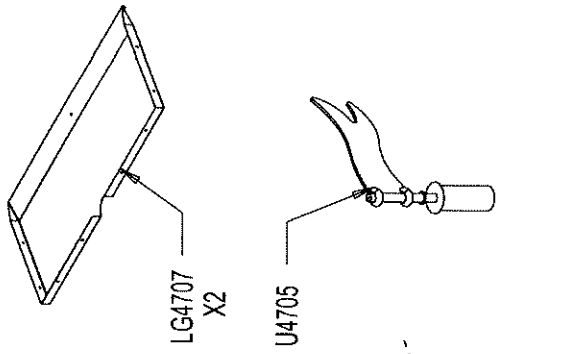
	M8310N	18
	M8440N	18
	VTH6*30A	18
	M10310	8
	M10440	8
	VECM10	4
	VTH 10x70	4



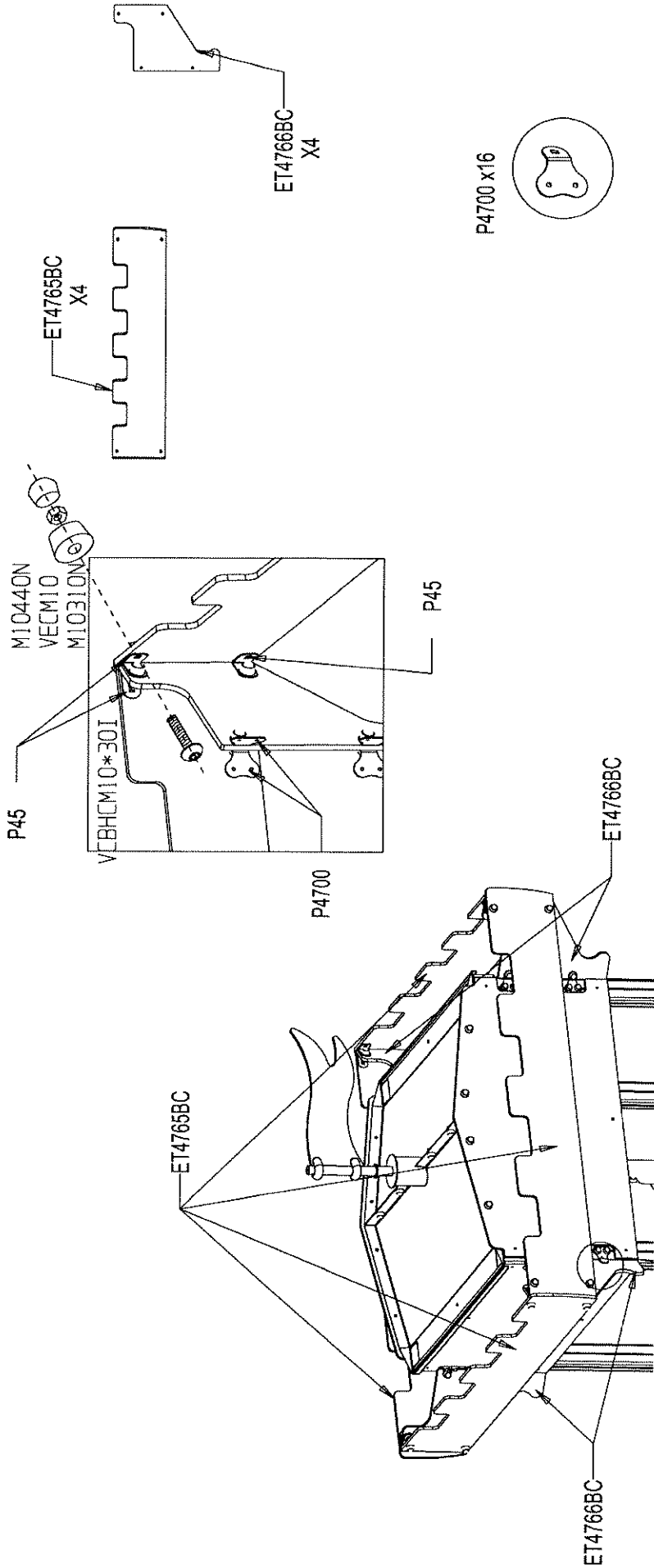


	M8310N	16
	M8440N	16
	VCBHC M10*30I	23
	VTH6*30A	32
	M10310N	23
	M10440N	39
	VEEM10	23

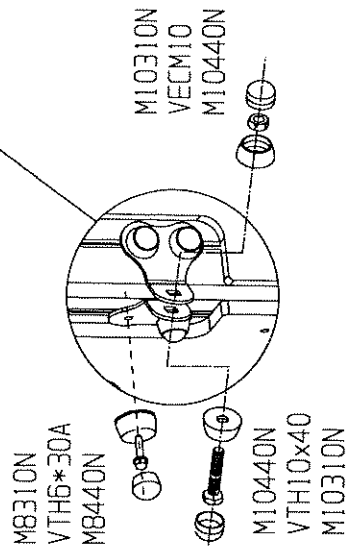
- P4700 x8
- M14700 x8
- P180 X1
- P20 x2

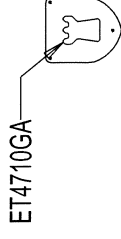
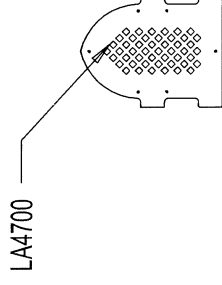
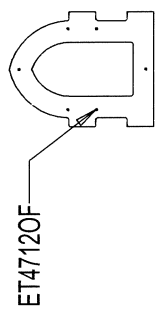
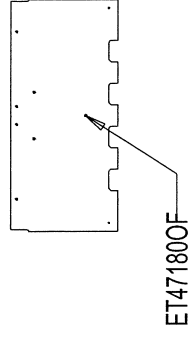
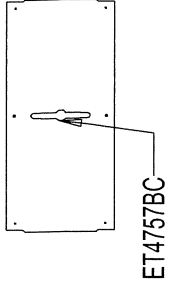
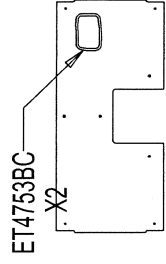
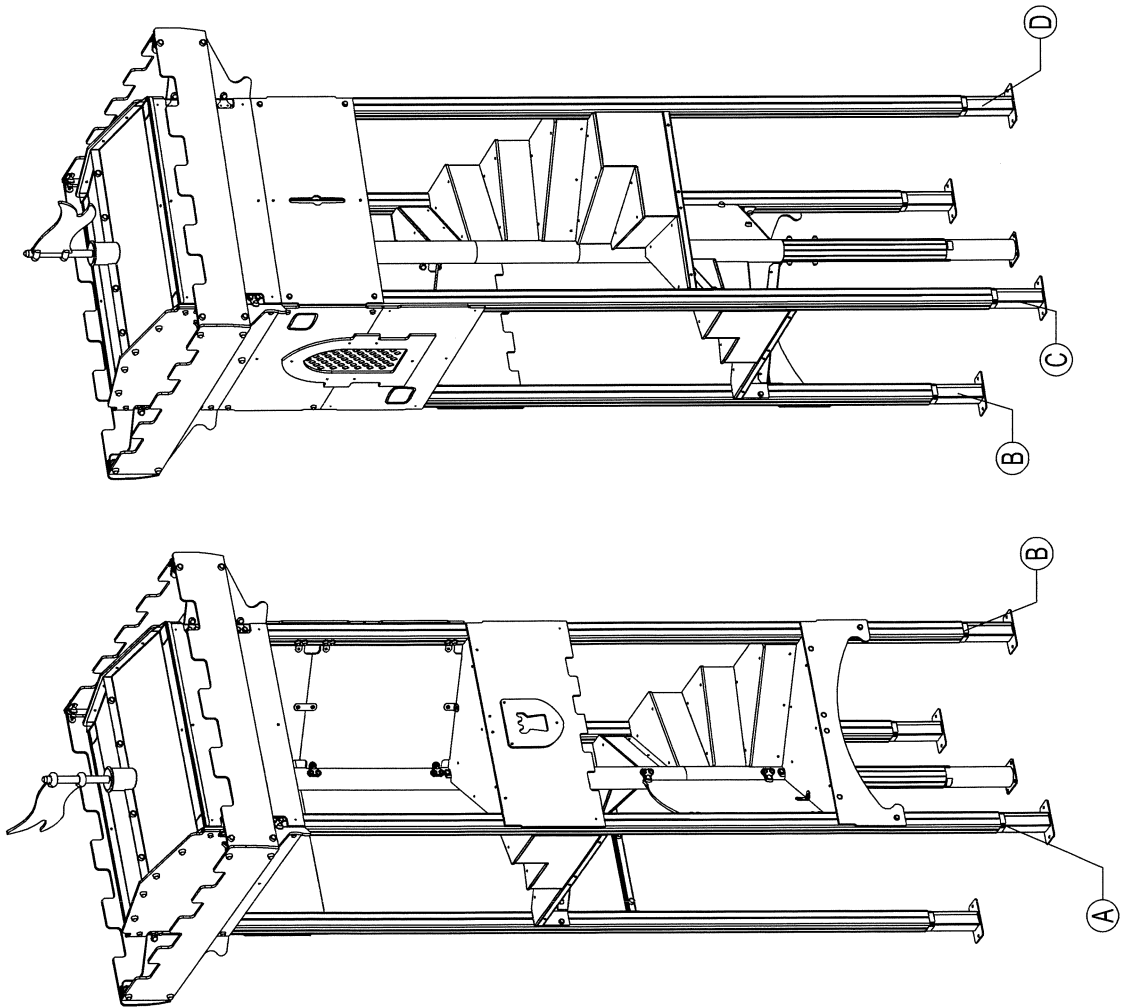


	70 mm :P13	2
	M8310N	2
	M8440N	2
	VTH6*30A	2
	VCBHCM10*30I	12
	VTH10x30	4
	M10310N	20
	M10440N	20
	VECM10	16

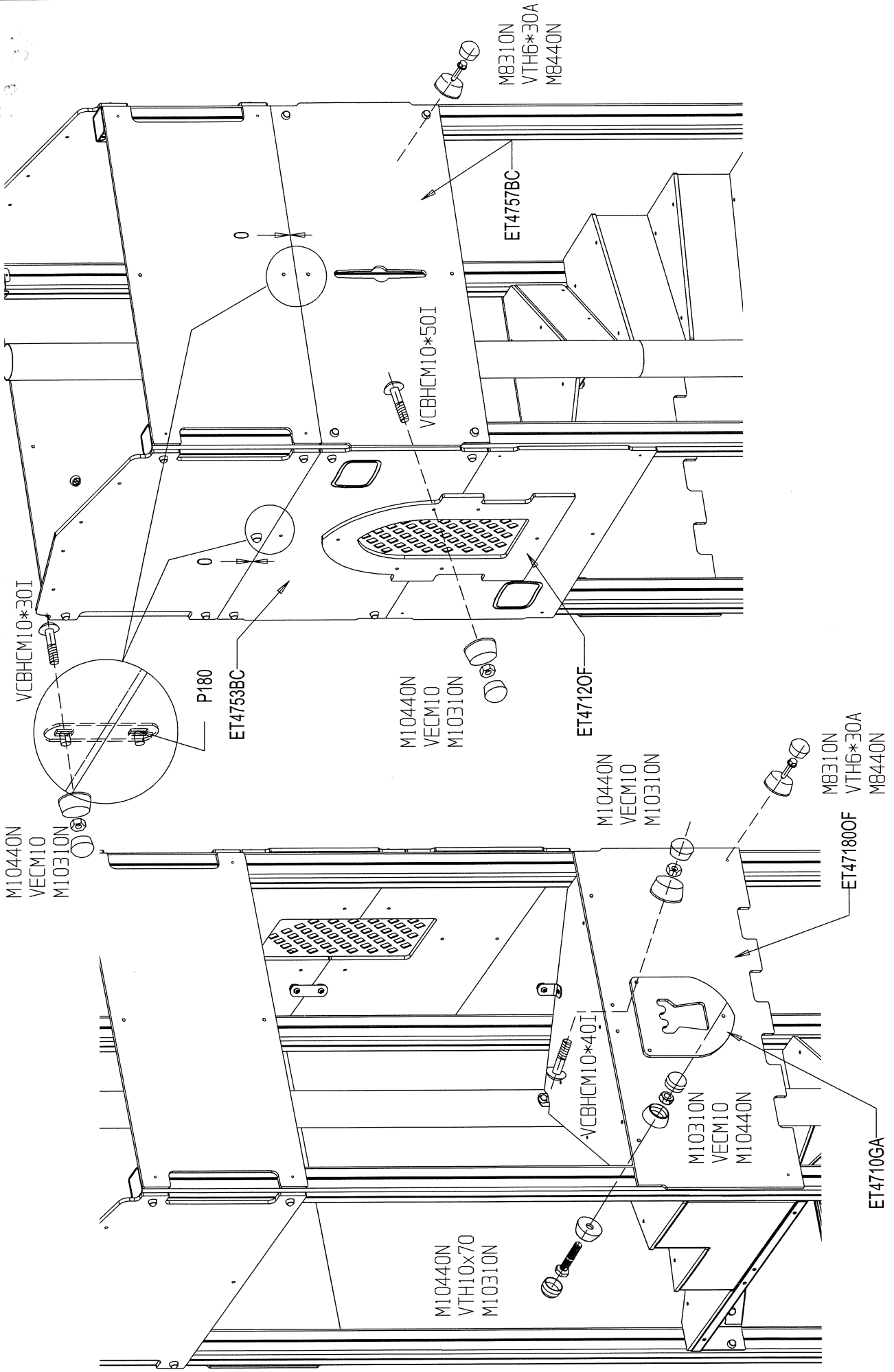


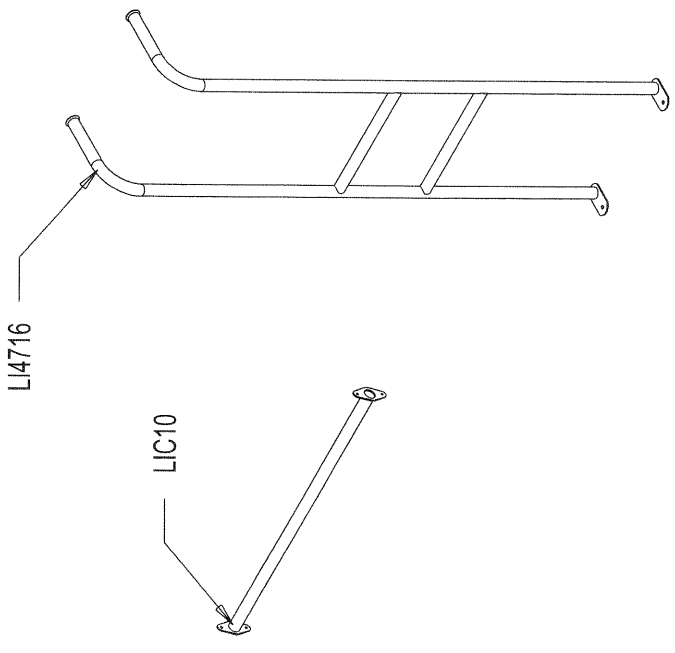
	VTH6*30A	32
	VCBHC M10*30I	24
	M8310N	32
	M8440N	32
	VECM10	32
	VTH 10x40	8
	M10310N	40
	M10440N	40
	70 mm	
	45° : P45	16





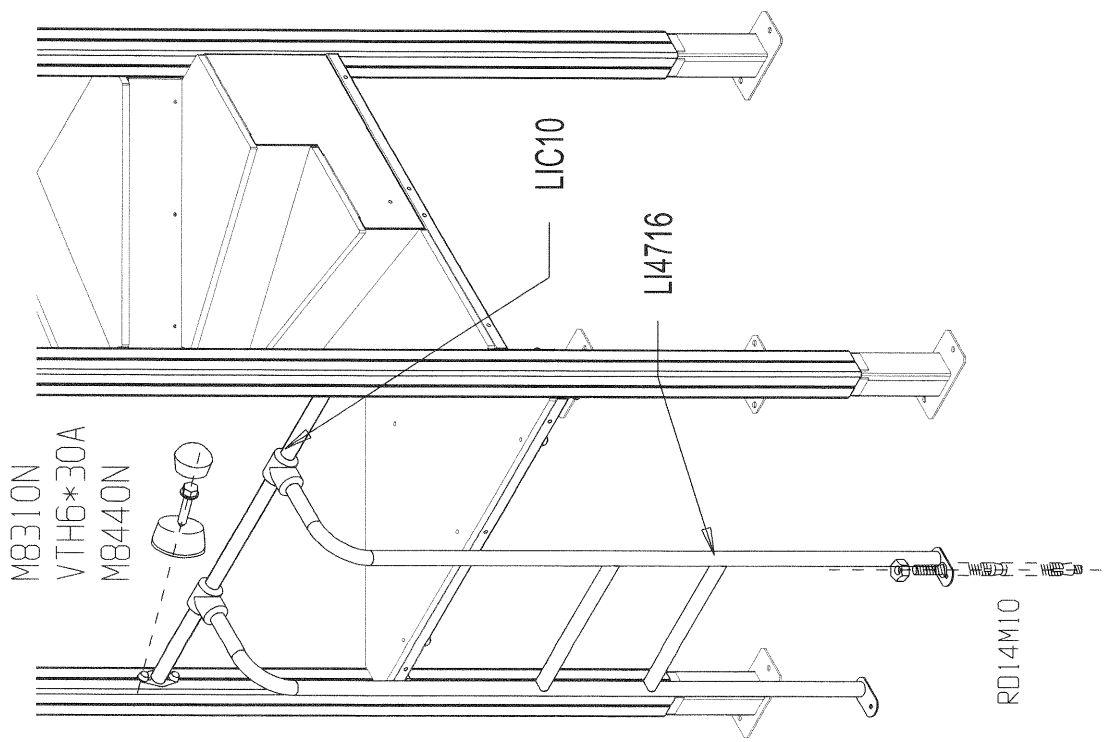
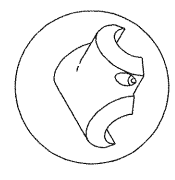
	VTH 10x70	4
	VCBHC M10*50I	6
	VCBHC M10*40I	3
	VCBHC M10*30I	5
	M10310N	17
	M10440N	17
	VECM10	18
	M8310N	19
	M8440N	19
	VTH6*30A	14
	70 mm	
	180° : P180	2





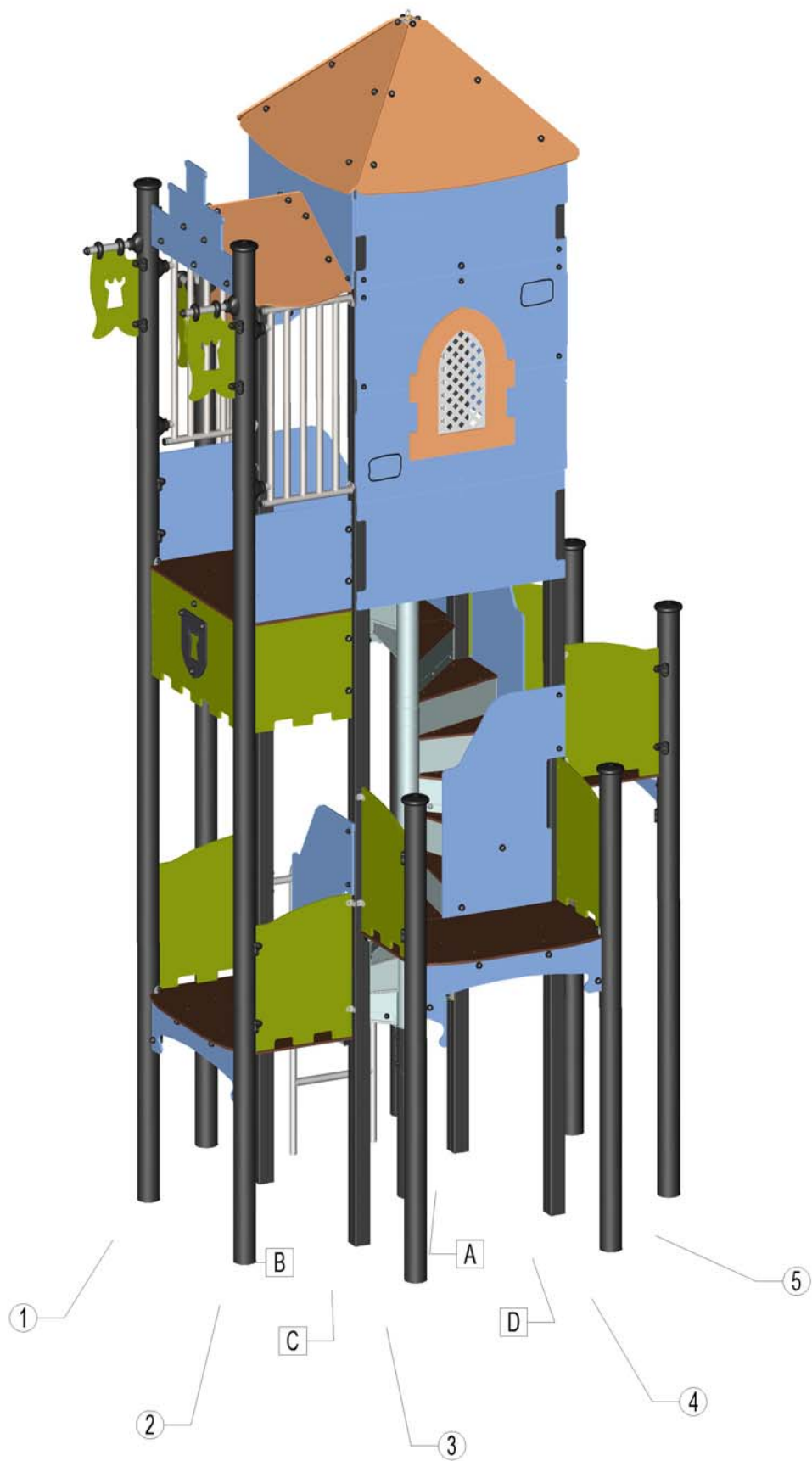
	M8310N	4
	M8440N	4
	VTH6*30A	4
	VCZX 6x25	8
	VEBM6	4
	RD14M10	2

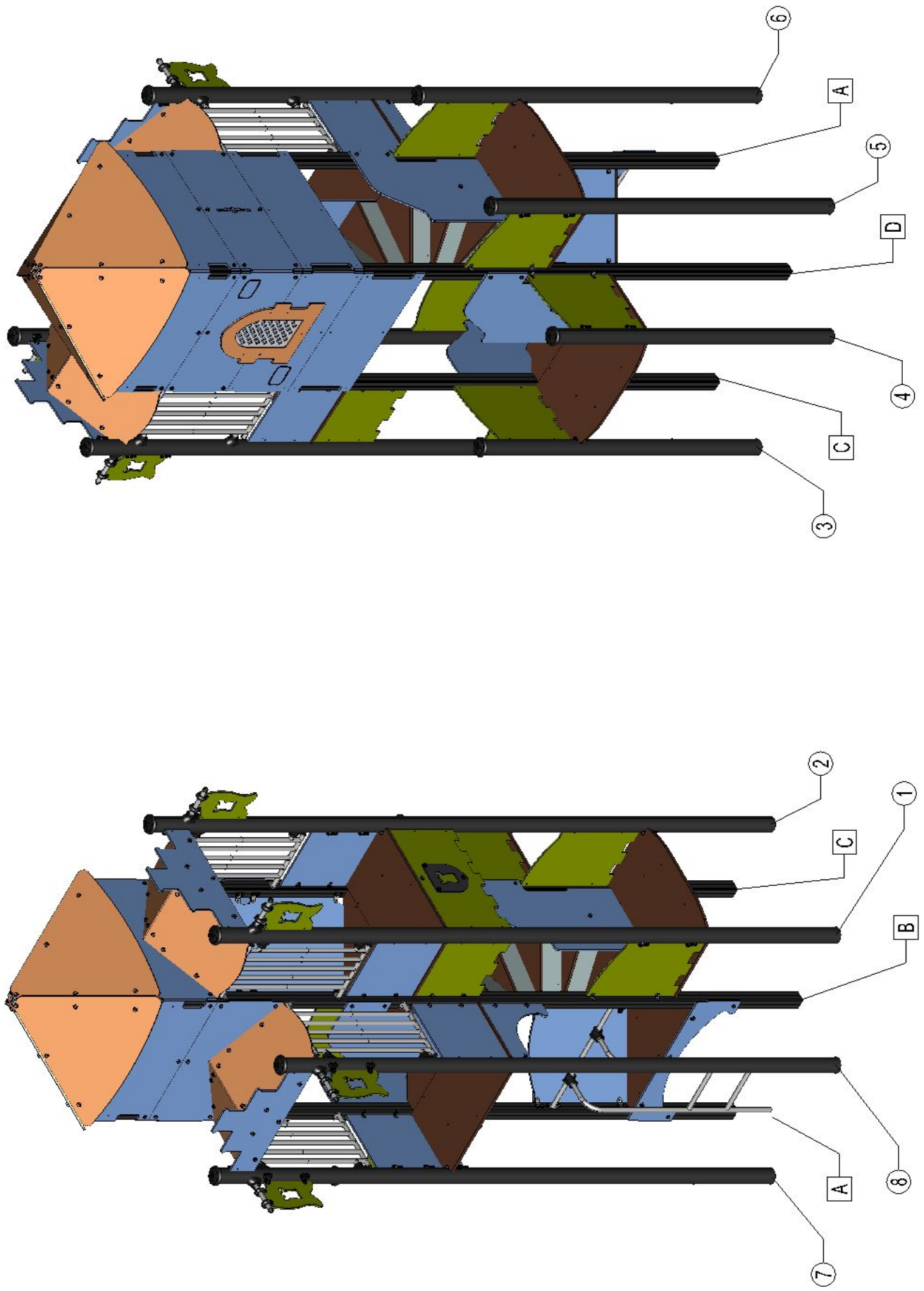
MI2502N x4





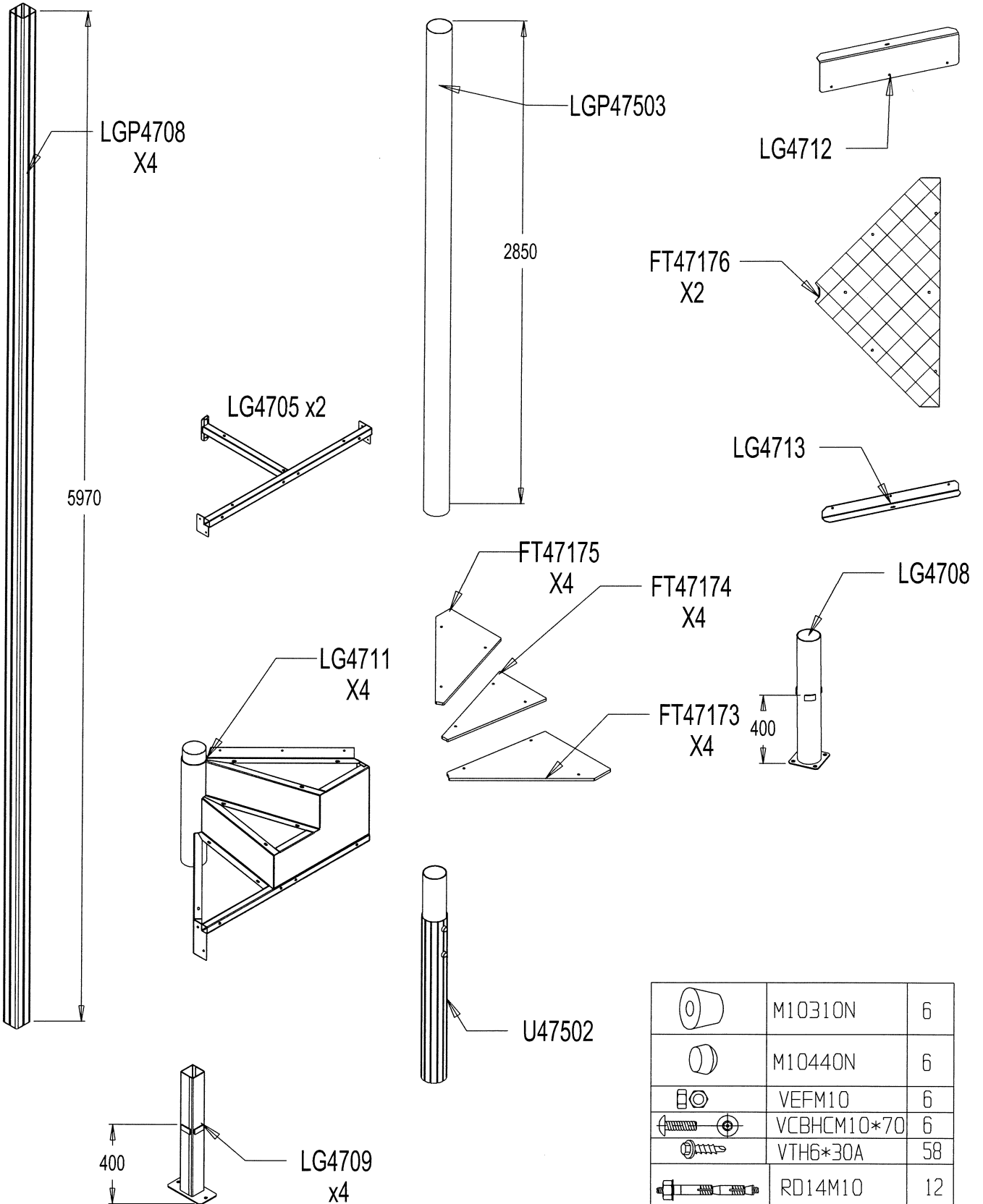




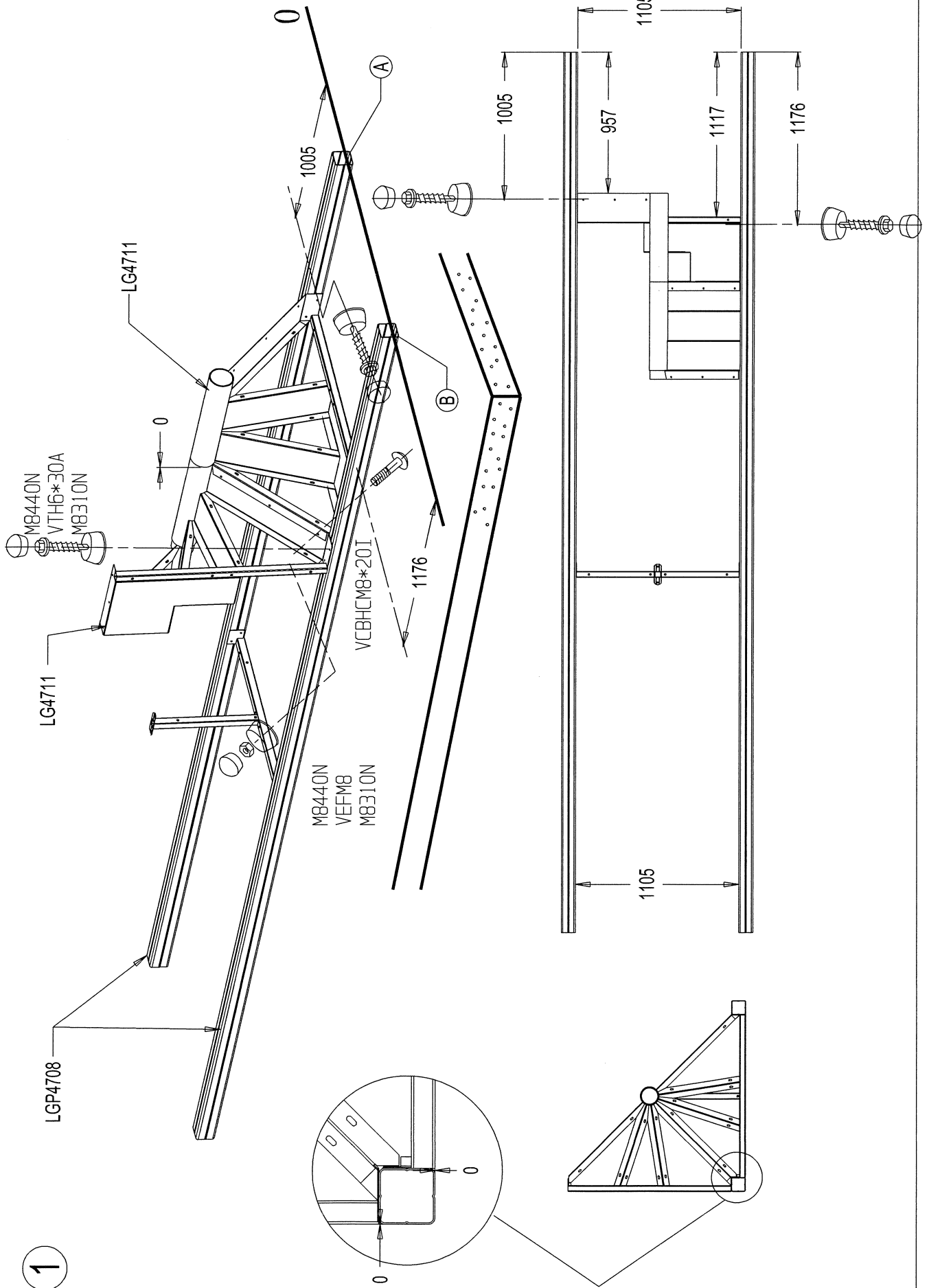


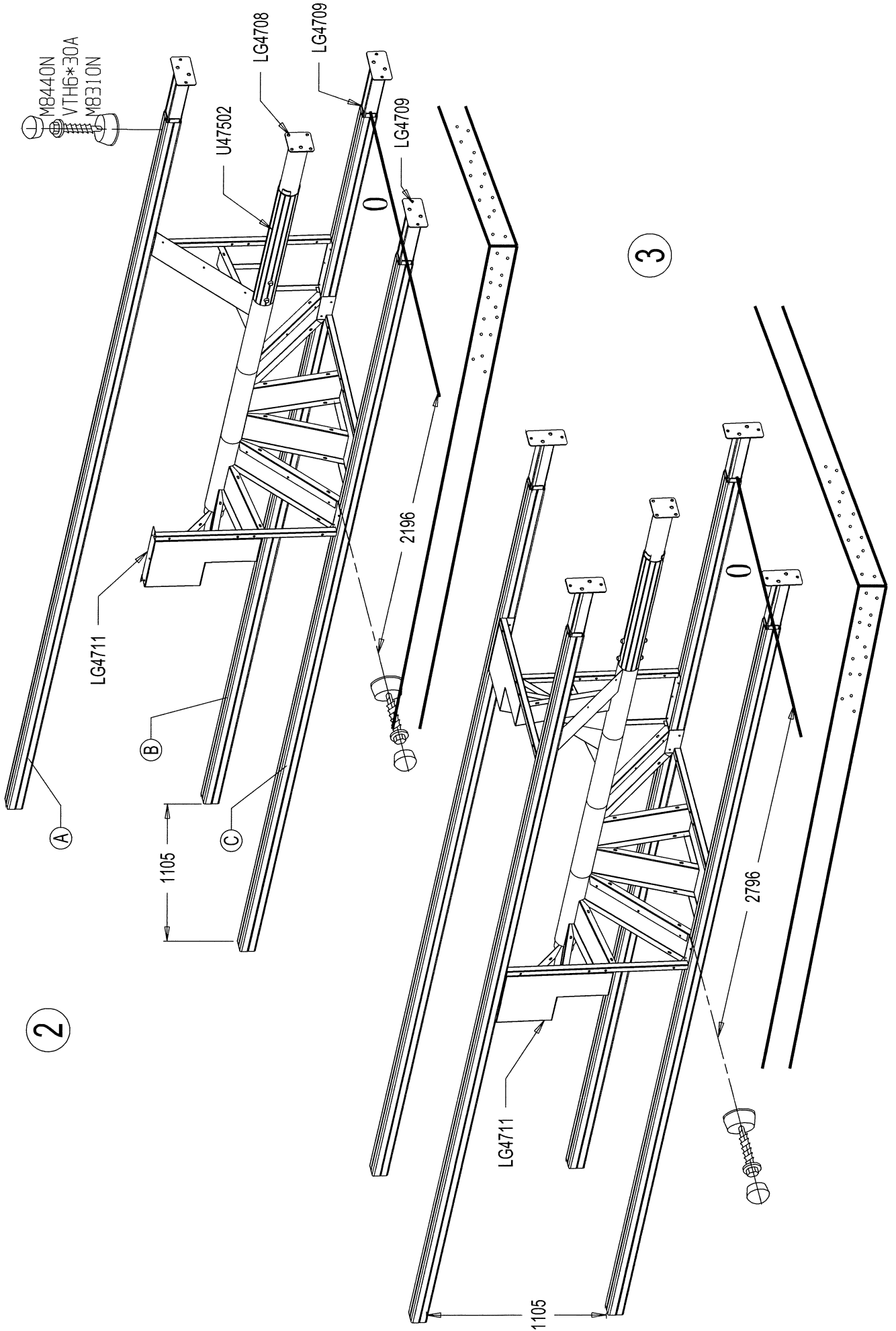
# Escalier 4 Modules

17/08/2014 *Projudic*

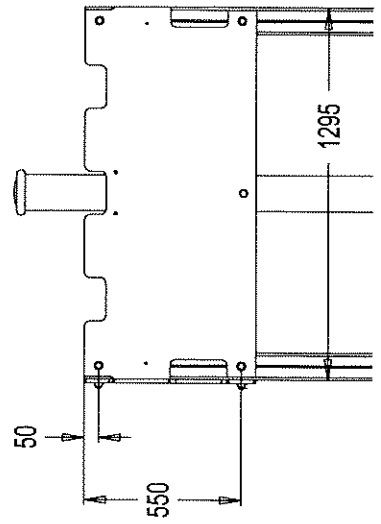
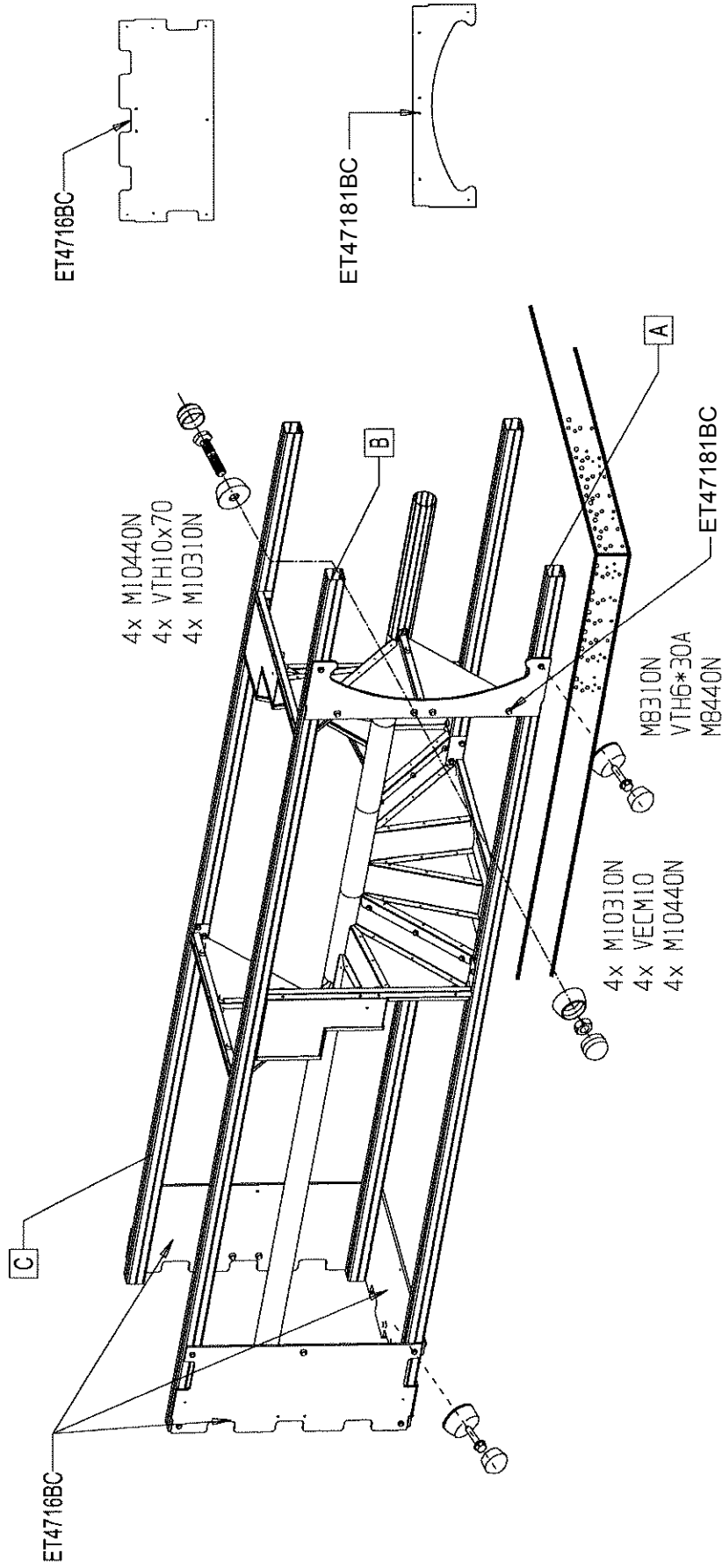


	M10310N	6
	M10440N	6
	VEFM10	6
	VCBHCM10*70	6
	VTH6*30A	58
	RD14M10	12
	VCBHCM8*30I	36
	VCBHCM8*20I	6
	M8310N	100
	M8440N	100
	VEFM8	42



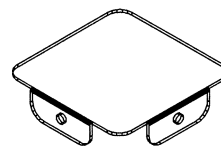
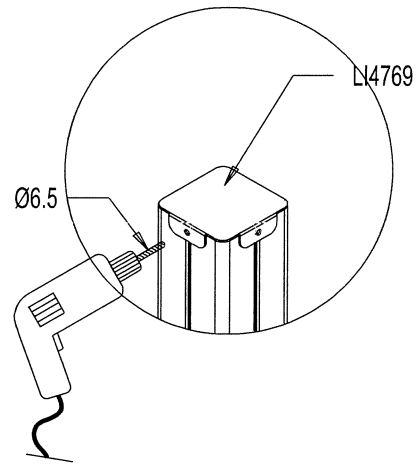
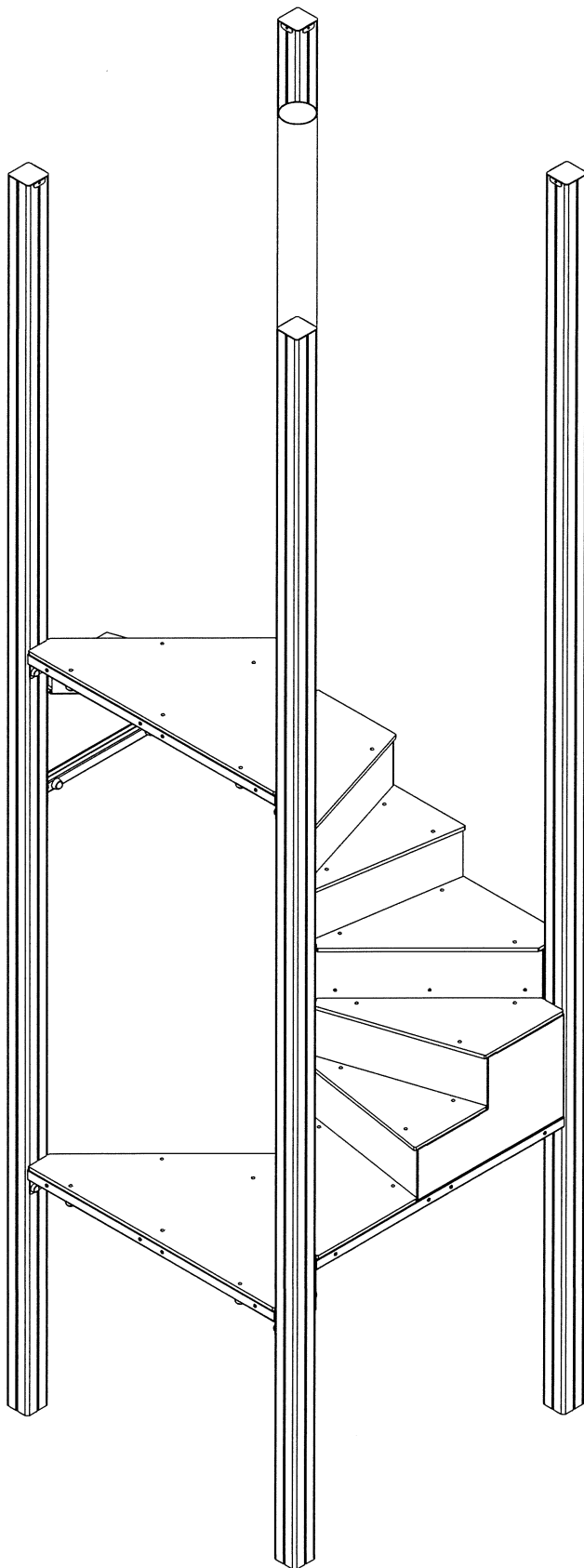




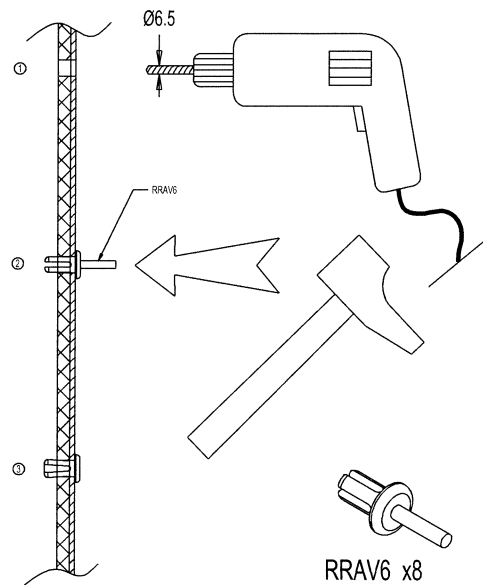


	MB310N	14
	MB440N	14
	VTH6*30A	14
	M10310	8
	M10440	8
	VECM10	4
	VTH 10x70	4

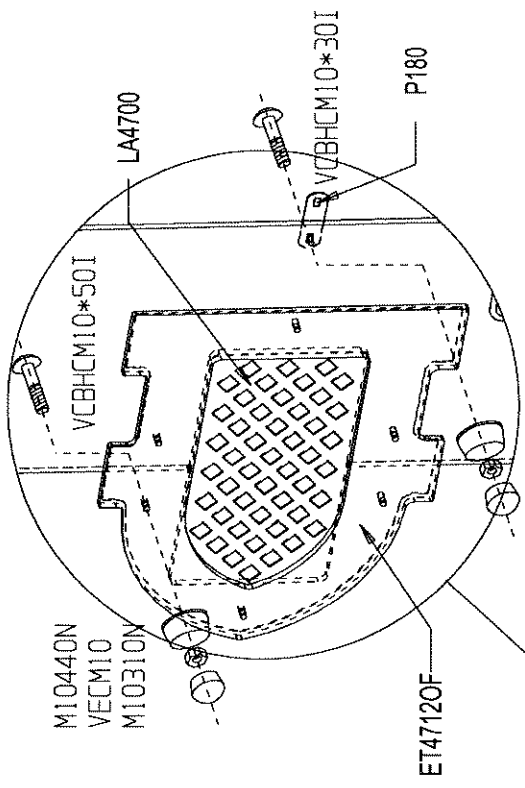
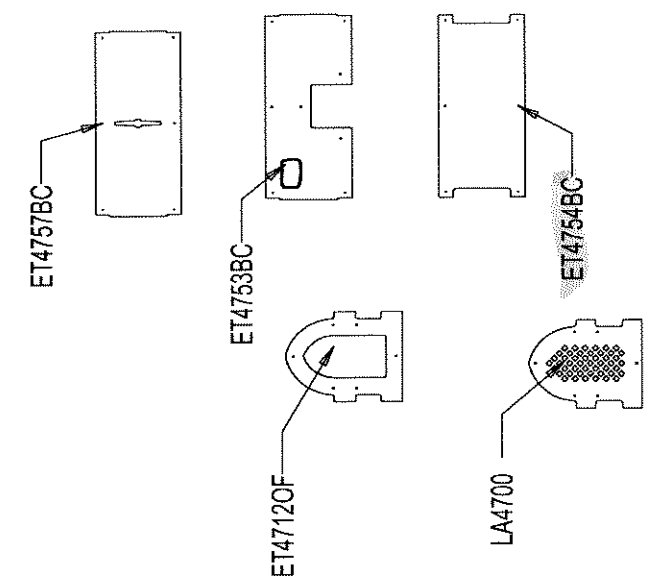
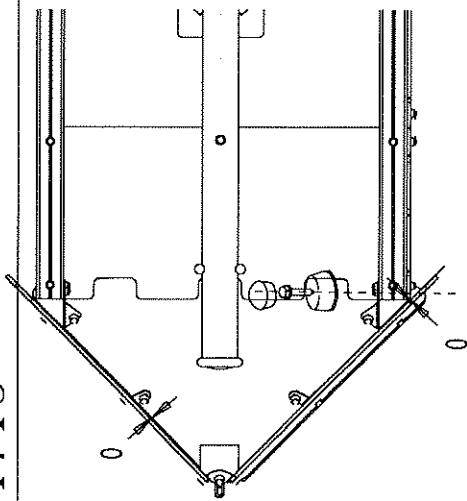




L14769 x4



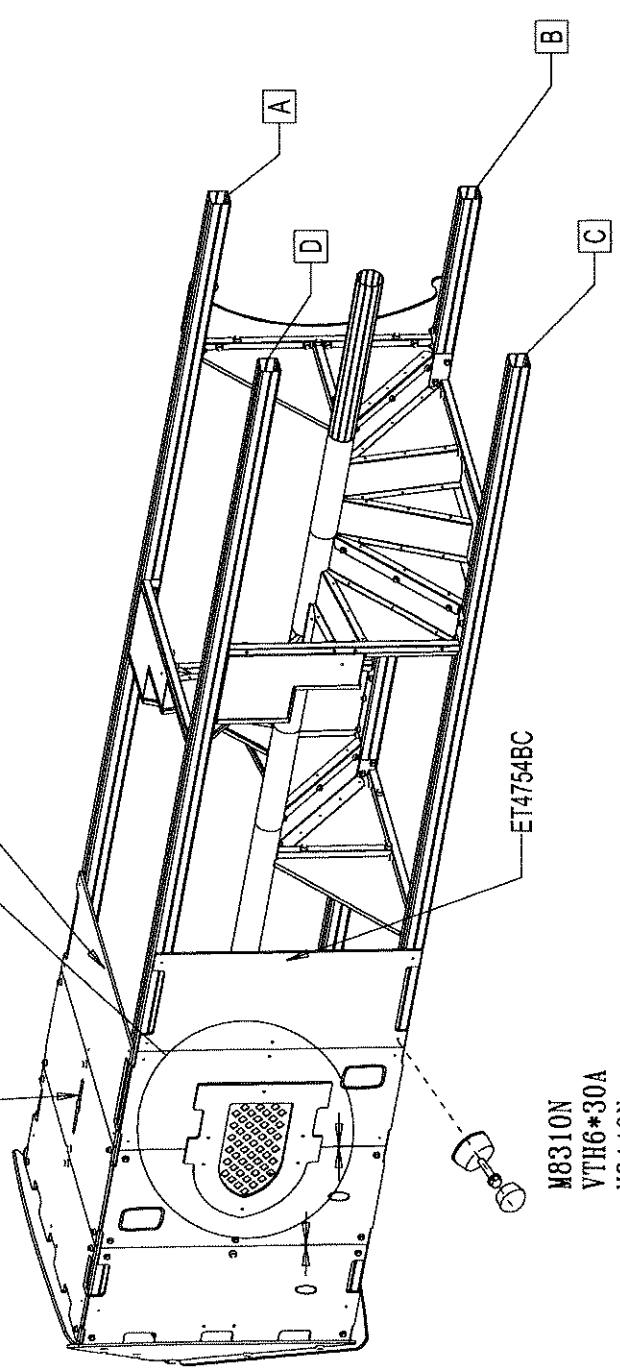
RRAV6 x8



M10440N  
VECM10  
M10310N

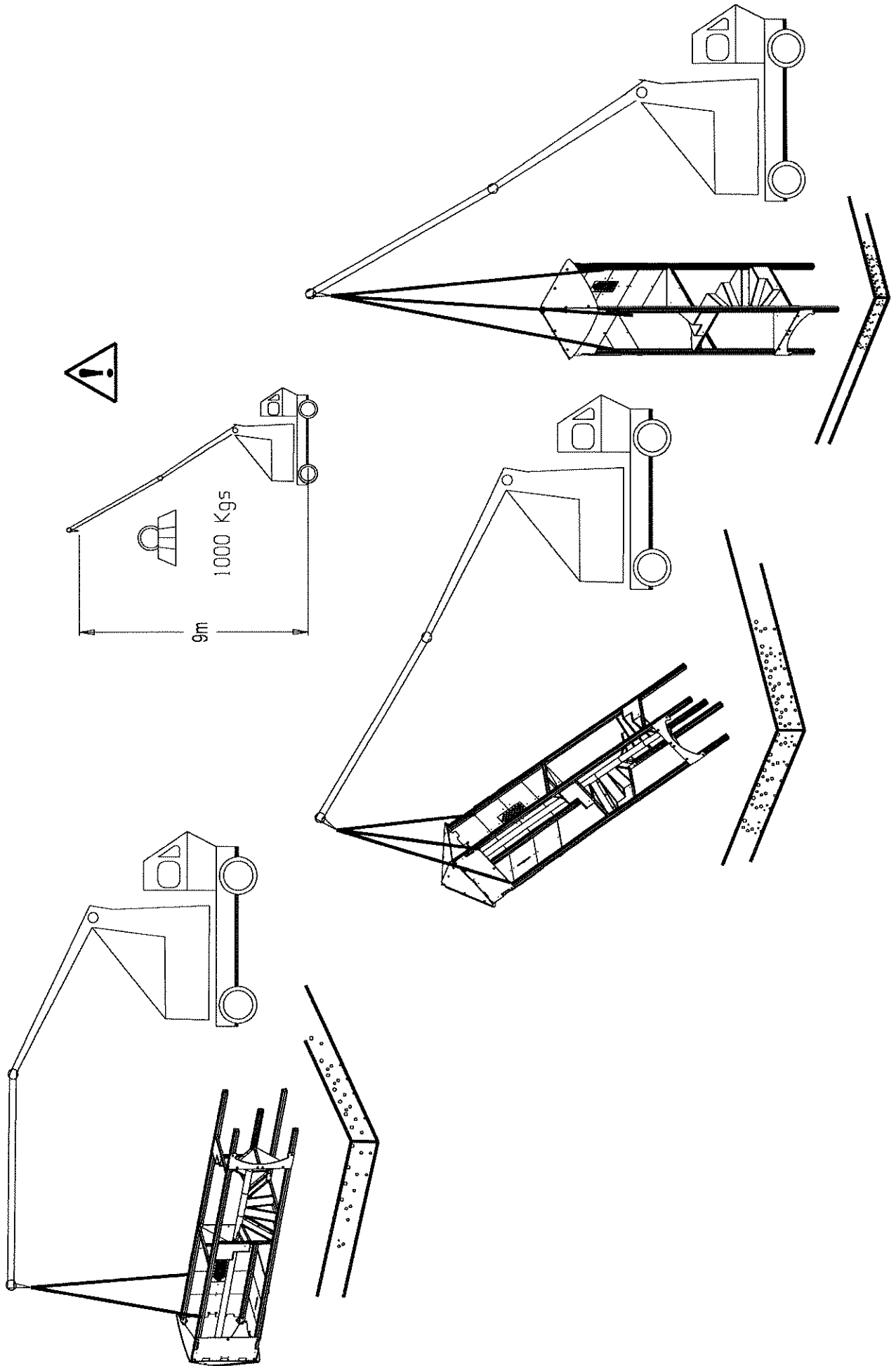
ET4754BC

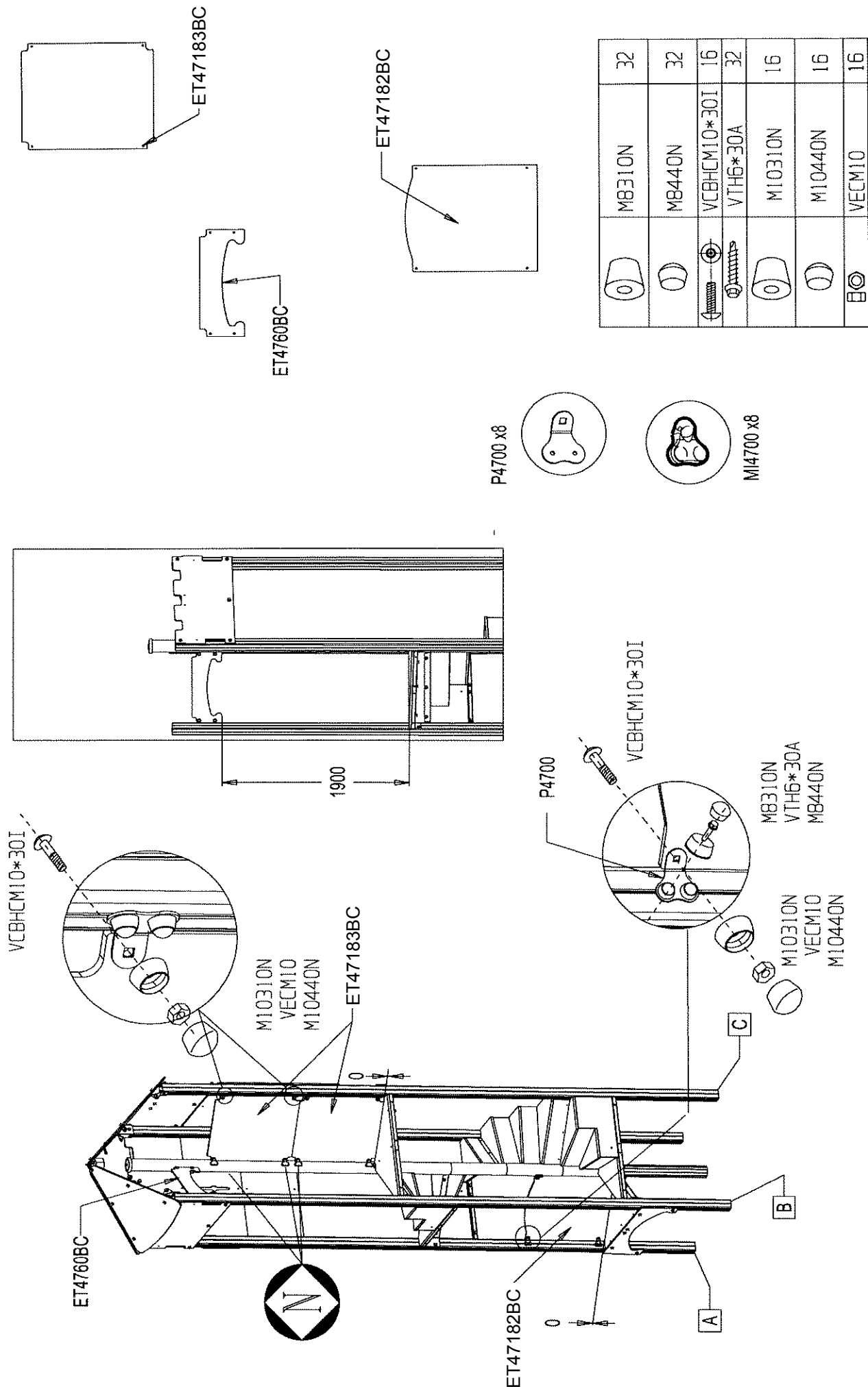
ET4757BC

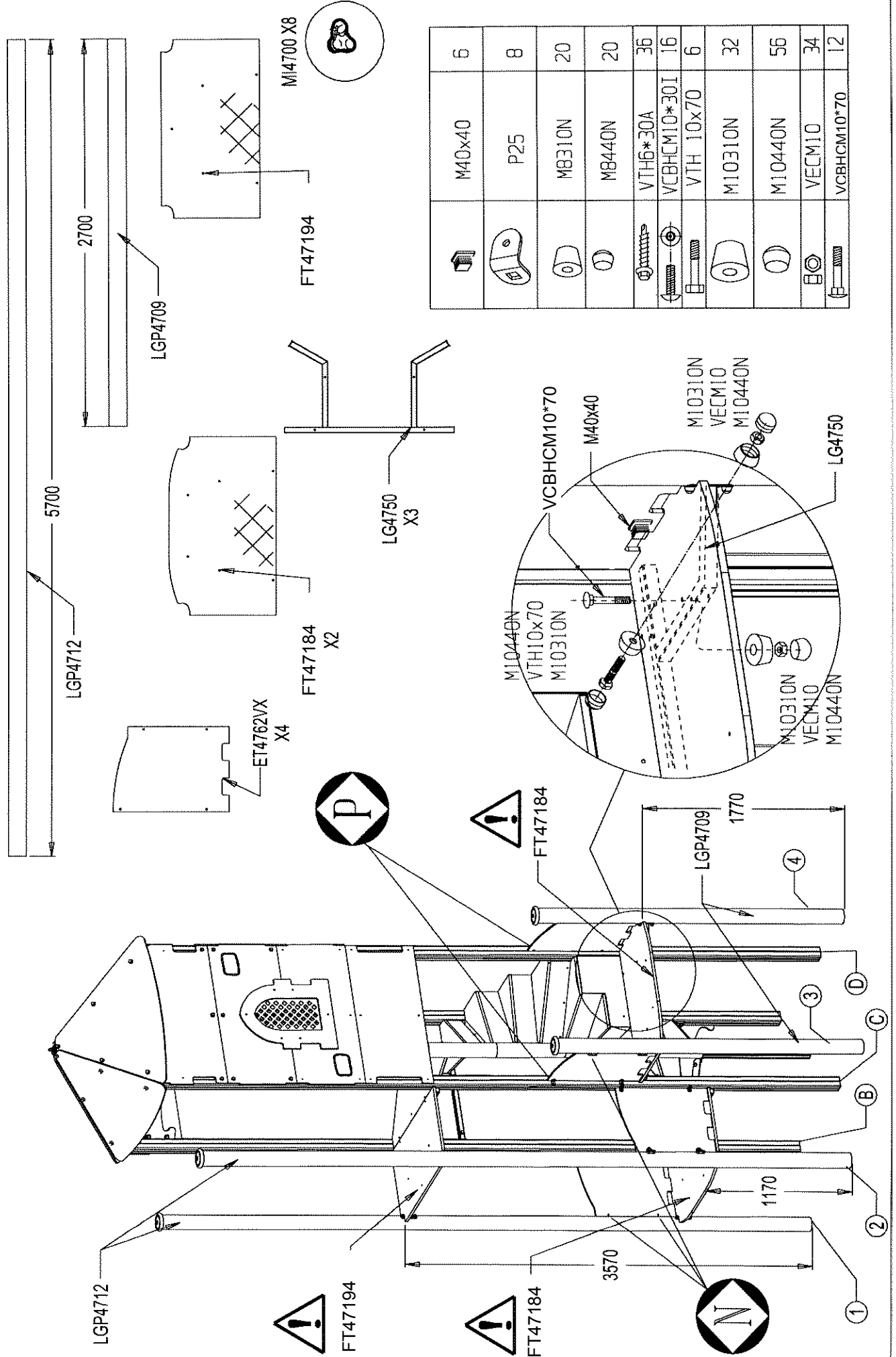


M8310N  
VTH6\*30A  
M8440N

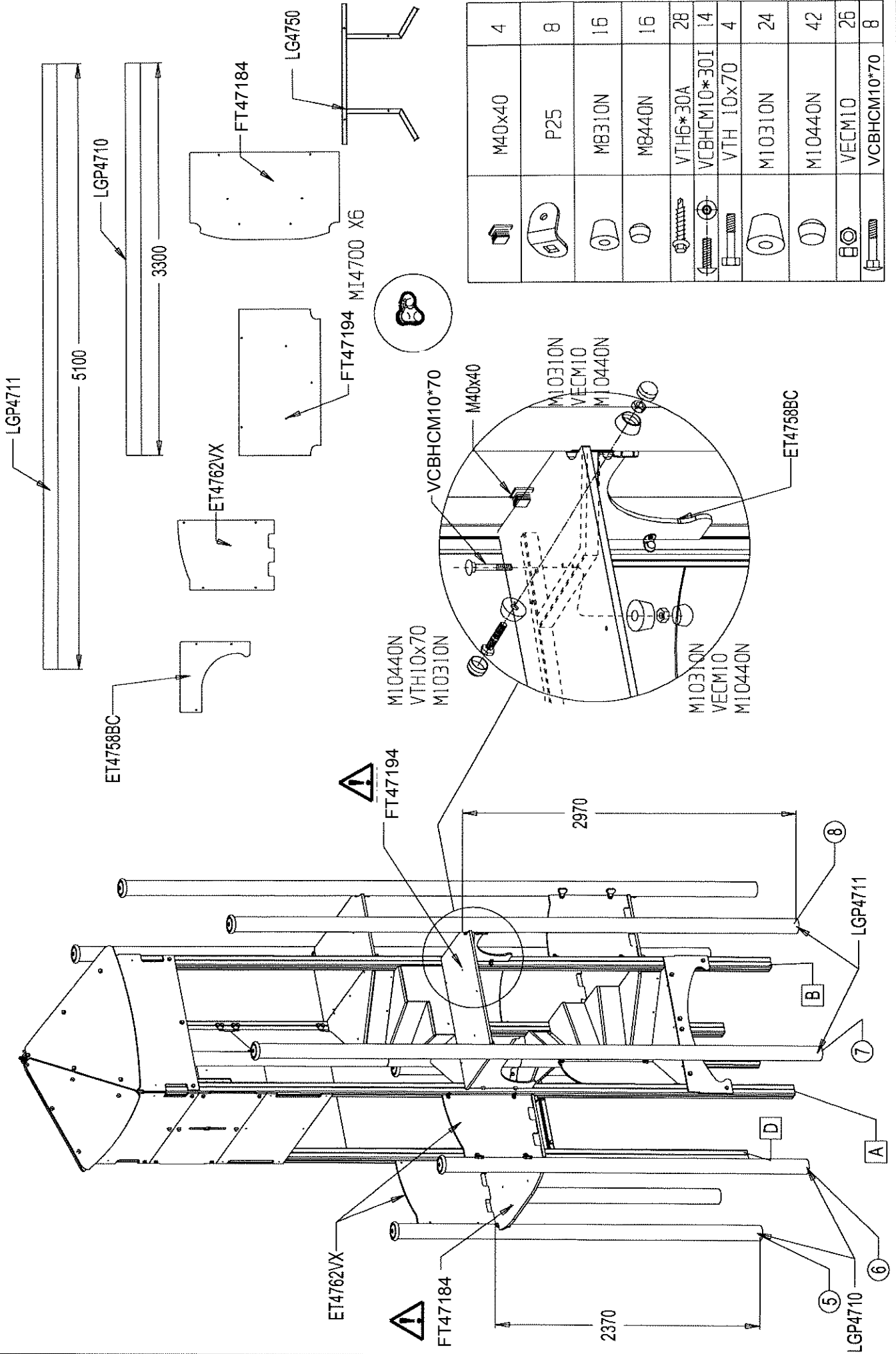
	VCBHCM10*50I	6
	M8310N	20
	M8440N	20
	VTH6*30A	20
	M10310	16
	M10440	16
	VECM10	16
	VCBHCM10*30I	10
	180° : P180	4



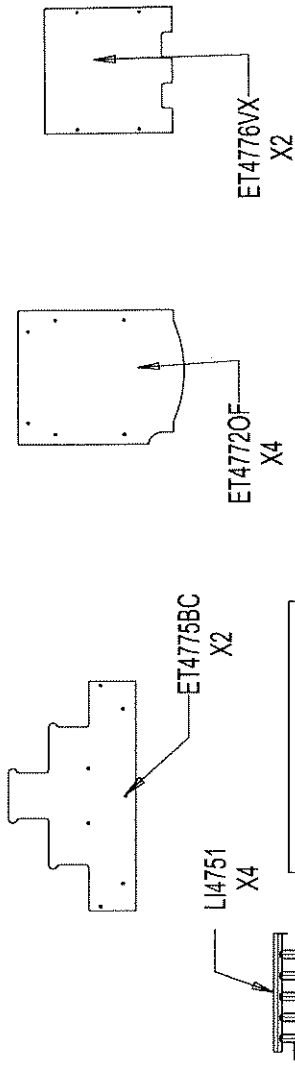
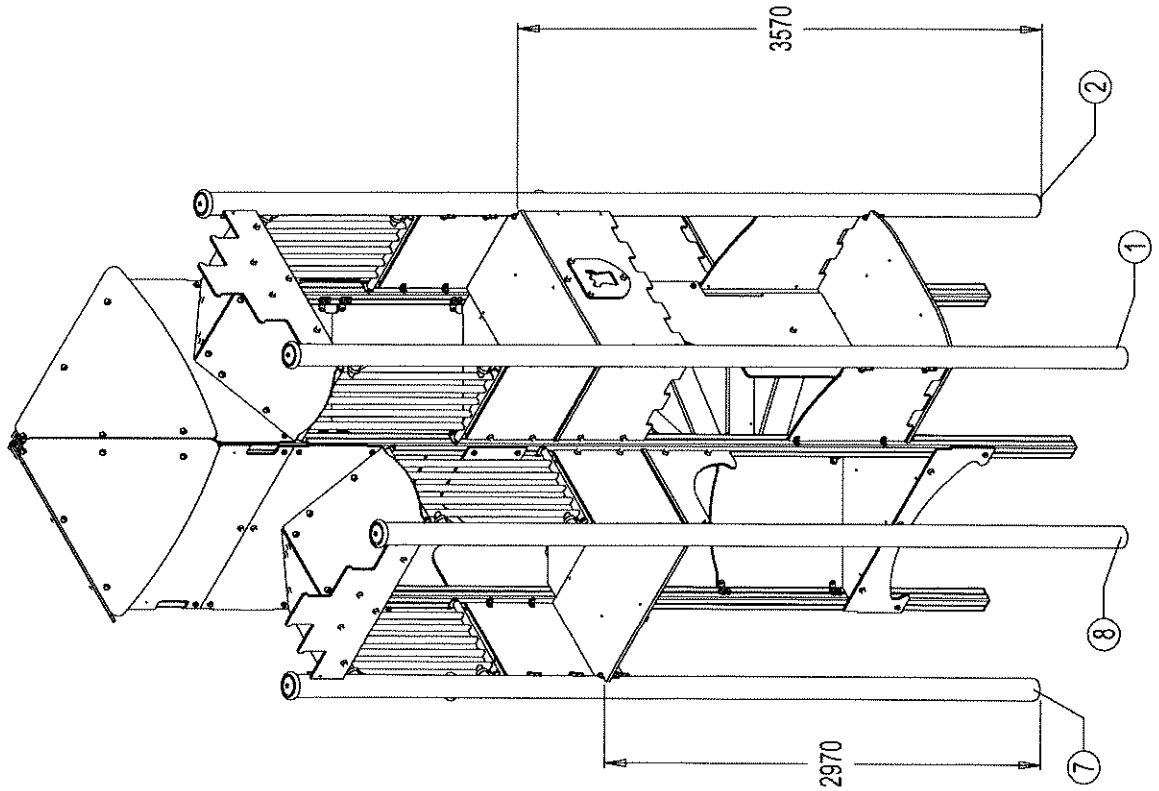




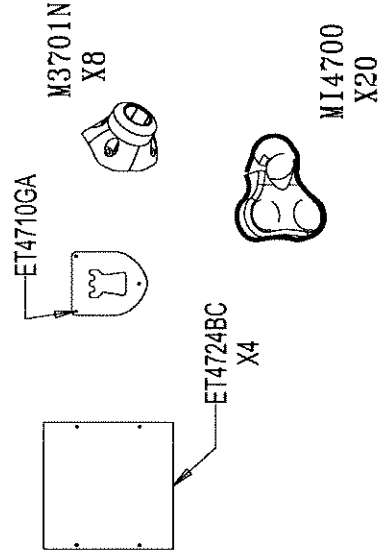
	M40x40	6
	P25	8
	MB310N	20
	MB440N	20
	VTH6*30A	36
	VCBHC10*30I	16
	VTH 10x70	6
	M10310N	32
	M10440N	56
	VECM10	34
	VCBHC10*70	12

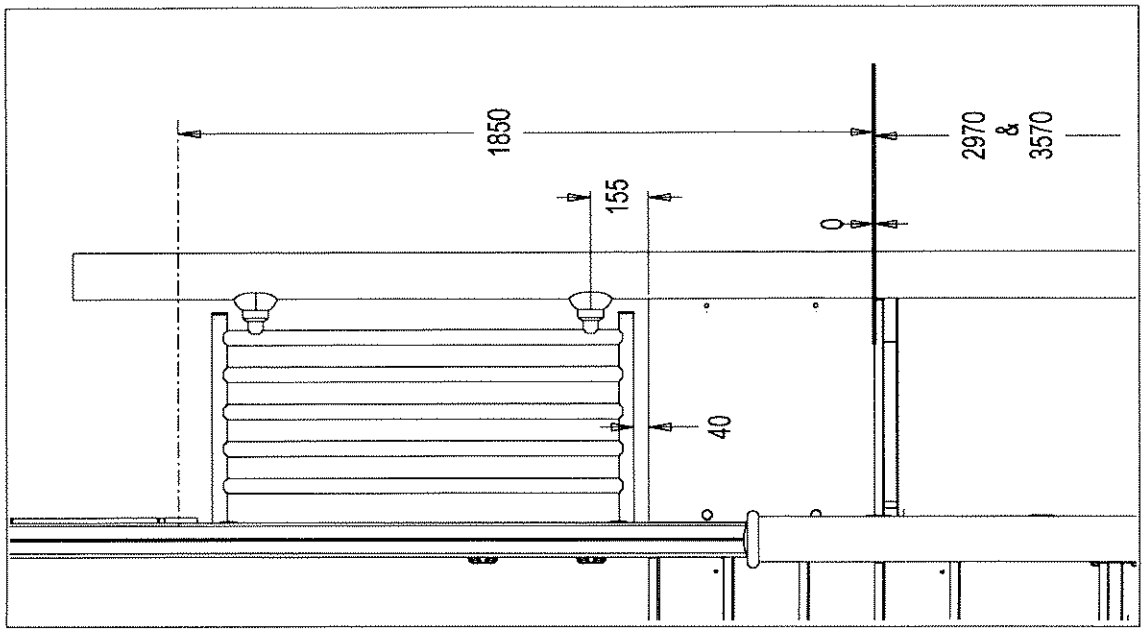
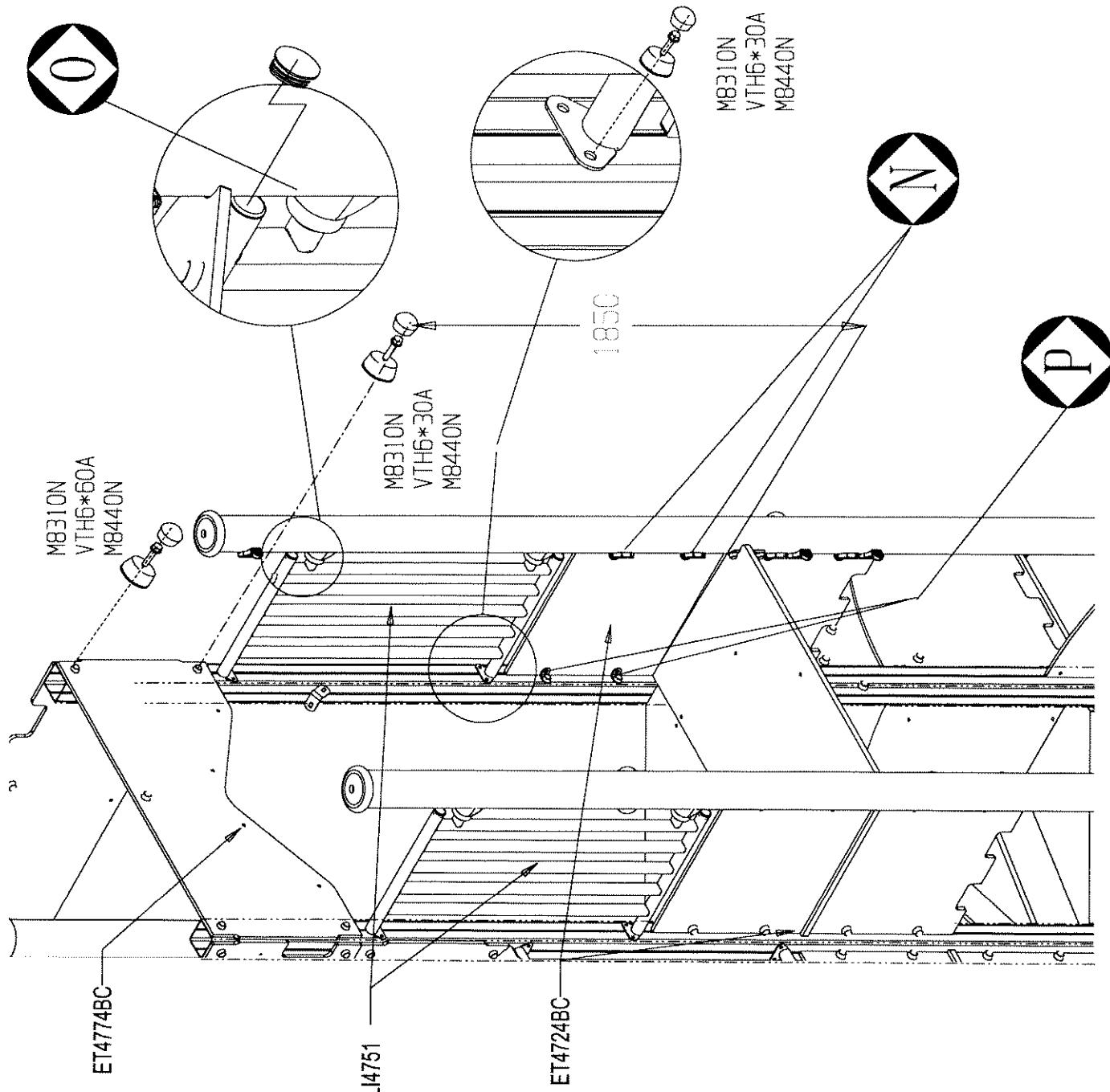


	M40x40	4
	P25	8
	M8310N	16
	M8440N	16
	VTH6*30A	28
	VCBHCM10*30I	14
	VTH 10x70	4
	M10310N	24
	M10440N	42
	VECM10	26
	VCBHCM10*70	8

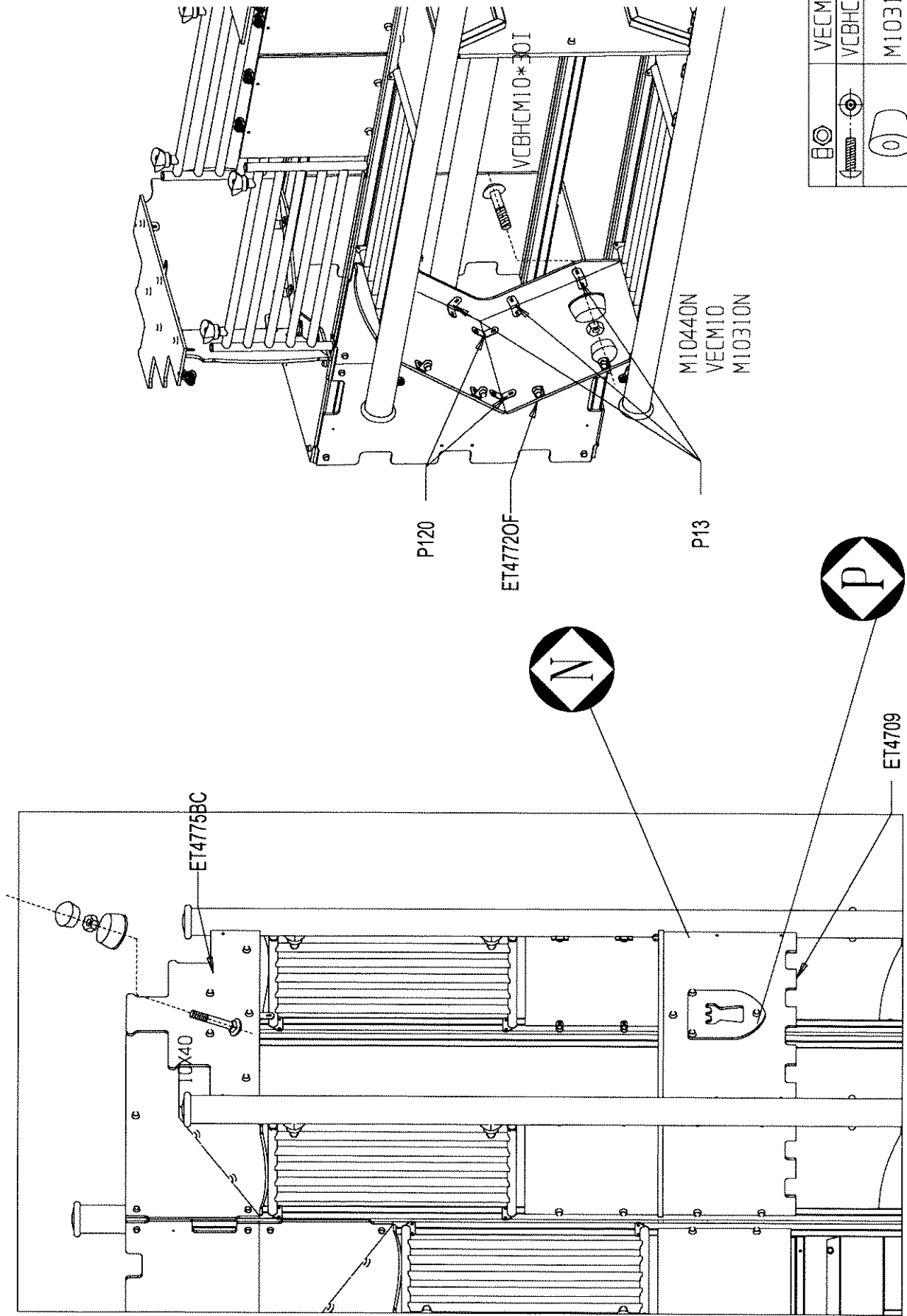


	VCBHC M10*40I	3
	180° : P180	2
	P25	12
	VCBHC M10*30I	74
	M42	8
	120° : P120	4
	70 mm : P13	16
	M10310N	57
	M10440N	117
	VECM10	77
	M8310N	28
	M8440N	28
	VTH6*30A	100

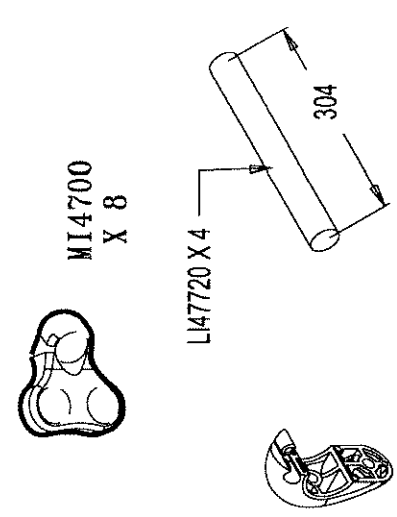
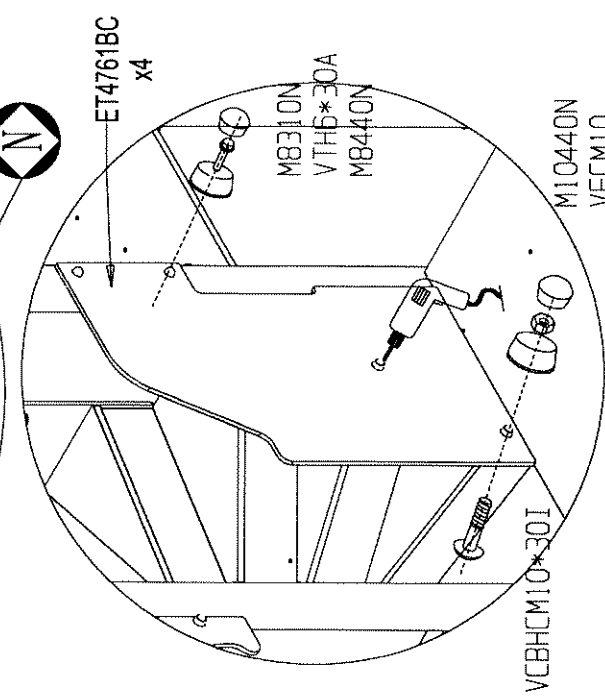
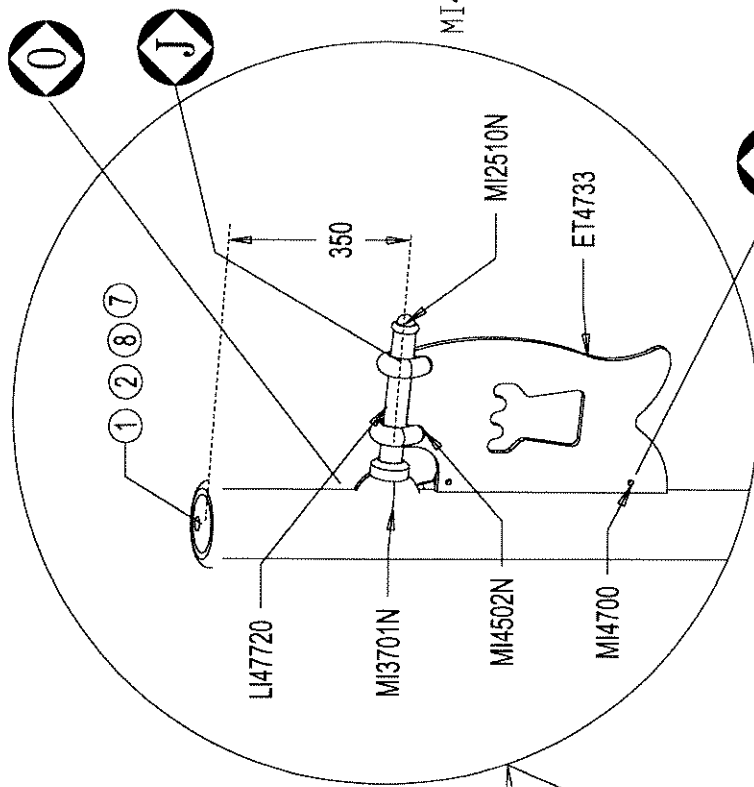




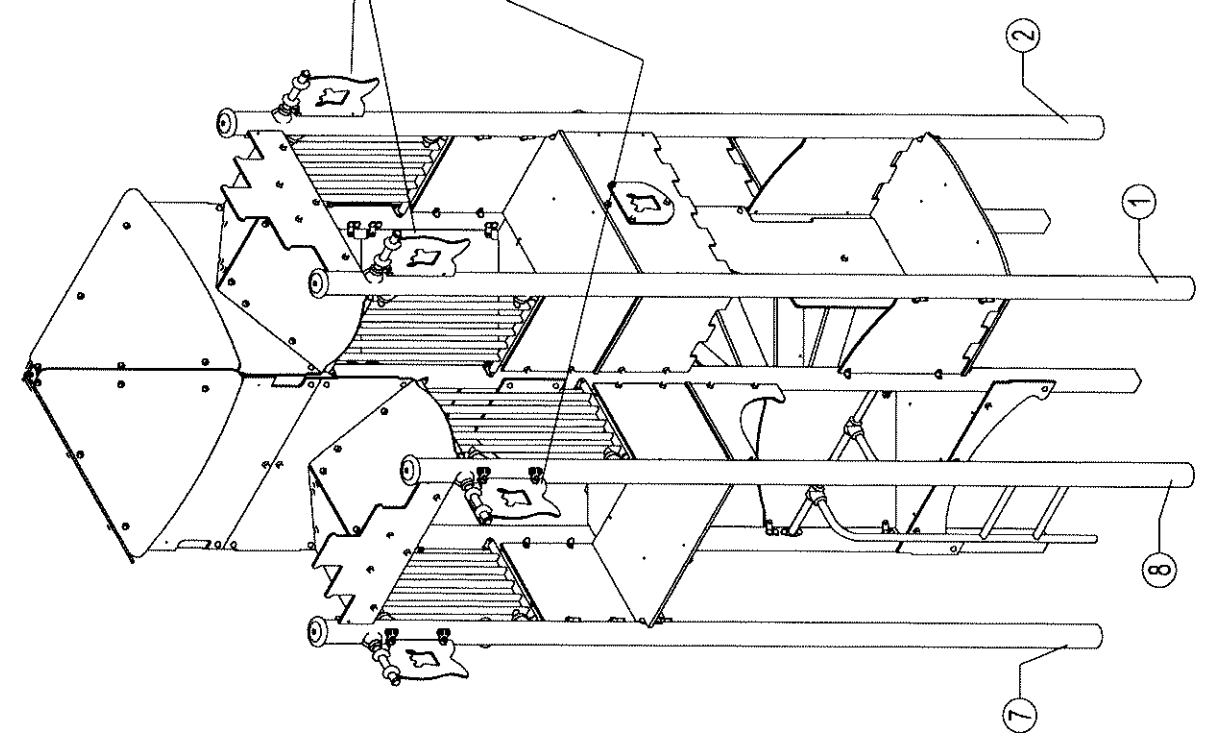


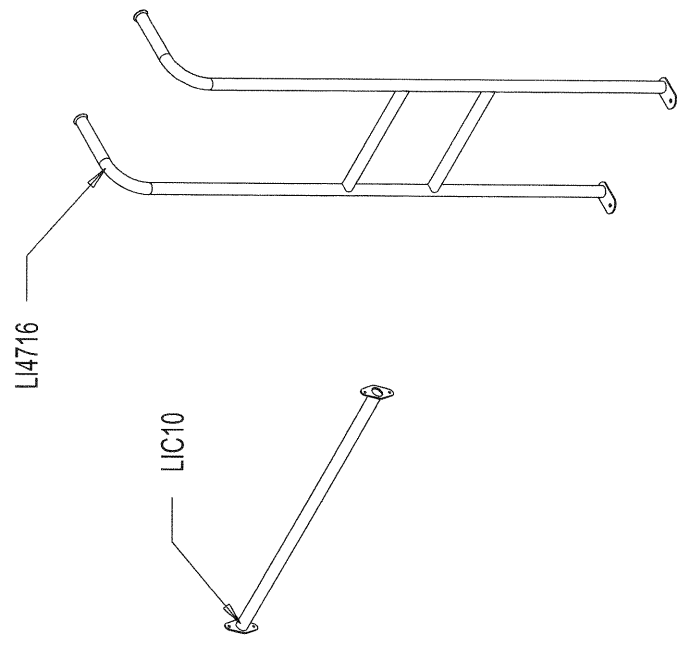


	VECM10	16
	VCBHC M10*30I	16
	M10310N	16
	M10440N	16



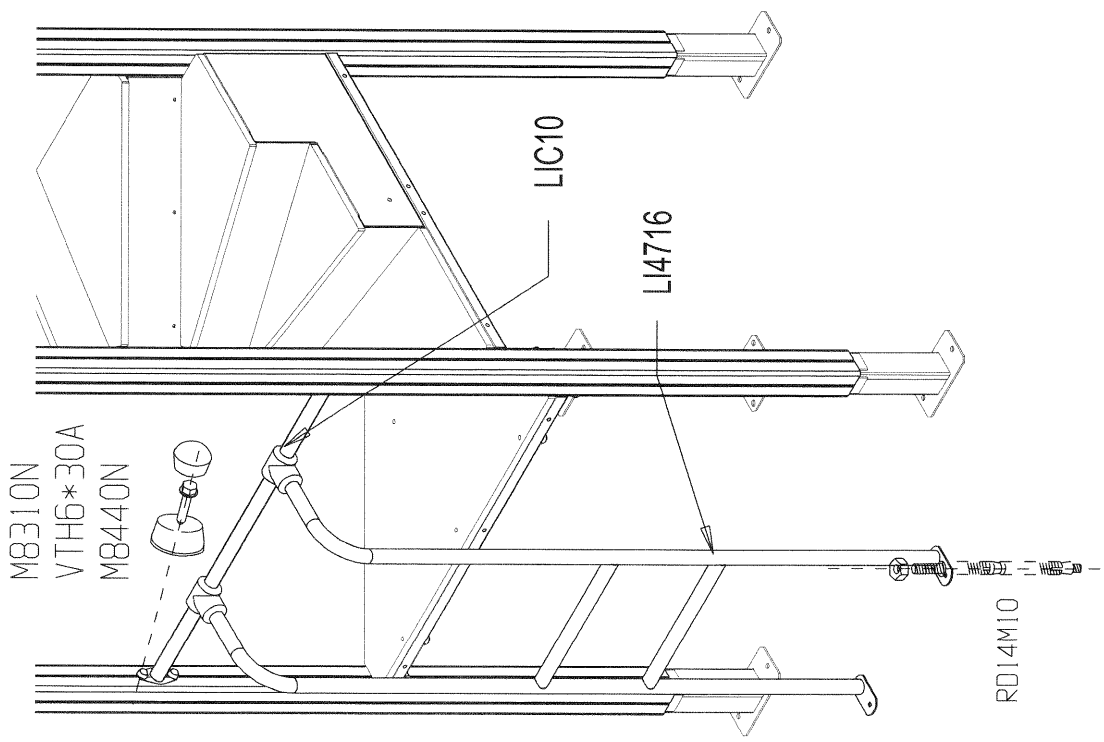
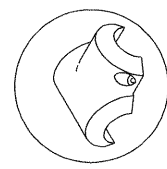
	VECM8	8
	VBTR8*25	8
	MI4503N	16
	VGC8*55I	4
	VTH 6x60 AUTO	16
	MI3701N	4
	M8310N	10
	M8440N	10
	VTH6*30A	10
	VECM10	10
	VCBHCM10*30I	10
	M10310N	10
	M10440N	10

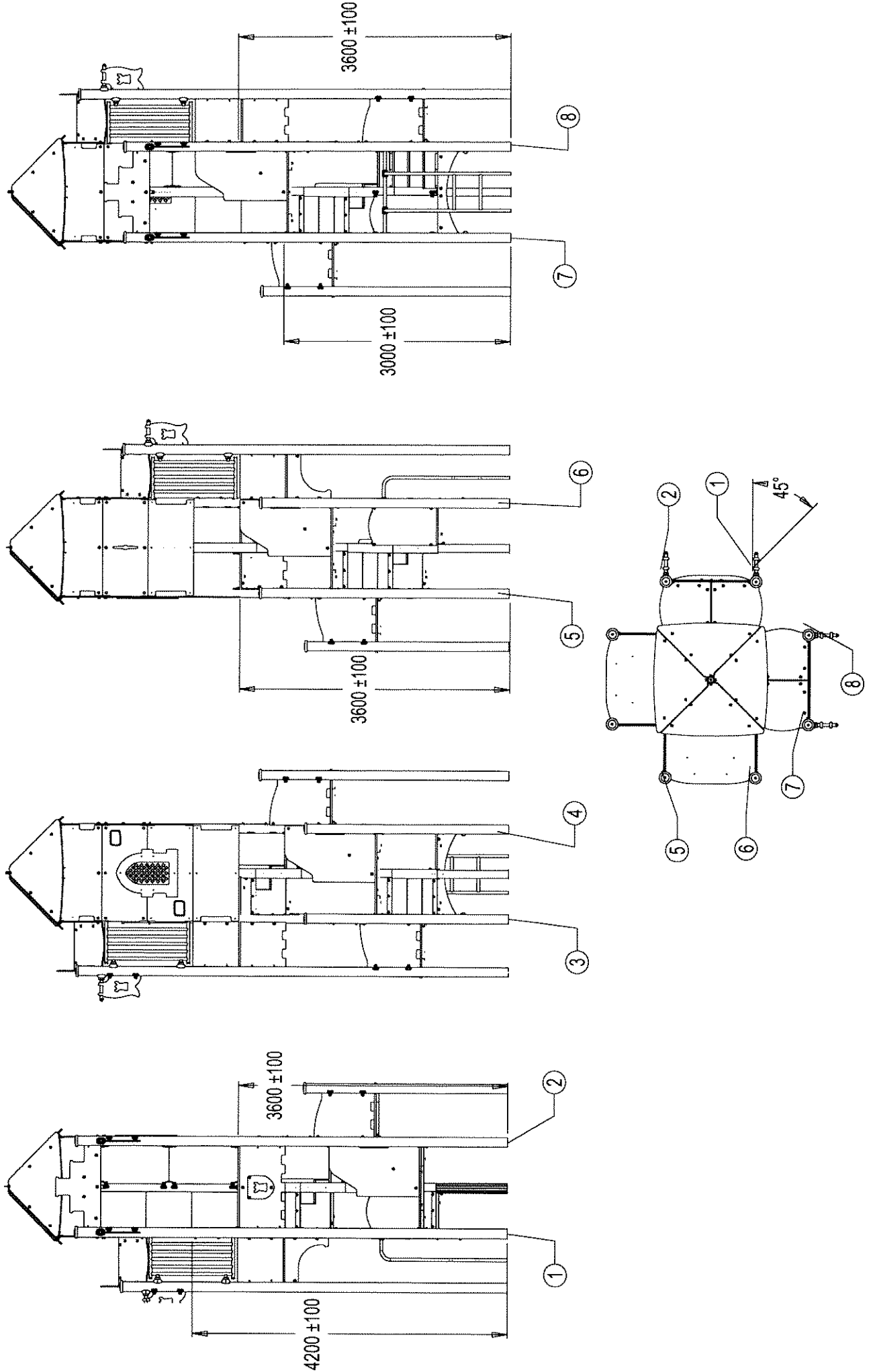


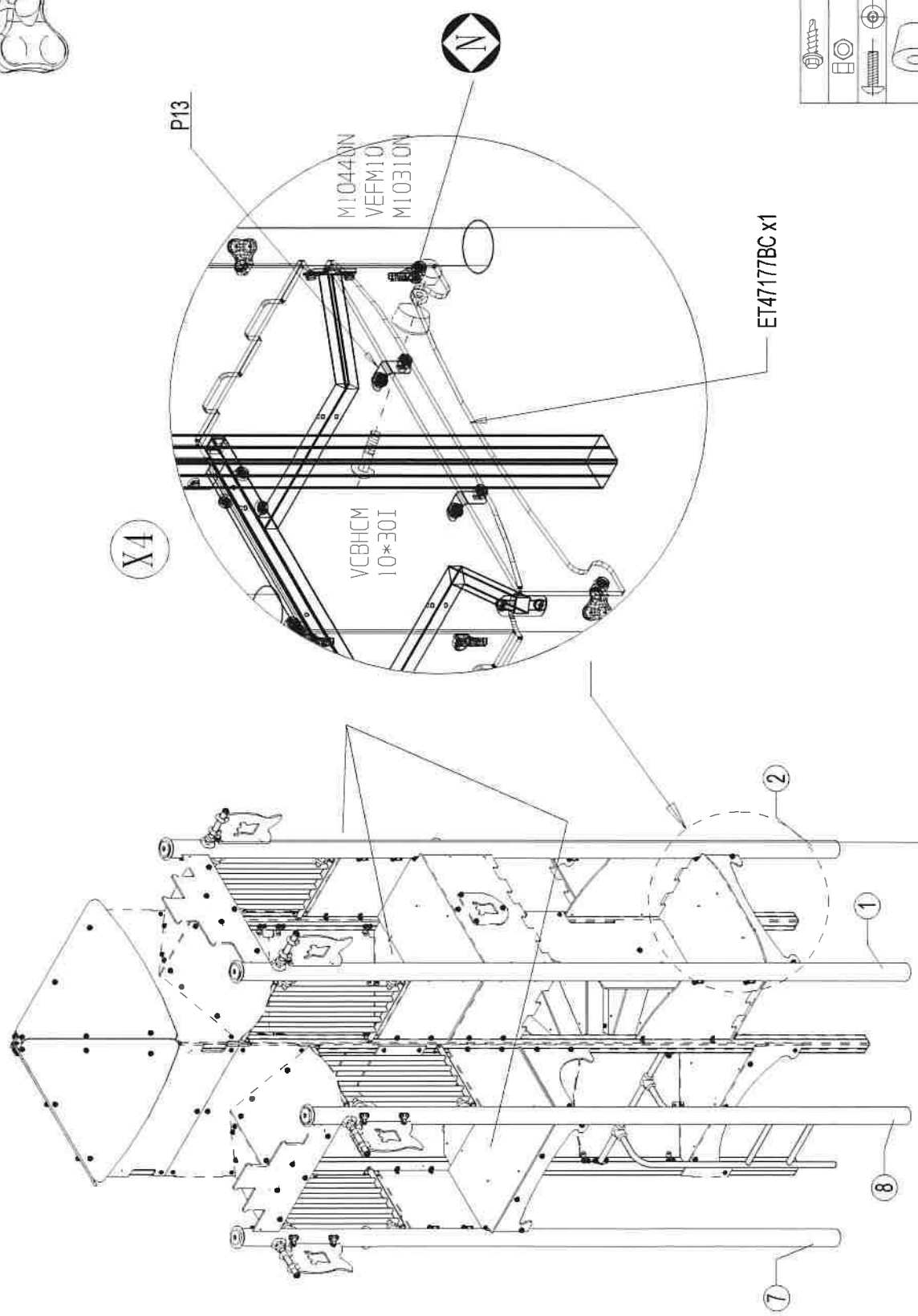


	M8310N	4
	M8440N	4
	VTH6*30A	4
	VCZX 6x25	8
	VEBM6	4
	RD14M10	2

MI2502N x4

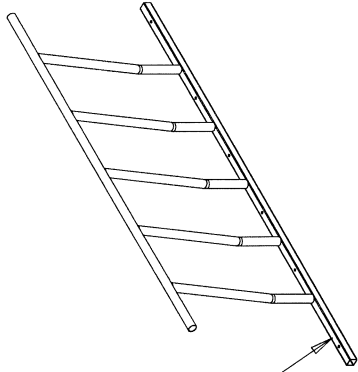
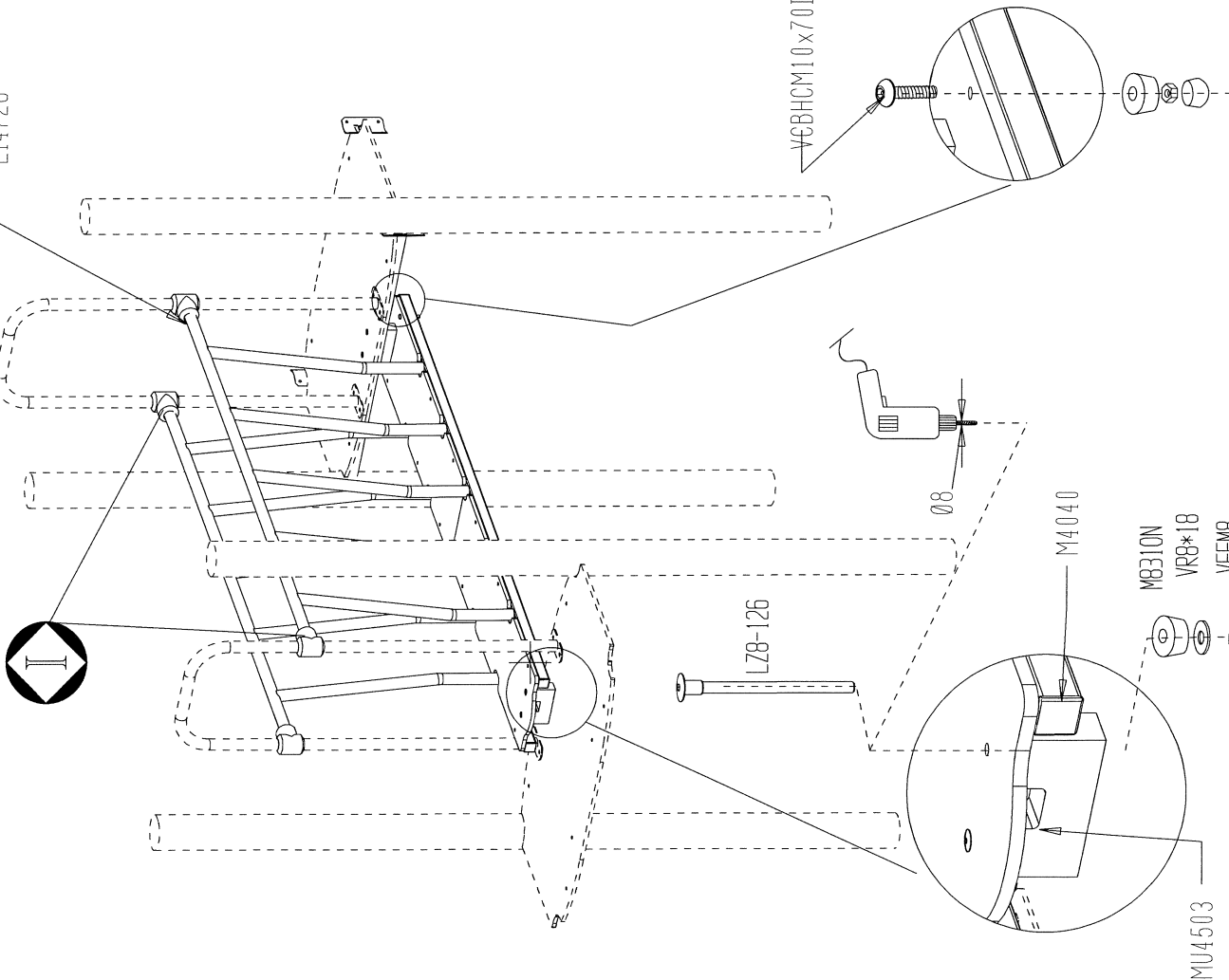




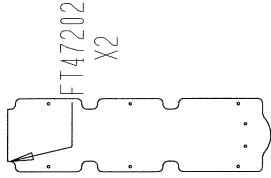


	VTH6*30A	10
	VECM10	10
	VCBHCM10*30I	10
	M10310N	10
	M10440N	10

LI4728

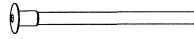
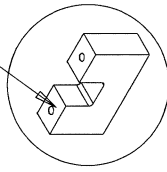


LI4728  
X2

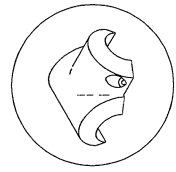


FT47202  
X2

MU4503  
X2



LZ8-126 x 4



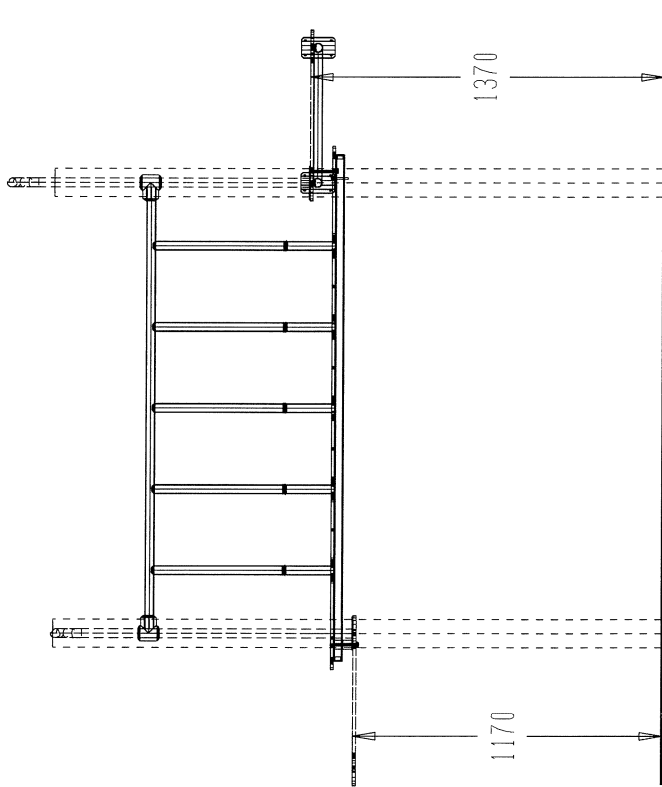
MI2502N X 8




	VCZX 6x25	16
	VEBM6	16
	M4040	4
	M10310N	12
	M10440N	12
	VEFM10	12
	VCBHC10*70I	12

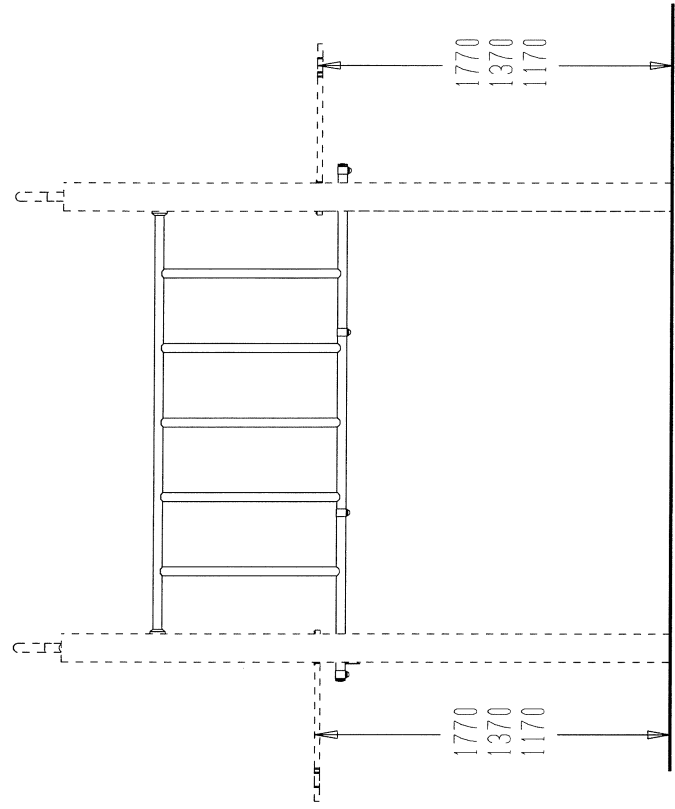
M8310N  
VR8\*18  
VEFM8  
M8440N

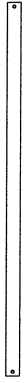
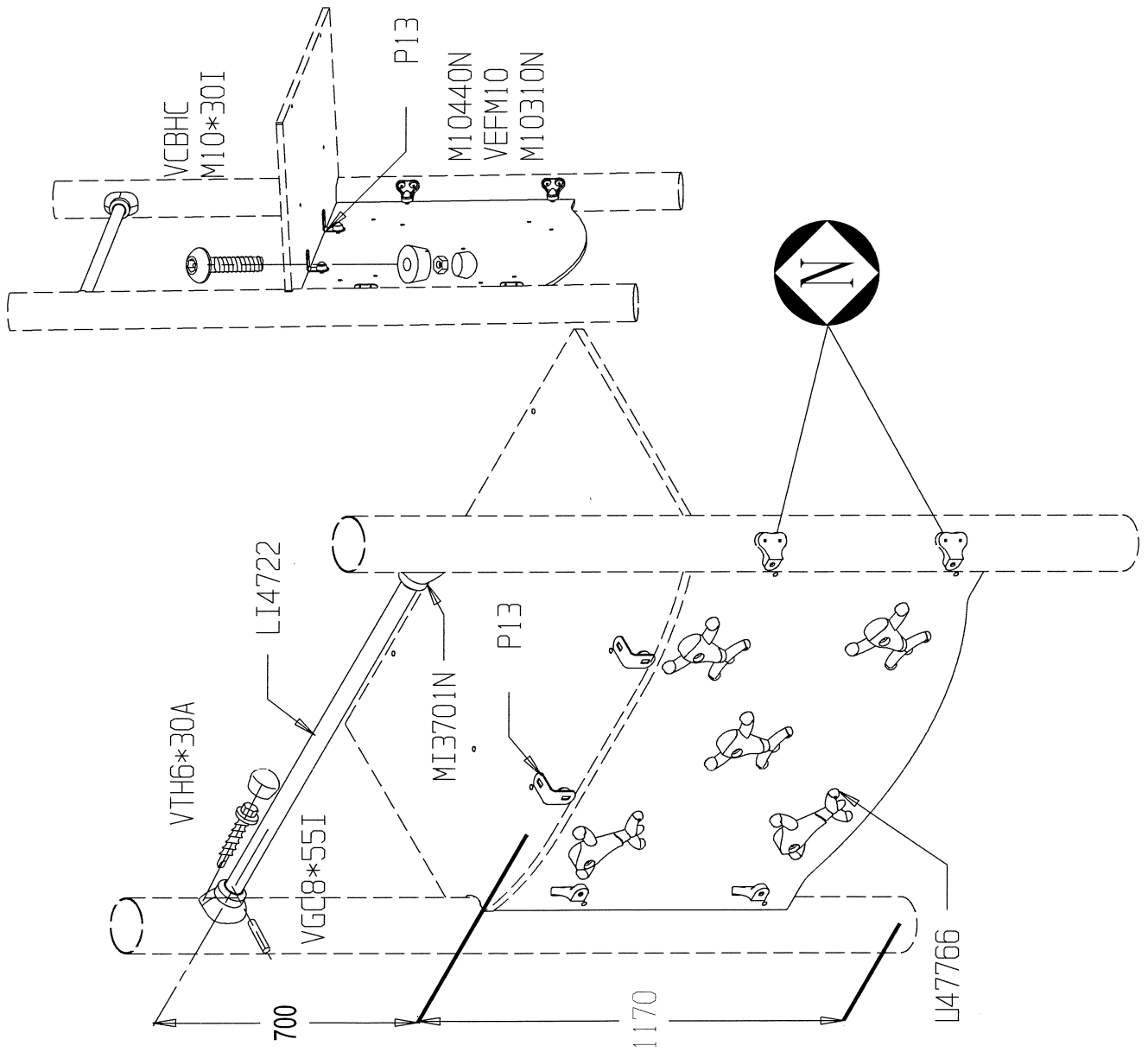
MU4503

HT 1170        HT1370



HT 1170        HT1170  
HT 1370        HT1370  
HT 1770        HT1770



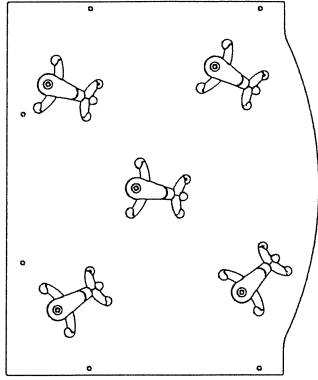


LI4722  
x1

MI4700 x4

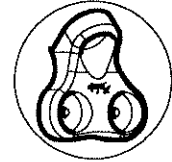
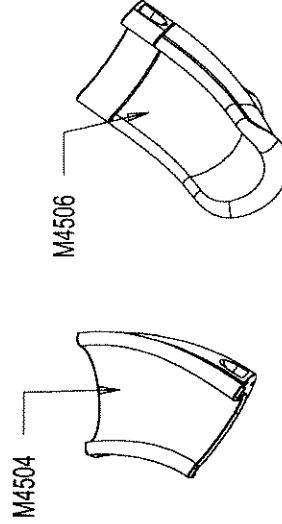
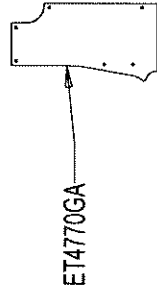
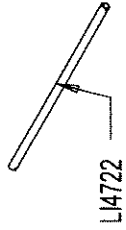
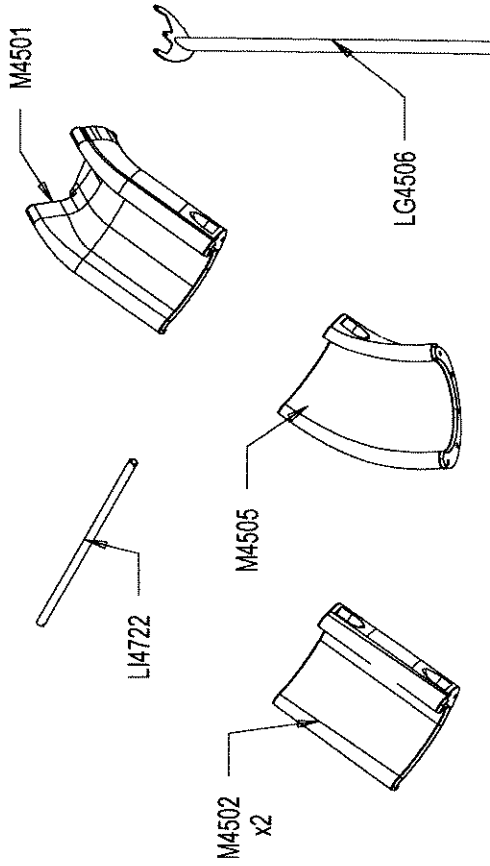
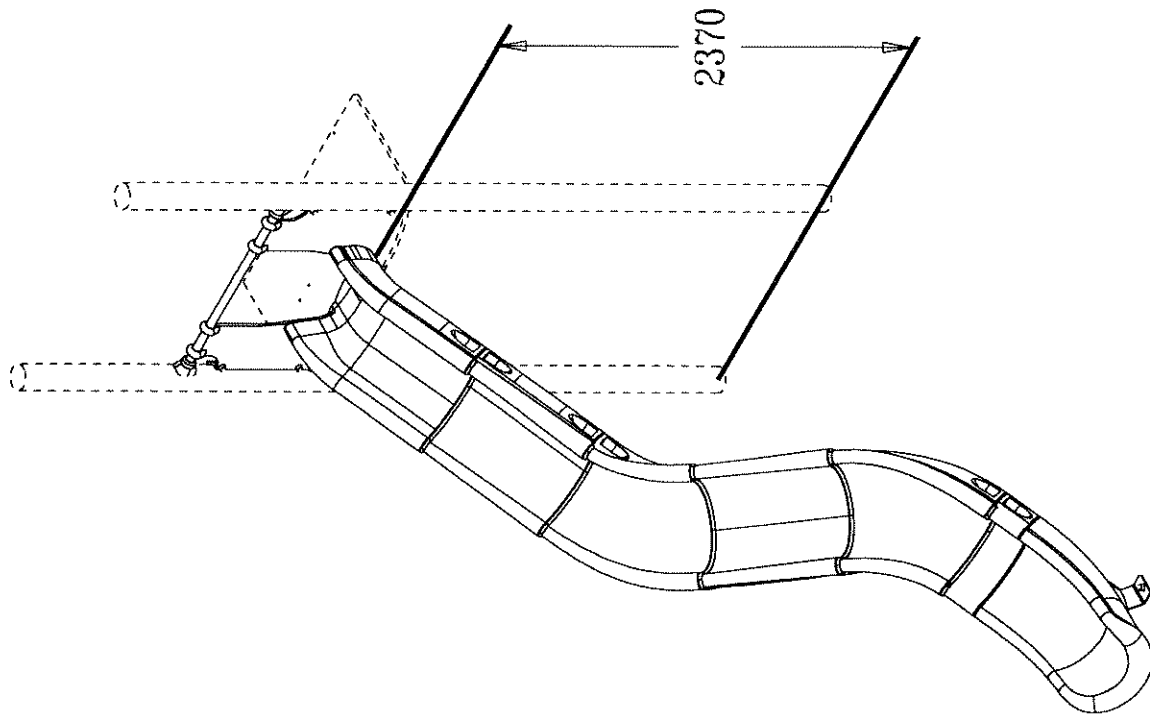


LI47766  
x1

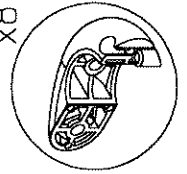


	P13	2
	M10310N	4
	M10440N	16
	VEFM10	8
	VCBHC M10*30	8
	VGC8*55I	2
	VTH6x30A	16
	MI3701N	2

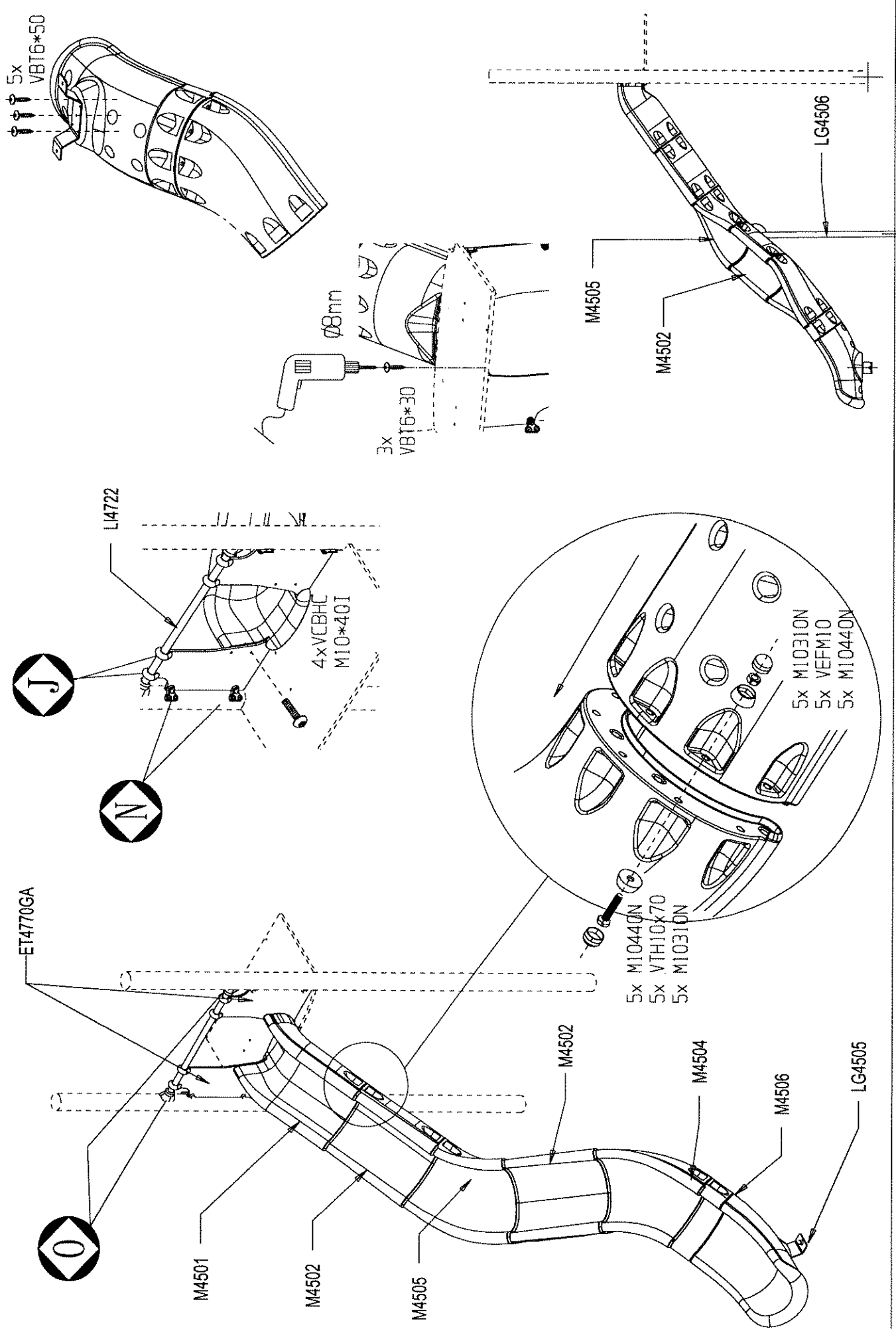


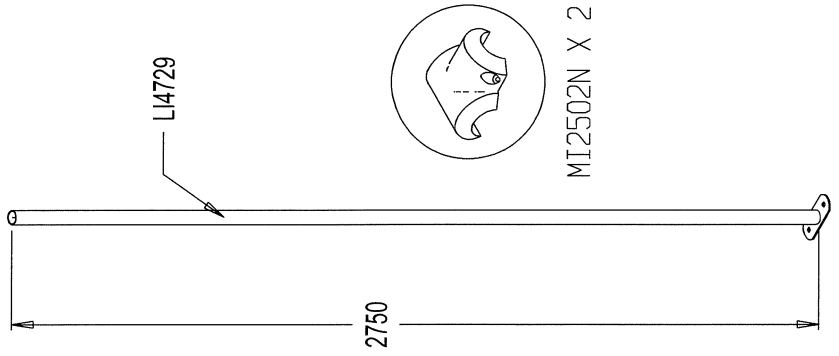
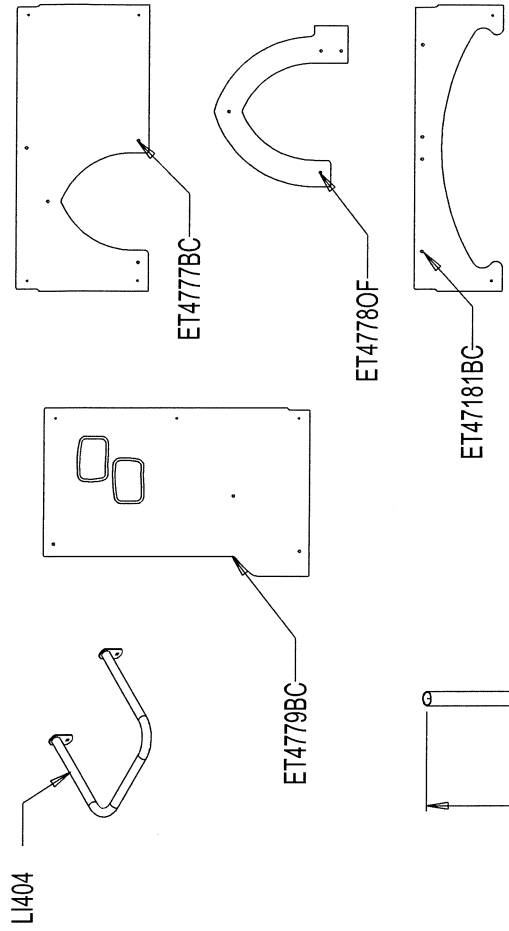
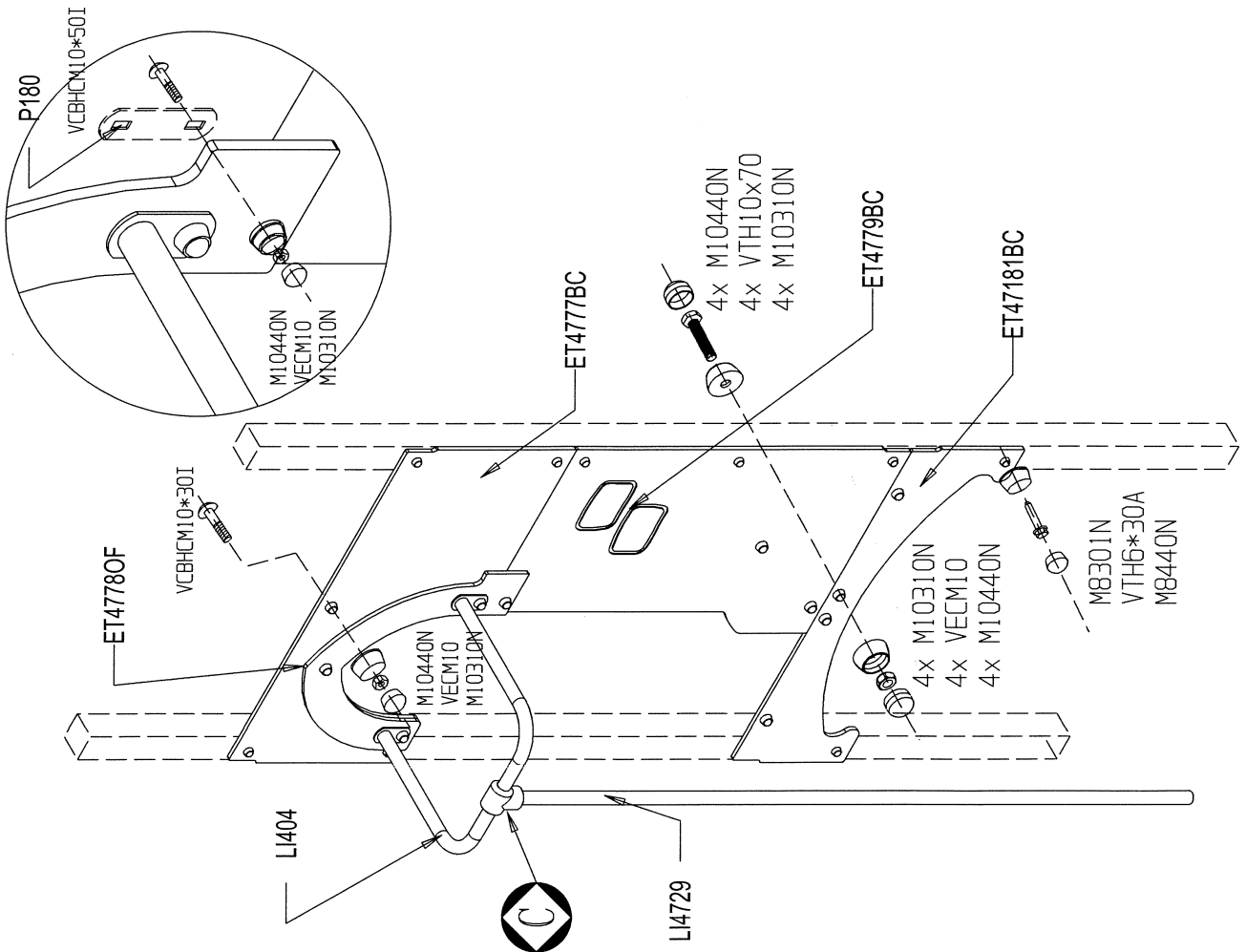


MI4502N x8

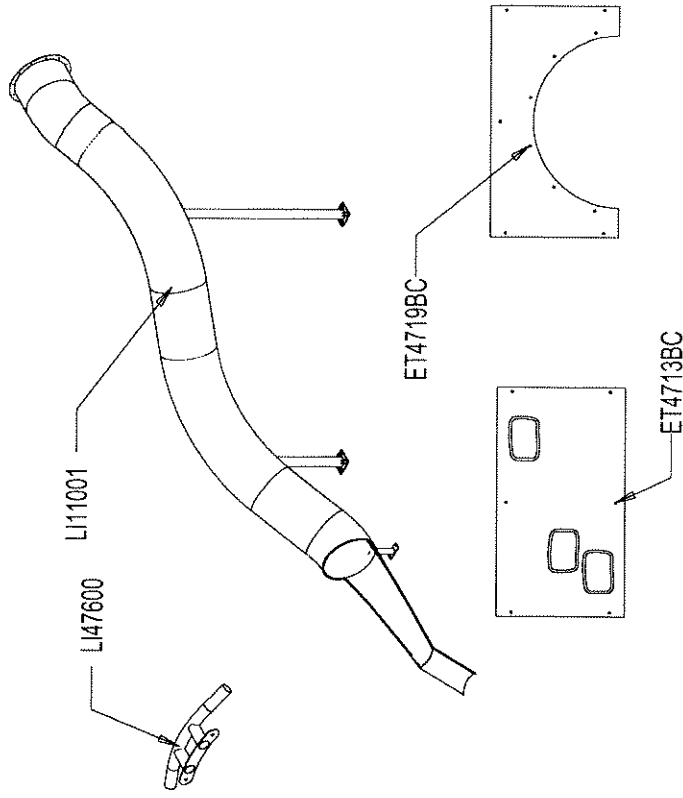
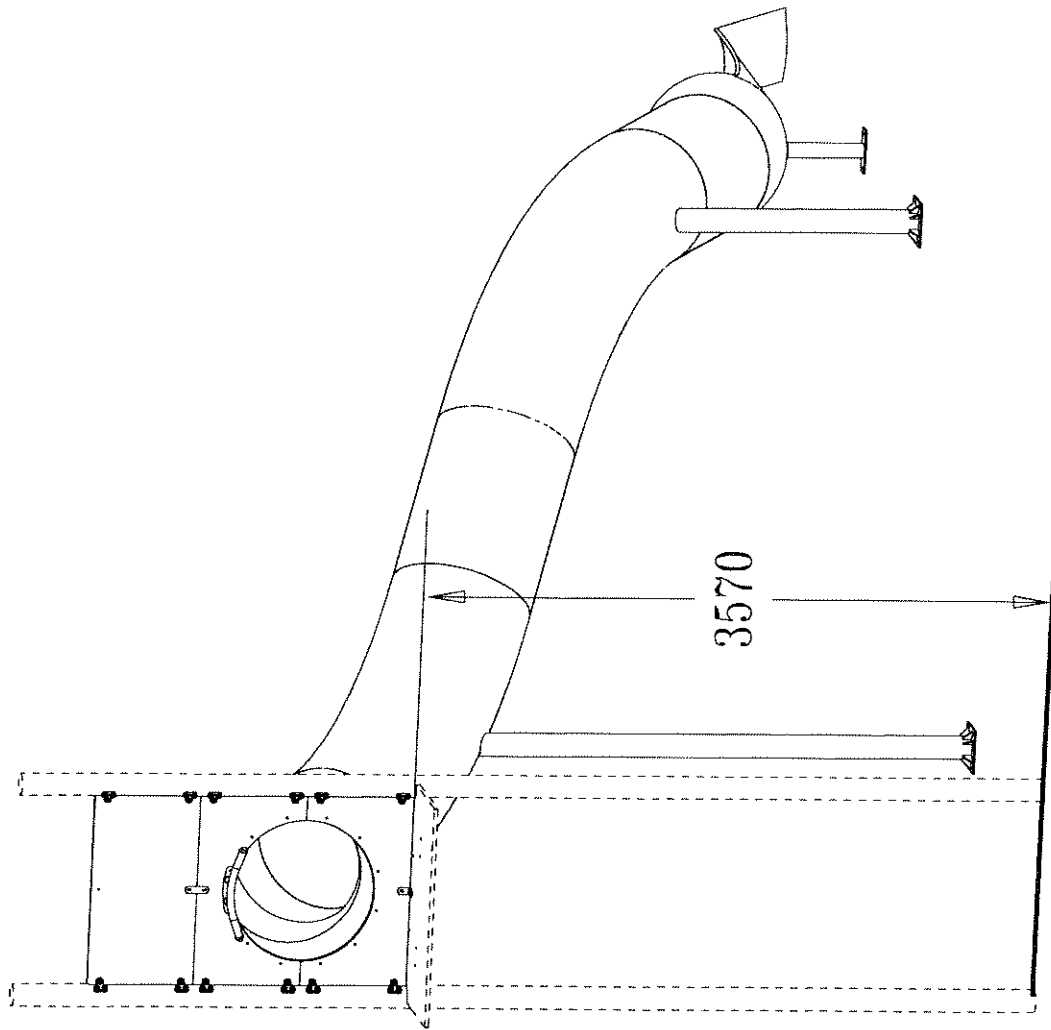


	VTH10*70	25
	VBT 6*30	3
	VBT 6*50	5
	VGC8*55I	2
	VBT7*60	16
	MI3701N	2
	VCBHCMI0*40I	4
	MI0310N	56
	MI0440N	68
	VECM10	4
	VEFM10	25
	VECM8	4
	VBTR8*25	4
	MI4503N	8



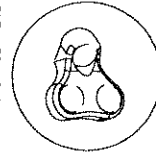


	VCZX 6x25	4
	VEBM6	4
	VCBHC M10*50I	4
	VCBHC M10*30I	4
	M10310N	14
	M10440N	14
	VECM10	10
	180° :P180	1
	M8310N	9
	M8440N	9
	VTH6*30A	9
	RD14M10	2
	VTH 10x70	4

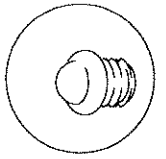


	VCBHCM10*30I	16
	VTH6*30A	24
	VCBHCM10*40I	12
	MI0310N	18
	MI0440N	54
	VECM10	28
	VTRCC10x40	1
	70 mm : P13	1
	70 mm : P180	1
	RD14M10	13

MI4700 X 12

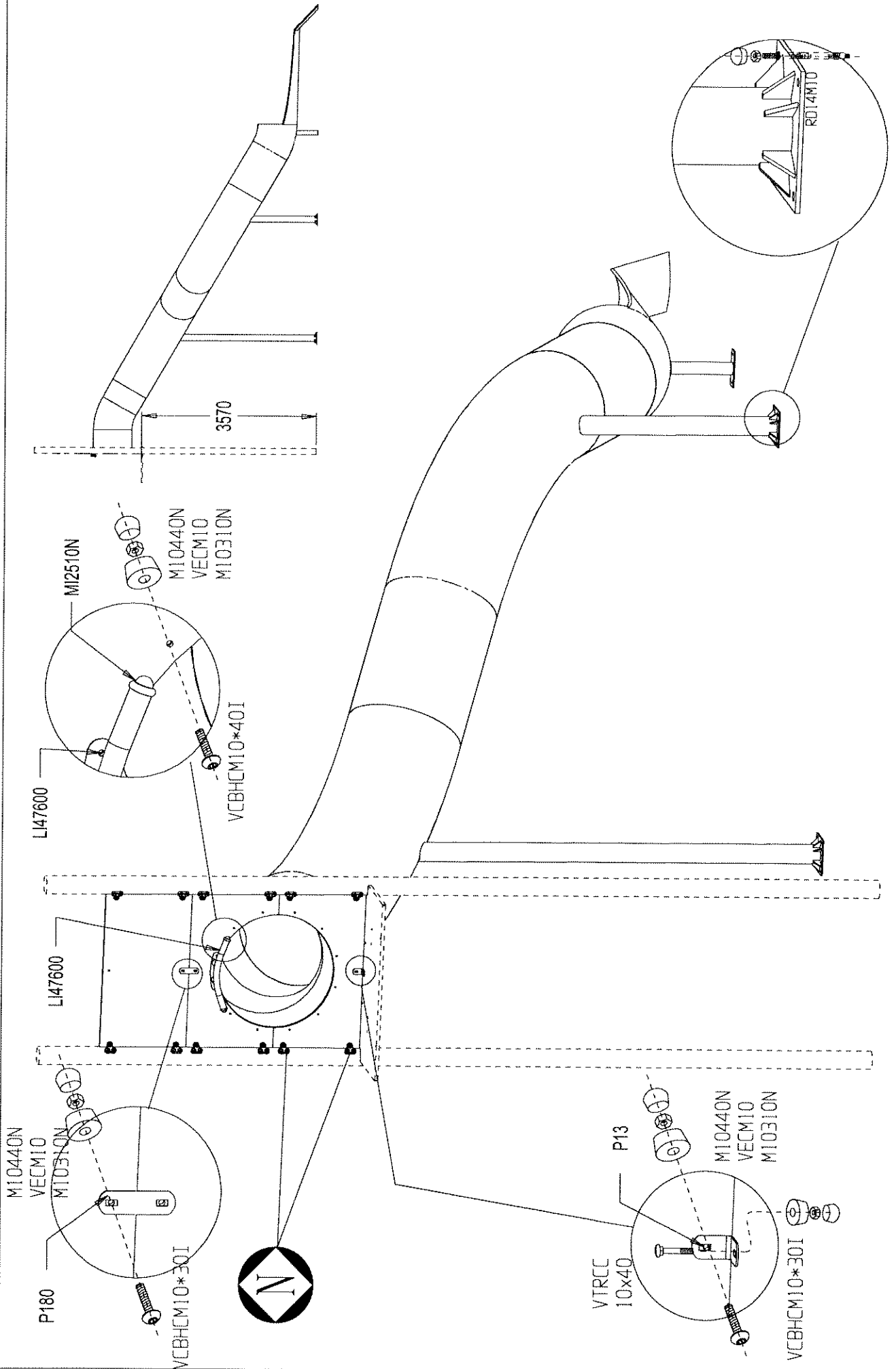


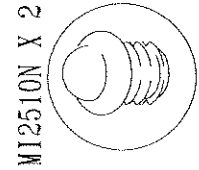
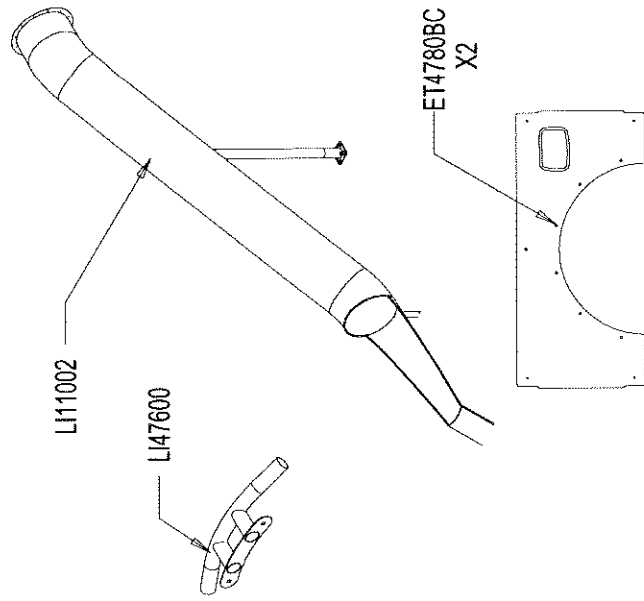
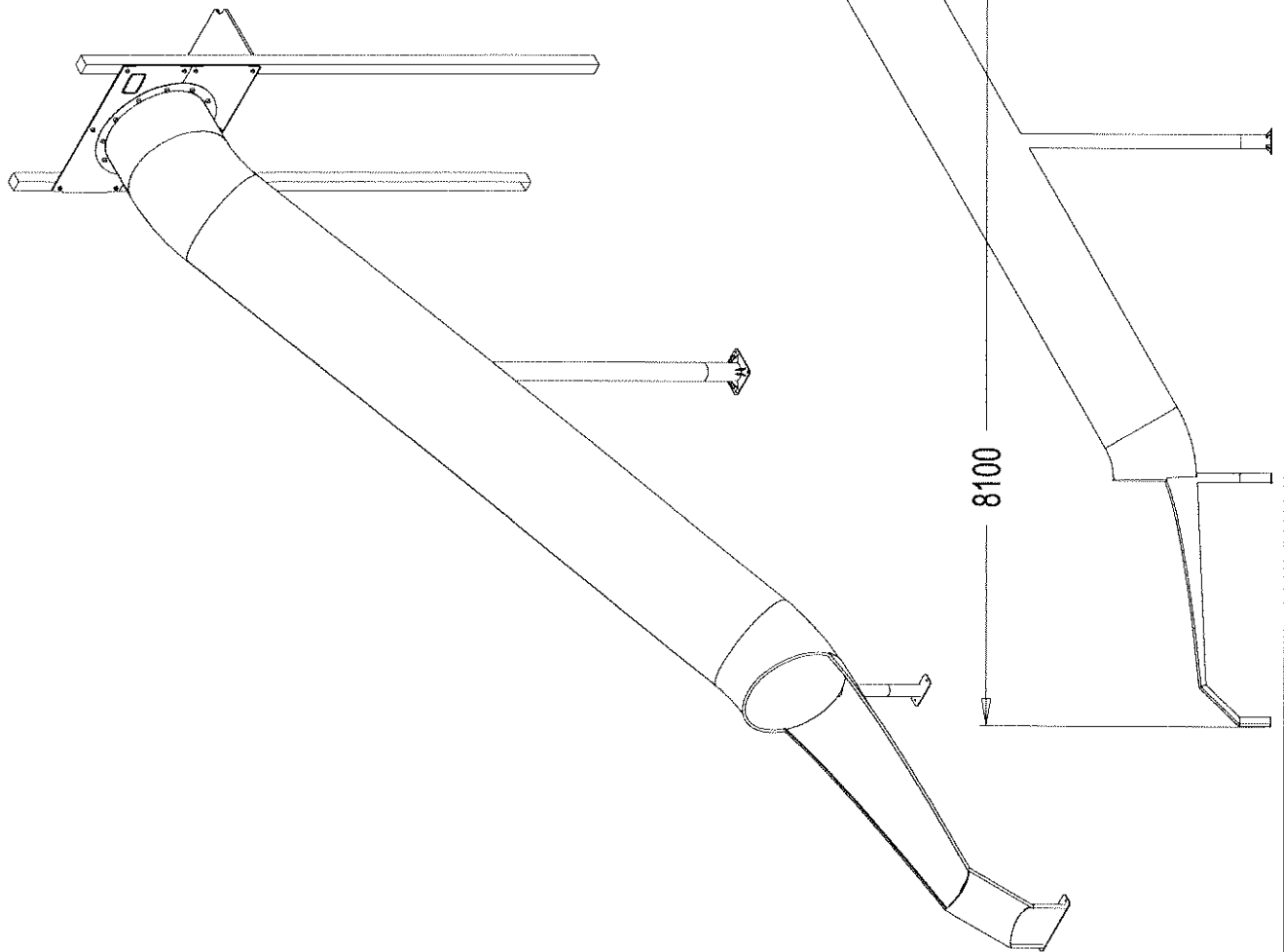
MI2510N X 2



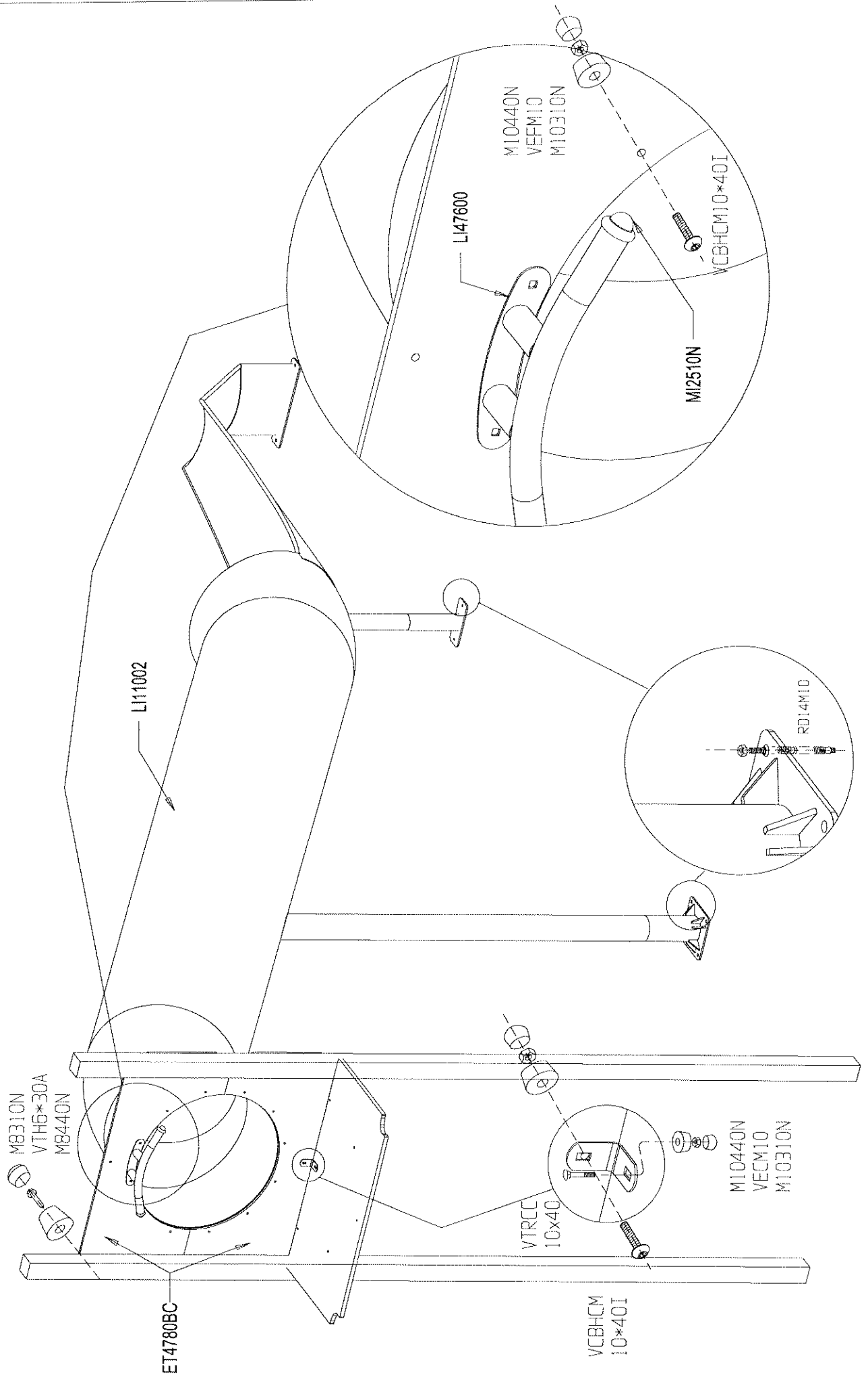
G47611

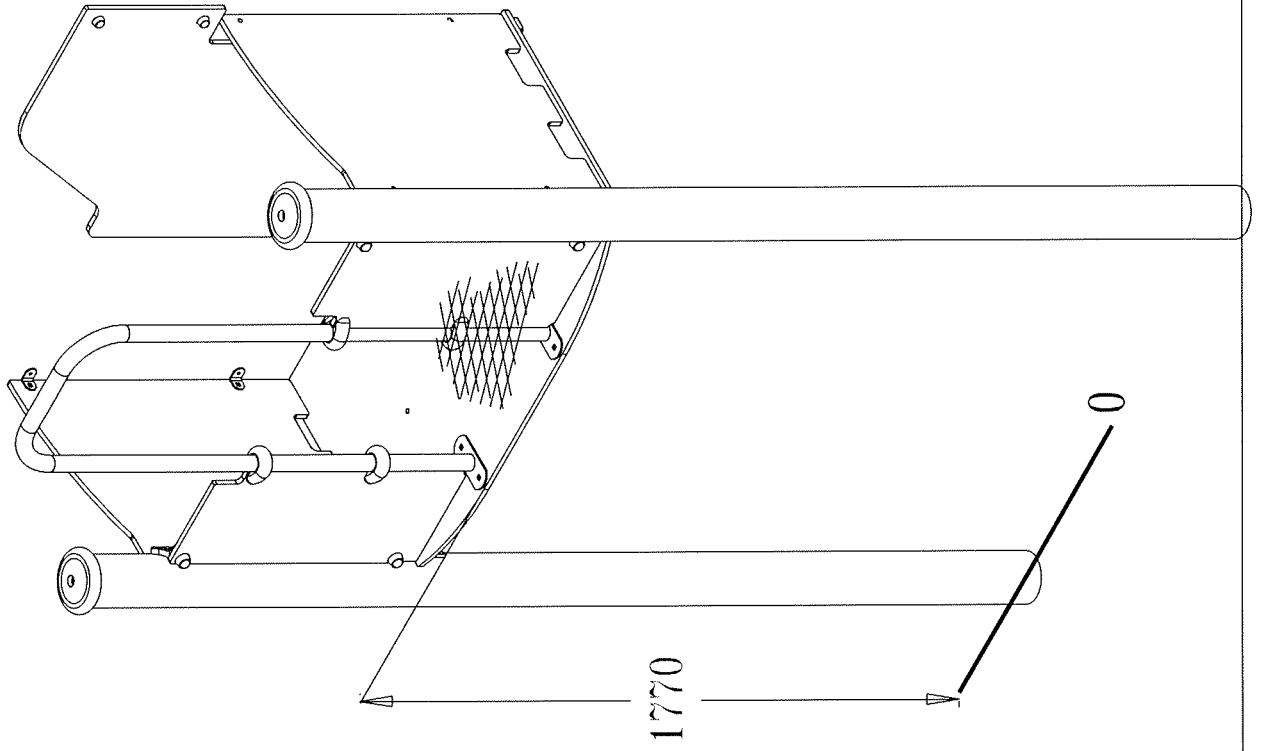
ProLudic



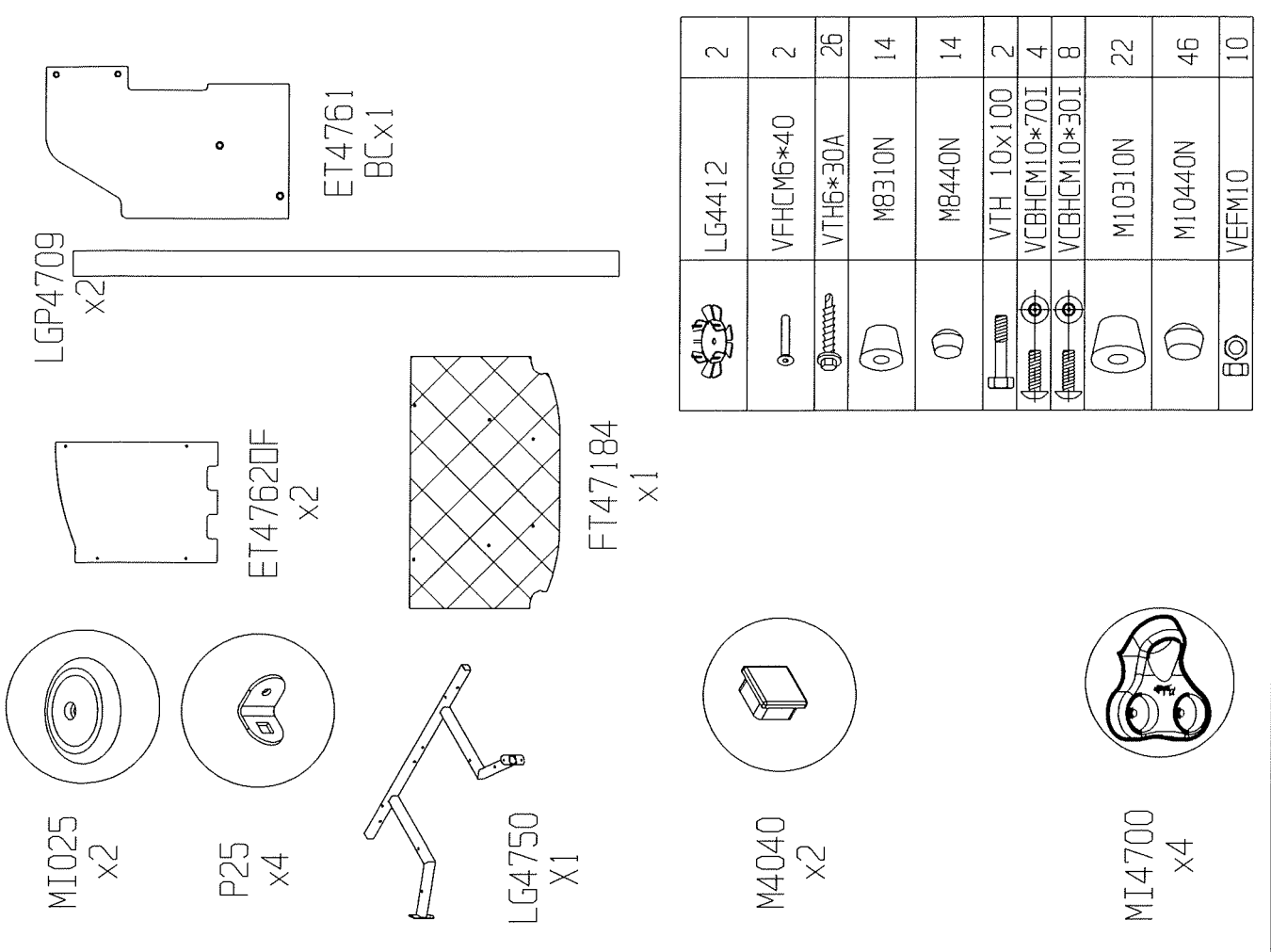


	VCBHC M10 x 30 I	2
	70 mm P13	1
	M8310N	8
	M8440N	8
	VTH6 x 30A	8
	VTRCC10 x 40	1
	VEFM10	14
	VCBHC M10 x 40 I	12
	M10310N	14
	M10440N	14
	RD14 M10	8









MI025  
x2

P25  
x4

LG4750  
x1

M4040  
x2

MI4700  
x4

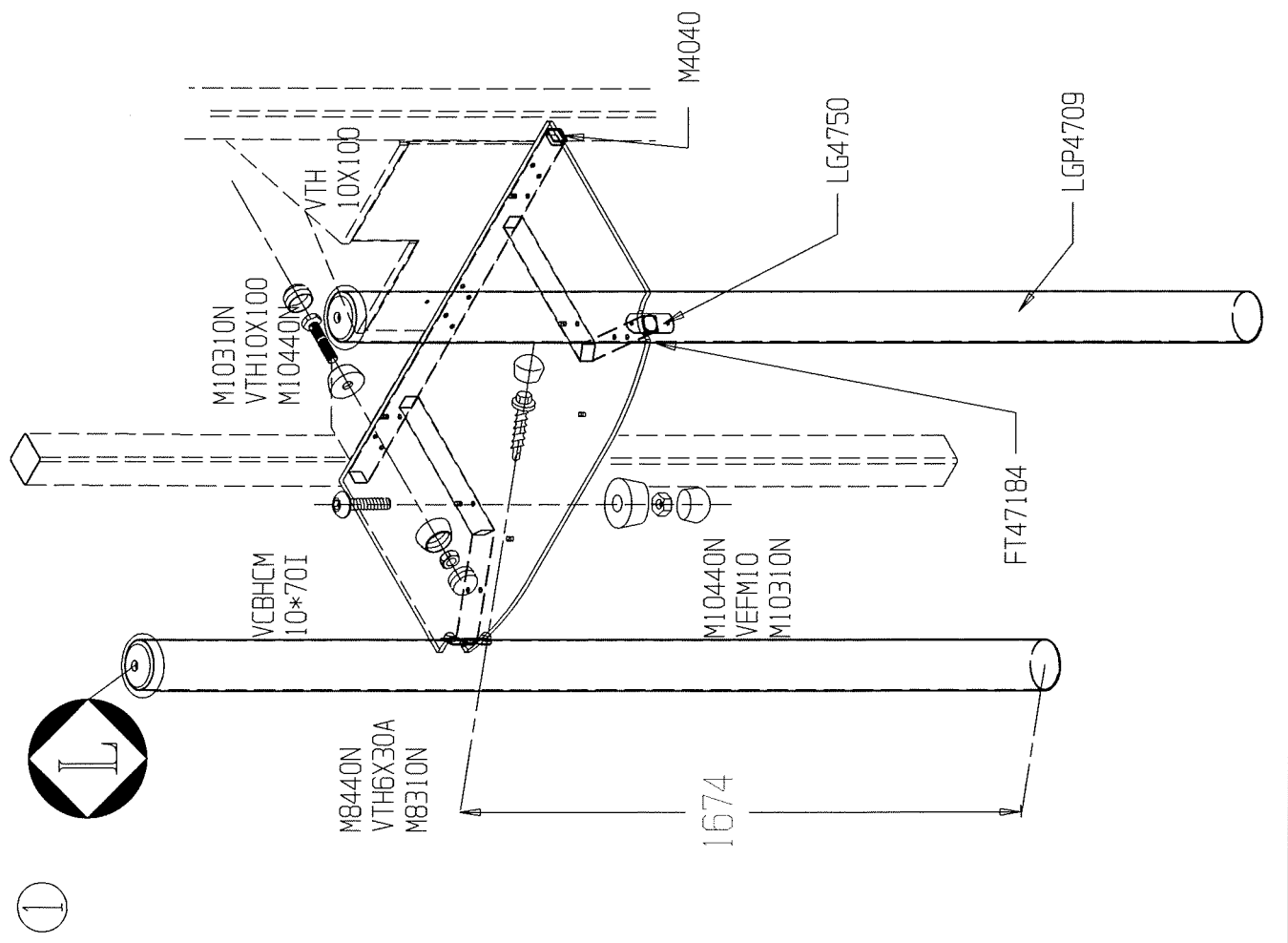
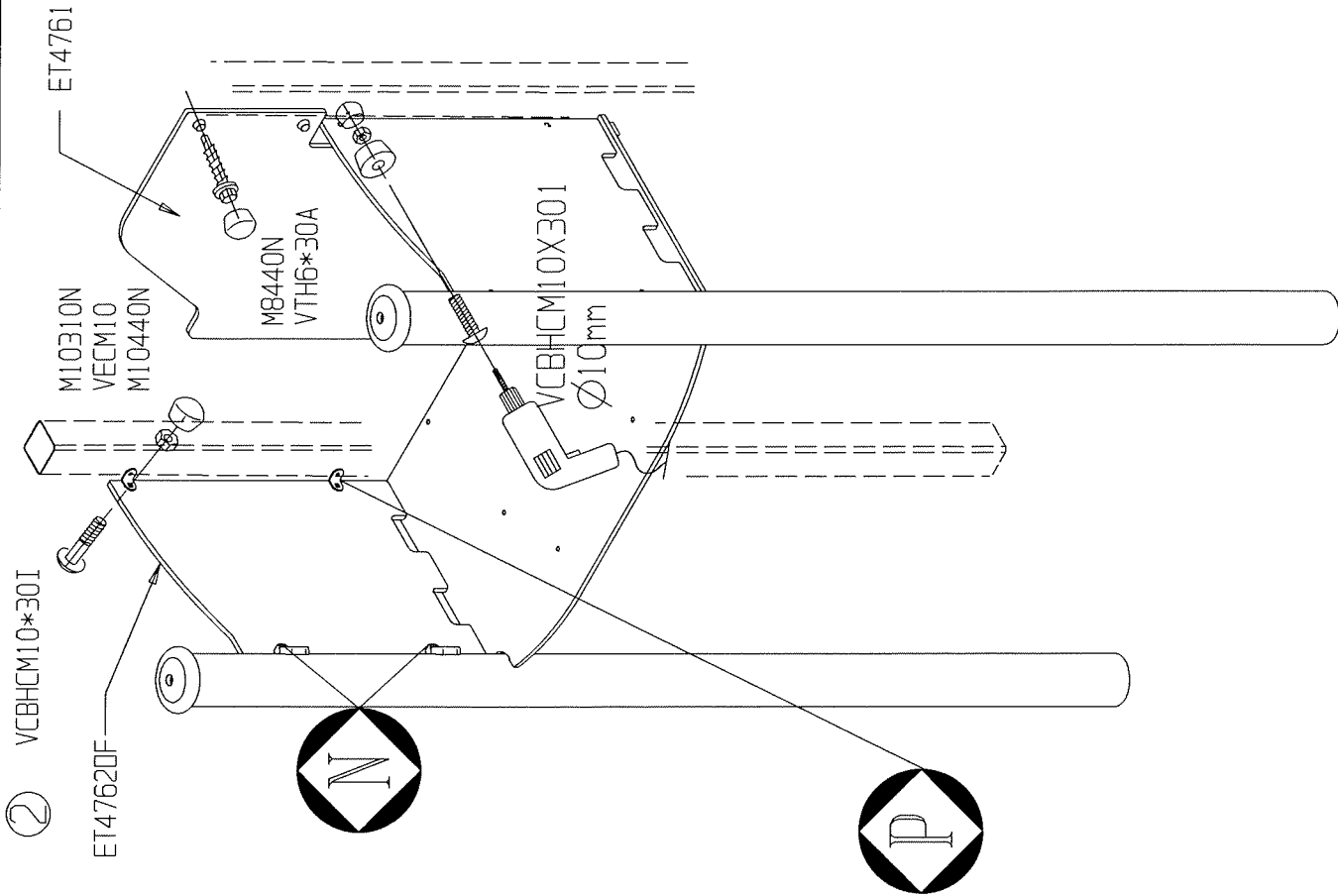
LGP4709  
x2

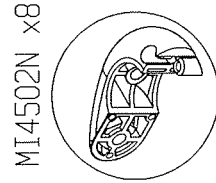
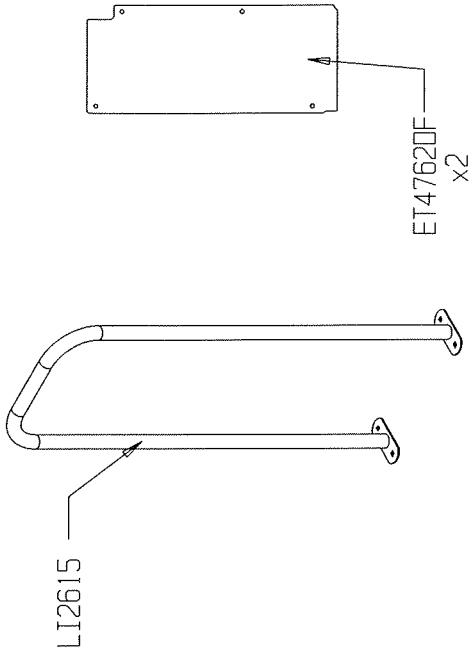
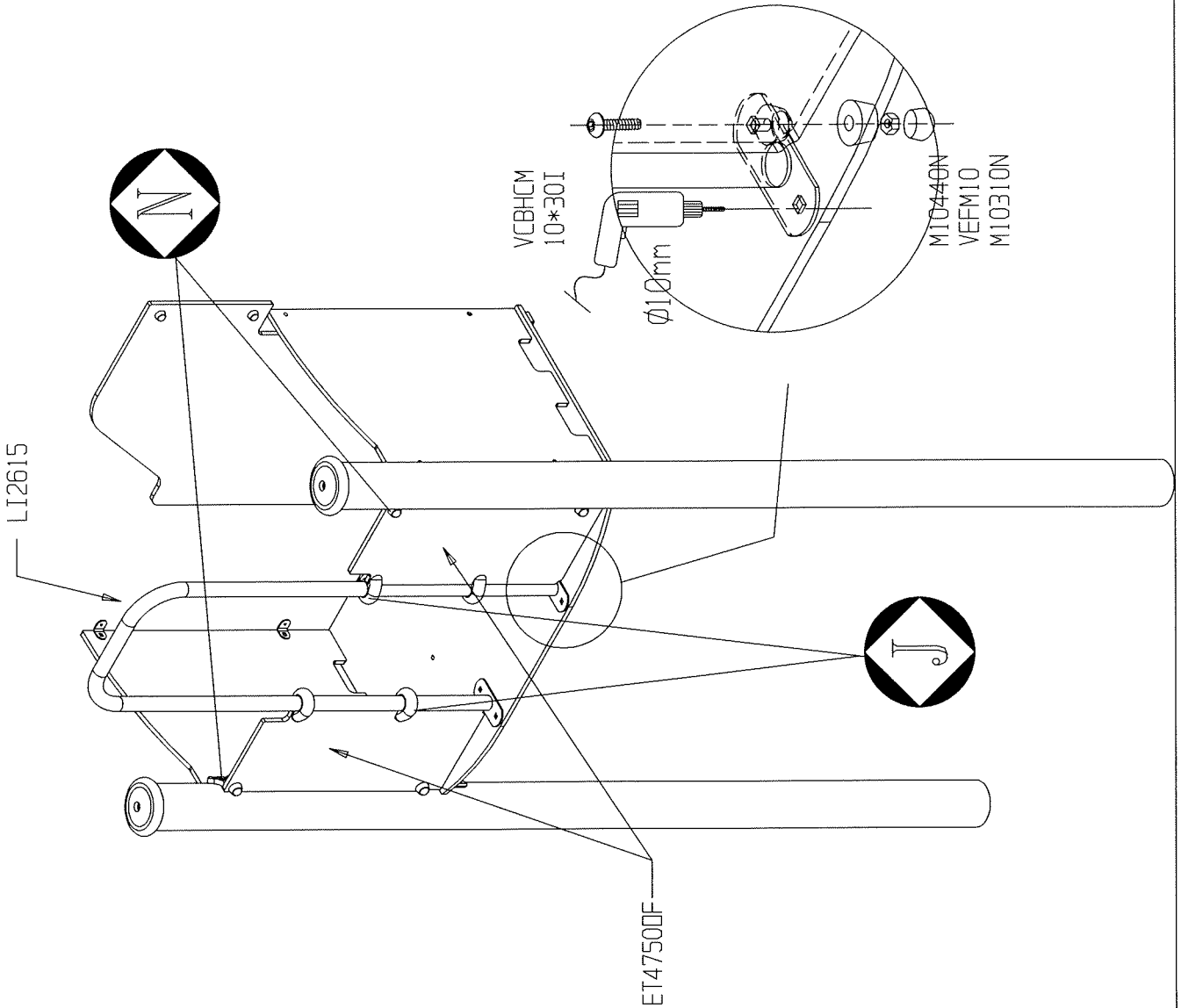
ET4762DF  
x2

FT47184  
x1

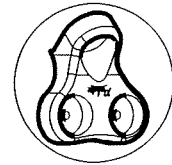
ET4761  
BCx1

	LG4412	2
	VFHC M6*40	2
	VTH6*30A	26
	M8310N	14
	M8440N	14
	VTH 10x100	2
	VCBHC M10*70I	4
	VCBHC M10*30I	8
	M10310N	22
	M10440N	46
	VEFM10	10





MI4502N x8



MI4700 x4

	VCBHCM10*30I	8
	VTH6*30A	8
	M10310N	4
	M10440N	12
	VEFM10	4
	VECM8	4
	VBTR8*25	4
	MI4503N	8