

J38451

Proludic





N°		
1	1 m	7 m ²
2	1.37 m	17 m ²
3	2.6 m	17 m ²

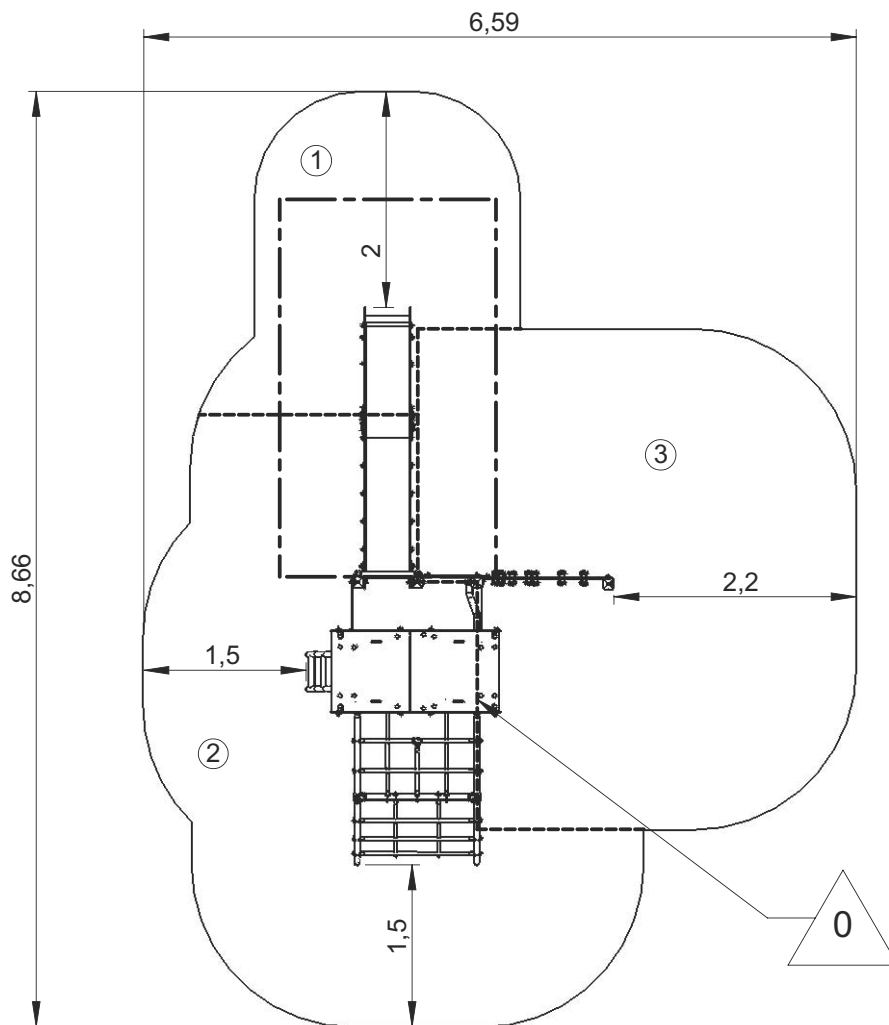
— Zone d'impact
Impact area
Area de impacto
Fallraum
Valzone

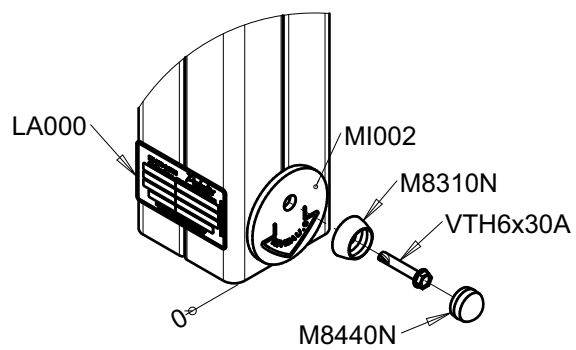
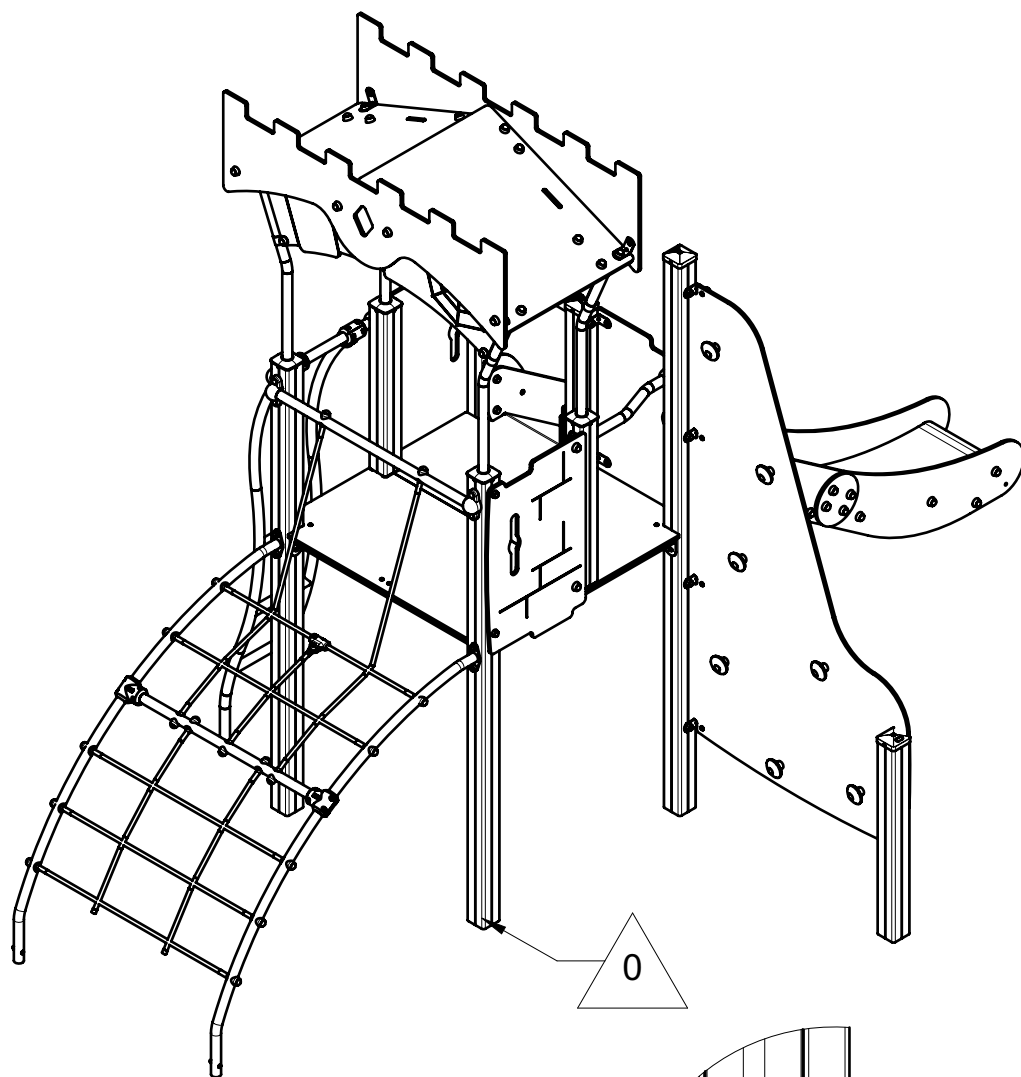


Point de référence
Setting out point
Punto de referencia
Bezugspunkt
Referentiepunt

- - - Espace libre
Free space
Espacio libre
Freiraum
Vrije ruimte

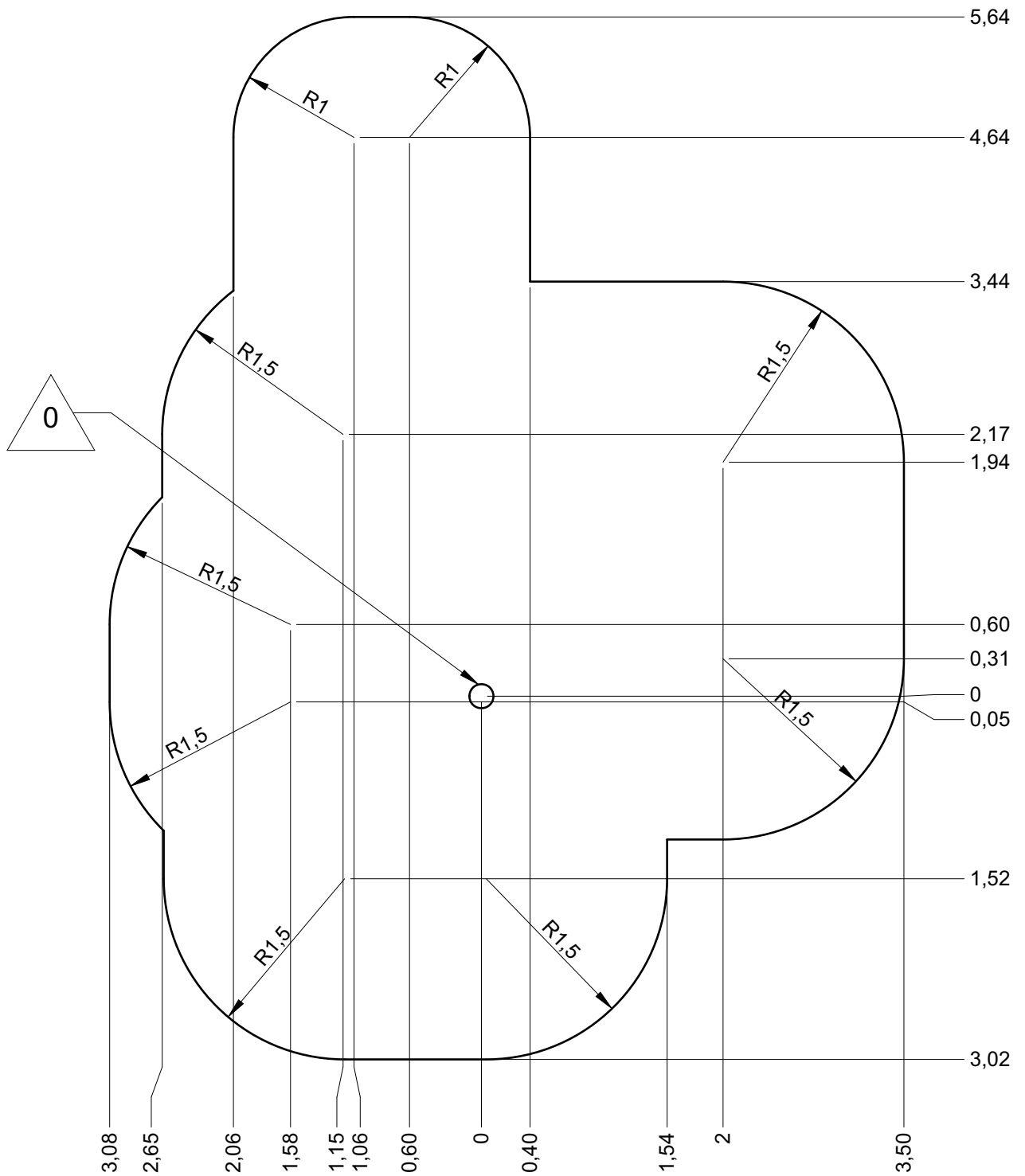
EN1176-1:2017
EN1176-2:2017





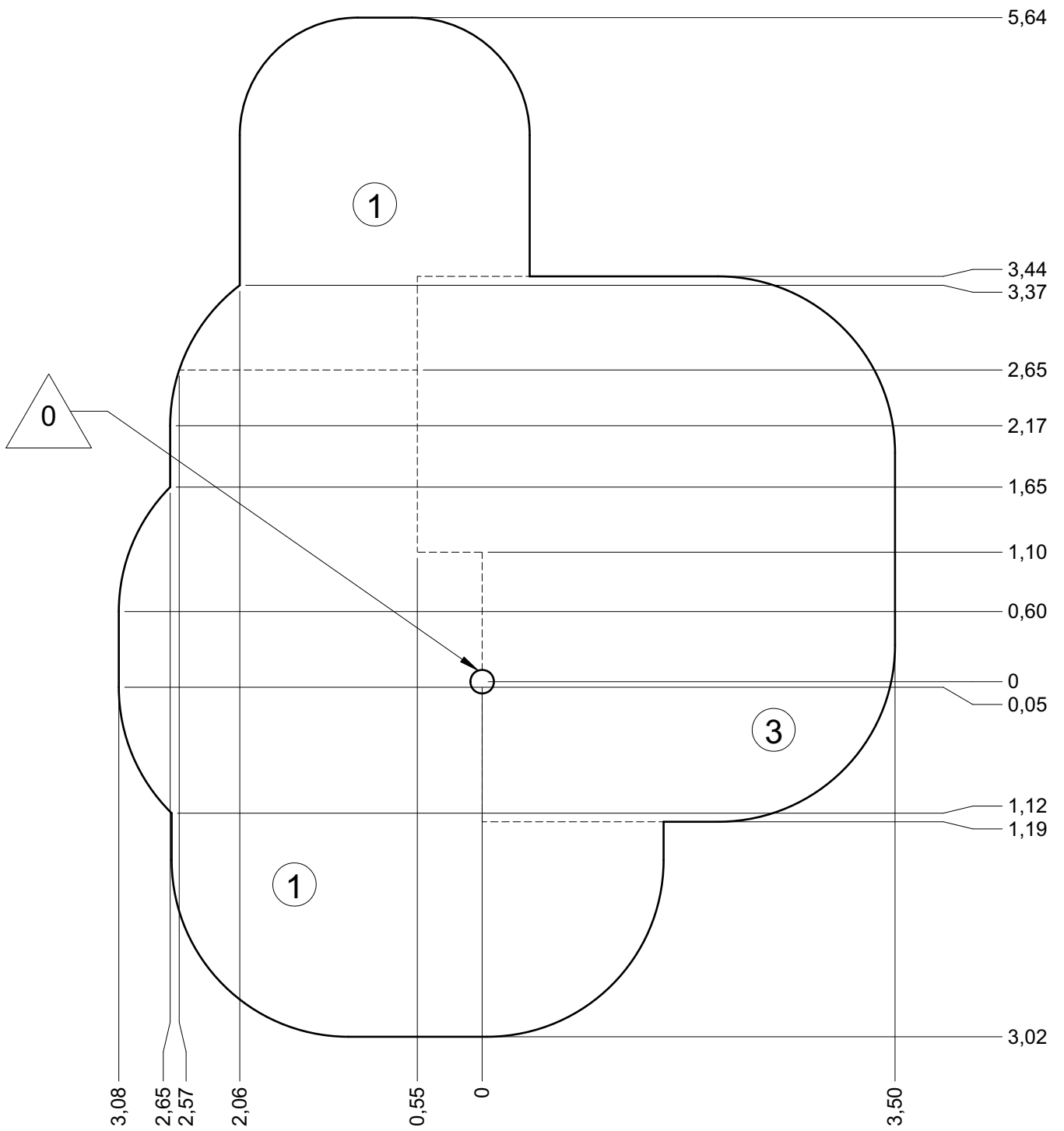
— Zone d'impact
 Impact area
 Area de impacto
 Fallraum
 Valzone

41 m²



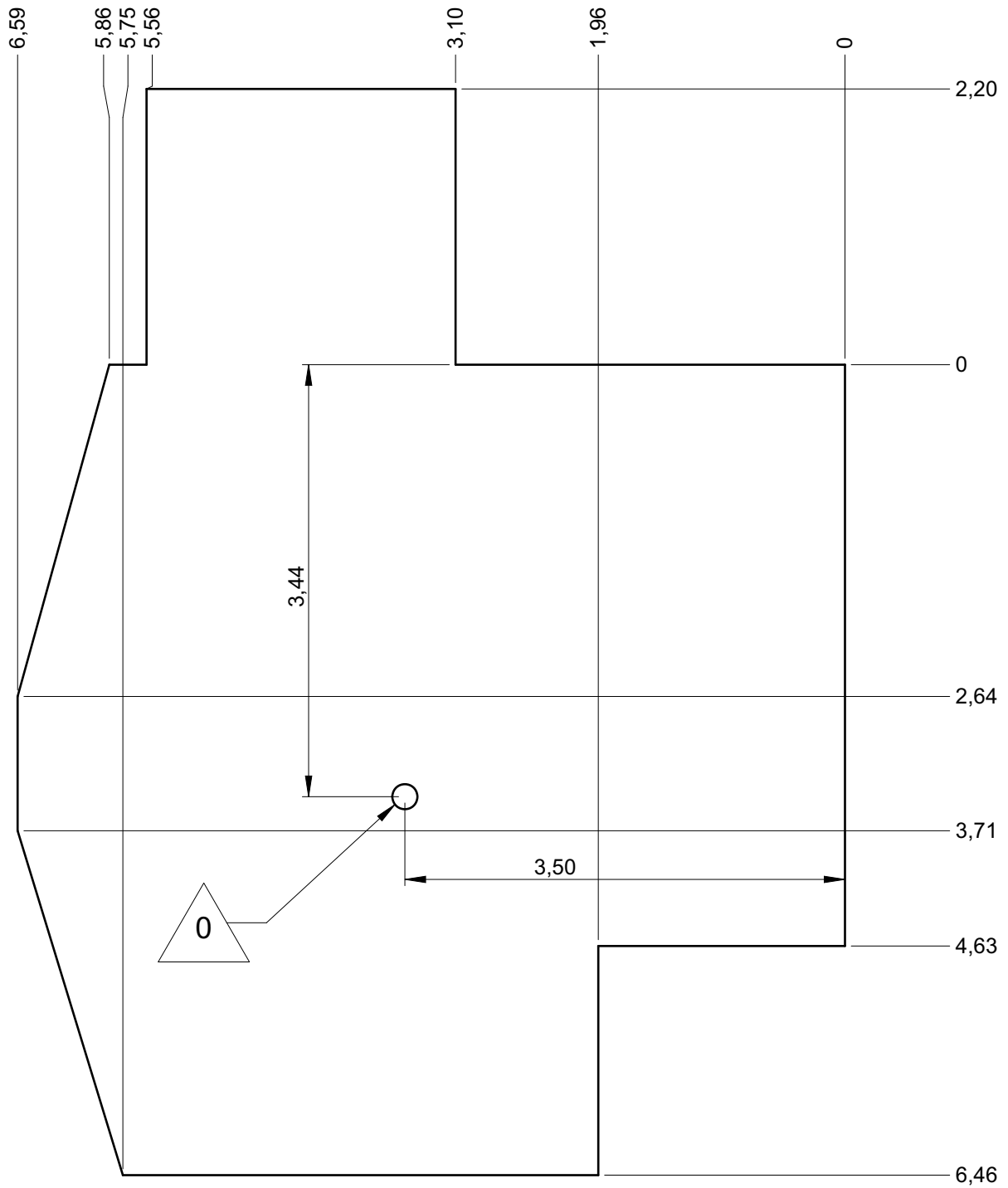
— Sol souple
 Wepour
 Caucho continuo
 Synthetischer fallschutz
 Gietvloer

41 m²



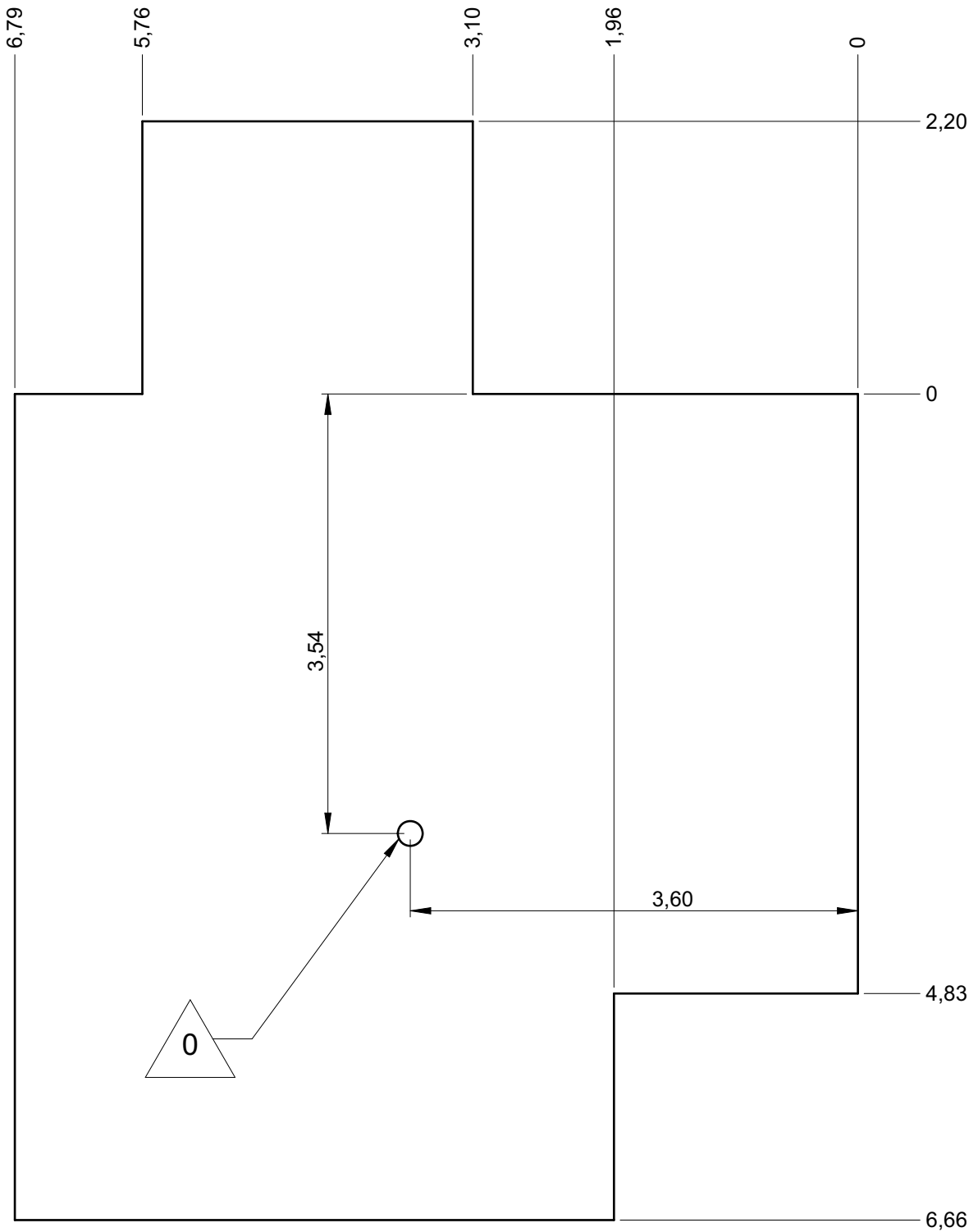
— Dalle béton
 Concrete pad
 Solera de hormigon
 Beton bodenplatte
 Betonnen bodemplaat

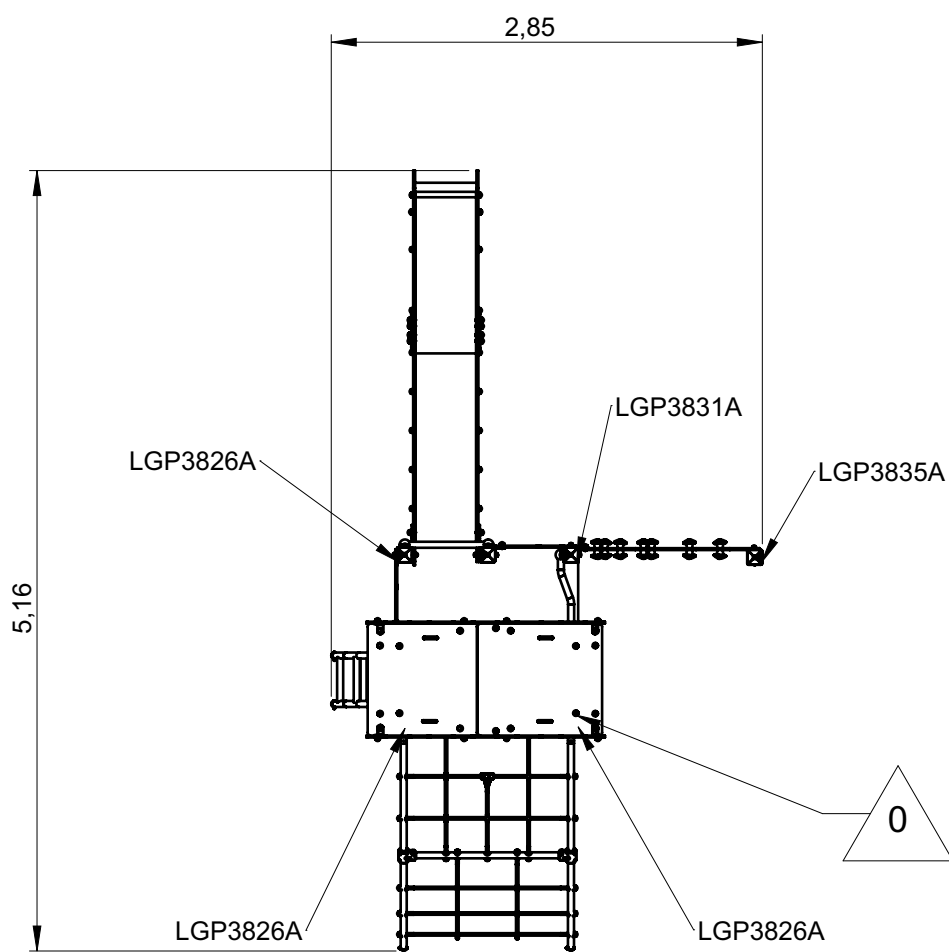
29.5 m
 42.5 m²

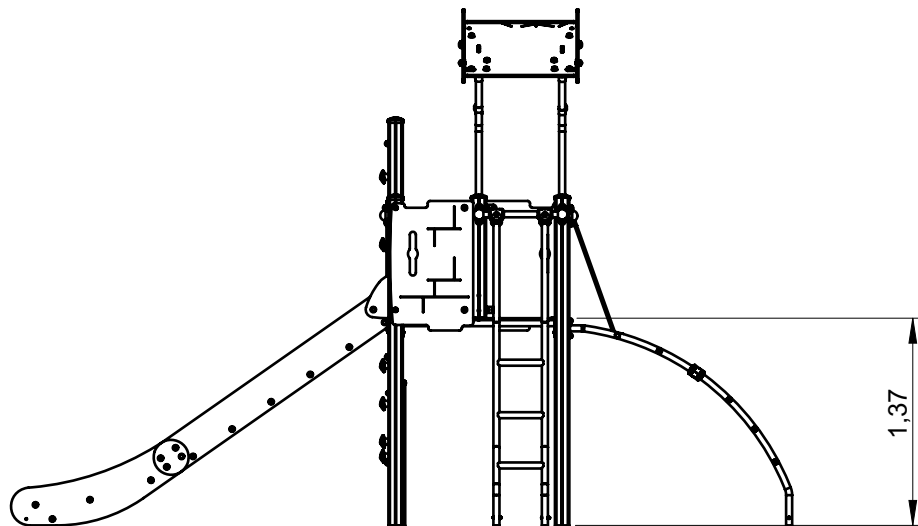
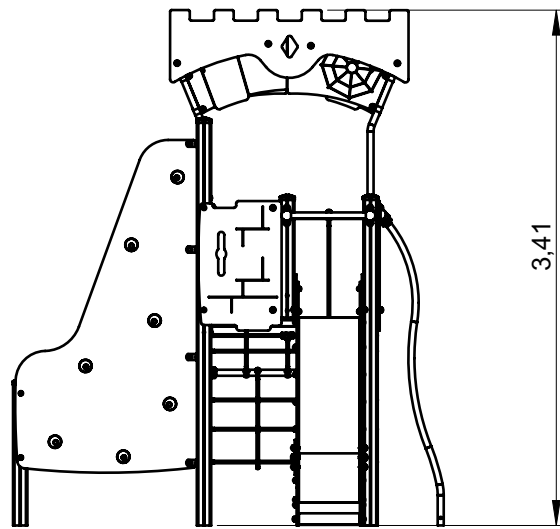


— Sol fluent
 — Loos partucule material
 — Arenero
 — Loses Bodenmaterial
 — Los bodemmaterialaal

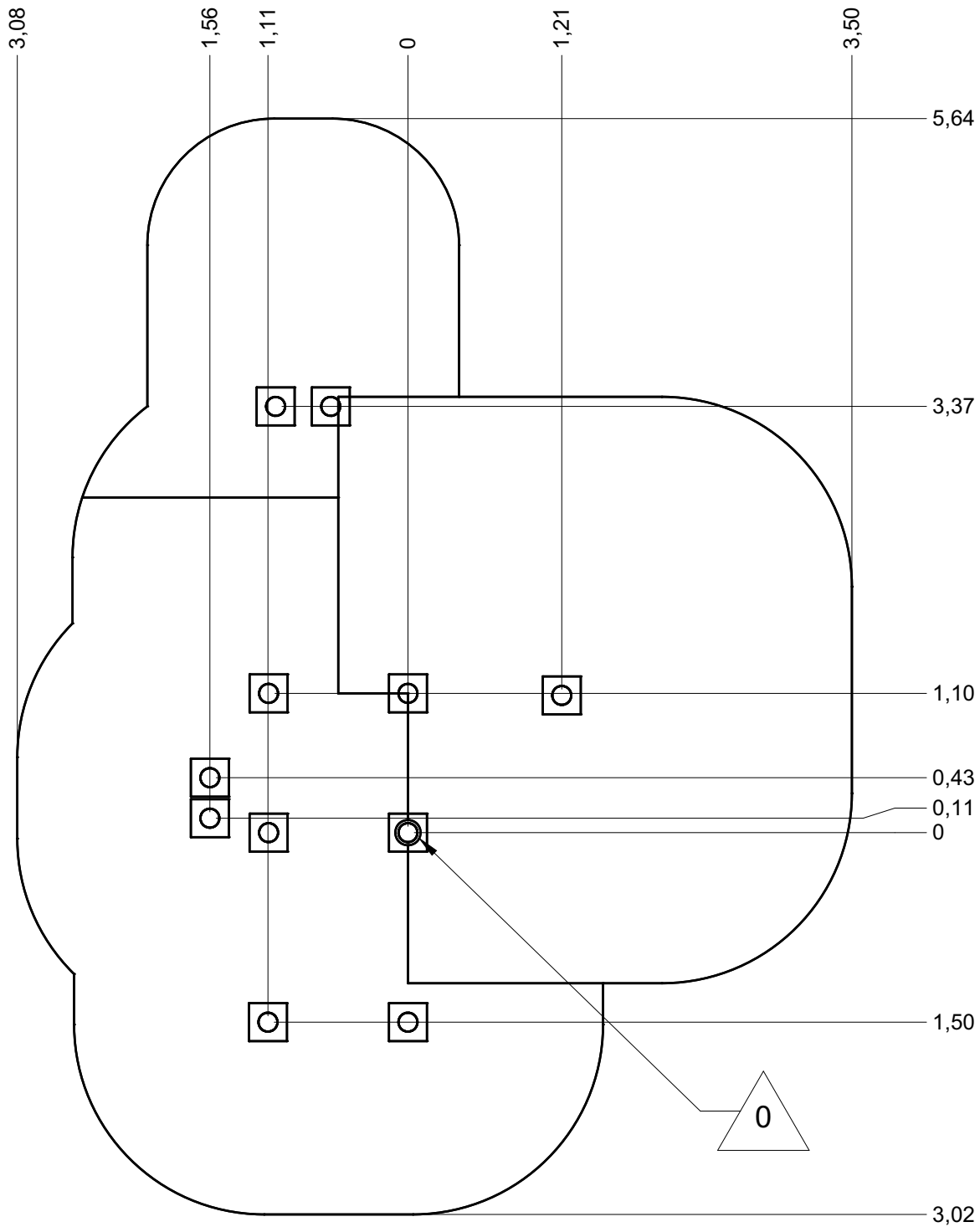
31.5 m
48 m²






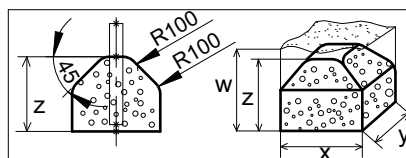




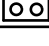


Implantation
 Footing plan
 Implantación
 Fundomentplan
 Funderingstekening

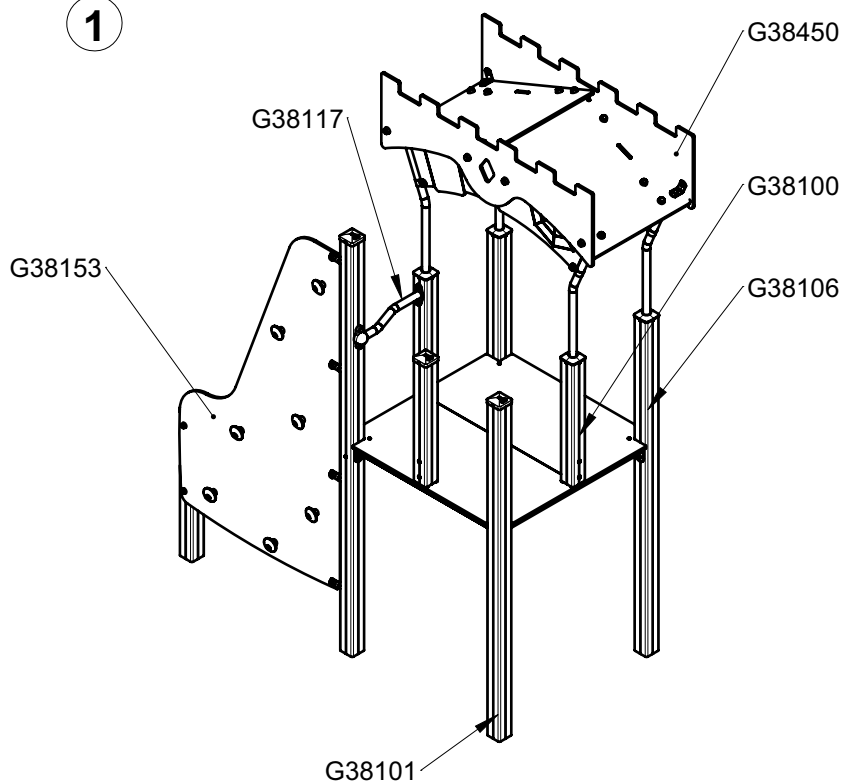


 x2
 10H
 0.3 m³

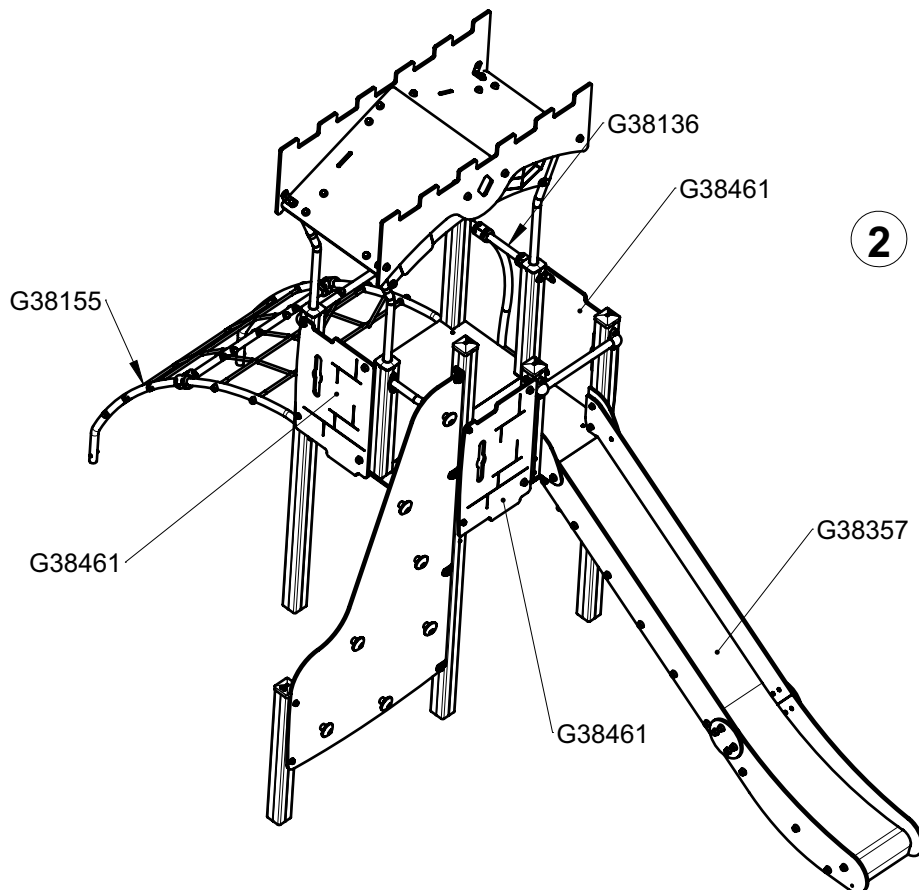


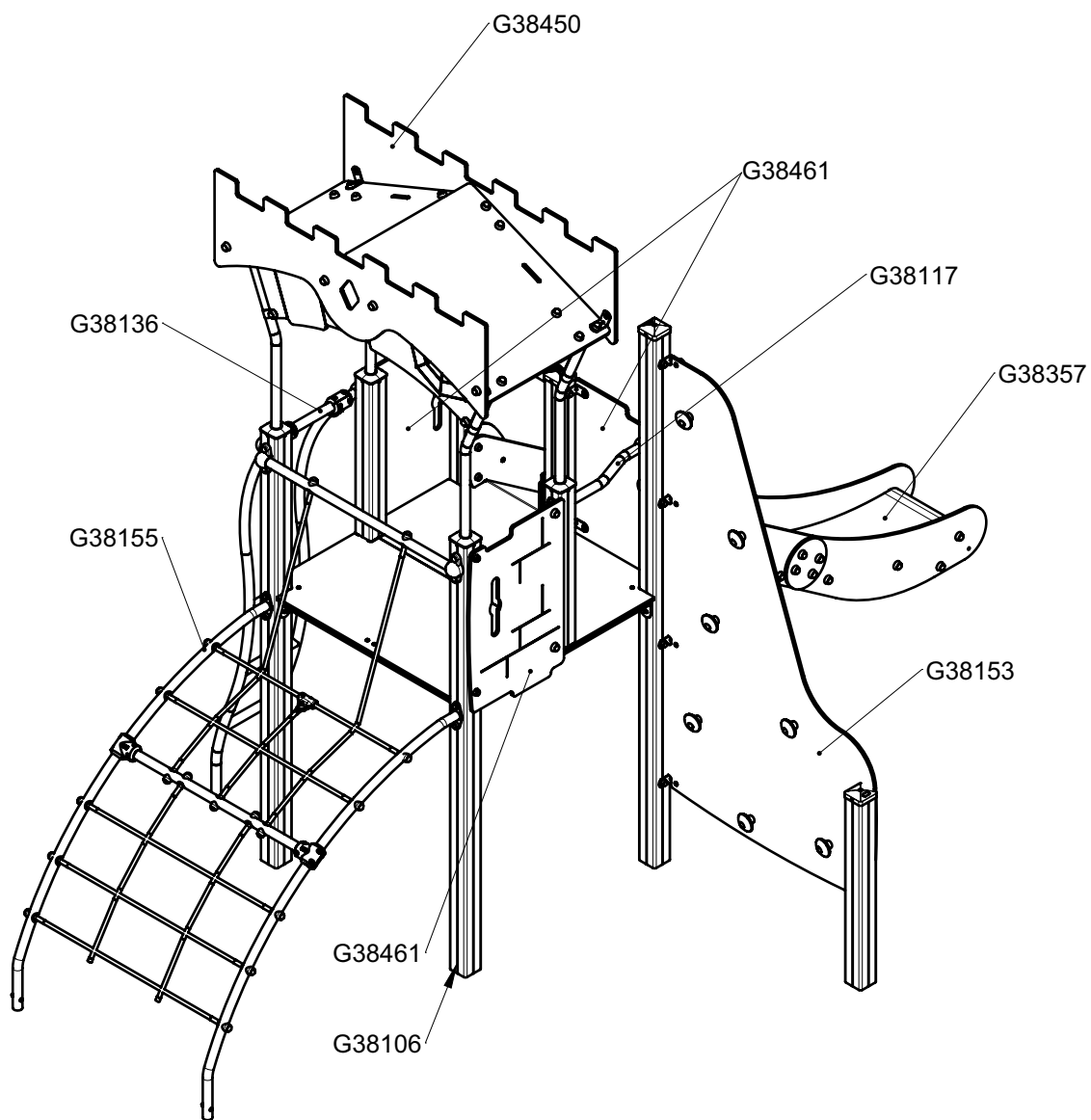
	x	y	z	w
	0.3	0.3	0.3	0.6
	0.4	0.4	0.3	0.6
	0.6	0.3	0.3	0.6

1

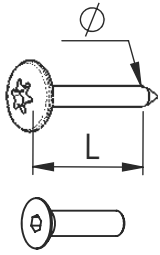


2



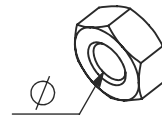


Réf	Qté
G38100	3
G38101	1
G38106	1
G38357	1
G38117	1
G38136	1
G38153	1
G38155	1
G38450	1
G38461	3
G38123	2

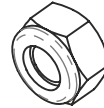


VBT 6 x 30
 \varnothing L (mm)

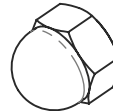
VFHC



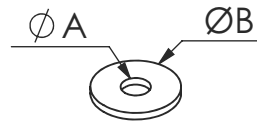
VEC M10
 \varnothing



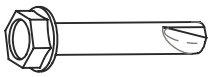
VEF



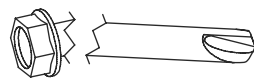
VEB



VR6x18
 $\varnothing A$ $\varnothing B$



VTHA

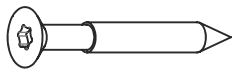


1000 - 1800 tr/min

Vitesse de rotation
 Rotation speed

14 N.m

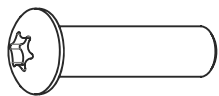
Couple de rupture
 Torque of break



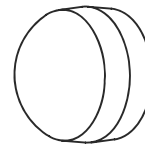
VWT



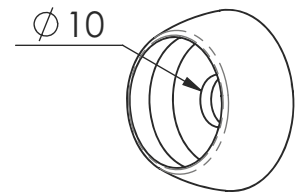
VGC



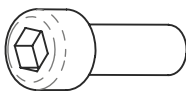
VCBHC



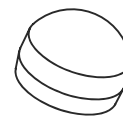
M10 440N



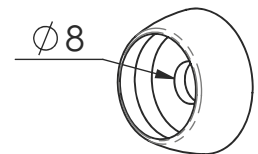
M10 310 N



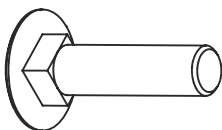
VBTR



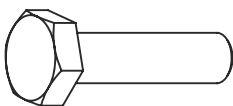
M8440N



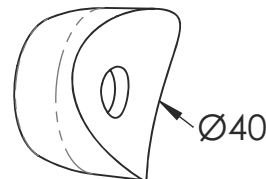
M8310N



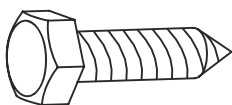
VTRCC



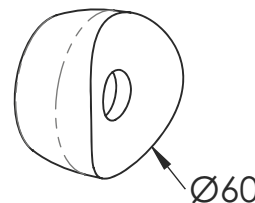
VTH



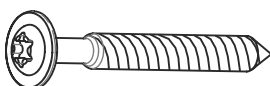
MI2503



VTF



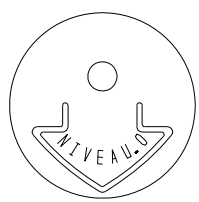
MI2701



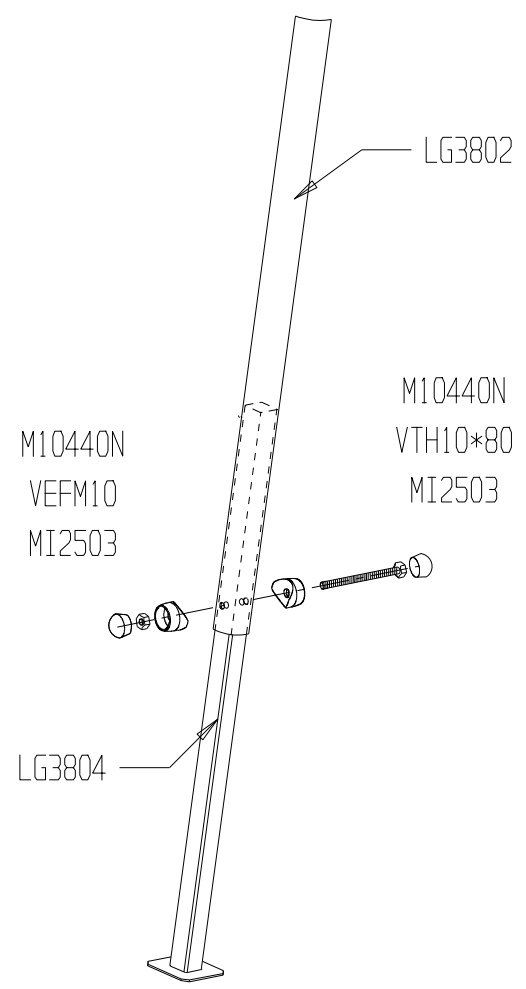
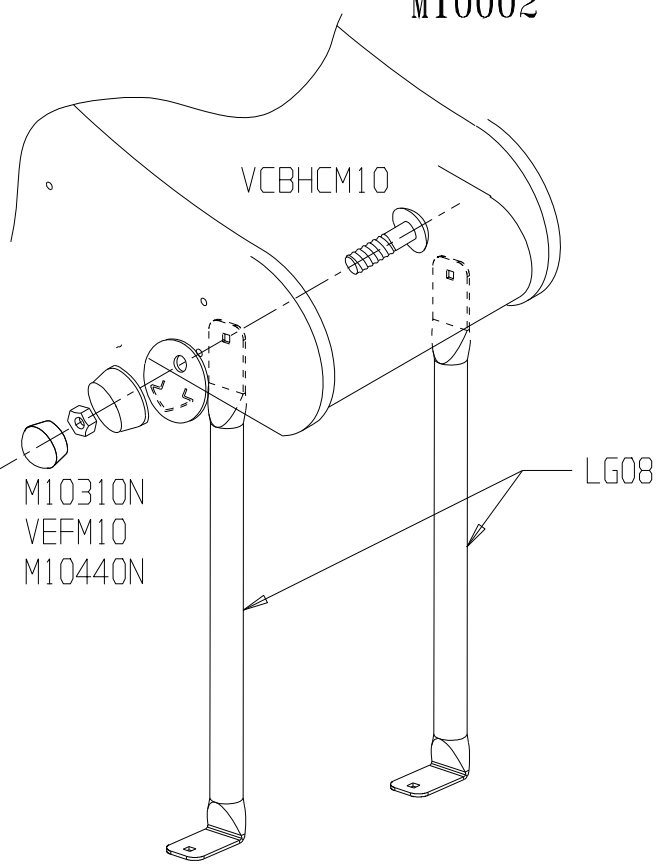
VBT

A

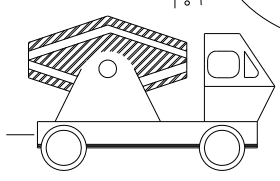
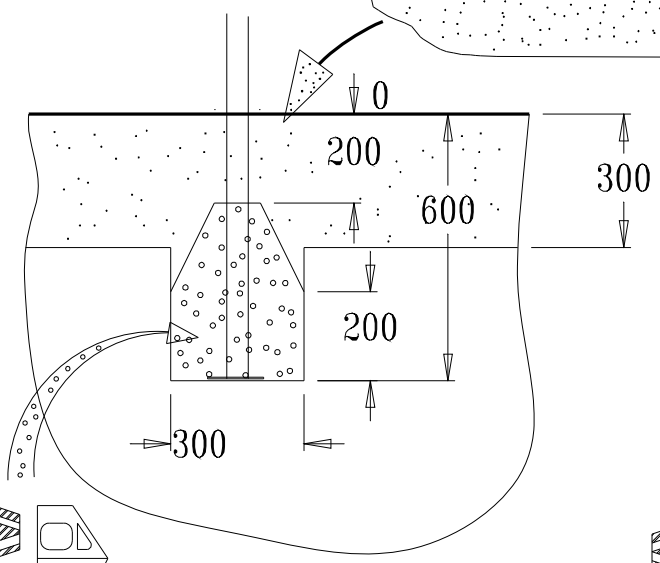
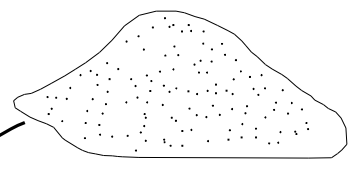
Proludic



MI0002



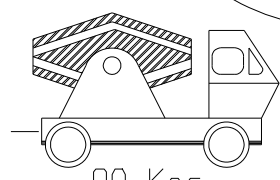
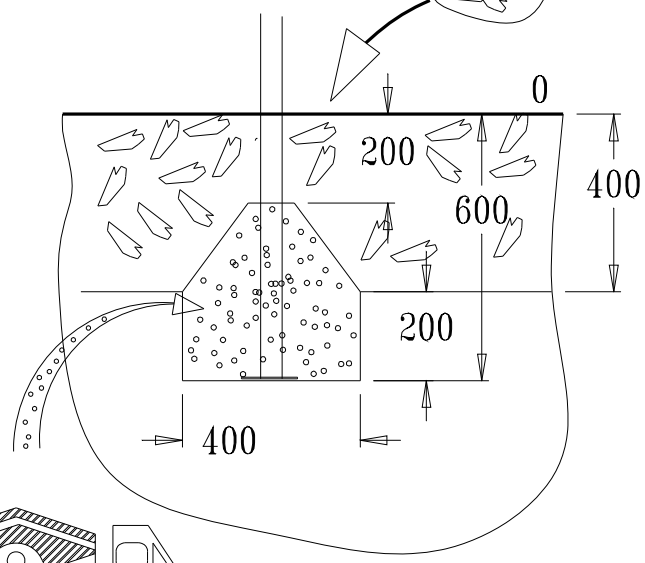
> 1500 Kgs/M³



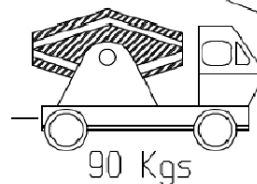
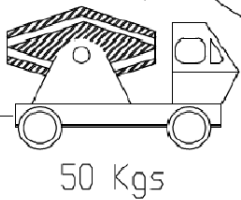
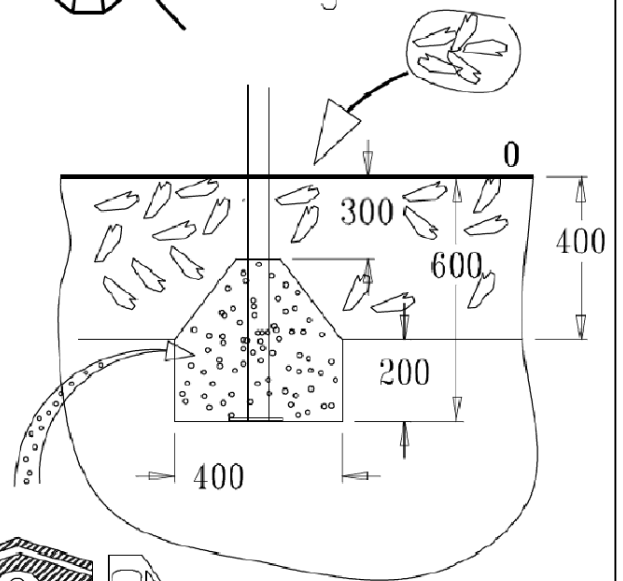
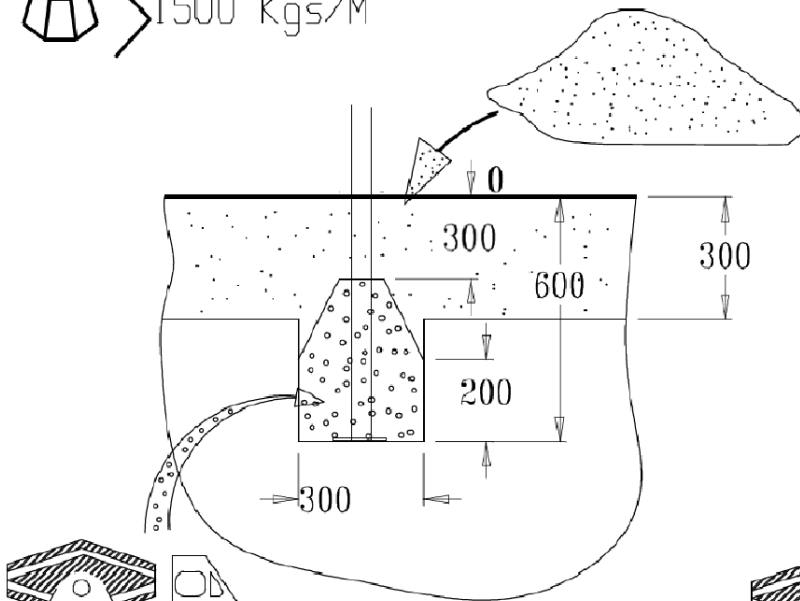
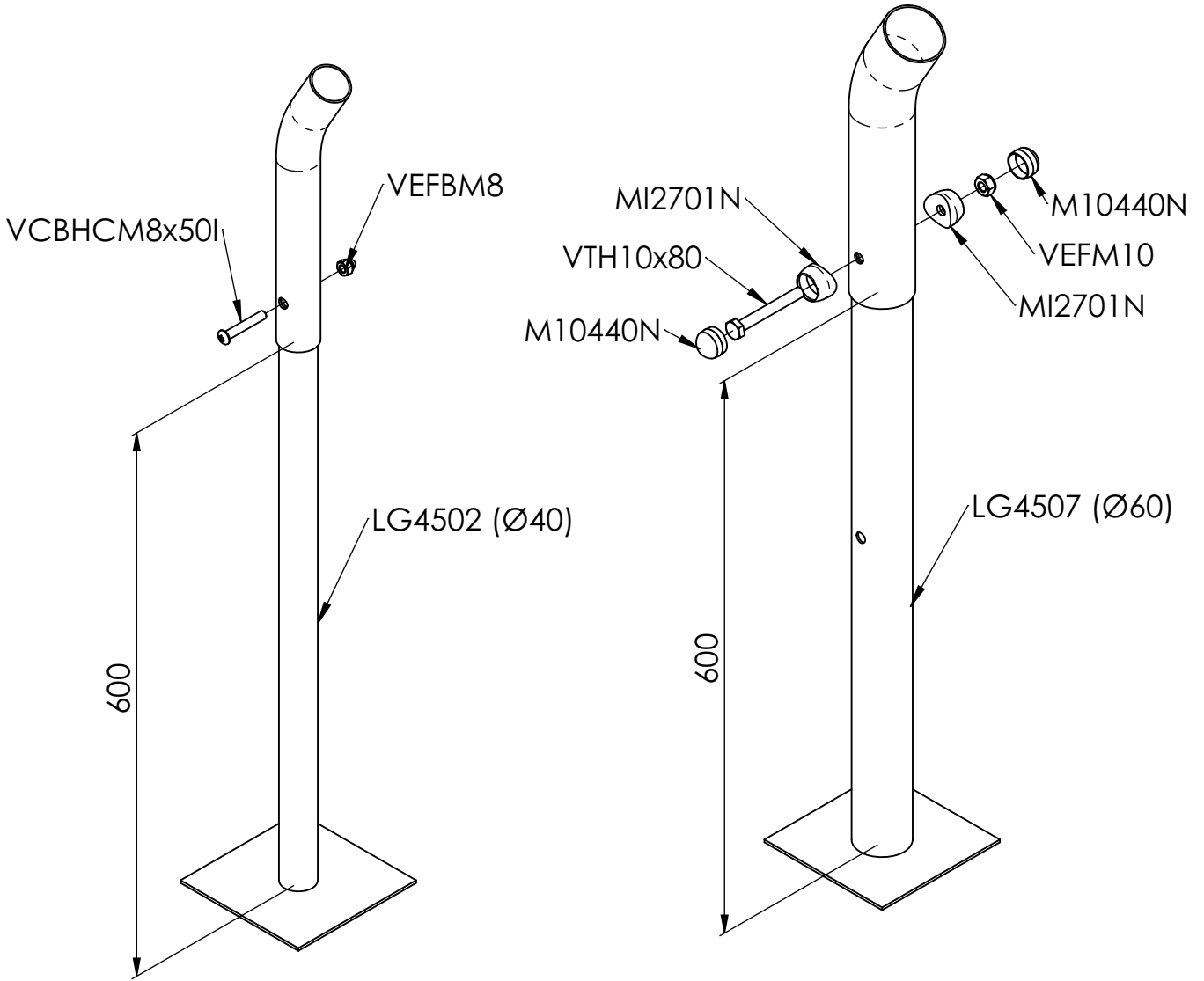
50 Kgs

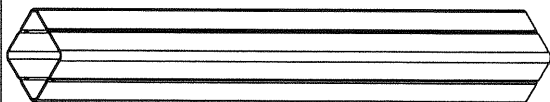


< 1500 Kgs/M³



90 Kgs

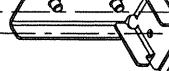




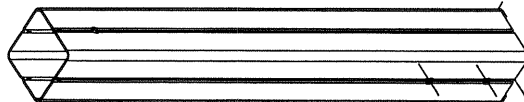
1



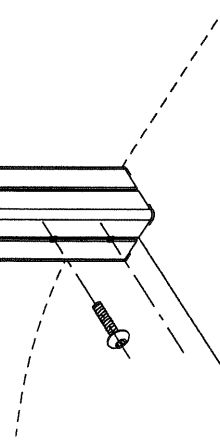
VCBHC8*30I
X2



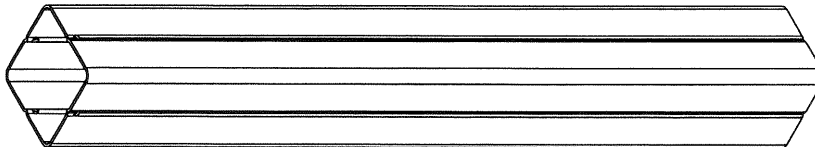
2



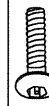
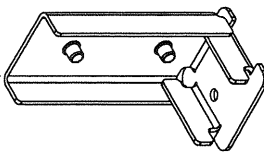
VCBHC10*30I
X2



LGP3834

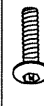


LG3812



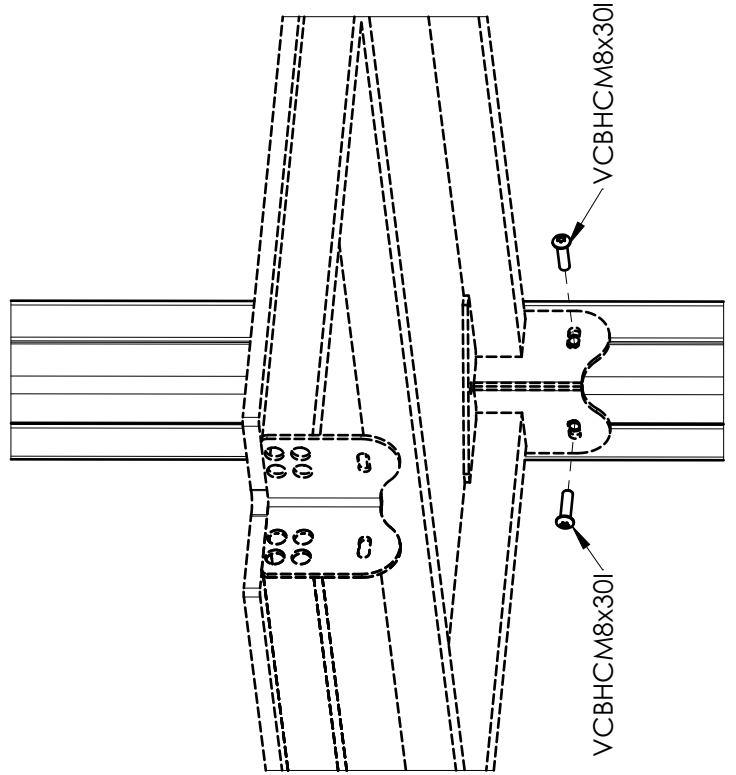
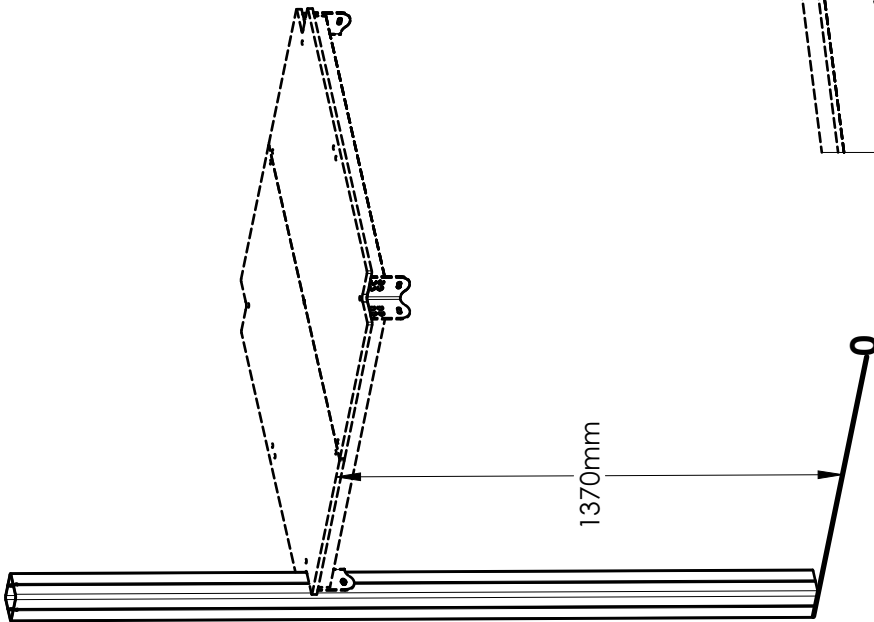
VCBHC10X30I

2

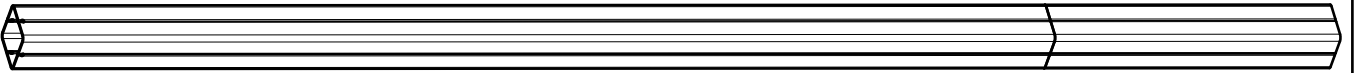


VCBHC8X30I

2



U3849A



Réf	Qté
VCBHC8x30I	2
U3849A	1

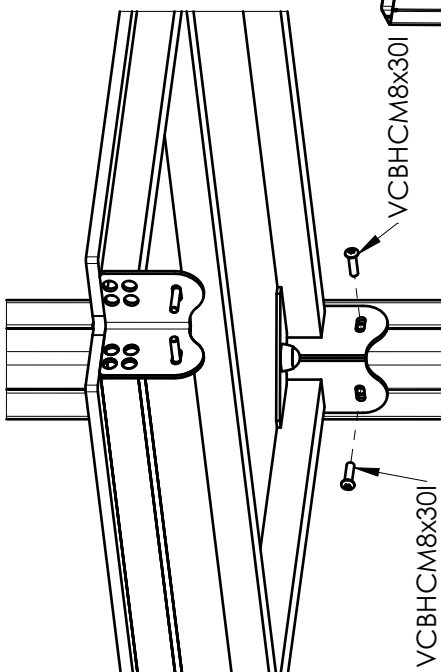
G38106A

HT 1370mm

1 / 1

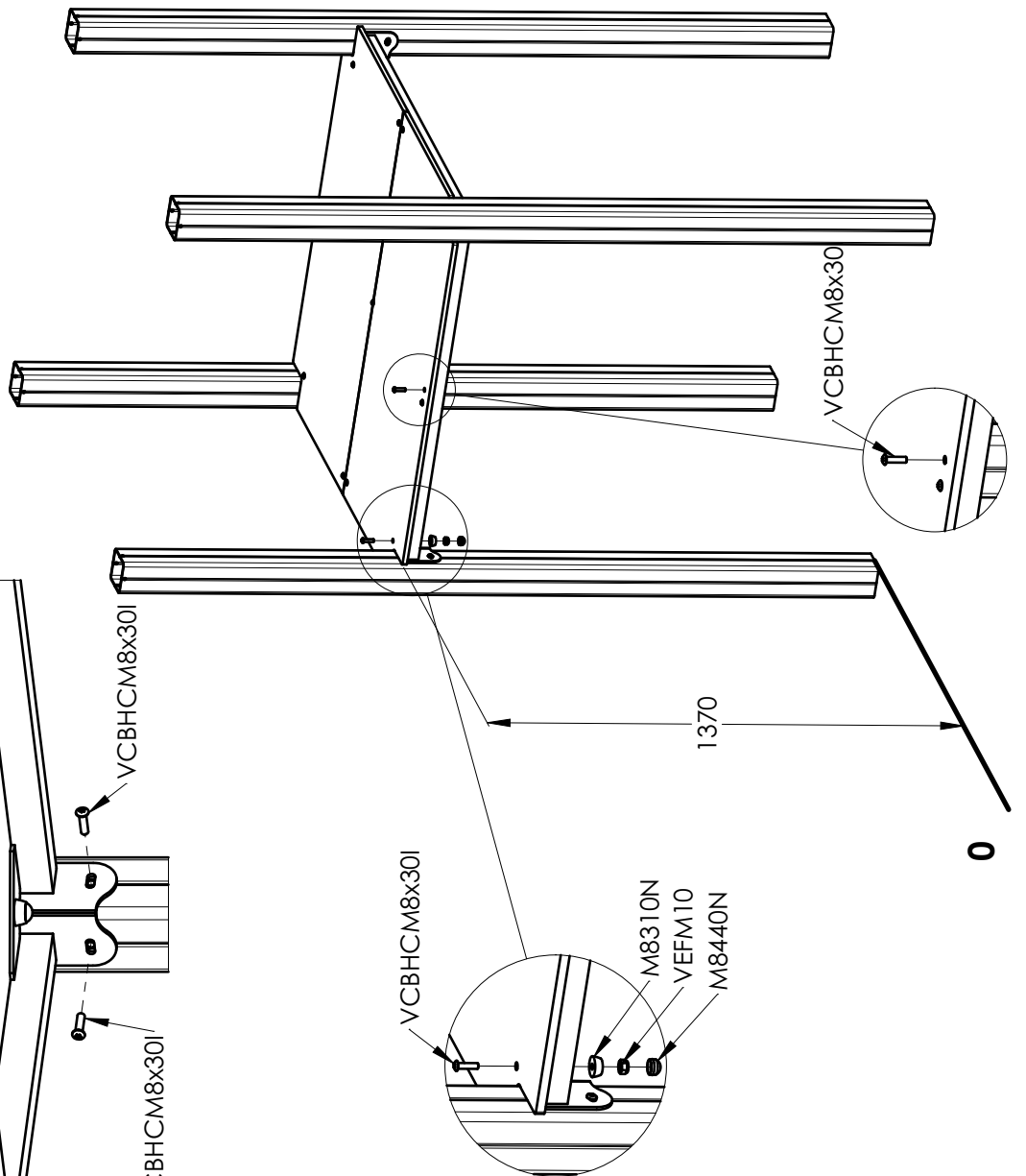
01/10/2017

Procluc



VCBHCM8x30I

VCBHCM8x30I

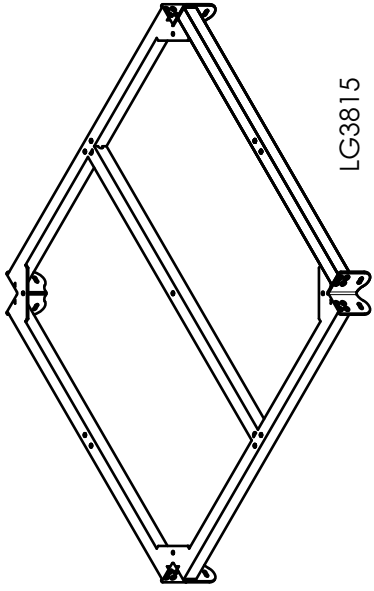


1370

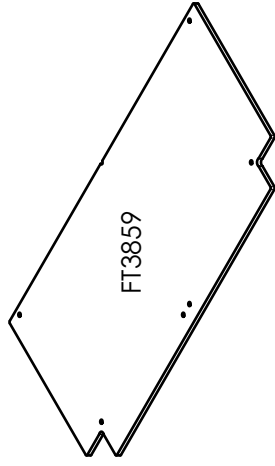
0

VCBHCM8x30I
M8310N
VEFM10
M8440N

VCBHCM8x30

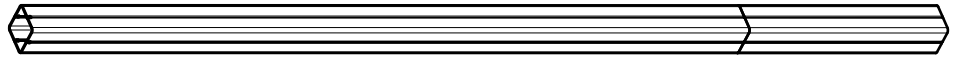


LG3815

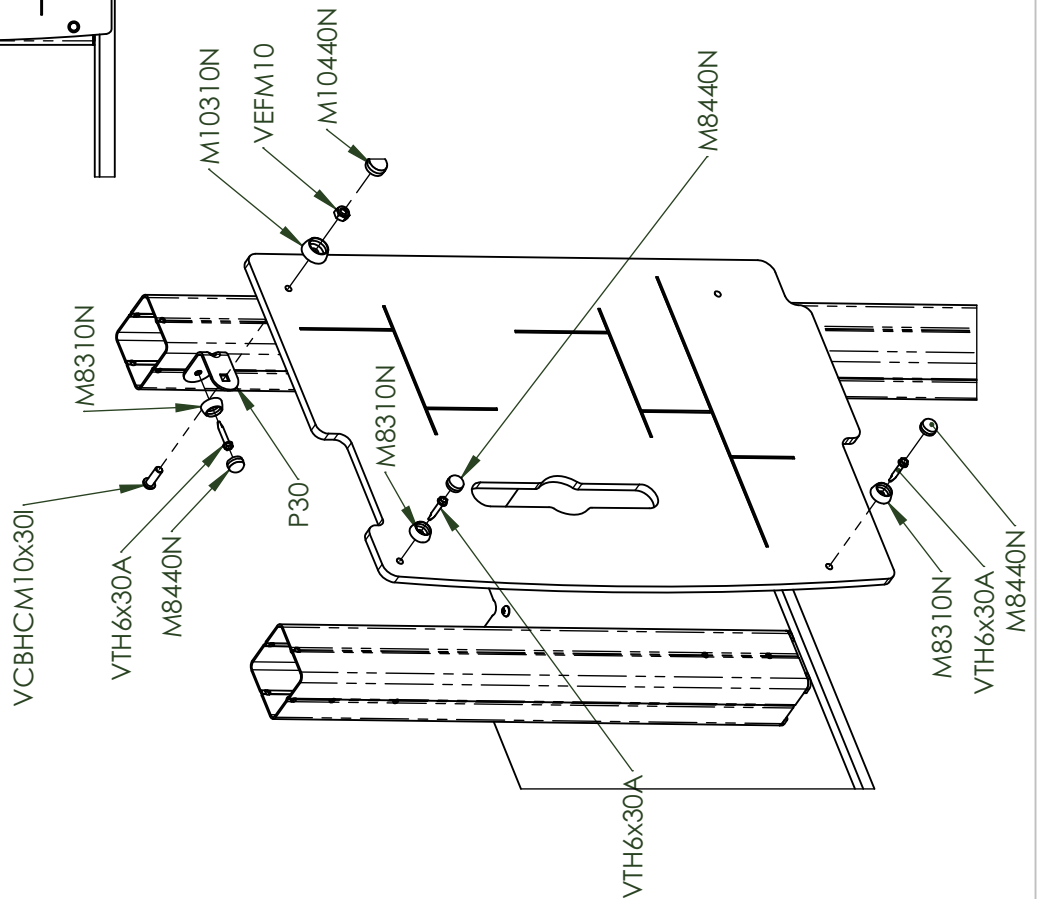
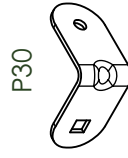
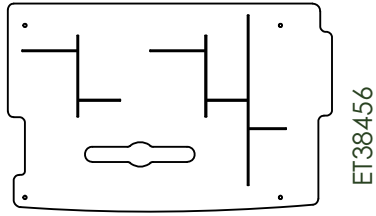
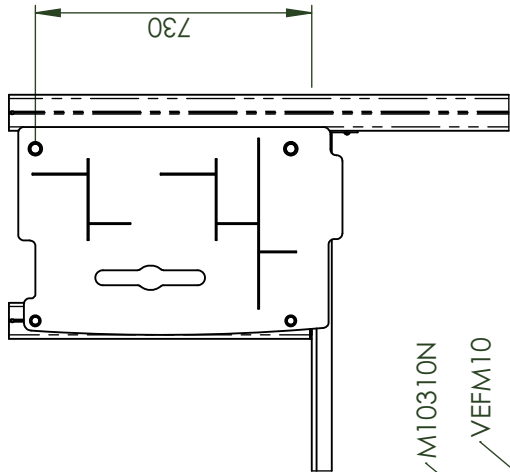


FT3859

U3849A

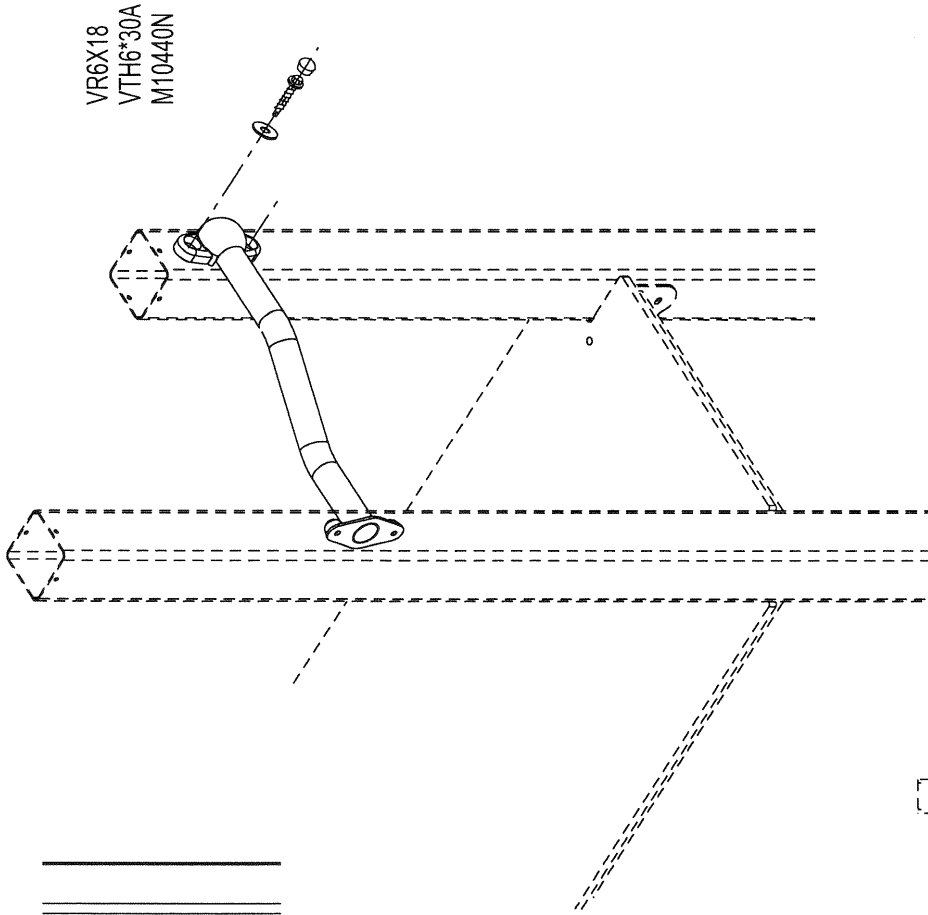
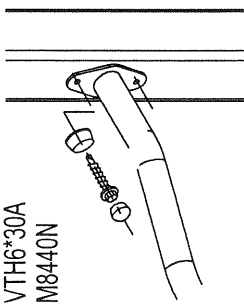


Réf	Qté
FT3859	2
LG3815	1
M8310N	4
M8440N	4
U3849A	2
VCBHCM8x30I	21
VEFM10	4

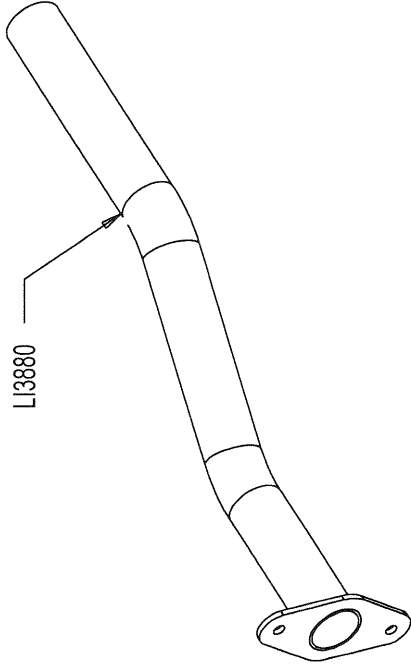


Réf	Qté
M8310N	4
M8440N	4
M10310N	2
M10440N	2
P30	2
VCBHC10x30I	2
VEFM10	2
VTH6x30A	4
ET38456PL	1

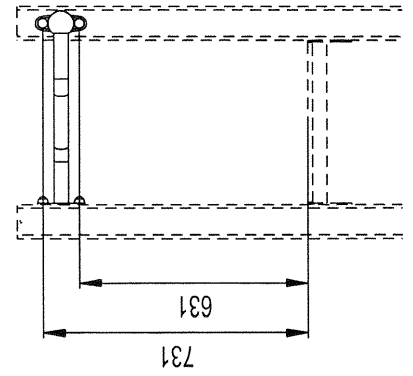
M8310N
VTH6*30A
M8440N



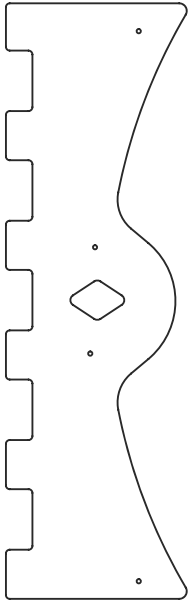
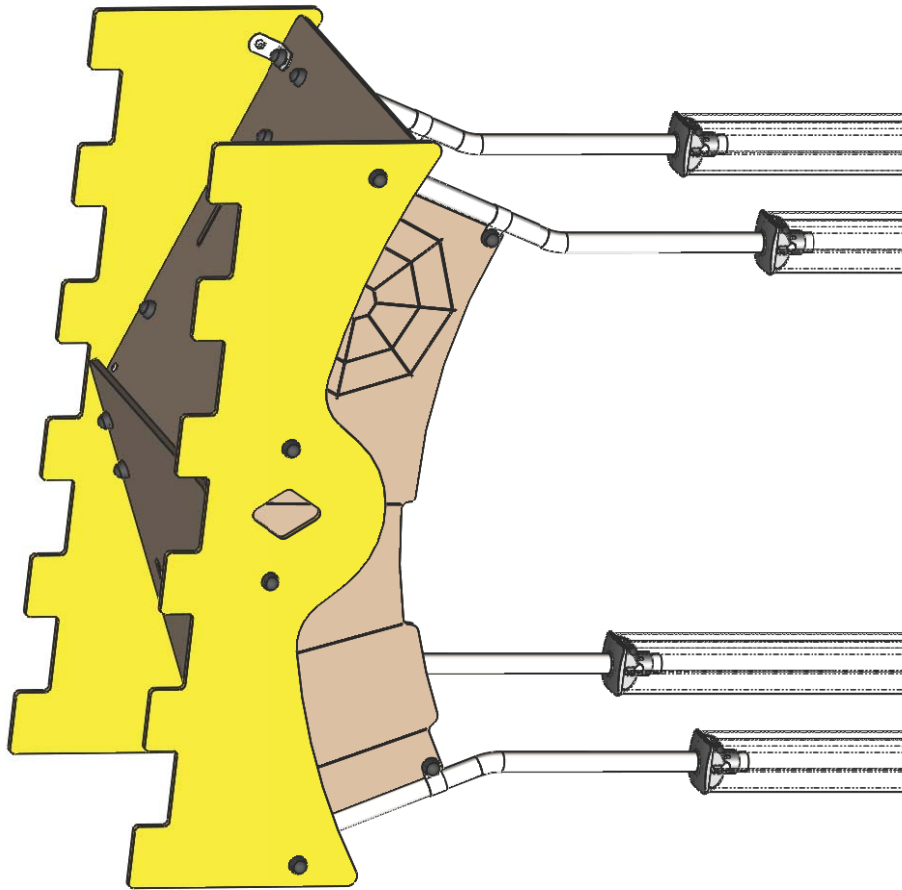
L13880



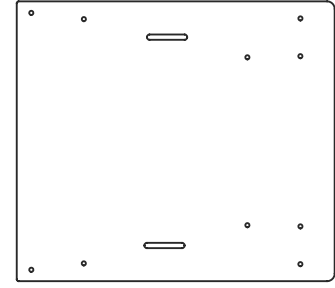
M126N



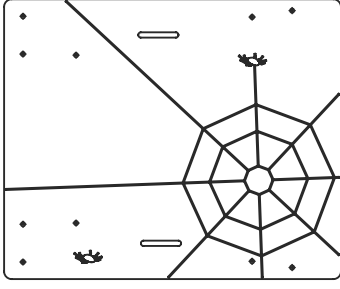
	VR6X18	2
	VTH6X30A	4
	M8440N	2
	M8310N	2
	M10440N	2



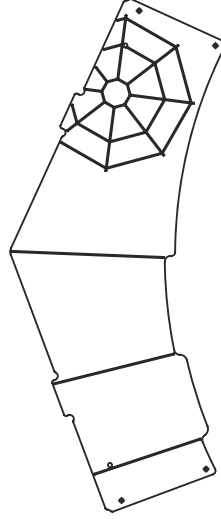
ET38459



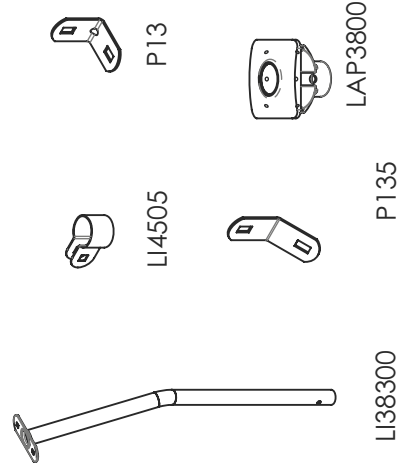
ET38457



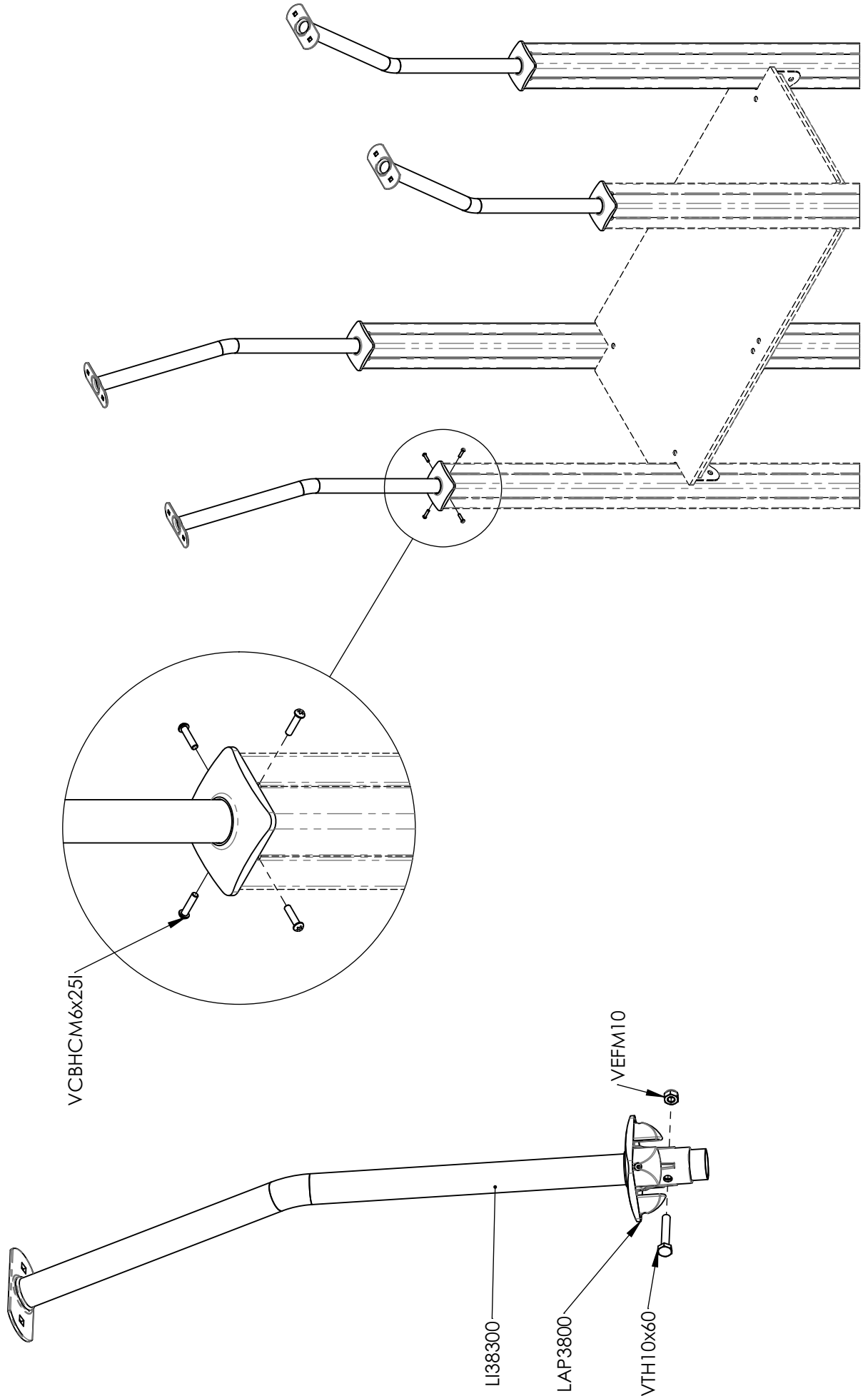
ET38458

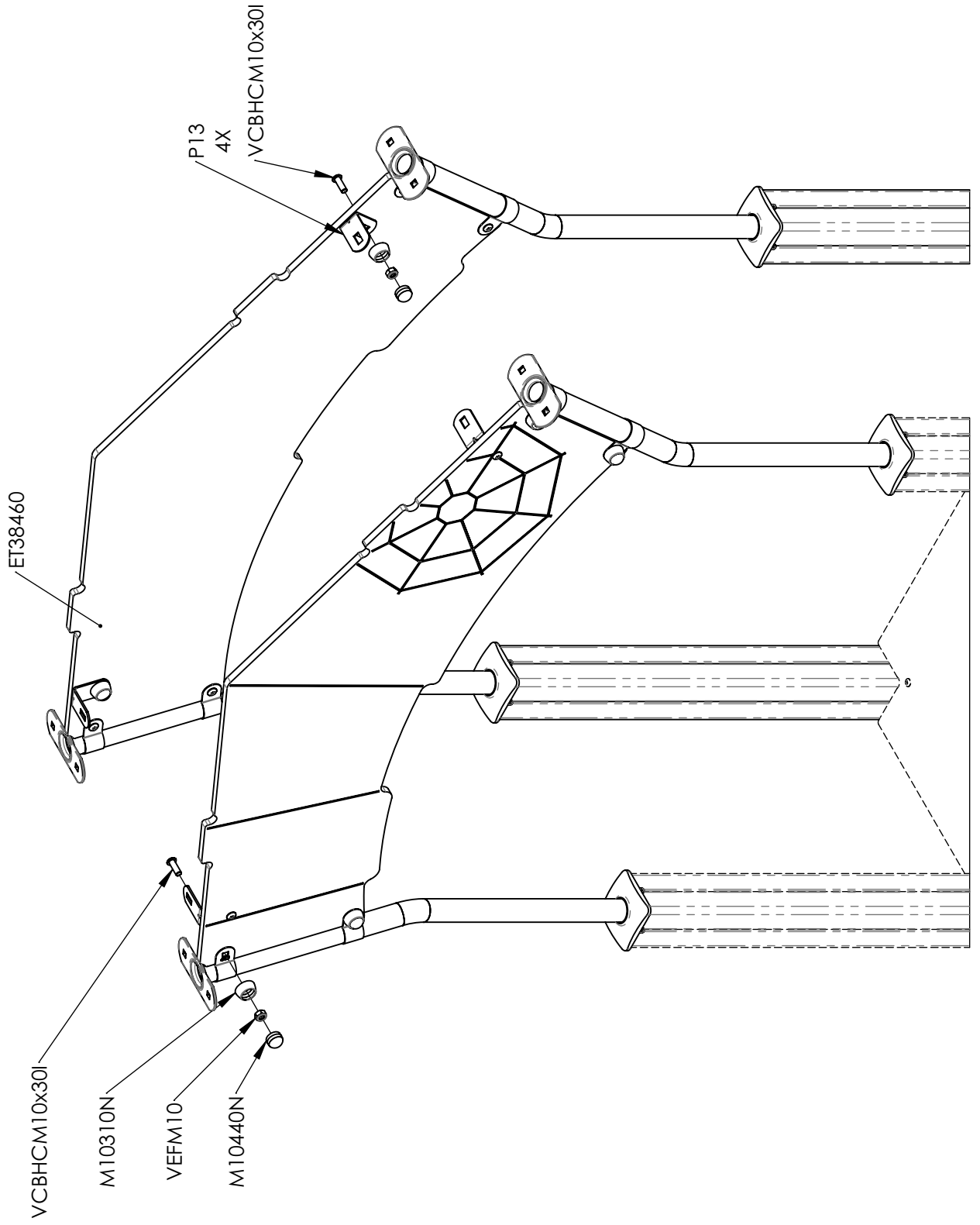


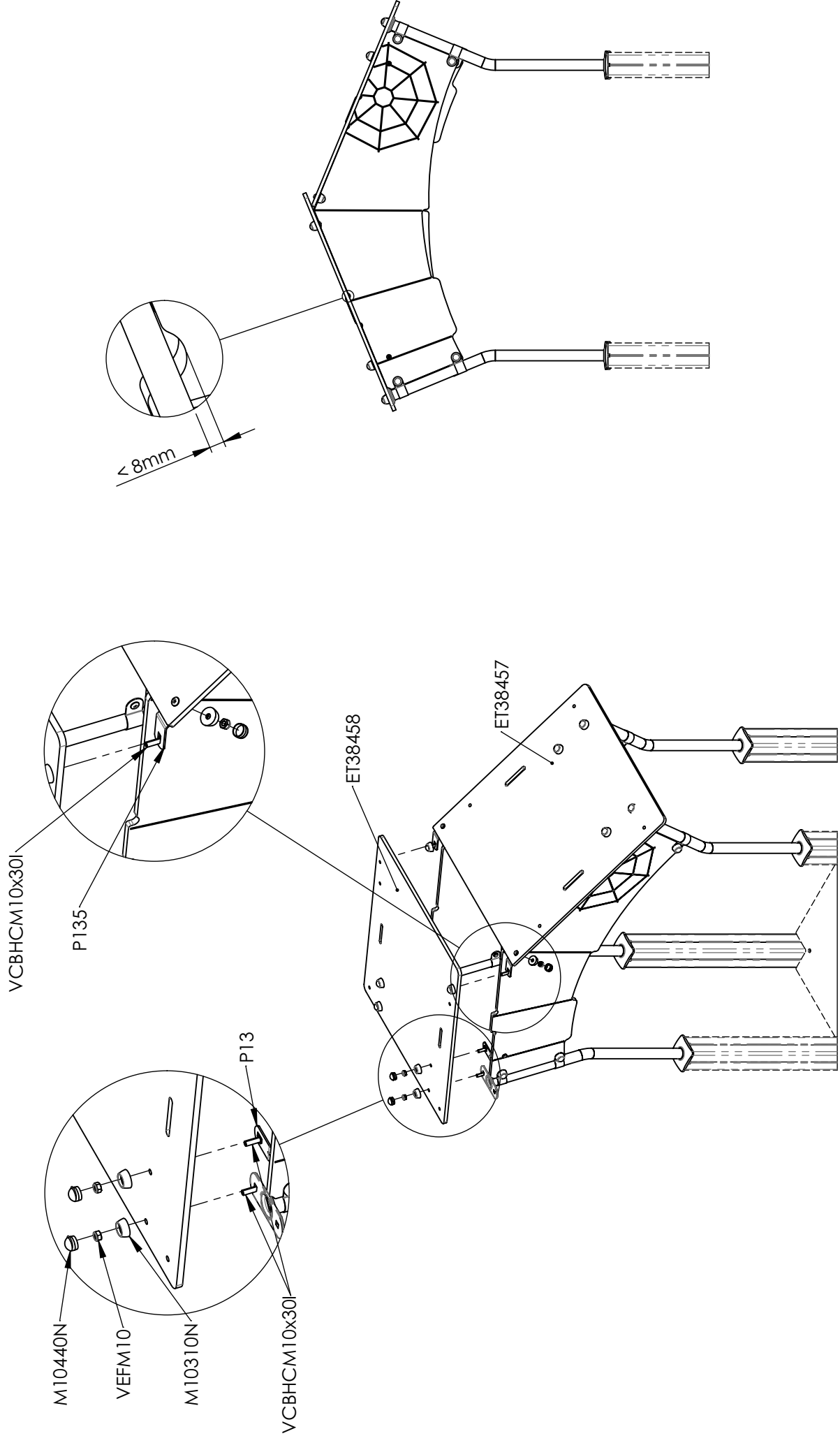
ET38460

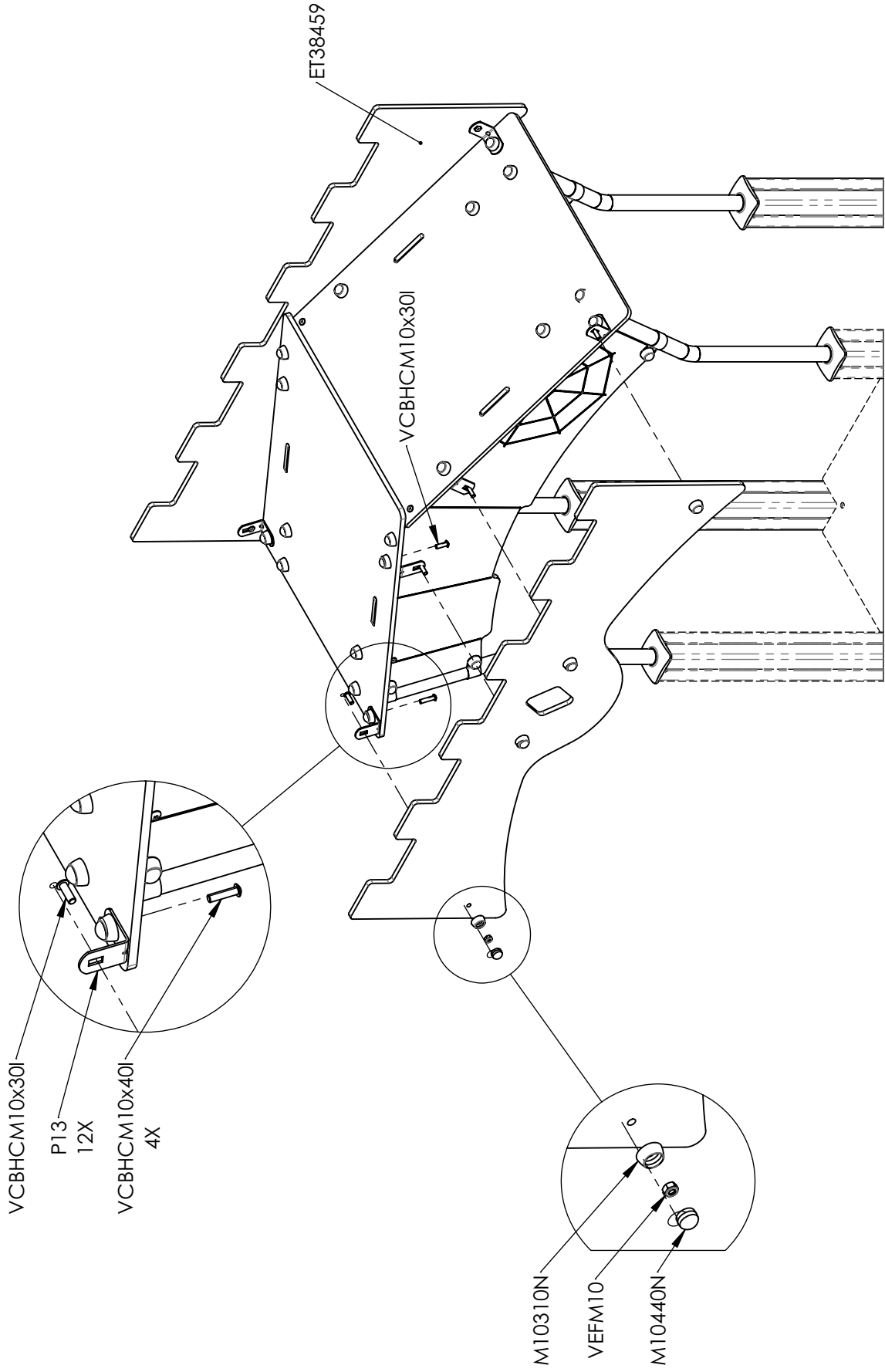


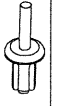
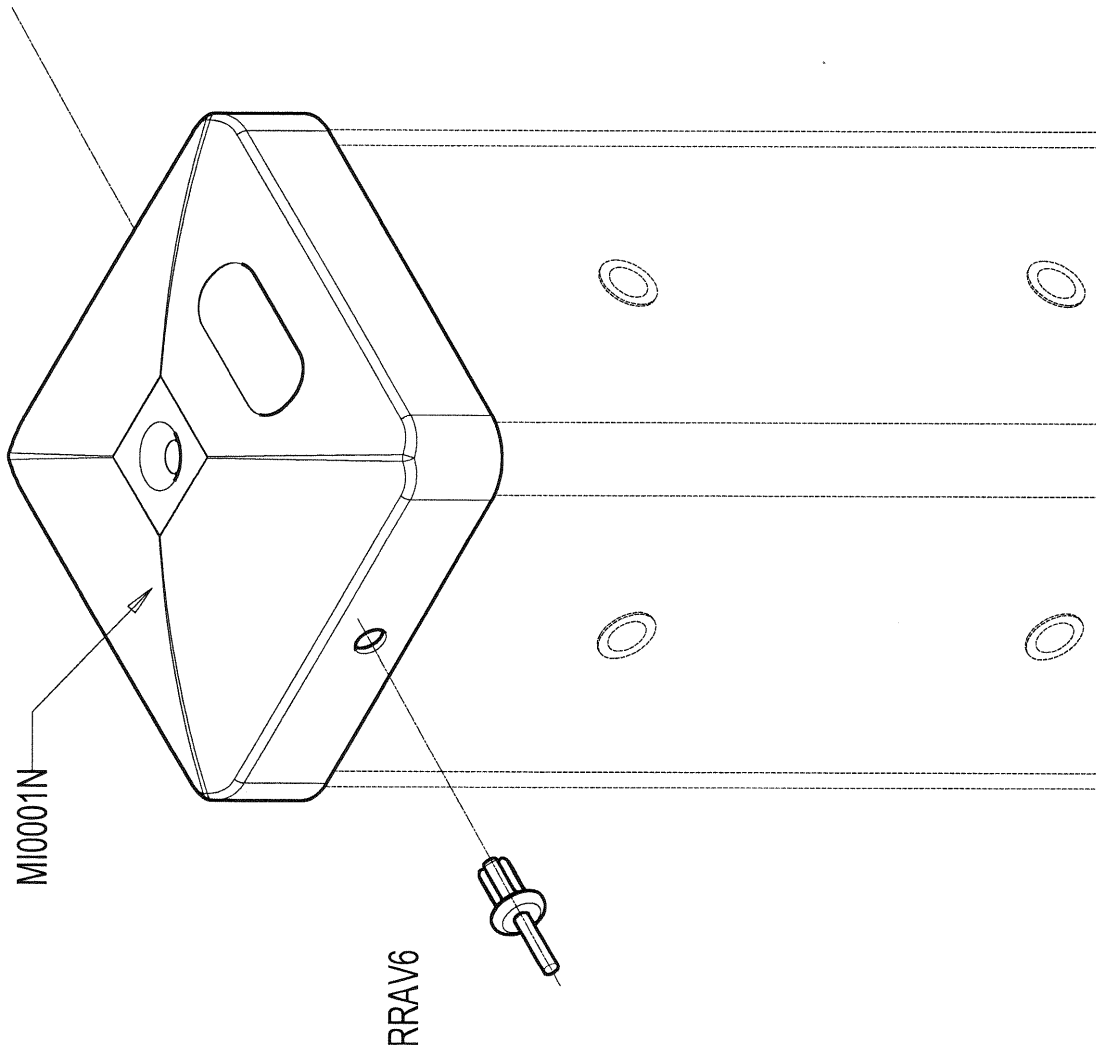
Réf	Qté
ET38457PL	1
ET38458PL	1
ET38459J	2
ET38460PL	2
LAP3800	4
LI38300	4
M10310N	40
M10440N	40
P13	12
P135	2
VCBHCM6x25I	16
VCBHCM10x30I	36
VCBHCM10x40I	4
VEFM10	44
VTH10x60	4
LI4505	8





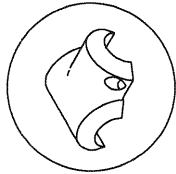
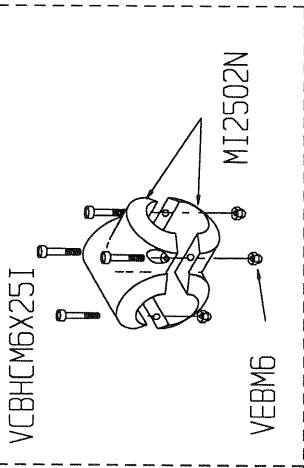




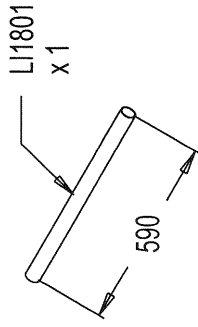


RRAV6

2

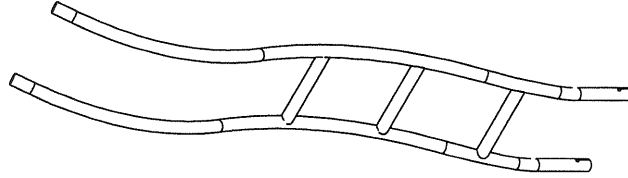
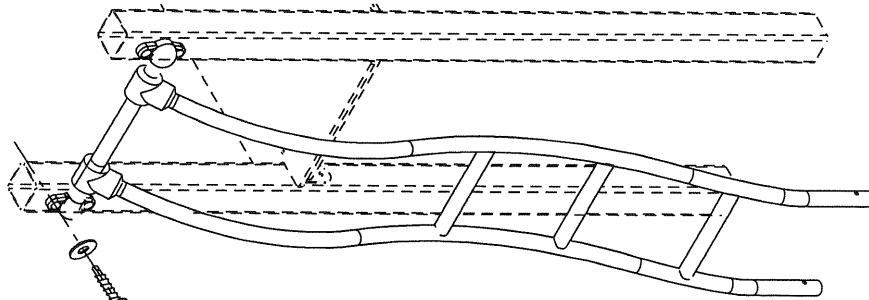


MI2502N x 4

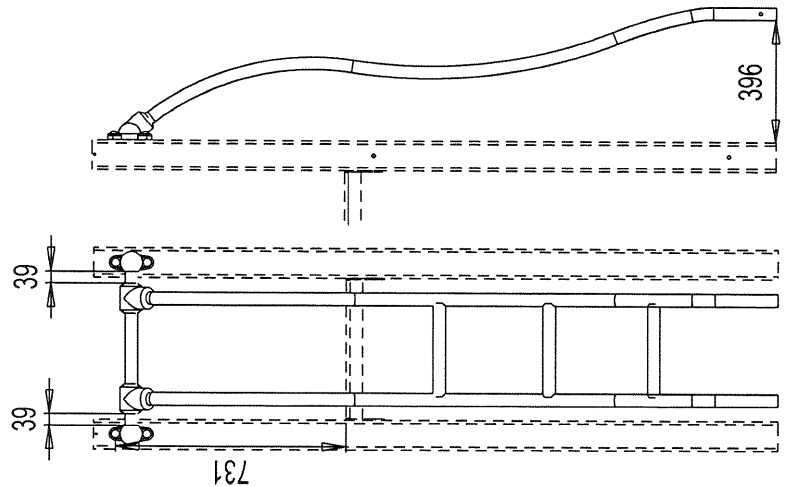


LI1801
x 1

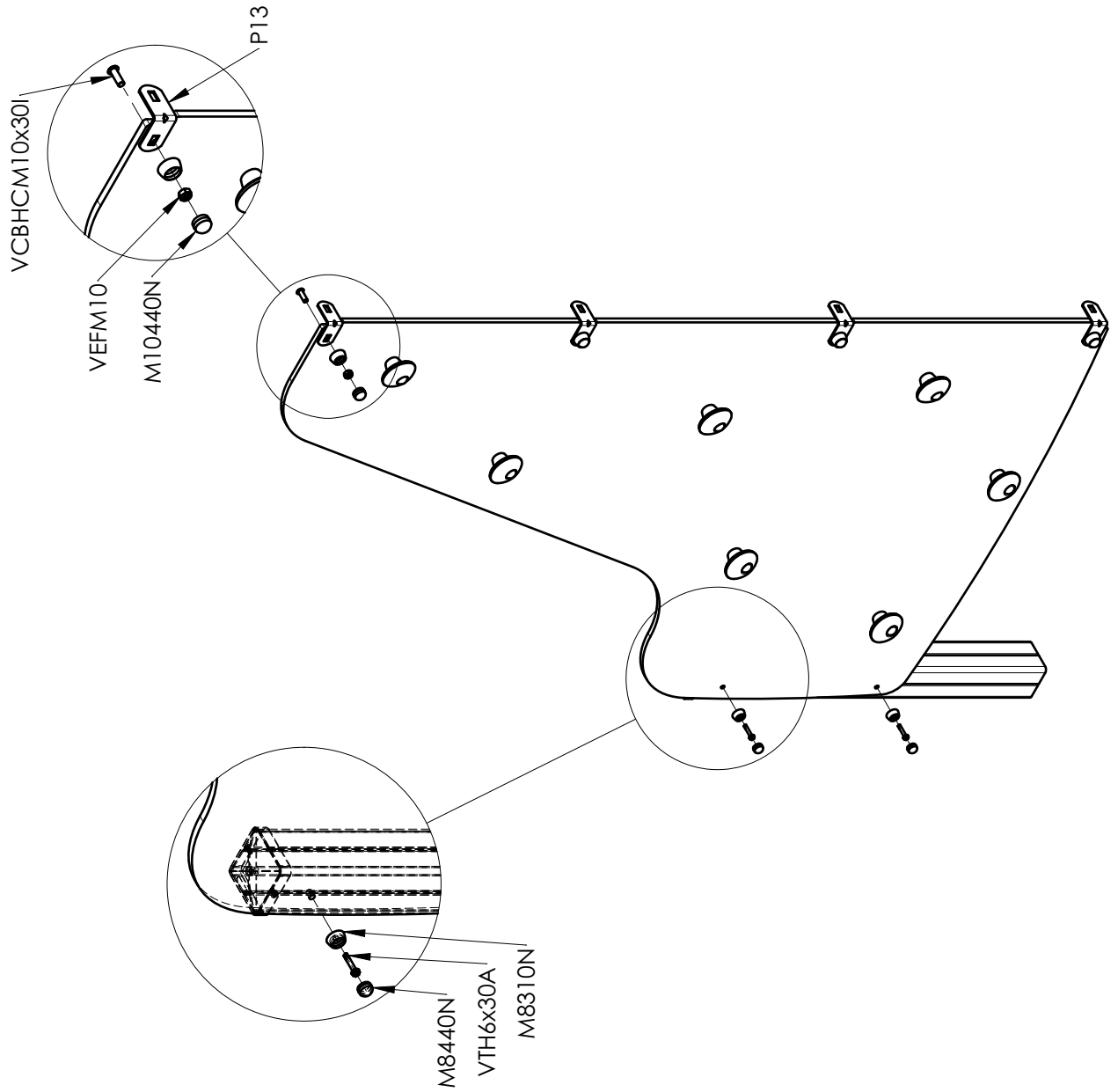
VR6*18
VTH6*30A
M10440N



LI33130 x 1



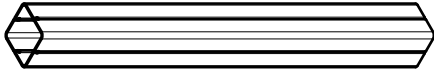
	VR6X18	4
	MI26N	2
	VTH6X30A	4
	VCBHCM6*25I	8
	VEBM6	8
	M10440N	4



U3853A



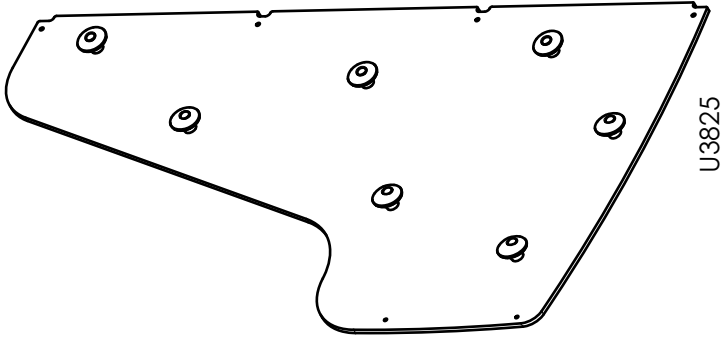
LGP3835A



MI0001N

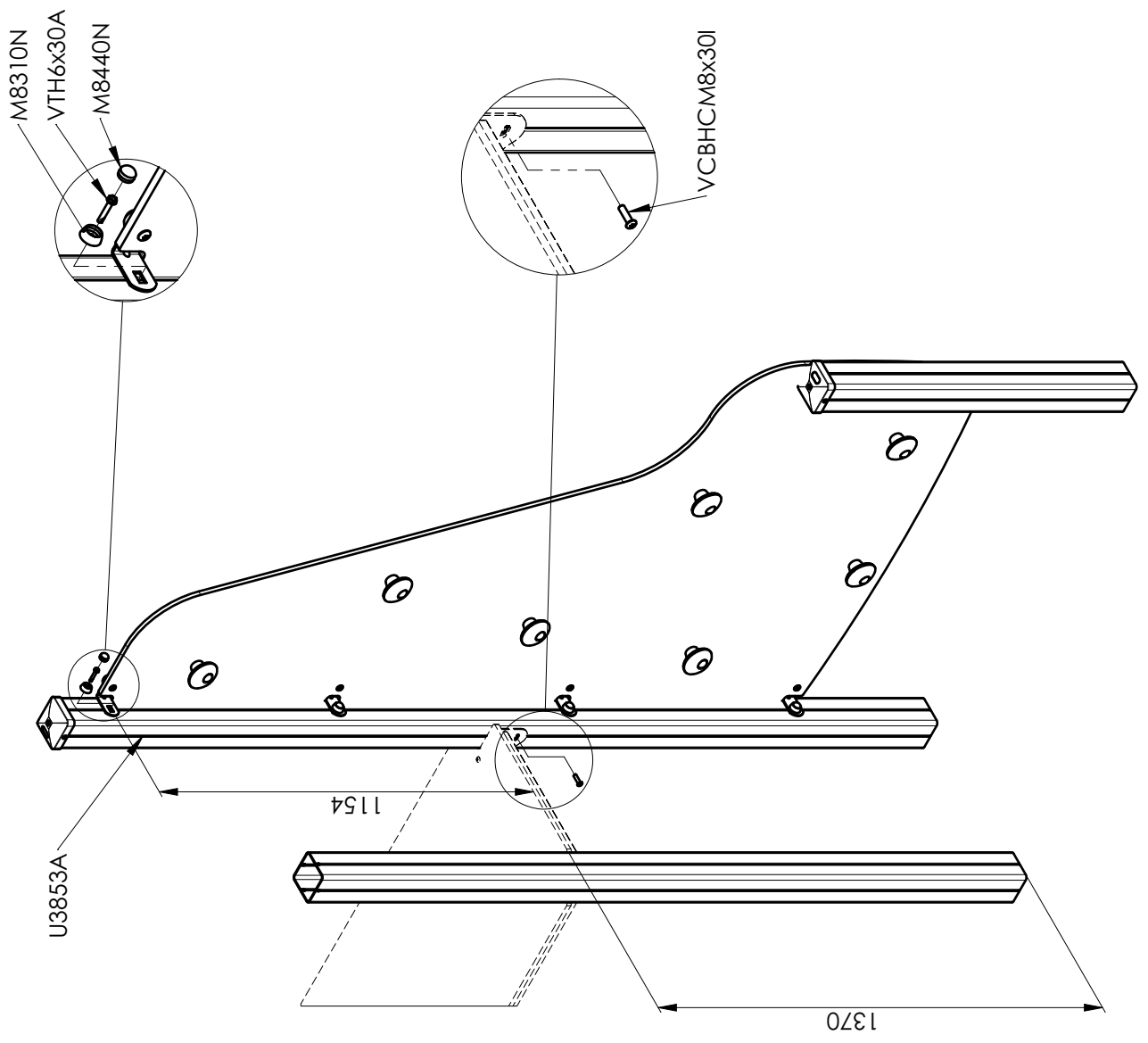


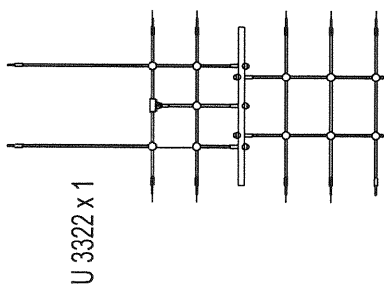
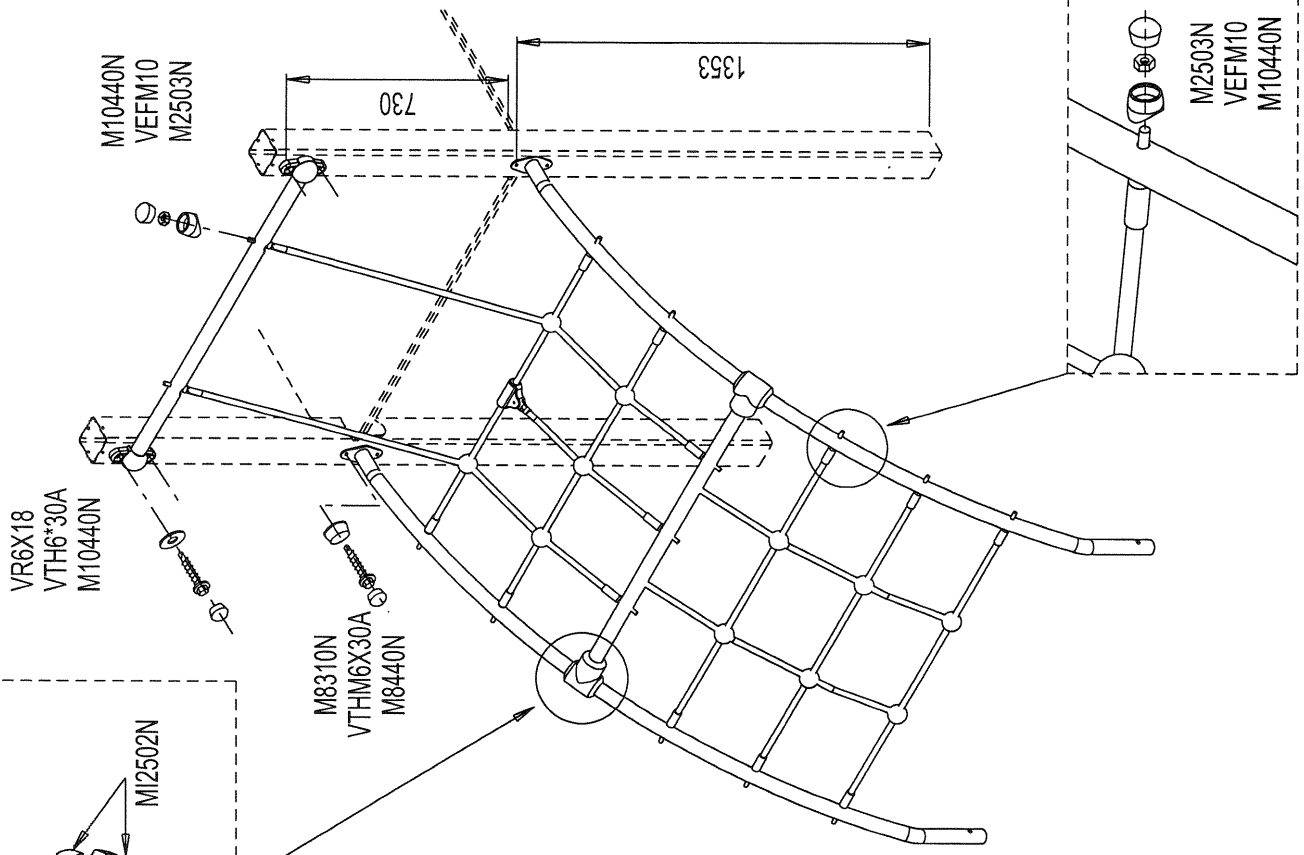
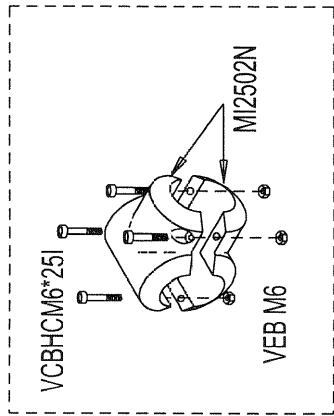
P13



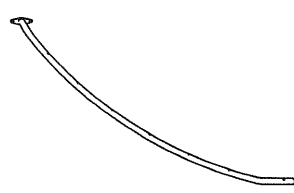
U3825

Réf	Qté
LGP3835A	1
M8310N	6
M8440N	6
M10310N	4
M10440N	4
MI0001N	2
P13	4
RRAV6	4
U3825	1
U3853A	1
VCBHCM8x30I	1
VCBHCM10x30I	4
VEFM10	4
VTH6x30A	6



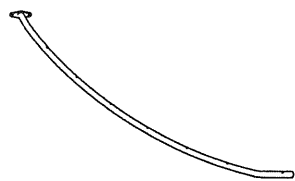


MI2502 N x 4

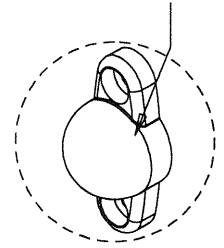
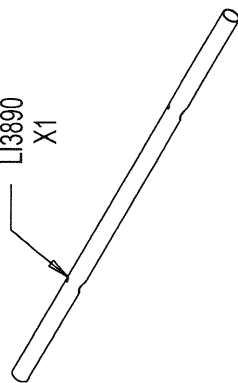


LI 33138 x1

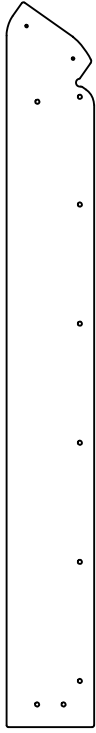
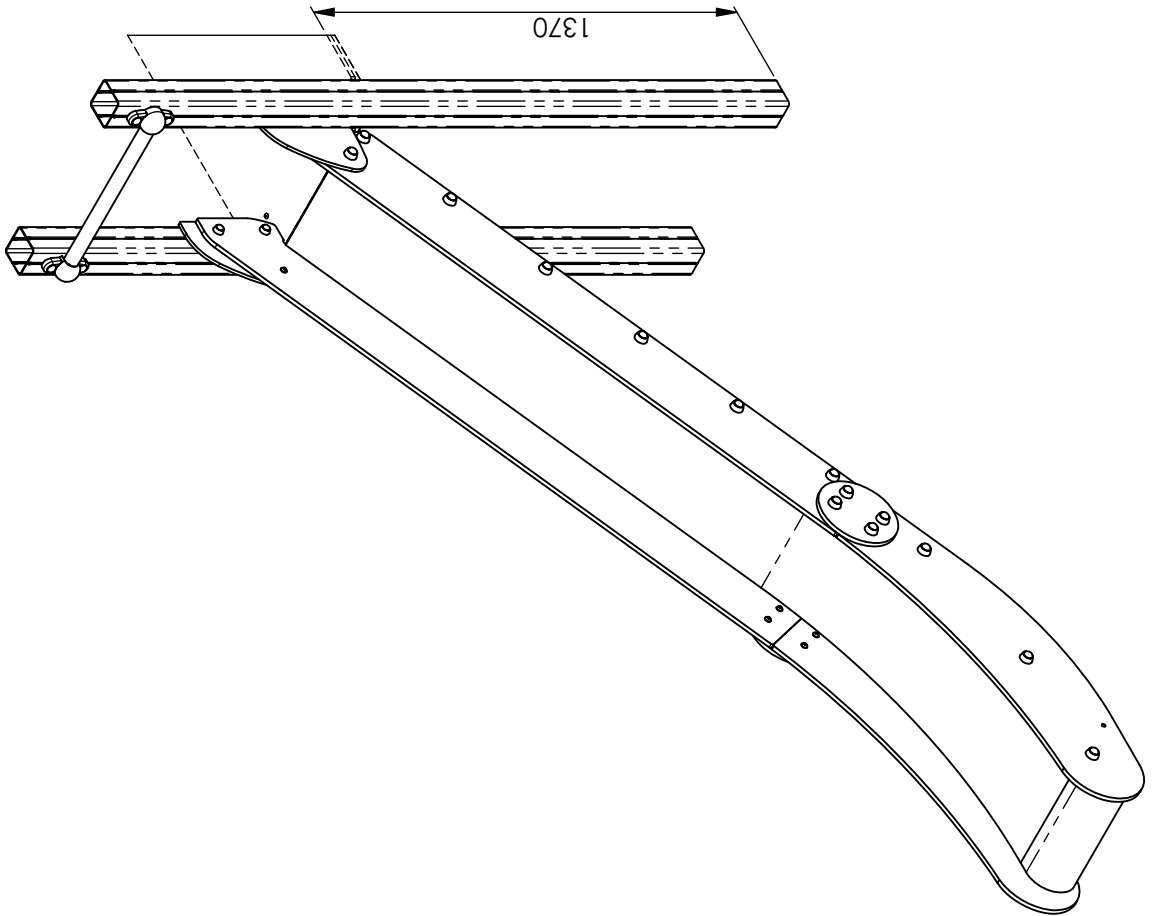
LI 33139 x1



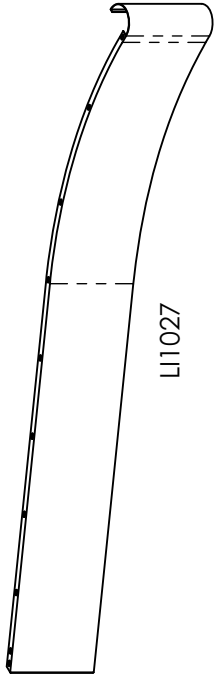
LI3890
X1



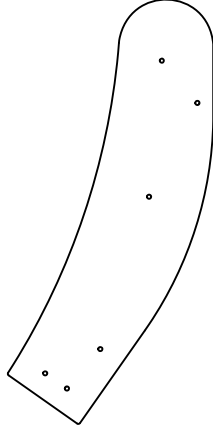
	M8440N	4
	VR6X18	4
	VCBHC6*25I	8
	VEBM6	8
	MI2503N	12
	M10440N	16
	M8310N	4
	VEFM10	12
	VTH6X30A	8



ET3877



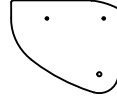
LI1027



ET4785



ET4784



EP3876M

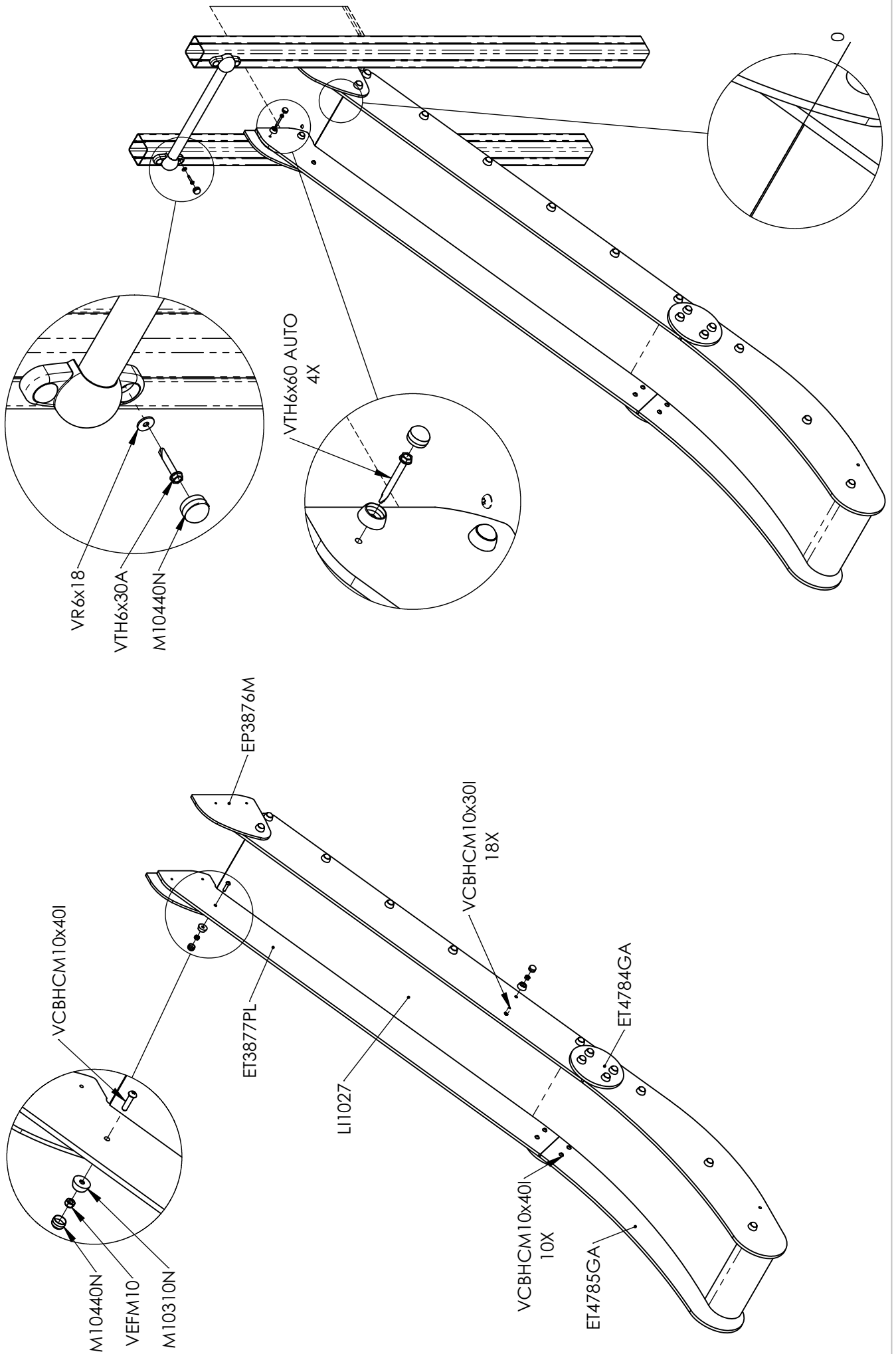


LI1801

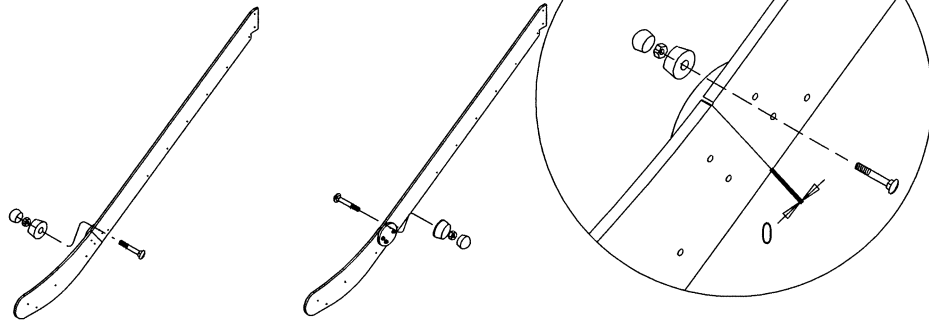


MI26N

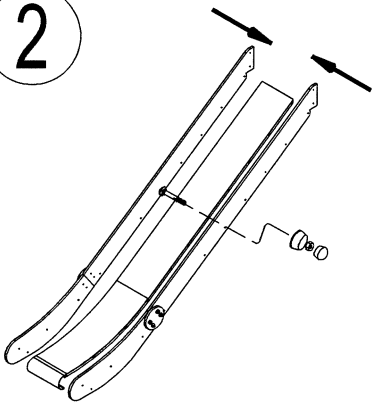
Réf	Qté
EP3876M	2
ET3877PL	2
ET4784GA	2
ET4785GA	2
LI1027	1
LI1801	1
M8310N	4
M8440N	4
M10310N	28
M10440N	32
MI26N	2
VCBHC10x30I	18
VCBHC10x40I	10
VEFM10	28
VR6x18	4
VTH6x30A	4
VTH6x60 AUTO	4



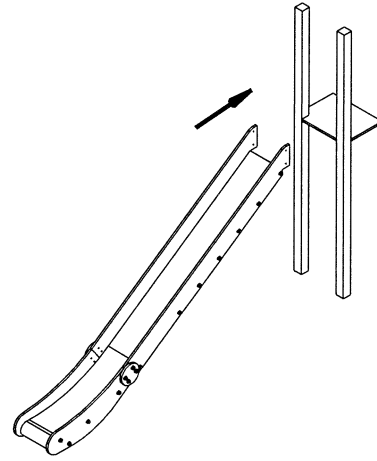
1



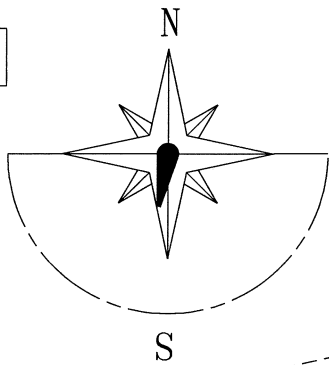
2



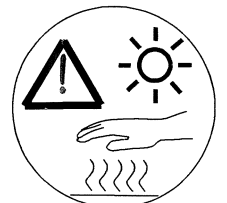
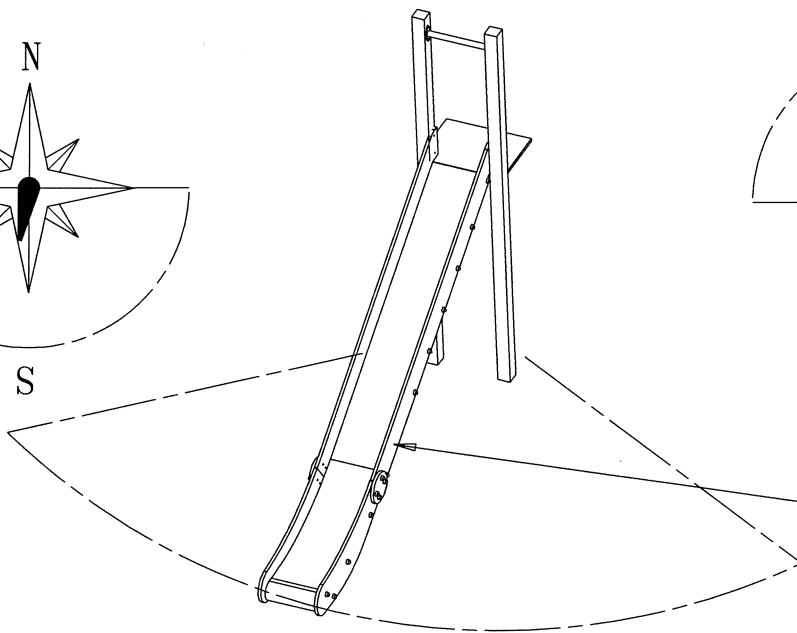
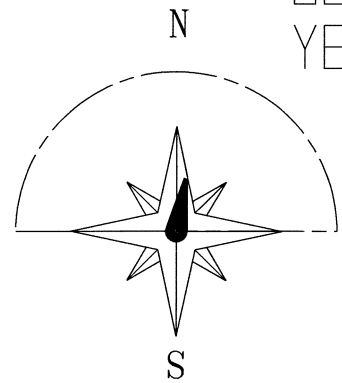
3



NON
NO



OUI
YES



STOBG

FR

Il est recommandé de ne pas orienter la glissière Sud / Sud Ouest