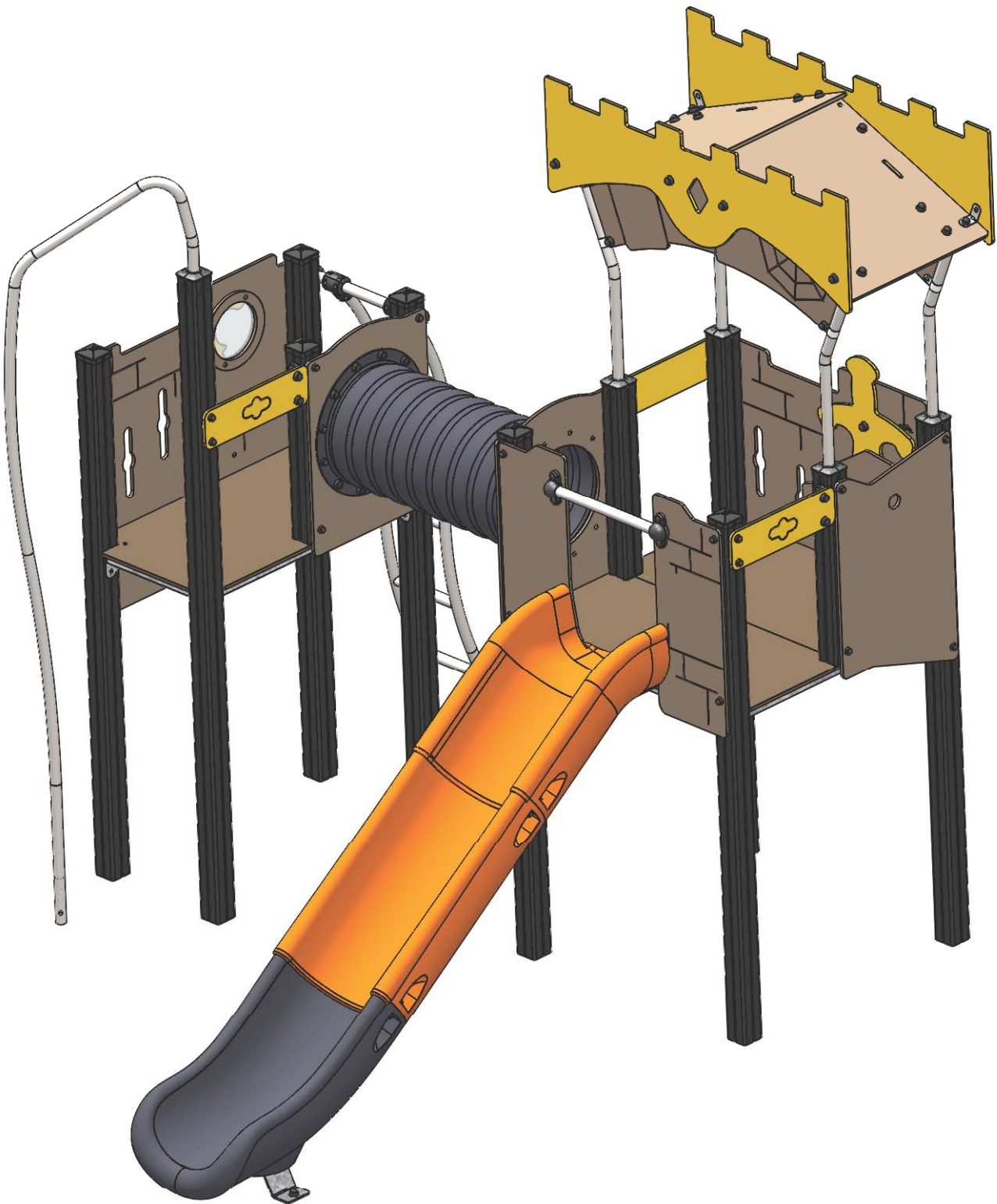


J38450

Proludic





N°		
1	1 m	6 m ²
2	1.37 m	20.5 m ²
3	2.1 m	9.5 m ²

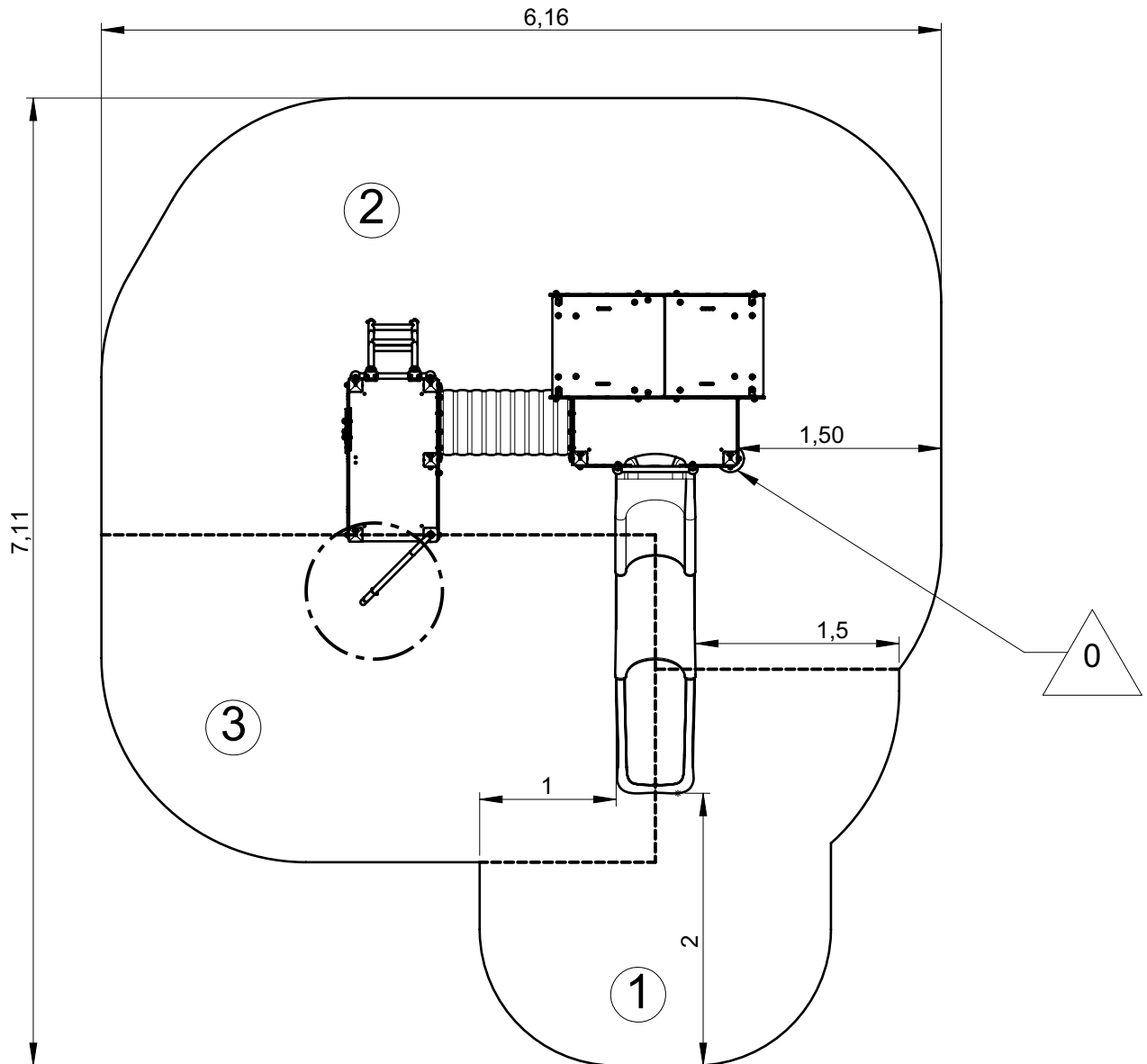
— Zone d'impact
Impact area
Area de impacto
Fallraum
Valzone

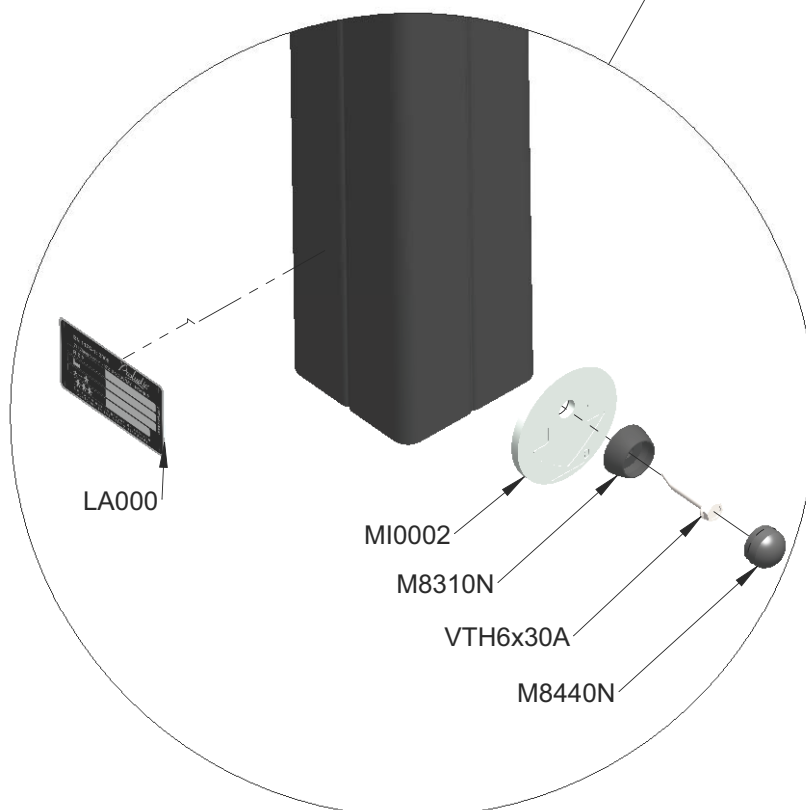
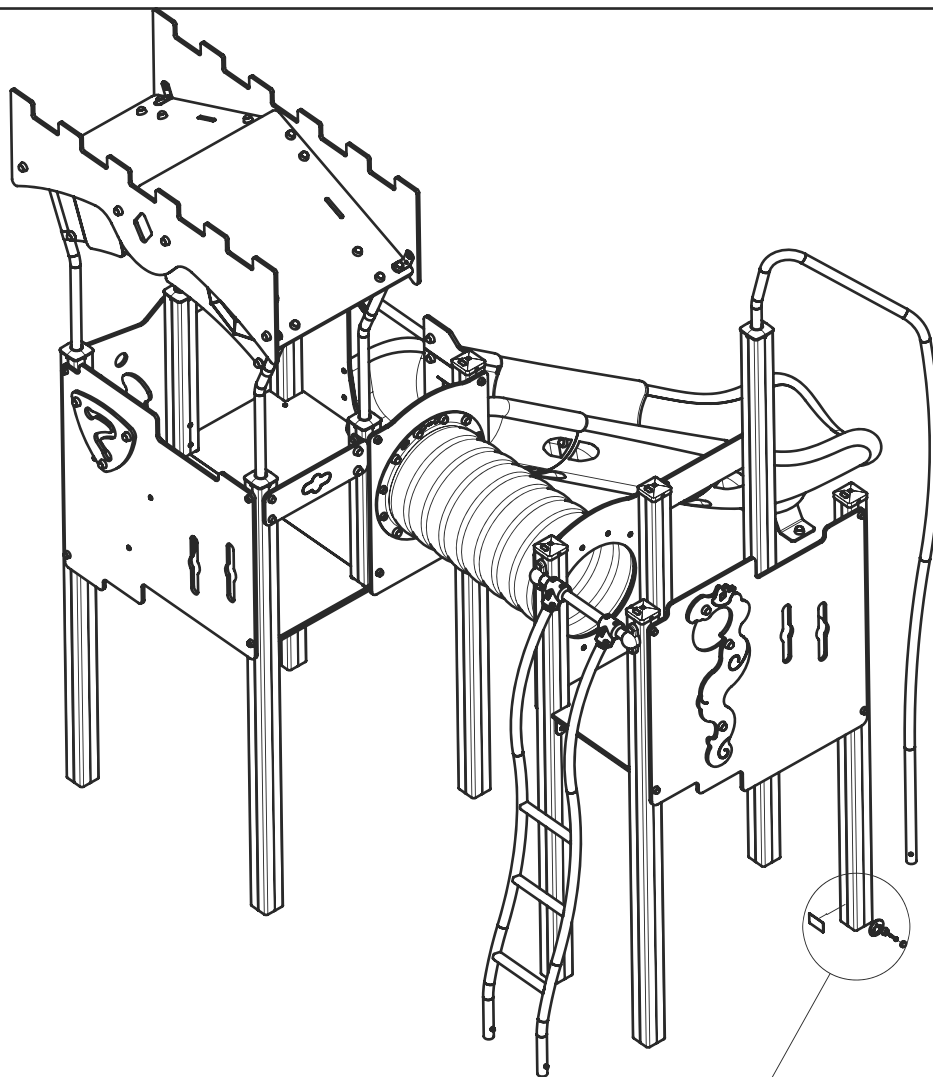


Point de référence
Setting out point
Punto de referencia
Bezugspunkt
Referentiepunt

- - - Espace libre
Free space
Espacio libre
Freiraum
Vrije ruimte

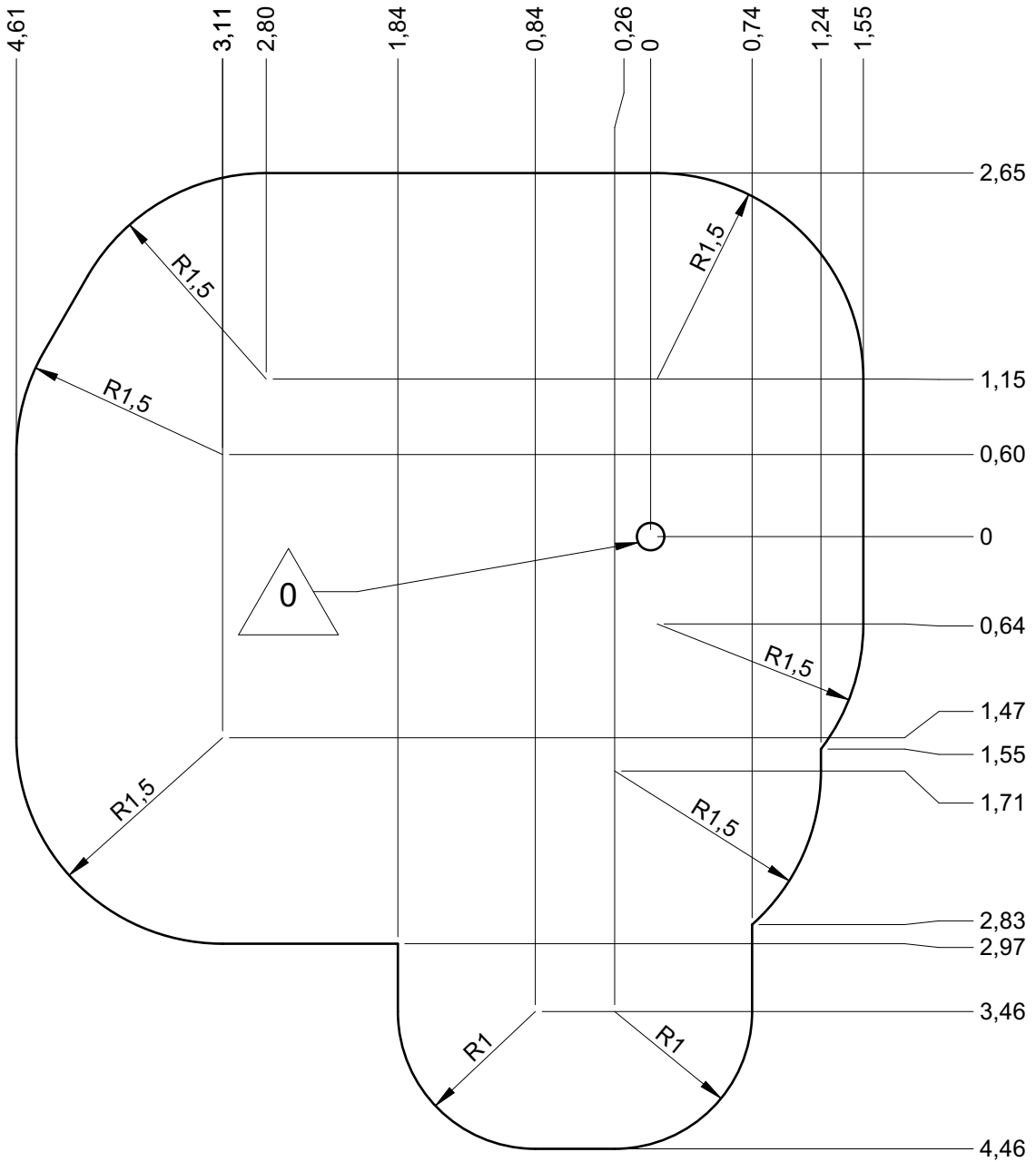
EN1176-1:2017
EN1176-3:2017





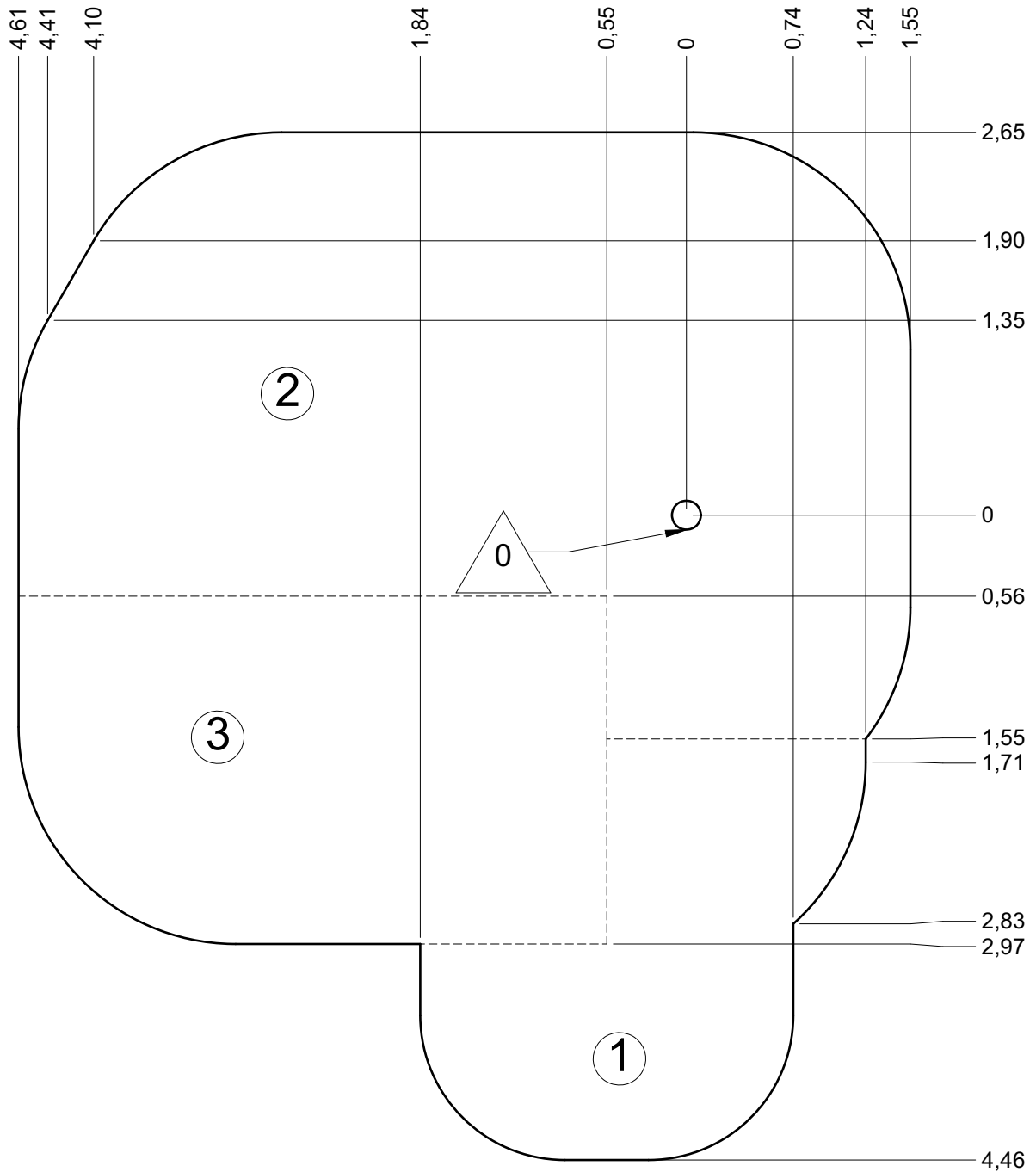
— Zone d'impact
 Impact area
 Area de impacto
 Fallraum
 Valzone

35.5 m²



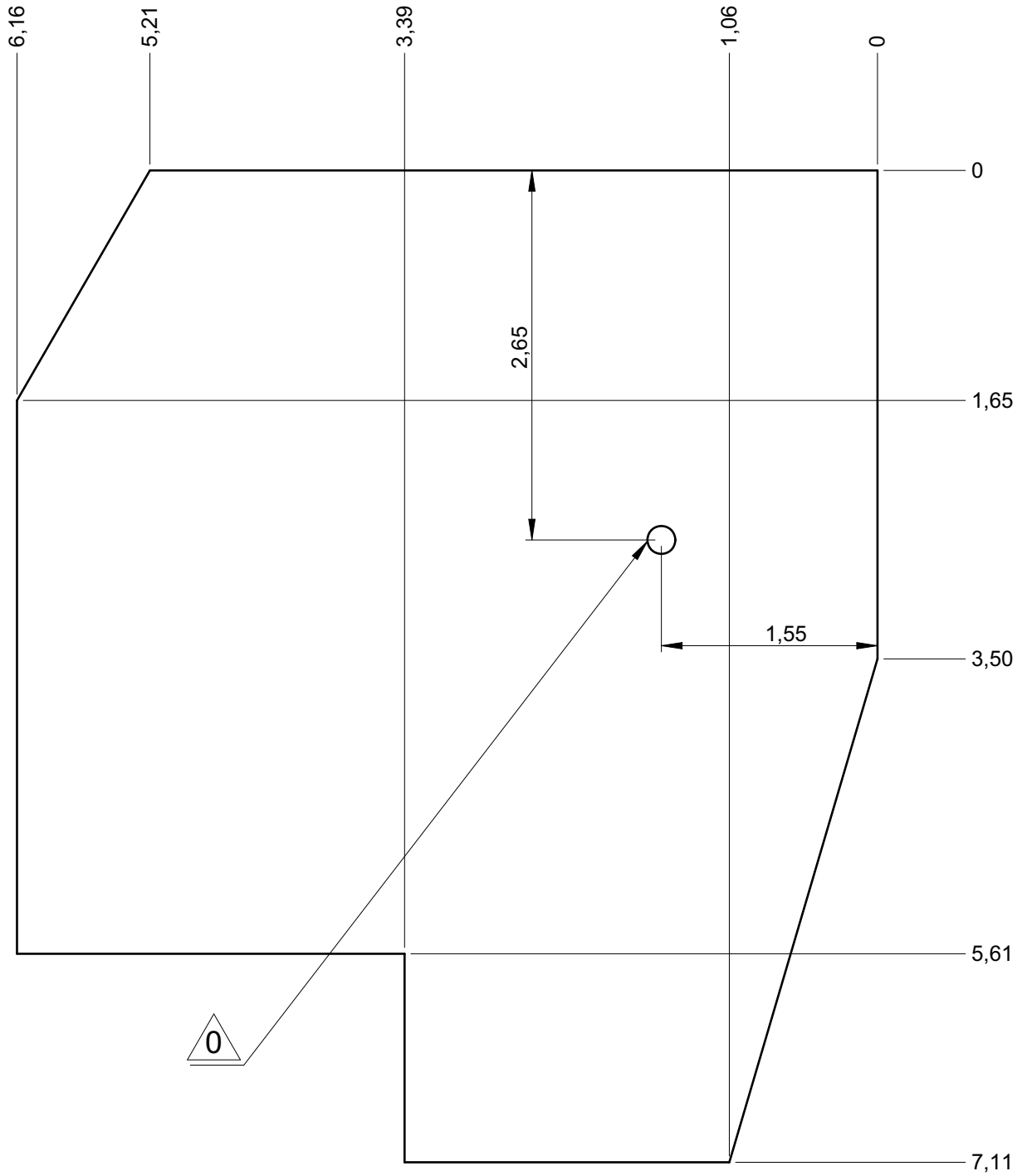
— Sol souple
 — Wetpour
 — Caucho continuo
 — Synthetischer fallschutz
 — Gietvloer

35.5 m²

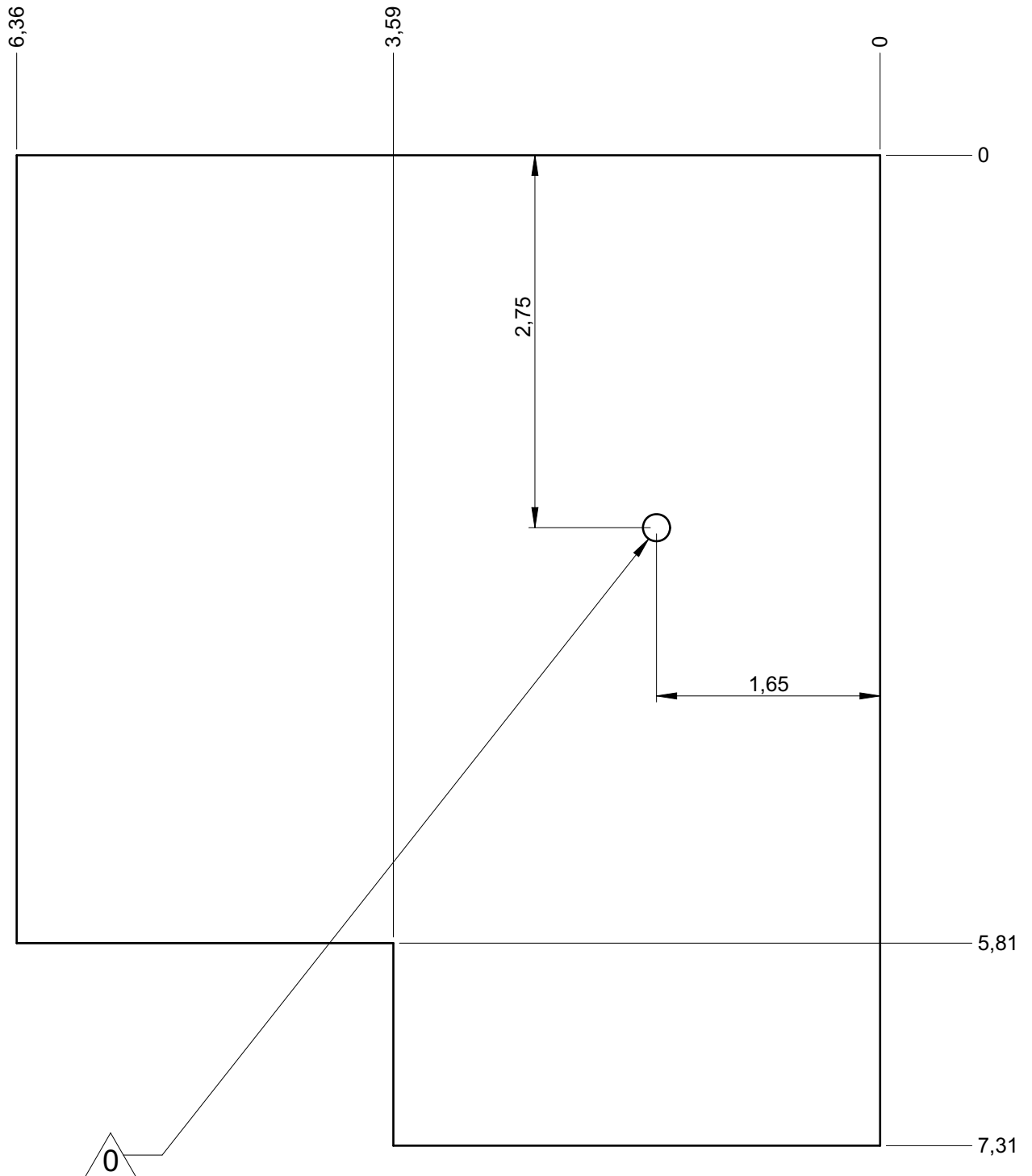


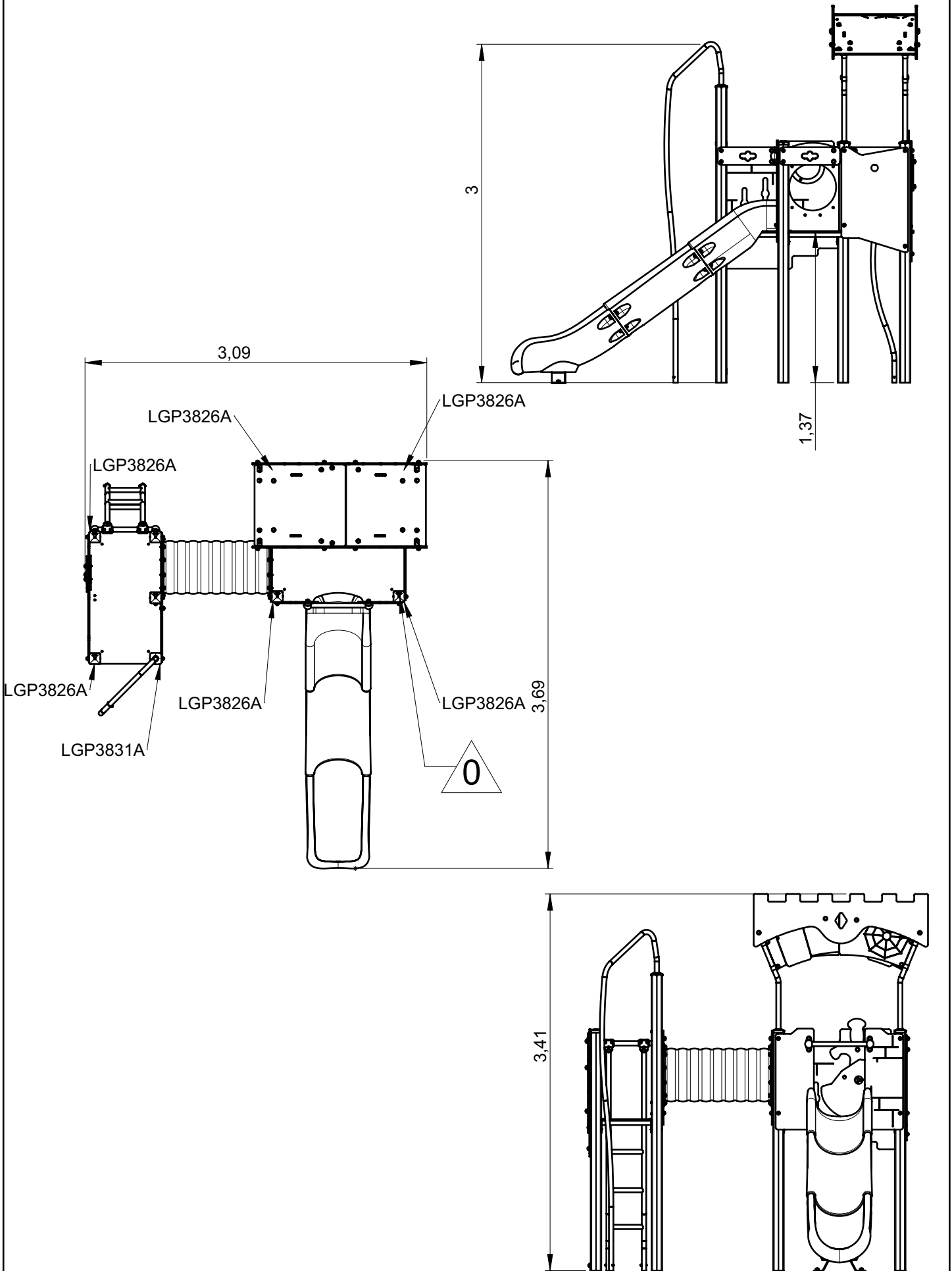
— Dalle béton
 Concrete pad
 Solera de hormigon
 Beton bodenplatte
 Betonnen bodemplaat

25.5 m
 37.5 m²



— Sol fluent
Loos partucule material 28.5 m
Arenero
Loses Bodenmaterial 42.5 m²
Los bodemateriaal

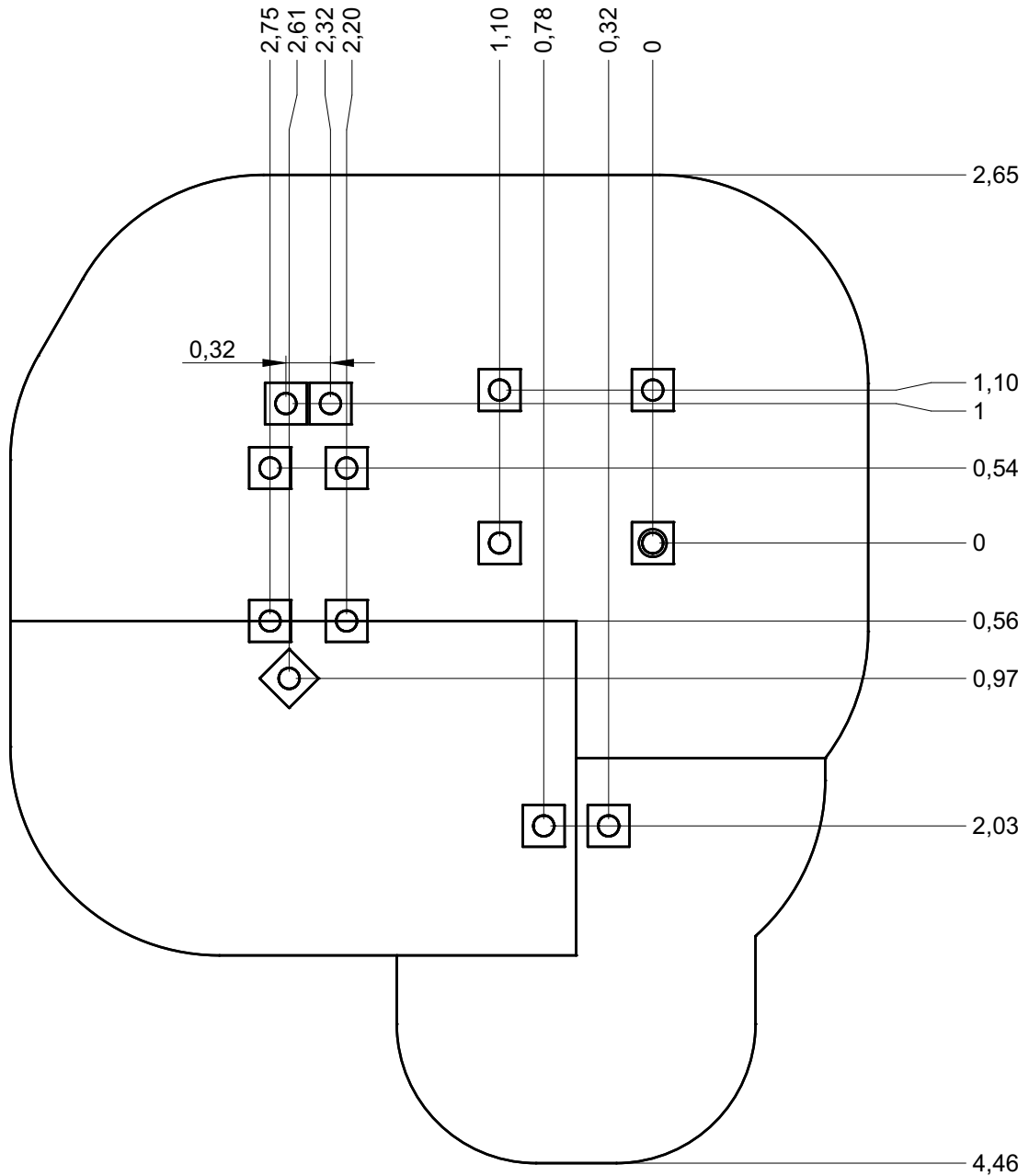







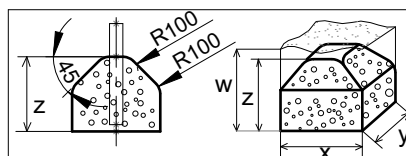
J38450A






Implantation
 Footing plan
 Implantación
 Fundomentplan
 Funderingstekening

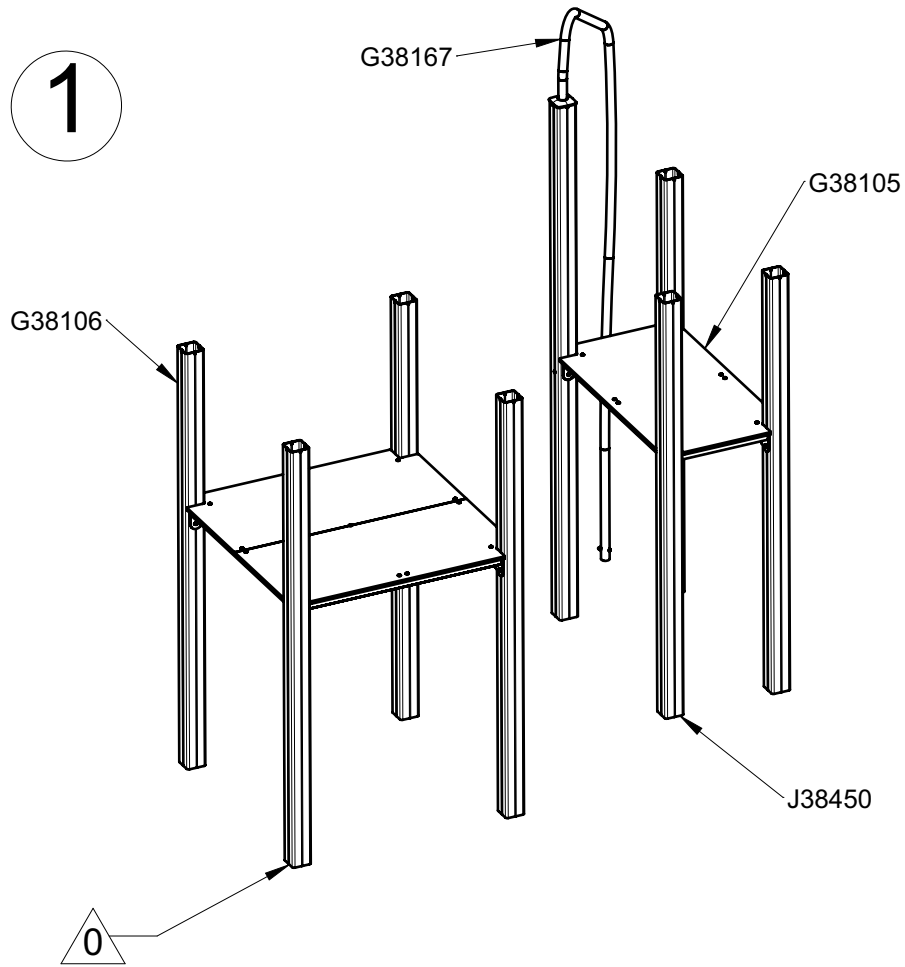


 x2
 12H
 0.35 m³

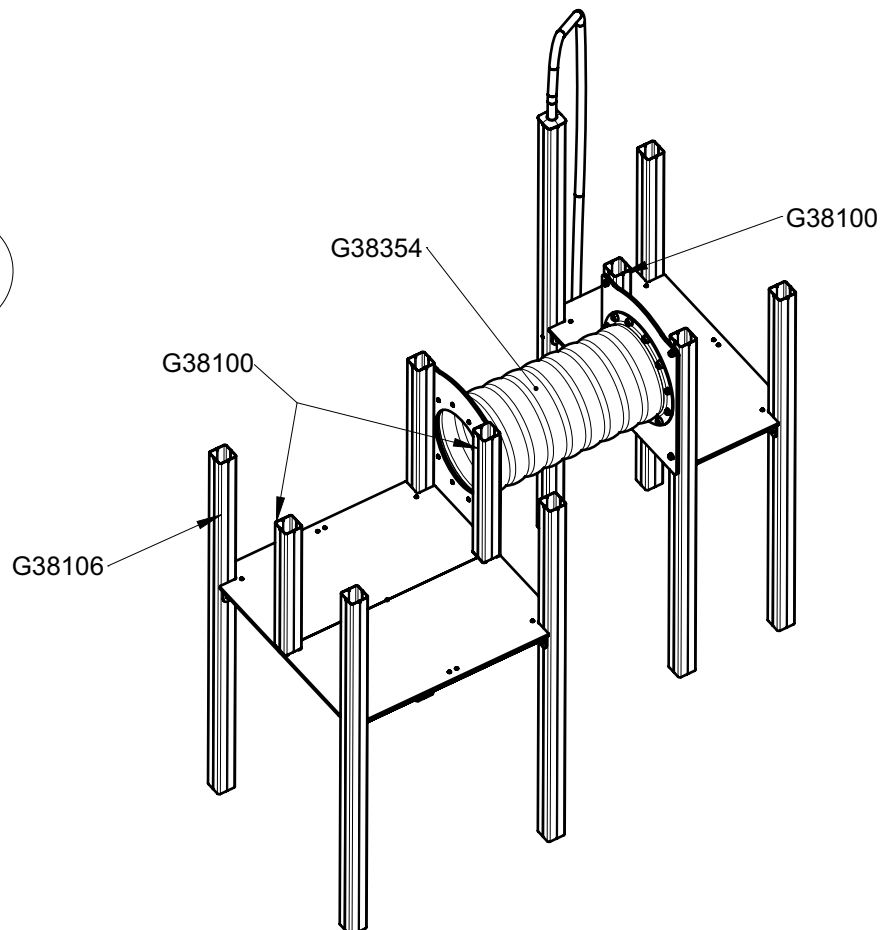


	x	y	z	w
	0.3	0.3	0.3	0.6
	0.4	0.4	0.3	0.6
	0.6	0.3	0.3	0.6

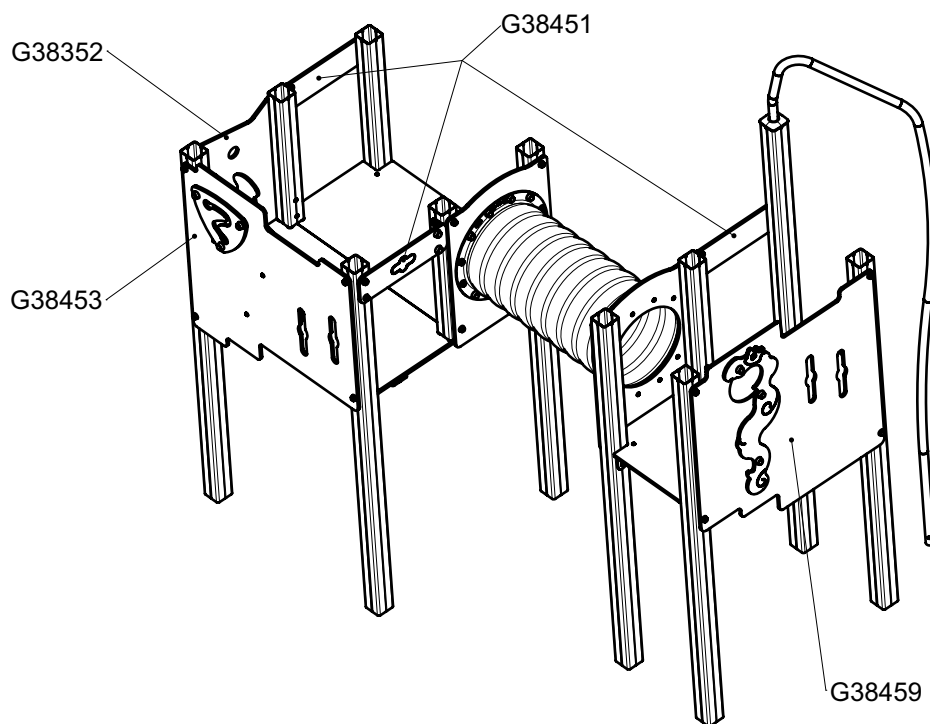
1



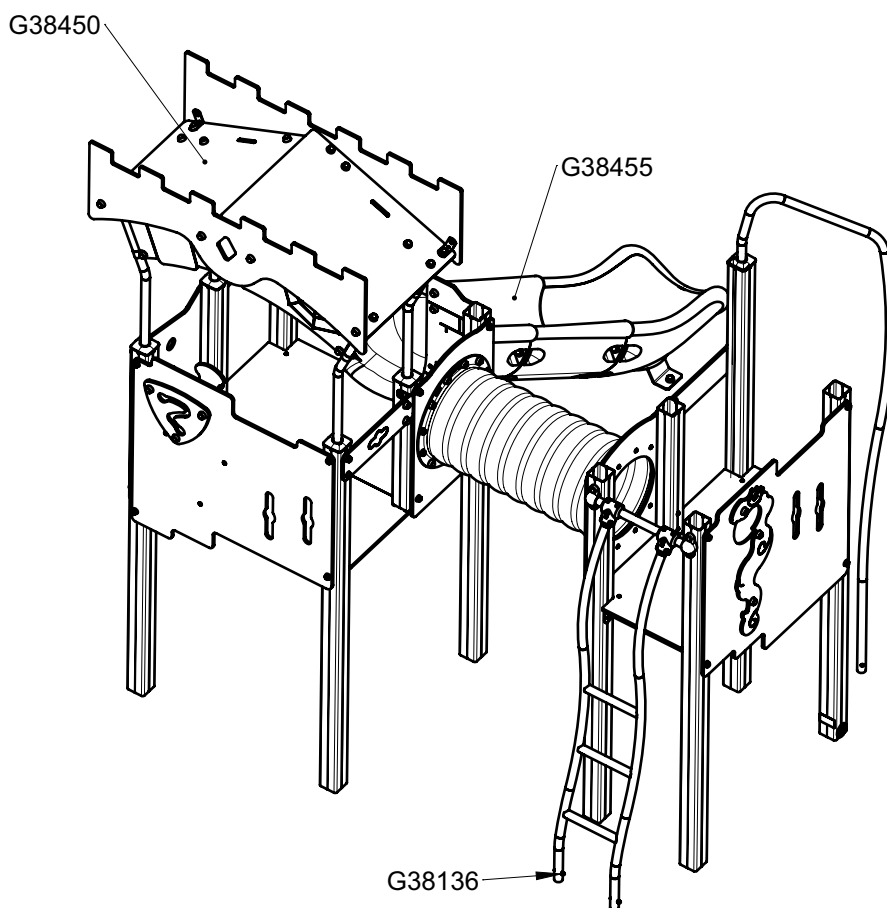
2

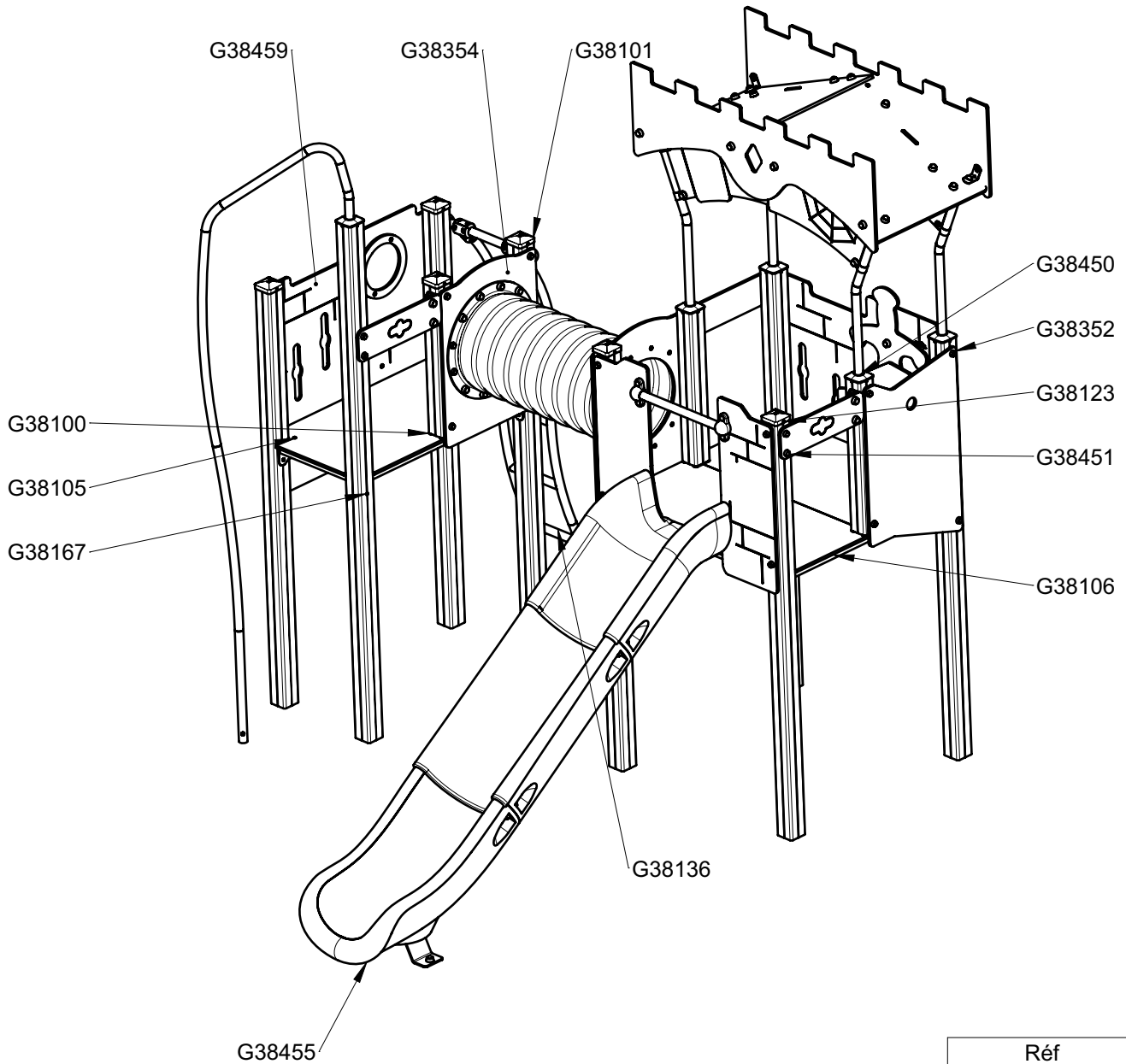


3

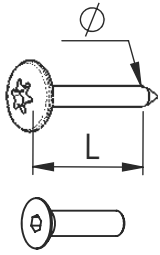


4



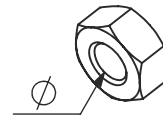


Réf	Qté
G38100	3
G38106	1
G38101	3
G38123	6
G38136	1
G38167	1
G38354	1
G38105	1
G38352	1
G38455	1
G38459	1
G38453	1
G38451	3
G38450	1

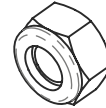


VBT 6 x 30
 \varnothing \uparrow L (mm)

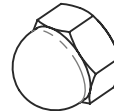
VFHC



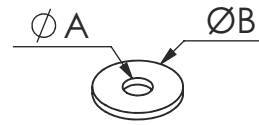
VEC M10
 \varnothing



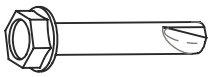
VEF



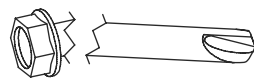
VEB



VR6x18
 $\varnothing A$ $\varnothing B$



VTHA

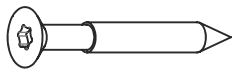


1000 - 1800 tr/min

Vitesse de rotation
 Rotation speed

14 N.m

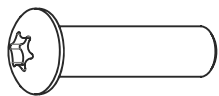
Couple de rupture
 Torque of break



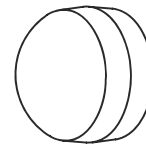
VWT



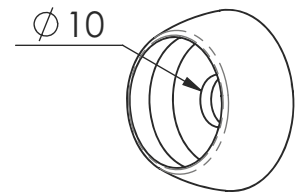
VGC



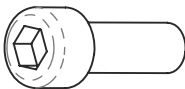
VCBHC



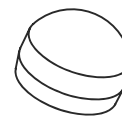
M10 440N



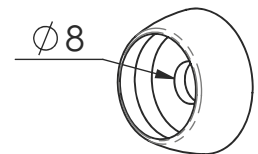
M10 310 N



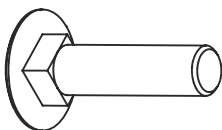
VBTR



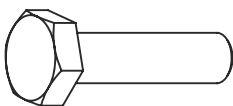
M8440N



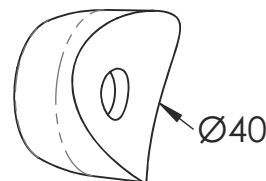
M8310N



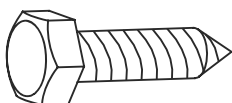
VTRCC



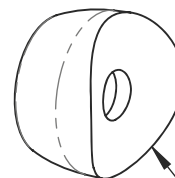
VTH



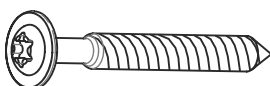
MI2503



VTF



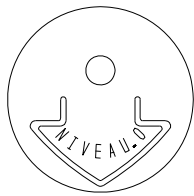
MI2701



VBT

A

Proludic



MI0002

VCBHCM10

M10310N
VEFM10
M10440N

LG08

M10440N
VEFM10
MI2503

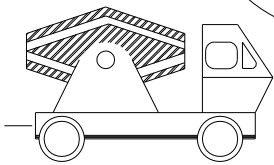
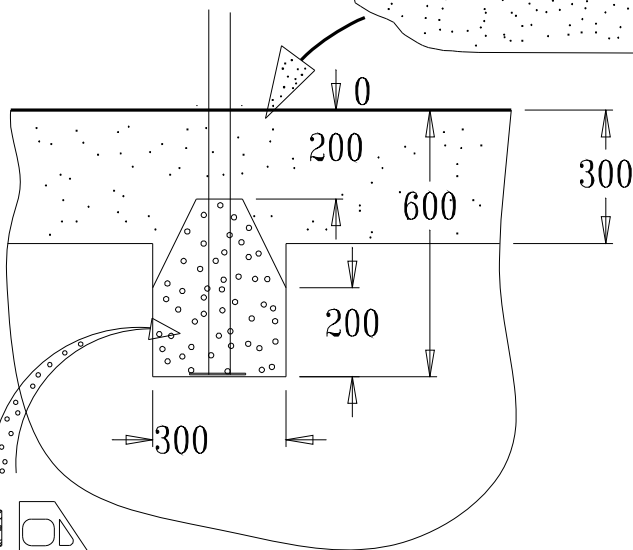
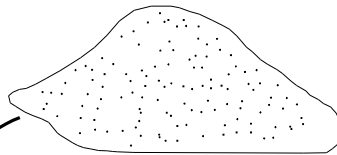
LG3802

M10440N
VTH10*80
MI2503

LG3804



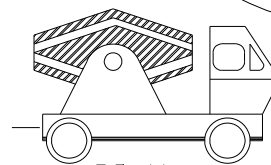
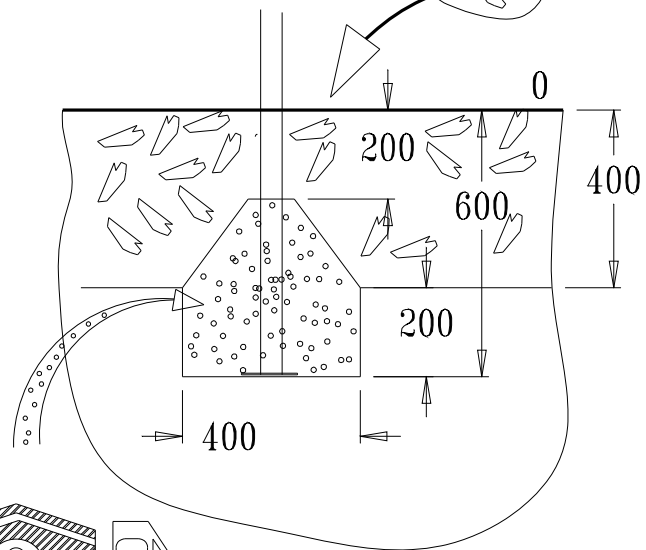
> 1500 Kgs/M³



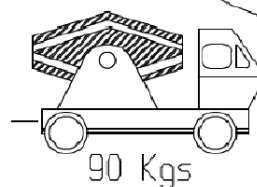
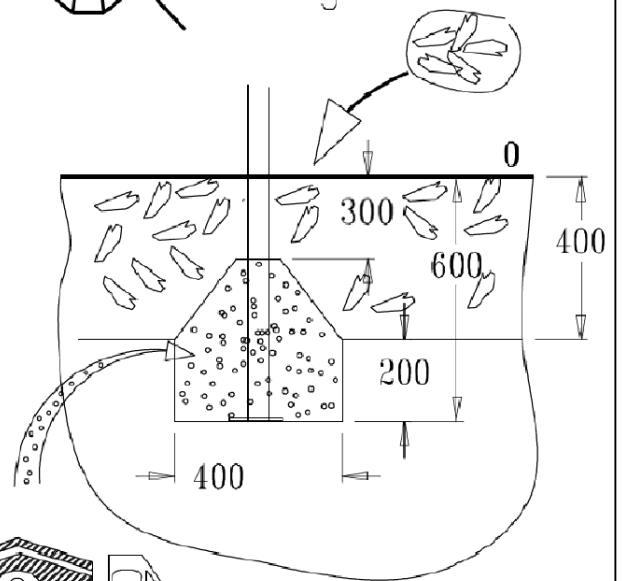
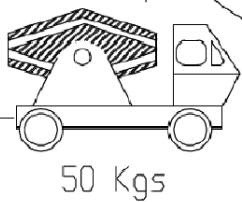
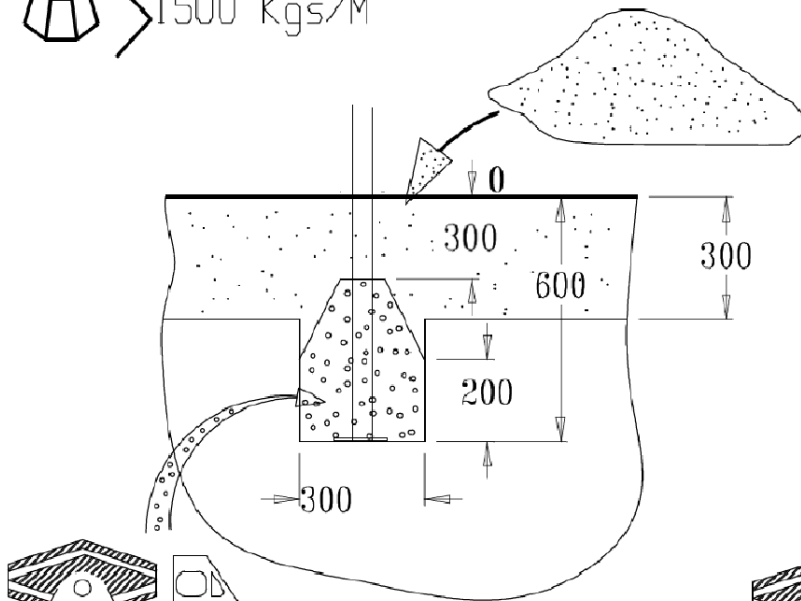
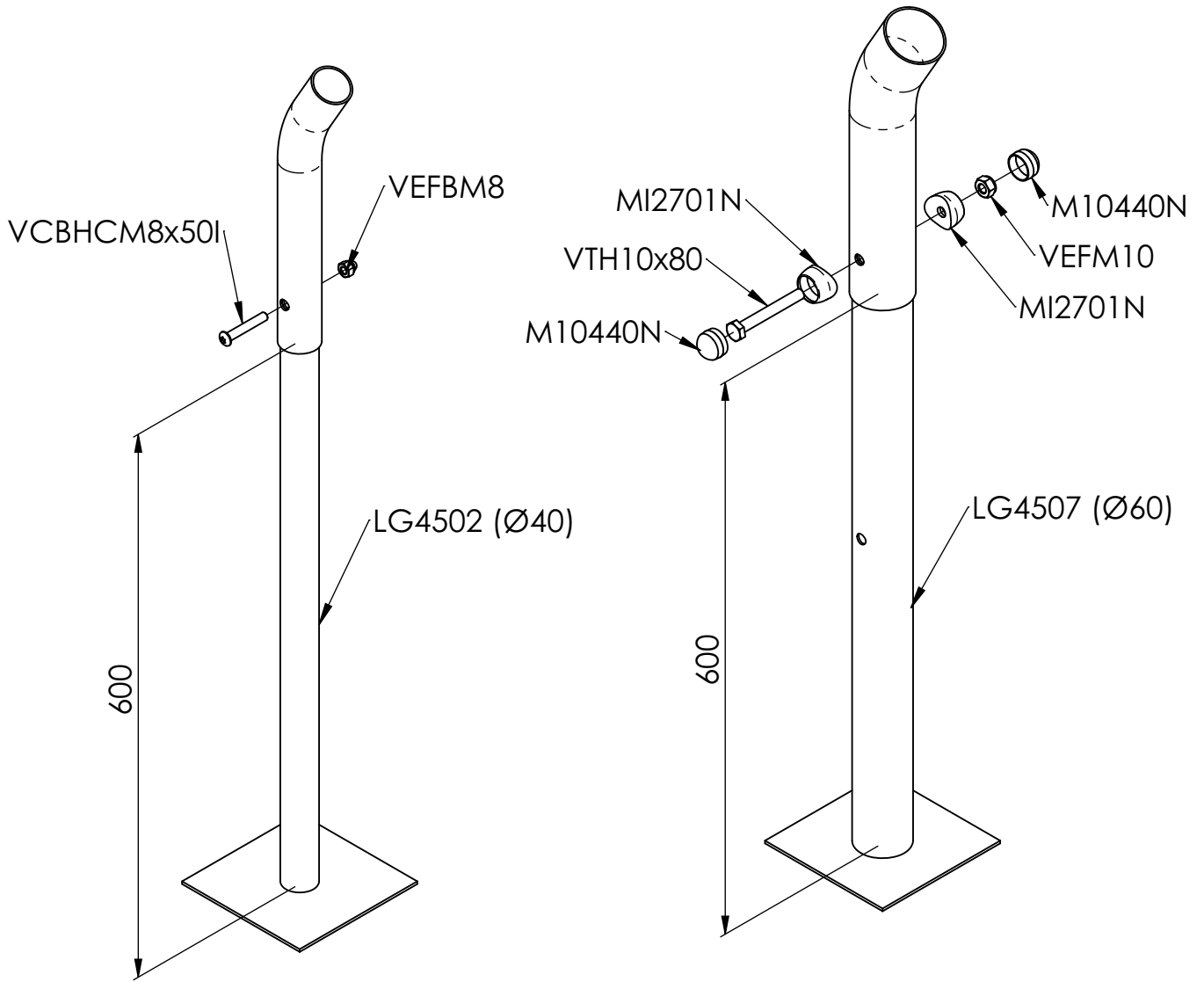
50 Kgs

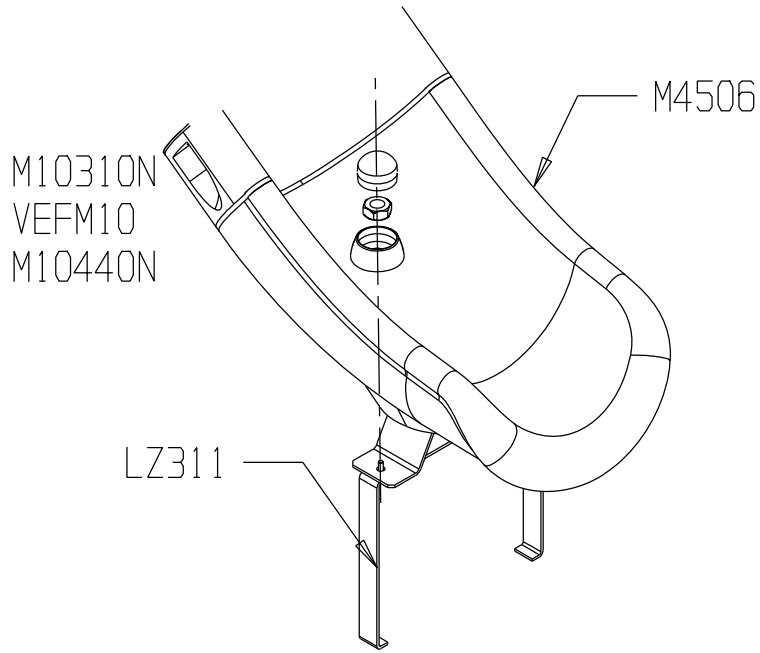


< 1500 Kgs/M³

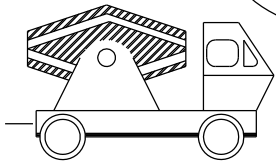
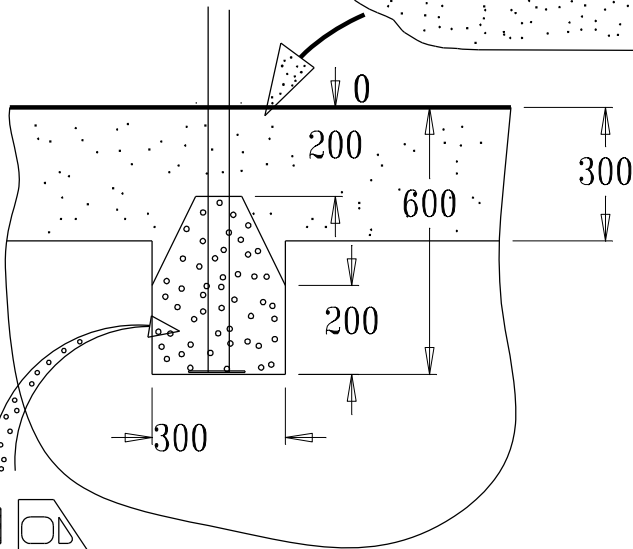
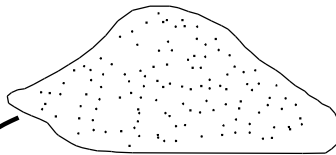


90 Kgs





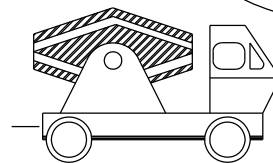
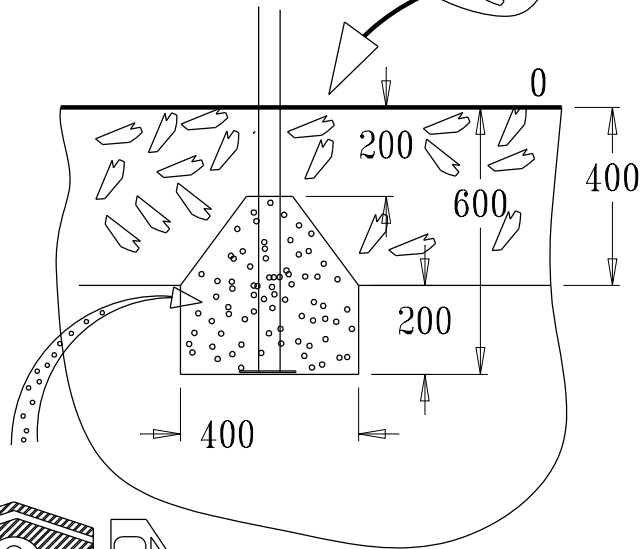
> 1500 Kgs/M³



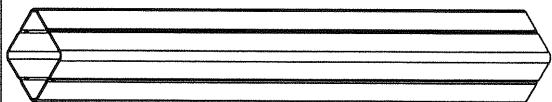
50 Kgs



< 1500 Kgs/M³



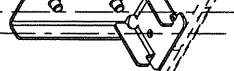
90 Kgs



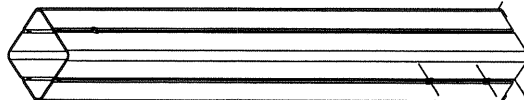
1



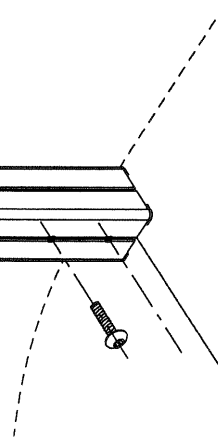
VCBHC8*30I
X2



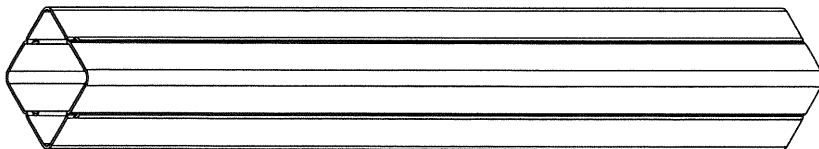
2



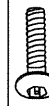
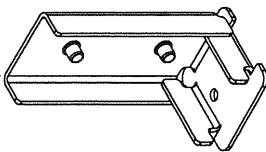
VCBHC10*30I
X2



LGP3834

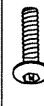


LG3812



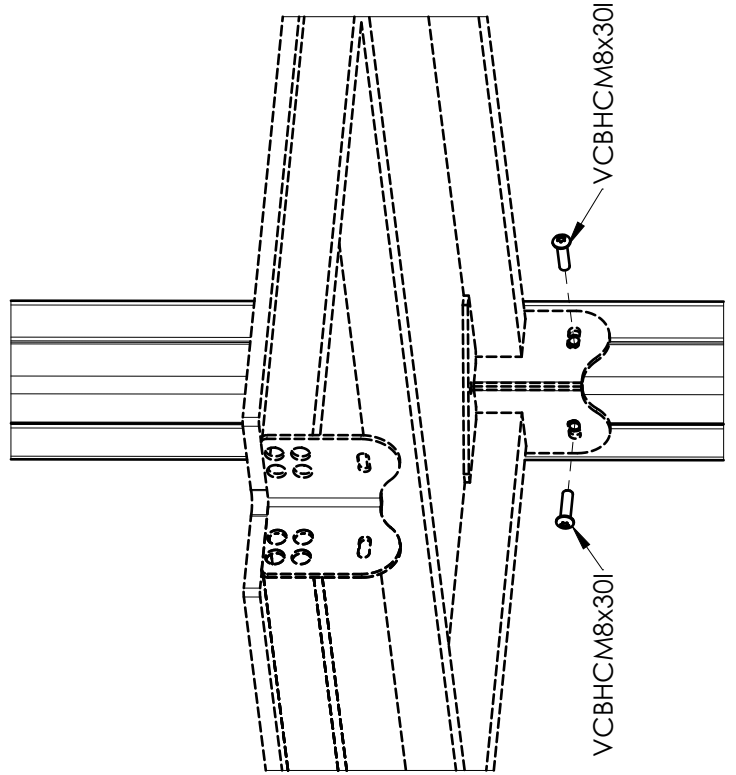
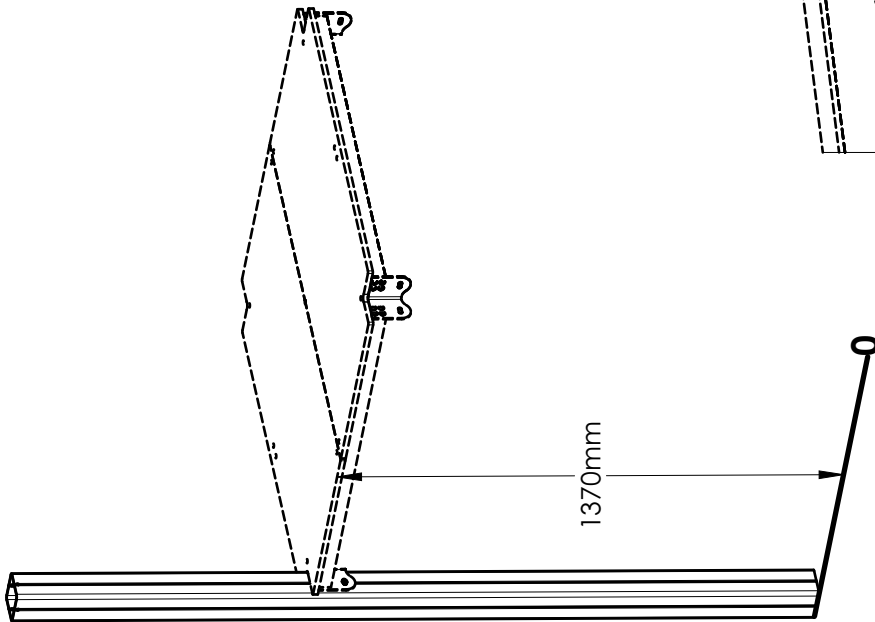
VCBHC10X30I

2

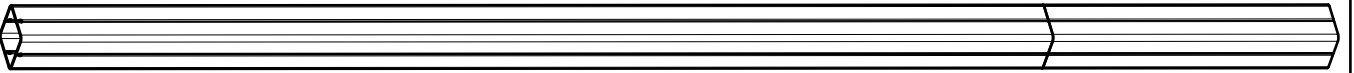


VCBHC8X30I

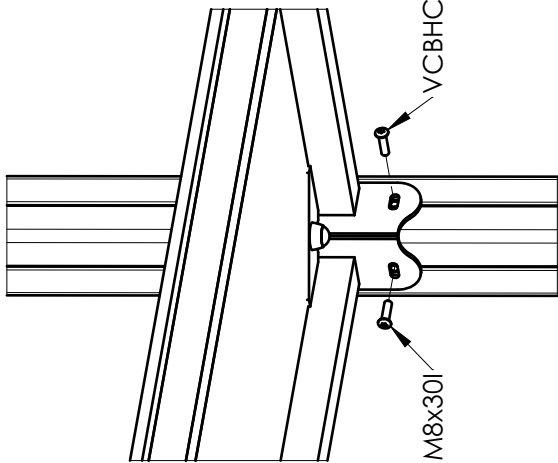
2



U3849A

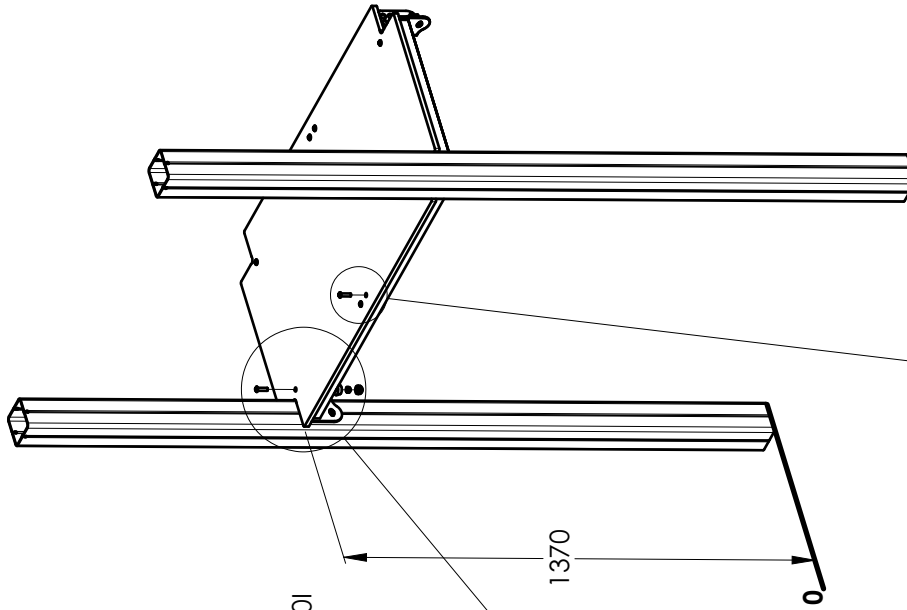


Réf	Qté
VCBHCM8x30I	2
U3849A	1



VCBHCM8x30I

VCBHCM8x30I



1370

0

VCBHCM8x30I

VCBHCM8x30I

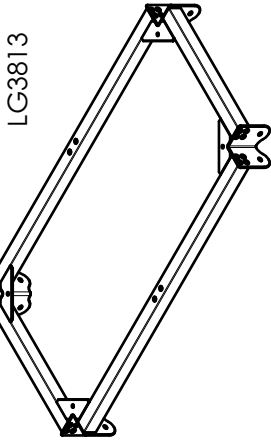
M8310N

VEFM8

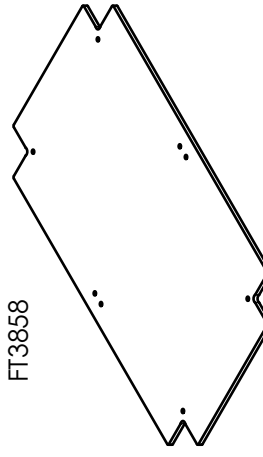
M8440N

VCBHCM8x30I

U3849A



LG3813



FT3858

Réf	Qté
FT3858	1
LG3813	1
M8310N	4
M8440N	4
U3849A	2
VCBHCM8x30I	16
VEFM8	4

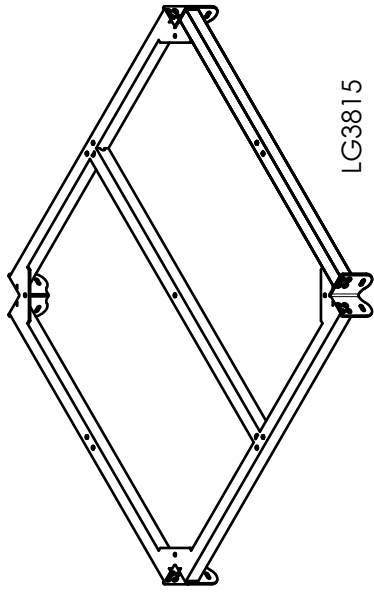
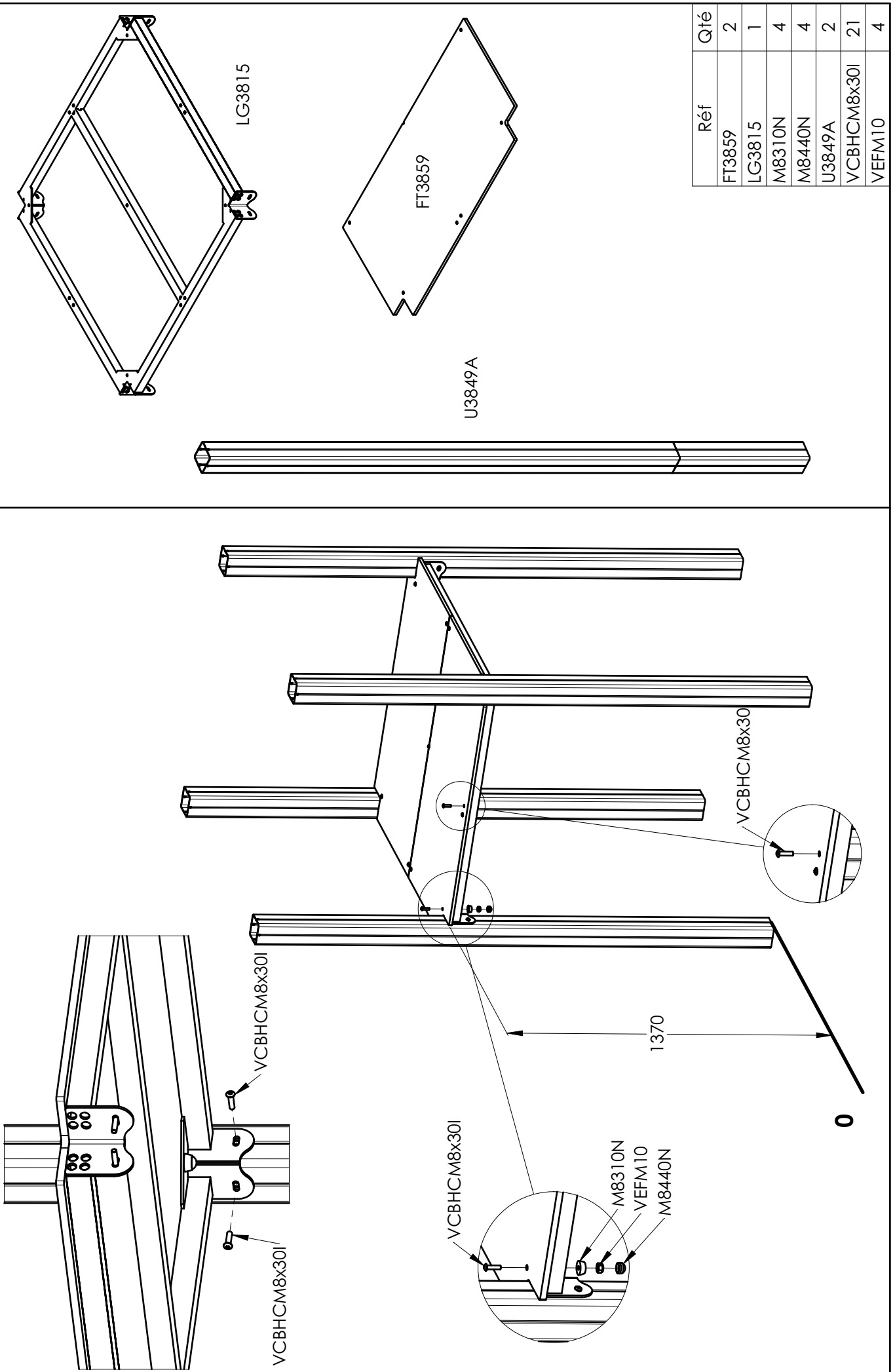
G38106A

HT 1370mm

1 / 1

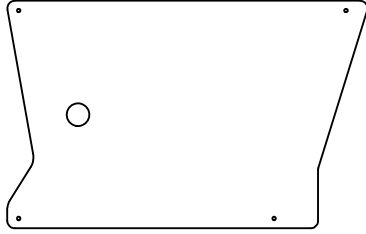
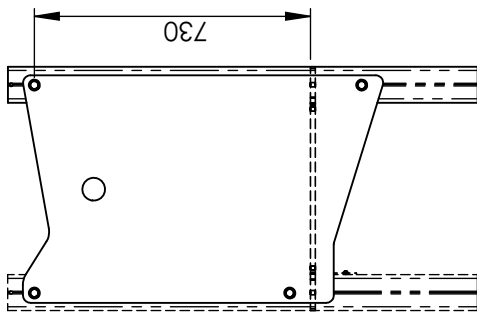
01/10/2017

Procluc

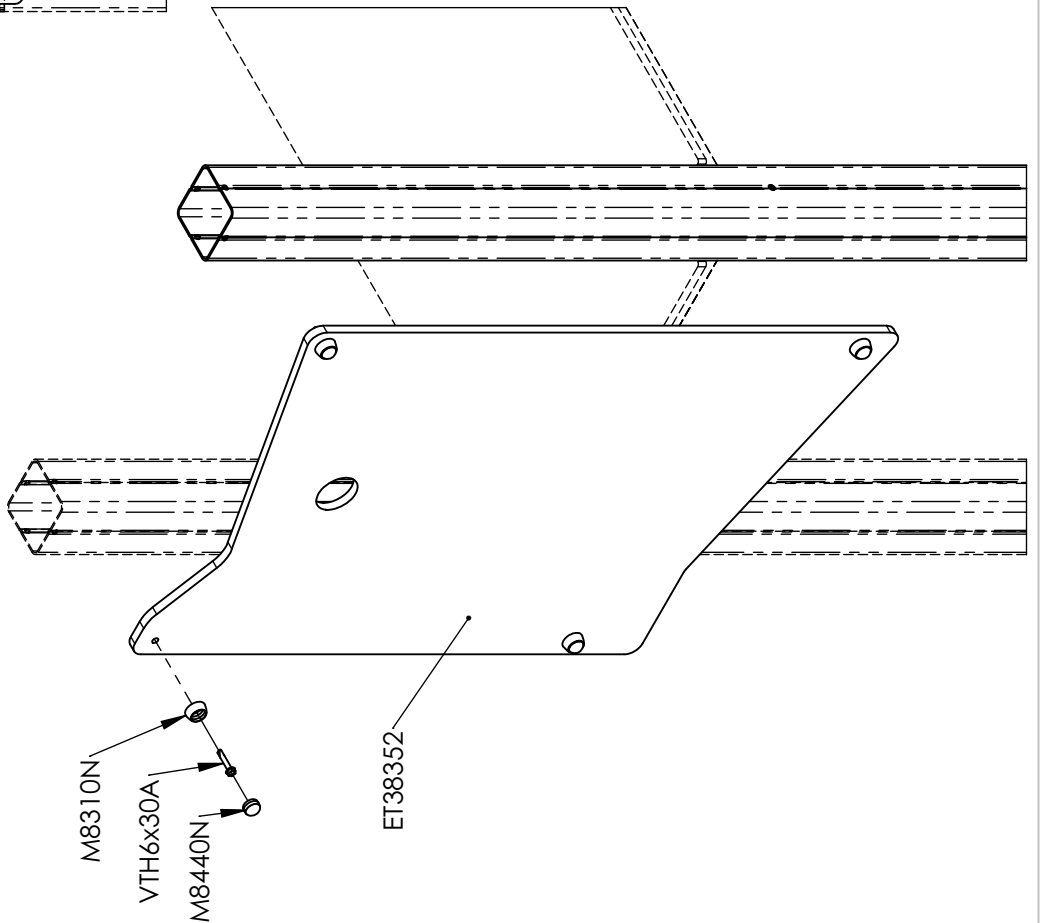


U3849A

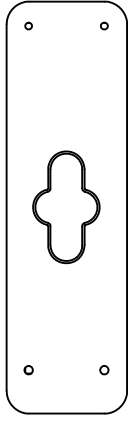
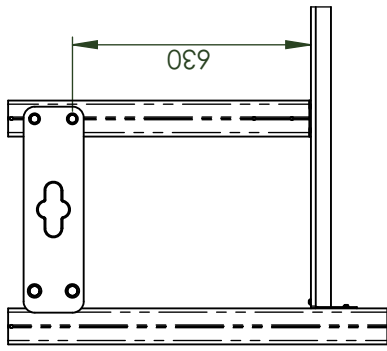
Réf	Qté
FT3859	2
LG3815	1
M8310N	4
M8440N	4
U3849A	2
VCBCMC8x30I	21
VEFM10	4



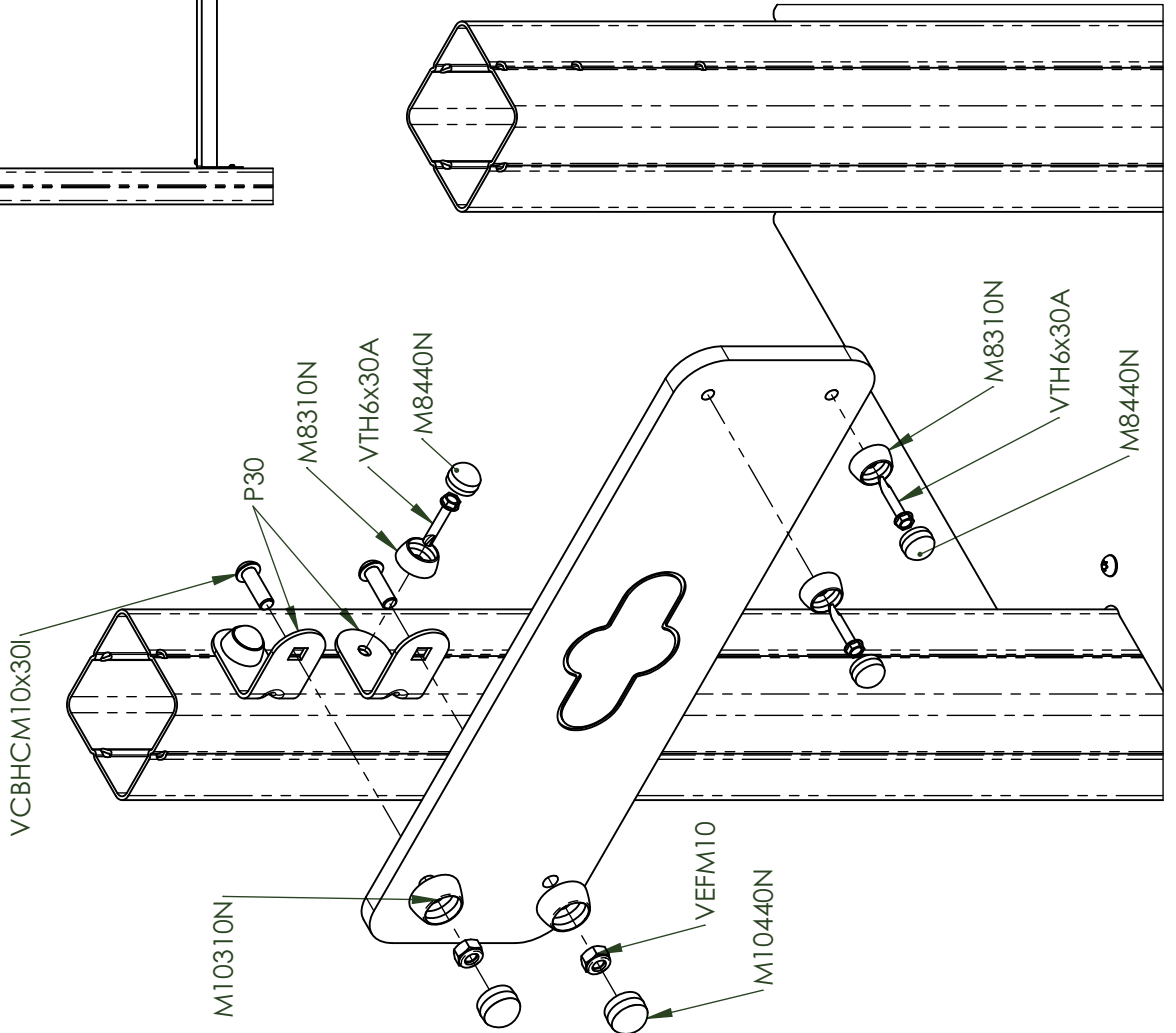
ET38352



Réf	Qté
ET38352PL	1
M8310N	4
M8440N	4
VTH6x30A	4



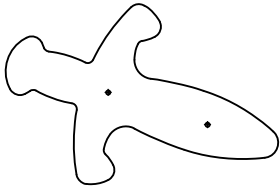
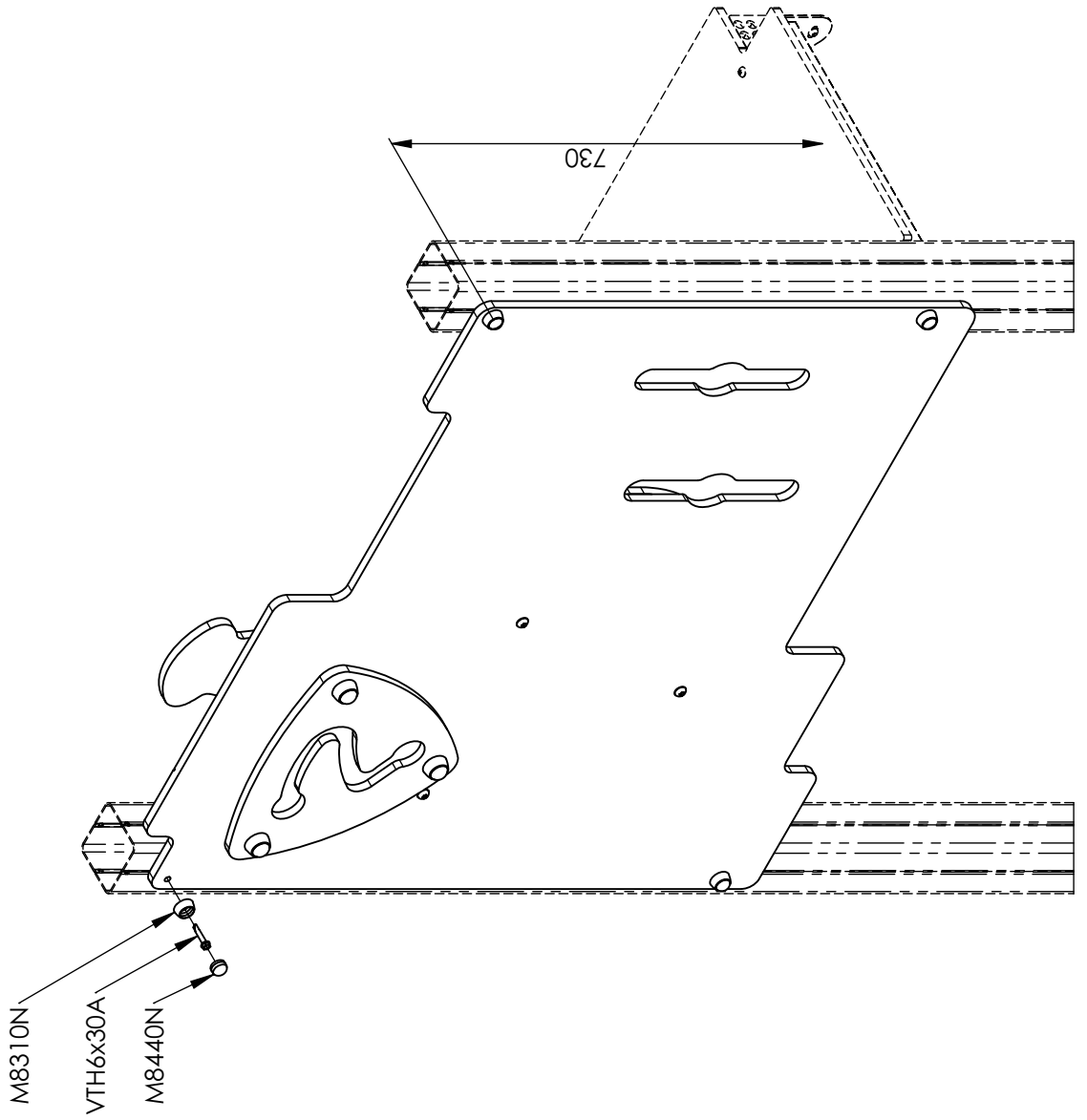
ET38450



P30



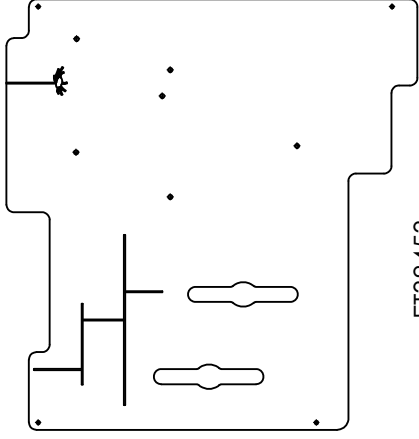
Réf	Qté
ET38450J	1
M8310N	4
M8440N	4
M10310N	2
M10440N	2
P30	2
VCBHC10x30I	2
VEFM10	2
VTH6x30A	4



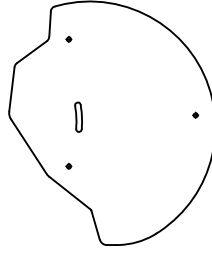
EP4741J



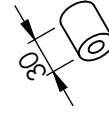
ET38406



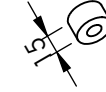
ET38453



ET38414



MU3908



MU4700

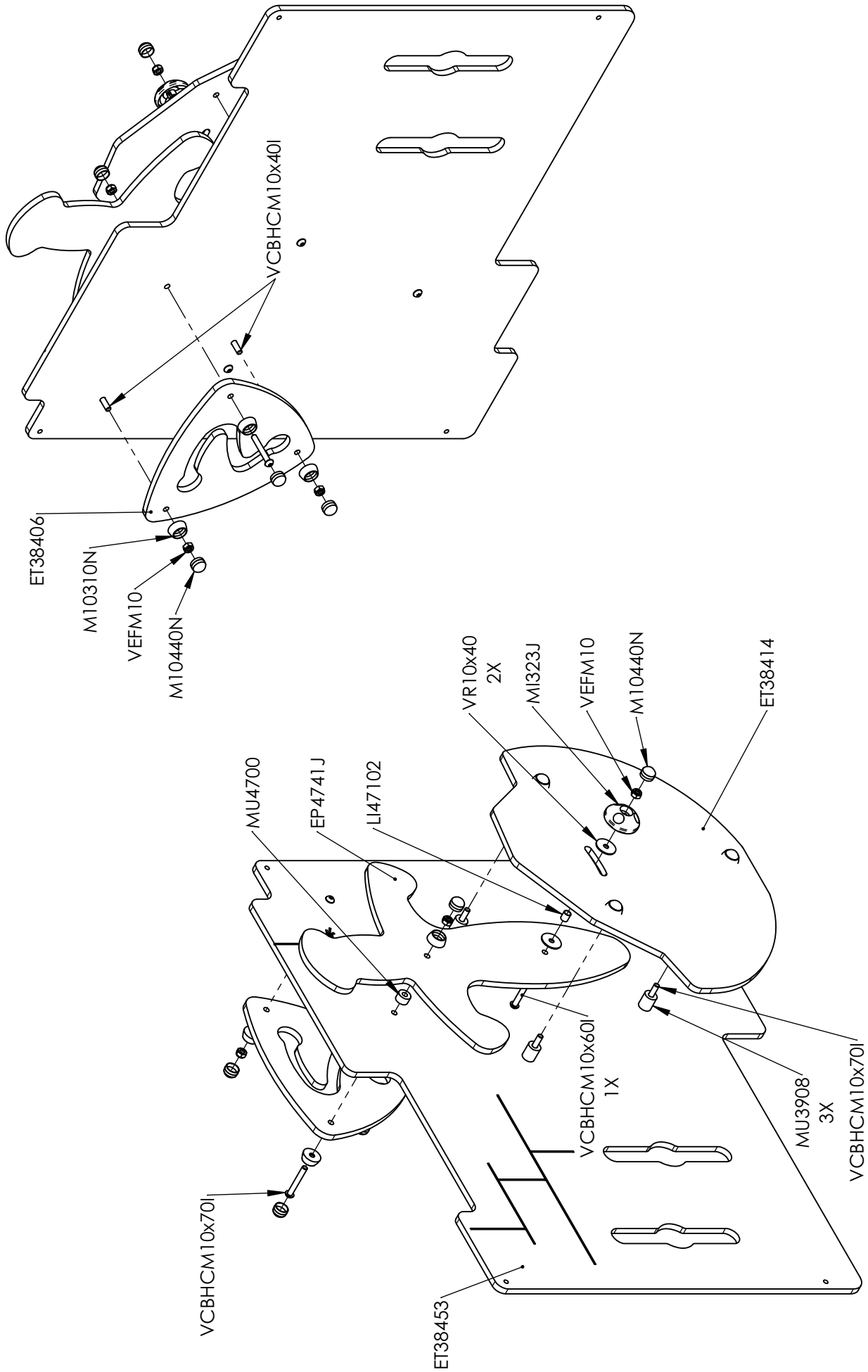


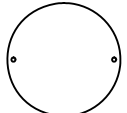
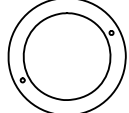
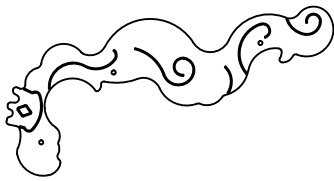
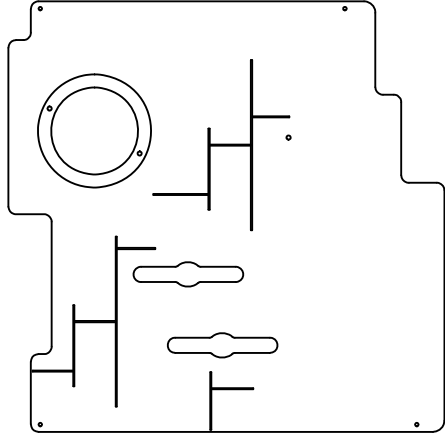
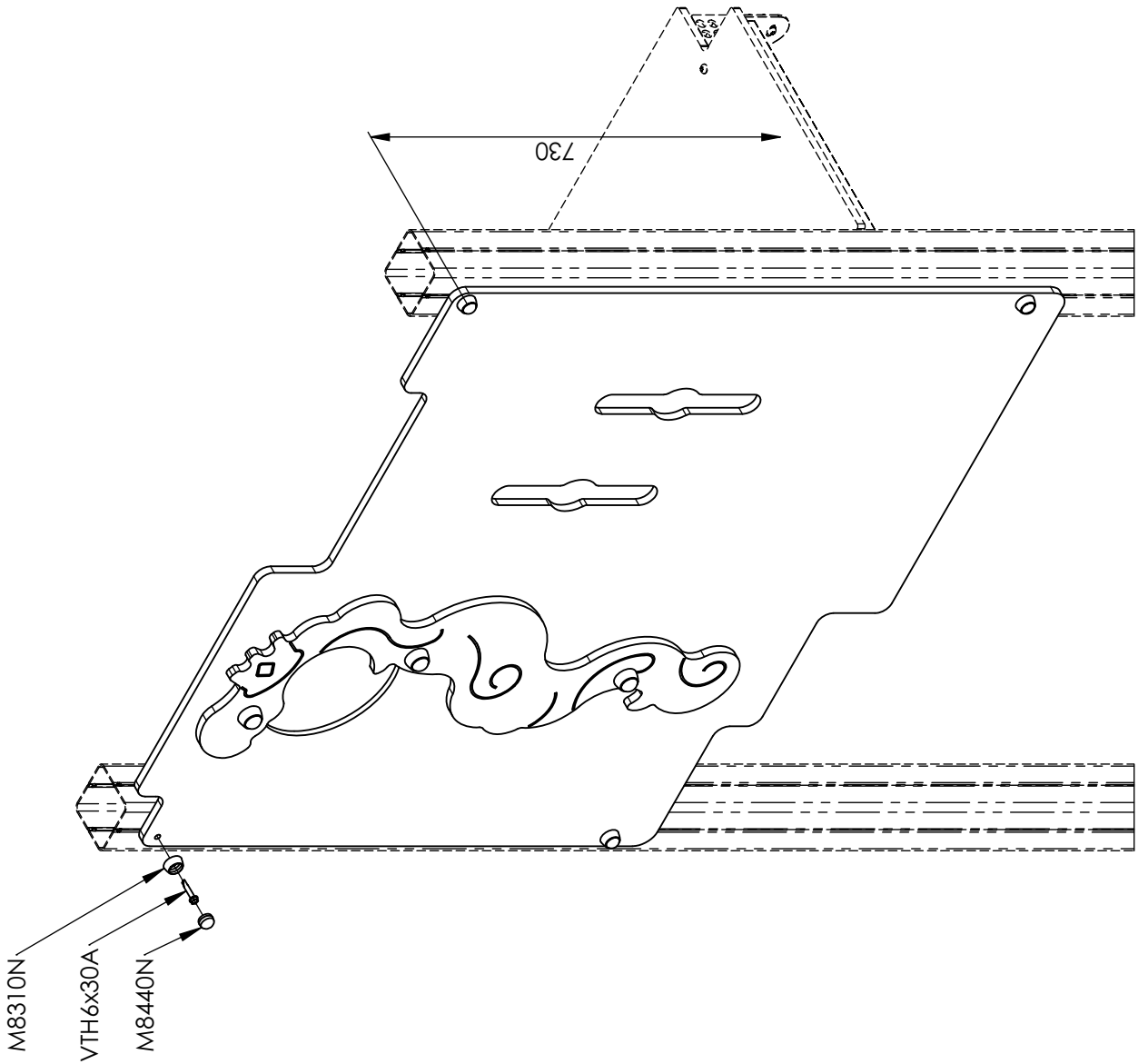
LI47102



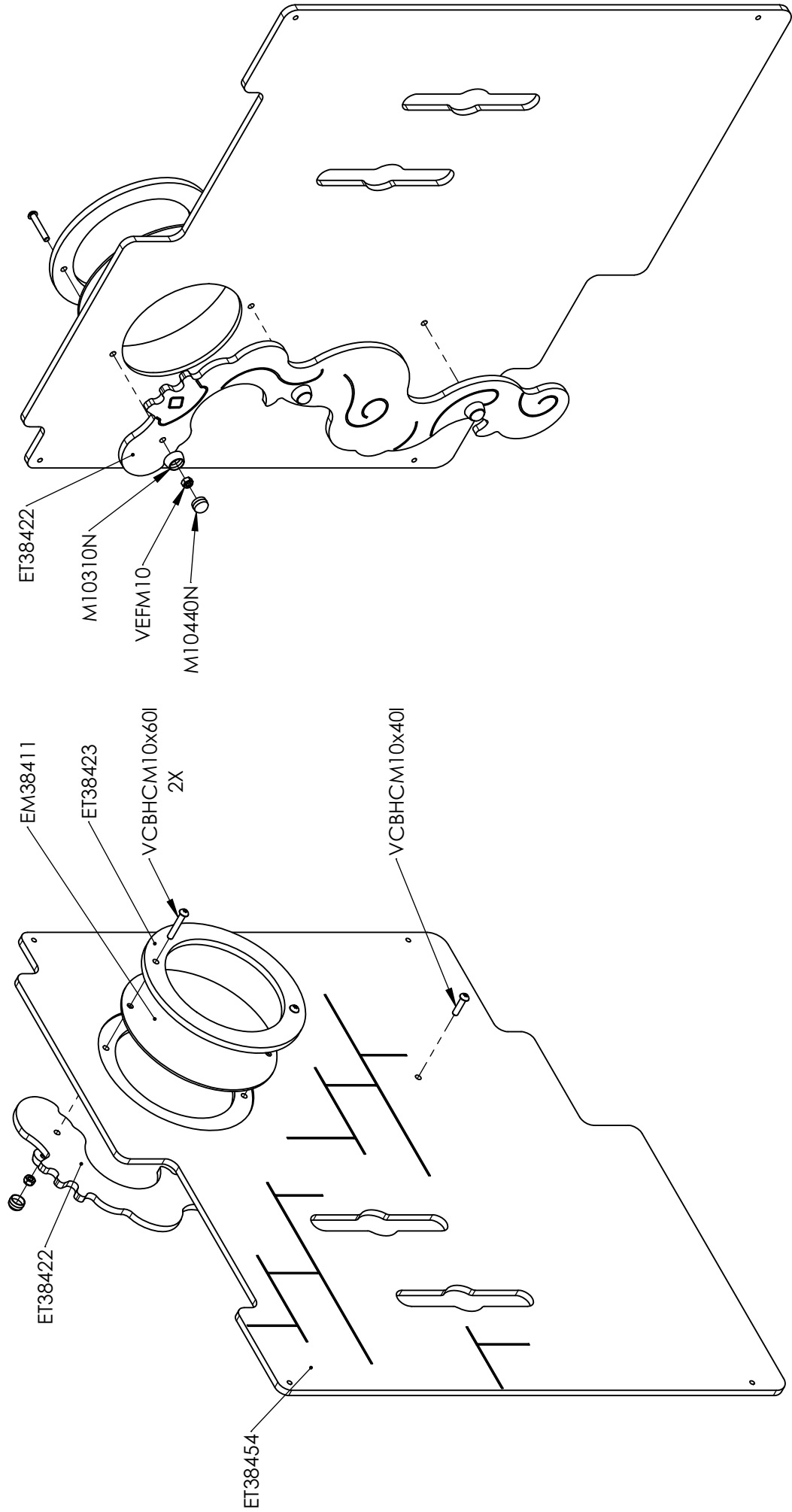
MI323J

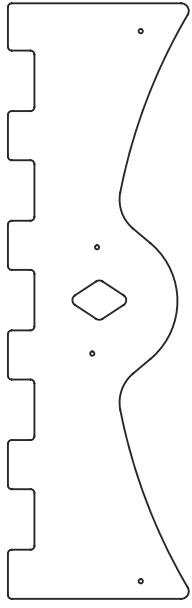
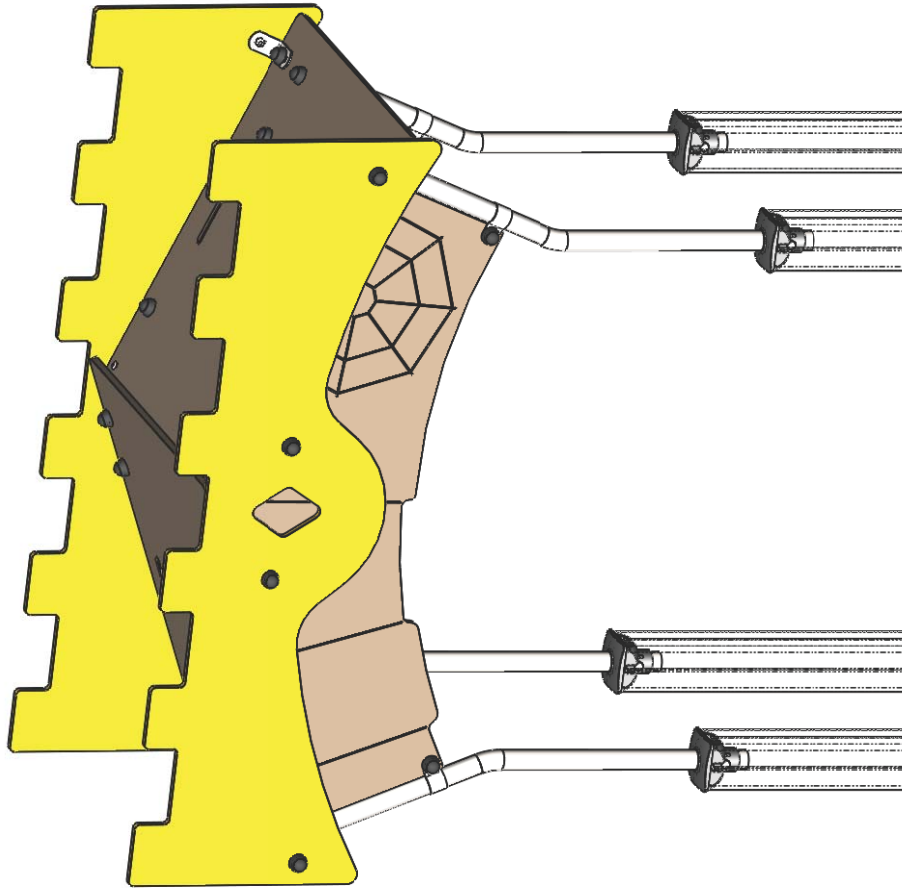
Réf	Qté
EP4741J	1
ET38406J	1
ET38414PL	1
ET38453PL	1
LI47102	1
M8310N	4
M8440N	4
M10310N	7
M10440N	8
MI323J	1
MU3908	3
MU4700	1
VCBHC10x40I	2
VCBHC10x60I	1
VCBHC10x70I	4
VEFM10	7
VR10x40	2
VTH6x30A	4



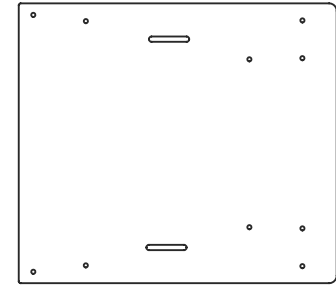


Réf	Qté
EM38411	1
ET38422J	1
ET38423PL	1
ET38454PL	1
M8310N	4
M8440N	4
M10310N	3
M10440N	3
VCBHC10x40I	1
VCBHC10x60I	2
VEFM10	3
VTH6x30A	4

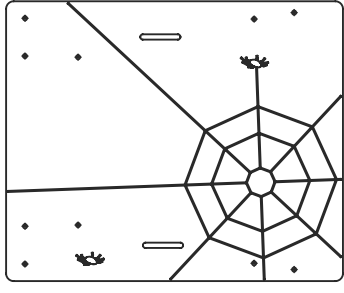




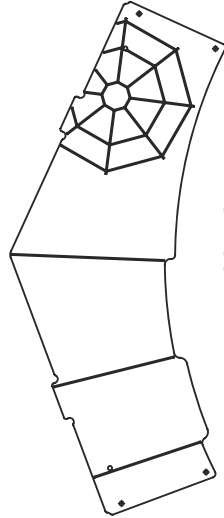
ET38459



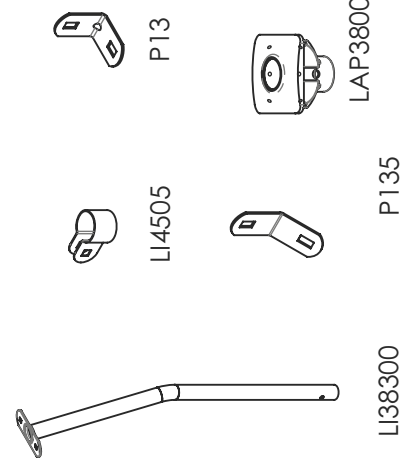
ET38457



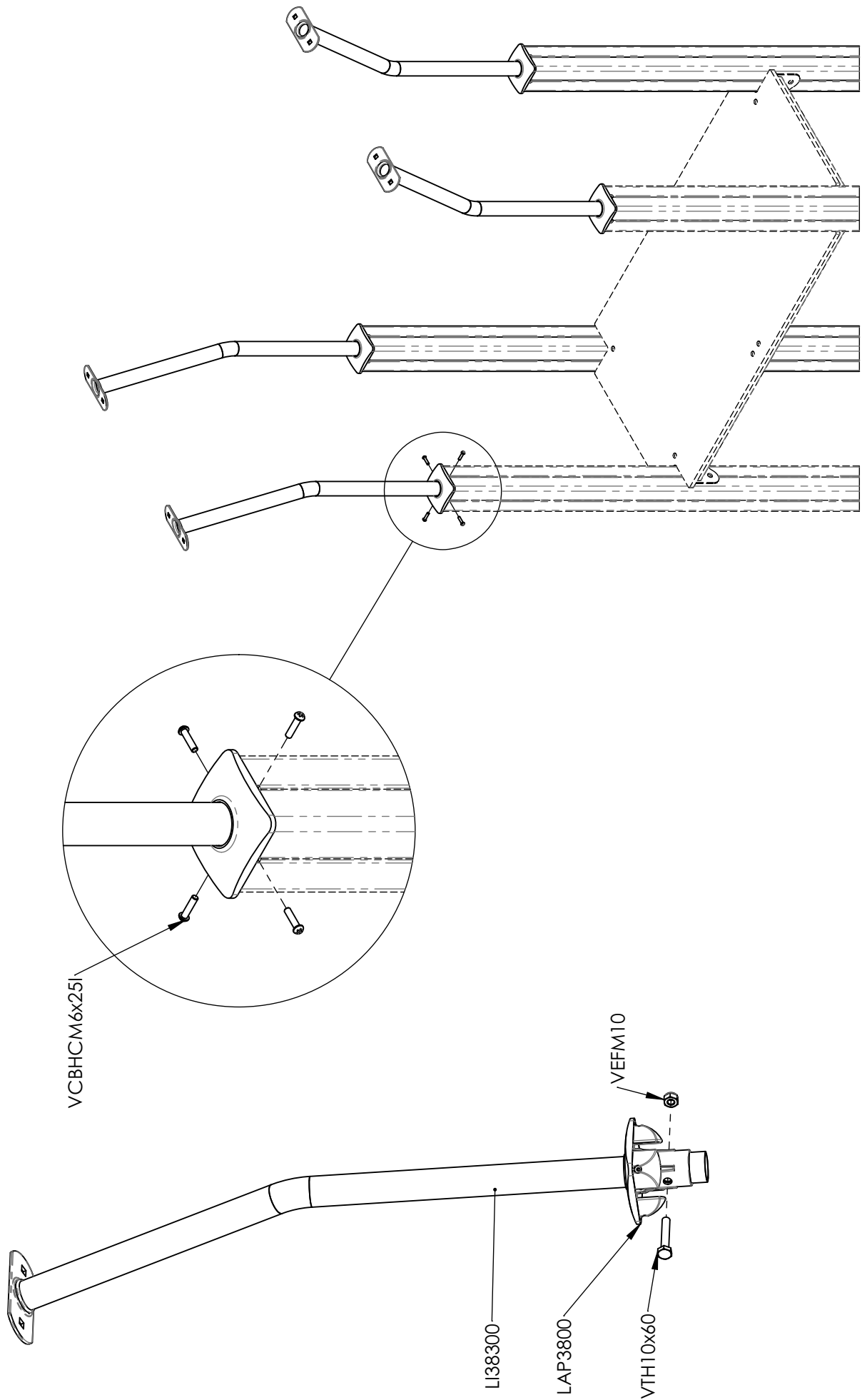
ET38458

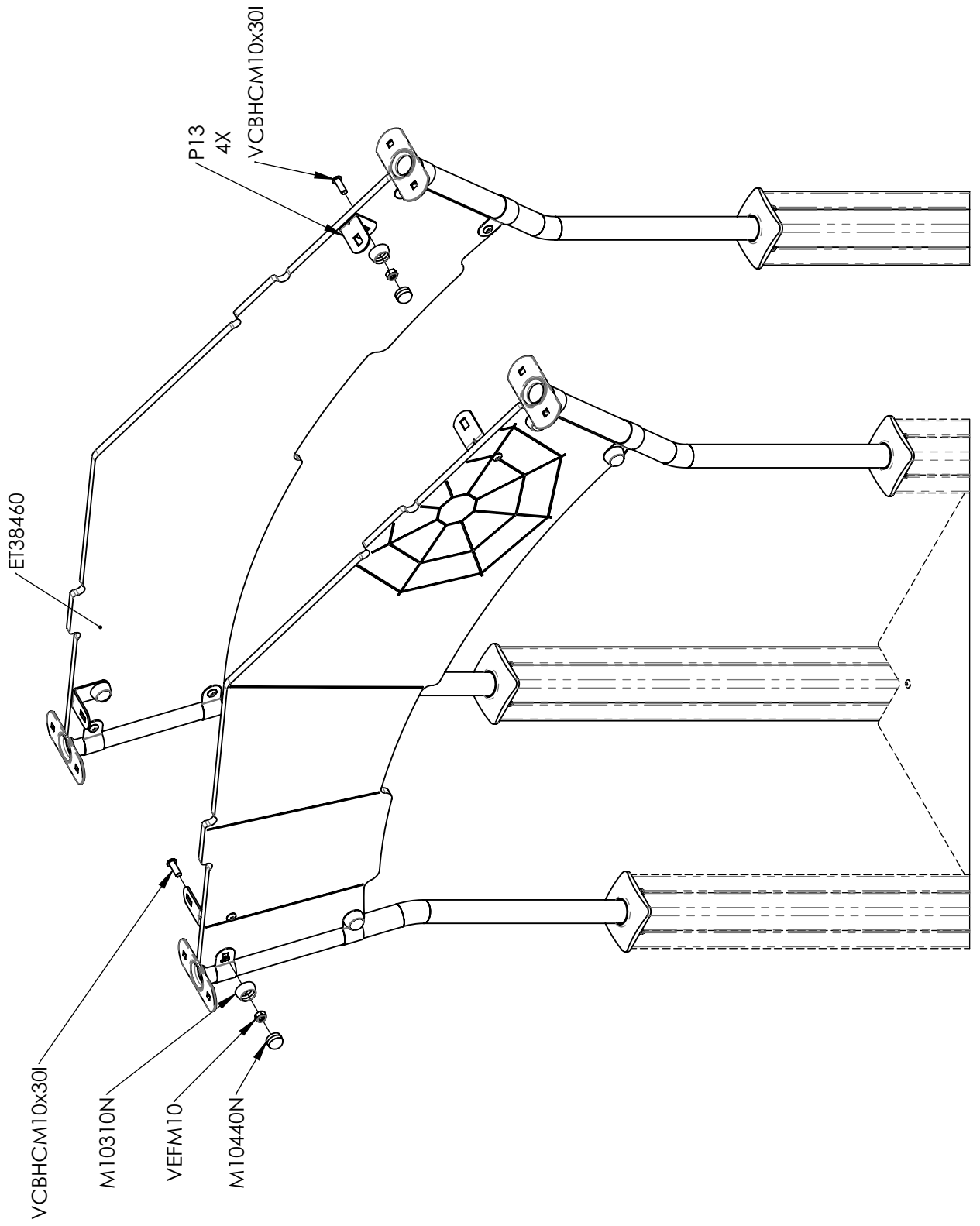


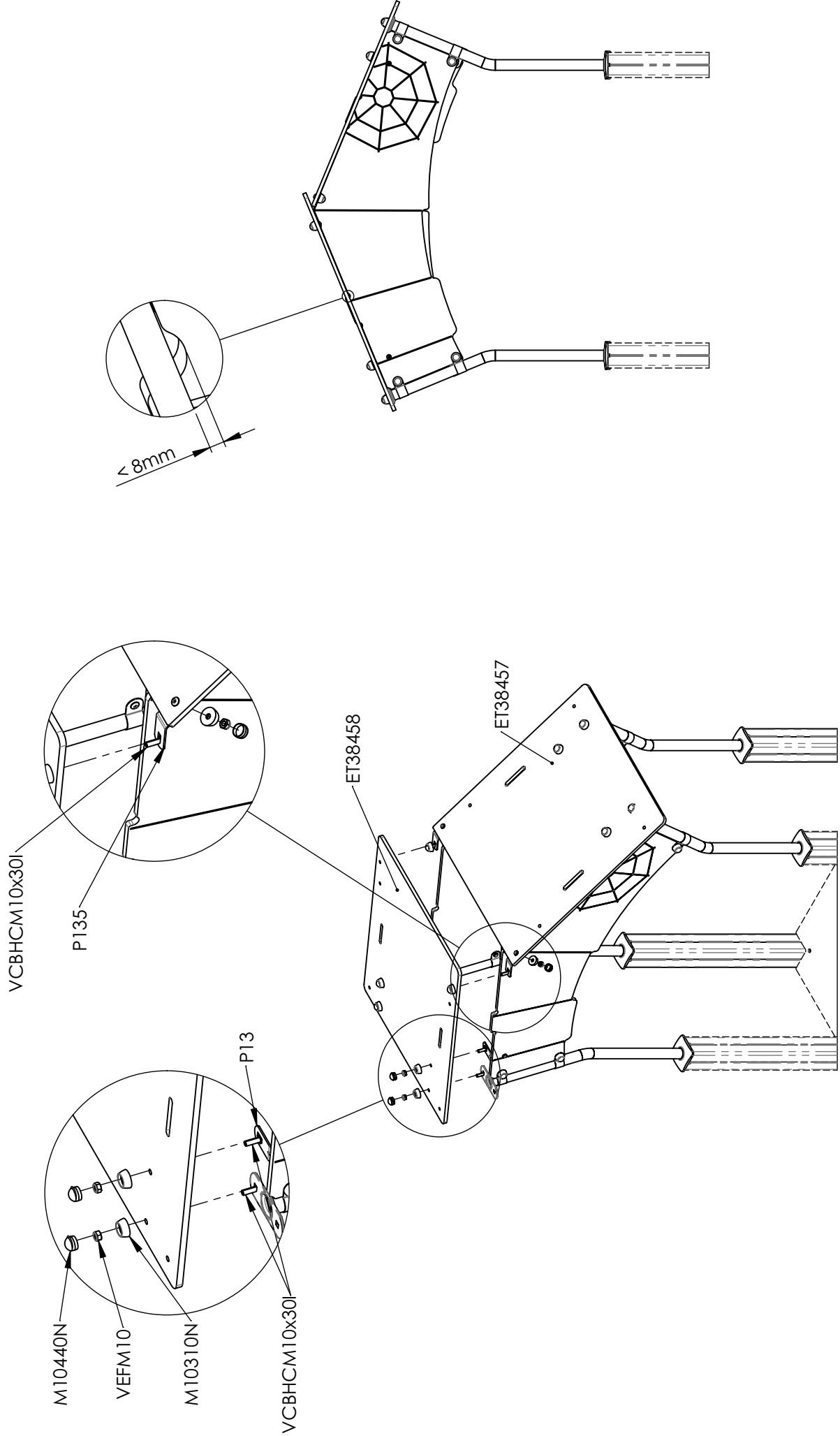
ET38460

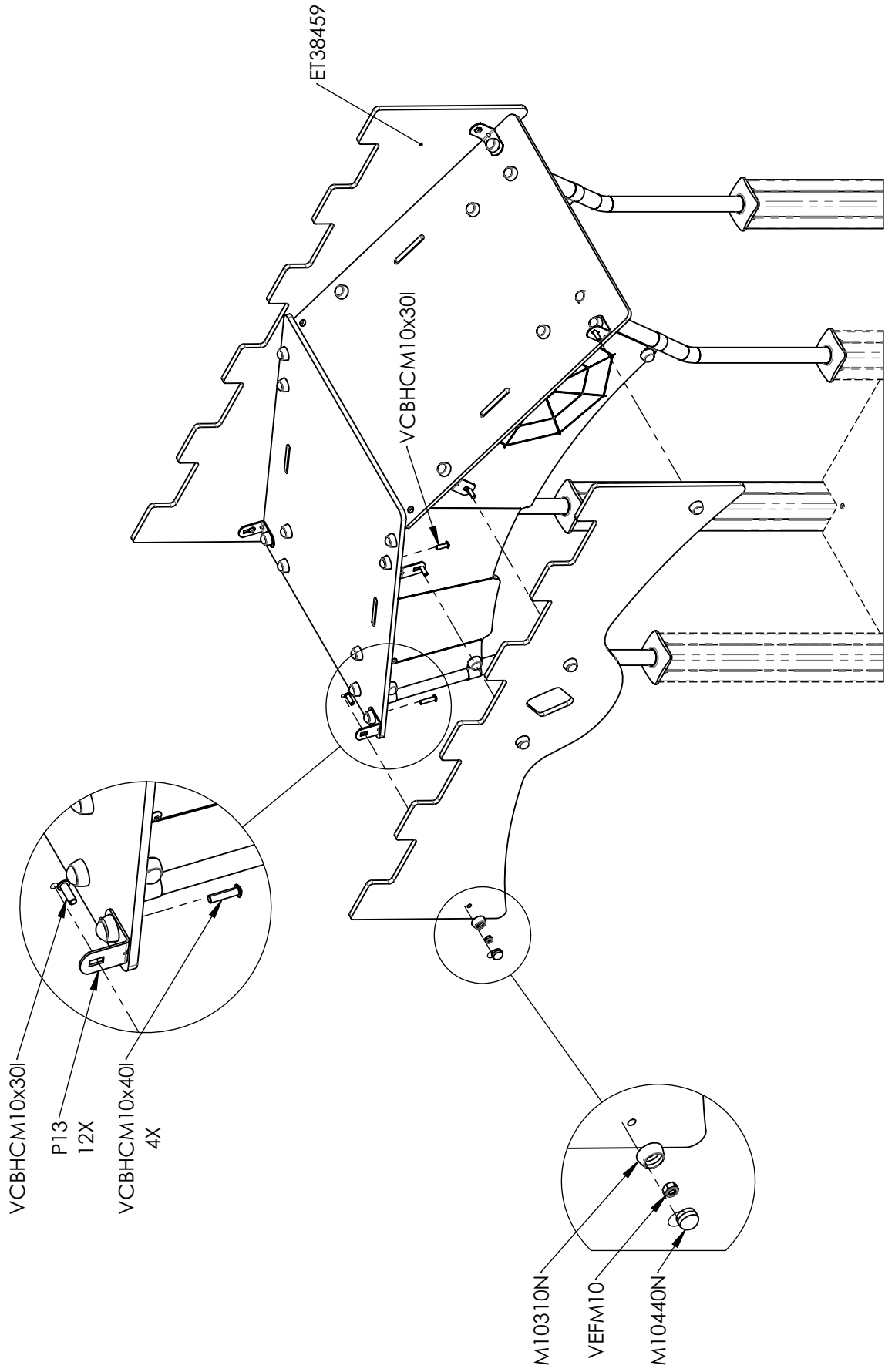


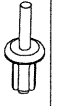
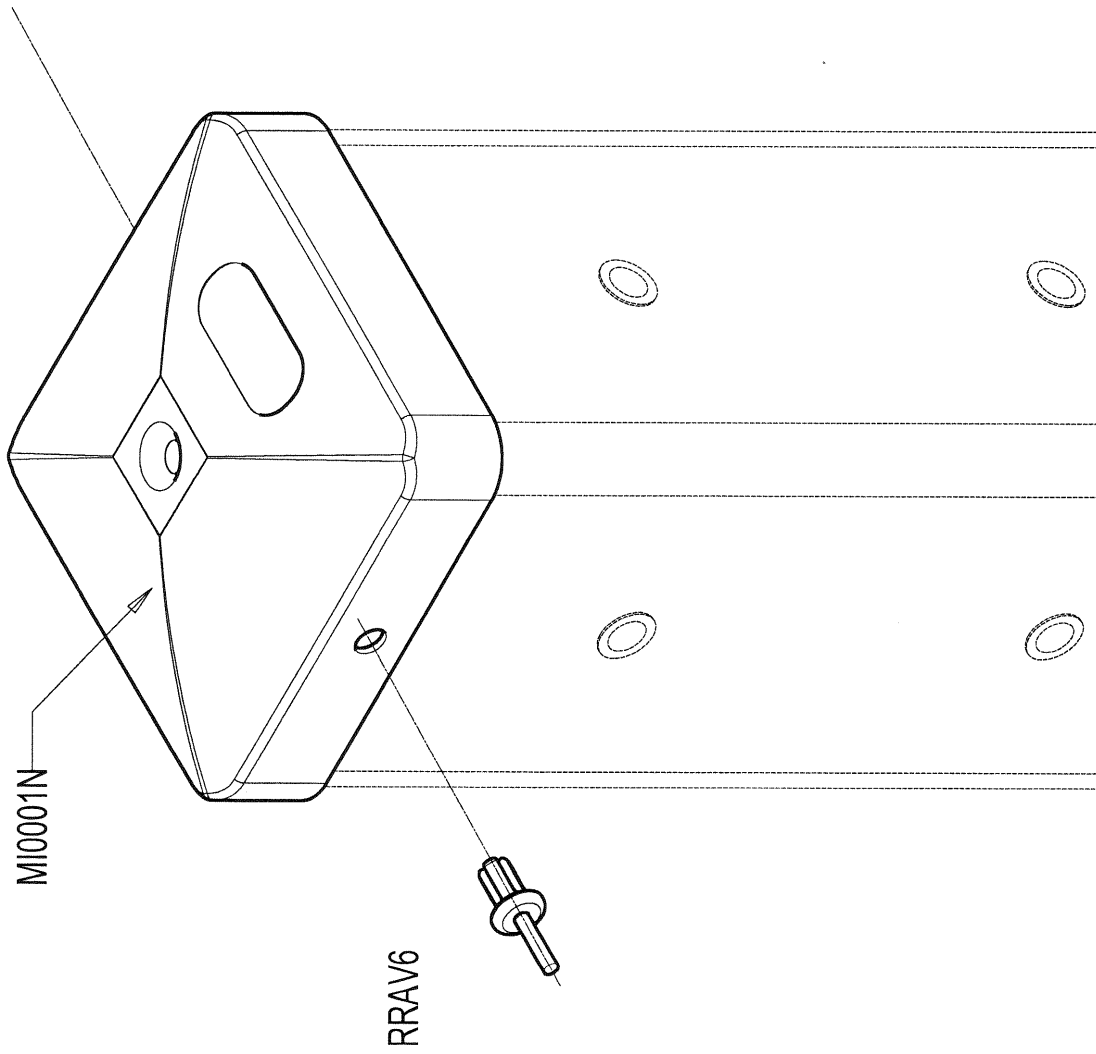
Réf	Qté
ET38457PL	1
ET38458PL	1
ET38459J	2
ET38460PL	2
LAP3800	4
LI38300	4
M10310N	40
M10440N	40
P13	12
P135	2
VCBHCM6x25I	16
VCBHCM10x30I	36
VCBHCM10x40I	4
VEFM10	44
VTH10x60	4
LI4505	8





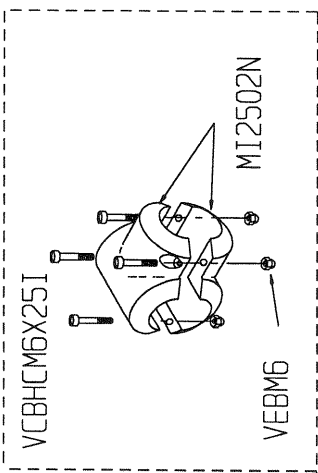






RRAV6

2

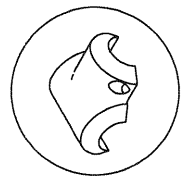
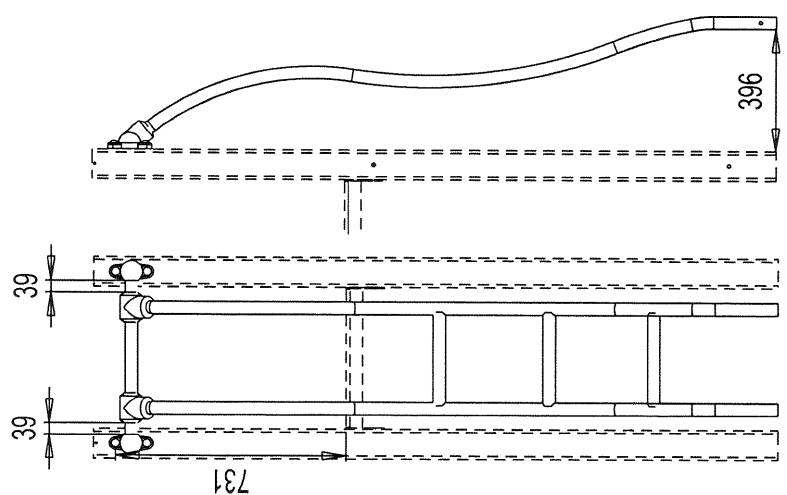
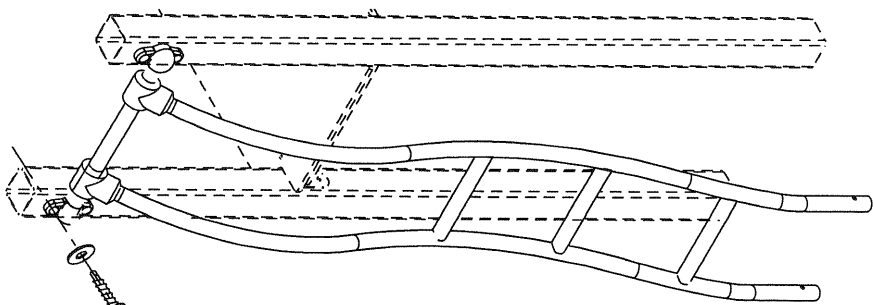


VCBHCM6X25I

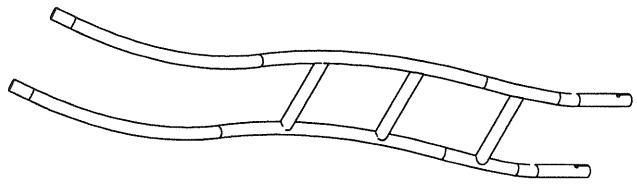
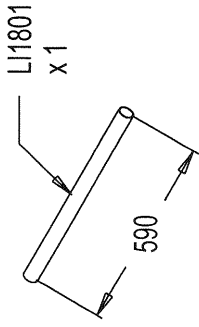
MI2502N

VEBM6

VR6*18
VTH6*30A
M10440N

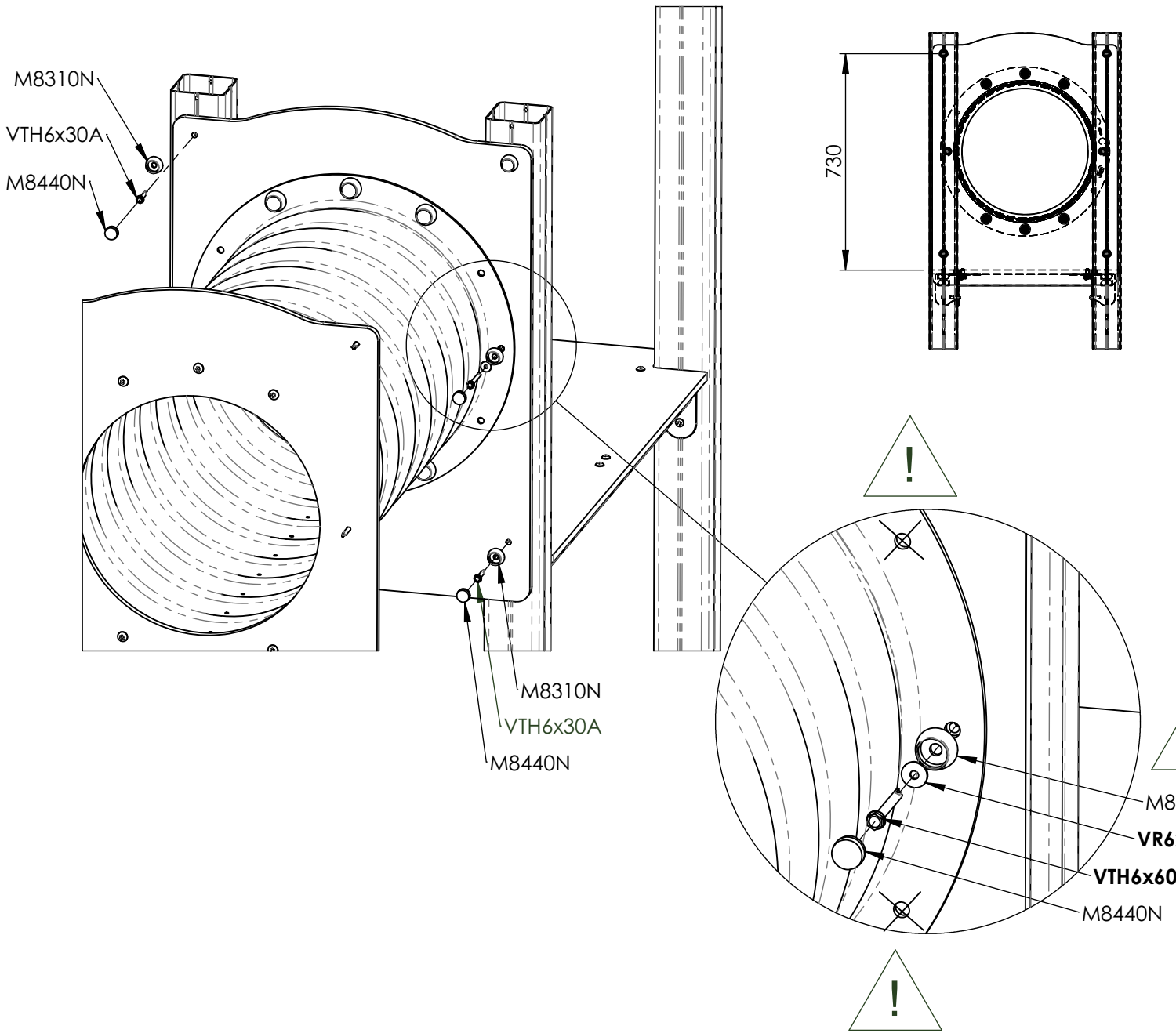


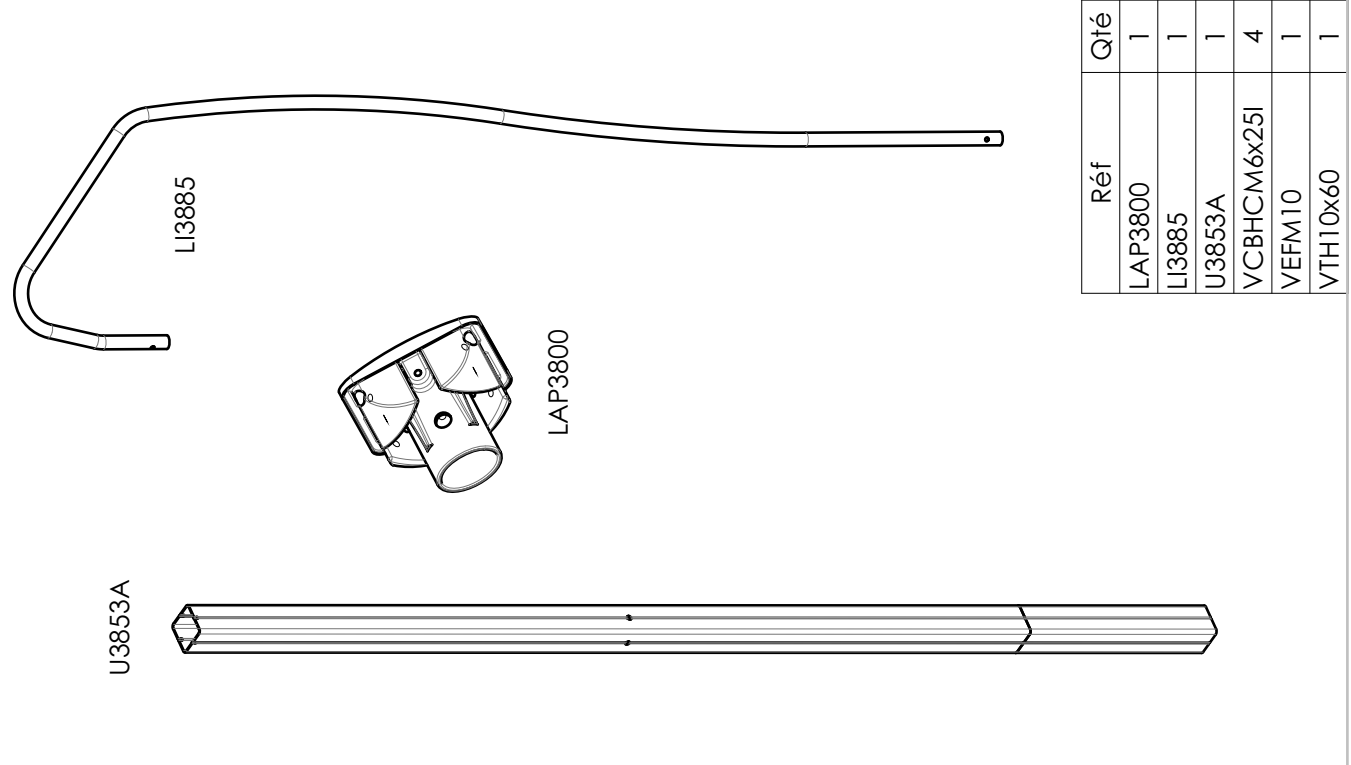
MI2502N x 4



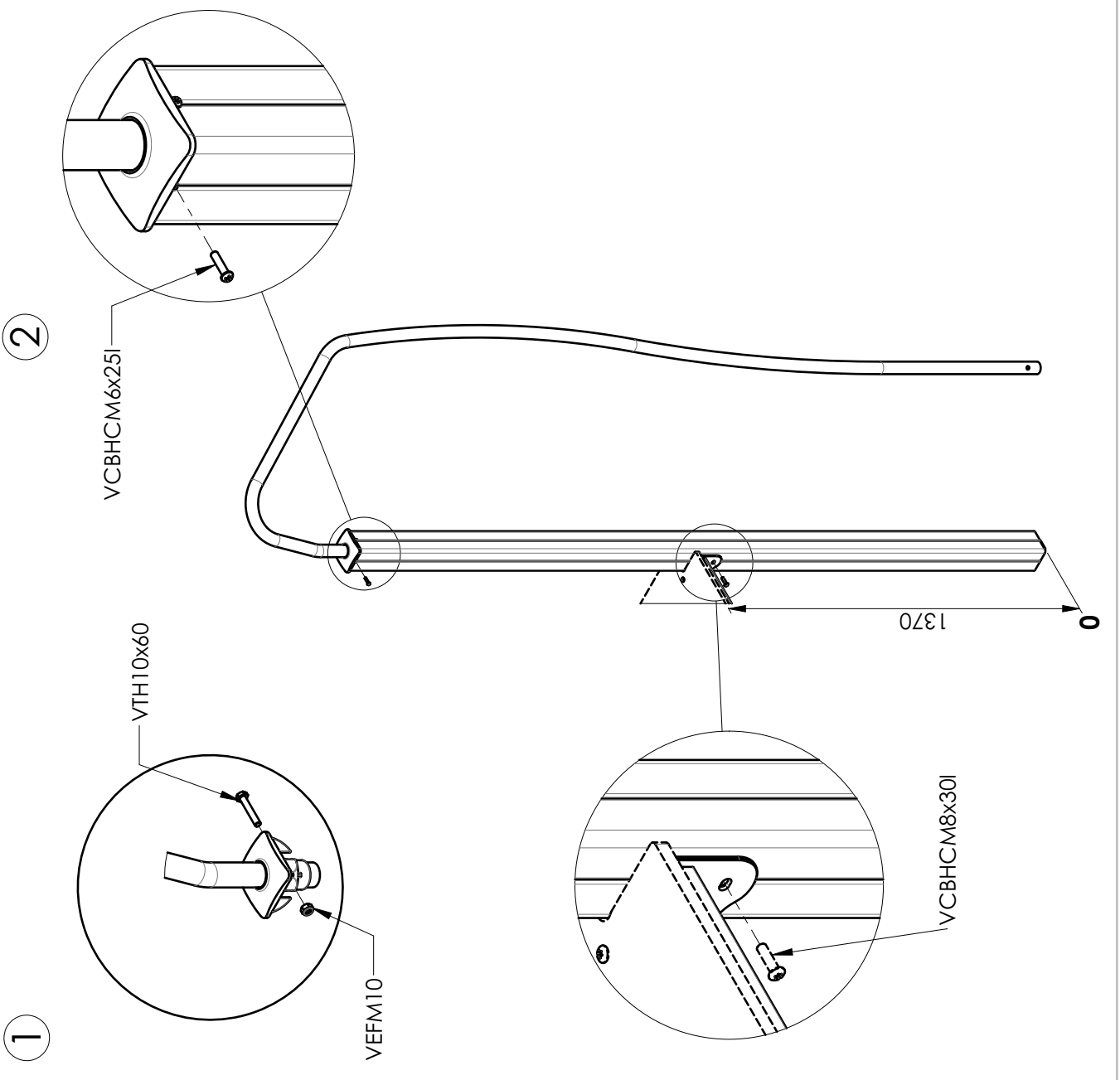
LI33130 x 1

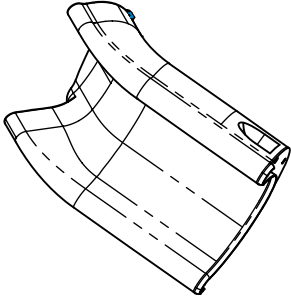
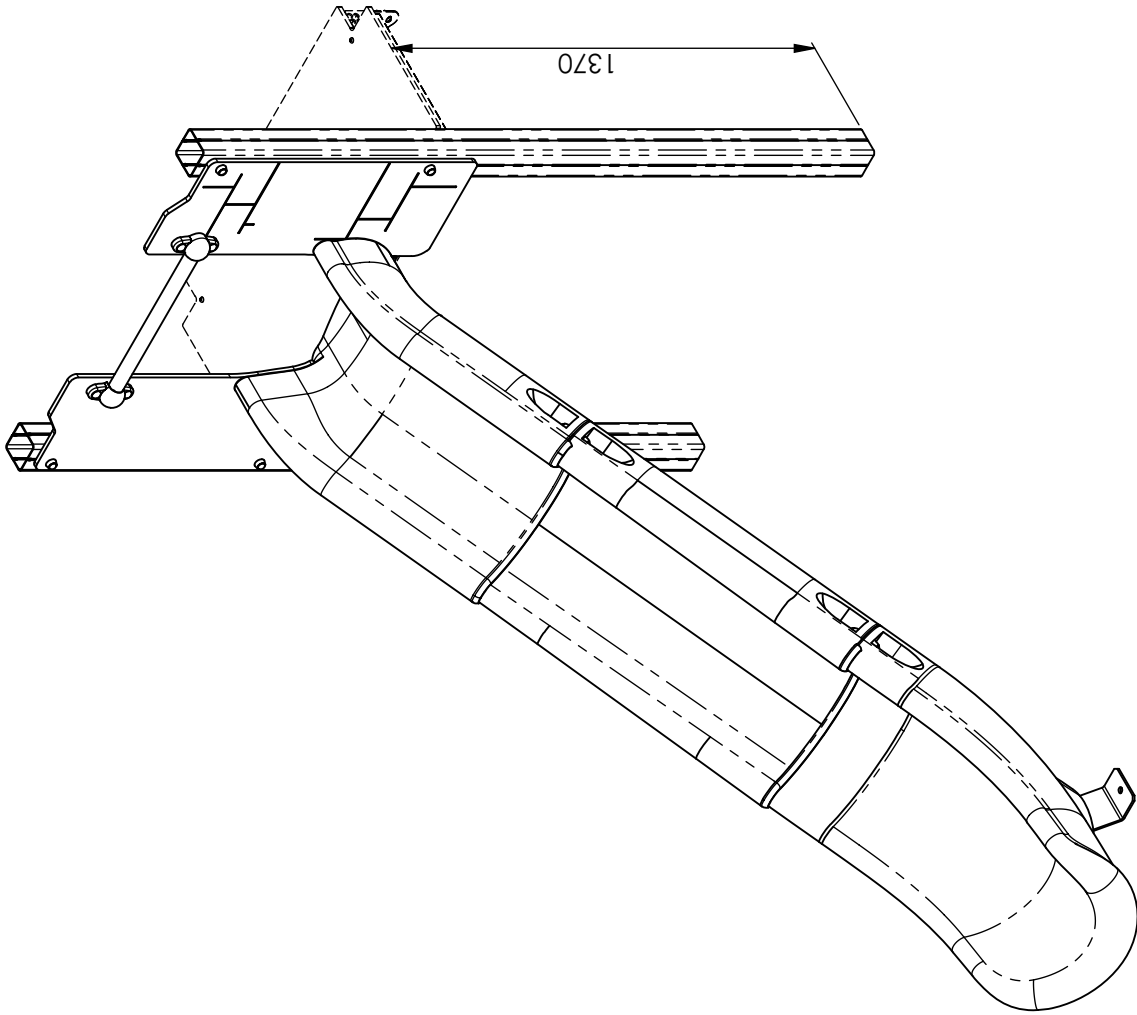
	VR6X18	4
	MI26N	2
	VTH6X30A	4
	VCBHCM6*25I	8
	VEBM6	8
	M10440N	4



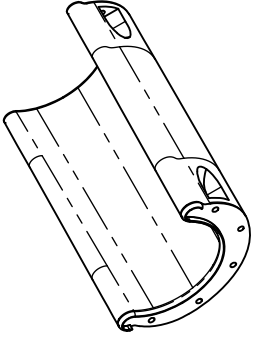


Réf	Qté
LAP3800	1
LI3885	1
U3853A	1
VCBHCM6x25I	4
VEFM10	1
VTH10x60	1

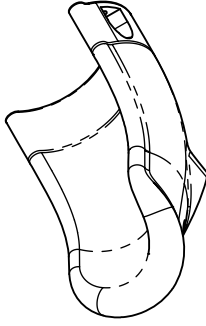




M4501



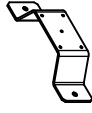
M4503



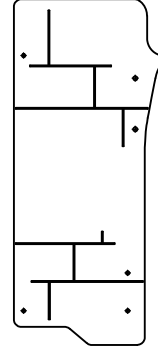
M4506



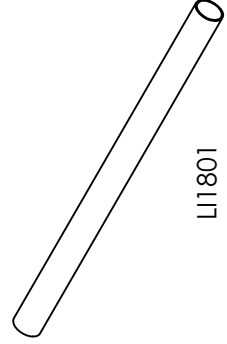
MI26N



LG4505



ET38455



LI1801

1370

Réf	Qté
ET38455PL	2
LG4505	1
LI1801	1
M4501	1
M4503	1
M4506	1
M8310N	4
M8440N	4
M10310N	24
M10440N	28
MI26N	2
VBT6x50	5
VCBHC10x30I	4
VCBHC10x40I	4
VEFM10	14
VTH6x30A	4
VTH10x70	10
VBT6x30	2

