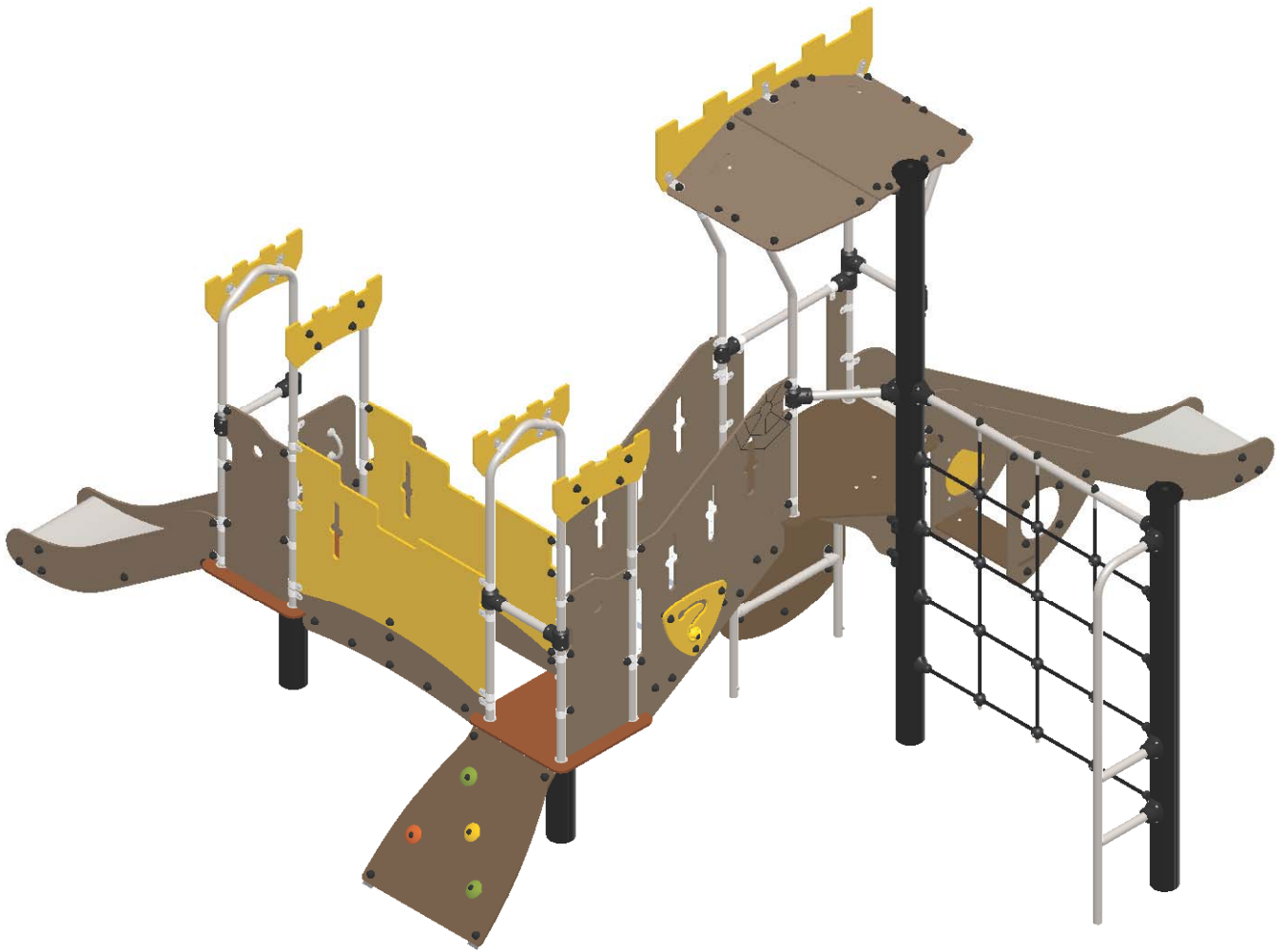


J38403

Proludic





N°		m ²
1	0.6 m	7.5 m ²
2	1 m	13.5 m ²
3	1.17 m	8.5 m ²
4	1.8 m	13 m ²

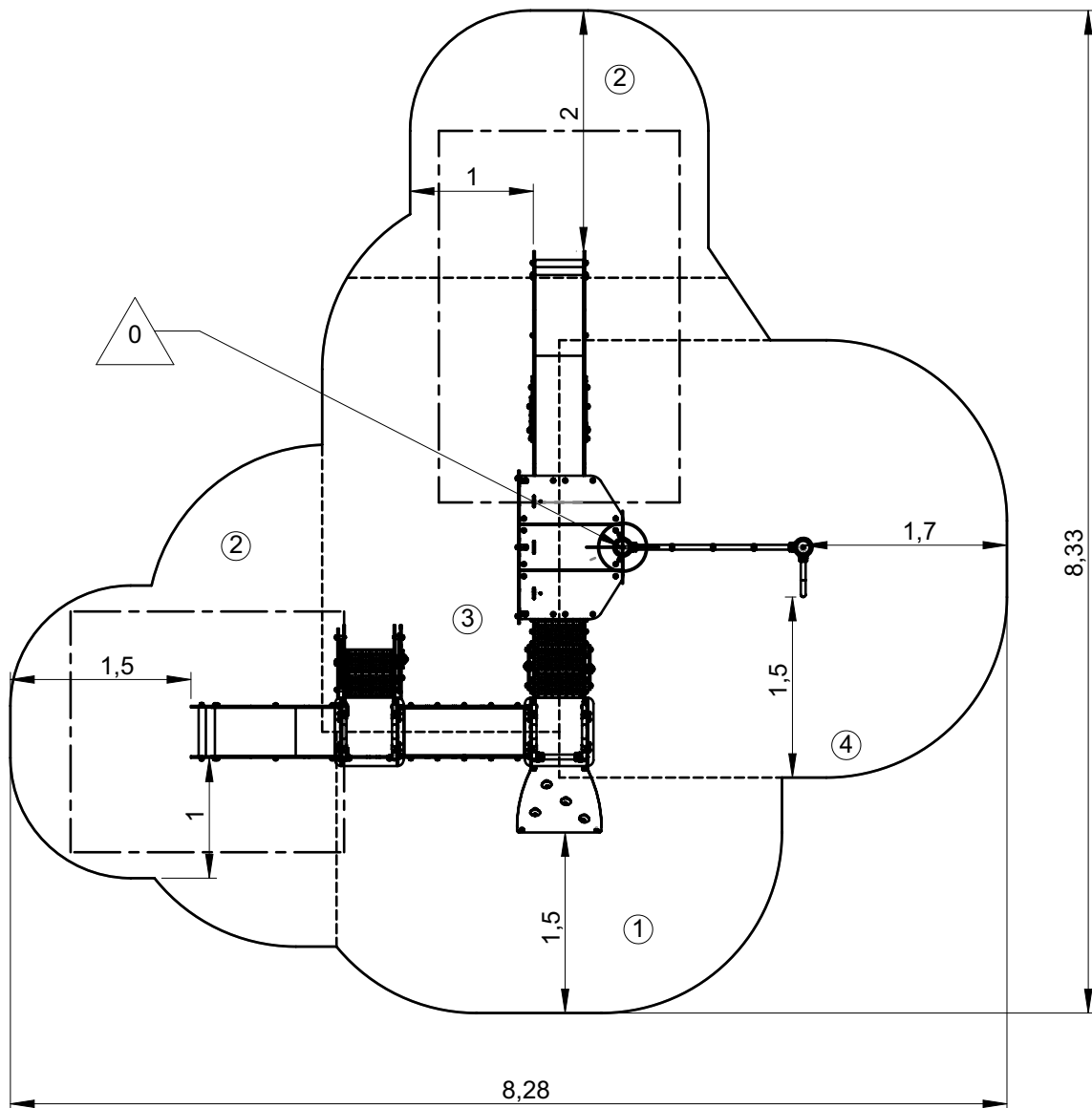
— Zone d'impact
Impact area
Area de impacto
Fallraum
Valzone

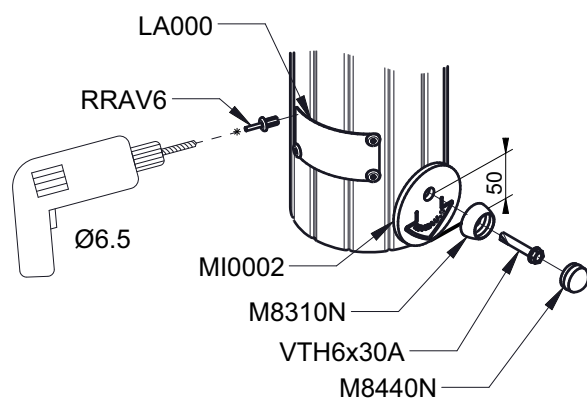
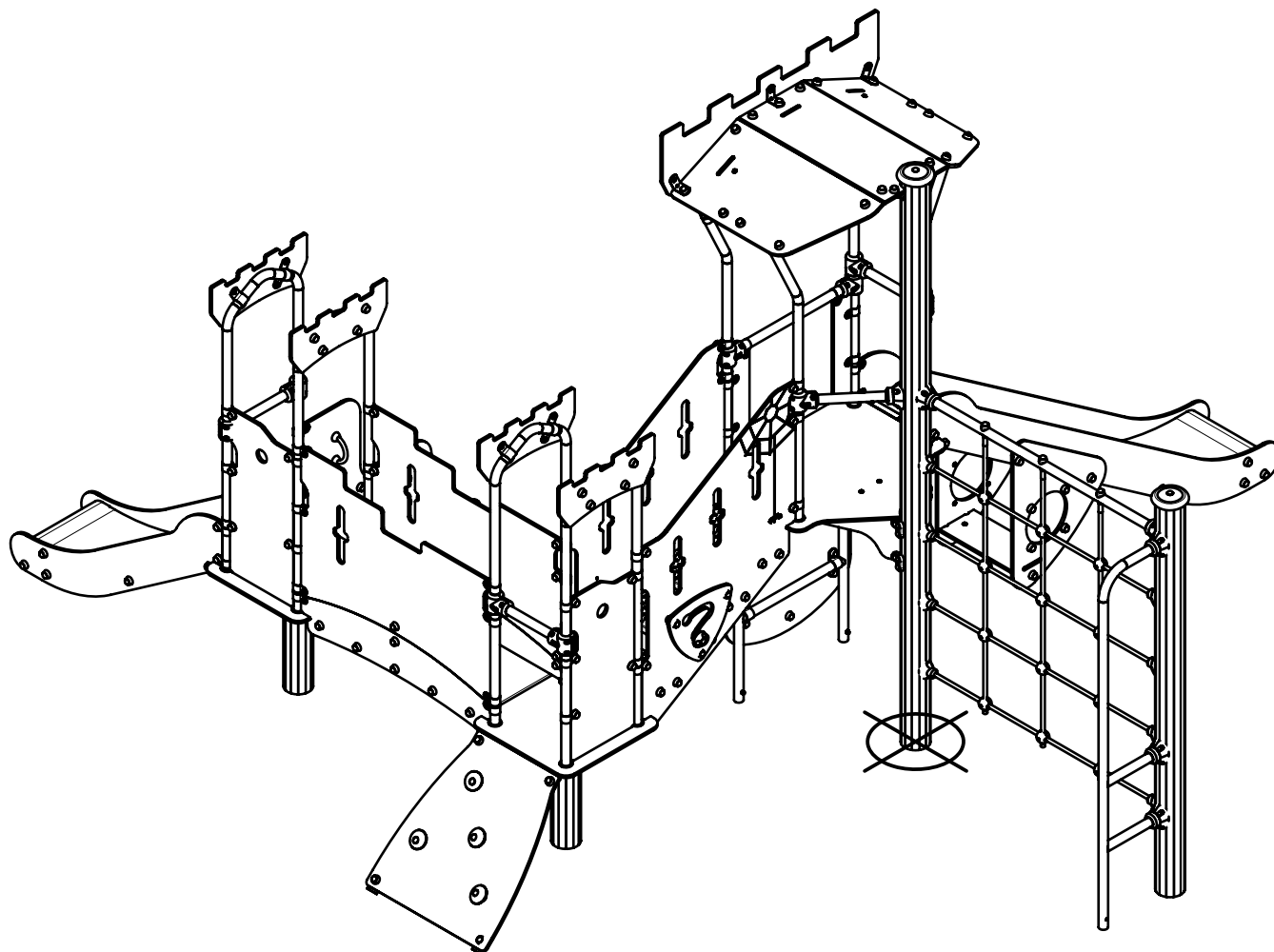
- - - Espace libre
Free space
Espacio libre
Freiraum
Vrije ruimte



Point de référence
Setting out point
Punto de referencia
Bezugspunkt
Referentiepunt

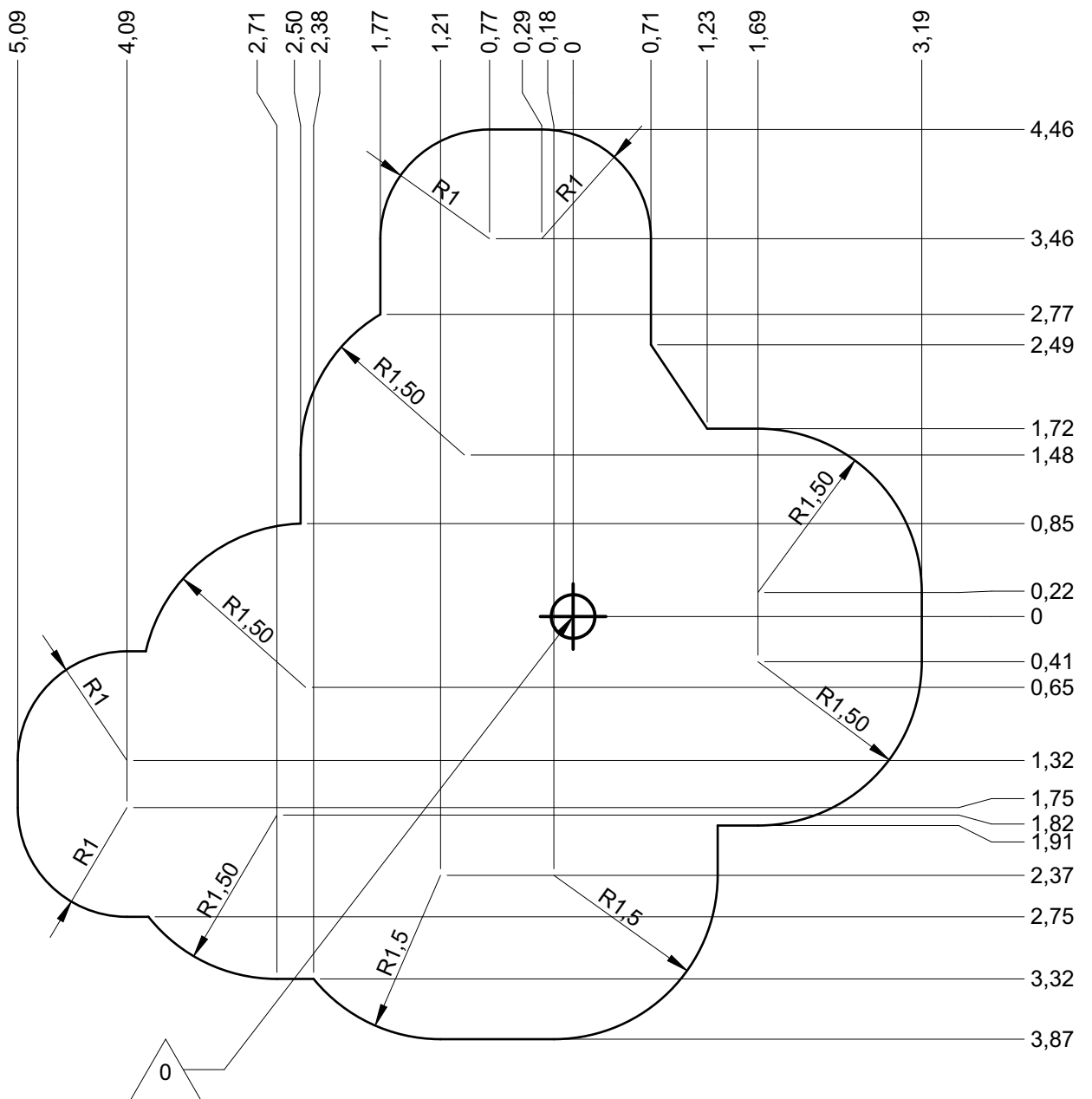
EN1176-1:2017
EN1176-3:2017





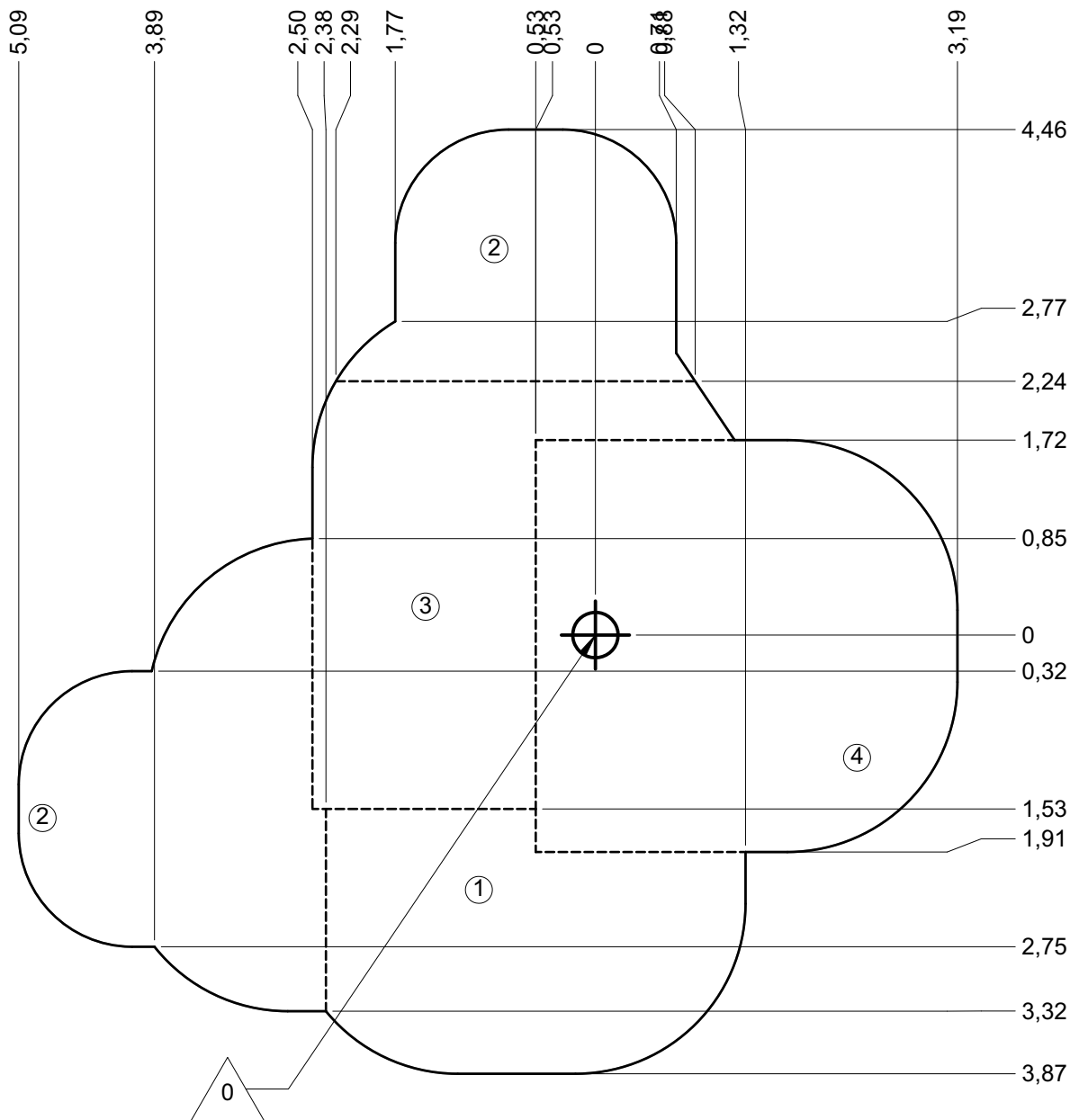
— Zone d'impact
 Impact area
 Area de impacto
 Fallraum
 Valzone

42.5 m²



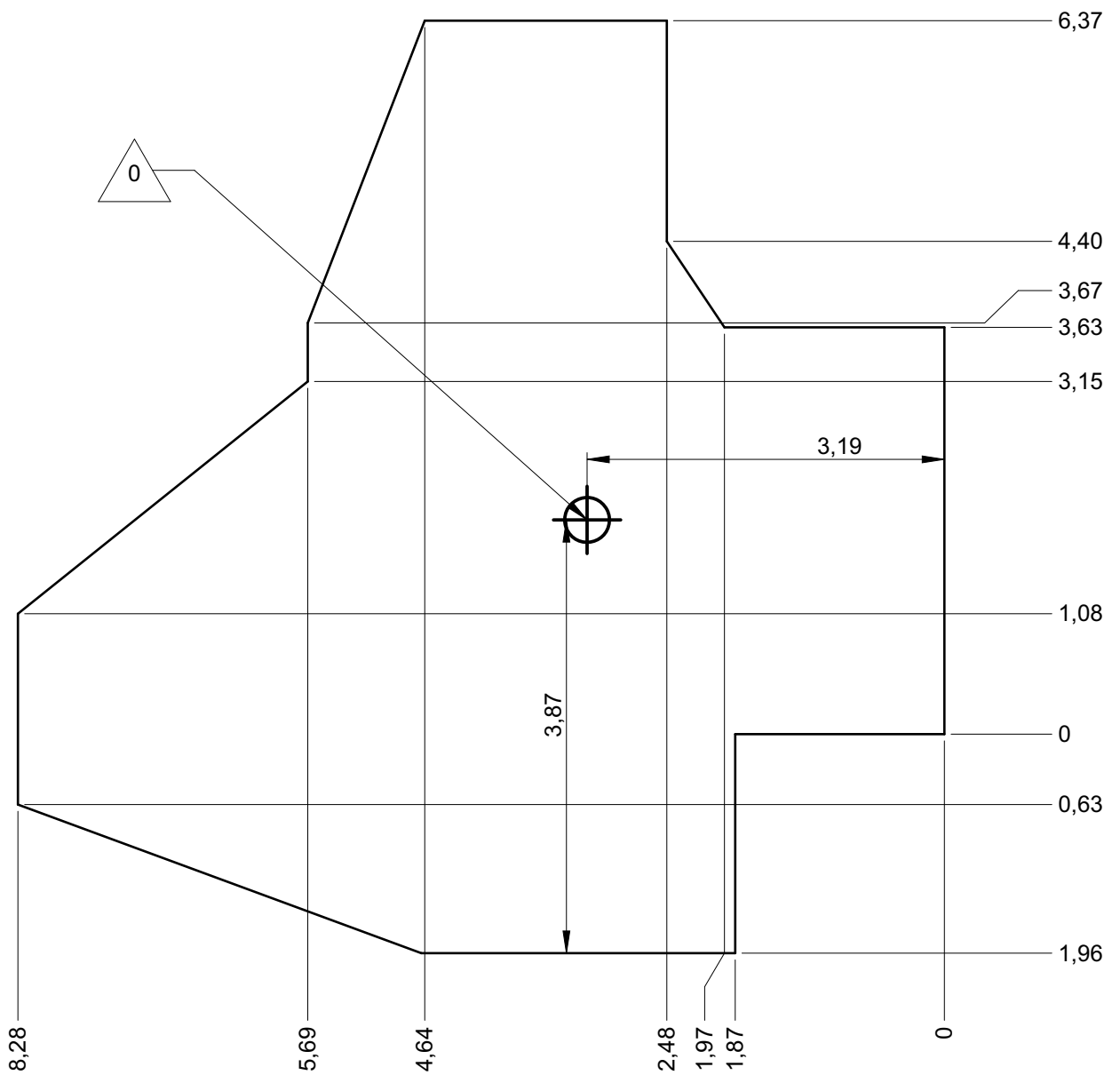
— Sol souple
 Wepour
 Caucho continuo
 Synthetischer fallschutz
 Gietvloer

42.5 m²

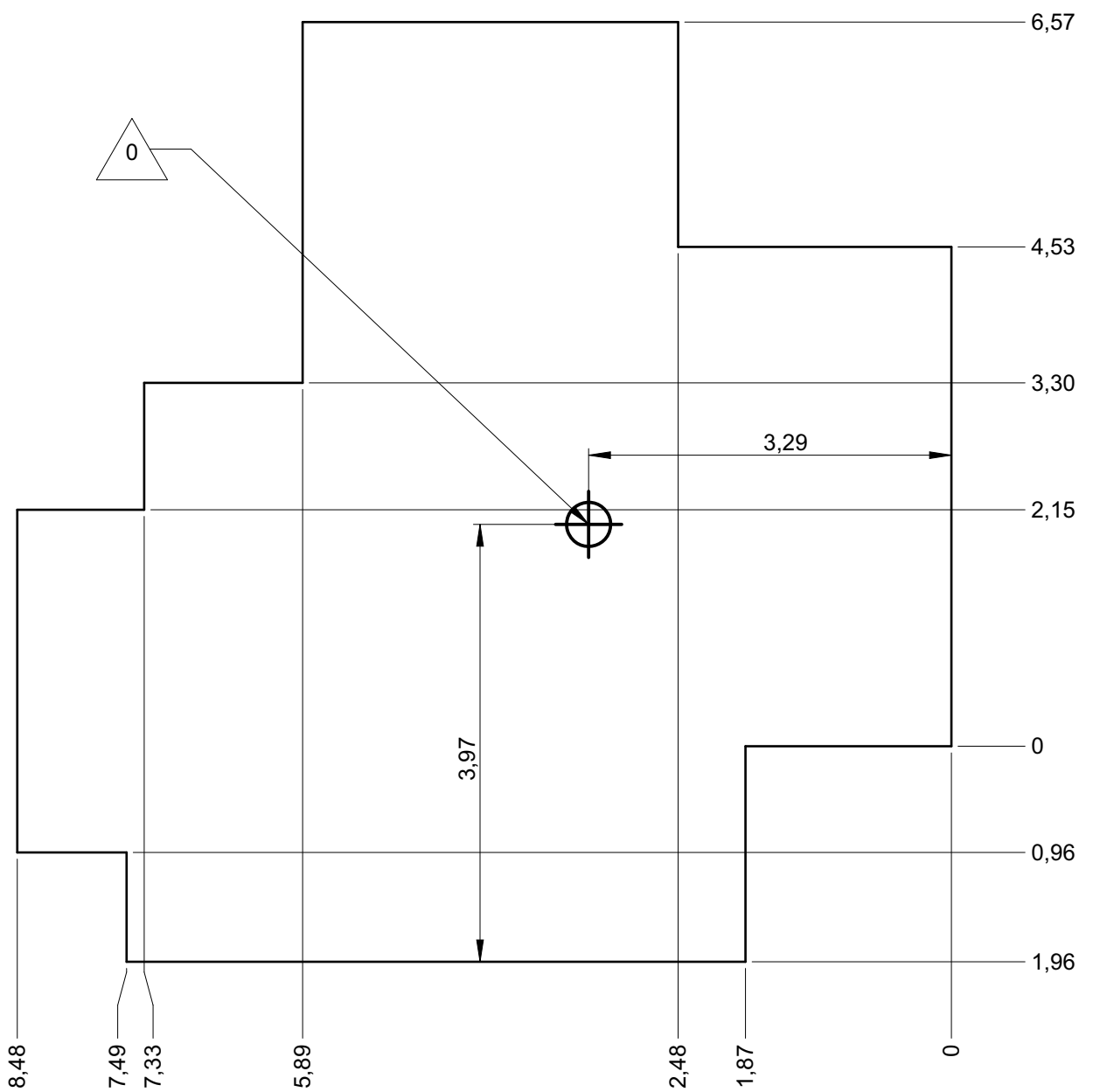


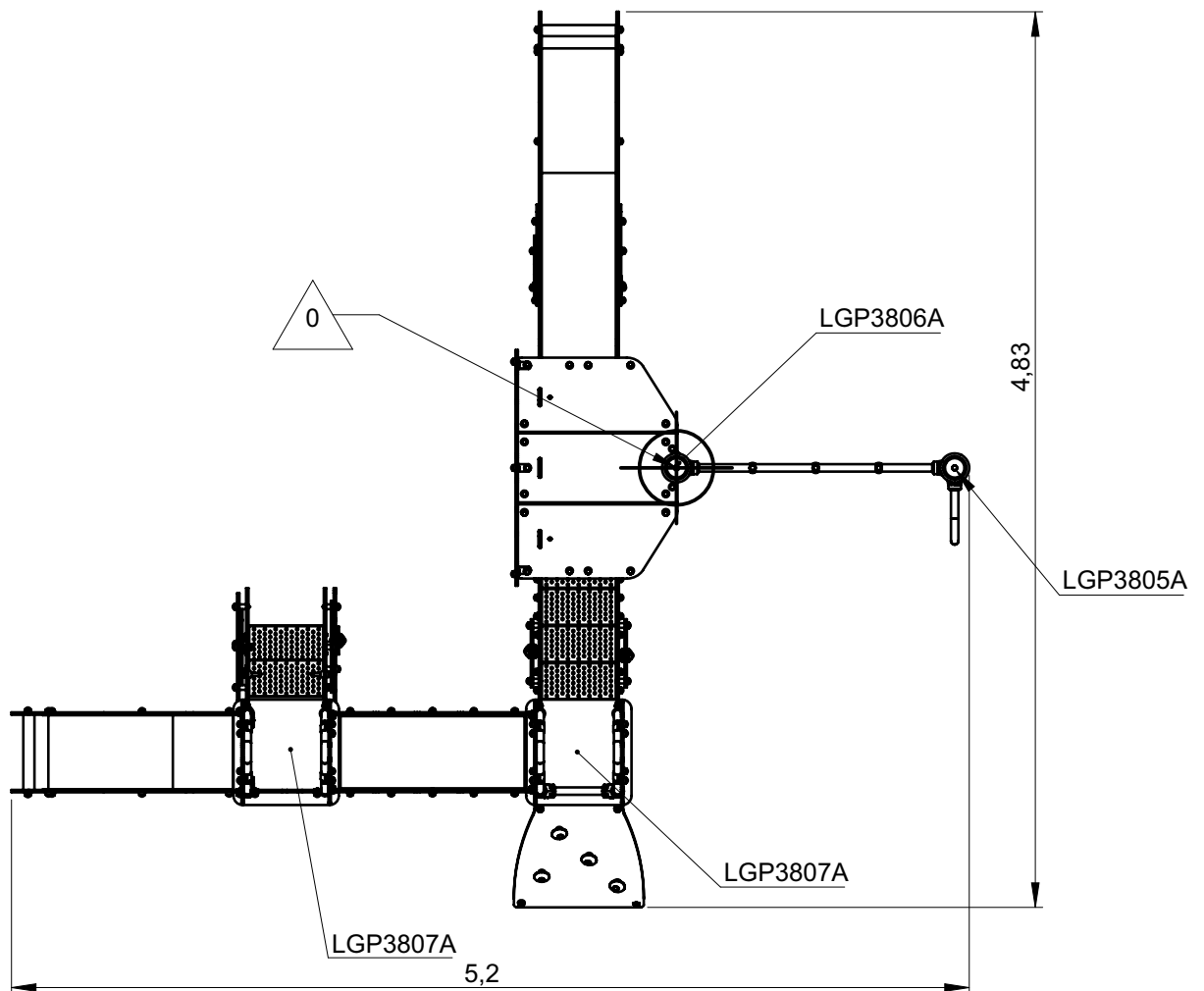
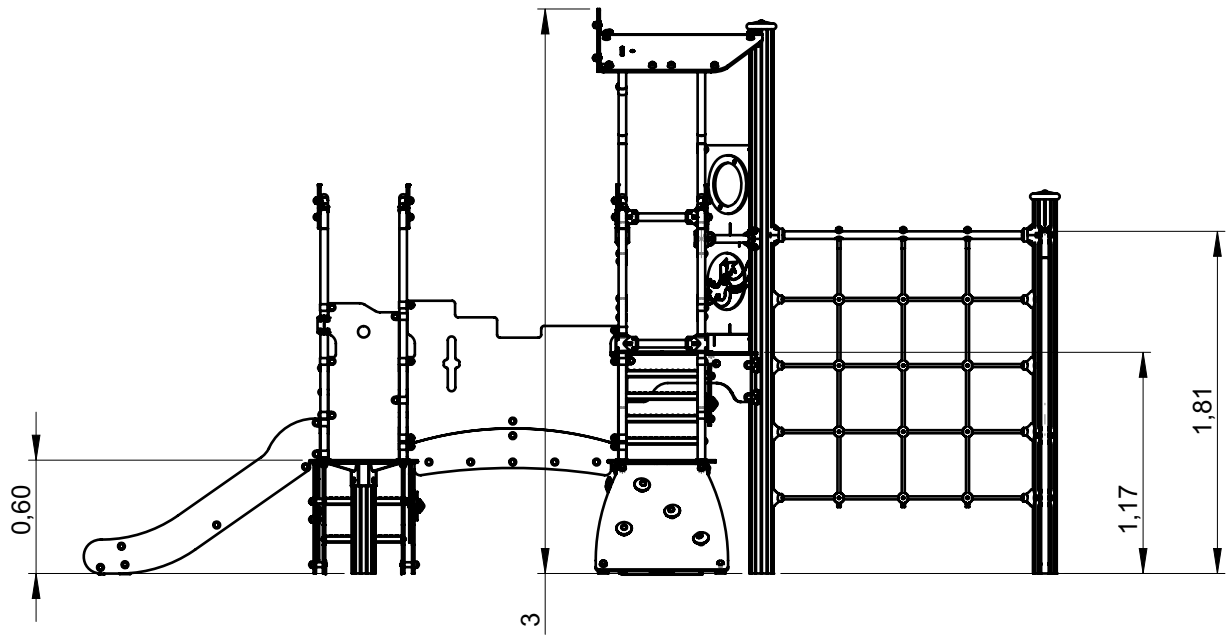
— Dalle béton
 Concrete pad
 Solera de hormigon
 Beton bodenplatte
 Betonnen bodemplaat

31 m
44 m²

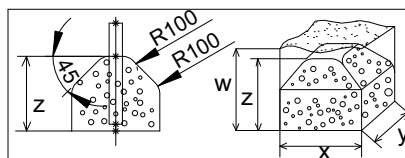
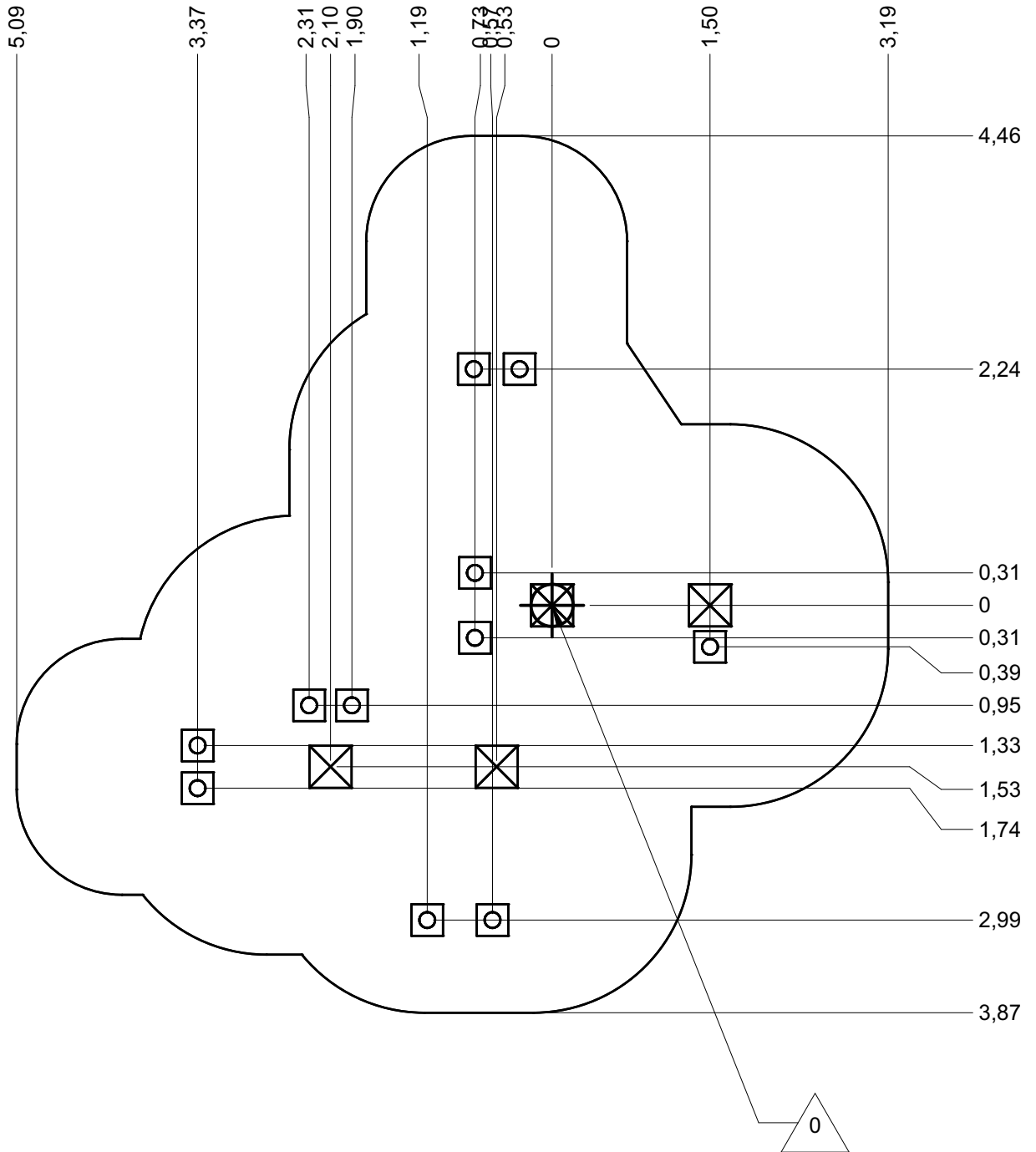


— Sol fluent
 Loos partucule material 35 m
 Arenero
 Loses Bodenmaterial 53 m²
 Los bodemmaterial



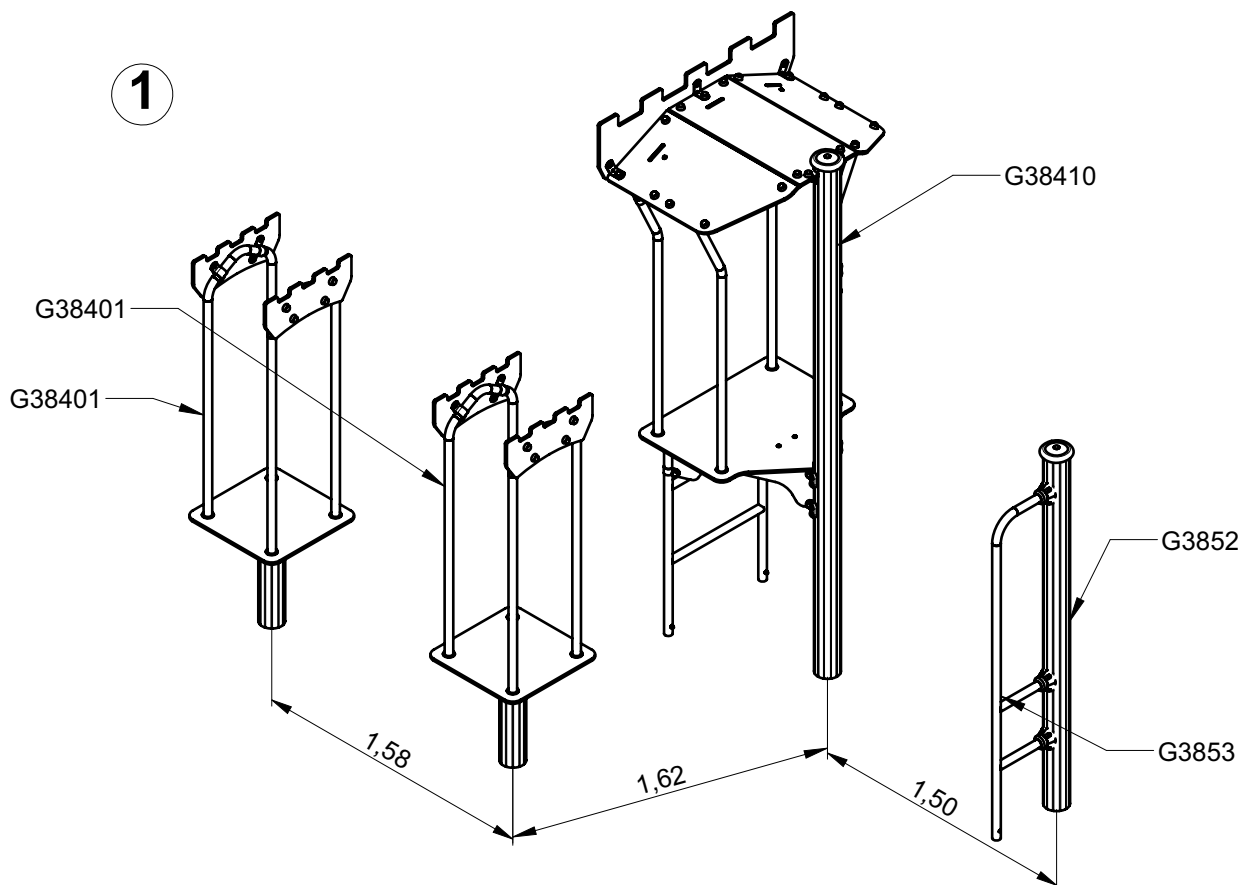


Implantation
 Footing plan
 Implantación
 Fundamentplan
 Funderingstekening

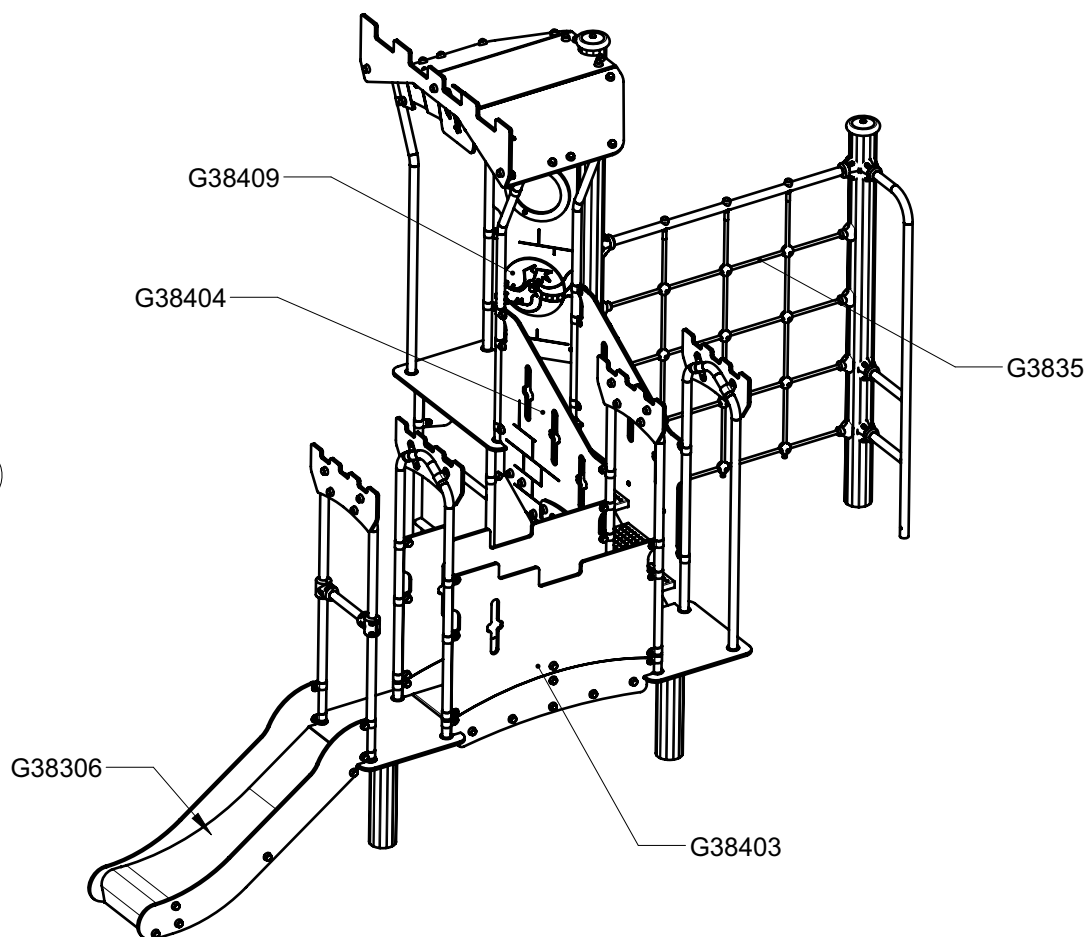


	x	y	z	w
□	0.3	0.3		0.6
□	0.3	0.3	0.3	0.6
□	0.4	0.4	0.3	0.6

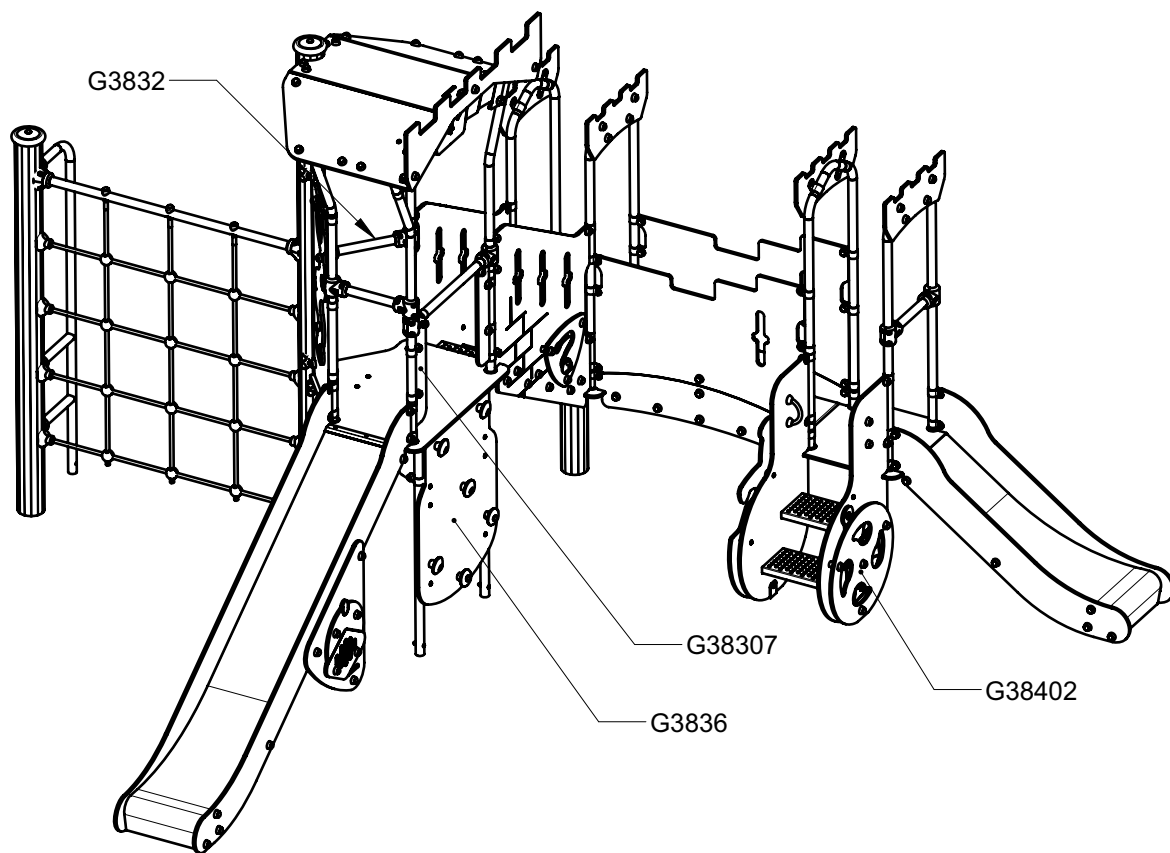
1



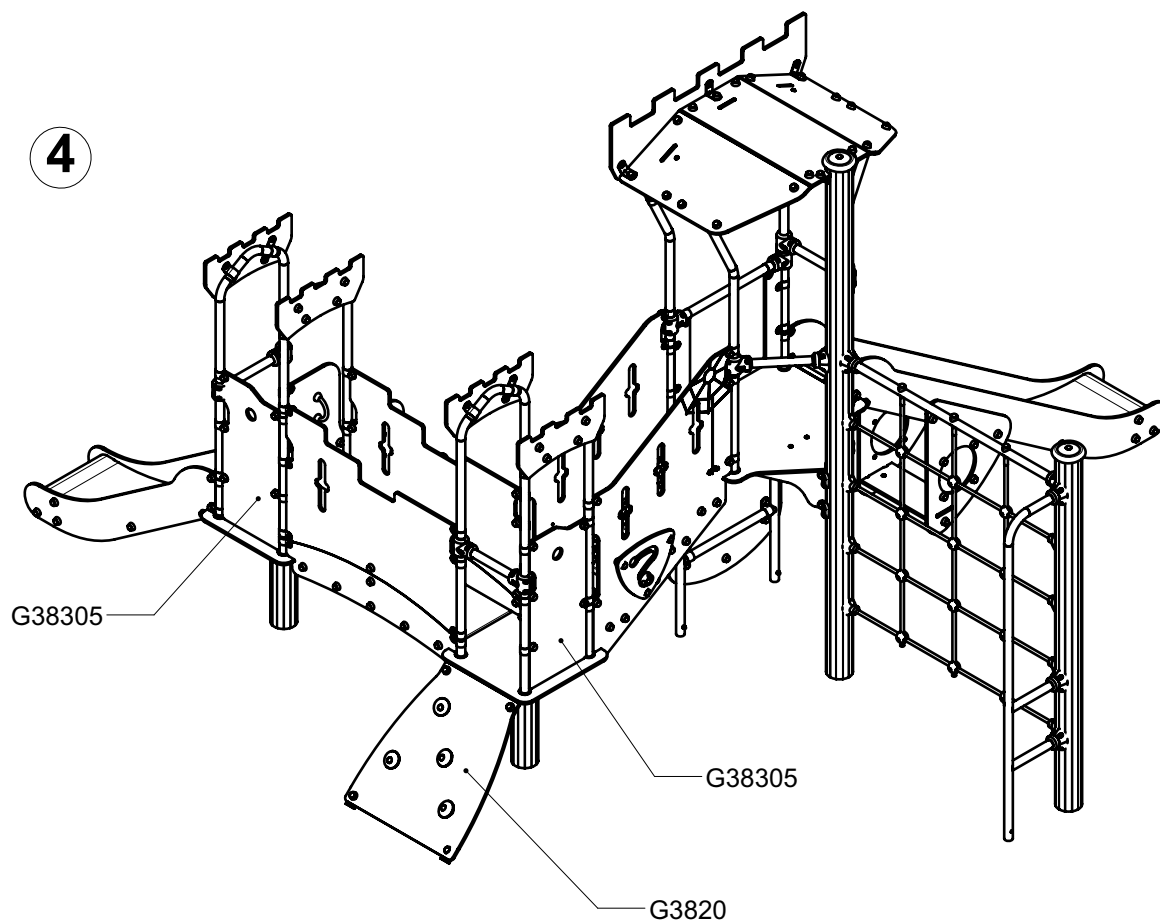
2

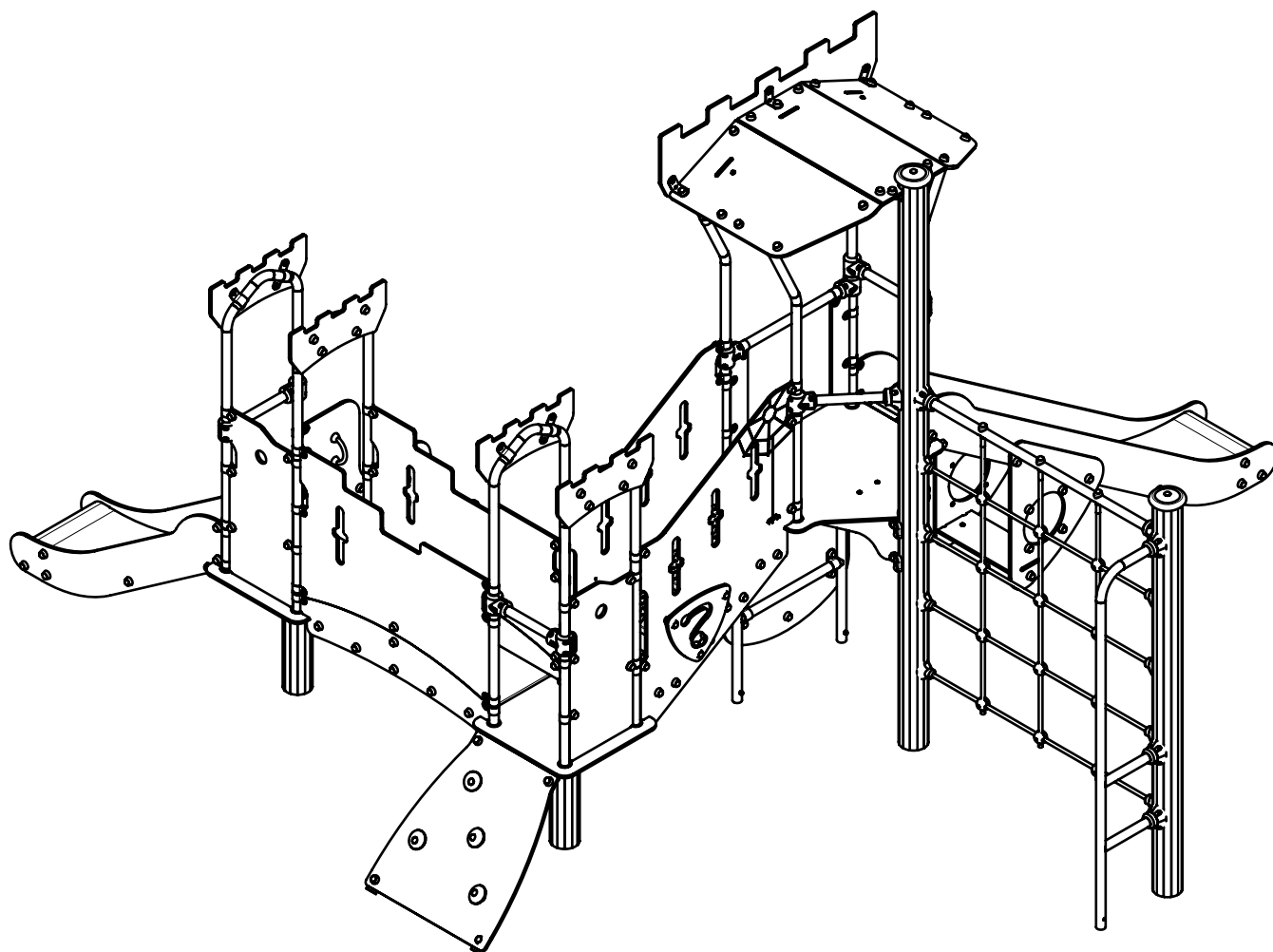


3

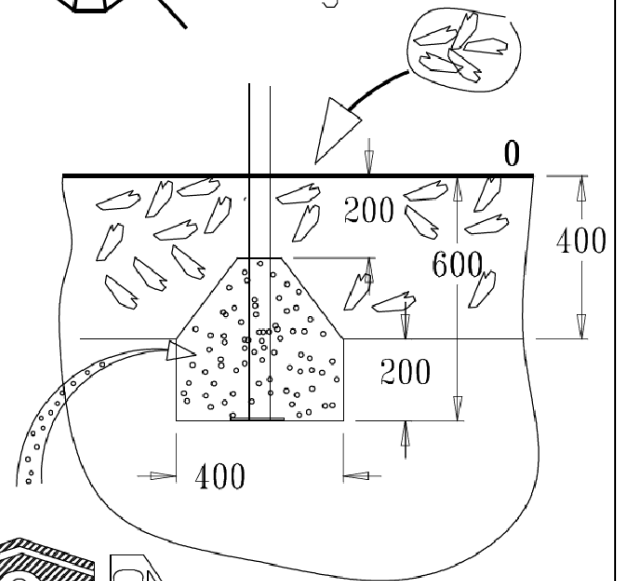
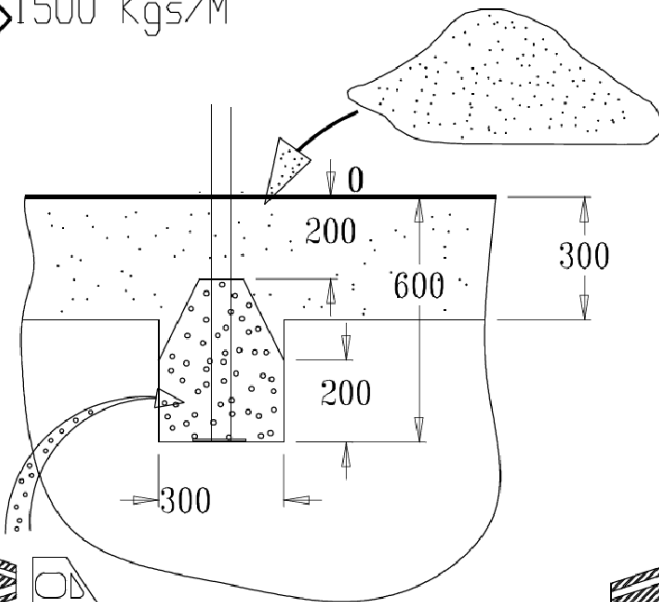
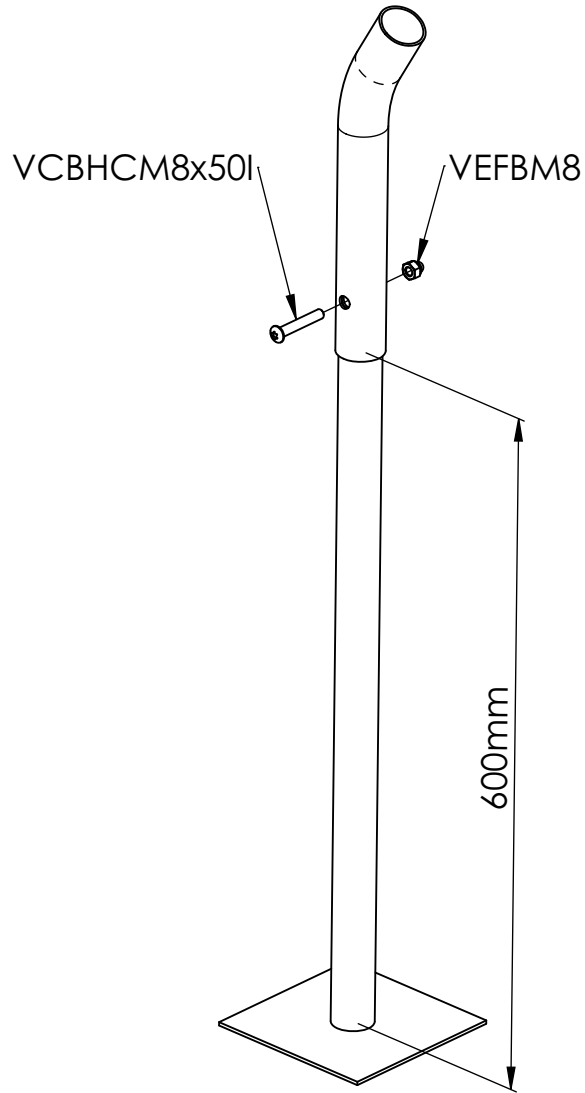


4



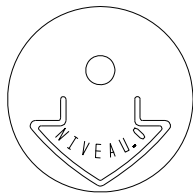


G3820	1
G3832	1
G3835	1
G3836	1
G3852	1
G3853	1
G38305	2
G38306	1
G38307	1
G38400	1
G38401	2
G38402	1
G38404	1
G38409	1
G38410	1
G38403	1



A

Proludic



MI0002

VCBHCM10

M10310N
VEFM10
M10440N

LG08

M10440N
VEFM10
MI2503

LG3802

M10440N
VTH10*80
MI2503

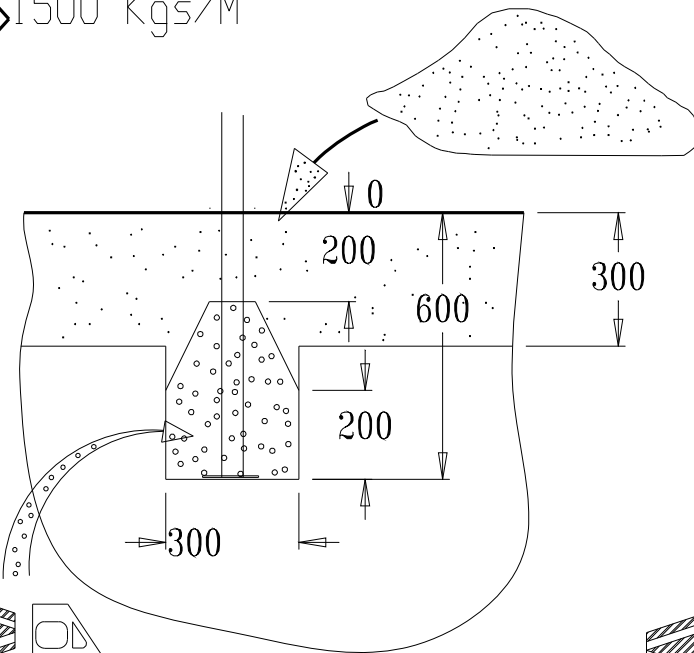
LG3804



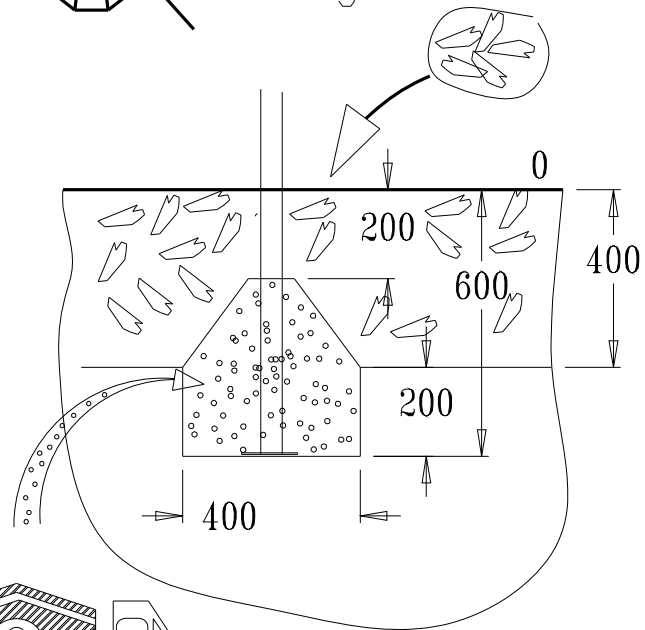
> 1500 Kgs/M³



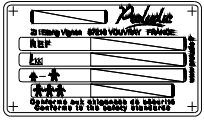
< 1500 Kgs/M³



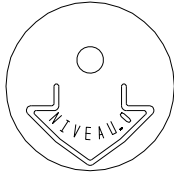
50 Kgs



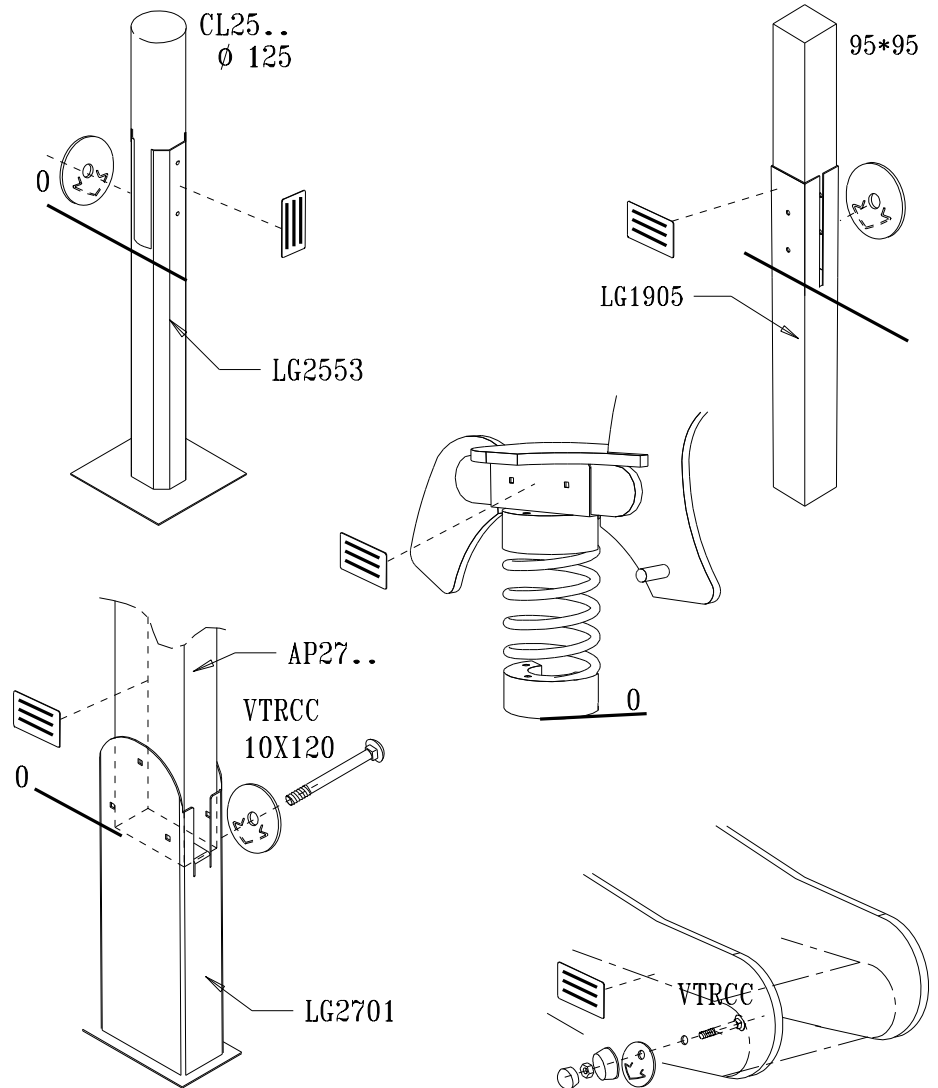
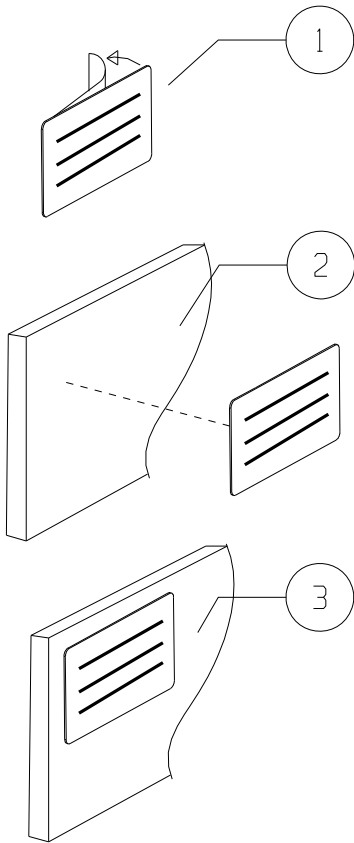
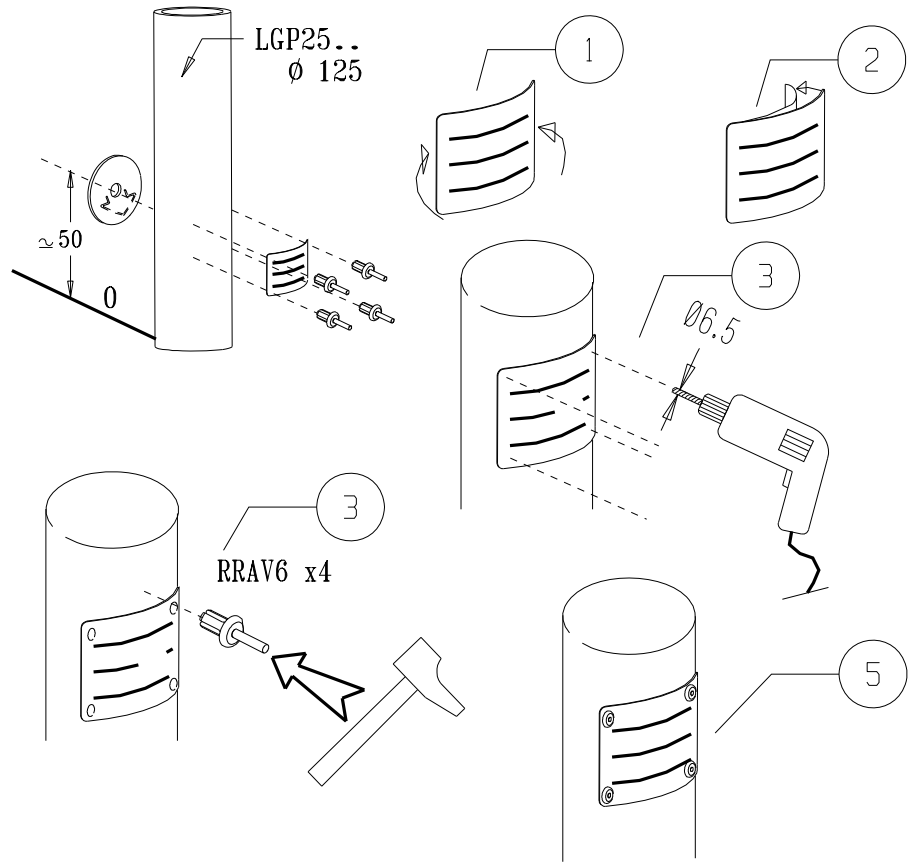
90 Kgs

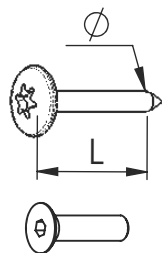


LA000



MI0002





VBT 6 x 30
 \varnothing \uparrow L (mm)

VFHC



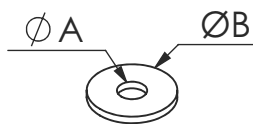
VEC M10
 \varnothing



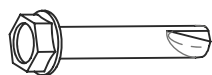
VEF



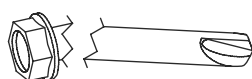
VEB



VR6x18
 $\varnothing A$ $\varnothing B$



VTHA

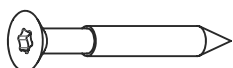


1000 - 1800 tr/min

Vitesse de rotation
 Rotation speed

14 N.m

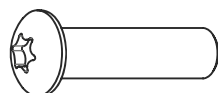
Couple de rupture
 Torque of break



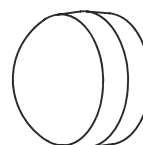
VWT



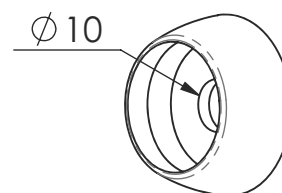
VGC



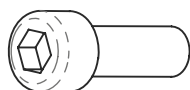
VCBHC



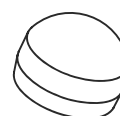
M10 440N



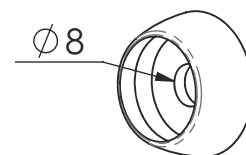
M10 310 N



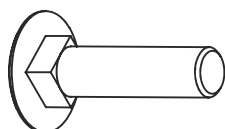
VBTR



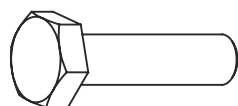
M8440N



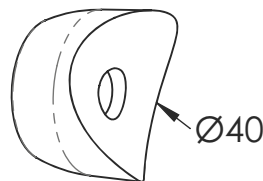
M8310N



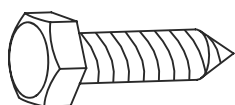
VTRCC



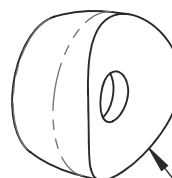
VTH



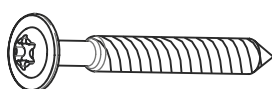
MI2503



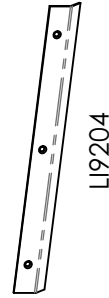
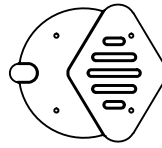
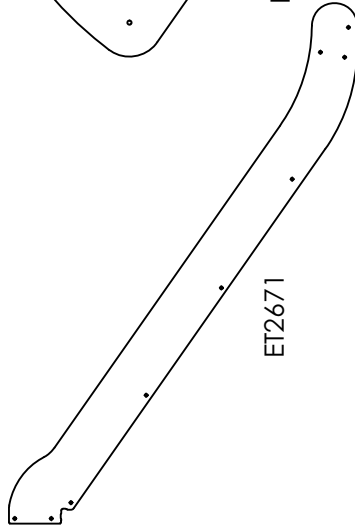
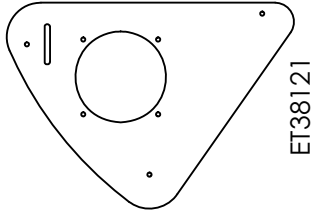
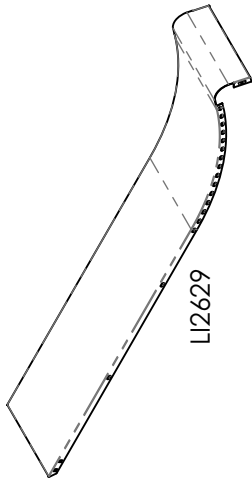
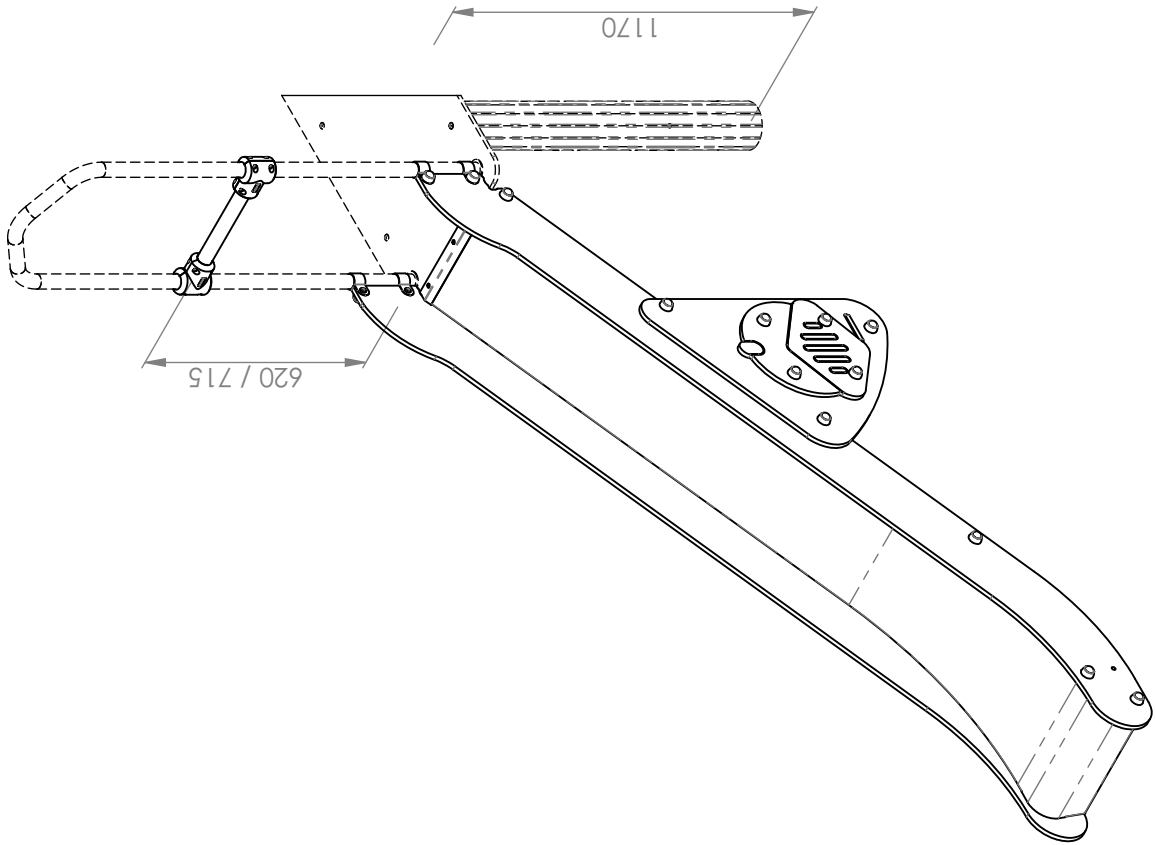
VTF



MI2701

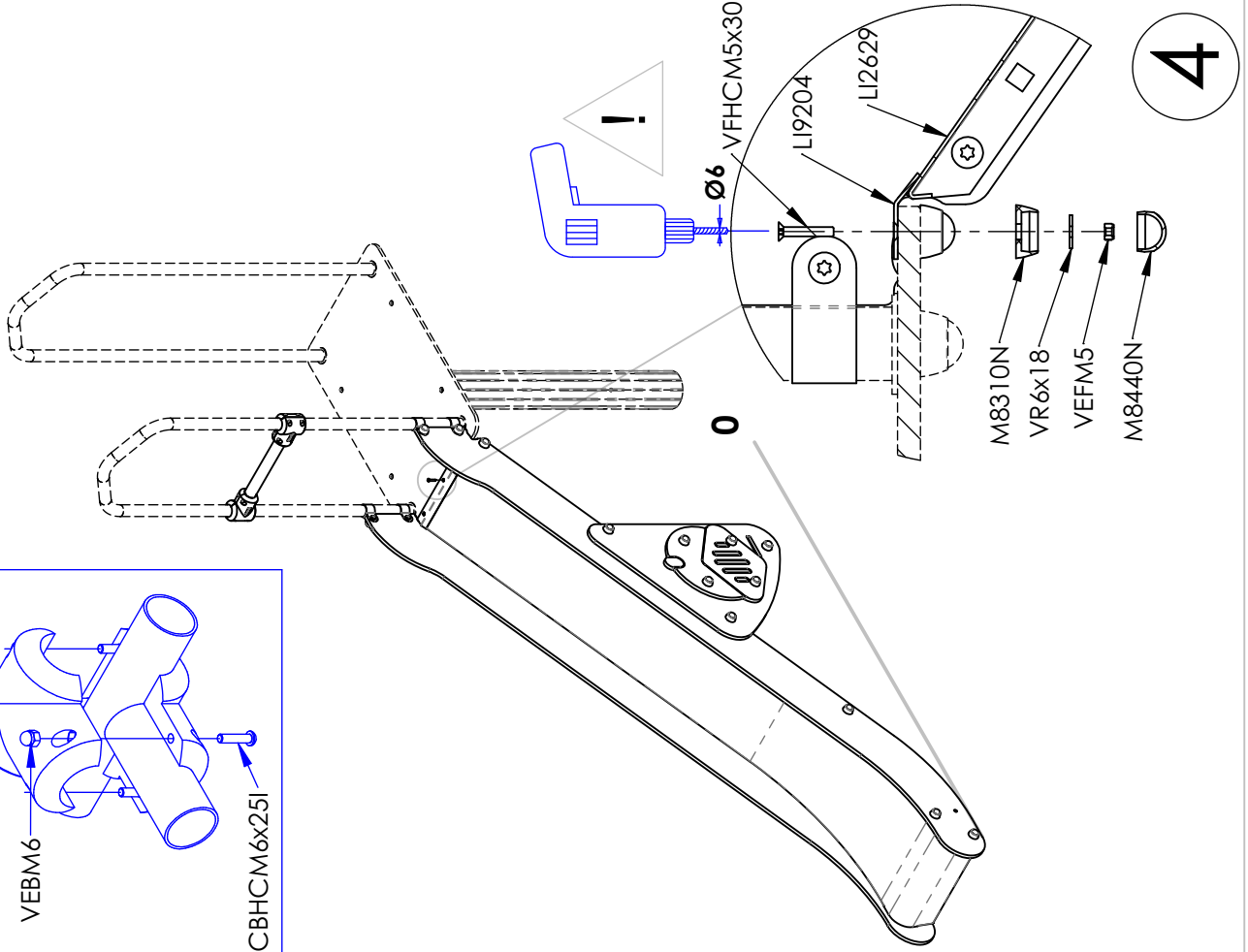
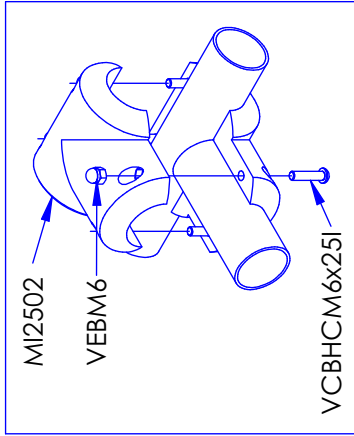
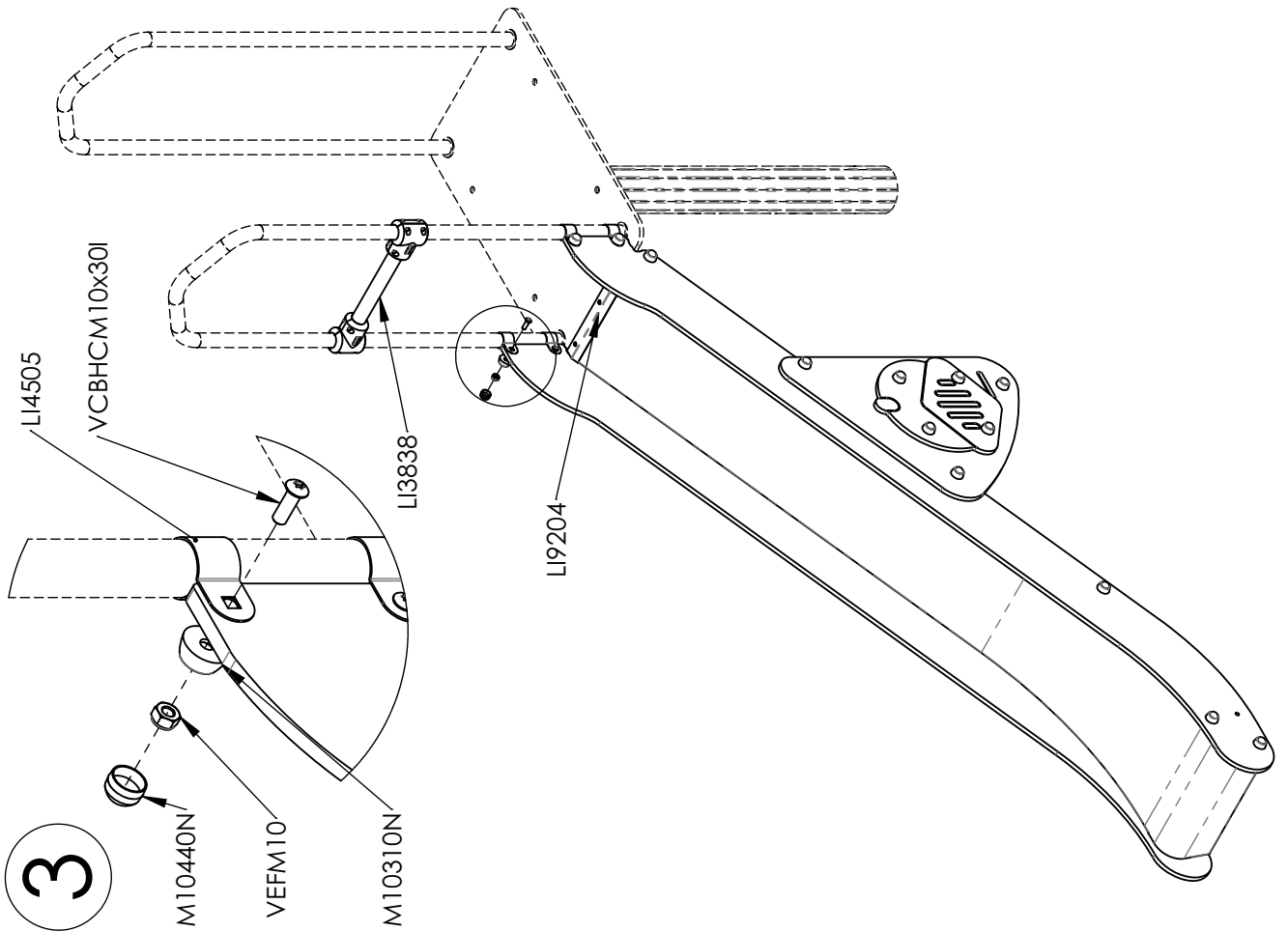


VBT



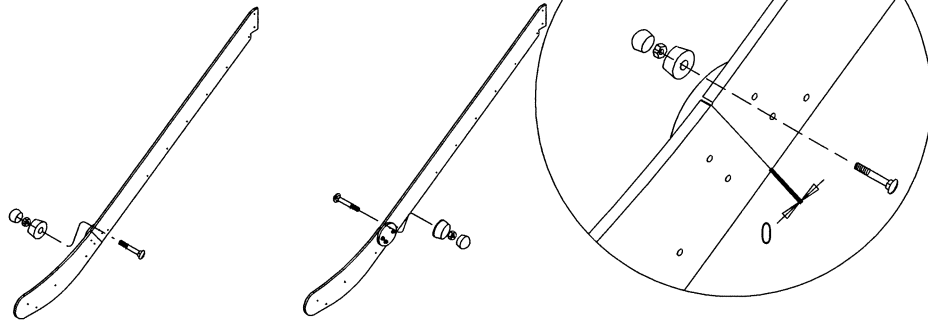
Référence	Qté
LI2629	1
ET2671PL	2
LI4505	4
VCBHC10x30I	22
VCBHC10x40I	8
M10310N	30
VEFM10	30
VEFM5	3
M10440N	30
LI3838	1
MI2502N	4
VEBM6	8
LI9204	1
ET38121PL	2
FT3814	1
P13	2
ET38410J	1
M8310N	3
M8440N	3
VFHC15x30	3
VR6x18	3

3

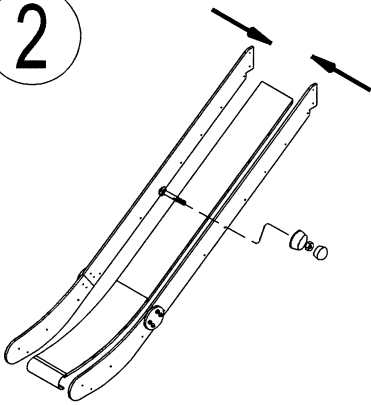


4

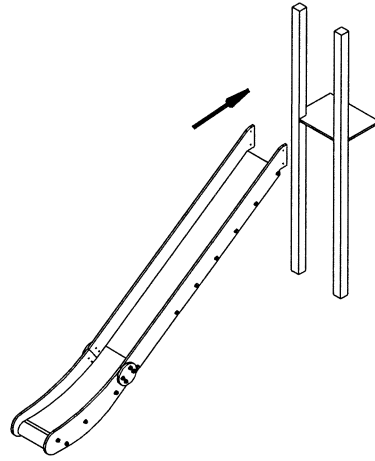
1



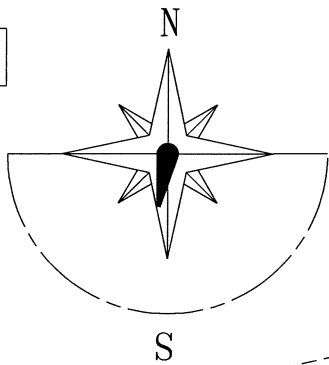
2



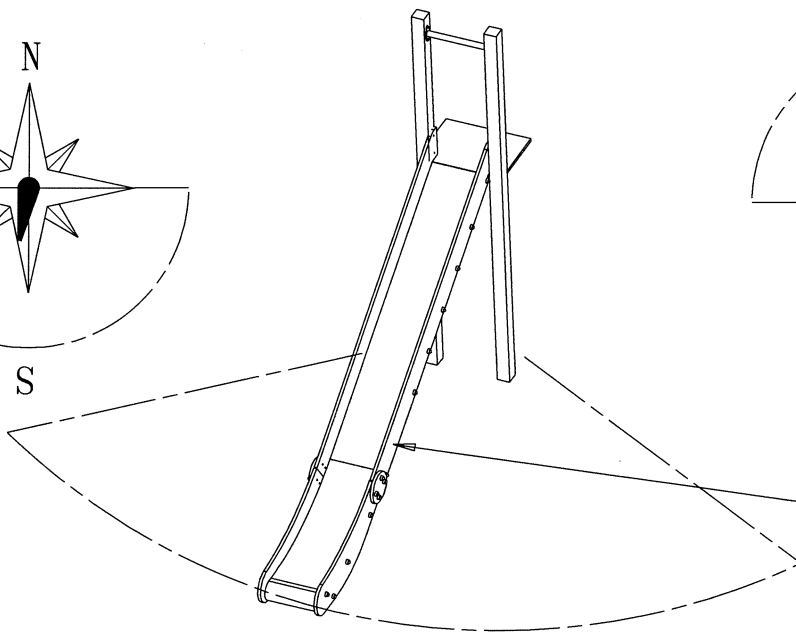
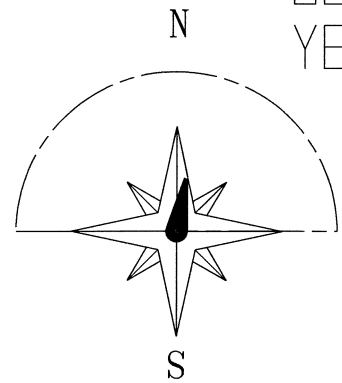
3



NON
NO

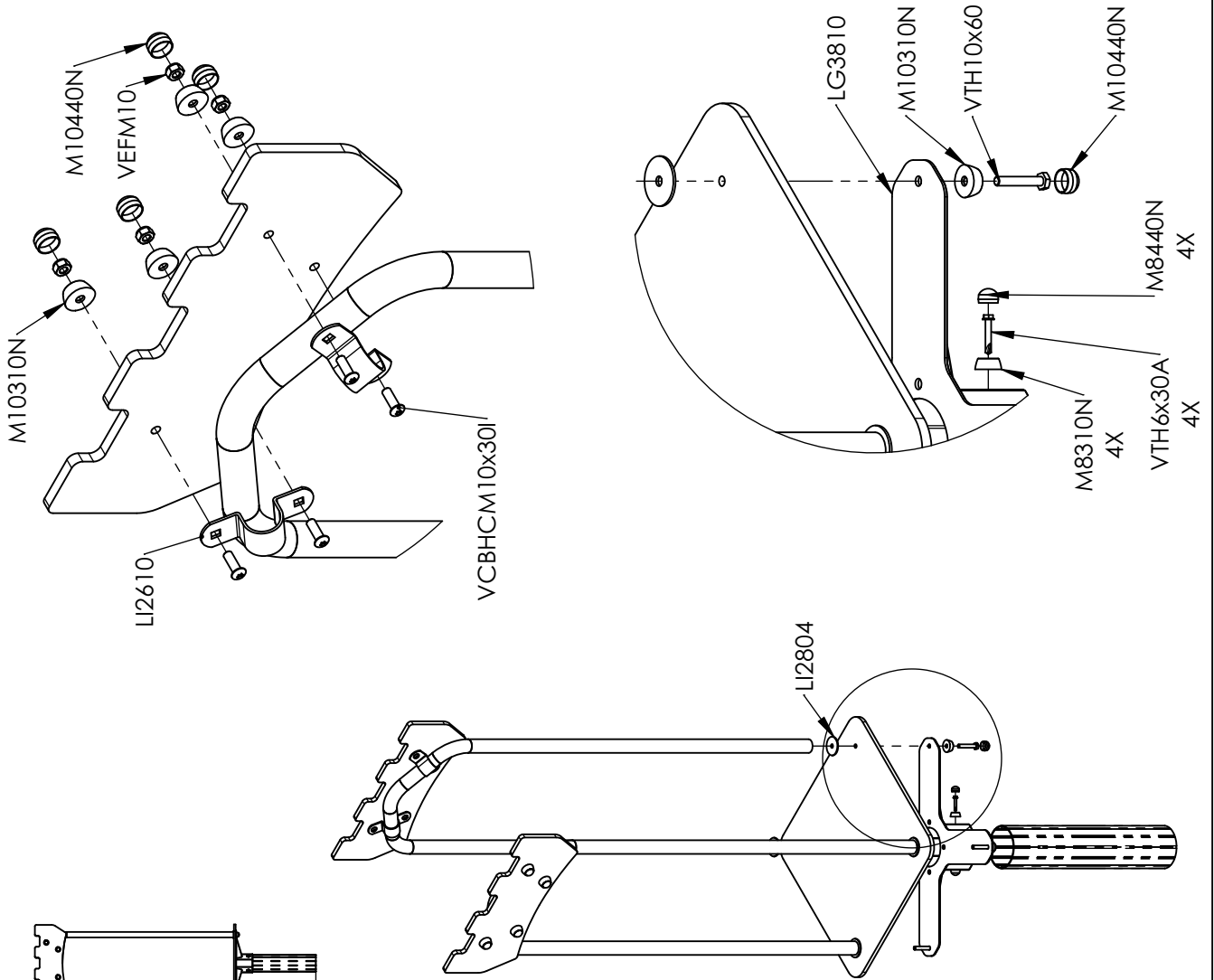
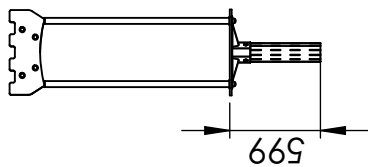


OUI
YES

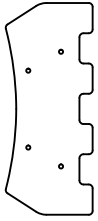


FR

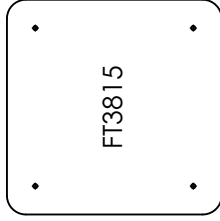
Il est recommandé de ne pas orienter la glissière Sud / Sud Ouest



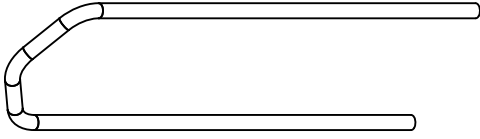
ET38402



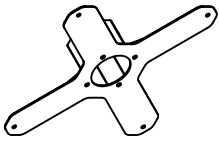
FT3815



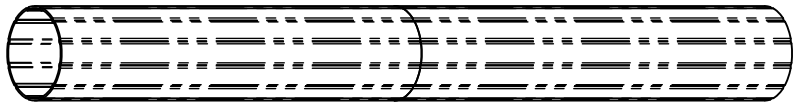
LI3836



LG3810



LGP3807A



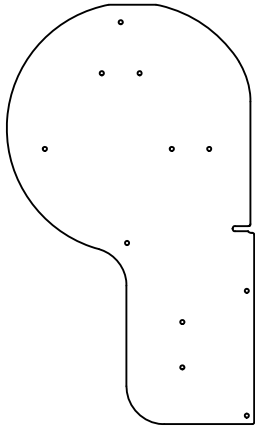
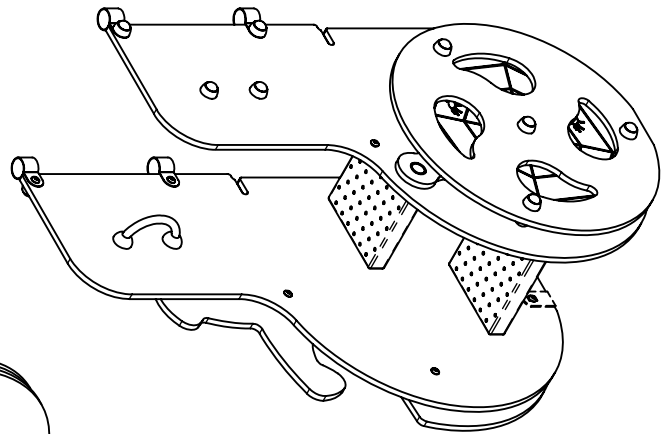
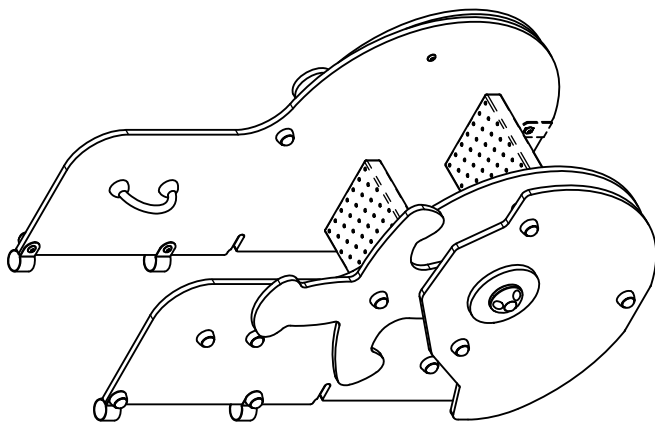
LI2804



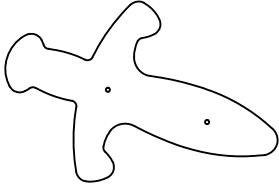
LI2610



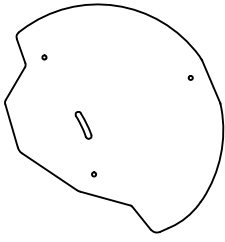
Réf	Qté
ET38402J	2
FT3815	1
LG3810	1
LGP3807A	1
LI2610	4
LI2804	4
LI3836	2
M8310N	4
M8440N	4
M10310N	12
M10440N	12
VCBHC10x30I	8
VEFM10	8
VTH6x30A	4
VTH10x60	4



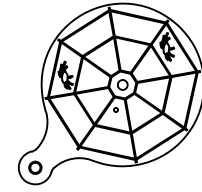
ET38122



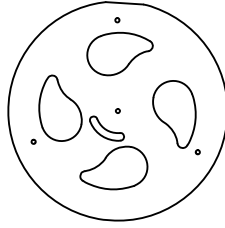
EP4741J



ET38414



ET38416



ET38415



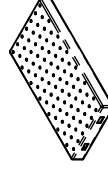
ET4145



MI323J



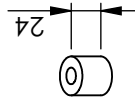
MI800



LA3305



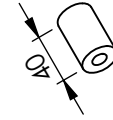
LI47102



MU2614



MU9001



MU2603

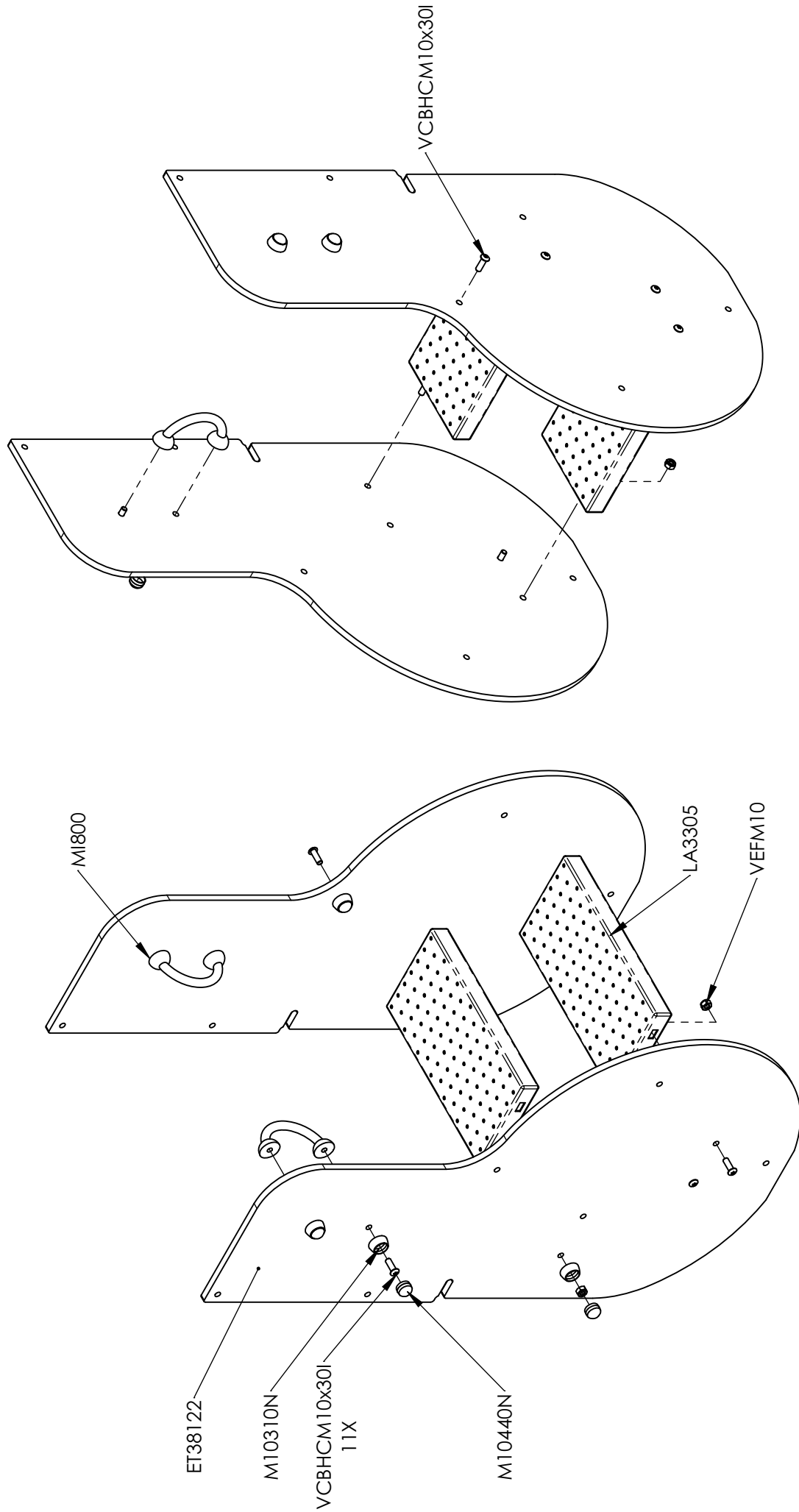


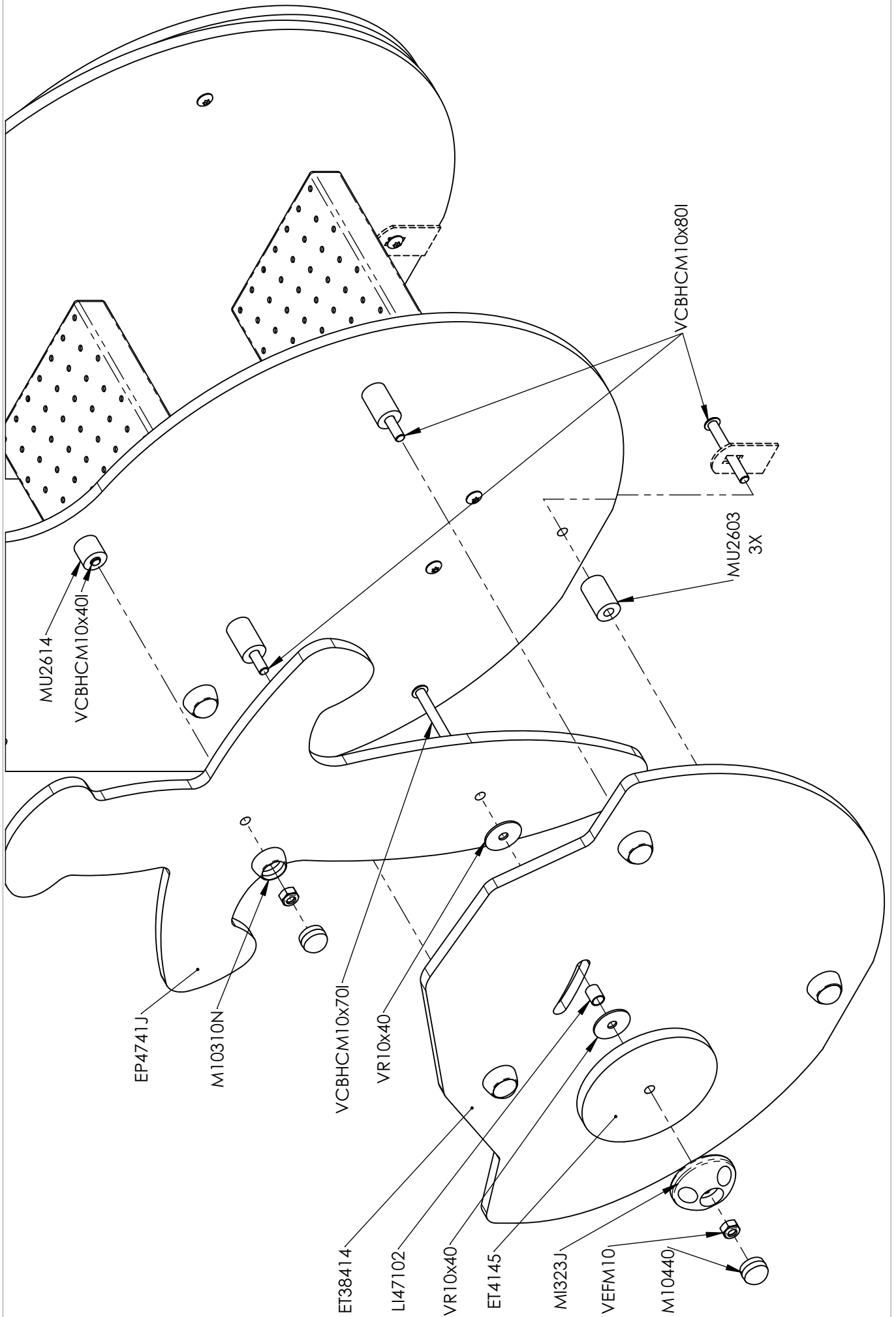
MU4700

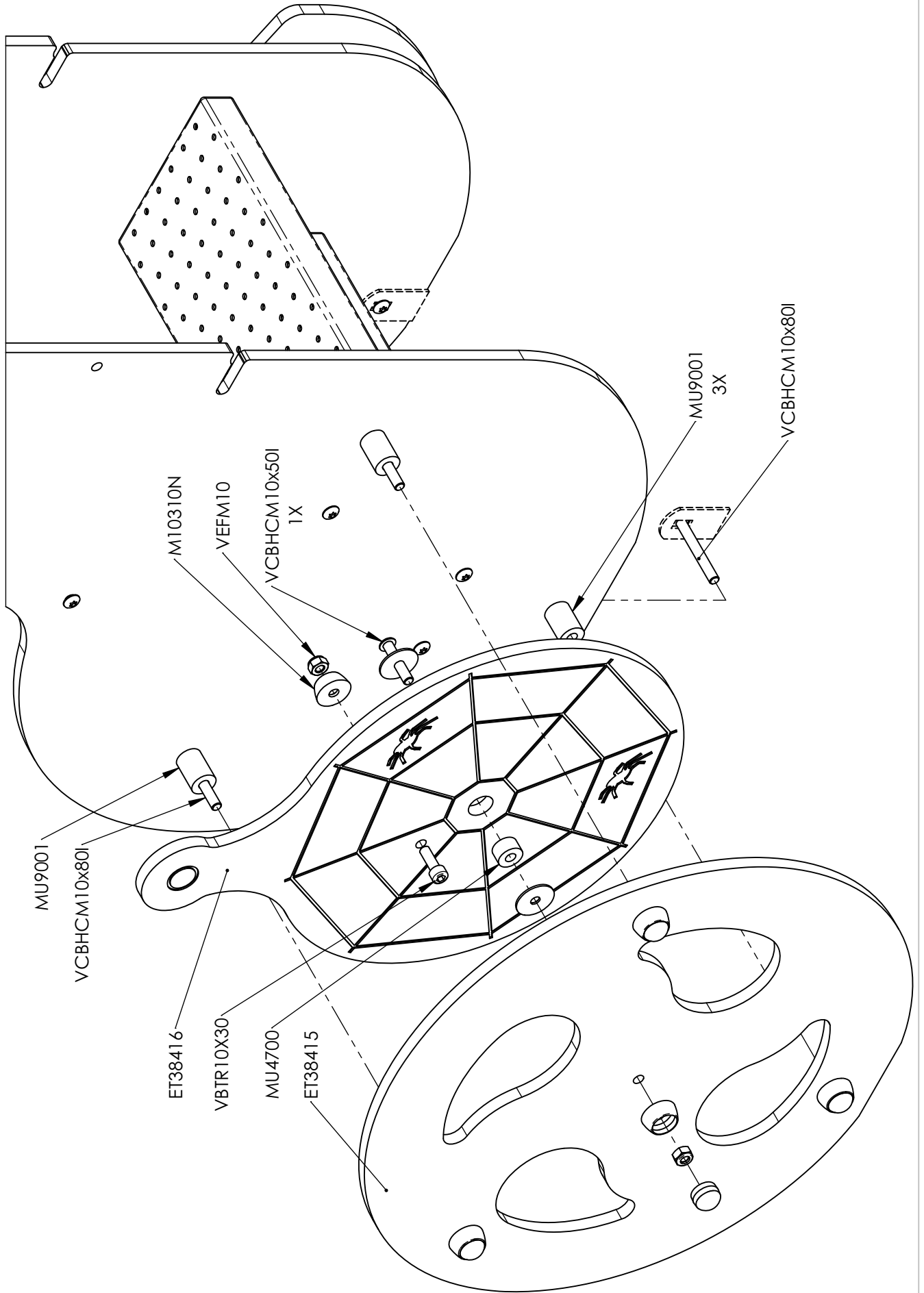


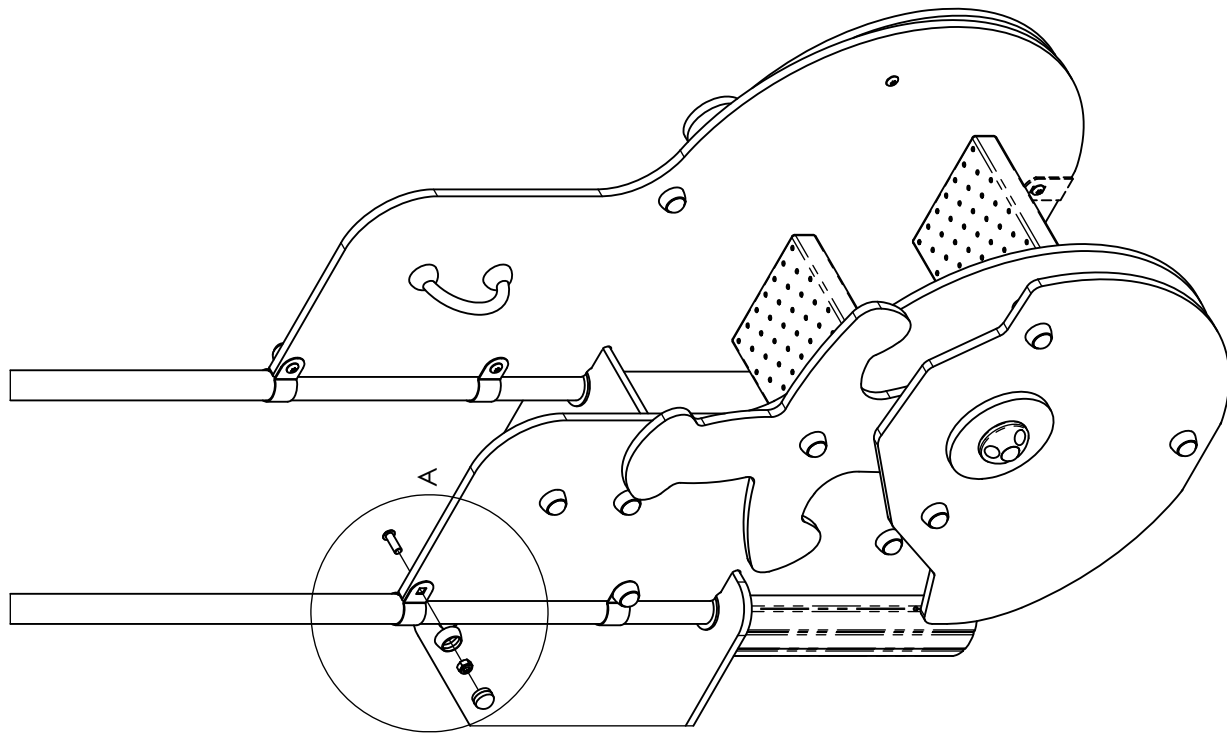
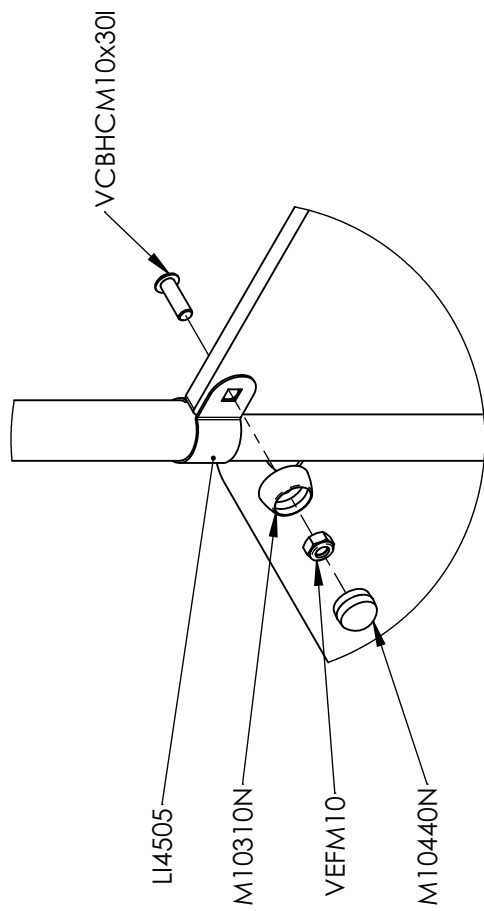
LI4505

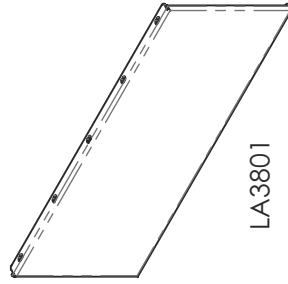
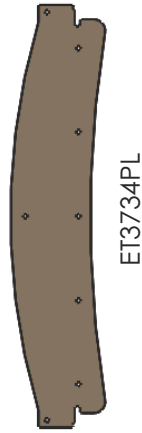
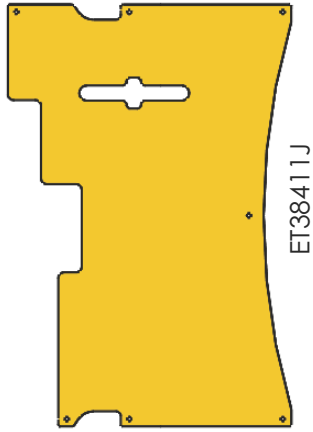
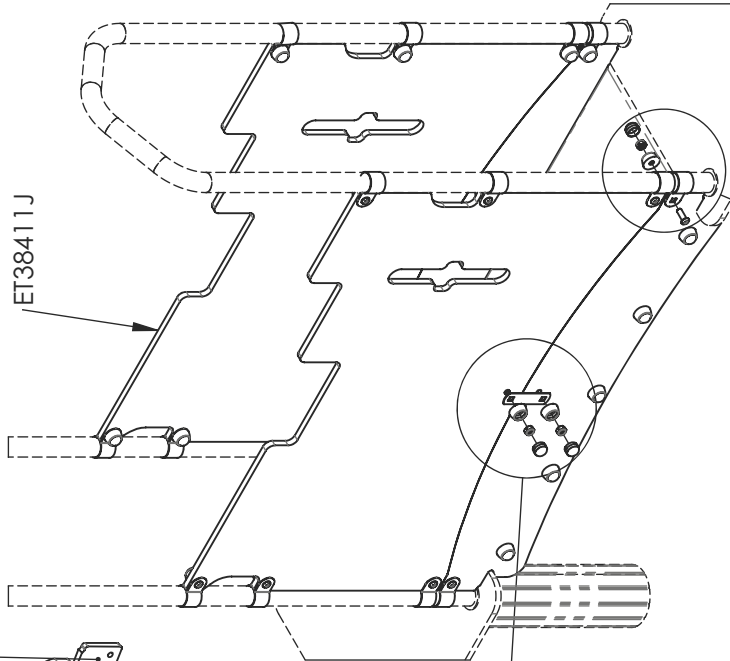
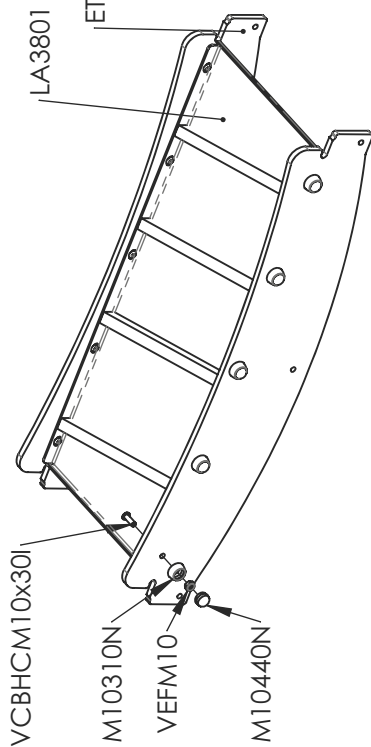
Réf	Qté
EP4741J	1
ET4145PL	1
ET38122PL	2
ET38414PL	1
ET38415J	1
ET38416PL	1
LA3305	2
LI4505	4
LI47102	1
M10310N	19
M10440N	19
MI323J	1
MI800	2
MU2603	3
MU2614	1
MU4700	1
MU9001	3
VBR10X30	1
VCBHC10X30I	15
VCBHC10X40I	1
VCBHC10X50I	1
VCBHC10X70I	1
VCBHC10X80I	6
VEFM10	21
VR10x40	4











LI4505



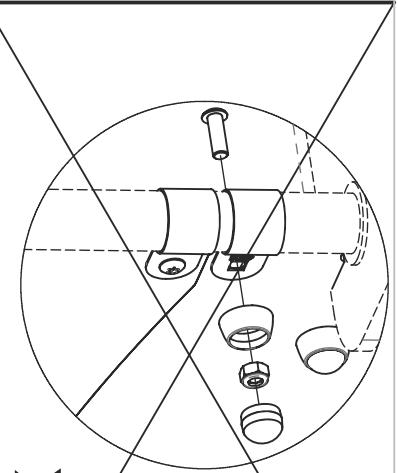
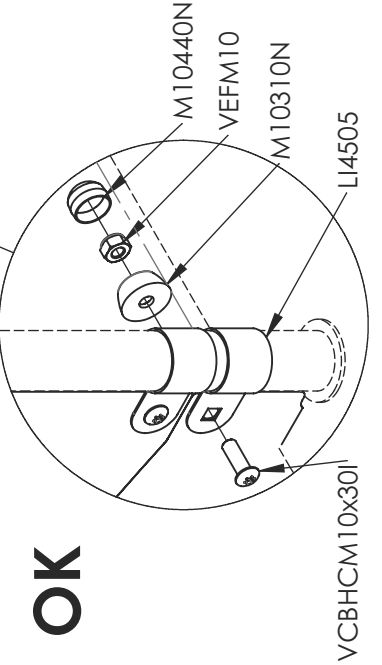
PI049

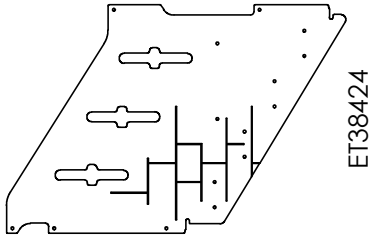
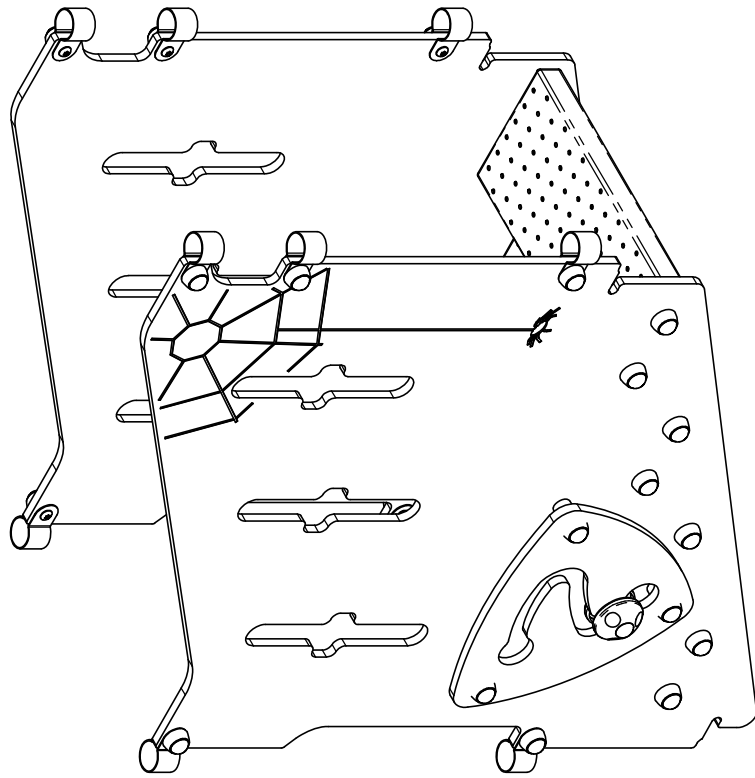


Réf	Qté
ET3734PL	2
ET38411J	2
LA3801	1
LI4505	16
M10310N	30
M10440N	30
PI049	2
VCBHCM10x30I	30
VEFM10	30

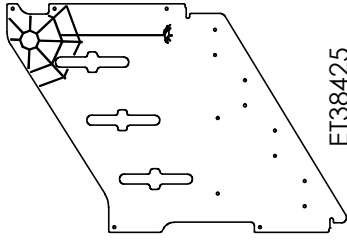
OK

NO OK

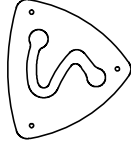




ET38424



ET38425



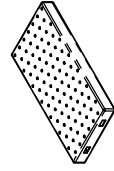
ET38406



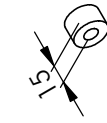
MI323J



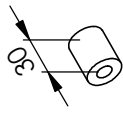
LI4505



LA3305

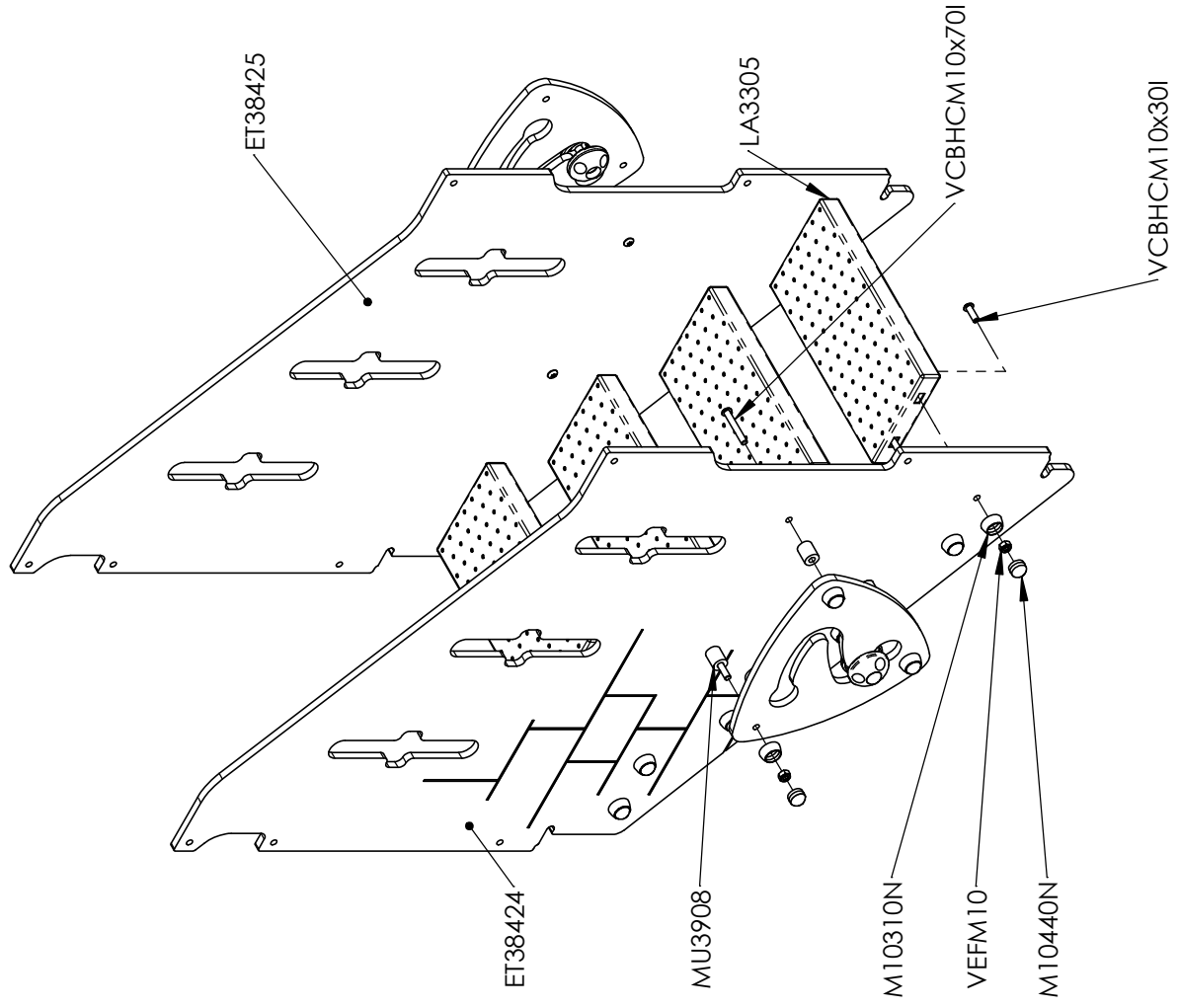
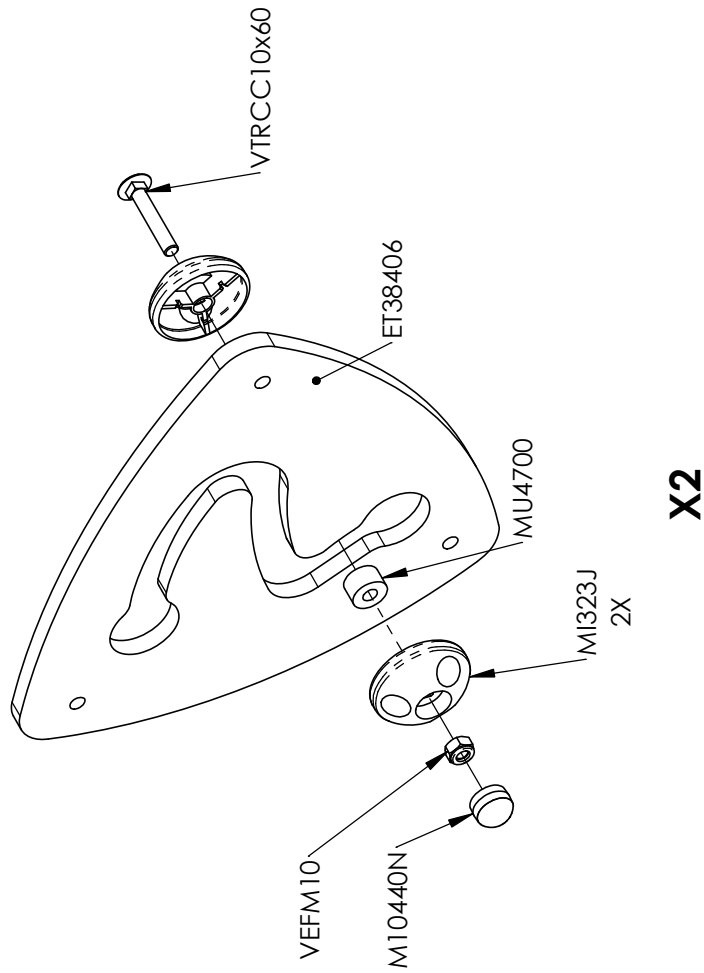


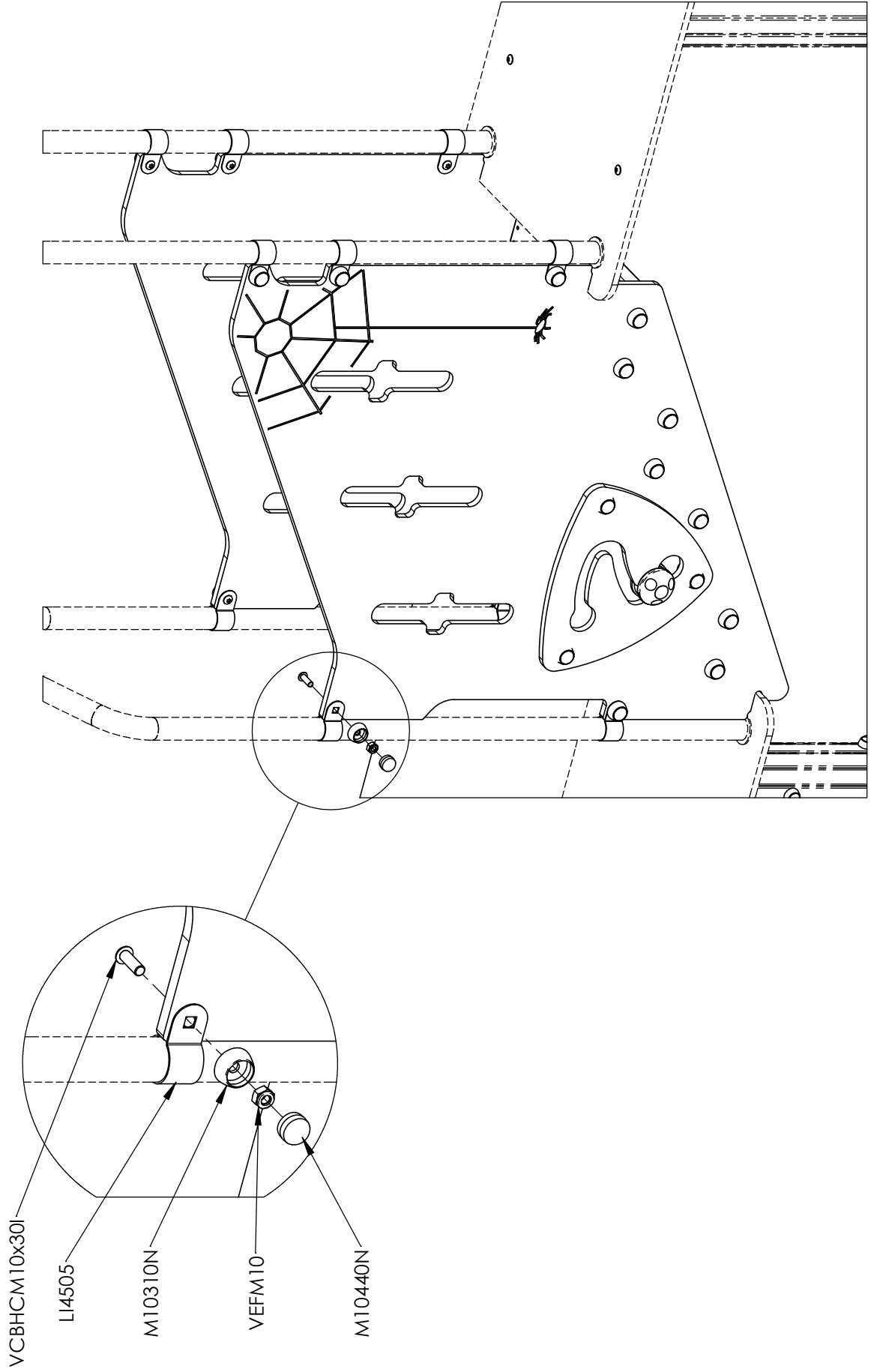
MU4700

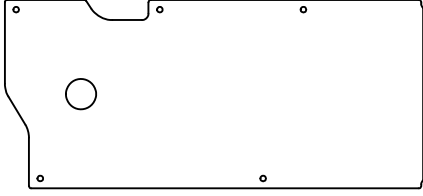
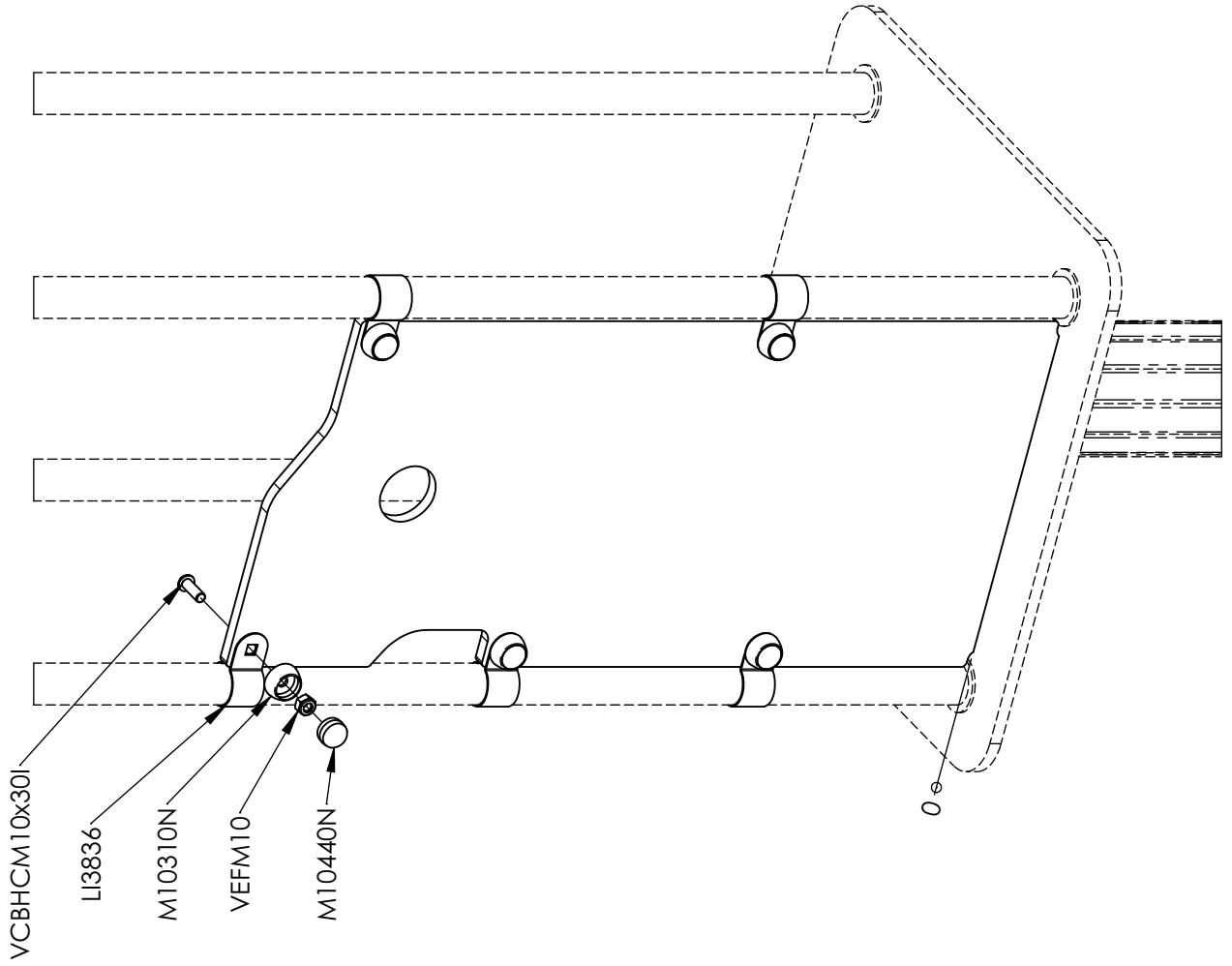


MU3908

Réf	Qté
ET38406J	2
ET38425PL	1
ET38424PL	1
M10310N	30
M10440N	32
MI323J	4
MU3908	6
MU4700	2
VCBHC10x30I	24
VCBHC10x70I	6
VEFM10	32
VTRCC10x60	2
LI4505	10
LA3305	4





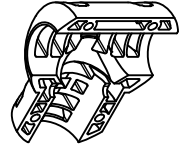
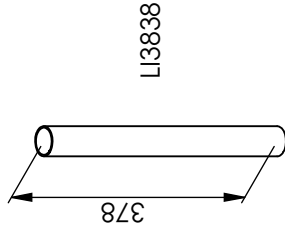
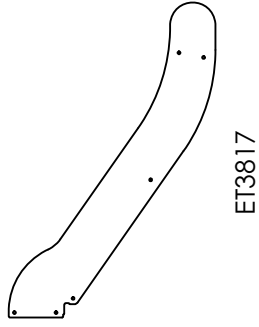
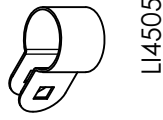
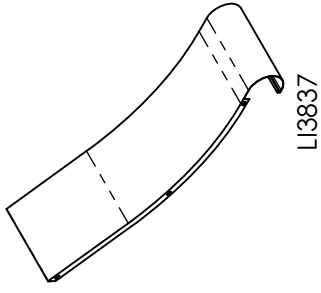
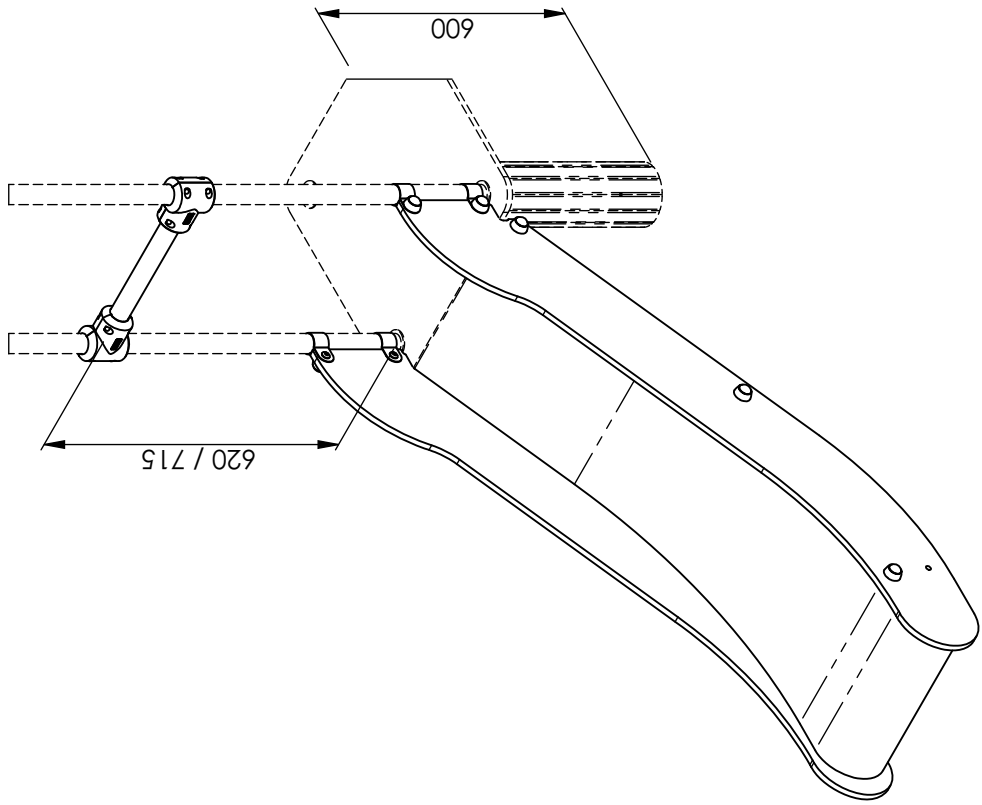


ET38123



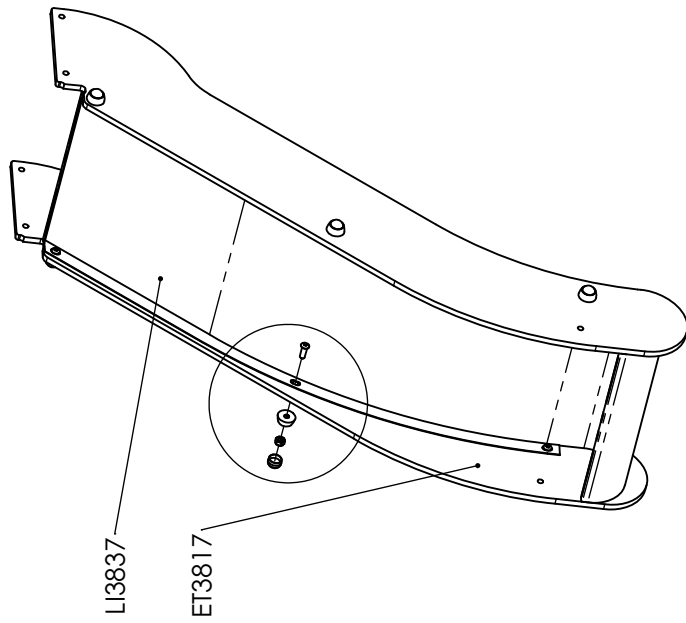
LI4505

Réf	Qté
ET38123PL	1
LI4505	5
M10310N	5
M10440N	5
VCBHCM10x30I	5
VEFM10	5

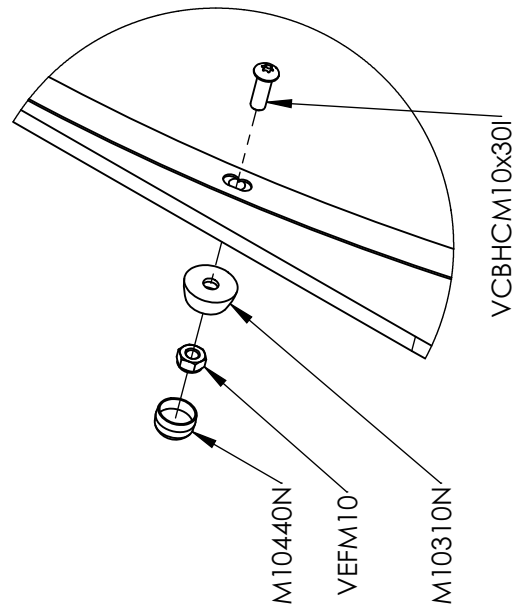
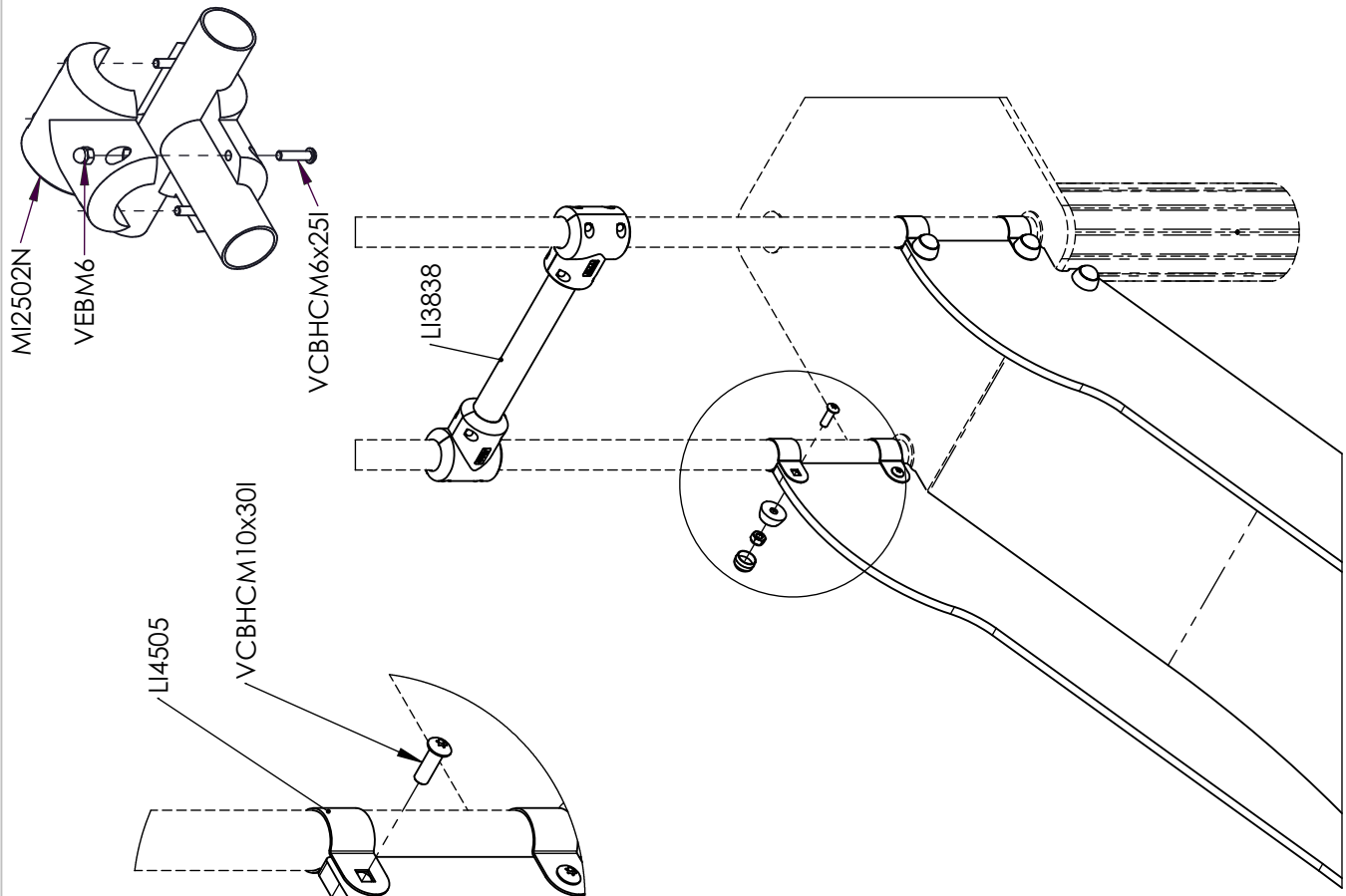
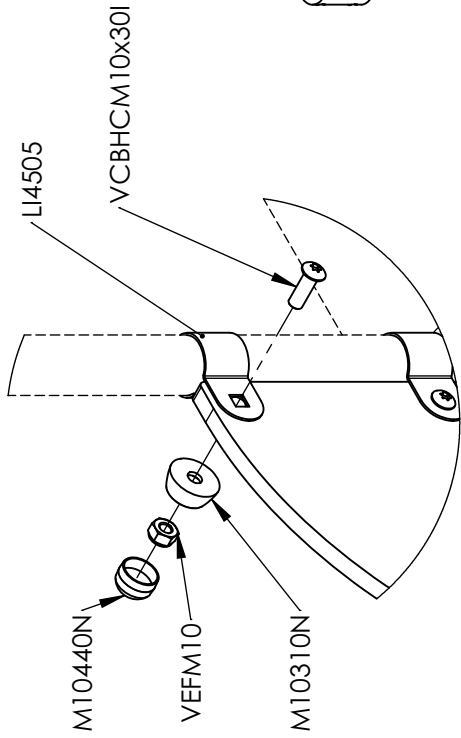


Réf	Qté
ET3817PL	2
LI3837	1
LI3838	1
LI4505	4
M10310N	10
M10440N	10
MI2502N	4
VCBHCM6x25I	8
VCBHCM10x30I	10
VEFM10	10
VEBM6	8

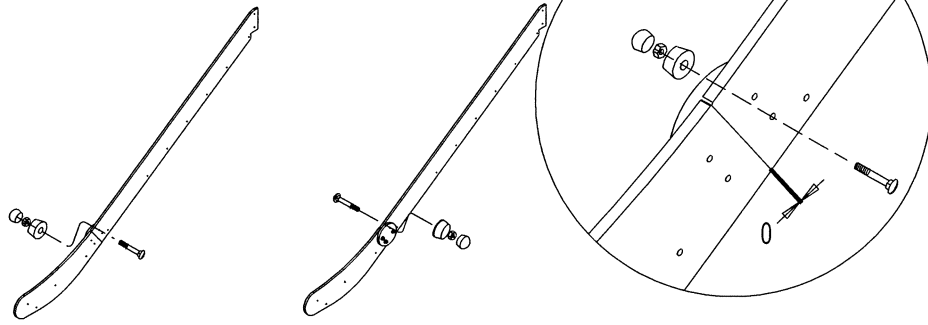
①



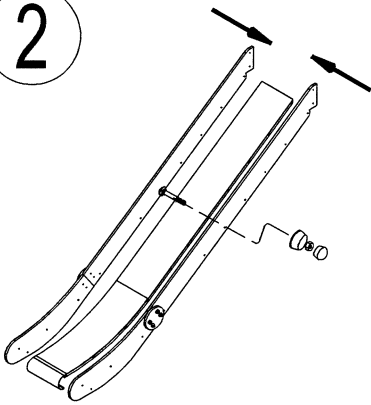
②



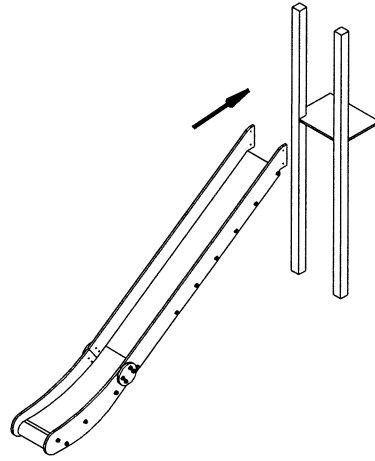
1



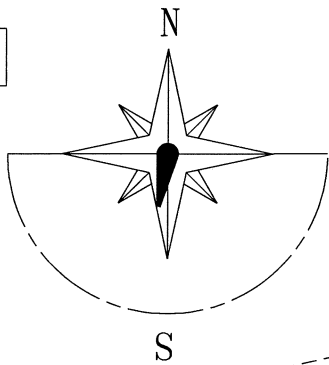
2



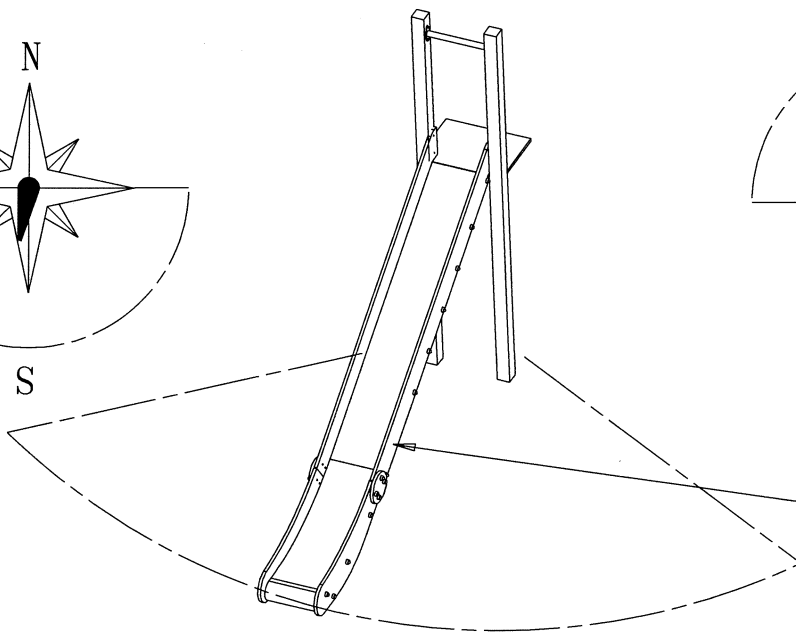
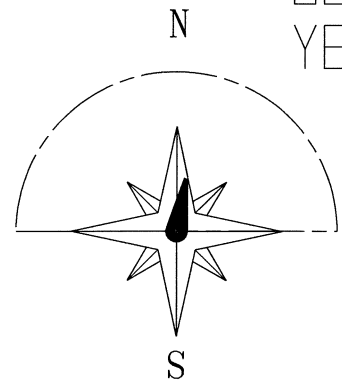
3



NON
NO

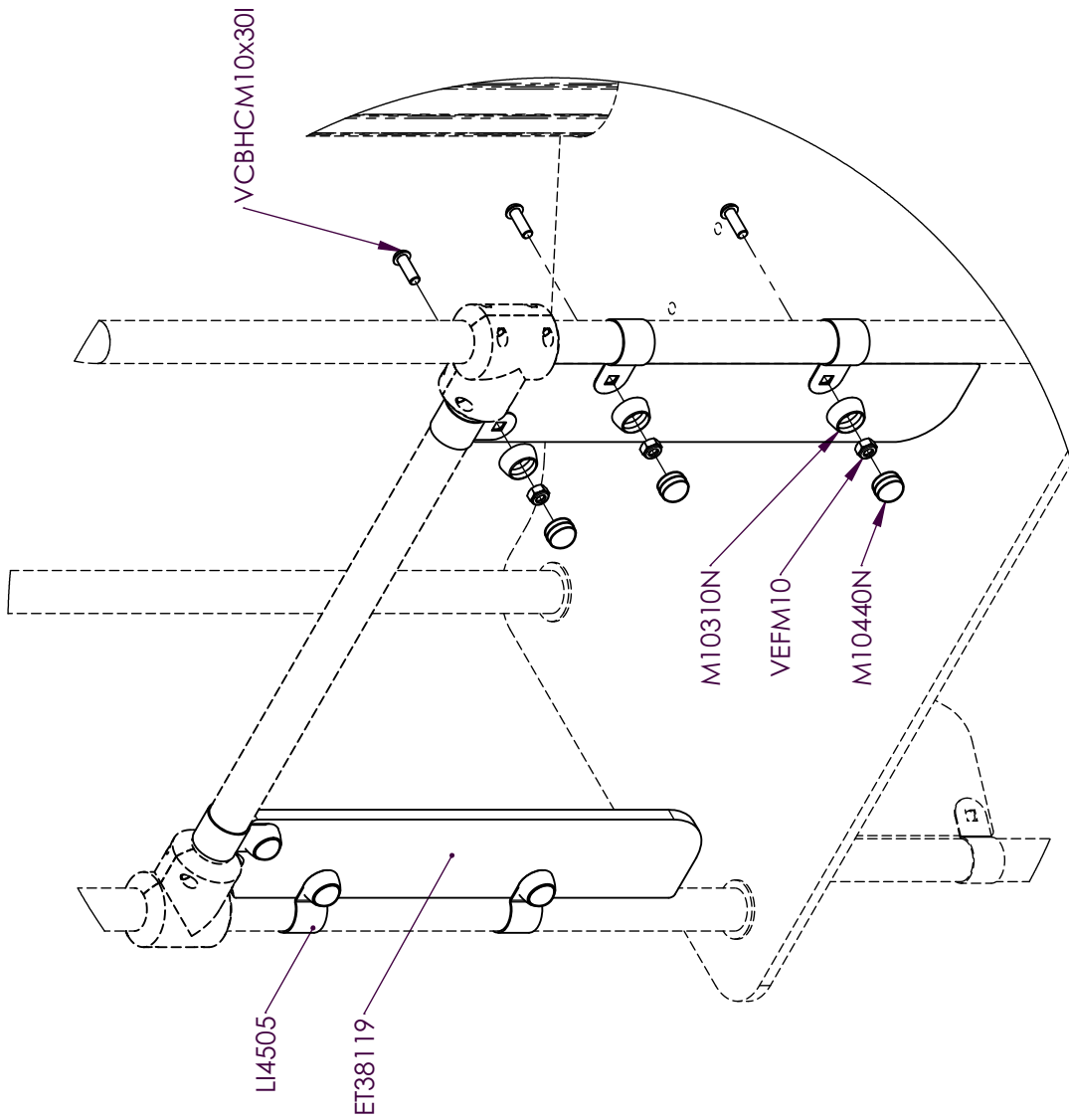


OUI
YES

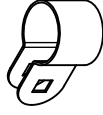


FR

Il est recommandé de ne pas orienter la glissière Sud / Sud Ouest

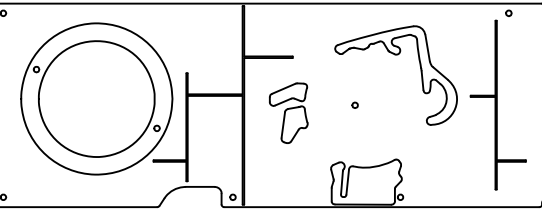
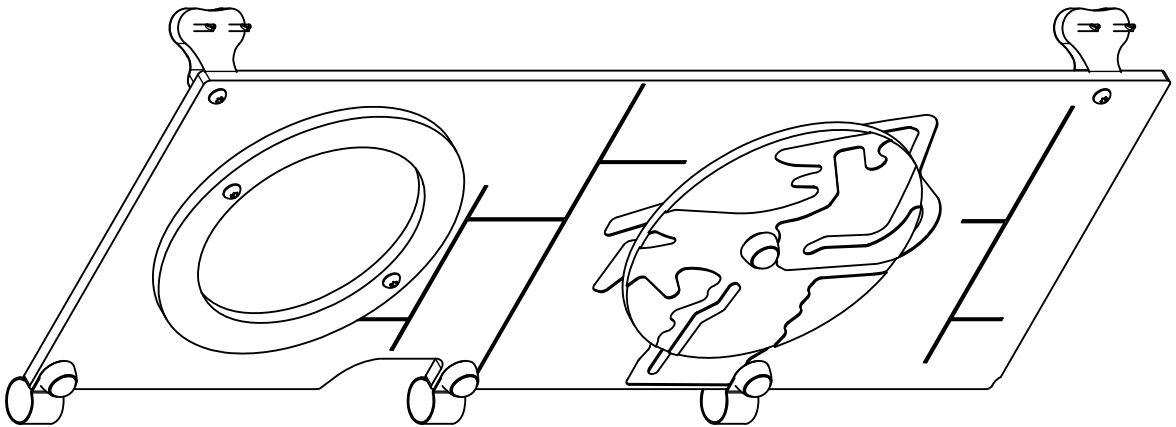


ET38119



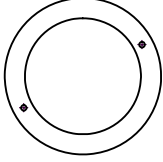
LI4505

Réf	Qté
ET38119PL	2
LI4505	6
M10310N	6
M10440N	6
VCBHCM10x30I	6
VEFM10	6



ET38420

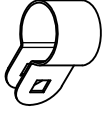
ET38423



M14700



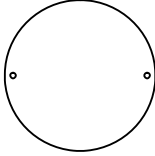
L14505



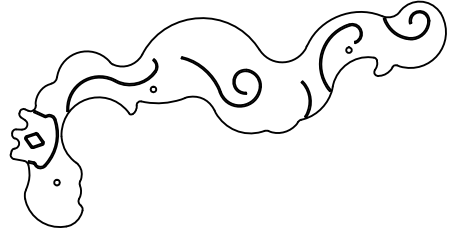
L13929



EM38411



ET38422



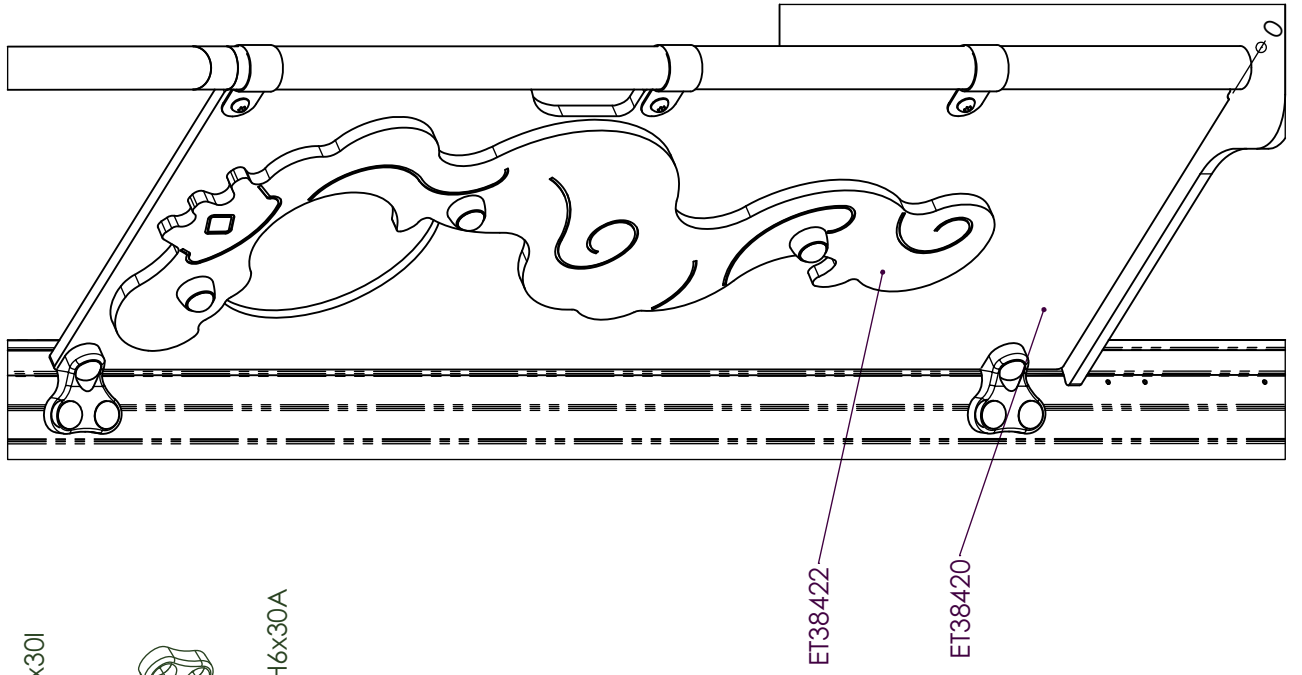
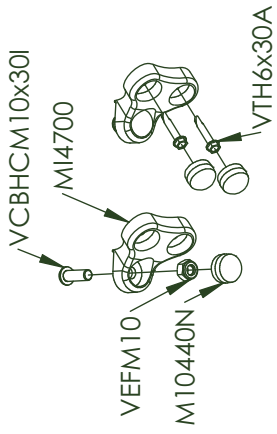
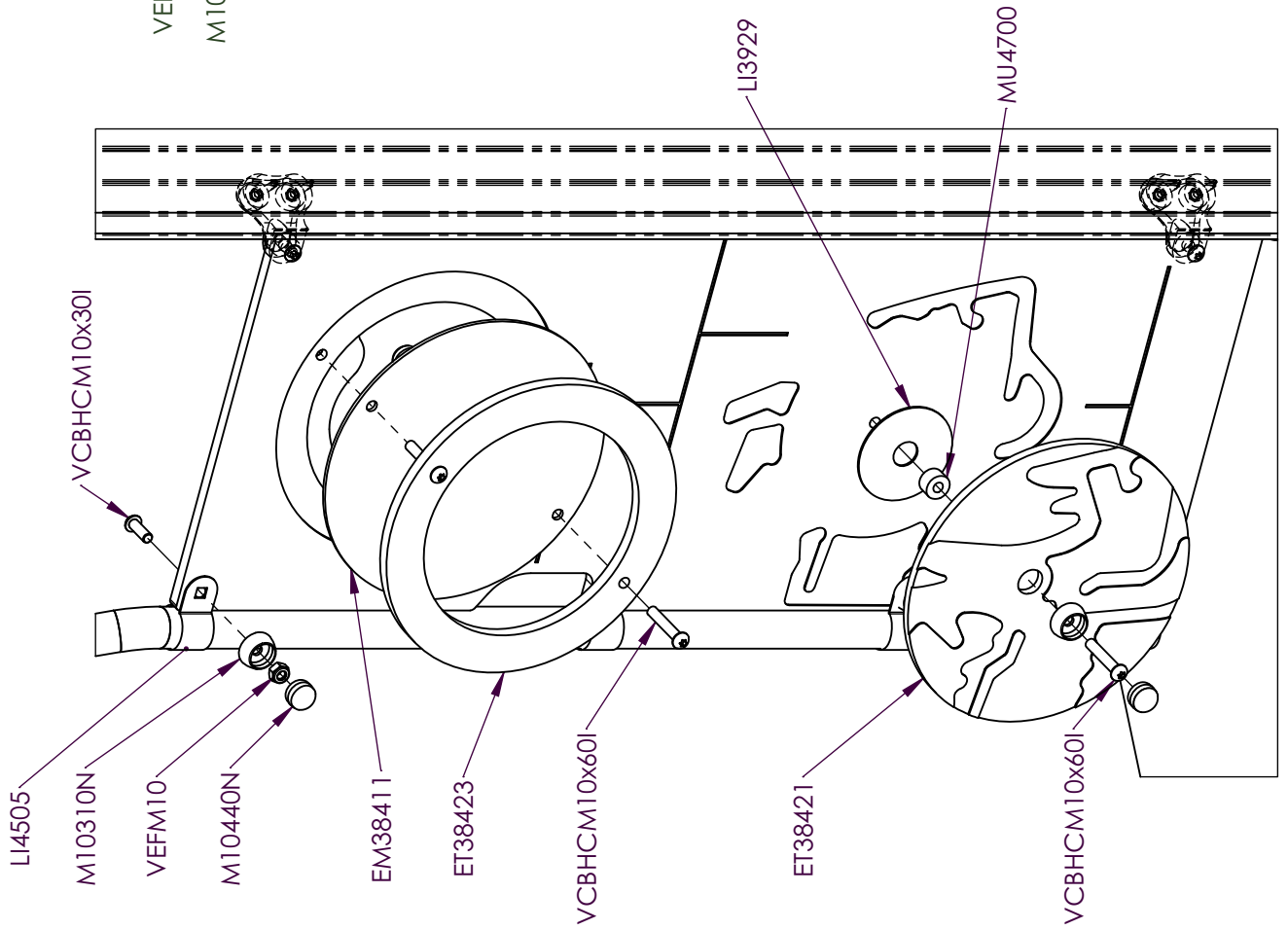
ET38421

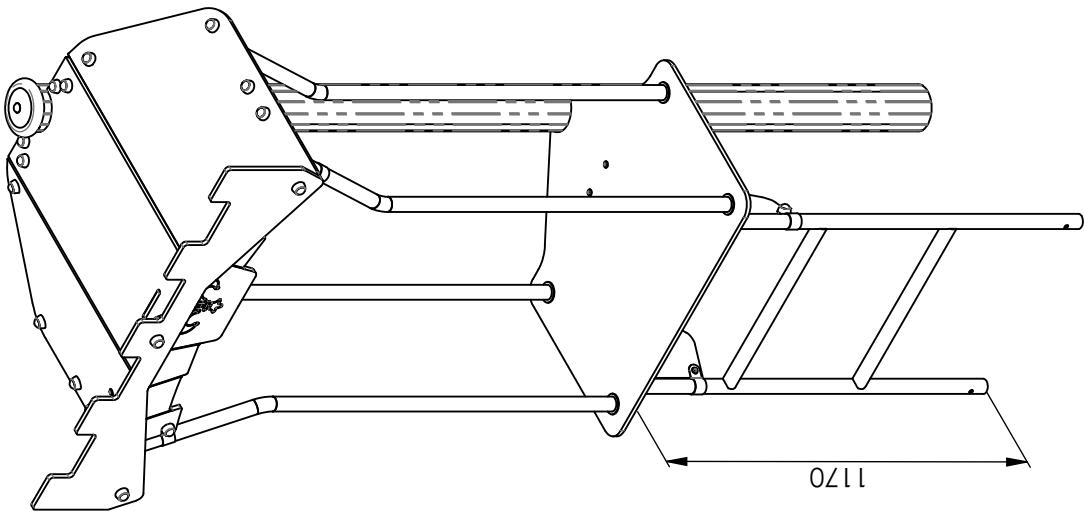
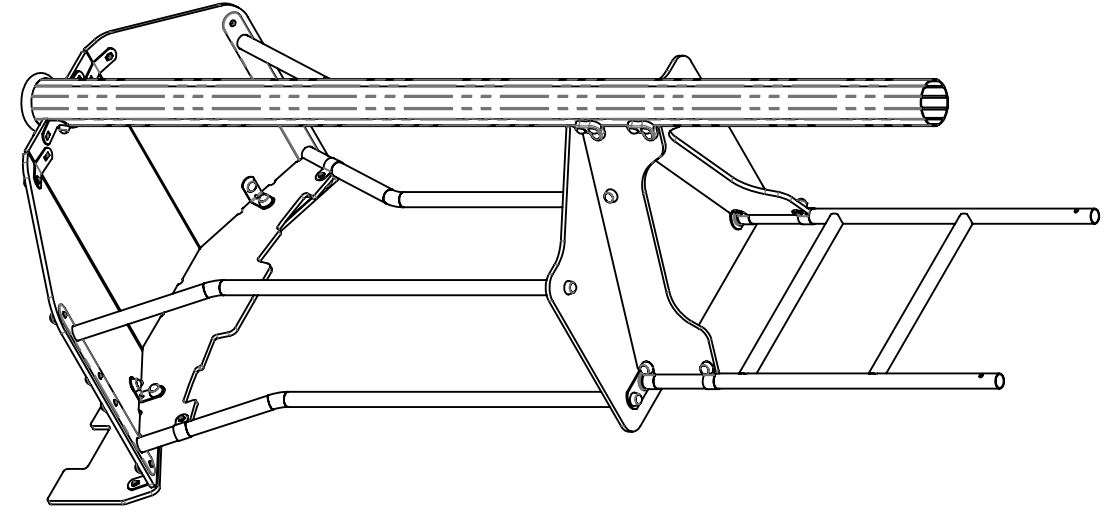


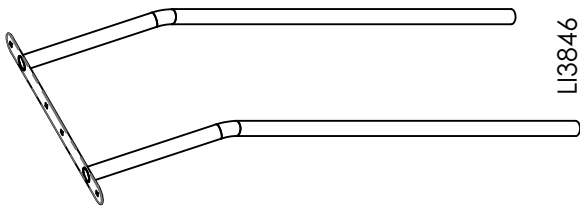
MU4700



Réf	Qté
EM38411	1
ET38420PL	1
ET38421PL	1
ET38422J	1
ET38423PL	1
L13929	1
L14505	3
M10310N	7
M10440N	13
M14700	2
MU4700	1
VCBHC10x30I	5
VCBHC10x60I	3
VEFM10	8
VTH6x30A	4







LI3846



LGP3806A



MI4700



LI4505



MI0250



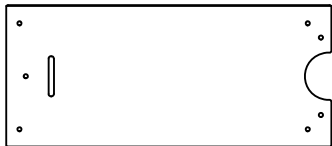
P13



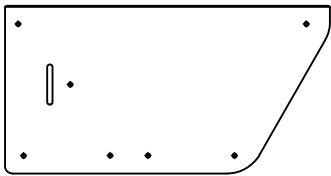
P150



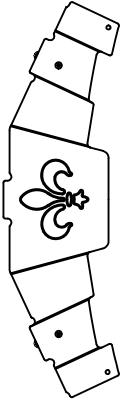
LP3800N



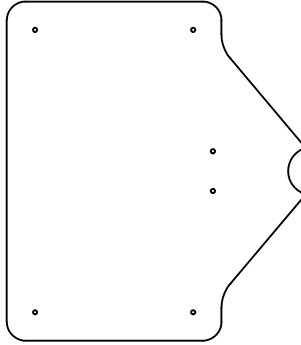
ET38300PL



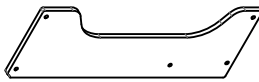
ET38325PL



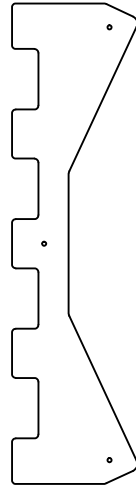
ET38426



FT3833

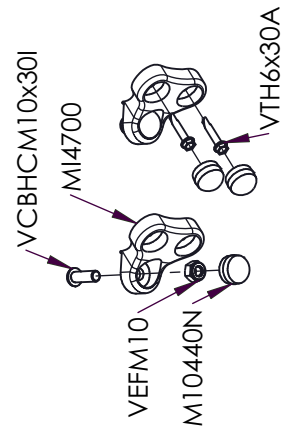
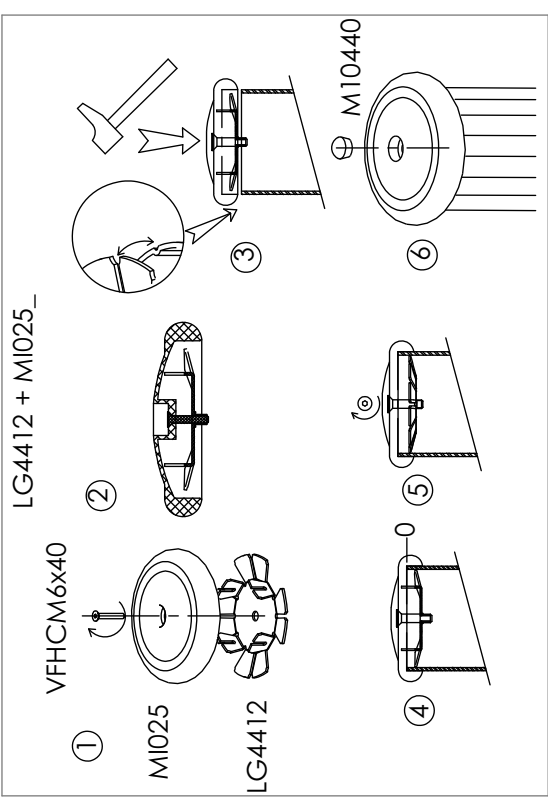
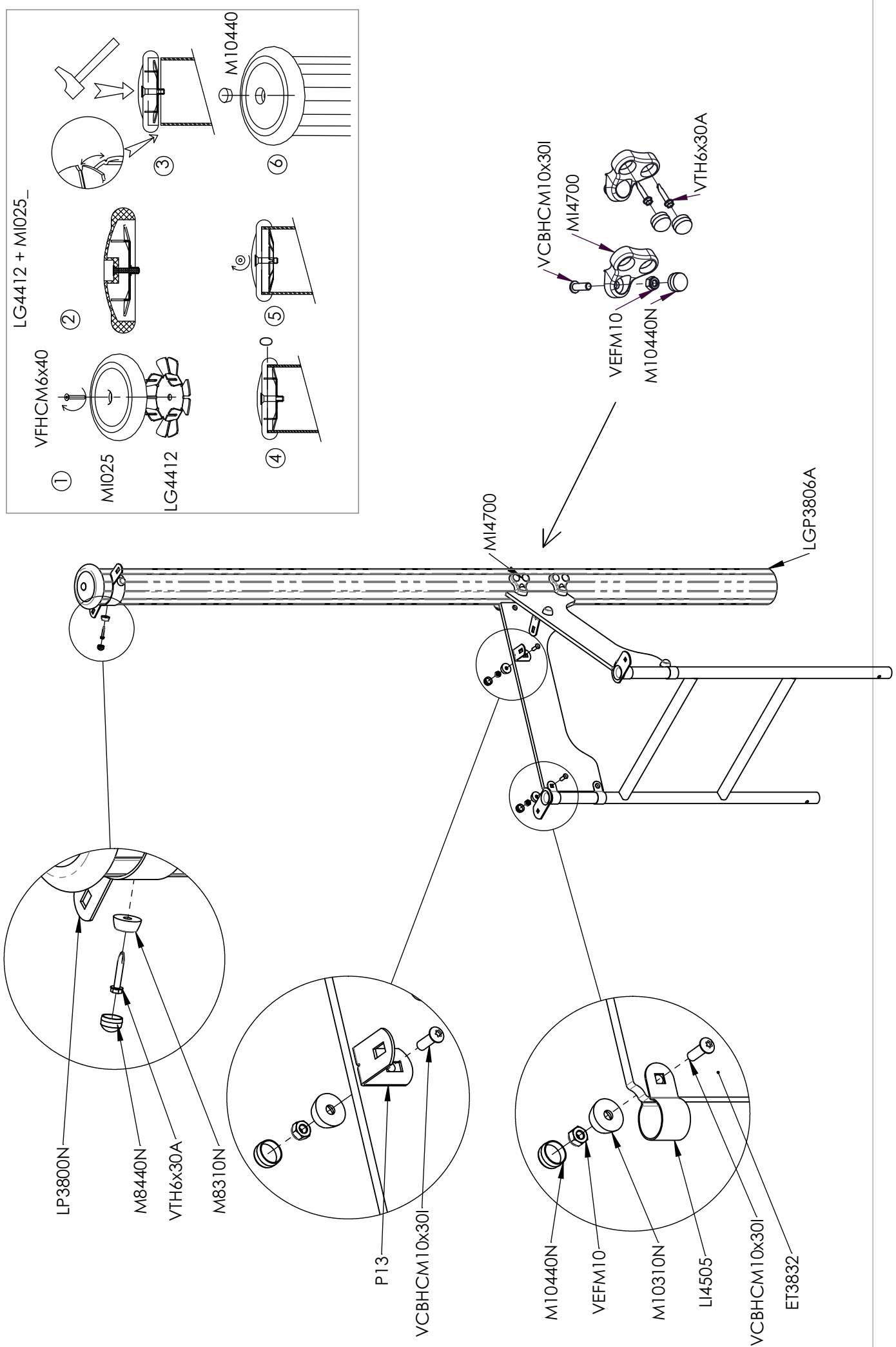


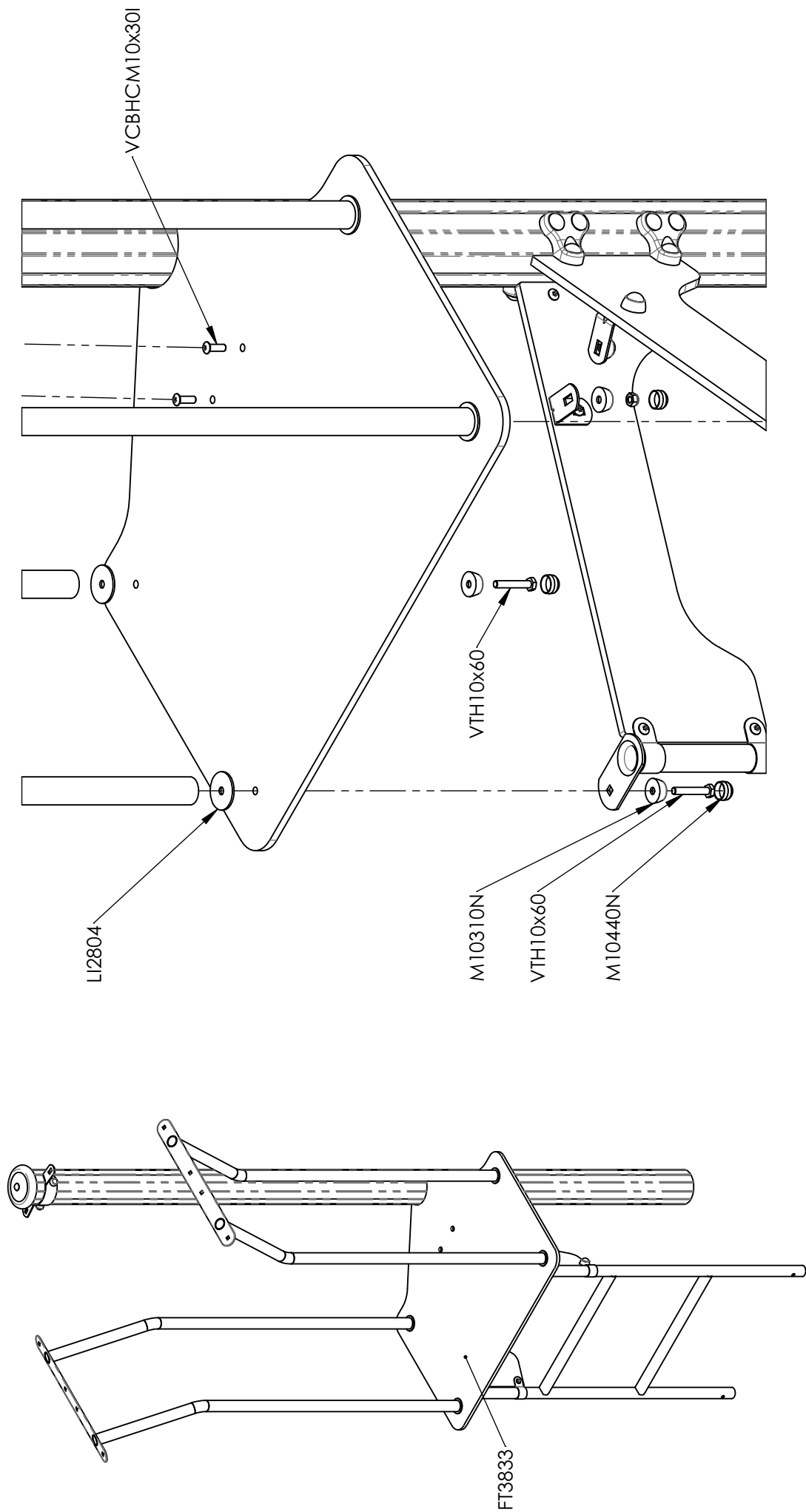
ET3832VX

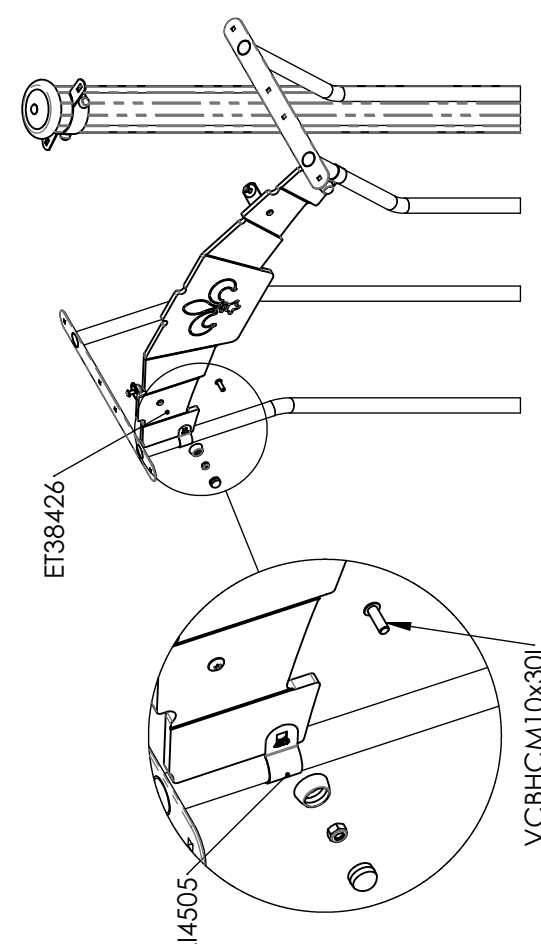
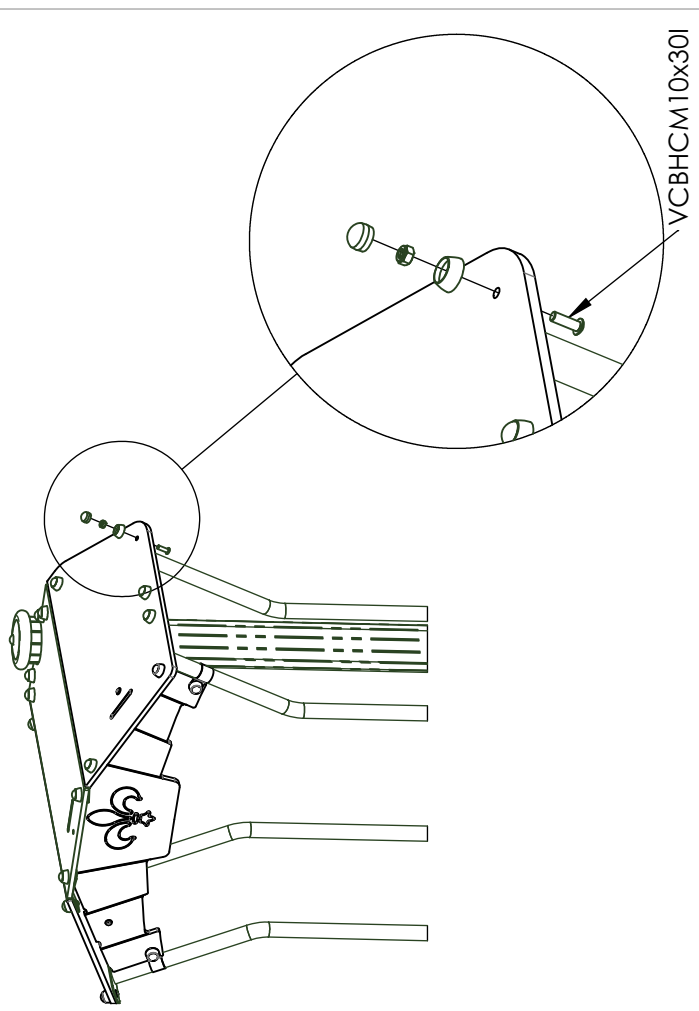
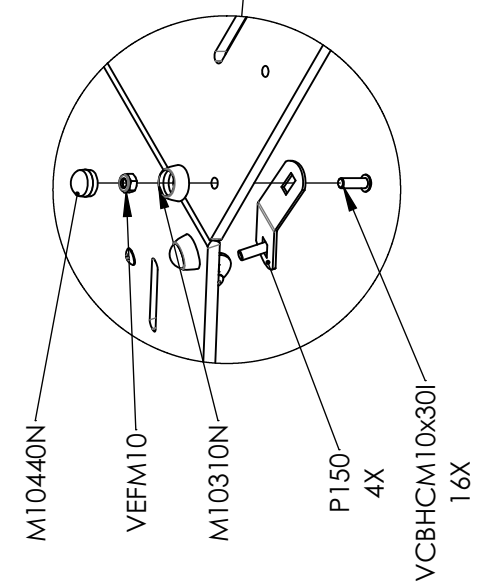
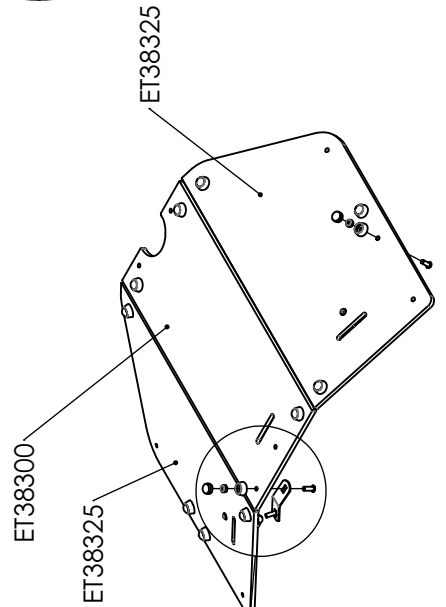
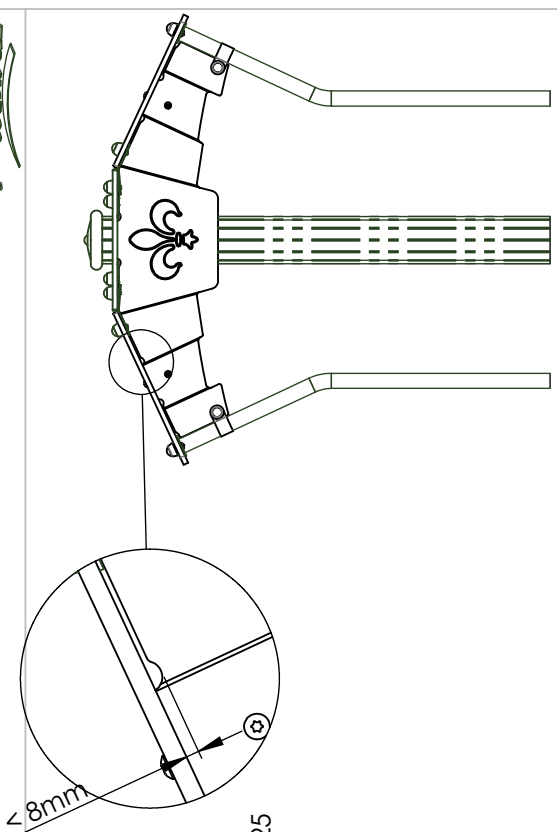


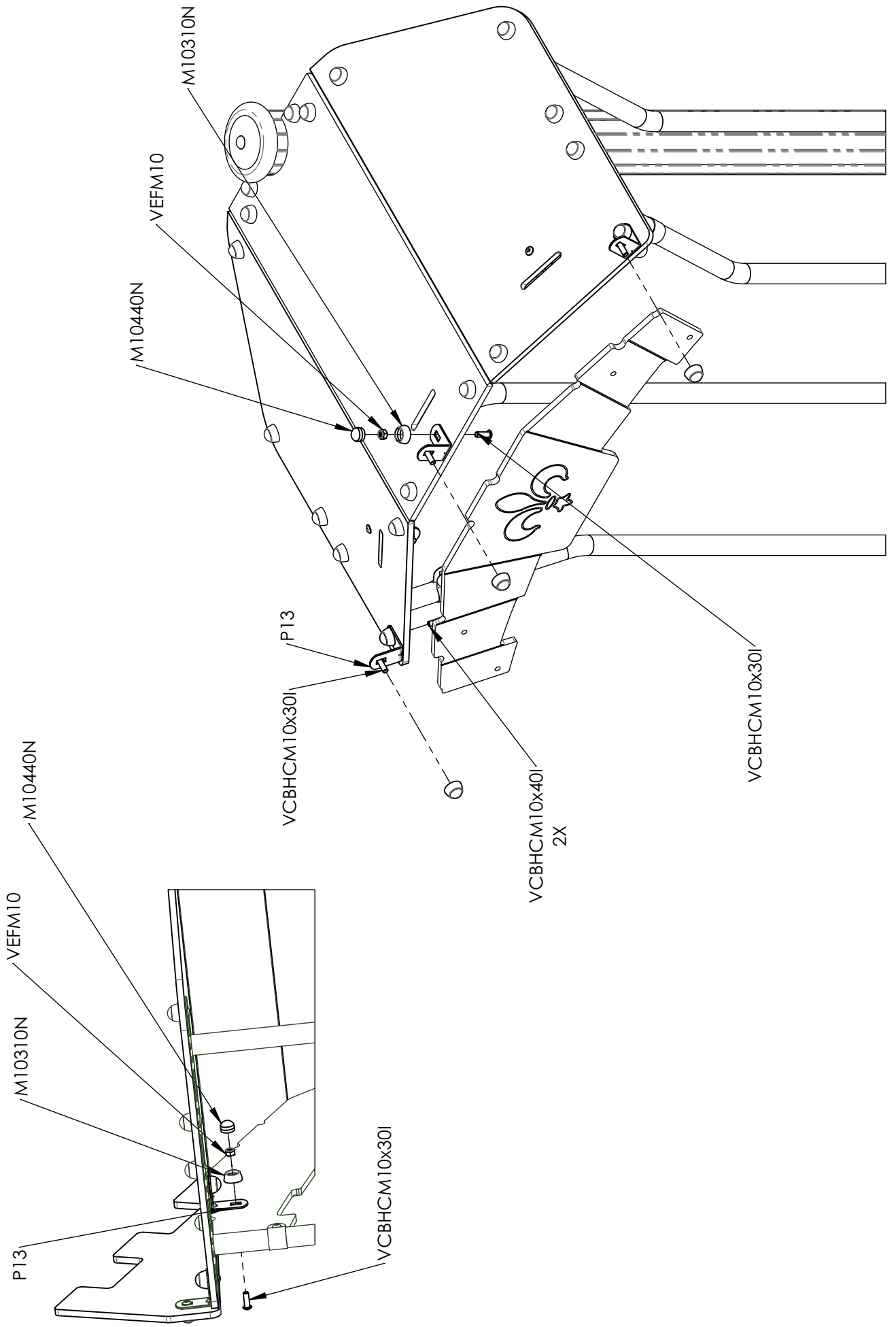
ET38404

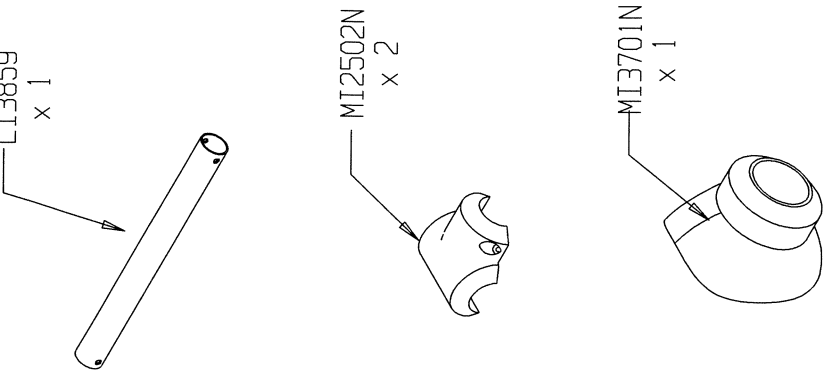
Réf	Qté
ET3832PL	2
ET38300PL	1
ET38325PL	2
ET38404J	1
ET38426PL	1
FT3833	1
LG4412	1
LG4502	2
LGP3806A	1
LI2804	4
LI3855	1
LI3858	2
LI4505	6
LP3800N	1
M8310N	2
M8440N	2
M10310N	40
M10440N	53
MI025N	1
MI4700	4
P13	7
P150	4
VCBHC8M8x50I	2
VCBHC8M10x30I	38
VCBHC8M10x40I	2
VEFBM8	2
VEFM10	40
VFHC6M6x40	1
VTH6x30A	10
VTH10x60	4



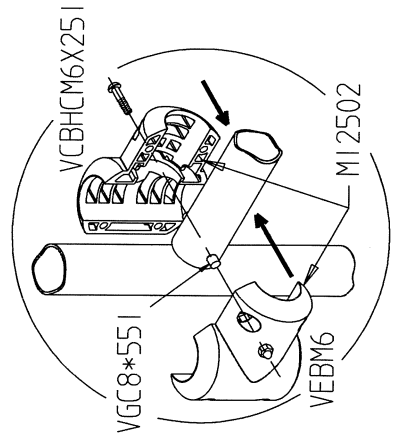
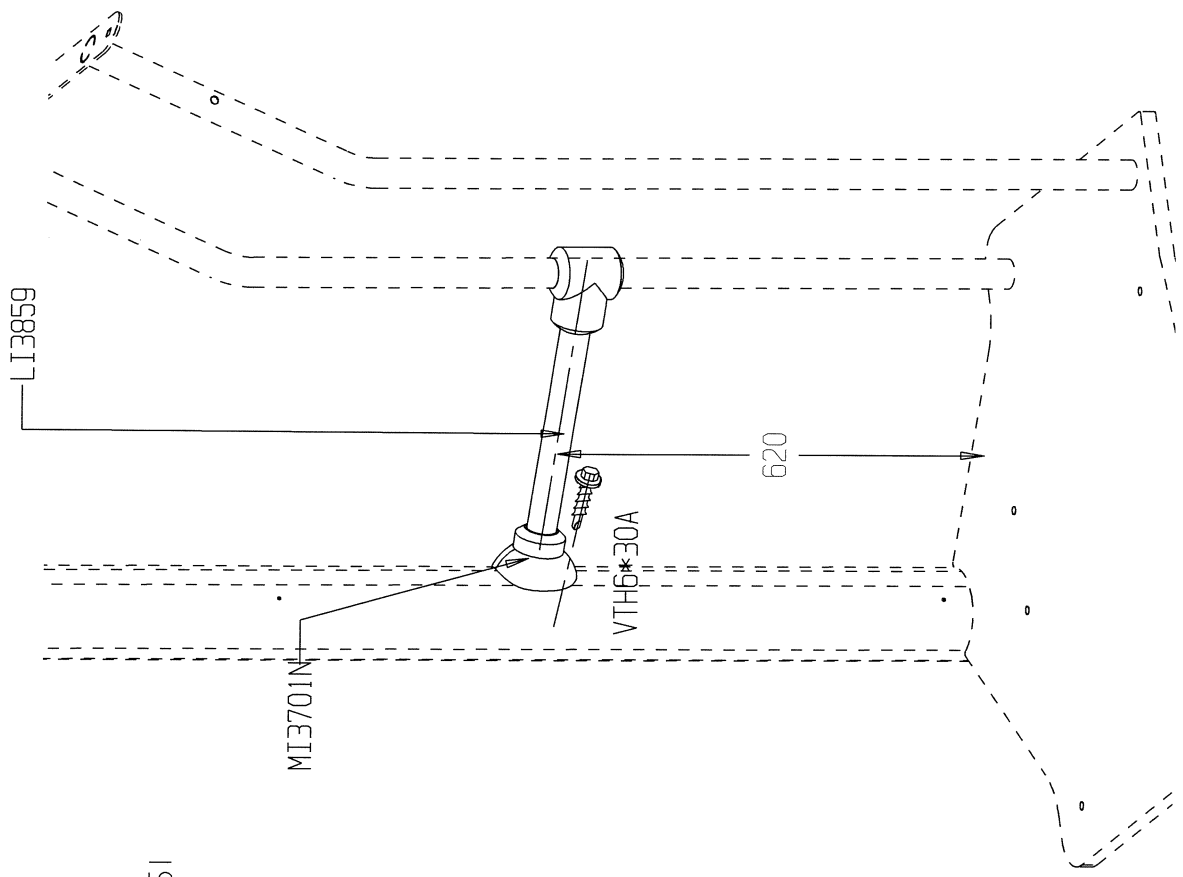


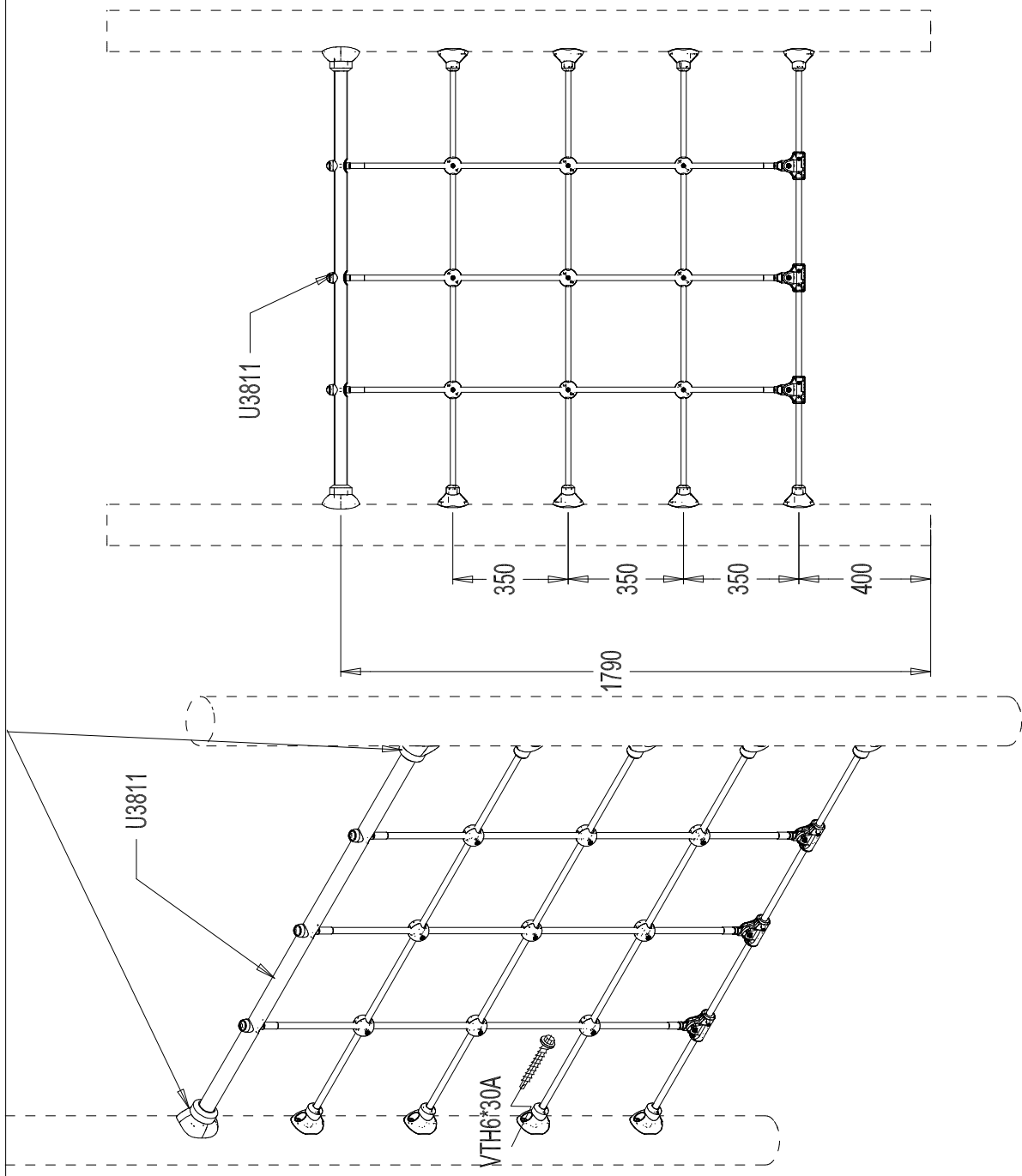
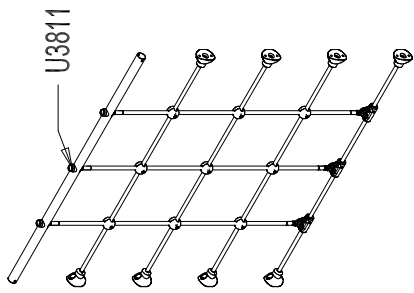
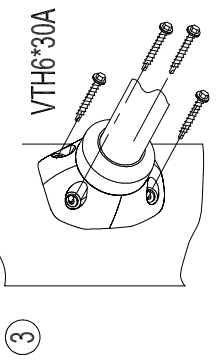
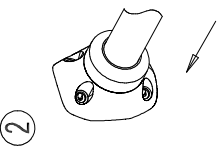
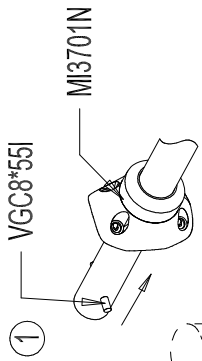






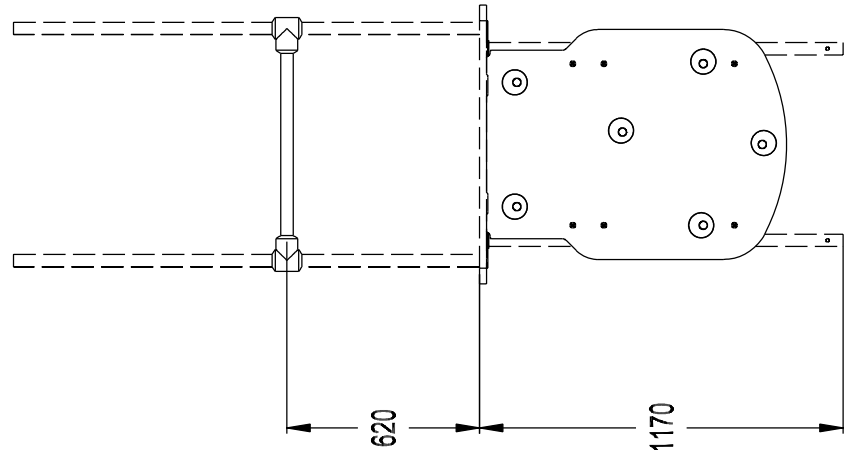
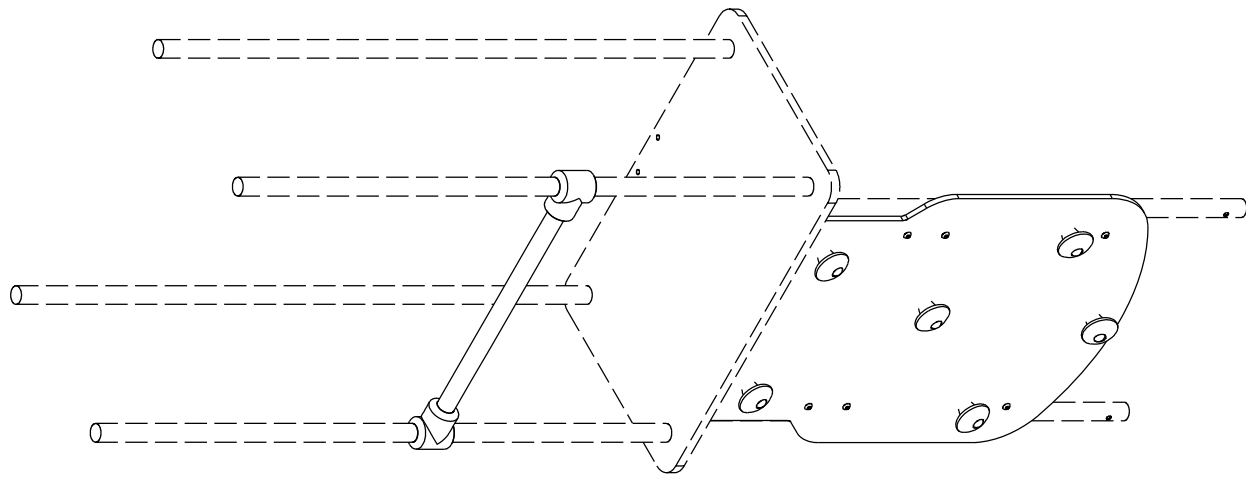


	VGC8*55I	2
	VEBM6	4
	VCBHC6*25I	4
	VTH6*30A	4

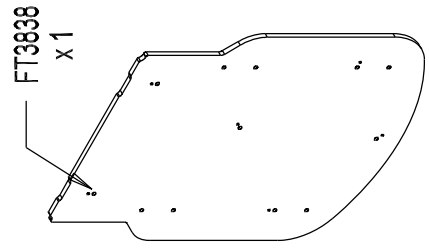




	VGC8*55I	2
	VTH 6x30A	24
	M13701N	2



LI3740
x1

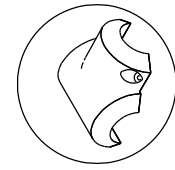


FT3838
x1

MI3800VX x2
MI3800J x2
MI3800O x2

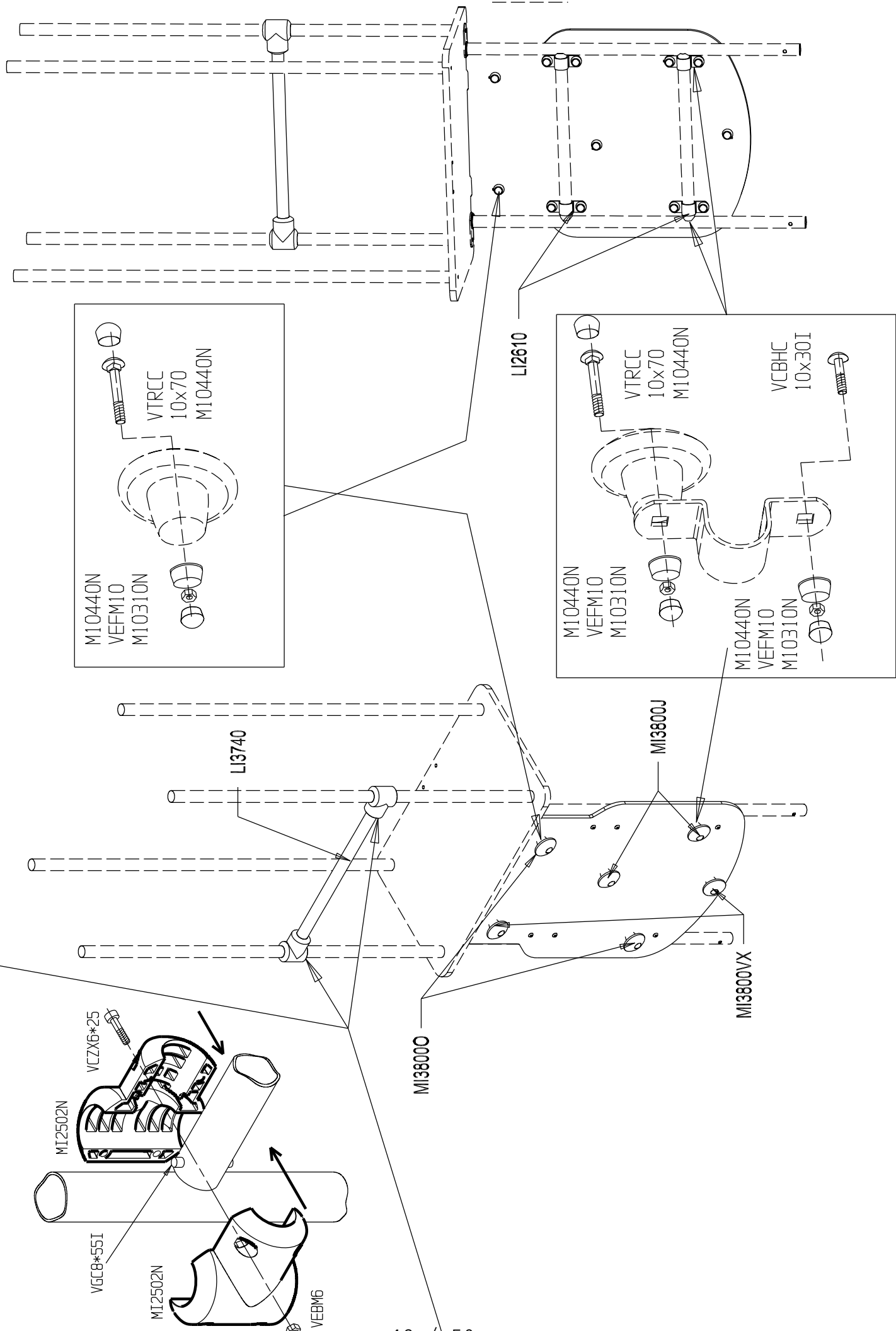


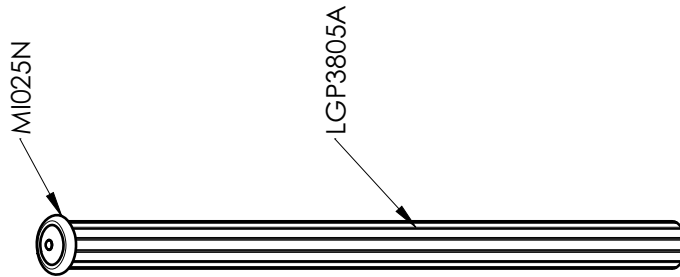
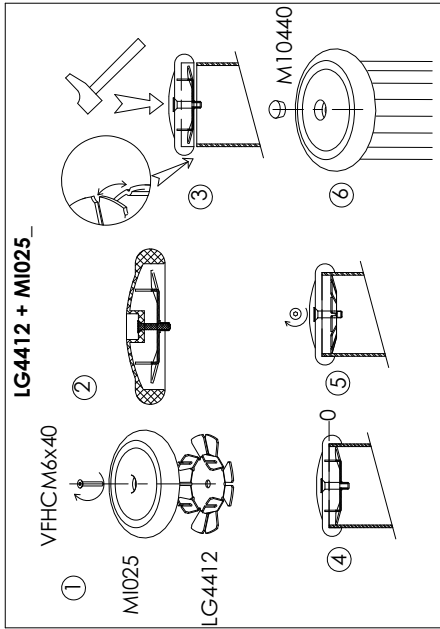
LI2610
x4



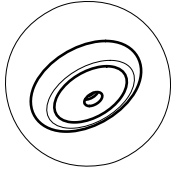
MI2502N x4

	VCZX 6x25	8
	VEBM6	8
	VCBHC10*30I	6
	VTRCC10x70	6
	M10310N	12
	M10440N	18
	VEFM10	12

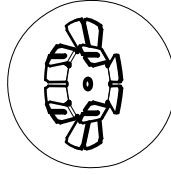




LGP3805A

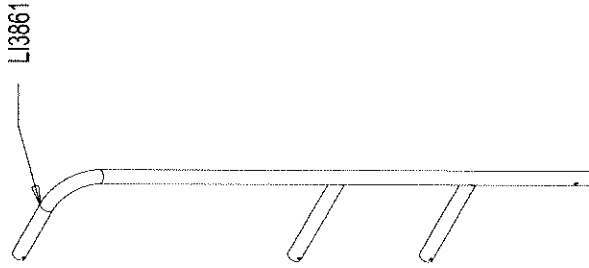
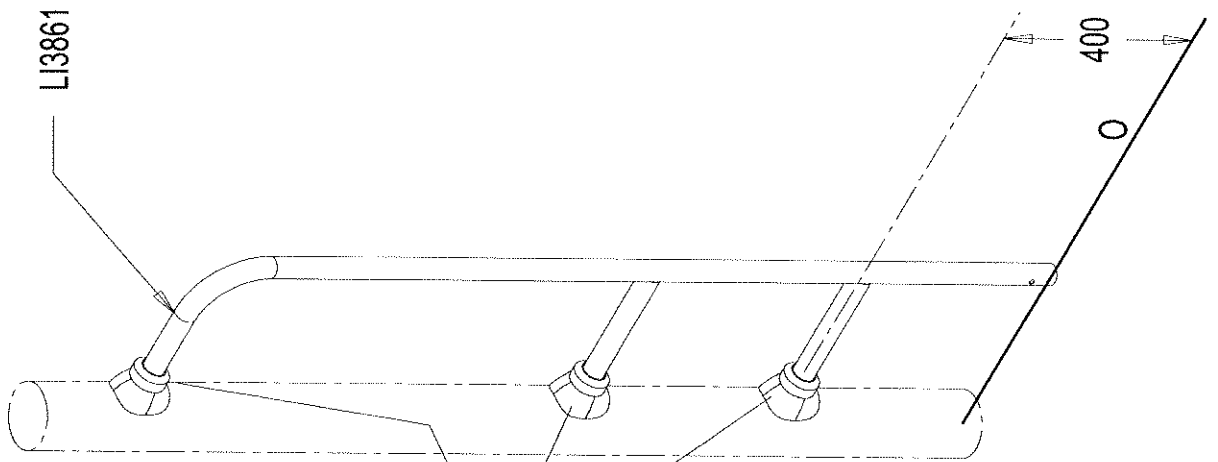
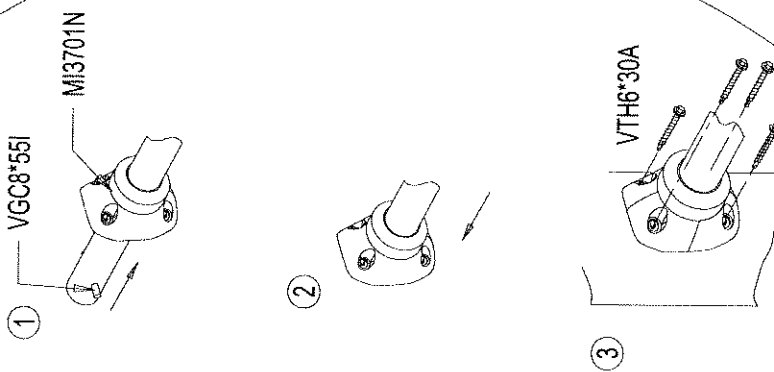



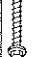

MI025



LG4412

Réf	Qté
LG4412	1
LGP3805A	1
M10440N	1
MI025N	1
VFHCM6x40	1



	VGC8*55I	3
	VTH 6x30A	12
	MI3701N	3