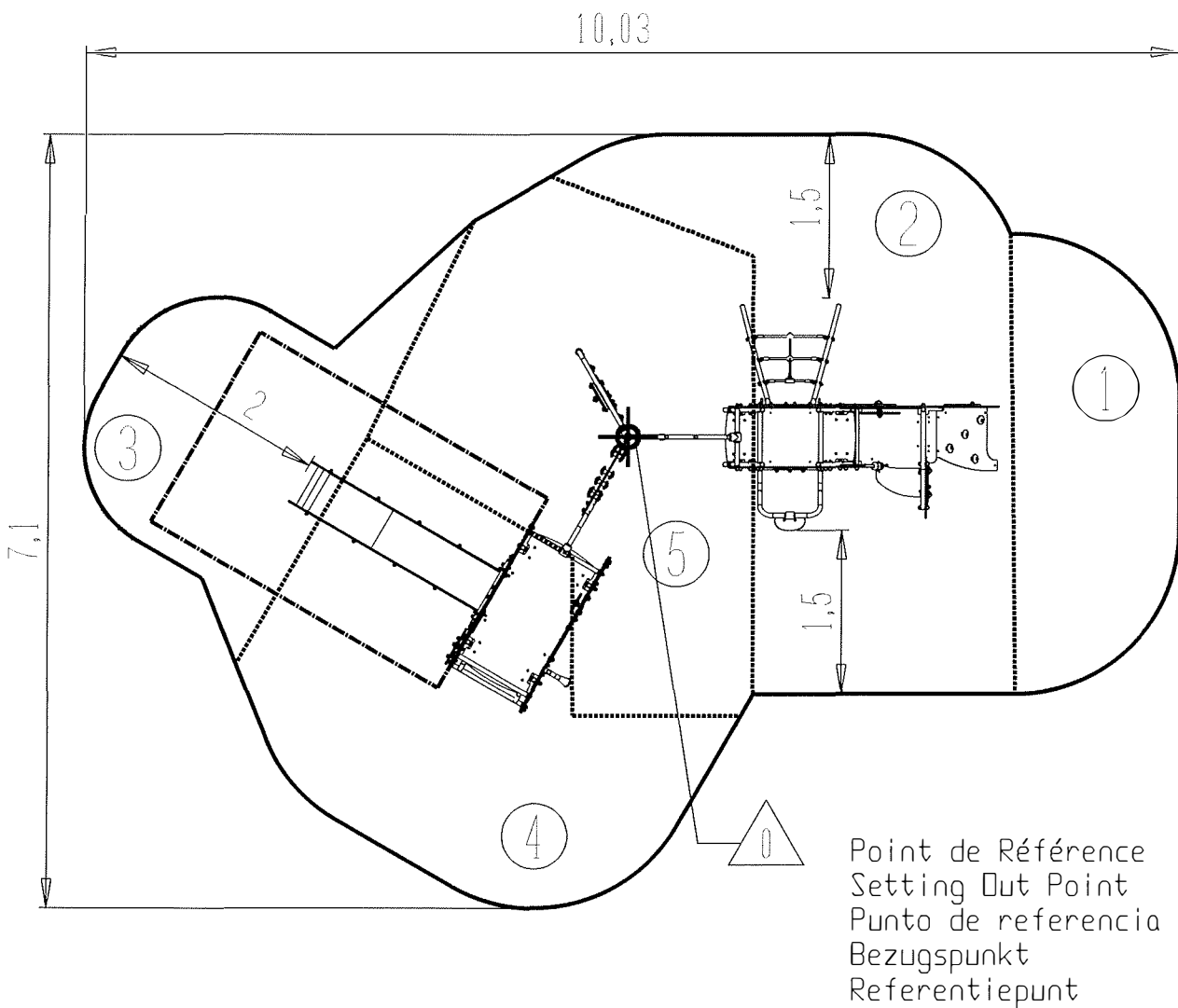


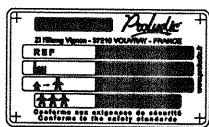
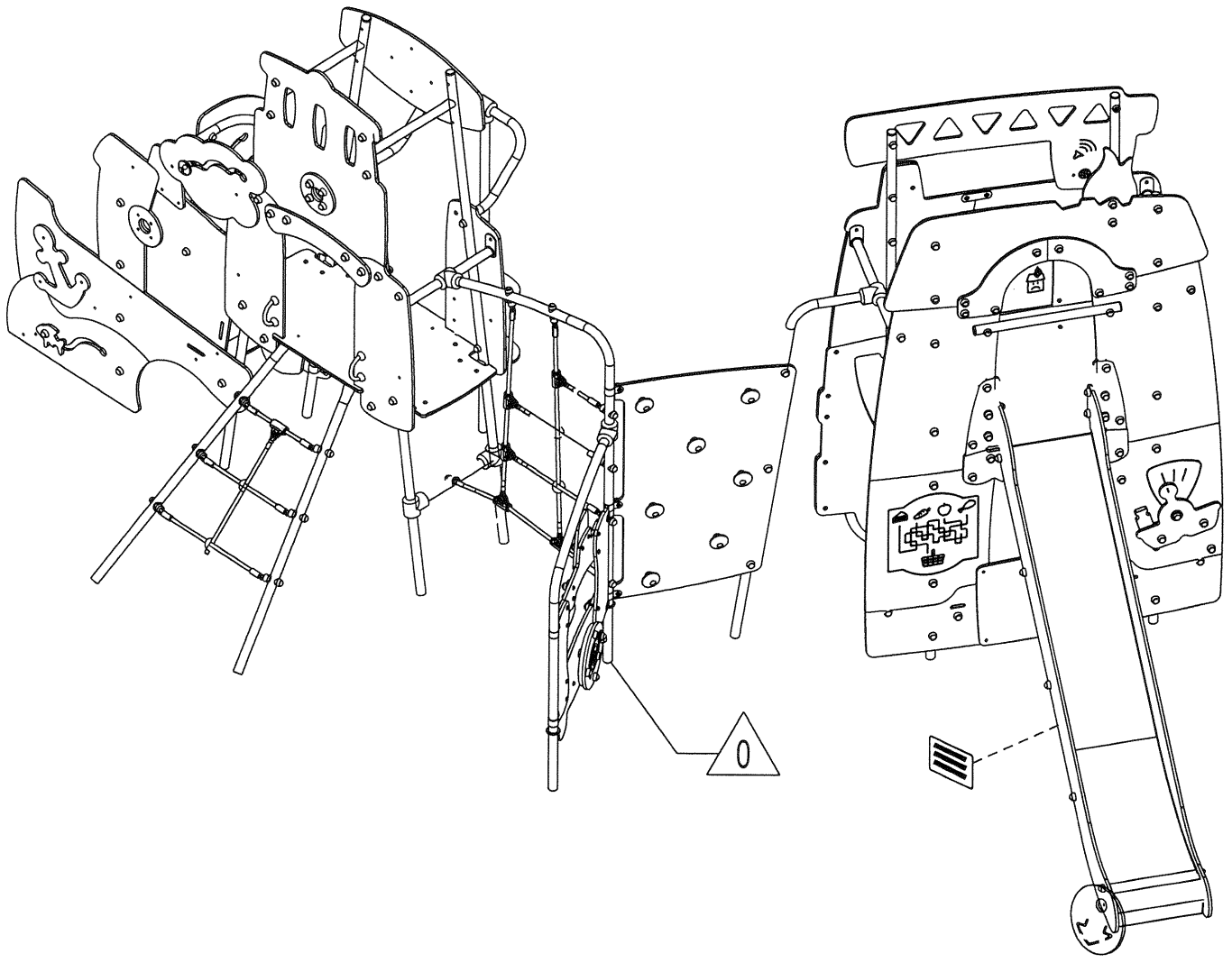
N°		
①	0.6 m	5.5 m ²
②	0.97 m	13.5 m ²
③	1 m	6 m ²
④	1.17 m	11 m ²
⑤	1.8 m	12 m ²

— Zone d'Impact
 Impact Area
 Area de Impacto
 Fallraum
 Valzone

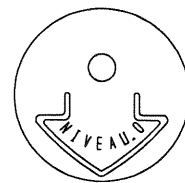
EN 1176-1 : 2017
 EN 1176-3 : 2017

- - - Espace libre
 Free Space
 Espacio Libre
 Freiraum
 Vrije ruimte



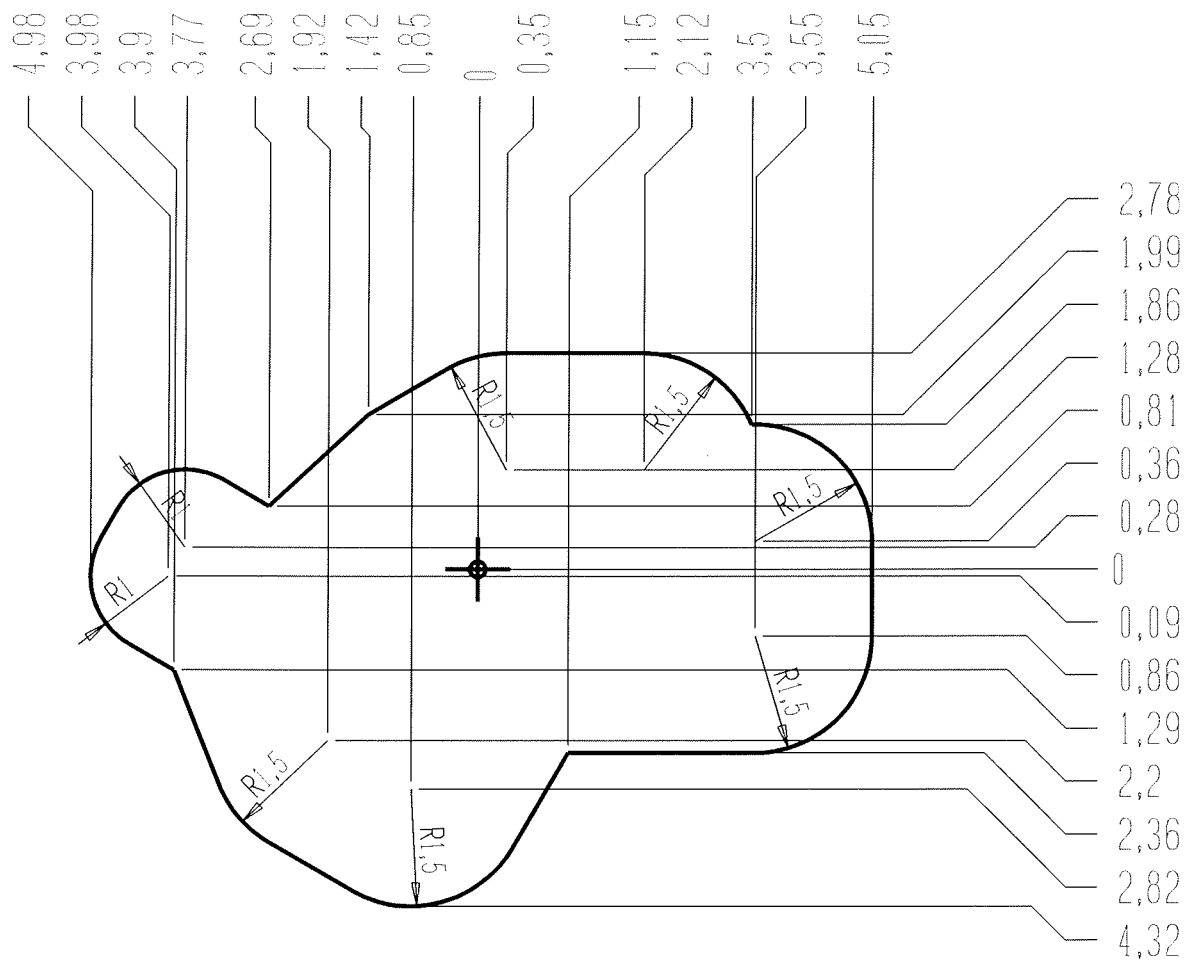


LA000

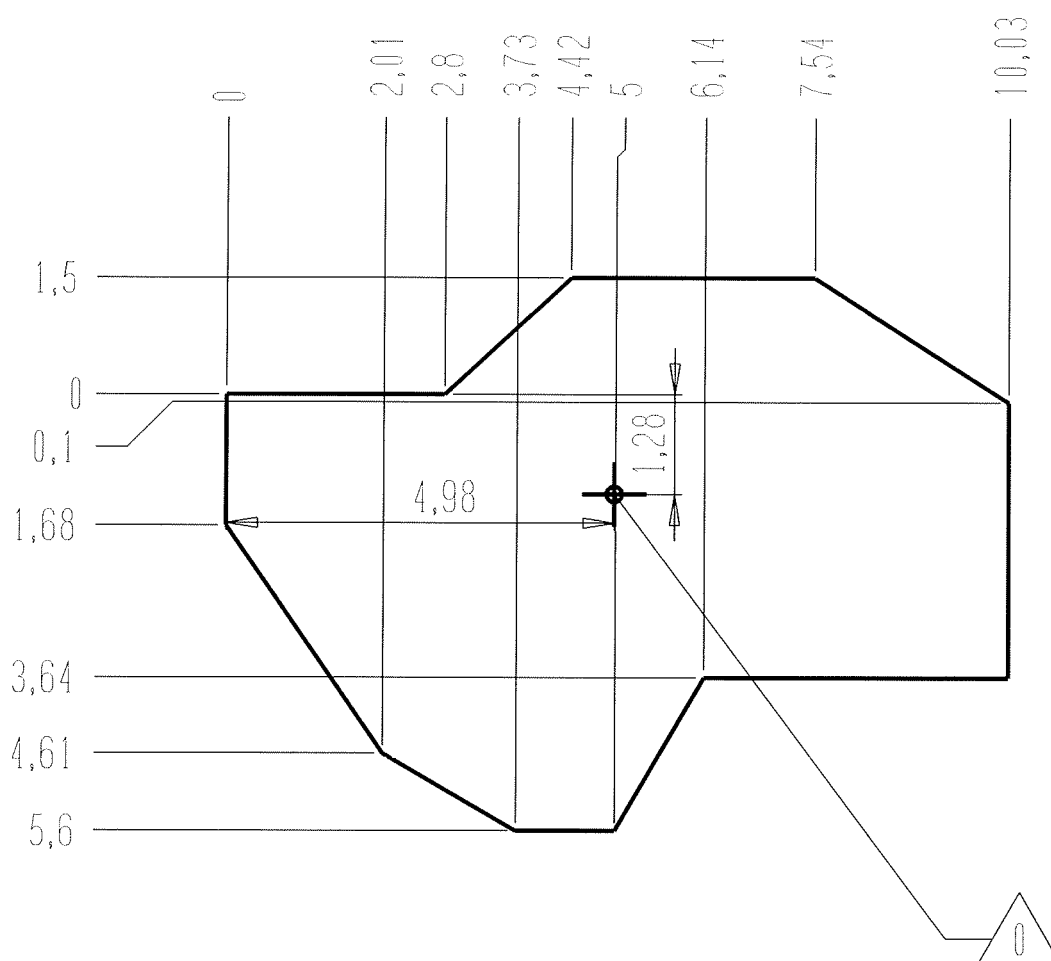


MI0002

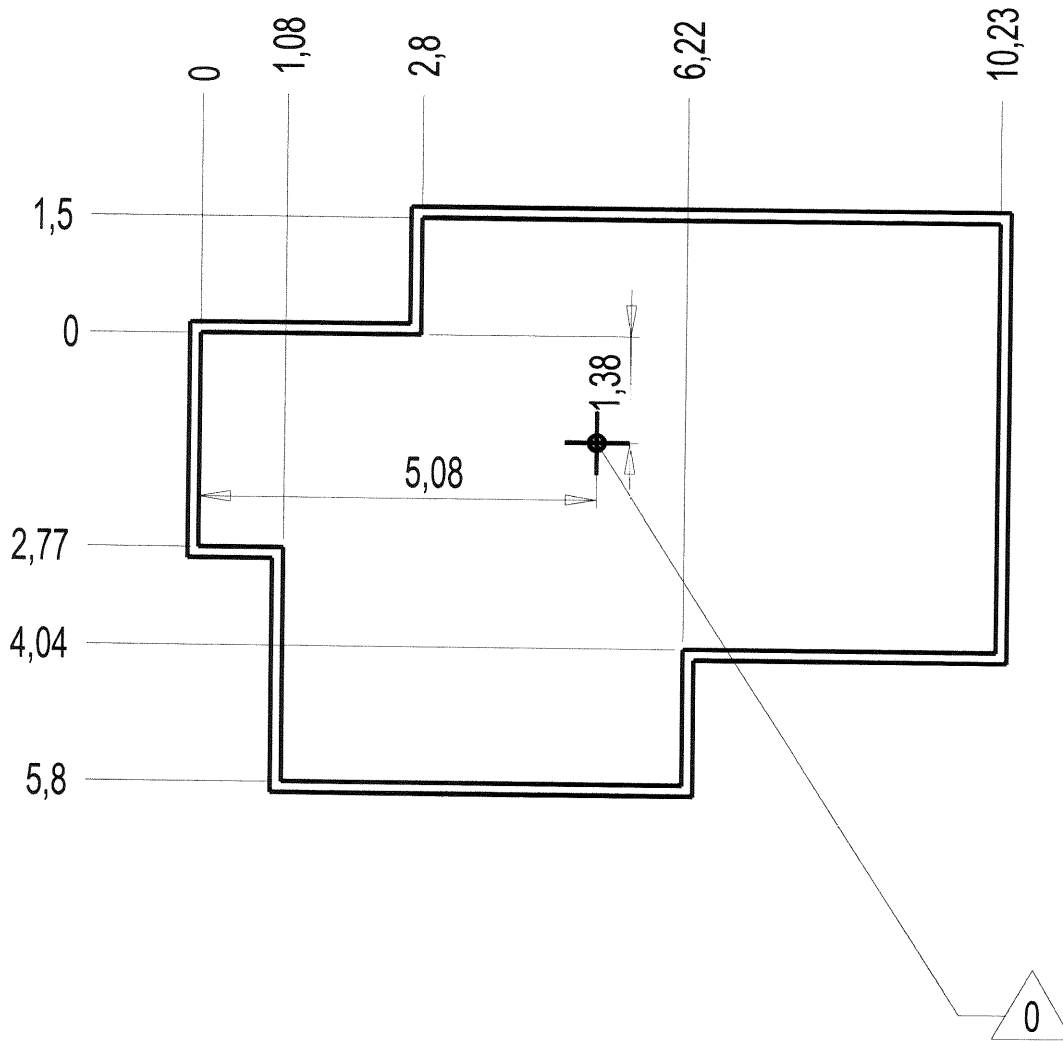
— Zone d'Impact 48 m²
 Impact Area
 Area de Impacto
 Fallraum
 Valzone



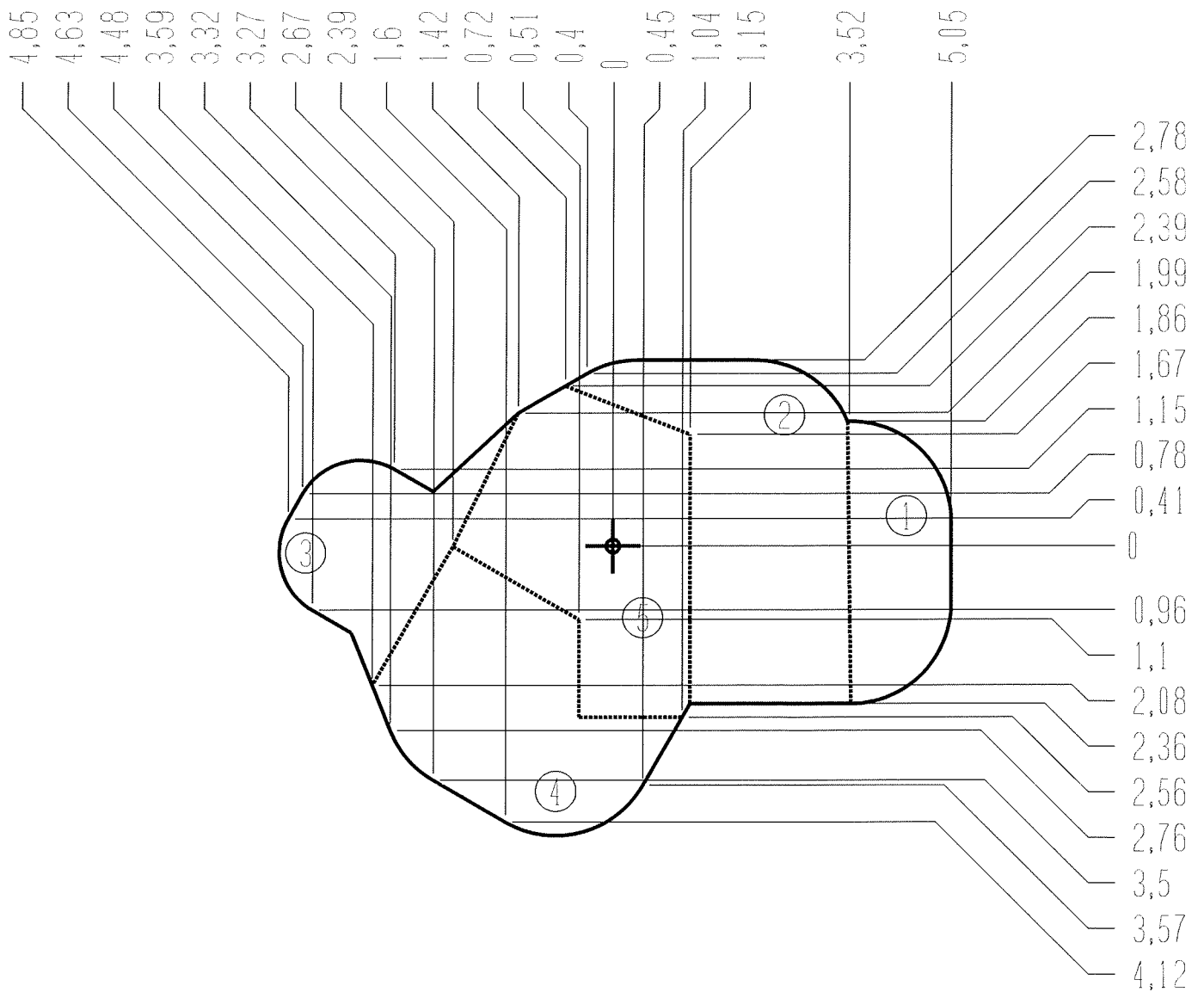
- Dalle béton 30 m
- Concrete pad 50 m²
- Solera de Hornigón
- Beton Bodenplatte
- Betonnen bodenplaat

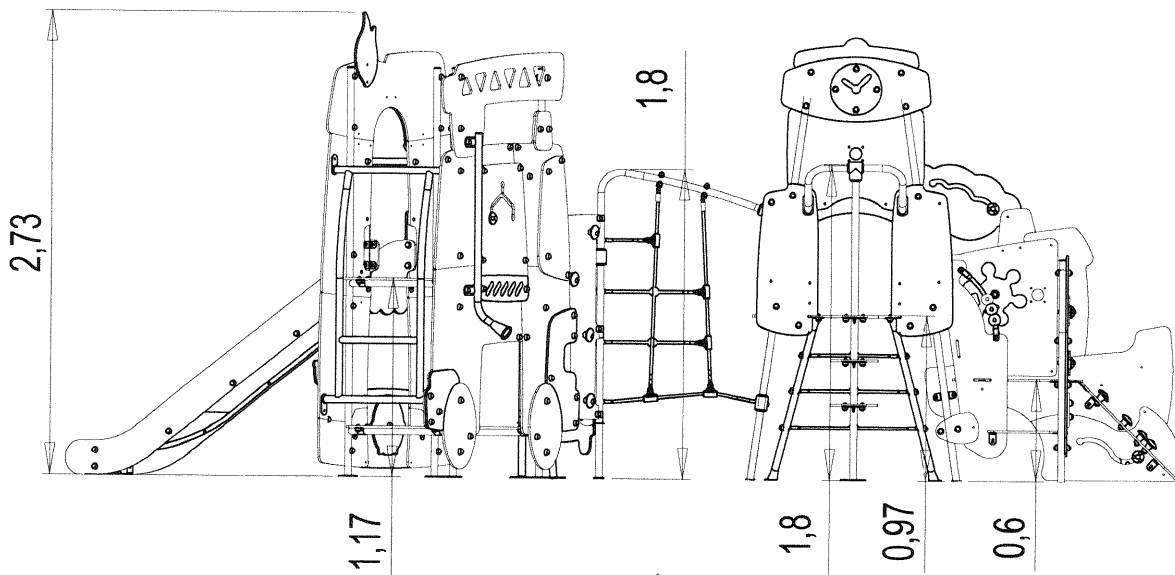
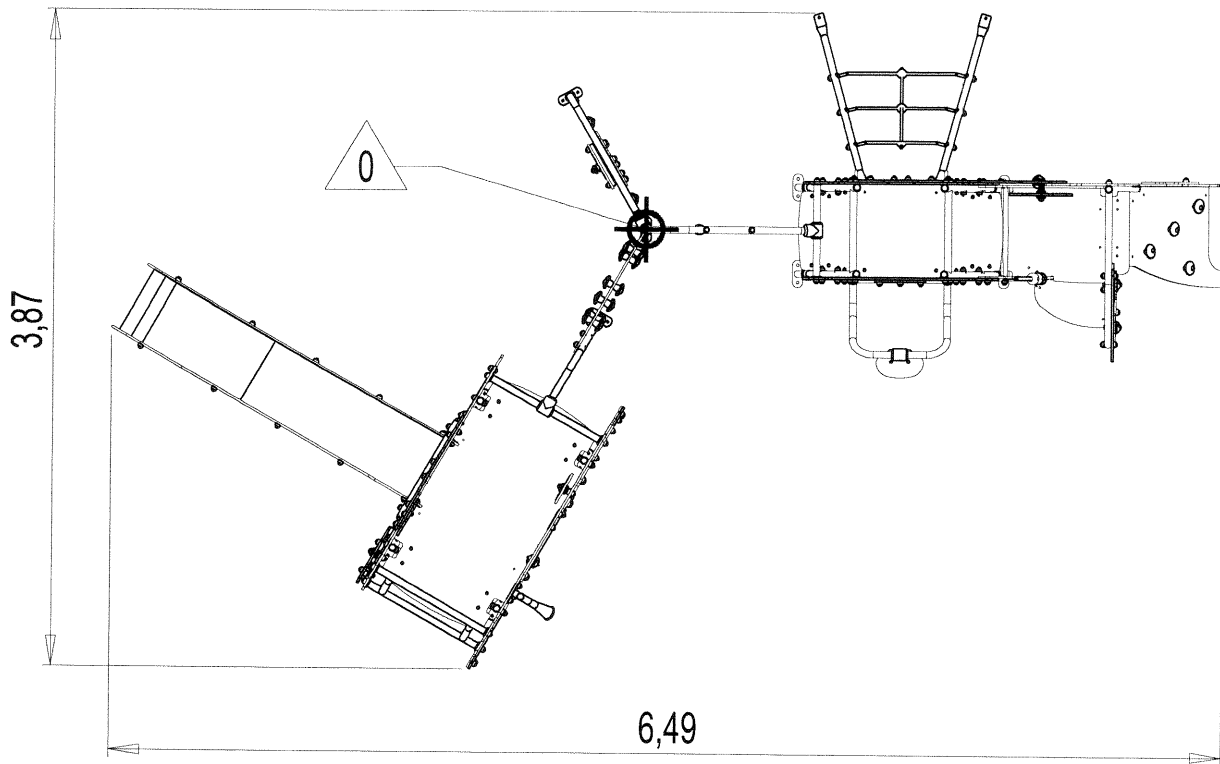
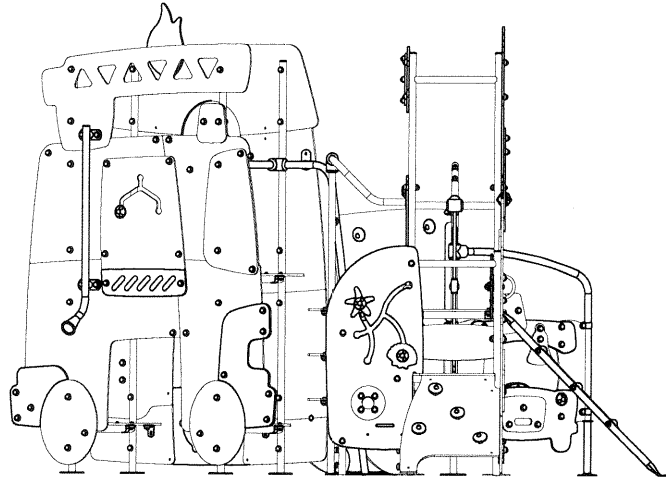


- Sol fluent 37 m
- Loose particle material 61 m²
- Arenero
- Loses Bodenmaterial
- Los bodenmaterial

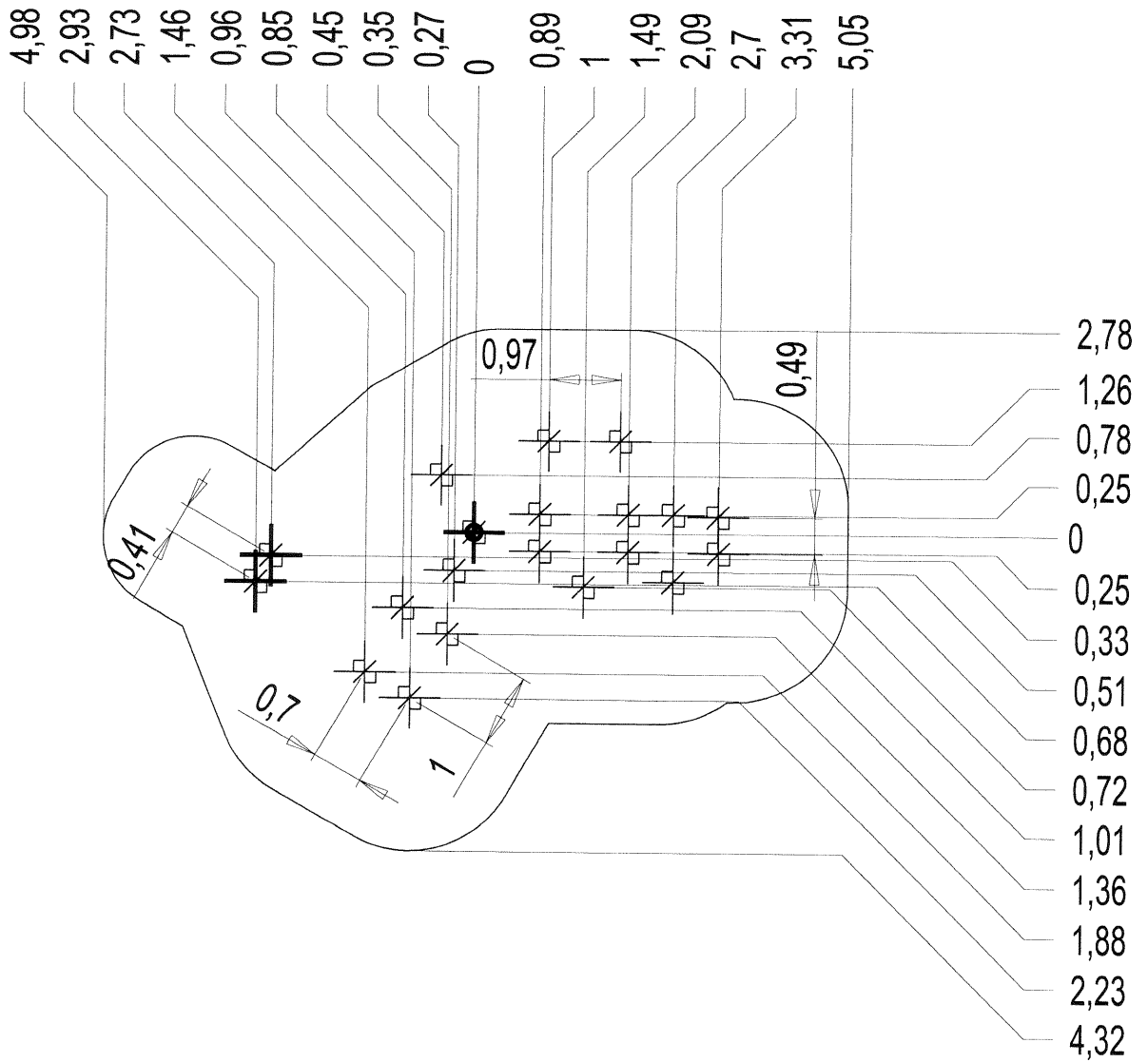





— Sol souple 48 m²
 Wetpour
 Caucho Continuo
 Synthetischer Fallschutz
 Gietvloer

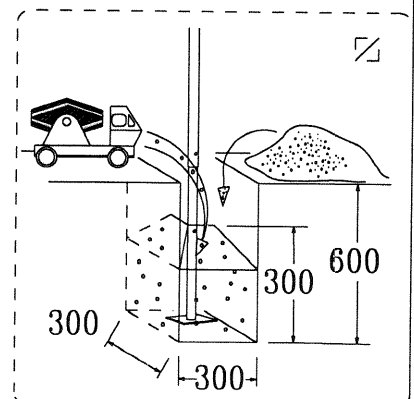




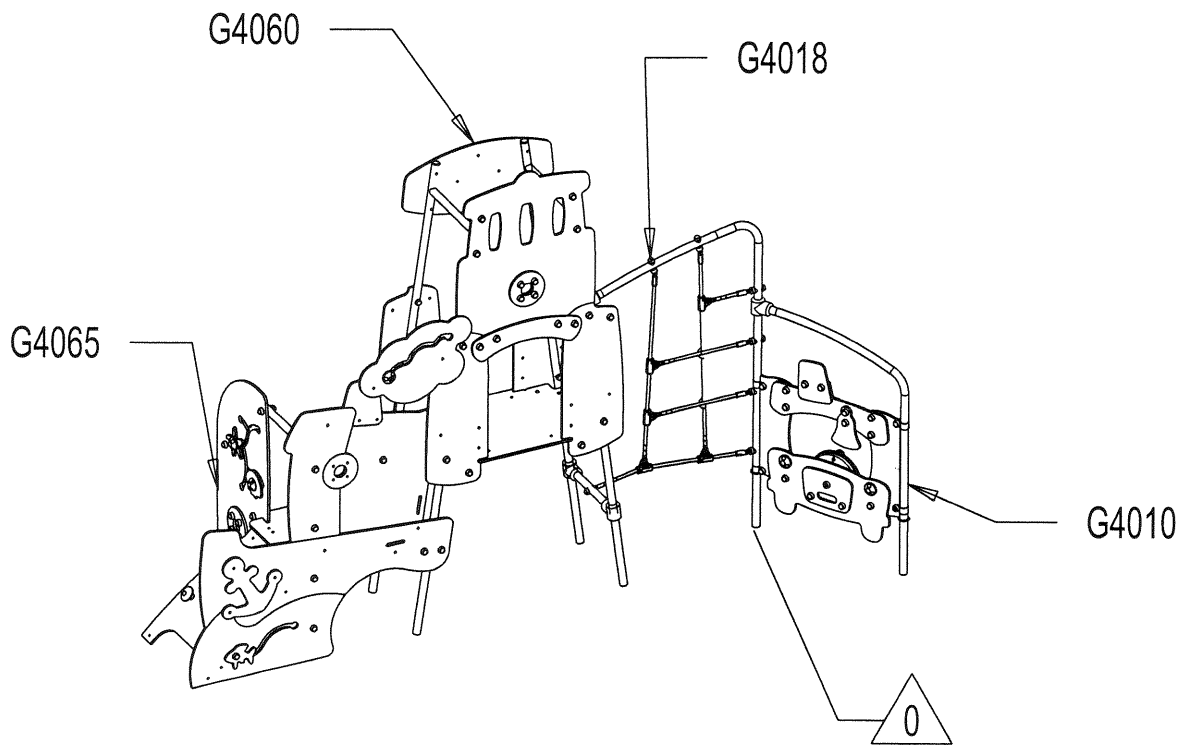
Implantation
 Footing plan
 Implantación
 Fundamentplan
 Funderingstekening



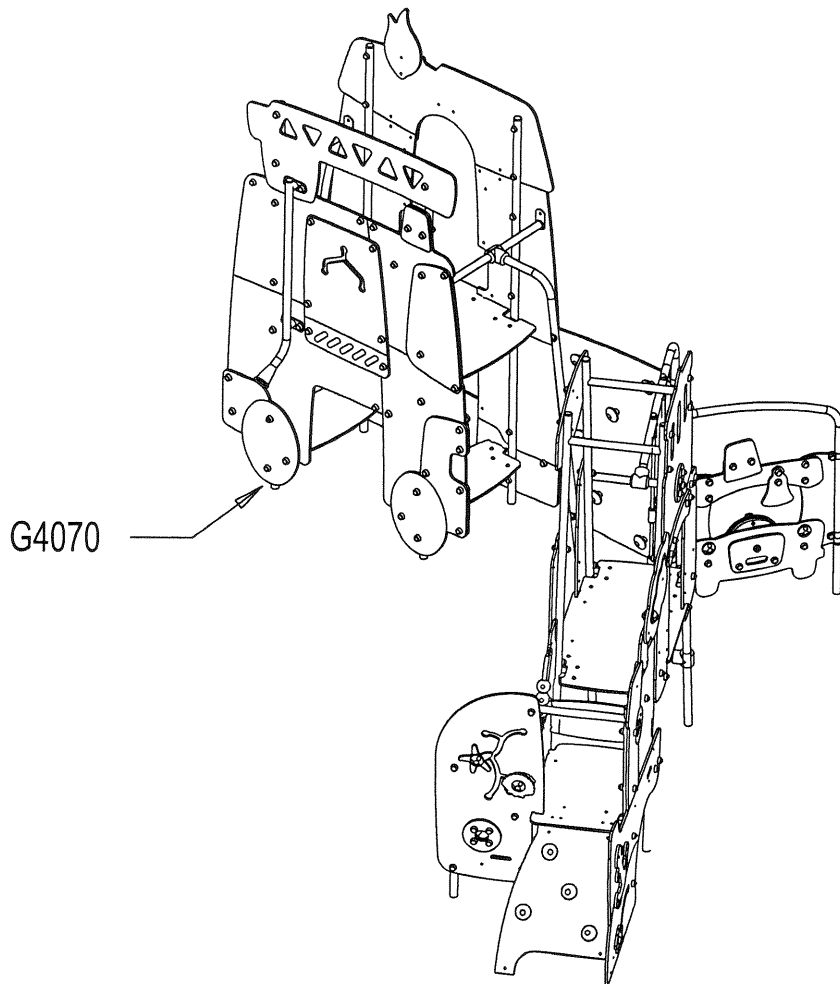
 x2	 XXH	 0.6m ³
---	---	---



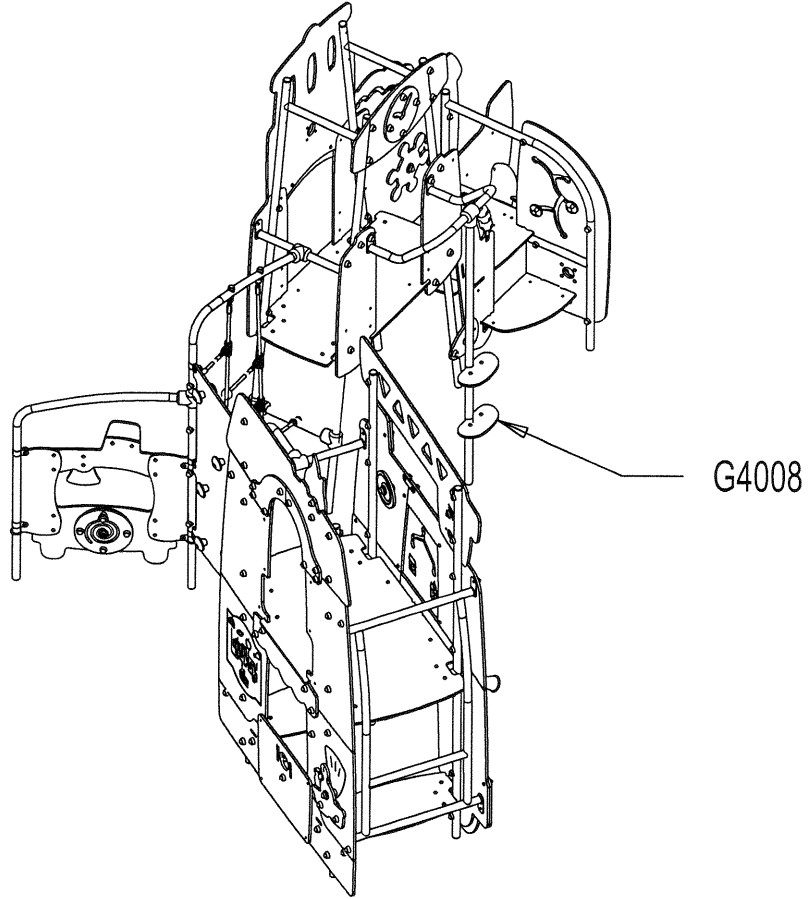
1



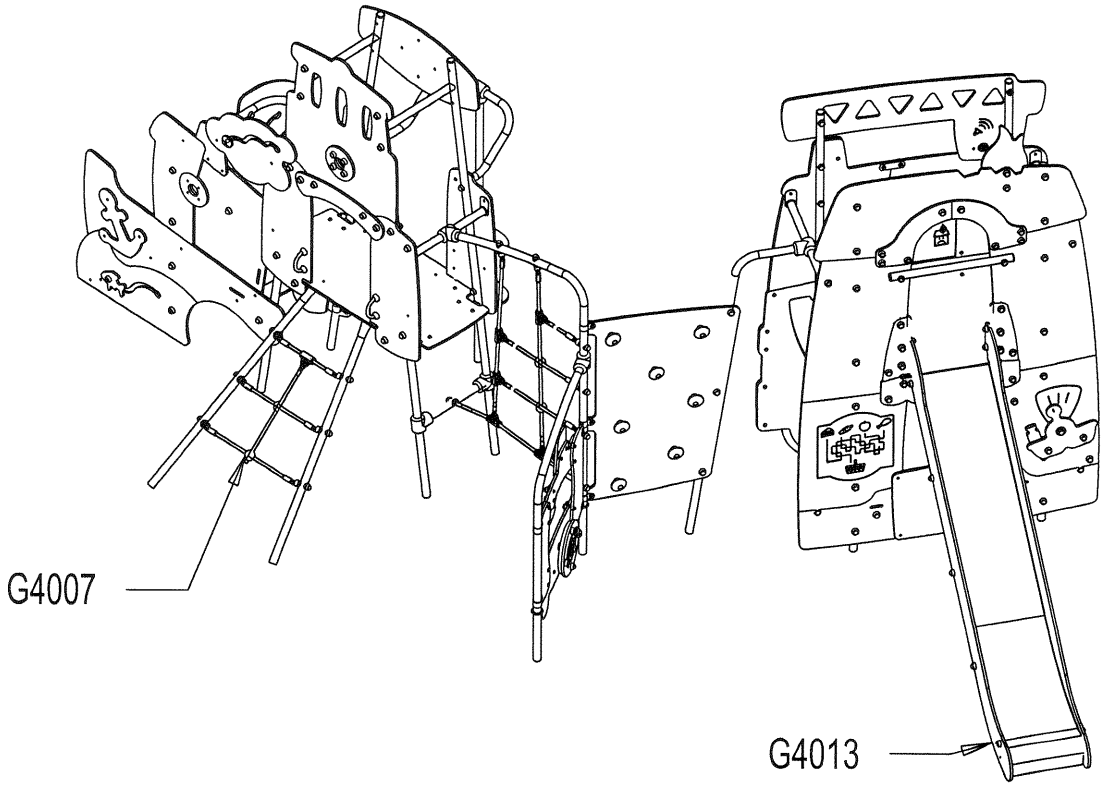
2

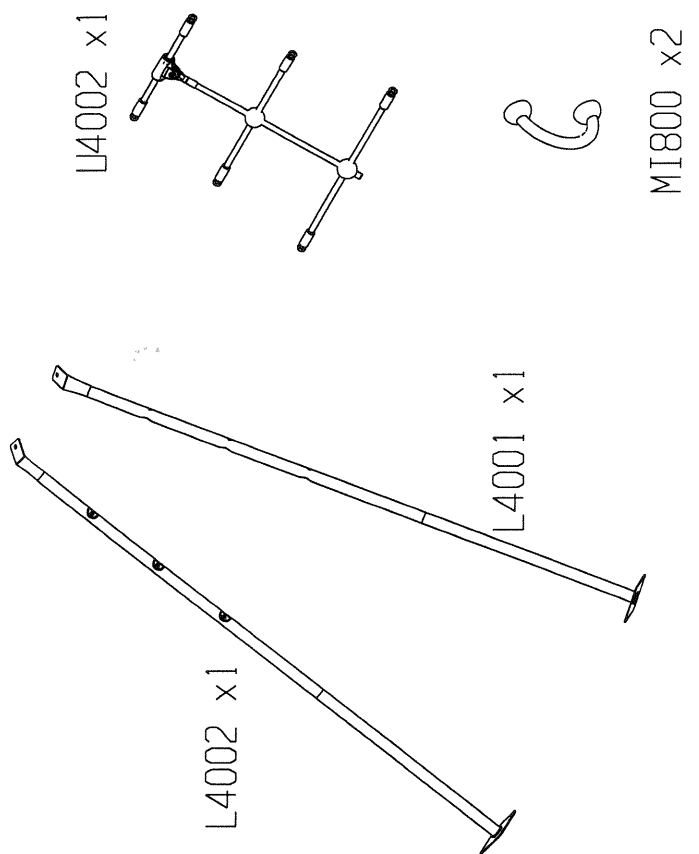
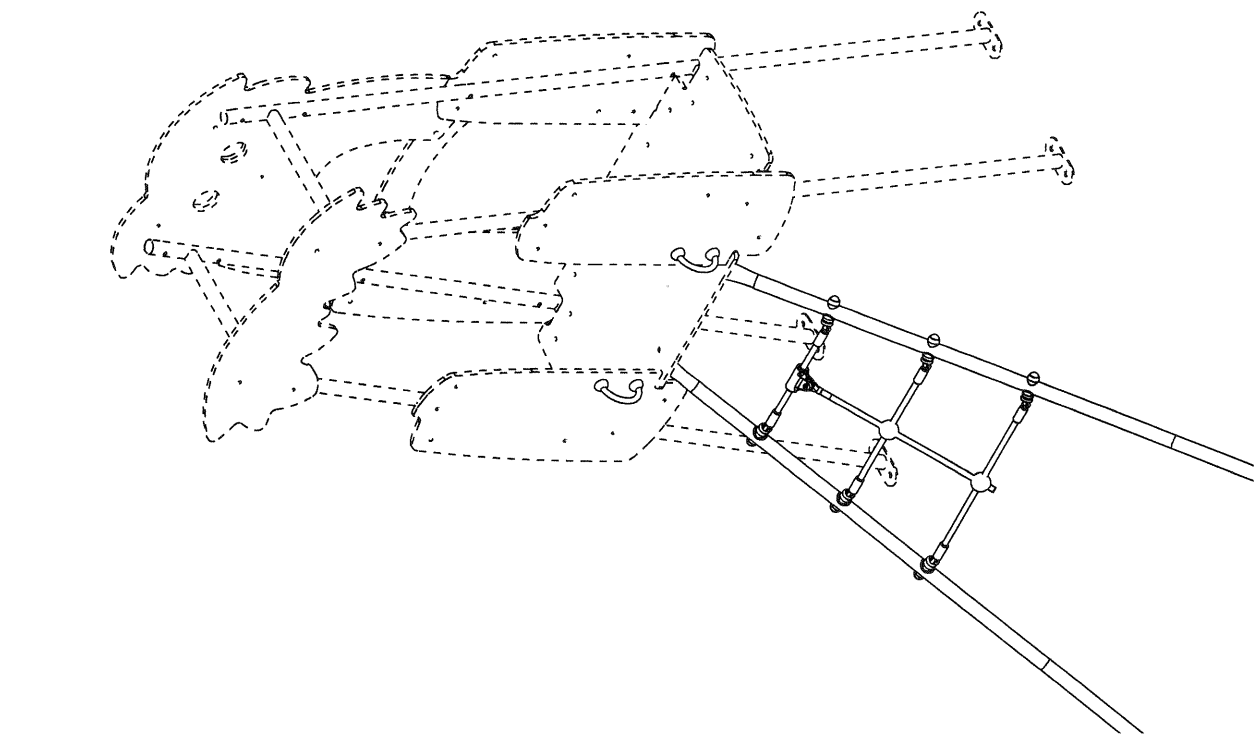


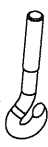






3

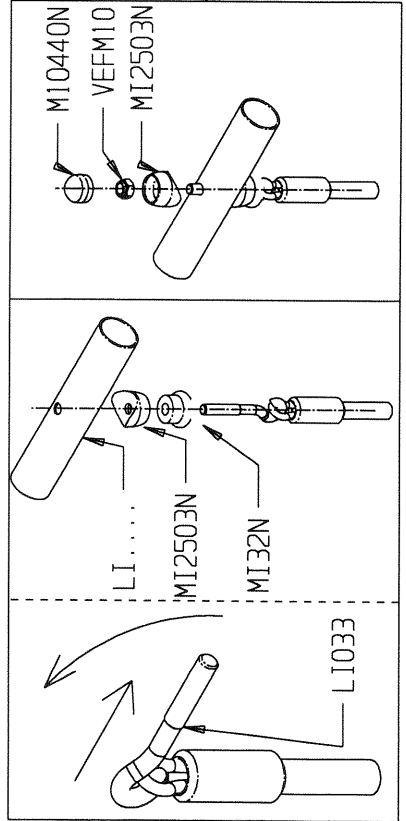
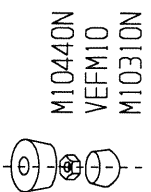
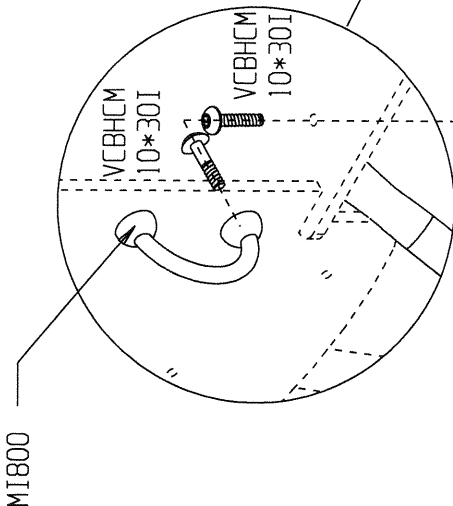
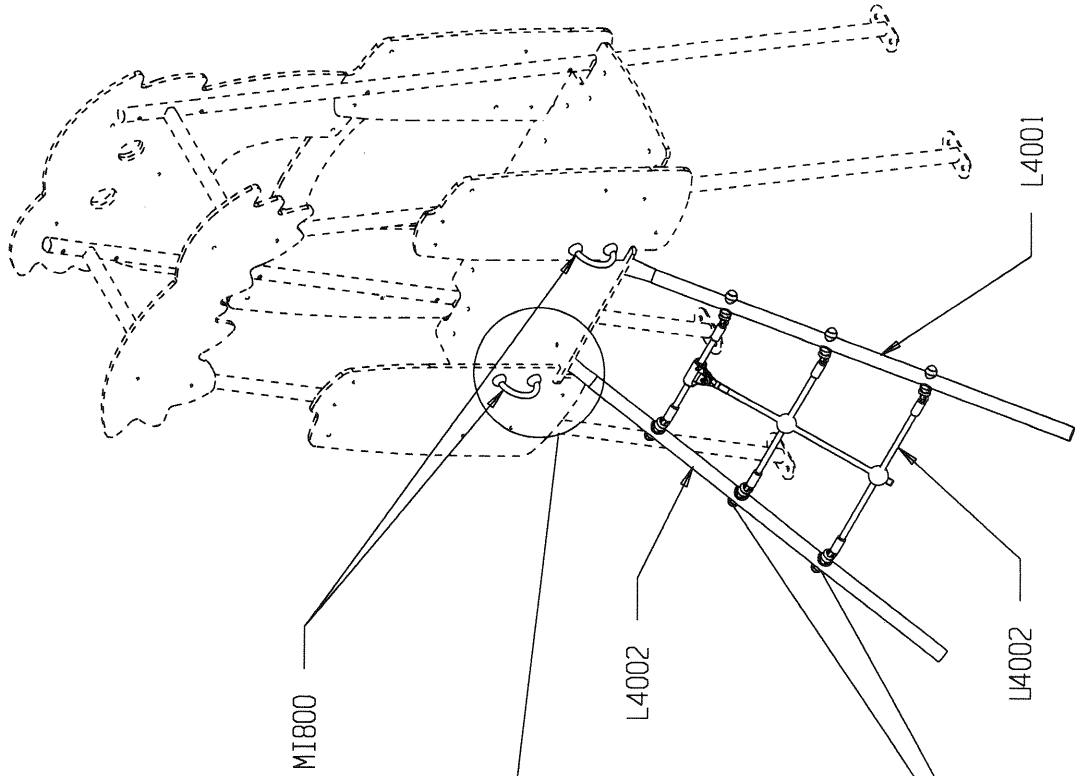


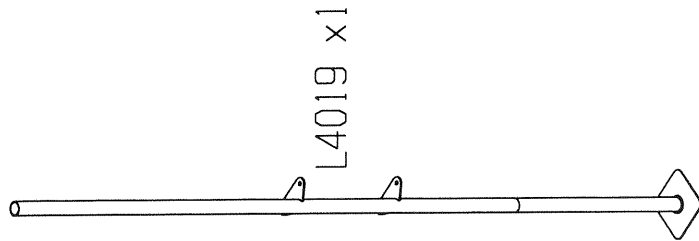
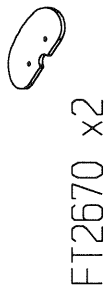
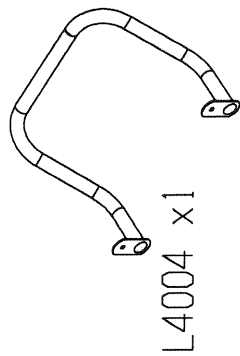
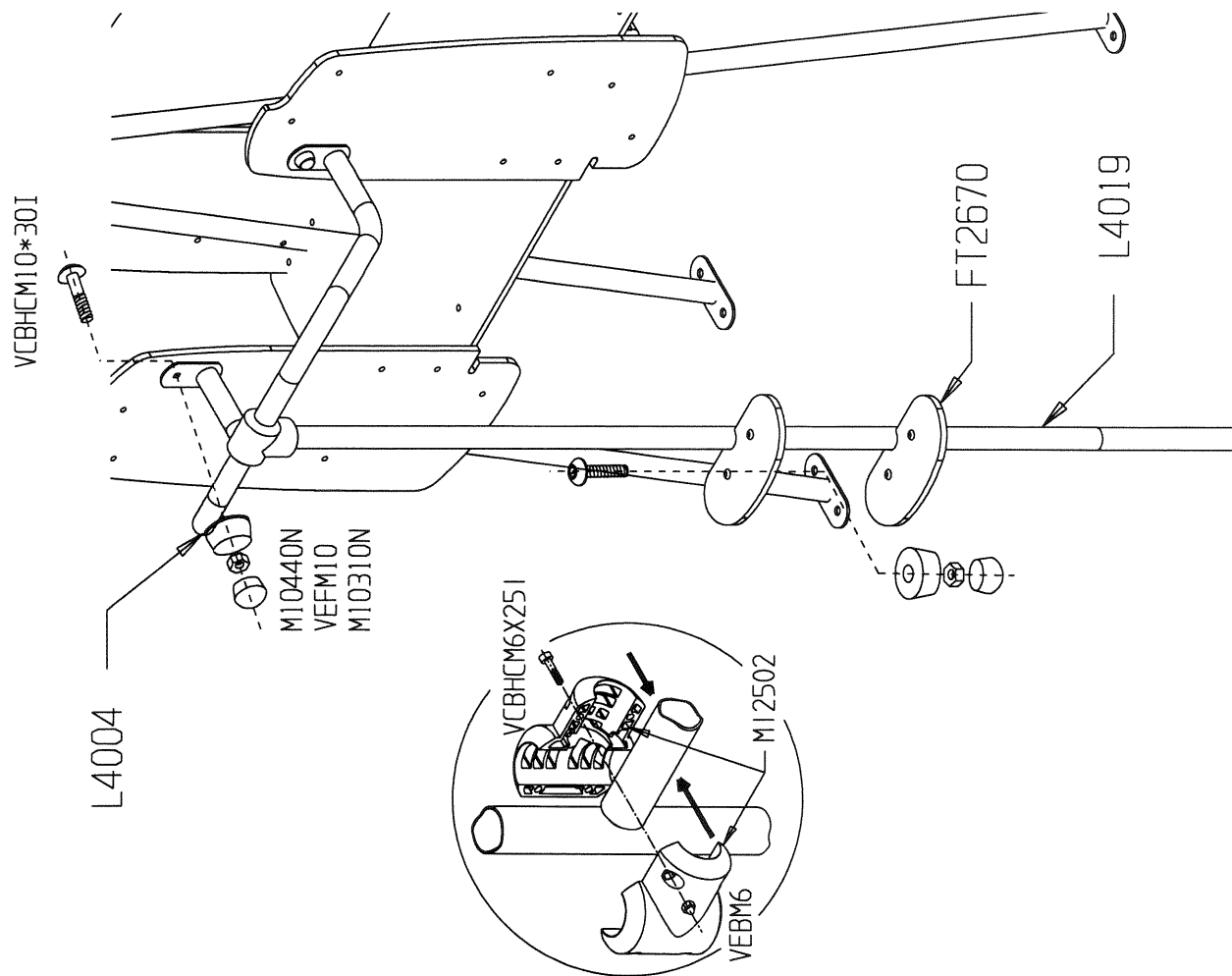
4



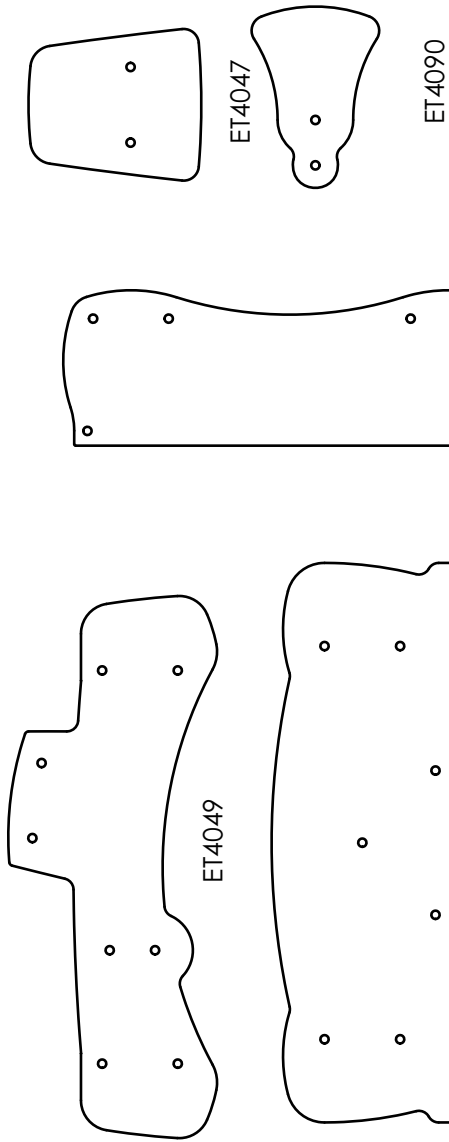
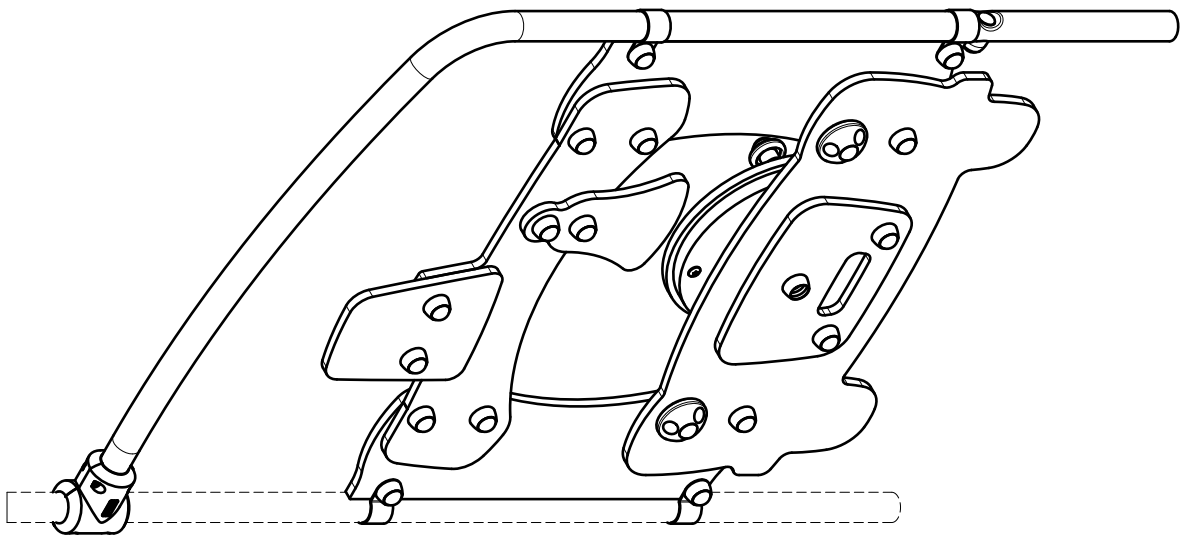


	LI033	6
	MI32N	6
	MI2503N	12
	M10440N	8
	VEFM10	8
	VCBHC10*30I	6
	M10310N	2

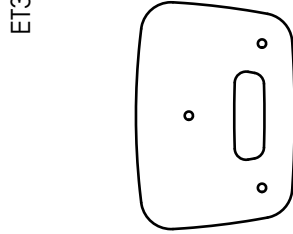




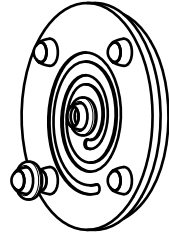
	VCBHC10*30I	4
	M10310 N	4
	M10440 N	4
	VEFM10	4
	VCBHC6*25I	4
	VEBM6	4



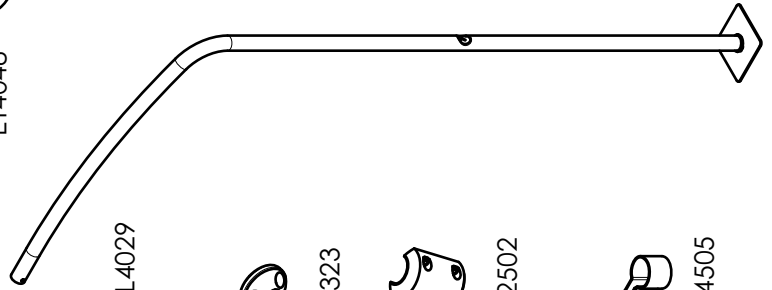
Réf	Qté
ET3406PL	2
ET4047L	1
ET4048J	1
ET4049J	1
ET4050PL	1
ET4090PL	1
L4029	1
LI4505	4
M10310N	16
M10440N	19
M1323J	2
M12502N	2
M12503N	1
U4001	1
VCBHC6x25I	4
VCBHC10x30I	4
VCBHC10x40I	12
VCBHC10x60I	2
VEBM6	4
VEFM10	19
VGC8x55I	1
VTRCC10x50	1



ET4050



U4001



L4029



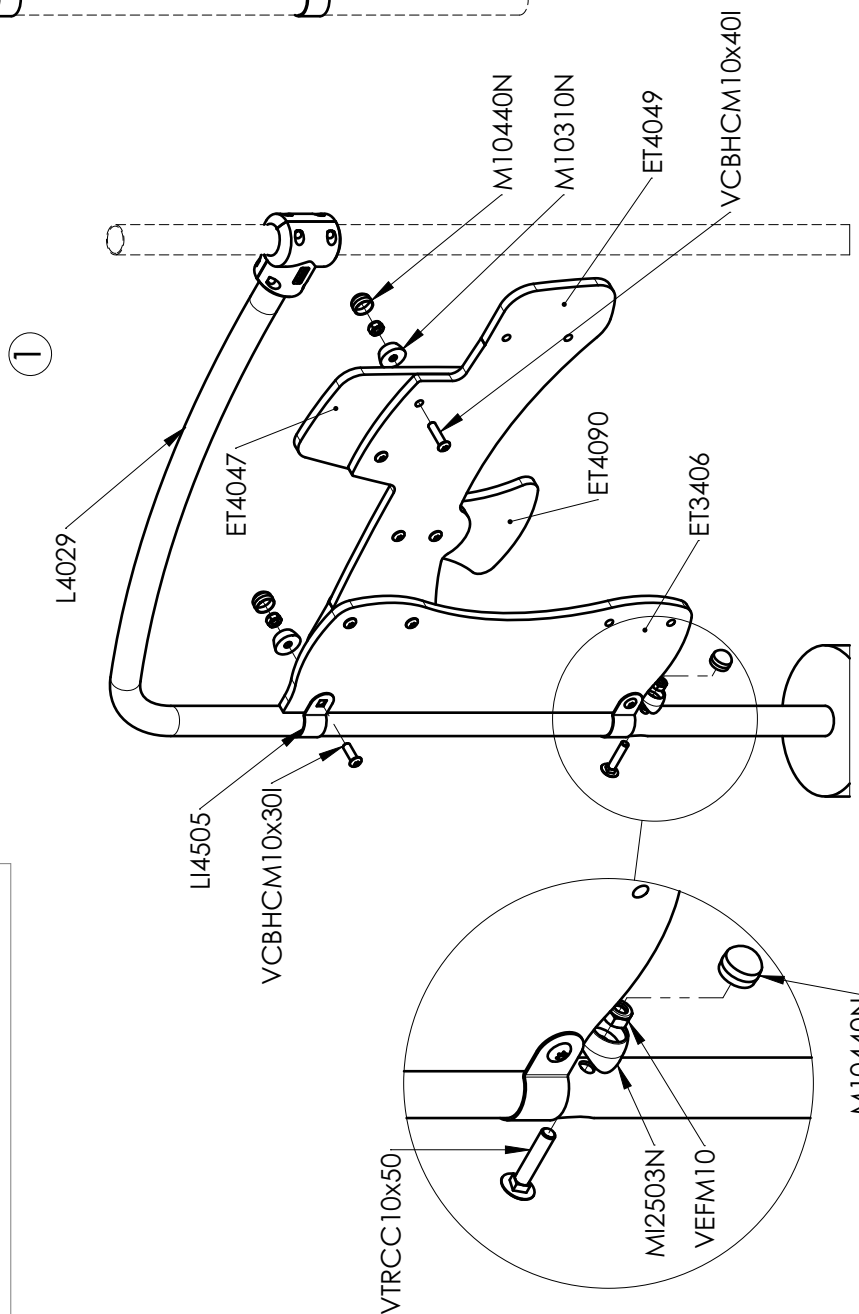
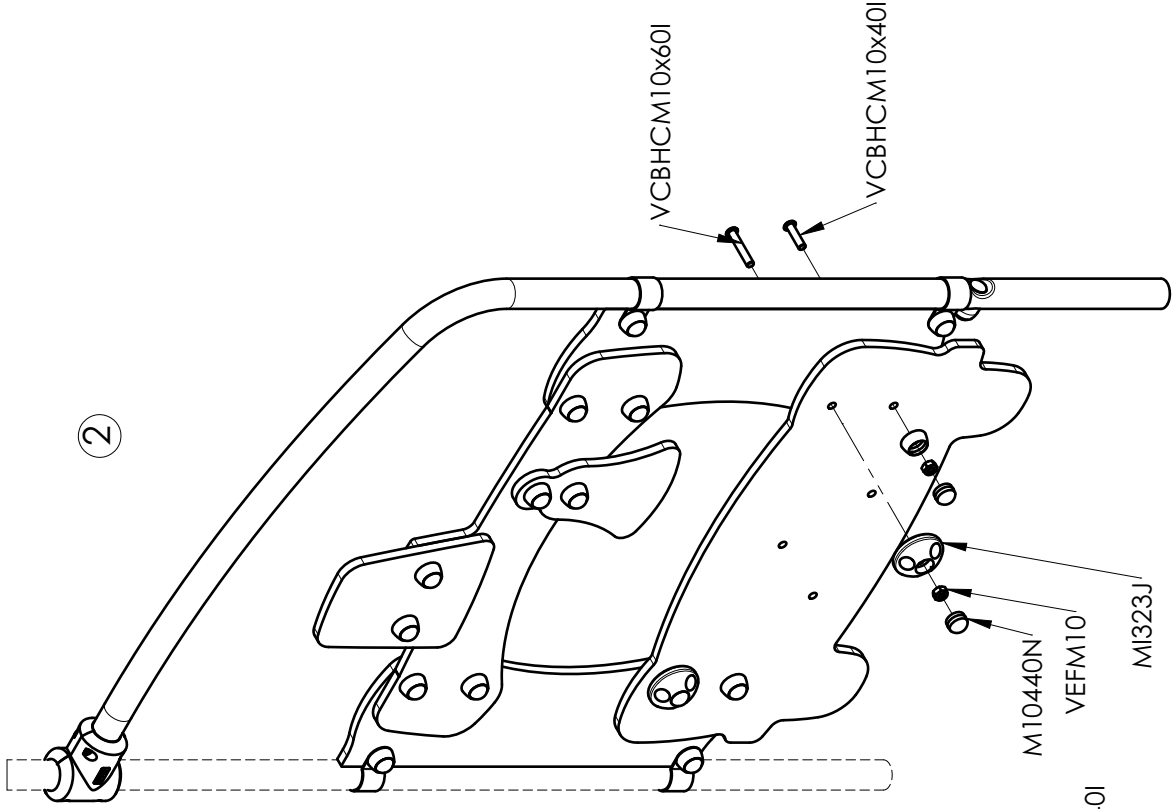
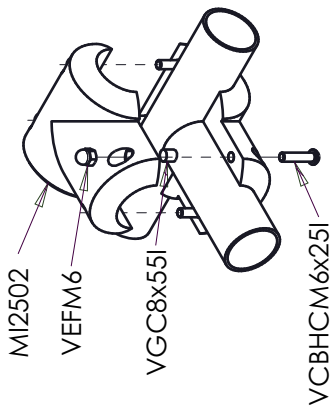
M1323

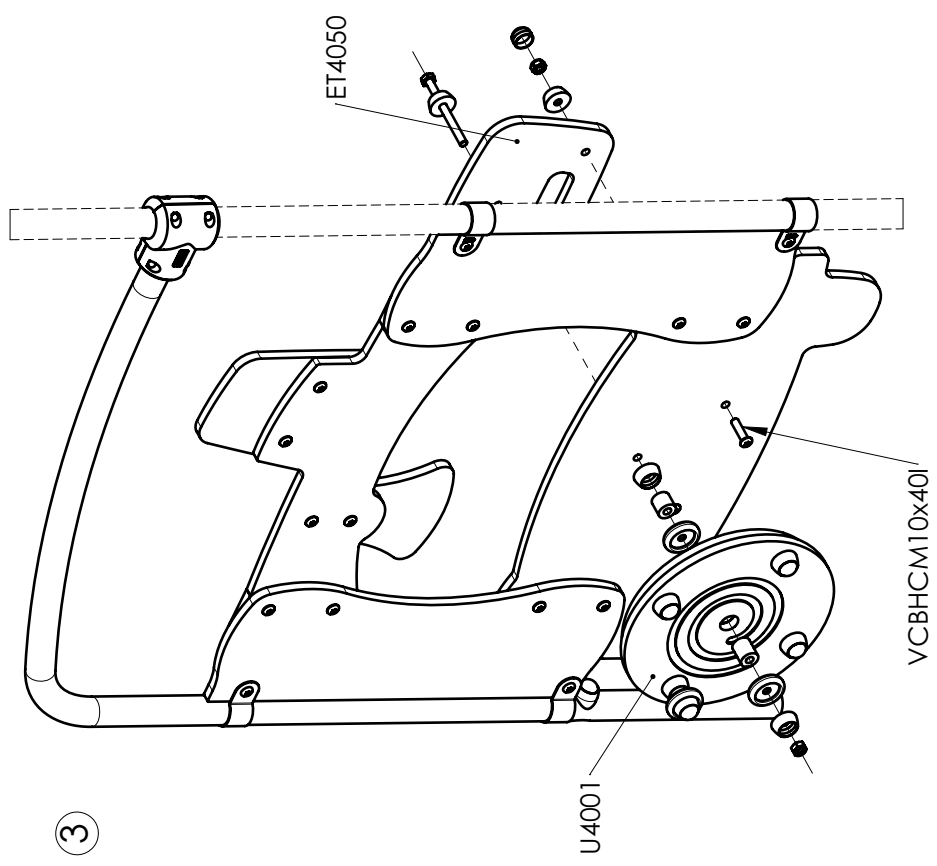


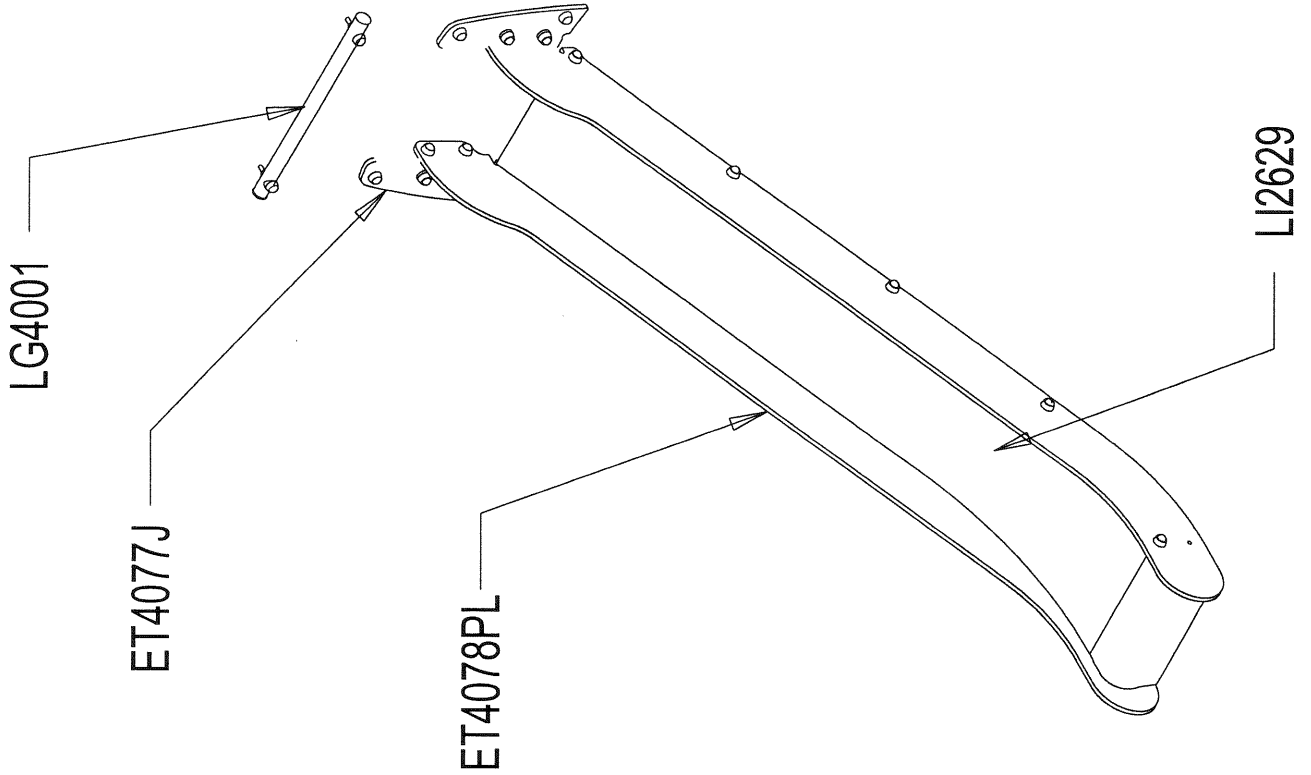
M12502



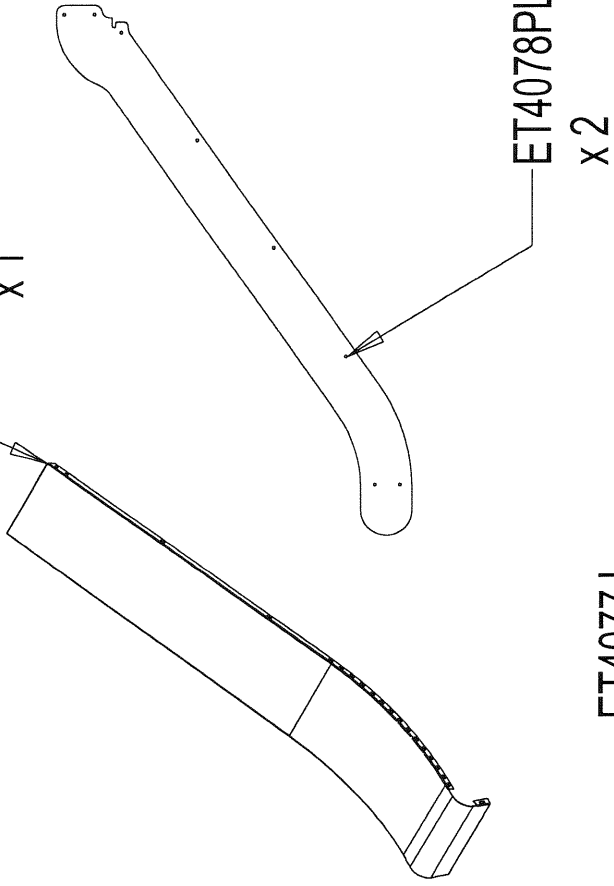
LI4505



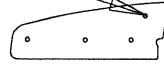




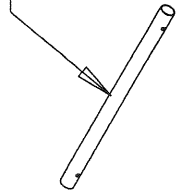
LI2629
x1



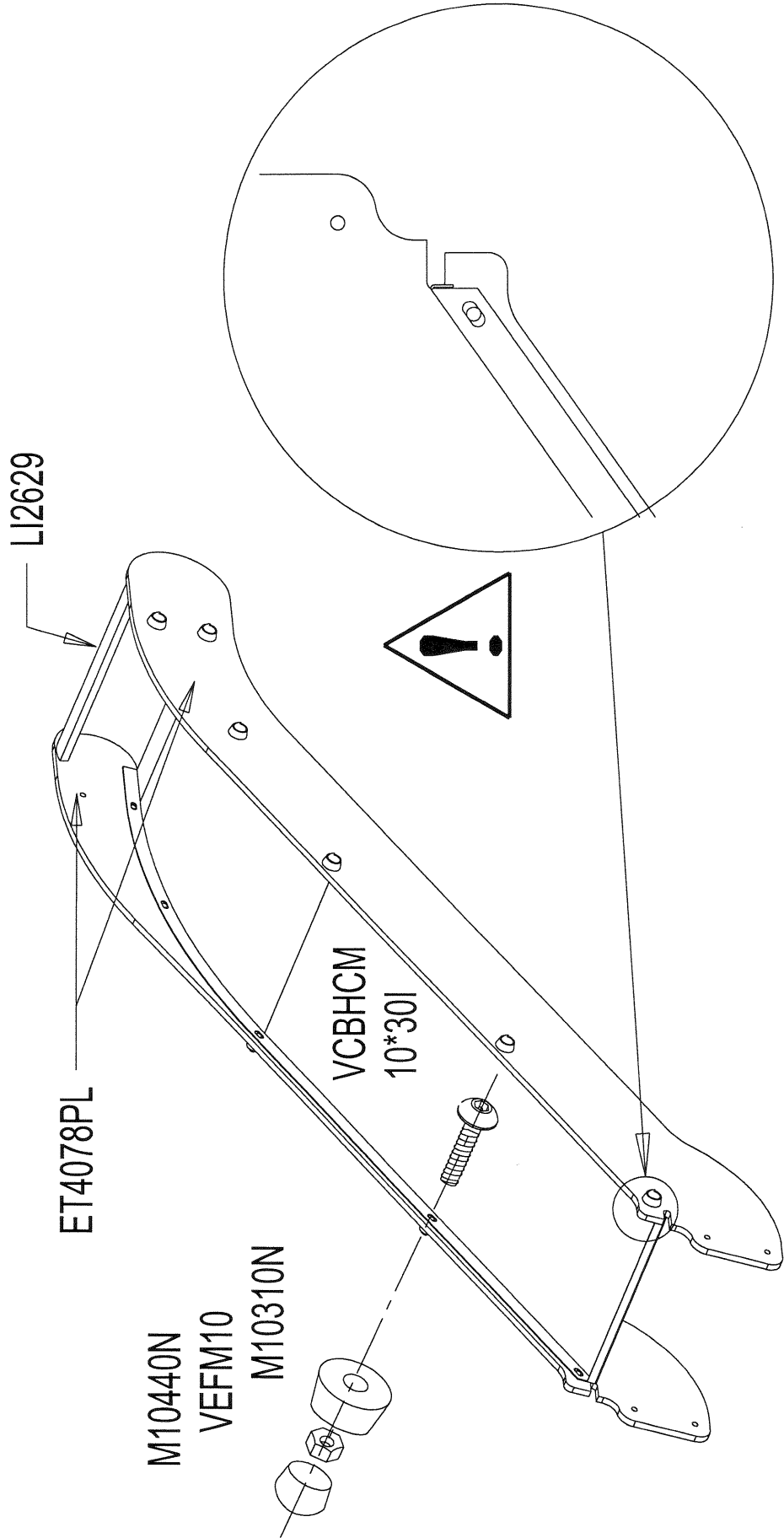
ET4077J
x2



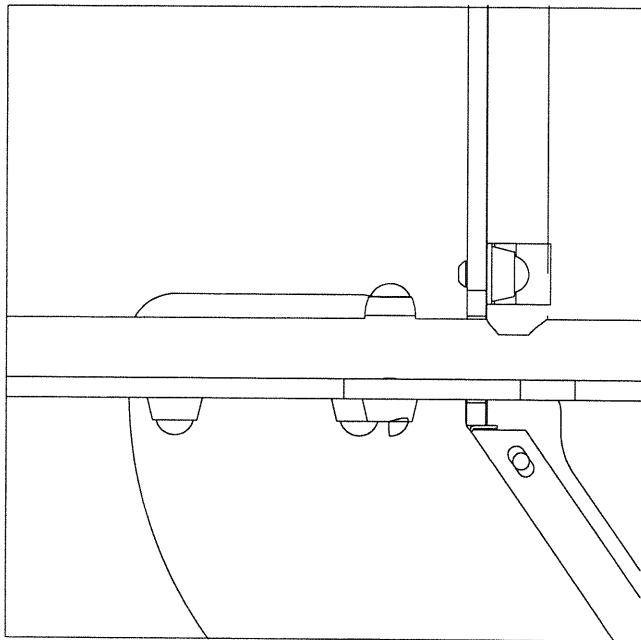
LG4001
x1



	P20	4
	VEFM10	26
	VCBHC M10*30I	22
	VTH10*70	4
	M10310N	22
	M10440N	22
	M42	2
	MI2503N	2



3/3

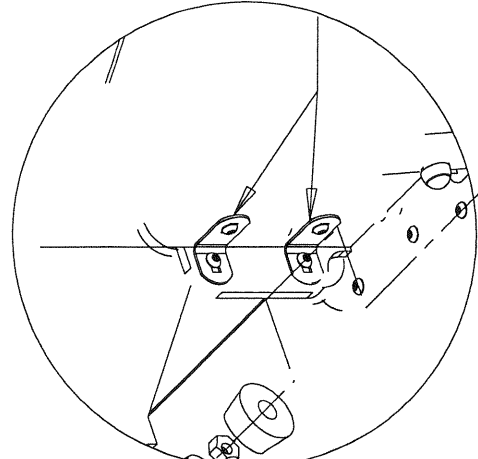


M12503N
VEFM10
M10440N

M10440N
VTH10X70
M10310N

LG4001

M42

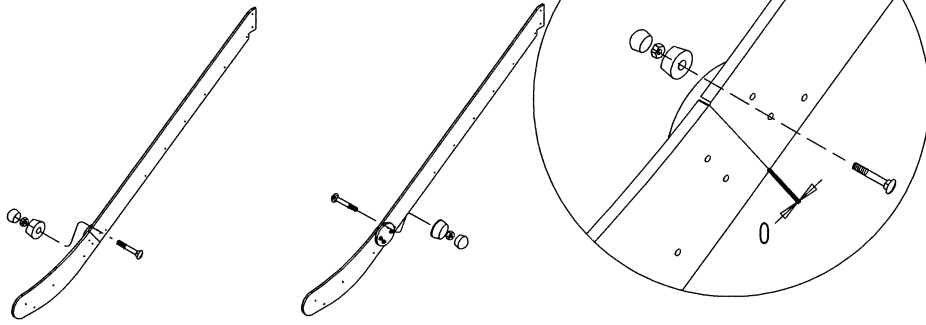


M10440N
VEFM10
M10310N

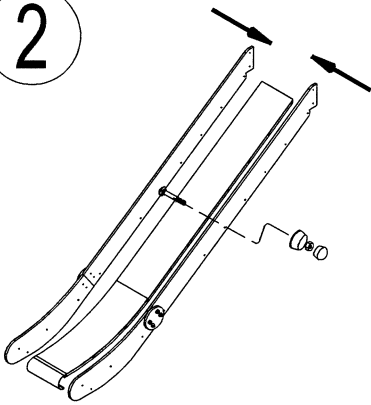
P20

VCBHC10*30I

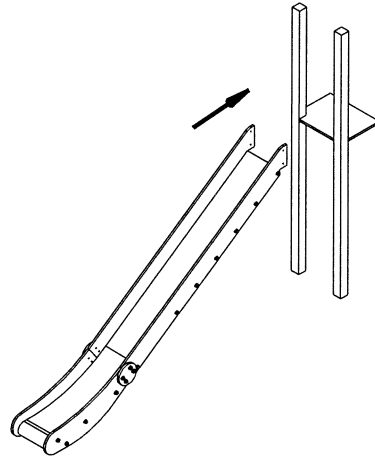
1



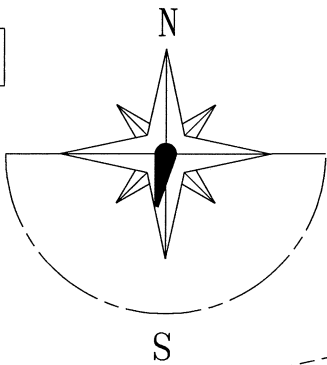
2



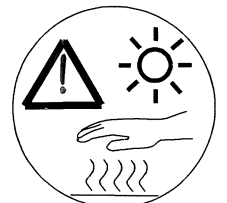
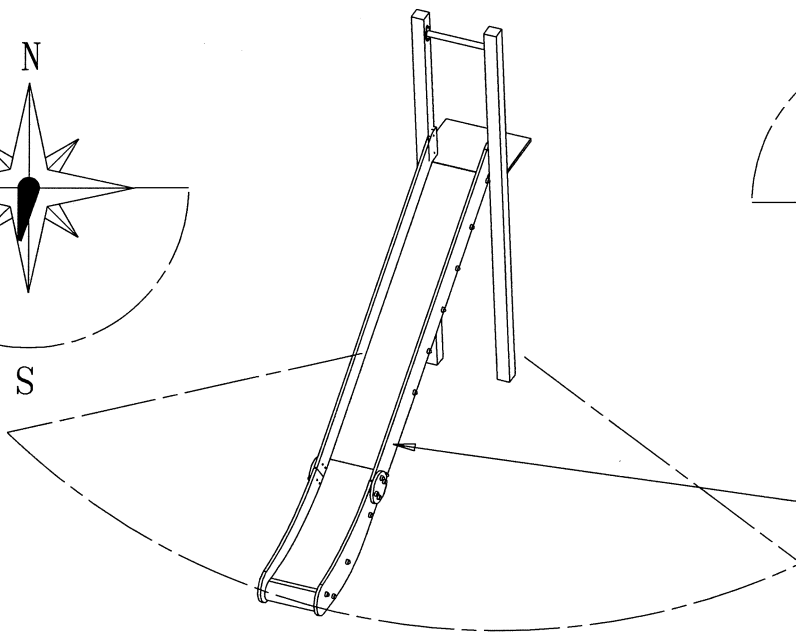
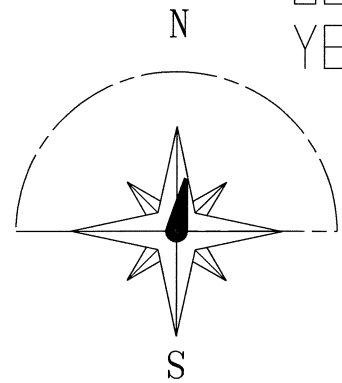
3



NON
NO



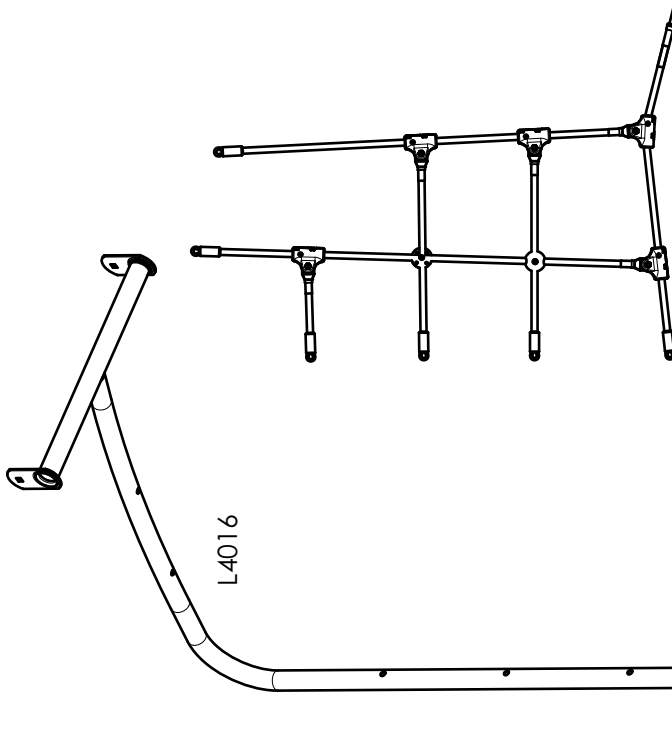
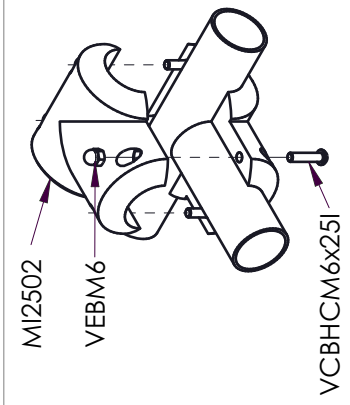
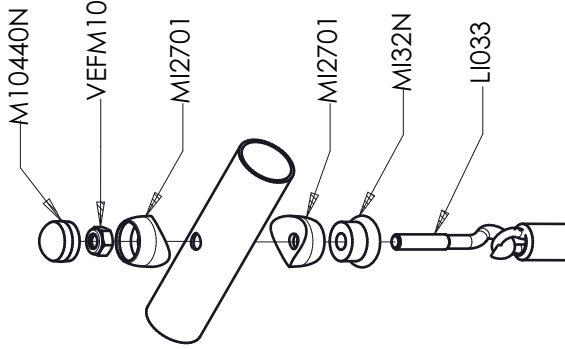
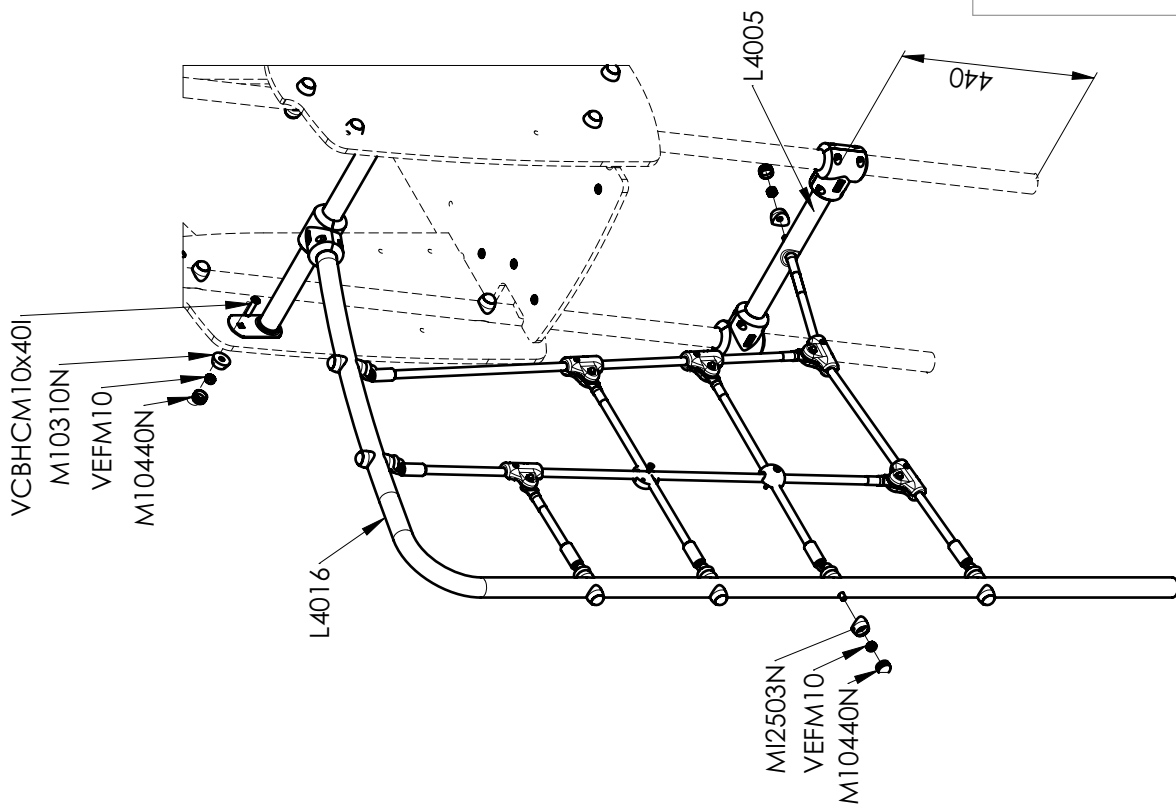
OUI
YES



STOBG

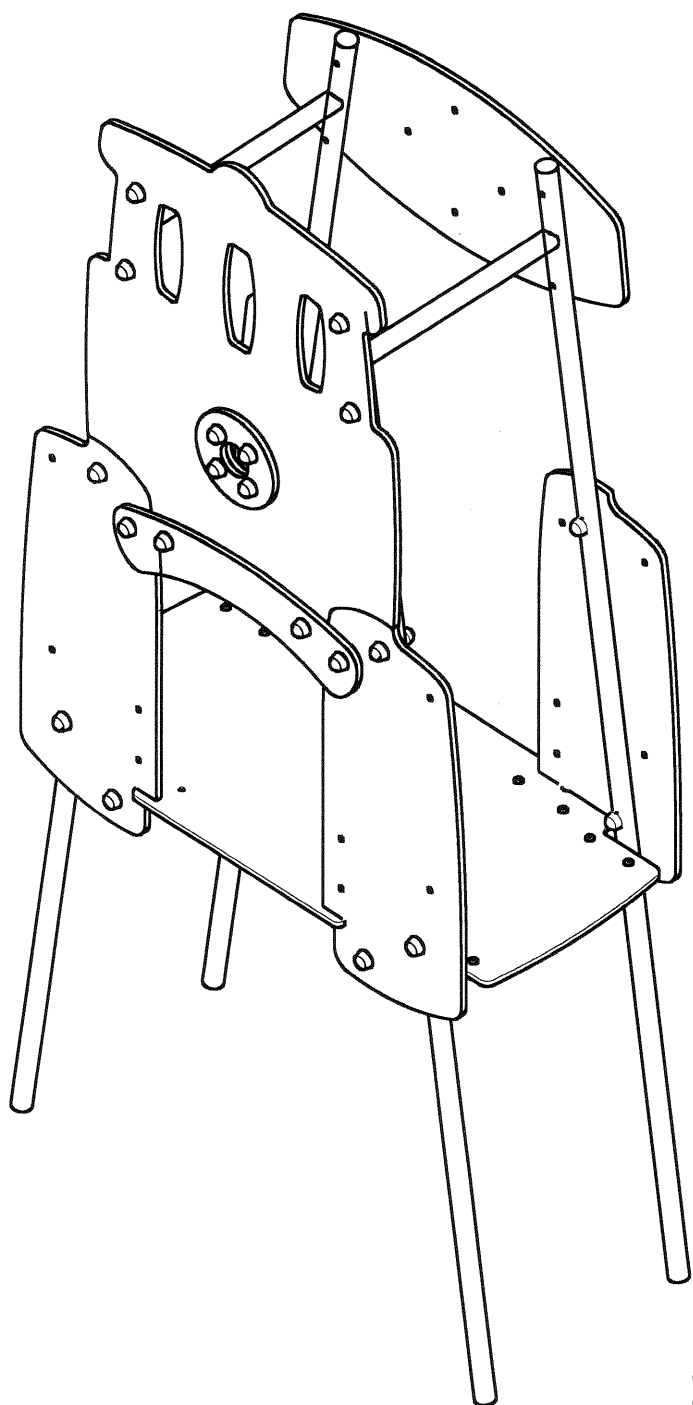
FR

Il est recommandé de ne pas orienter la glissière Sud / Sud Ouest

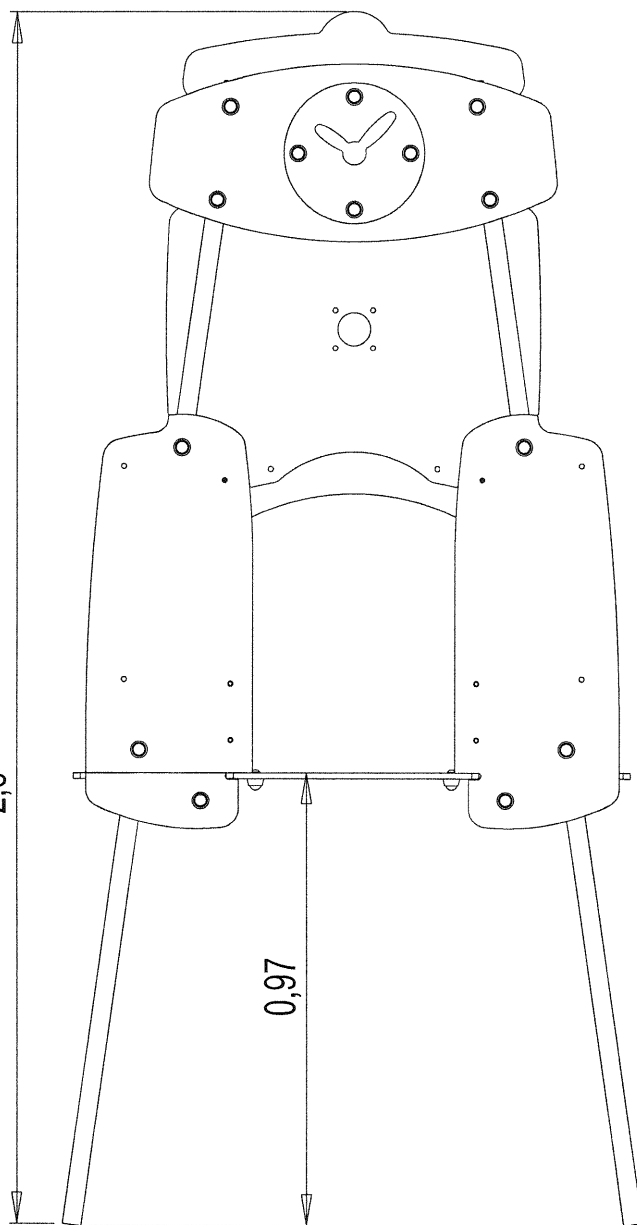


U4000

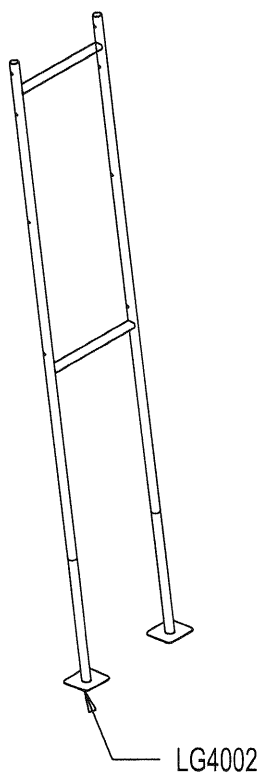
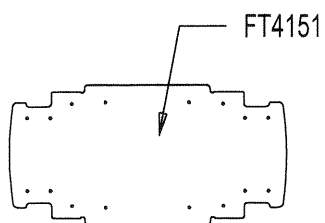
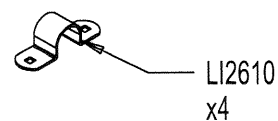
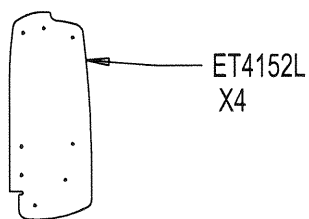
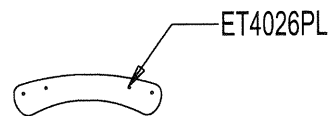
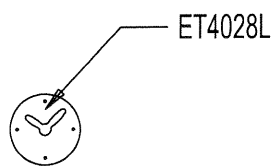
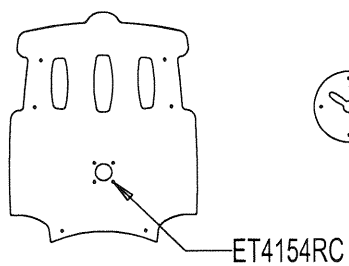
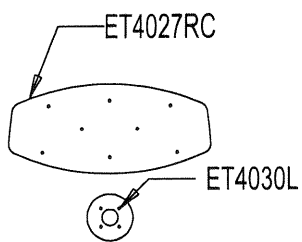
Réf	Qté
L4005	1
L4016	1
LI033	6
M10310N	2
M10440N	9
MI32N	6
MI2502N	6
MI2503N	13
U4000	1
VCBHC M10x40I	2
VCBHC M6x25I	12
VEBM6	12
VEFM10	9



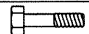



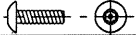
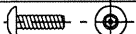




2,6

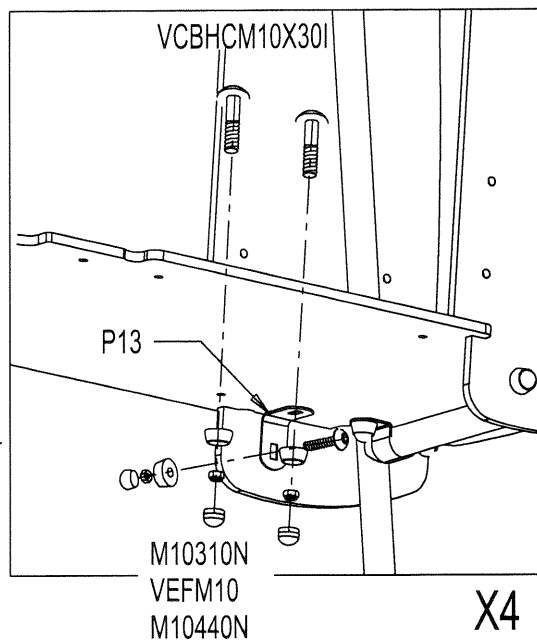
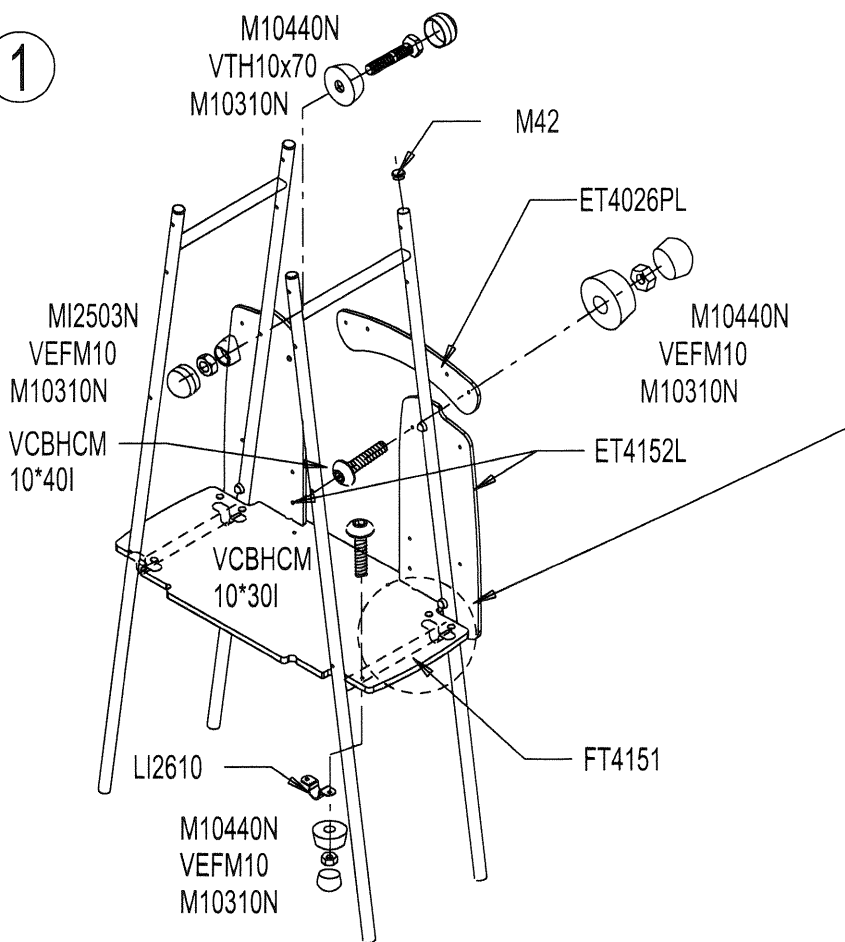


0,97

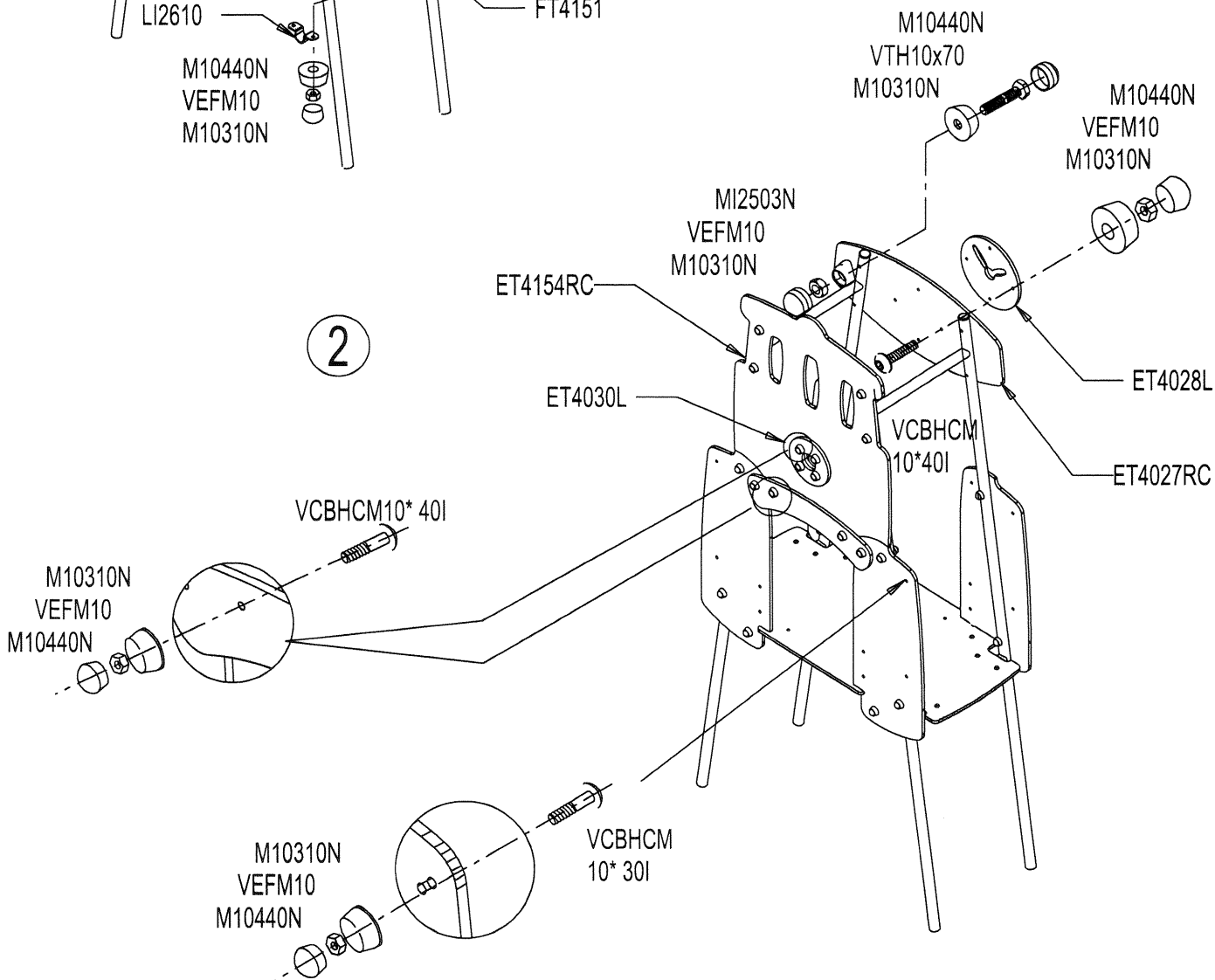


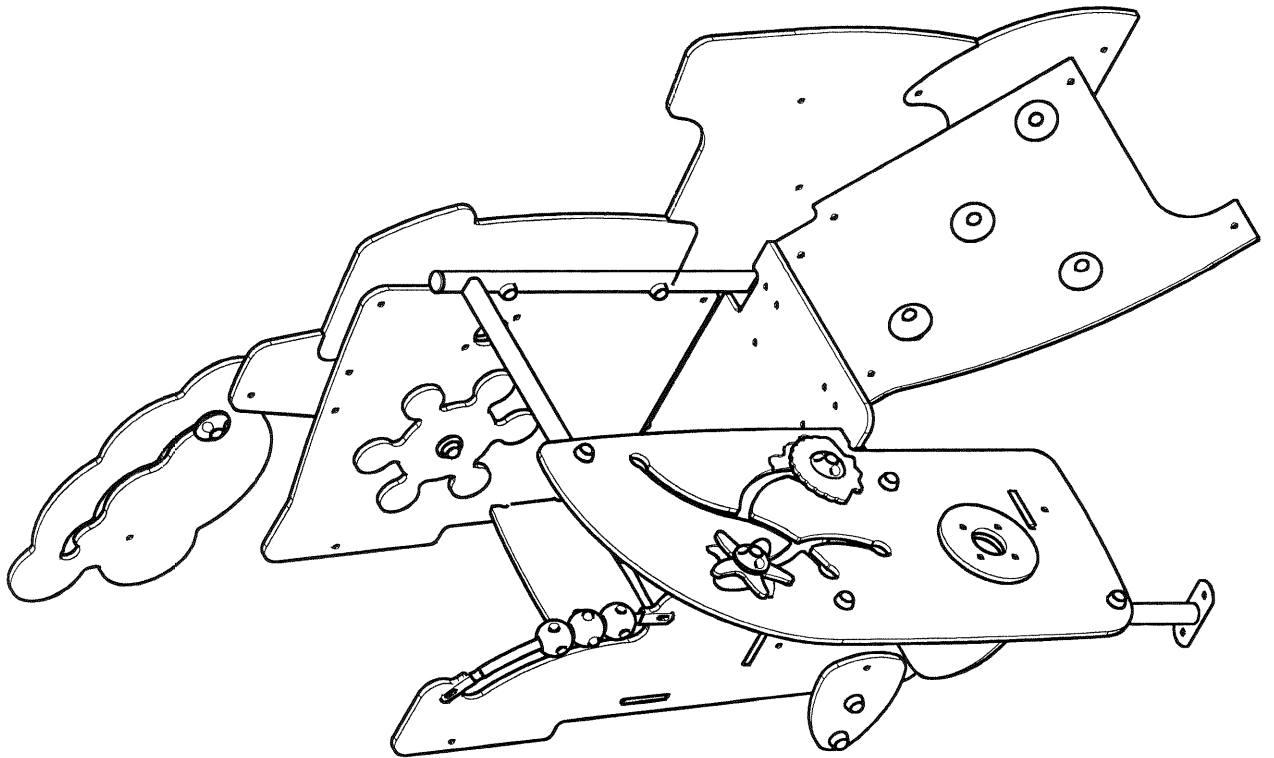
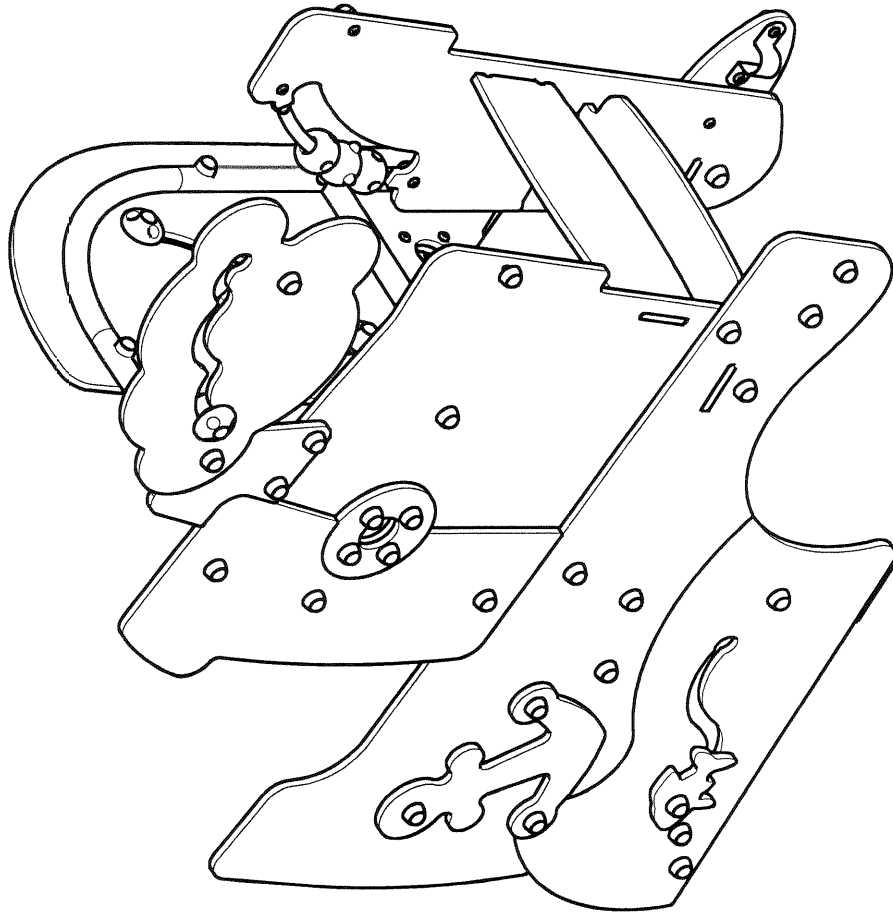
	MI2503N	16
	MI 800	2
	VTH 10x70	16
	70 mm :P13	4
	M42	4
	VEFM10	44
	VCBHCM10*30I	16
	VCBHCM10*40I	12
	M10310N	44
	M10440N	60

1



2

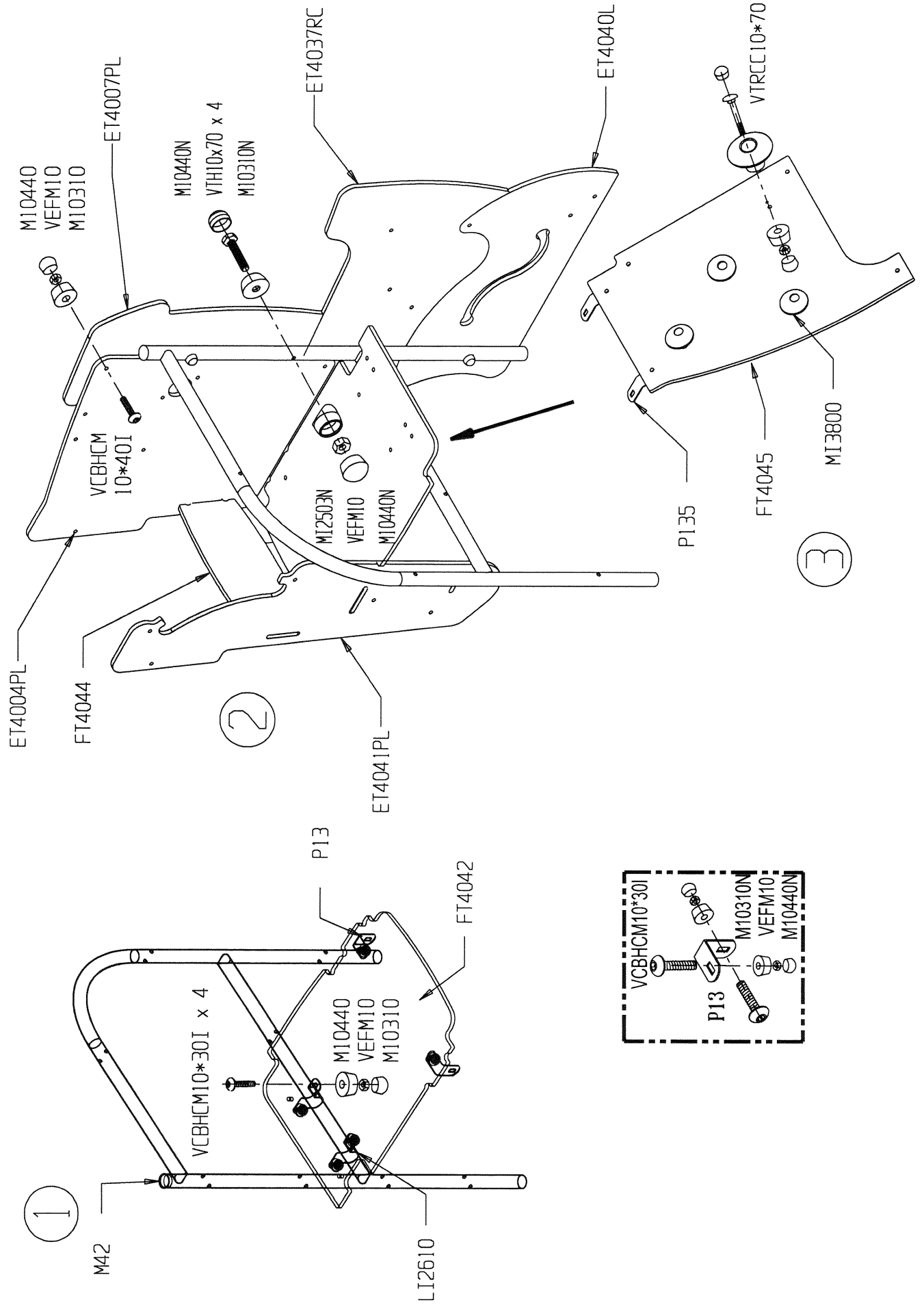




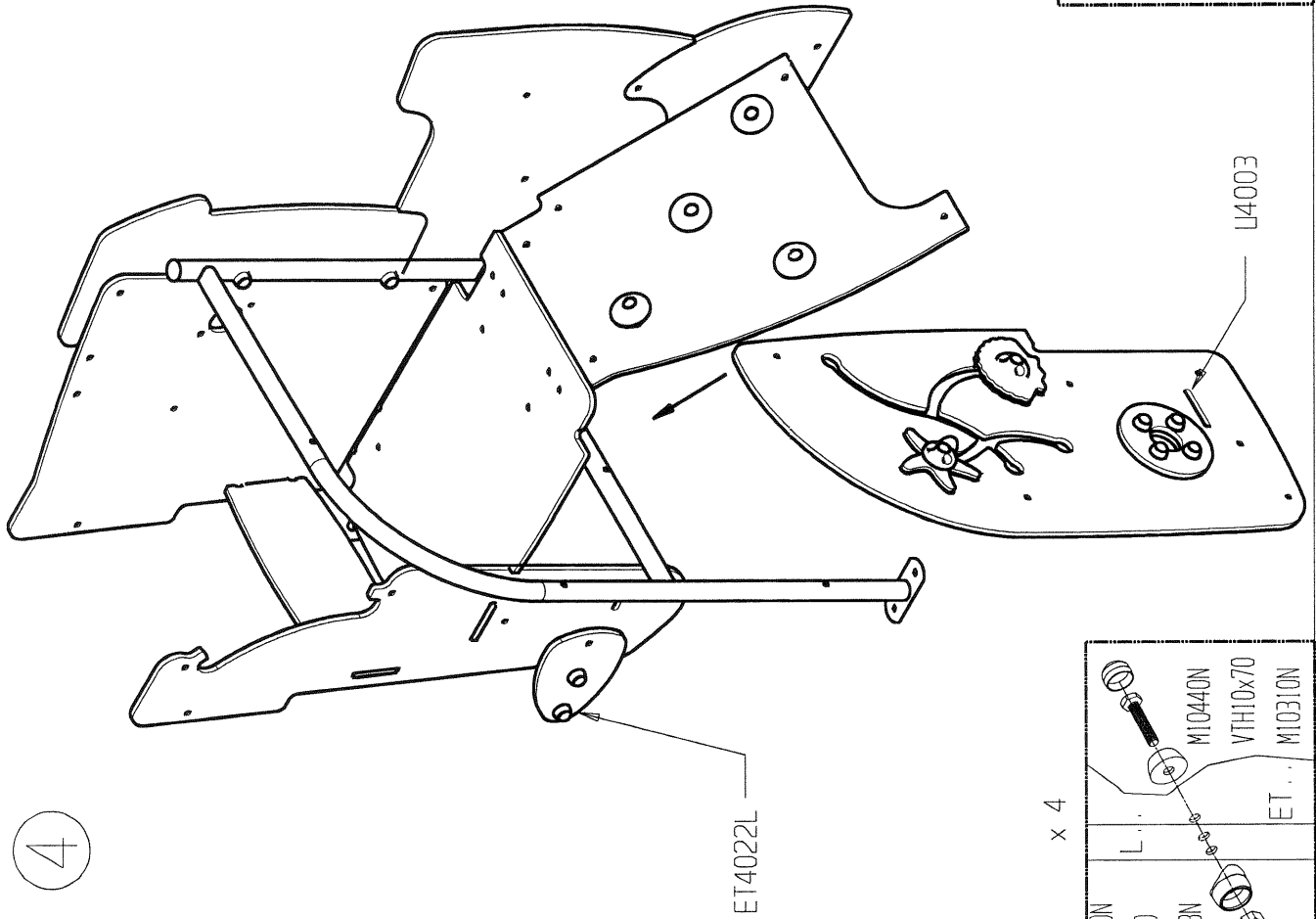
Exploded view diagram of a mechanical assembly. The diagram shows various components including a main frame (L4007), a top cover (L4003), a base plate (L4042), and several internal brackets and fasteners. The parts are labeled with codes and quantities:

- ET4022L x 1
- ET4039J x 1
- ET4004PL x 1
- ET2553PL x 1
- ET4042 x 1
- ET4043 x 1
- ET4038L x 1
- ET4030L x 1
- ET4007PL x 1
- ET4040L x 1
- ET4046J x 1
- ET4041PL x 1
- MI3800VX x 2
- MI3800J x 1
- MI3800D x 1
- LI2610 x 4
- FT4044 x 1
- FT4045 x 1
- LI608 x 1
- MI810N x 2
- MI904 x 1
- MI2614 x 1
- MI4700 x 2
- L4007 x 1
- L4003 x 1

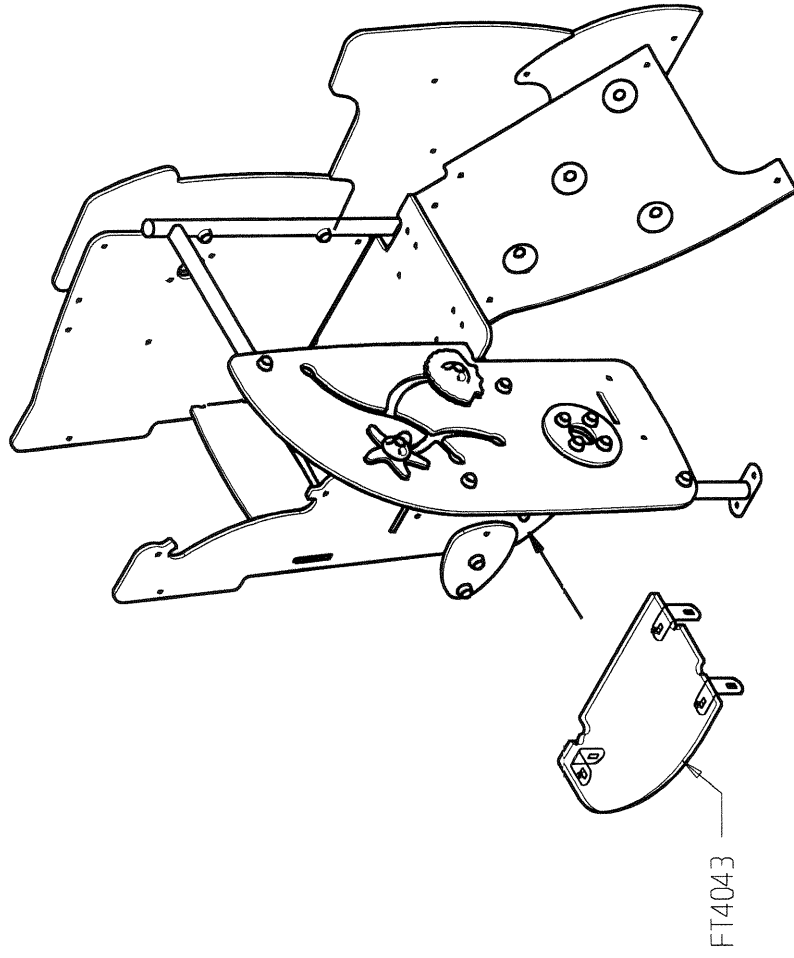
	VEFM10	57
	70 mm :P13	7
	MI2503N	8
	M42	4
	135° :P135	2
	MI323J	3
	M10310N	59
	M10440N	69
	VCBHC10x30I	30
	VCBHC10x40I	17
	VTH 10x60	2
	VTH 10x70	8
	VTH 10x90	1



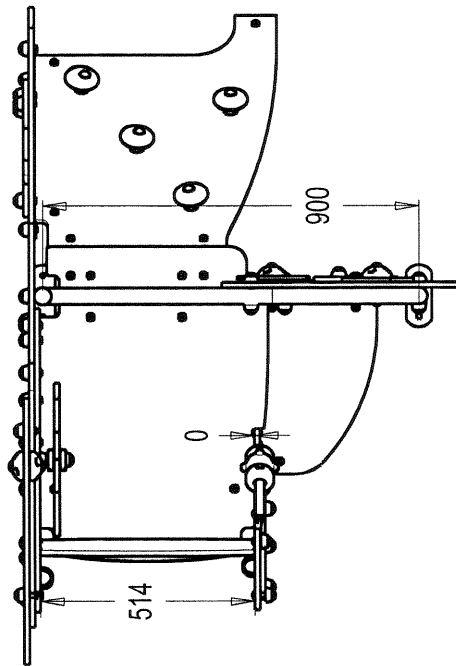
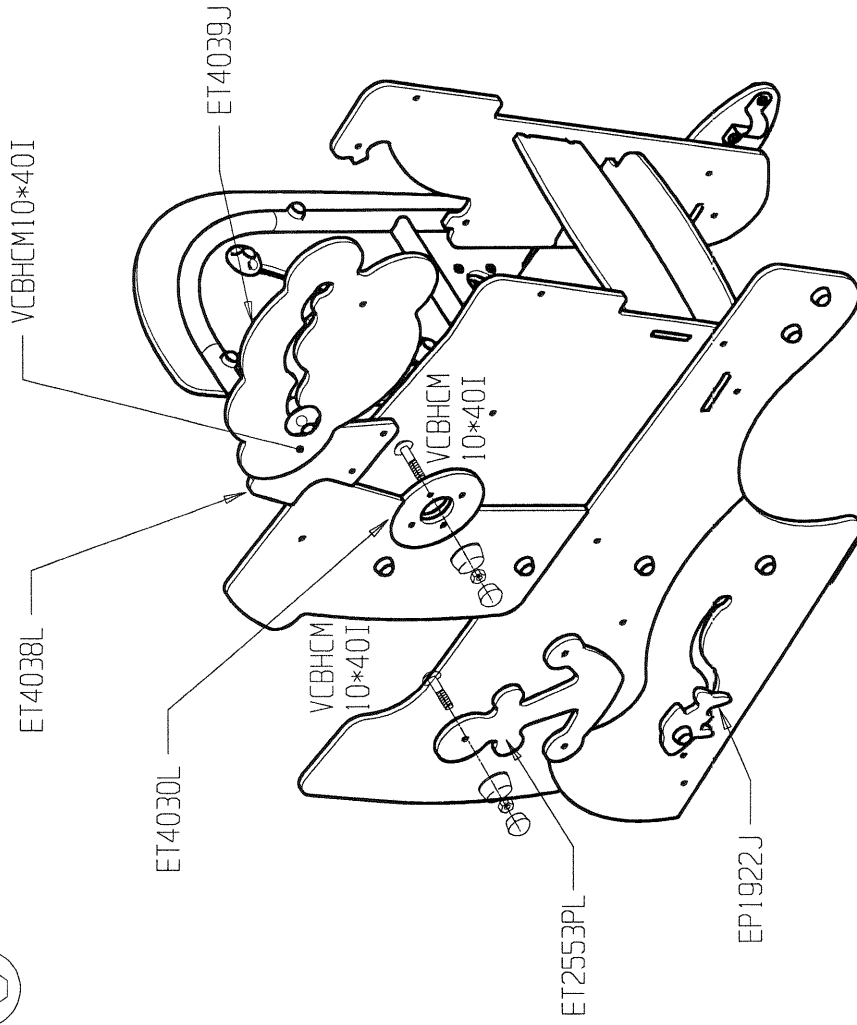
4



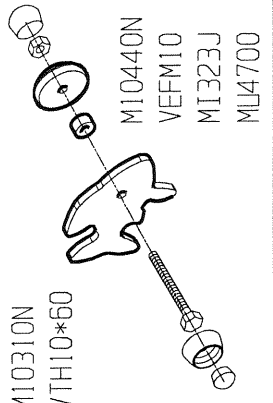
5



6

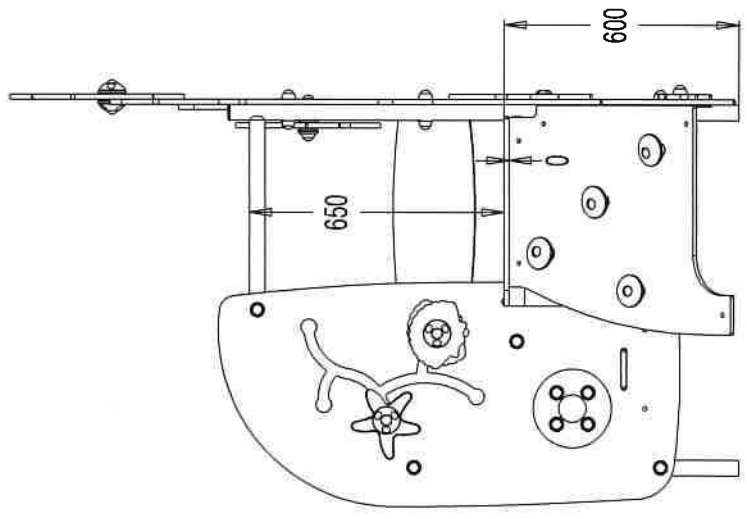
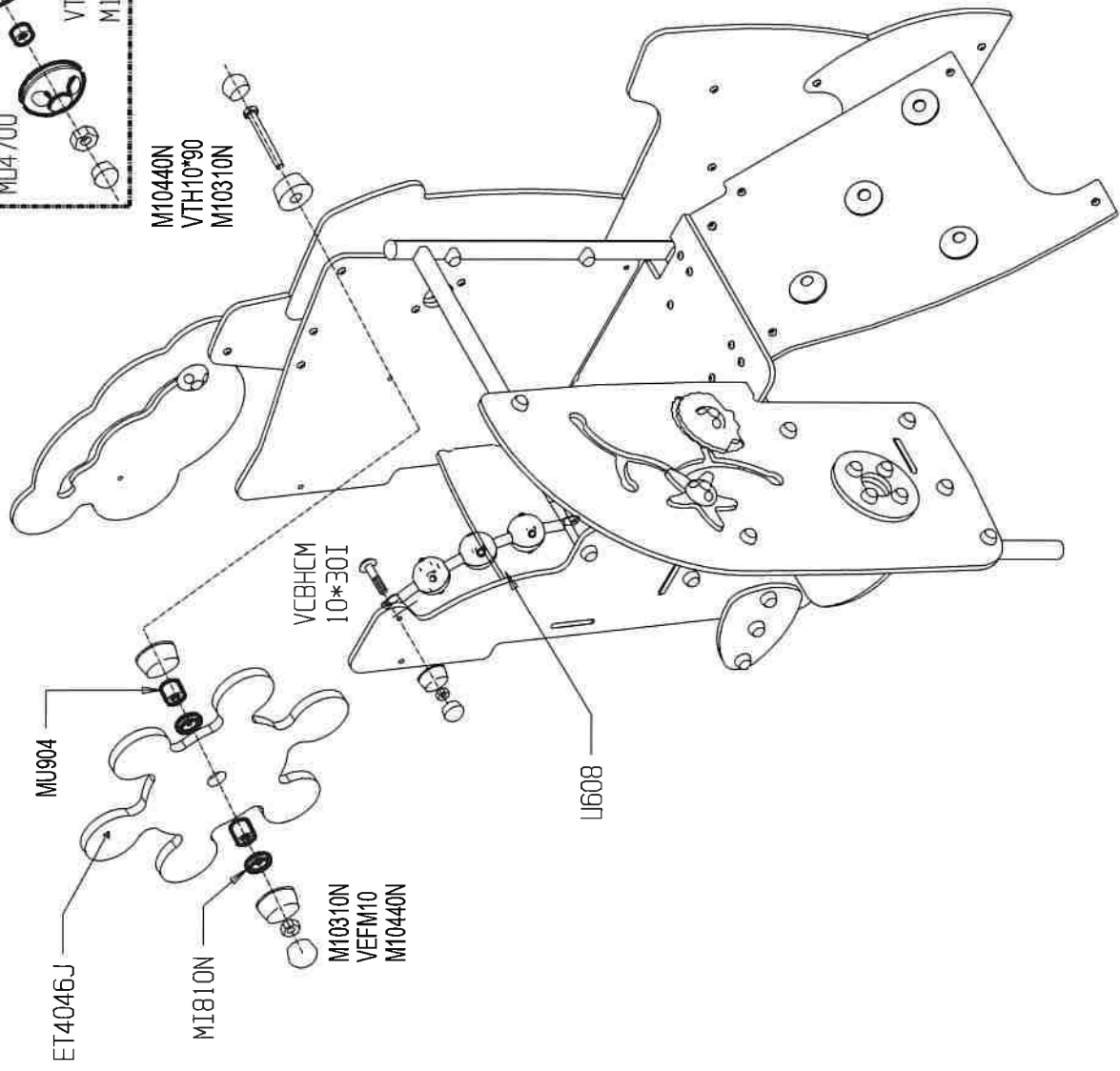


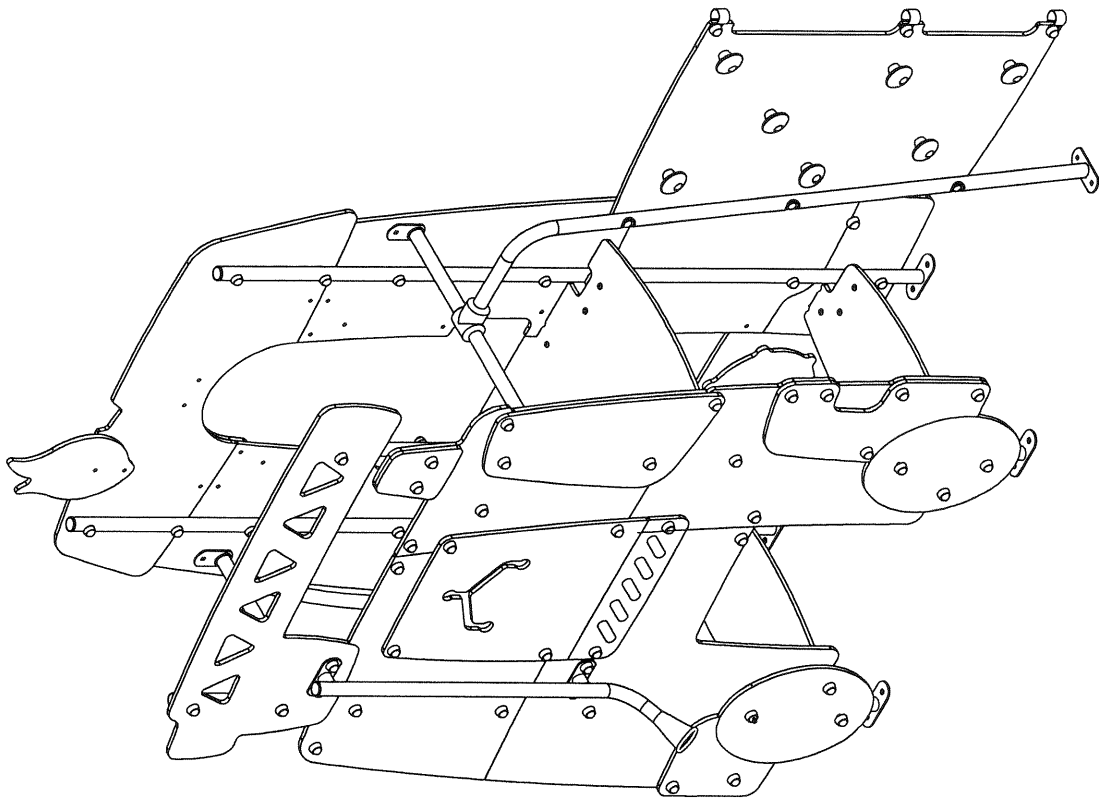
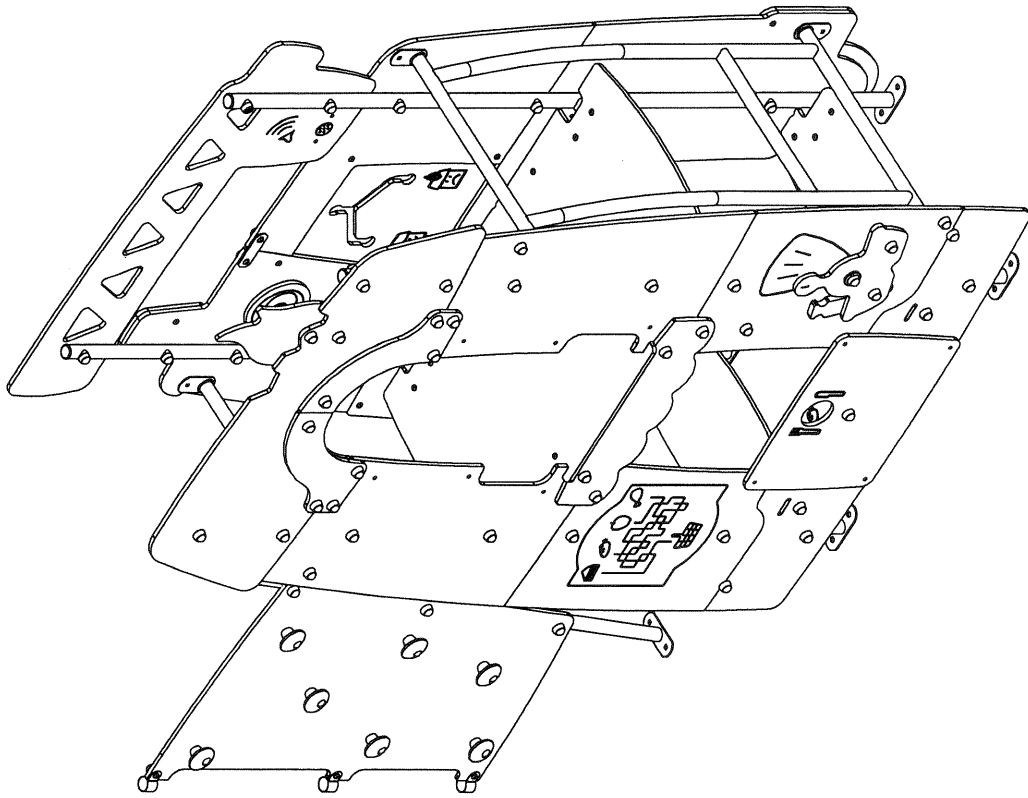
M10440N
M10310N
VTH10*60

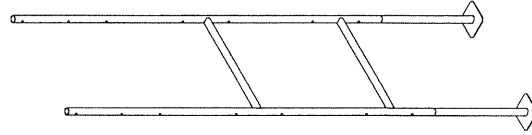
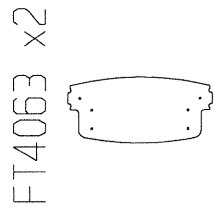
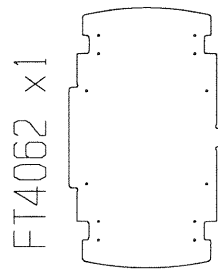
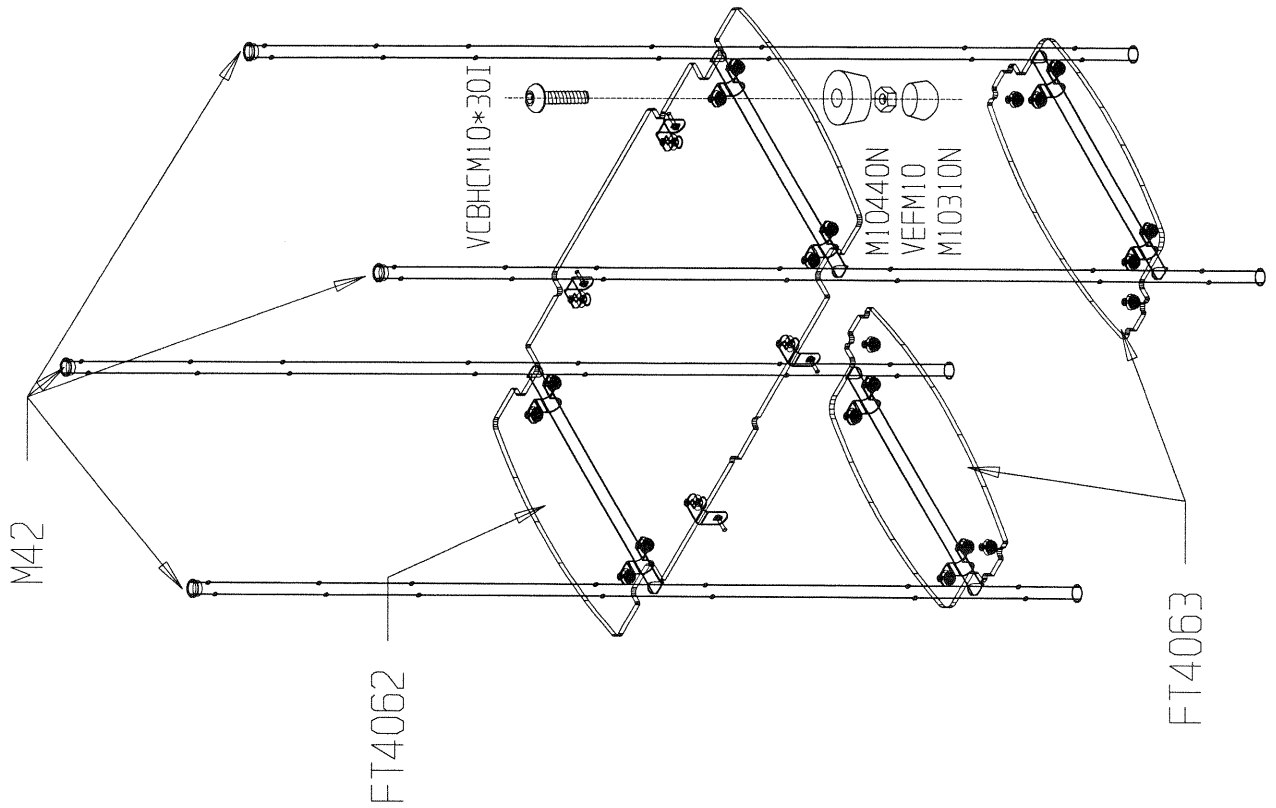


7

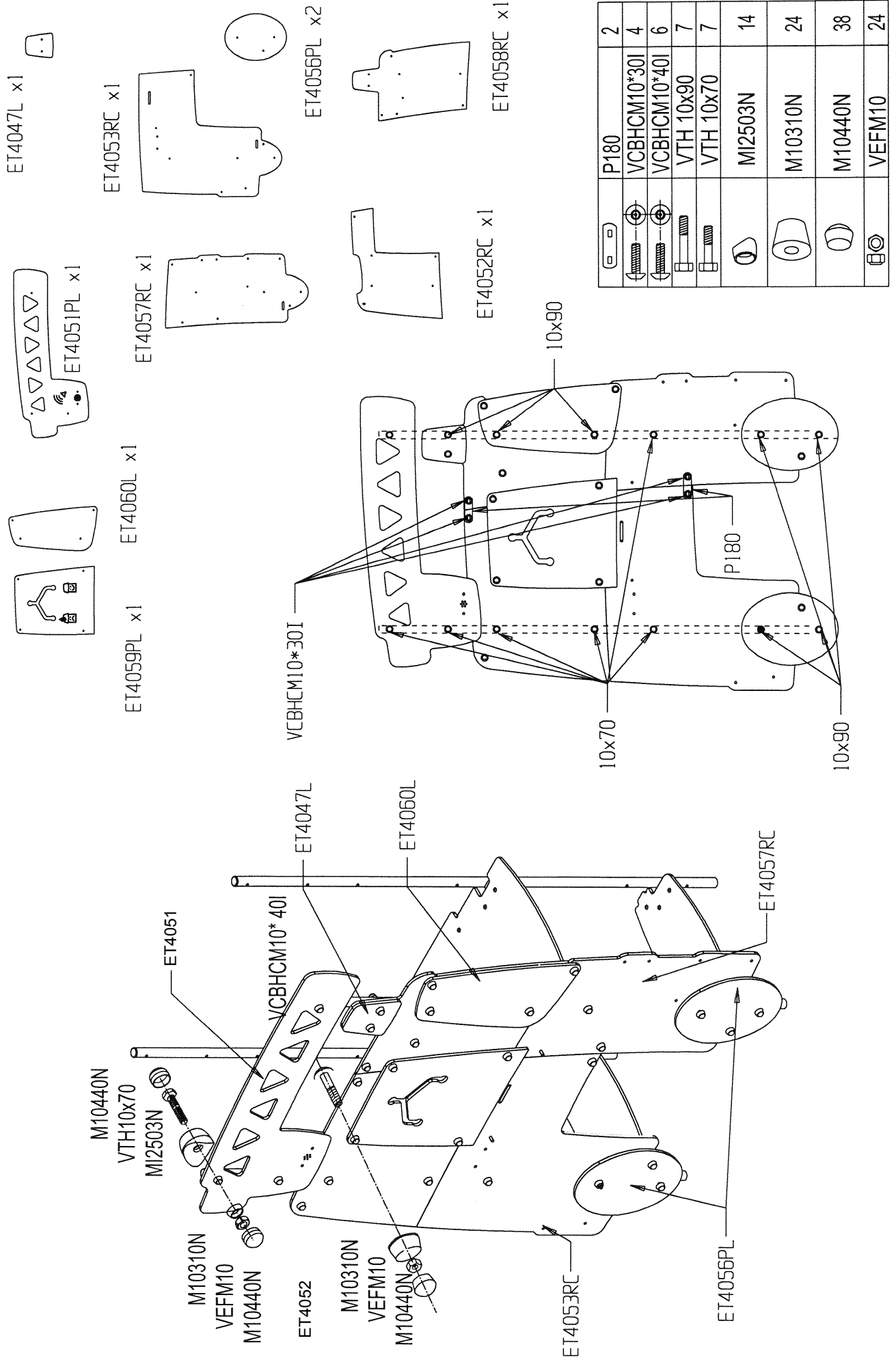
- VEFM10
- MI323J x 2
- MU4700
- VTH10x60
- M10440N x 2



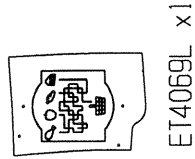
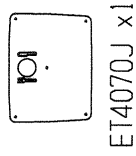
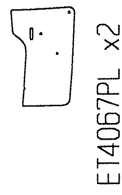
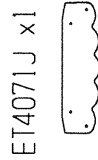
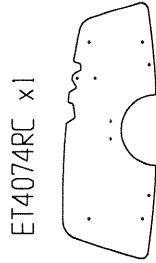
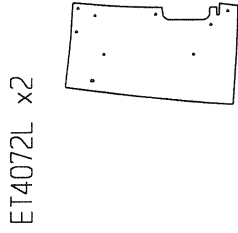
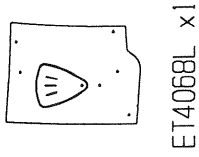
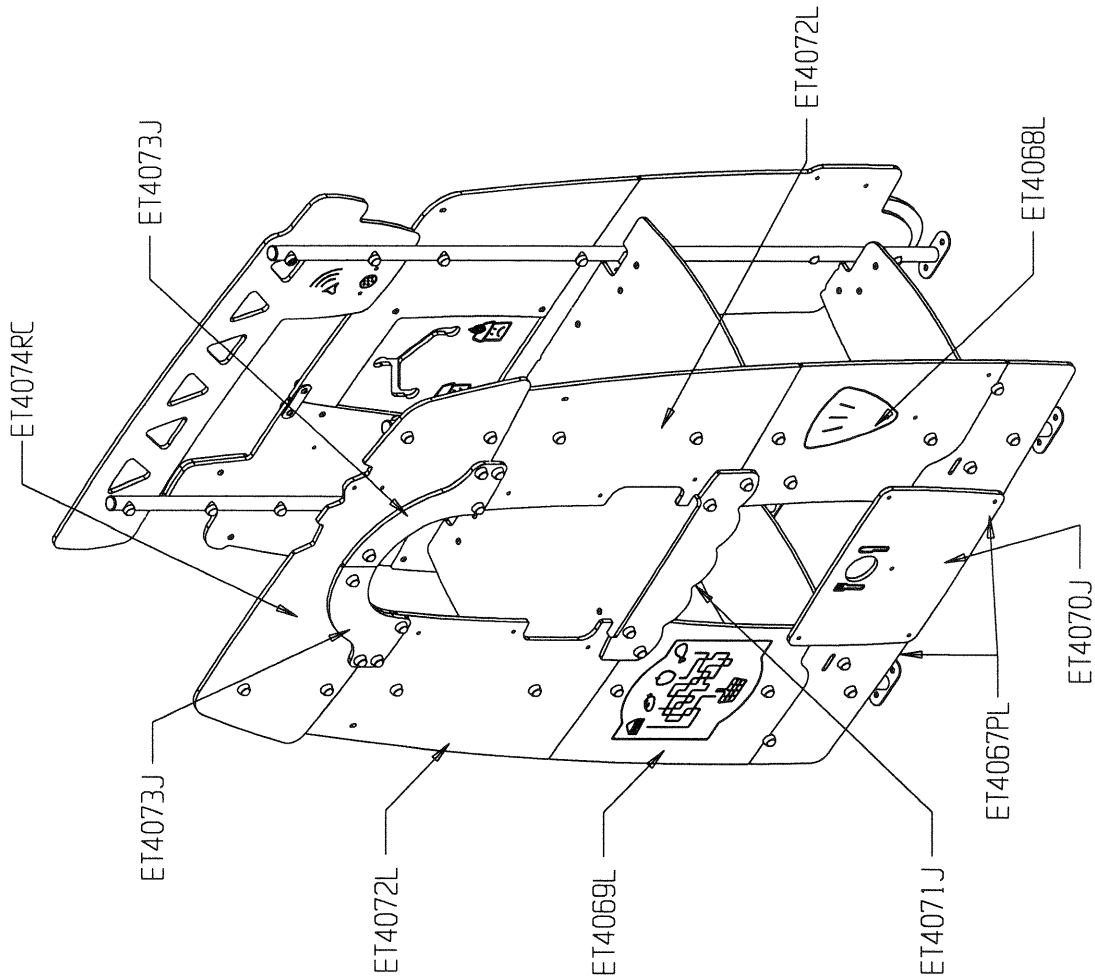




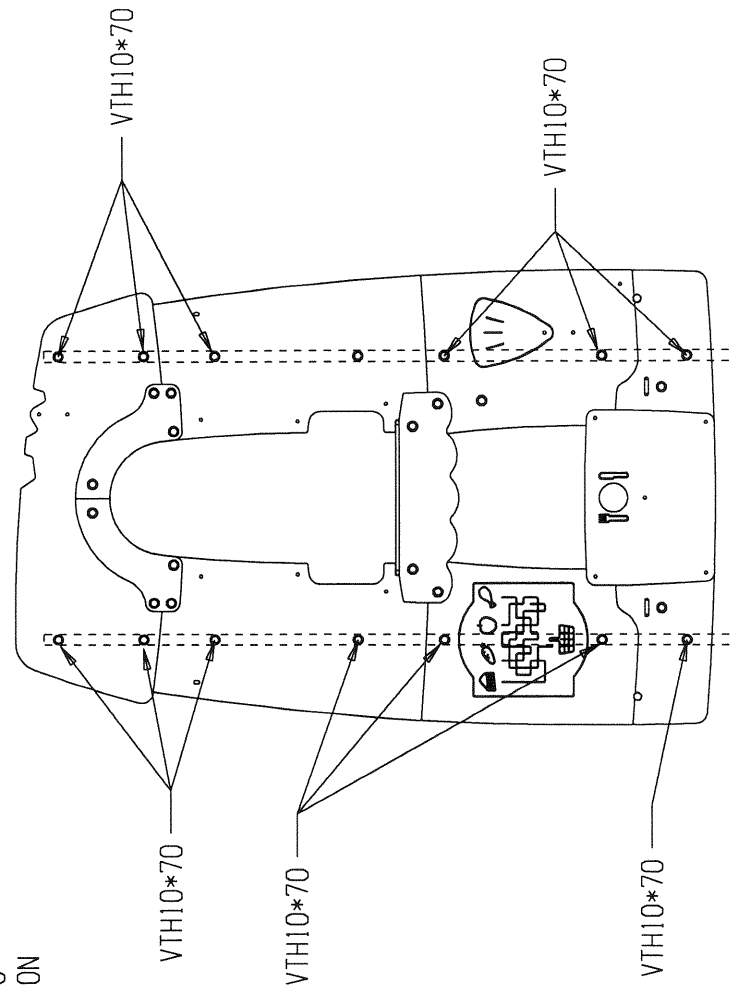
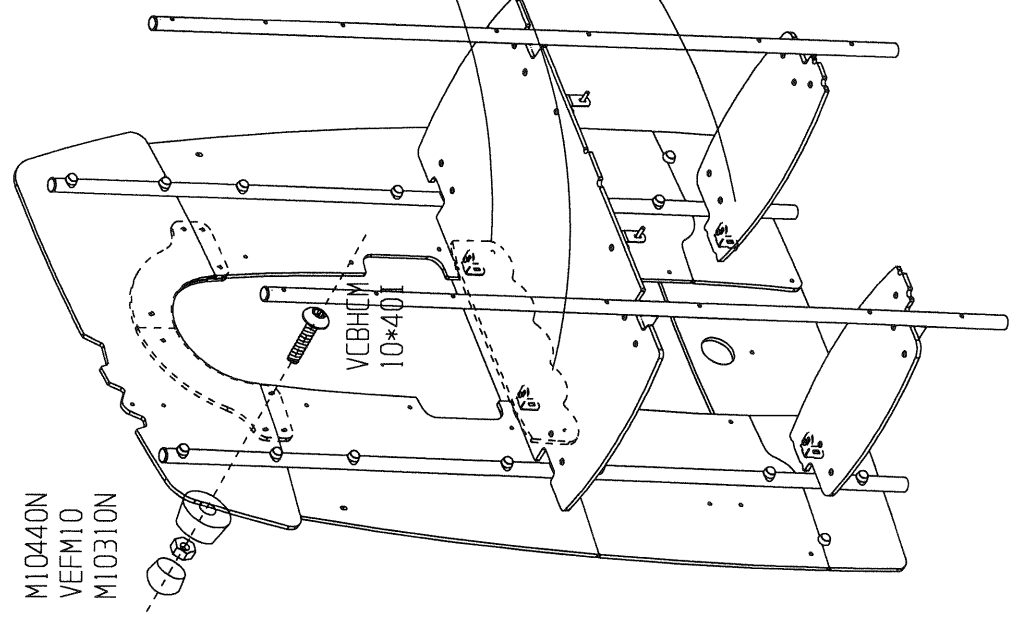
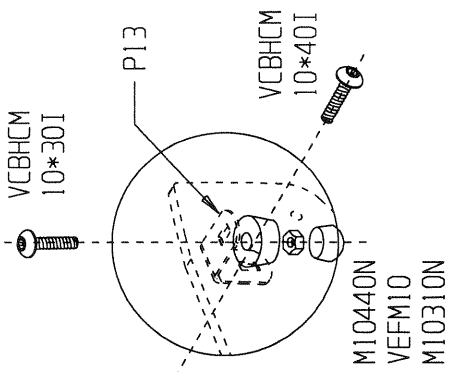
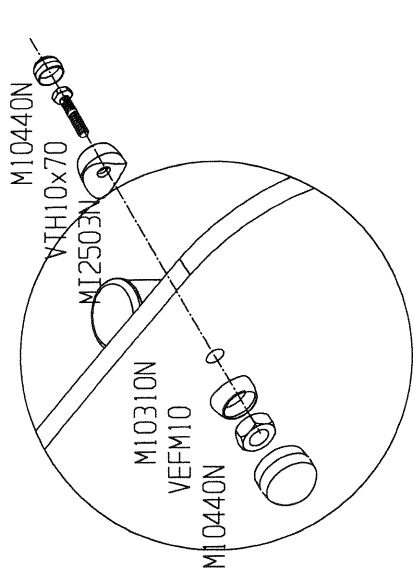
	M42	4
	VEFM10	16
	VCBHC10*30I	16
	M10310N	16
	M10440N	16

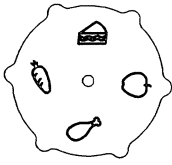
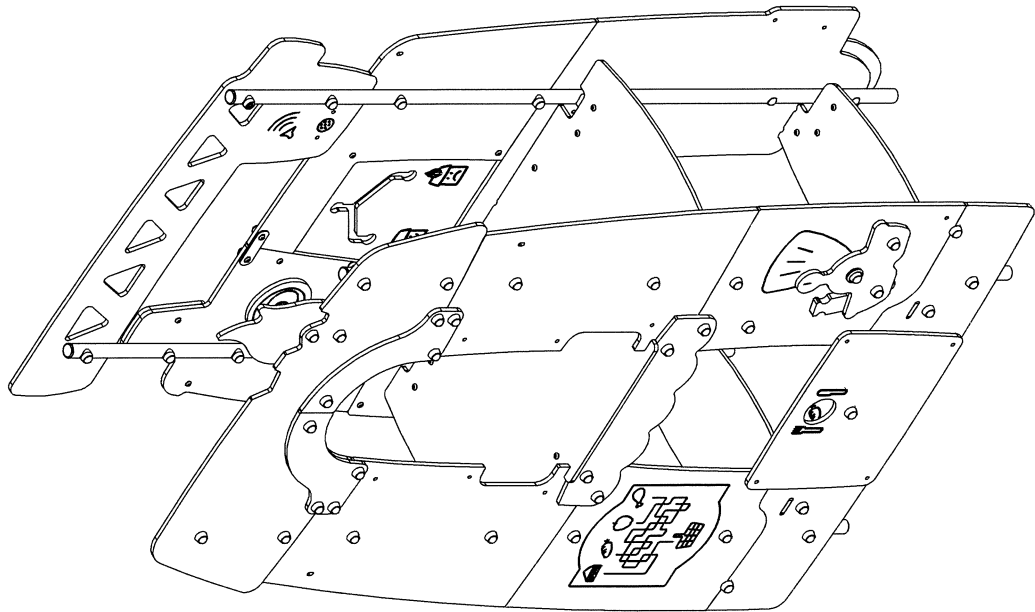


	P180	2
	VCBHCM10*30I	4
	VCBHCM10*40I	6
	VTH 10x90	7
	VTH 10x70	7
	MI2503N	14
	M10310N	24
	M10440N	38
	VEFM10	24

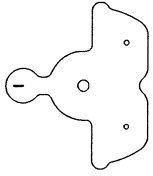


	VCBHC10*40I	16
	VCBHC10*30I	6
	70 mm :P13	4
	VTH 10x70	14
	MI2503N	14
	M10310N	34
	M10440N	48
	VEFM10	34





ET4066J x1

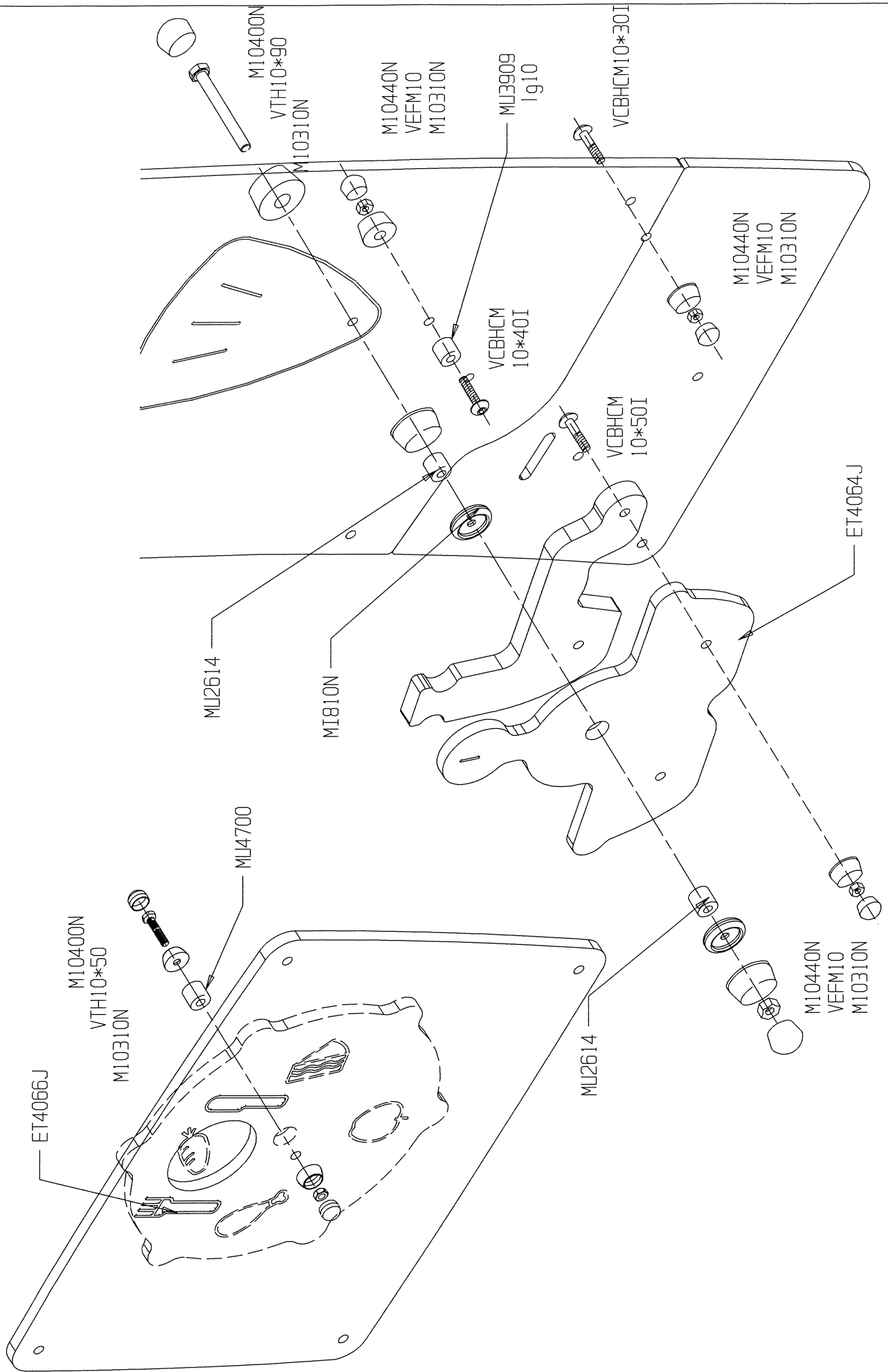


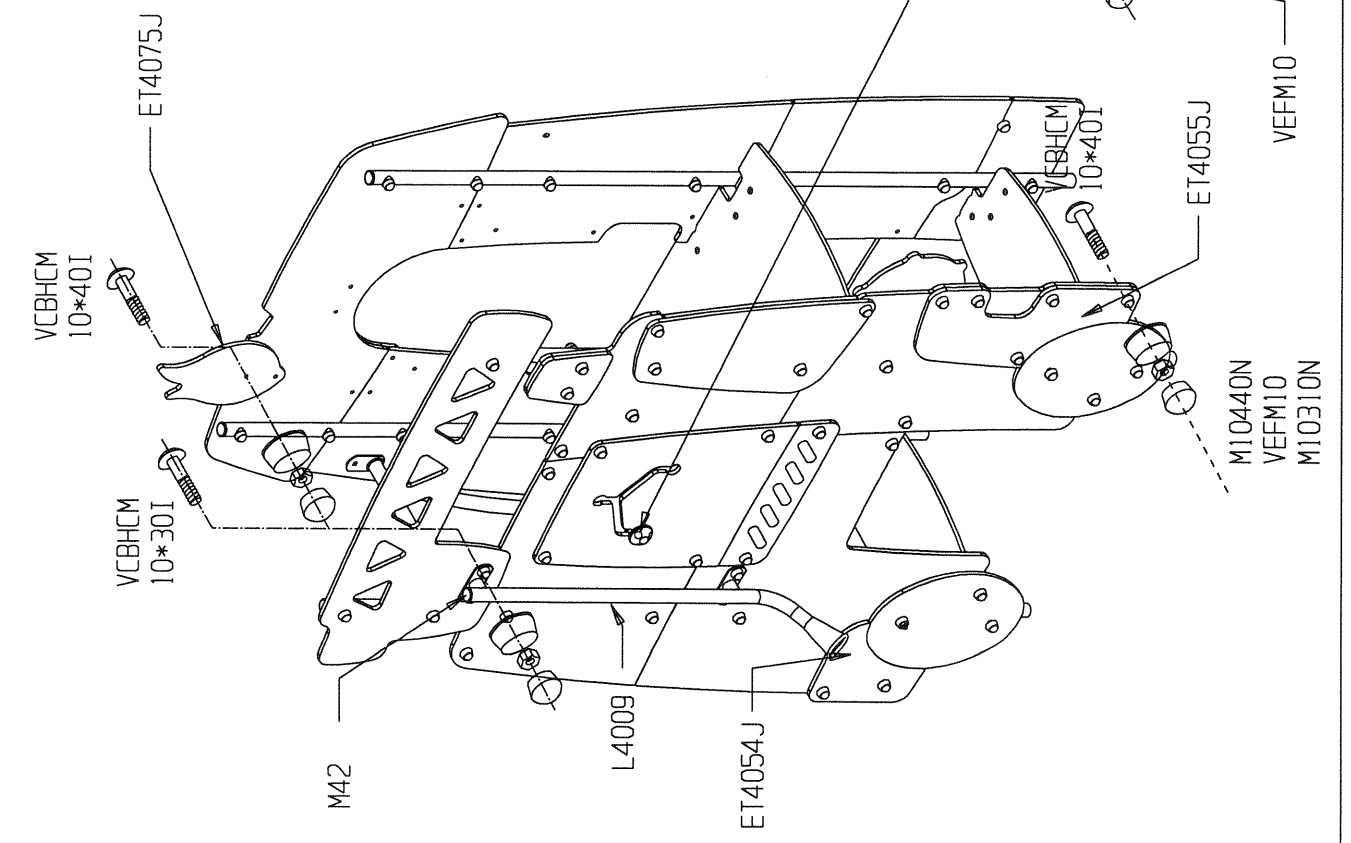
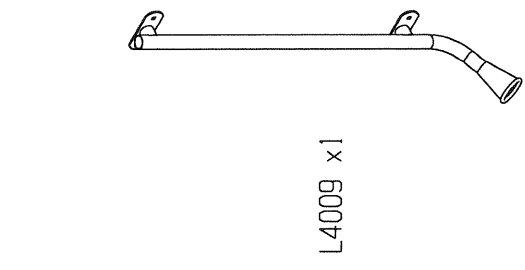
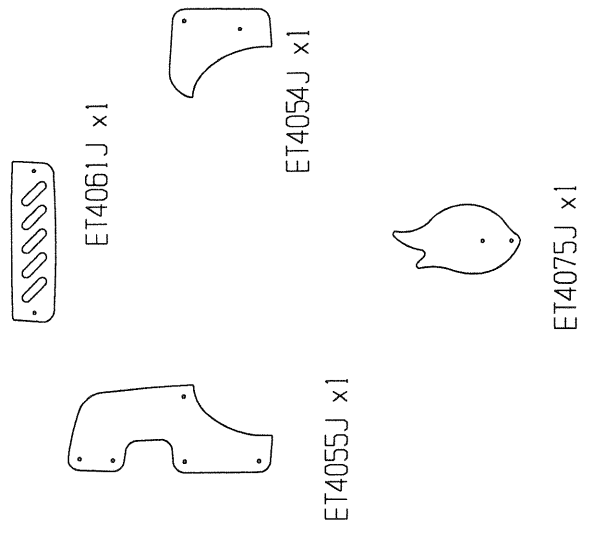
ET4064J x1

EP4065N x1

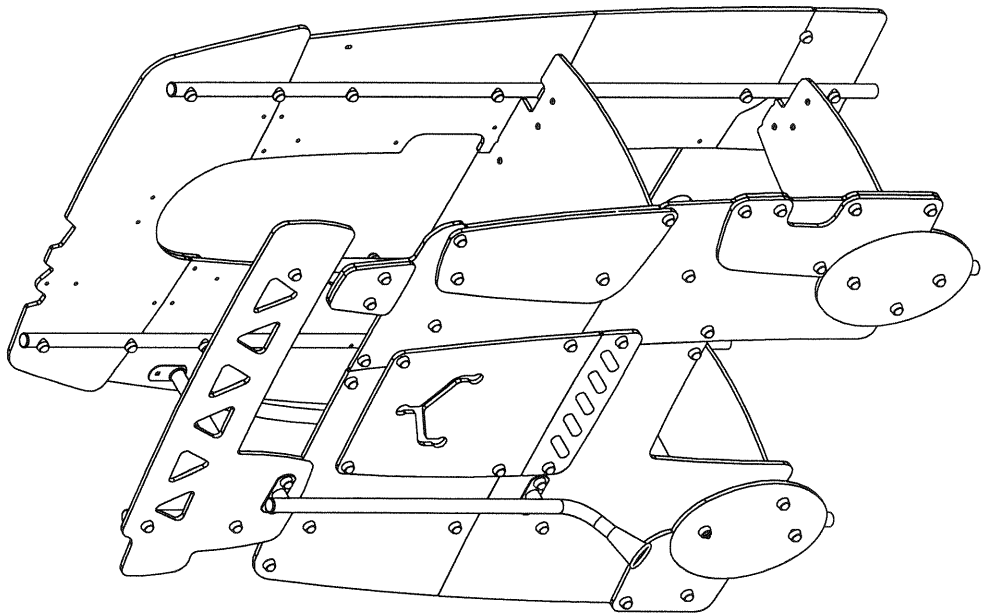


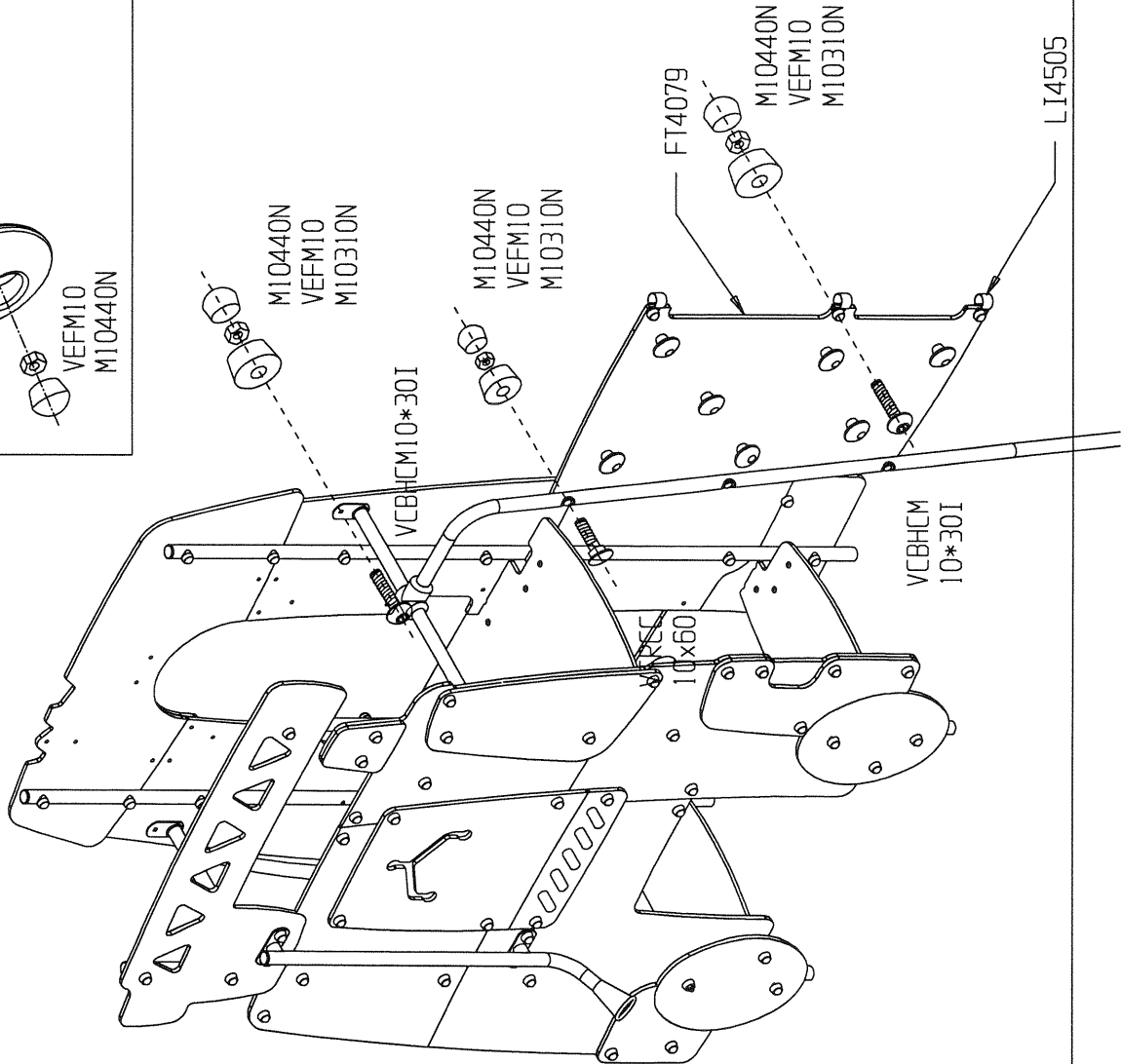
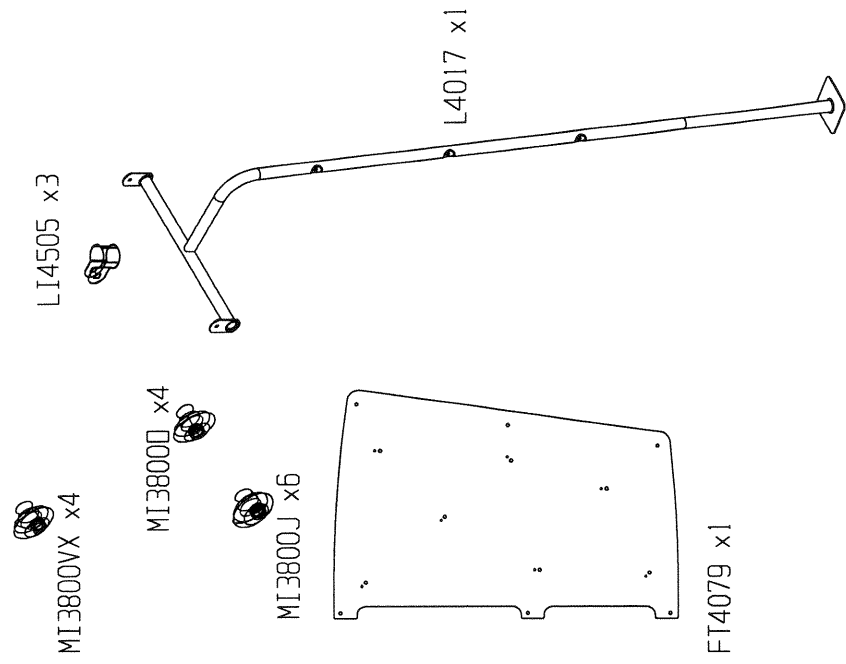
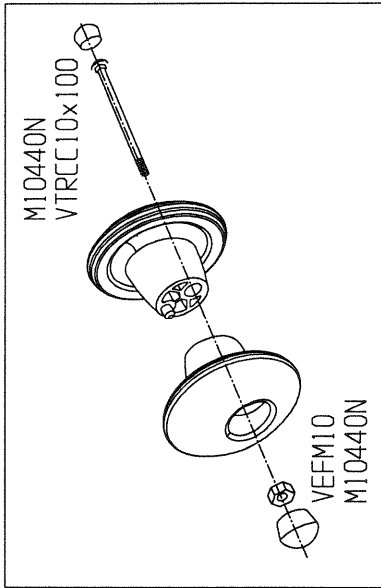
	MLJ3909	Ig10	1
	MLJ2614	Ig24	2
	MLJ4700	Ig15	1
	MI810N		2
	VTH	10x90	1
	VTH	10x50	1
	VEFM10		6
	VCBHC10*30I		1
	M10310N		9
	M10440N		8
	VCBHC10*40I		1
	VCBHC10*50I		2



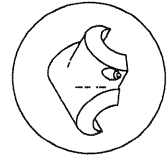


	M42	1
	VTH 10x60	1
	MI323J	2
	ML4700	1
	VEFM10	13
	VCBHCM10*40I	8
	VCBHCM10*30I	4
	M10310N	12
	M10440N	14





	VEFM10	15
	M10310N	7
	M10440N	22
	VCBHCM10x30I	5
	VCBHCM6x25I	4
	VEBM6	4
	VTRCC10x100	7
	VTRCC10x60	3



MI2502N X 2

