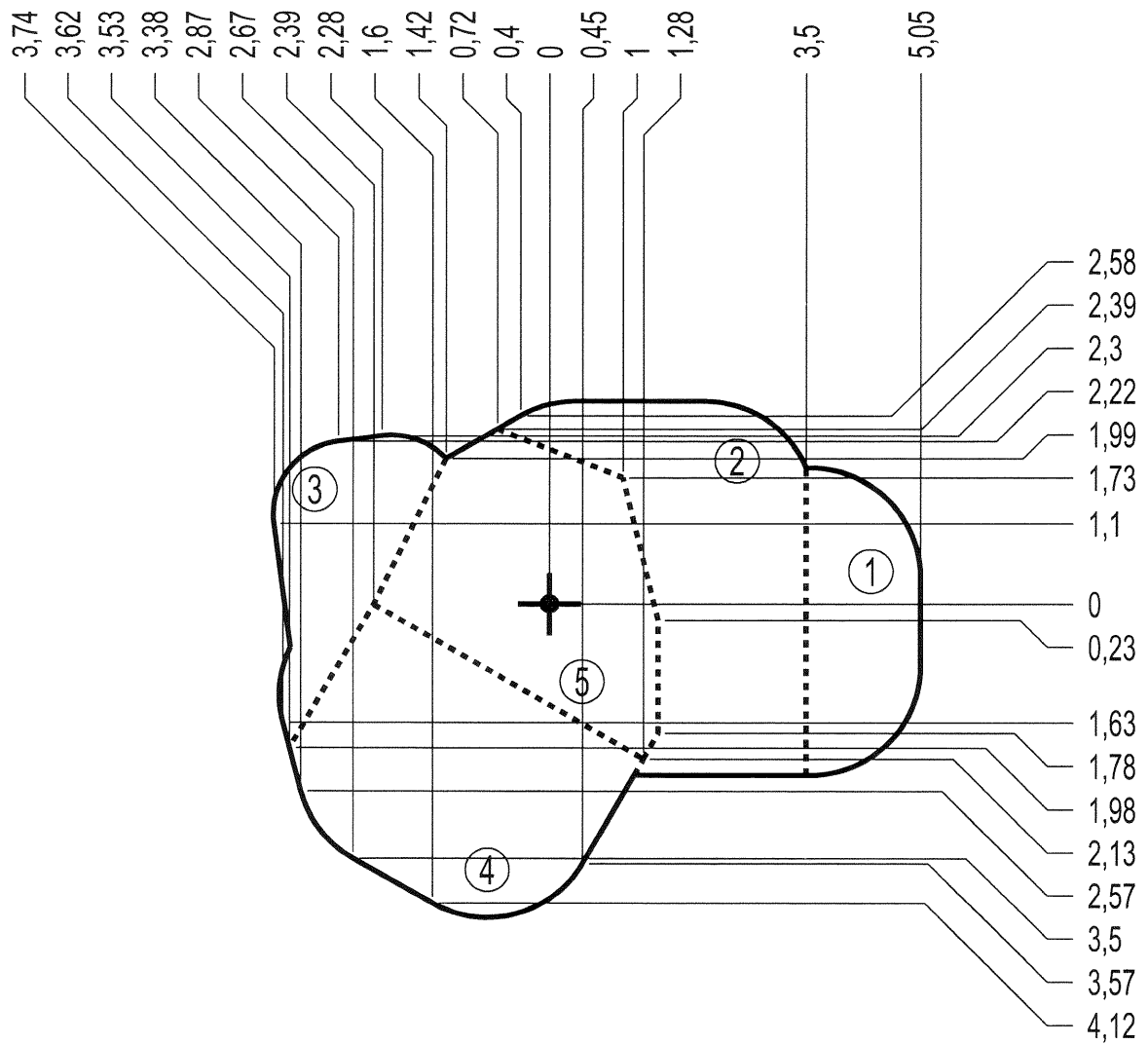






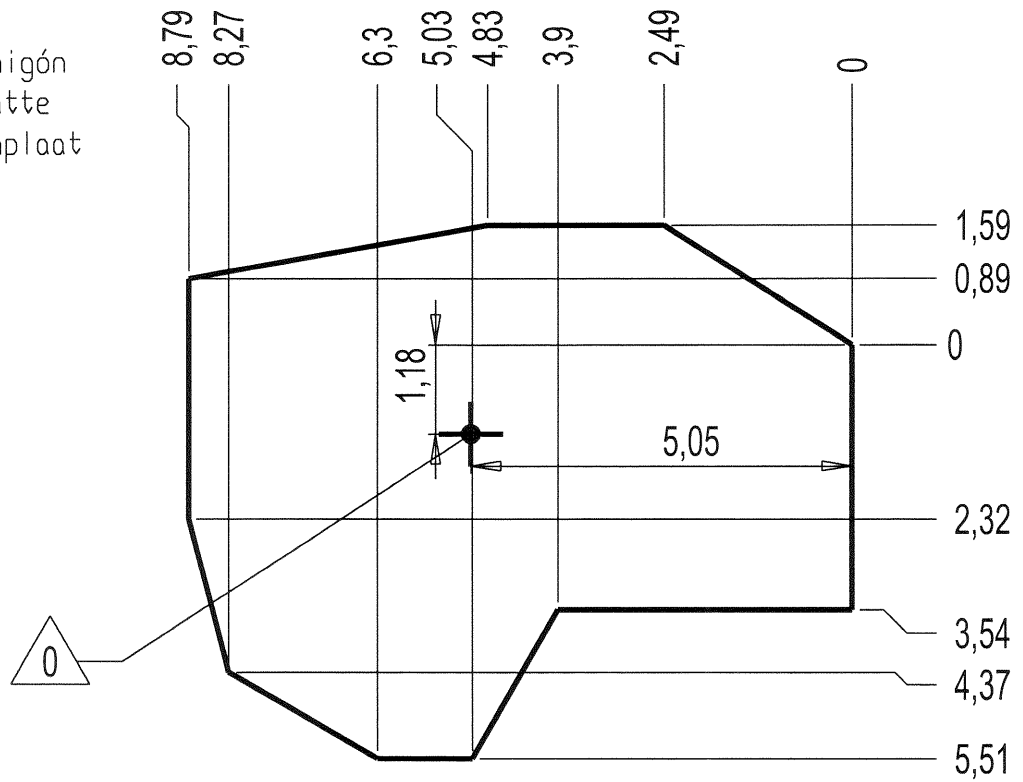


— Sol souple 47 m<sup>2</sup>  
 Wetpour  
 Caucho Continuo  
 Synthetischer Fallschutz  
 Gietvloer



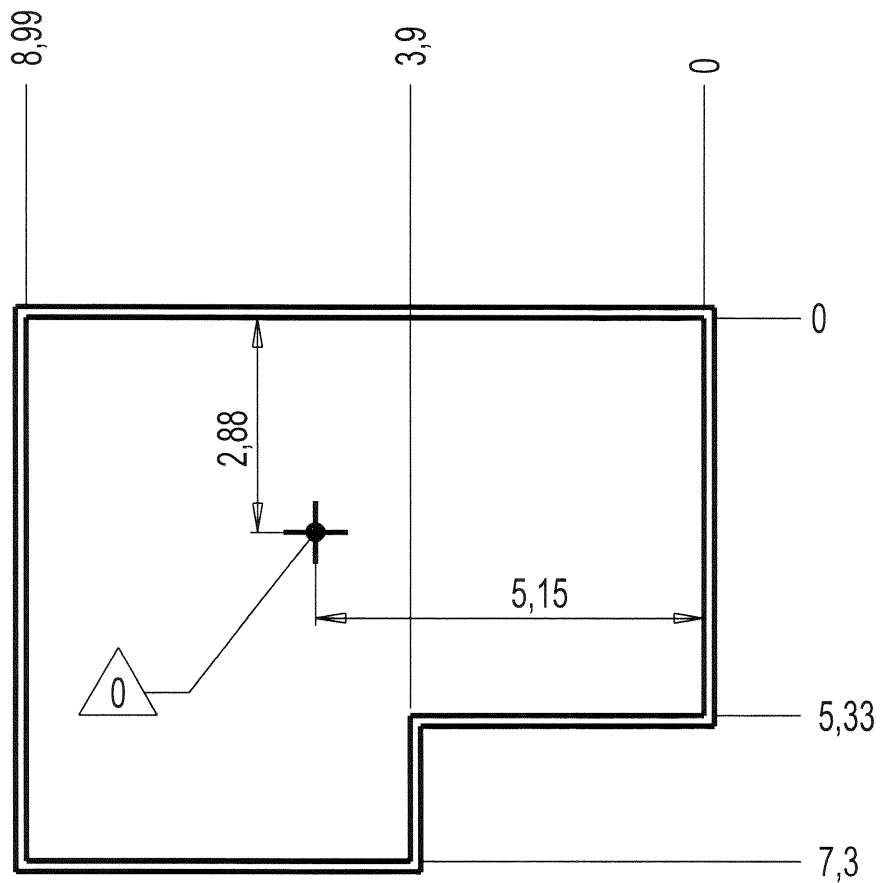
— Dalle béton  
 Concrete pad  
 Solera de Hornigón  
 Beton Bodenplatte  
 Betonnen bodenplaat

28 m  
 48 m<sup>2</sup>

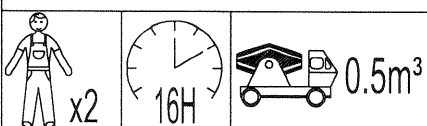
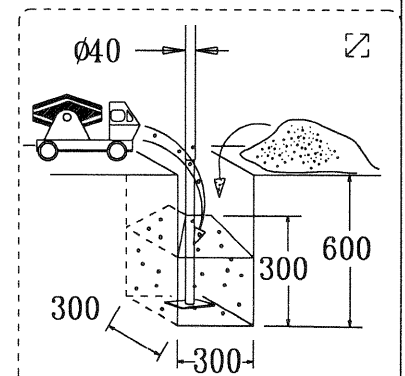
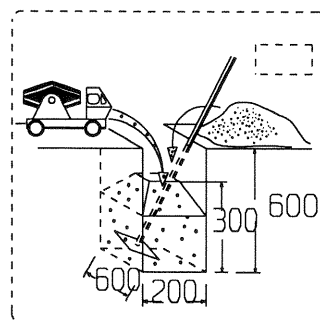
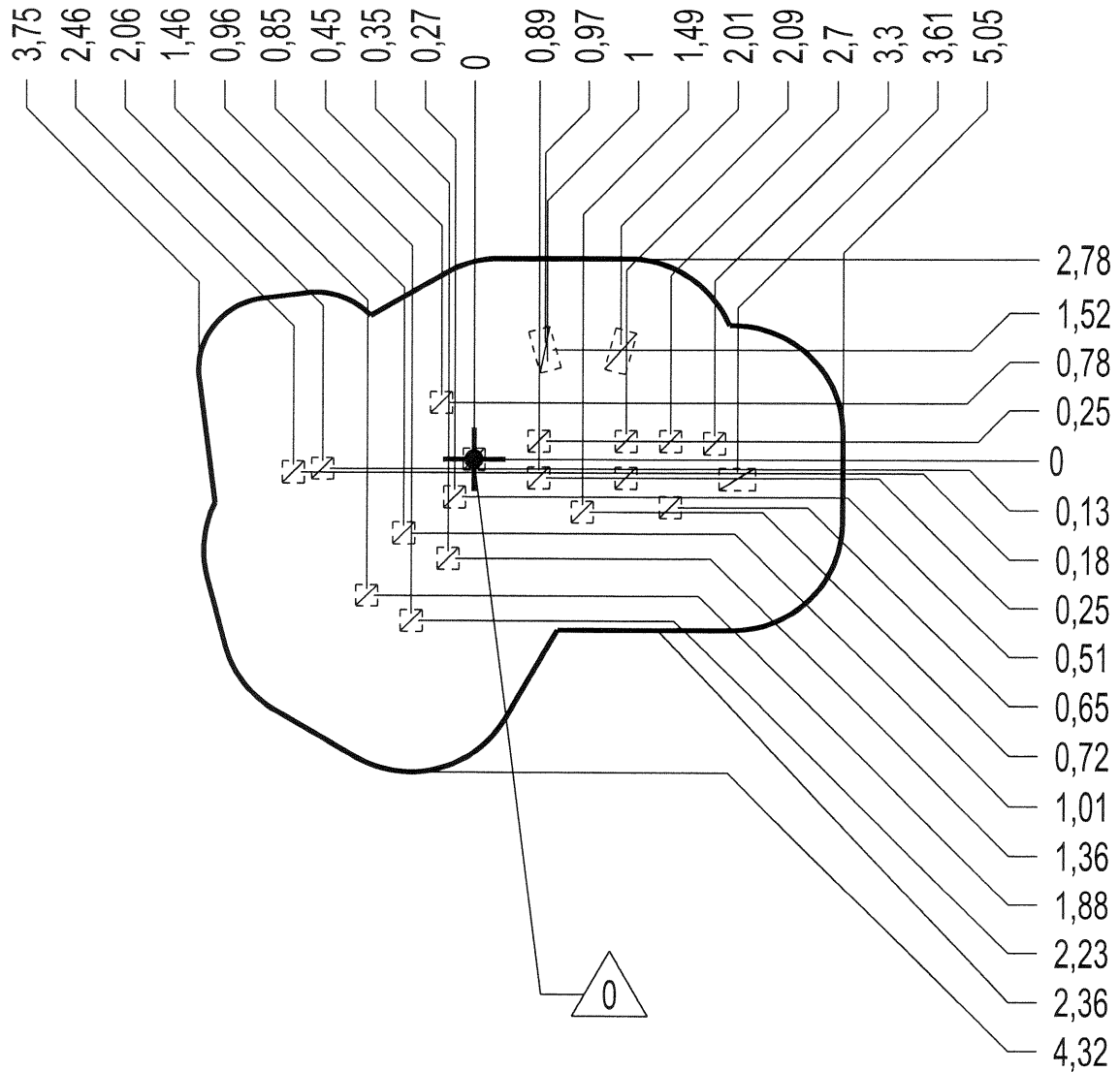


— Sol fluent  
 Loose particle material  
 Arenero  
 Loses Bodenmaterial  
 Los bodenmaterial

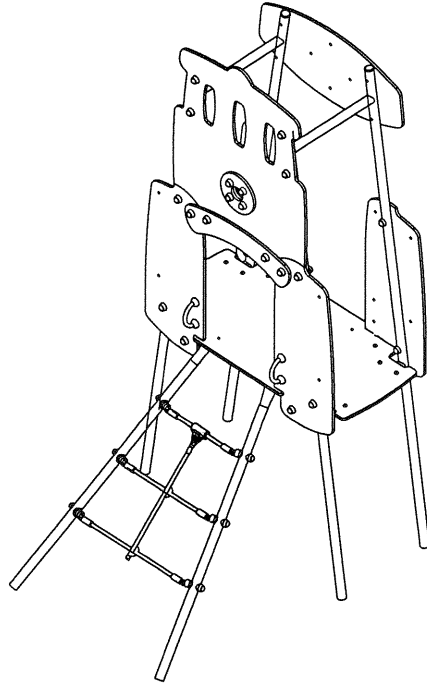
34 m  
 59 m<sup>2</sup>



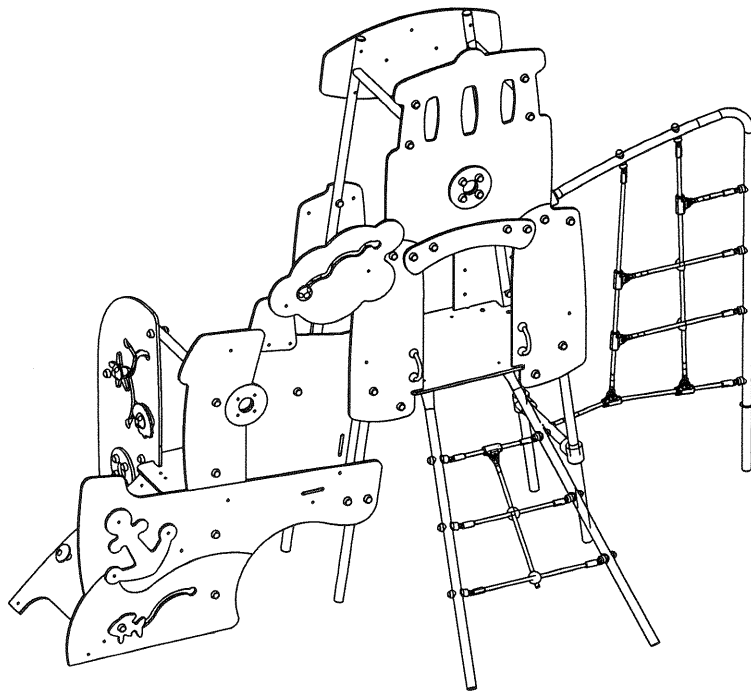
Implantation  
 Footing plan  
 Implantación  
 Fundamentplan  
 Funderingstekening



1

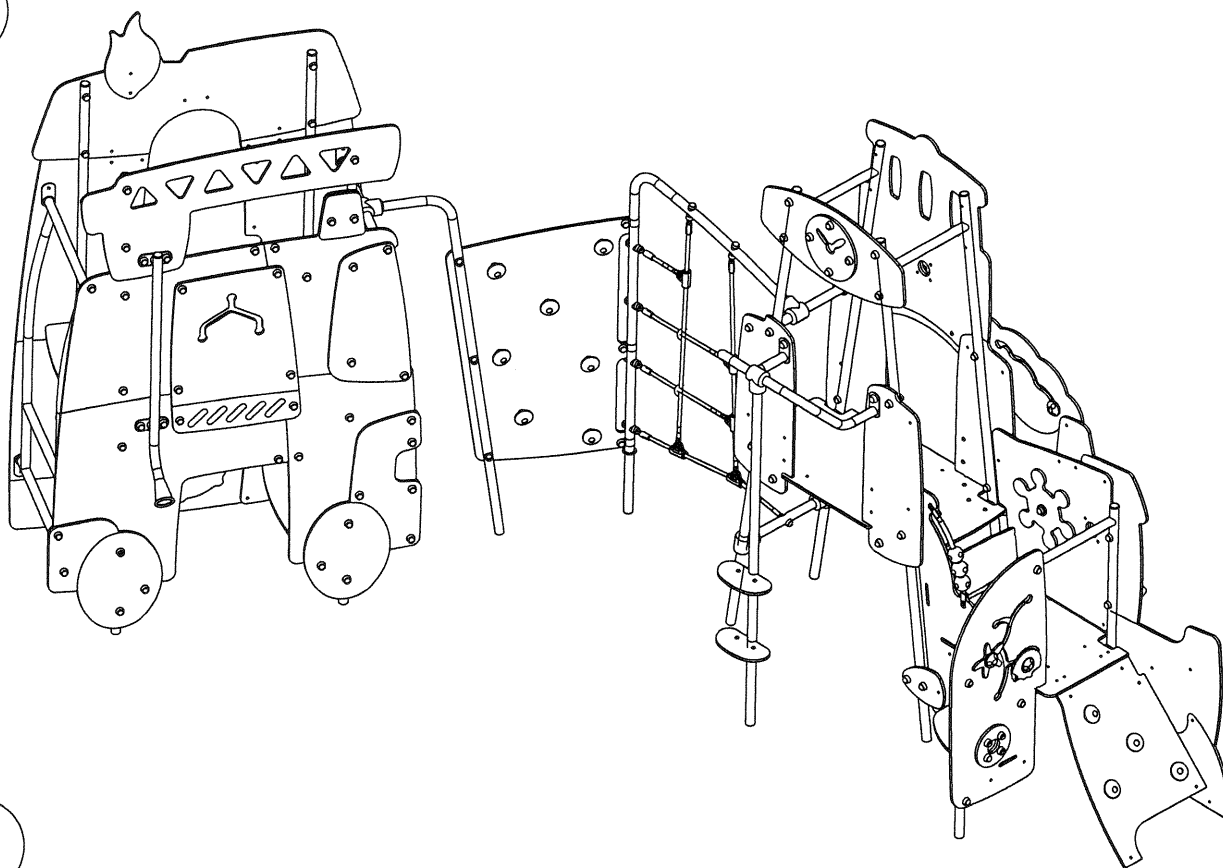


2

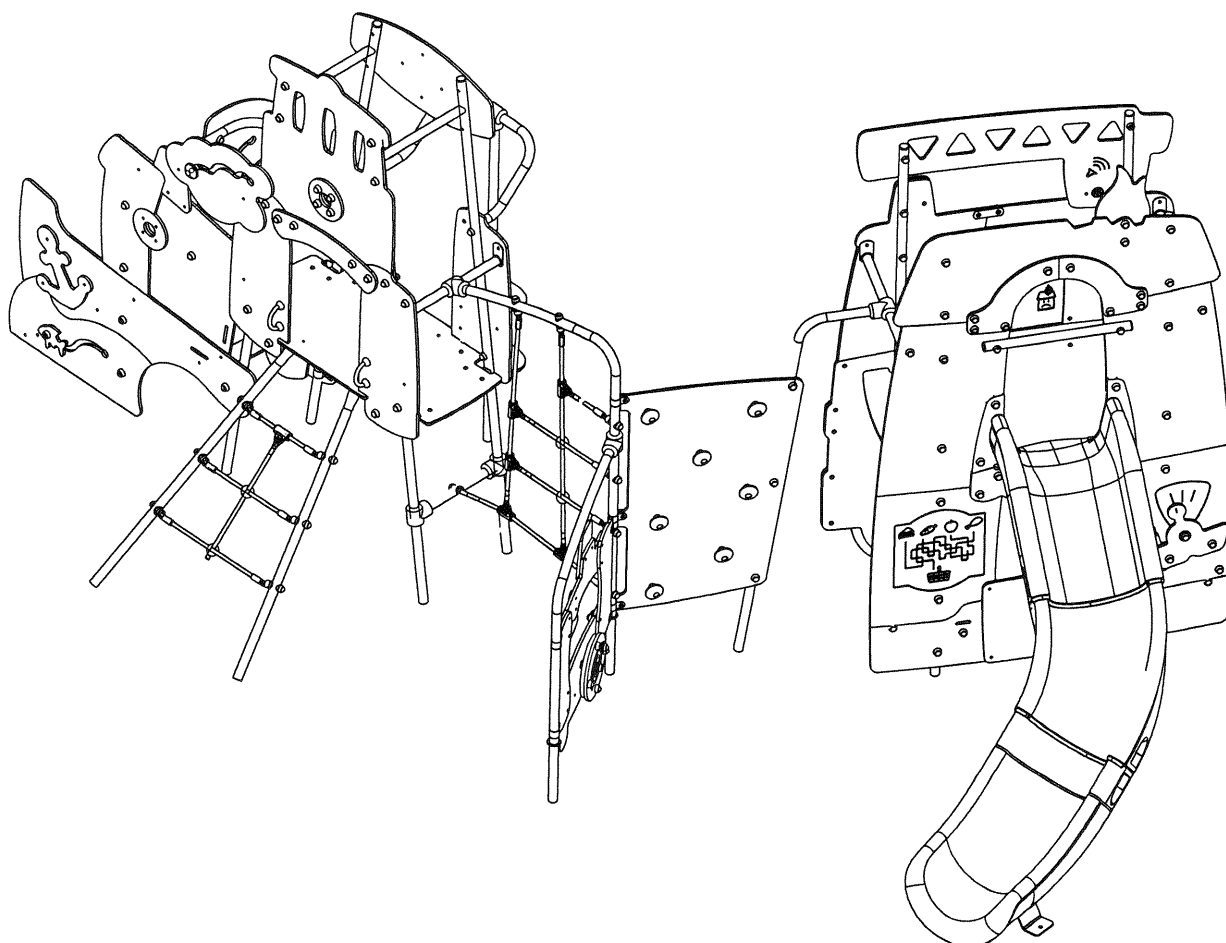


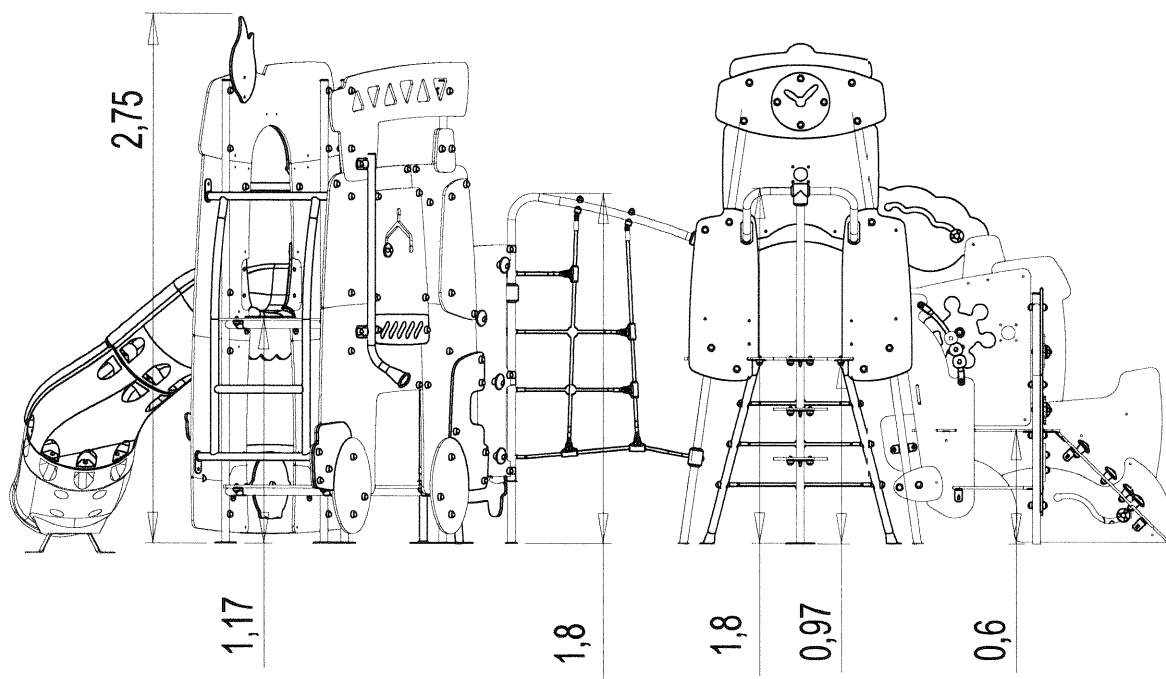
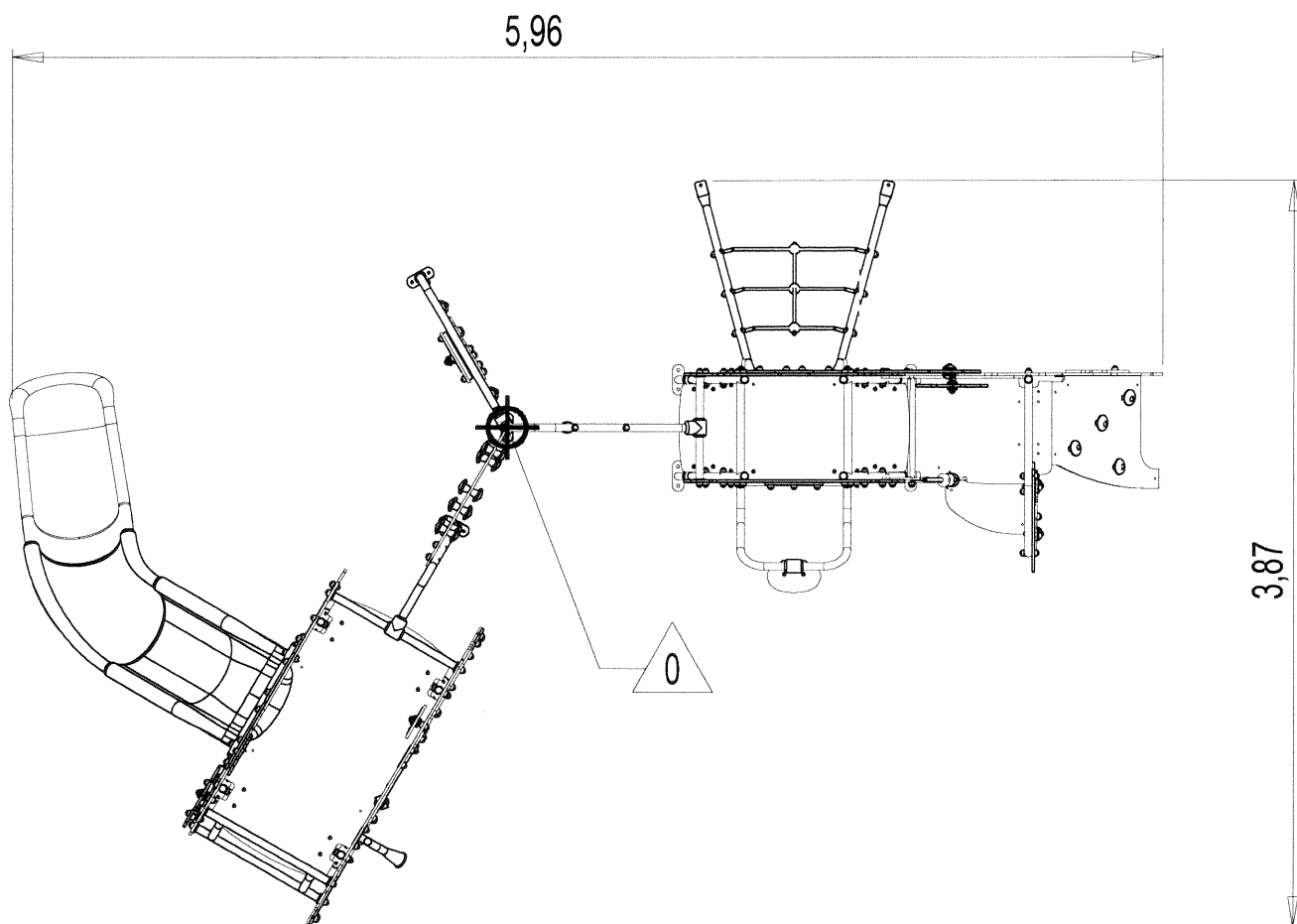


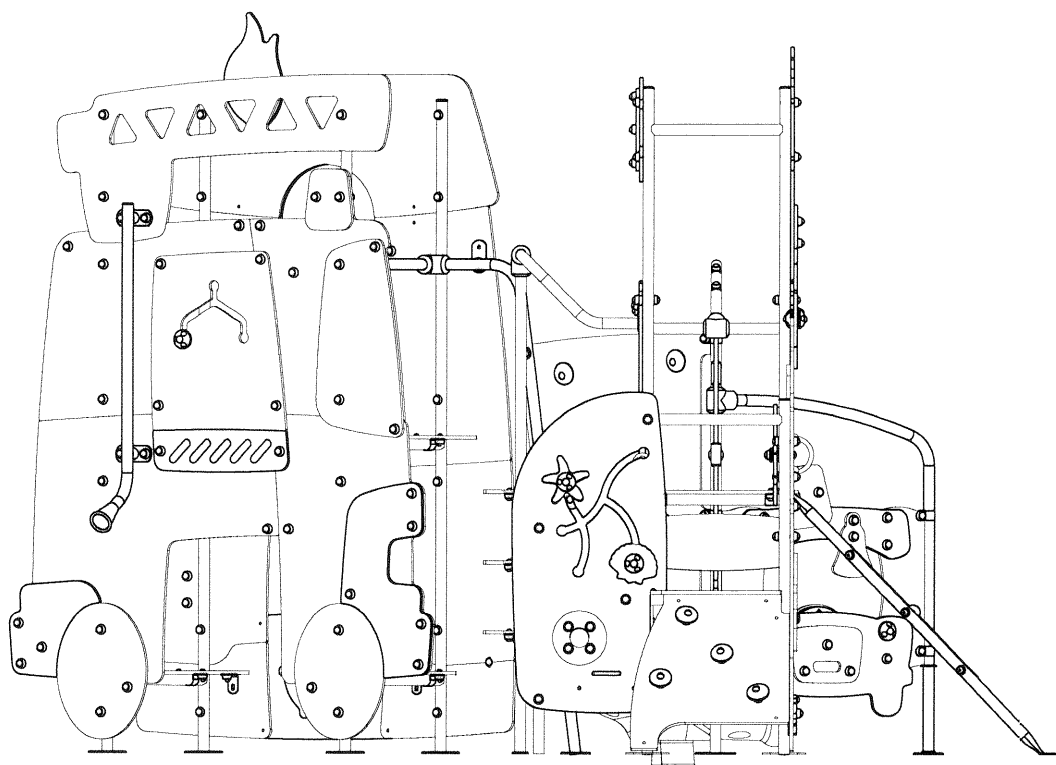
3

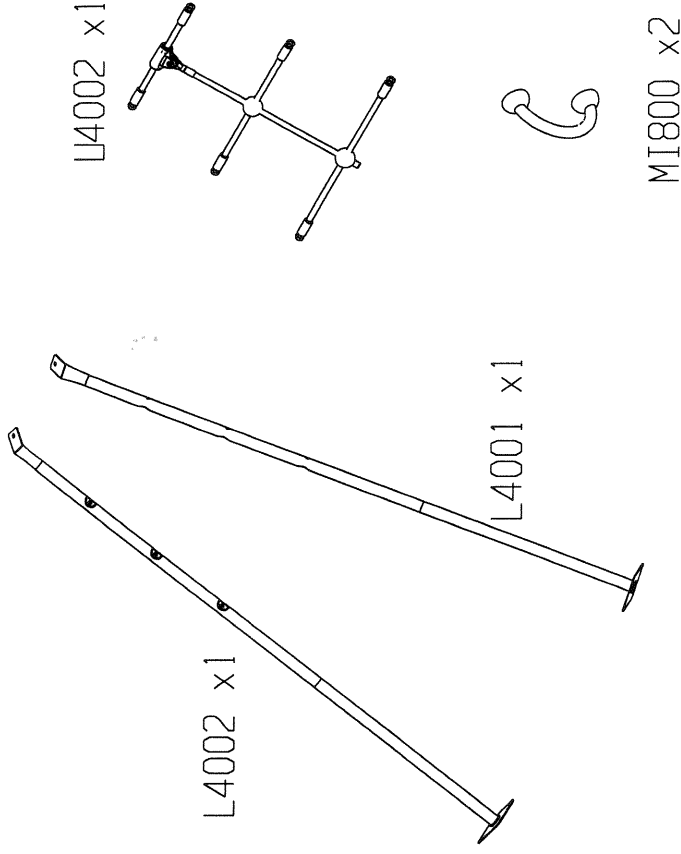
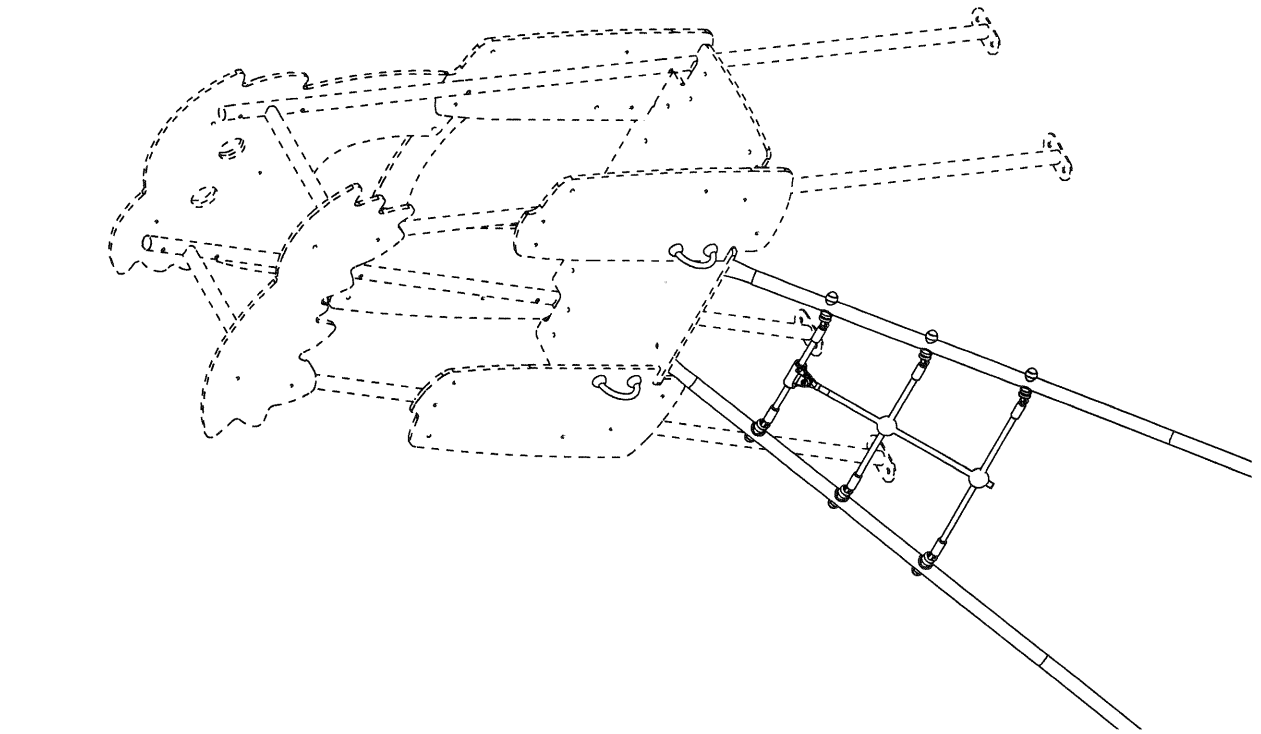


4

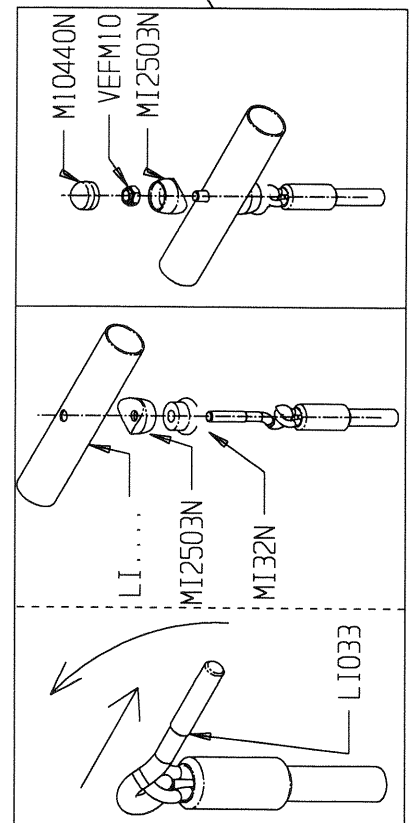
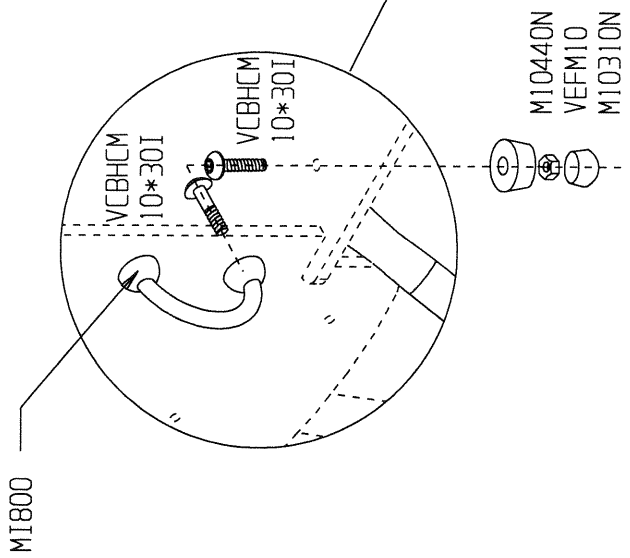
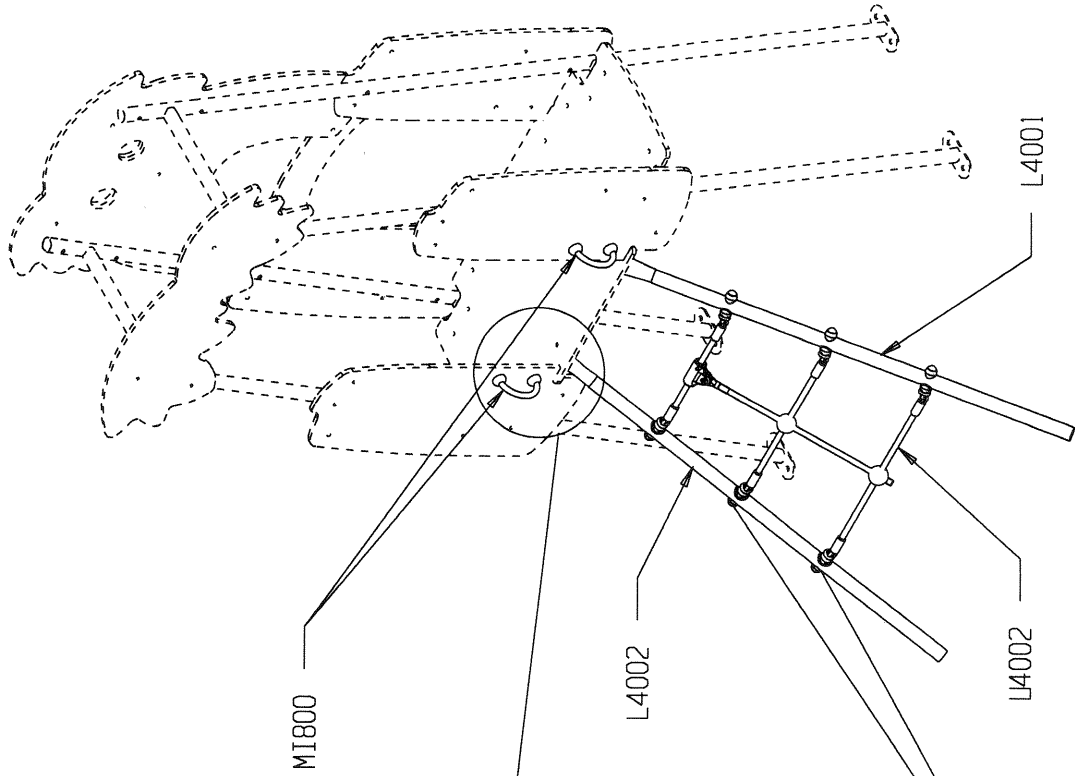


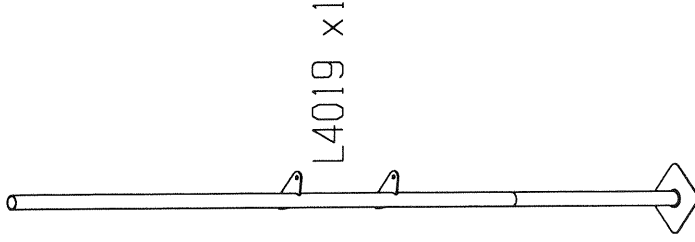
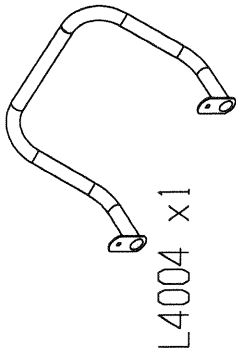
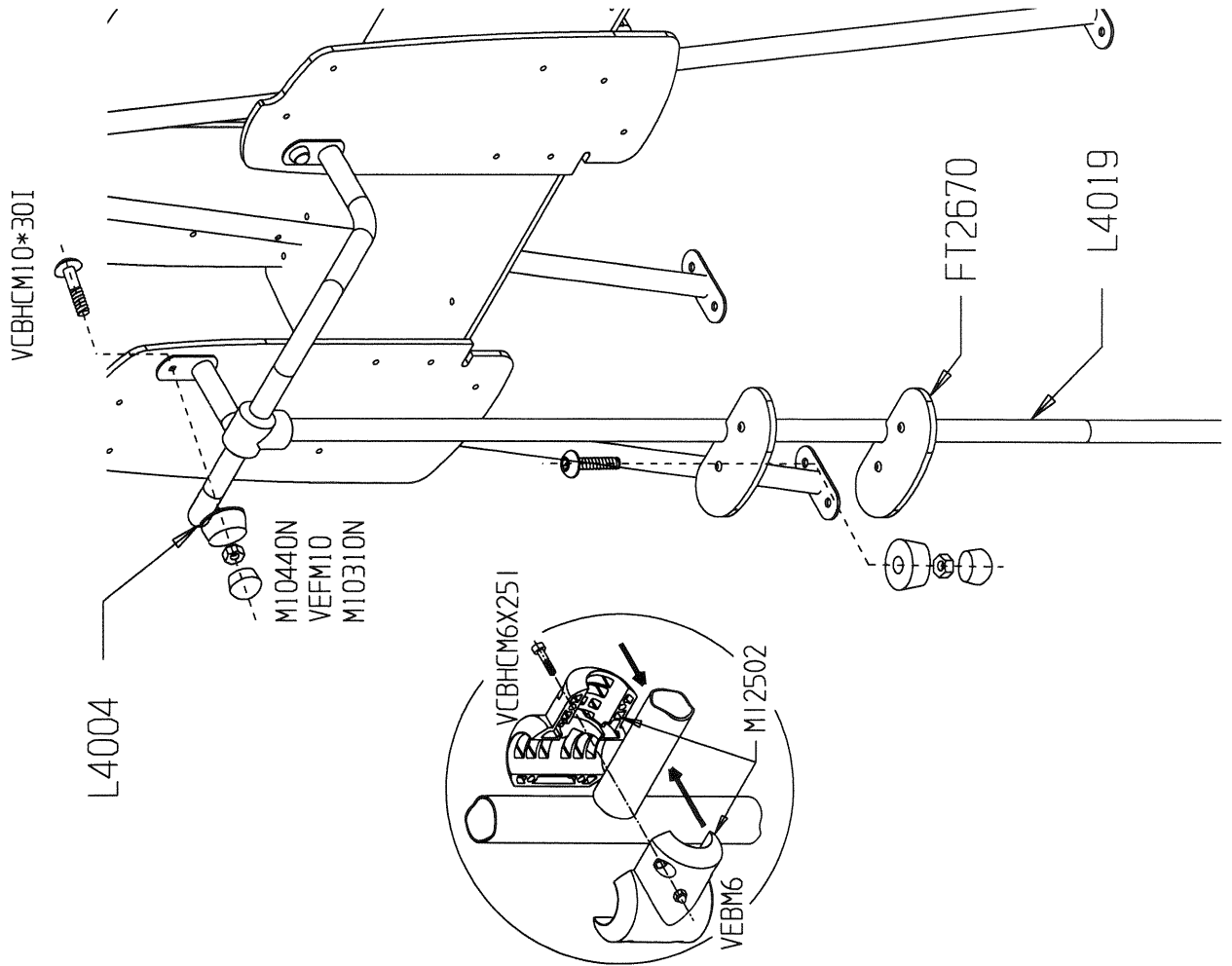




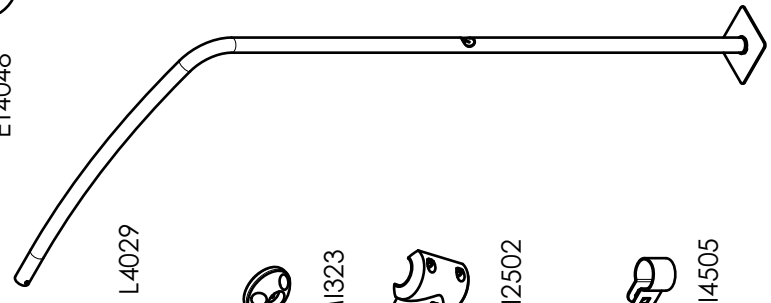
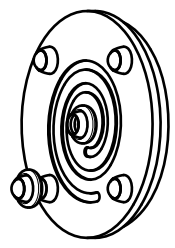
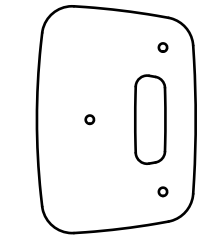
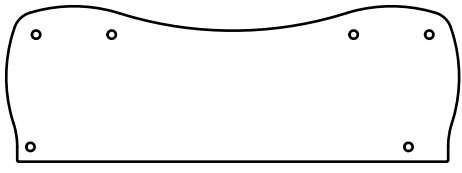
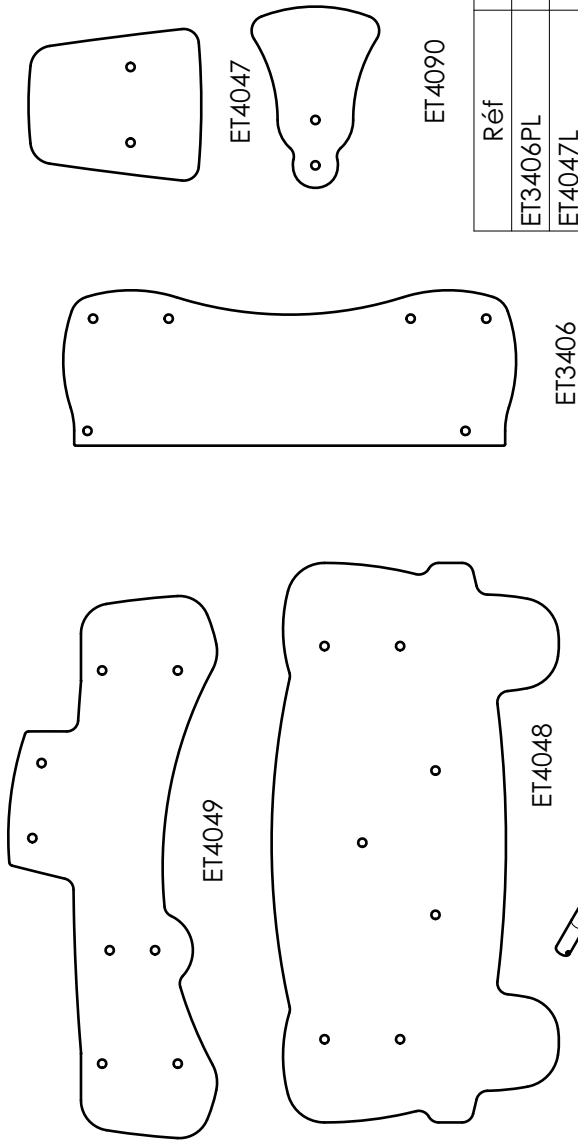
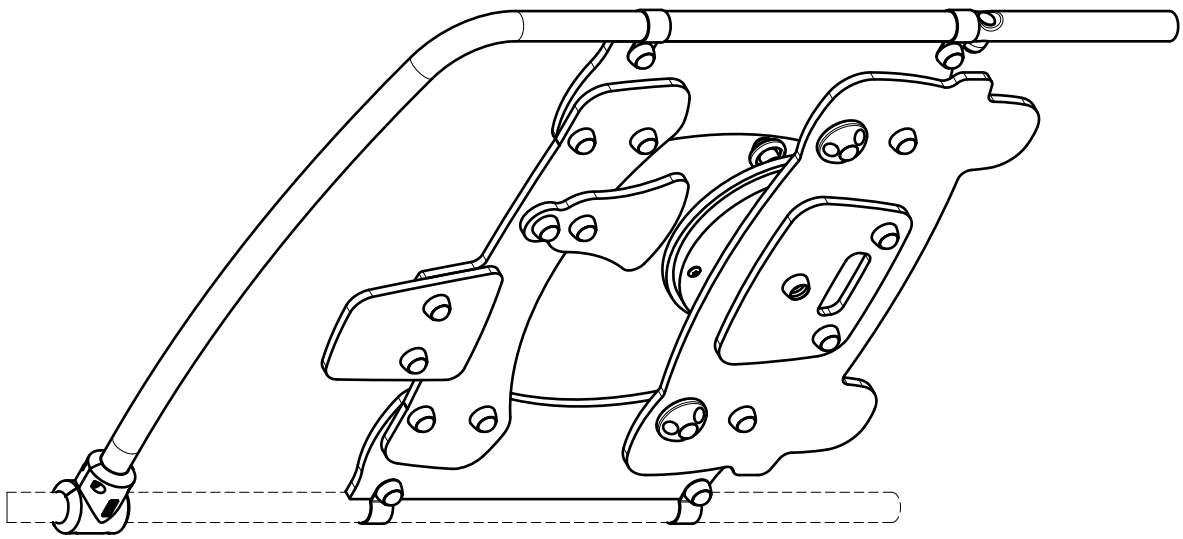


	L1033	6
	MI32N	6
	MI2503N	12
	M10440N	8
	VEFM10	8
	VCBHC10*30I	6
	M10310N	2

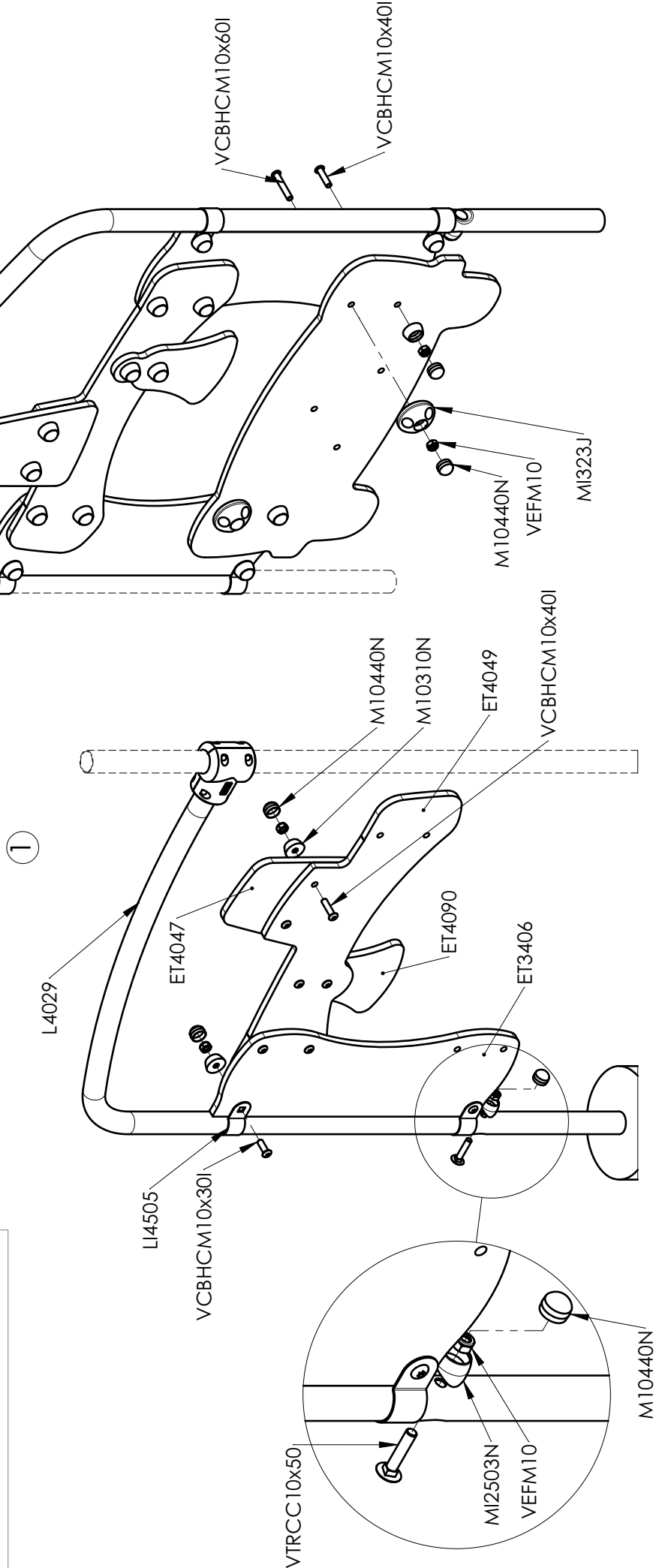
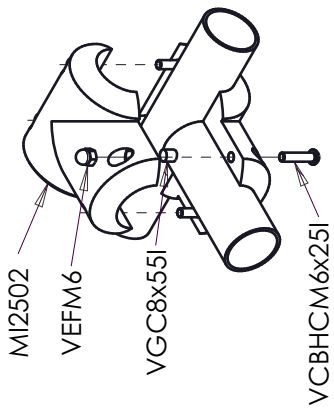




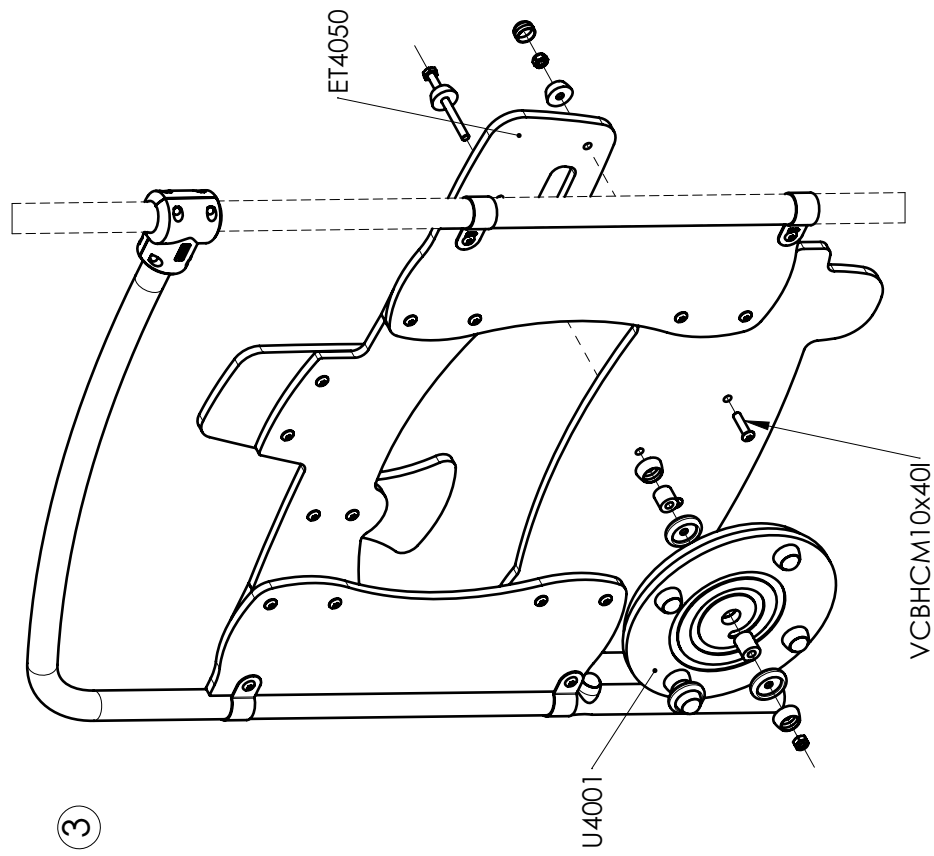
	VCBHC10*30I	4
	M10310 N	4
	M10440 N	4
	VEFM10	4
	VCBHC6*25I	4
	VEBM6	4

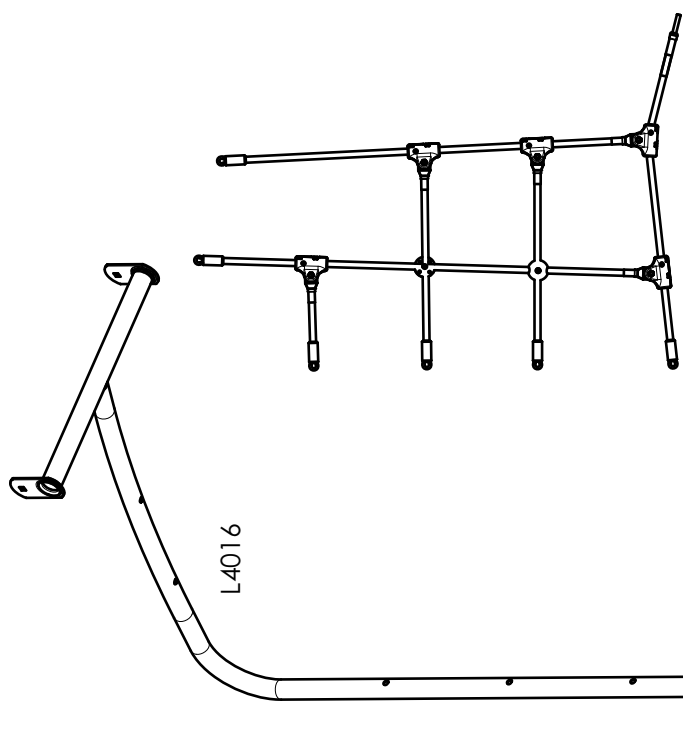
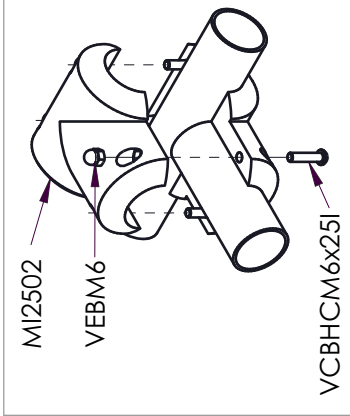
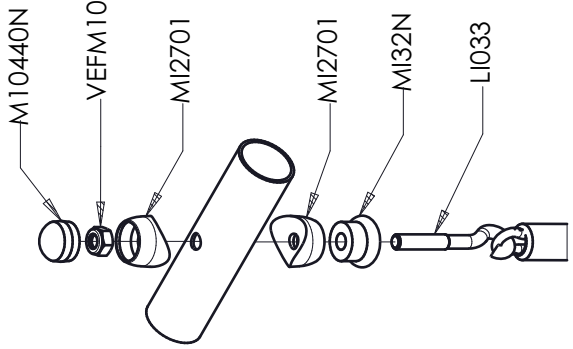
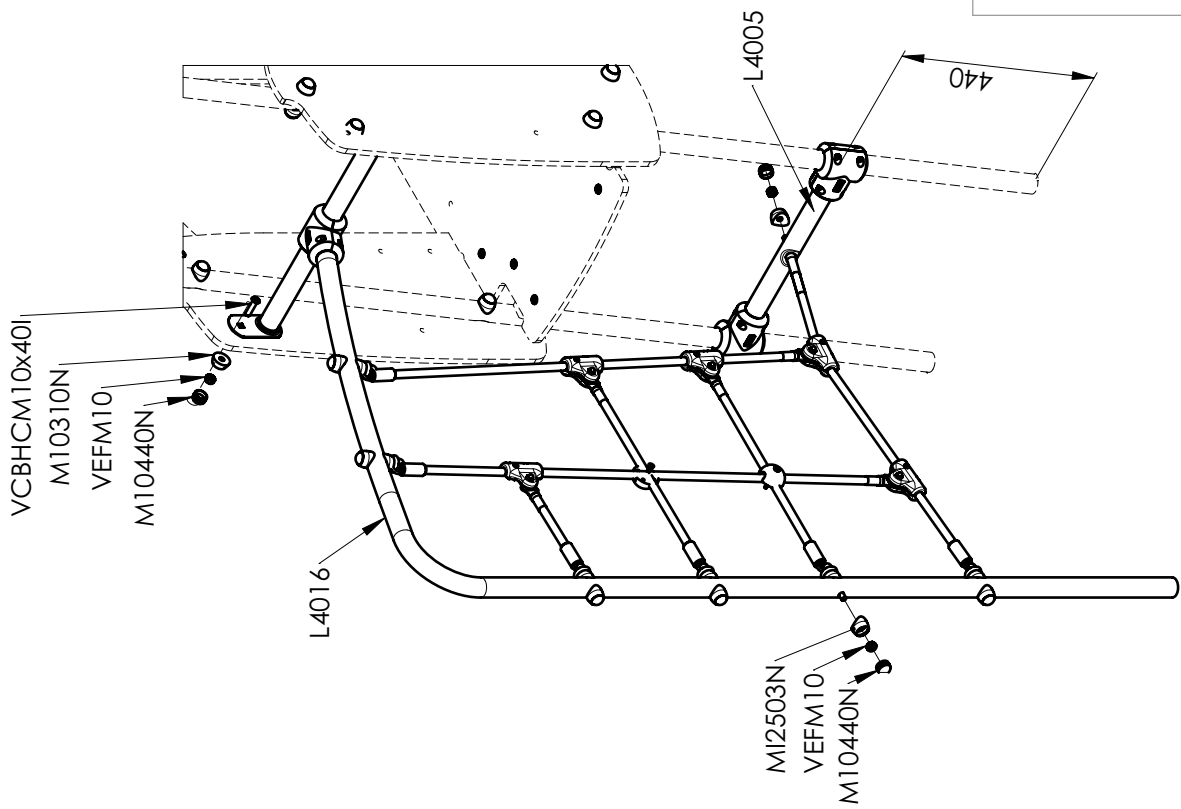


Réf	Qté
ET3406PL	2
ET4047L	1
ET4048J	1
ET4049J	1
ET4050PL	1
ET4090PL	1
L4029	1
LI4505	4
M10310N	16
M10440N	19
M1323J	2
M12502N	2
M12503N	1
U4001	1
VCBHC6x25I	4
VCBHC10x30I	4
VCBHC10x40I	12
VCBHC10x60I	2
VEBM6	4
VEFM10	19
VGC8x55I	1
VTRCC10x50	1



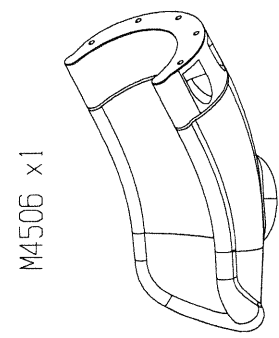
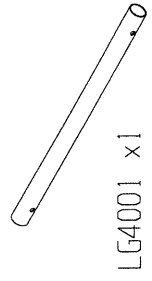
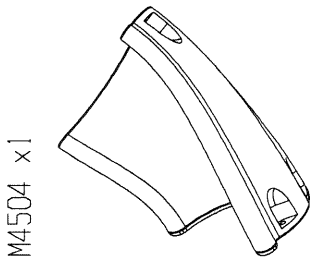
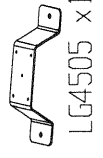
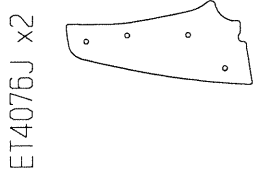
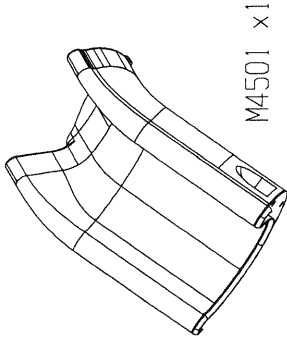
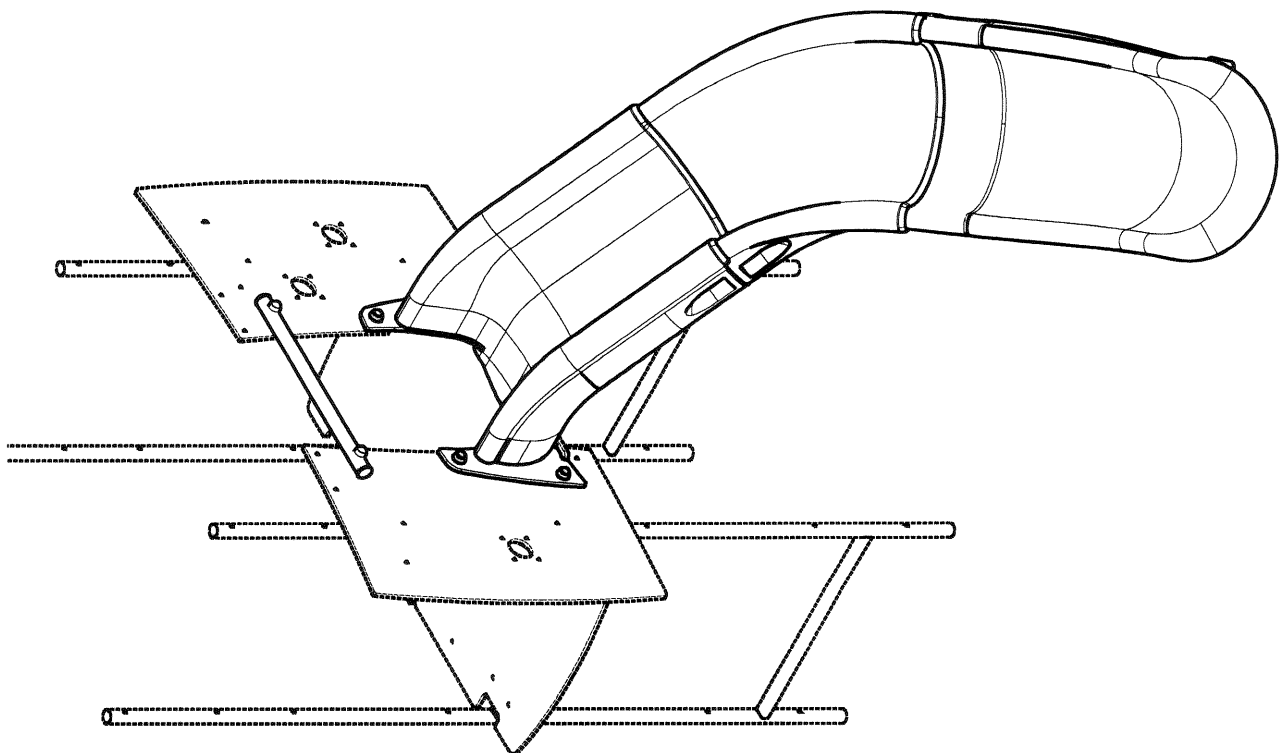




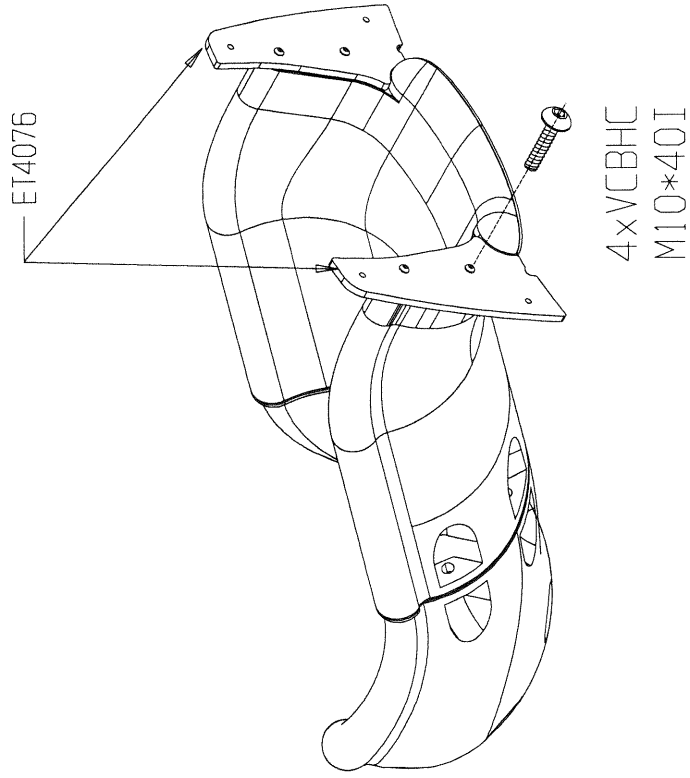
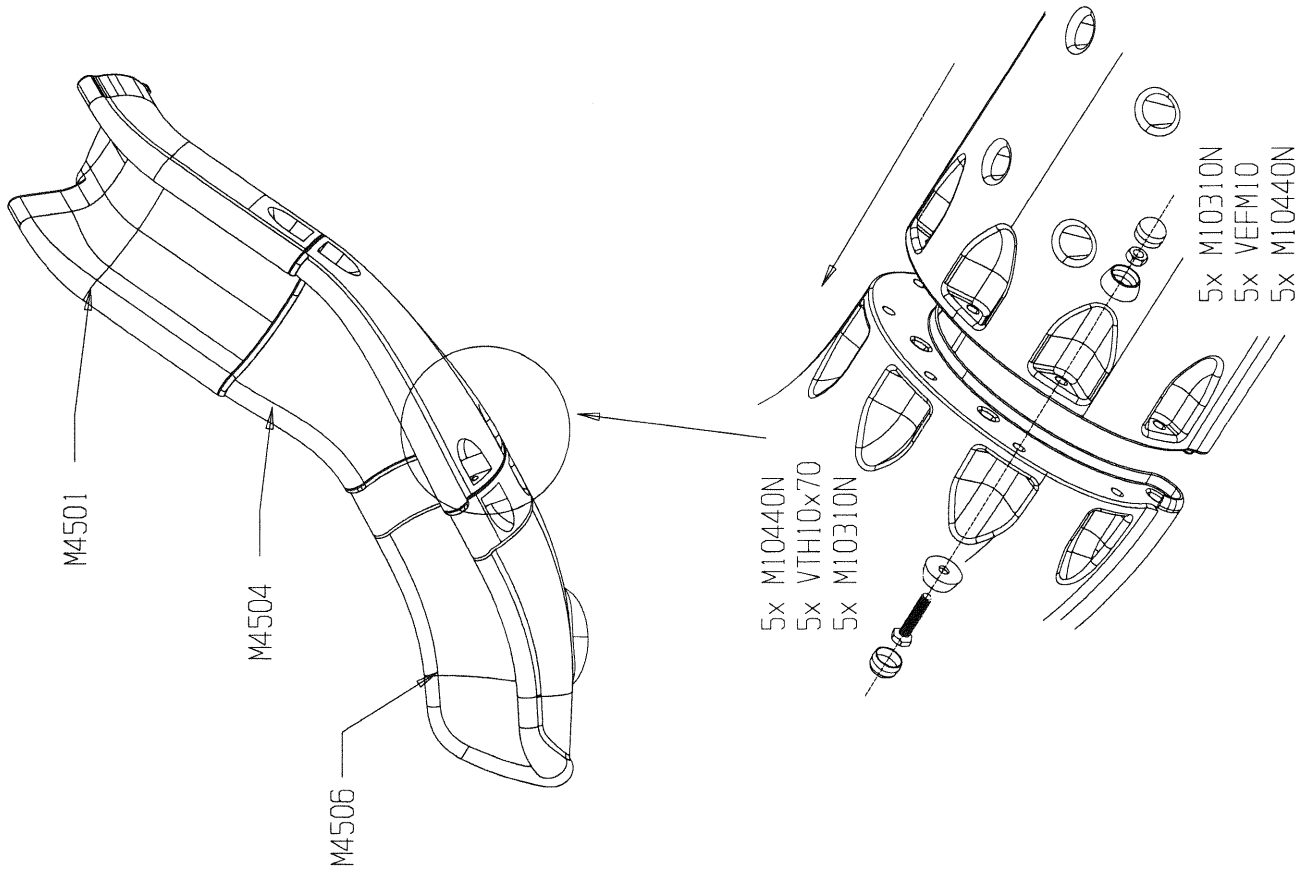


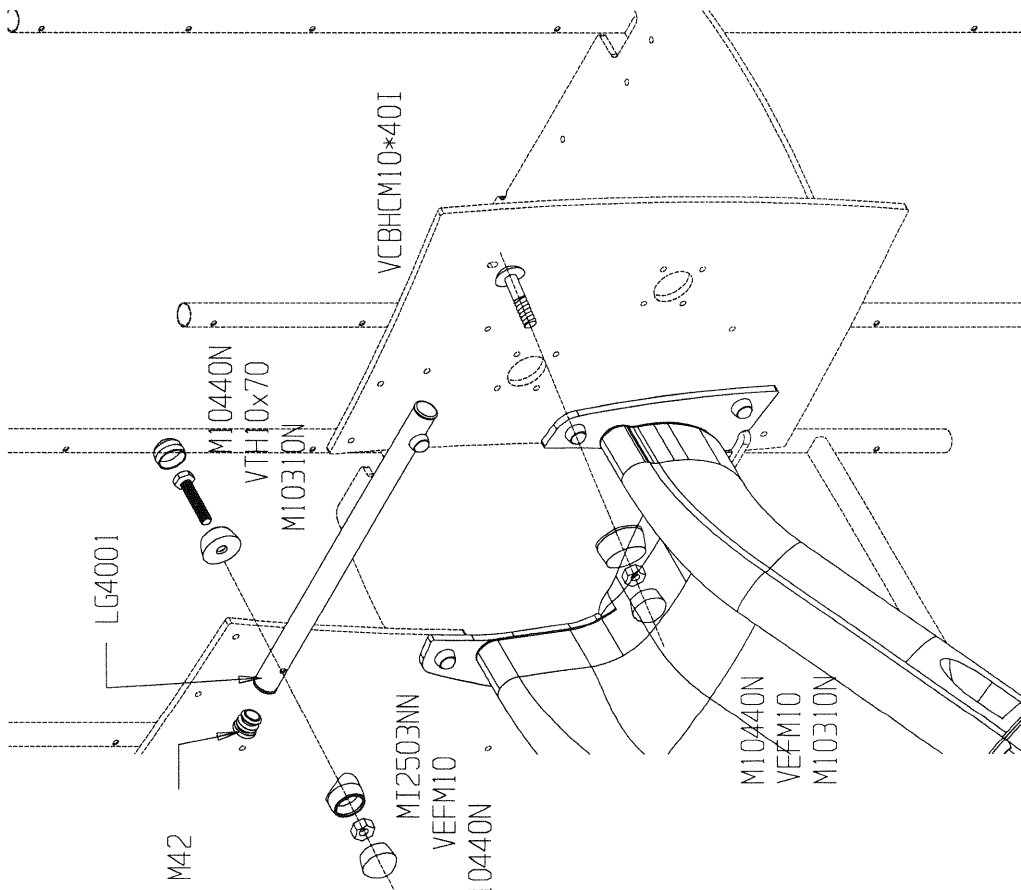
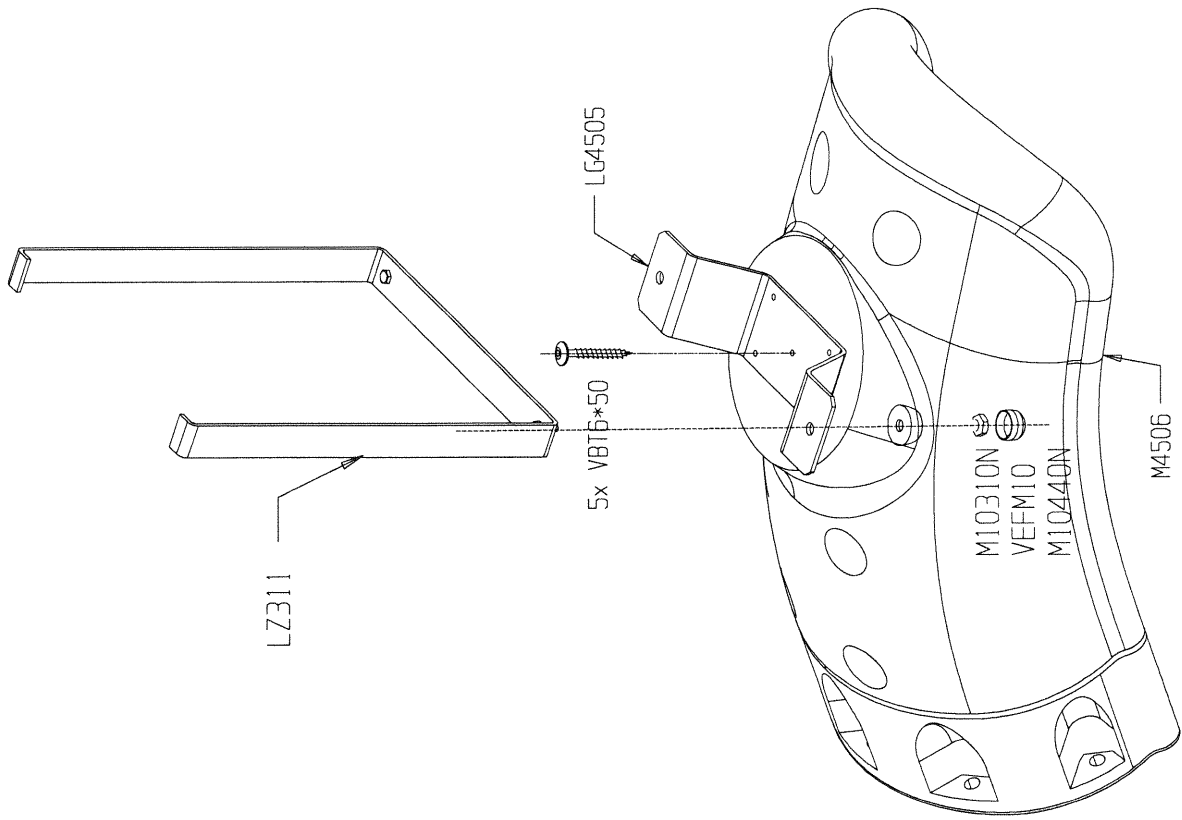
Réf	Qté
L4005	1
L4016	1
LI033	6
M10310N	2
M10440N	9
MI32N	6
MI2502N	6
MI2503N	13
U4000	1
VCBHCM10x40I	2
VCBHCM6x25I	12
VEBM6	12
VEFM10	9

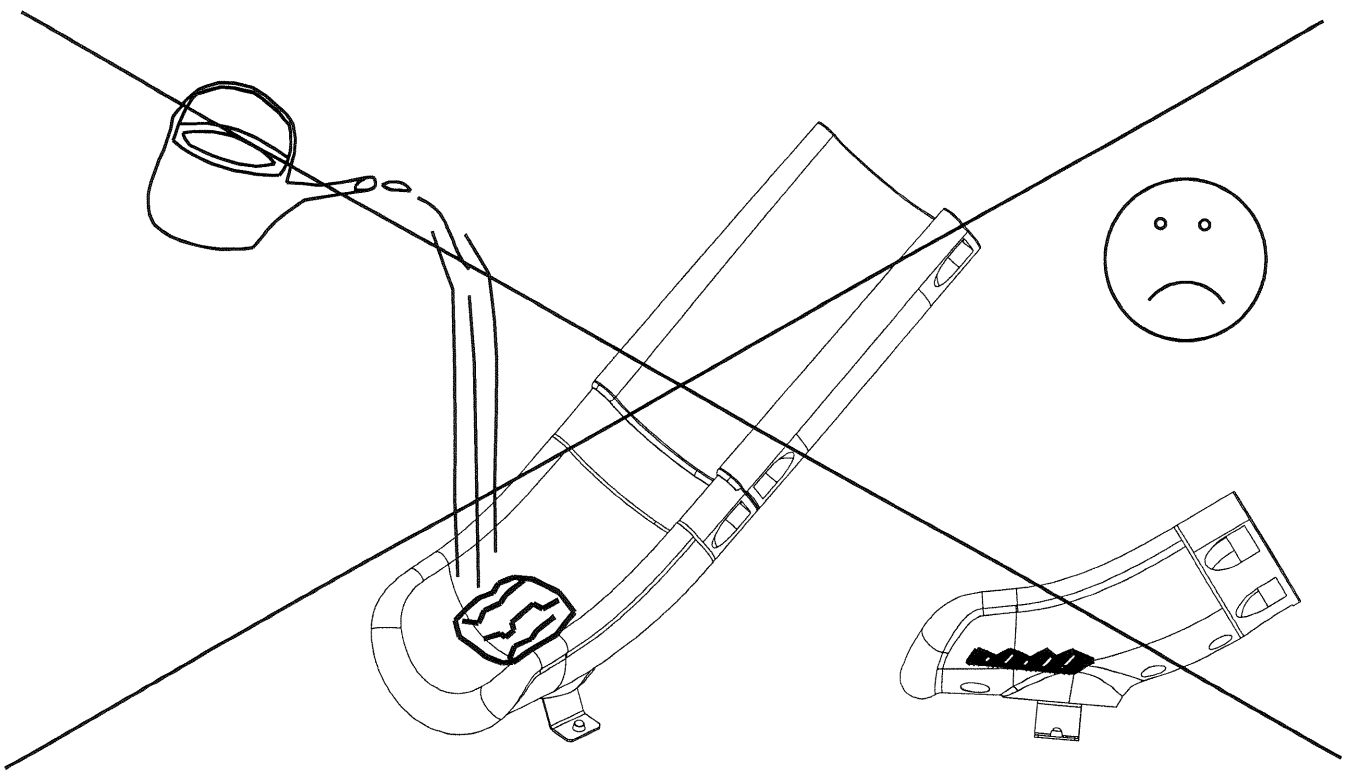
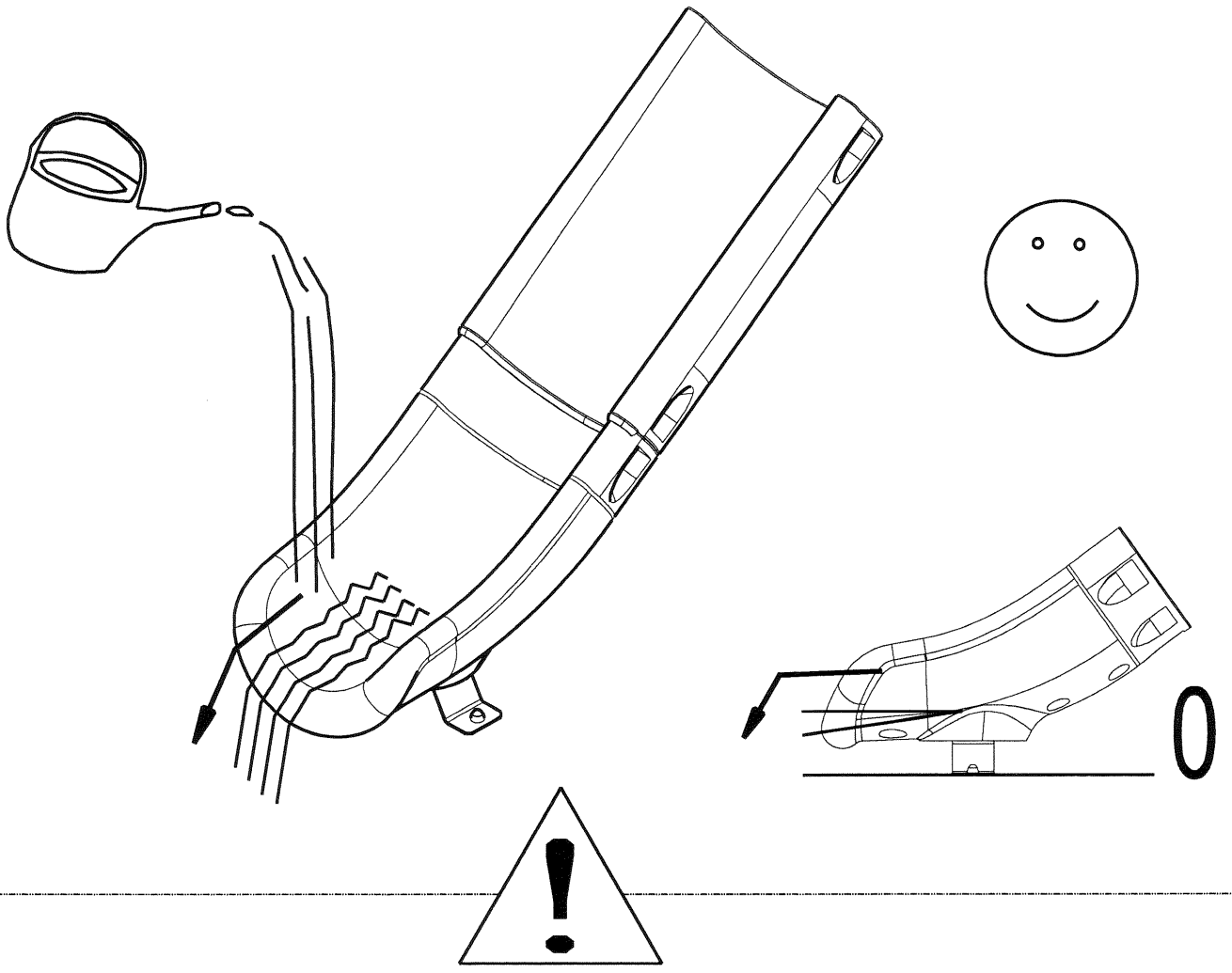


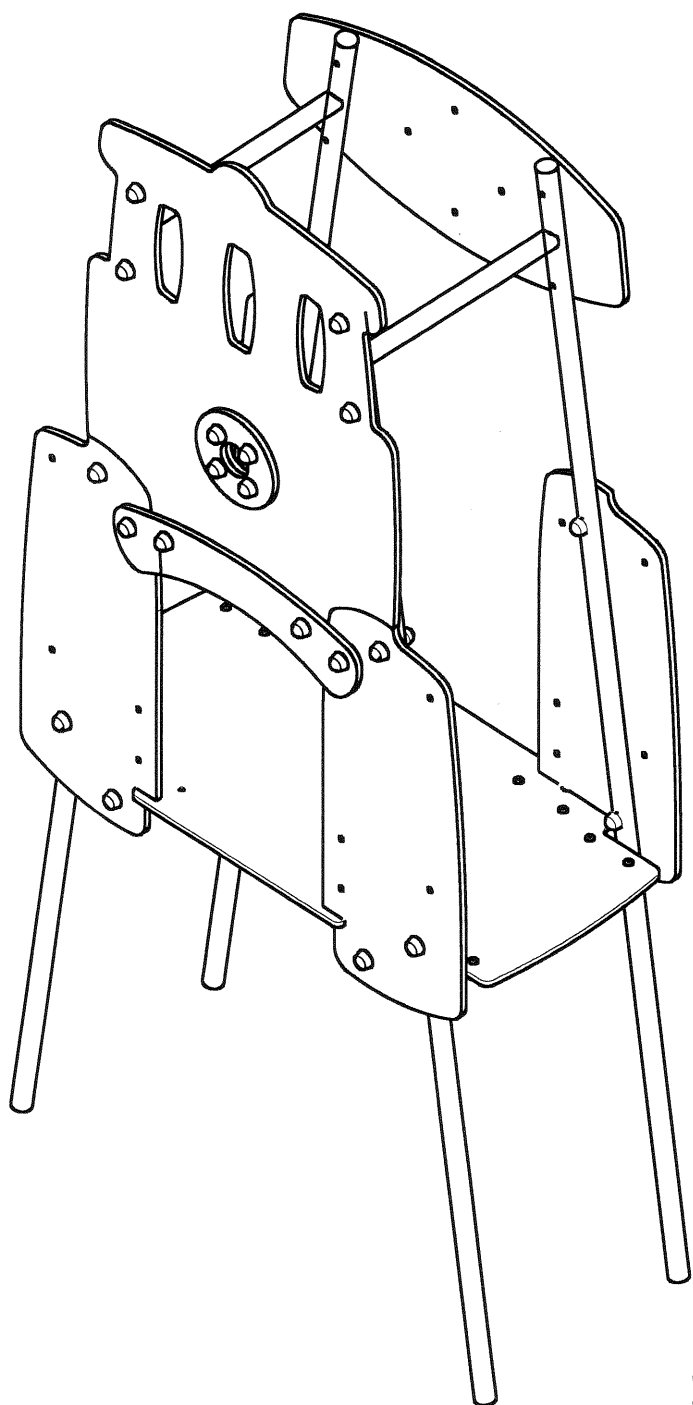


	VCBHC M10*40I	8
	M10310N	28
	M10440N	30
	VEFM10	20
	VTH 10x70	12
	MI2503N	2
	M42	2
	VBT6*50	5

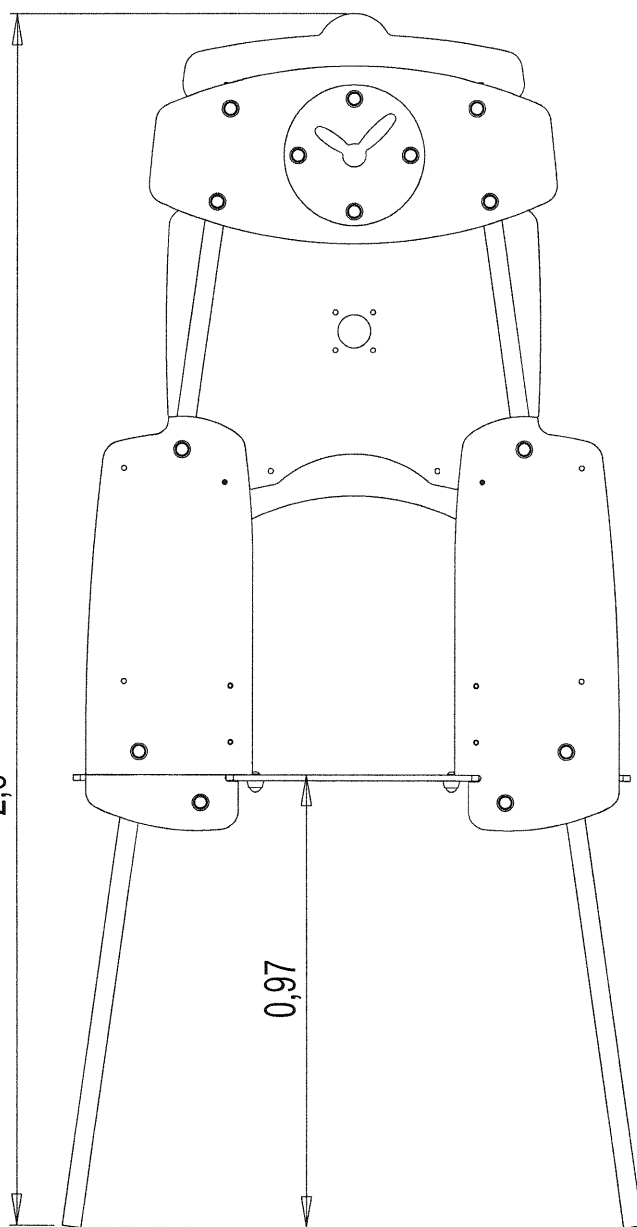




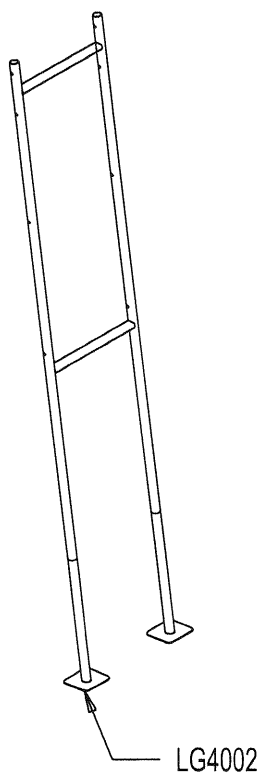
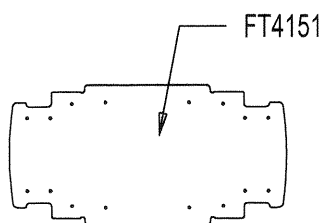
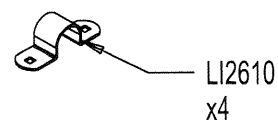
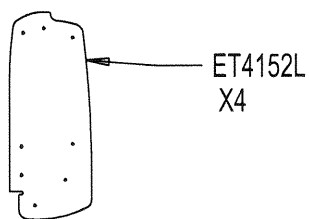
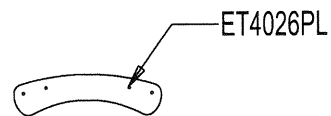
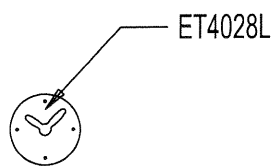
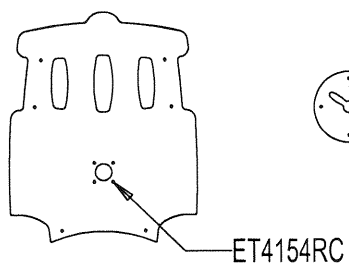
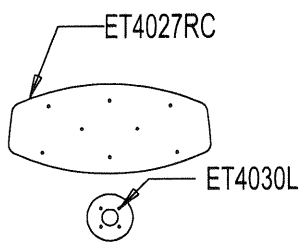




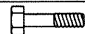




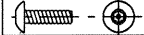
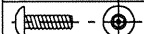




2,6



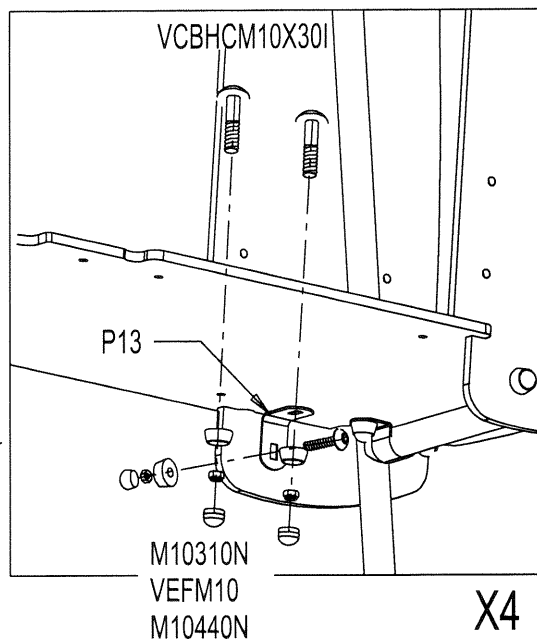
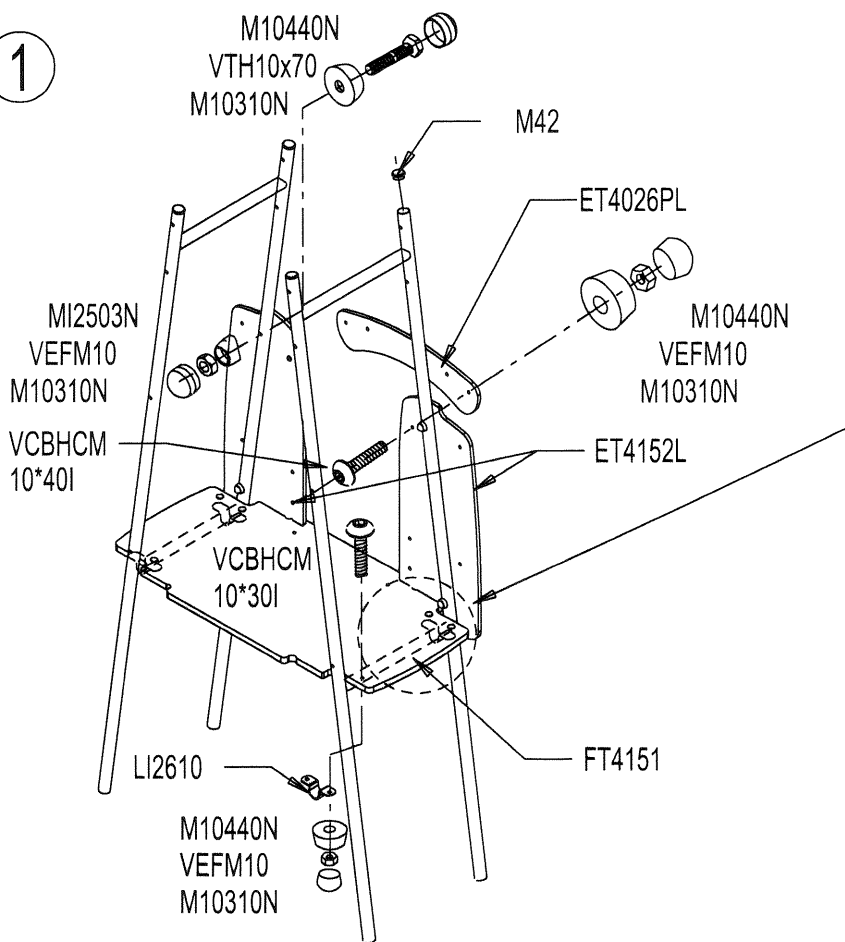
0,97



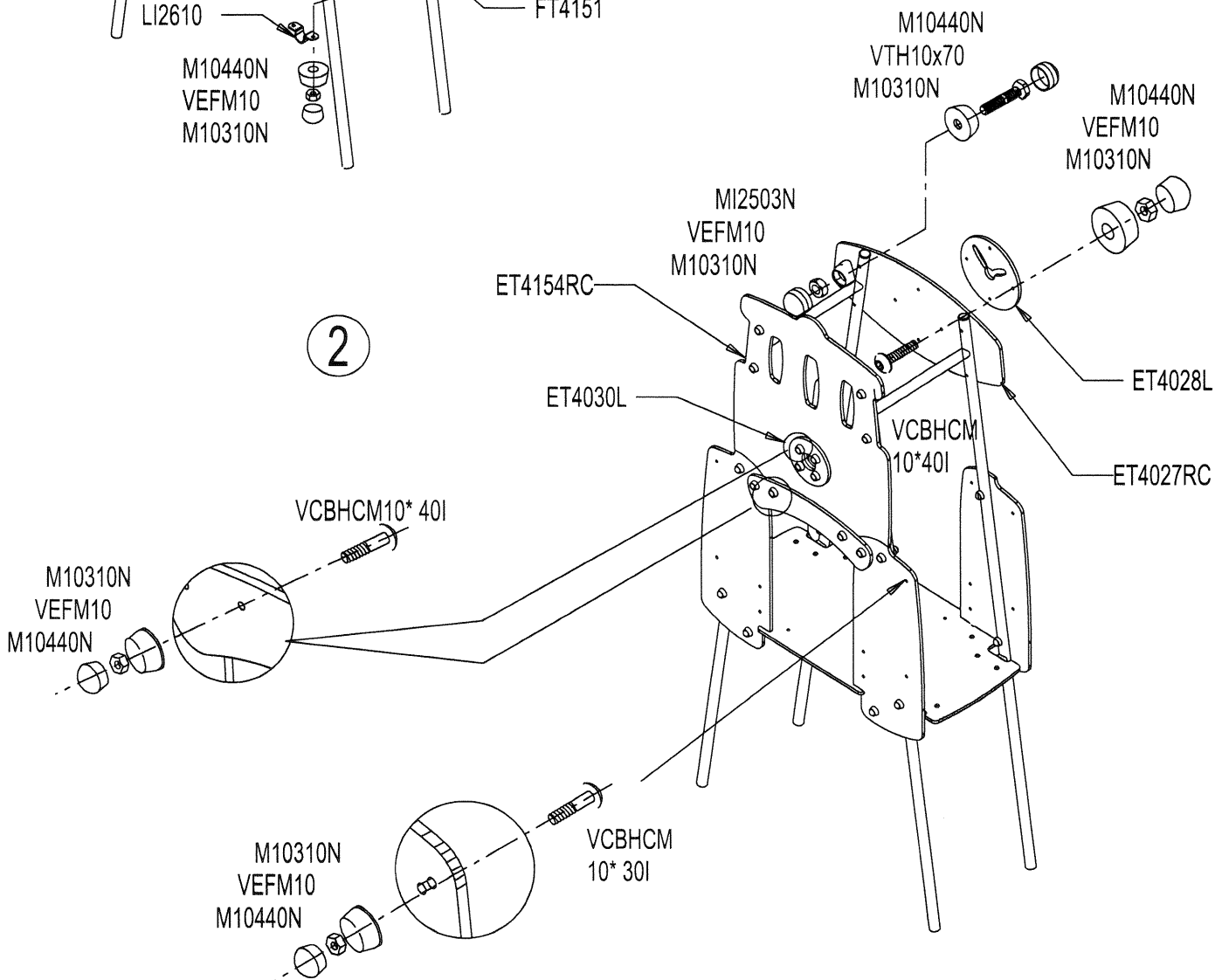
	MI2503N	16
	MI 800	2
	VTH 10x70	16
 90° 	70 mm :P13	4
	M42	4
	VEFM10	44
	VCBHCM10*30I	16
	VCBHCM10*40I	12
	M10310N	44
	M10440N	60

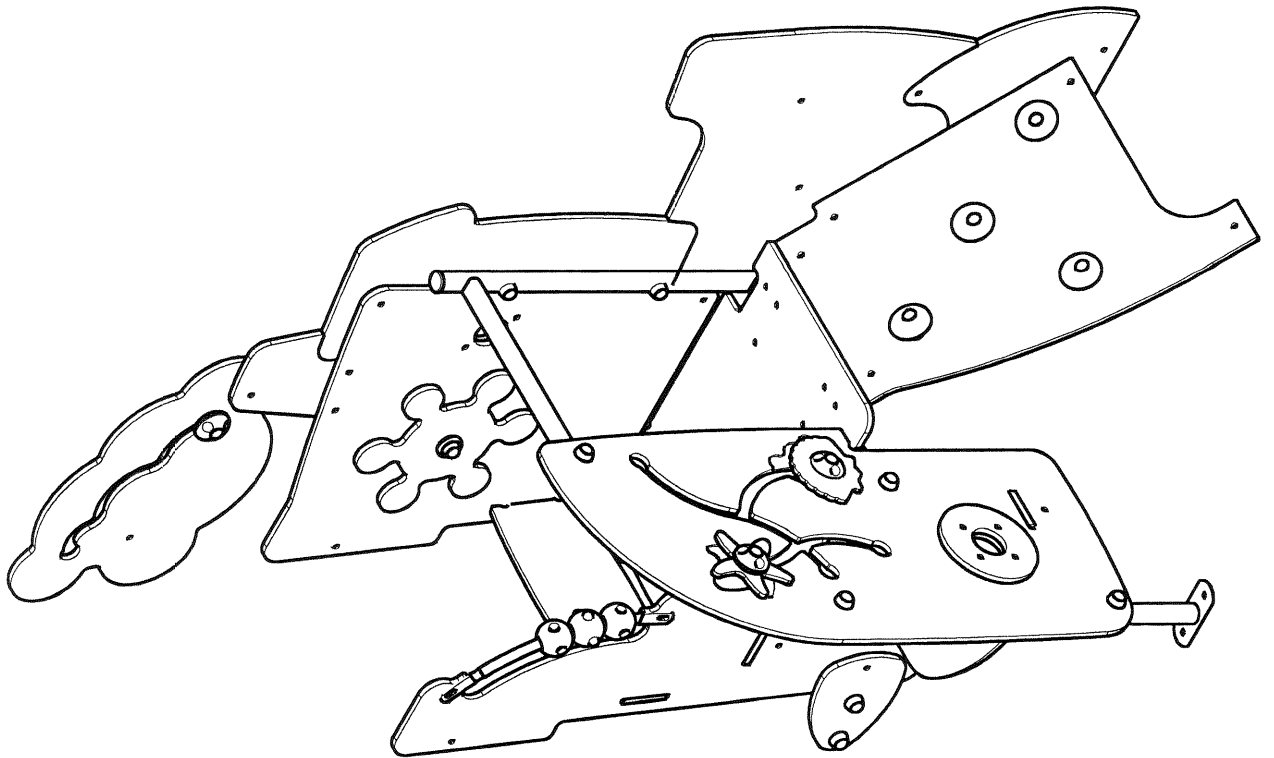
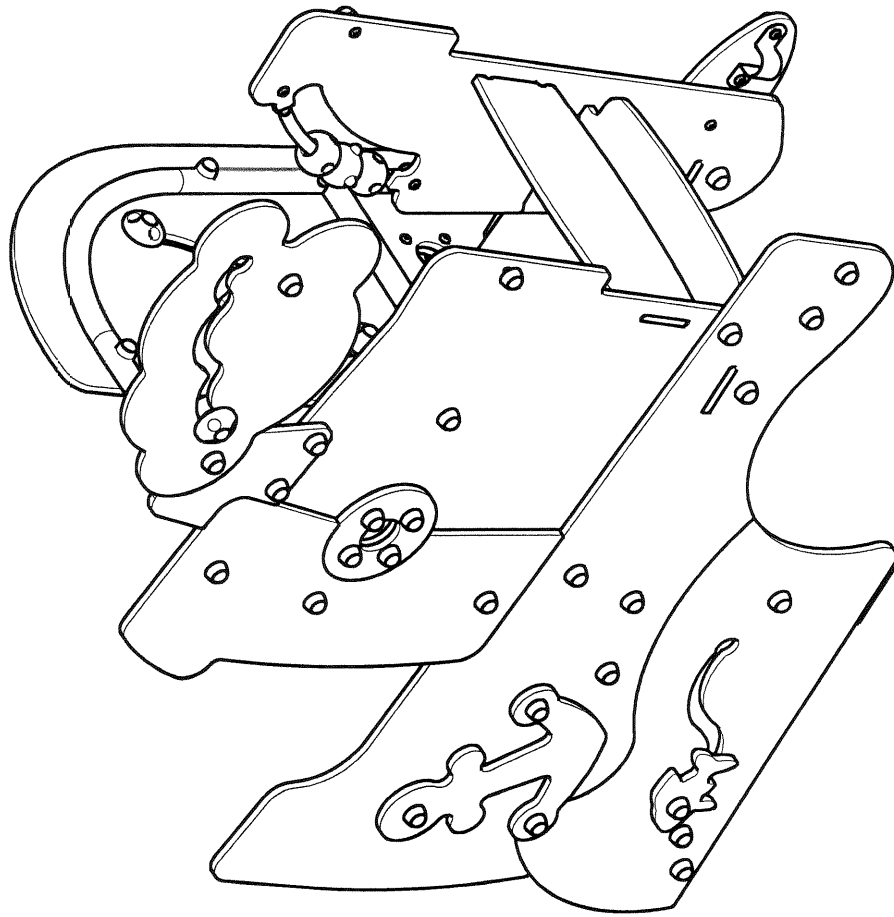


1



2

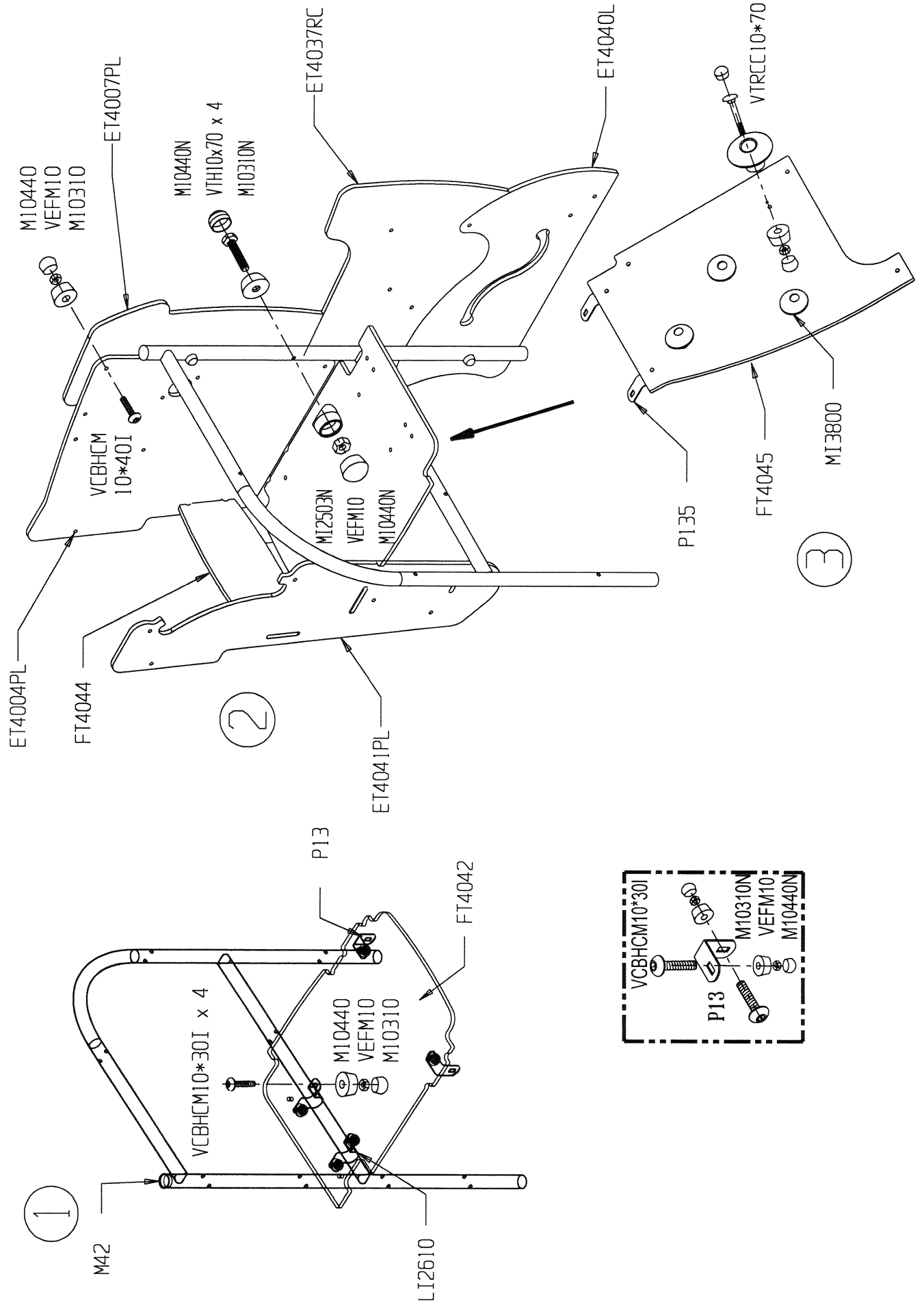




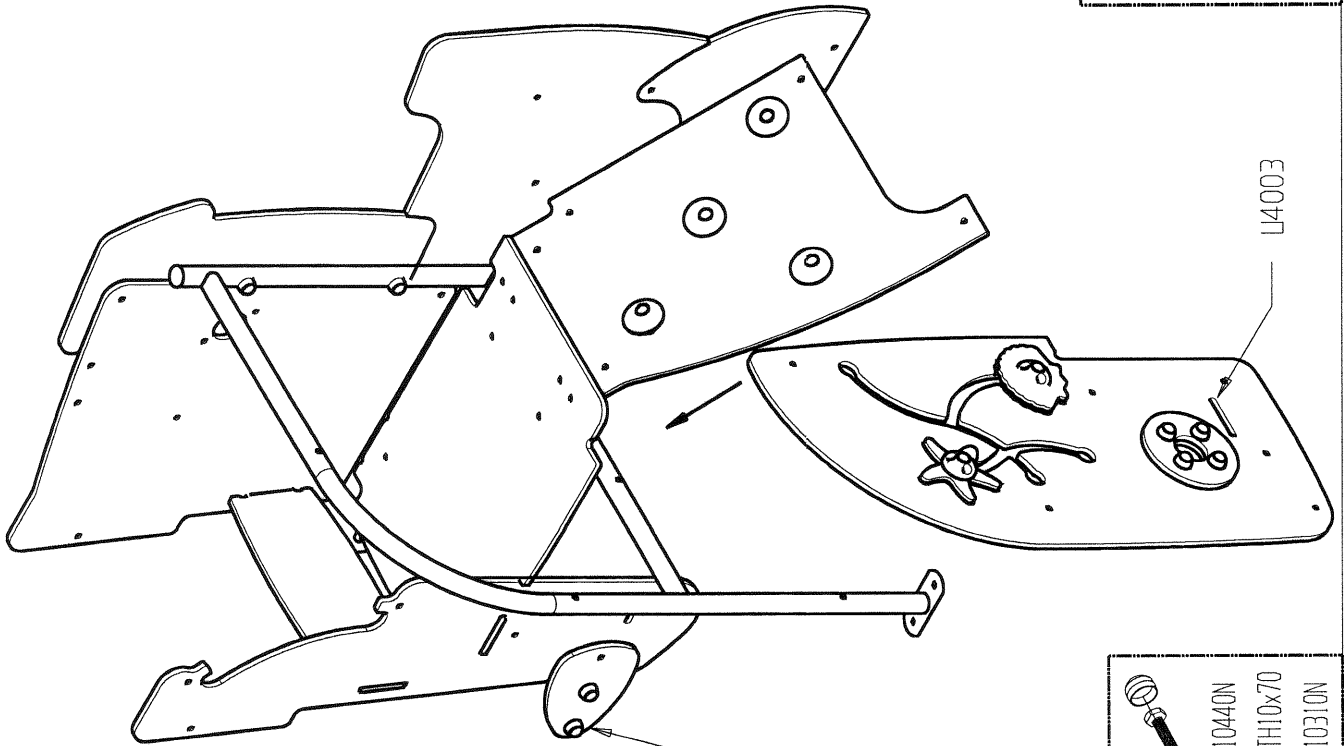
Exploded view diagram of a mechanical assembly. The diagram shows various components including a main frame (L4007), a top cover (L4003), a base plate (L4042), and several internal brackets and fasteners. The parts are labeled with codes and quantities:

- ET4022L x 1
- ET4039J x 1
- ET4004PL x 1
- ET2553PL x 1
- ET4042 x 1
- ET4044 x 1
- ET4045 x 1
- ET4038L x 1
- ET4030L x 1
- ET4007PL x 1
- ET4040L x 1
- ET4046J x 1
- ET4041PL x 1
- MI3800VX x 2
- MI3800J x 1
- MI3800D x 1
- LI2610 x 4
- LI608 x 1
- MI810N x 2
- MI904 x 1
- MI2614 x 1
- MI4700 x 2
- L4007 x 1
- L4003 x 1

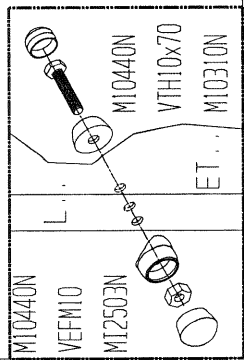
	VEFM10	57
	70 mm :P13	7
	MI2503N	8
	M42	4
	135° :P135	2
	MI323J	3
	M10310N	59
	M10440N	69
	VCBHC10x30I	30
	VCBHC10x40I	17
	VTH 10x60	2
	VTH 10x70	8
	VTH 10x90	1



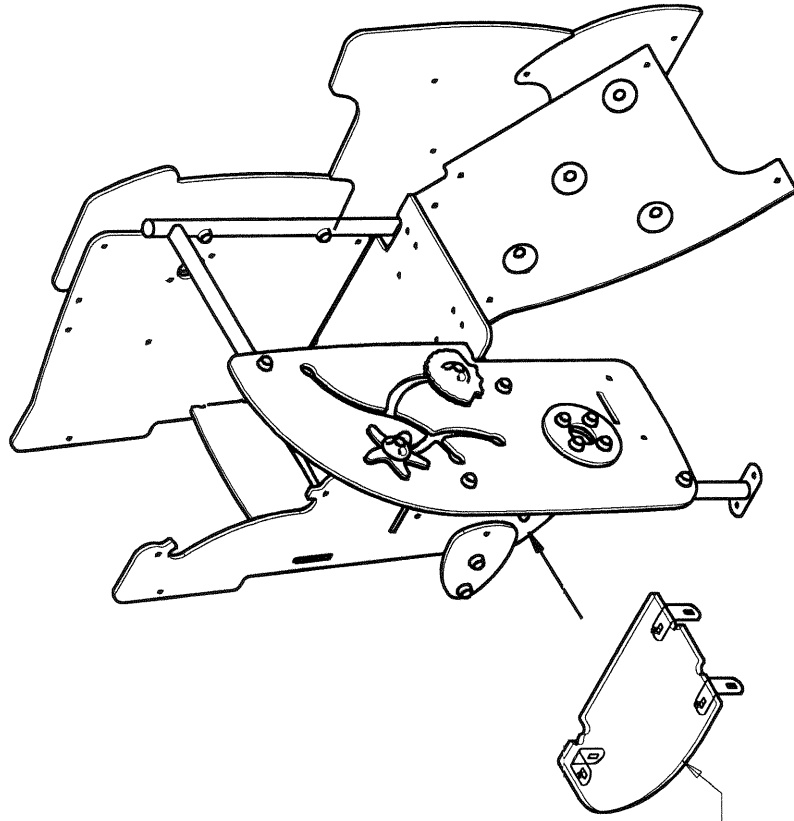
4



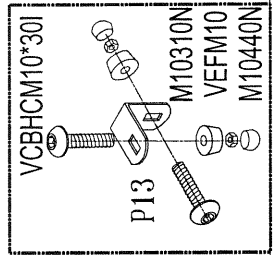
x 4



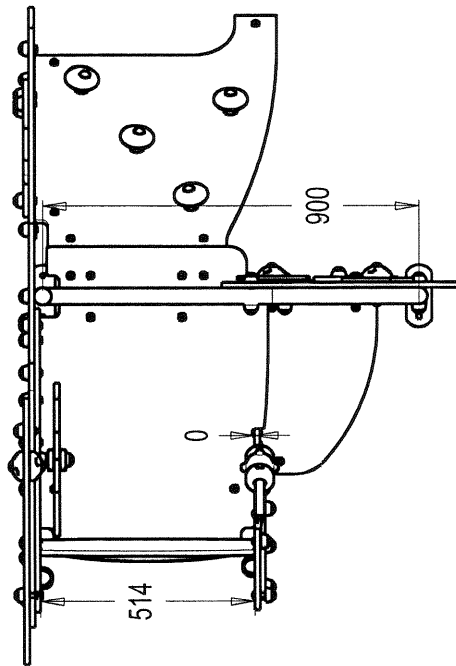
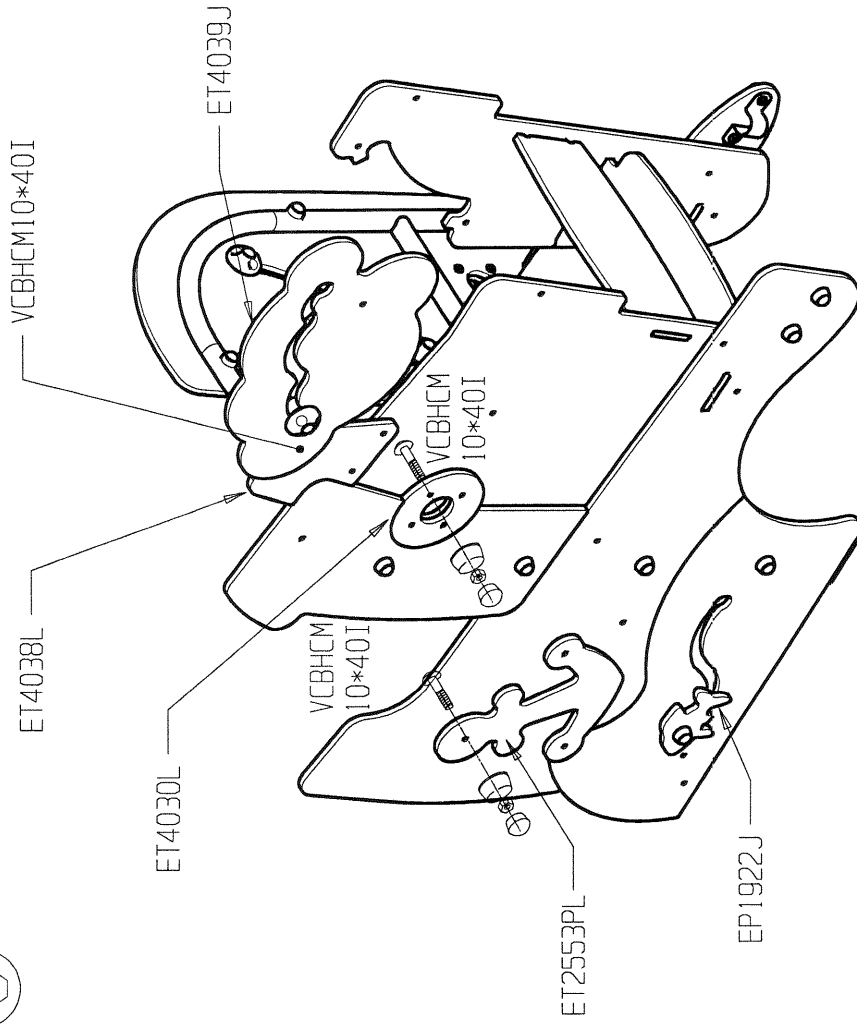
5



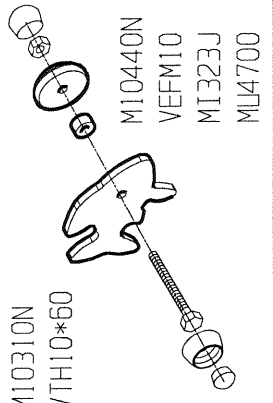
FT4043



6

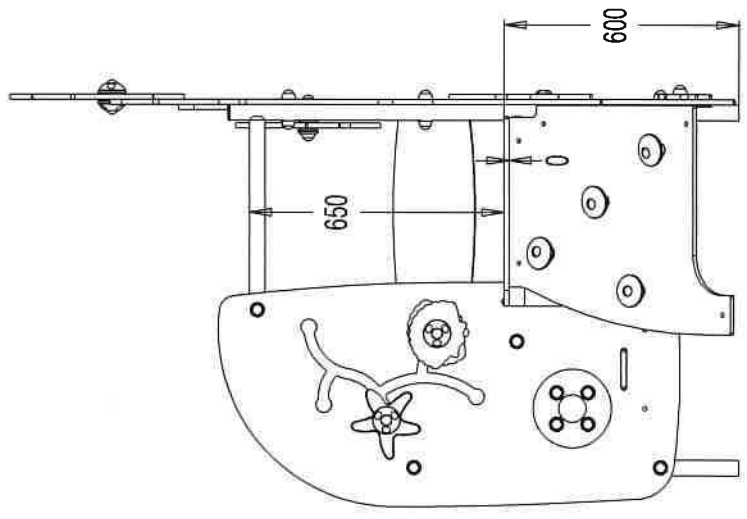
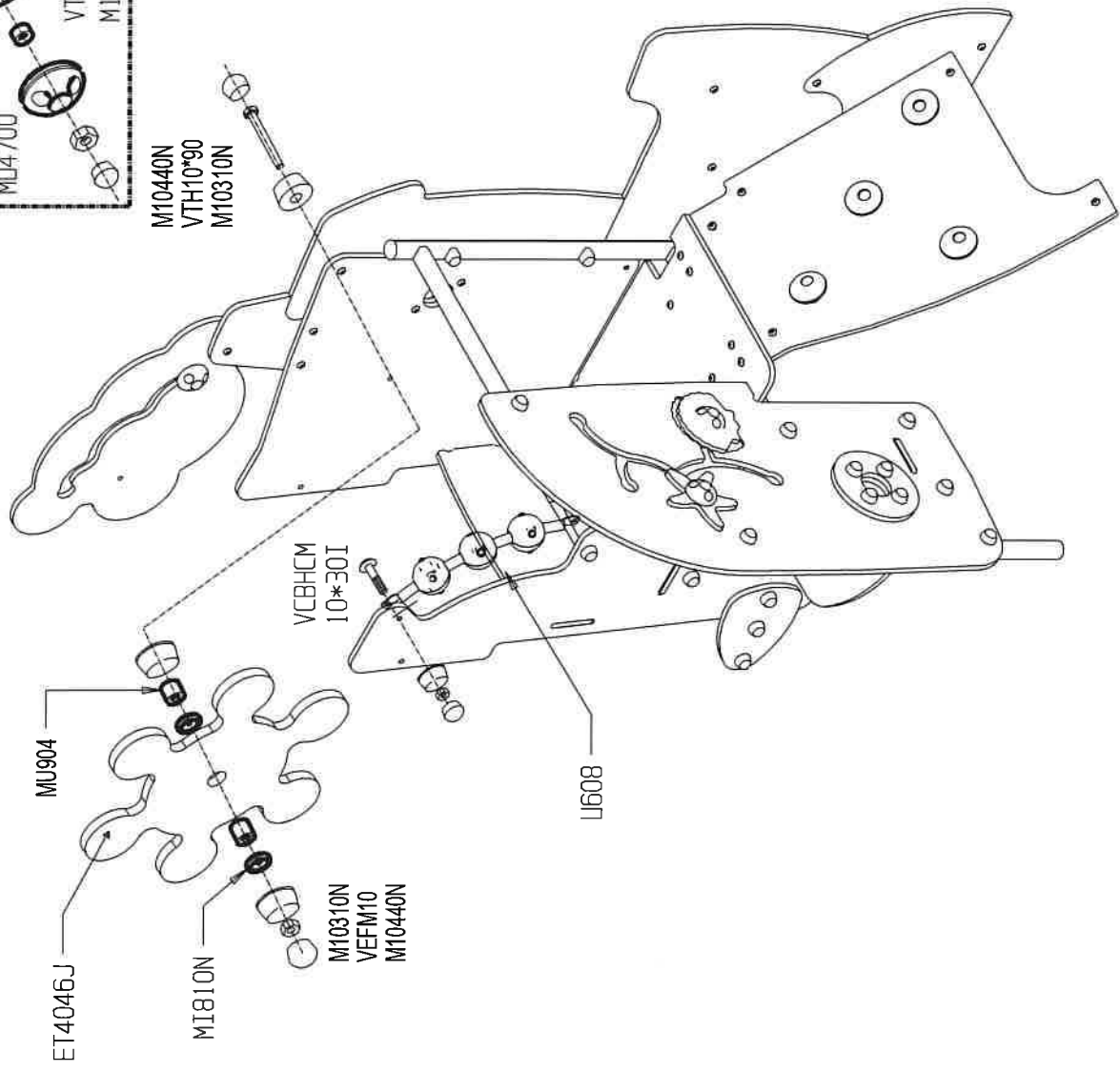


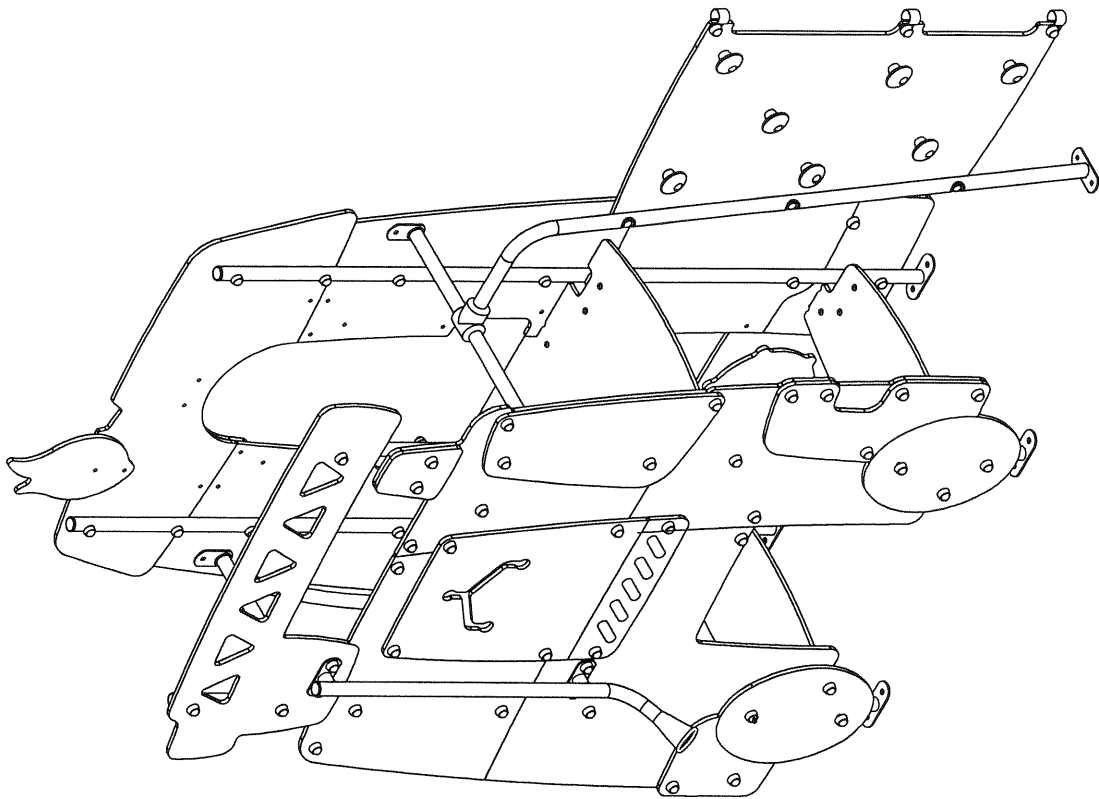
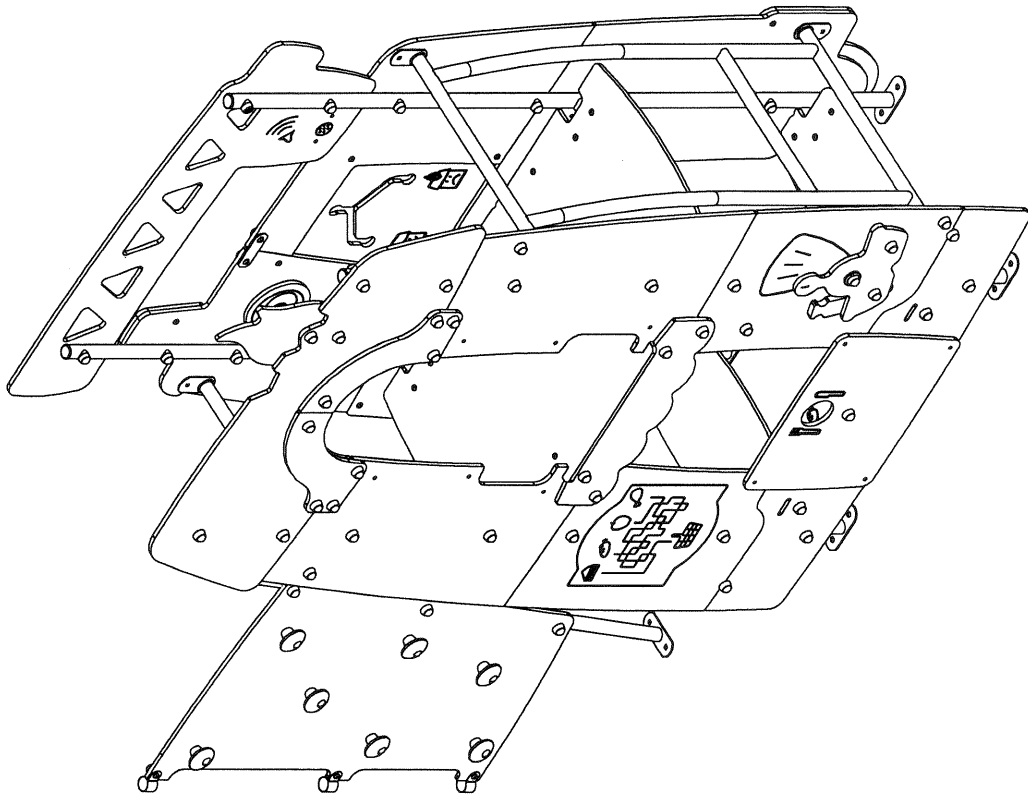
M10440N  
M10310N  
VTH10\*60



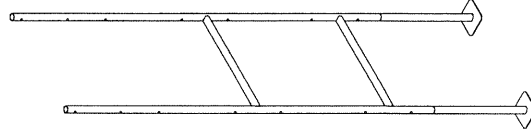
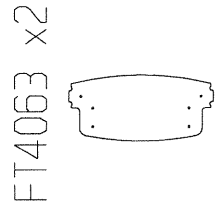
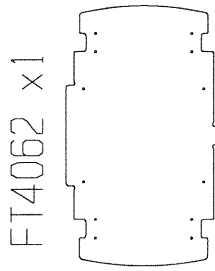
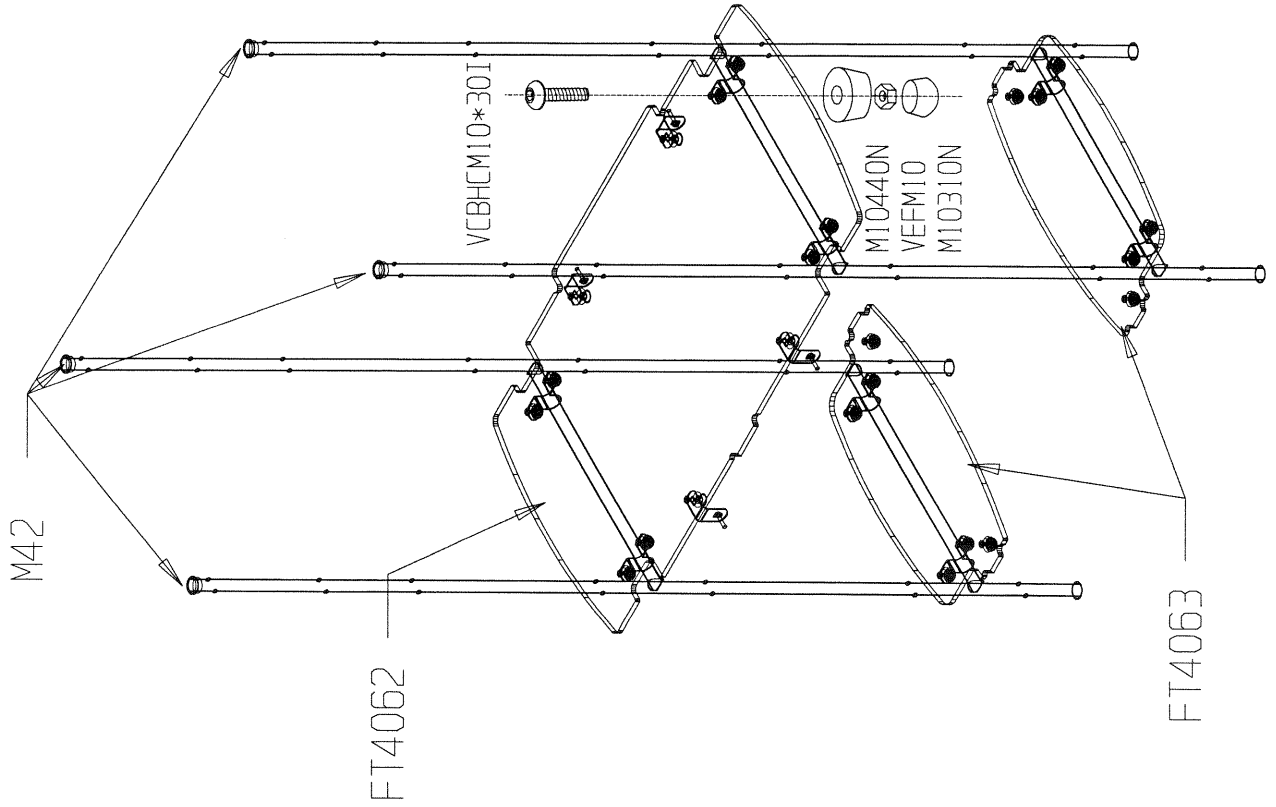
7

- VEFM10
- MI323J x 2
- MU4700
- VTH10x60
- M10440N x 2





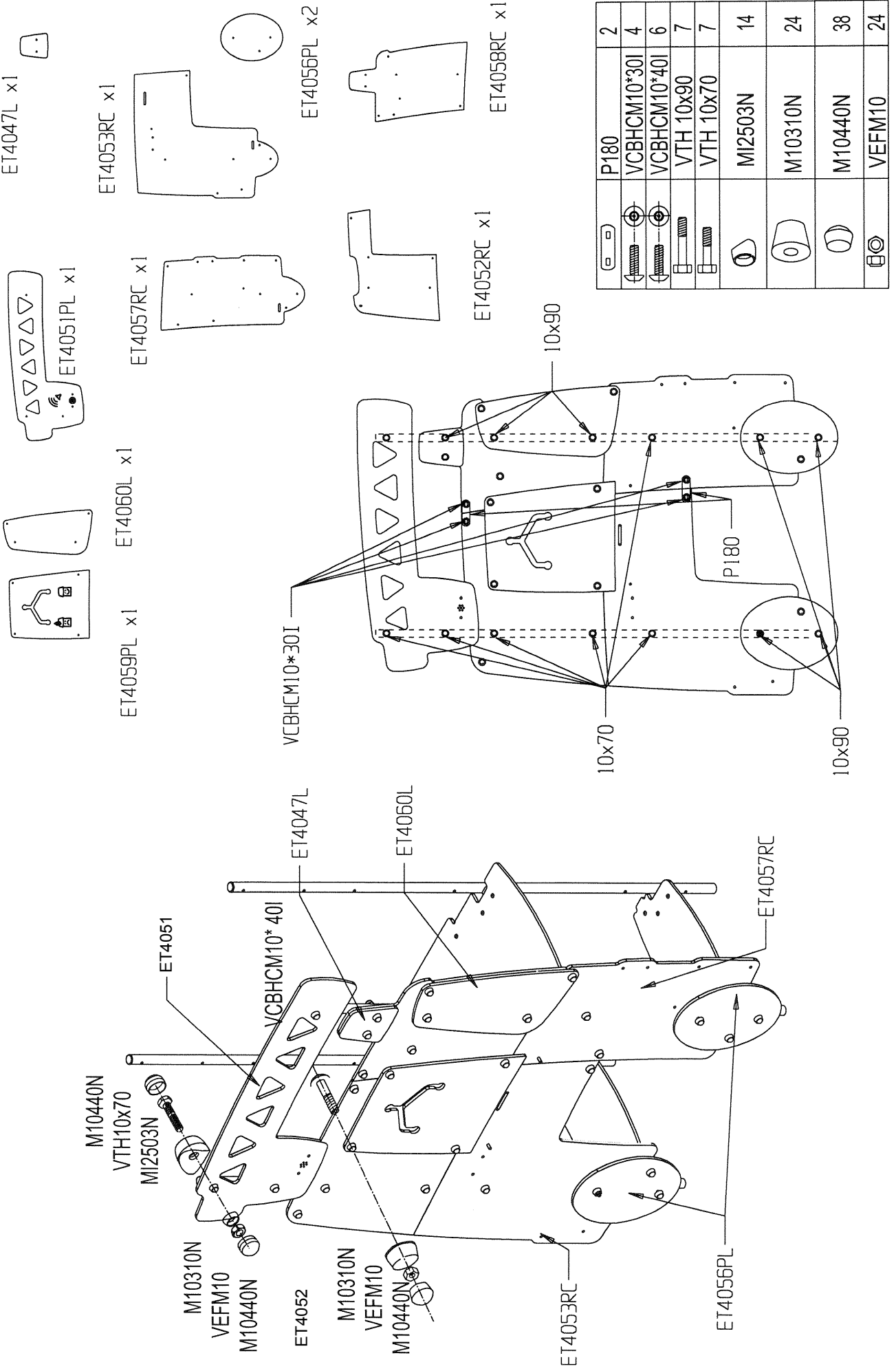




LG4004 x 2



	M42	4
	VEFM10	16
	VCBHC10*30I	16
	M10310N	16
	M10440N	16



ET4047L x1

ET4051PL x1

ET4053RC x1

ET4057RC x1

ET4060L x1

ET4059PL x1

ET4056PL x2

ET4058RC x1

ET4052RC x1

	P180	2
	VCBHCM10*30I	4
	VCBHCM10*40I	6
	VTH 10x90	7
	VTH 10x70	7
	MI2503N	14
	M10310N	24
	M10440N	38
	VEFM10	24

M10440N

VTH10x70

M12503N

M10310N

VEFM10

M10440N

ET4052

M10310N

VEFM10

M10440N

ET4053RC

ET4056PL

ET4057RC

VCBHCM10\*30I

VCBHCM10\*40I

ET4047L

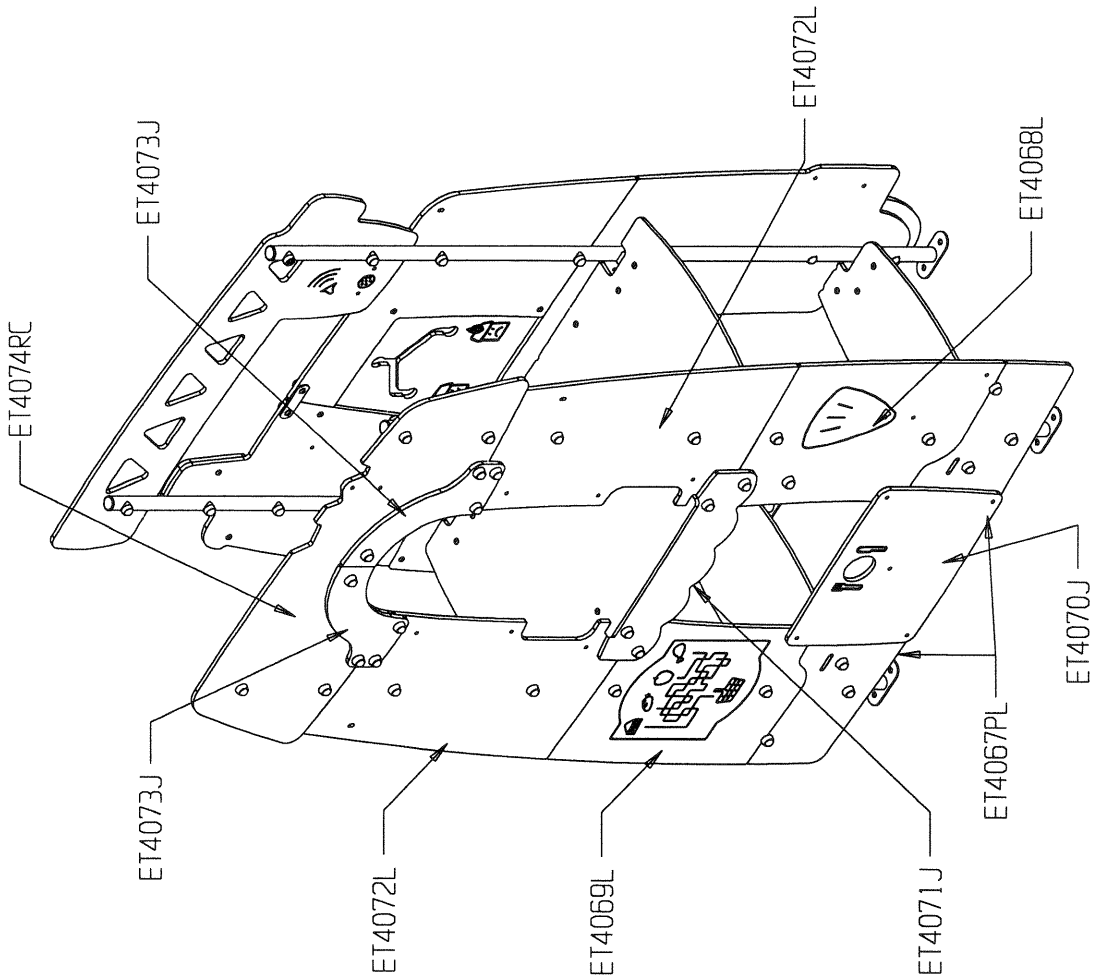
ET4060L

10x90

10x70

P180

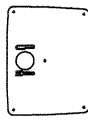
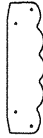
10x90



ET4074RC x1

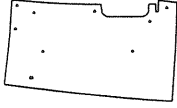


ET4071J x1



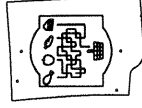
ET4070J x1

ET4072L x2

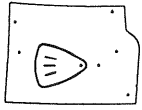


ET4067PL x2

ET4073J x2

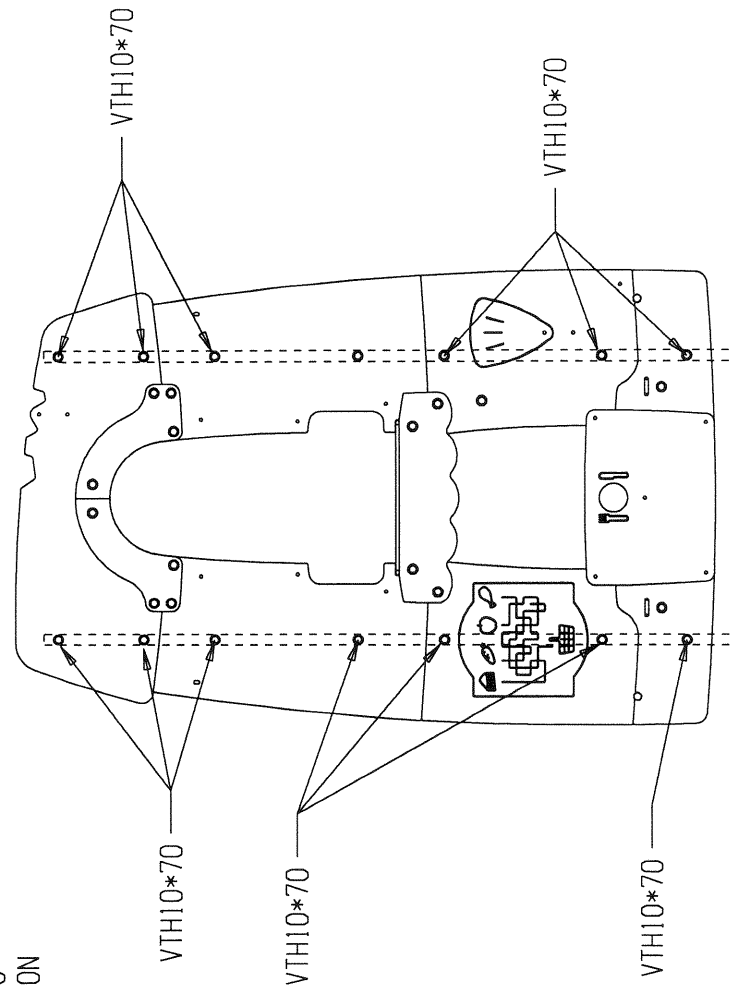
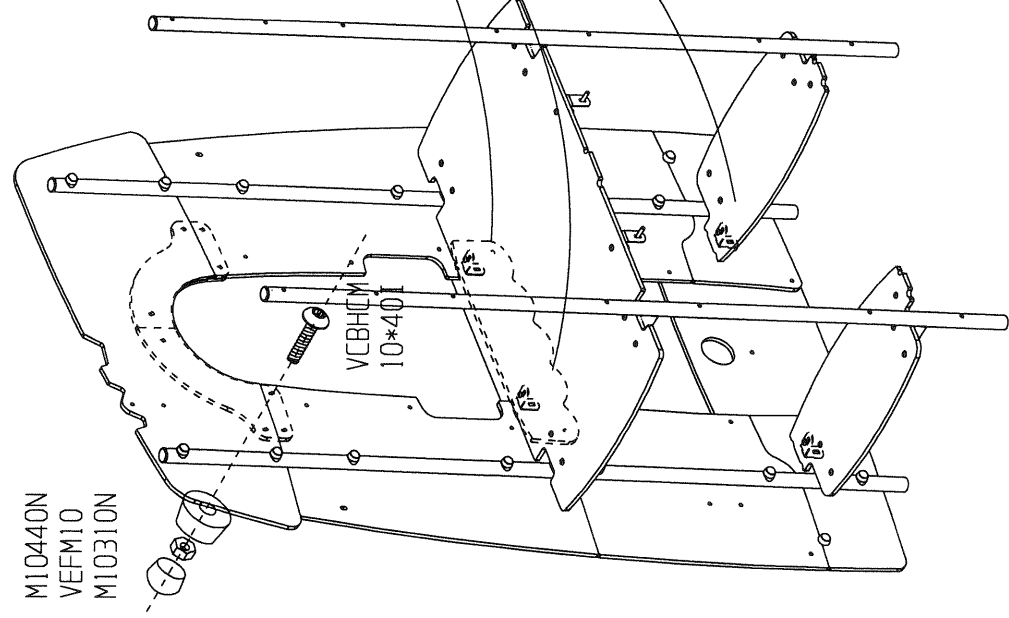
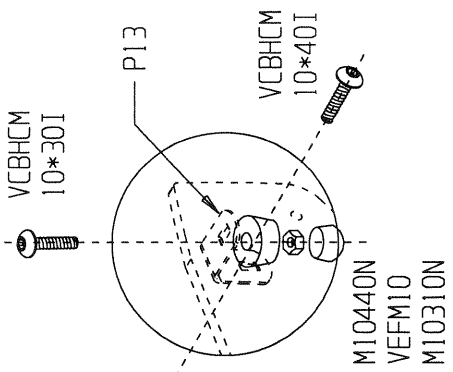
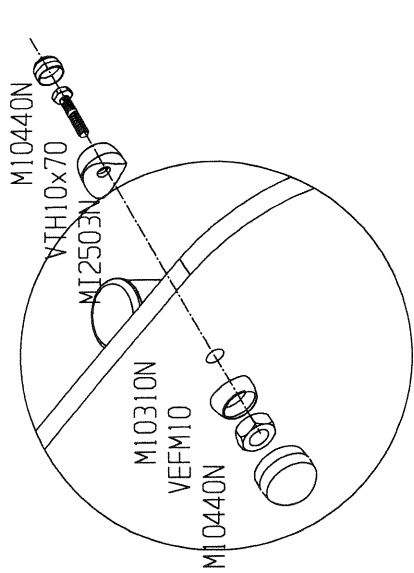


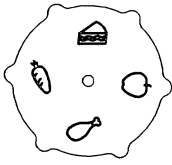
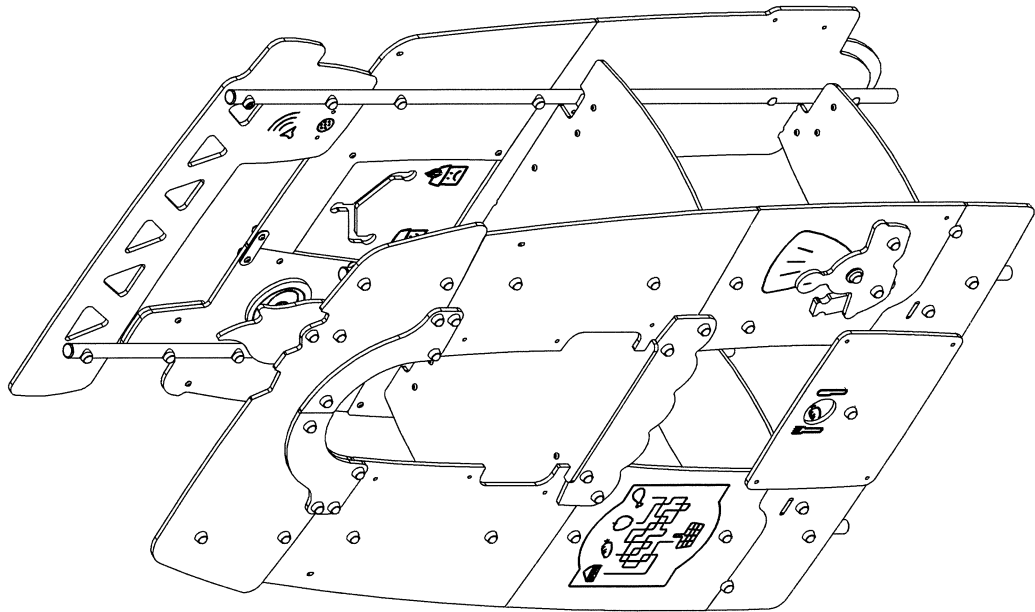
ET4069L x1



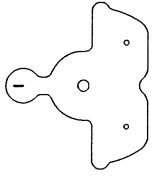
ET4068L x1

	VCBHC10*40I	16
	VCBHC10*30I	6
	70 mm :P13	4
	VTH 10x70	14
	MI2503N	14
	M10310N	34
	M10440N	48
	VEFM10	34





ET4066J x1

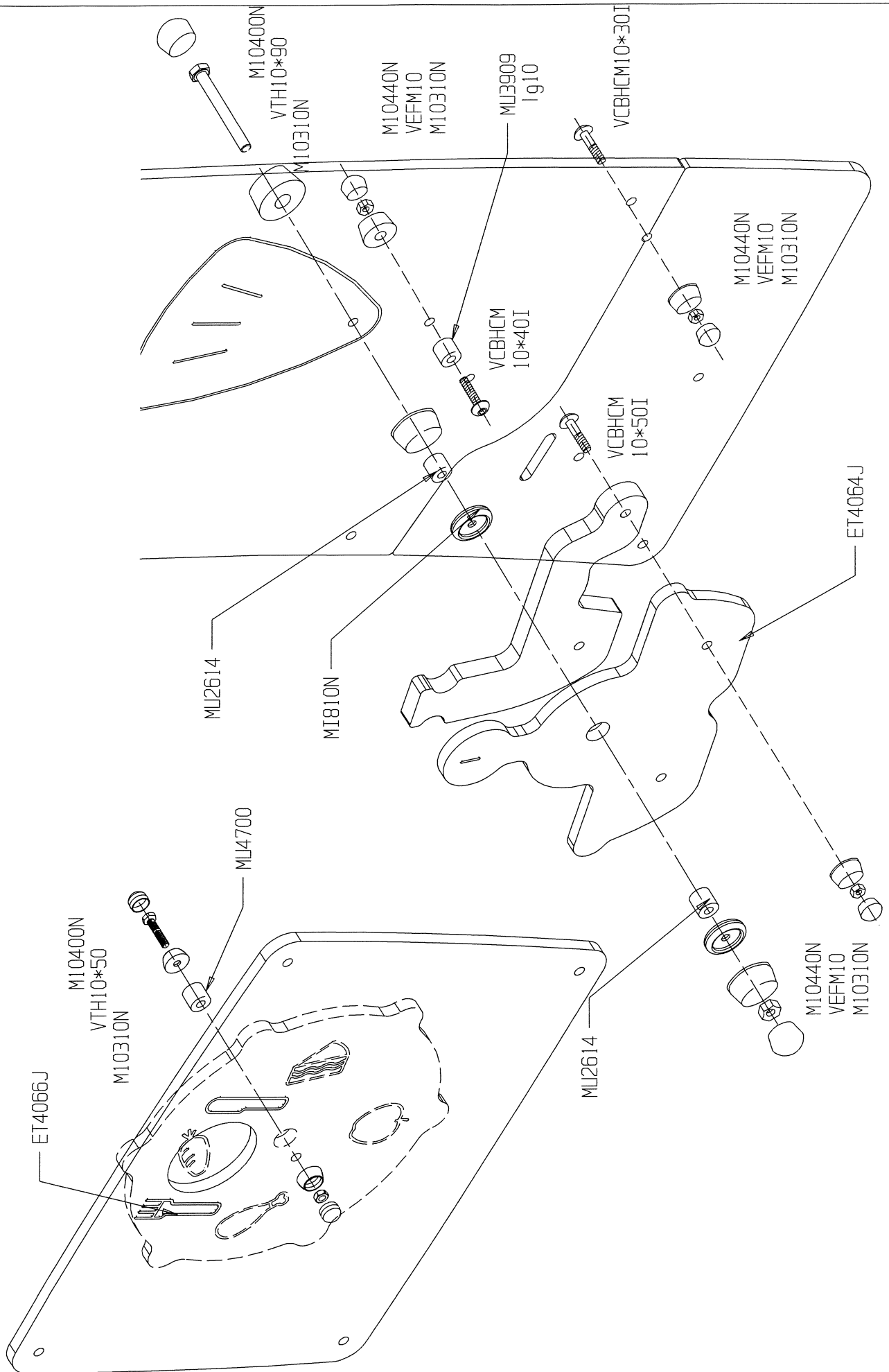


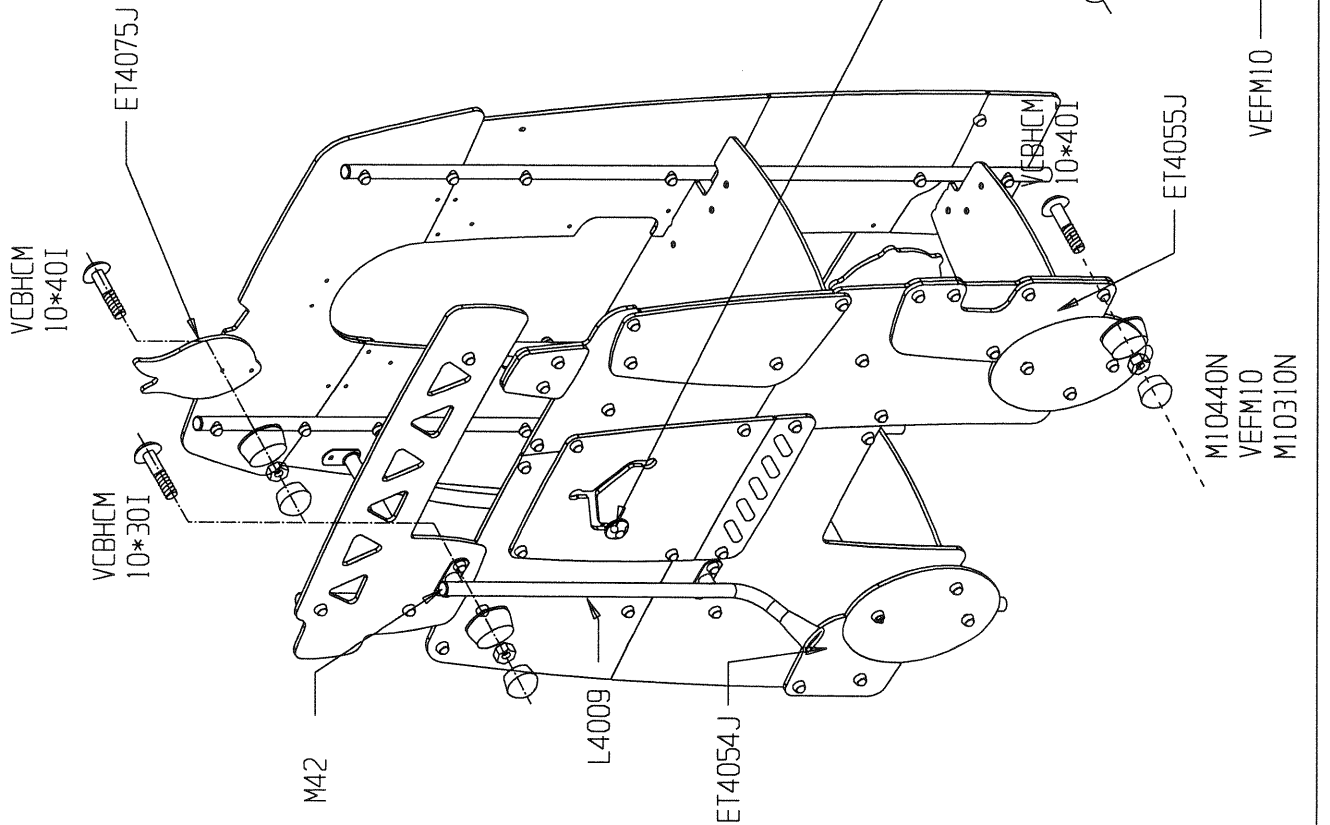
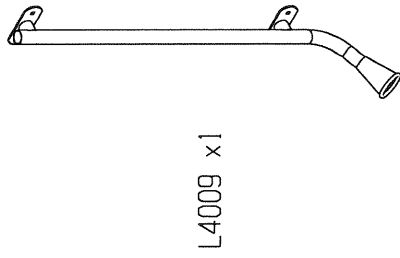
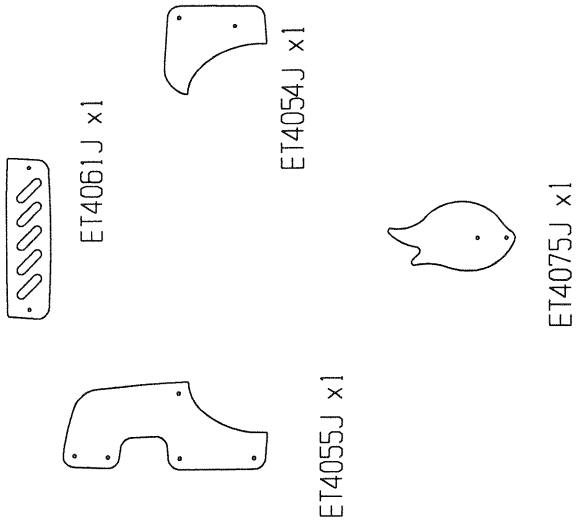
ET4064J x1

EP4065N x1



	MLJ3909	Ig10	1
	MLJ2614	Ig24	2
	MLJ4700	Ig15	1
	MI810N		2
	VTH	10x90	1
	VTH	10x50	1
	VEFM10		6
	VCBHC10*30I		1
	M10310N		9
	M10440N		8
	VCBHC10*40I		1
	VCBHC10*50I		2

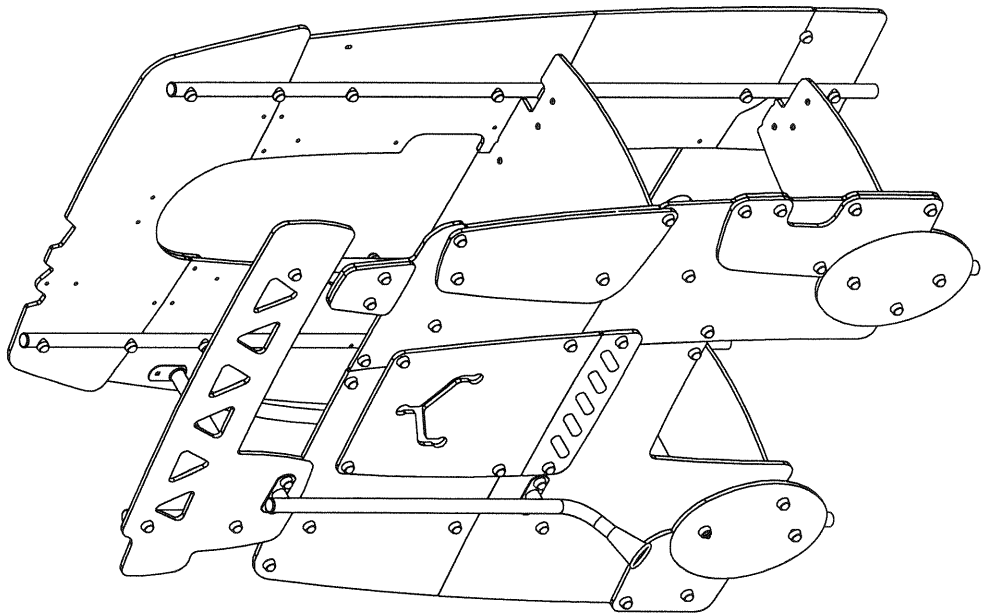


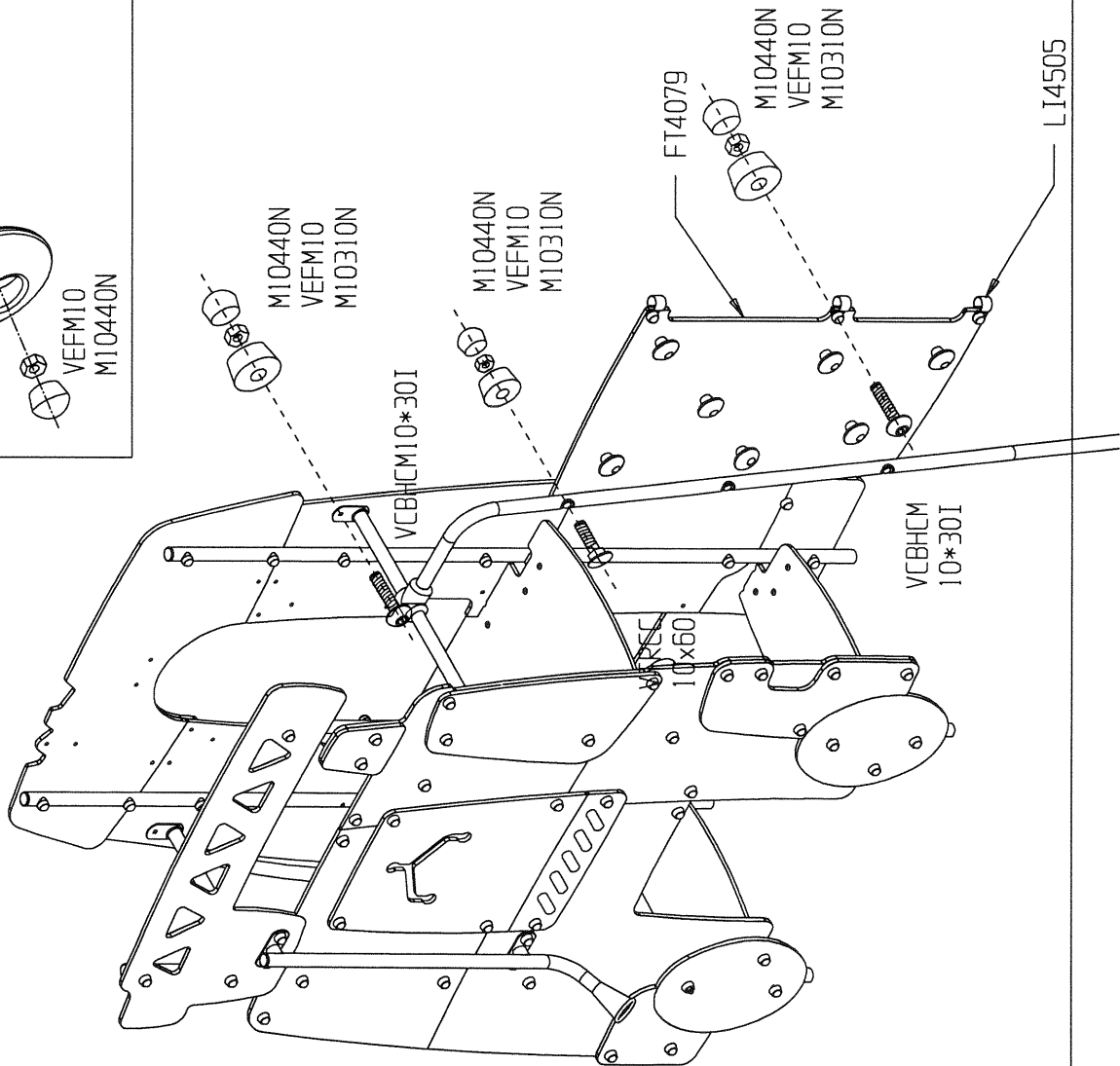
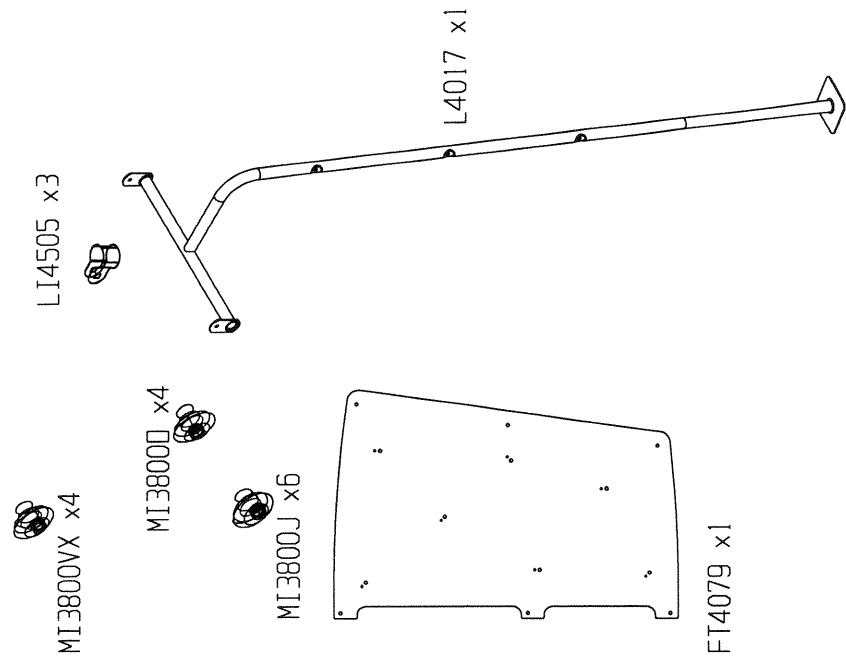
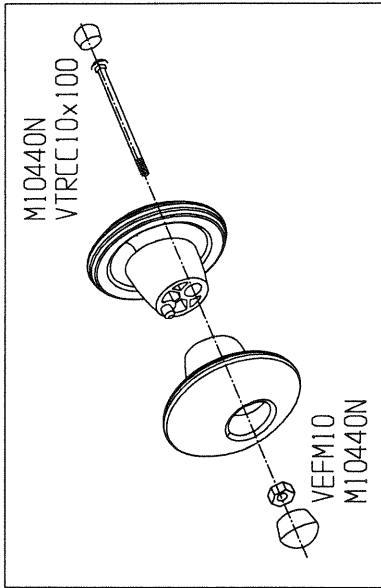


	M42	1
	VTH 10x60	1
	MI323J	2
	ML4700	1
	VEFM10	13
	VCBHCM10*40I	8
	VCBHCM10*30I	4
	M10310N	12
	M10440N	14









	VEFM10	15
	M10310N	7
	M10440N	22
	VCBHCM10x30I	5
	VCBHCM6x25I	4
	VEBMB	4
	VTRCC10x100	7
	VTRCC10x60	3



MI2502N X 2

