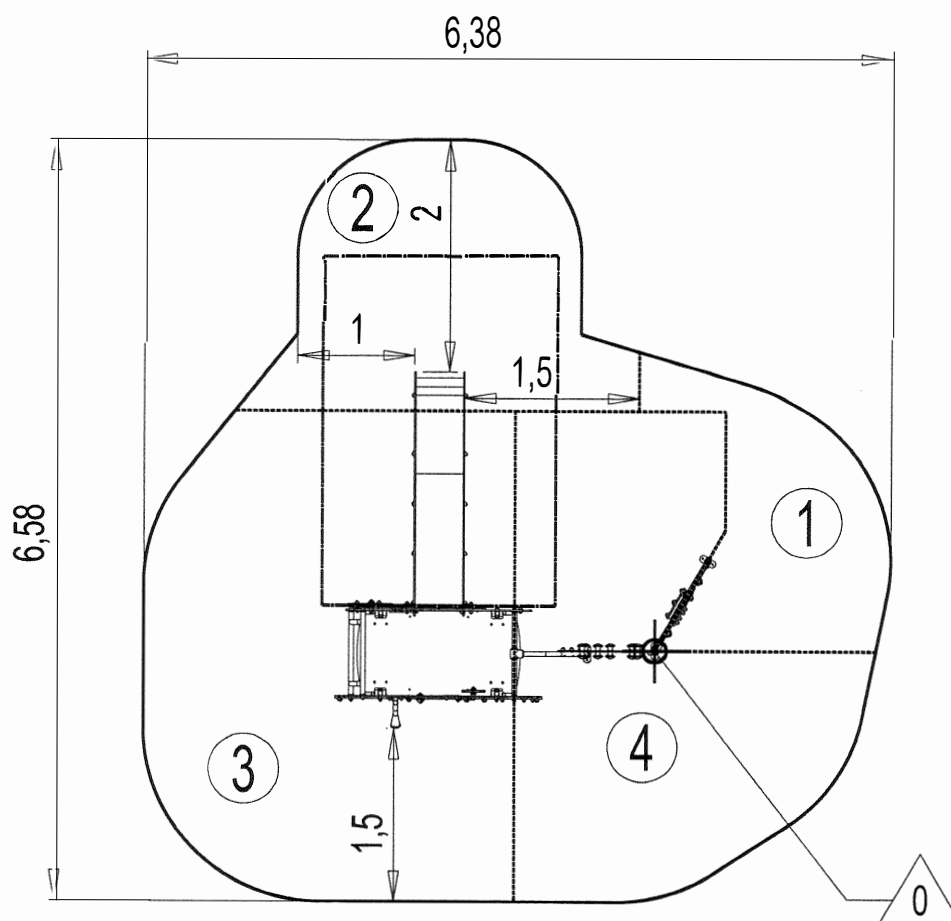


N°	m	m ²
①	0.6 m	3.5 m ²
②	1 m	6 m ²
③	1.17 m	12.5 m ²
④	1.8 m	9 m ²

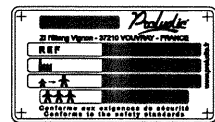
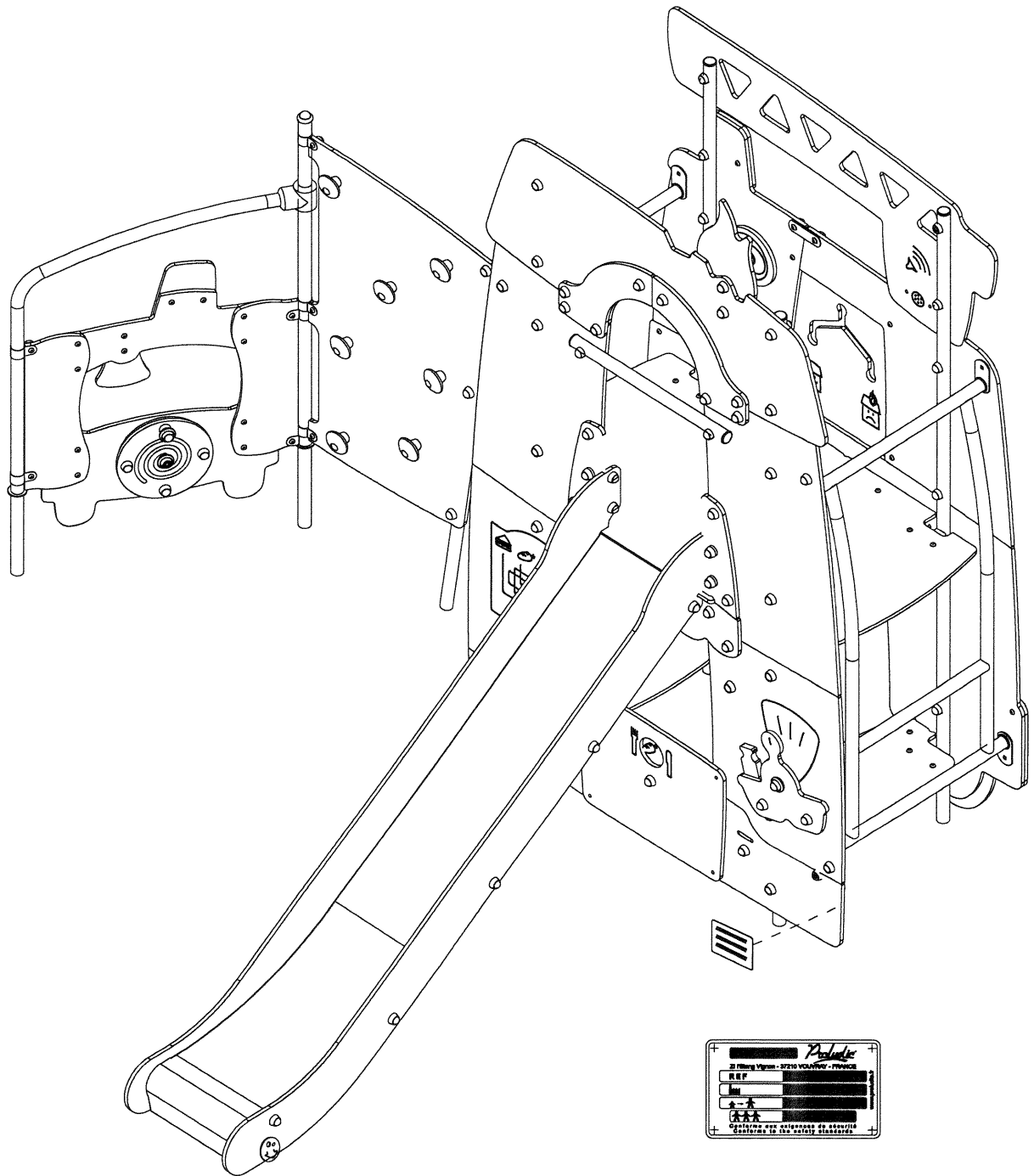
Zone d'Impact
 Impact Area
 Area de Impacto
 Fallraum
 Valzone

EN 1176-1:2017
 EN 1176-3:2017

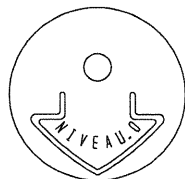
Espace libre
 Free Space
 Espacio Libre
 Freiraum
 Vrije ruimte



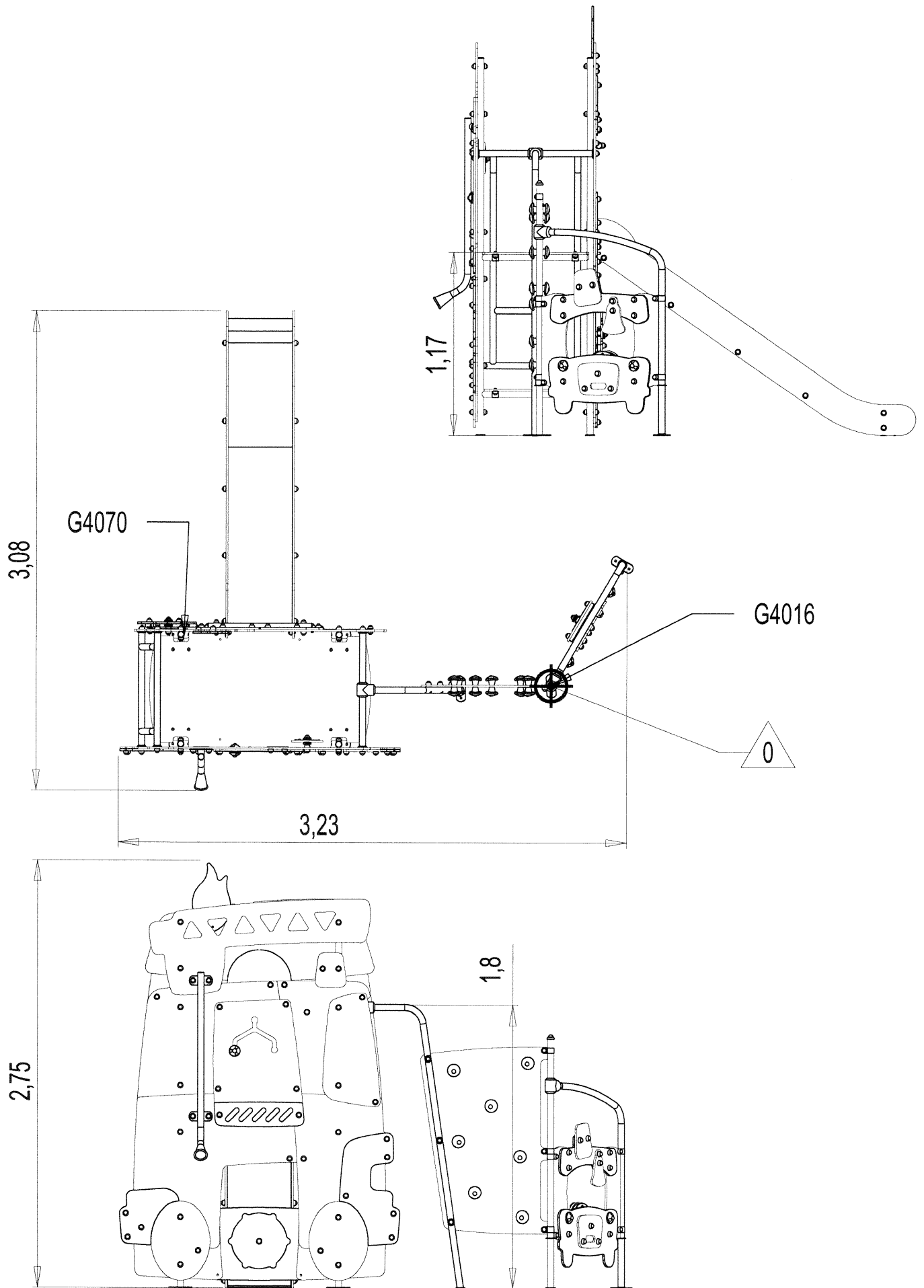
Point de Référence
 Setting Out Point
 Punto de referencia
 Bezugspunkt
 Referentiepunt

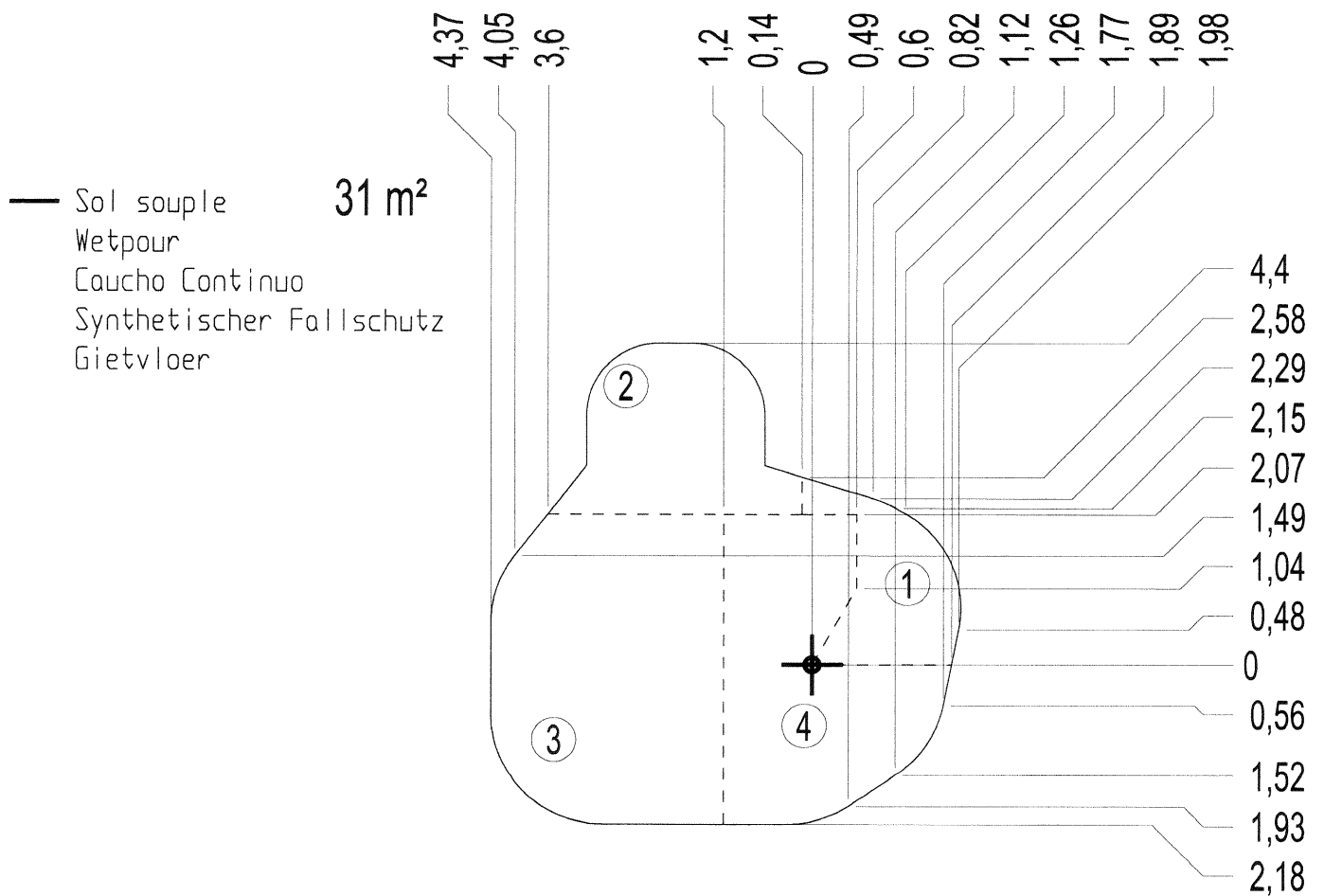
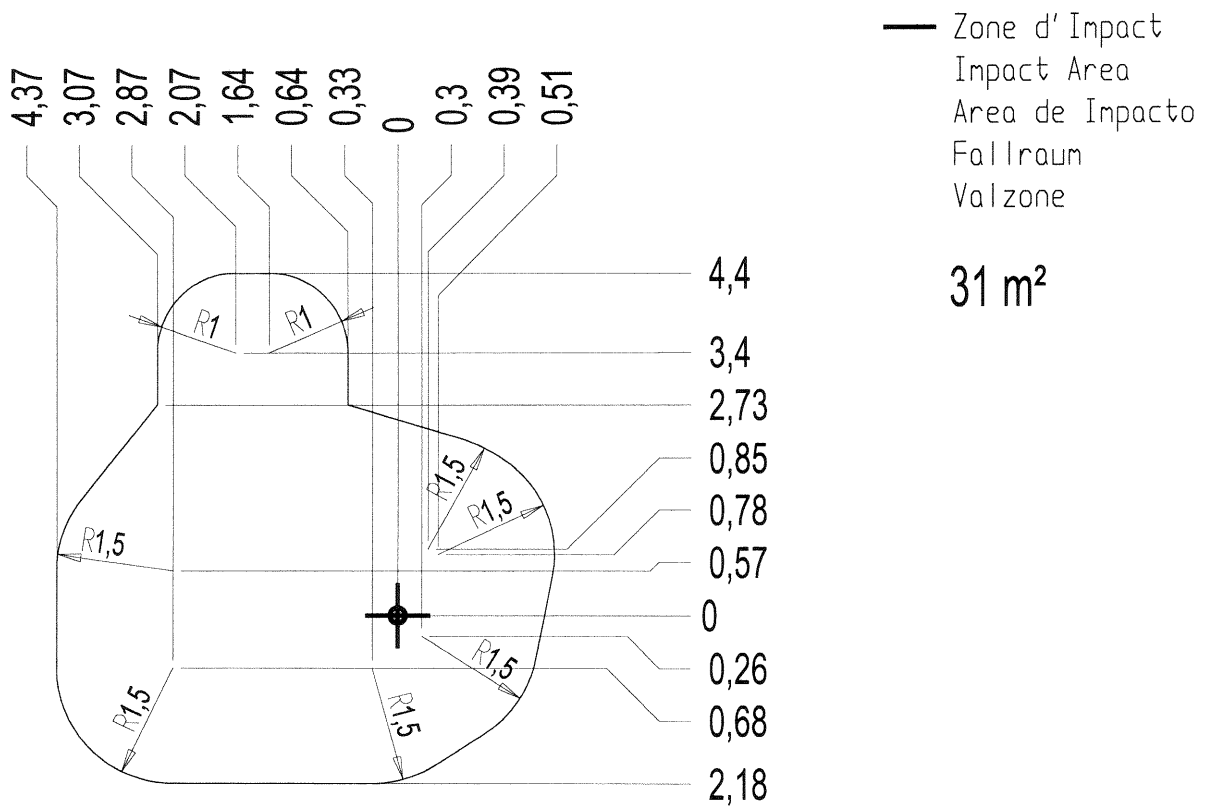


LA000



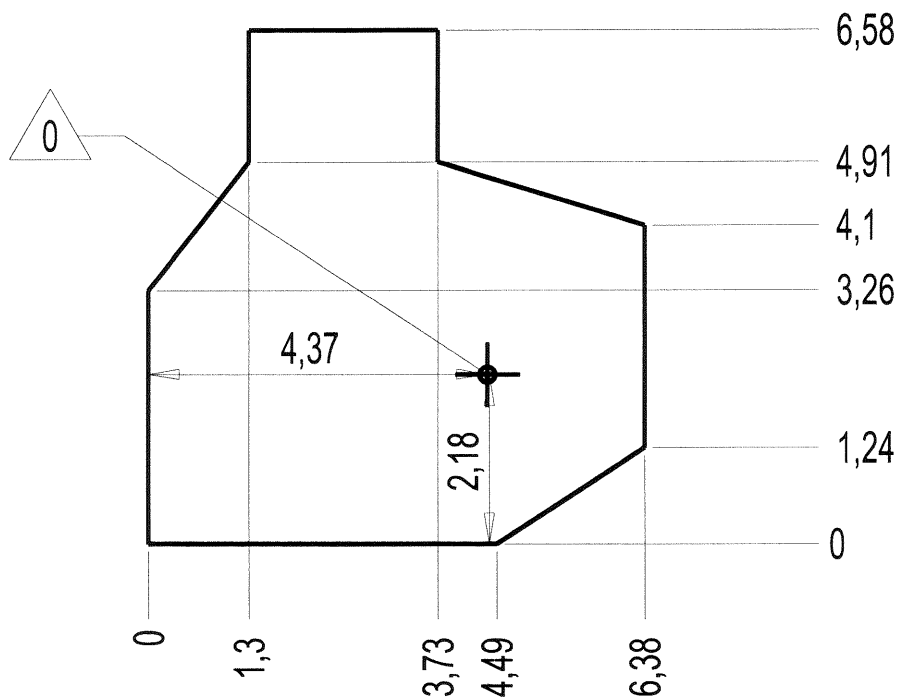
MI0002





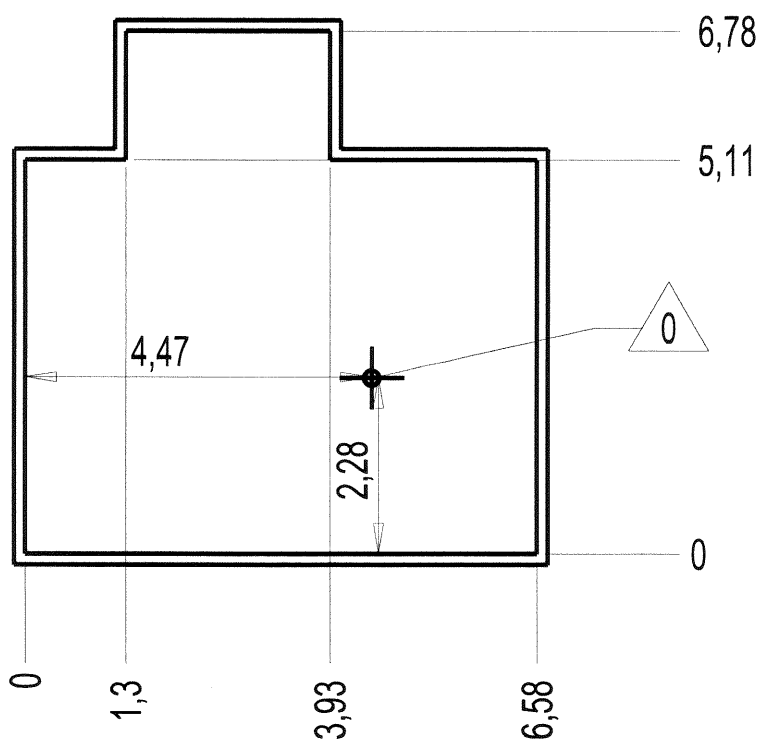
- Dalle béton
- Concrete pad
- Solera de Hormigón
- Beton Bodenplatte
- Betonnen bodenplaat

24 m
33 m²

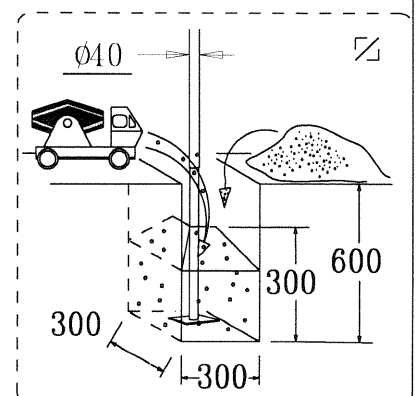
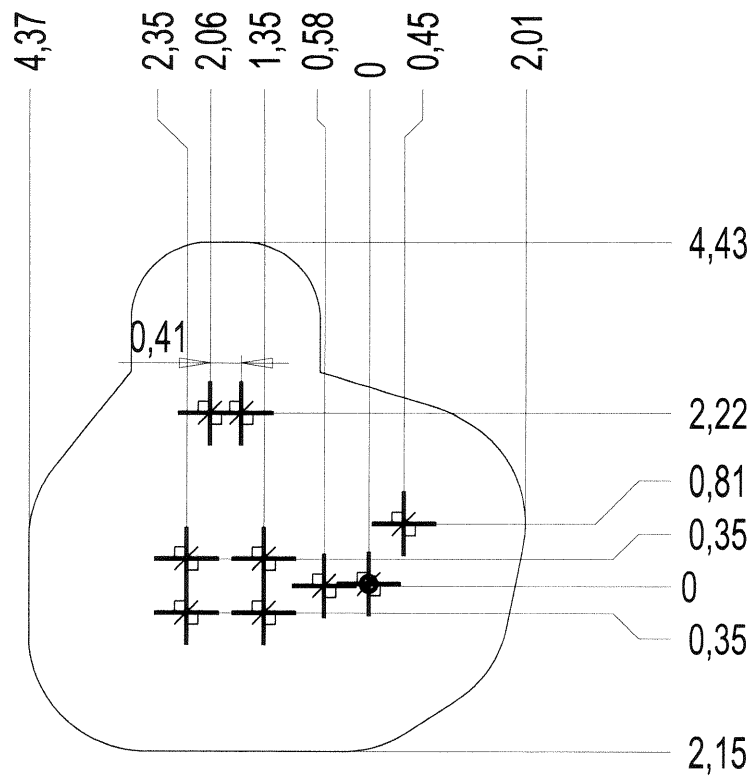


- Sol fluent
- Loose particle material
- Arenero
- Loses Bodennaterial
- Los bodennateriaal

28 m
38 m²

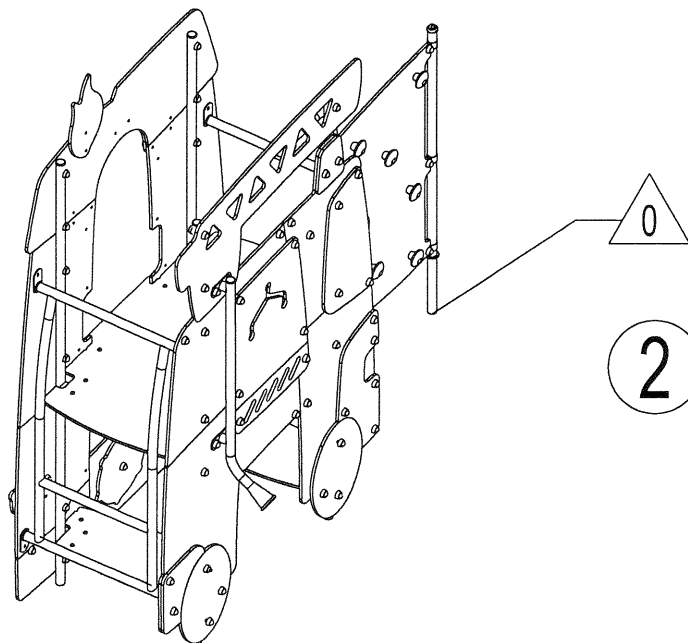


Implantation
 Footing plan
 Implantación
 Fundamentplan
 Funderingstekening

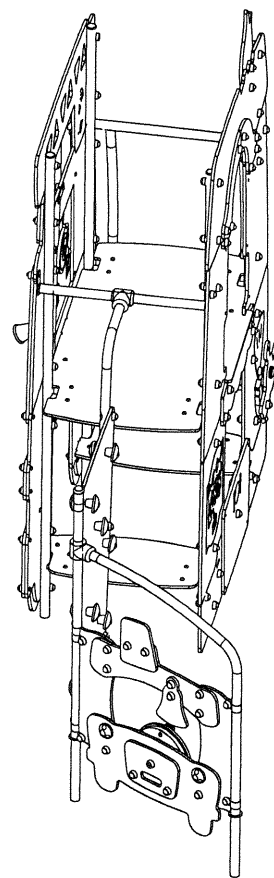


x2	6H	0.3m ³
----	----	-------------------

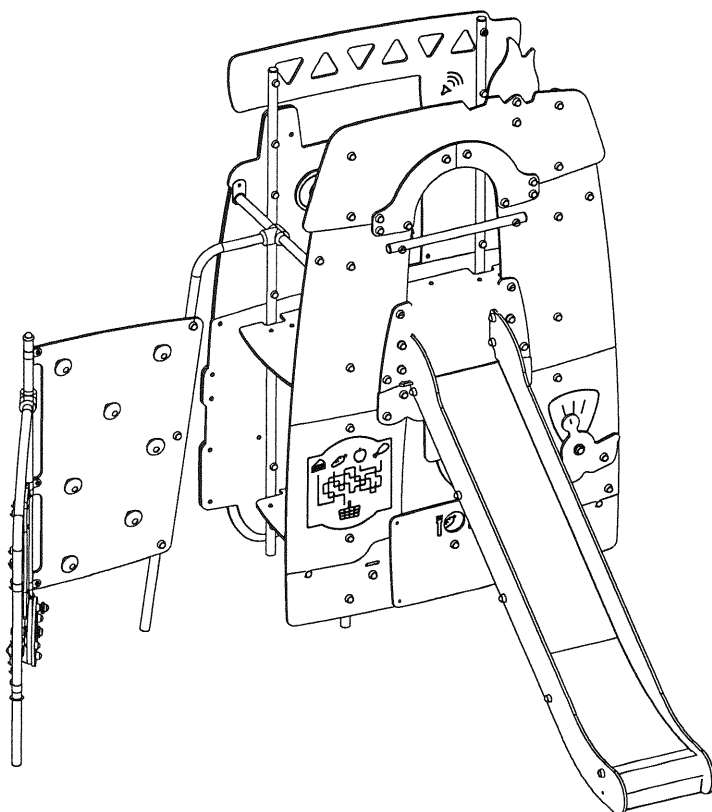
1

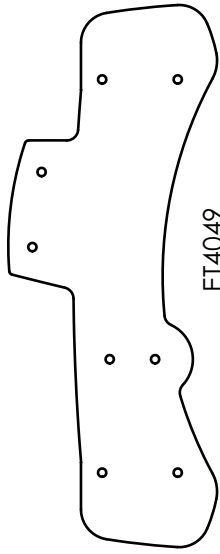
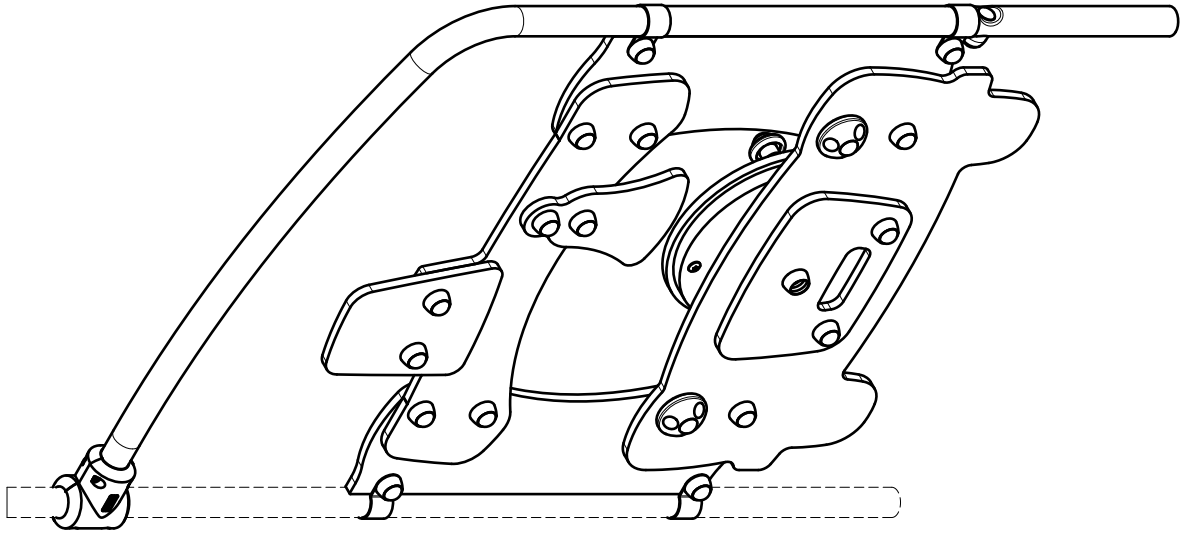


2

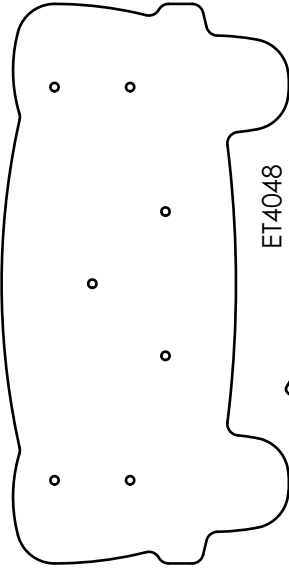


3

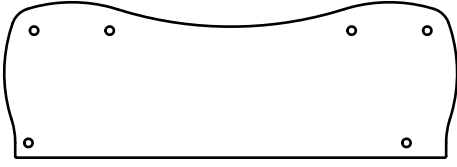




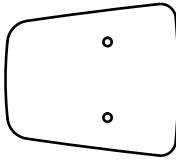
ET4049



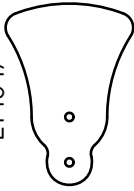
ET4048



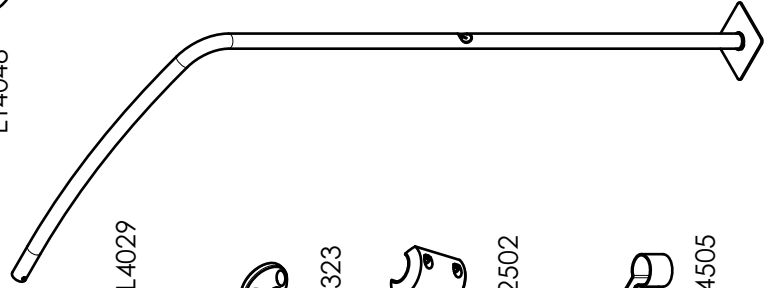
ET3406



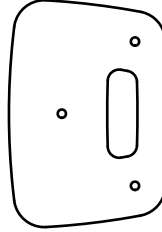
ET4047



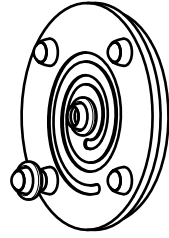
ET4090



L4029



ET4050



U4001



M1323

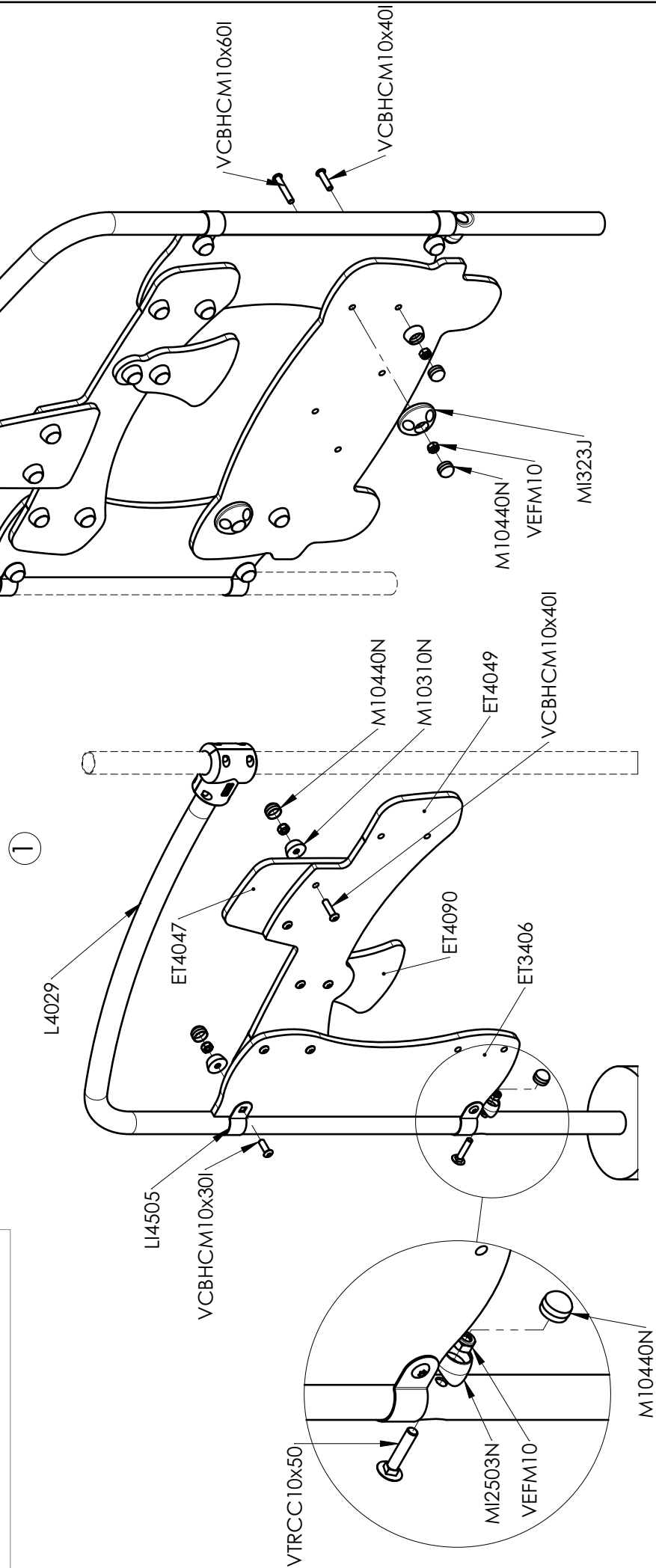
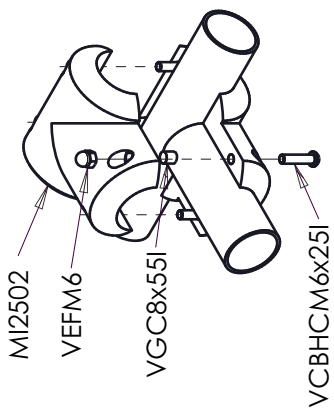


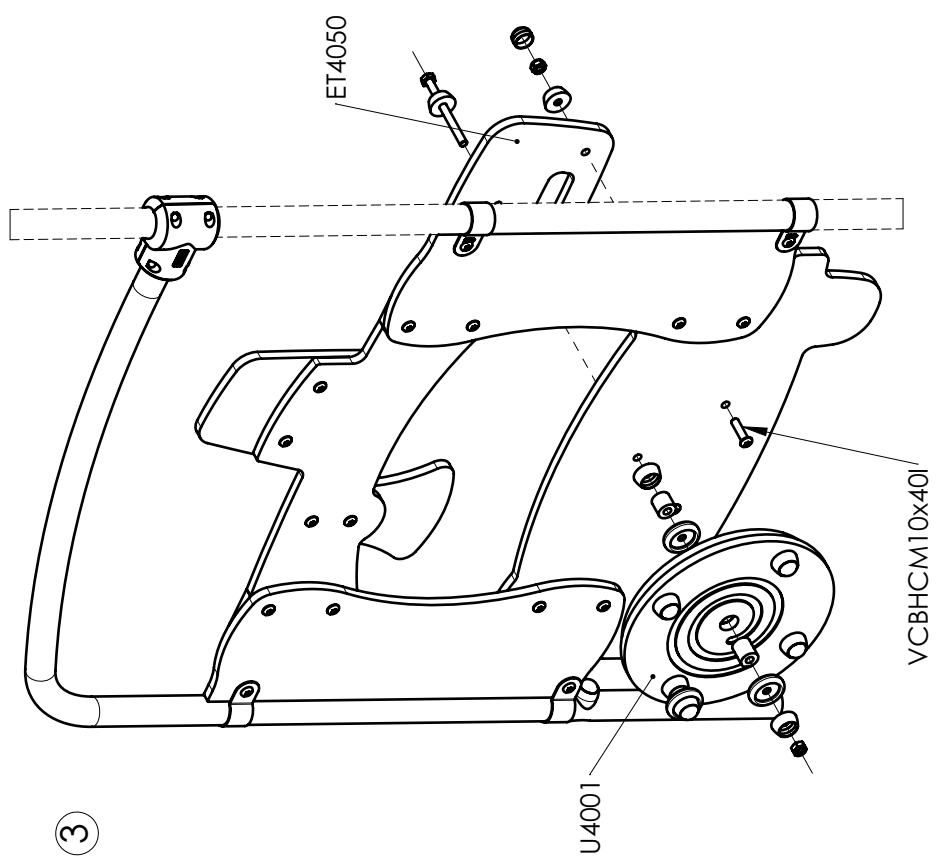
M12502

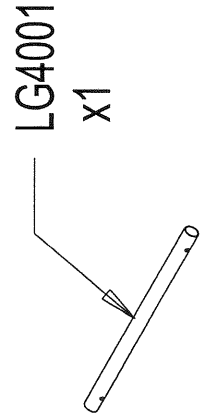
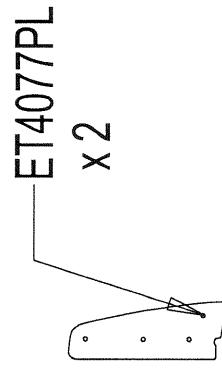
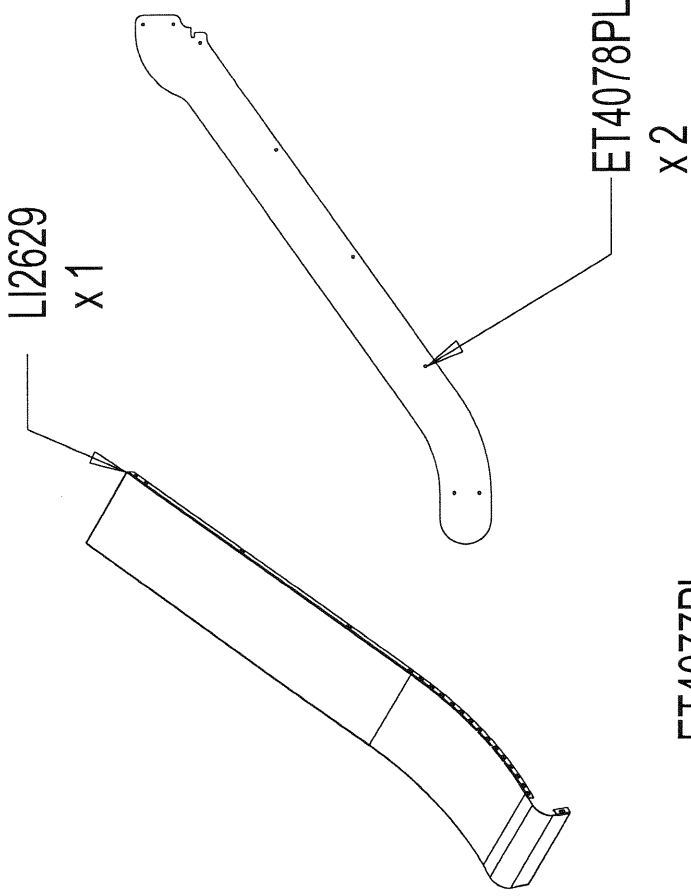
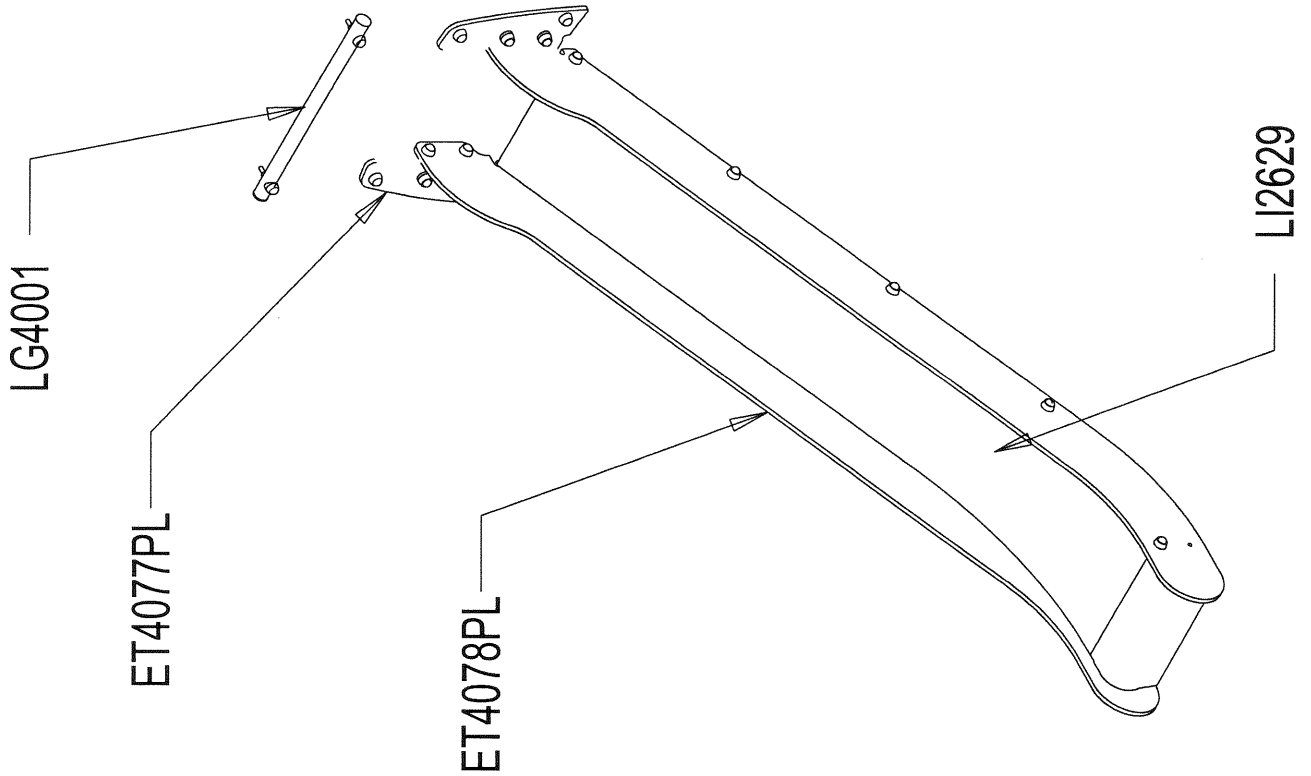


LI4505

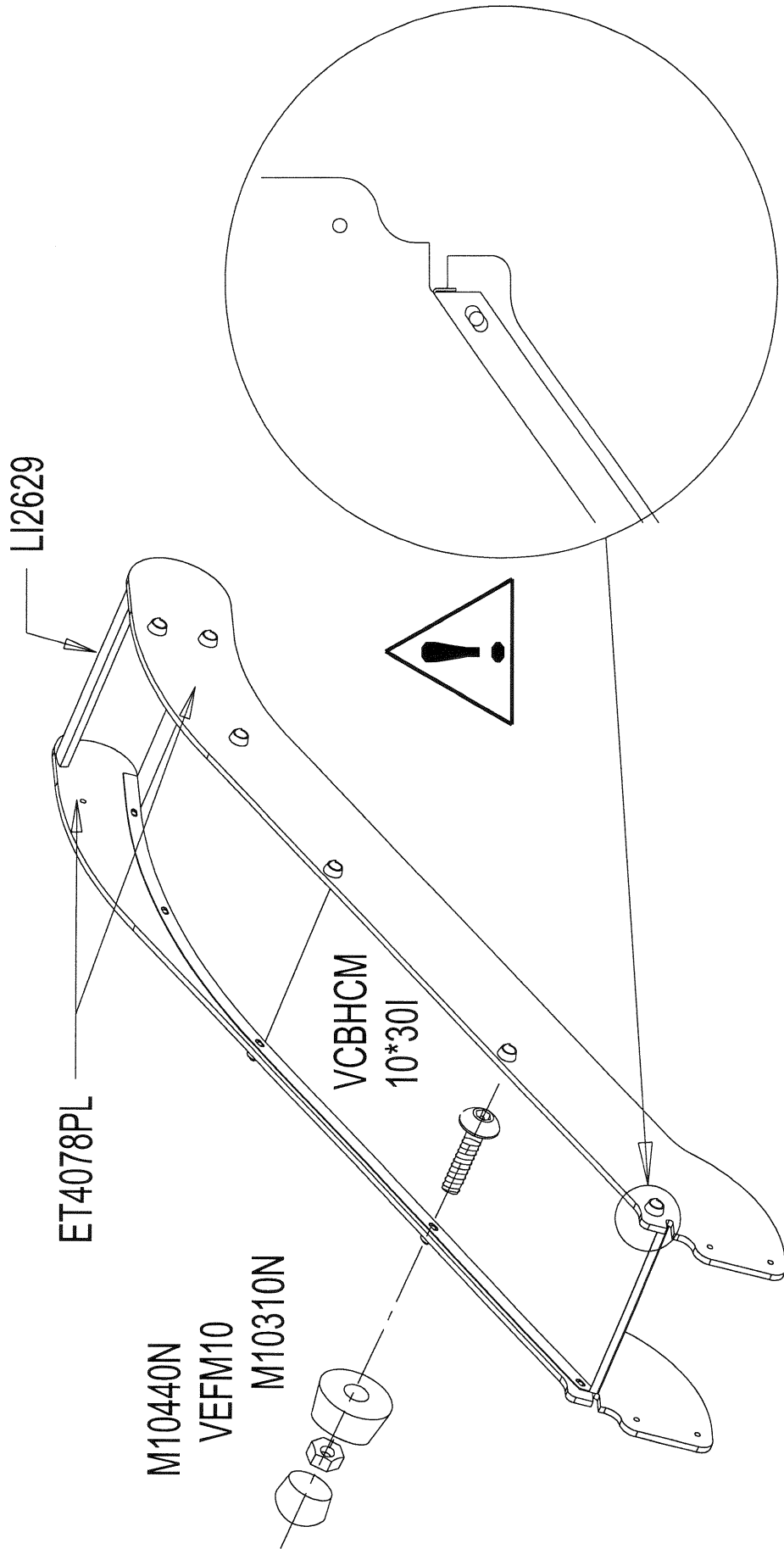
Réf	Qté
ET3406PL	2
ET4047L	1
ET4048J	1
ET4049J	1
ET4050PL	1
ET4090PL	1
L4029	1
LI4505	4
M10310N	16
M10440N	19
M1323J	2
M12502N	2
M12503N	1
U4001	1
VCBHC6x25I	4
VCBHC10x30I	4
VCBHC10x40I	12
VCBHC10x60I	2
VEBM6	4
VEFM10	19
VGC8x55I	1
VTRCC10x50	1



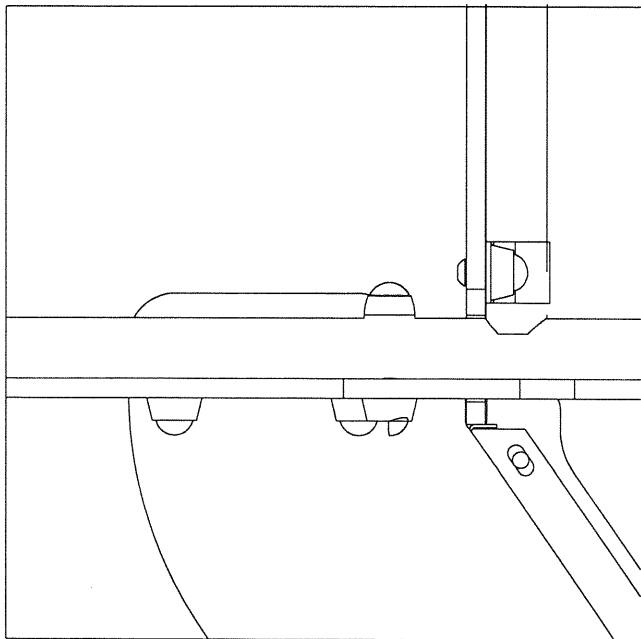




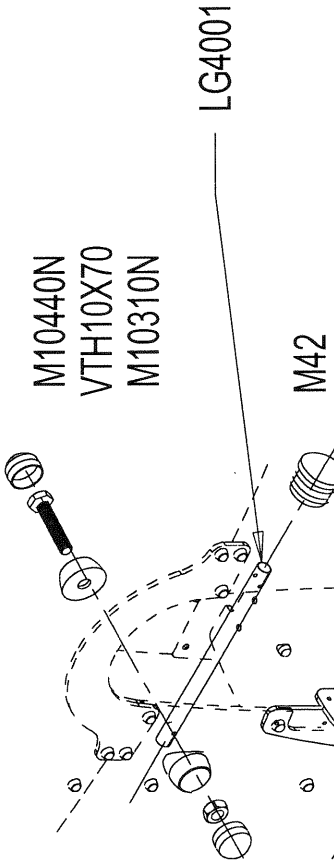
	P20	4
	VEFM10	26
	VCBHC M10*30I	22
	VTH10*70	4
	M10310N	22
	M10440N	22
	M42	2
	MI2503N	2



3/3



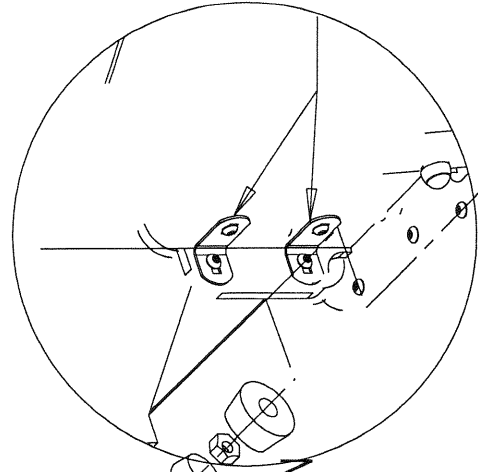
M12503N
VEFM10
M10440N



M10440N
VTH10X70
M10310N

LG4001

M42

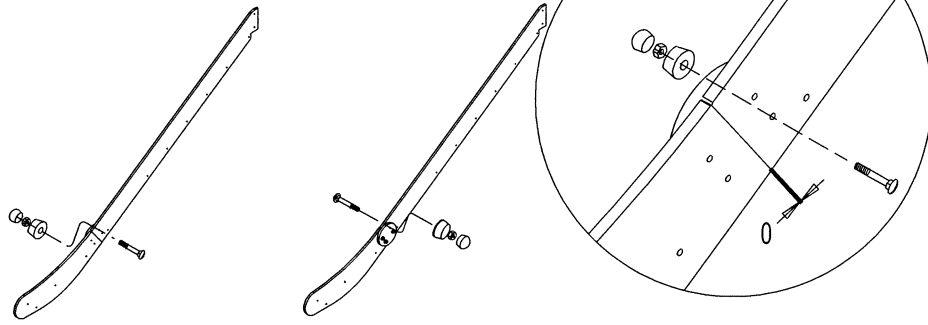


M10440N
VEFM10
M10310N

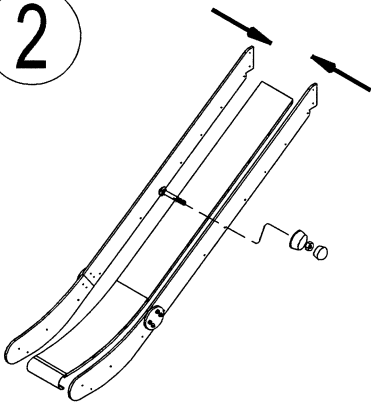
P20

VCBHCM10*30I

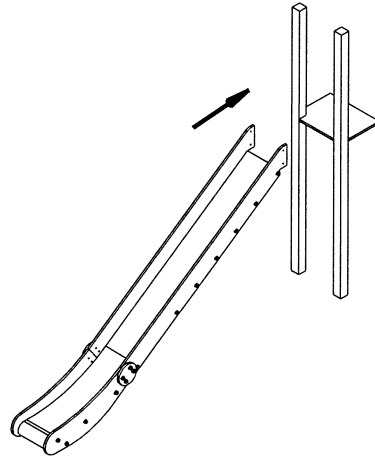
1



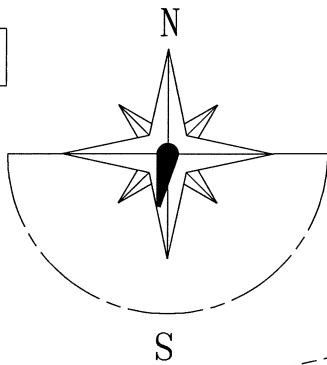
2



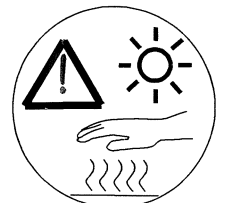
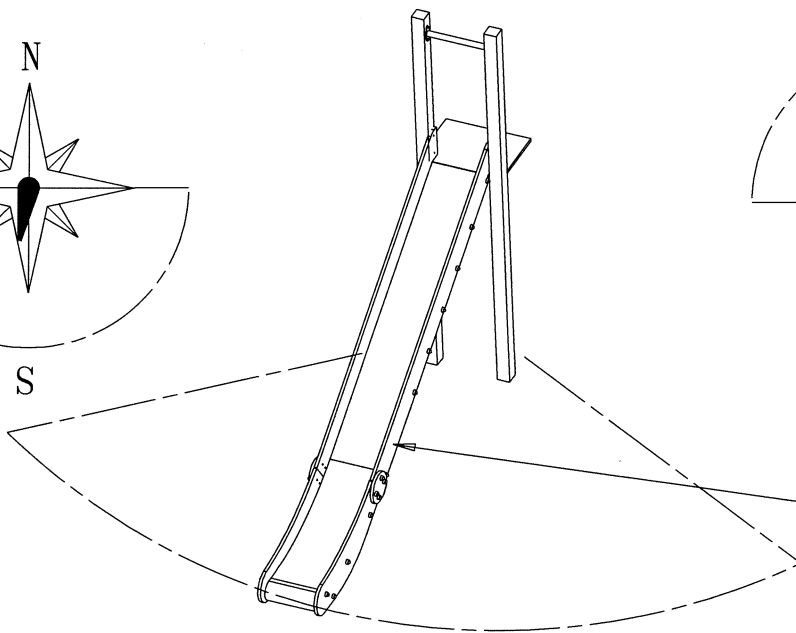
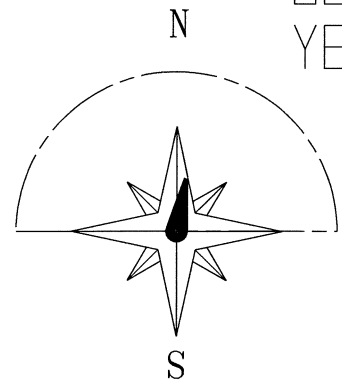
3



NON
NO



OUI
YES



STOBG

FR

Il est recommandé de ne pas orienter la glissière Sud / Sud Ouest

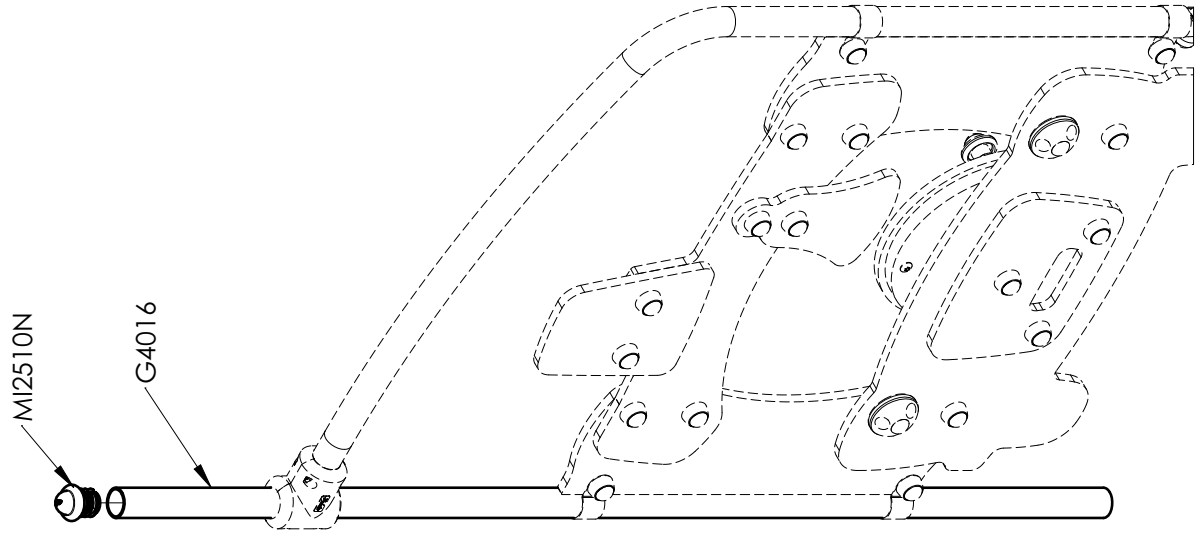
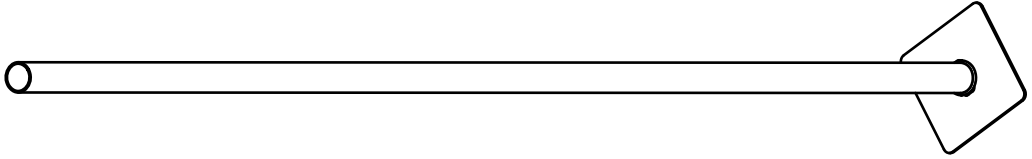
MI2510N

G4016

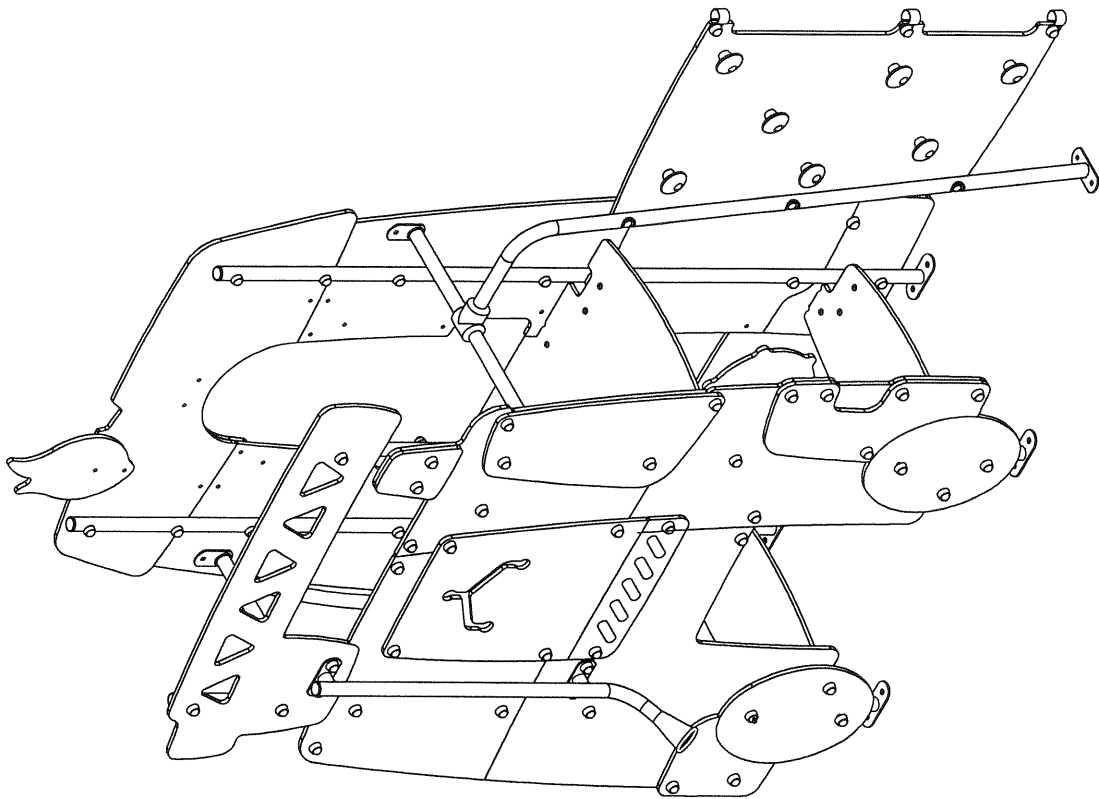
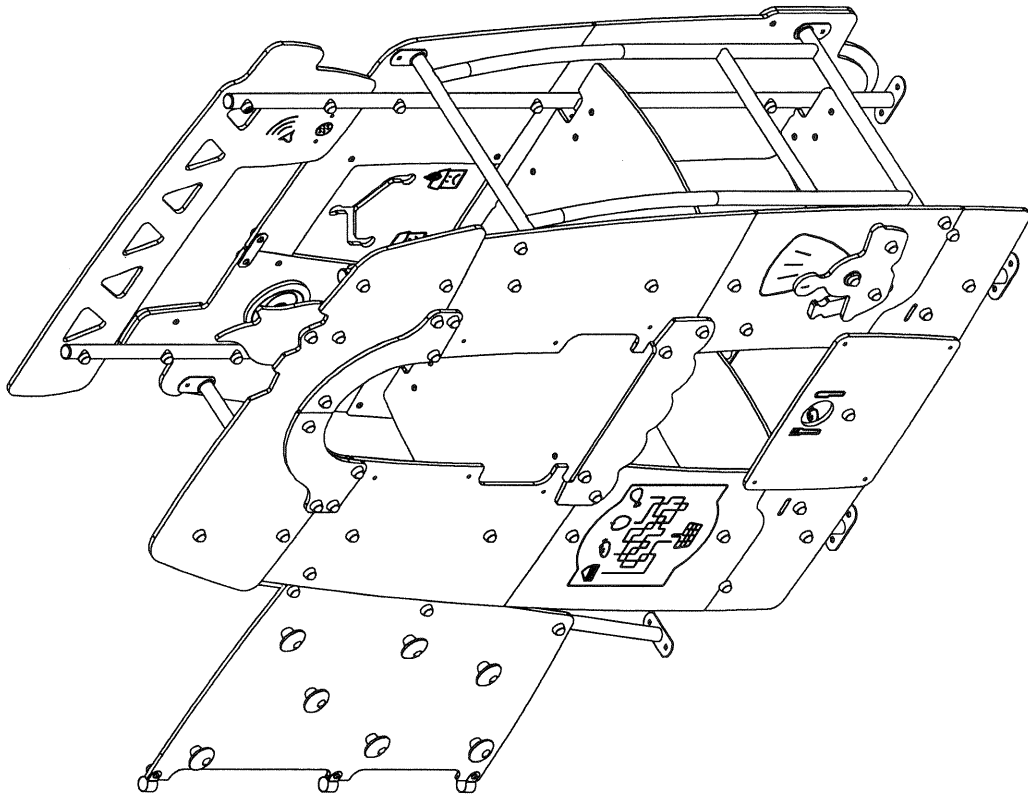
MI2510N

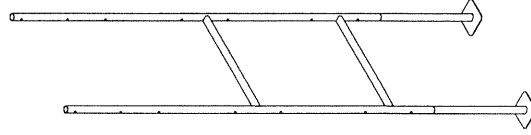
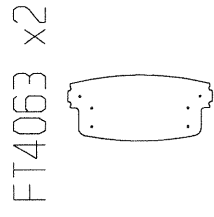
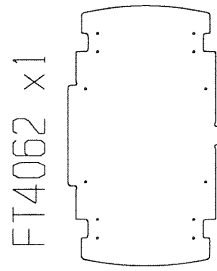
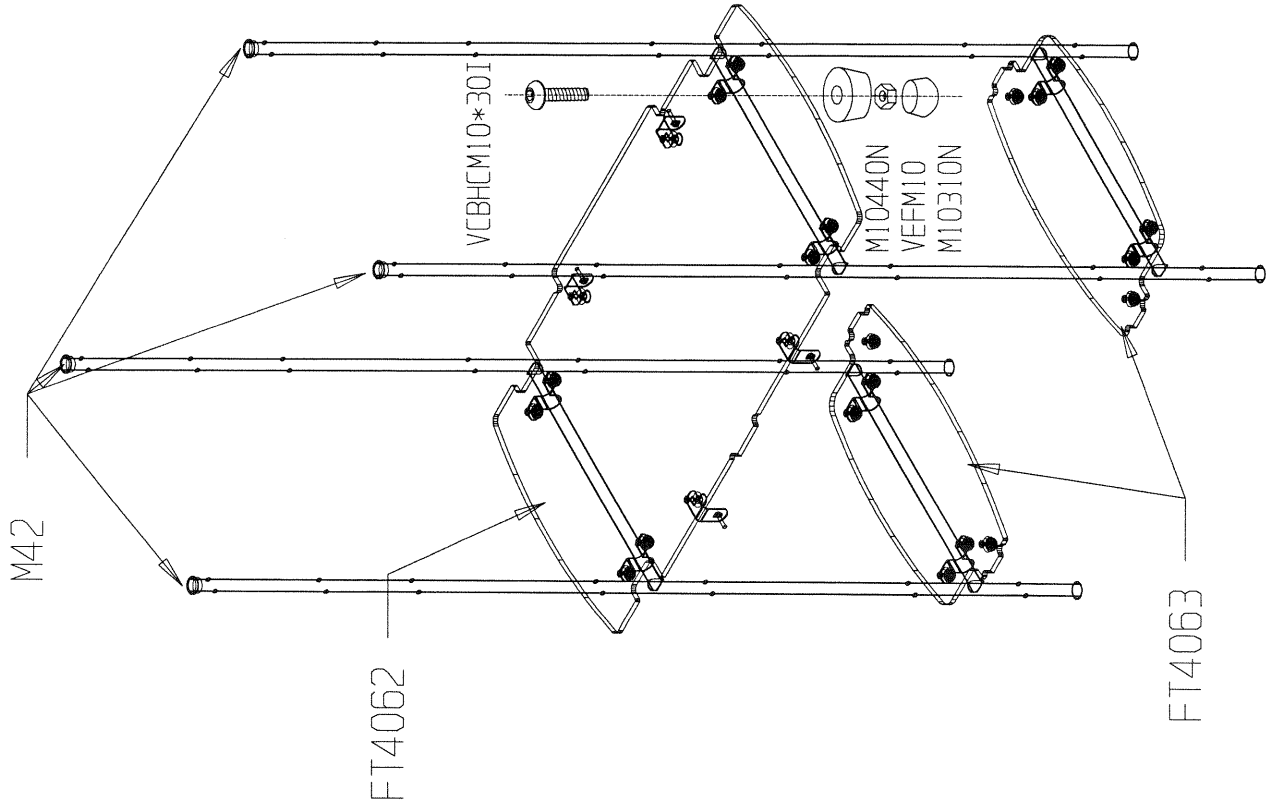


L4015



Réf	Qté
L4015	1
MI2510N	1

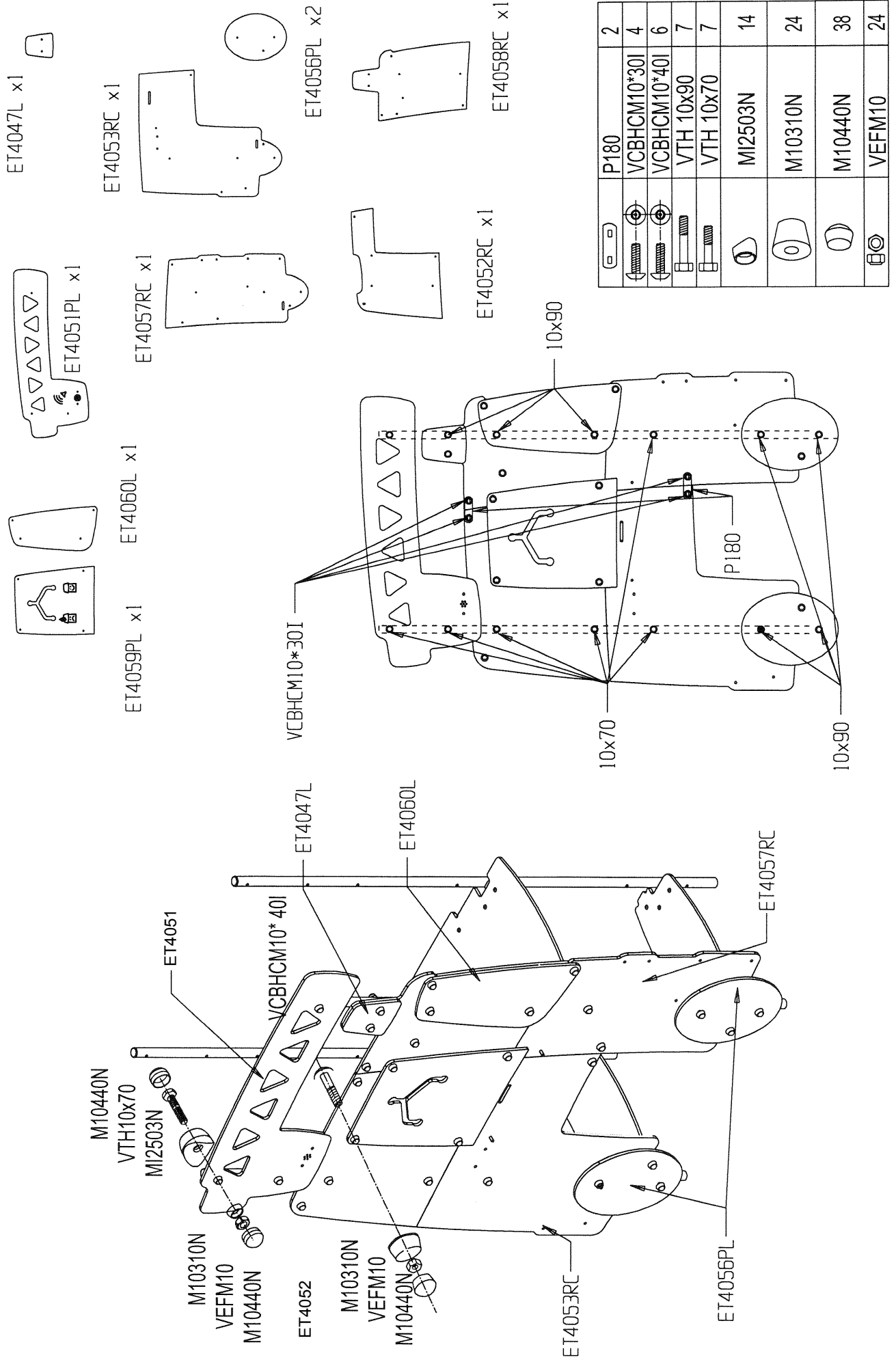




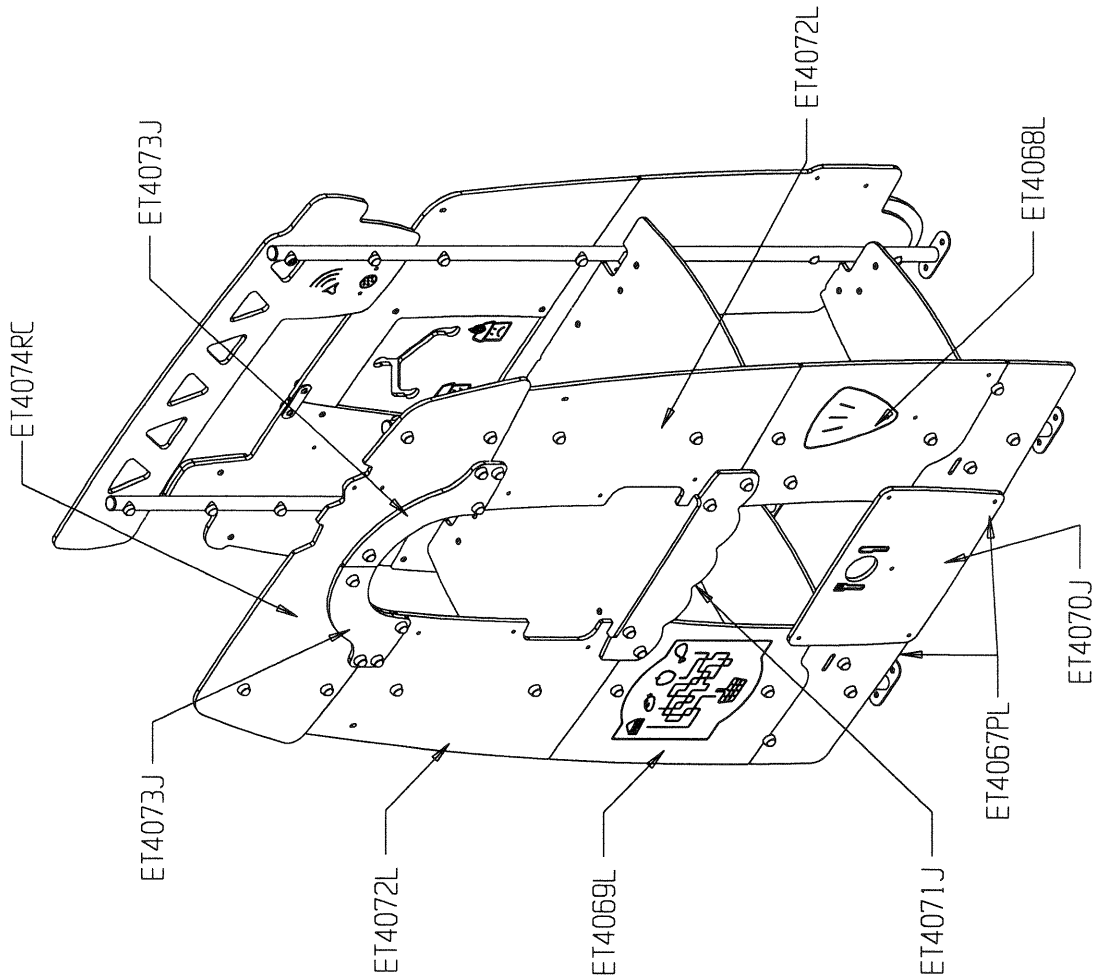
LG4004 x 2



	M42	4
	VEFM10	16
	VCBHC10*30I	16
	M10310N	16
	M10440N	16



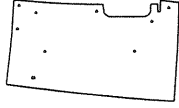
	P180	2
	VCBHCM10*30I	4
	VCBHCM10*40I	6
	VTH 10x90	7
	VTH 10x70	7
	MI2503N	14
	M10310N	24
	M10440N	38
	VEFM10	24



ET4074RC x1



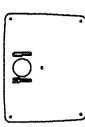
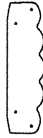
ET4072L x2



ET4073J x2



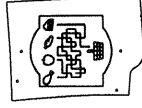
ET4071J x1



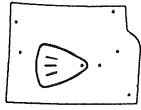
ET4070J x1



ET4067PL x2

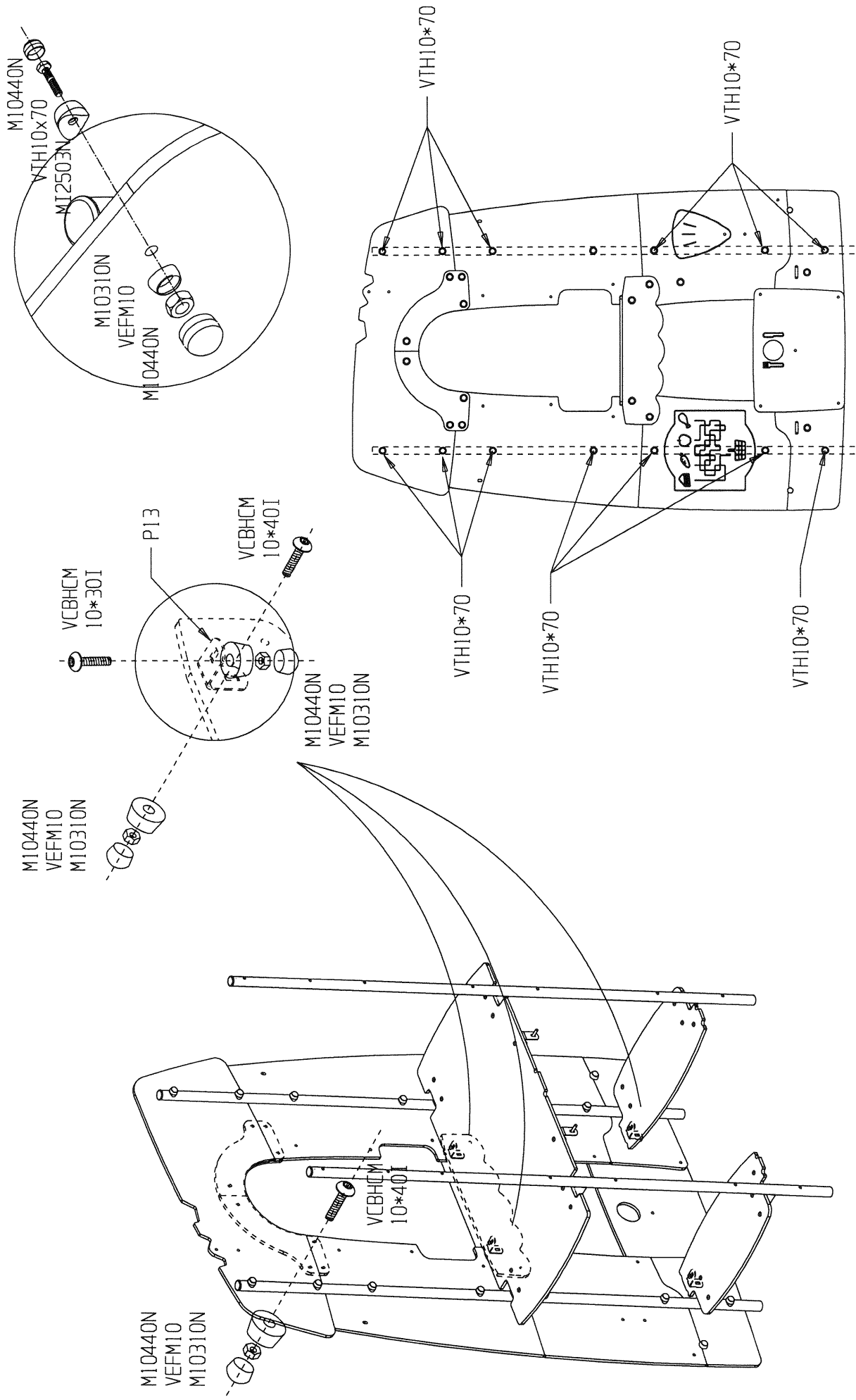


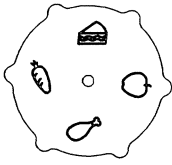
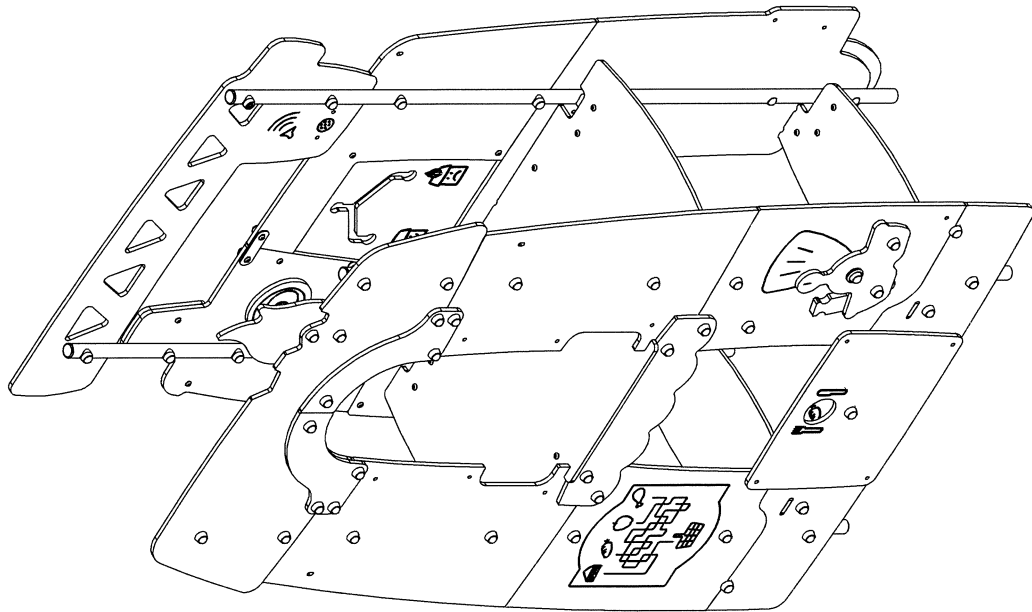
ET4069L x1



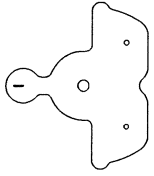
ET4068L x1

	VCBHC10*40I	16
	VCBHC10*30I	6
	70 mm :P13	4
	VTH 10x70	14
	MI2503N	14
	M10310N	34
	M10440N	48
	VEFM10	34





ET4066J x1

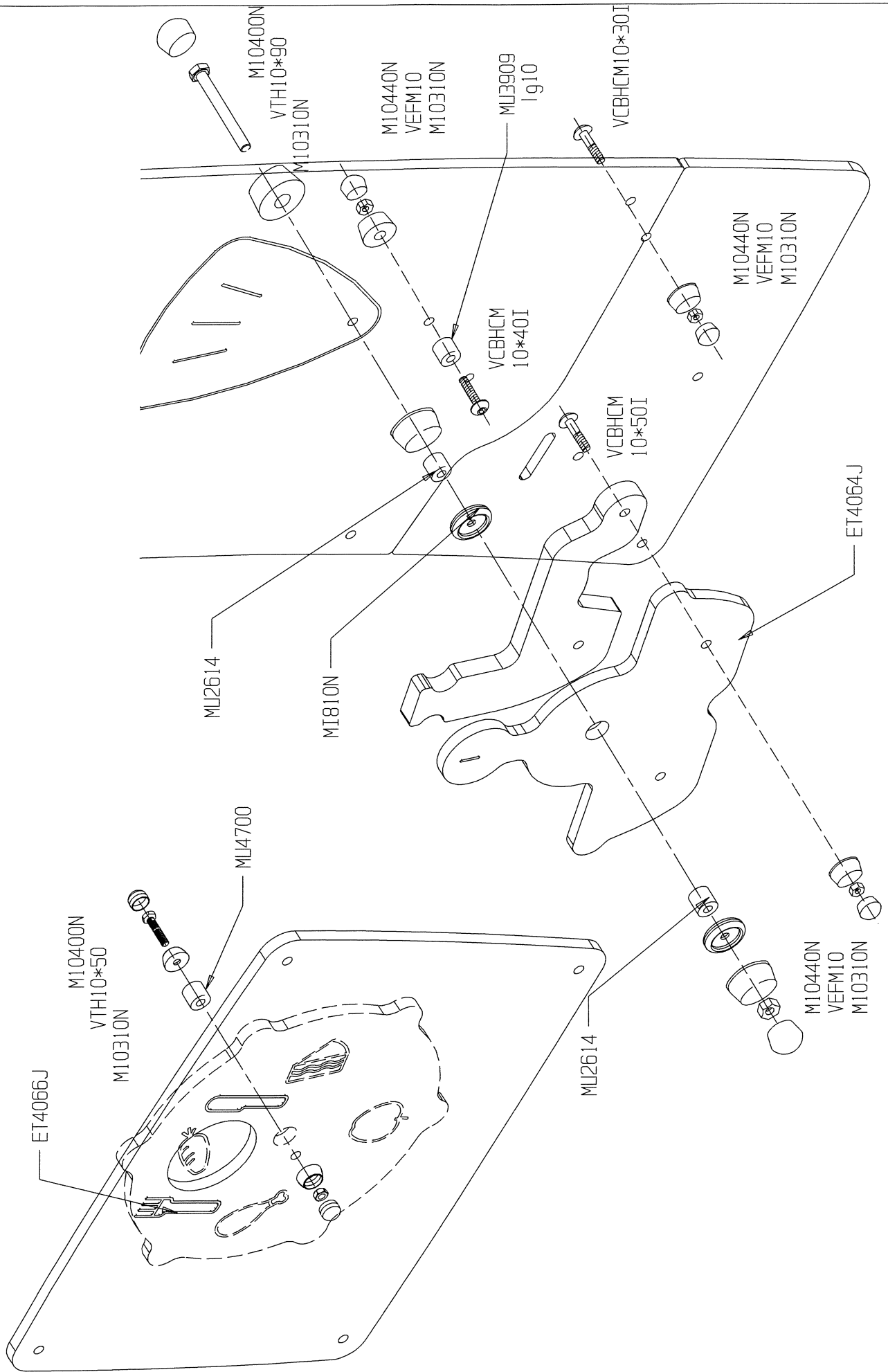


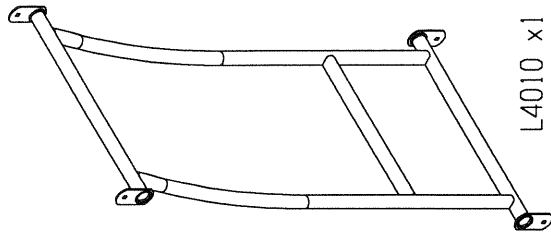
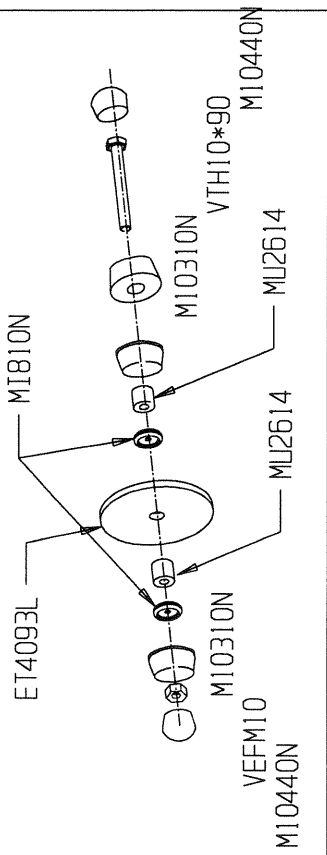
ET4064J x1

EP4065N x1

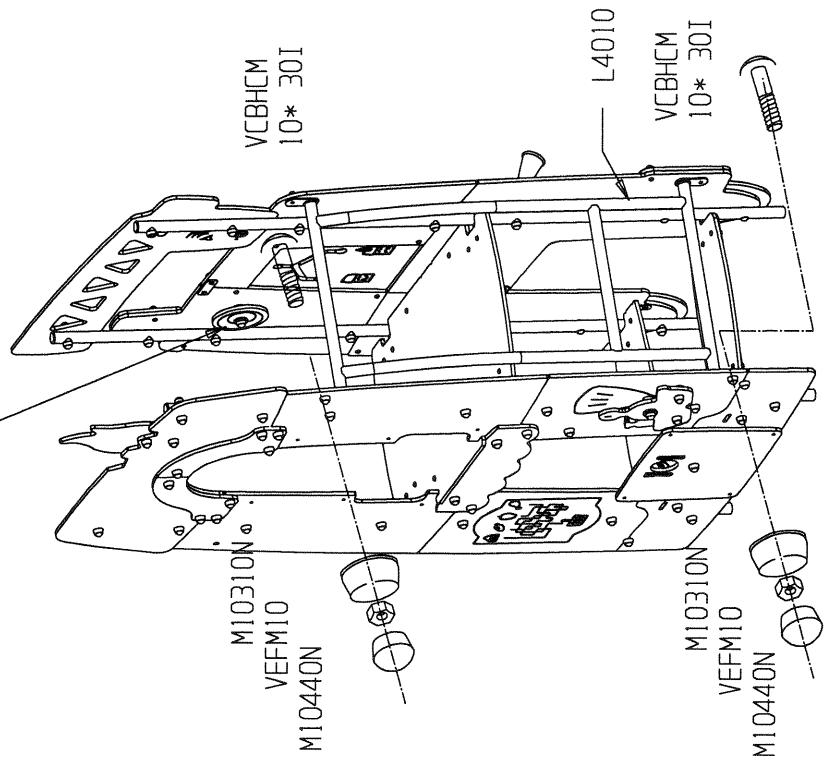


	MLJ3909	Ig10	1
	MLJ2614	Ig24	2
	MLJ4700	Ig15	1
	MI810N		2
	VTH	10x90	1
	VTH	10x50	1
	VEFM10		6
	VCBHC10*30I		1
	M10310N		9
	M10440N		8
	VCBHC10*40I		1
	VCBHC10*50I		2

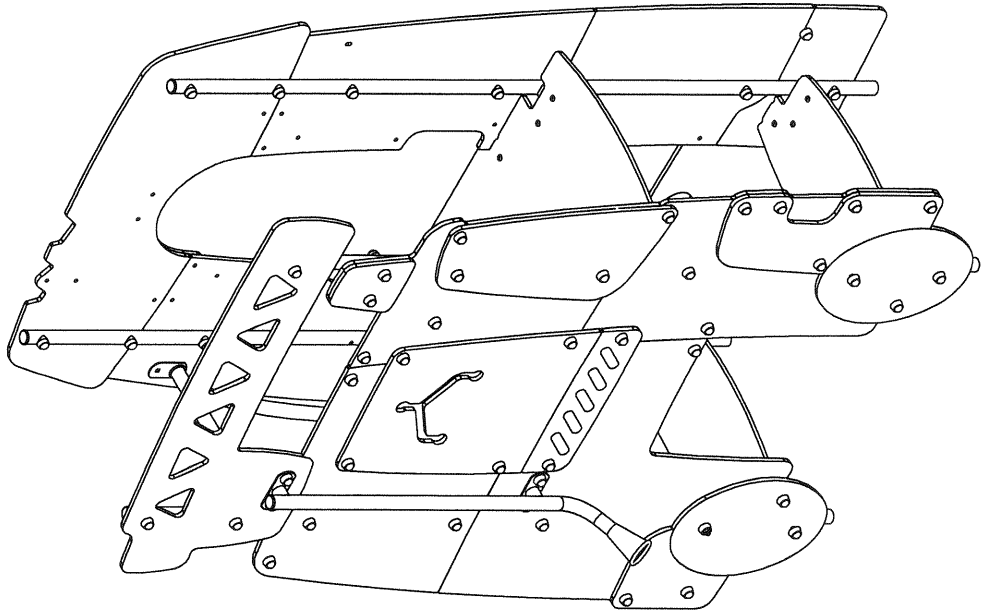


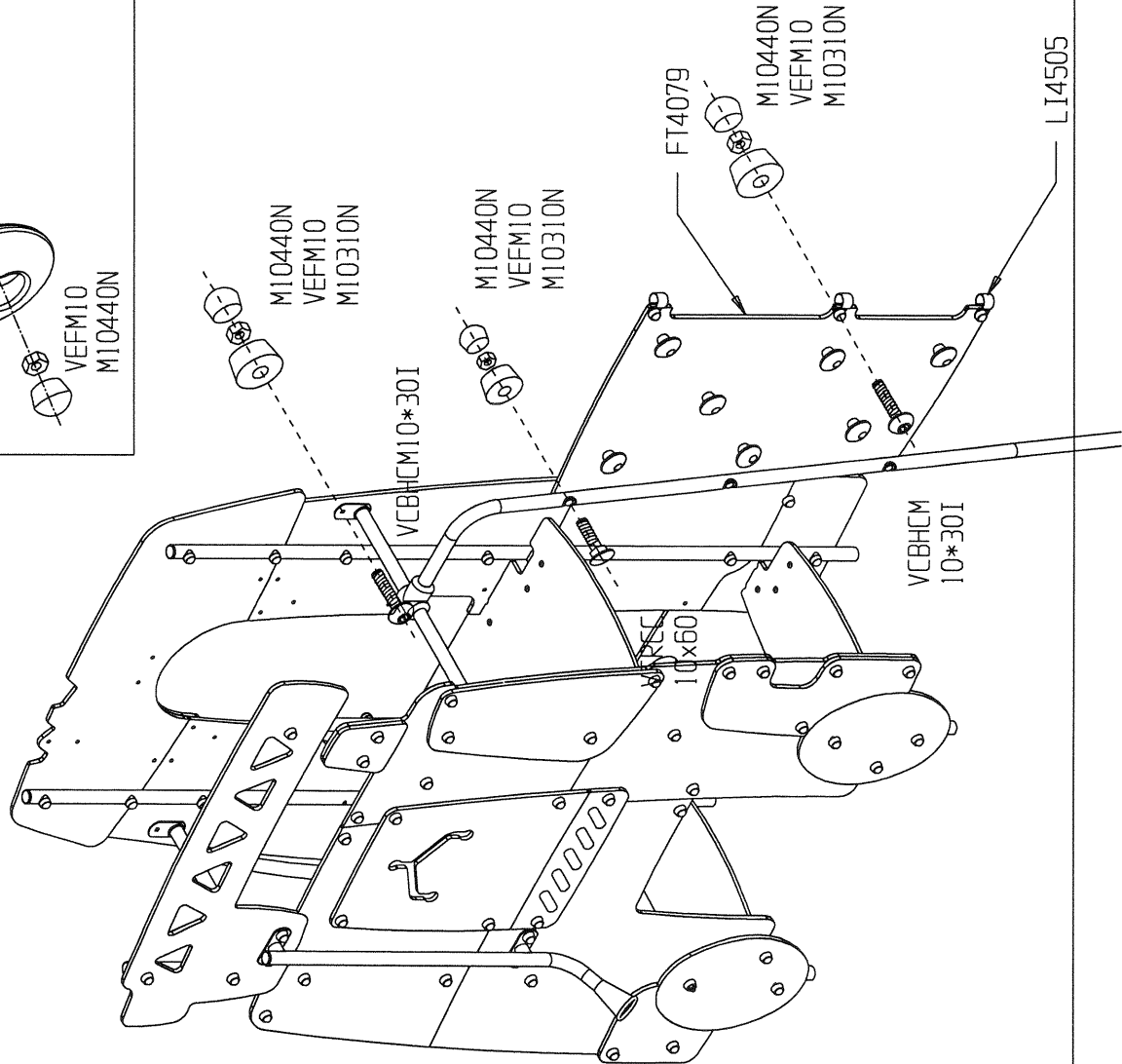
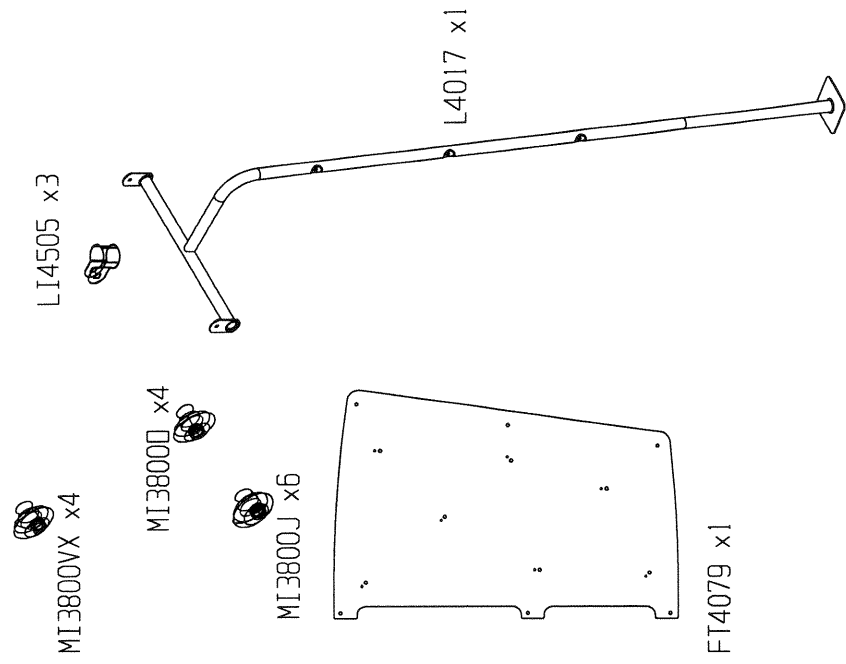
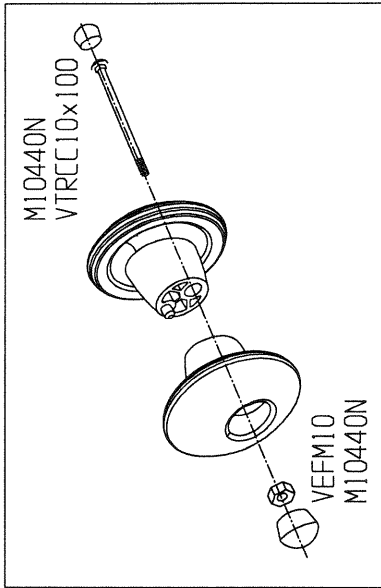


ET4093L x1

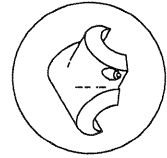


	MU2614	2
	M1810N	2
	VEFM10	5
	M10310N	8
	M10440N	6
	VCBHCM10x30I	4
	VTH 10x90	1





	VEFM10	15
	M10310N	7
	M10440N	22
	VCBHCM10x30I	5
	VCBHCM6x25I	4
	VEBM6	4
	VTRCC10x100	7
	VTRCC10x60	3



MI2502N X 2

