

J38650

Proludic





N°		
1	1 m	6 m ²
2	1.37 m	20.5 m ²
3	2.1 m	9.5 m ²

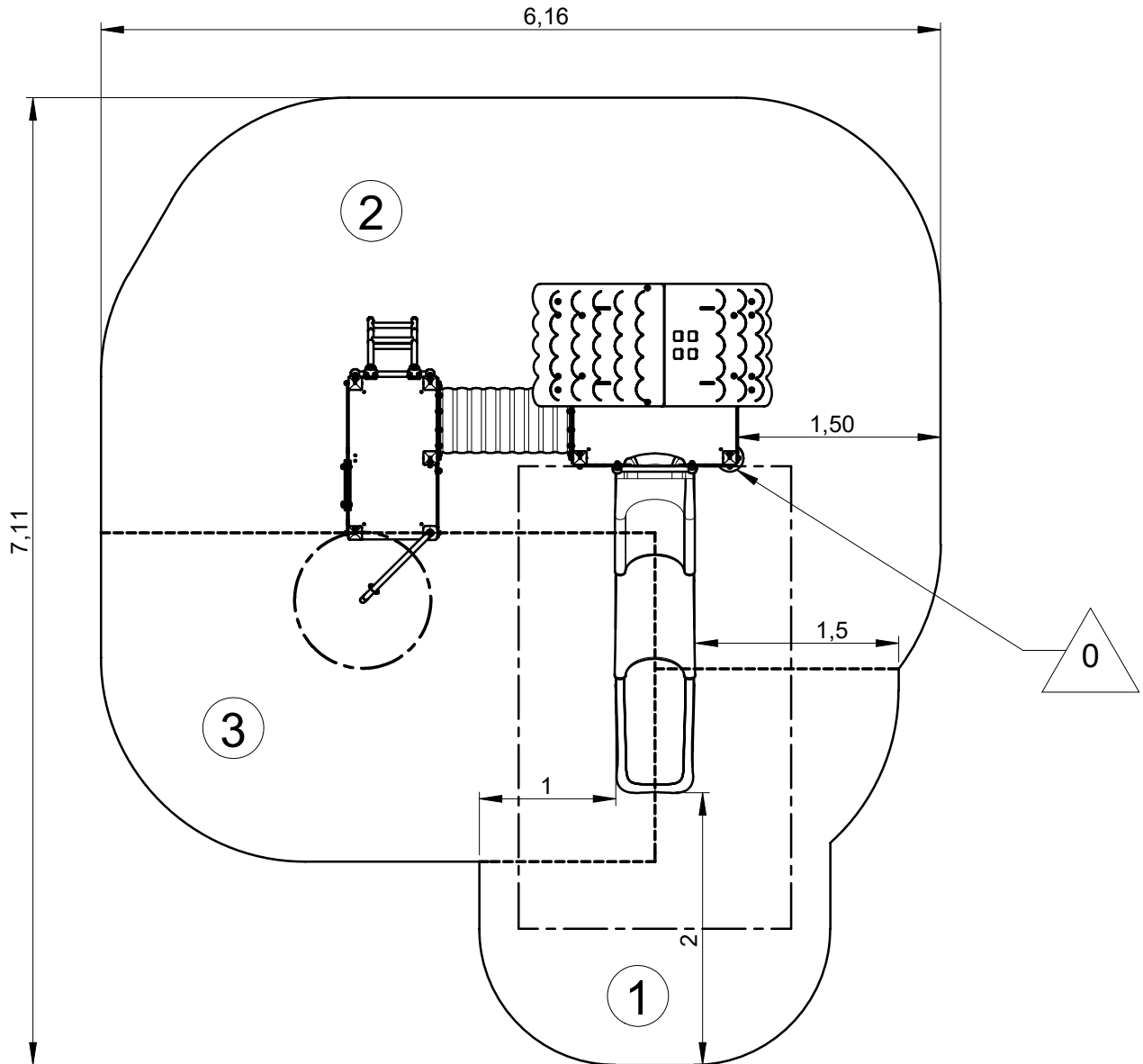
— Zone d'impact
Impact area
Area de impacto
Fallraum
Valzone

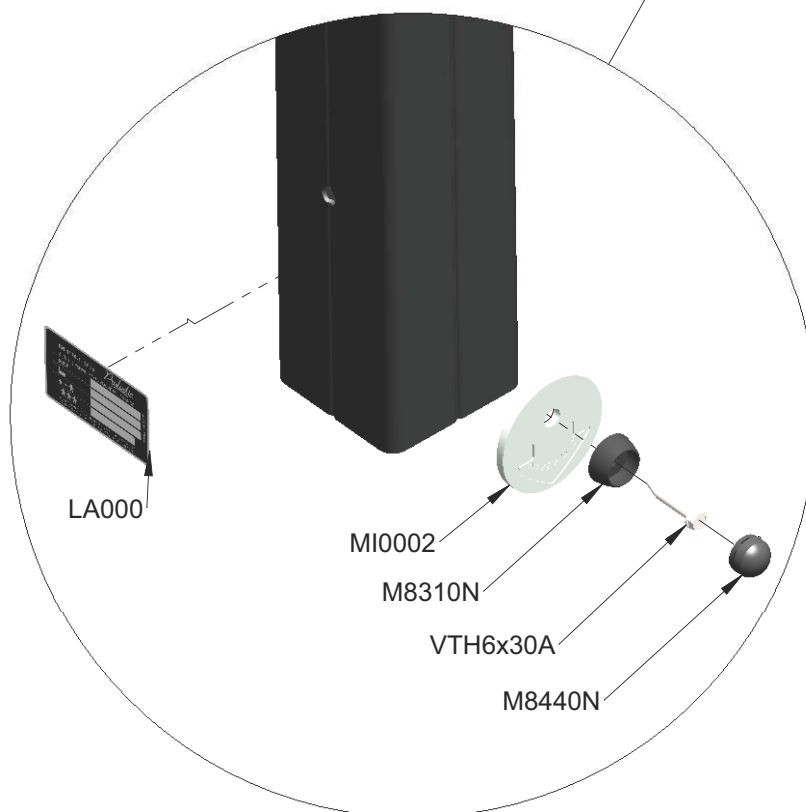
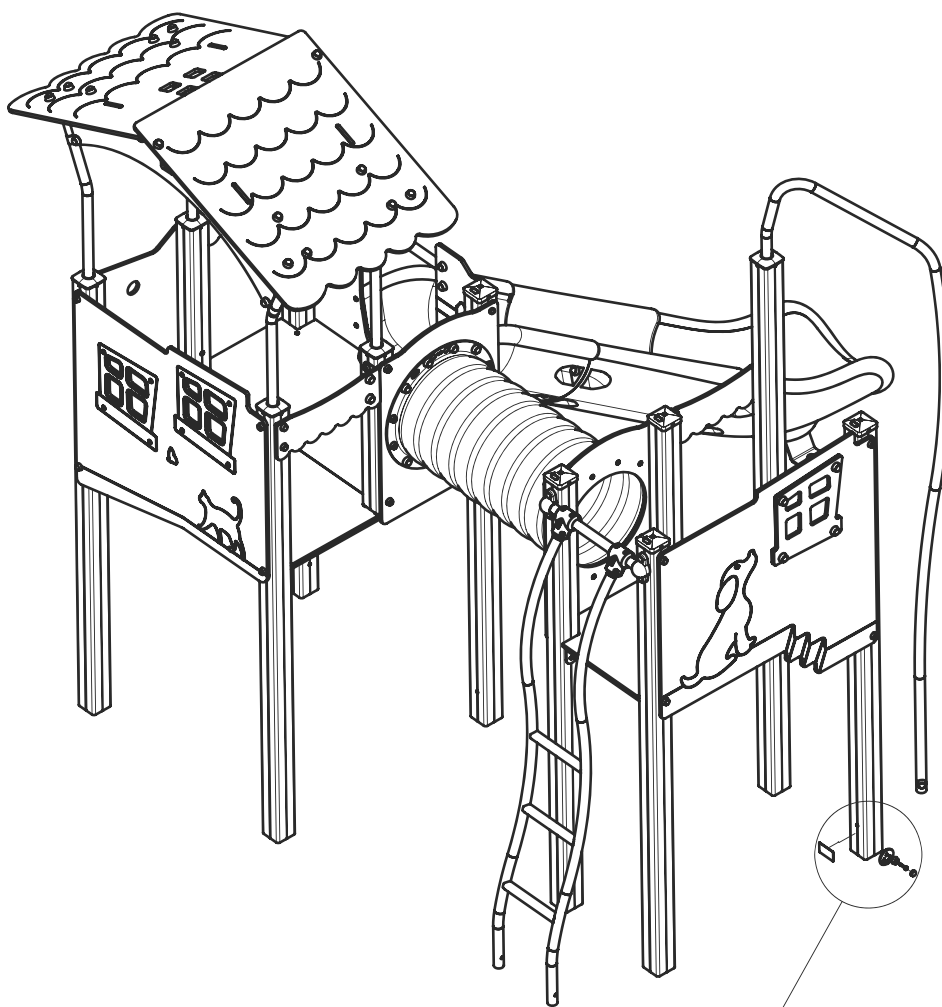


Point de référence
Setting out point
Punto de referencia
Bezugspunkt
Referentiepunt

- - - Espace libre
Free space
Espacio libre
Freiraum
Vrije ruimte

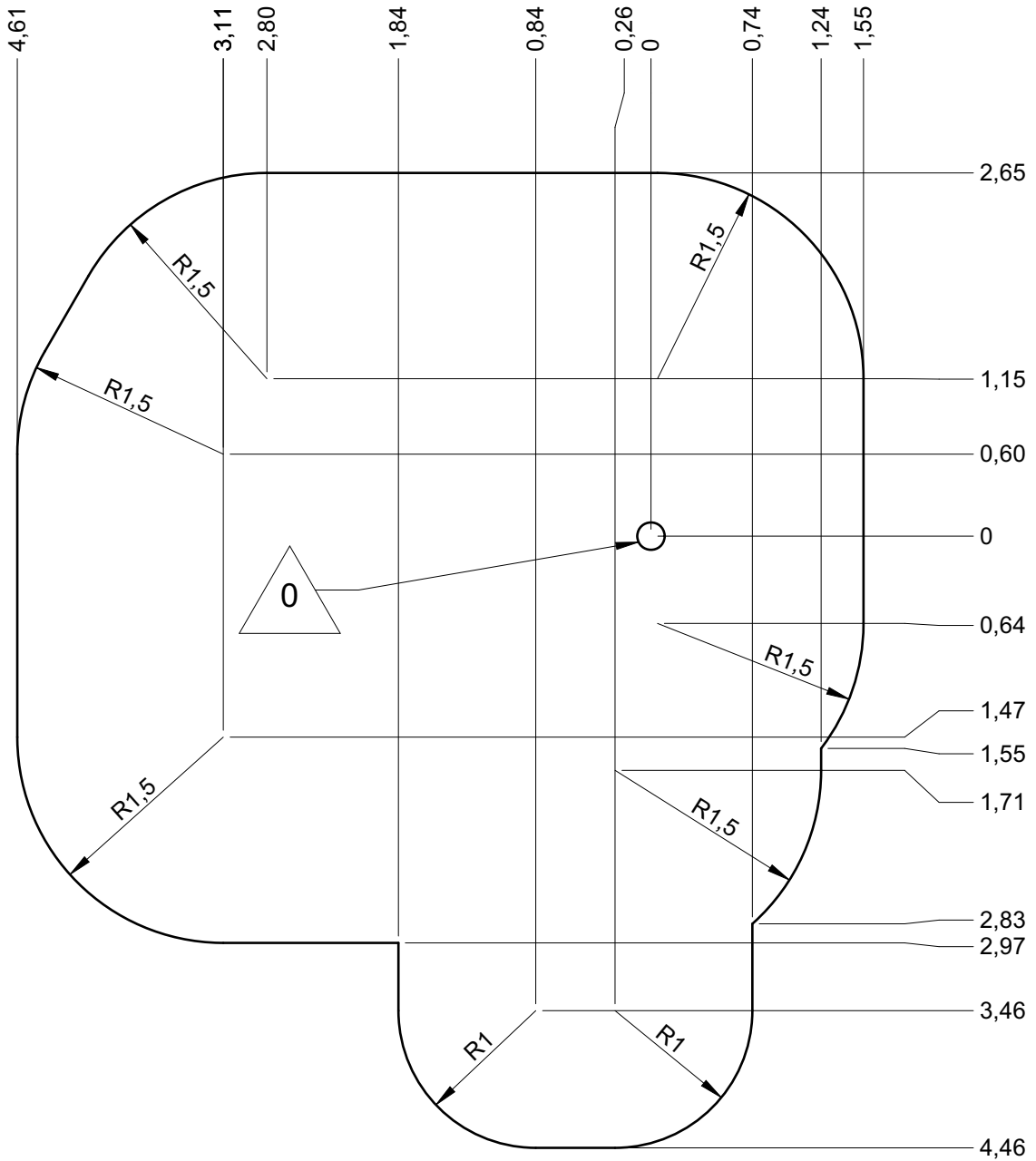
EN1176-1:2017
EN1176-3:2017





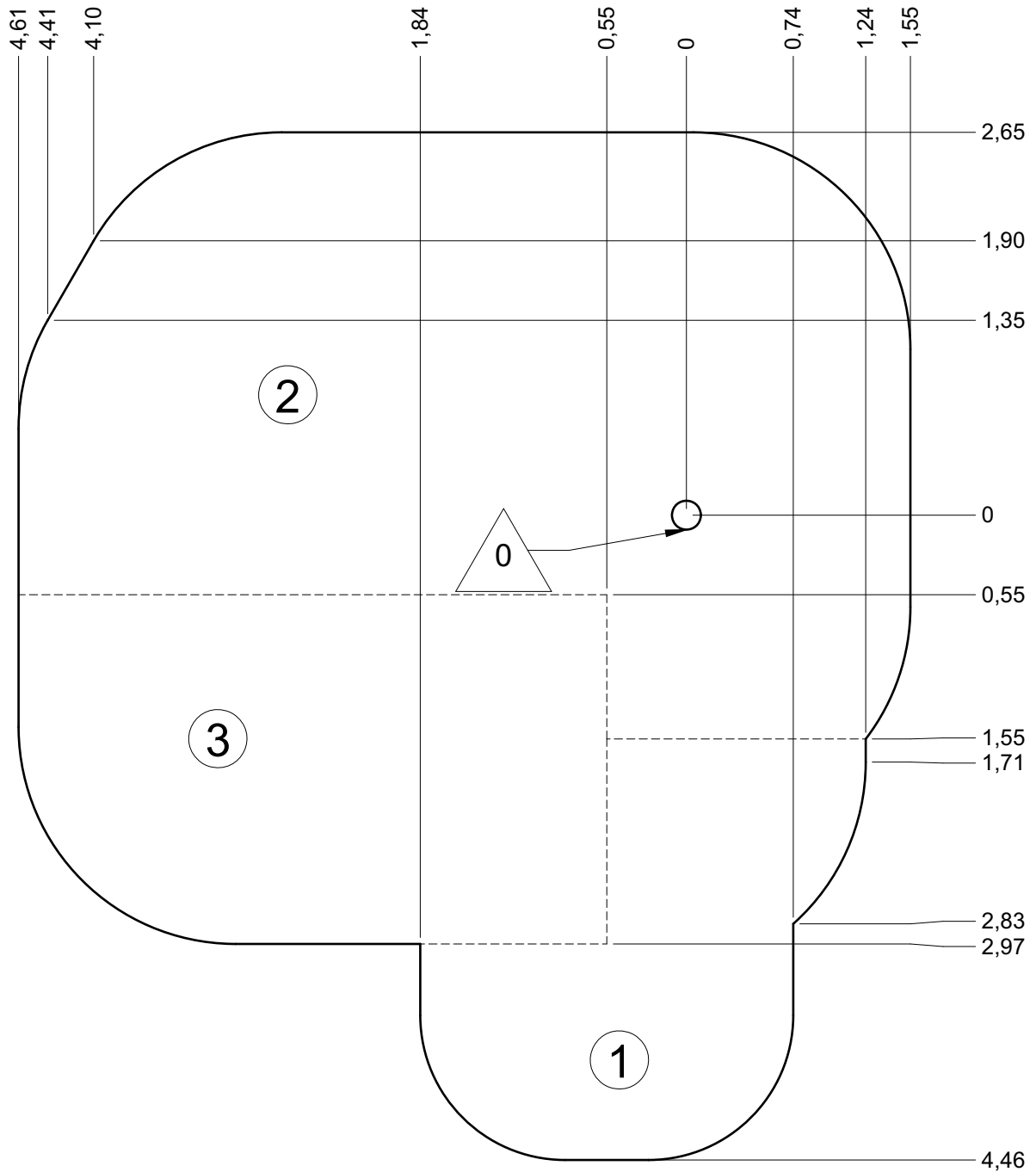
— Zone d'impact
 Impact area
 Area de impacto
 Fallraum
 Valzone

35.5 m²



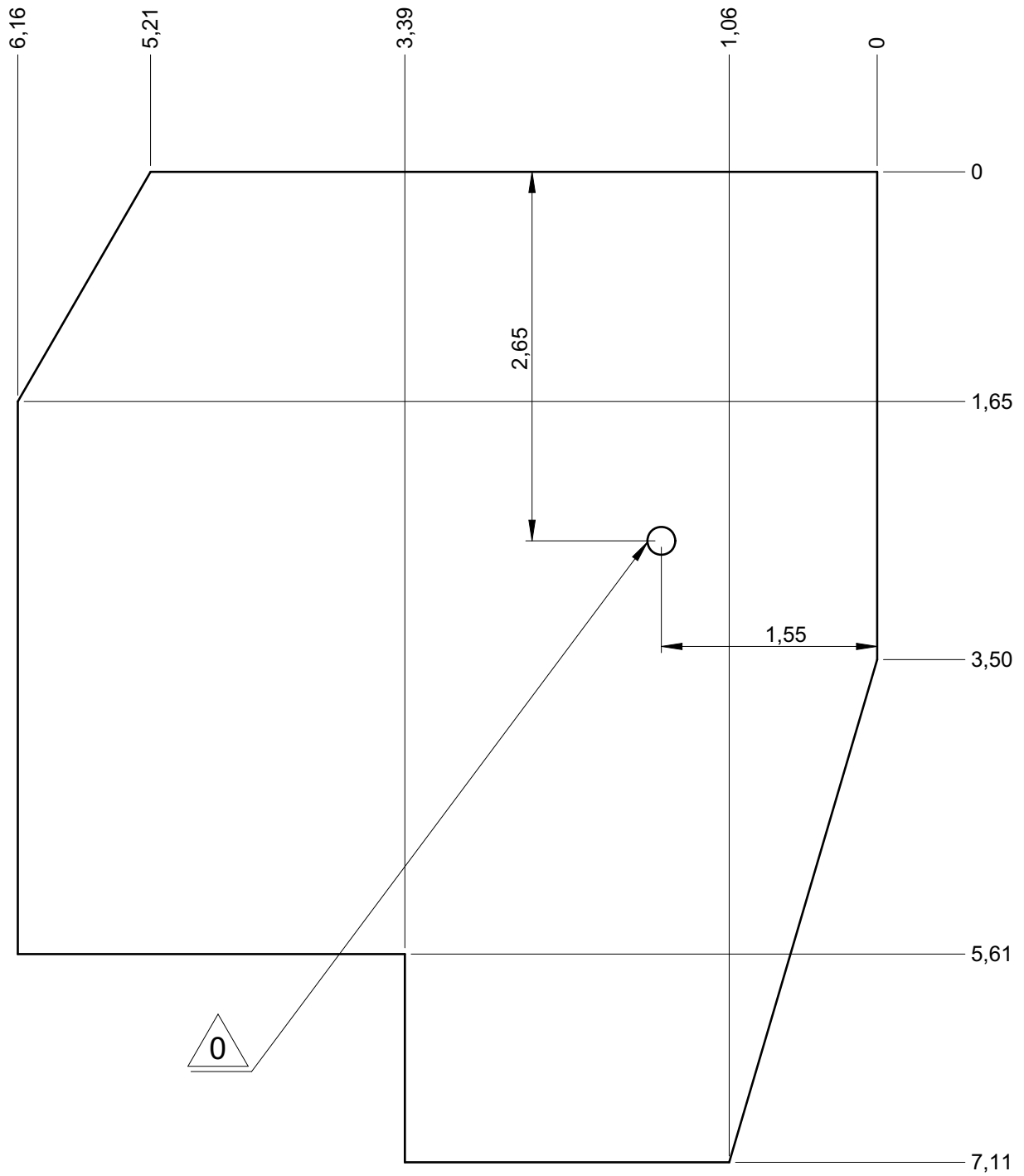
— Sol souple
 — Wetpour
 — Caucho continuo
 — Synthetischer fallschutz
 — Gietvloer

35.5 m²

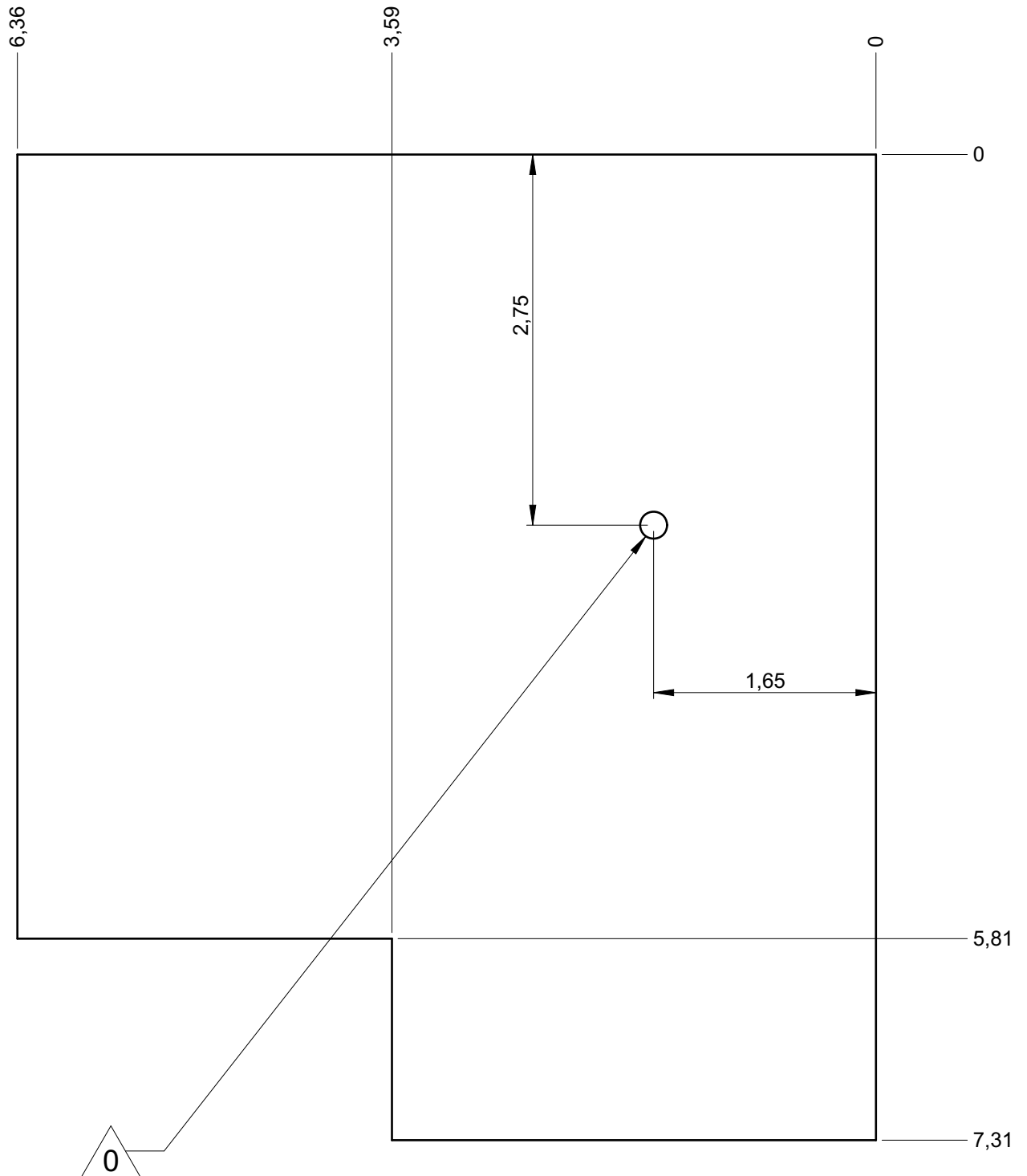


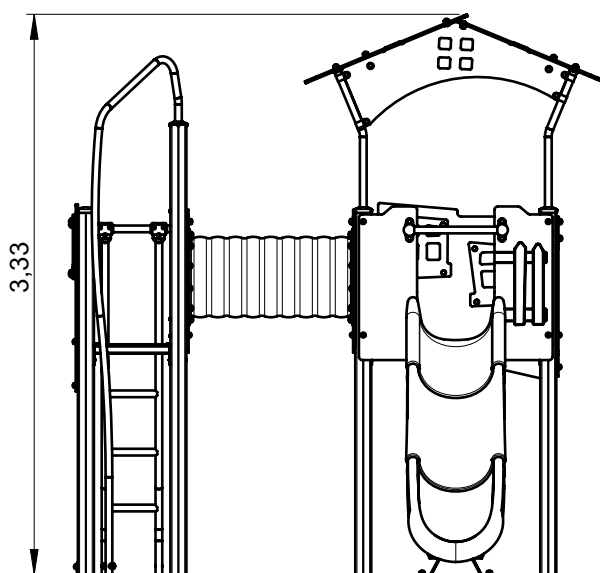
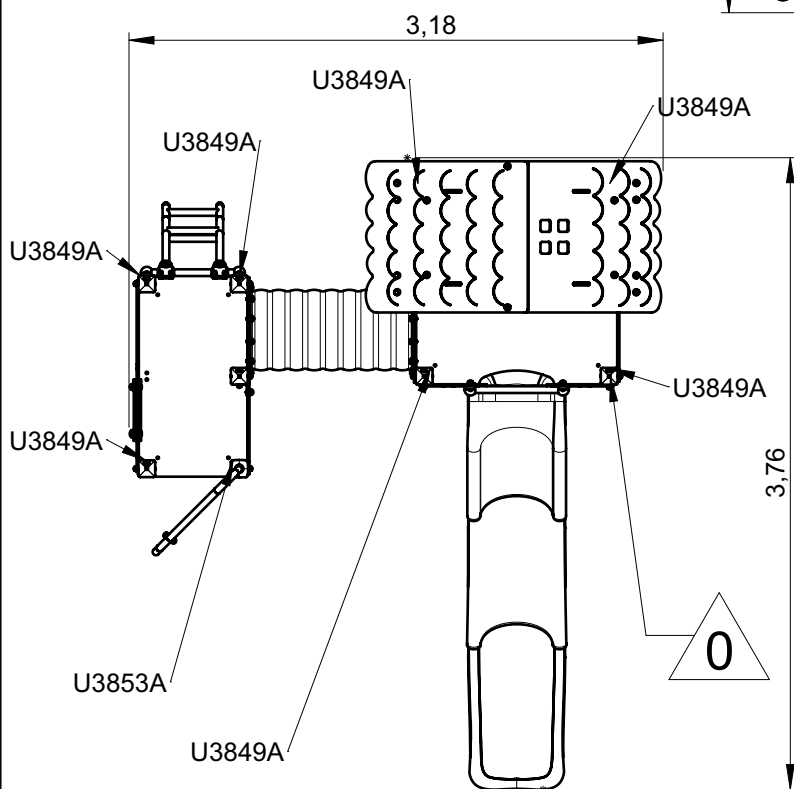
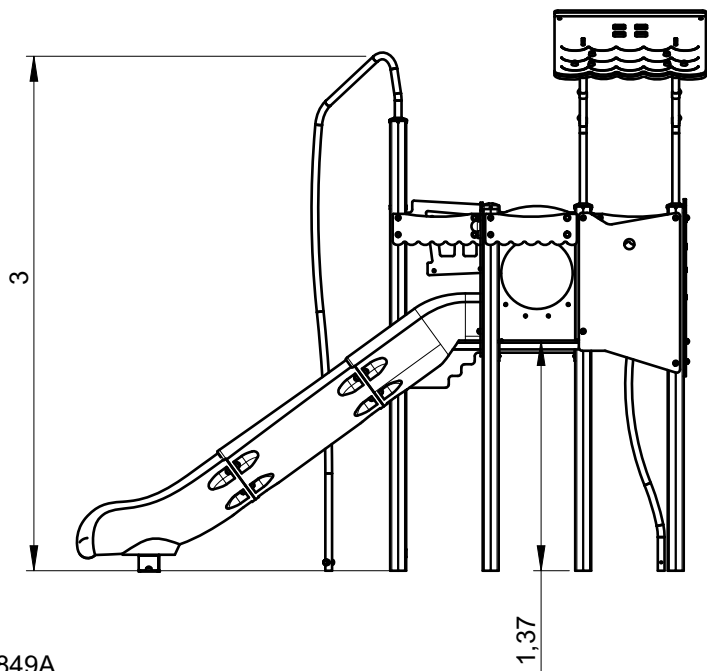
— Dalle béton
 Concrete pad
 Solera de hormigon
 Beton bodenplatte
 Betonnen bodemplaat

25.5 m
 37.5 m²

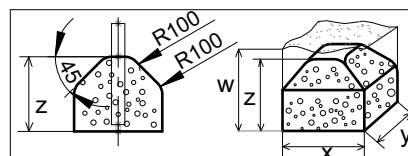
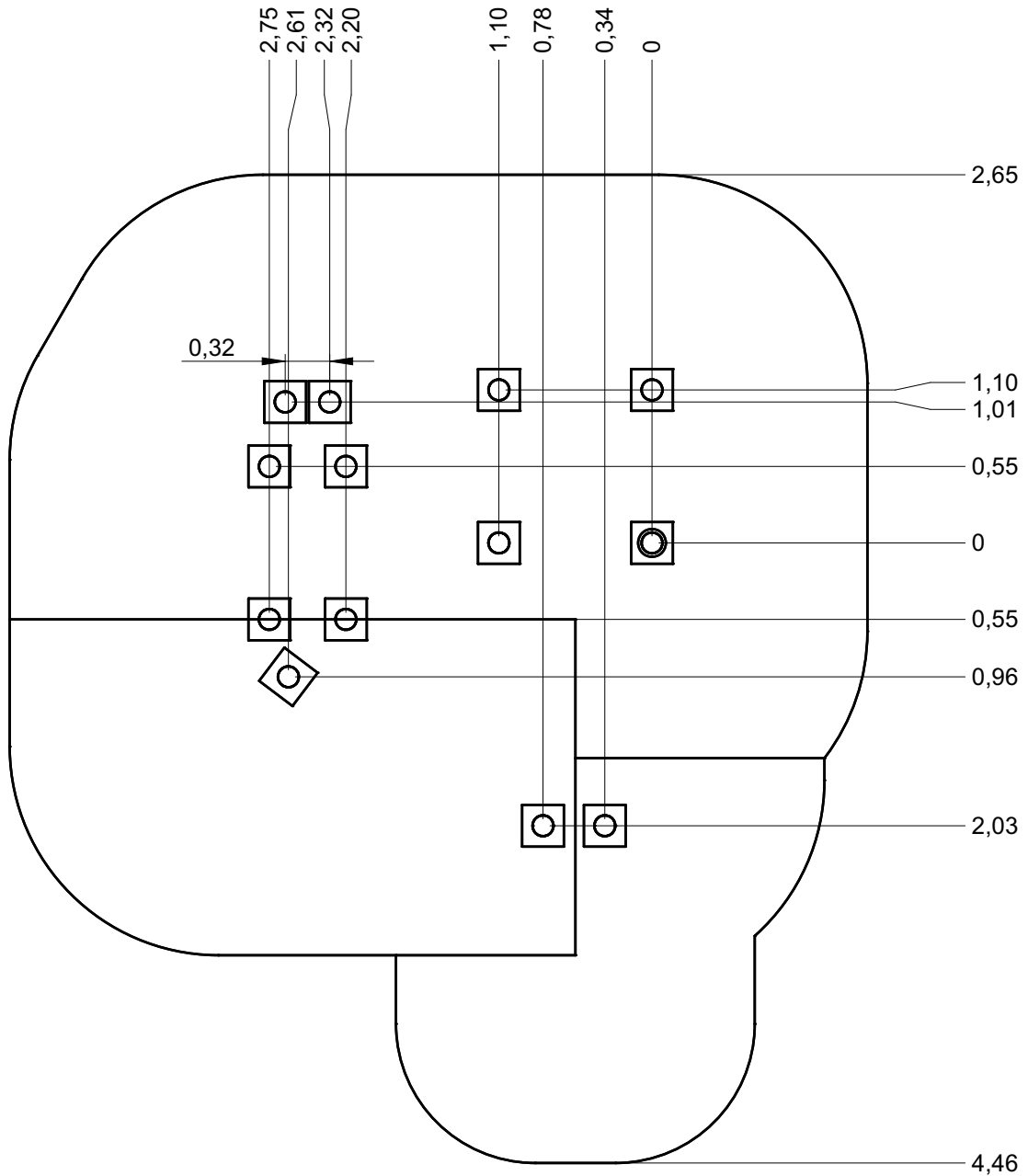


— Sol fluent
Loos partucule material 28.5 m
Arenero
Loses Bodenmaterial 42.5 m²
Los bodemateriaal





Implantation
 Footing plan
 Implantación
 Fundomentplan
 Funderingstekening



	x	y	z	w
	0.3	0.3	0.3	0.6
	0.4	0.4	0.3	0.6
	0.6	0.3	0.3	0.6



x2

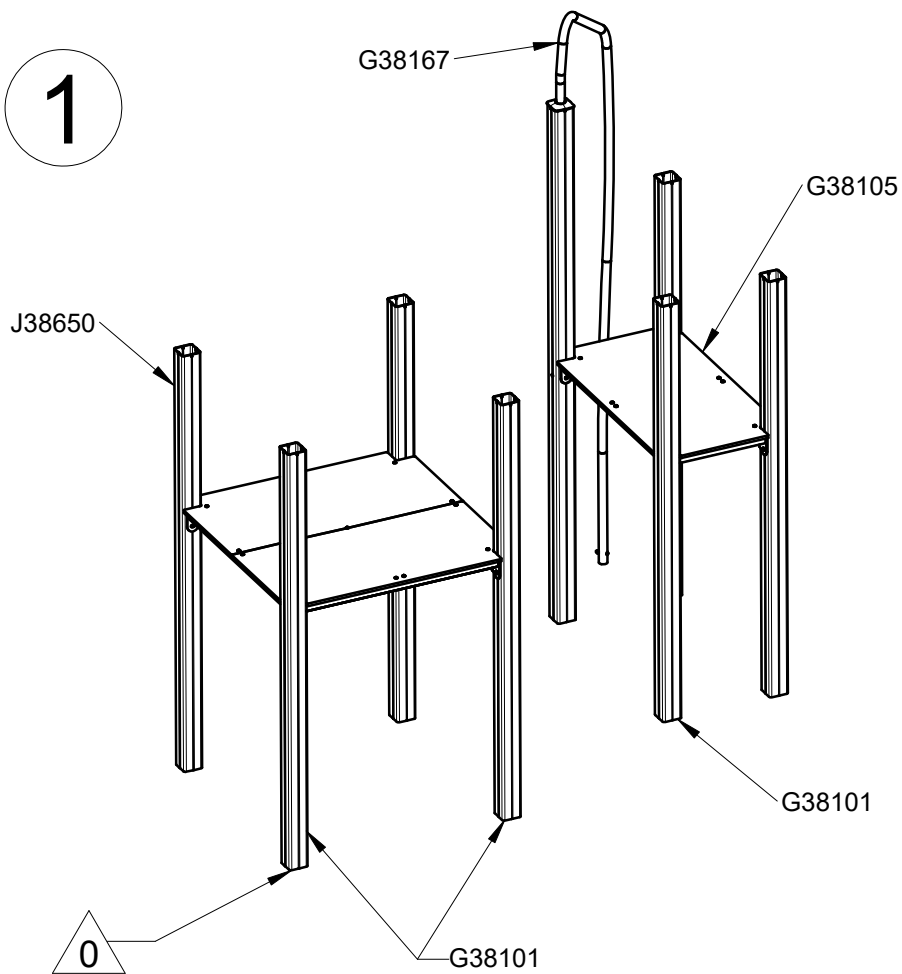


12H

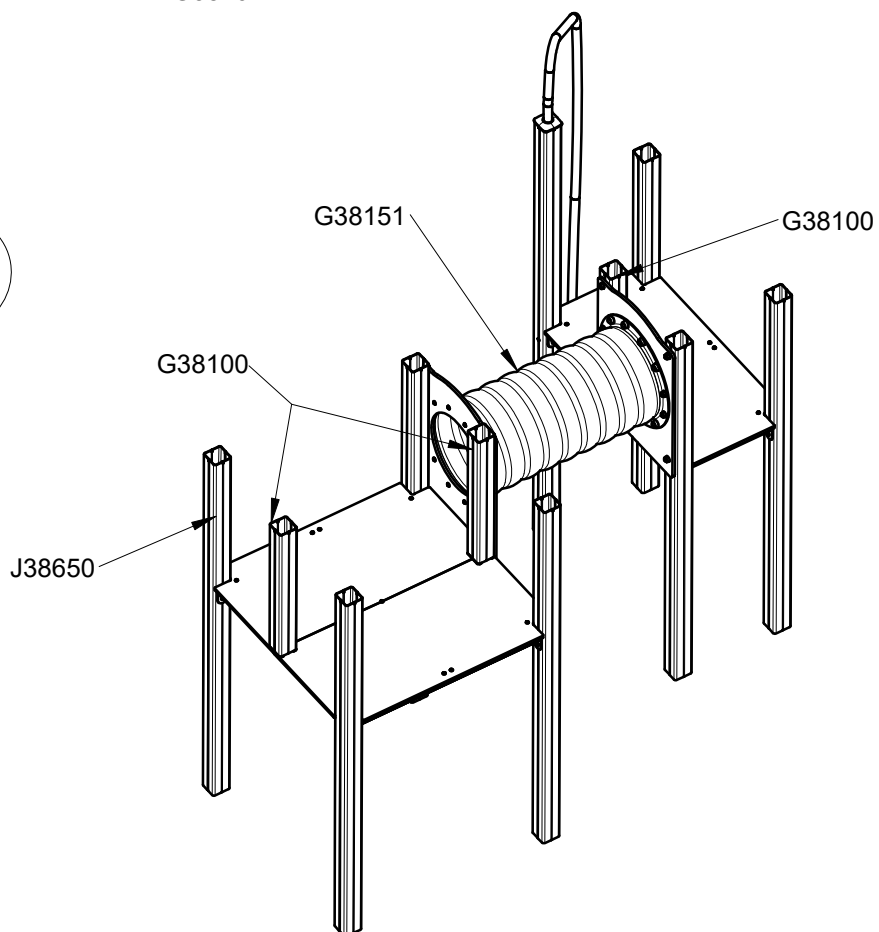


0.35 m³

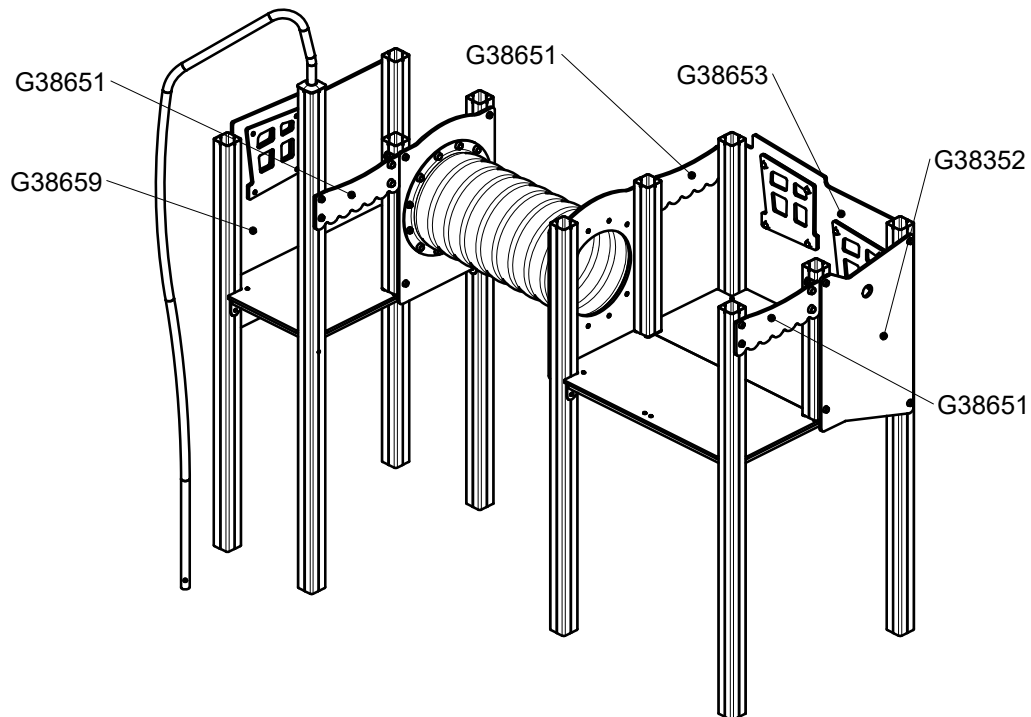
1



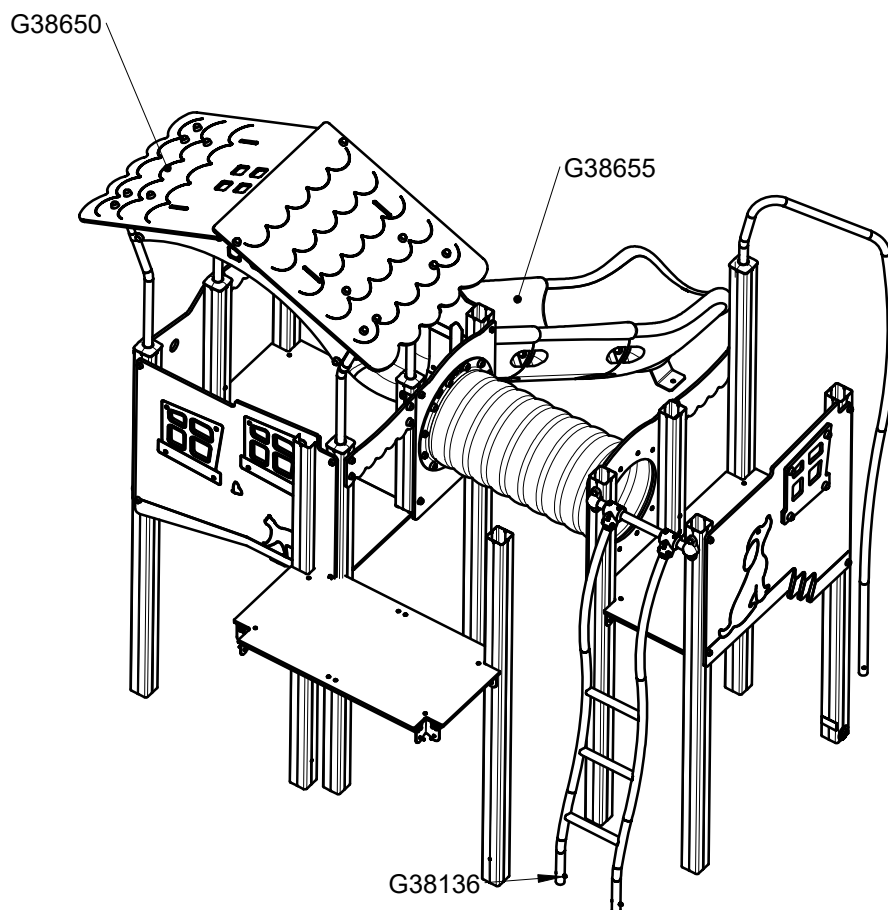
2

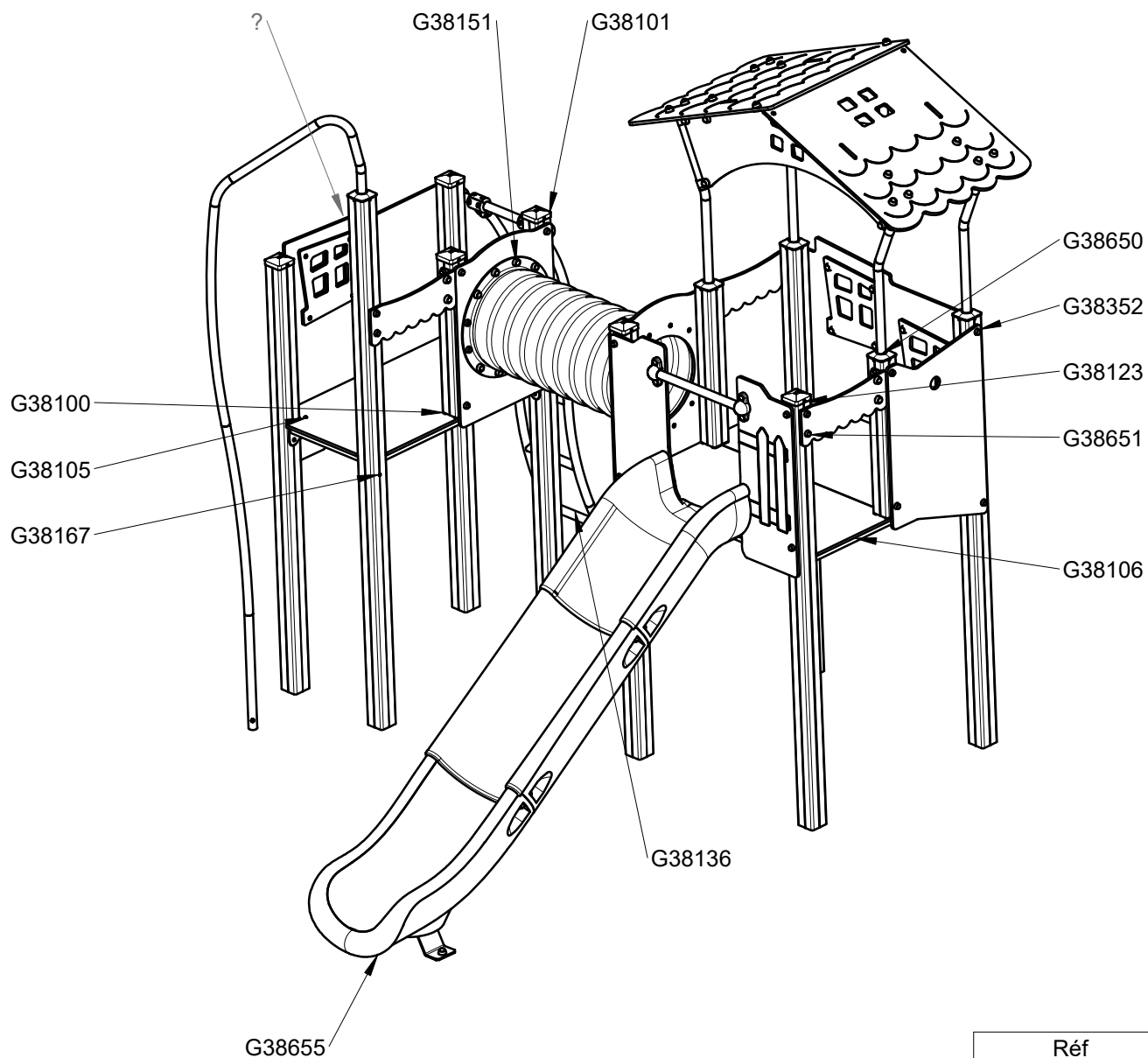


3

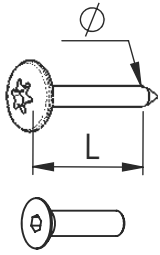


4



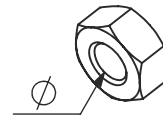


Réf	Qté
G38100	3
G38101	3
G38105	1
G38106	1
G38123	6
G38136	1
G38151	1
G38167	1
G38352	1
G38650	1
G38651	3
G38653	1
G38655	1
G38659	1

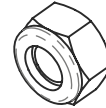


VBT 6 x 30
 \varnothing \uparrow L (mm)

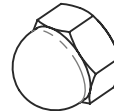
VFHC



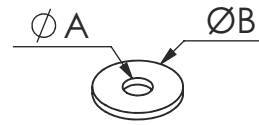
VEC M10
 \varnothing



VEF



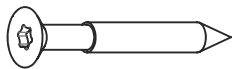
VEB



VR6x18
 $\varnothing A$ $\varnothing B$

1000 - 1800 tr/min
 Vitesse de rotation
 Rotation speed

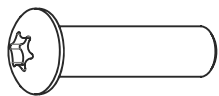
14 N.m
 Couple de rupture
 Torque of break



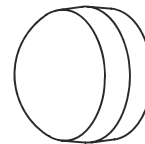
VWT



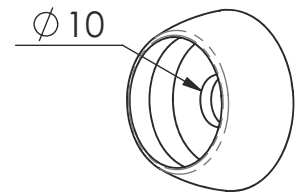
VGC



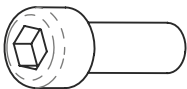
VCBHC



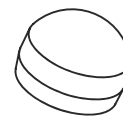
M10 440N



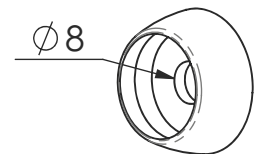
M10 310 N



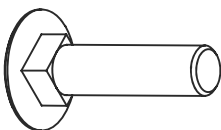
VBTR



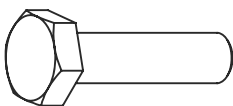
M8440N



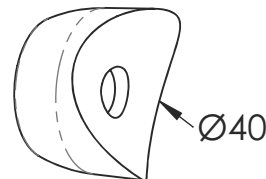
M8310N



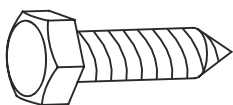
VTRCC



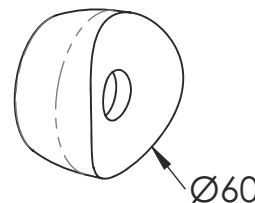
VTH



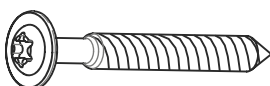
MI2503



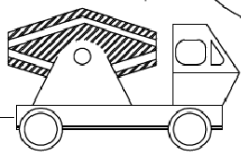
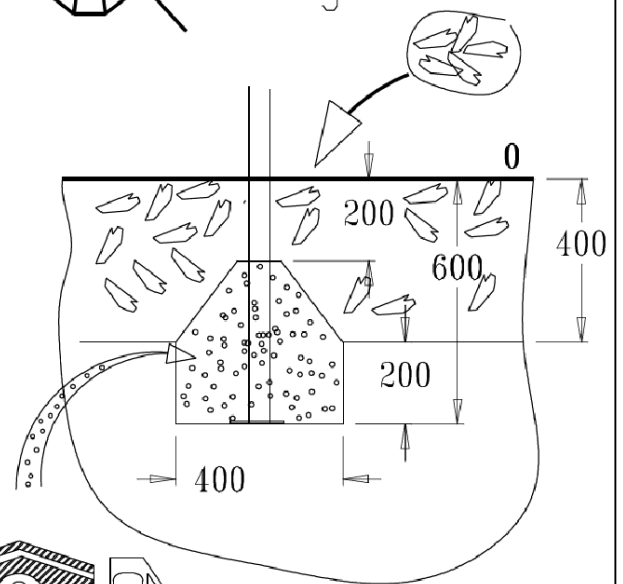
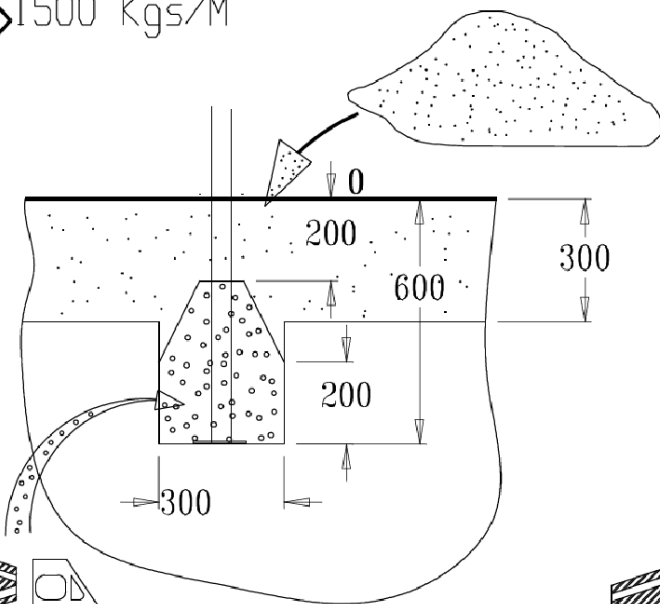
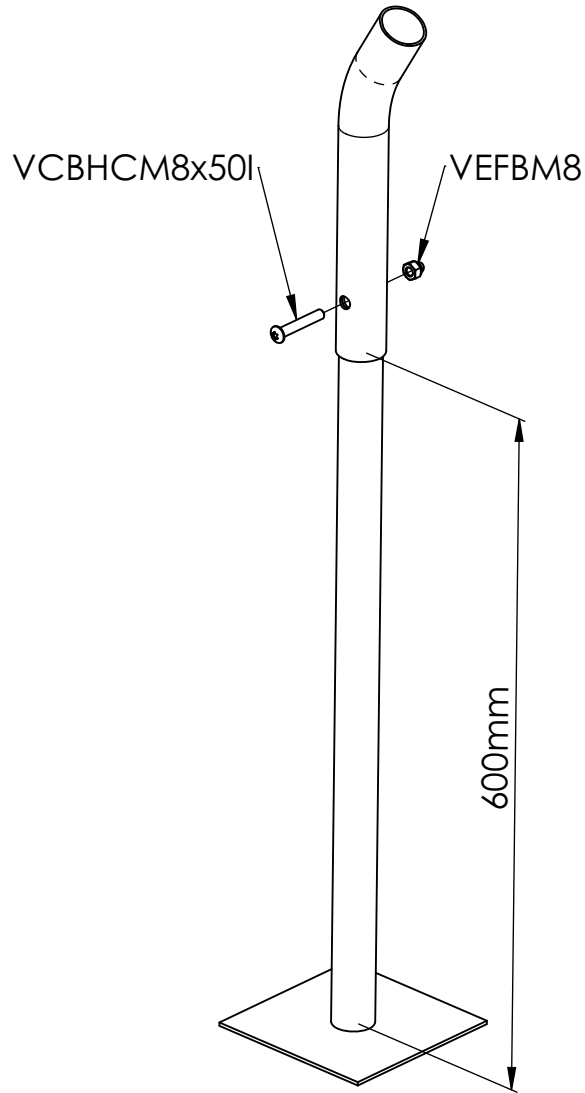
VTF



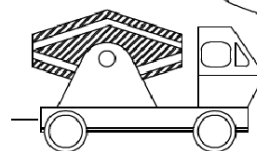
MI2701



VBT

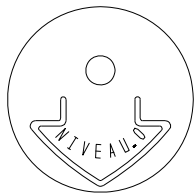


50 Kgs



90 Kgs

A



MI0002

VCBHCM10

M10310N
VEFM10
M10440N

LG08

M10440N
VEFM10
MI2503

LG3802

M10440N
VTH10*80
MI2503

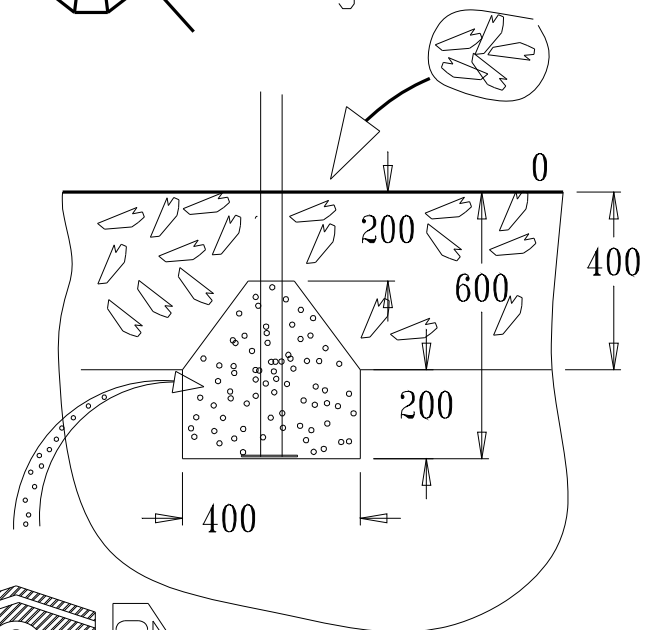
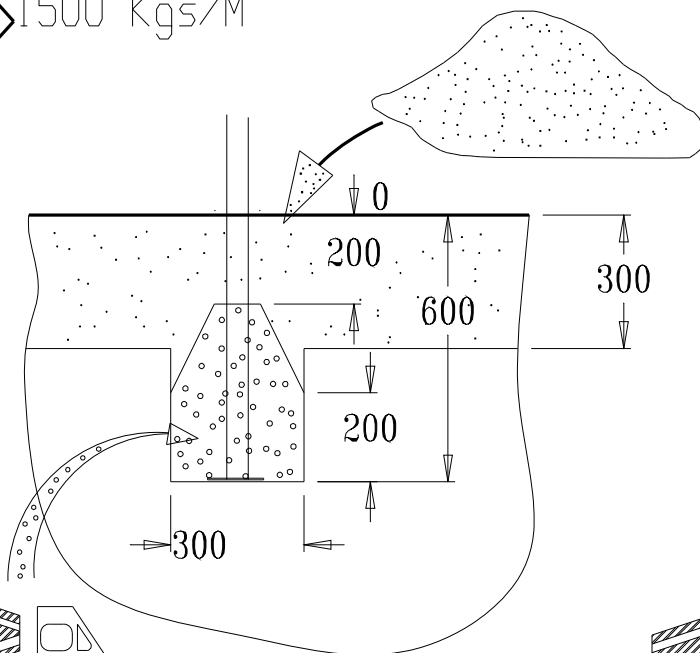
LG3804

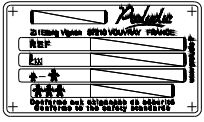


> 1500 Kgs/M³

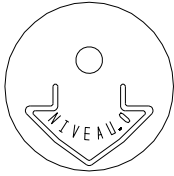


< 1500 Kgs/M³

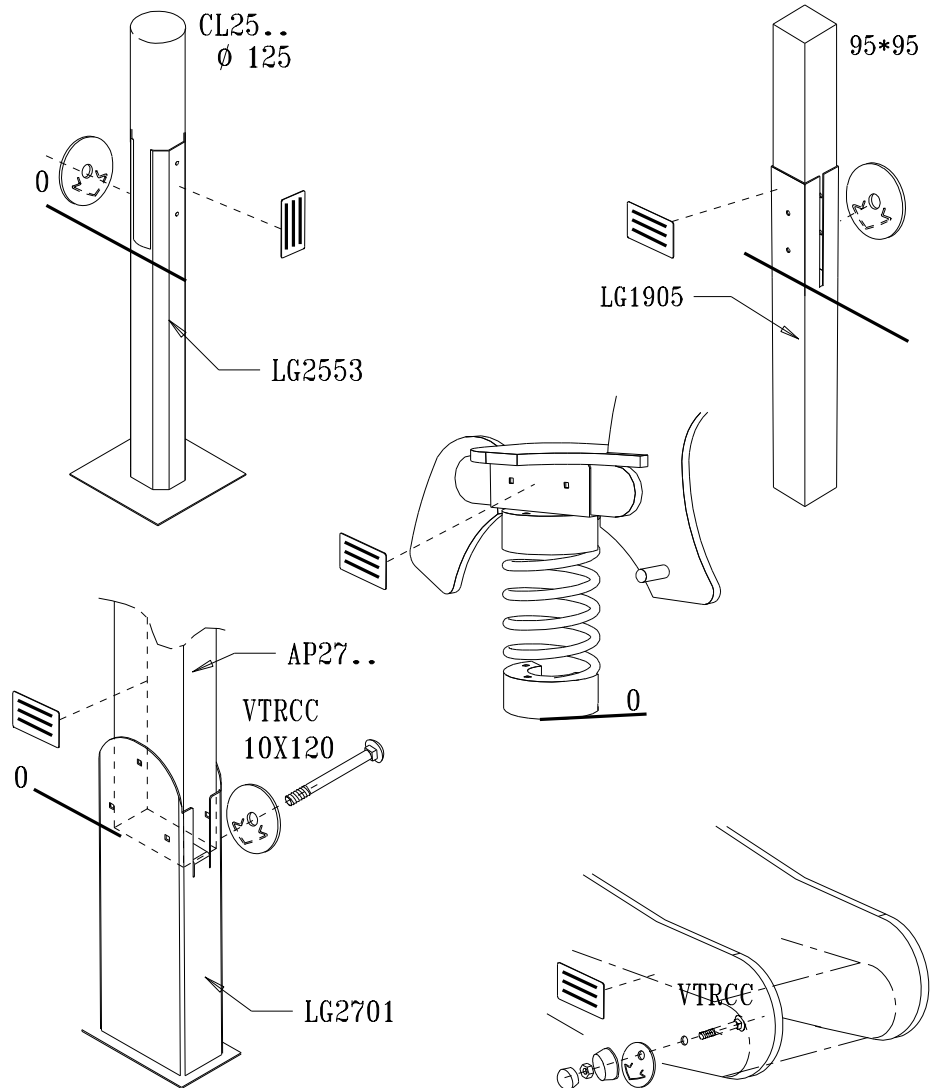
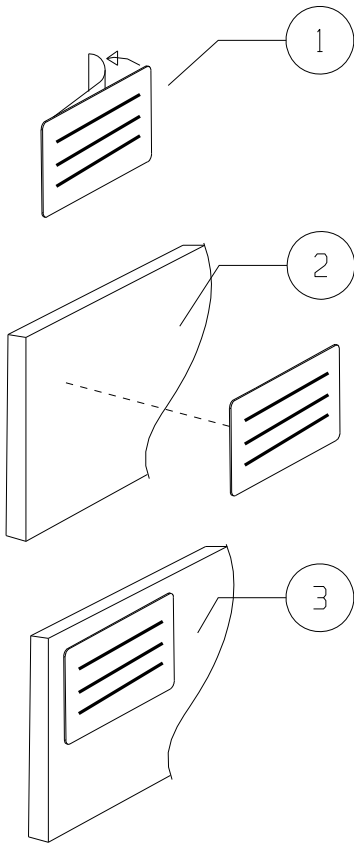
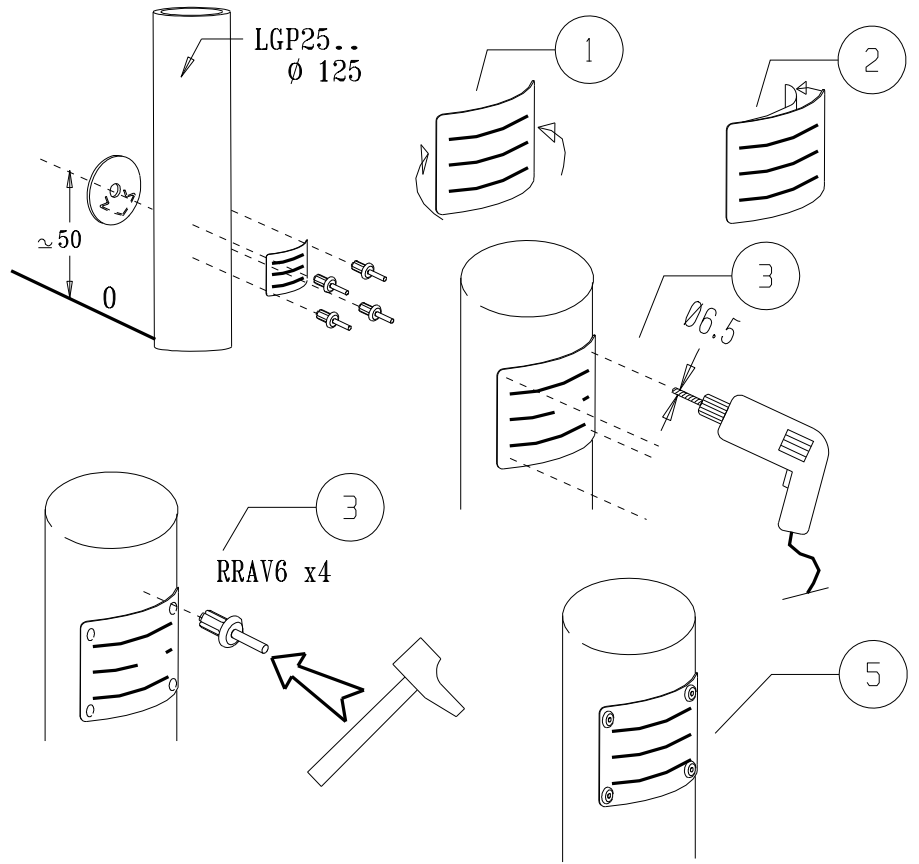


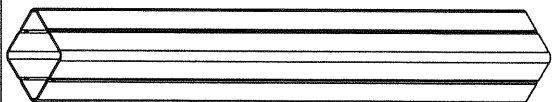


LA000



MI0002





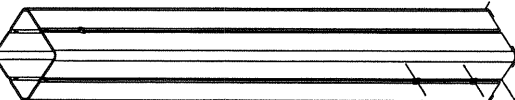
1



VCBHC8*30I
X2

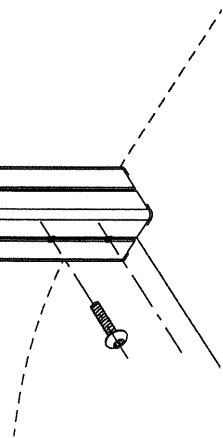


2

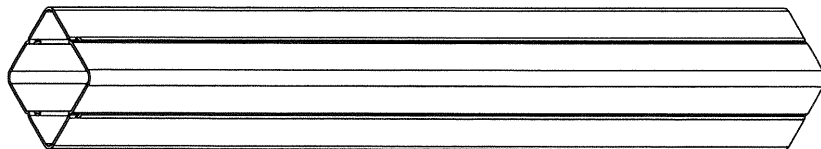


2

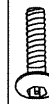
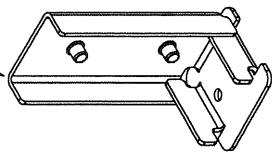
VCBHC10*30I
X2



LGP3834

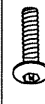


LG3812



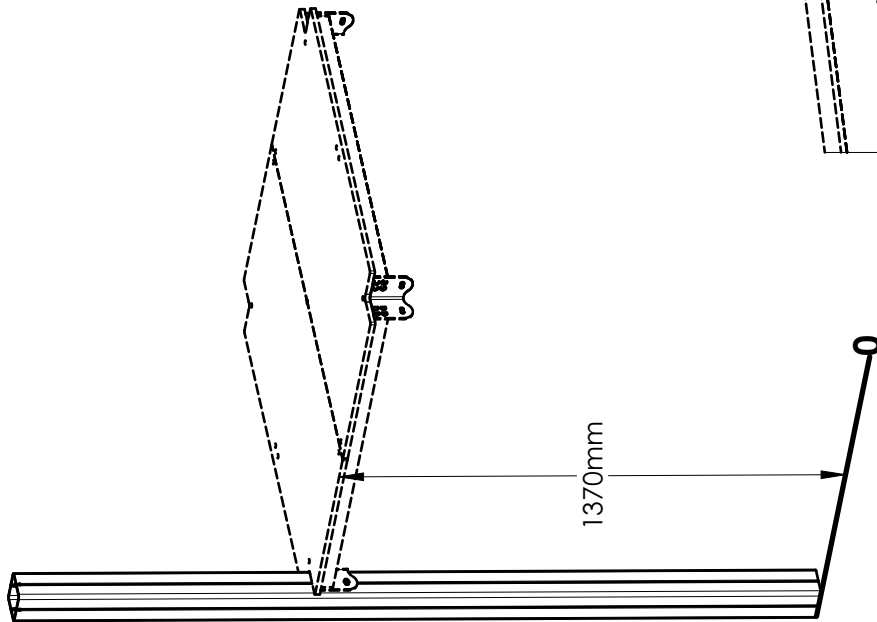
VCBHC10X30I

2

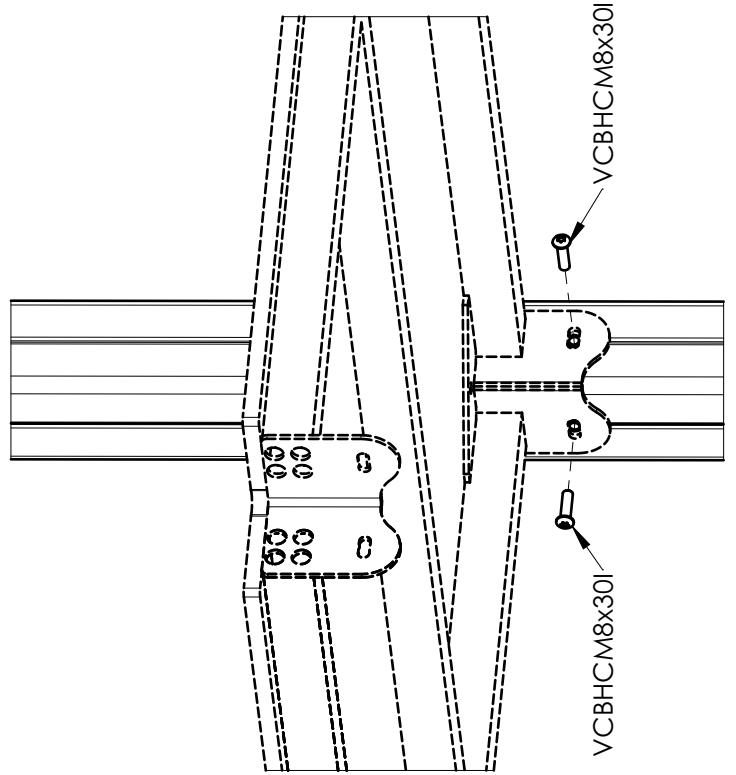


VCBHC8X30I

2



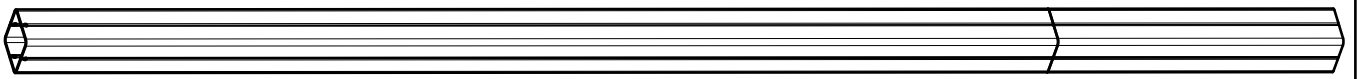
1370mm



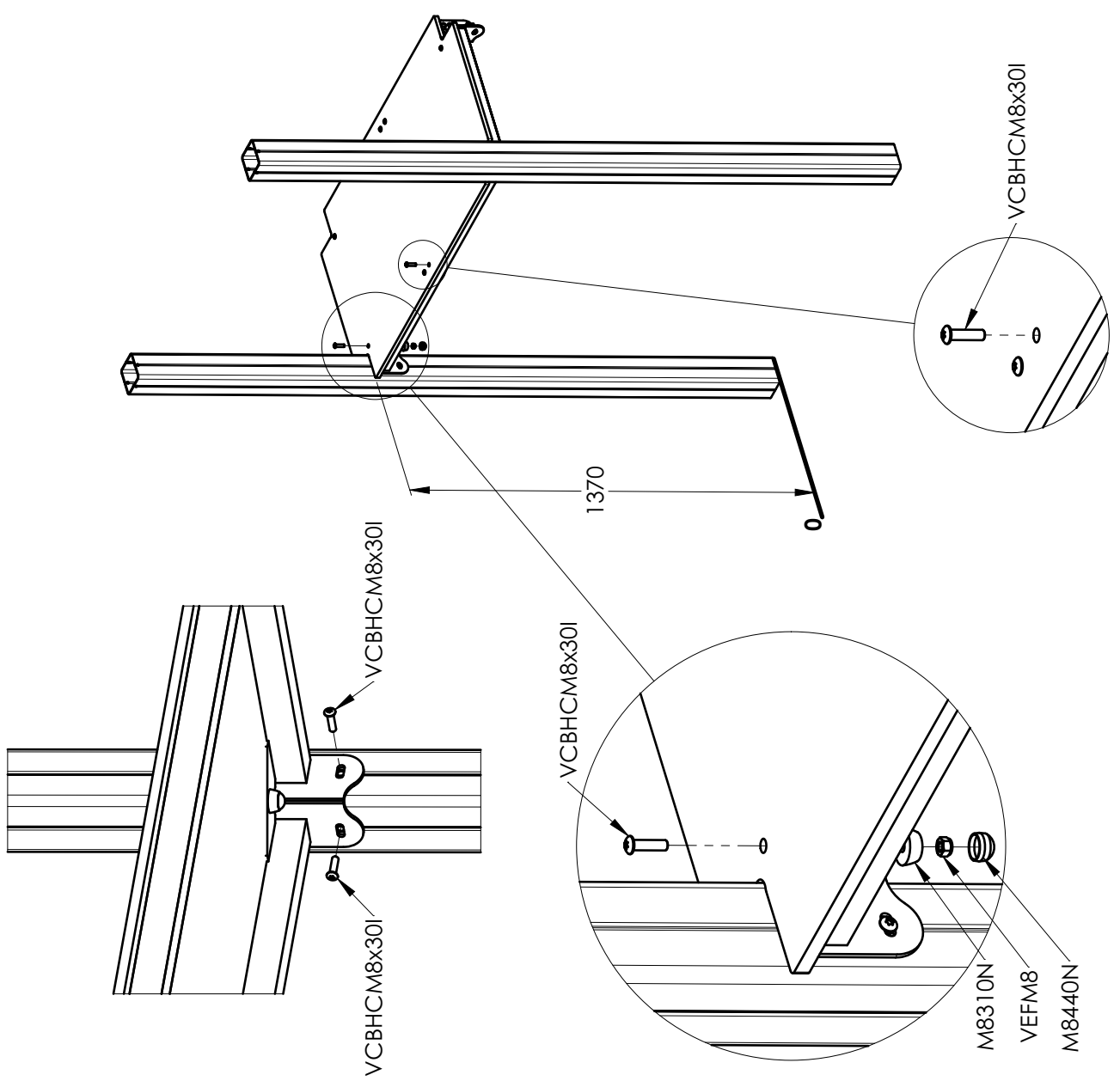
VCBHC8x30I

VCBHC8x30I

U3849A



Réf	Qté
VCBHC8x30I	2
U3849A	1



U3849A

LG3813

FT3858

Réf	Qté
FT3858	1
LG3813	1
M8310N	4
M8440N	4
U3849A	2
VCBHC8x30I	16
VEFM8	4

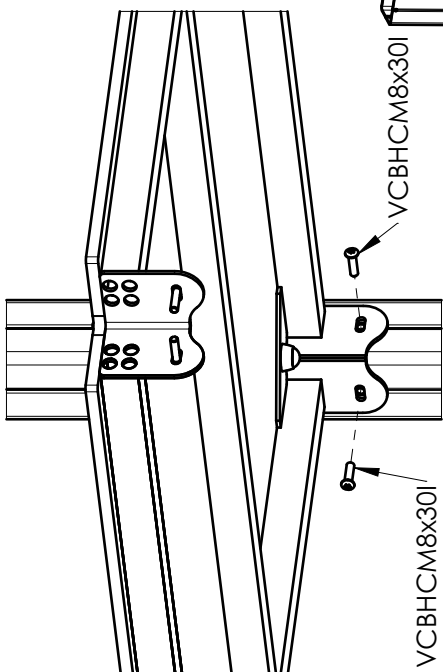
G38106A

HT 1370mm

1 / 1

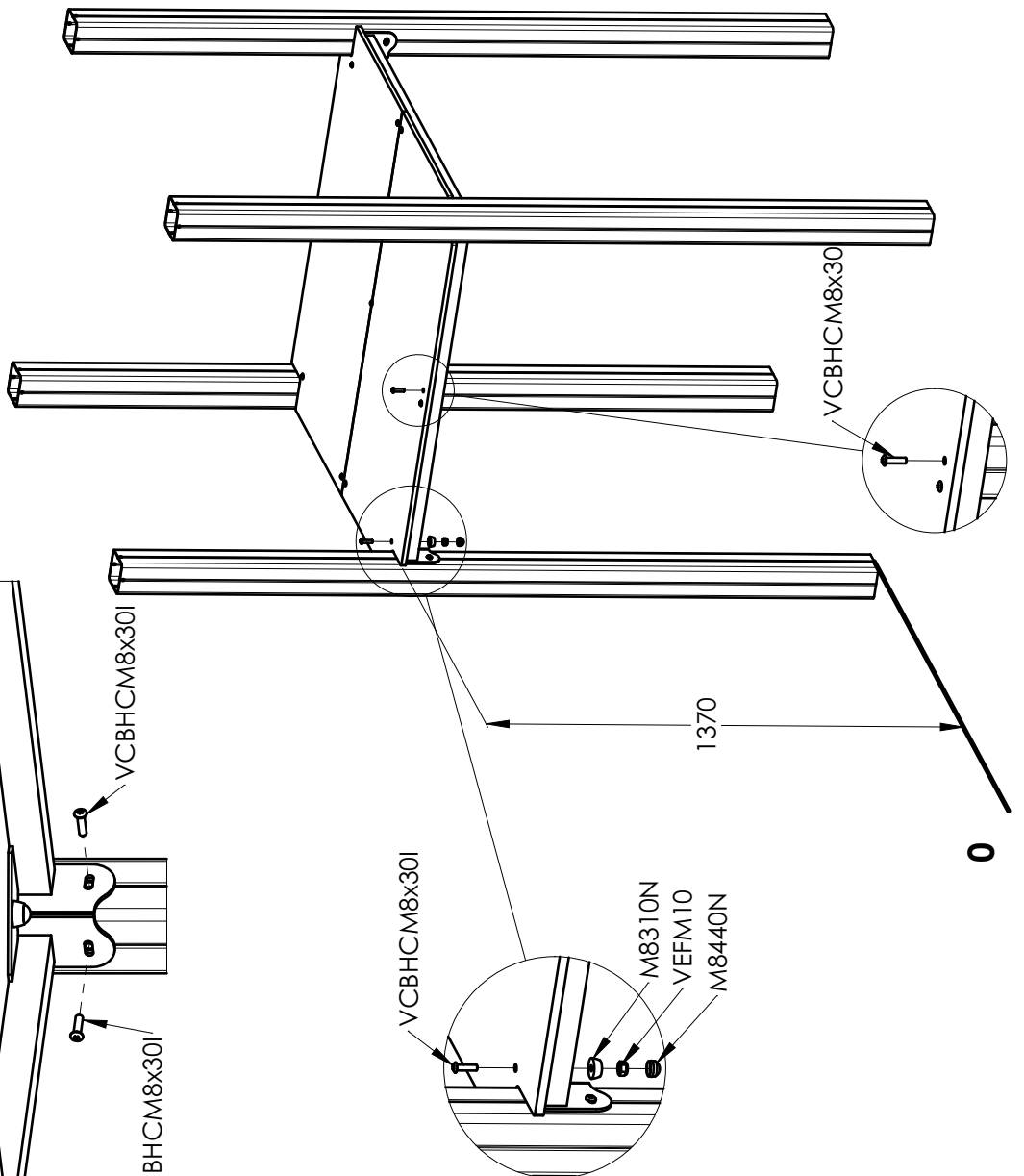
01/10/2017

Procluc



VCBHCM8x30I

VCBHCM8x30I



1370

0

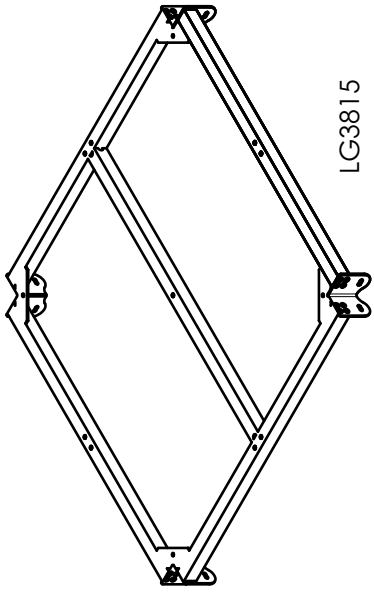
VCBHCM8x30I

M8310N

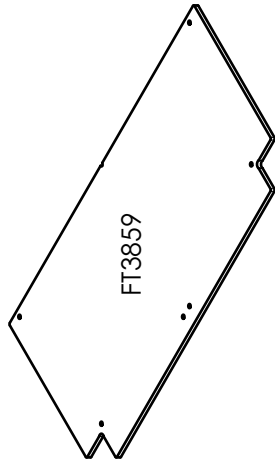
VEFM10

M8440N

VCBHCM8x30

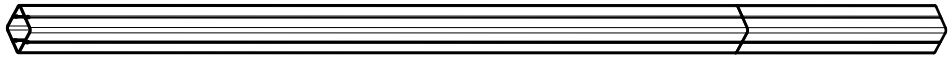


LG3815

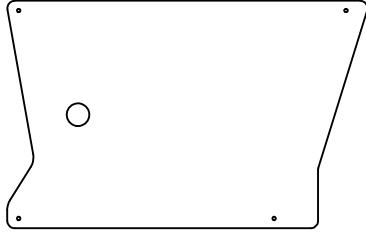
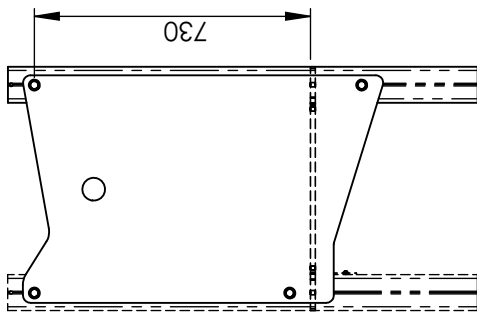


FT3859

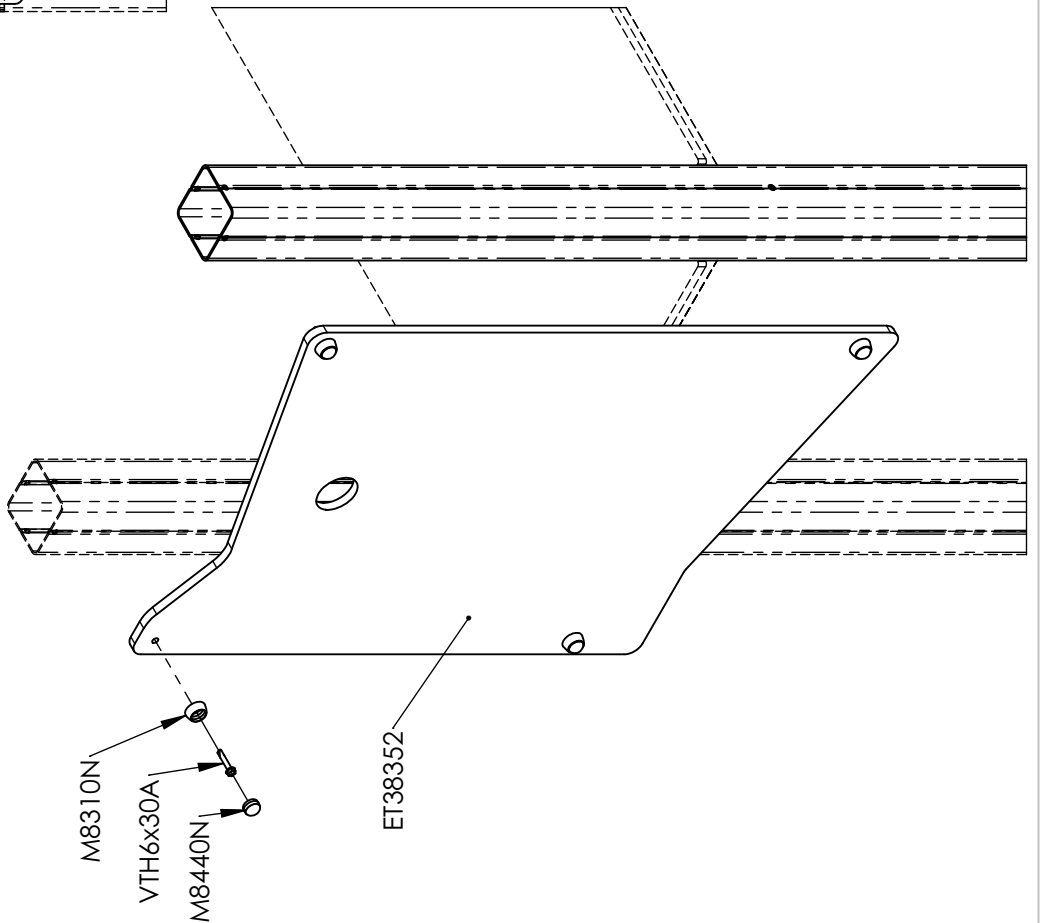
U3849A



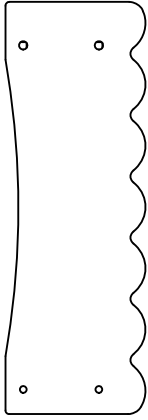
Réf	Qté
FT3859	2
LG3815	1
M8310N	4
M8440N	4
U3849A	2
VCBHCM8x30I	21
VEFM10	4



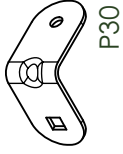
ET38352



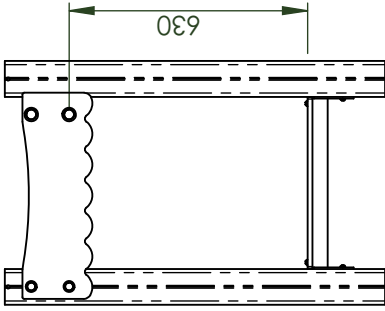
Réf	Qté
ET38352PL	1
M8310N	4
M8440N	4
VTH6x30A	4



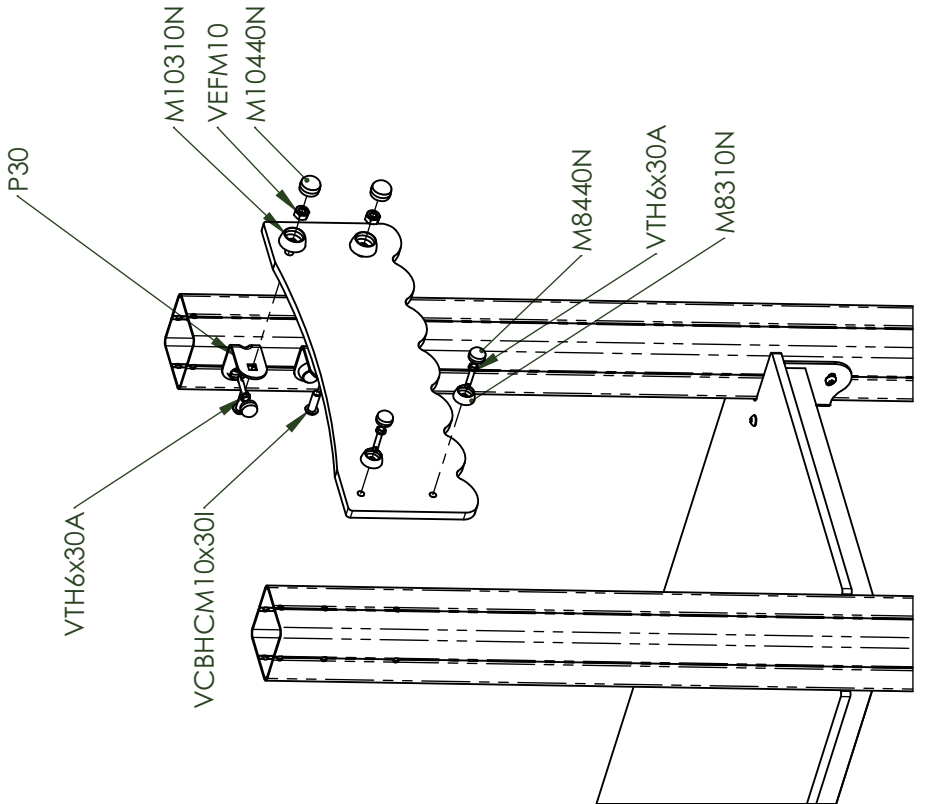
ET38650



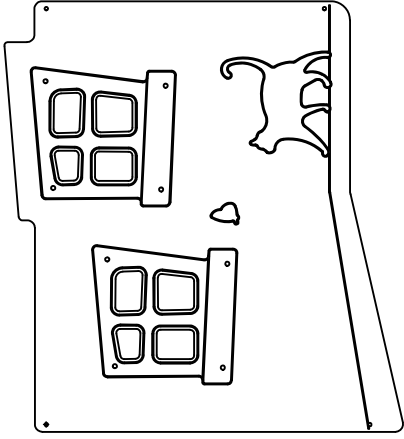
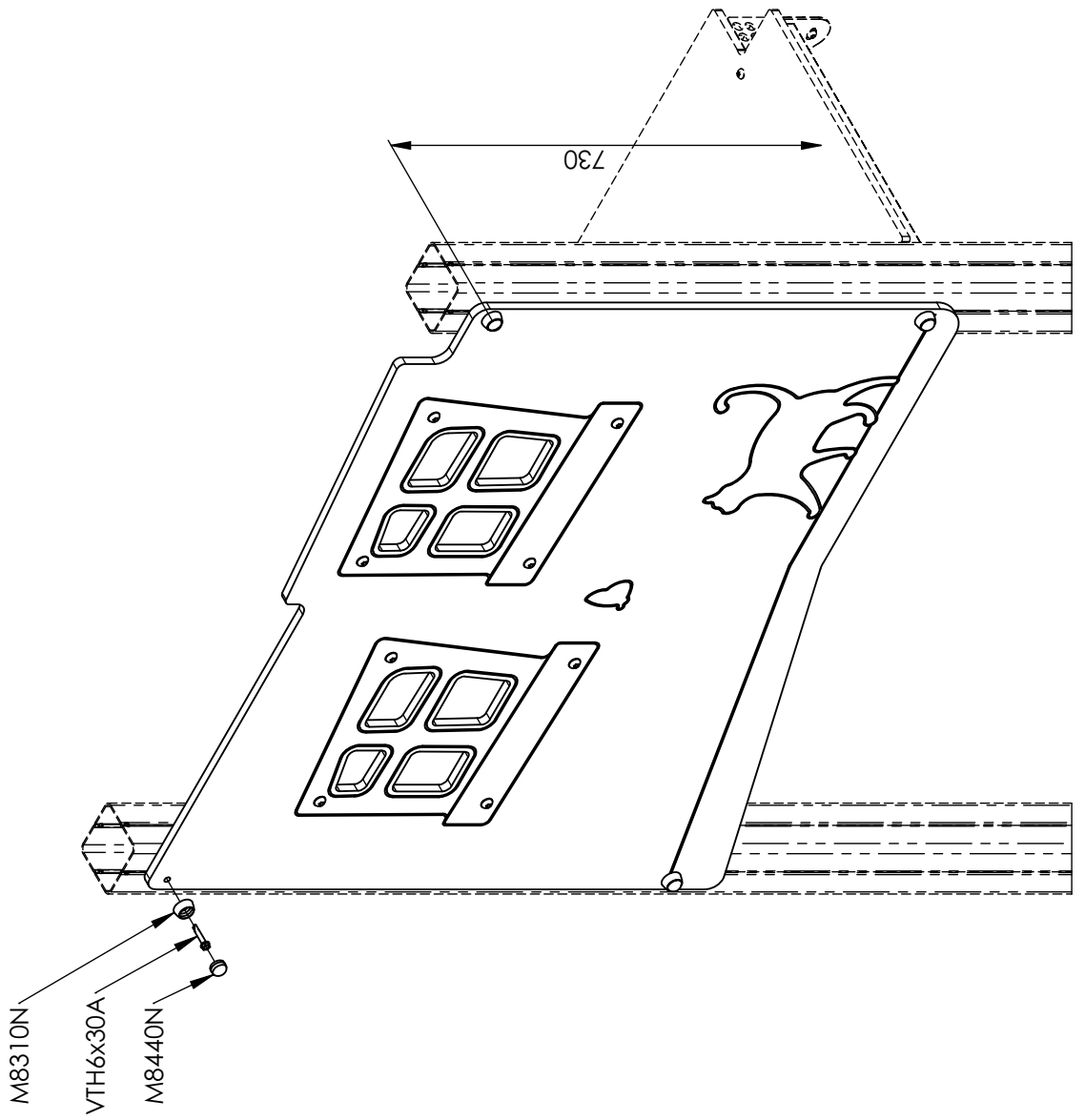
P30



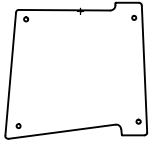
630



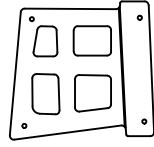
Réf	Qté
M8310N	4
M8440N	4
M10310N	2
M10440N	2
P30	2
VCBHCM10x30I	2
VEFM10	2
VTH6x30A	4
ET38650RC	1



ET38653

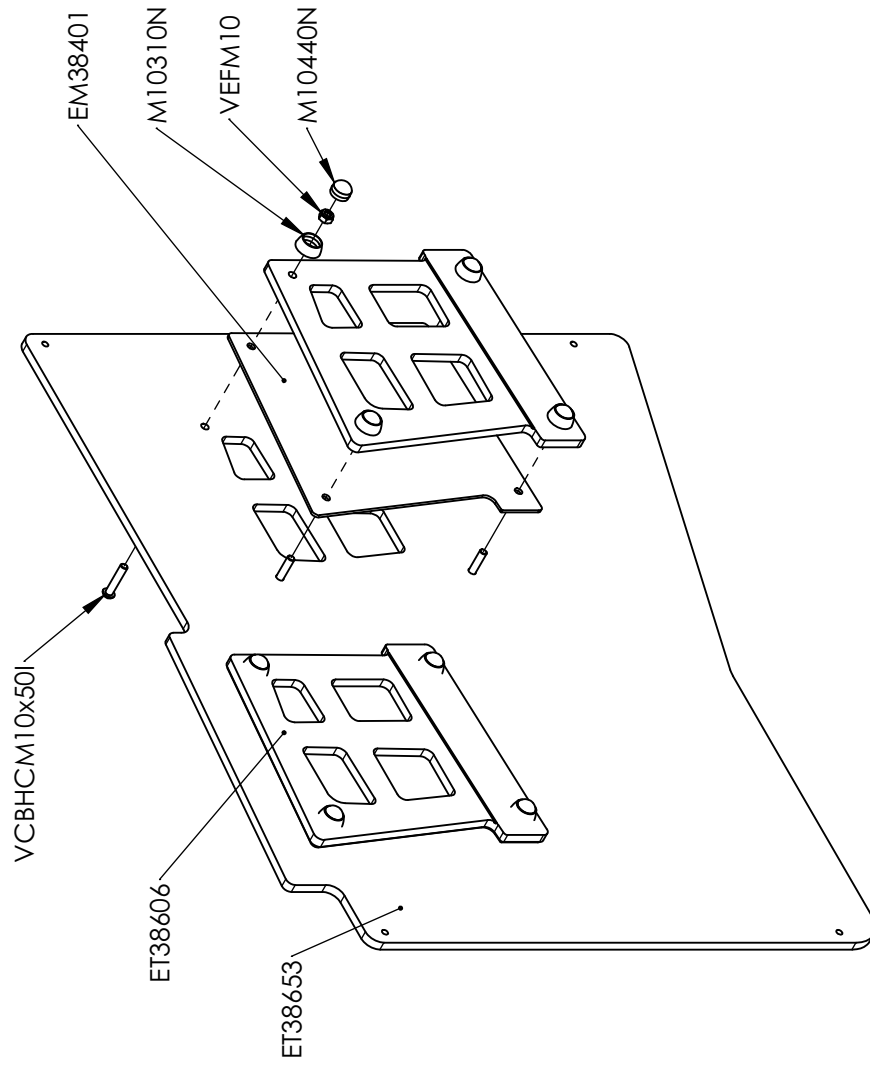


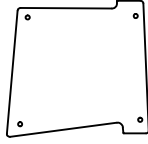
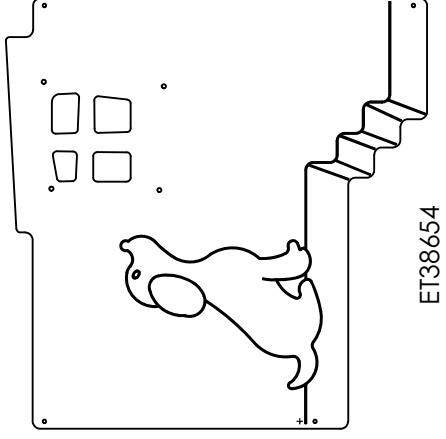
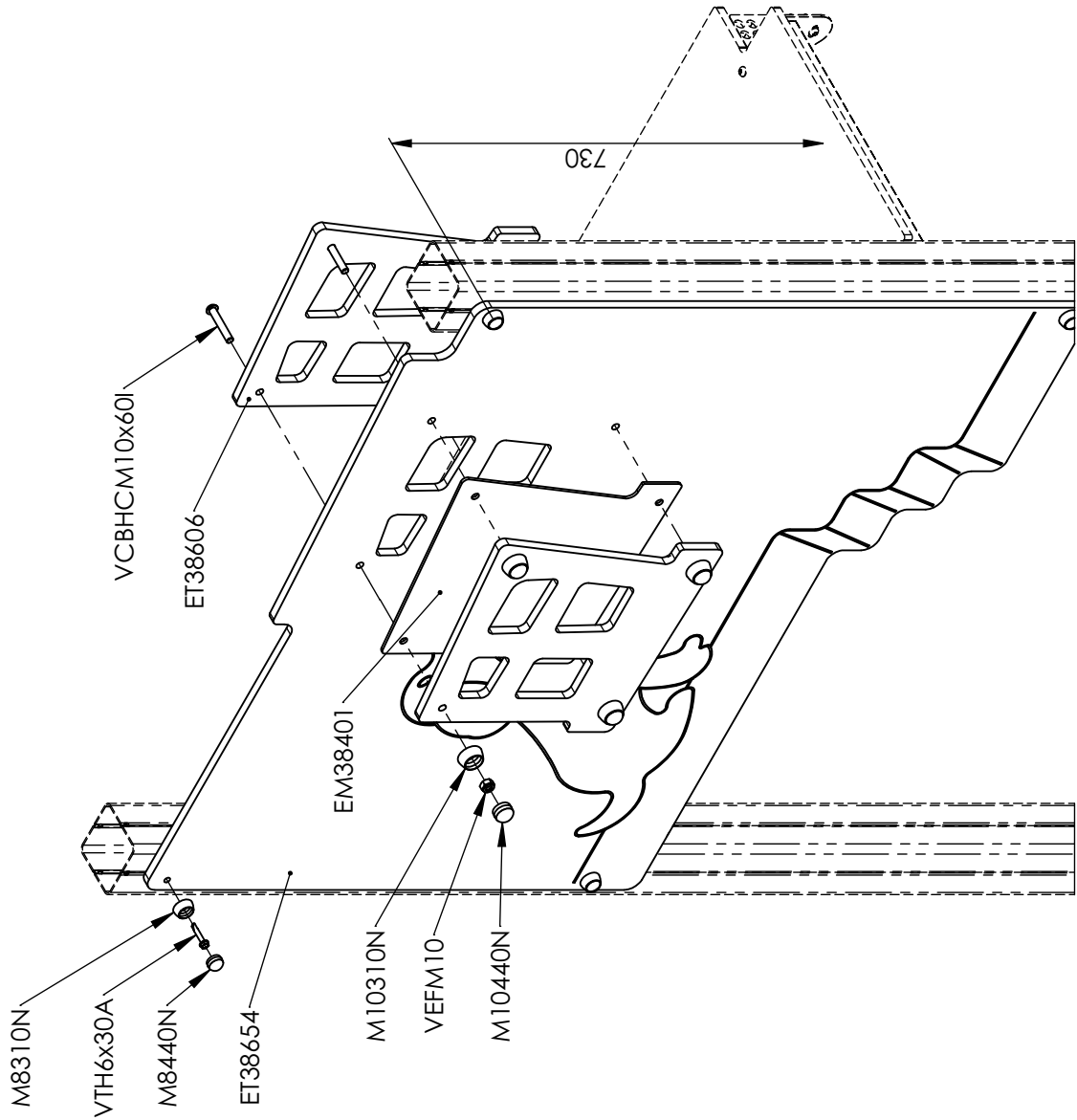
EM38401



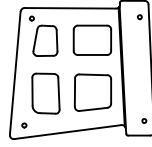
ET38606

Réf	Qté
EM38401	2
ET38606RC	2
ET38653L	1
M8310N	4
M8440N	4
M10310N	8
M10440N	8
VCBHC10x50I	8
VEFM10	8
VTH6x30A	4



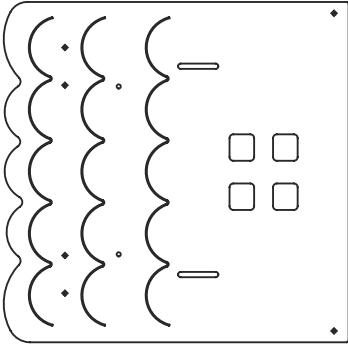
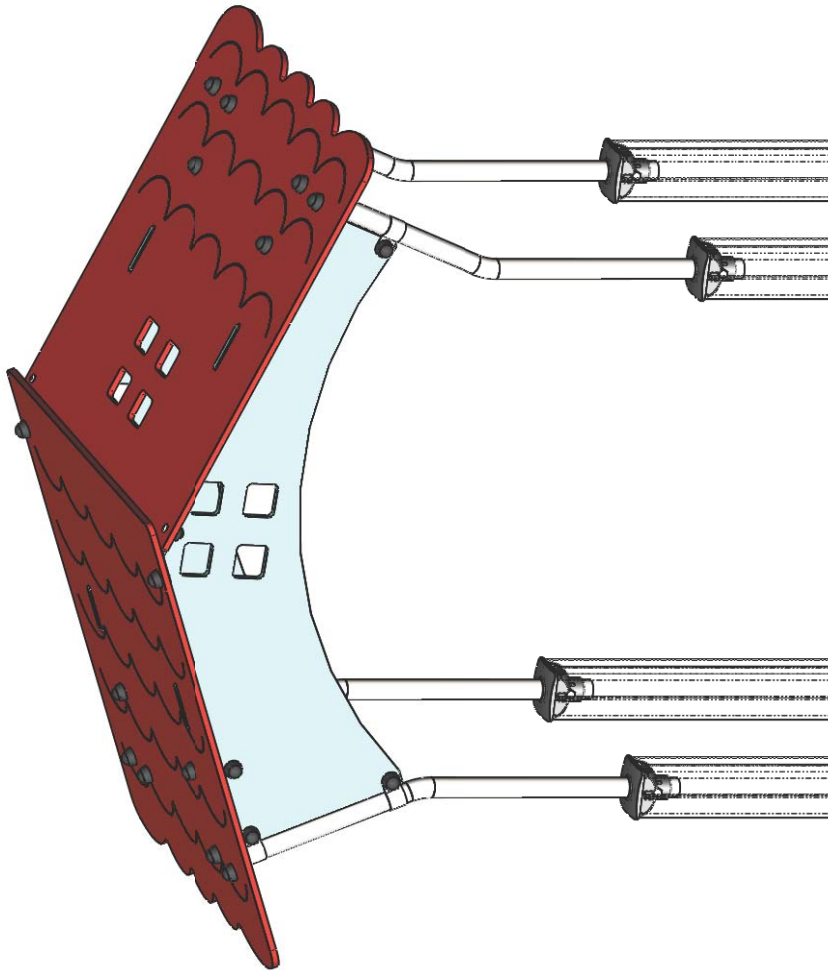


EM38401

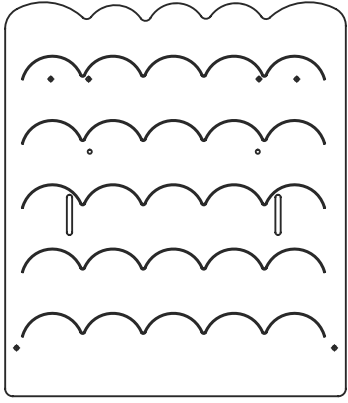


ET38606

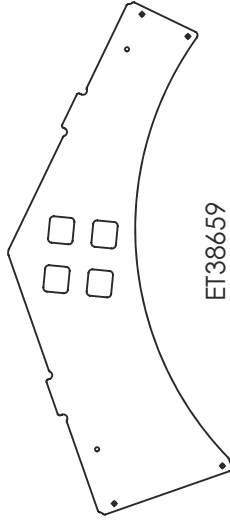
Réf	Qté
EM38401	1
ET38606RC	2
ET38654L	1
M8310N	4
M8440N	4
M10310N	4
M10440N	4
VCBHC10x60I	4
VEFM10	4
VTH6x30A	4



ET38657



ET38658



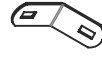
ET38659



LAP3800



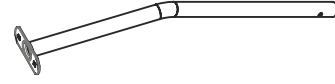
LI4505



P135

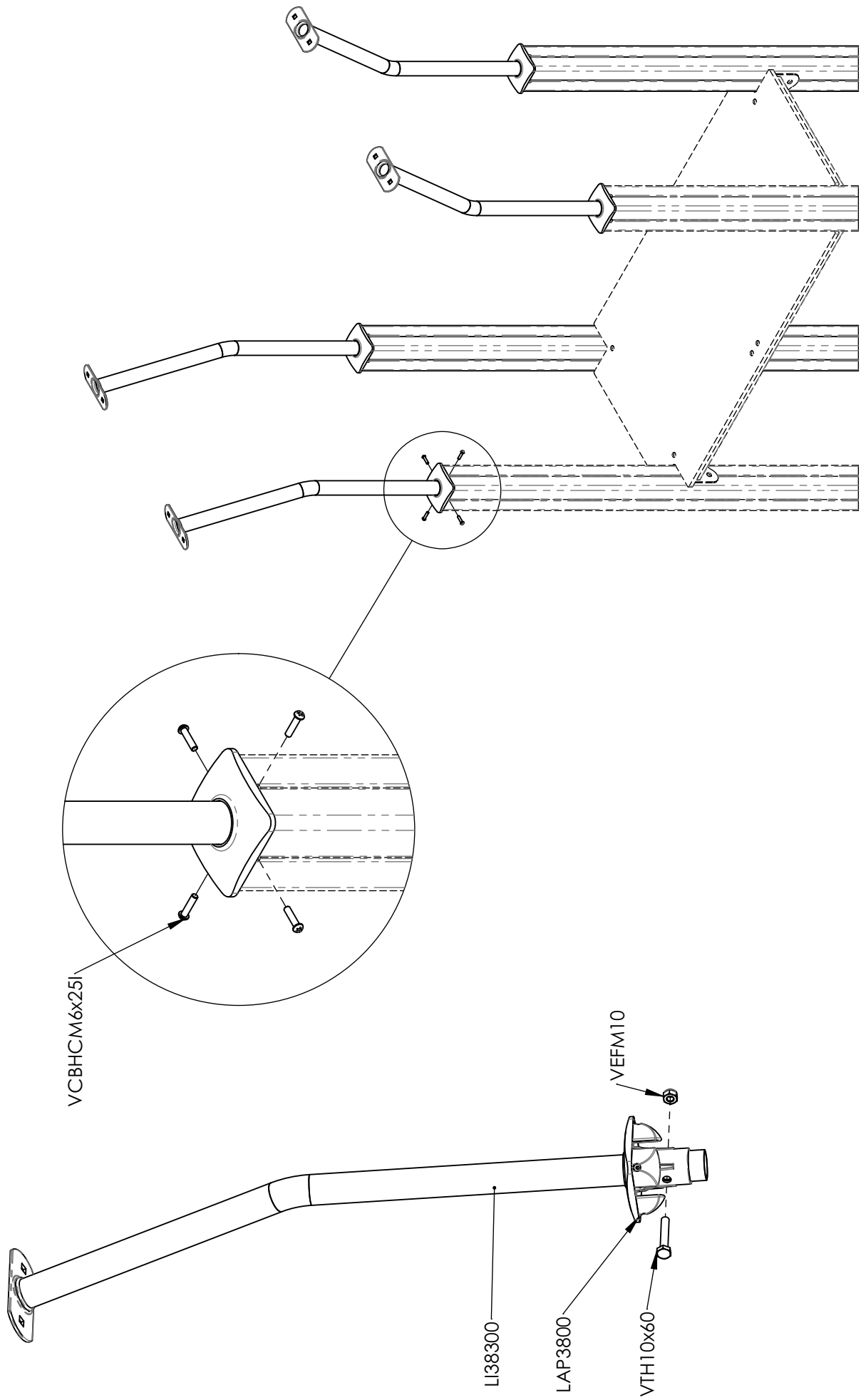


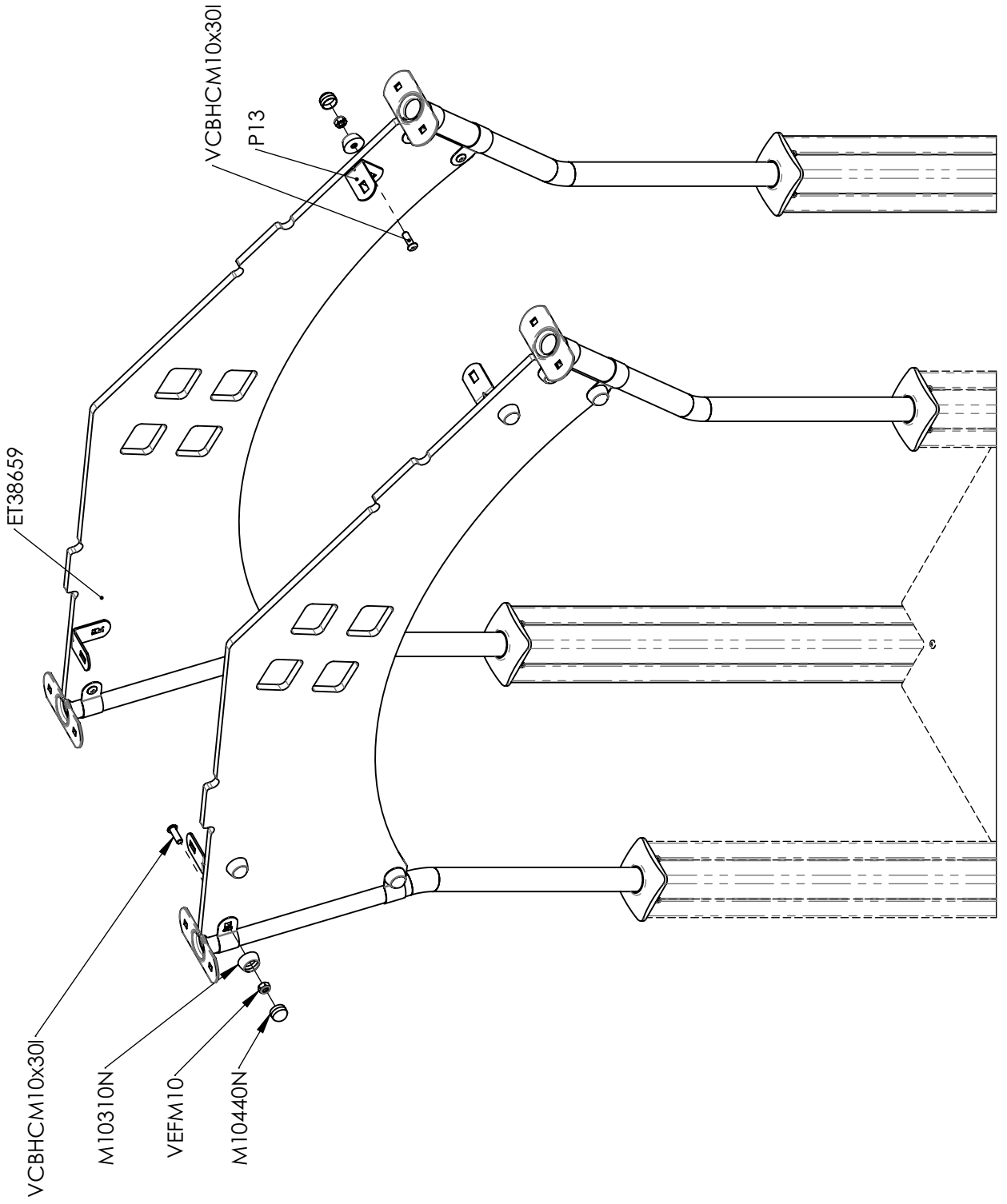
P13

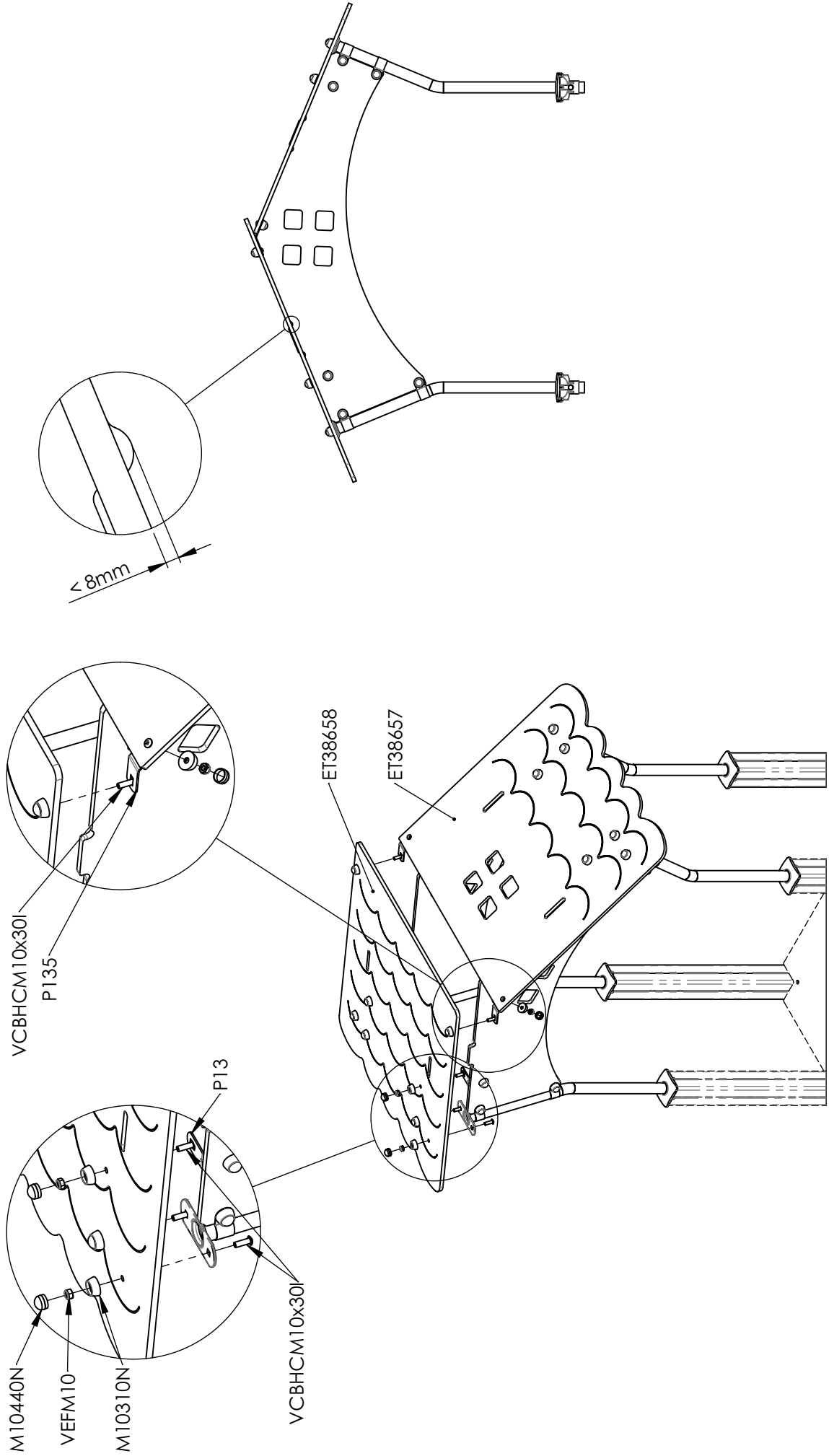


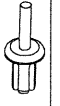
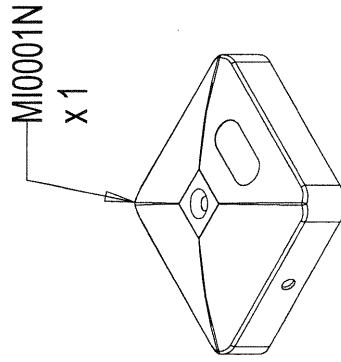
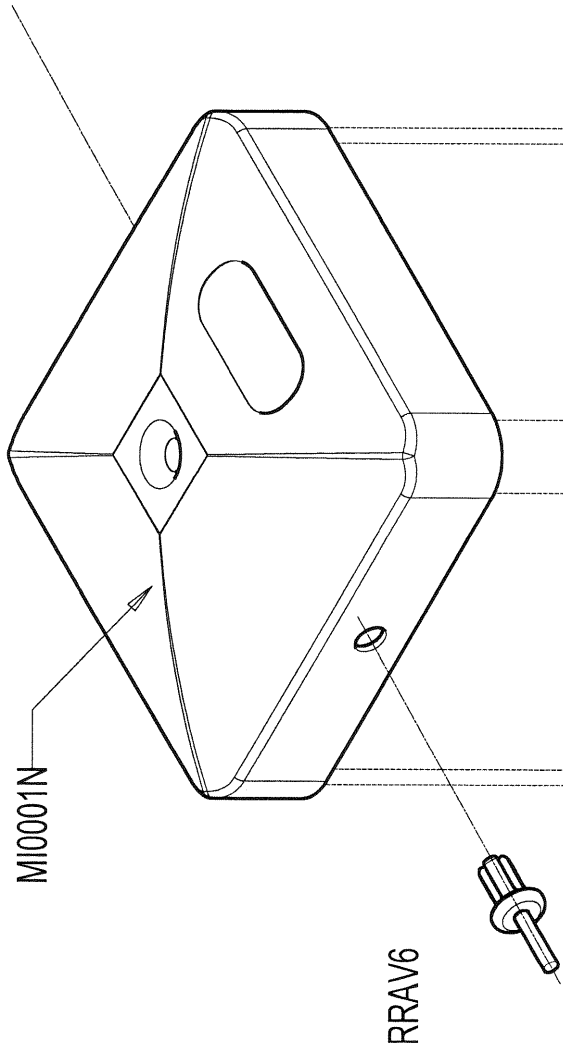
LI38300

Réf	Qté
ET38657RC	1
ET38658RC	1
ET38659L	2
LAP3800	4
LI38300	4
M10310N	28
M10440N	28
P13	4
P135	2
VCBHC6M6x25I	16
VCBHC6M10x30I	28
VEFM10	32
VTH10x60	4
LI4505	8



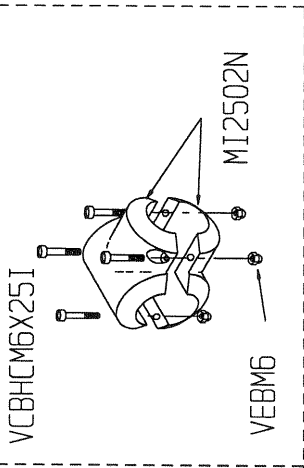




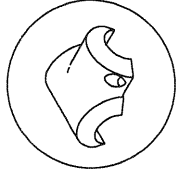
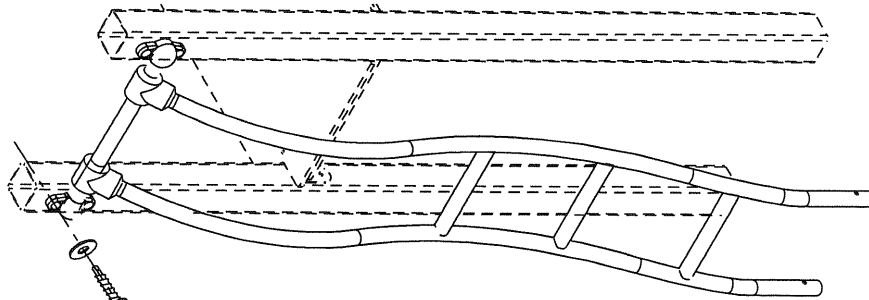


RRAV6

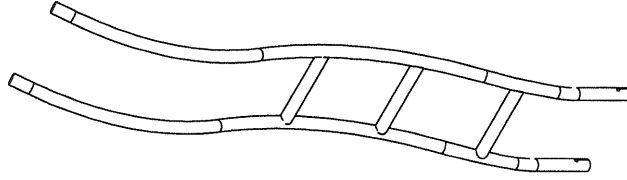
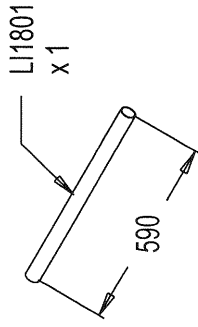
2



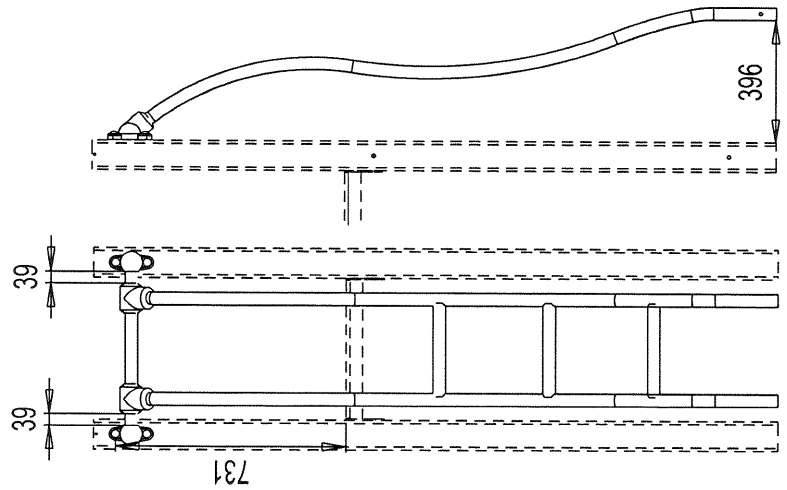
VR6*18
VTH6*30A
M10440N



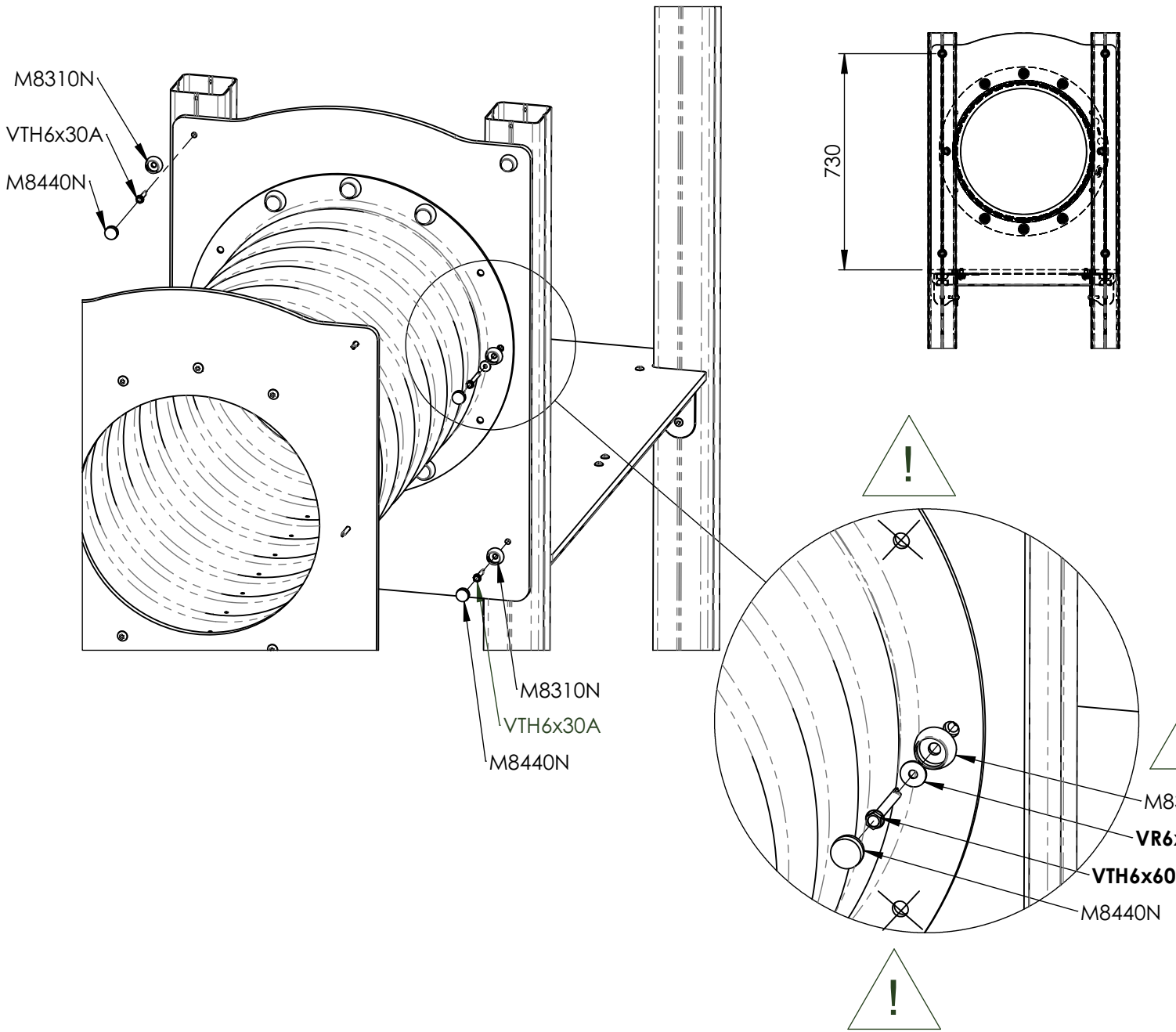
MI2502N x 4

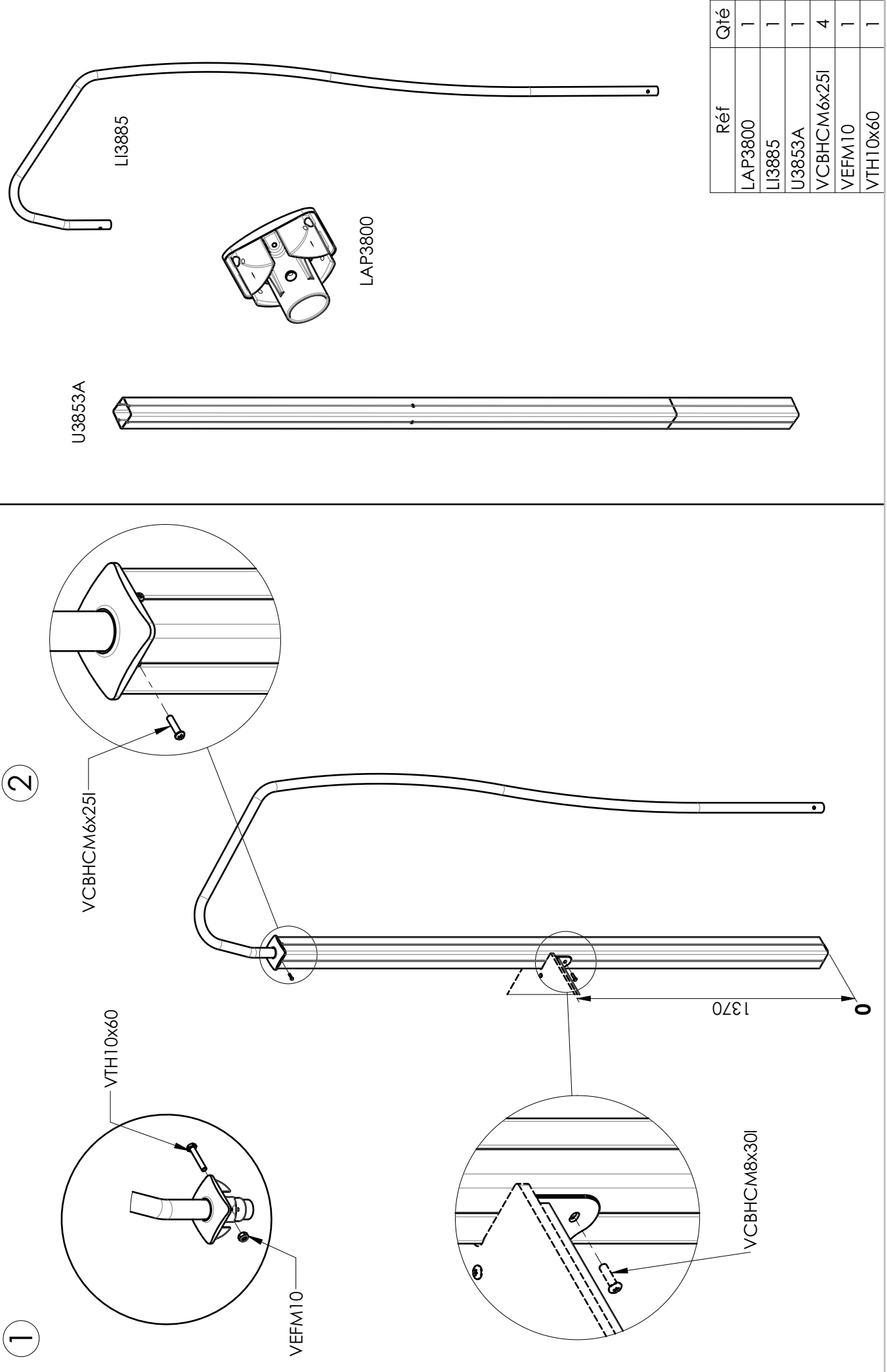


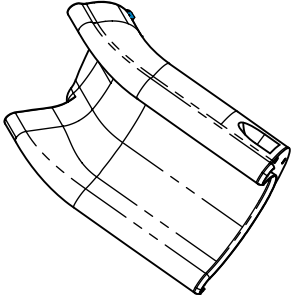
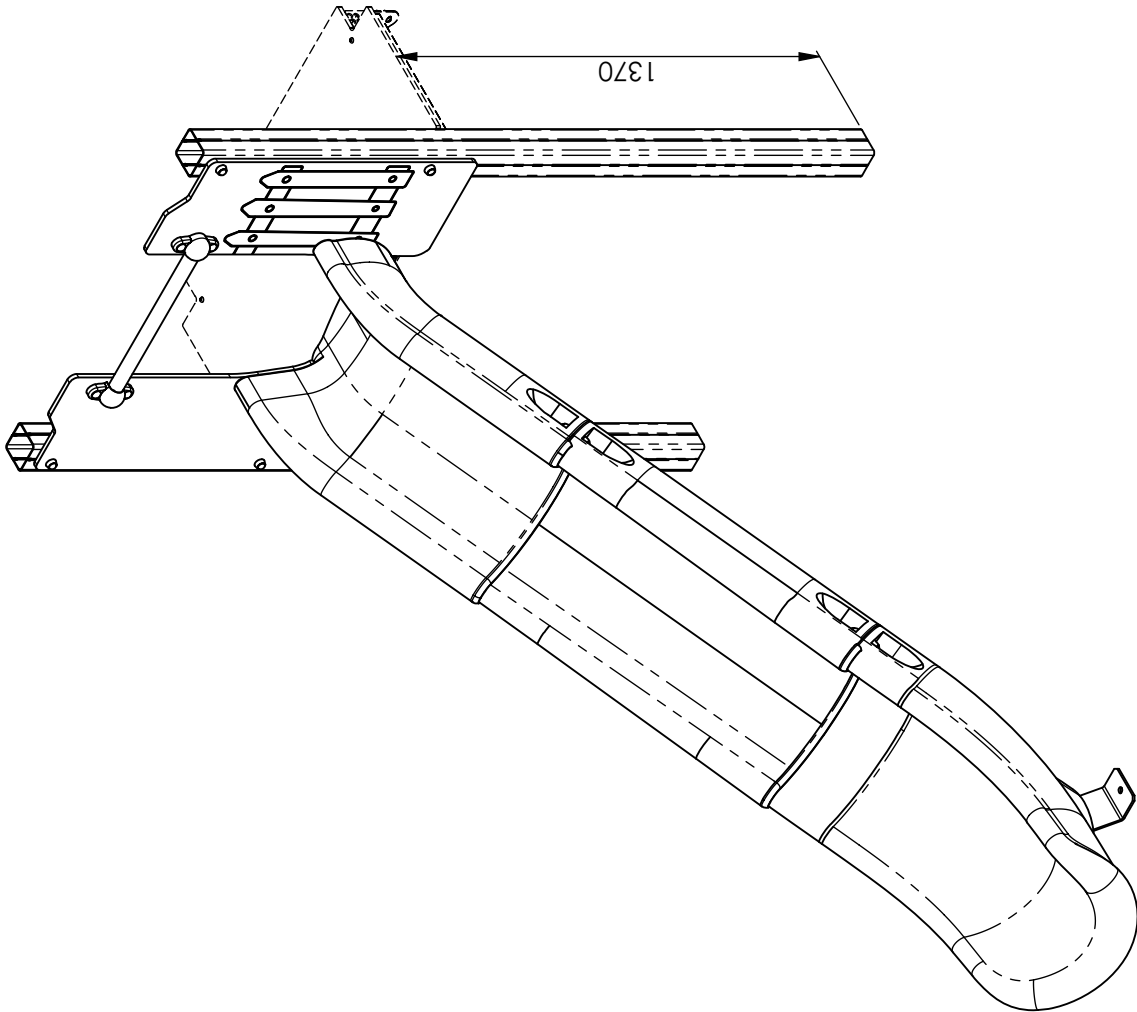
LI33130 x 1



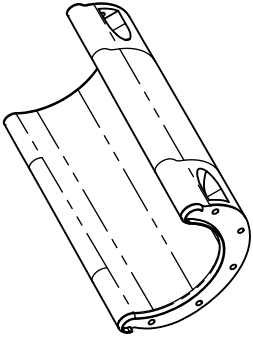
	VR6X18	4
	MI26N	2
	VTH6X30A	4
	VCBHC6*25I	8
	VEBM6	8
	M10440N	4



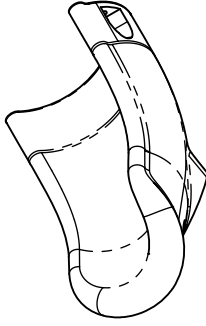




M4501



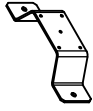
M4503



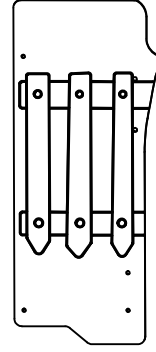
M4506



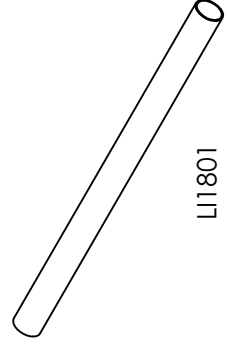
MI26N



LG4505



ET38655



LI1801

Réf	Qté
ET38655L	2
LG4505	1
LI1801	1
M4501	1
M4503	1
M4506	1
M8310N	4
M8440N	4
M10310N	24
M10440N	28
MI26N	2
VBT6x50	5
VCBHC10x30I	4
VCBHC10x40I	4
VEFM10	14
VTH6x30A	4
VTH10x70	10
VBT6x30	2

