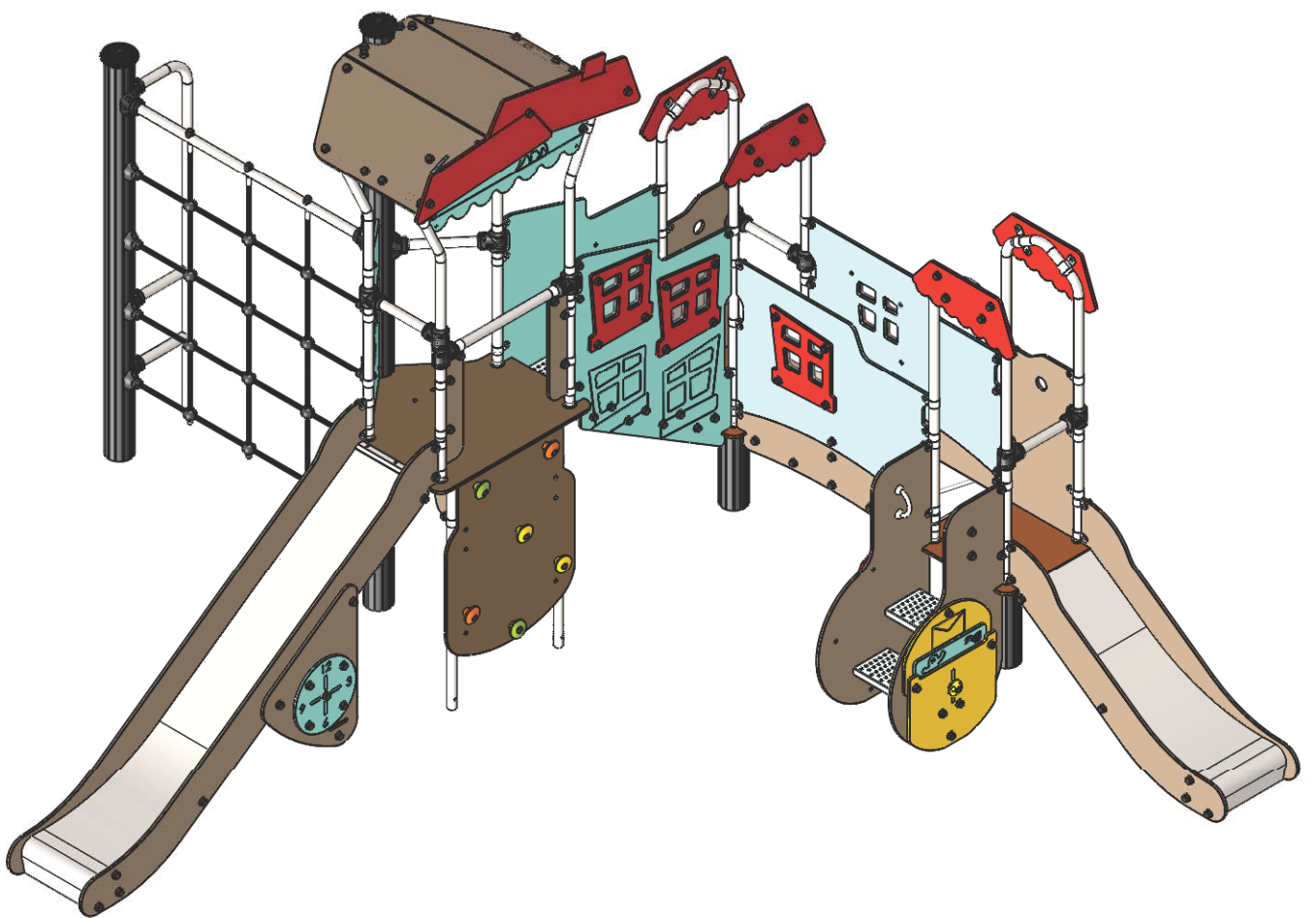


J38603

Proludic





N°		m ²
1	0.6 m	6.5 m ²
2	1 m	13 m ²
3	1.17 m	9.5 m ²
4	1.8 m	12.5 m ²

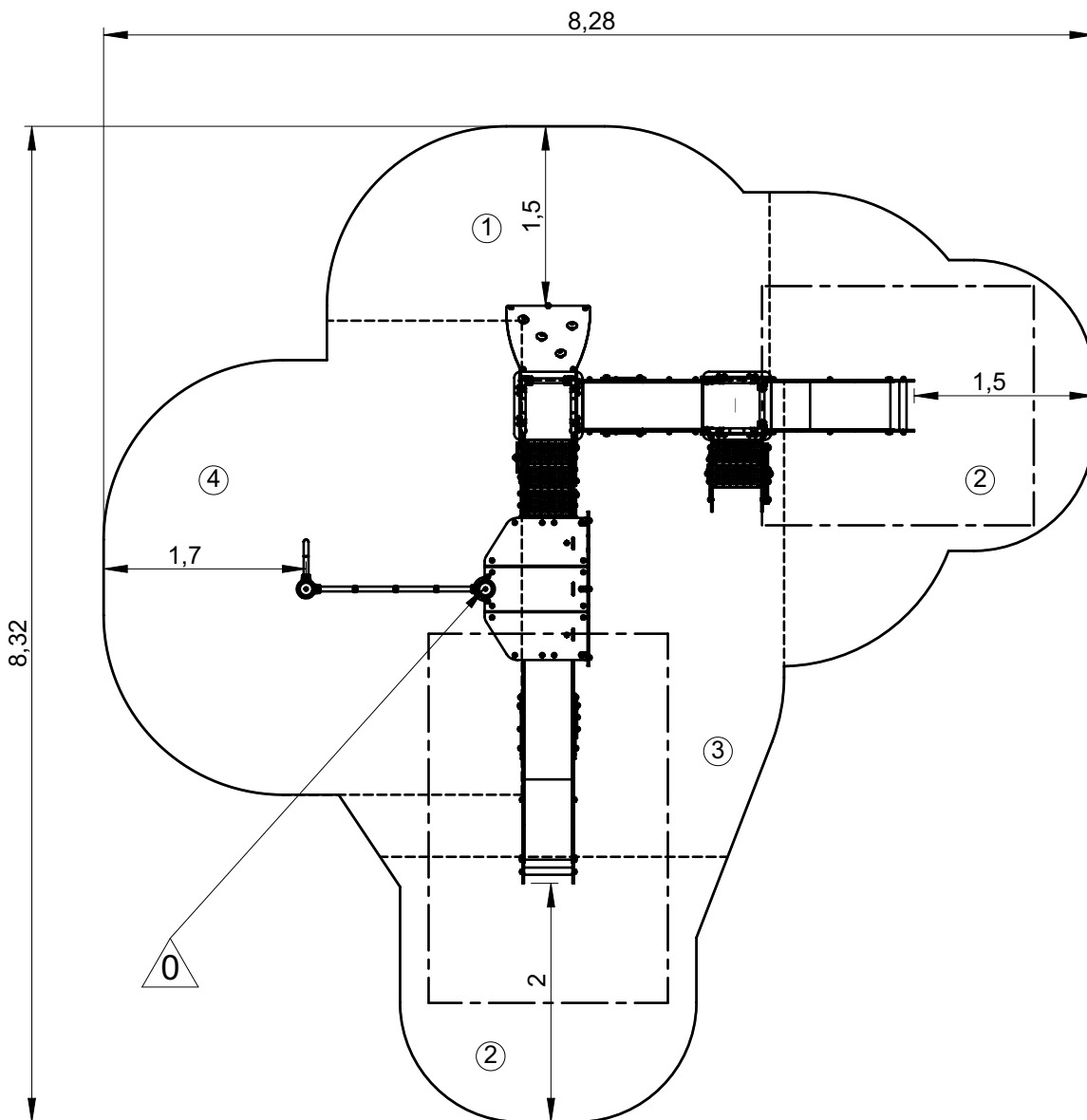
— Zone d'impact
Impact area
Area de impacto
Fallraum
Valzone

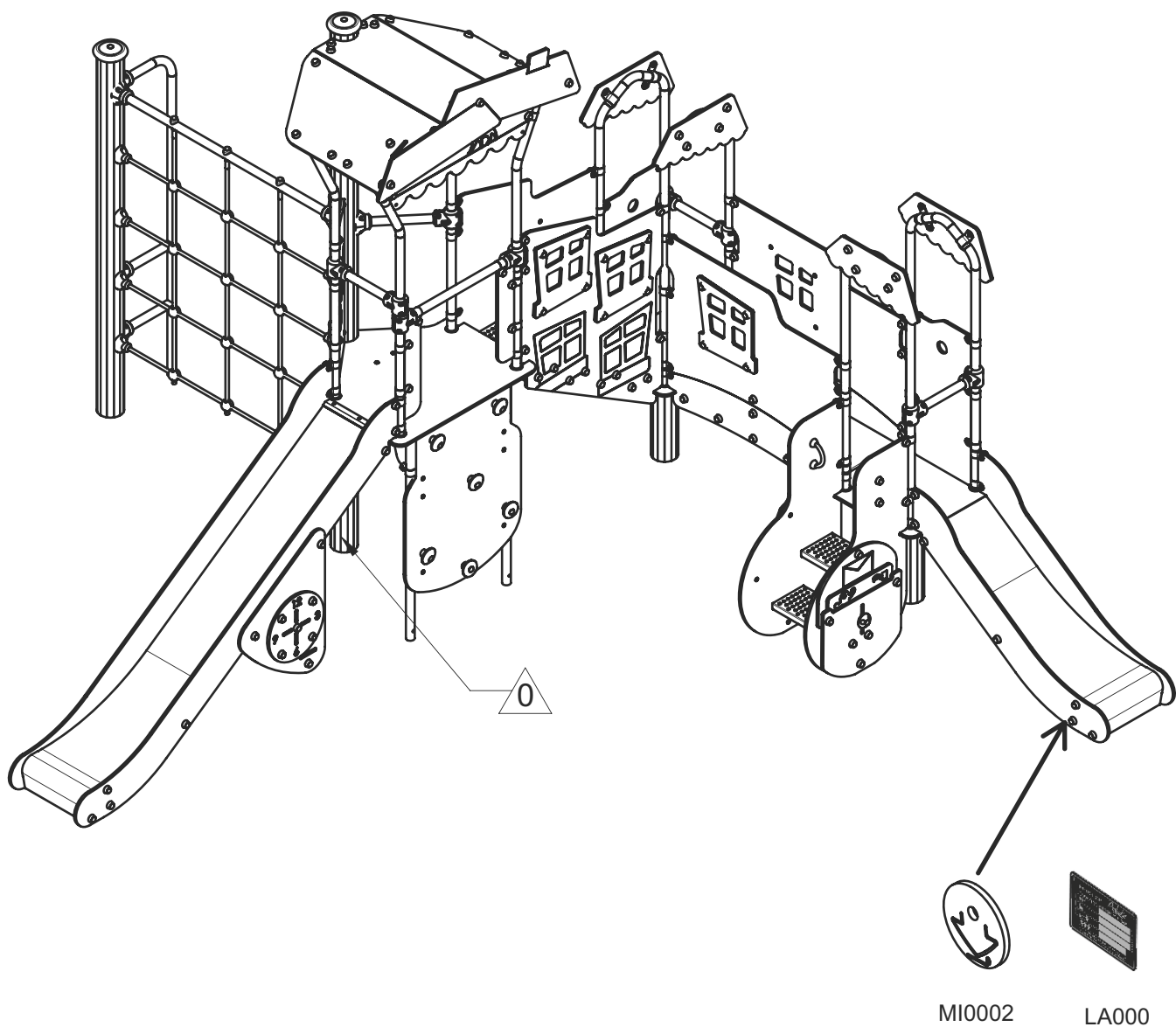


Point de référence
Setting out point
Punto de referencia
Bezugspunkt
Referentiepunt

- - - Espace libre
Free space
Espacio libre
Freiraum
Vrije ruimte

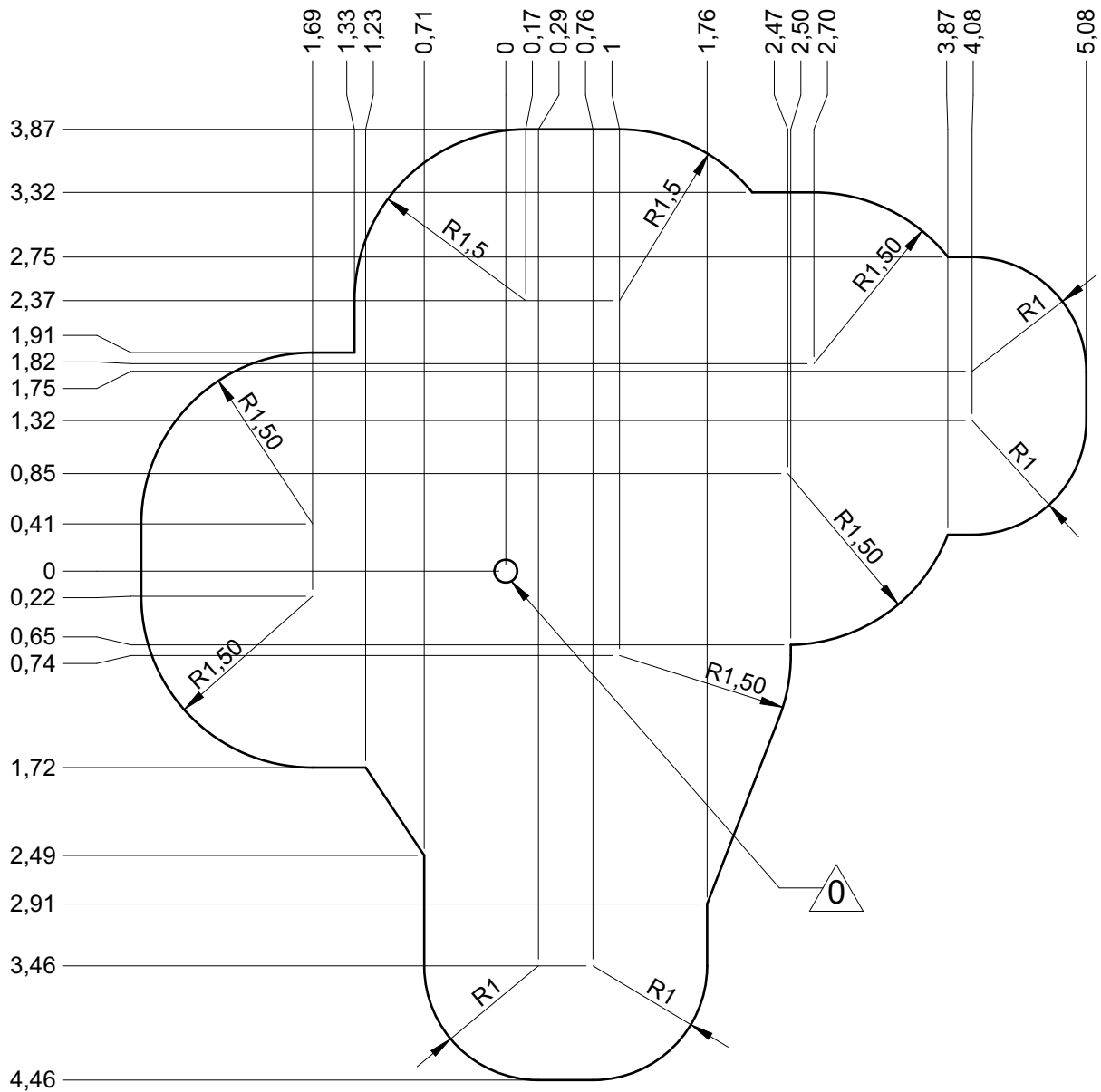
EN1176-1:2017
EN1176-3:2017





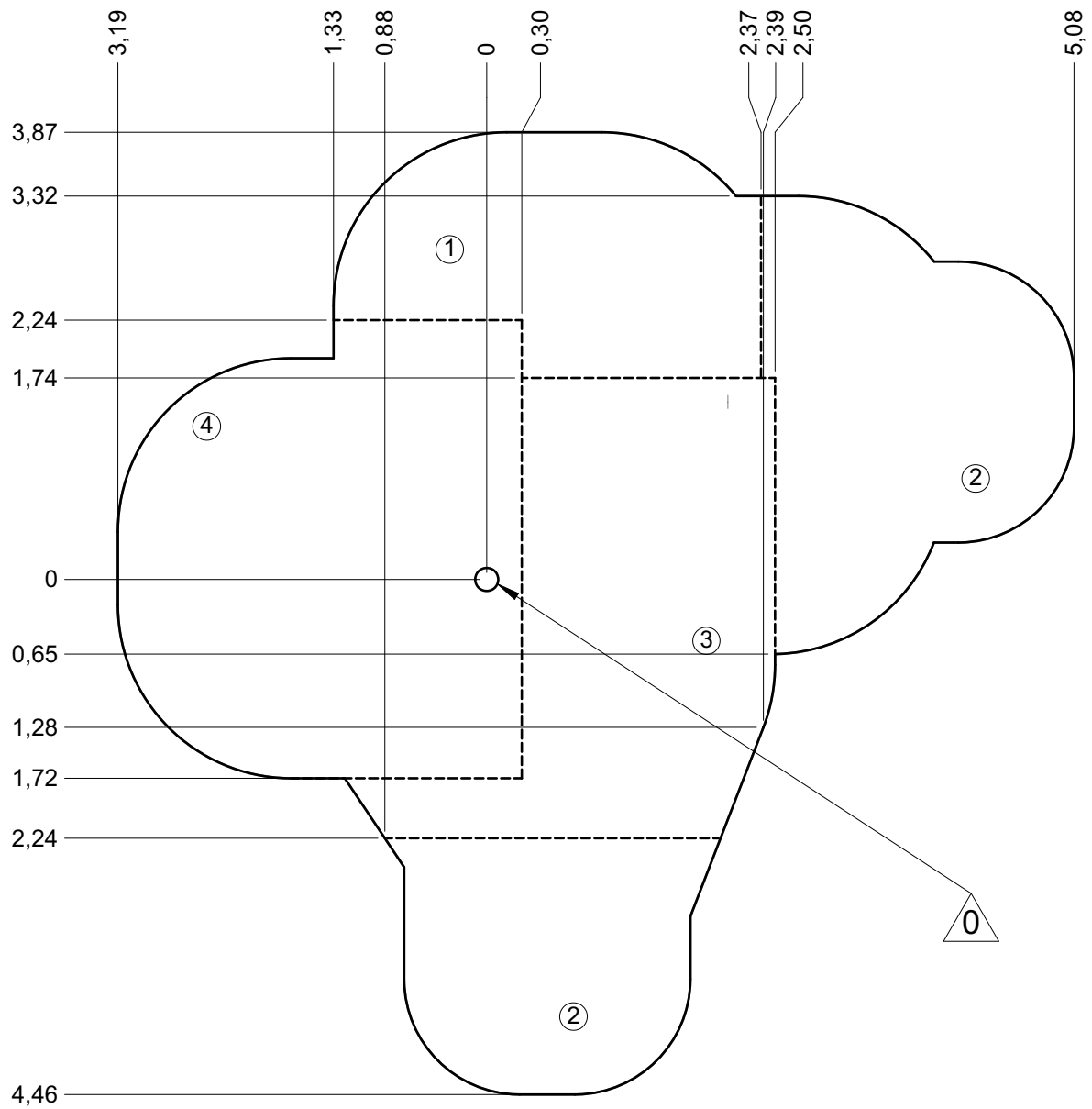
— Zone d'impact
 Impact area
 Area de impacto
 Fallraum
 Valzone

41.5 m²



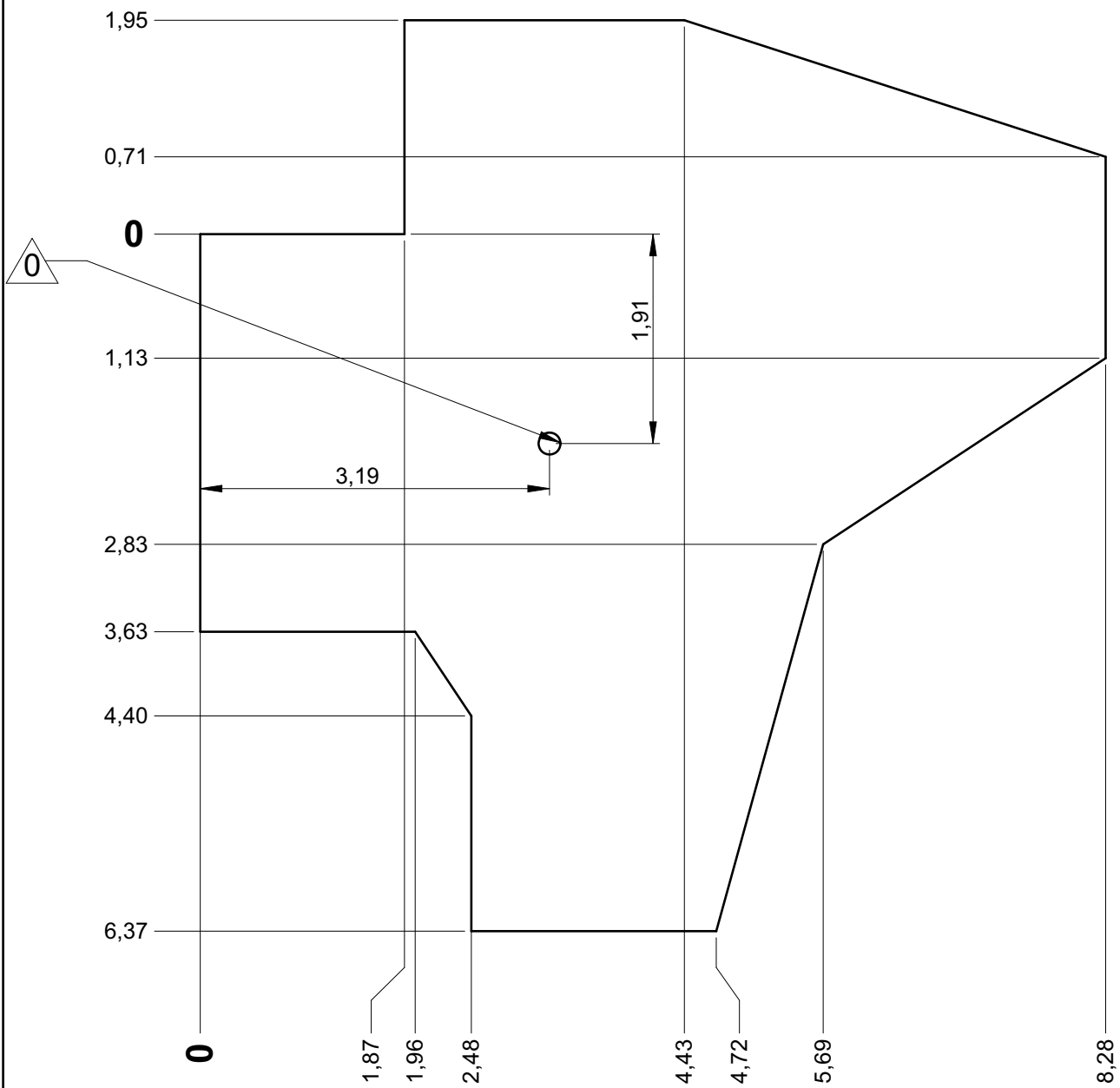
— Sol souple
 Wetpour
 Caucho continuo
 Synthetischer fallschutz
 Gietvloer

41.5 m²

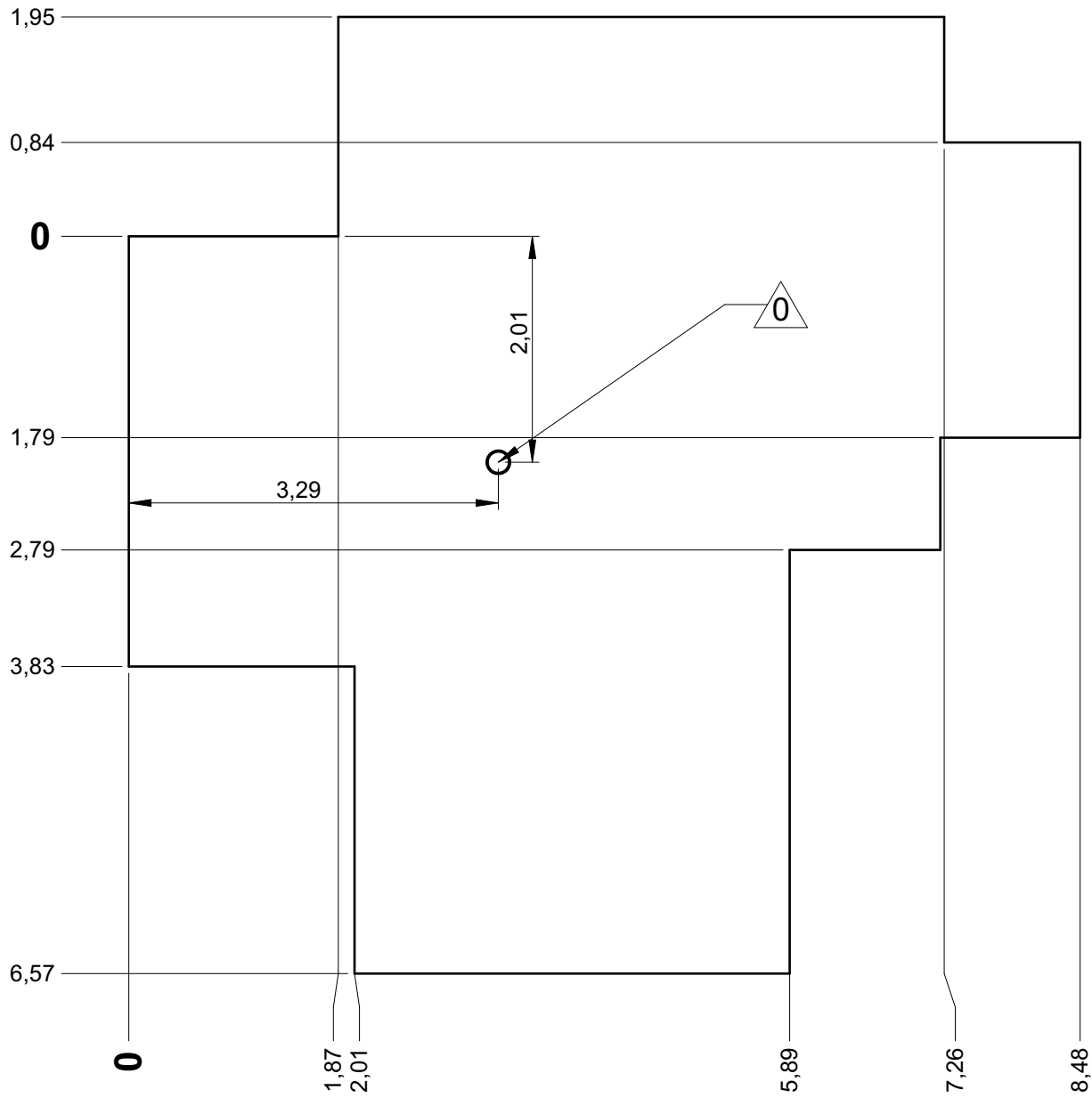


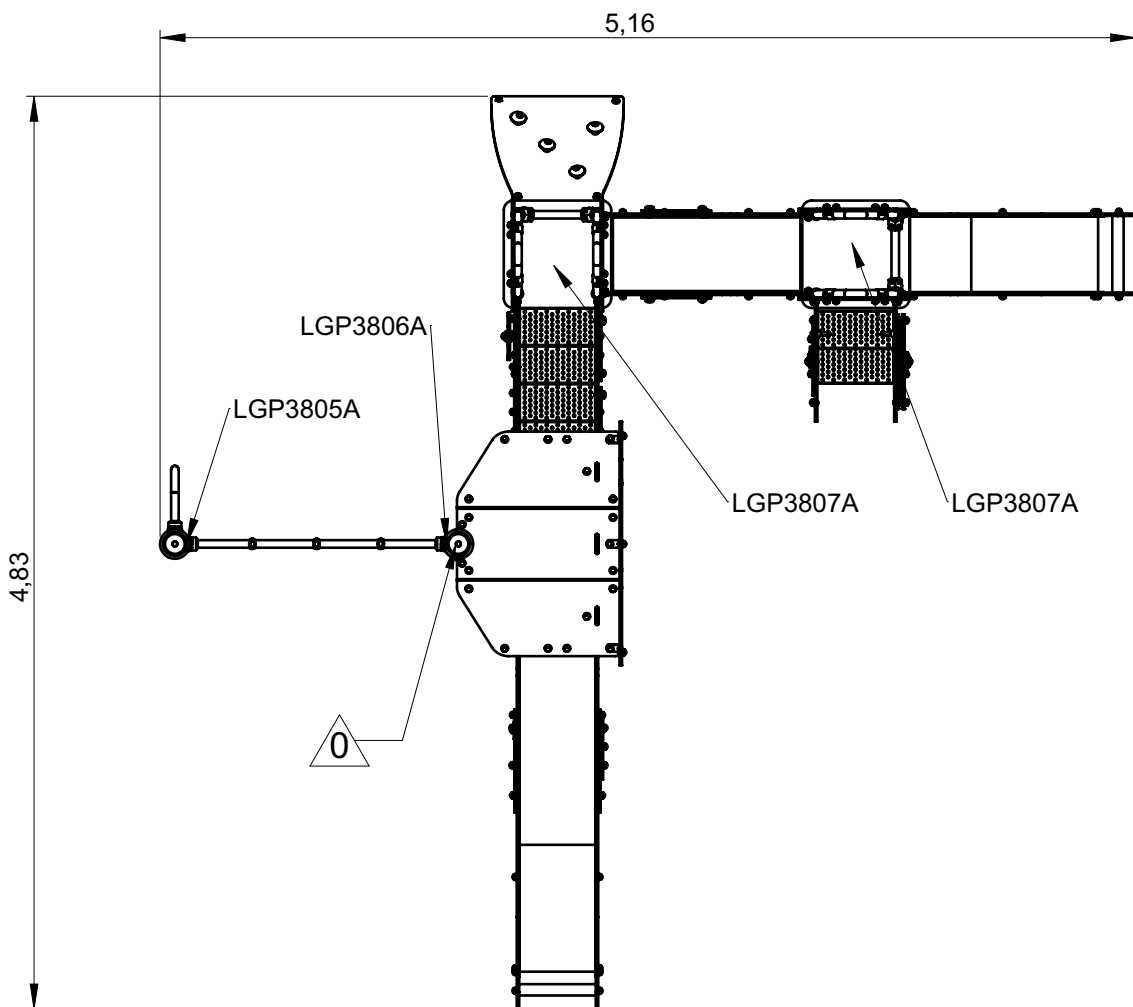
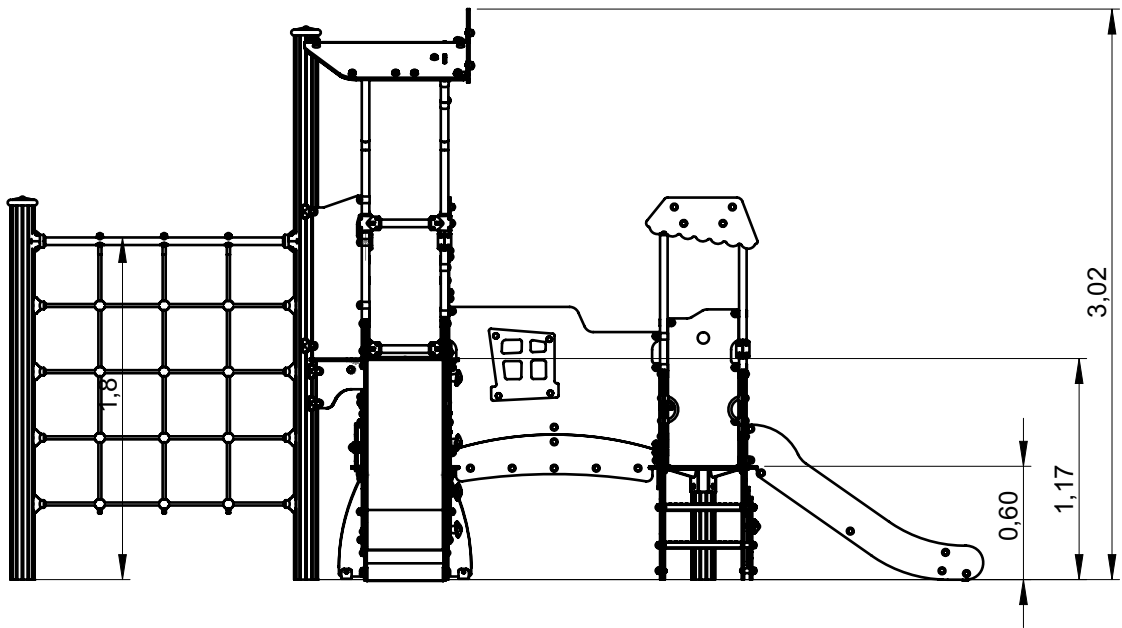
— Dalle béton
 Concrete pad
 Solera de hormigon
 Beton bodenplatte
 Betonnen bodemplaat

32 m
43.5 m²



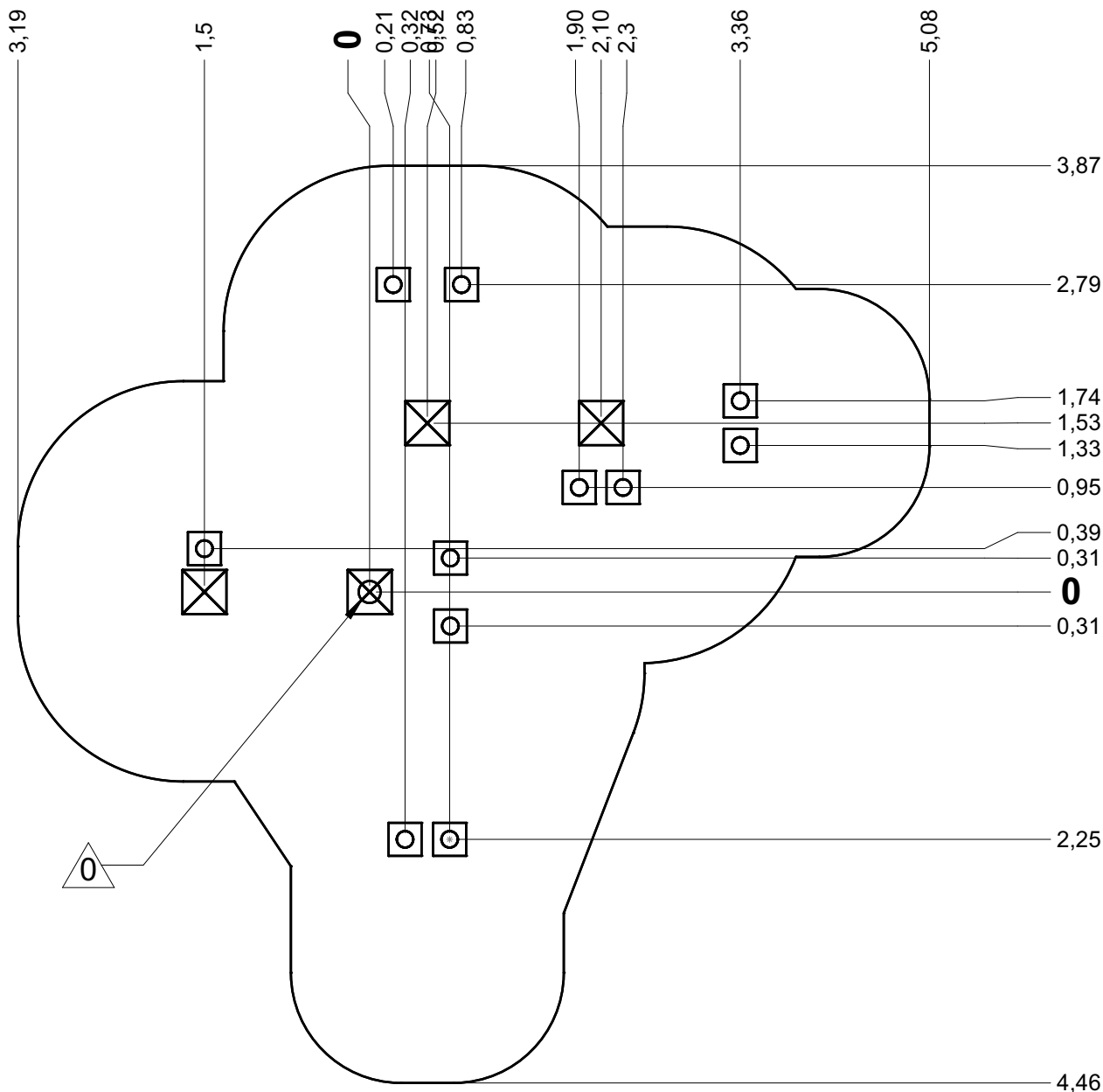
— Sol fluent
 Loos partucule material **36 m**
 Arenero
 Loses Bodenmaterial **51 m²**
 Los bodemateriaal



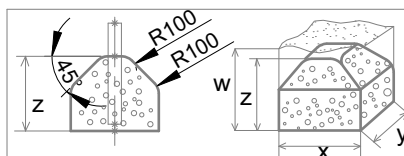


J38603 A

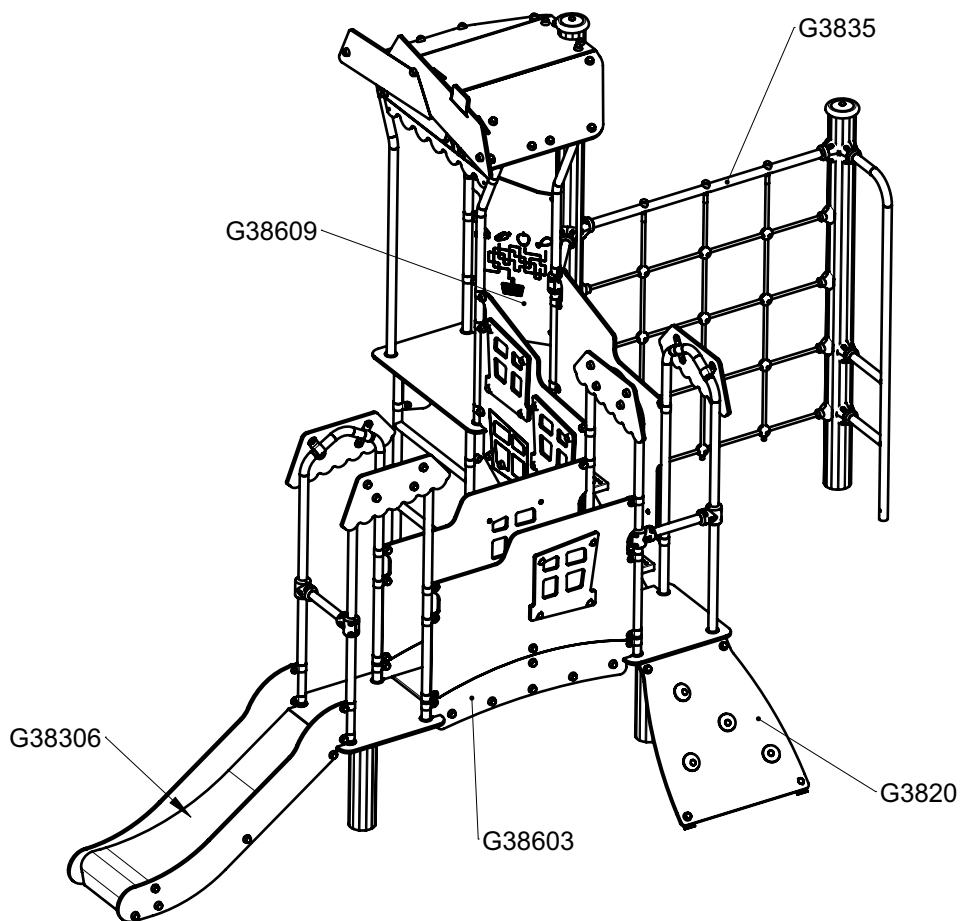
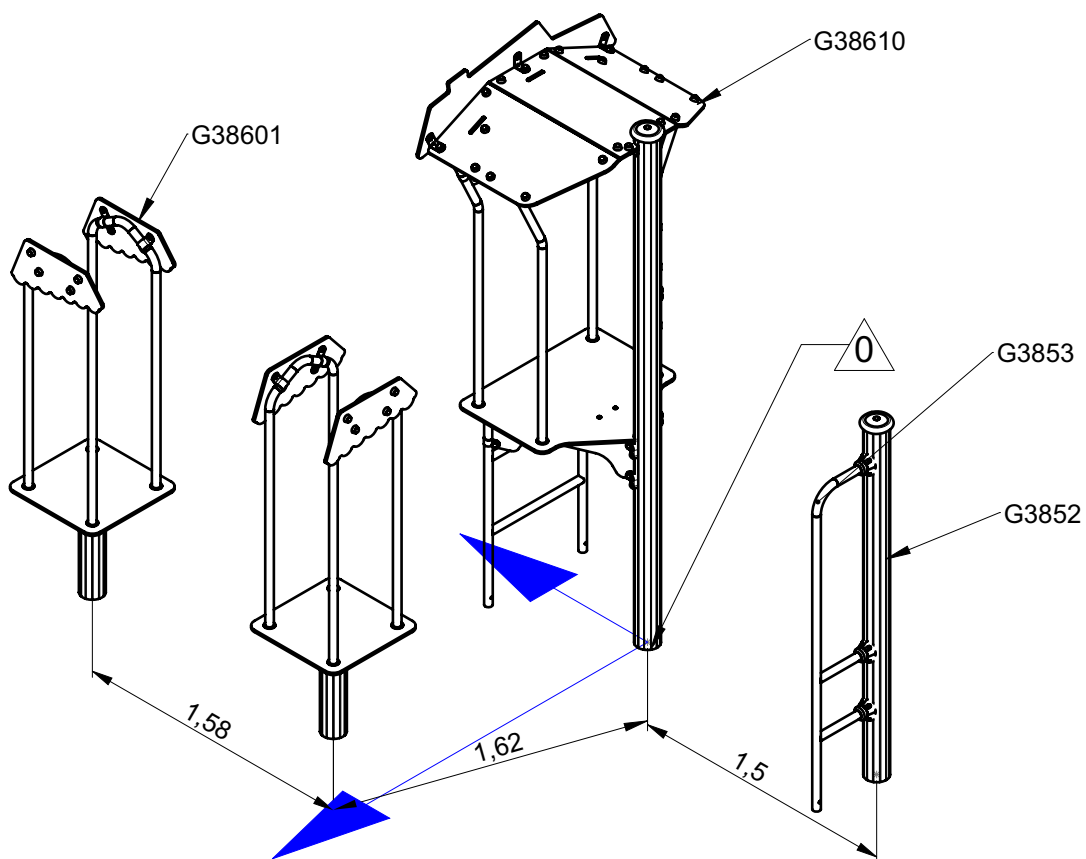
Implantation
 Footing plan
 Implantación
 Fundamentplan
 Funderingstekening

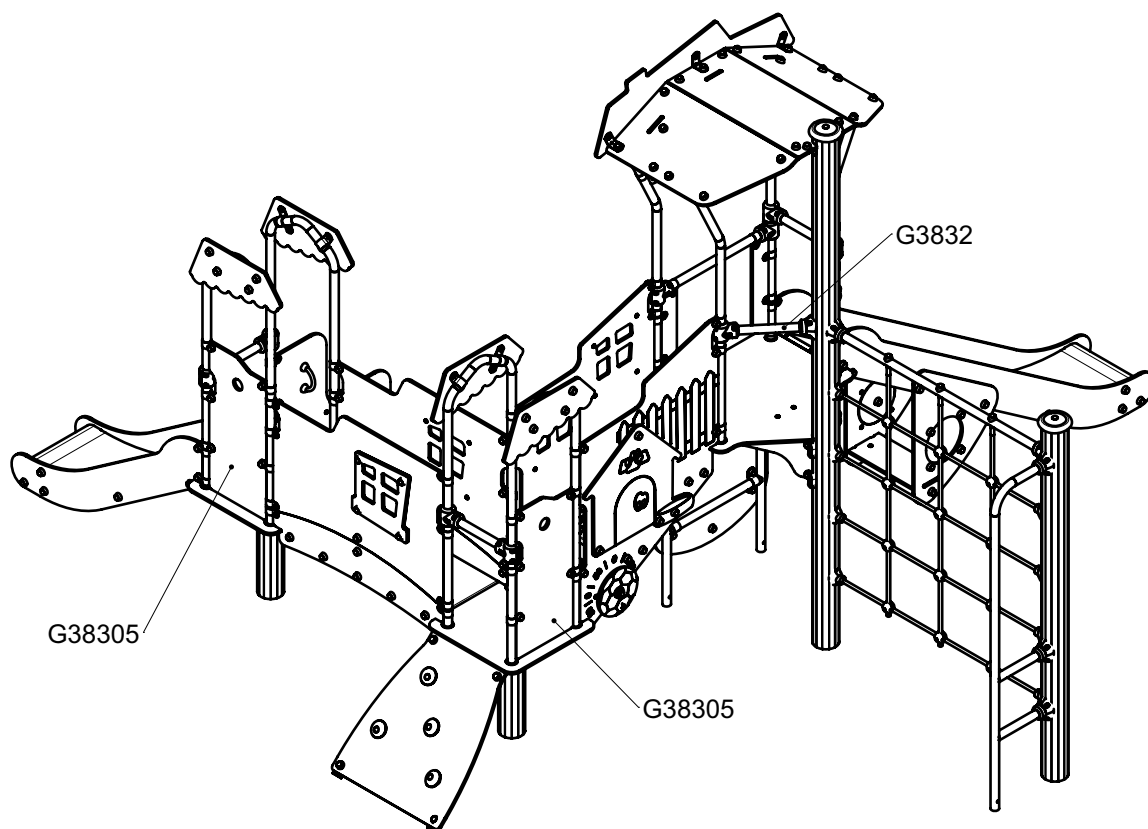
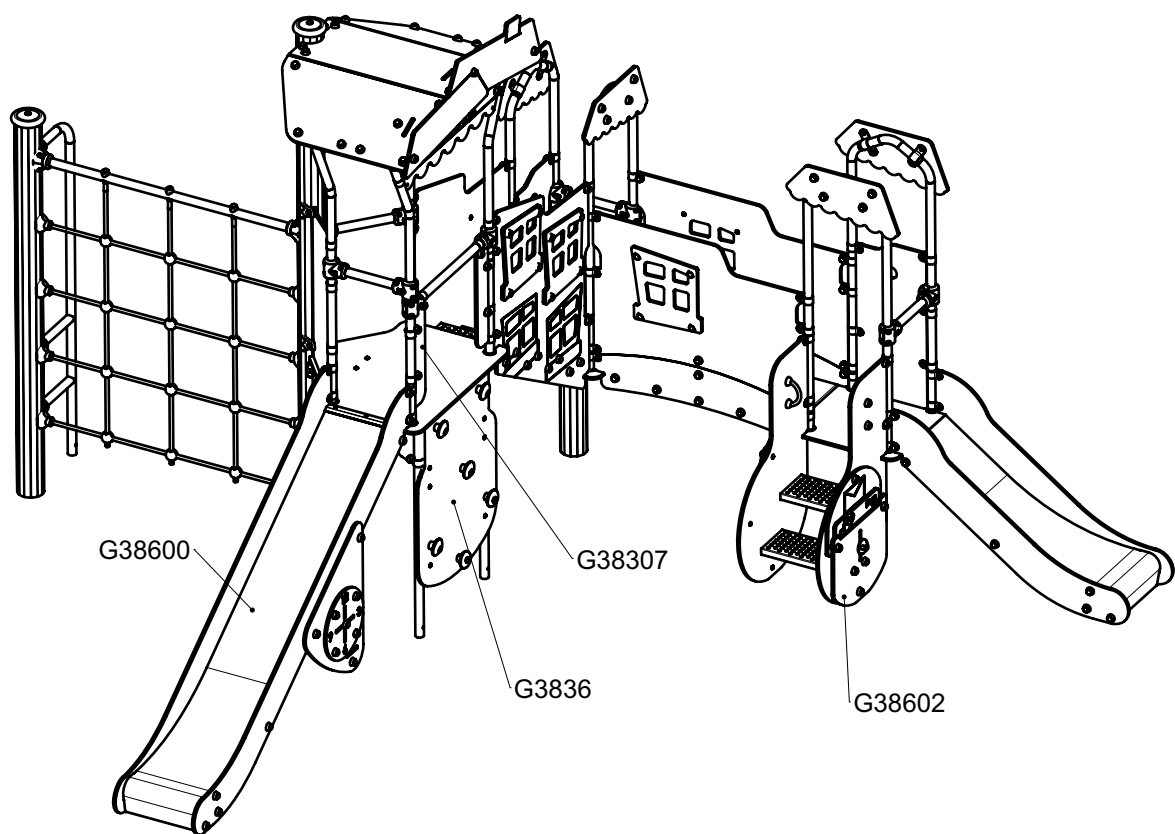


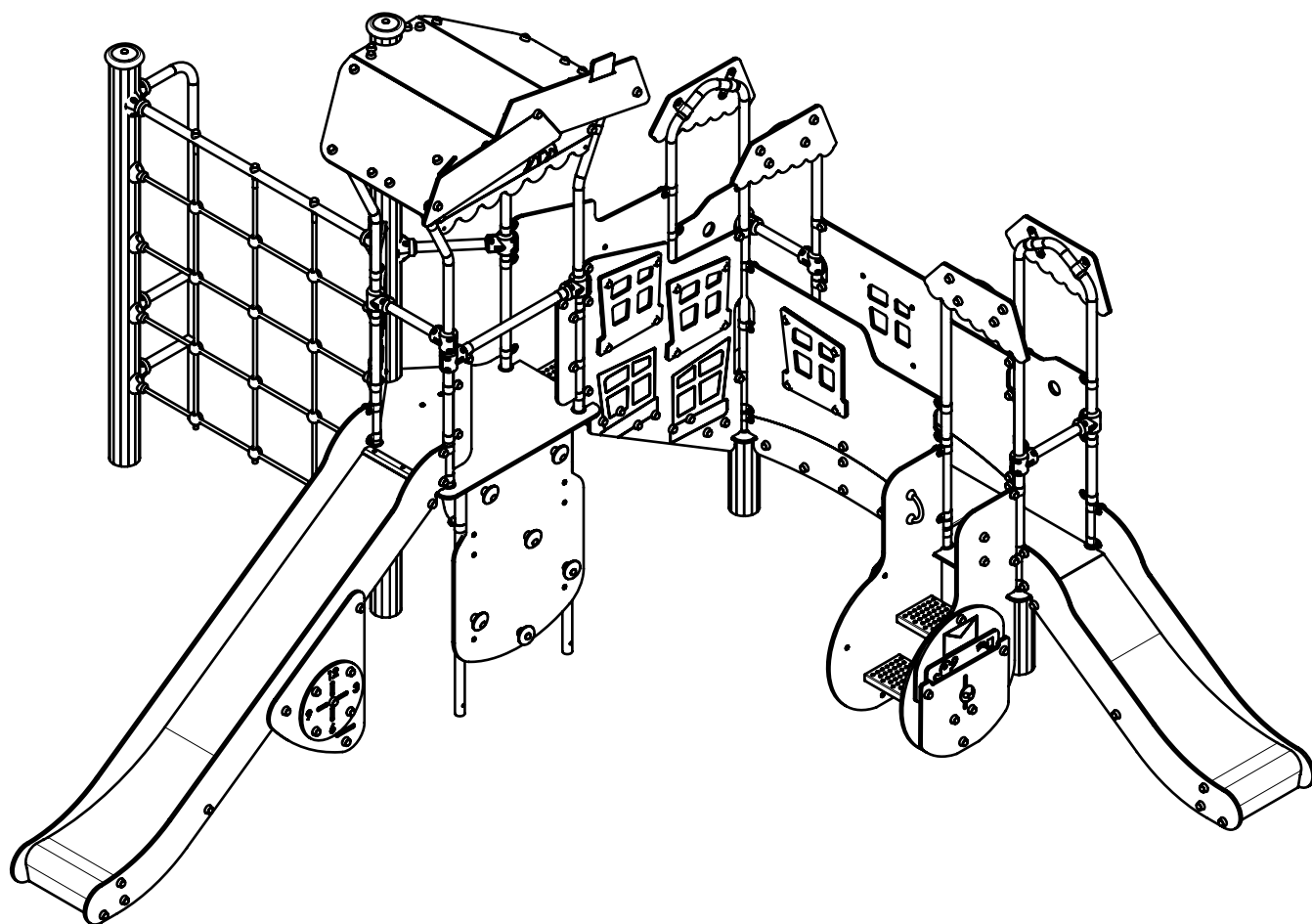
x2
 16H
 0.3 m³



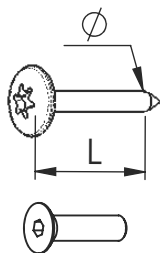
	x	y	z	w
	0.3	0.3	0.3	0.6
	0.3	0.3	0.3	0.6
	0.4	0.4	0.3	0.6







Réf	Qté
G3820	1
G3832	1
G3835	1
G3836	1
G38601	2
G3853	1
G38305	2
G38306	1
G38307	1
G38600	1
G38610	1
G38602	1
G38603	1
G38604	1
G38609	1
G3852B	1



VBT 6 x 30
 \varnothing \uparrow L (mm)

VFHC



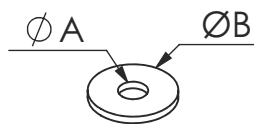
VEC M10
 \varnothing



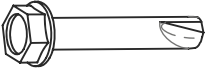
VEF




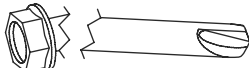
VEB



VR6x18
 $\varnothing A$ $\varnothing B$




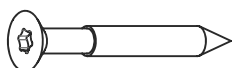
VTHA

1000 - 1800 tr/min
 Vitesse de rotation
 Rotation speed

14 N.m
 Couple de rupture
 Torque of break

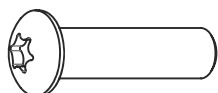




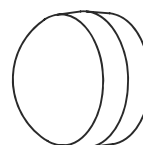
VWT



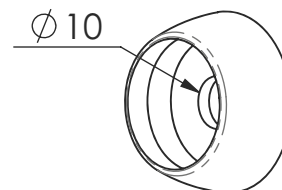
VGC



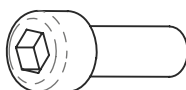
VCBHC



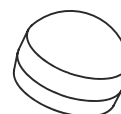
M10 440N



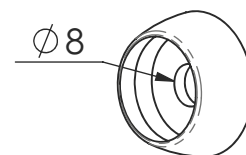
M10 310 N



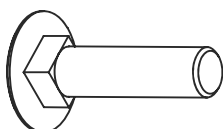
VBTR



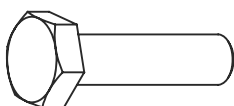
M8440N



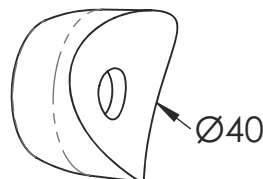
M8310N



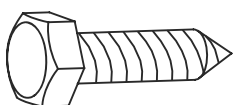
VTRCC



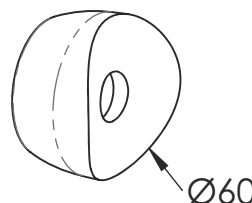
VTH



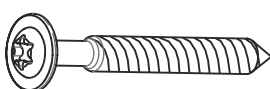
MI2503



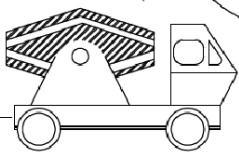
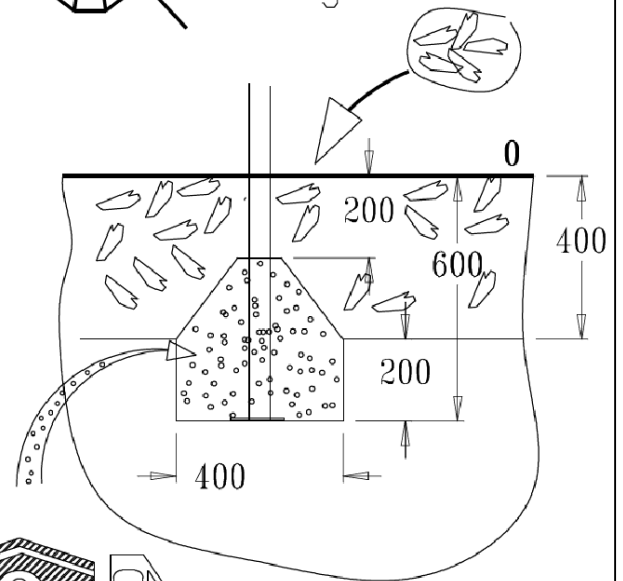
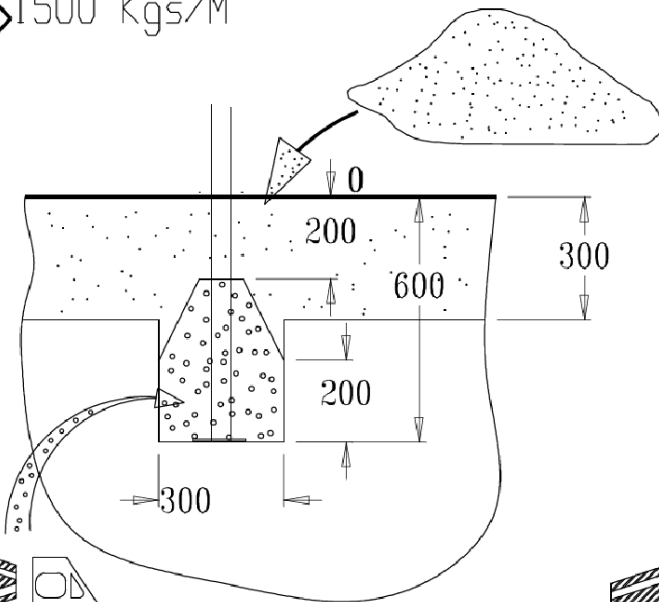
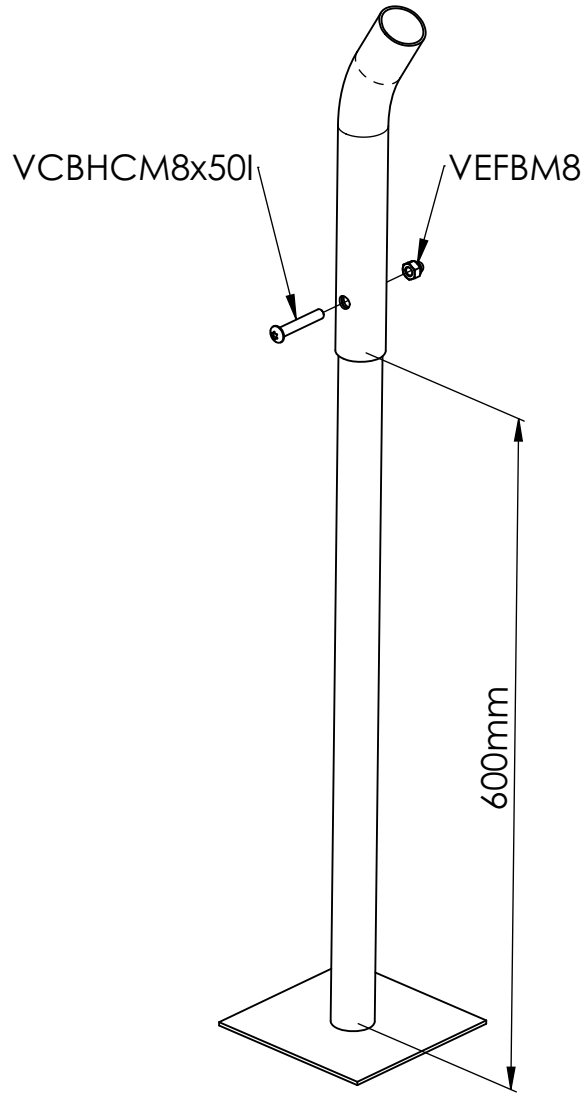
VTF



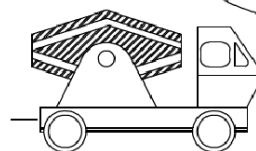
MI2701



VBT



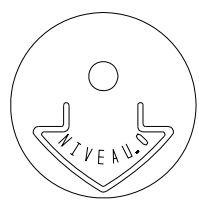
50 Kgs



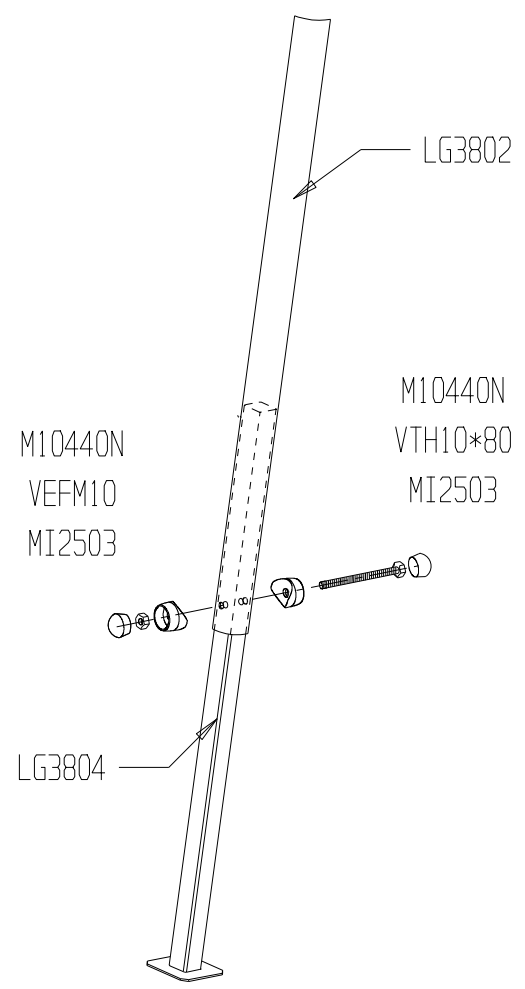
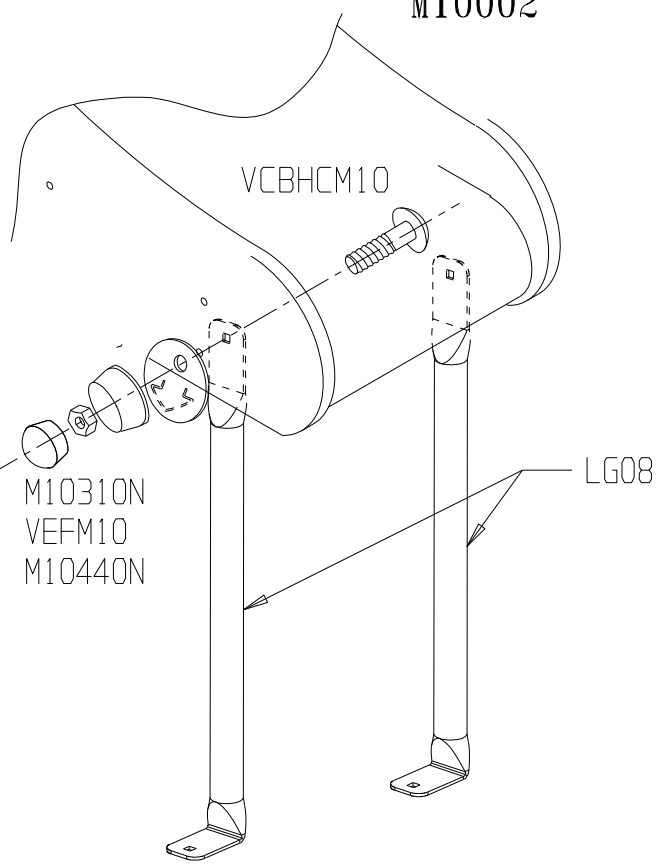
90 Kgs

A

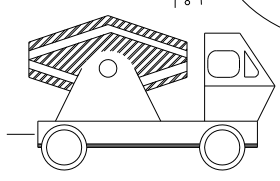
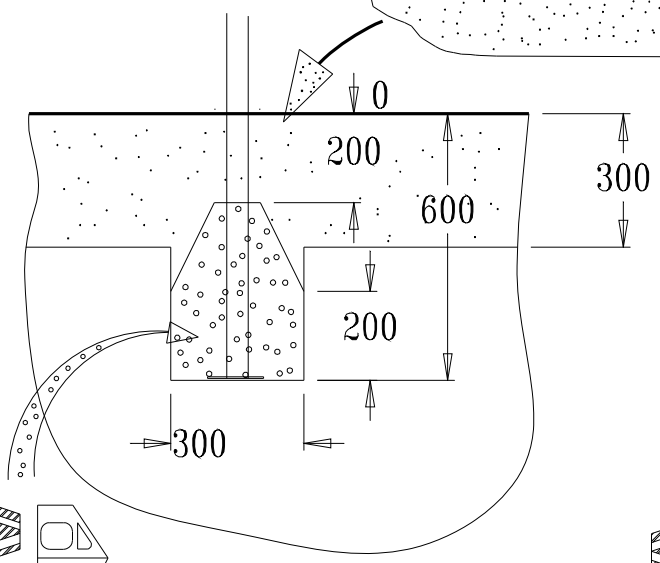
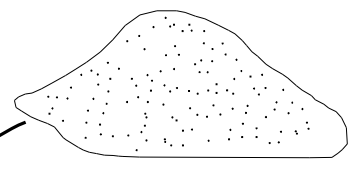
Proludic



MI0002



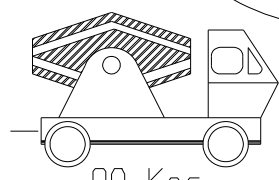
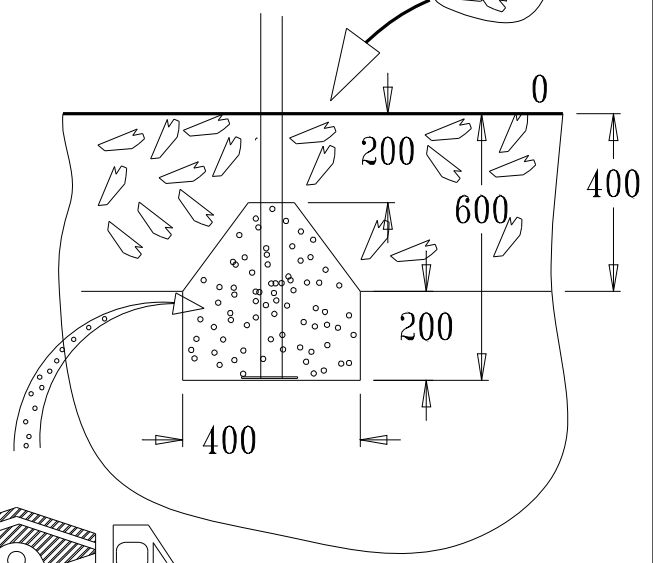
> 1500 Kgs/M³



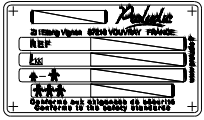
50 Kgs



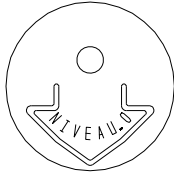
< 1500 Kgs/M³



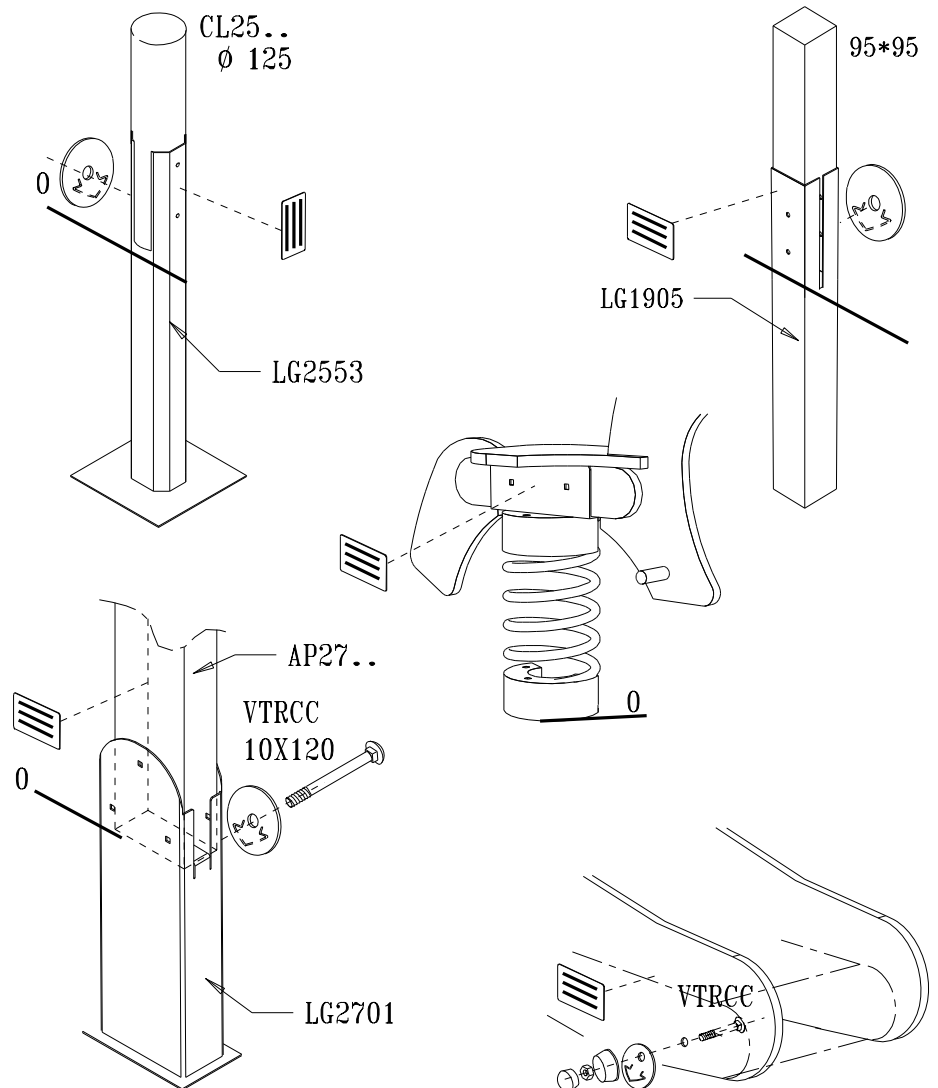
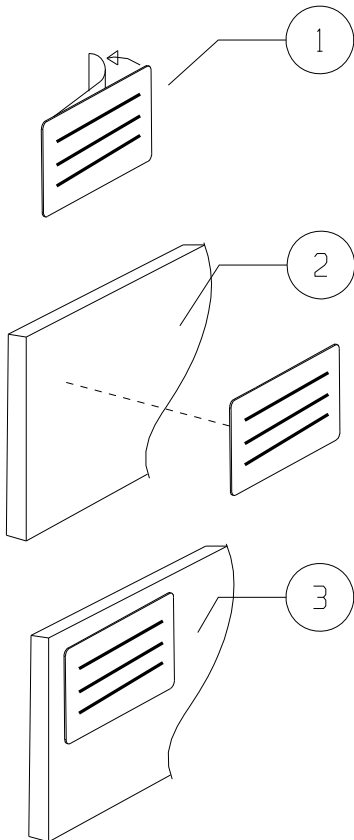
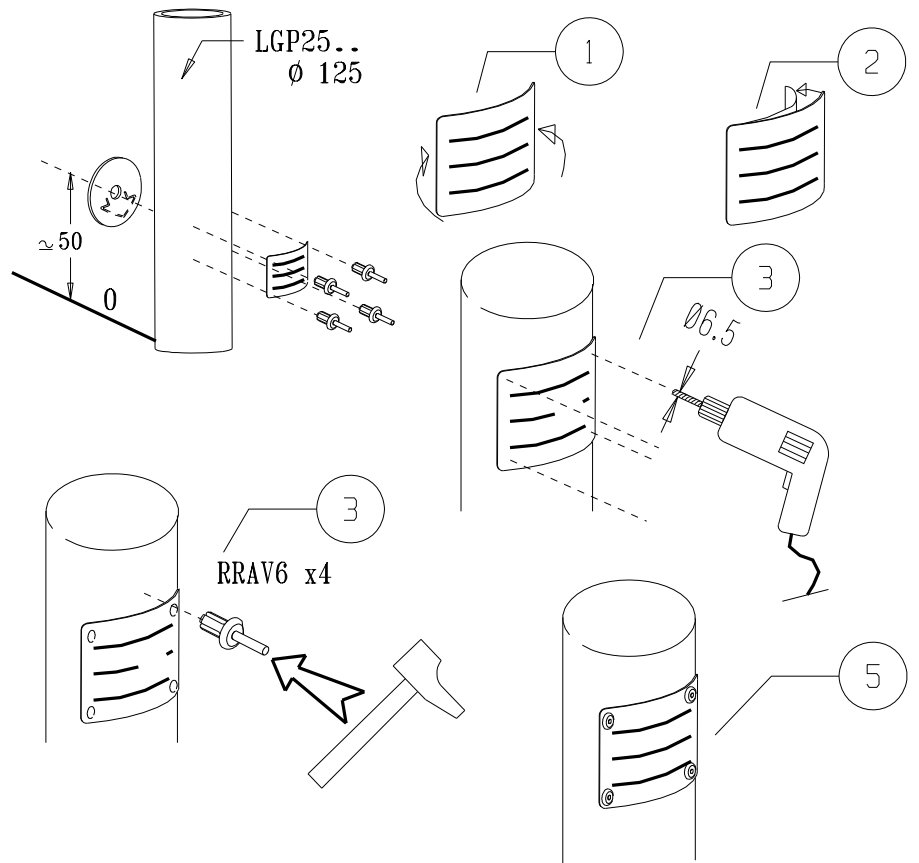
90 Kgs

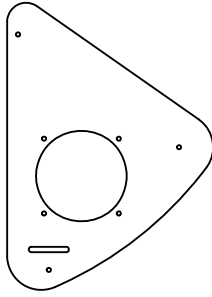
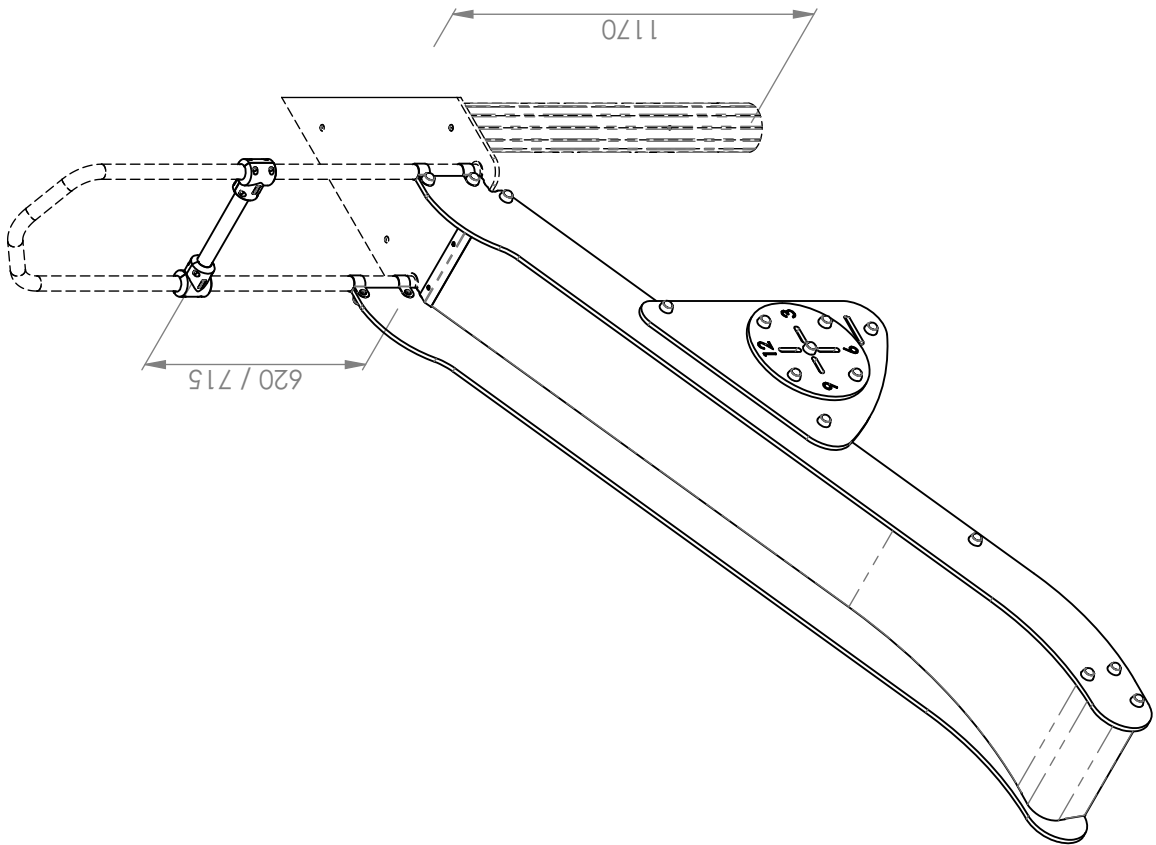


LA000

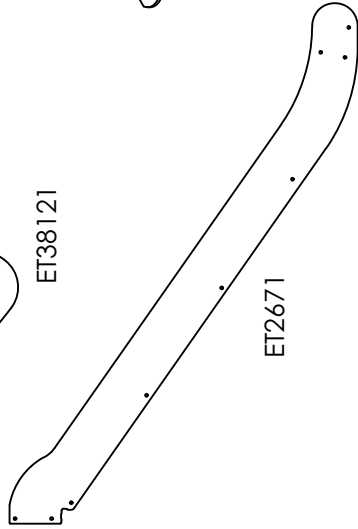


MI0002





ET38121



ET2671



MI2502



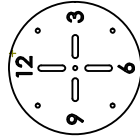
P13



MU4700



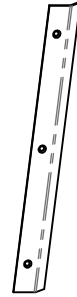
LI4505



ET38610



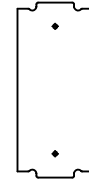
ET38601



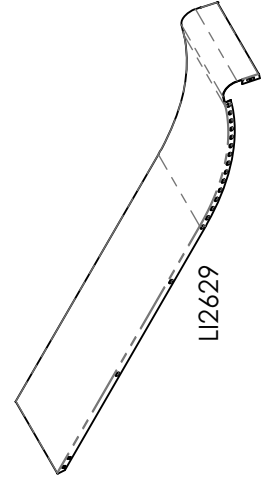
LI9204



LI3838



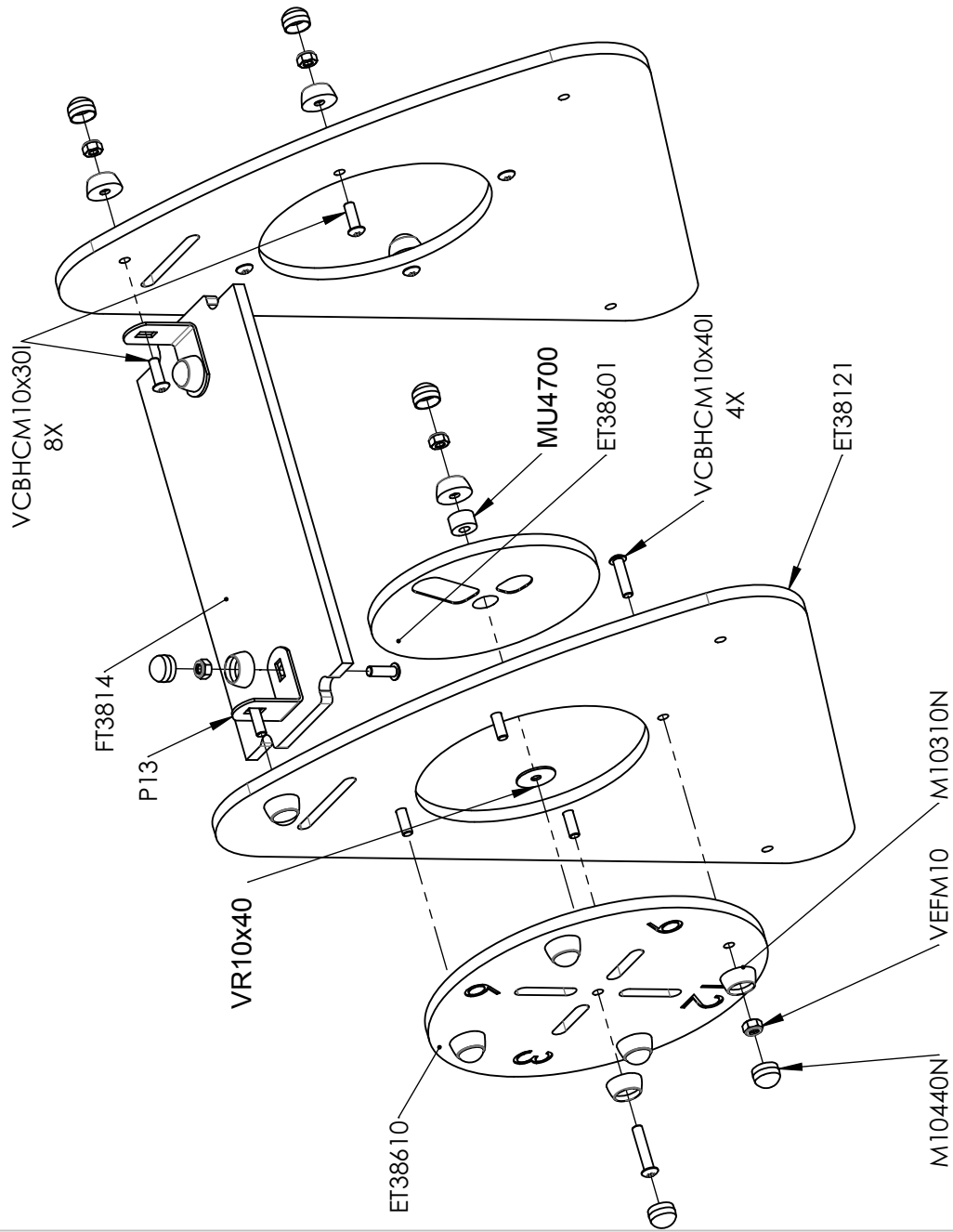
FT3814



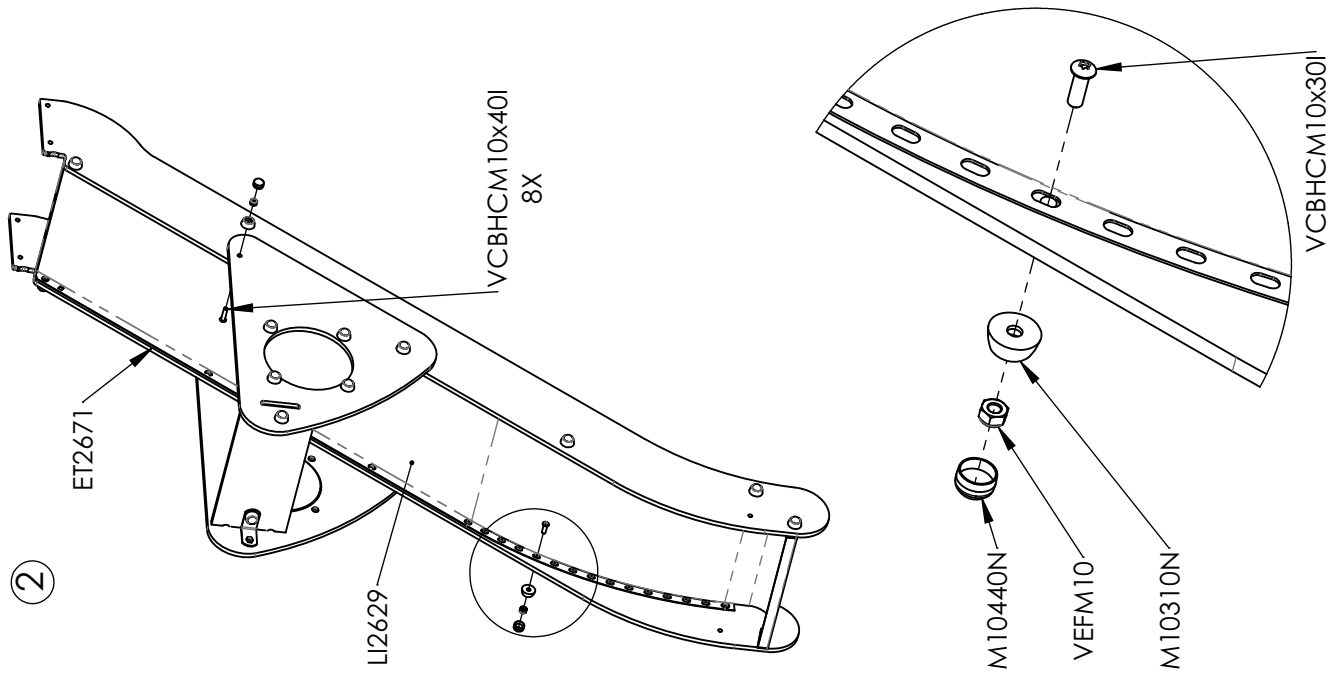
LI2629

Référence	Qté
LI2629	1
ET2671PL	2
LI4505	4
VCBHCM10x30I	22
VCBHCM6x25I	8
VCBHCM10x40I	8
VCBHCM10x50I	1
M10310N	32
VEFM10	31
VEFM5	3
M10440N	32
LI3838	1
MI2502N	4
VEBM6	8
M8310N	3
M8440N	3
LI9204	1
VFHCM5x30	3
ET38121PL	2
FT3814	1
P13	2
ET38610L	1
MU4700	1
ET38601J	1
VR10x40	1
VR6x18	3

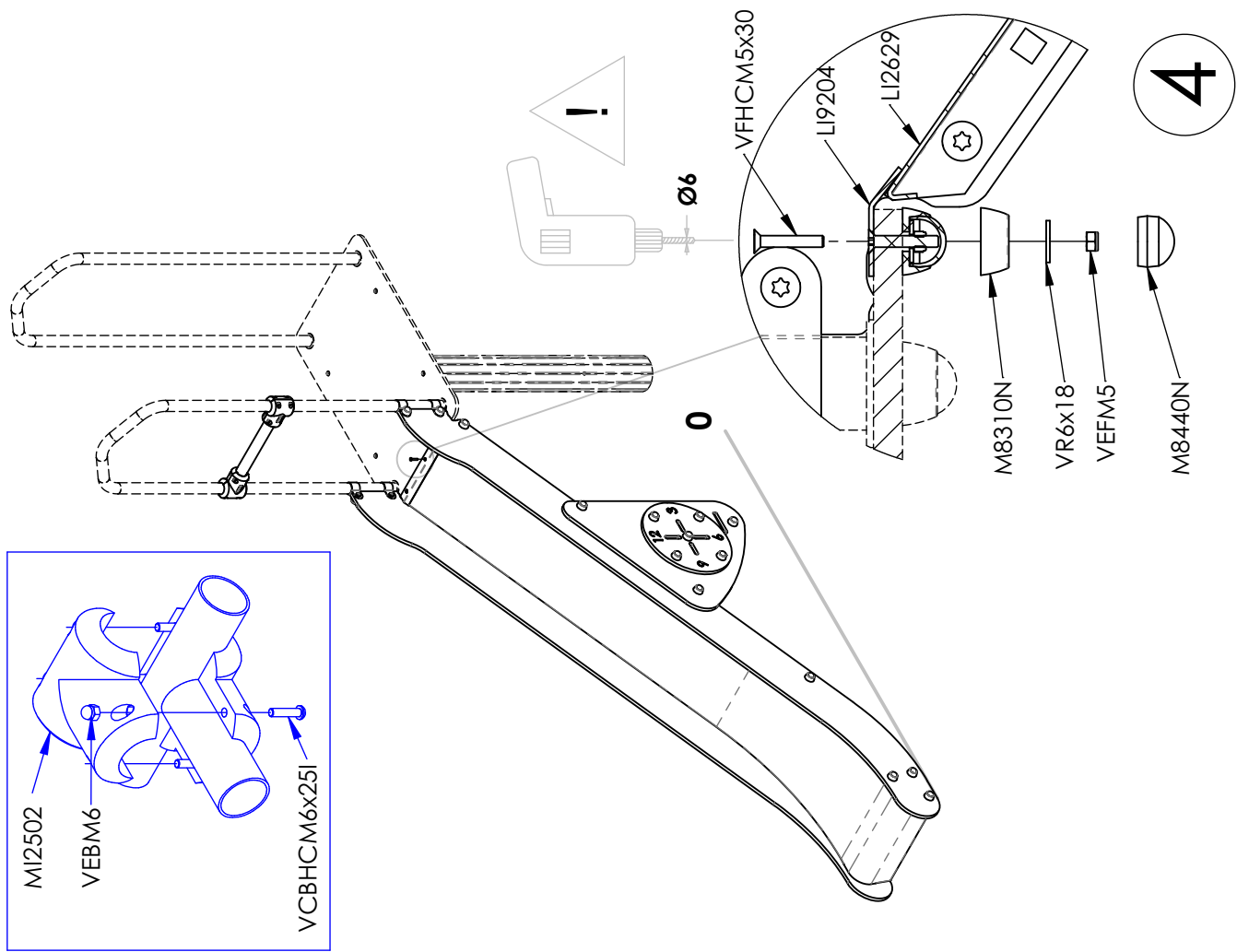
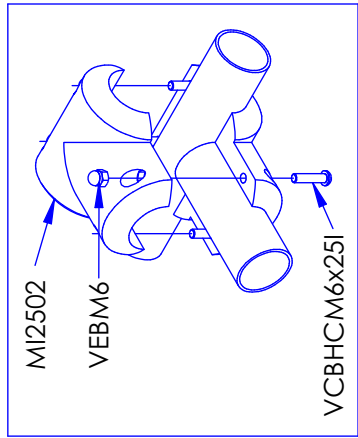
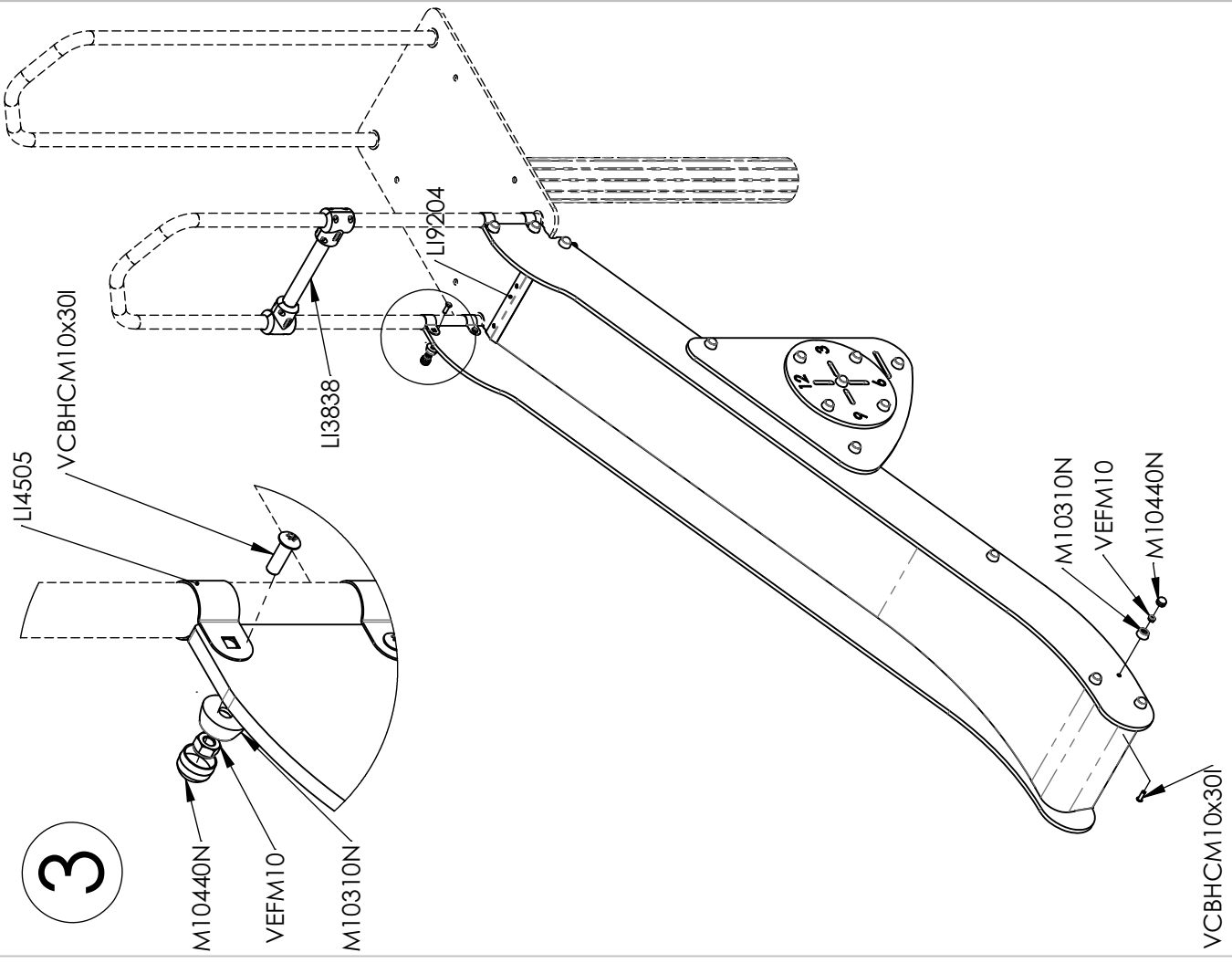
①



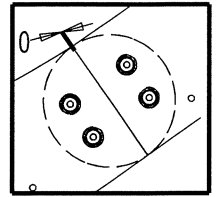
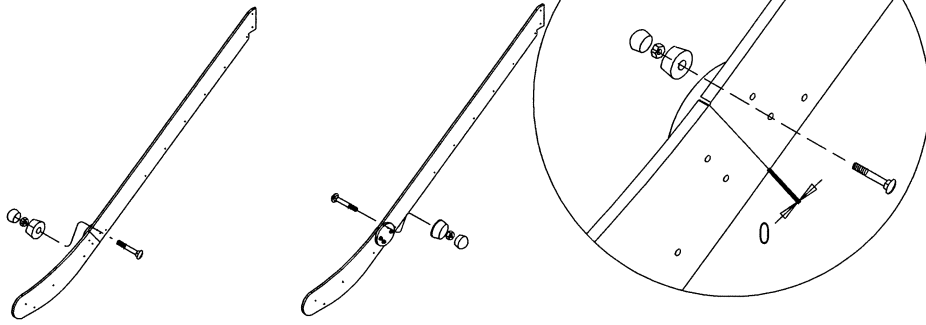
②



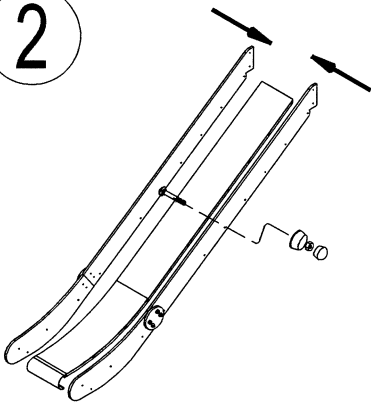
3



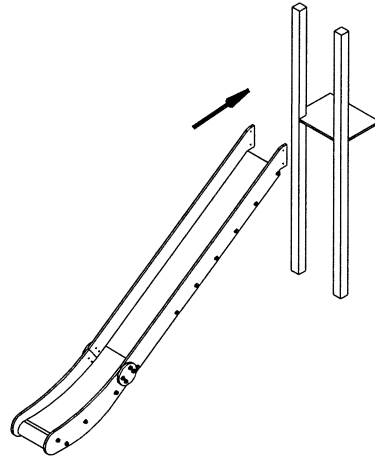
1



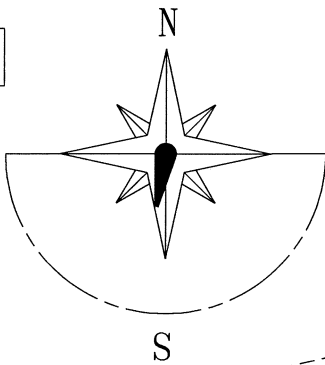
2



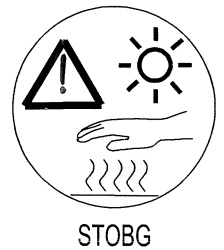
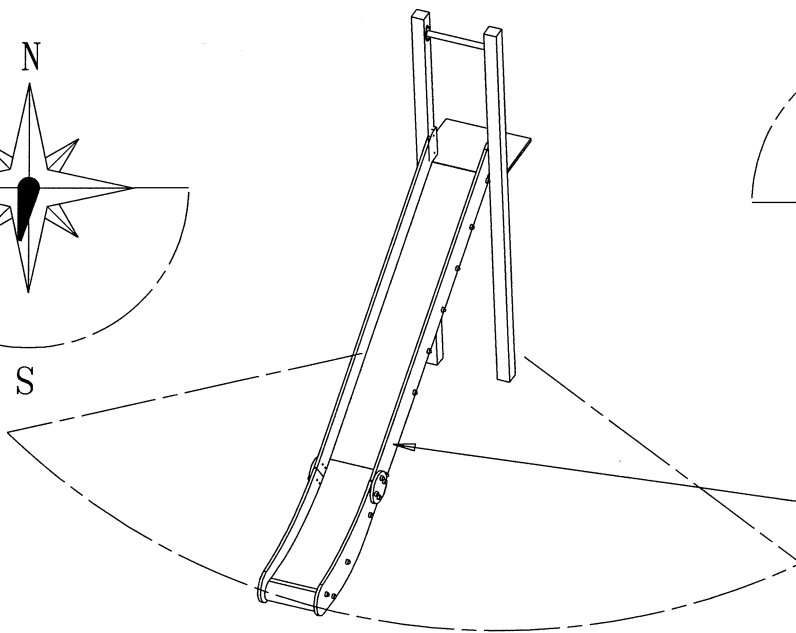
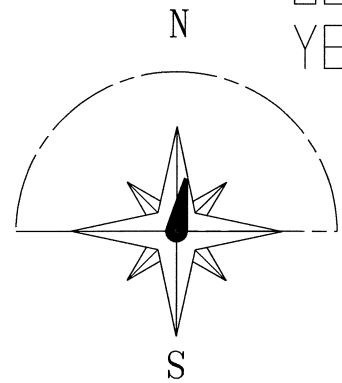
3



NON
NO

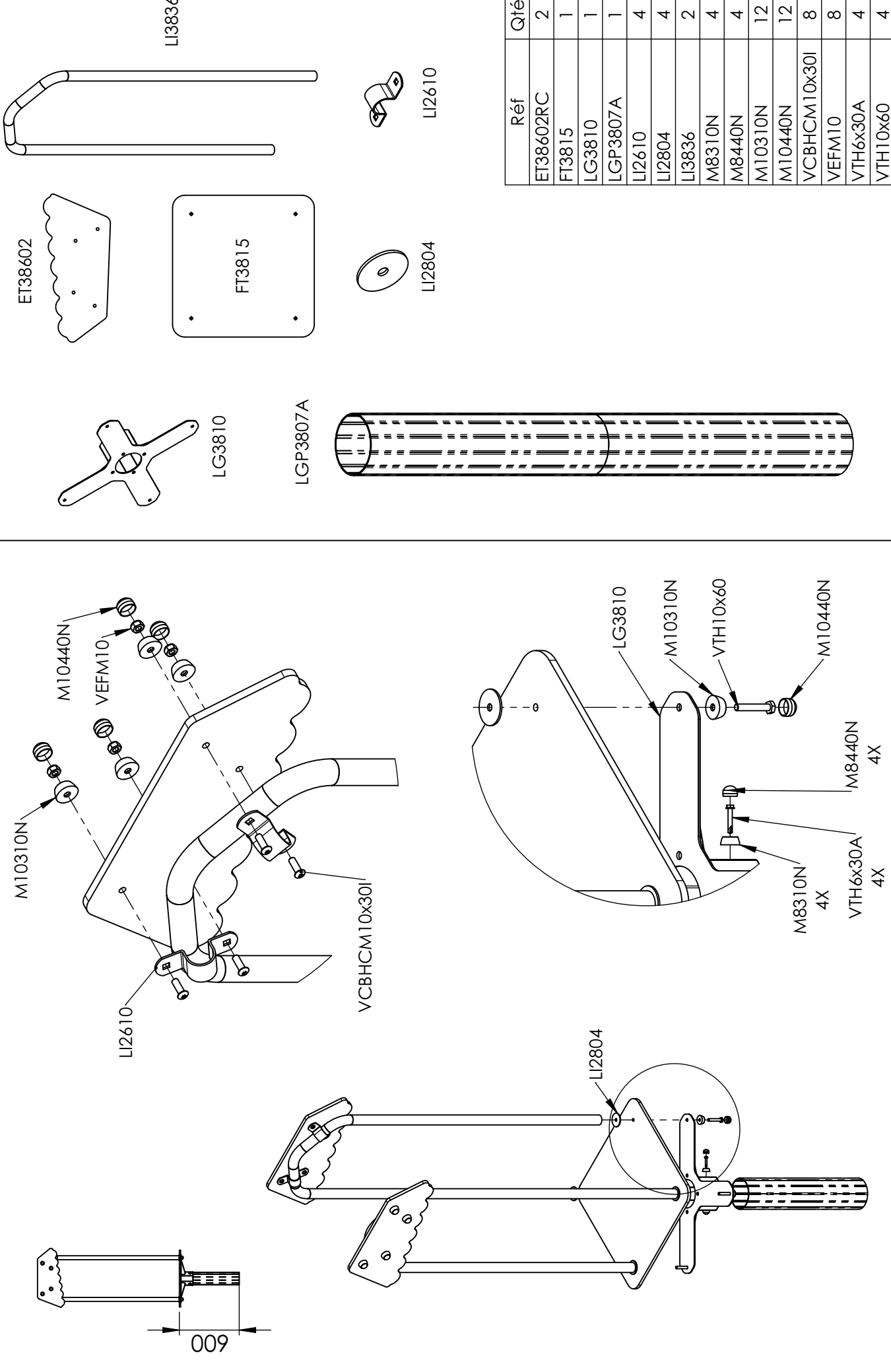


OUI
YES

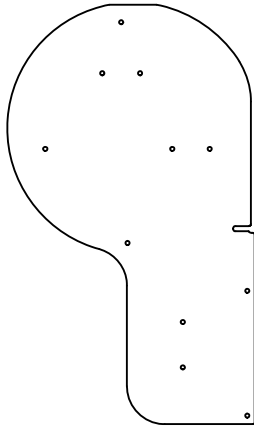
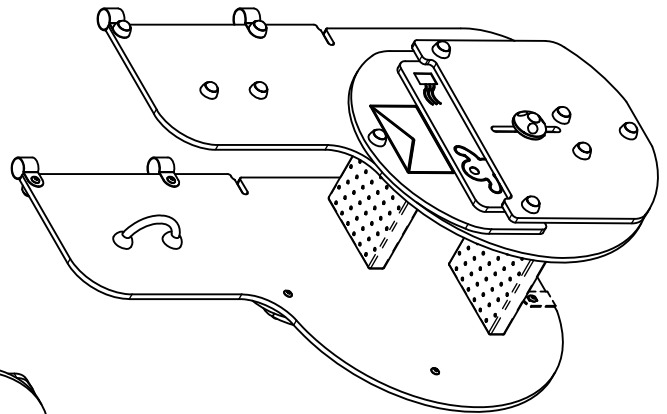
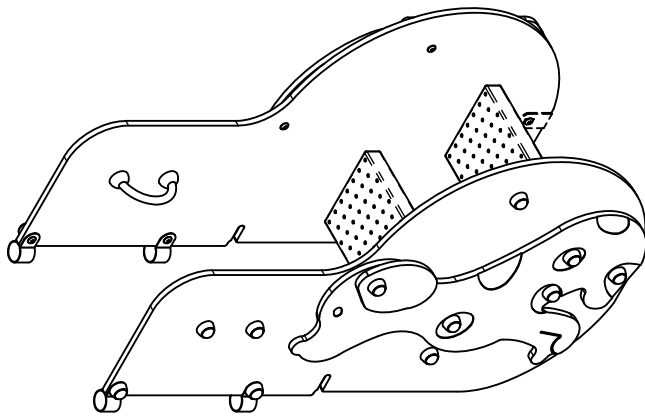


FR

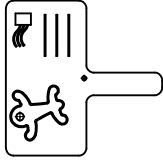
Il est recommandé de ne pas orienter la glissière Sud / Sud Ouest



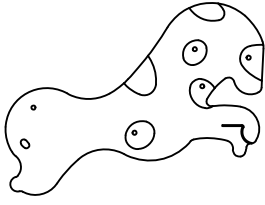
Réf	Qté
ET38602RC	2
FT3815	1
LG3810	1
LGP3807A	1
LI2610	4
LI2804	4
LI3836	2
M8310N	4
M8440N	4
M10310N	12
M10440N	12
VCBHC10x30I	8
VEFM10	8
VTH6x30A	4
VTH10x60	4



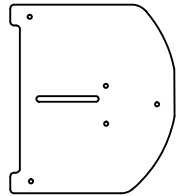
ET38122



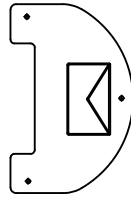
ET38618



ET38614



ET38616



ET38617



ET38615



MI323J



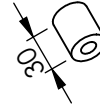
MI800



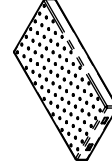
LI47102



MU4700



MU3908

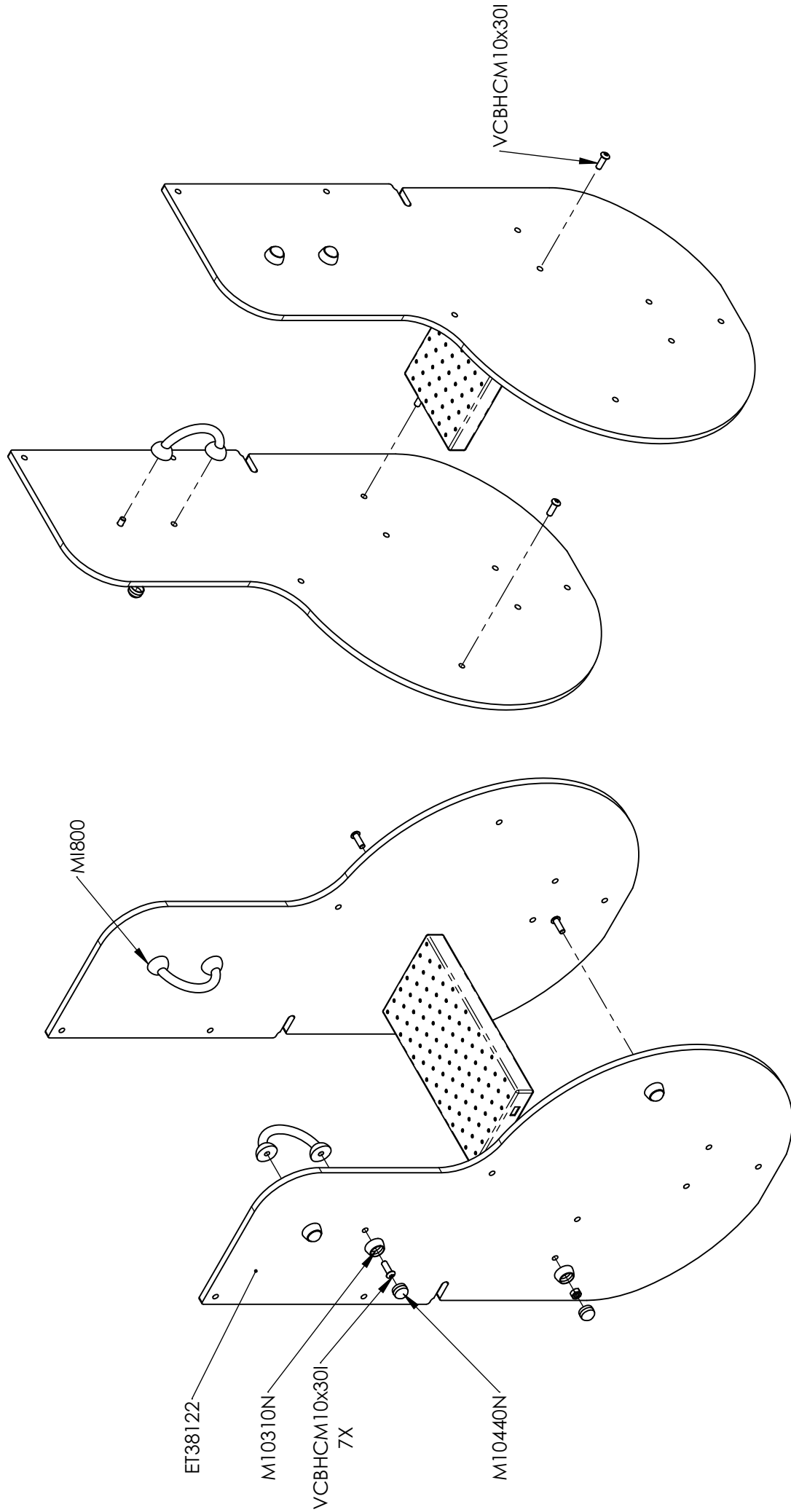


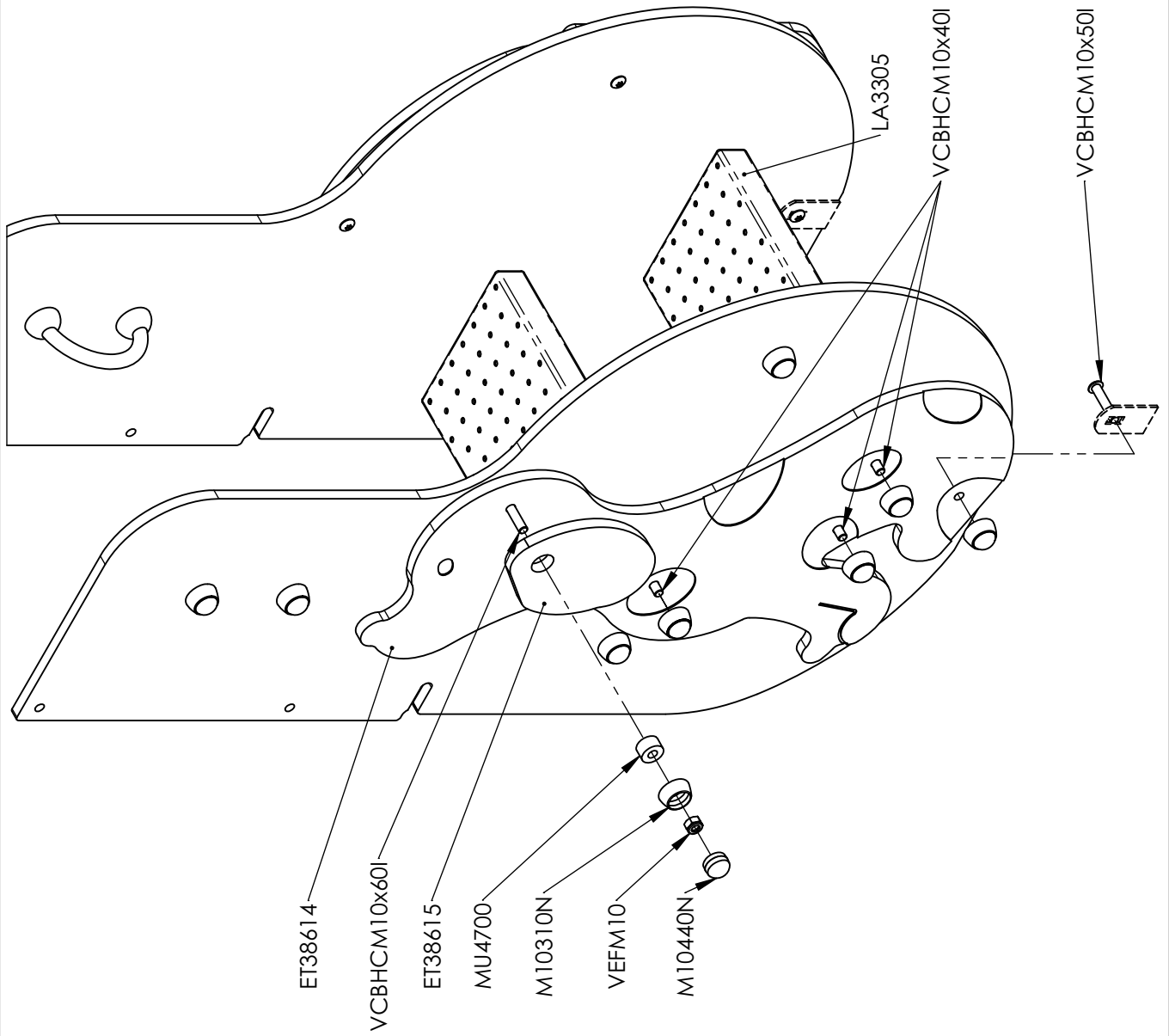
LA3305

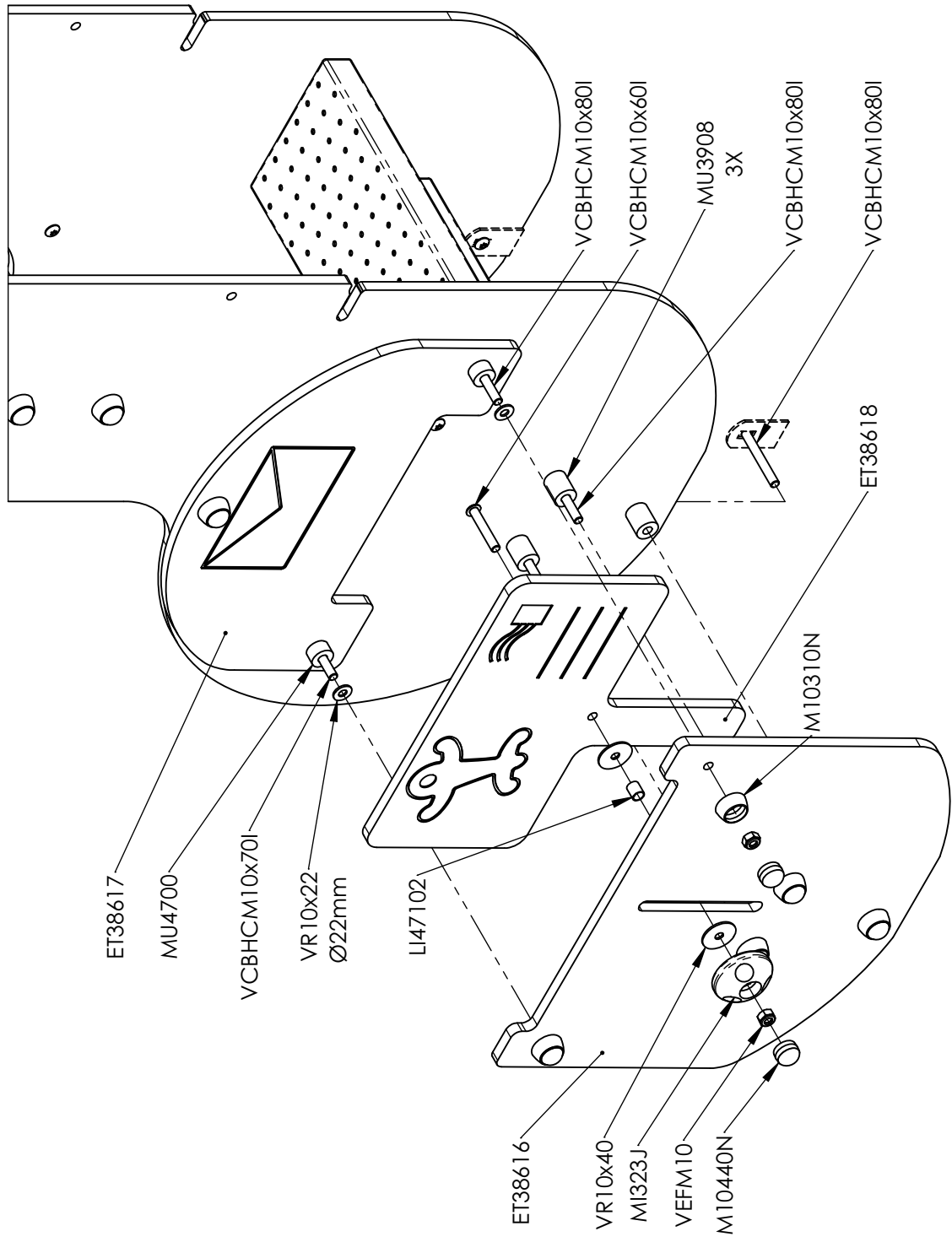


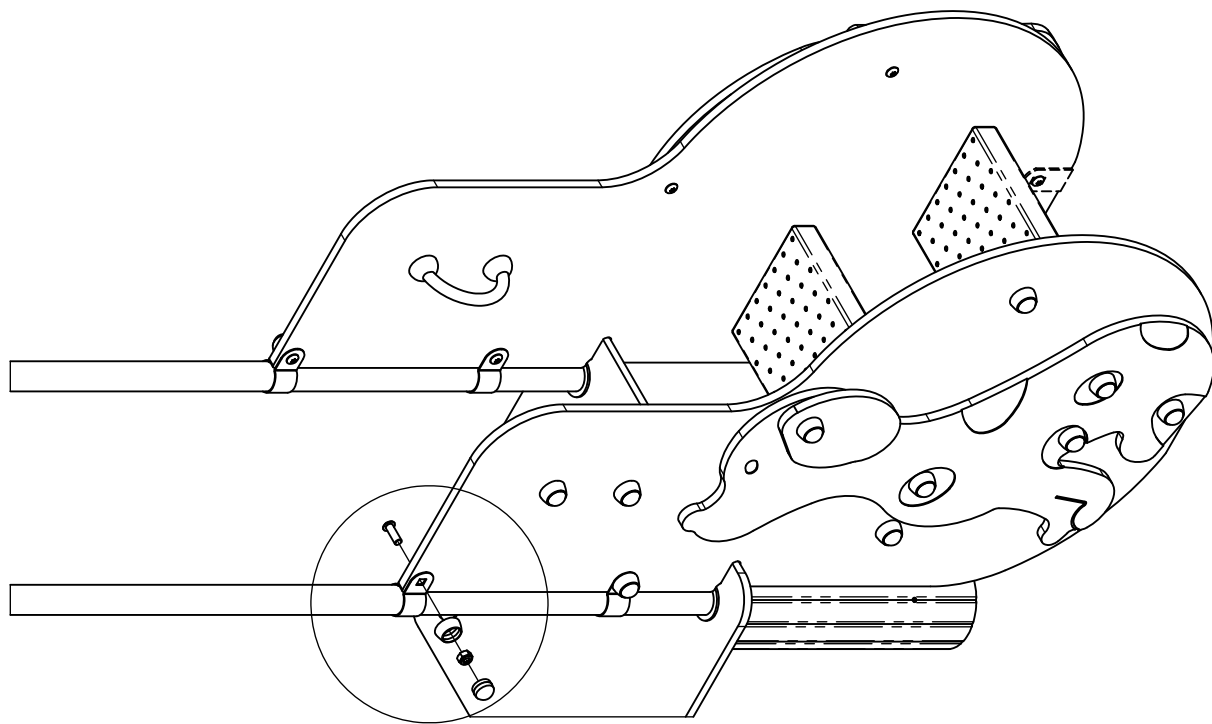
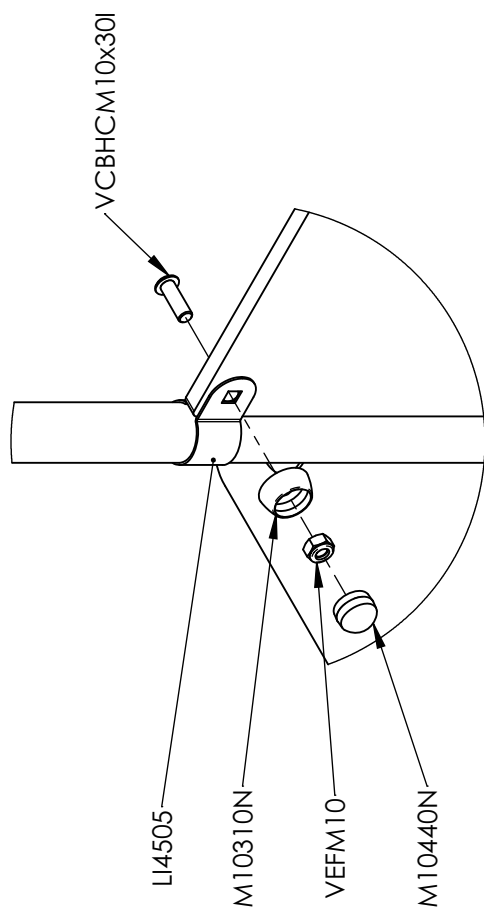
LI4505

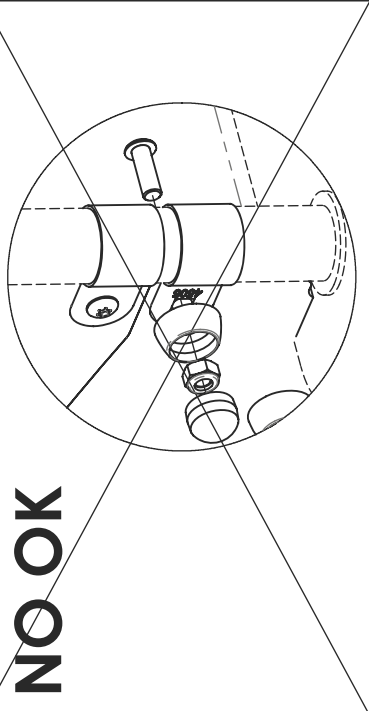
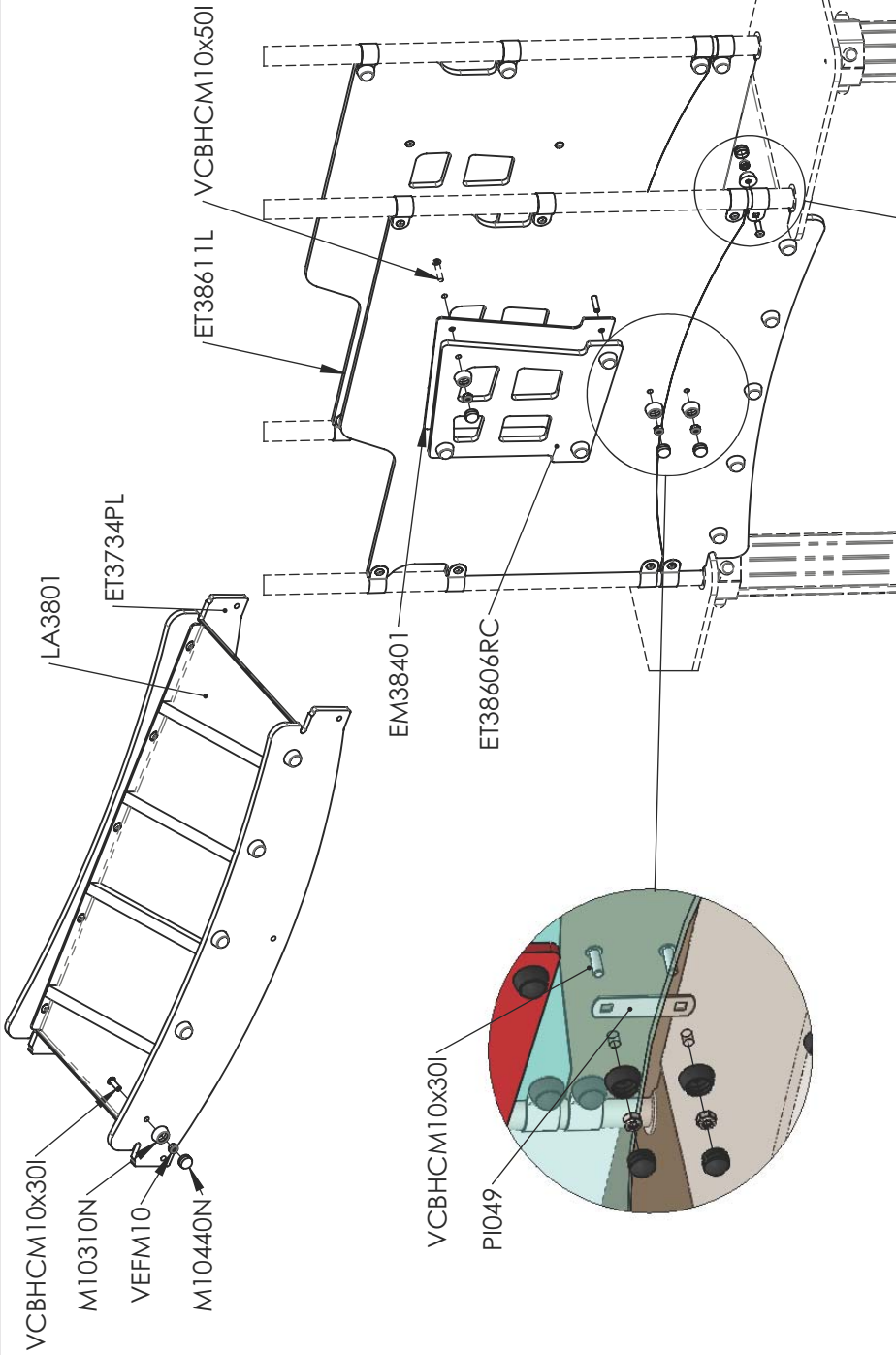
Réf	Qté
ET38122PL	2
ET38614RC	1
ET38615RC	1
ET38616J	1
ET38617J	1
ET38618L	1
LA3305	2
LI4505	4
LI47102	1
M10310N	21
M10440N	22
MI323J	1
MI800	2
MU3908	3
MU4700	3
VCBHC M10x30I	11
VCBHC M10x40I	4
VCBHC M10x50I	1
VCBHC M10x60I	2
VCBHC M10x70I	1
VCBHC M10x80I	4
VEFM10	19
VR10x22	2
VR10x40	2



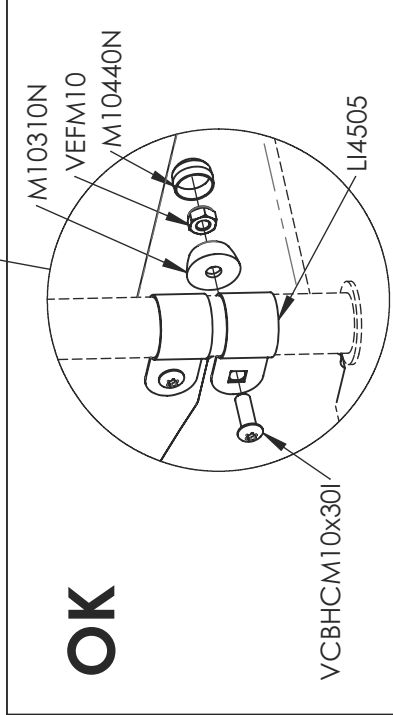




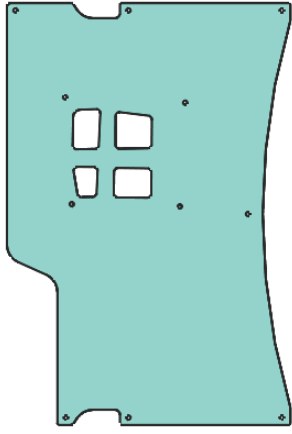




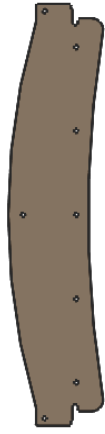
NO OK



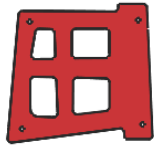
OK



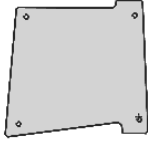
ET38611L



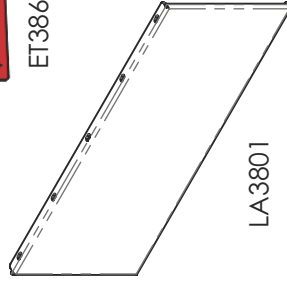
ET3734PL



ET38606RC



EM38401

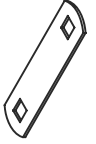


LA3801

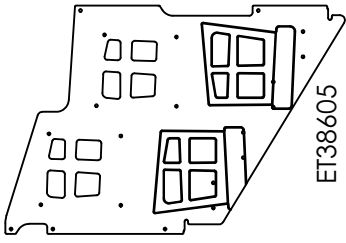
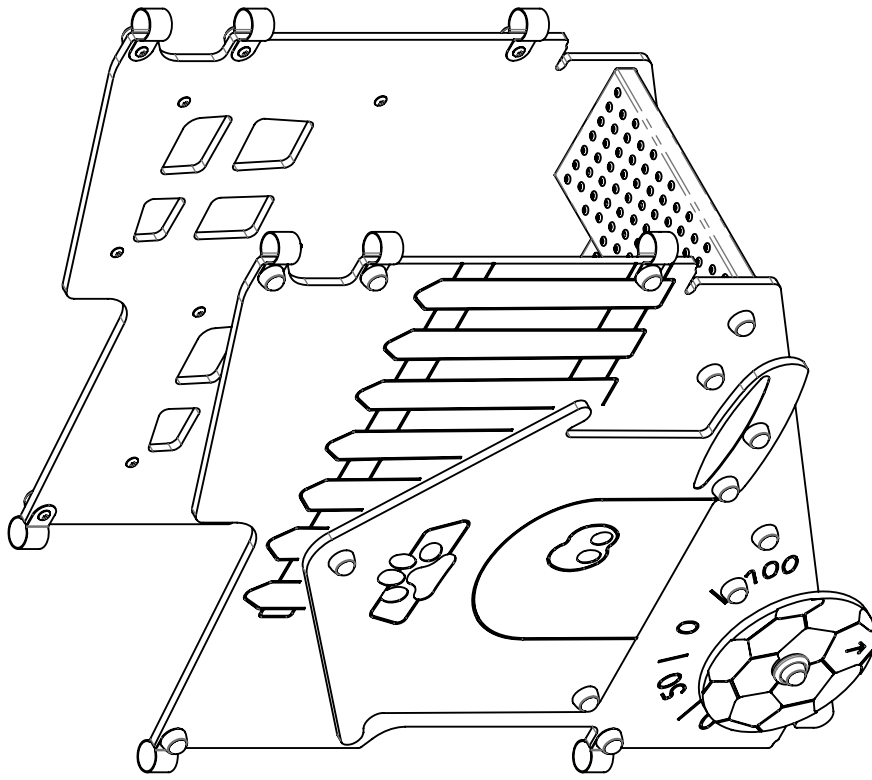
LI4505



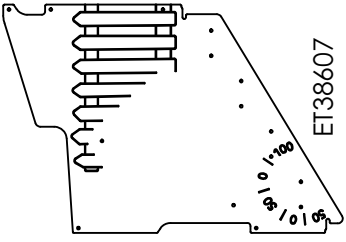
PI049



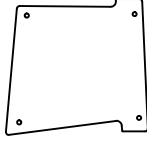
Réf	Qté
EM38401	2
ET3734PL	2
ET38606RC	2
ET38611L	2
LA3801	1
LI4505	16
M10310N	38
M10440N	38
PI049	2
VCBHCM10x30I	30
VCBHCM10x50I	8
VEFM10	38



ET38605



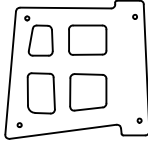
ET38607



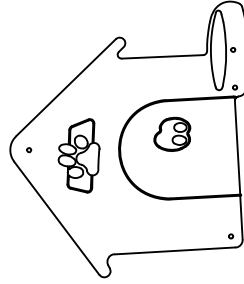
EM38401



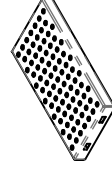
ET38609



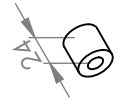
ET38606



ET38608



LA3305

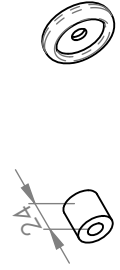


LI4505

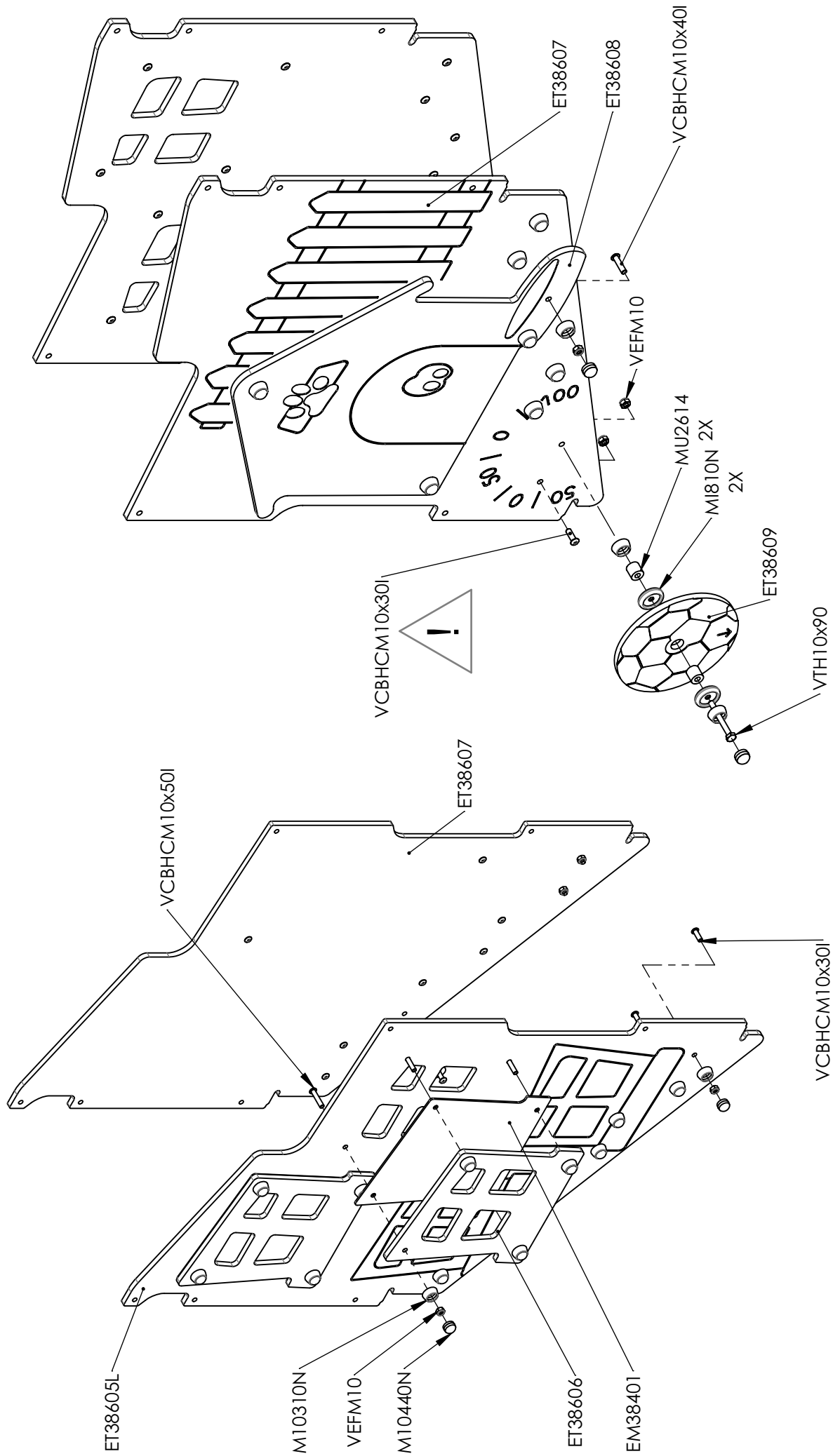


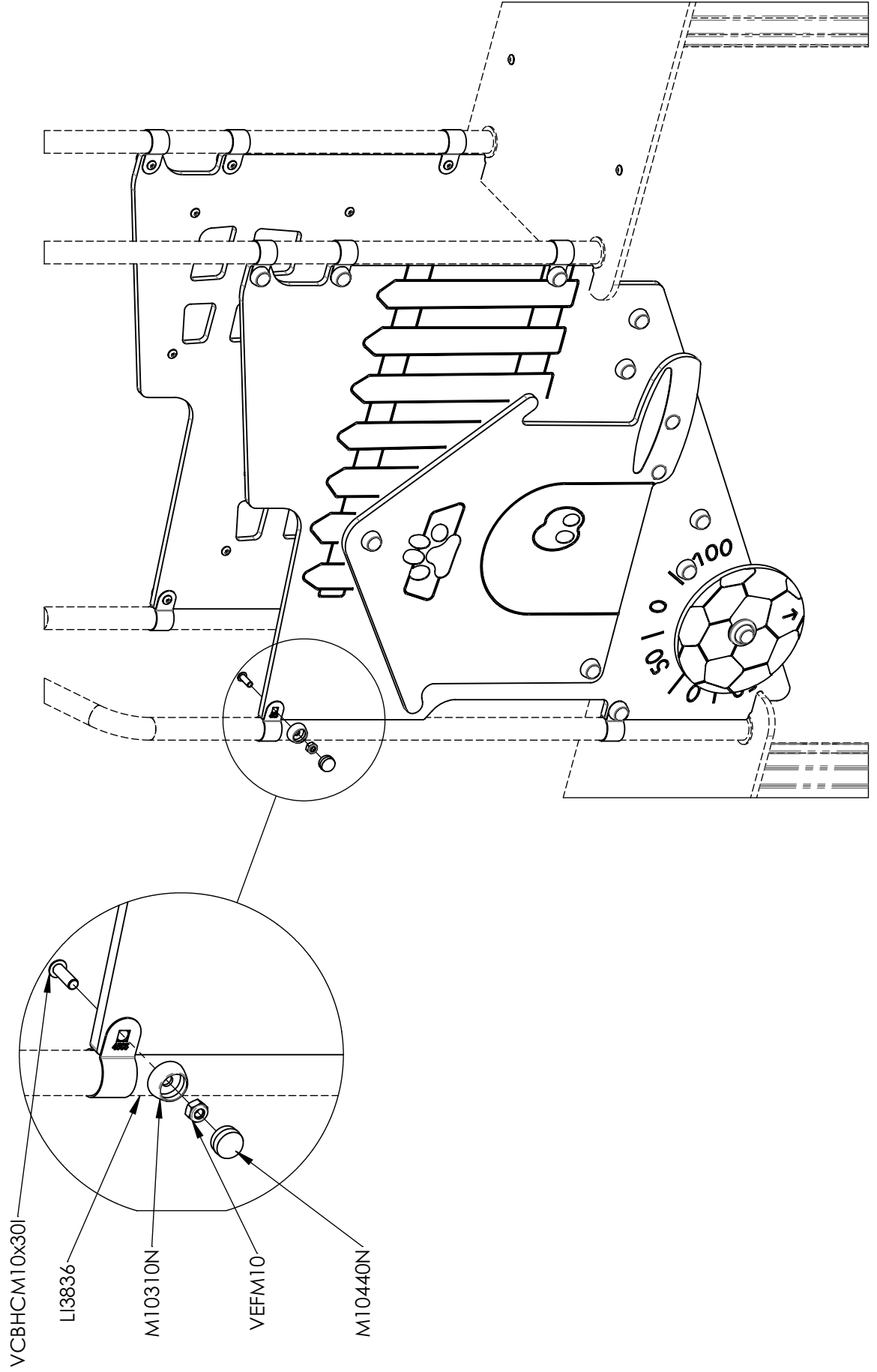
MI810N

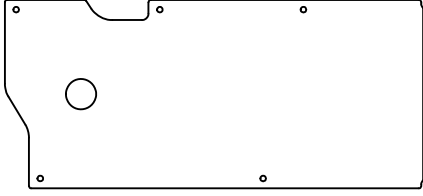
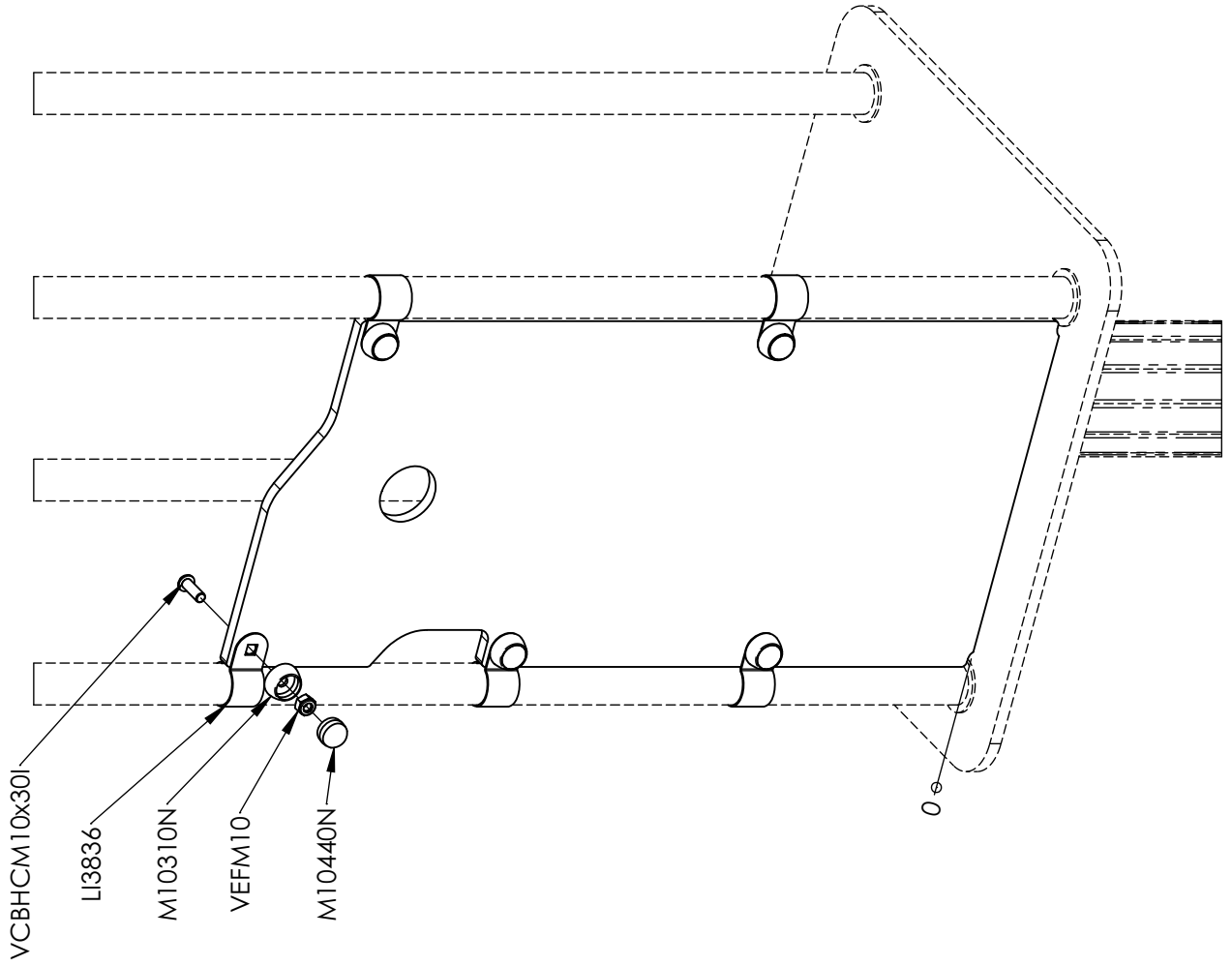
Réf	Qfé
EM38401	2
ET38605L	1
ET38606RC	2
ET38607L	1
ET38608RC	1
ET38609J	1
M10310N	36
M10440N	35
MI810N	2
MU2614	2
VCBHCMI0x30I	23
VCBHCMI0x40I	4
VCBHCMI0x50I	8
VEFM10	36
VTH10x90	1
LI4505	10
LA3305	4



MU2614





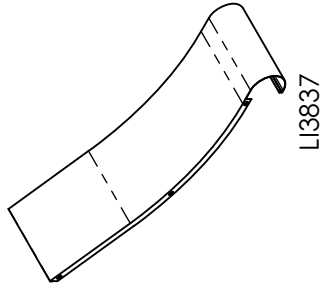
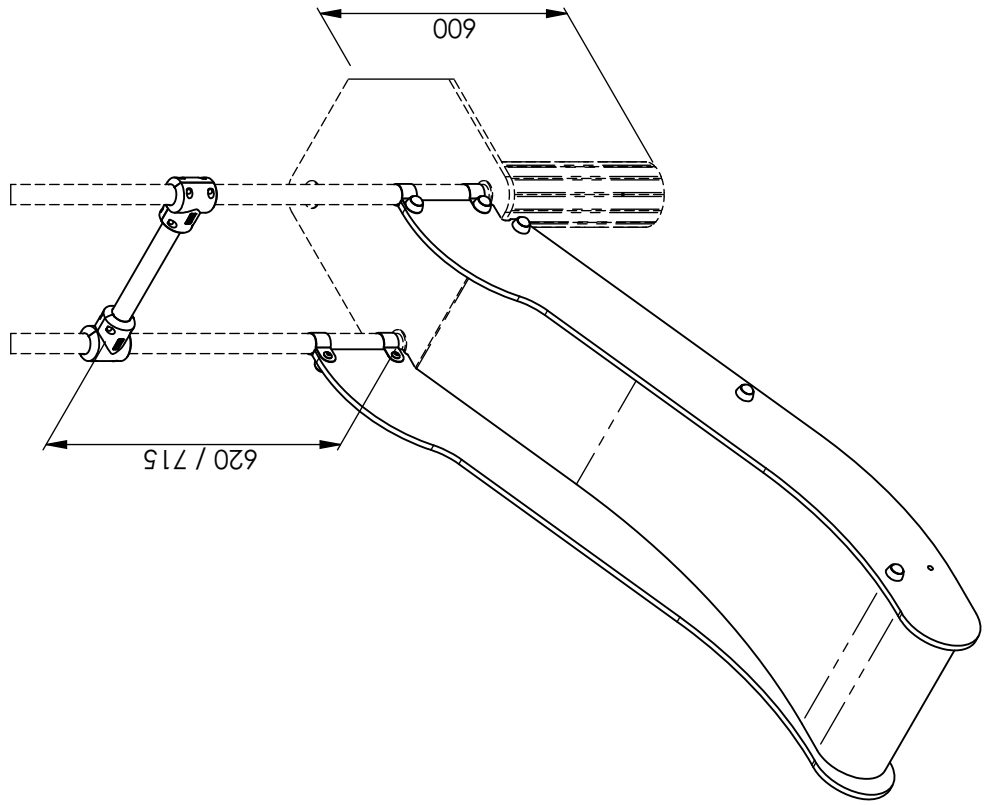


ET38123

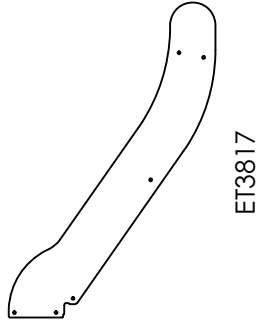


LI4505

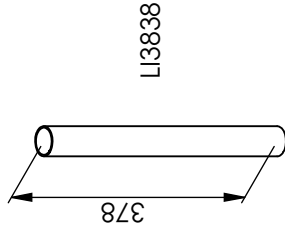
Réf	Qté
ET38123PL	1
LI4505	5
M10310N	5
M10440N	5
VCBHC10x30I	5
VEFM10	5



LI3837



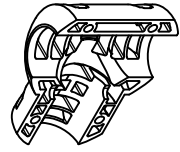
ET3817



LI3838



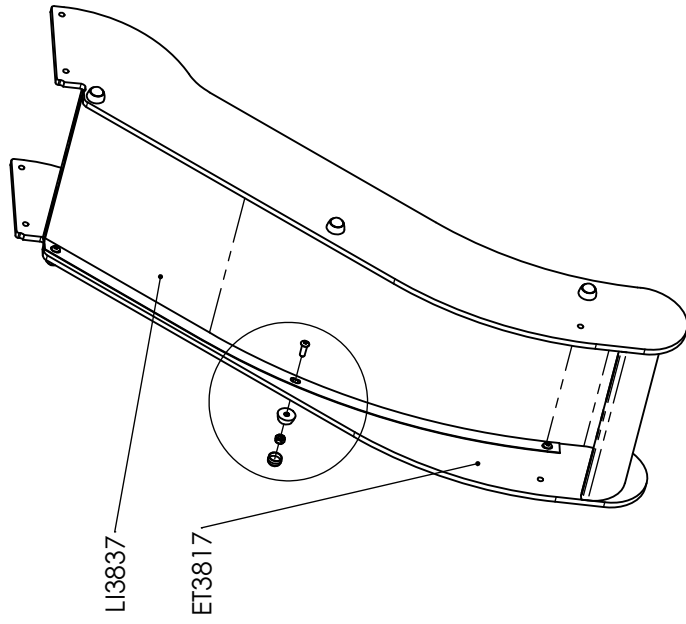
LI4505



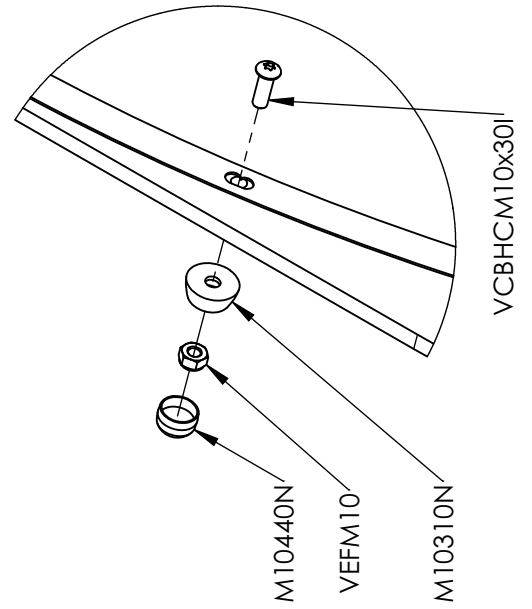
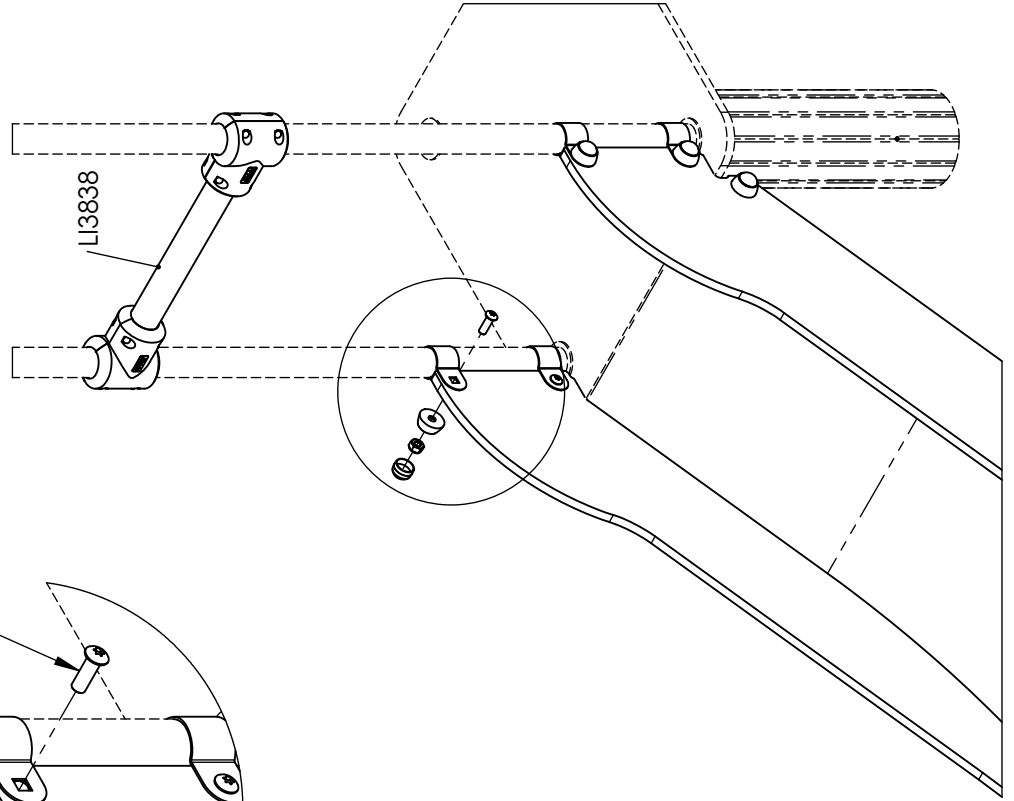
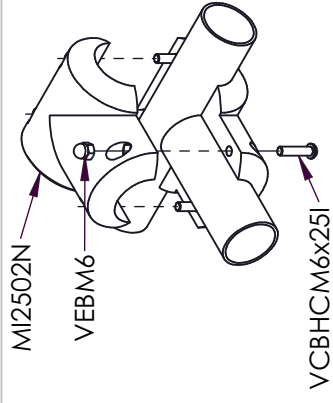
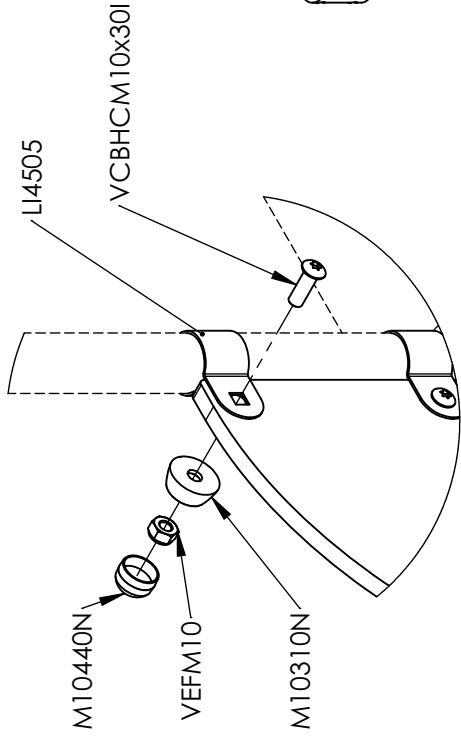
MI2502N

Réf	Qté
ET3817PL	2
LI3837	1
LI3838	1
LI4505	4
M10310N	10
M10440N	10
MI2502N	4
VCBHC M6x25I	8
VCBHC M10x30I	10
VEFM10	10
VEBM6	8

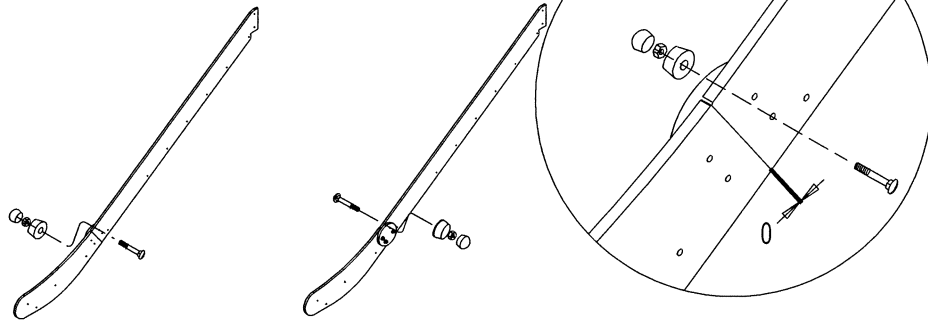
①



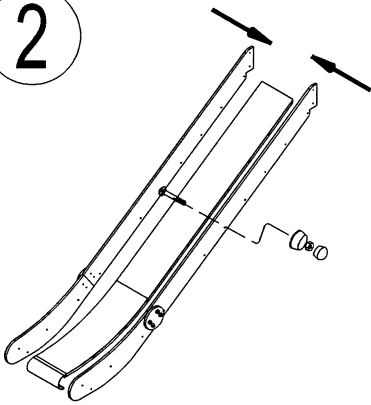
②



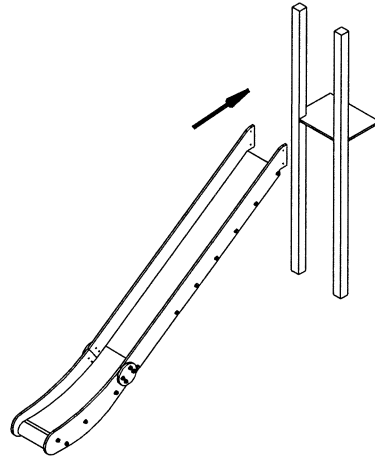
1



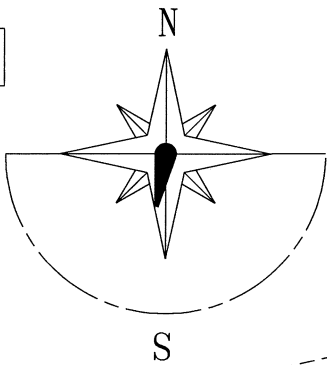
2



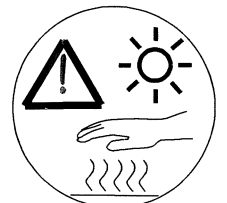
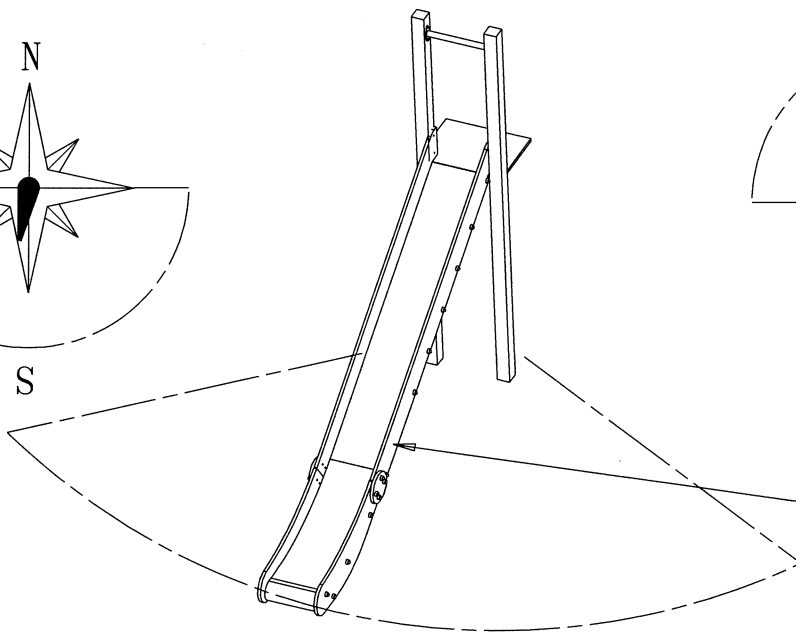
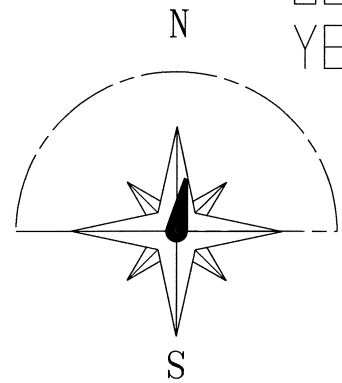
3



NON
NO



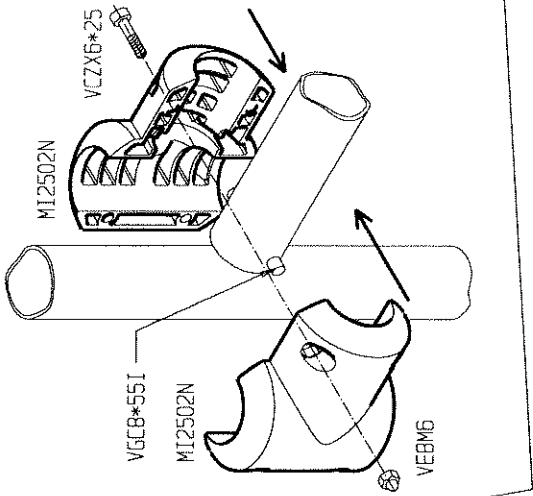
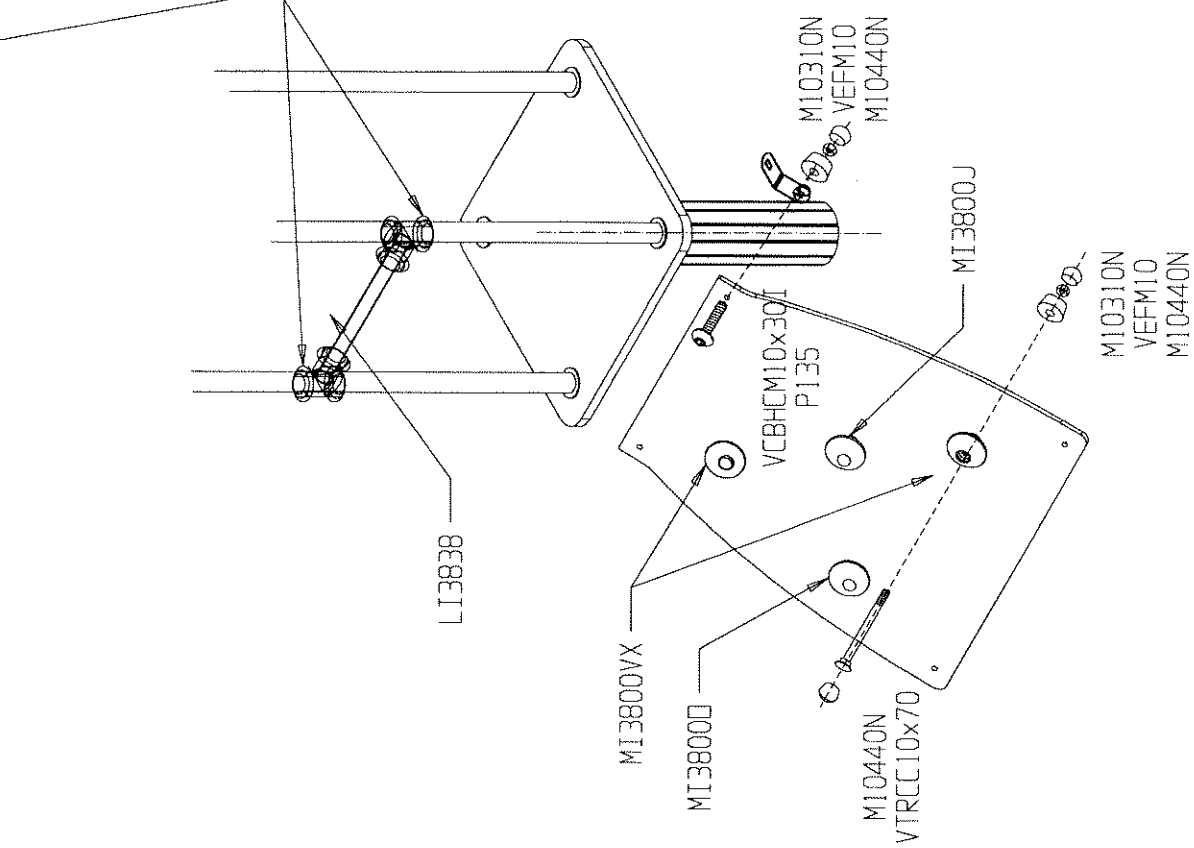
OUI
YES



STOBG

FR

Il est recommandé de ne pas orienter la glissière Sud / Sud Ouest



MI3800VXx2
MI3800Jx1
MI3800Jx1

1x FT3821

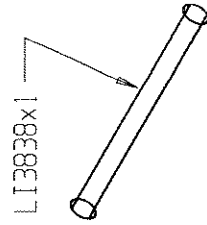
MI3800VX

MI3800J

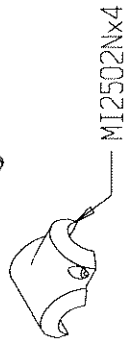
MI10440N
VTRCC10x70

MI1031ON
VEFM10
MI10440N

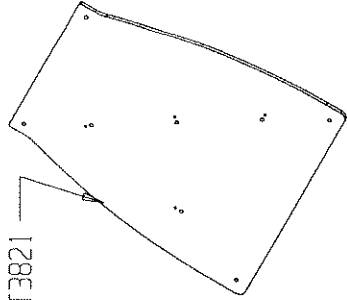
LI3838



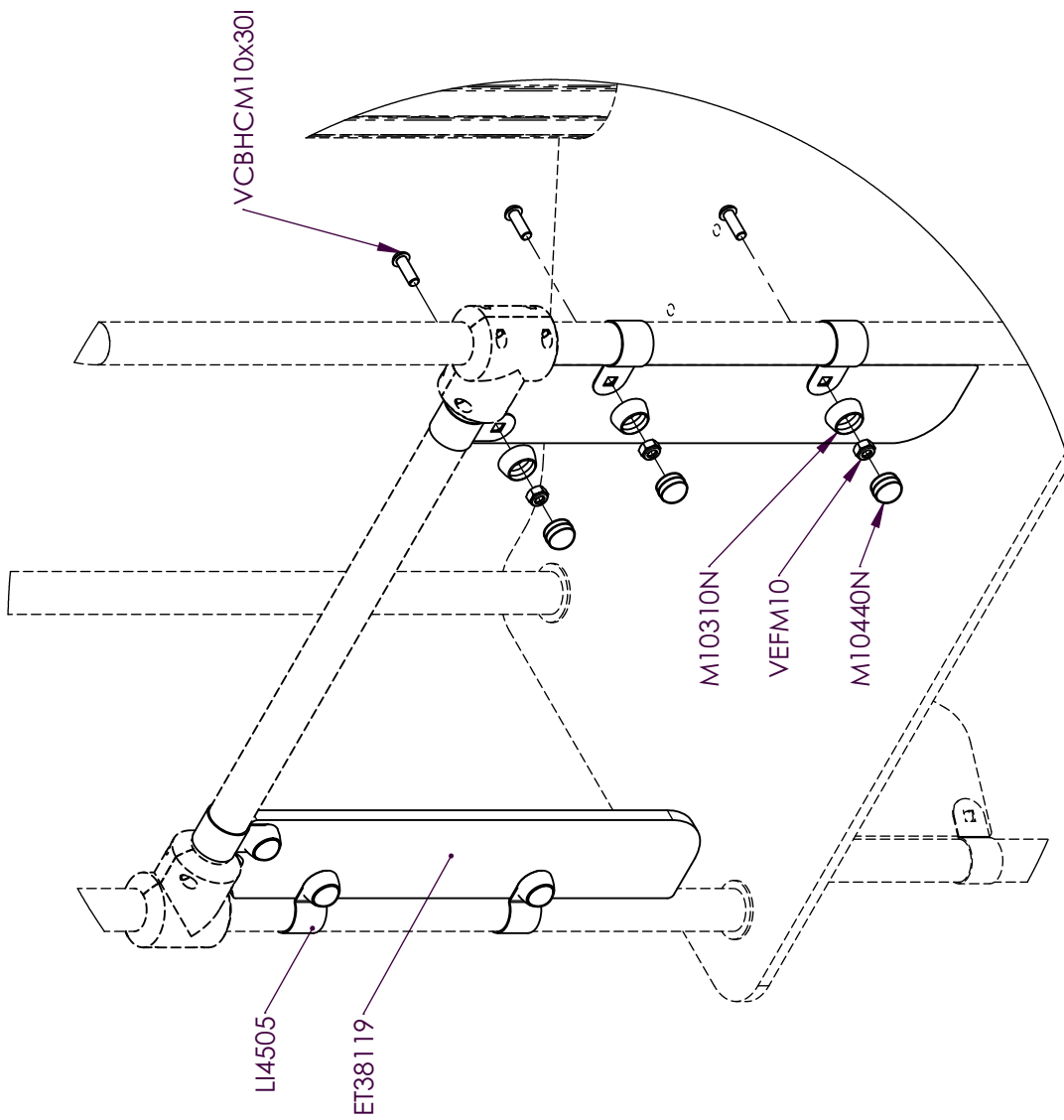
LI3838x1



MI2502Nx4



	MI1031ON	6
	MI10440N	10
	VCZY 6x25	8
	VEBM6	8
	VEFM10	6
	VTRCC10x70	4
	VCBHEM10x30I	2
	70 mm	
	135° :P135	2

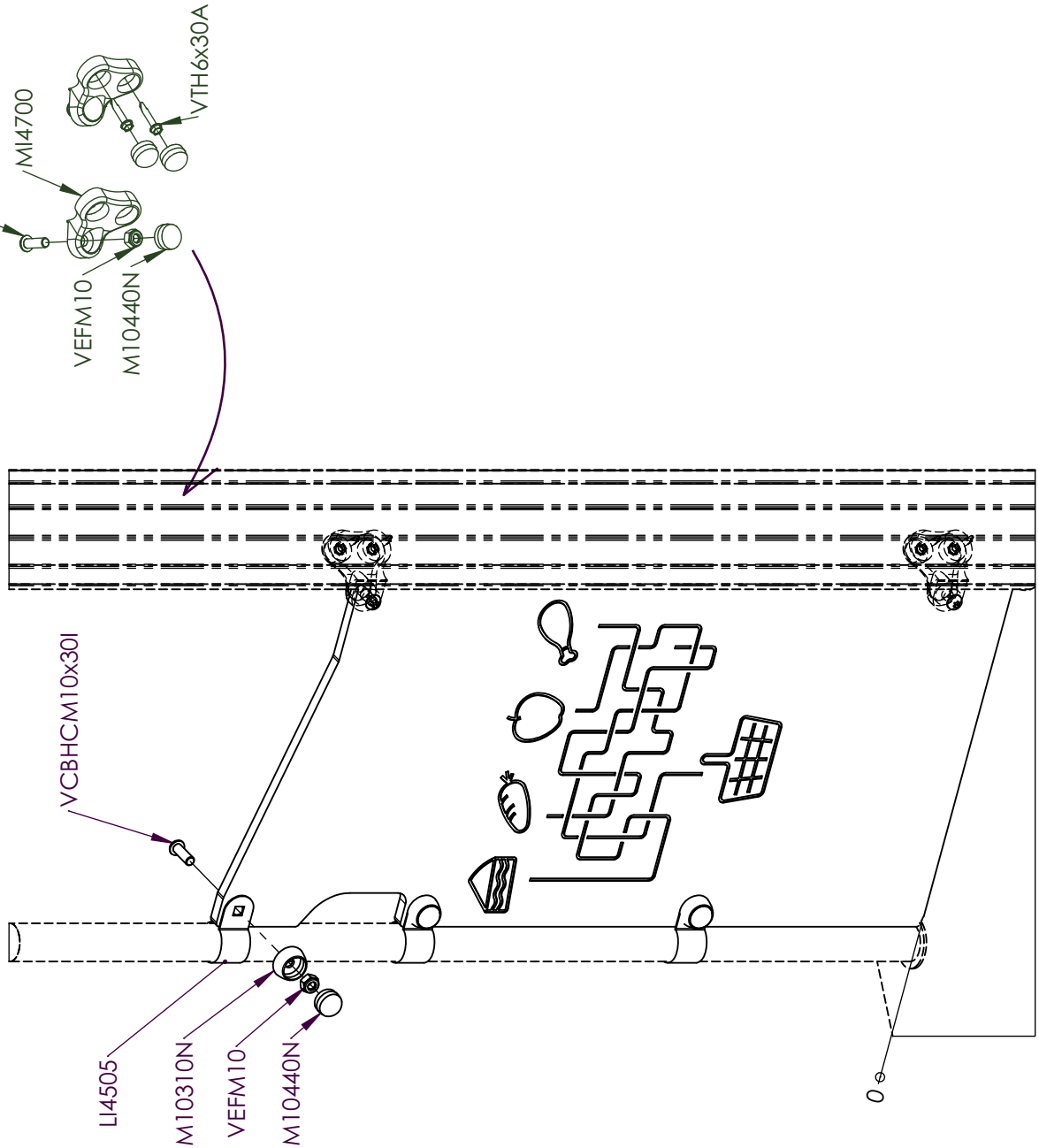


ET38119

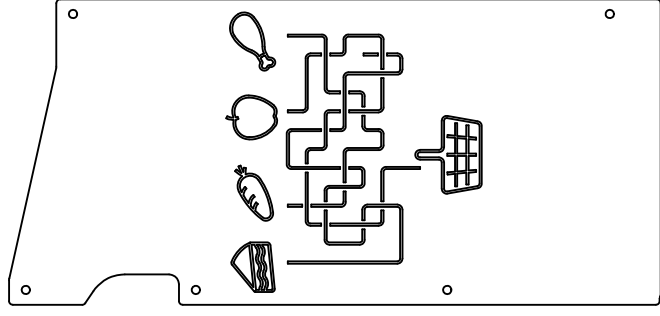


LI4505

Réf	Qté
ET38119PL	2
LI4505	6
M10310N	6
M10440N	6
VCBHCM10x30I	6
VEFM10	6



ET38620



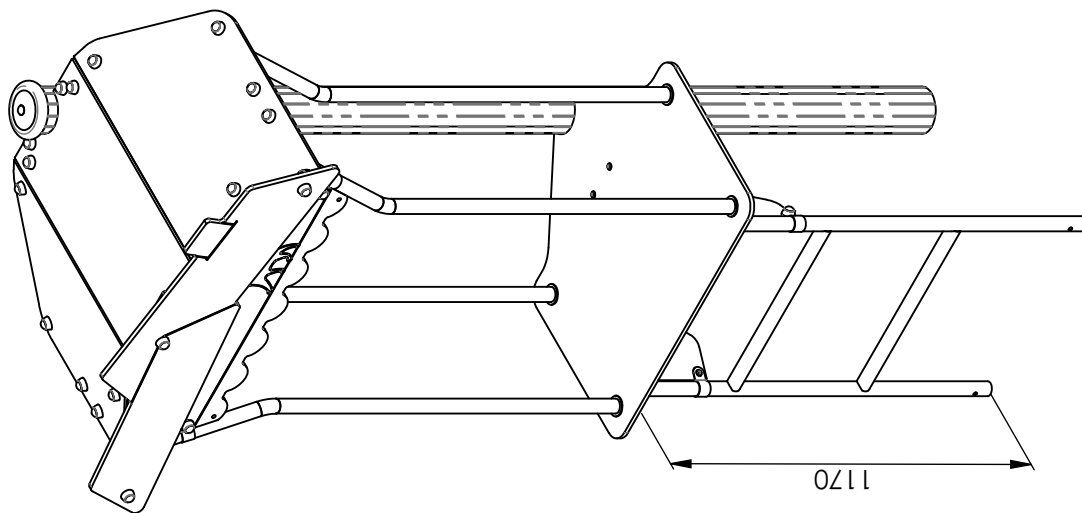
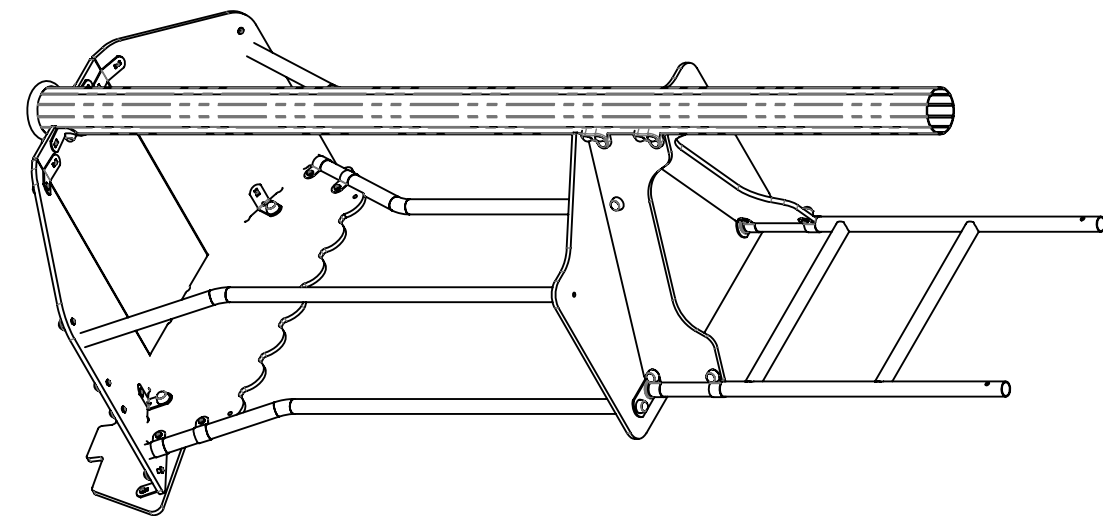
MI4700

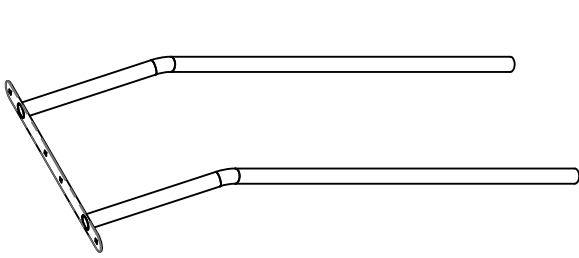


LI4505

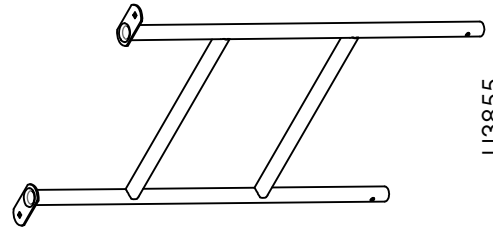


Réf	Qté
ET38620L	1
LI4505	3
M10310N	3
M10440N	9
MI4700	2
VCBHCM10x30I	5
VEFM10	5
VTH6x30A	4





LI3858



LI3855



LGP3806A



P13



P150



LI4505



MI4700



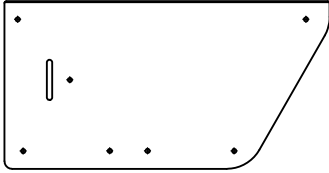
LI2804



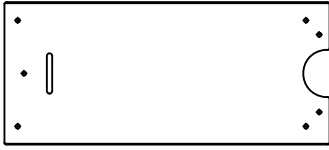
MI025N



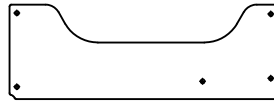
LP3800N



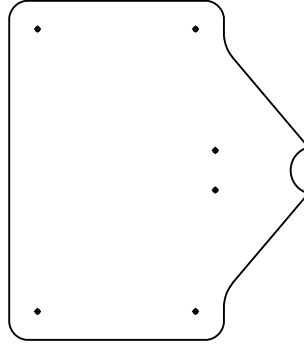
ET38325



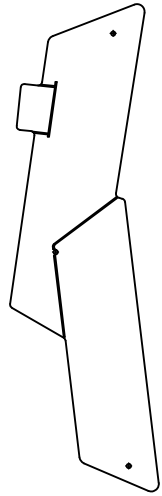
ET38300



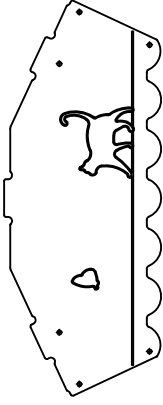
ET3832



FT3833

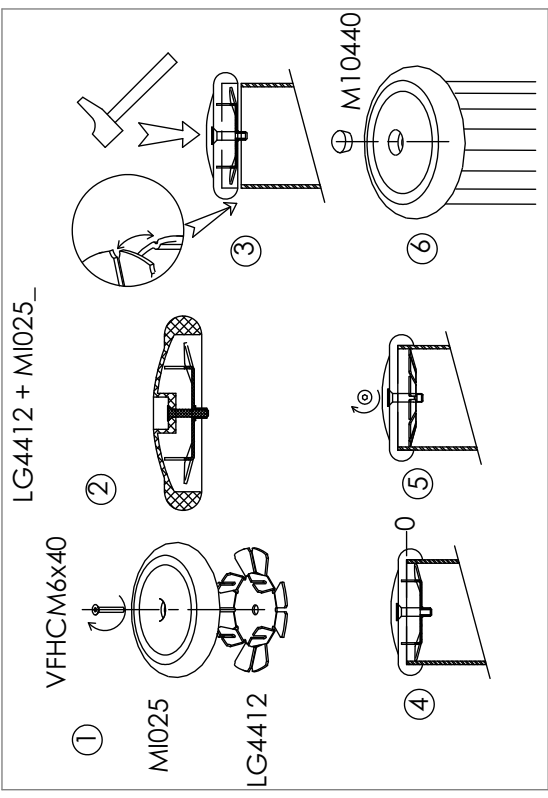
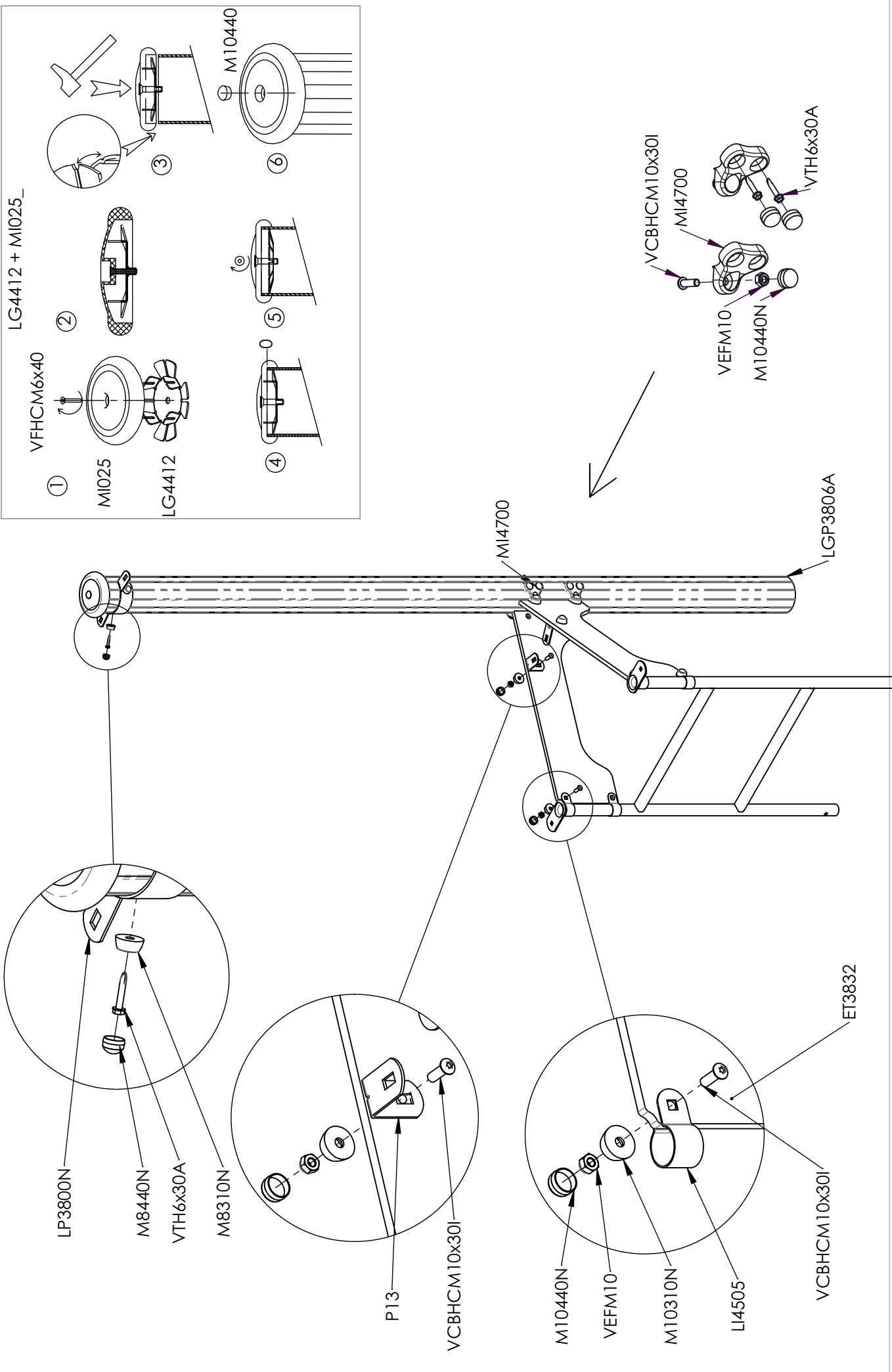


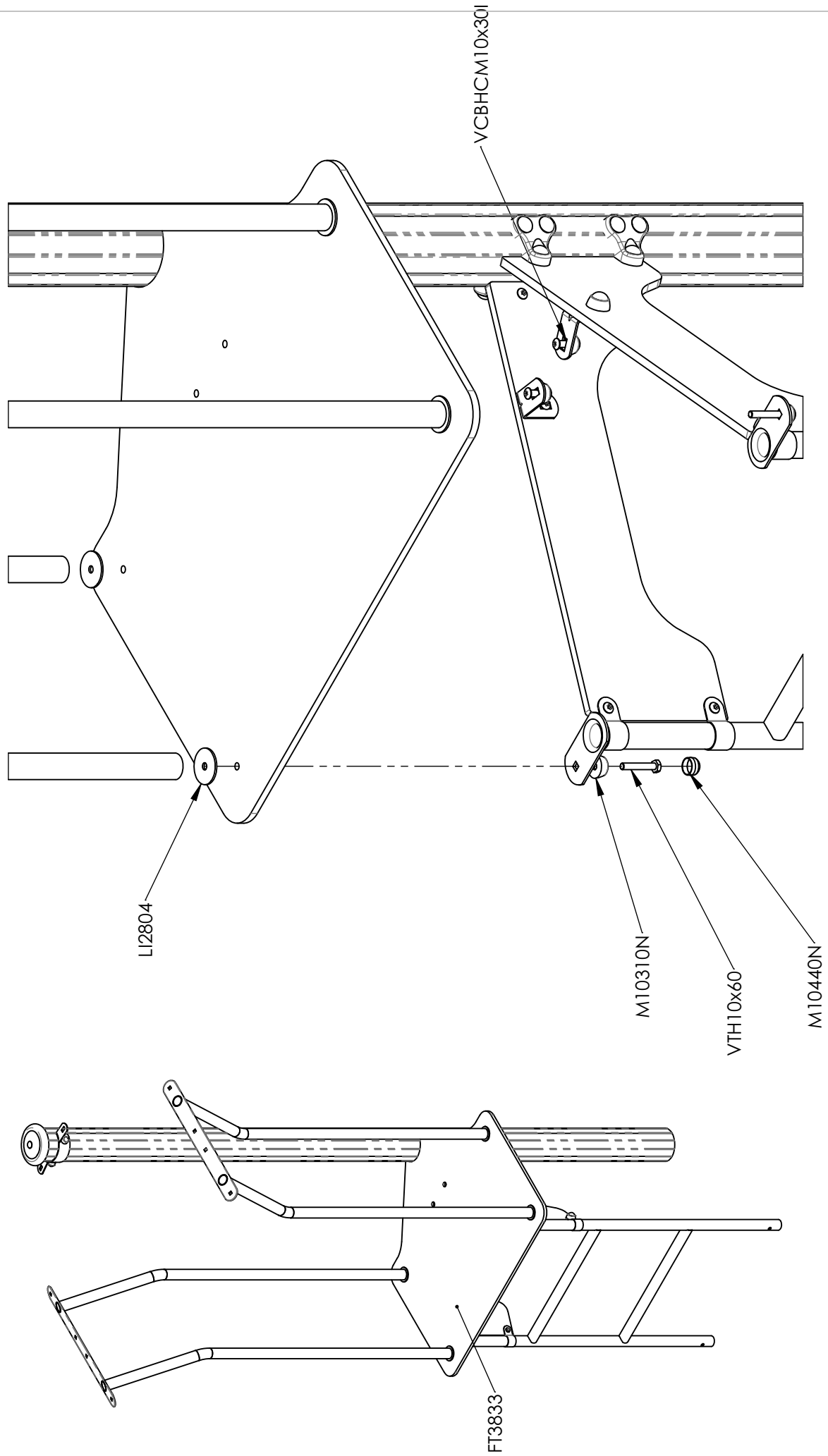
ET38604

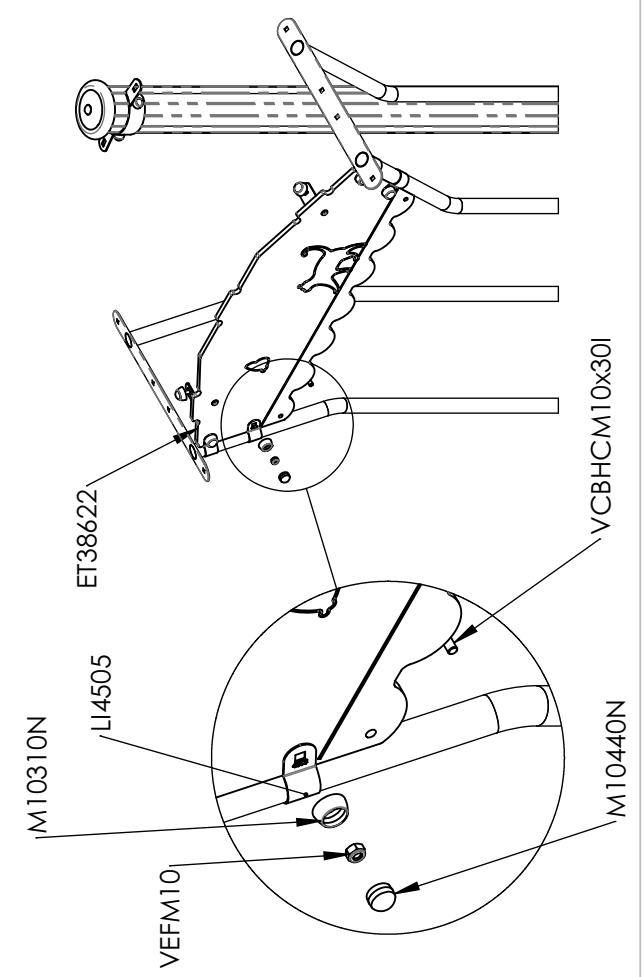
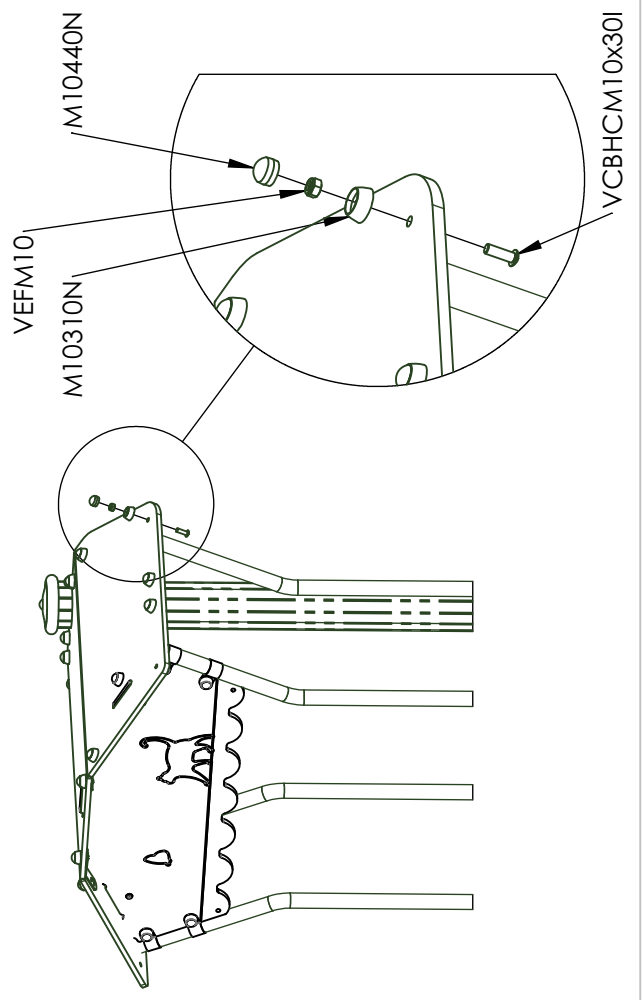
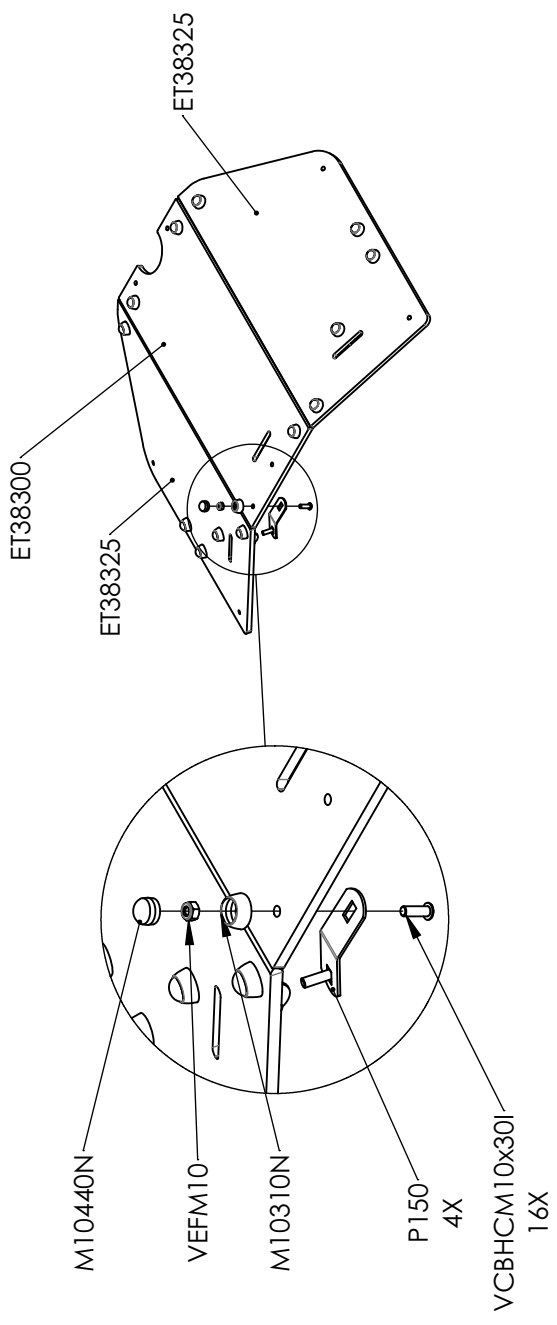
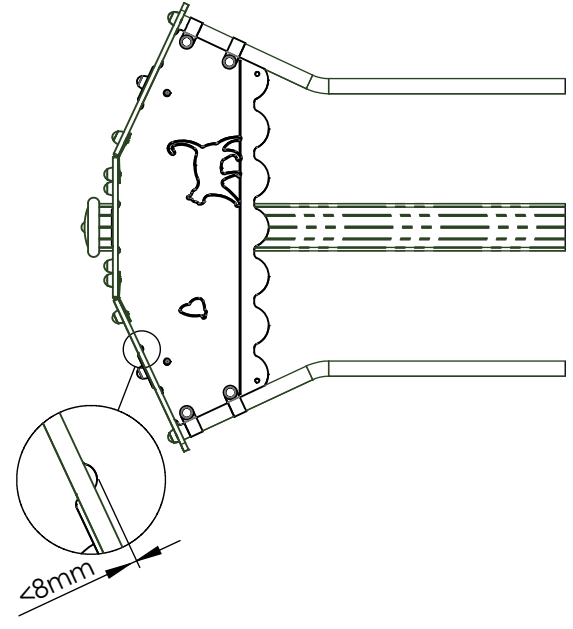


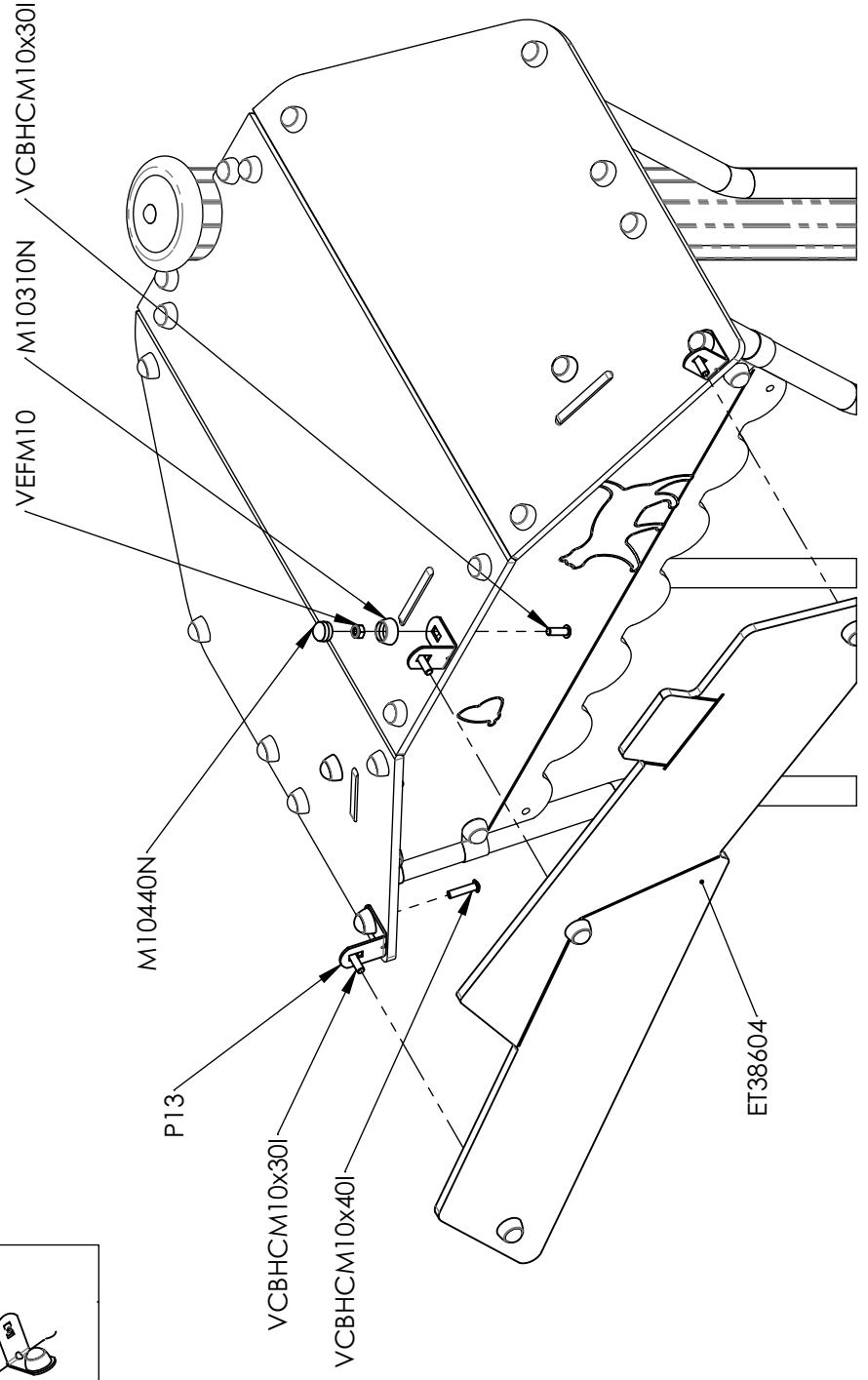
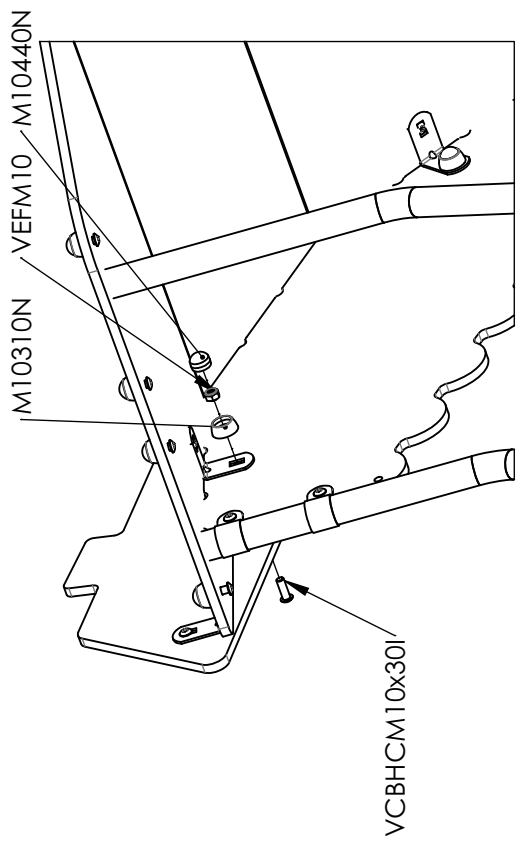
ET38622

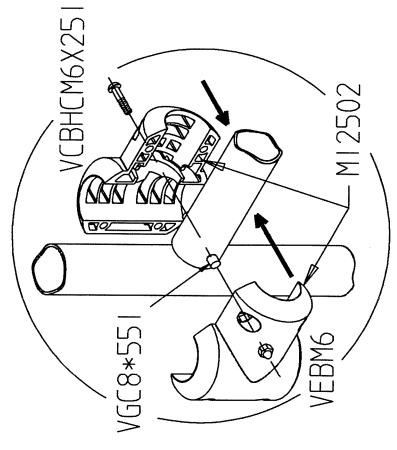
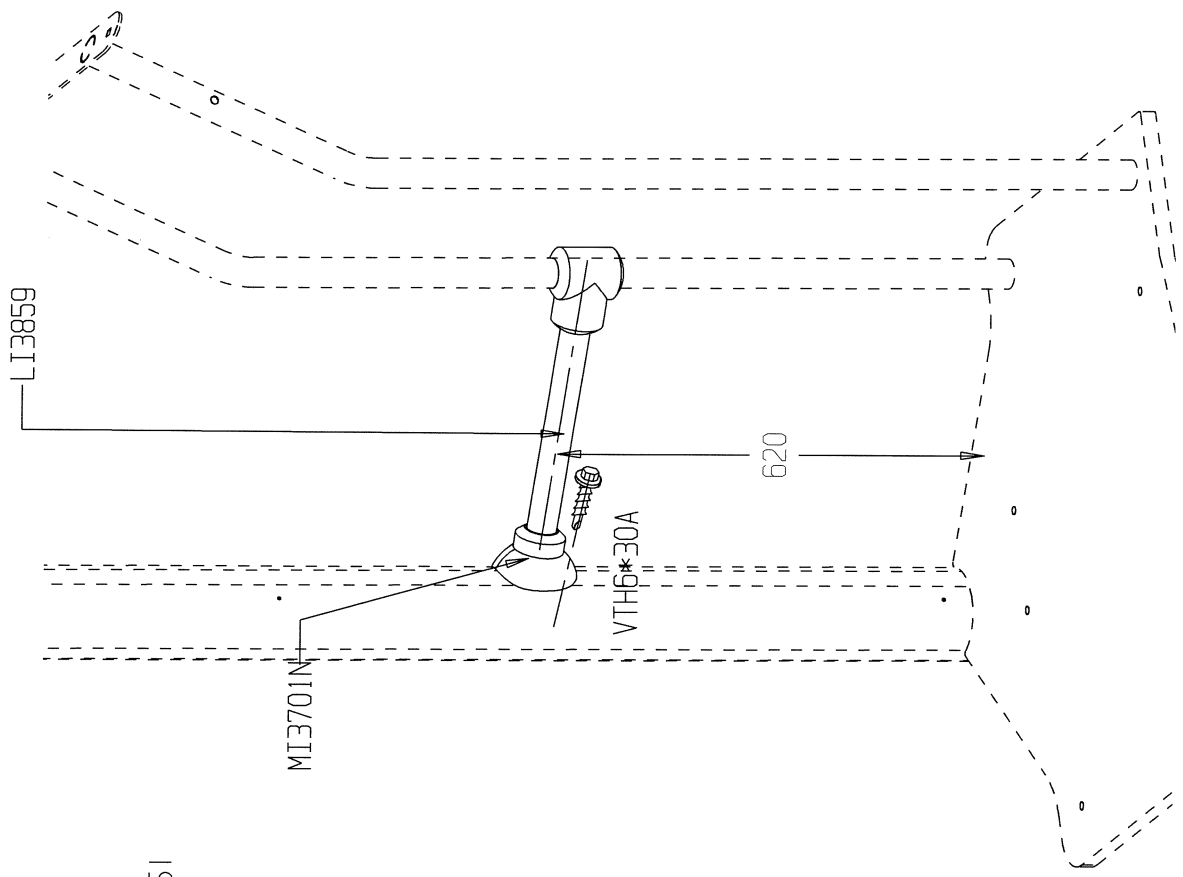
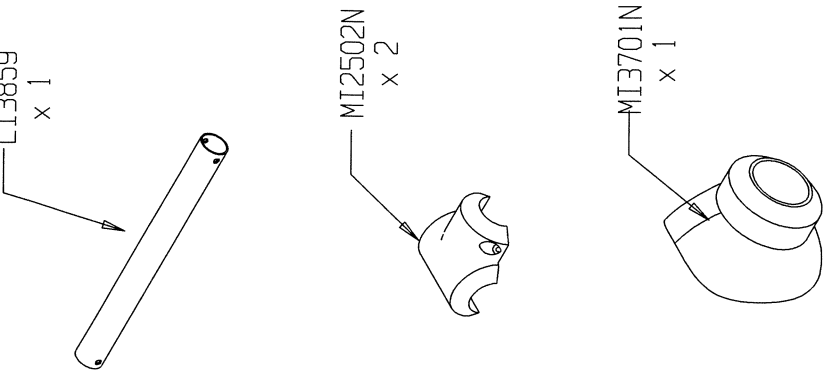
Réf	Qté
ET3832PL	2
ET38300PL	1
ET38325PL	2
ET38604RC	1
ET38622L	1
FT3833	1
LG4412	1
LGP3806A	1
LI2804	4
LI3855	1
LI3858	2
LI4505	8
LP3800N	1
M8310N	2
M8440N	2
M10310N	42
M10440N	55
MI025N	1
MI4700	4
P13	7
P150	4
VCBHCMI0x30I	40
VCBHCMI0x40I	2
VEFM10	42
VFHCM6x40	1
VTH6x30A	10
VTH10x60	4



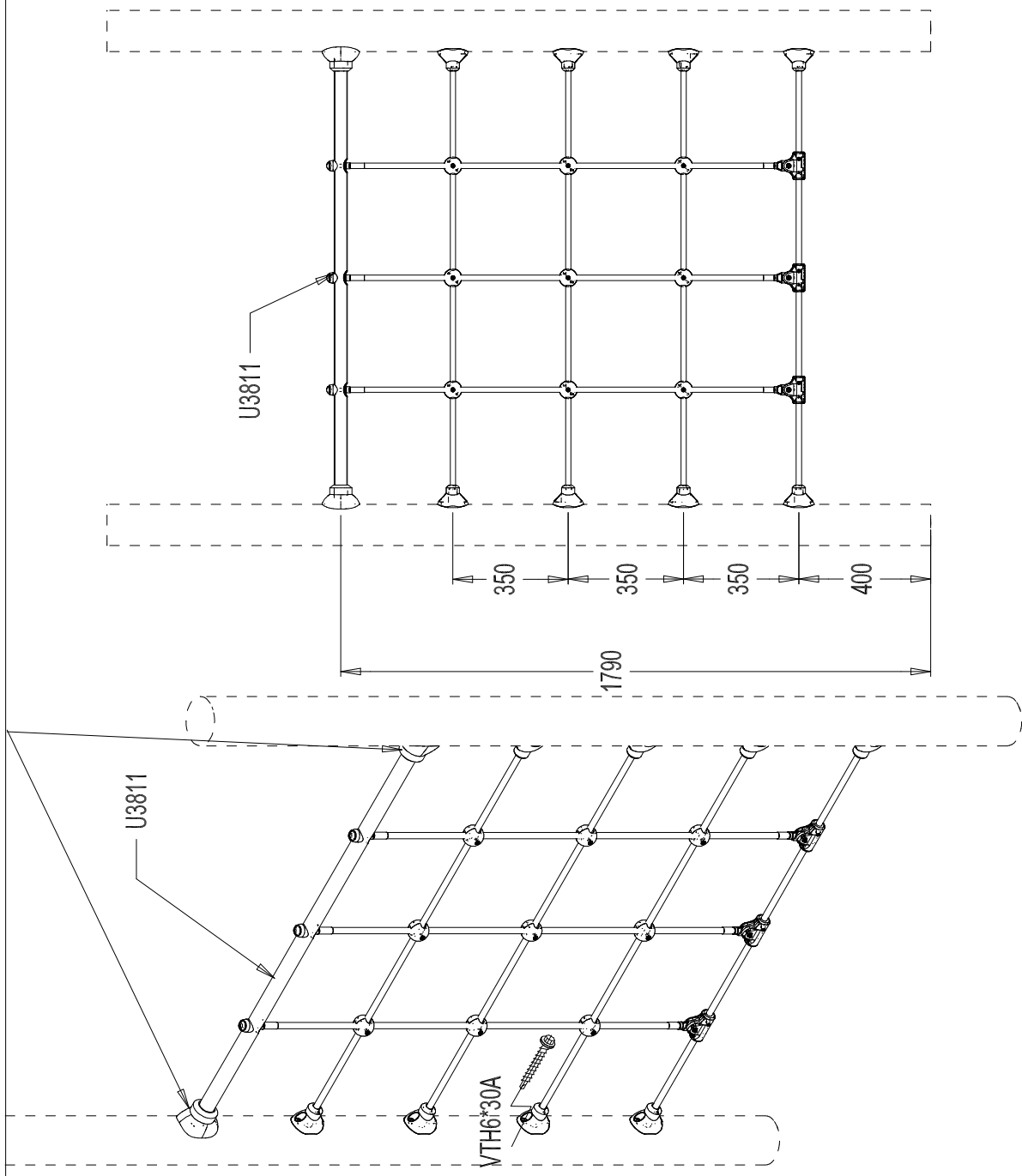
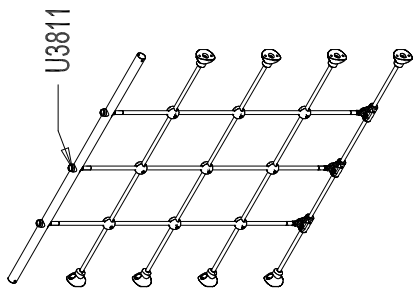
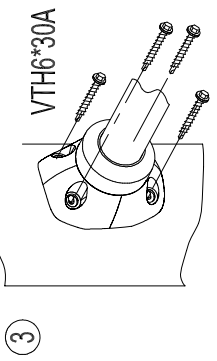
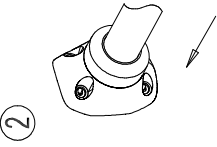
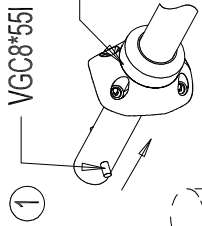





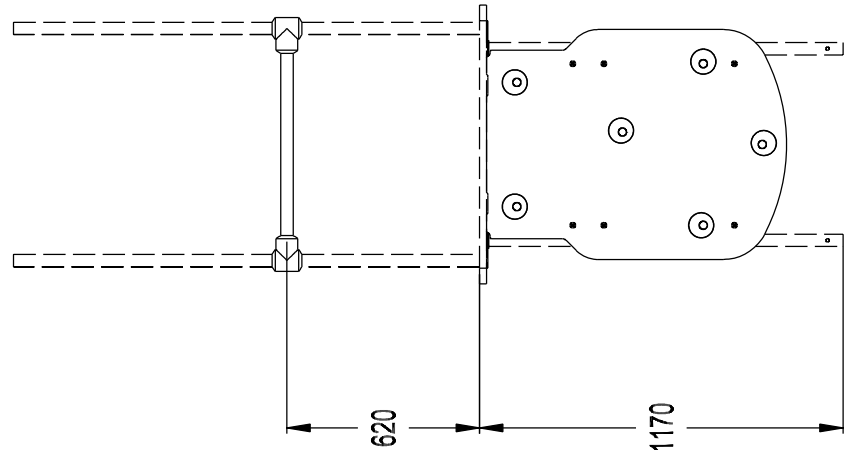
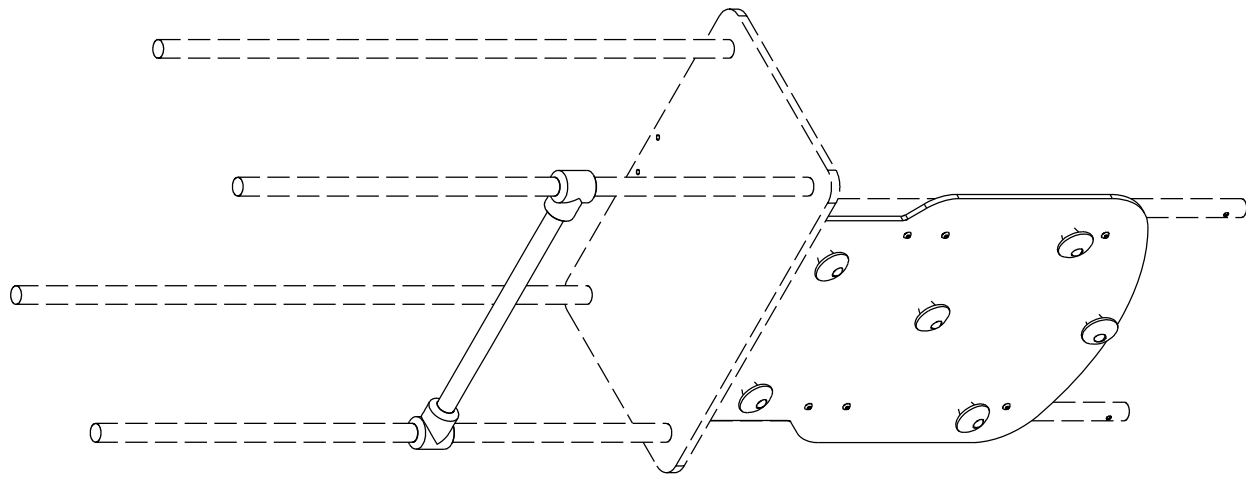




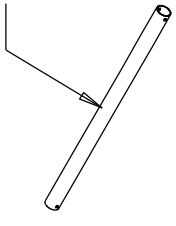
	VGC8*55I	2
	VEBM6	4
	VCBHC6*25I	4
	VTH6*30A	4



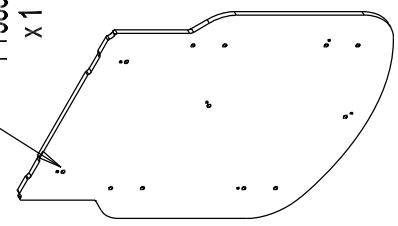
	VGC8*55I	2
	VTH 6x30A	24
	M13701N	2



LI3740
x1



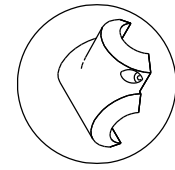
FT3838
x1



MI3800VX x2
MI3800J x2
MI3800O x2

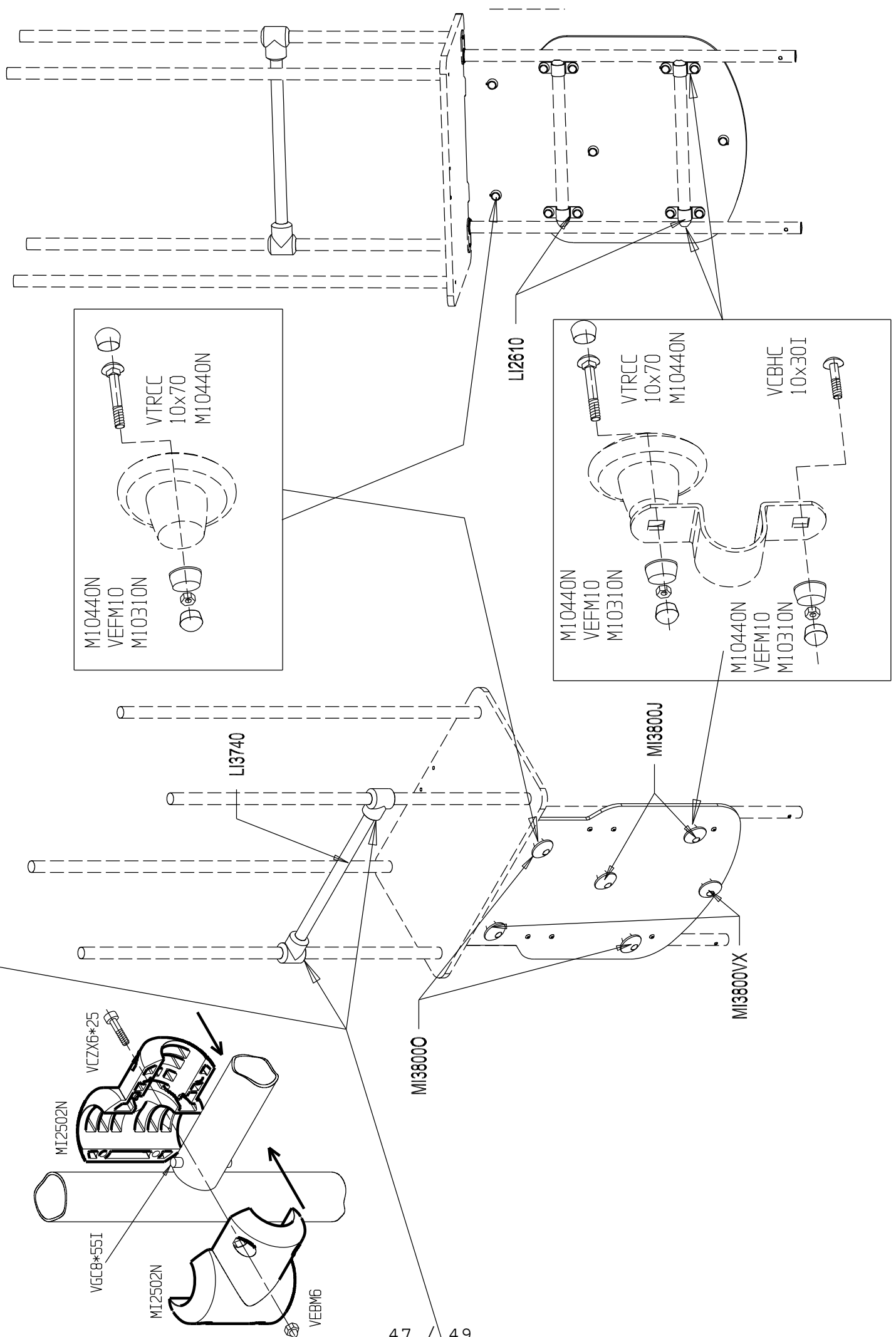


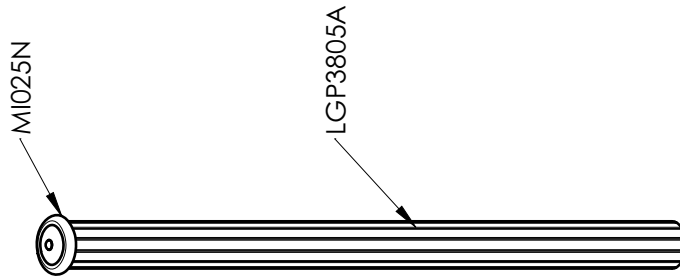
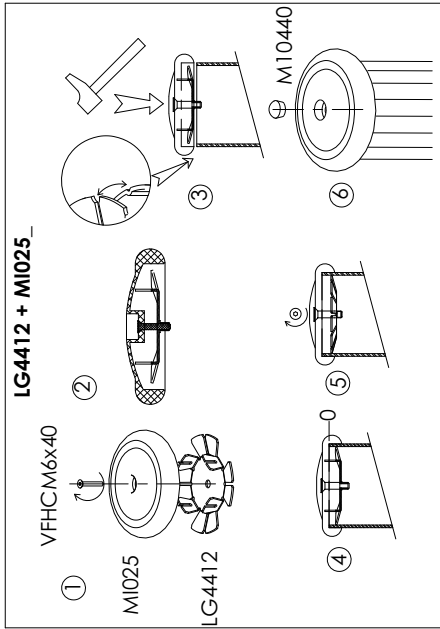
LI2610
x4



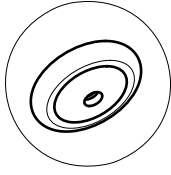
MI2502N x4

	VCZX 6x25	8
	VEBM6	8
	VCBHC10*30I	6
	VTRCC10x70	6
	M10310N	12
	M10440N	18
	VEFM10	12

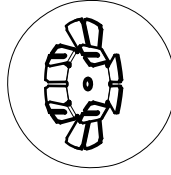




LGP3805A

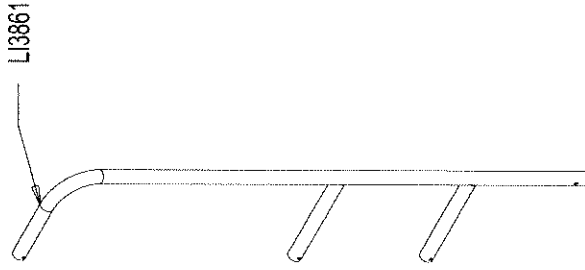
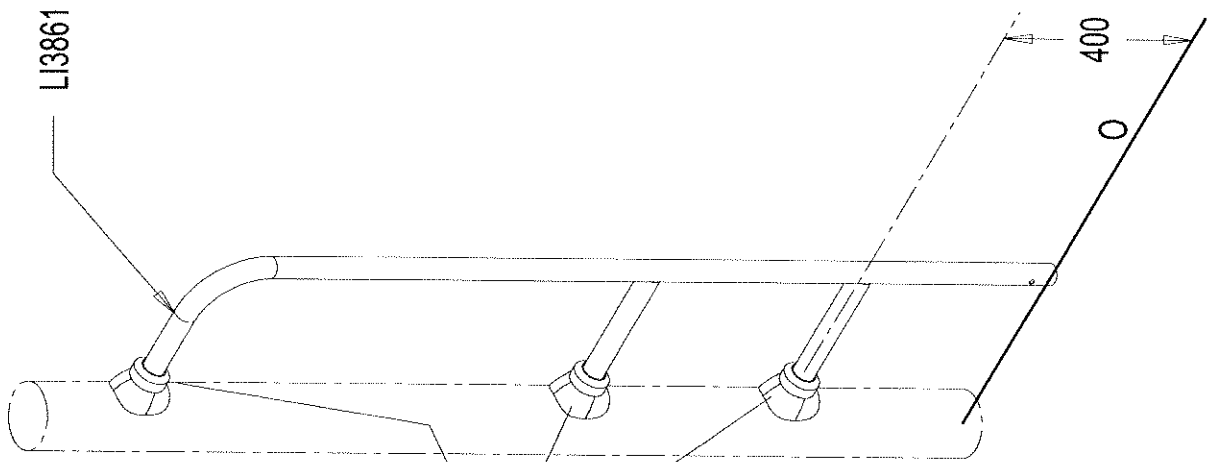
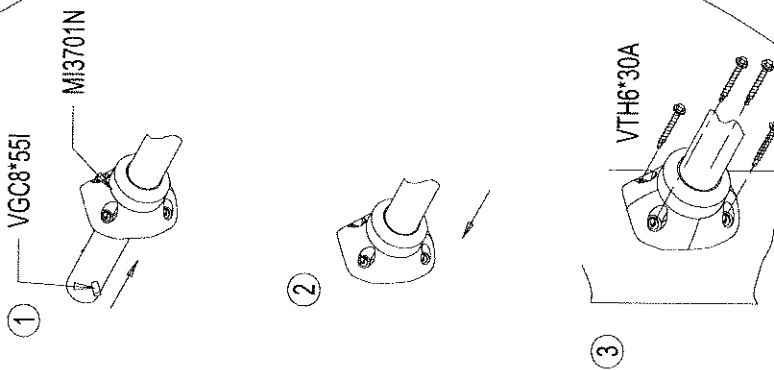





MI025



LG4412

Réf	Qté
LG4412	1
LGP3805A	1
M10440N	1
MI025N	1
VFHCM6x40	1



	VGC8*55I	3
	VTH 6x30A	12
	MI3701N	3