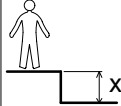






2 → 8

ProLudic

N°		m ²
1	1 m	6 m ²
2	1.17 m	24 m ²

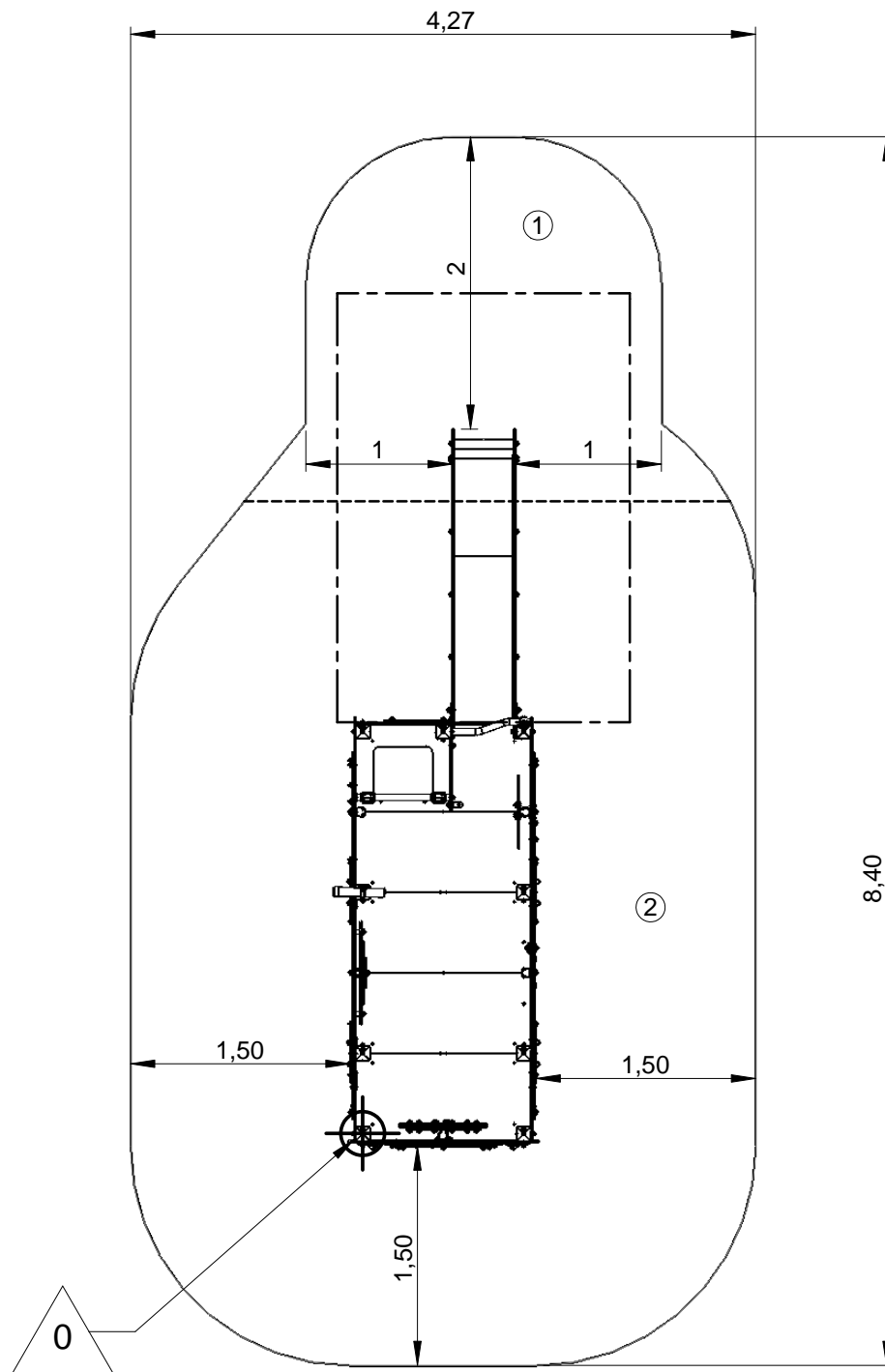
— Zone d'impact
Impact area
Area de impacto
Fallraum
Valzone

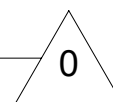
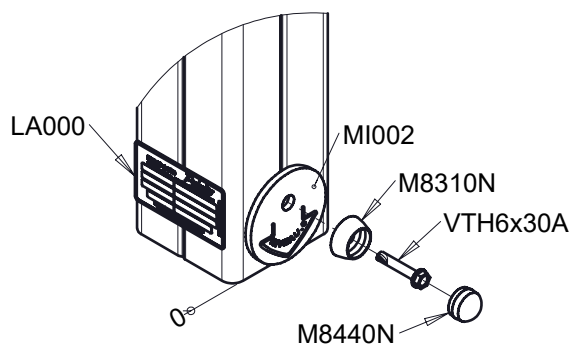


Point de référence
Setting out point
Punto de referencia
Bezugspunkt
Referentiepunt

- - - Espace libre
Free space
Espacio libre
Freiraum
Vrije ruimte

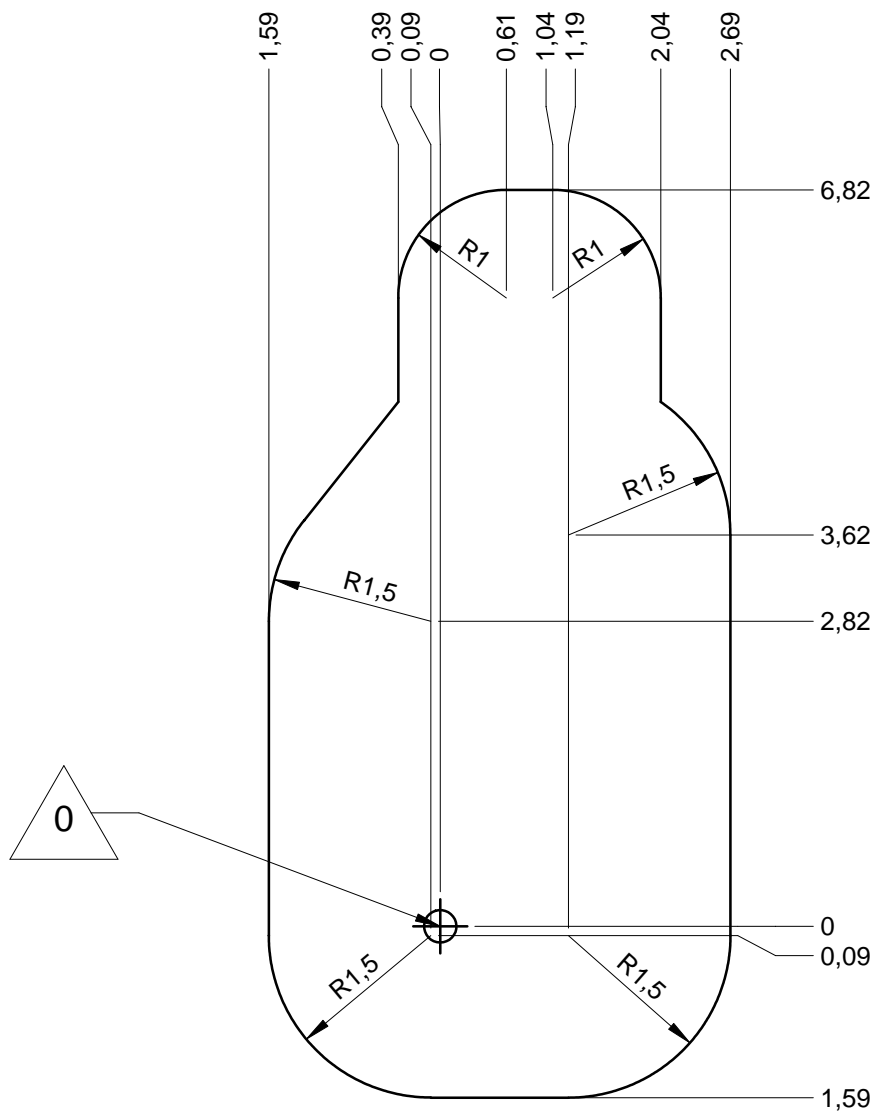
EN1176-1:2017
EN1176-3:2017





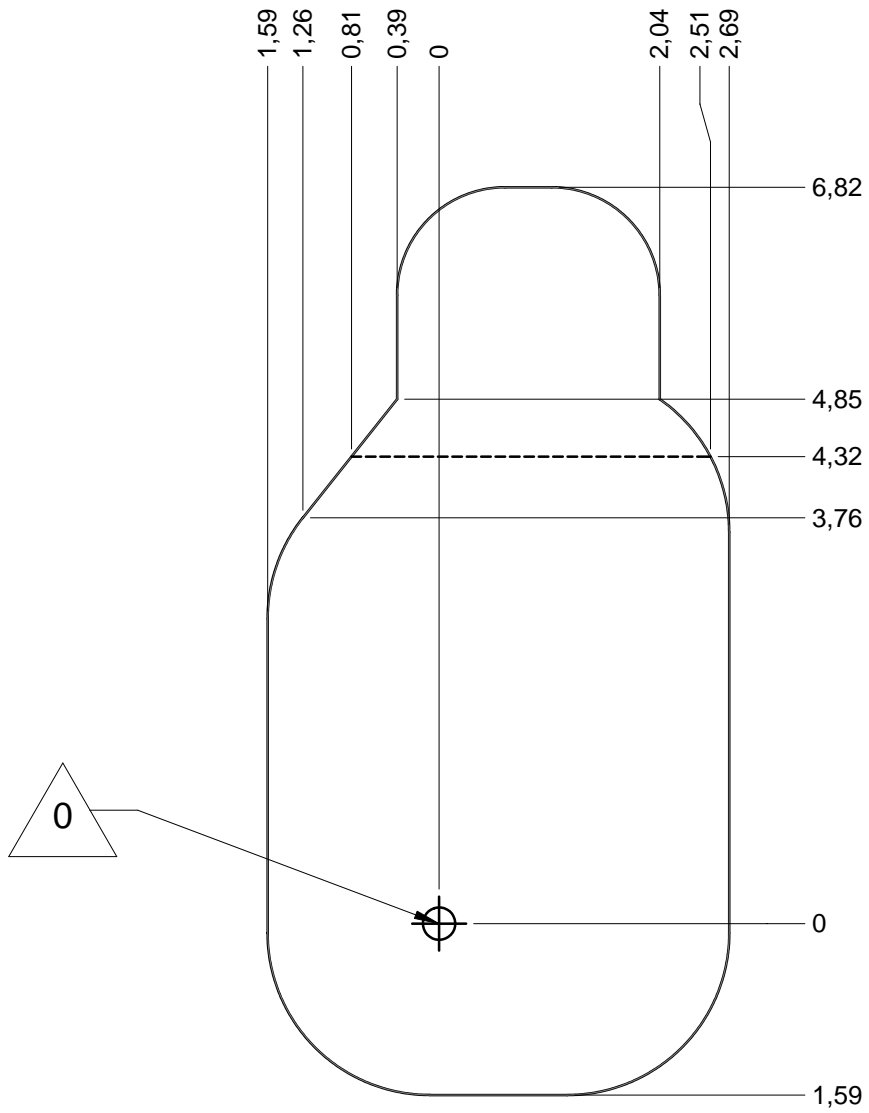
— Zone d'impact
 Impact area
 Area de impacto
 Fallraum
 Valzone

30 m²



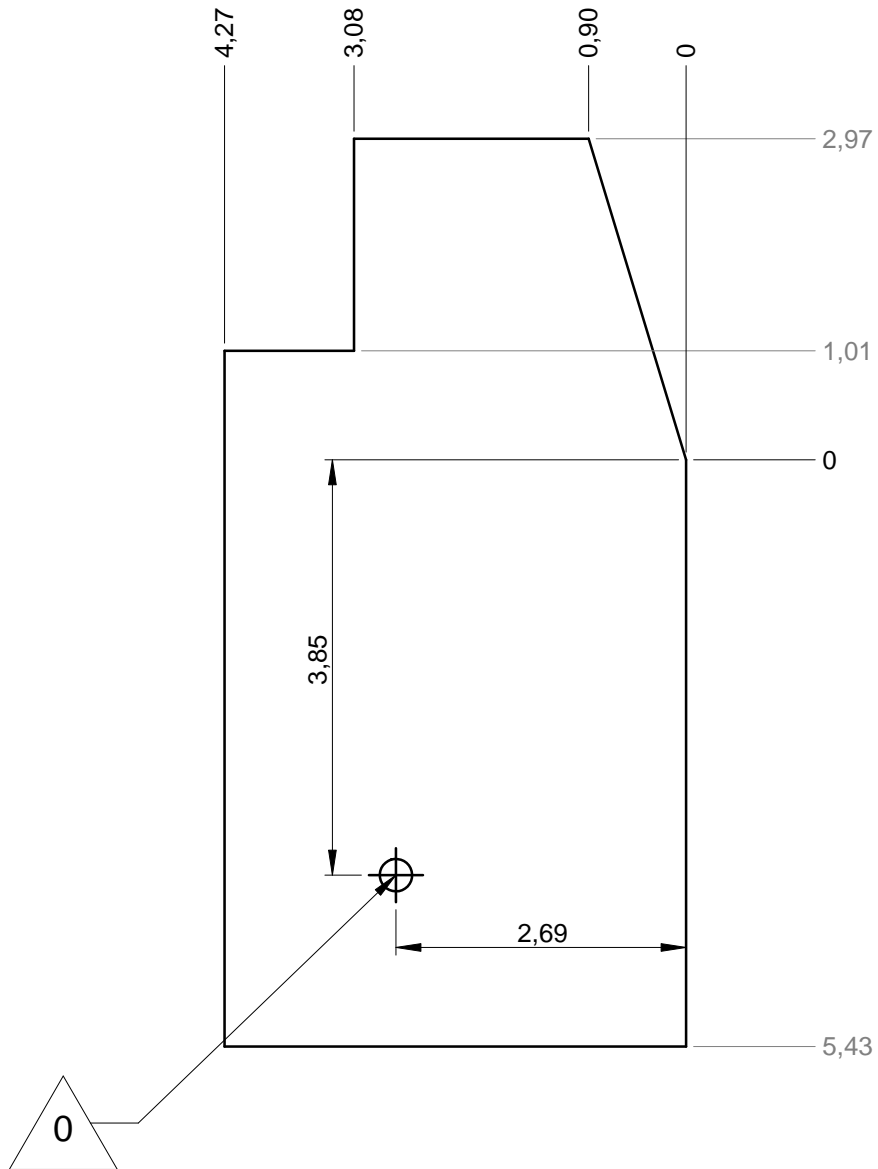
— Sol souple
 Wepour
 Caucho continuo
 Synthetischer Fallschutz
 Gietvloer

30 m²

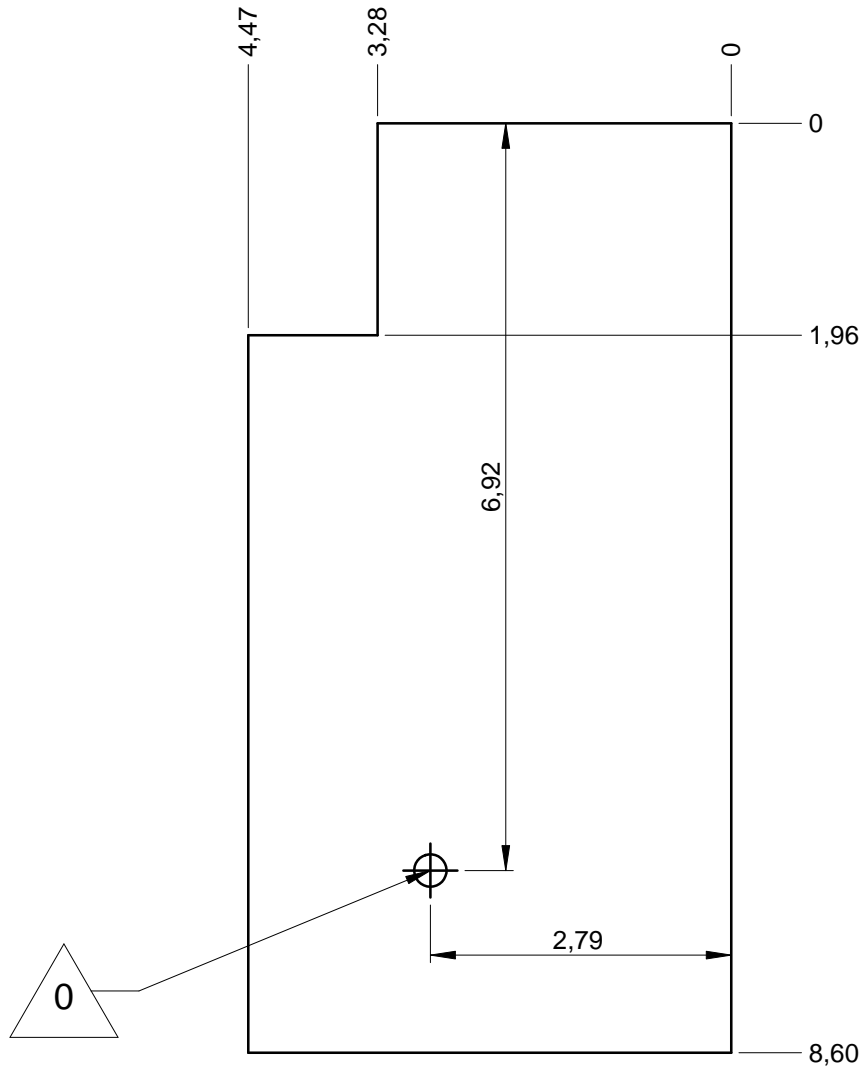


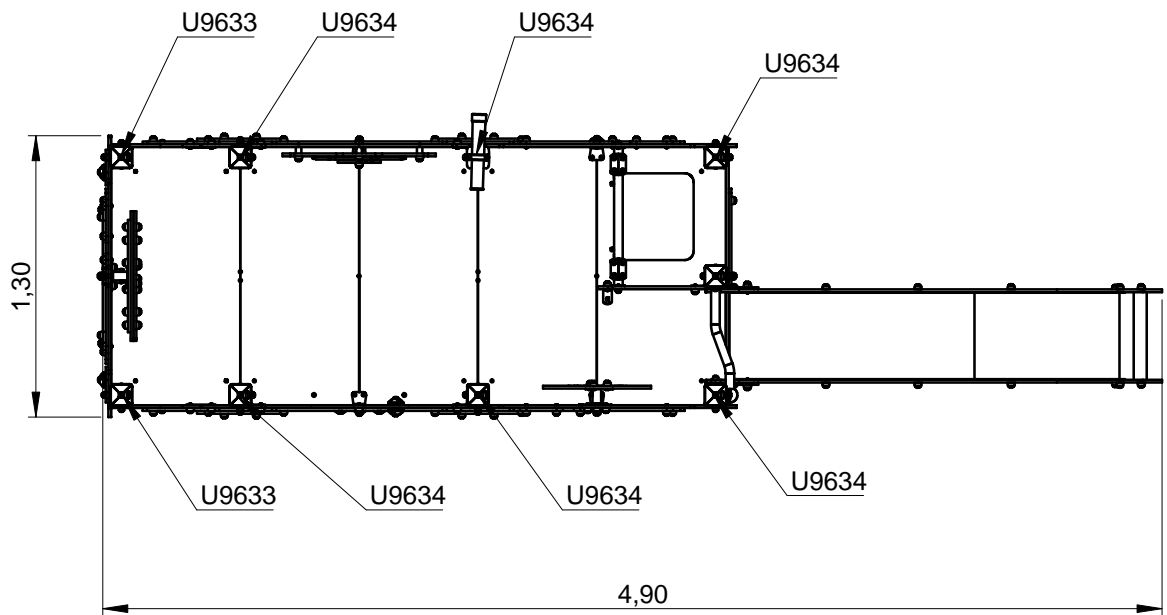
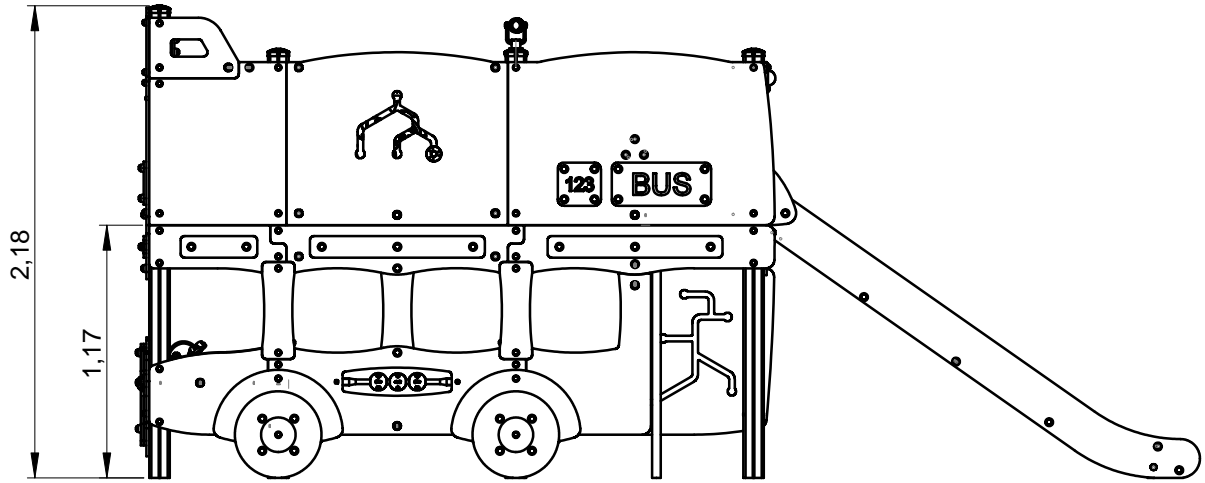
— Dalle béton
Concrete pad
Solera de hormigon
Beton Bodenplatte
Betonnen bodemplaat

25 m
33 m²



— Sol fluent
Loos partucule material 28 m
Arenero
Loses Bodenmaterial 37 m²
Los bodemmaterial

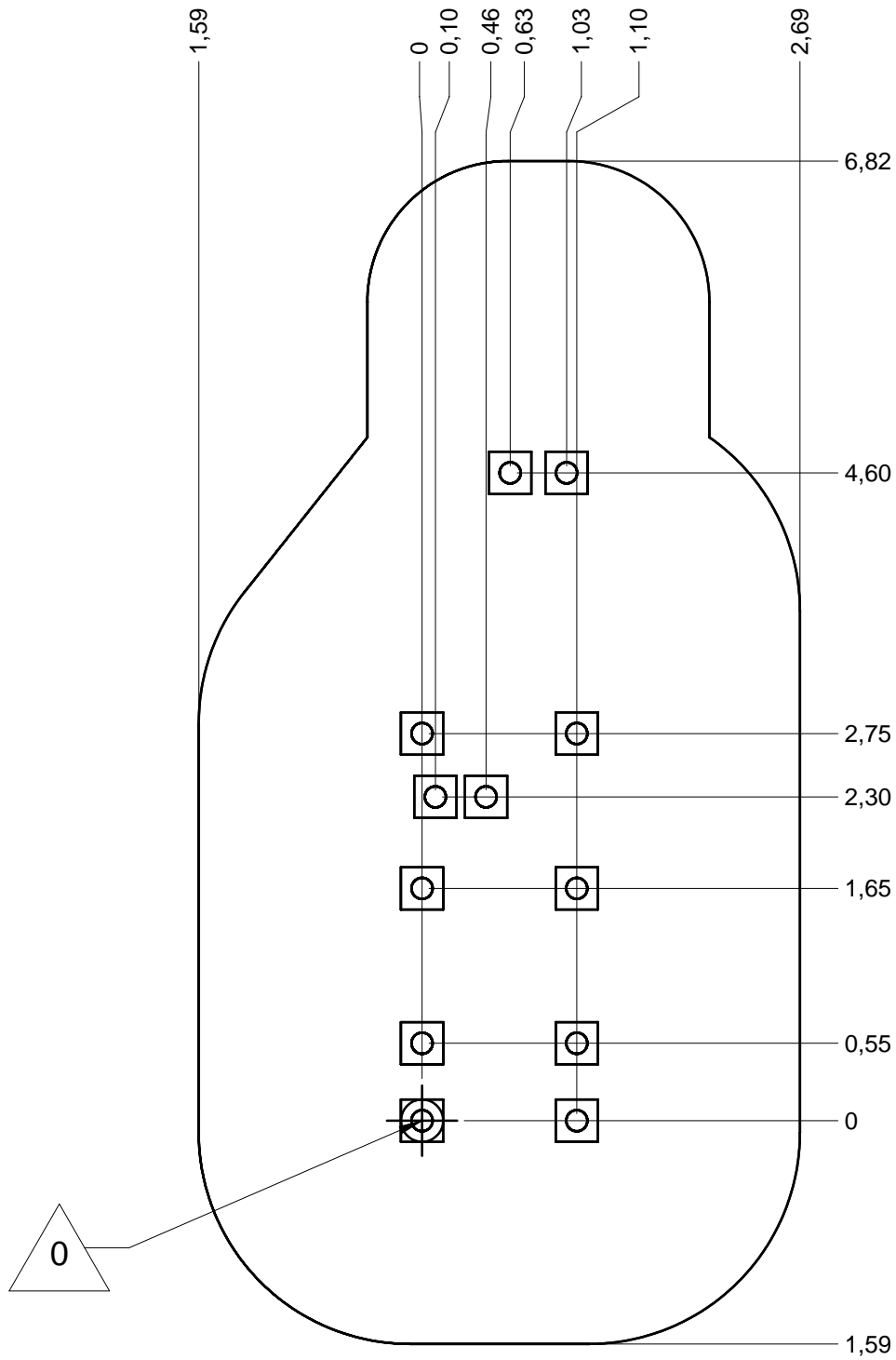




J2685A

Proludic

Implantation
 Footing plan
 Implantación
 Fundamentplan
 Funderingstekening



x2

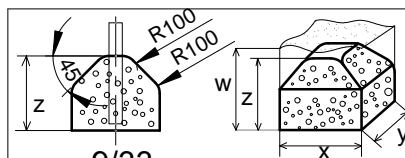


21H



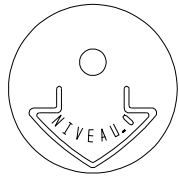
0.35

m³



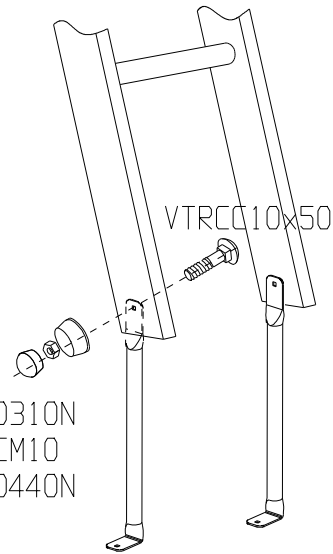
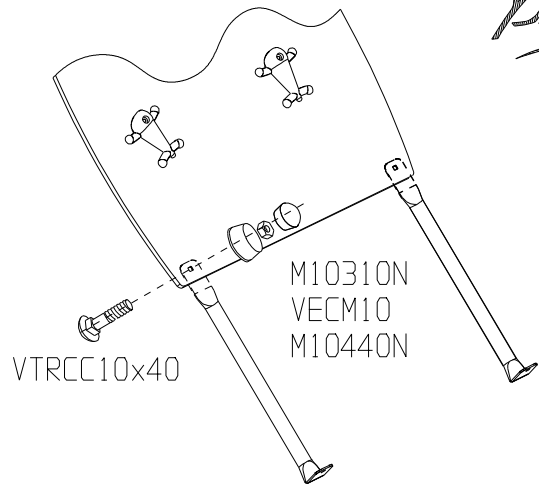
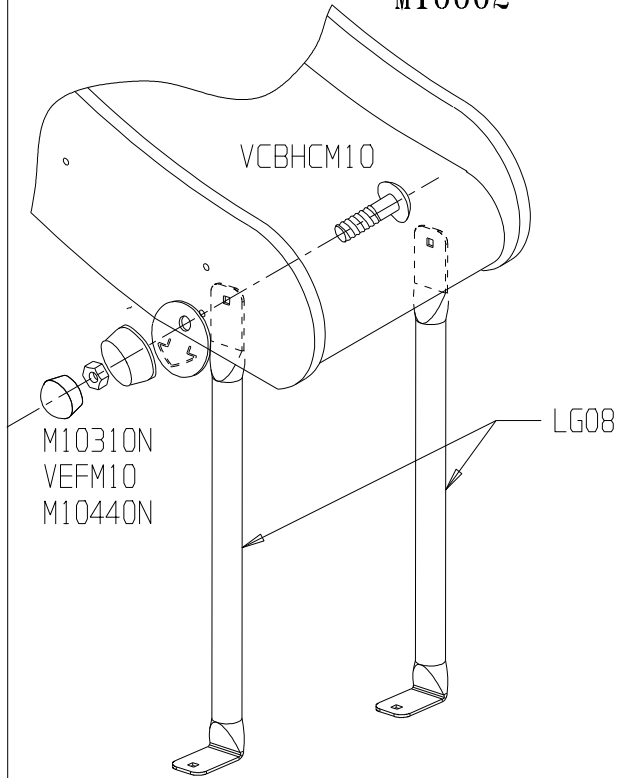
	x	y	z	w
☐	0.3	0.3	0.3	0.6

A



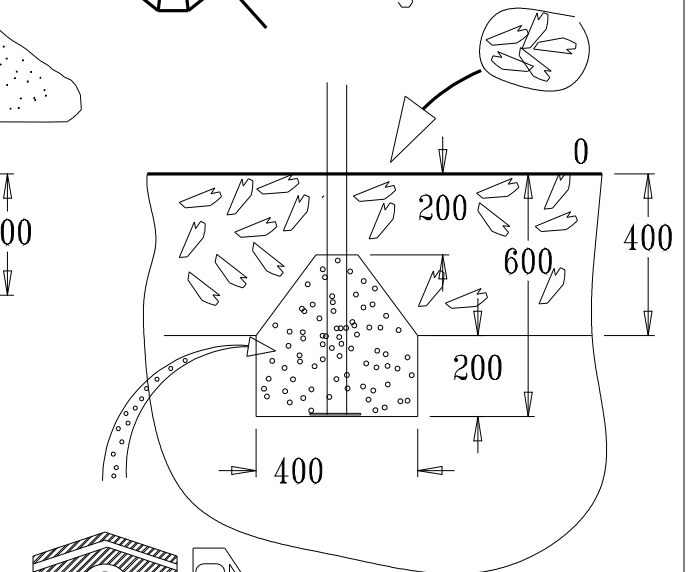
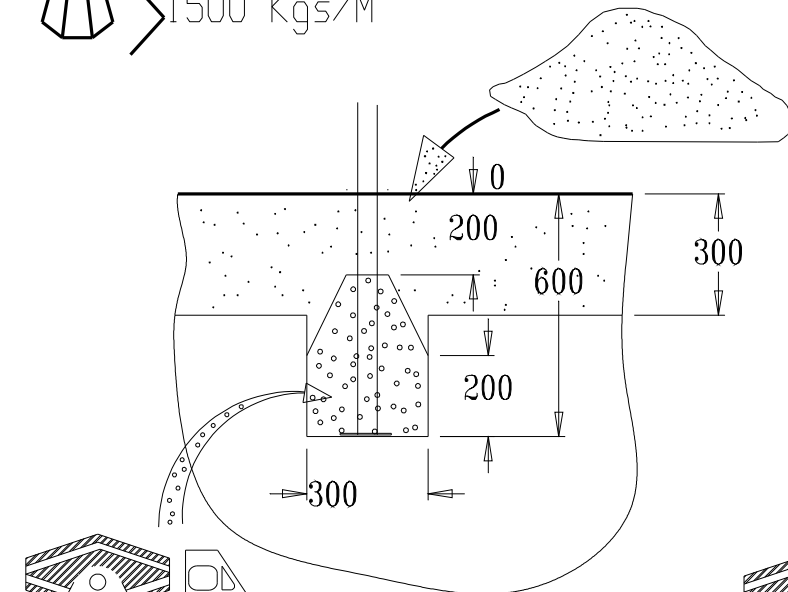
MI0002

ProLudic



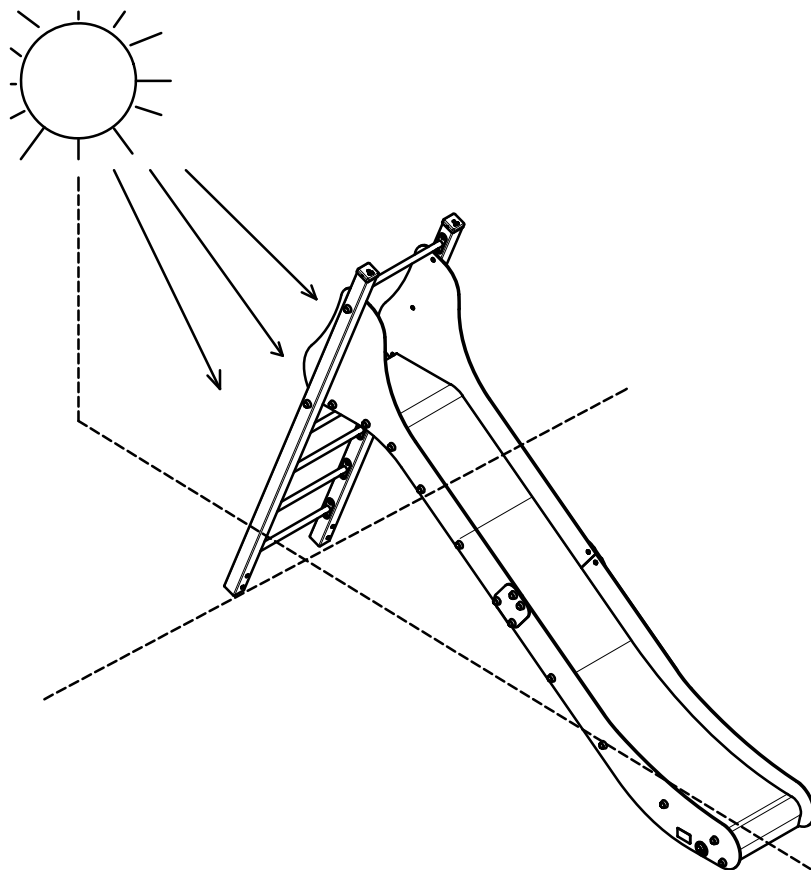
 $> 1500 \text{ Kgs/M}^3$

 $< 1500 \text{ Kgs/M}^3$



50 Kgs

90 Kgs

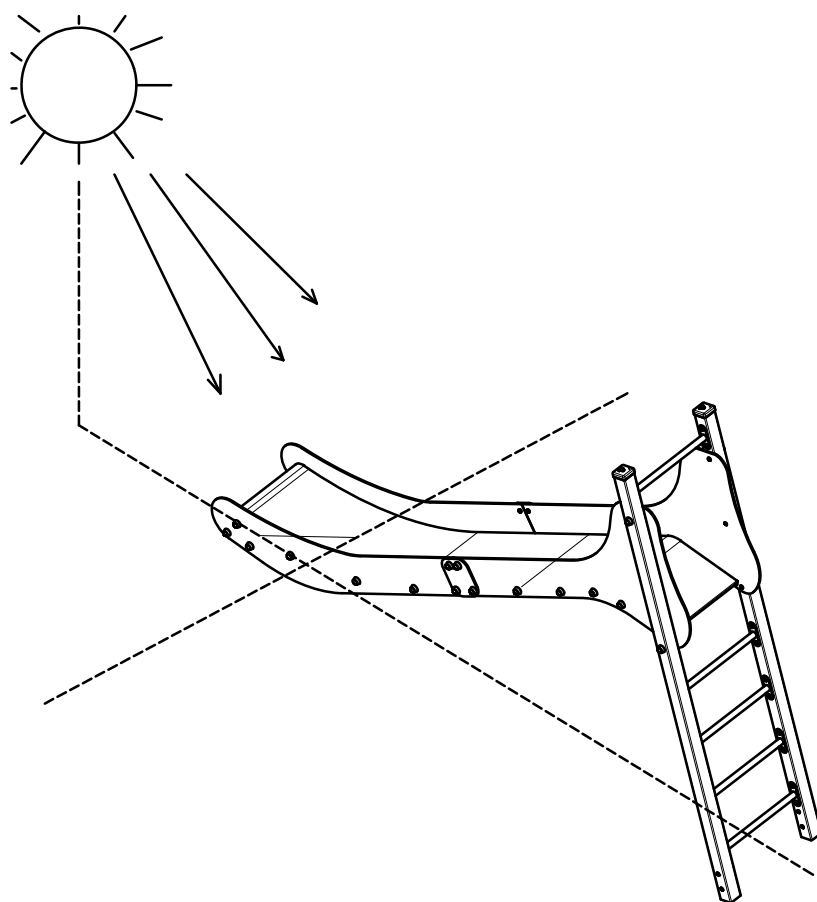


OK



FR

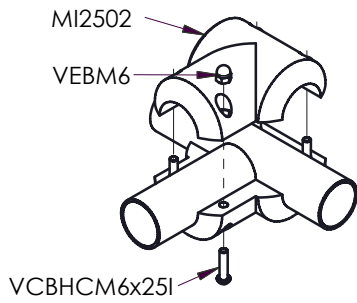
il est recommandé de ne pas orienter la glissière Sud / Sud Ouest



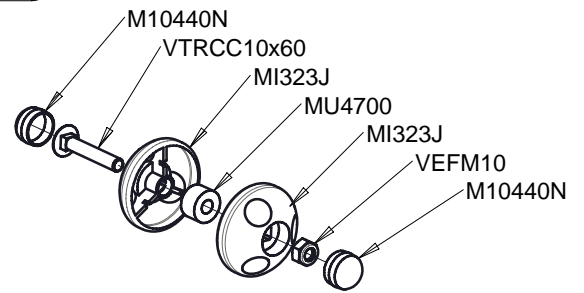
NOK



MI2502N

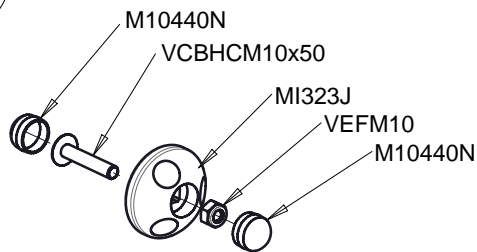


MI323J

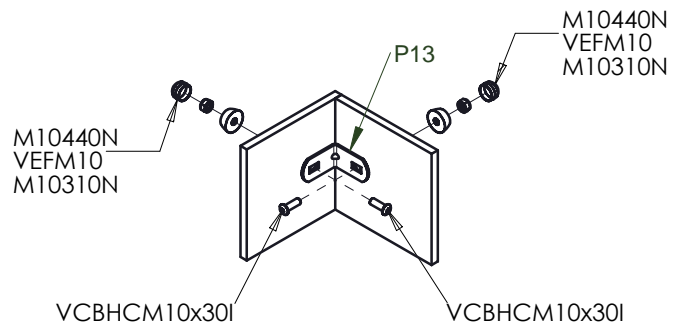


VCBHC
M10x60

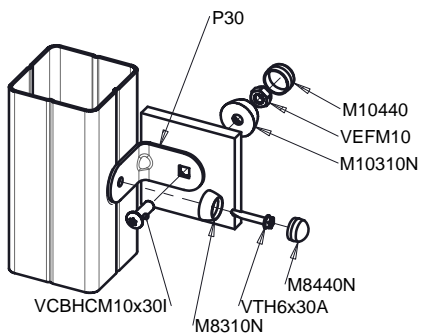
MI323J



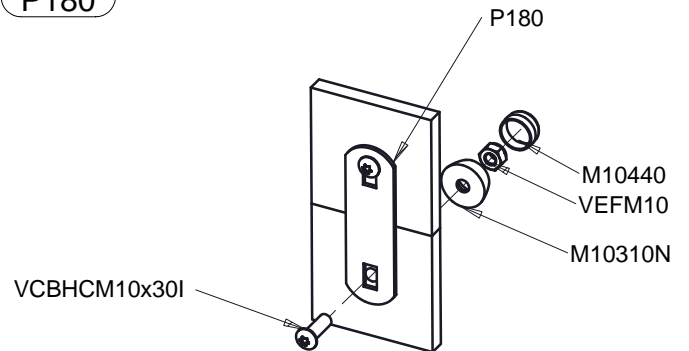
P13



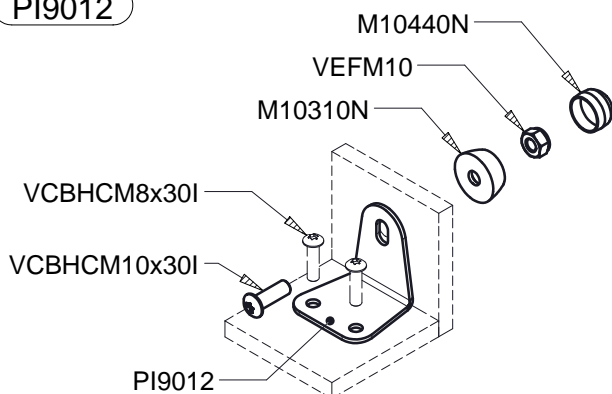
P30



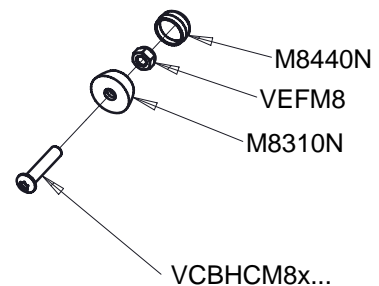
P180



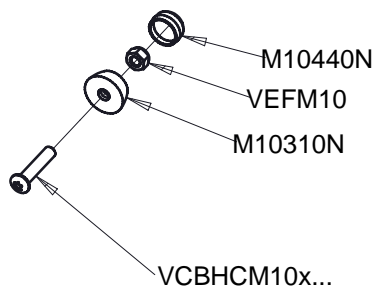
PI9012



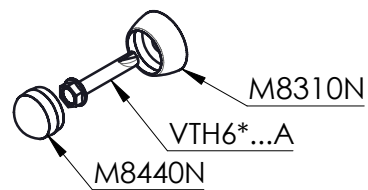
VCBHCM8x...

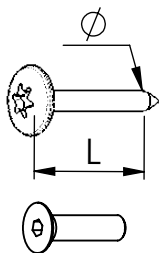


VCBHCM10x...



VTH6x...





VBT 6 x 30
 \varnothing \uparrow L (mm)

VFHC



VEC M10
 \varnothing



VEF

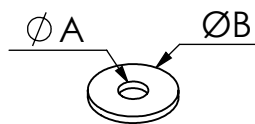


VEB

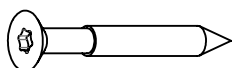
VTHA

1000 - 1800 tr/min
 Vitesse de rotation
 Rotation speed

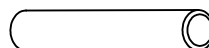
14 N.m
 Couple de rupture
 Torque of break



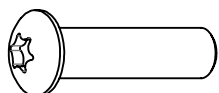
VR6x18
 $\varnothing A$ $\varnothing B$



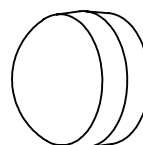
VWT



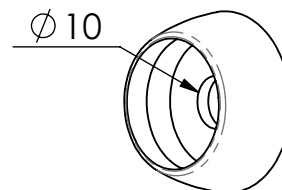
VGC



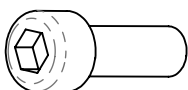
VCBHC



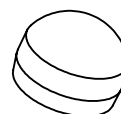
M10 440N



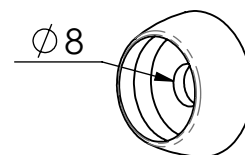
M10 310 N



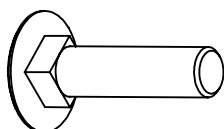
VBTR



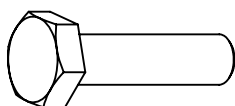
M8 440N



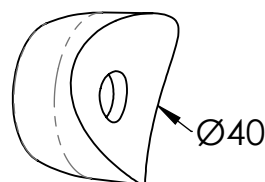
M8 310N



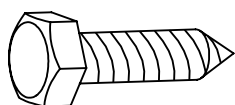
VTRCC



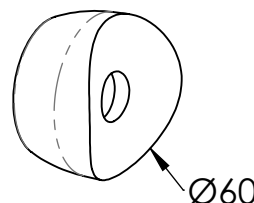
VTH



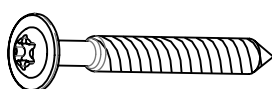
MI2503



VTF



MI2701

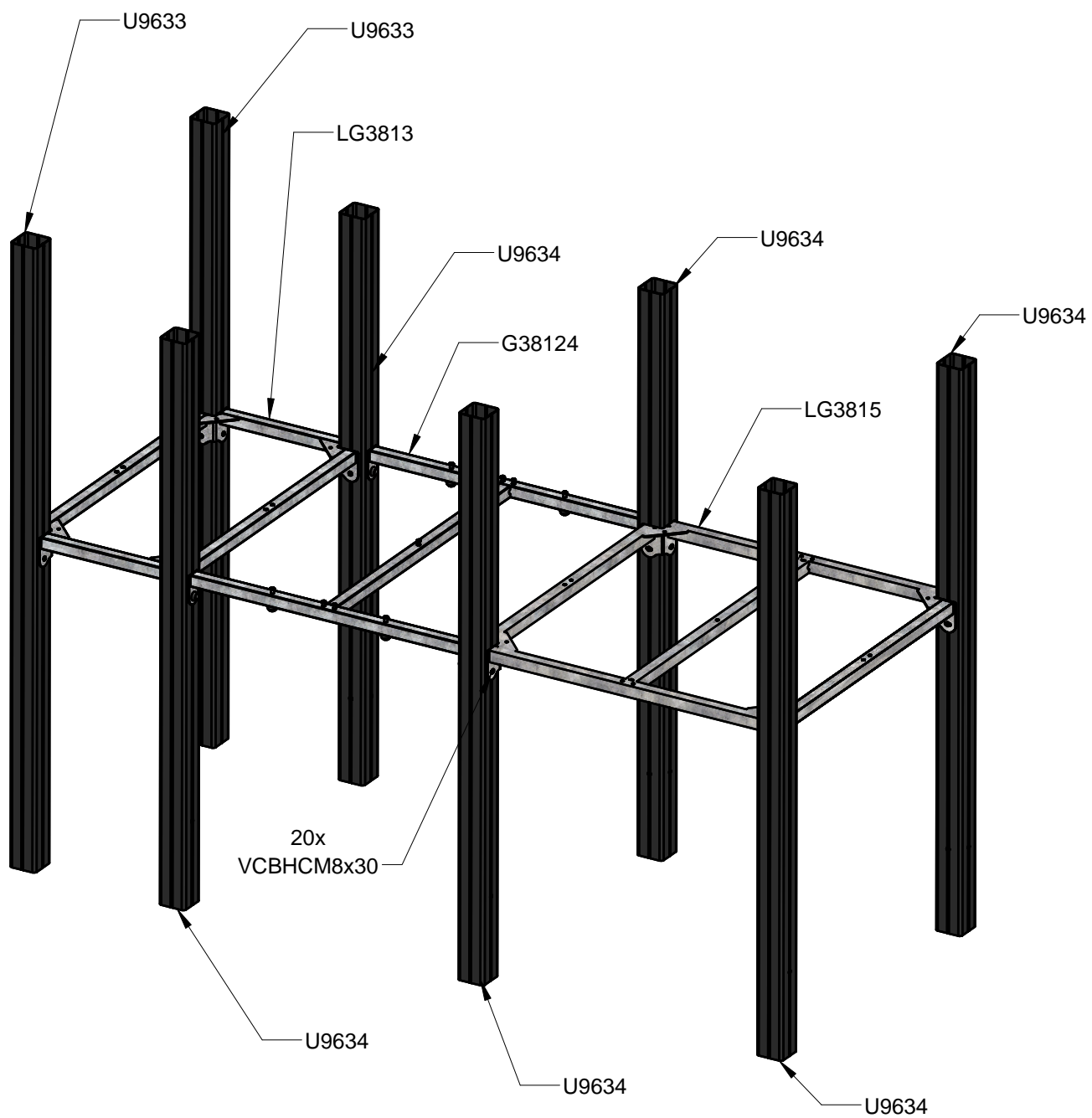


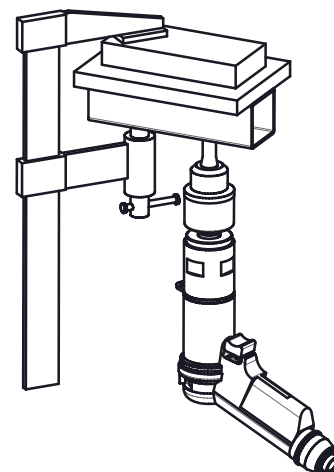
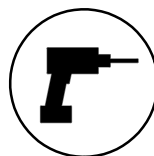
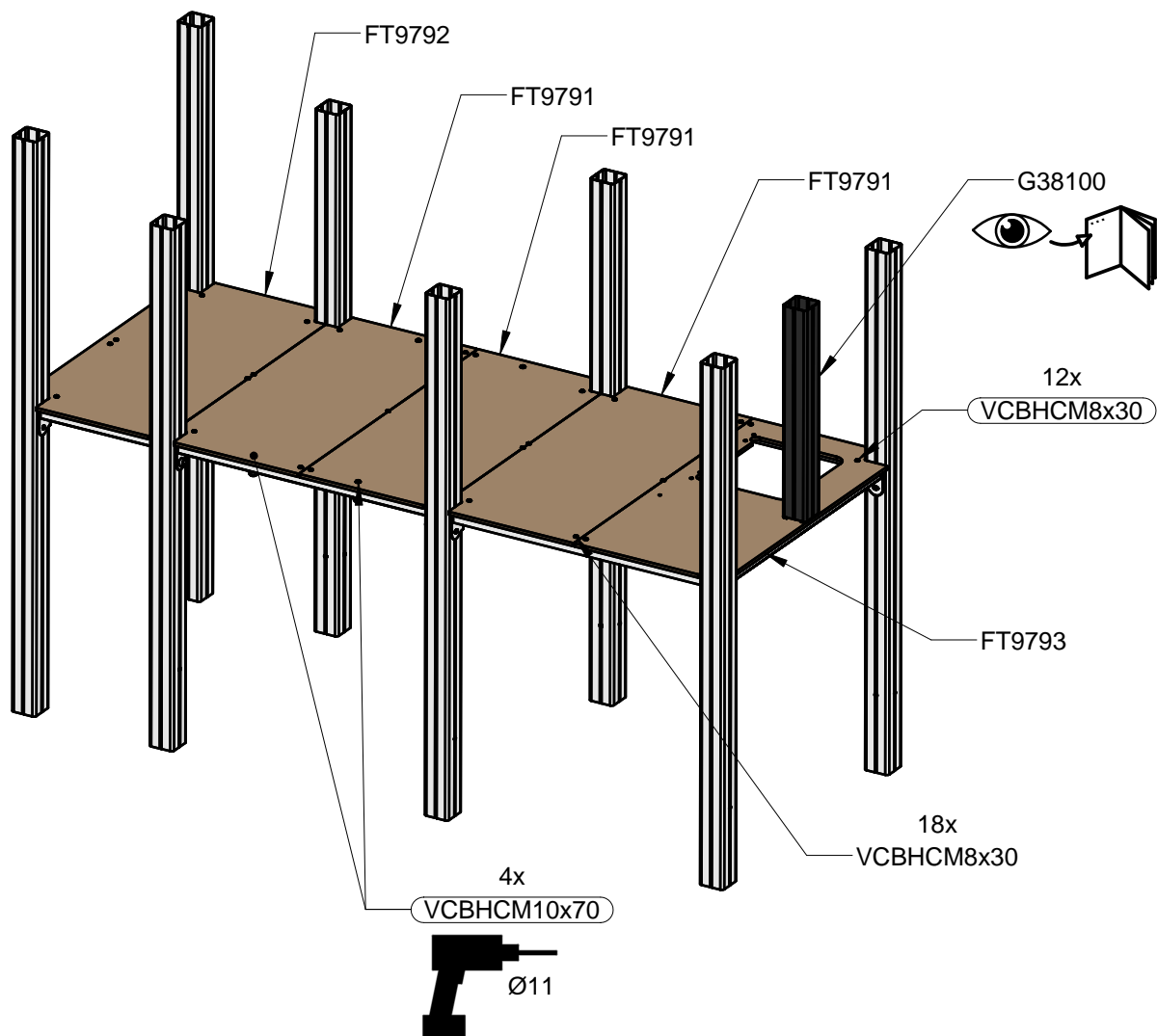
VBT

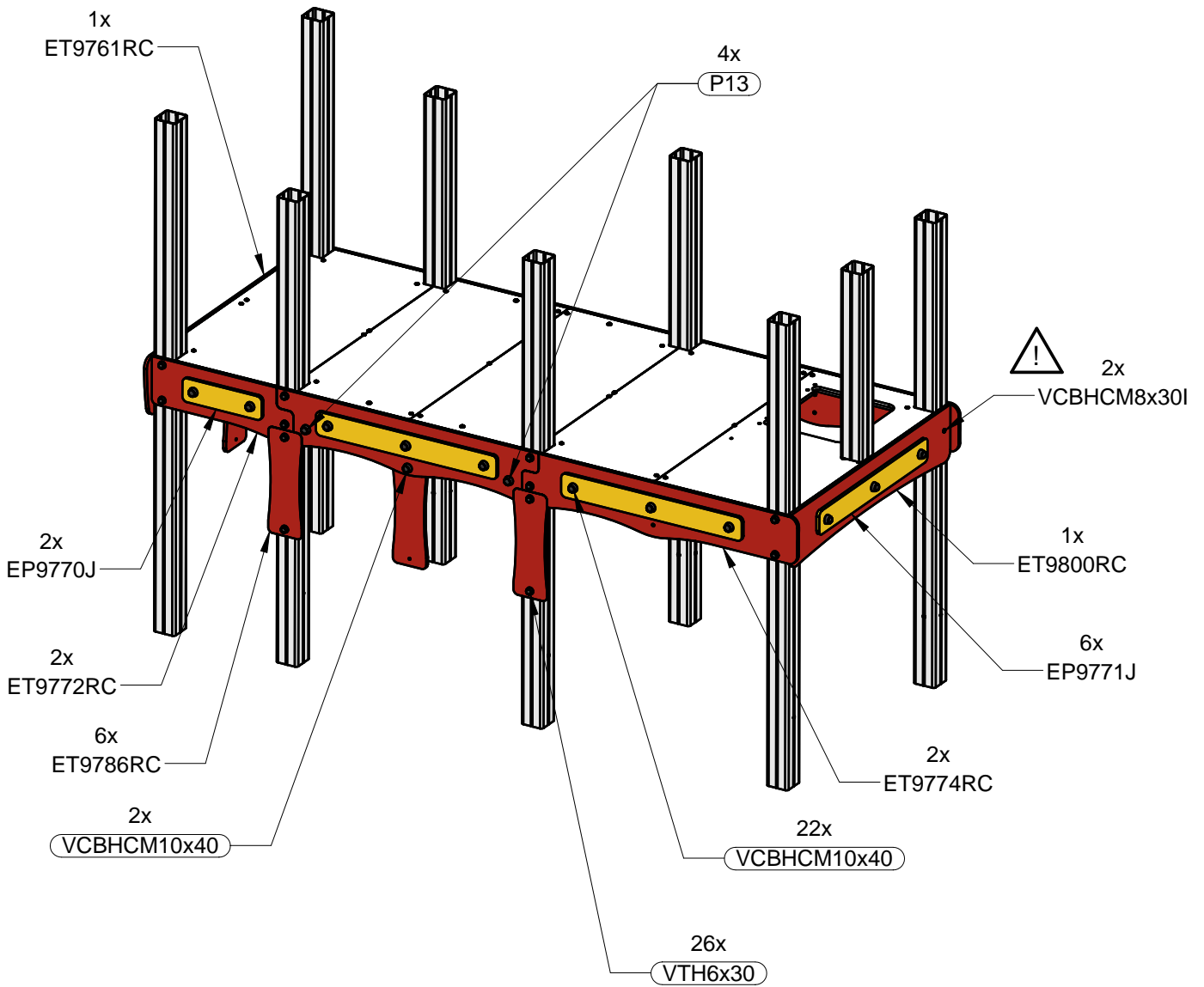
J2685 A

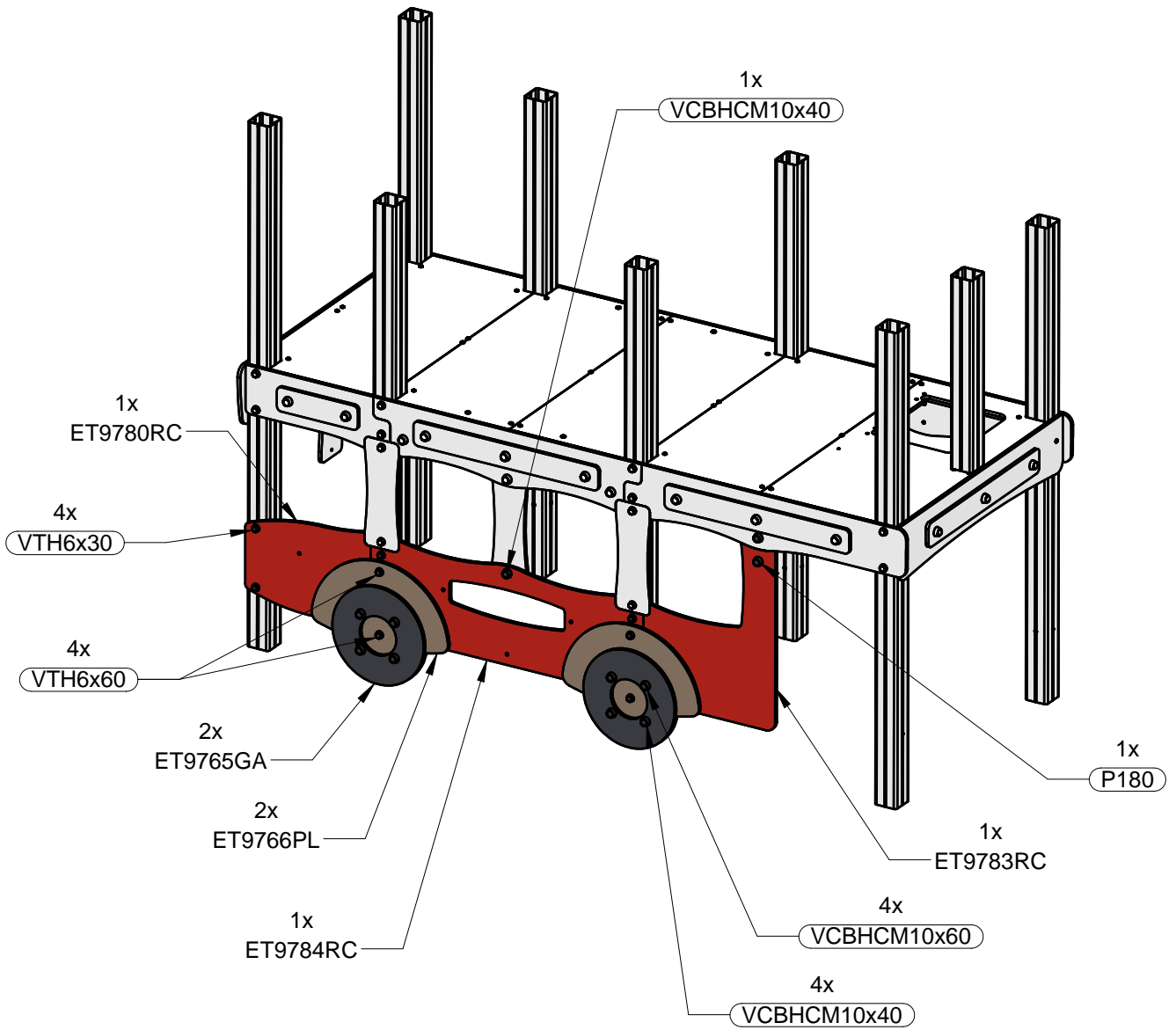
EP3353J	1	G38123	8
EP3876N	2	G38124	1
EP9770J	2	G38189	1
EP9771J	6	LG08	2
EP9778J	2	300x300x300	12
ET3925-G	1	LG3813	1
ET3926-G	1	LG3815	1
ET3927-G	1	LI2629	1
ET4093L	1	LI3384	1
ET9759PL	1	LI3929	2
ET9761RC	1	LI9534	1
ET9762RC	1	LI9535	1
ET9763PL	1	M8310N	121
ET9764GA	1	M8440N	121
ET9765GA	4	M10310N	166
ET9766PL	4	M10440N	173
ET9767L	3	MI323J	8
ET9768L	3	MI810N	2
ET9769RC	1	MI2502N	4
ET9772RC	2	MU2614	2
ET9773RC	2	MU3908	4
ET9774RC	2	MU3909	2
ET9775RC	1	MU4700	3
ET9776RC	2	P13	17
ET9777RC	1	P30	15
ET9780RC	1	P180	4
ET9781RC	1	PI9012	5
ET9782RC	1	U9527	1
ET9783RC	1	U9568	1
ET9784RC	1	U9633	2
ET9786RC	6	U9634	6
ET9787RC	1	U38109	1
ET9788RC	1	VCBHCM6x25I	8
ET9789PL	1	VCBHCM8x30I	48
ET9790RC	1	VCBHCM10x30I	81
ET9799PL	2	VCBHCM10x40I	59
ET9800RC	1	VCBHCM10x60I	15
ET9801PL	2	VCBHCM10x70I	4
ET26039RC	1	VEBM6	8
ET26040RC	1	VEFM8	17
ET26041RC	1	VEFM10	166
ET26042RC	1	VR10x40	6
ET26043RC	1	VTH6x30A	90
FT9791	3	VTH6x60 AUTO	14
FT9792	1	VTH10x60	3
FT9793	1	VTH10x70	1
FT9794	1	VTH10x90	1
FT9795	1		
G38100	1		
G38117	1		

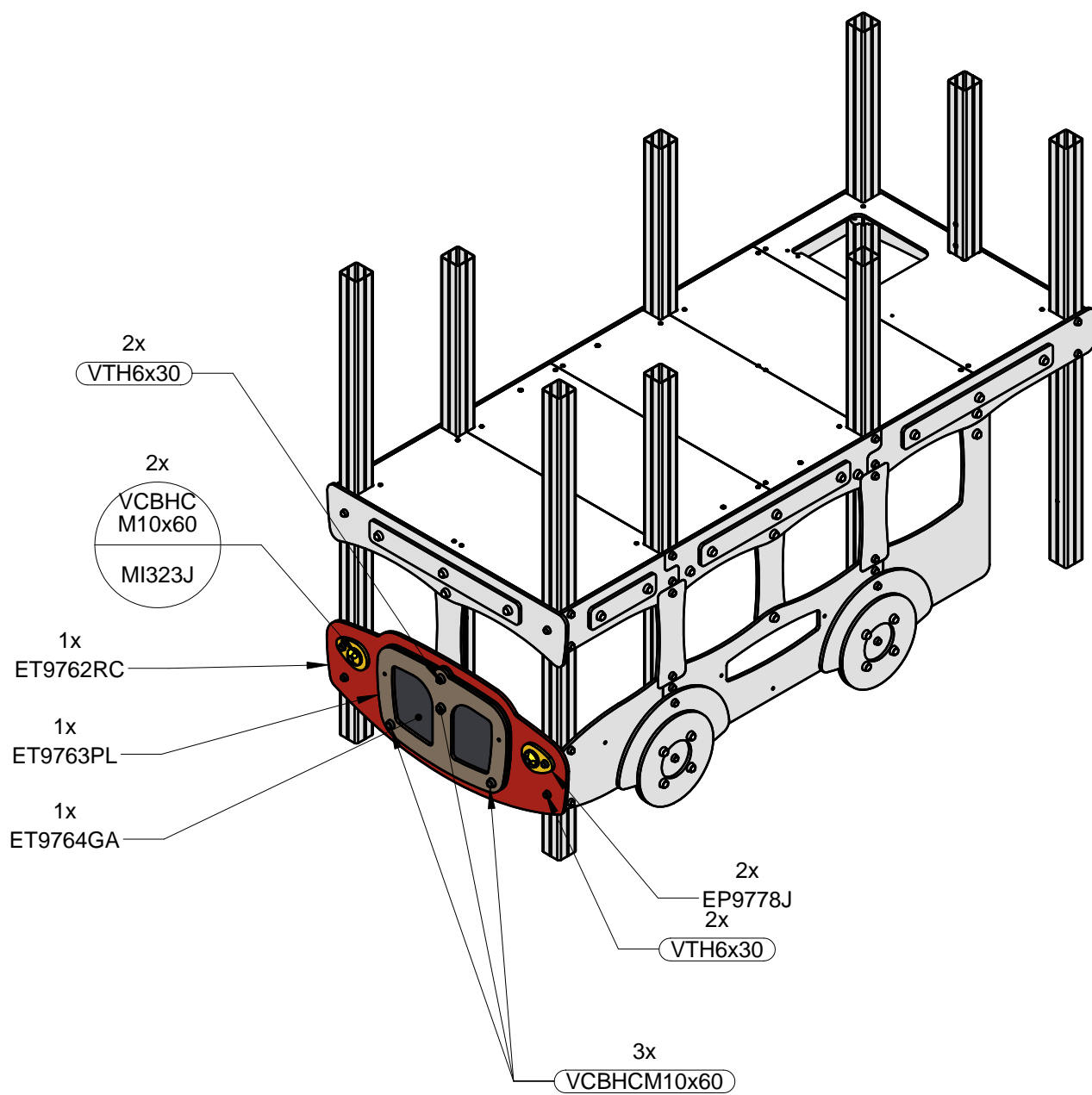


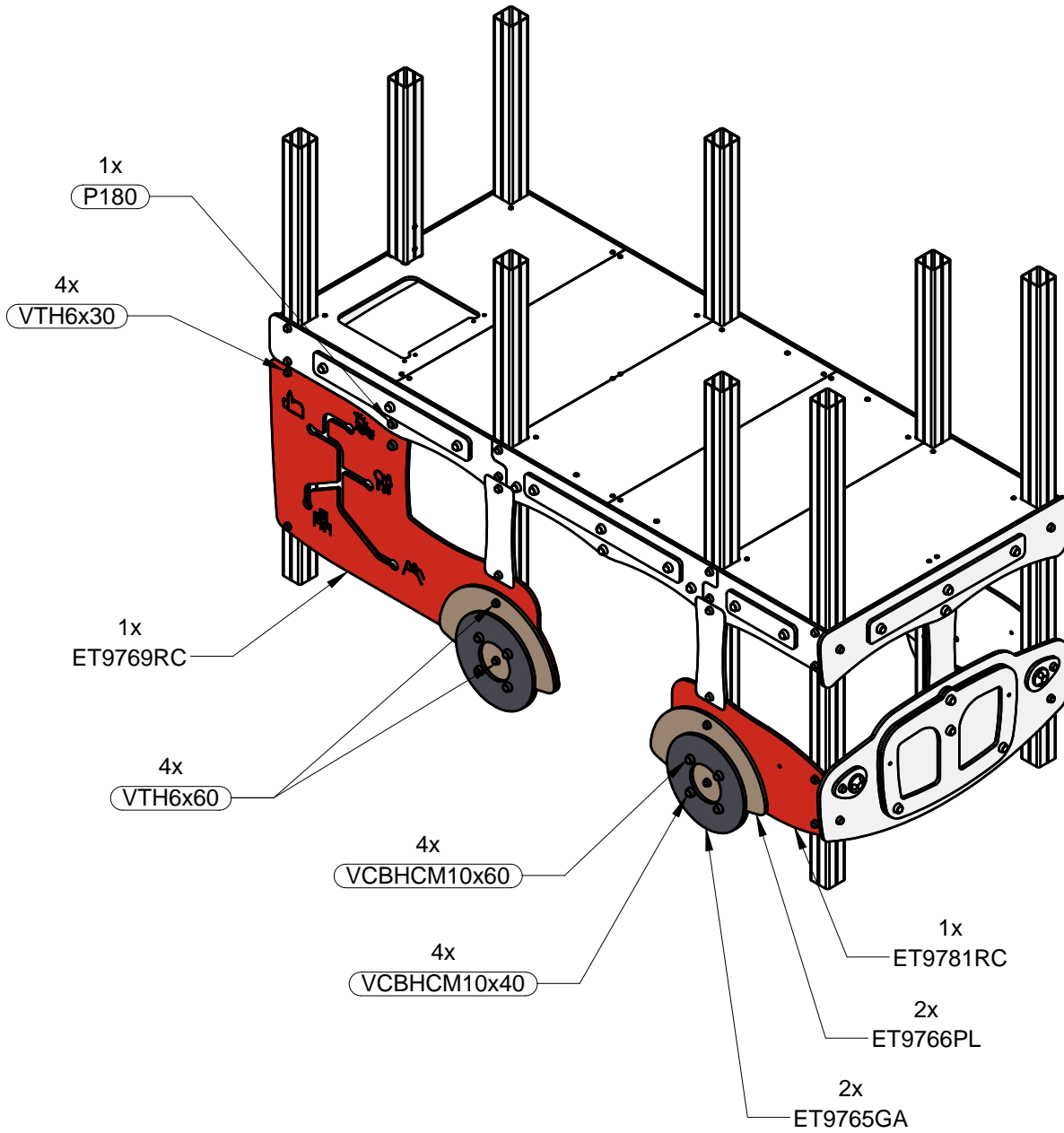


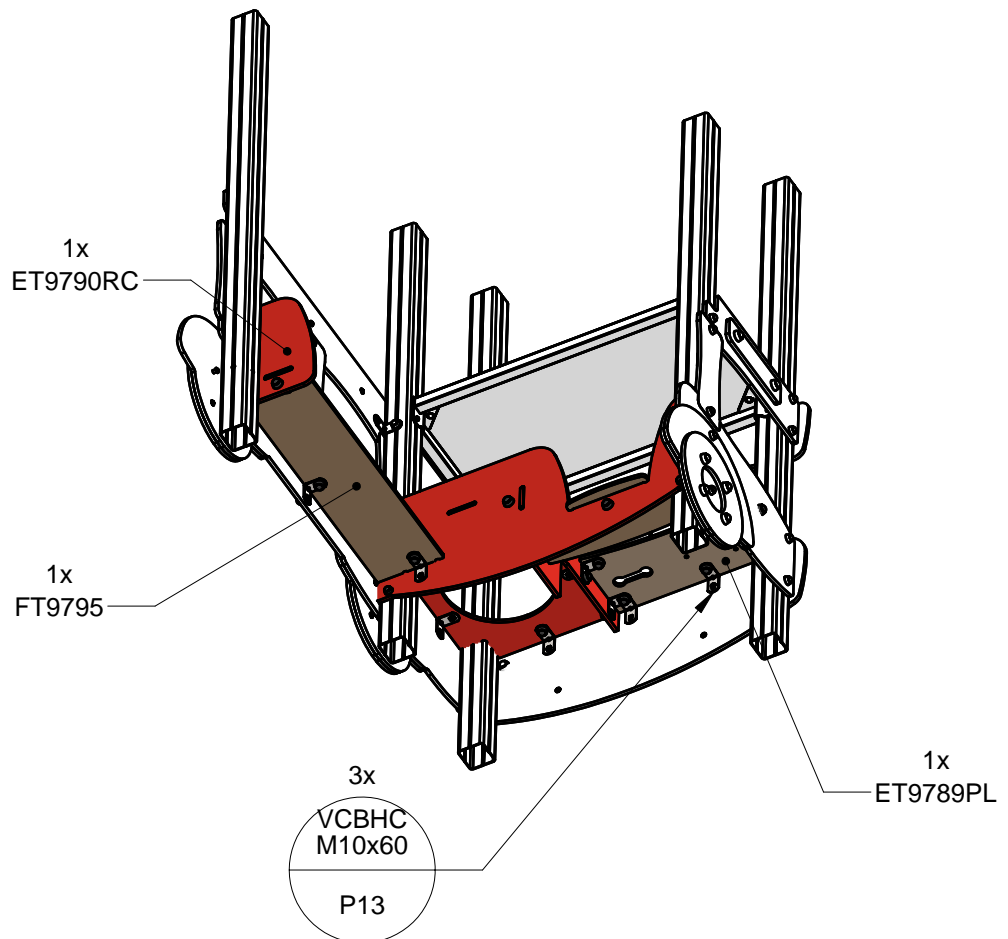
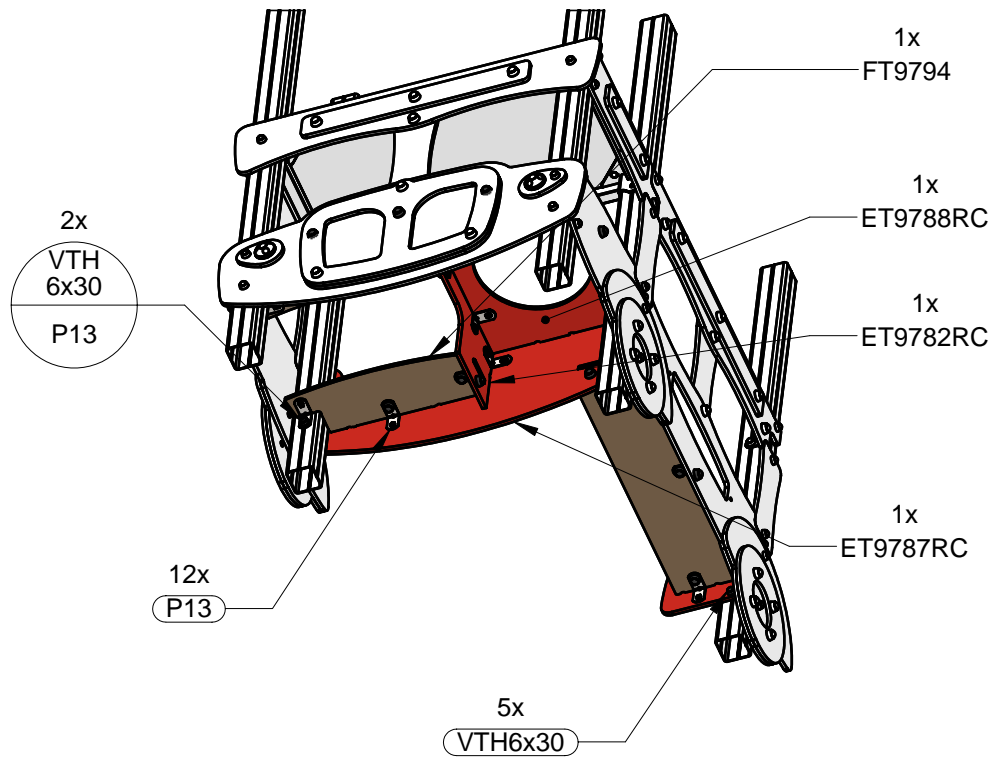


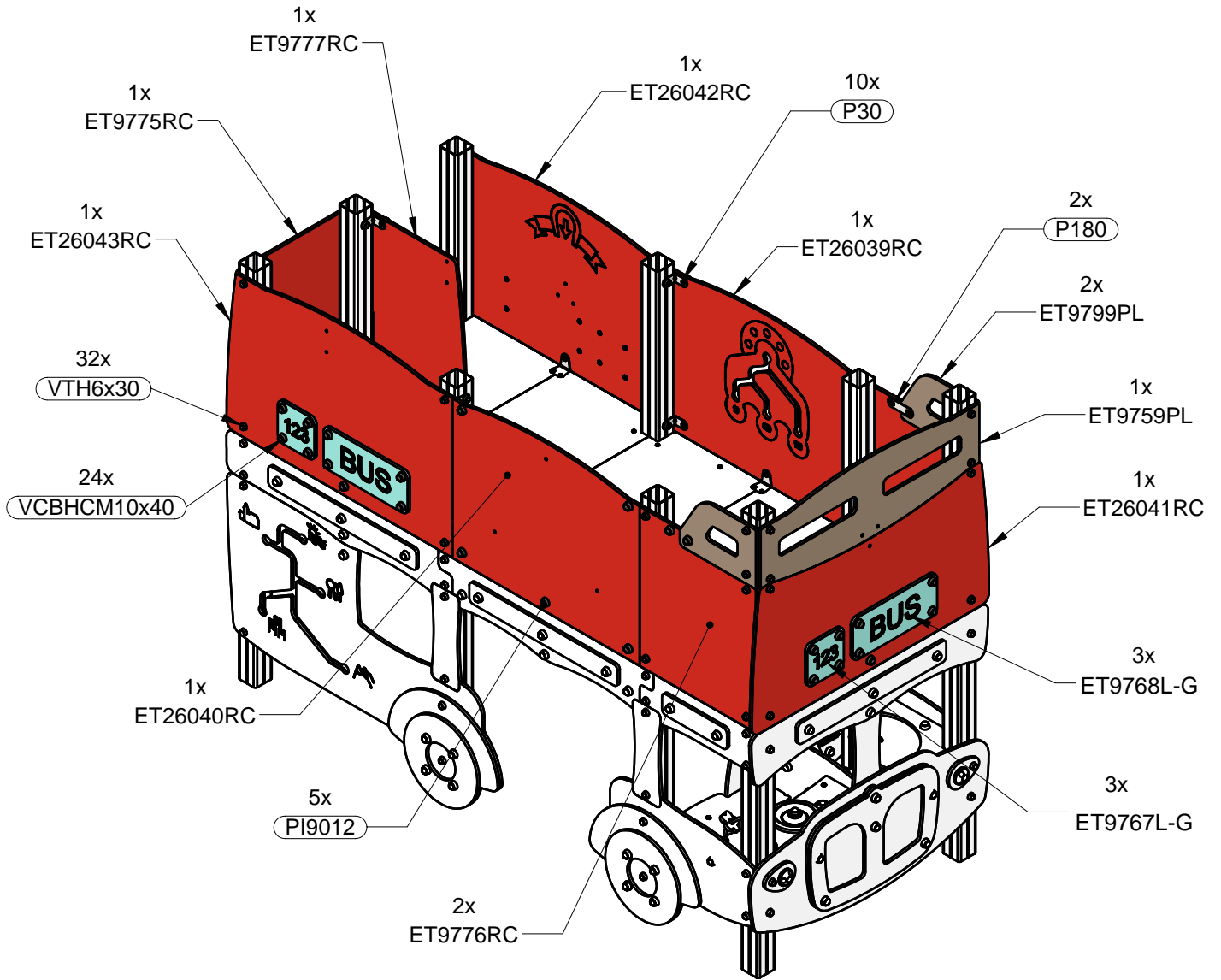


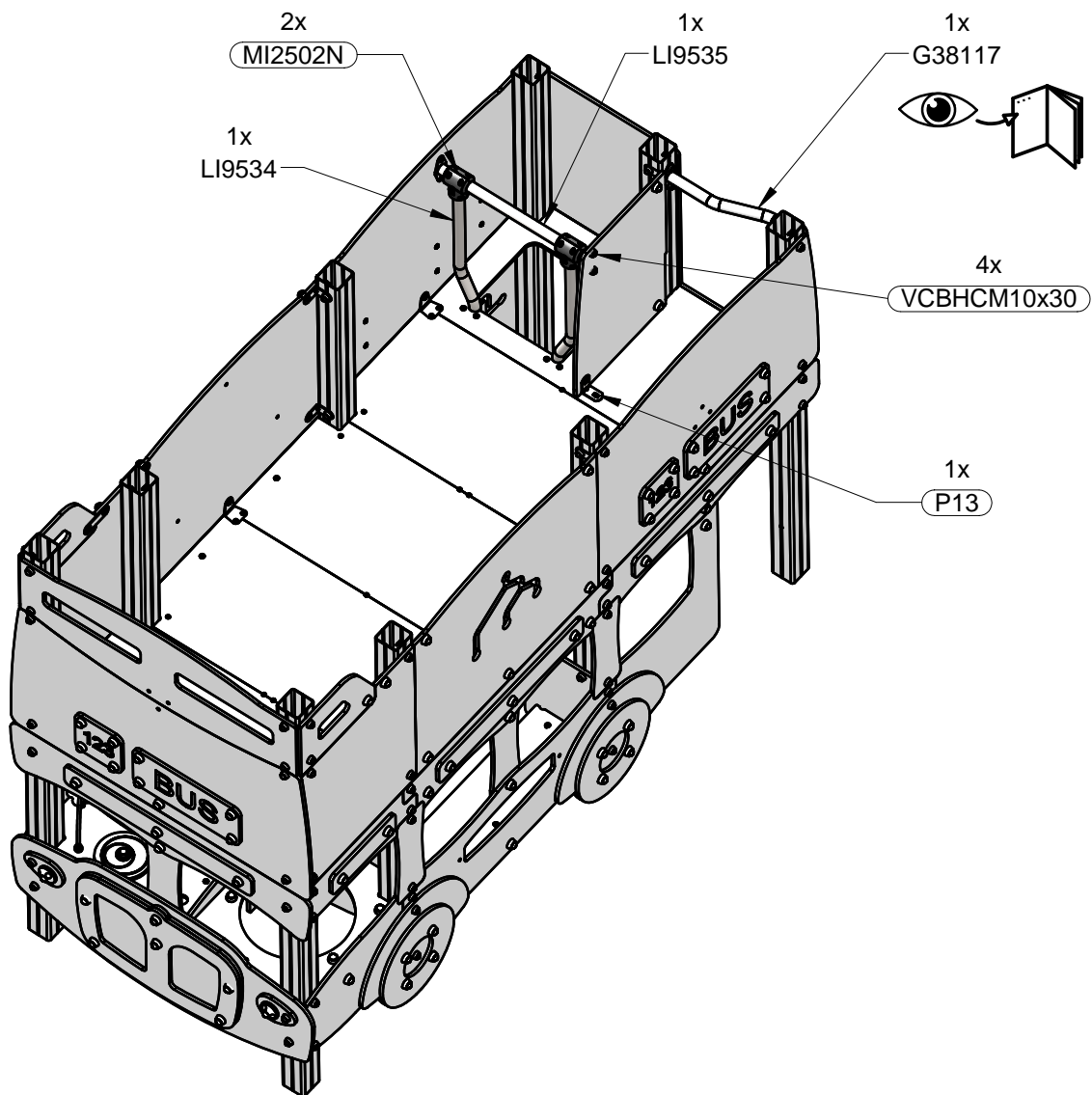


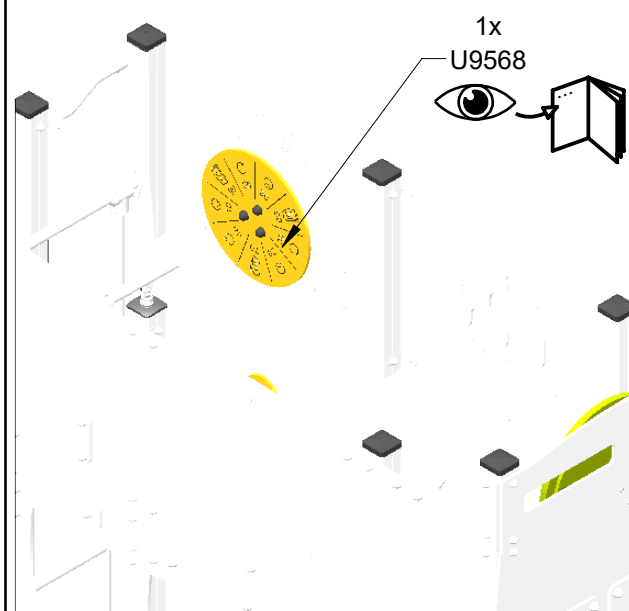
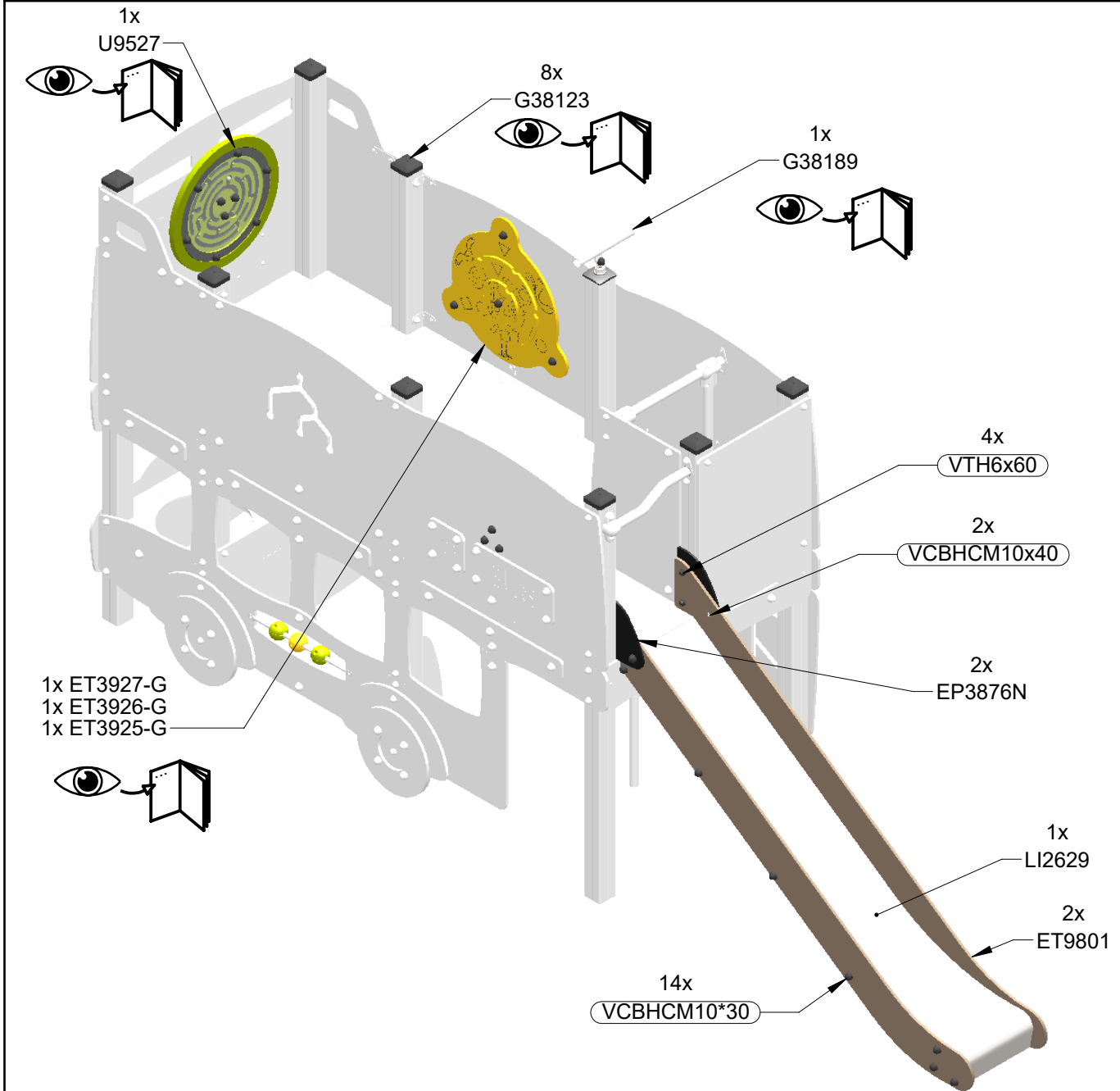


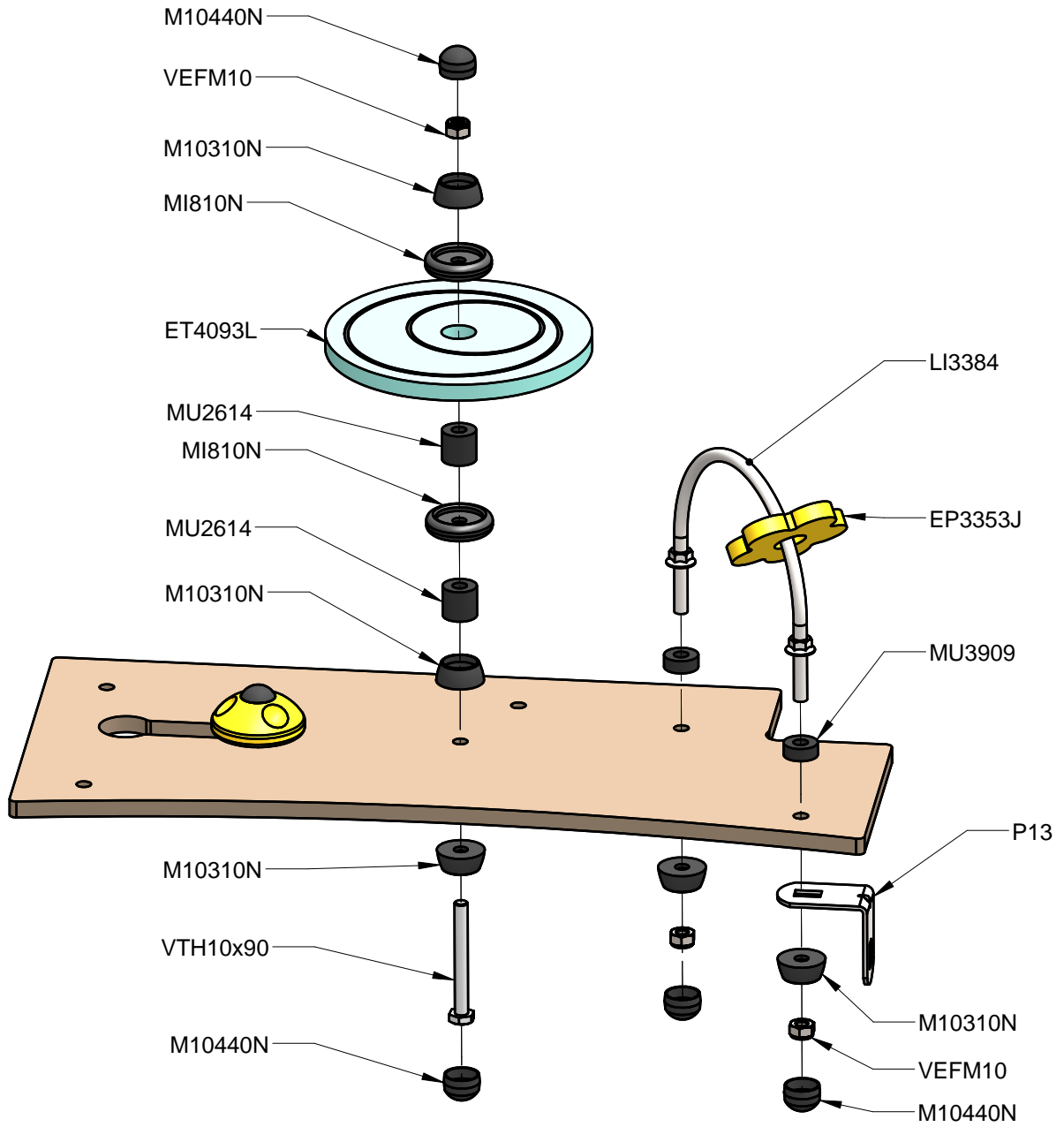


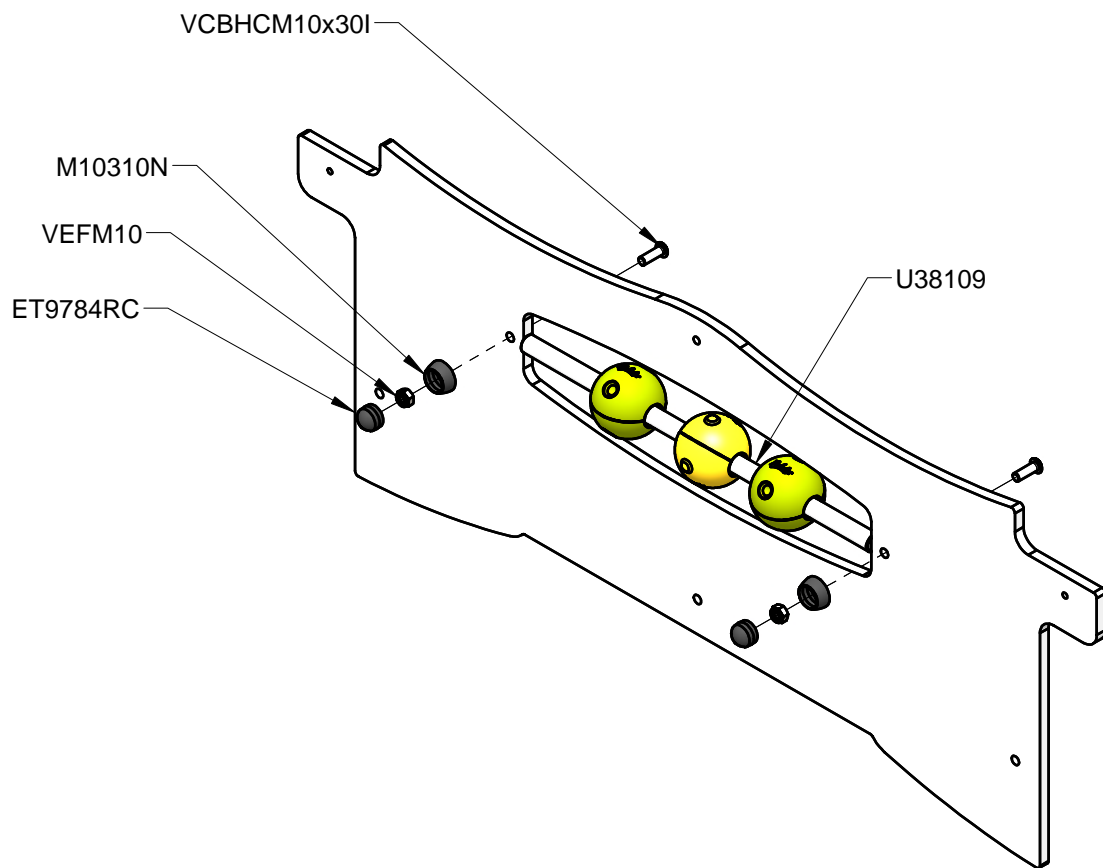




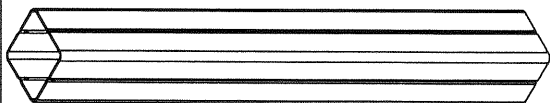




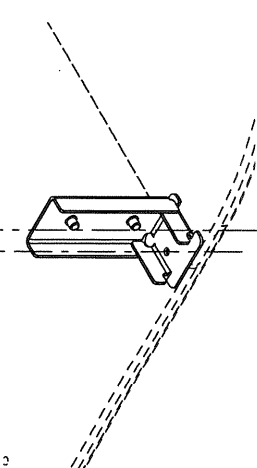




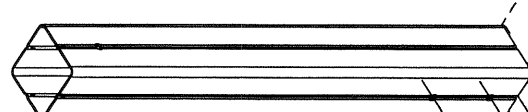
1



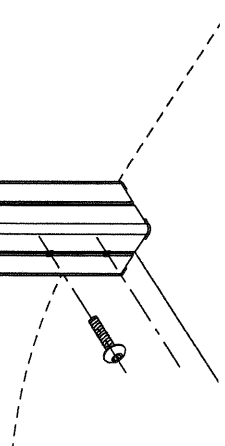
VCBHC8*30I
X2



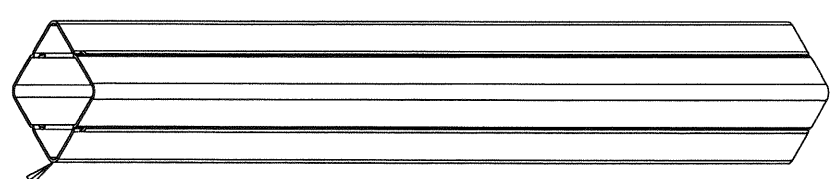
2



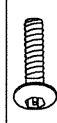
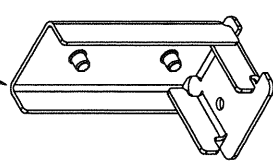
VCBHC10*30I
X2



LGP3834



LG3812



VCBHC10X30I

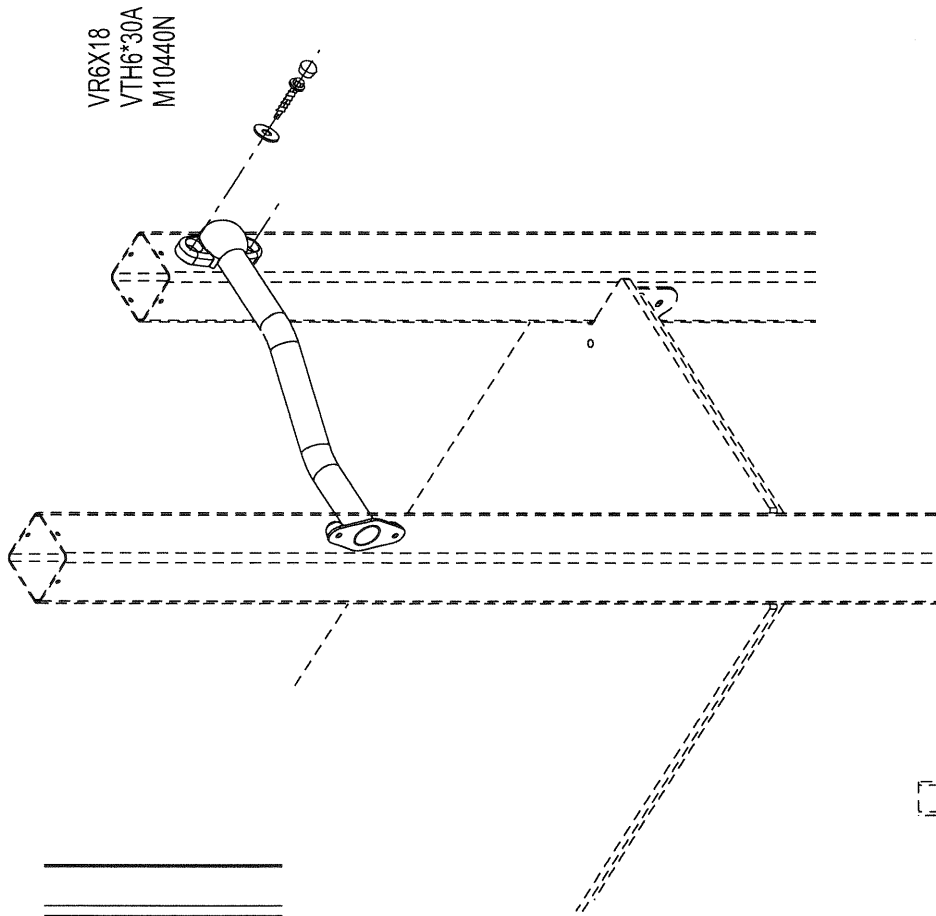
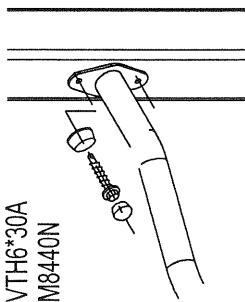
2



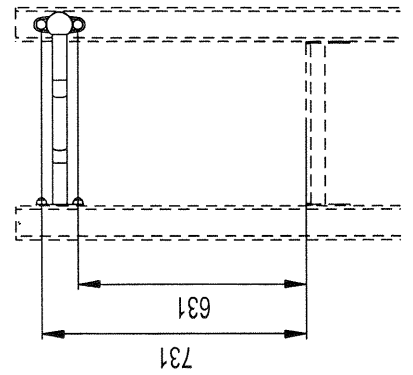
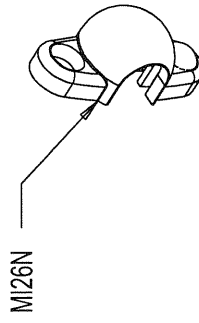
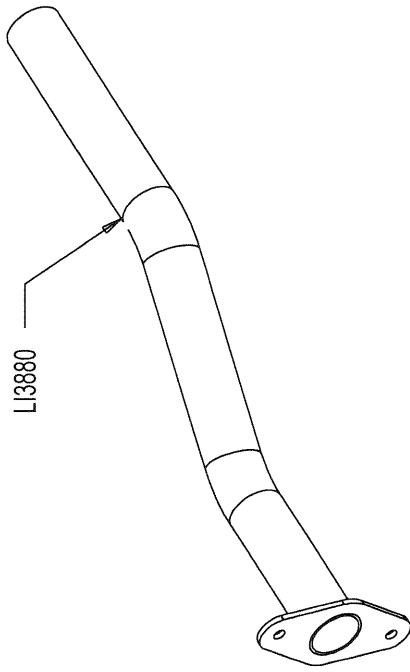
VCBHC8X30I

2

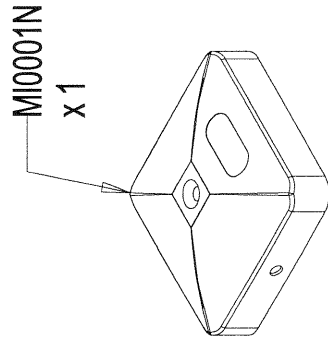
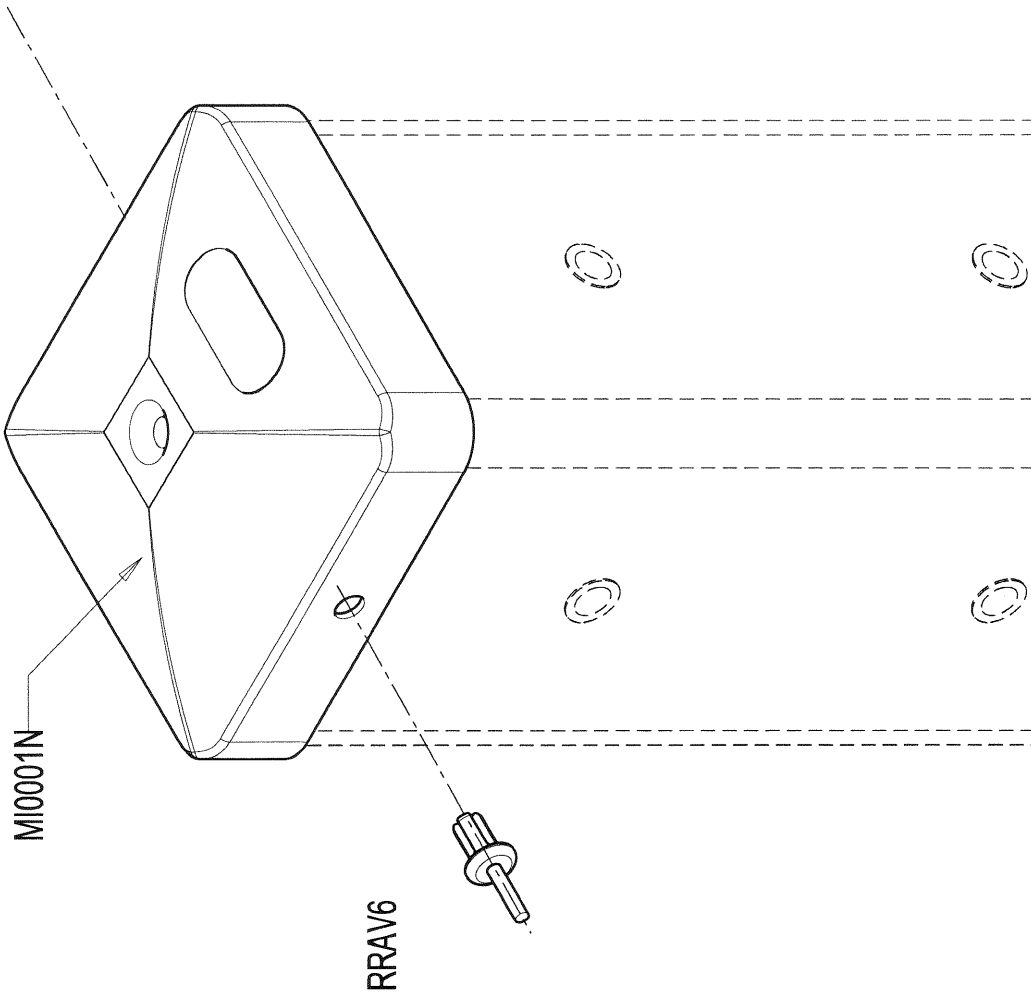
M8310N
VTH6*30A
M8440N



VR6X18
VTH6*30A
M10440N

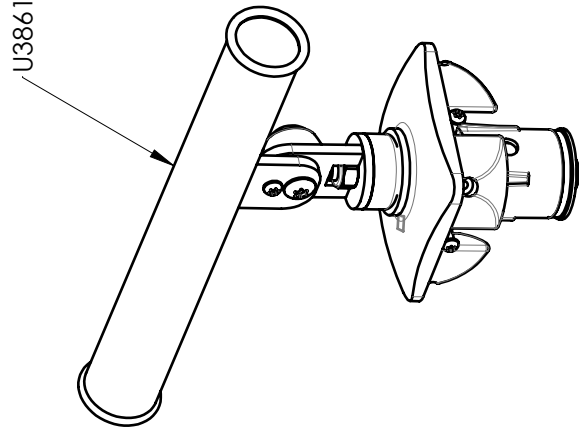
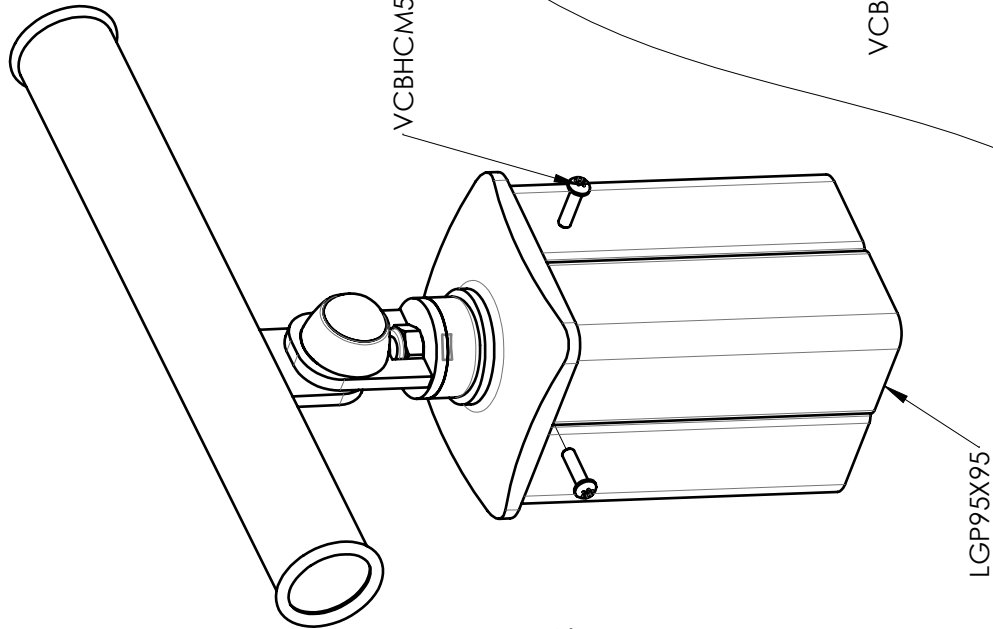


	VR6X18	2
	VTH6X30A	4
	M8440N	2
	M8310N	2
	M10440N	2



RRAV6

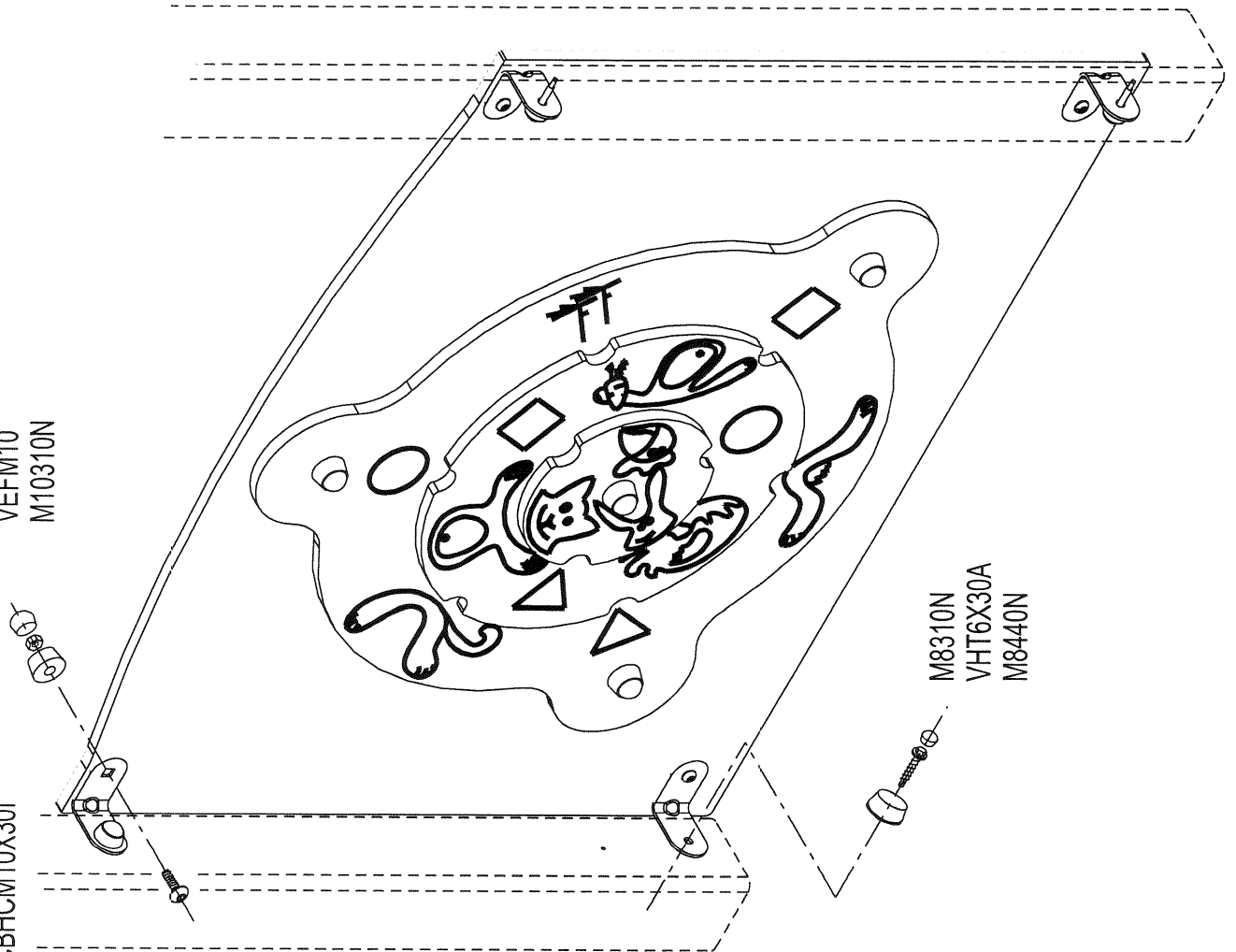
2



Réf	Qté
U3861	1
VCBHC5x20I	4

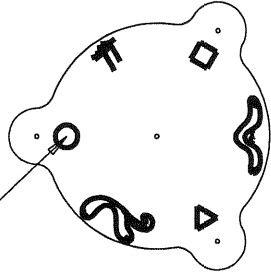
M10440N
VEFM10
M10310N

VCBHCM10X30I



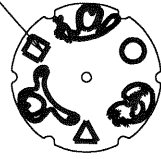
ET38940F

ET3927-G



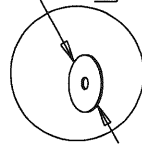
ET3926-G

ET3925-G

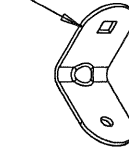


Ø100

L13929 x2



P30
x4



	VCBHCM10x70I	3
	VTH 10x70	1
	MU 3908	4
	VCBHCM10x30I	4
	M8440N	4
	M8310N	4
	M10440N	9
	M10310N	9
	VEFM10	8
	VHT6X30A	4

