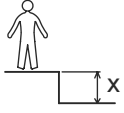
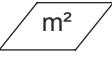




N°		
1	0.6 m	19 m ²

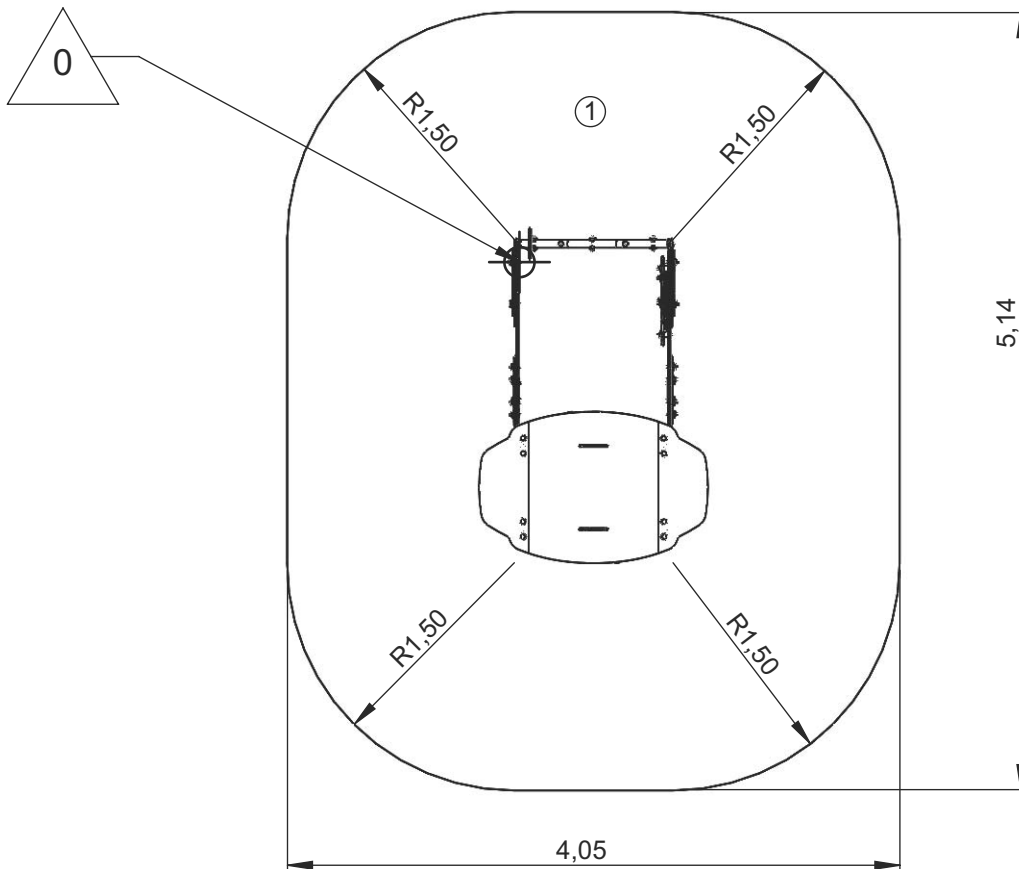
— Zone d'impact
Impact area
Area de impacto
Fallraum
Valzone

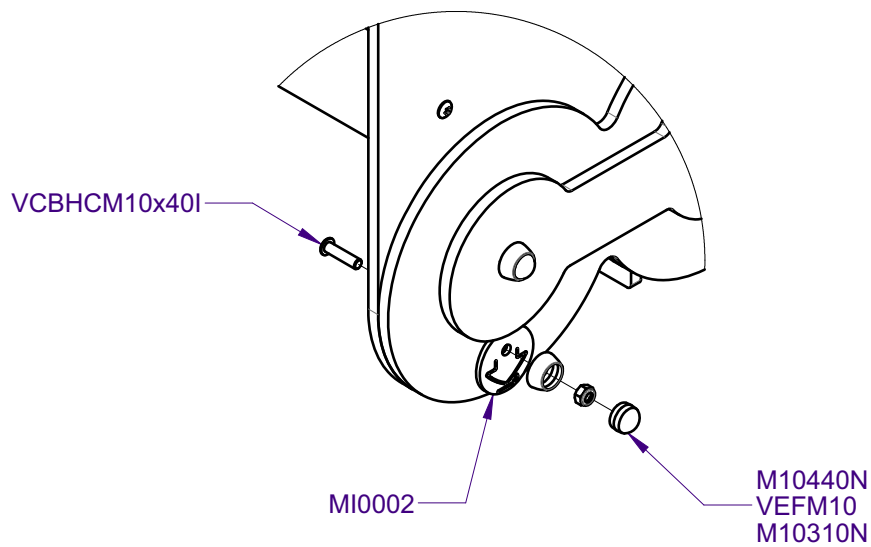
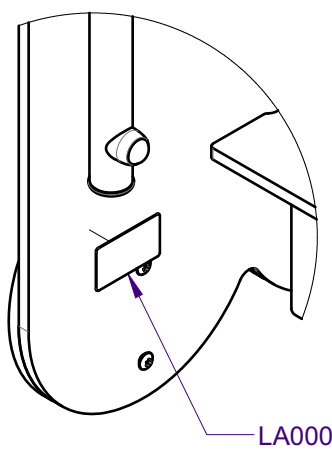
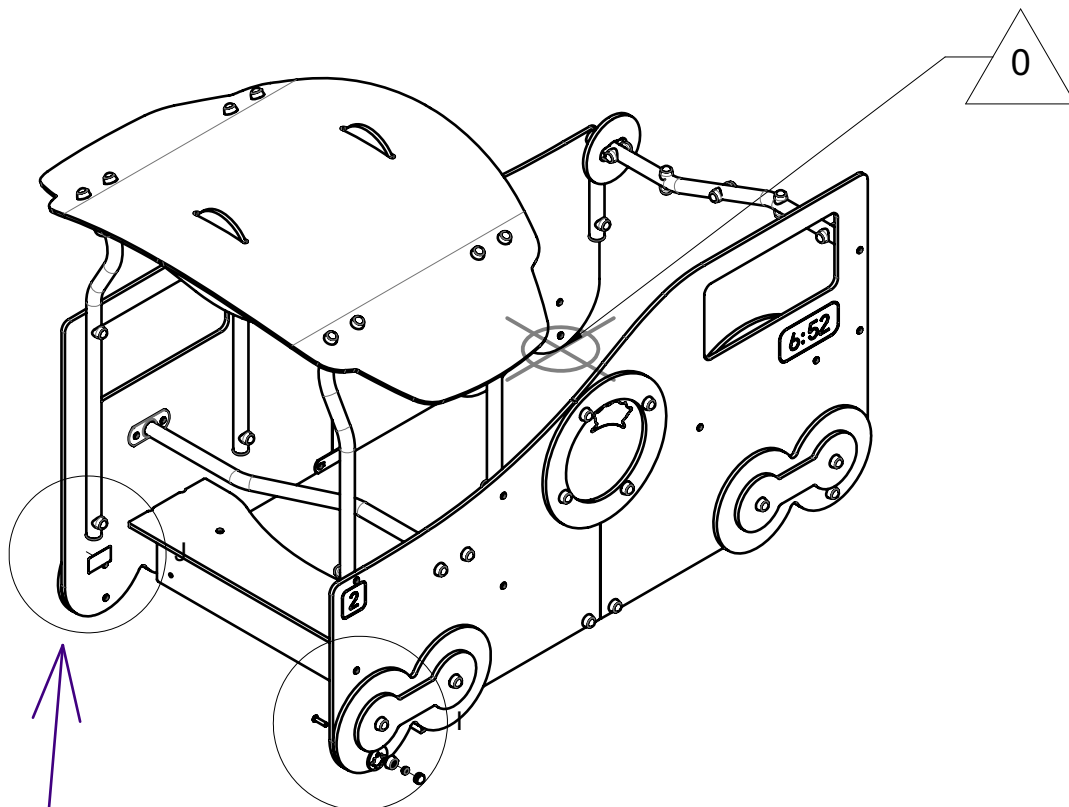


Point de référence
Setting out point
Punto de referencia
Bezugspunkt
Referentiepunt

- - - Espace libre
Free space
Espacio libre
Freiraum
Vrije ruimte

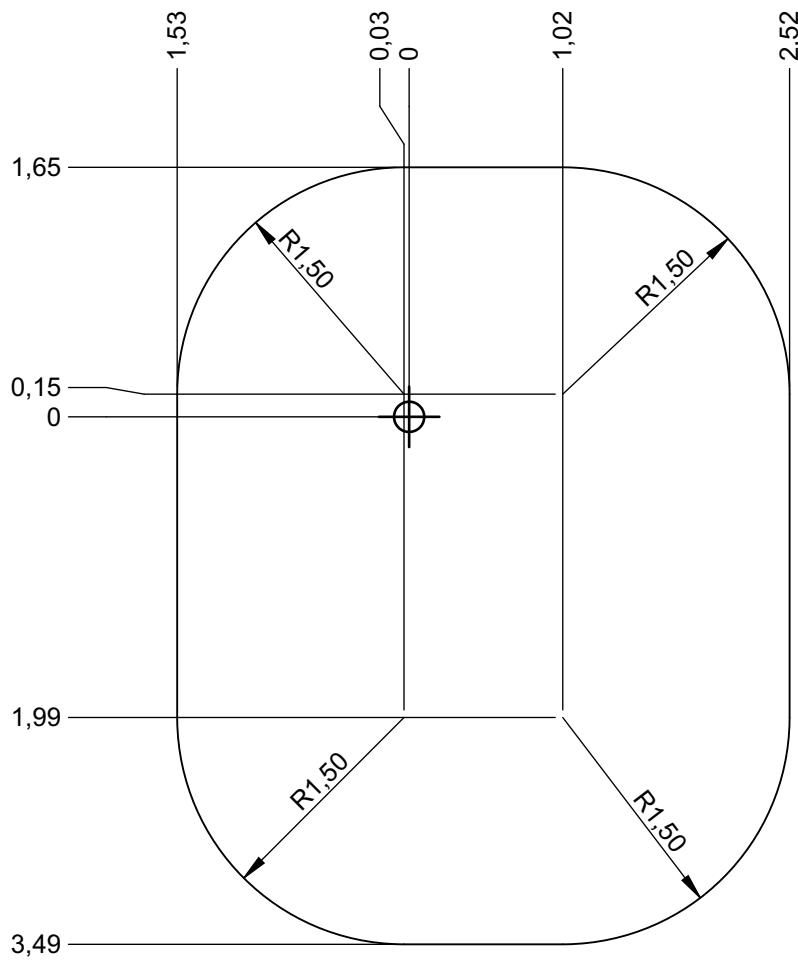
EN1176-1:2017





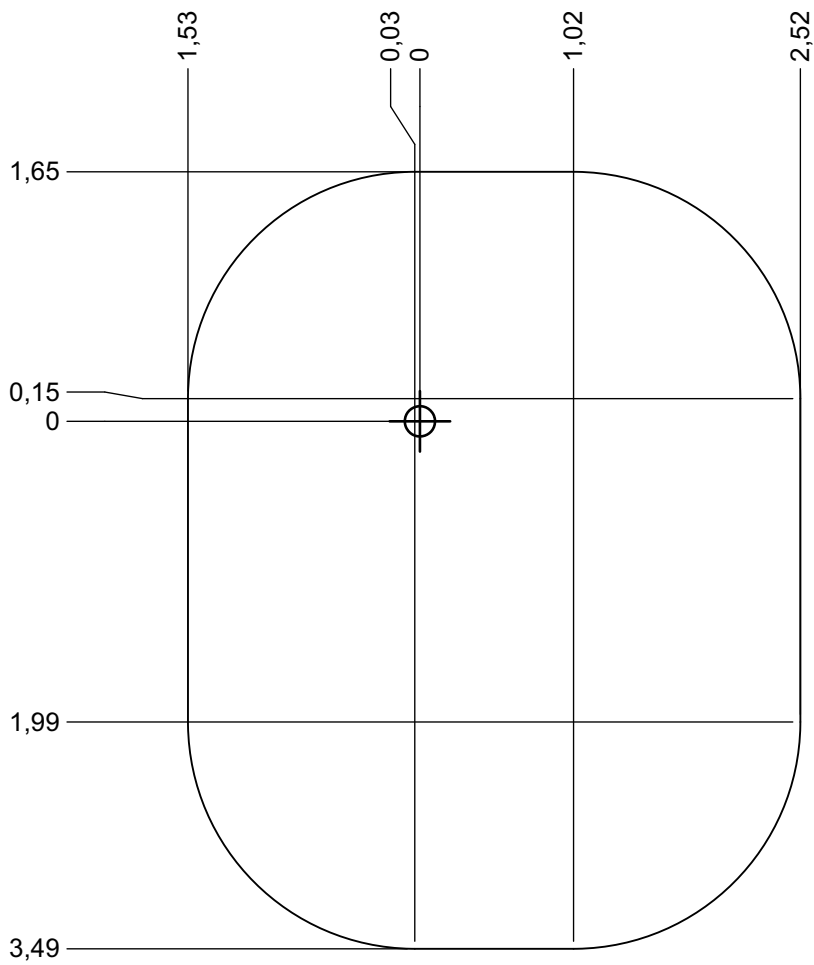
— Zone d'impact
Impact area
Area de impacto
Fallraum
Valzone

19 m²



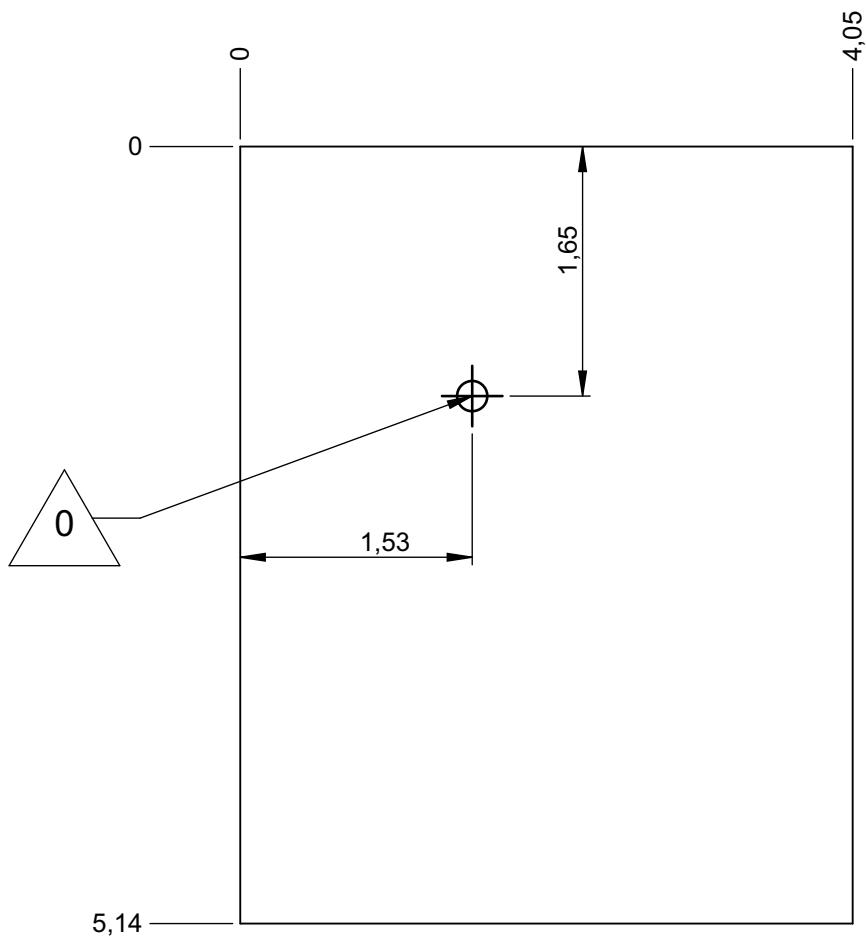
— Sol souple
Wetpour
Caucho continuo
Synthetischer fallschutz
Gietvloer

19 m²

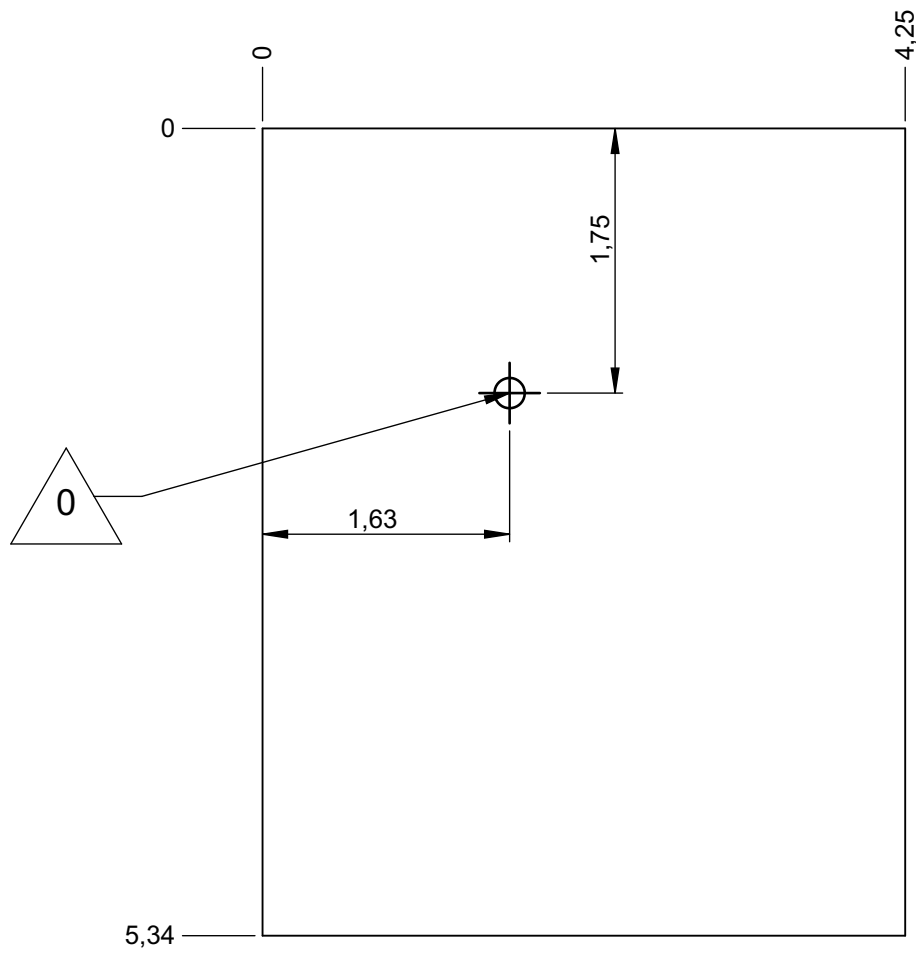


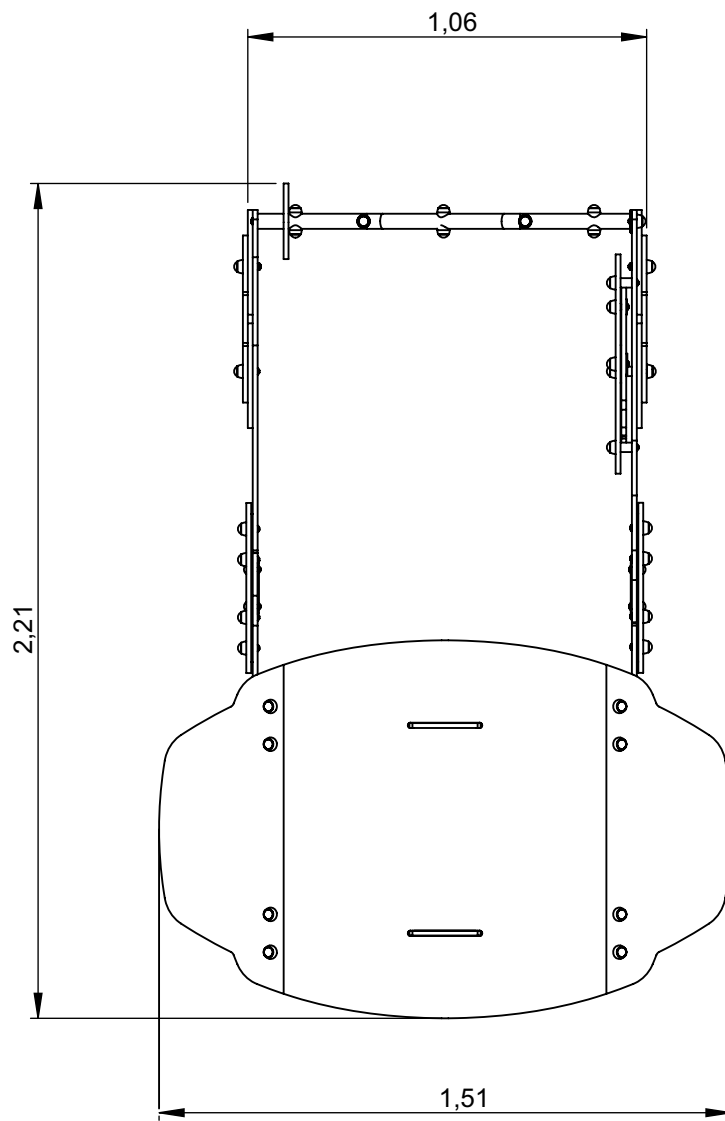
— Dalle béton
Concrete pad
Solera de hormigon
Beton bodenplatte
Betonnen bodemplaat

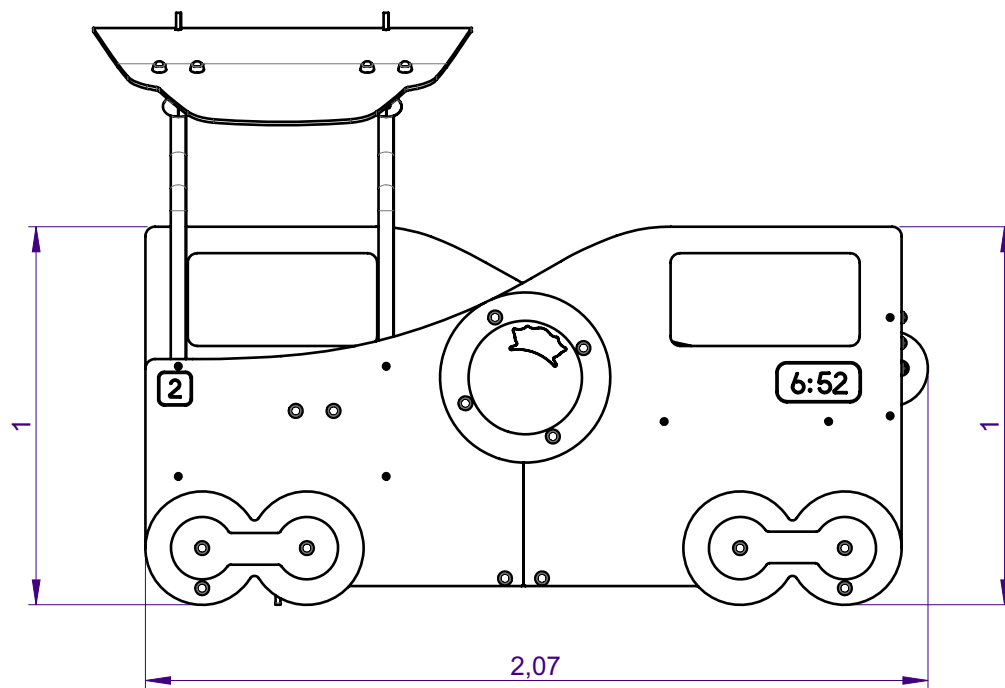
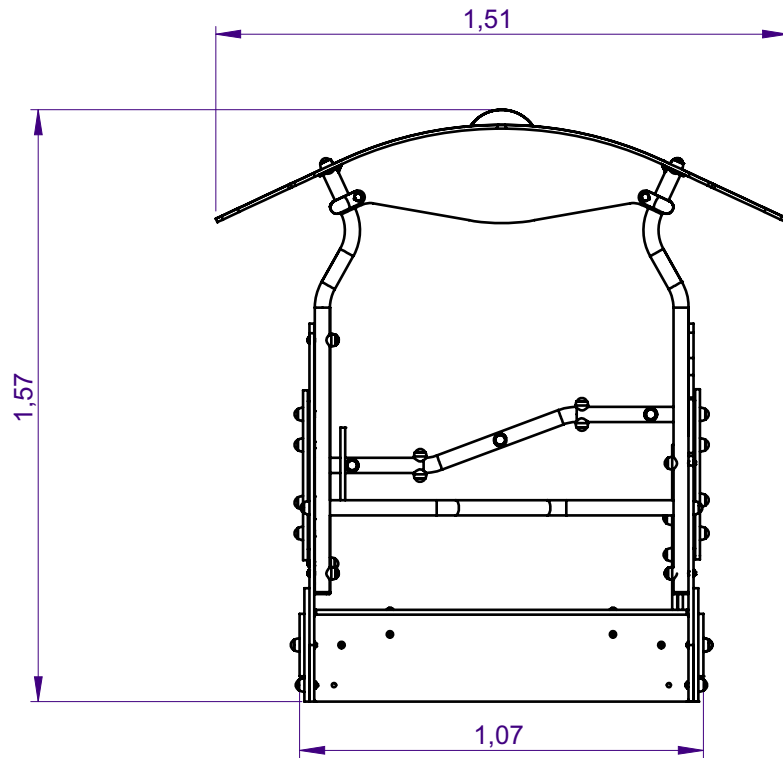
19 m
21 m²



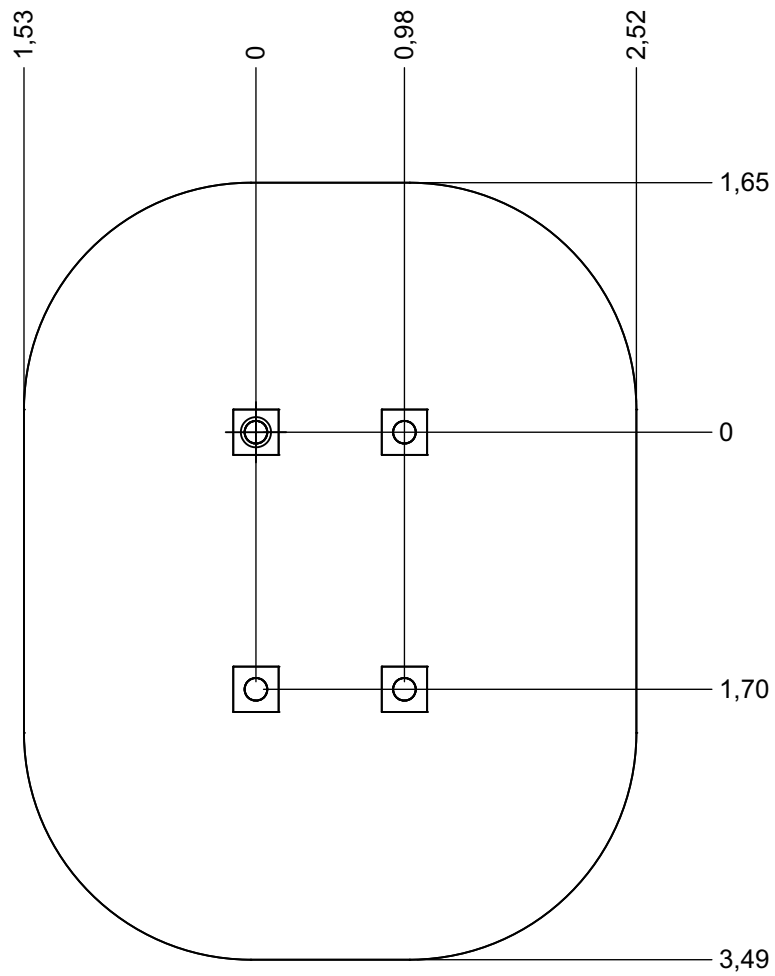
— Sol fluent
Loos partucule material 20 m
Arenero
Loses Bodenmaterial 23 m²
Los bodemmaterialaal



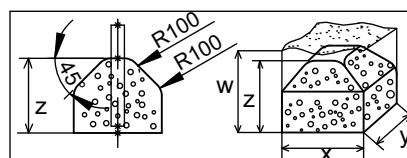




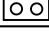


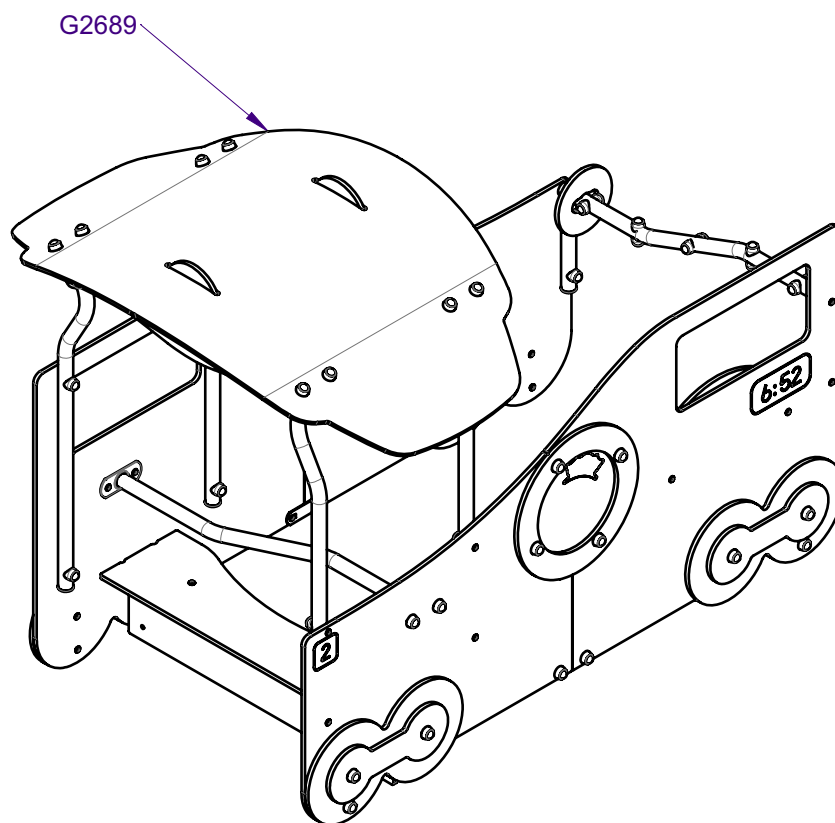
Implantation
 Footing plan
 Implantación
 Fundamentplan
 Funderingstekening



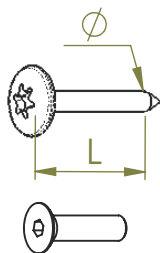
 x2
  2H
  0.1 m³



	x	y	z	w
	0.3	0.3	0.3	0.6
	0.4	0.4	0.3	0.6
	0.6	0.3	0.3	0.6



Réf	Qté
G2689	1



VBT 6 x 30
 ϕ \uparrow L (mm)

VFHC



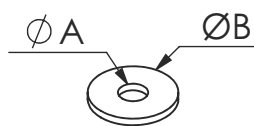
VEC M10
 ϕ



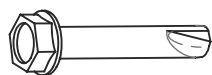
VEF



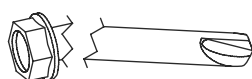
VEB



VR6x18
 ϕA ϕB



VTHA

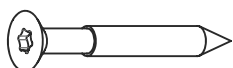


1000 - 1800 RPM

Vitesse de rotation
 Rotation speed

< 14 N.m

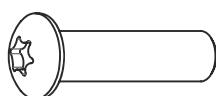
Couple de rupture
 Breakage torque



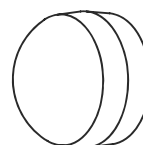
VWT



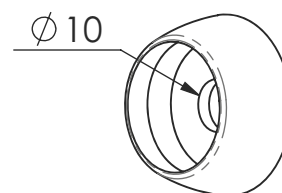
VGC



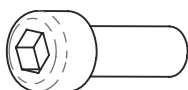
VCBHC



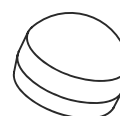
M10 440N



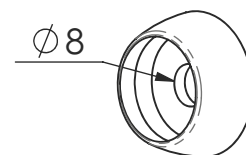
M10 310 N



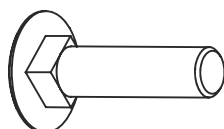
VBTR



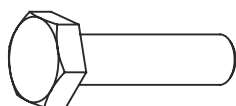
M8440N



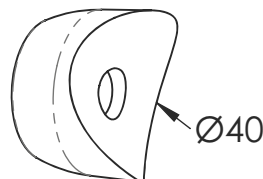
M8310N



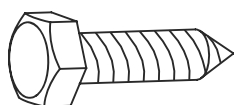
VTRCC



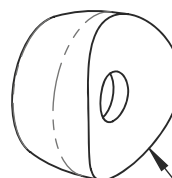
VTH



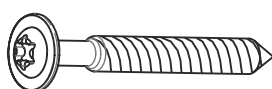
MI2503



VTF

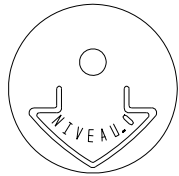


MI2701



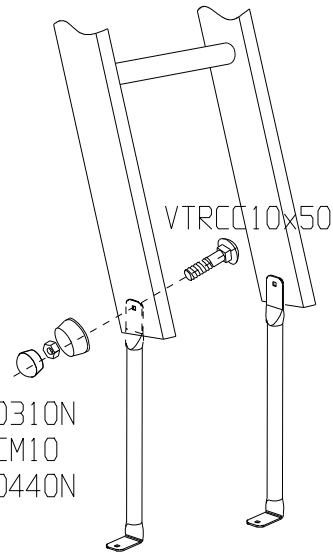
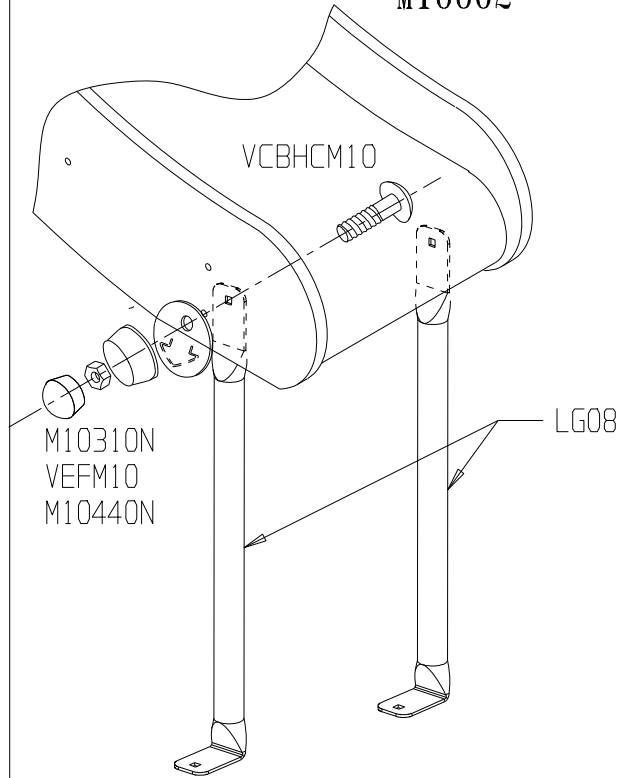
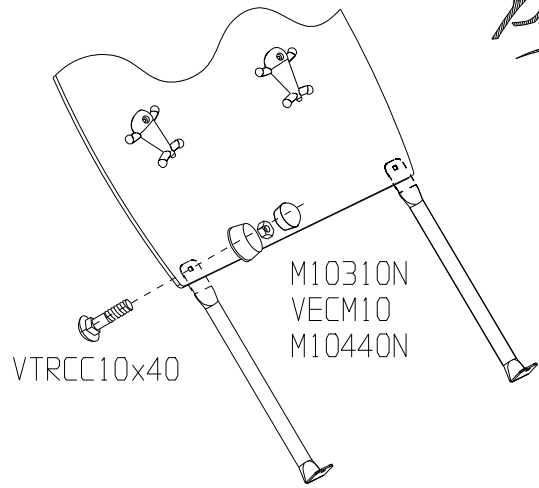
VBT

A



MI0002

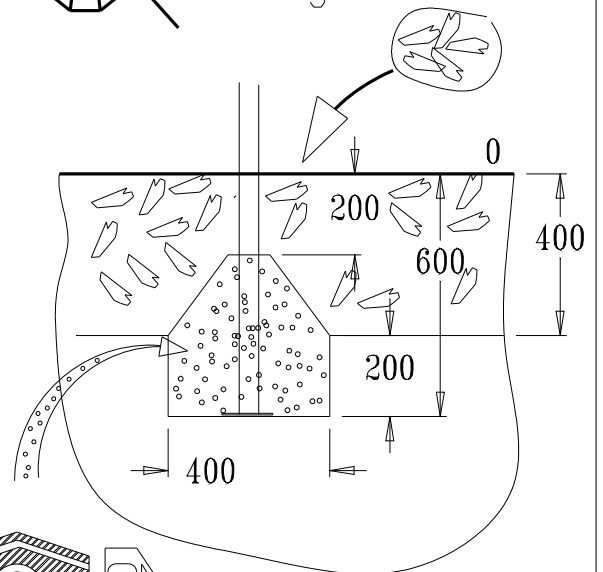
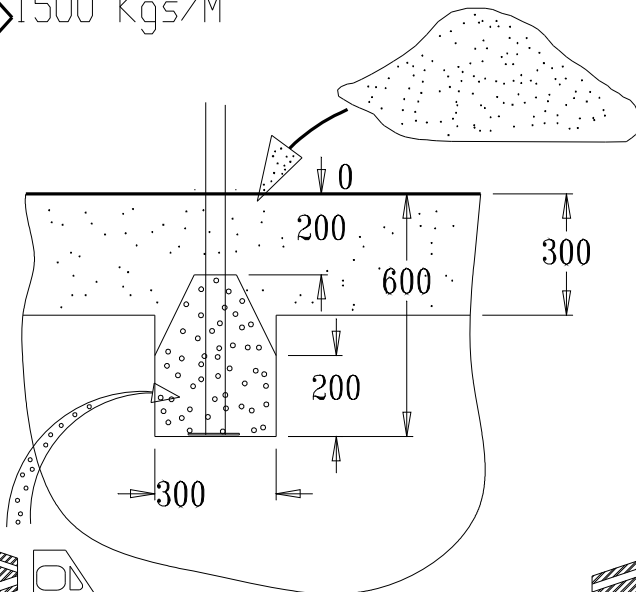
Proludic

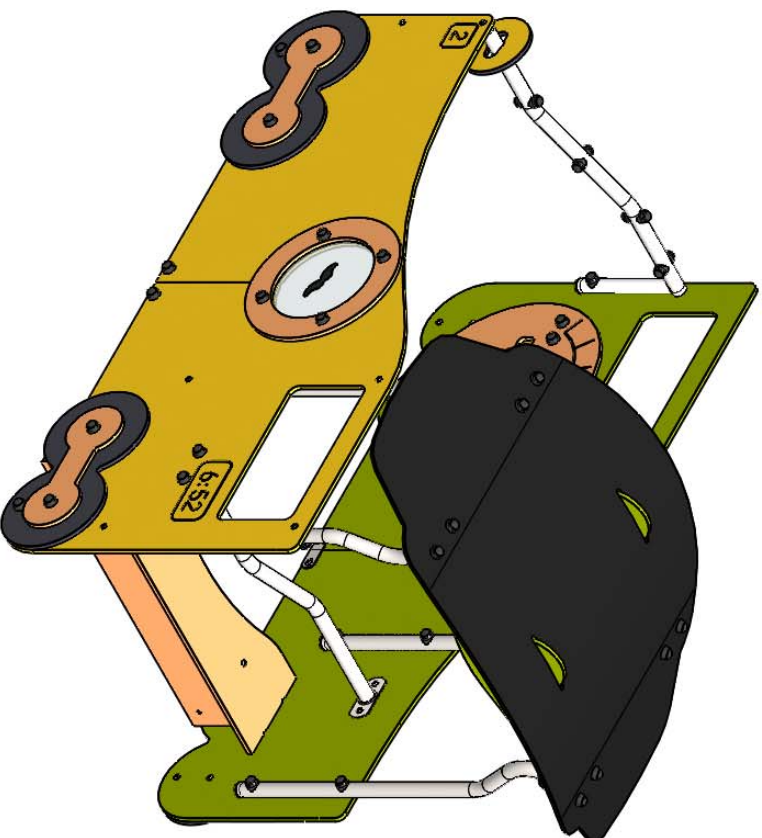


> 1500 Kgs/M³

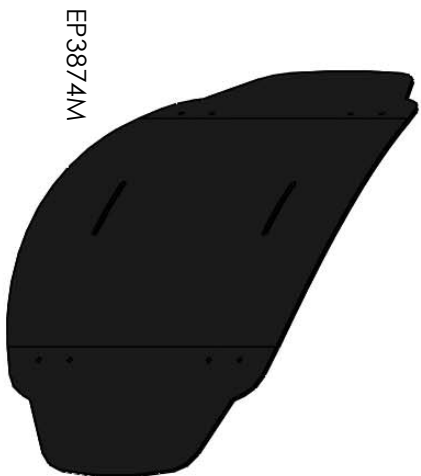


< 1500 Kgs/M³

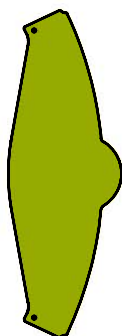




Réf	Qté	Réf	Qté
M10310N	2	M10310N	2
M10440N	65	M10440N	65
M10440N	2	M10440N	2
M12503N	20	M12503N	20
M14502N	8	M14502N	8
M14503	8	M14503	8
MU3908	3	MU3908	3
MU4700	1	MU4700	1
P20	2	P20	2
P90	2	P90	2
P180	2	P180	2
U4007	1	U4007	1
U4009	1	U4009	1
VBTR8X25	4	VBTR8X25	4
VCBHC10x30I	16	VCBHC10x30I	16
VCBHC10x40I	8	VCBHC10x40I	8
VCBHC10x50I	11	VCBHC10x50I	11
VCBHC10x60I	7	VCBHC10x60I	7
VCBHC10x70I	12	VCBHC10x70I	12
VEFM8	4	VEFM8	4
VEFM10	60	VEFM10	60
VEFM10	1	VEFM10	1
VR10x22	1	VR10x22	1
VR10x40	1	VR10x40	1
VTH10x100	1	VTH10x100	1
VTRCC10x30	8	VTRCC10x30	8



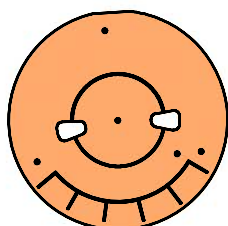
EP3874M



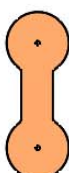
ET3873VX



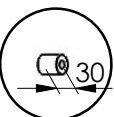
ET38115J



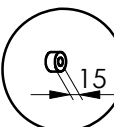
ET38314OF



ET58005OF



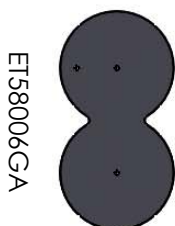
MU3908



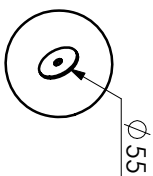
MU4700



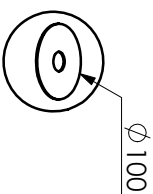
L47102



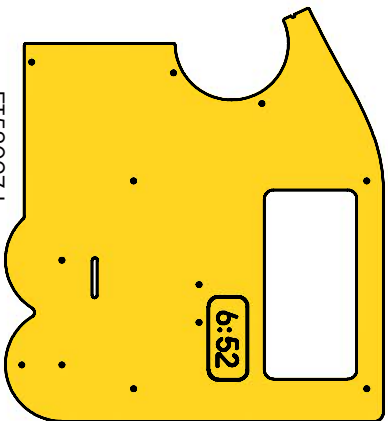
ET58006GA



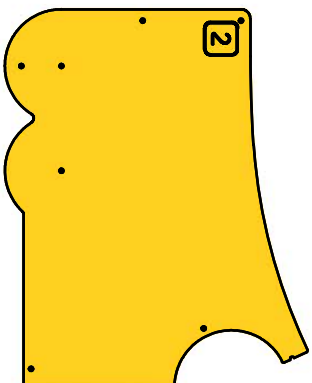
L12804



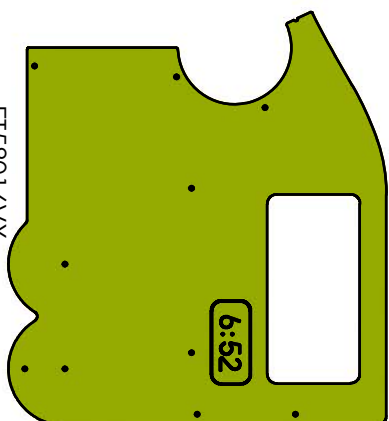
L13929



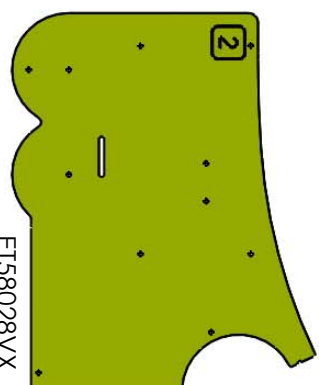
ET58027J



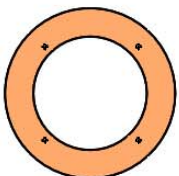
ET58017J



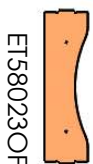
ET58016VX



ET58028VX



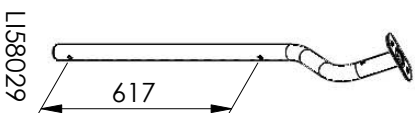
ET58022OF



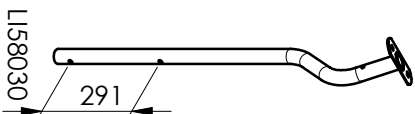
ET58023OF



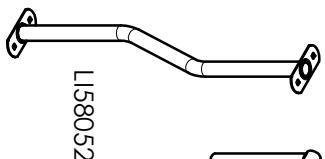
ET58013OF



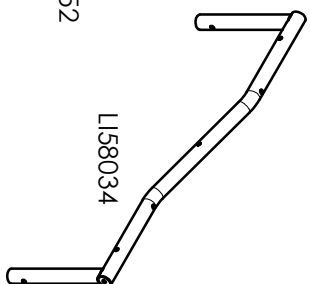
L158029



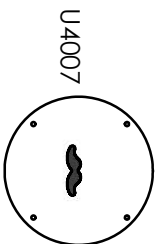
L158030



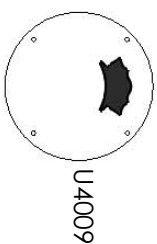
L158052



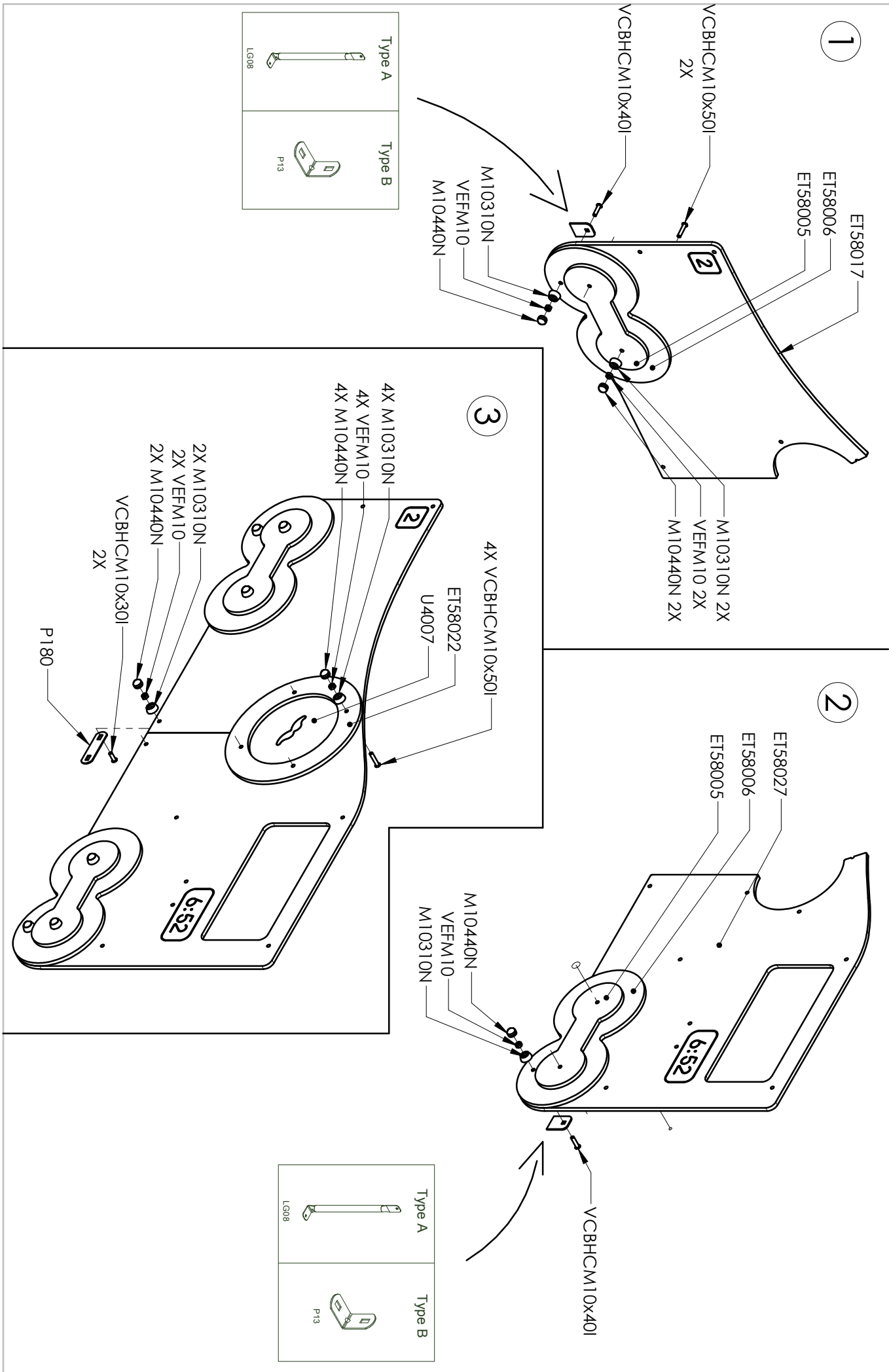
L158034

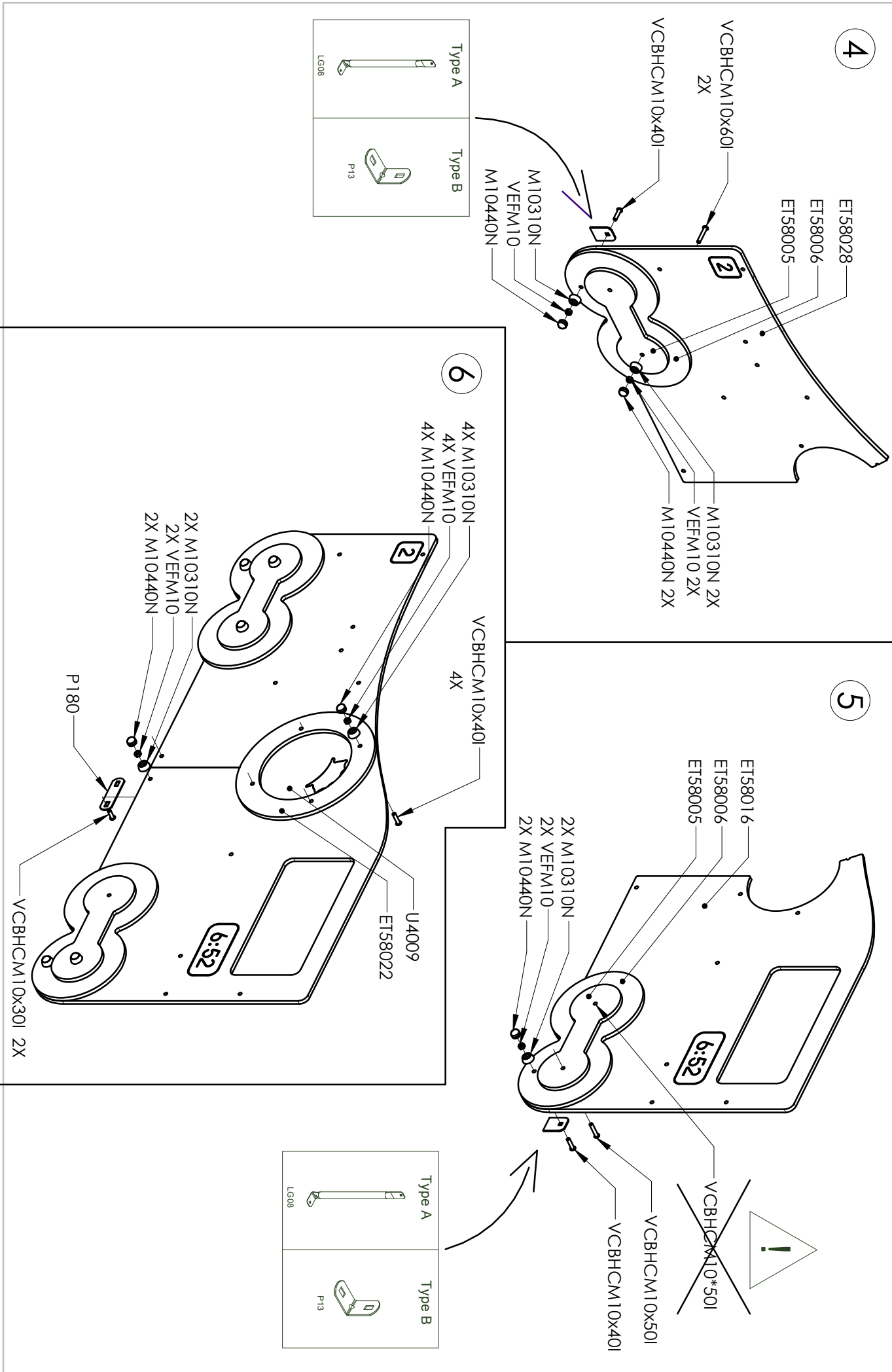


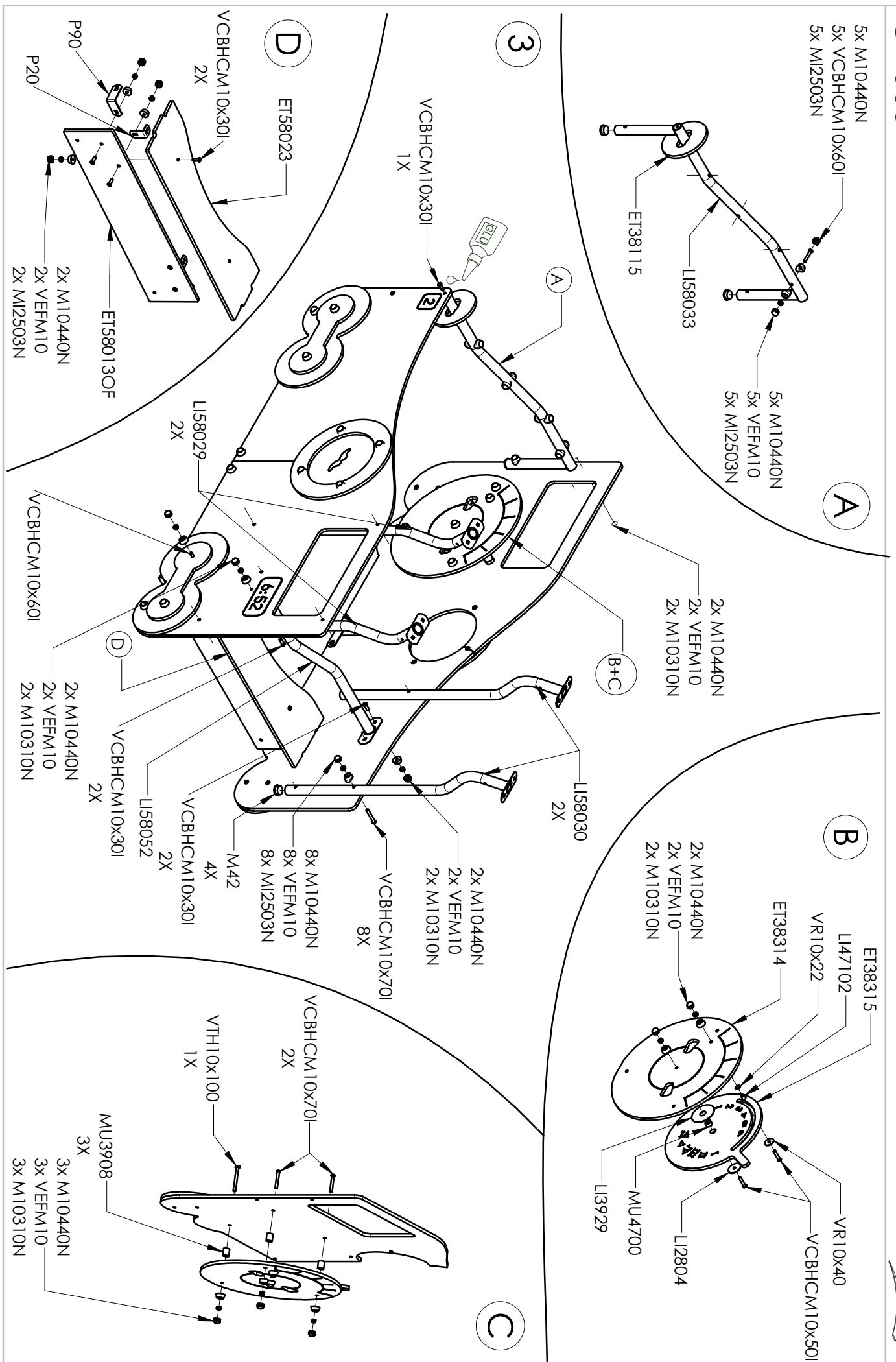
U4007



U4009







5x M10440N
5x VCBHCM10x60I
5x M12503N

5x M10440N
5x VEFM10
5x M12503N

2x M10440N
2x VEFM10
2x M10310N

2x M10440N
2x VEFM10
2x M10310N

ET38315
LI47102
VR10x22
VR10x40
VCBHCM10x50I
LI2804
MU4700
LI3929

3

VCBHCM10x30I
1X

D

ET58023

LI58029
2X

D

VCBHCM10x30I
2X

8x M10440N
8x VEFM10
8x M12503N

2x M10440N
2x VEFM10
2x M10310N

VCBHCM10x70I
8X

VCBHCM10x70I
2X

VTH10x100
1X

MU3908
3X

3x M10440N
3x VEFM10
3x M10310N

C

VCBHCM10x60I

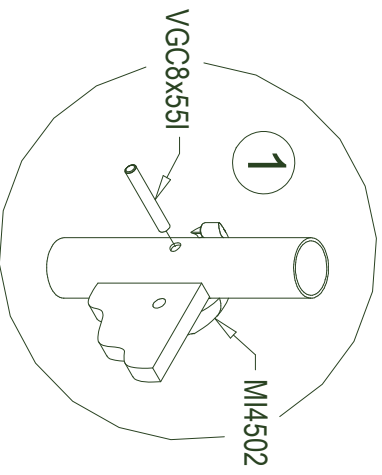
2x M10440N
2x VEFM10
2x M12503N

ET580130F

P90

P20

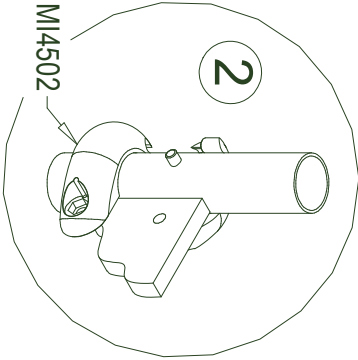
A



1

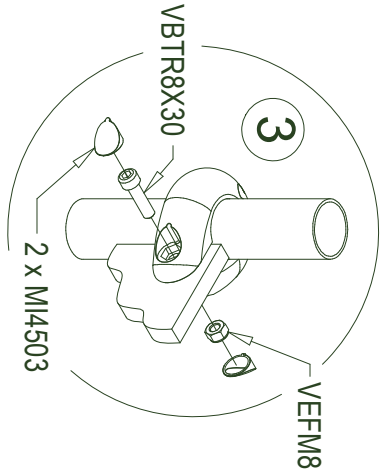
VGC8x55l

M14502



2

M14502



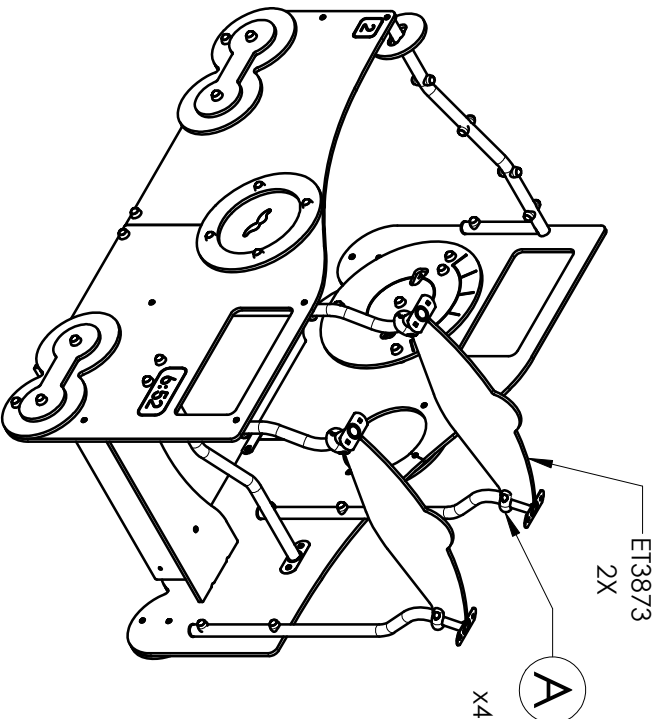
3

VBTR8x30

VEFM8

2 x M14503

4

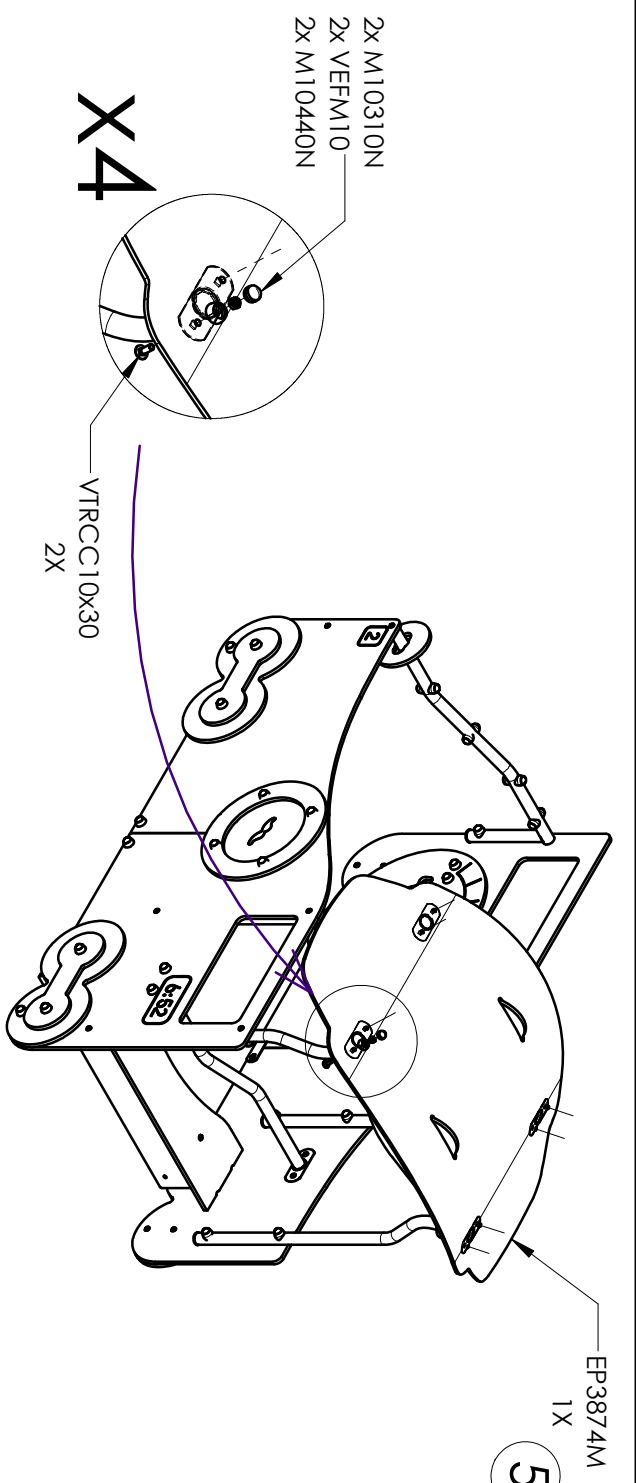


ET3873
2X

X4

A

5



EP3874M
1X

X4

2x M10310N
2x VEFM10
2x M10440N

VTRCC10x30
2X