



| N° | | |
|----|-------|-------------------|
| 1 | 0.6 m | 57 m ² |

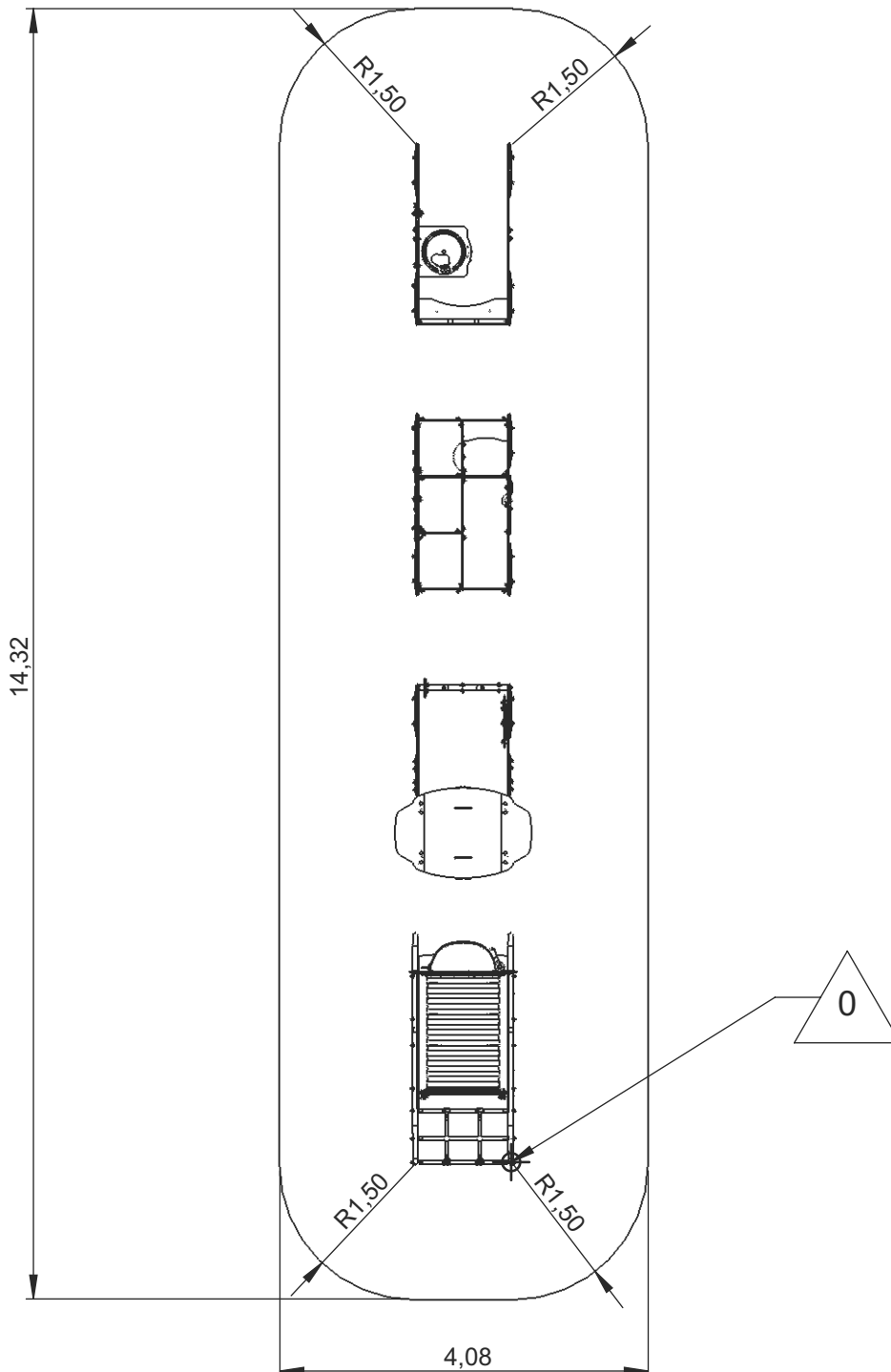
— Zone d'impact
Impact area
Area de impacto
Fallraum
Valzone

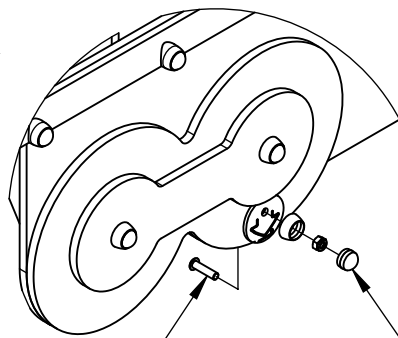
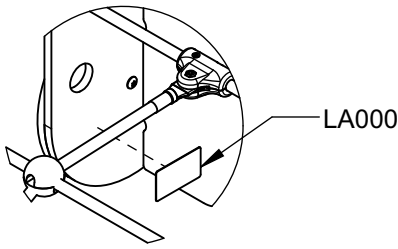
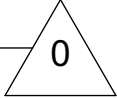
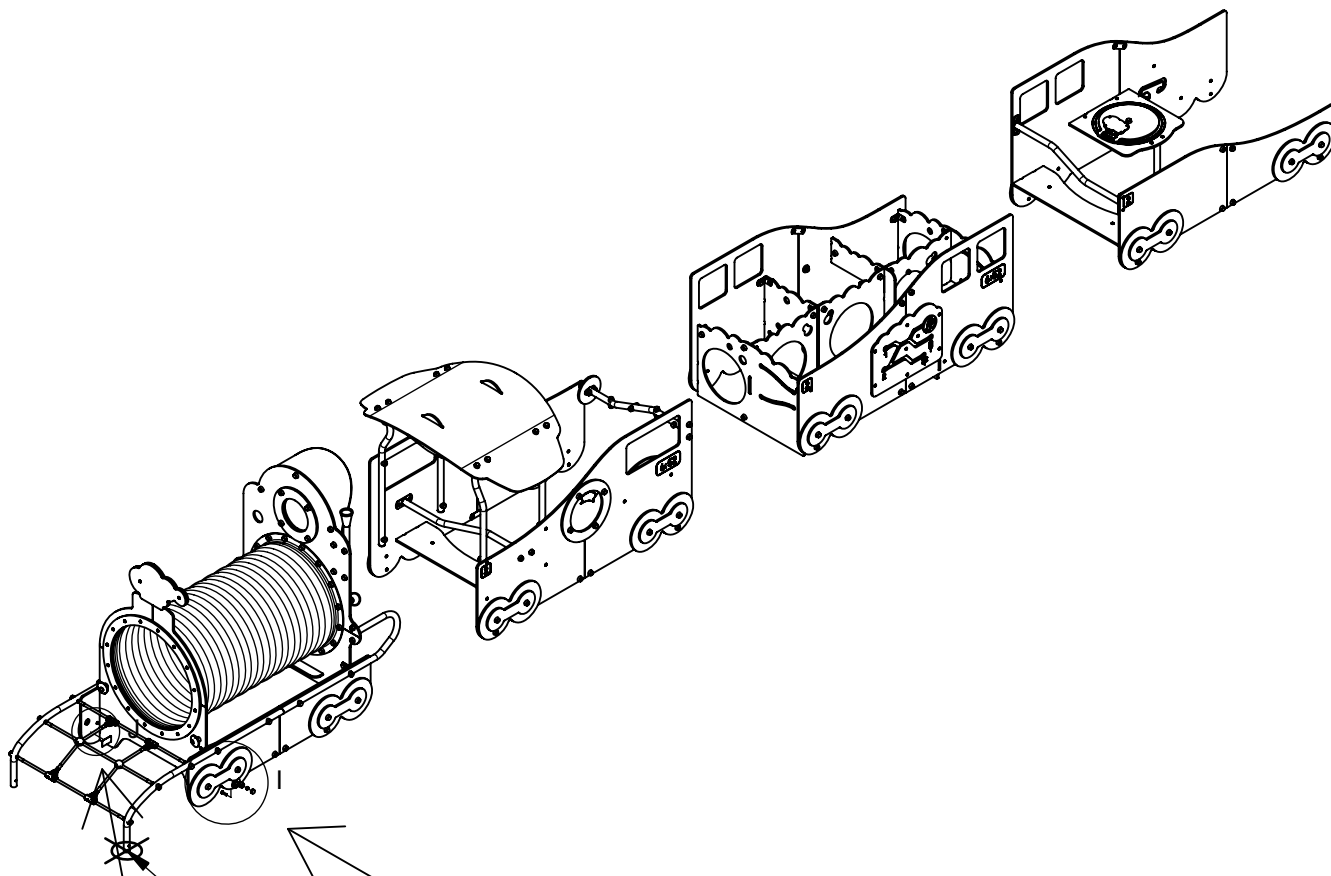


Point de référence
Setting out point
Punto de referencia
Bezugspunkt
Referentiepunt

- - - Espace libre
Free space
Espacio libre
Freiraum
Vrije ruimte

EN1176-1:2017

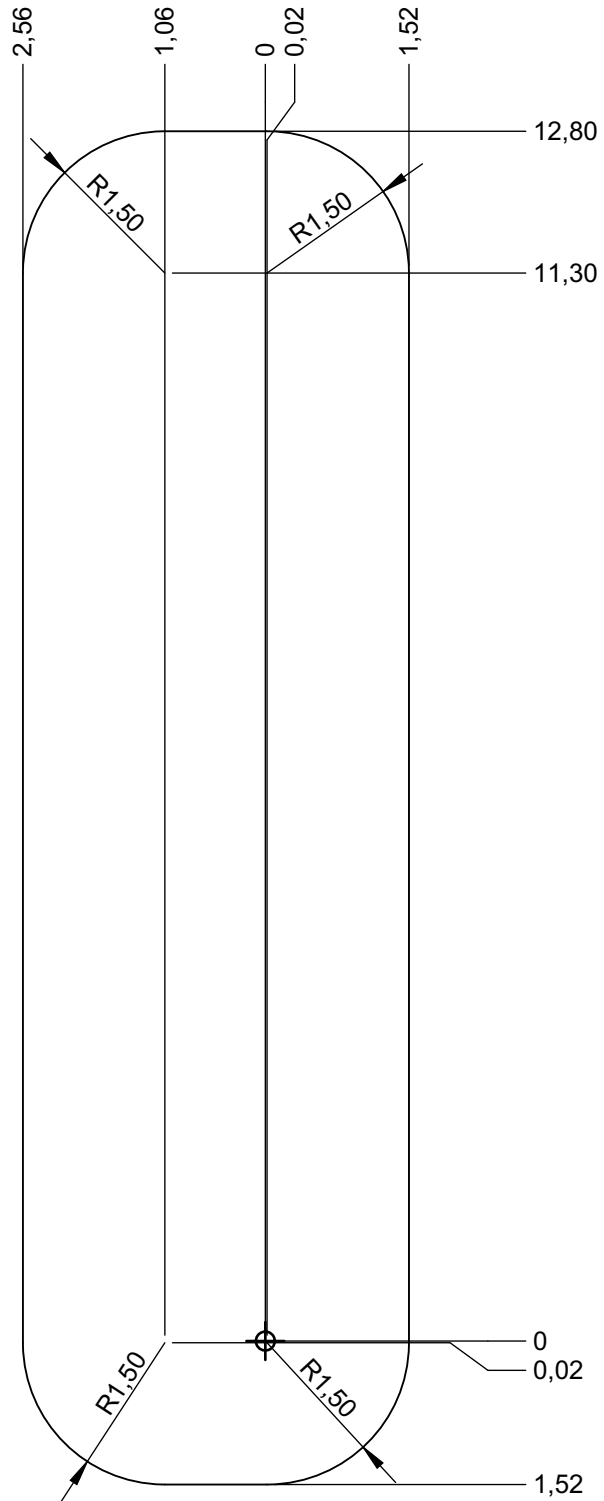




- M10440N
- VEFM10
- M10310N
- MI0002

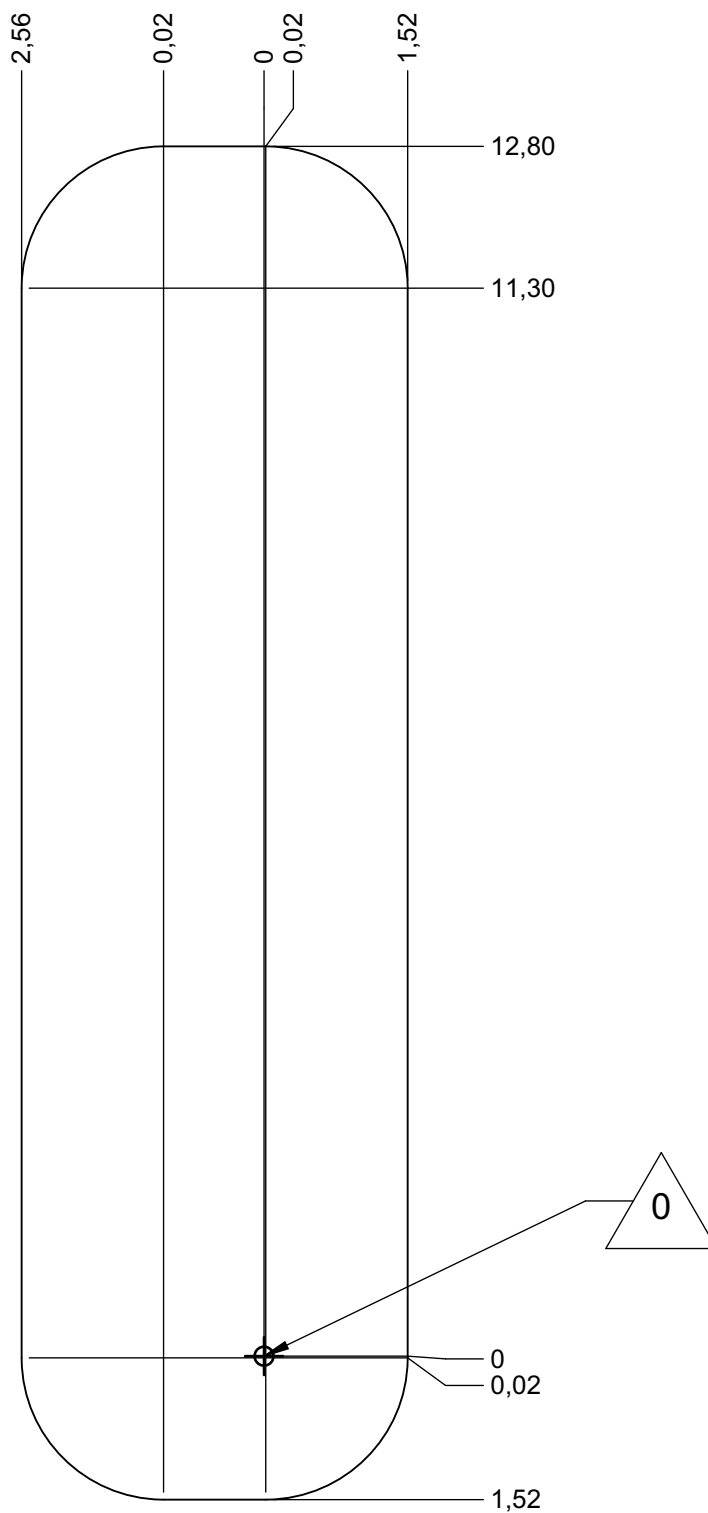
— Zone d'impact
Impact area
Area de impacto
Fallraum
Valzone

57 m²



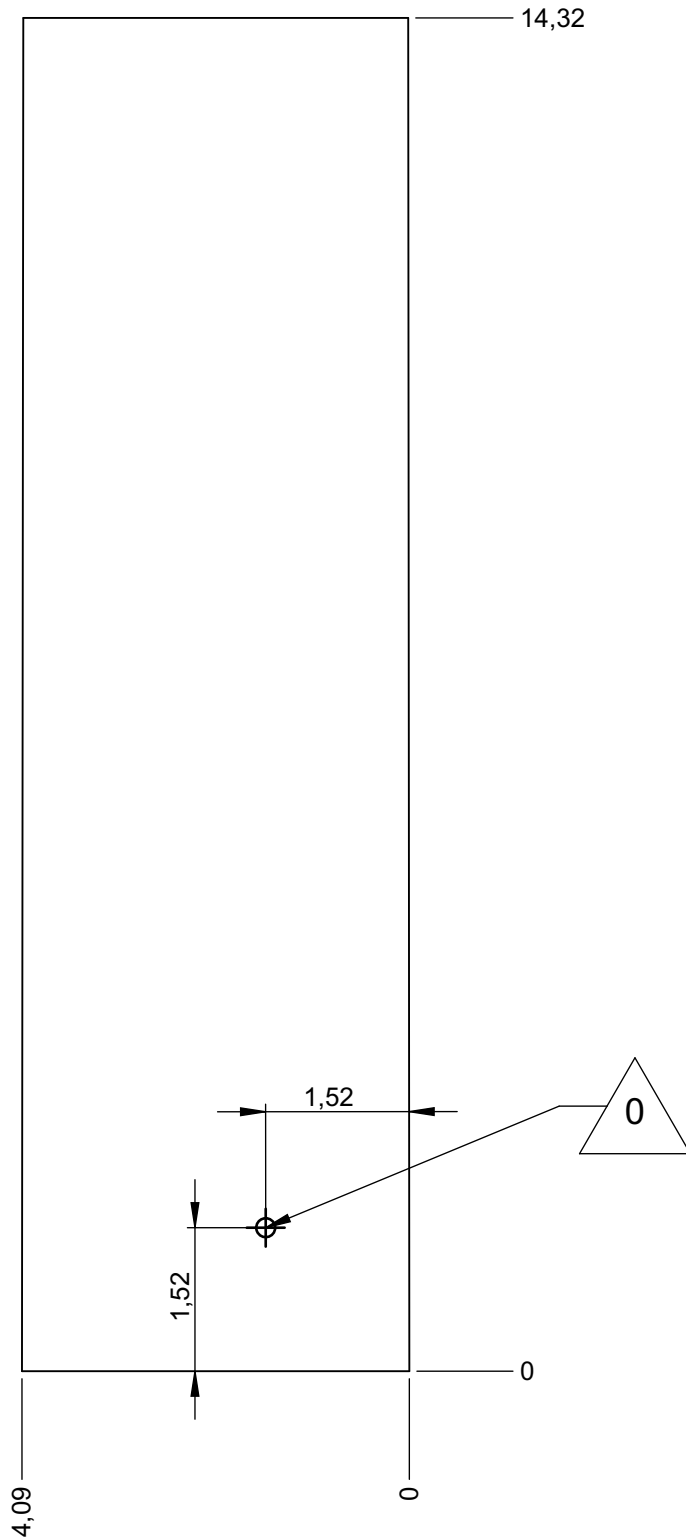
— Sol souple
Wetpour
Caucho continuo
Synthetischer fallschutz
Gietvloer

57 m²

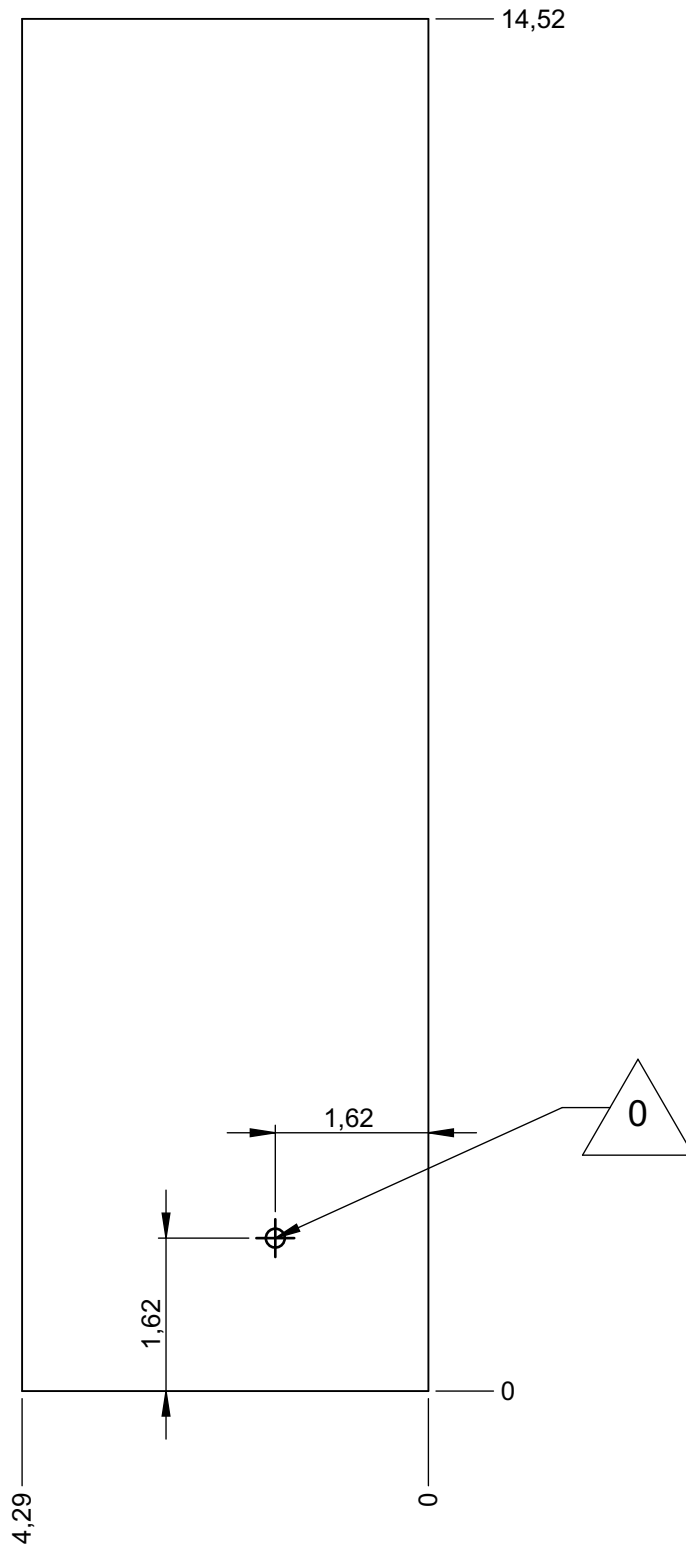


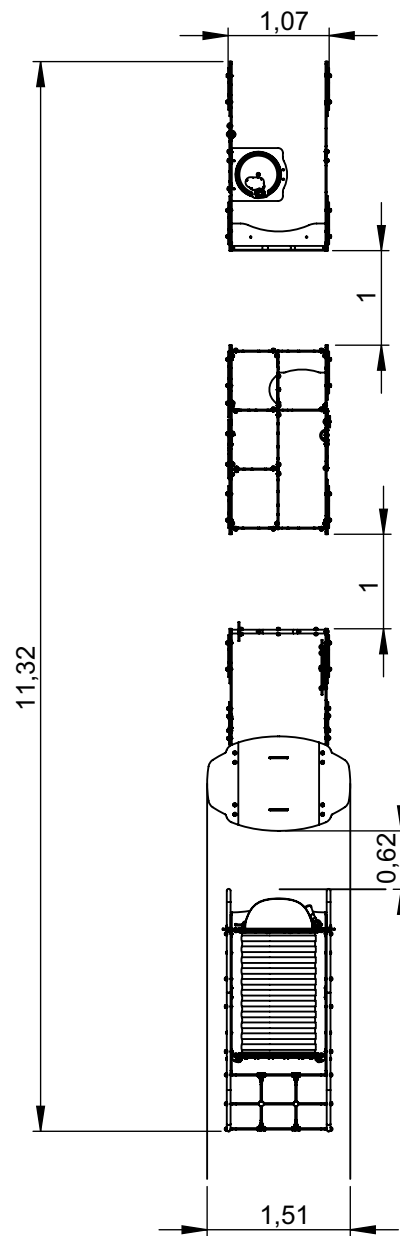
— Dalle béton
Concrete pad
Solera de hormigon
Beton bodenplatte
Betonnen bodemplaat

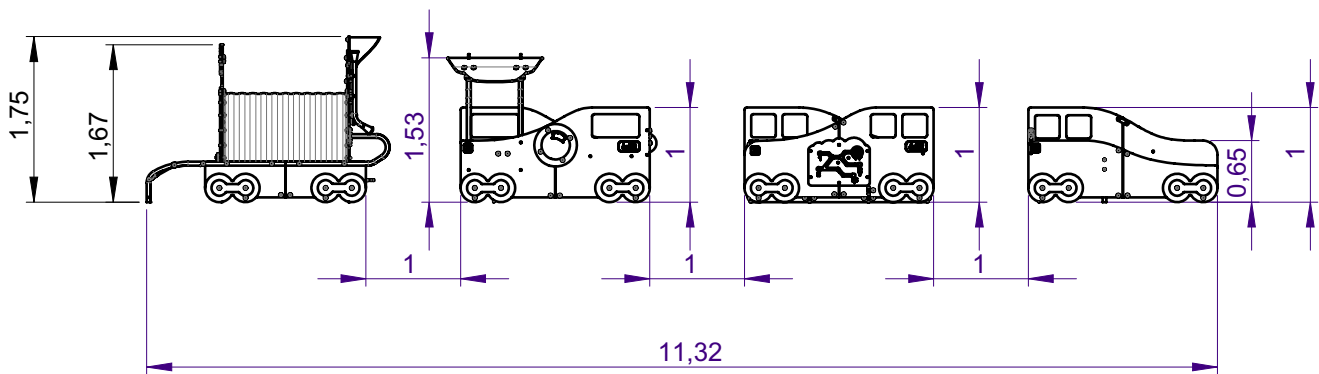
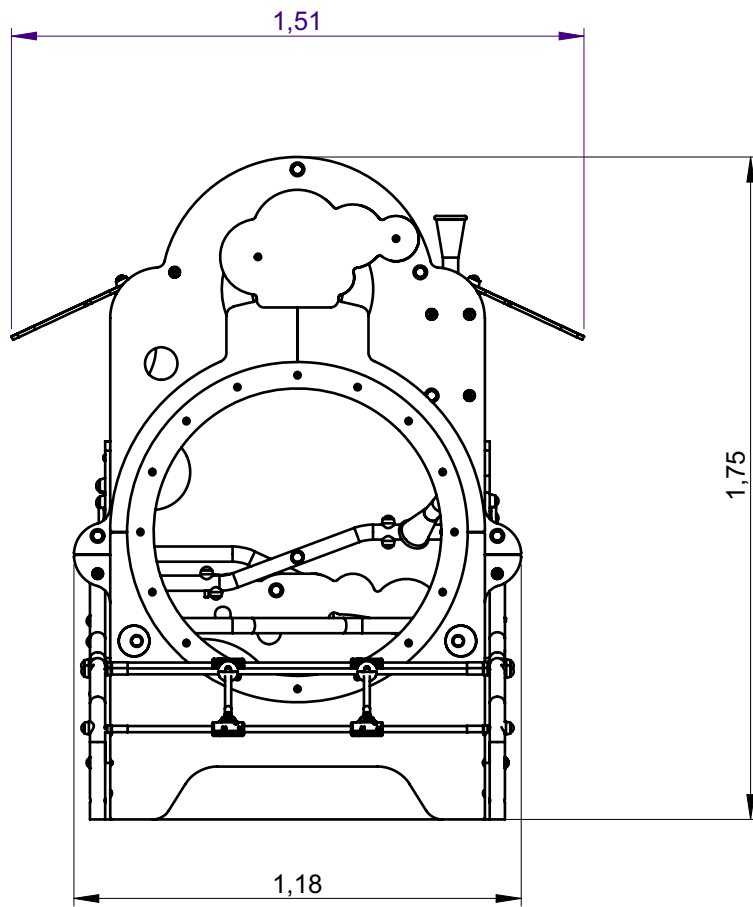
37 m
59 m²



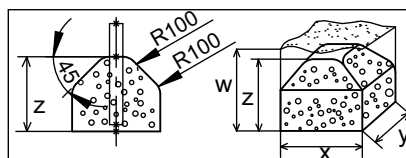
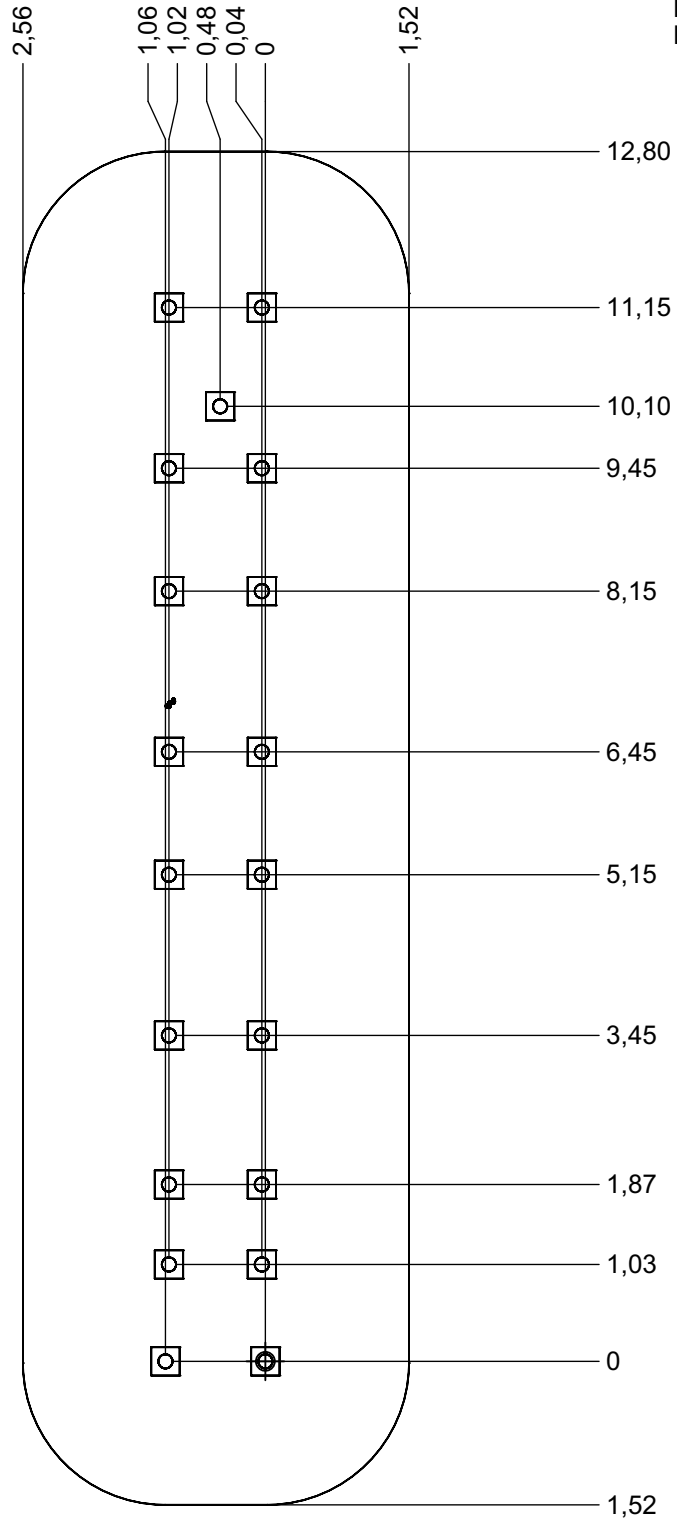
— Sol fluent
Loos partucule material 38 m
Arenero
Loses Bodenmaterial 63 m²
Los bodemmateriaal



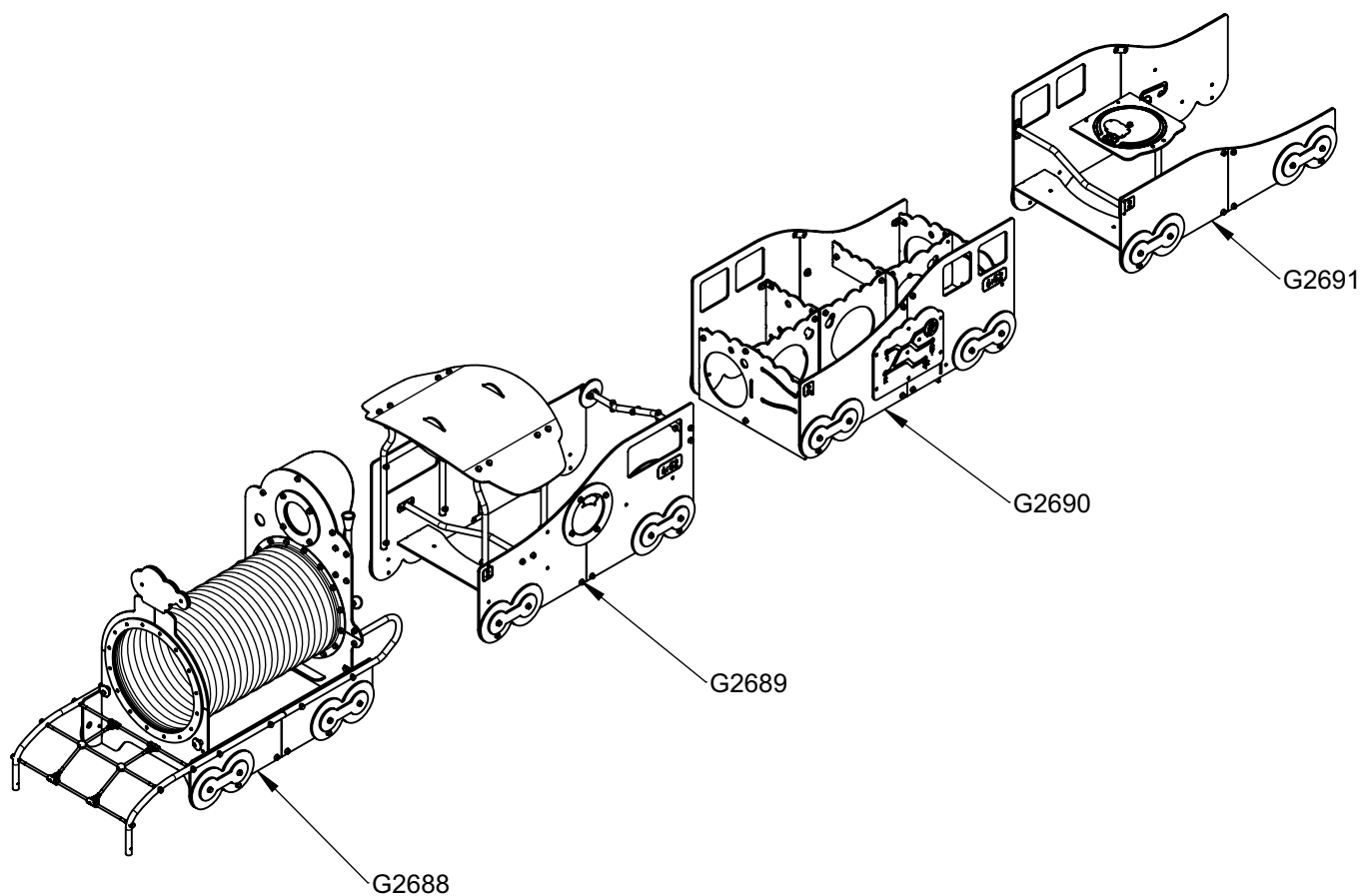




Implantation
 Footing plan
 Implantación
 Fundamentplan
 Funderingstekening

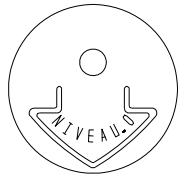


| | x | y | z | w |
|--|-----|-----|-----|-----|
| | 0.3 | 0.3 | 0.3 | 0.6 |
| | 0.4 | 0.4 | 0.3 | 0.6 |
| | 0.6 | 0.3 | 0.3 | 0.6 |



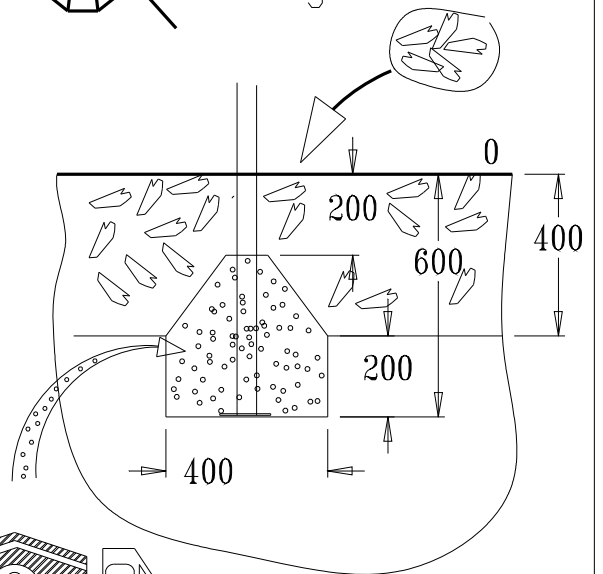
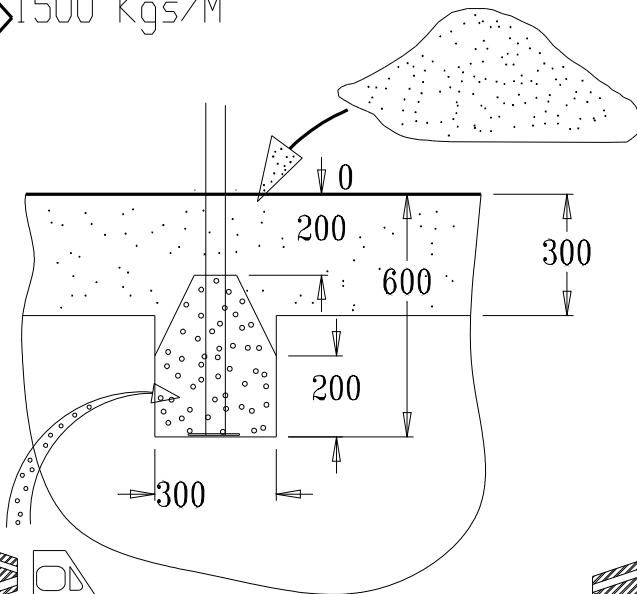
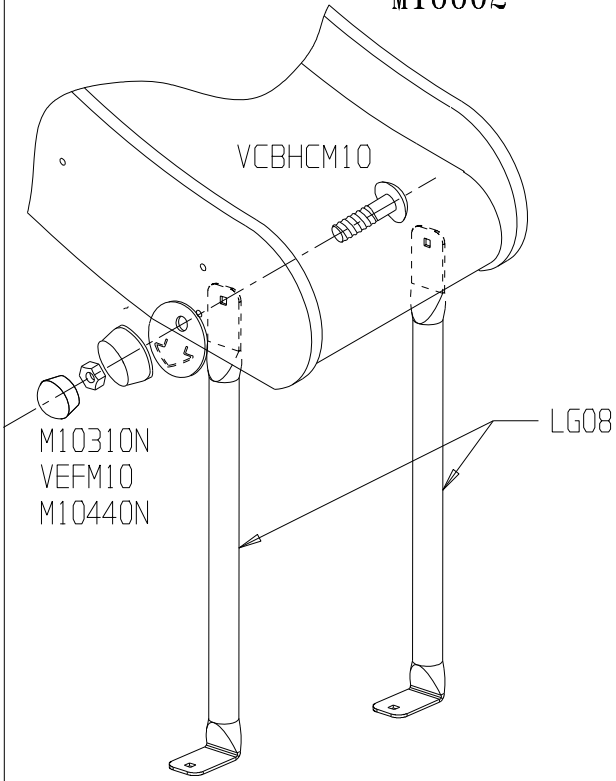
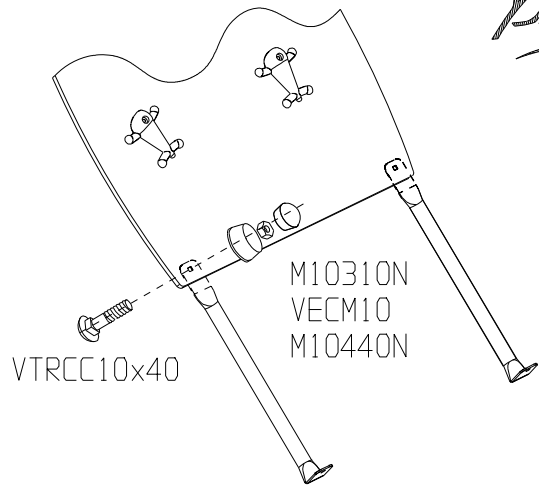
| Réf | Qté |
|-------|-----|
| G2688 | 1 |
| G2689 | 1 |
| G2690 | 1 |
| G2691 | 1 |

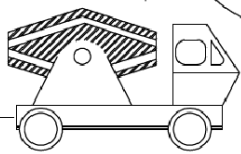
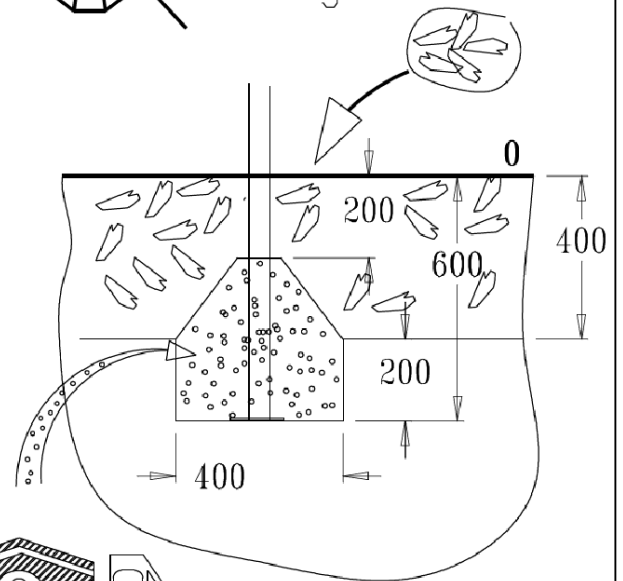
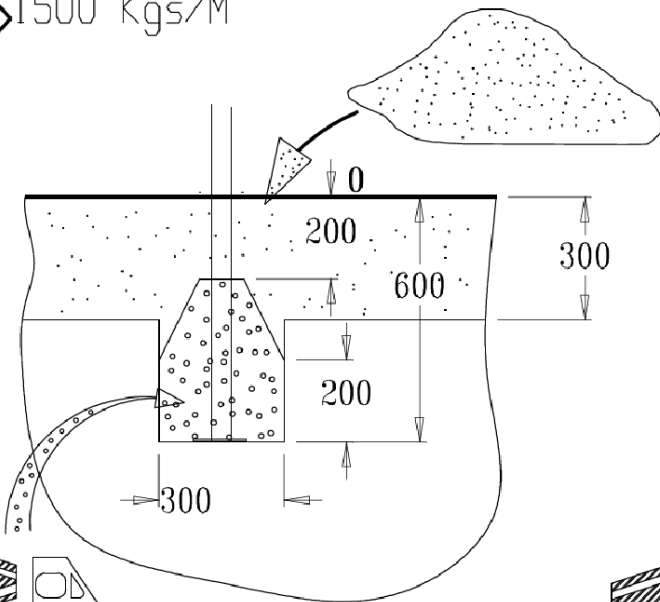
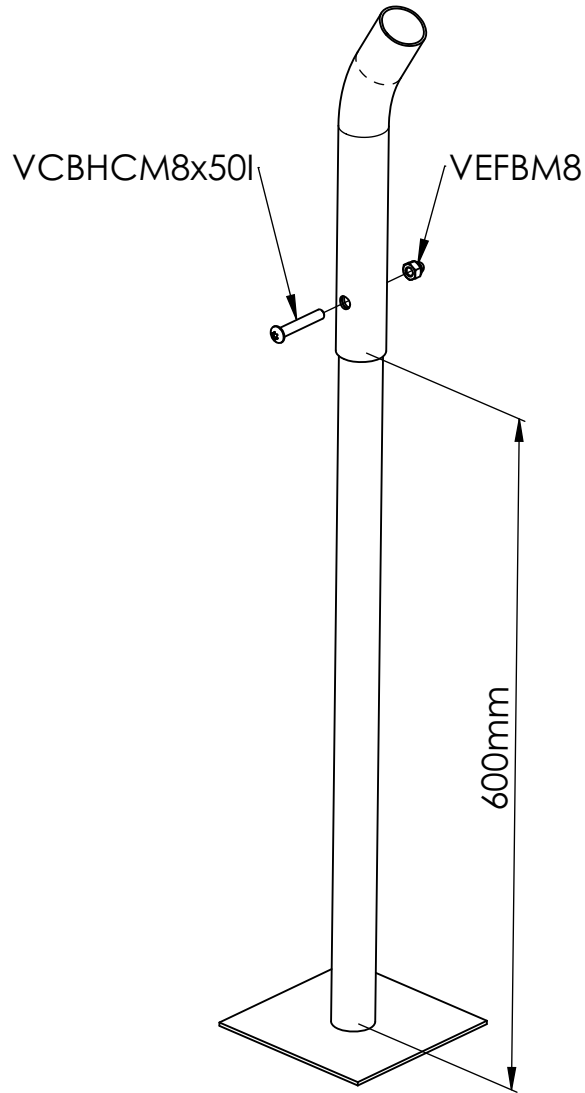
A



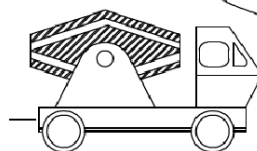
MI0002

Proludic

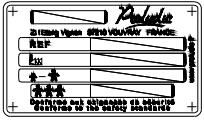




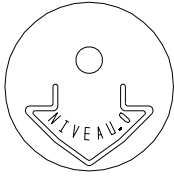
50 Kgs



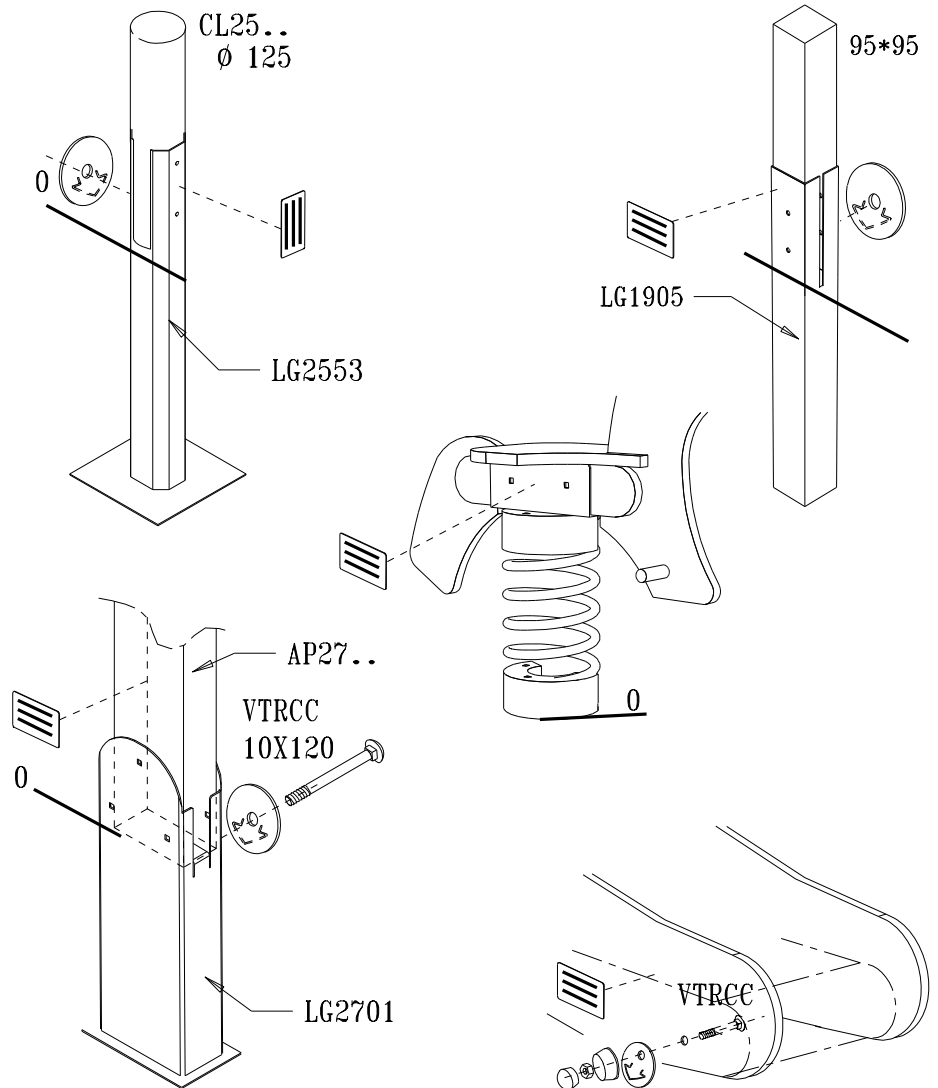
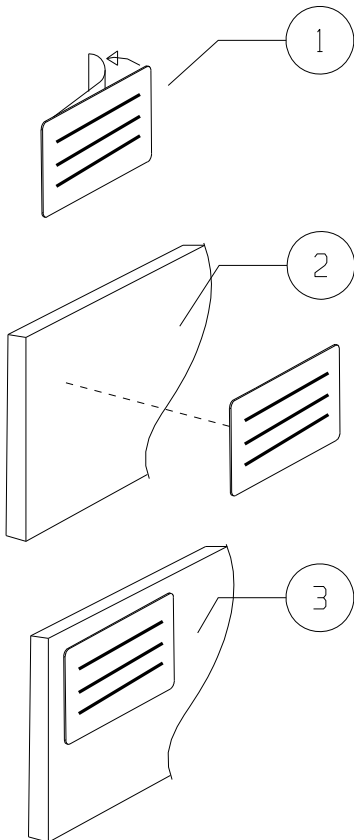
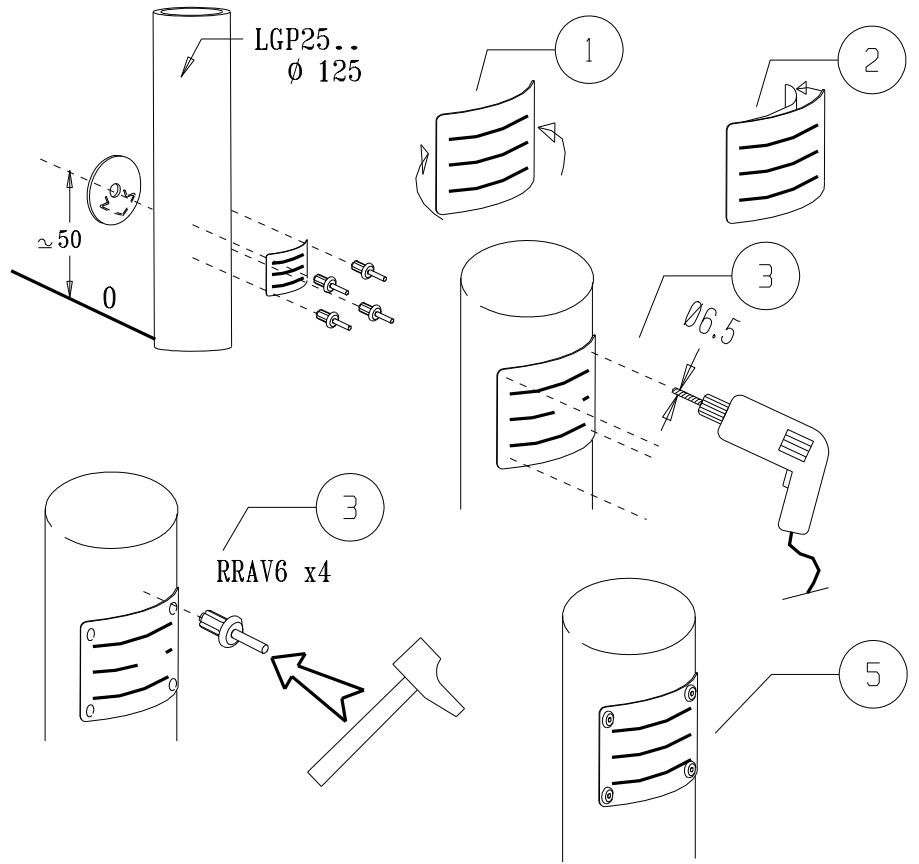
90 Kgs

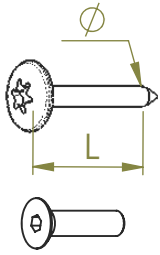


LA000



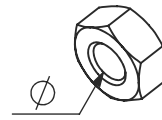
MI0002





VBT 6 x 30
 \varnothing \uparrow L (mm)

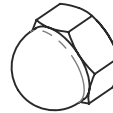
VFHC



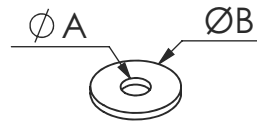
VEC M10
 \varnothing



VEF



VEB

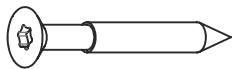


VR6x18
 $\varnothing A$ $\varnothing B$

VTHA

1000 - 1800 RPM
 Vitesse de rotation
 Rotation speed

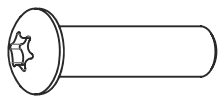
< 14 N.m
 Couple de rupture
 Breakage torque



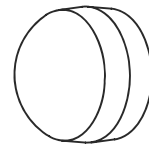
VWT



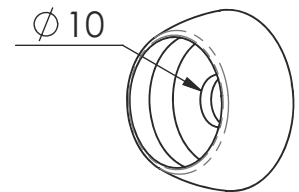
VGC



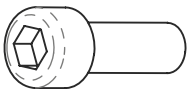
VCBHC



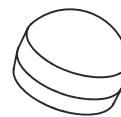
M10 440N



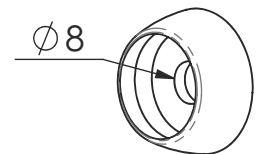
M10 310 N



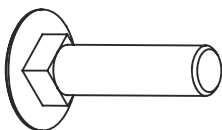
VBTR



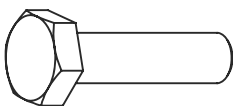
M8 440N



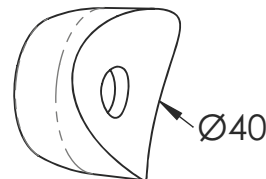
M8 310N



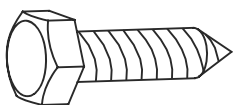
VTRCC



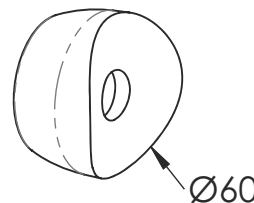
VTH



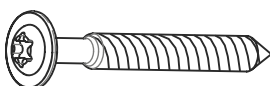
MI2503



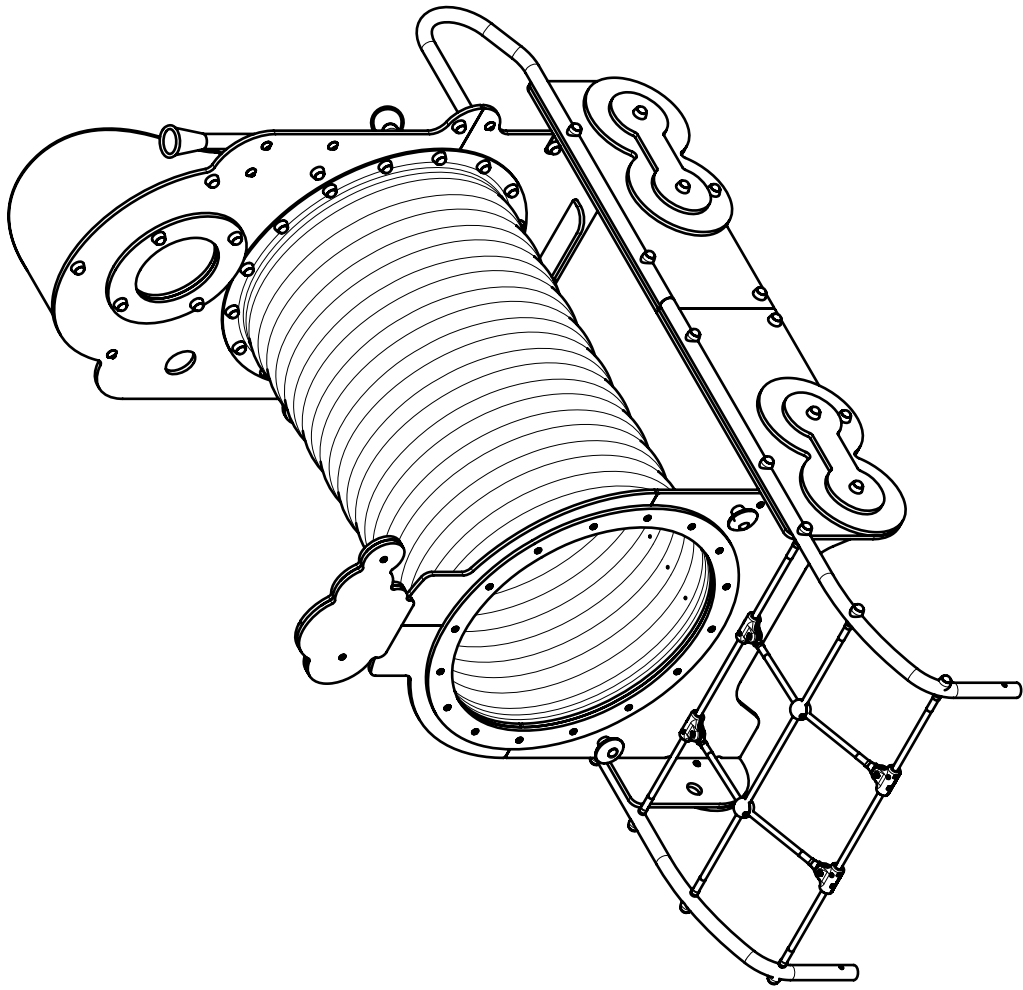
VTF



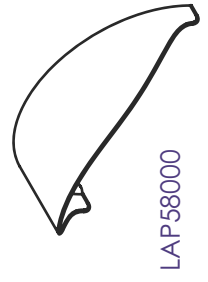
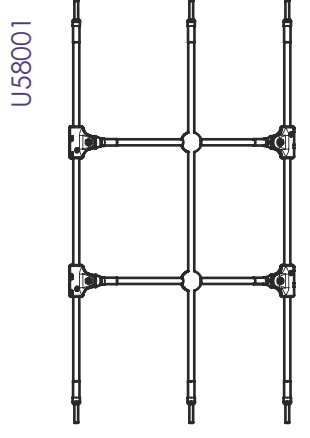
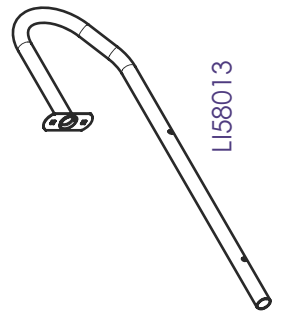
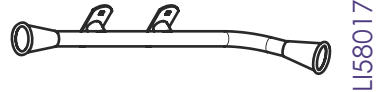
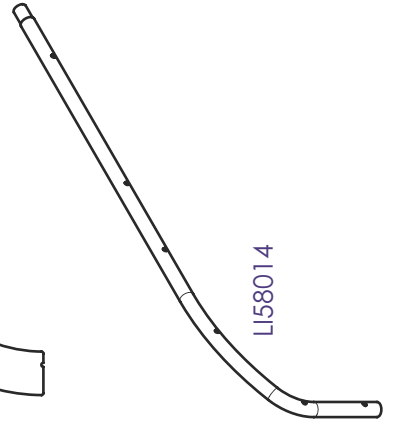
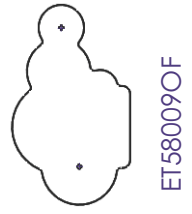
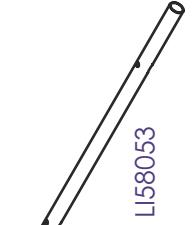
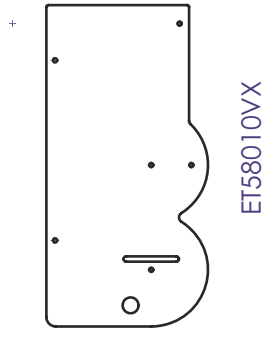
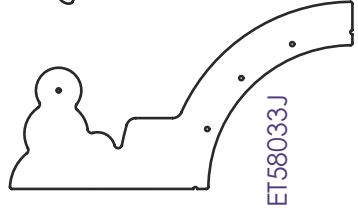
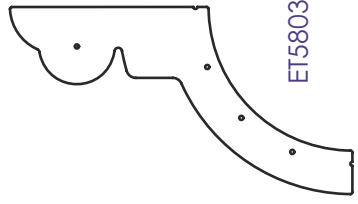
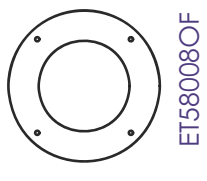
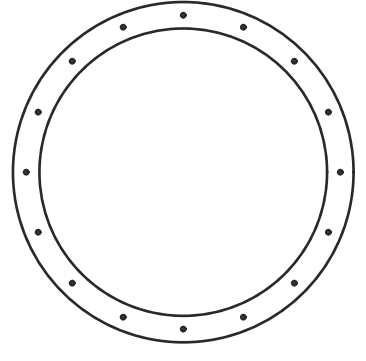
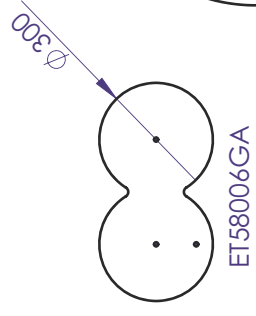
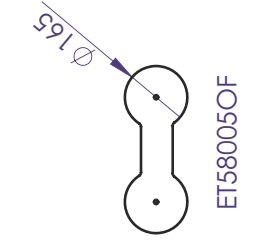
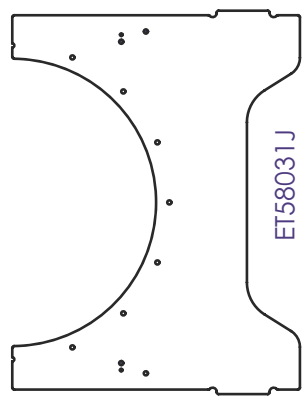
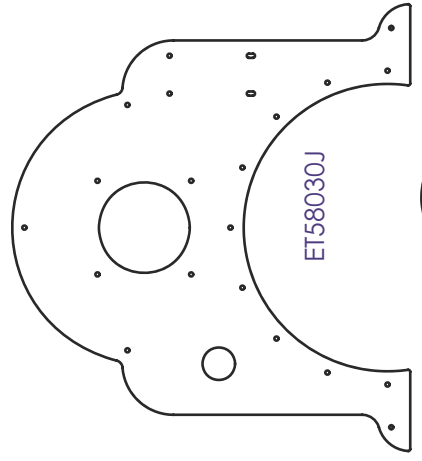
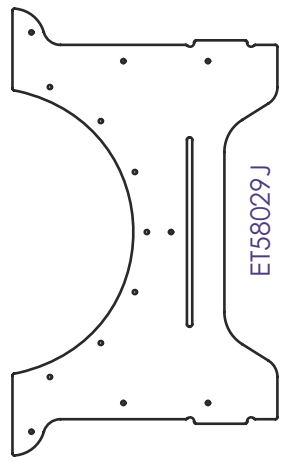
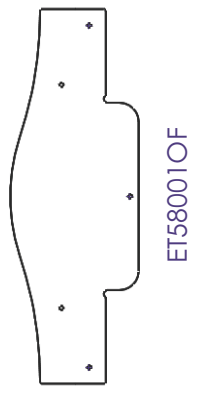
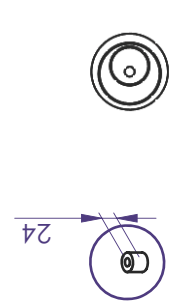
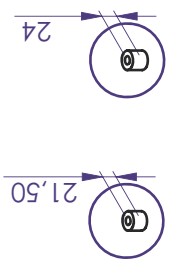
MI2701



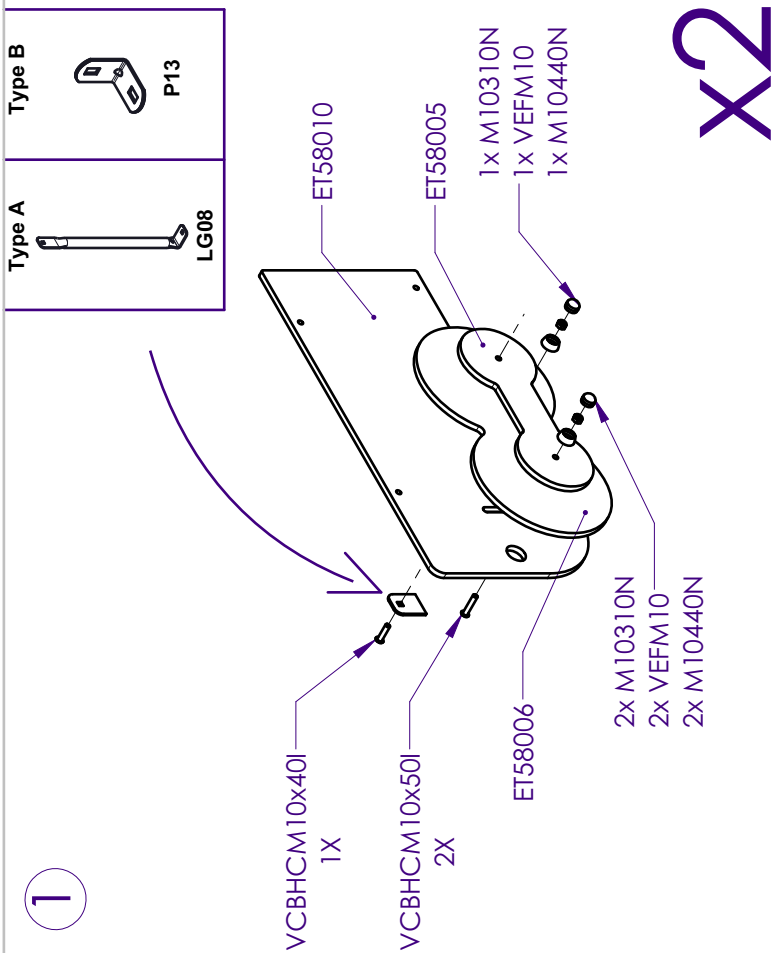
VBT



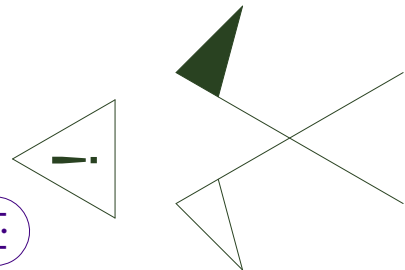
| Réf | Qté |
|-------------|-----|
| ET4093OF | 1 |
| ET58001OF | 1 |
| ET58005OF | 4 |
| ET58006GA | 4 |
| ET58007OF | 1 |
| ET58008OF | 1 |
| ET58009OF | 1 |
| ET58010VX | 4 |
| ET58029J | 1 |
| ET58030J | 1 |
| ET58031J | 1 |
| ET58032J | 1 |
| ET58033J | 1 |
| LAP58000N | 1 |
| LI58013 | 2 |
| LI58014 | 2 |
| LI58017 | 1 |
| LI58053 | 1 |
| M10310N | 77 |
| M10440N | 94 |
| M55113 | 1 |
| M1810N | 2 |
| M12503N | 16 |
| M13800VX | 2 |
| MU904 | 1 |
| MU2614 | 1 |
| P13 | 7 |
| P180 | 2 |
| U58001 | 1 |
| VCBHC10x30I | 25 |
| VCBHC10x40I | 25 |
| VCBHC10x50I | 24 |
| VCBHC10x70I | 12 |
| VEFM10 | 93 |
| VTH10x90 | 1 |



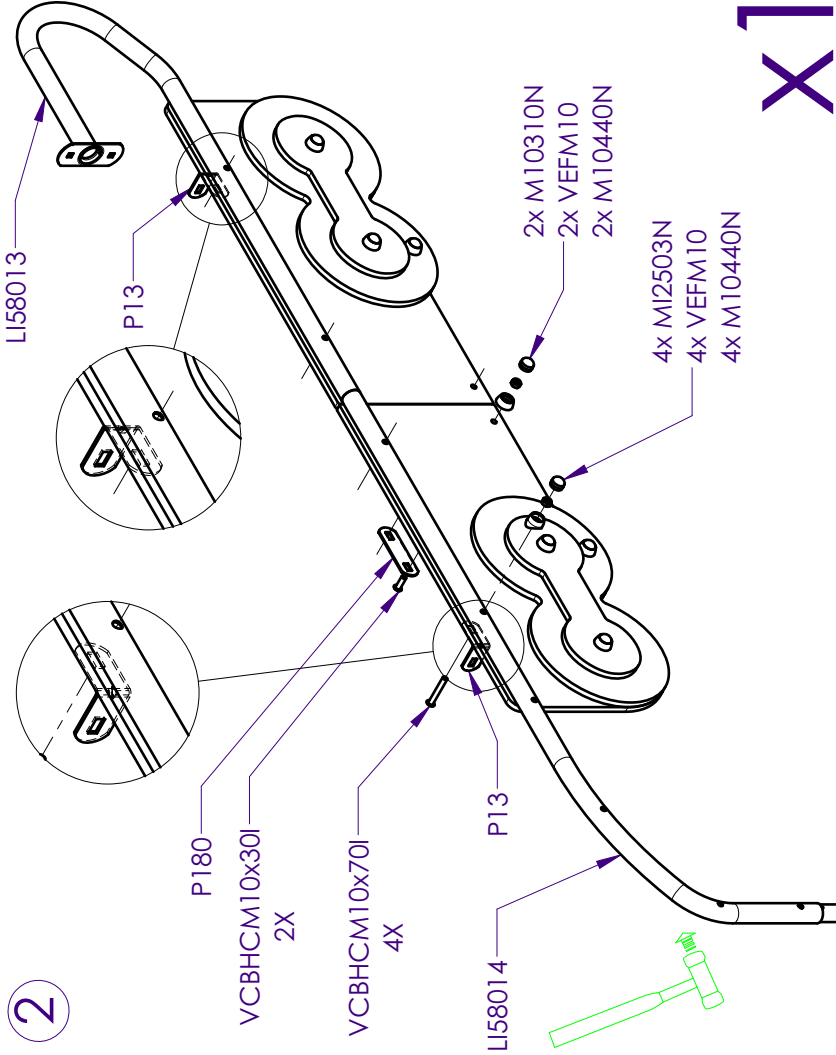
1



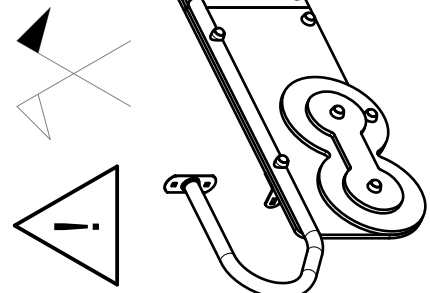
1.1



2



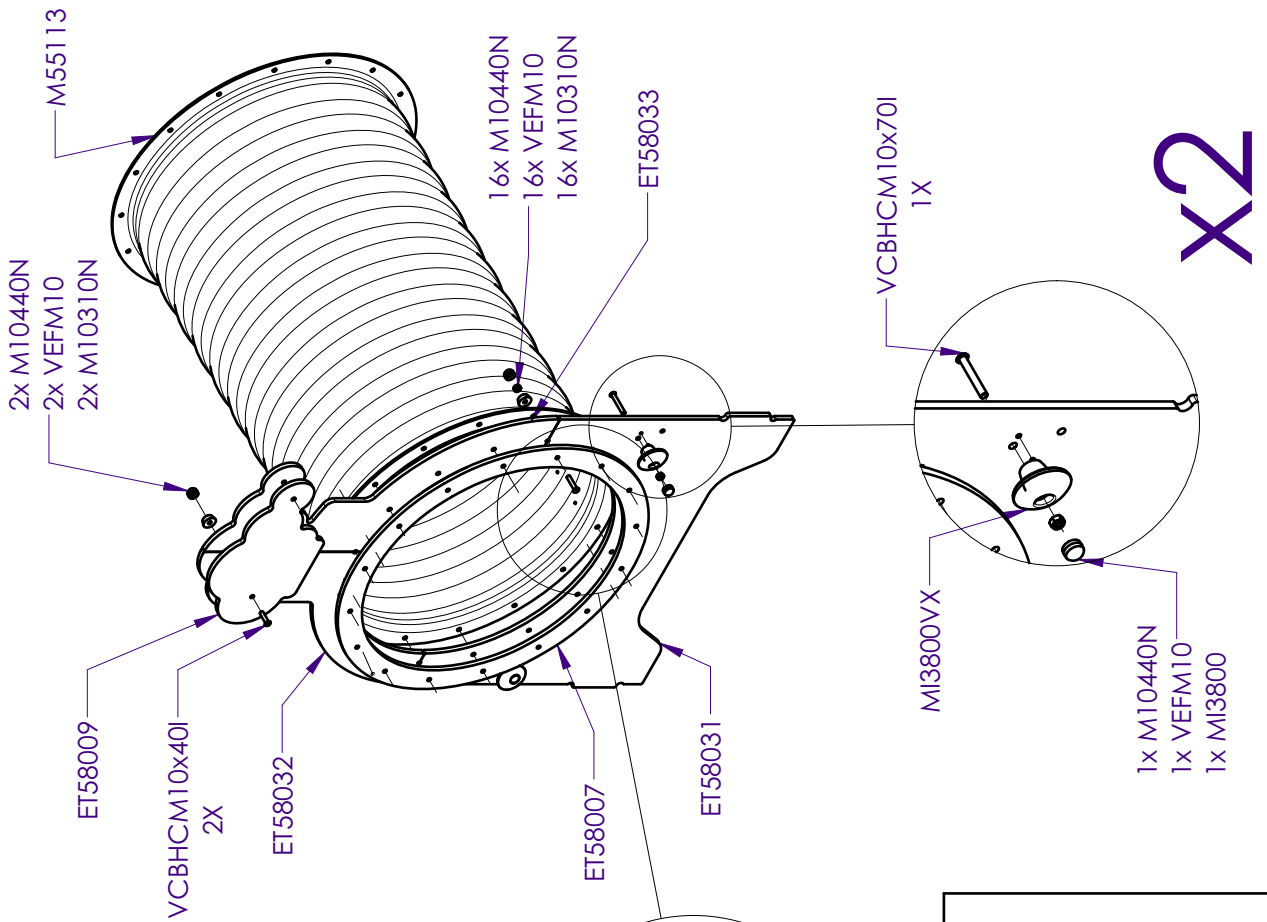
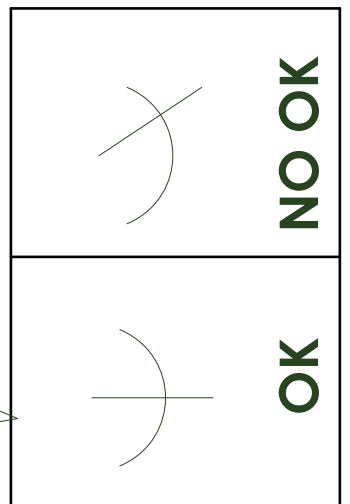
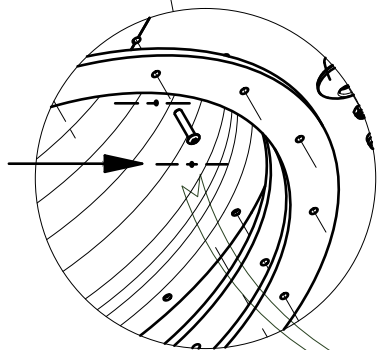
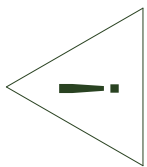
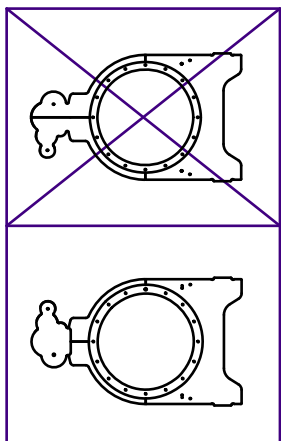
2.1



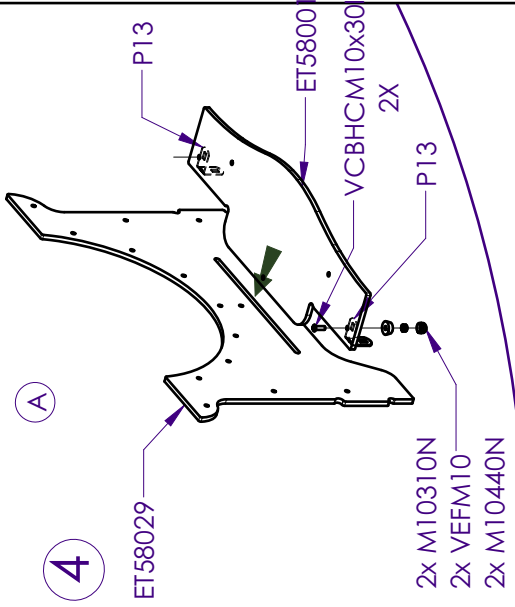
X1

X2

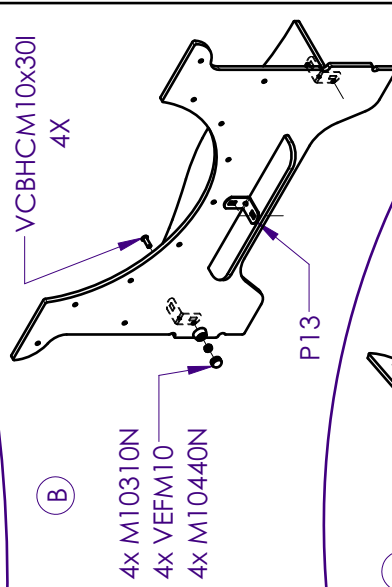
3



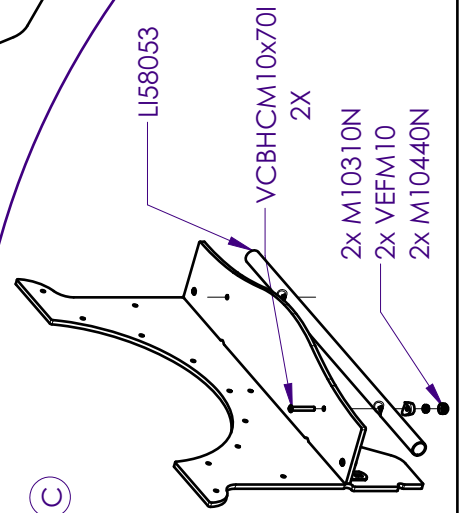
4



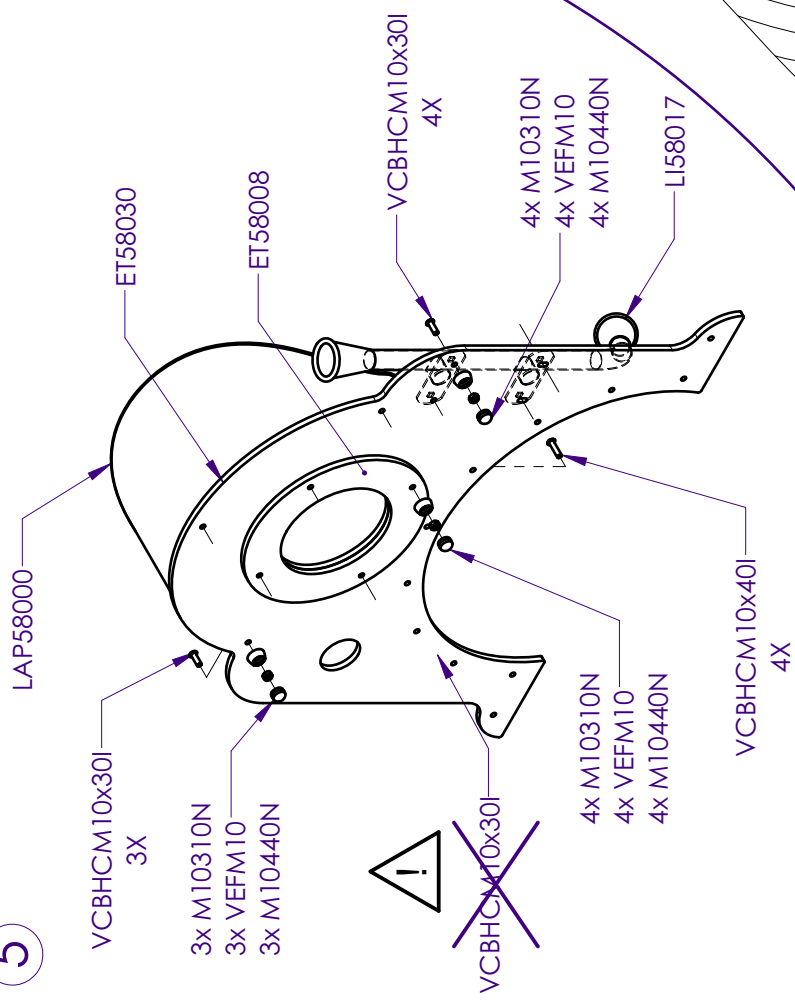
B



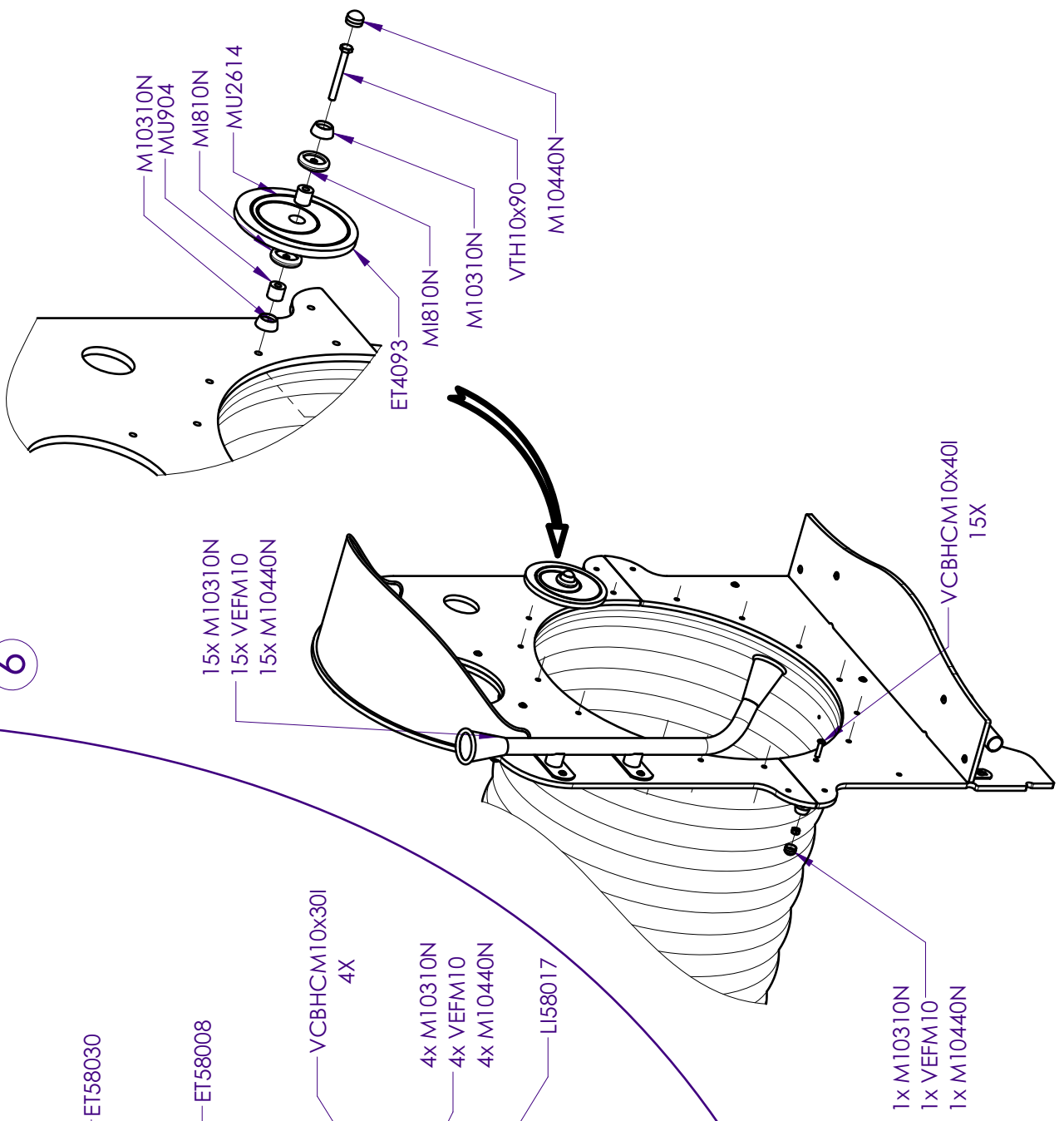
C



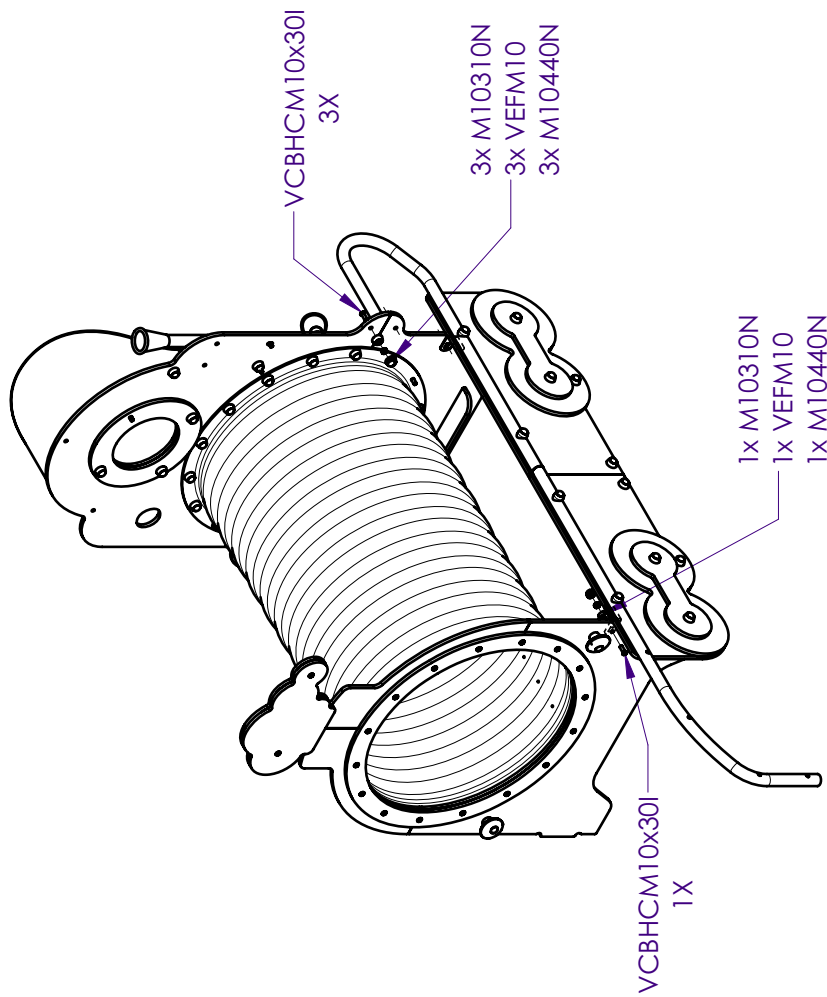
5



6

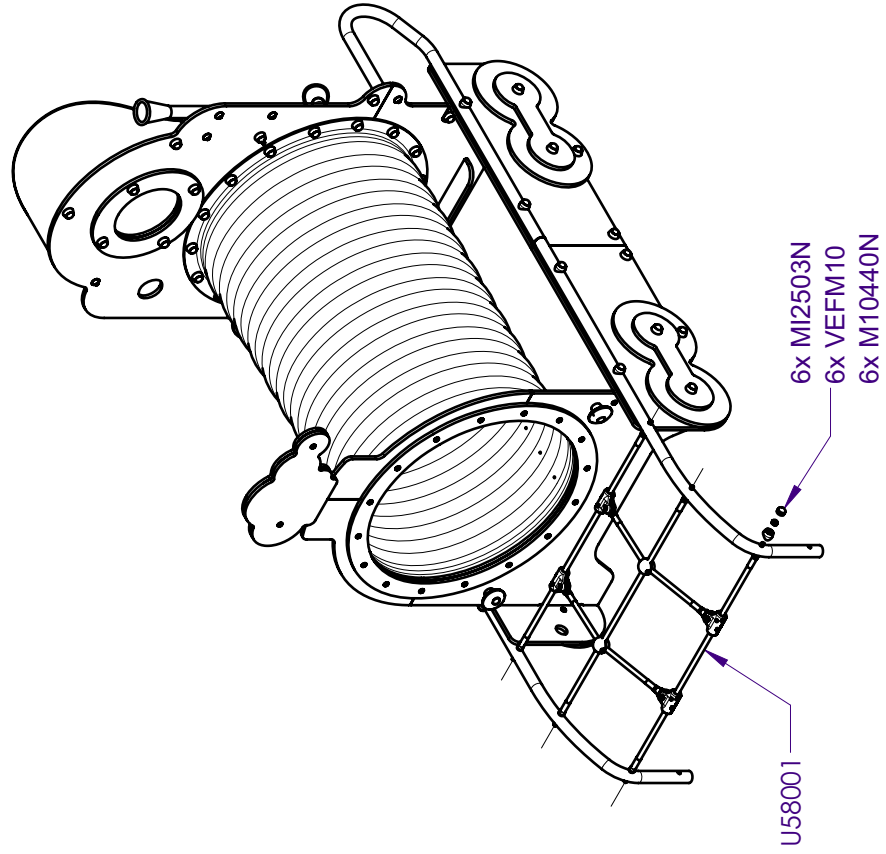


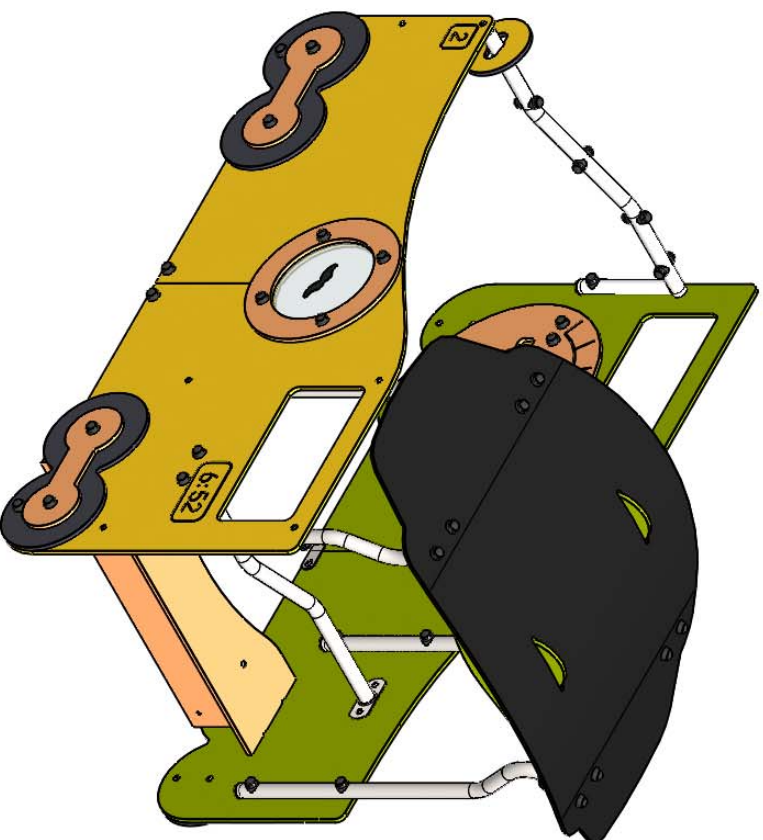
7



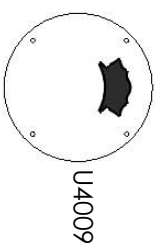
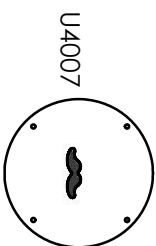
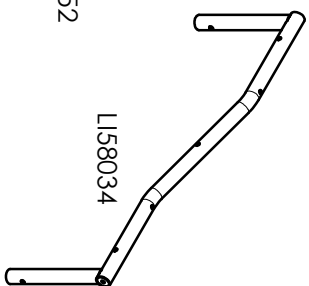
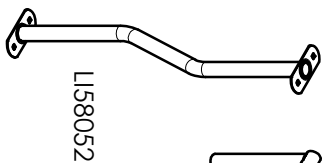
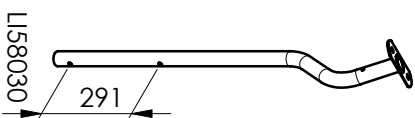
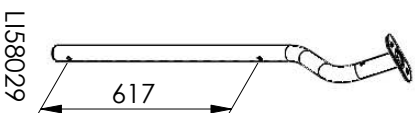
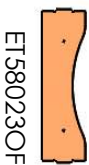
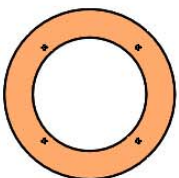
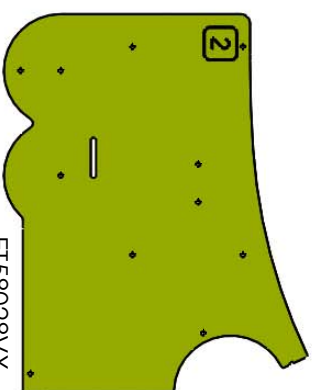
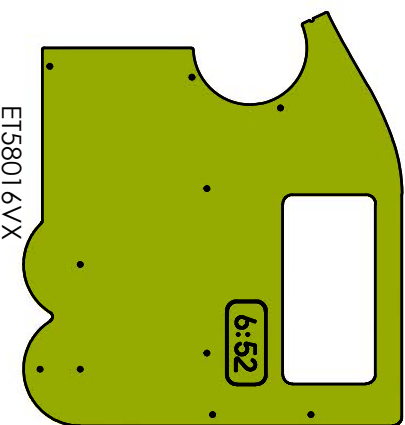
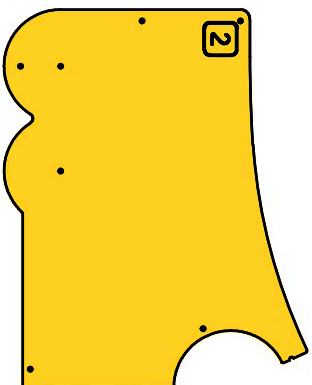
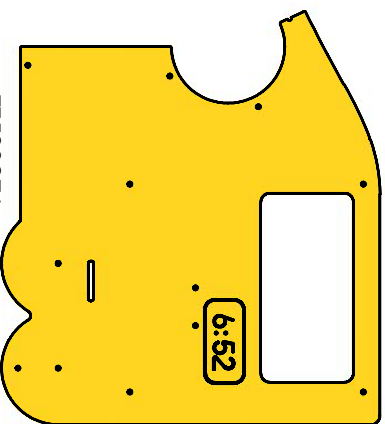
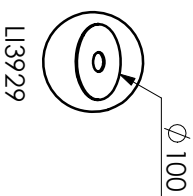
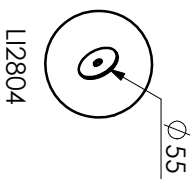
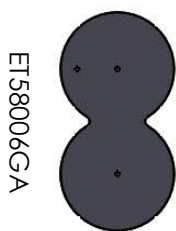
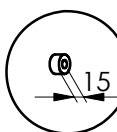
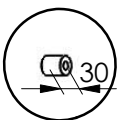
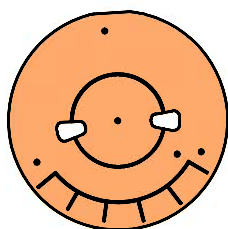
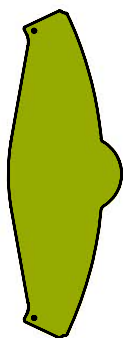
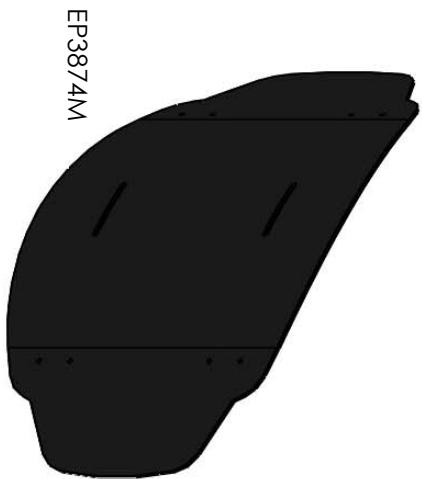
X2

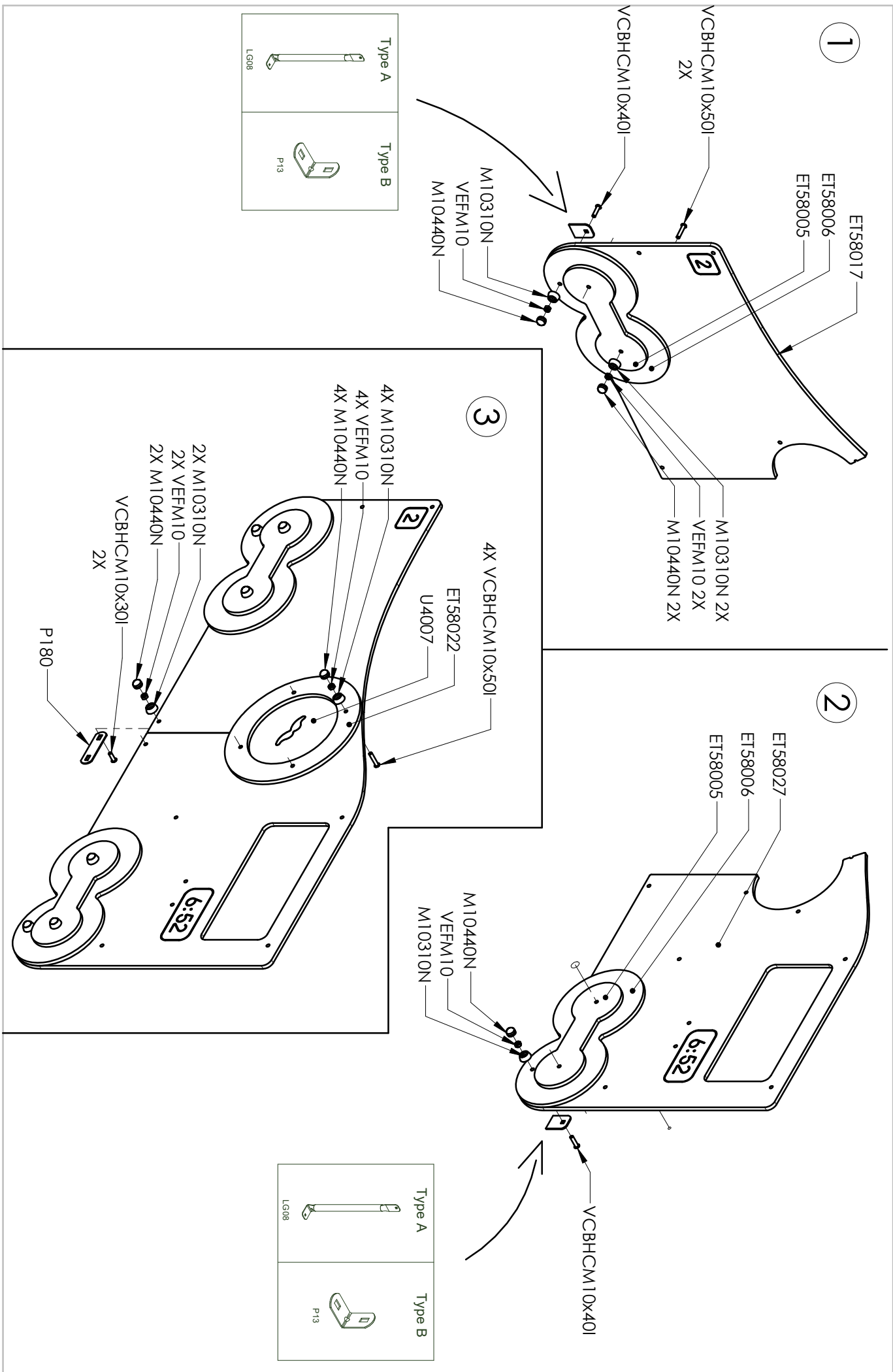
8

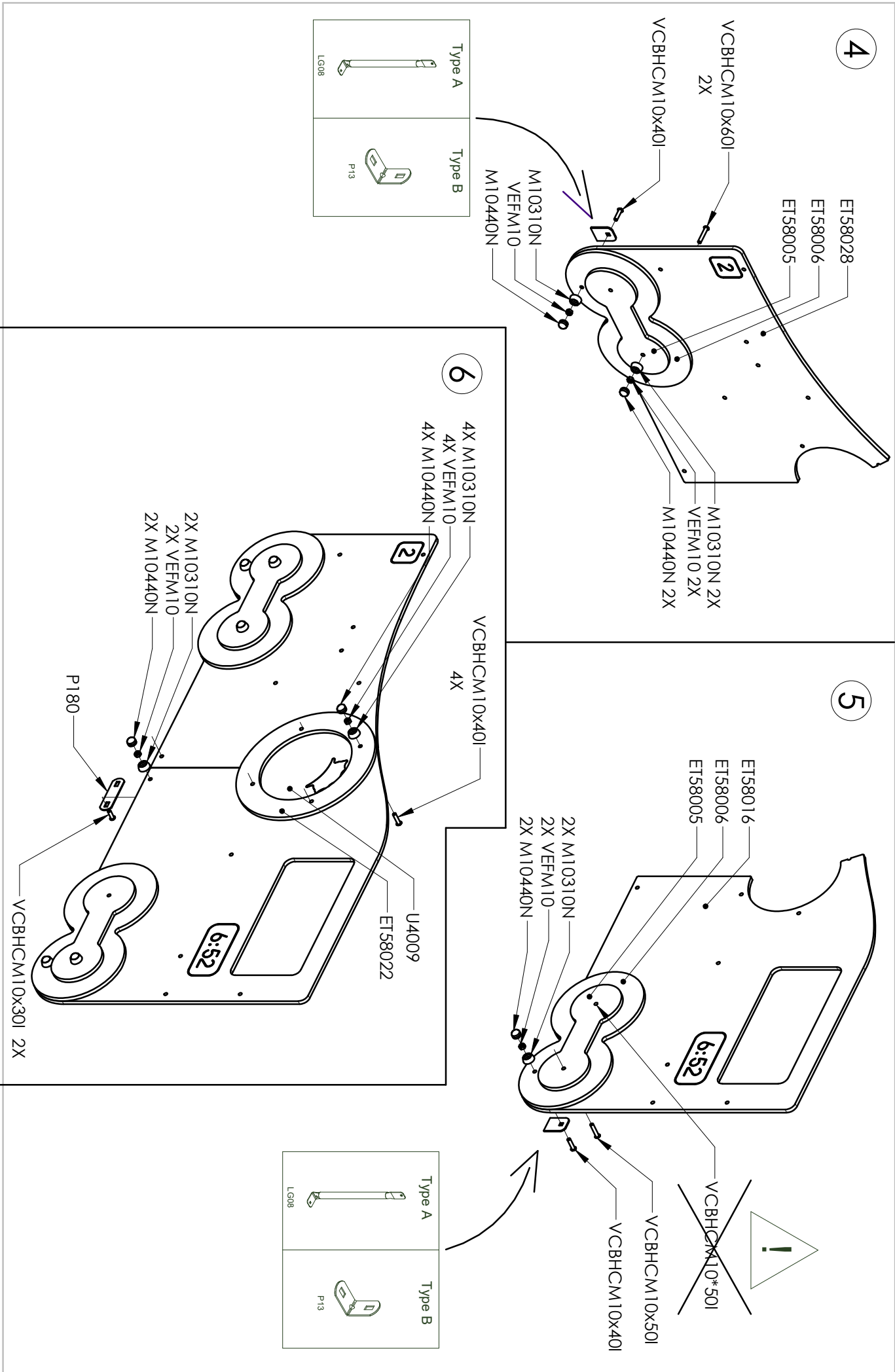


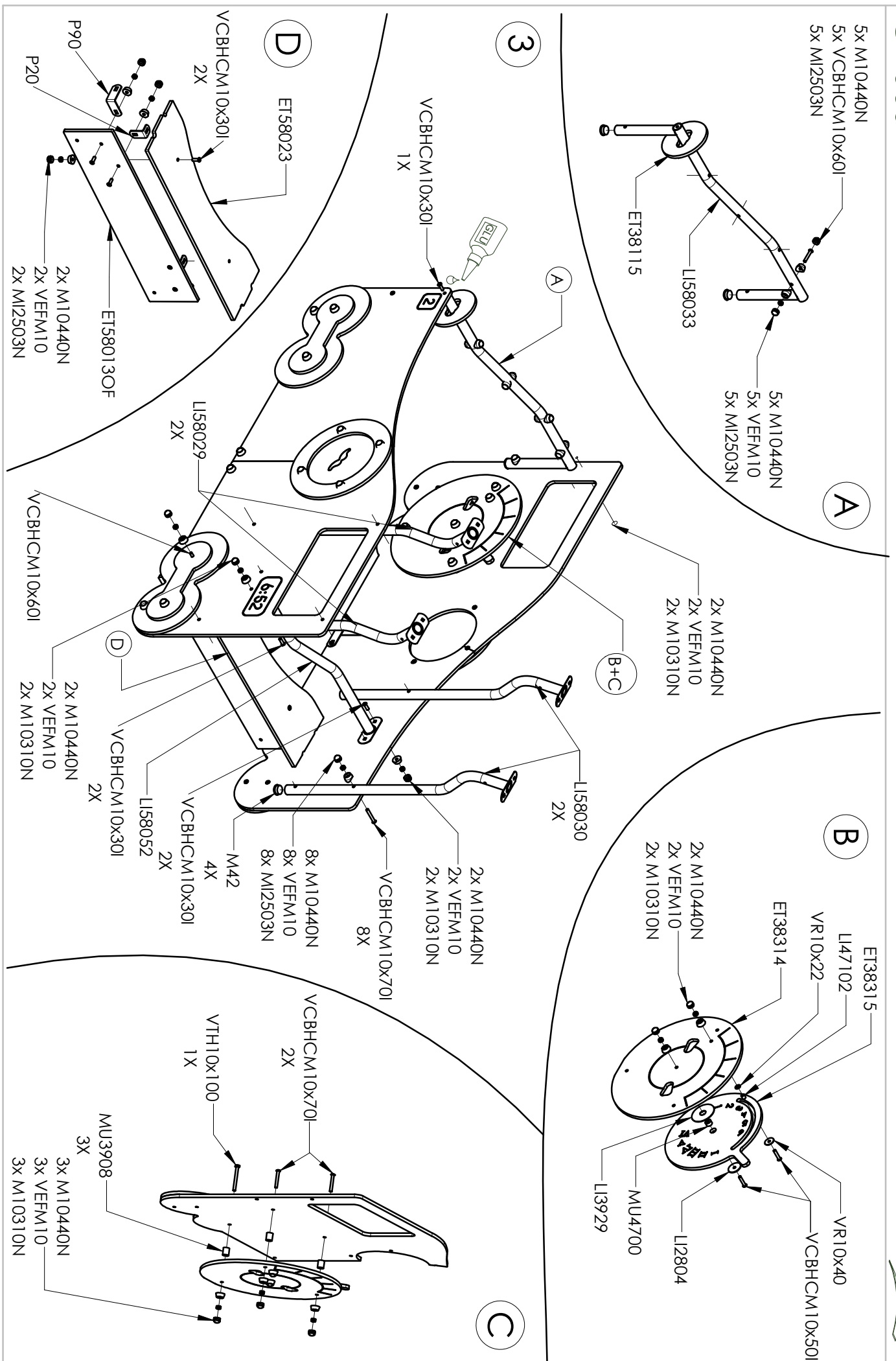


| Réf | Qté | Réf | Qté |
|-----------|-----|-------------|-----|
| EP3874M | 1 | M10310N | 2 |
| ET3873VX | 2 | M10440N | 65 |
| ET38115J | 1 | M10440N | 2 |
| ET38314OF | 1 | M12503N | 20 |
| ET38315J | 1 | M14502N | 8 |
| ET58005OF | 4 | M14503 | 8 |
| ET58006GA | 4 | MU3908 | 3 |
| ET58013OF | 1 | MU4700 | 1 |
| ET58016VX | 1 | P20 | 2 |
| ET58017J | 1 | P90 | 2 |
| ET58022OF | 2 | P180 | 2 |
| ET58023OF | 1 | U4007 | 1 |
| ET58027J | 1 | U4009 | 1 |
| ET58028VX | 1 | VBTR8X25 | 4 |
| L12804 | 1 | VCBHC10x30I | 16 |
| L13929 | 1 | VCBHC10x40I | 8 |
| L147102 | 1 | VCBHC10x50I | 11 |
| L158029 | 2 | VCBHC10x60I | 7 |
| L158030 | 2 | VCBHC10x70I | 12 |
| L158034 | 1 | VEFM8 | 4 |
| L158052 | 1 | VEFM10 | 60 |
| M42 | 6 | VEFM10 | 1 |
| M10310N | 45 | VR10x22 | 1 |
| | | VR10x40 | 1 |
| | | VTH10x100 | 1 |
| | | VTRCC10x30 | 8 |









5x M10440N
5x VCBHCM10x60I
5x M12503N

5x M10440N
5x VEFM10
5x M12503N

2x M10440N
2x VEFM10
2x M10310N

2x M10440N
2x VEFM10
2x M10310N

ET38315
LI47102
VR10x22
VR10x40
VCBHCM10x50I

MU4700
LI2804
LI3929

3

VCBHCM10x30I
1X

D

ET58023

VCBHCM10x30I
2X

P90
P20
2x M10440N
2x VEFM10
2x M12503N

ET580130F

LI58029
2X

VCBHCM10x60I

D

2x M10440N
2x VEFM10
2x M10310N

VCBHCM10x30I
2X

LI58052

VCBHCM10x30I
4X

8x M10440N
8x VEFM10
8x M12503N

M42

2x M10440N
2x VEFM10
2x M10310N

VCBHCM10x70I
8X

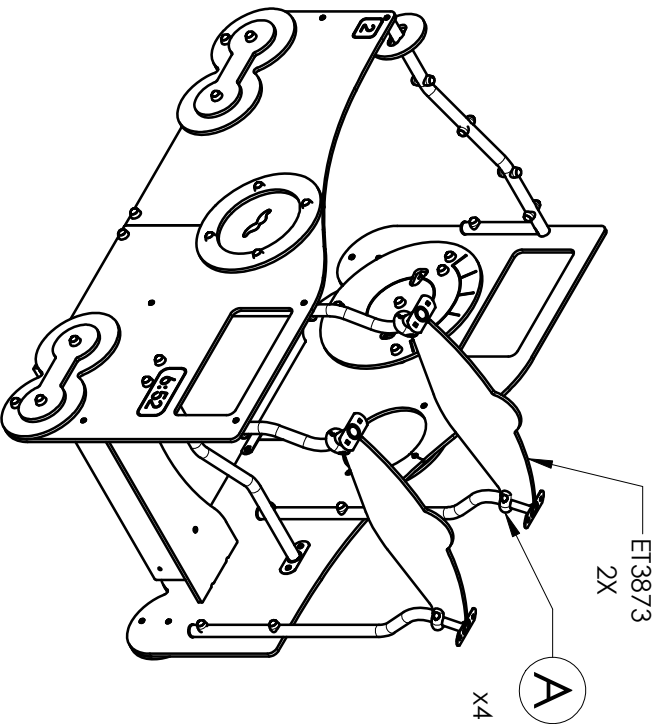
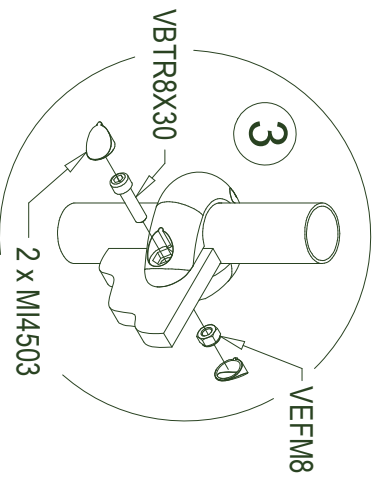
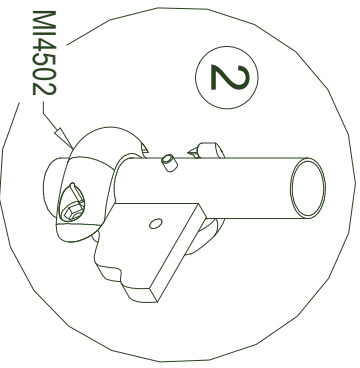
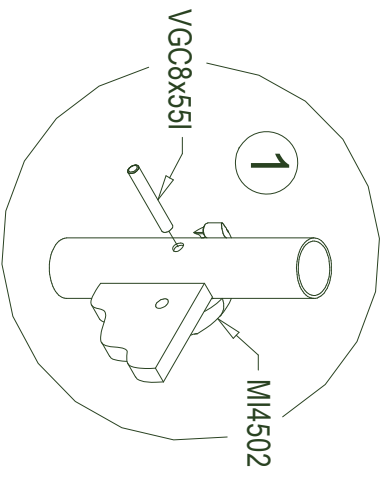
VCBHCM10x70I
2X

VTH10x100
1X

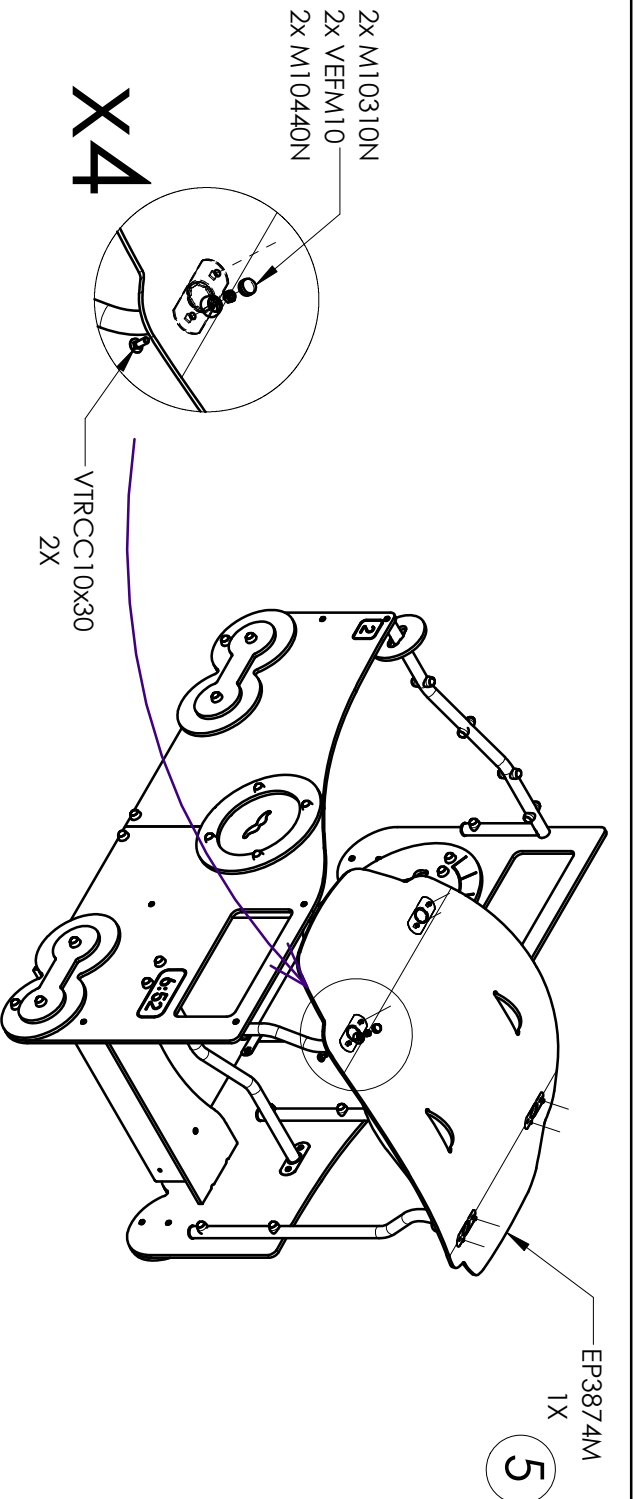
MU3908
3X
3x M10440N
3x VEFM10
3x M10310N

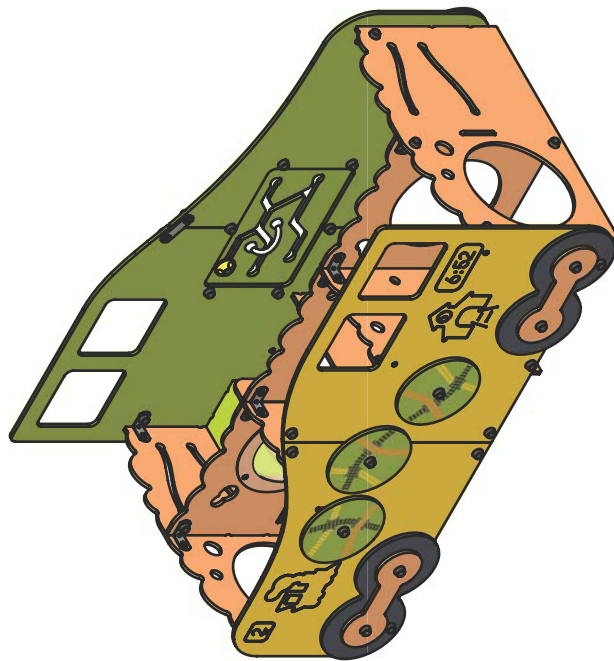
C

A

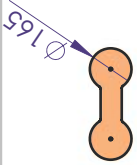


4

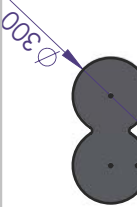




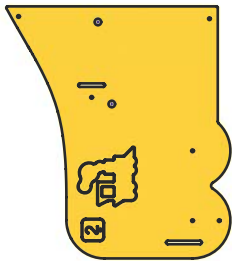
ET9576-G123



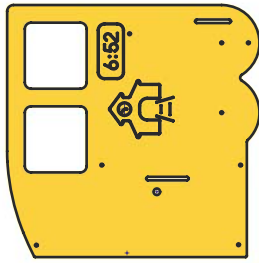
ET58005OF



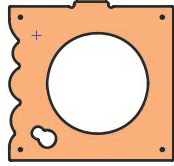
ET58006GA



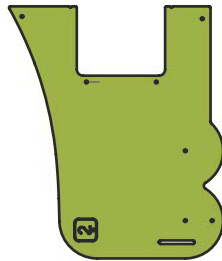
ET58035J



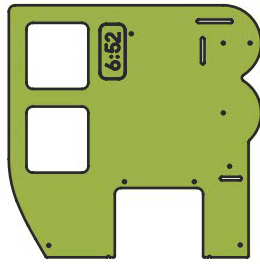
ET58034J



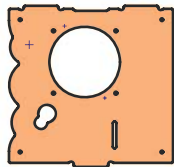
ET58042OF



ET58037VX



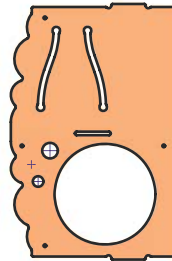
ET58036VX



ET58054OF



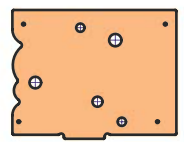
ET58038OF



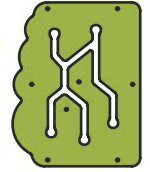
ET58039OF



ET58044VX



ET58040OF

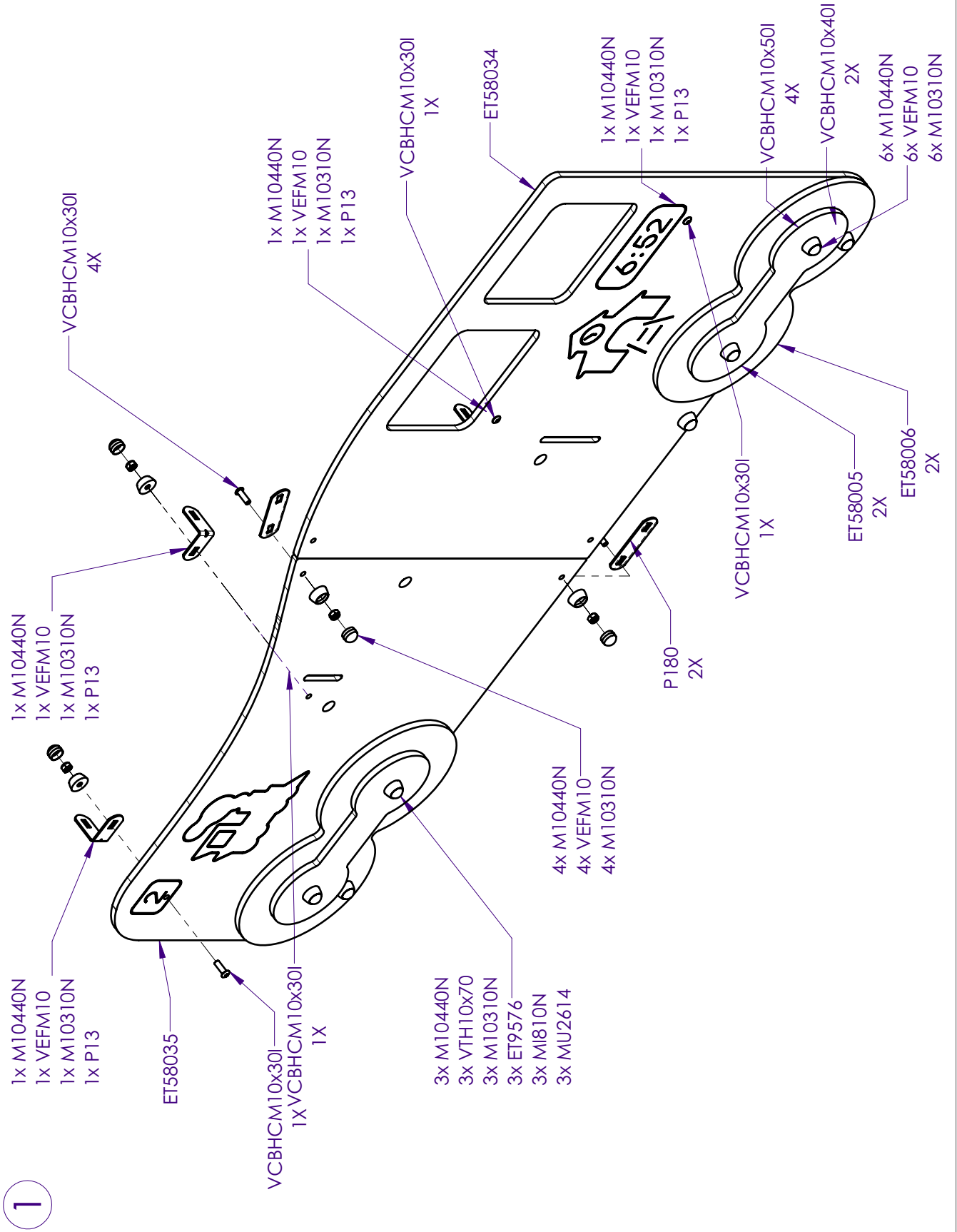


ET58041VX

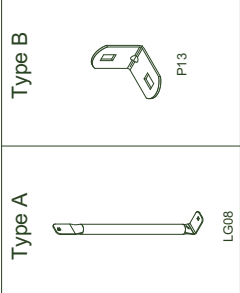
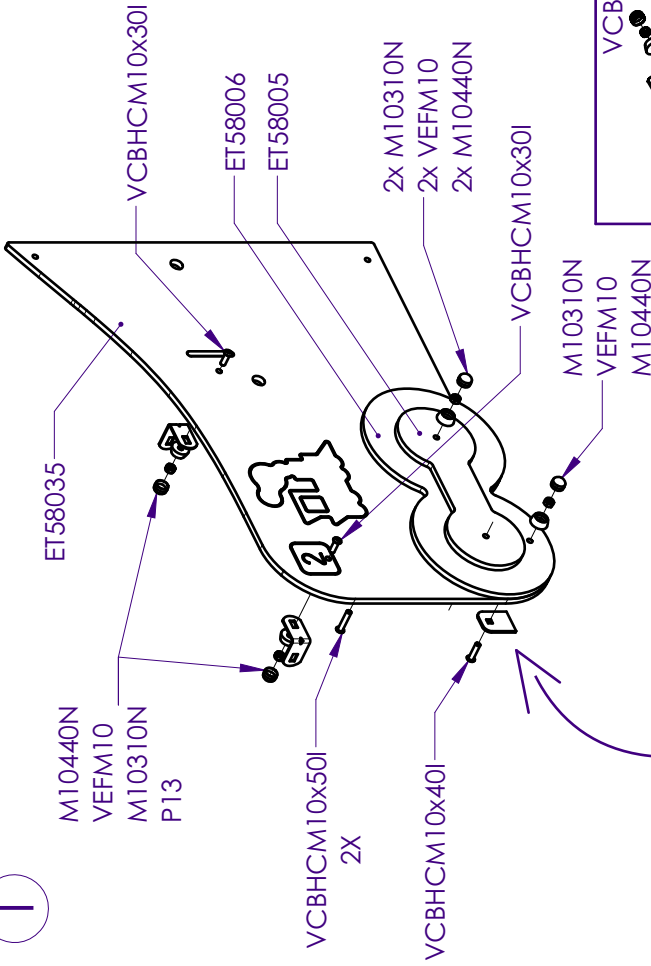


ET58053OF

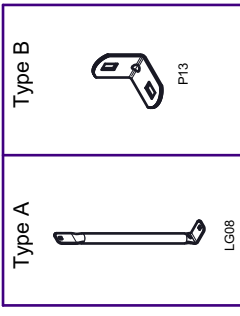
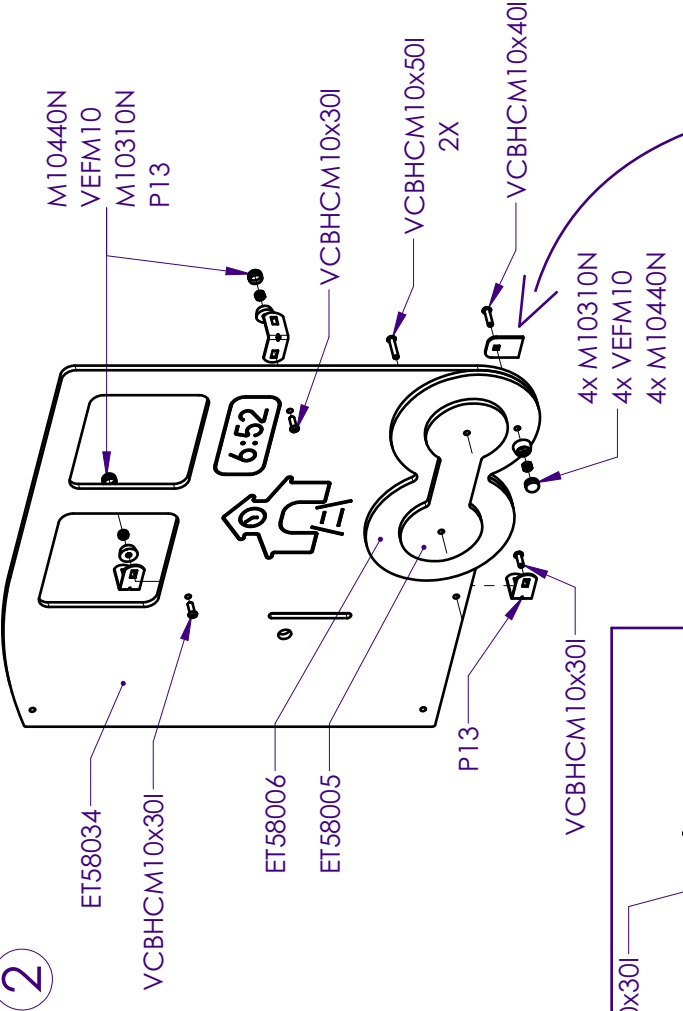
| Réf | Qté |
|-------------|-----|
| ET9576-G123 | 3 |
| ET58005OF | 4 |
| ET58006GA | 4 |
| ET58034J | 1 |
| ET58035J | 1 |
| ET58036VX | 1 |
| ET58037VX | 1 |
| ET58038OF | 1 |
| ET58039OF | 2 |
| ET58040OF | 1 |
| ET58041VX | 1 |
| ET58042OF | 2 |
| ET58044VX | 1 |
| ET58053OF | 1 |
| ET58054OF | 1 |
| M4001 | 1 |
| M10310N | 72 |
| M10440N | 73 |
| MI323J | 1 |
| MI800 | 1 |
| MI810N | 6 |
| MU2614 | 4 |
| P13 | 20 |
| P180 | 4 |
| VCBHC10x30I | 48 |
| VCBHC10x40I | 11 |
| VCBHC10x50I | 9 |
| VCBHC10x60I | 1 |
| VEFM10 | 70 |
| VTH10x70 | 3 |



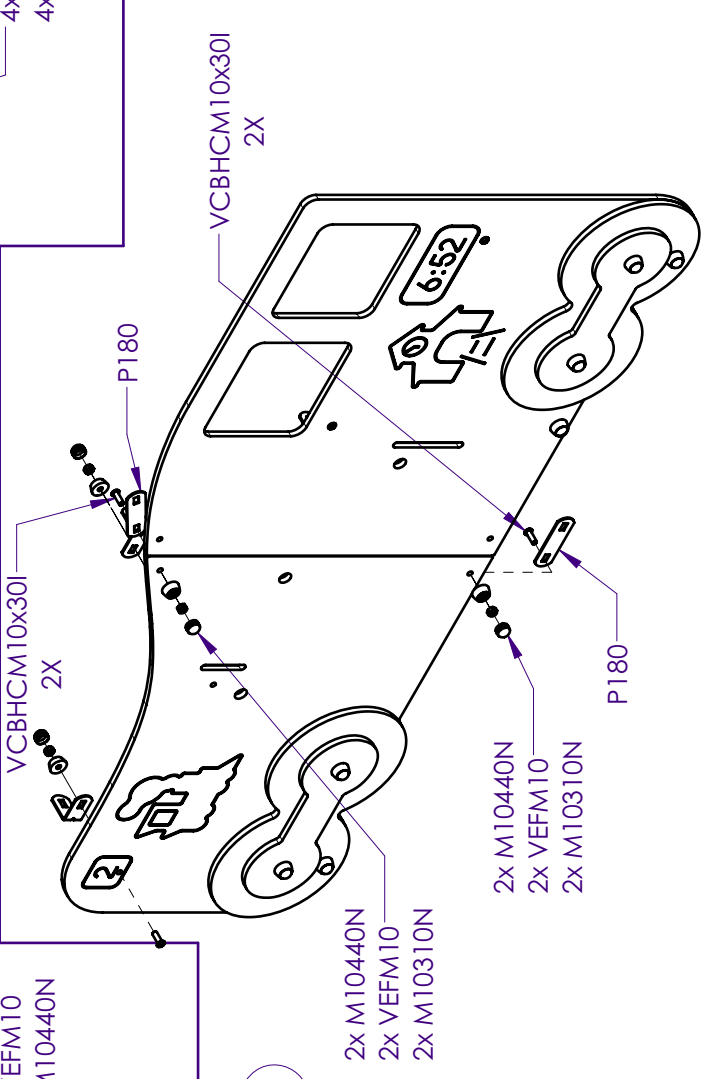
1



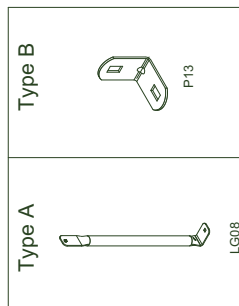
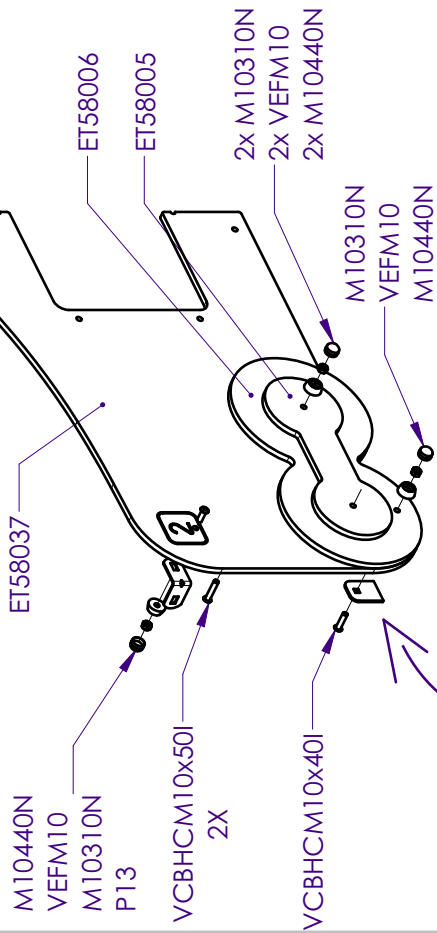
2



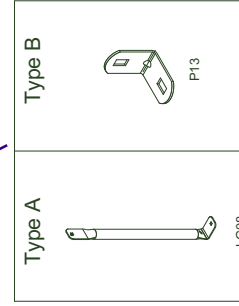
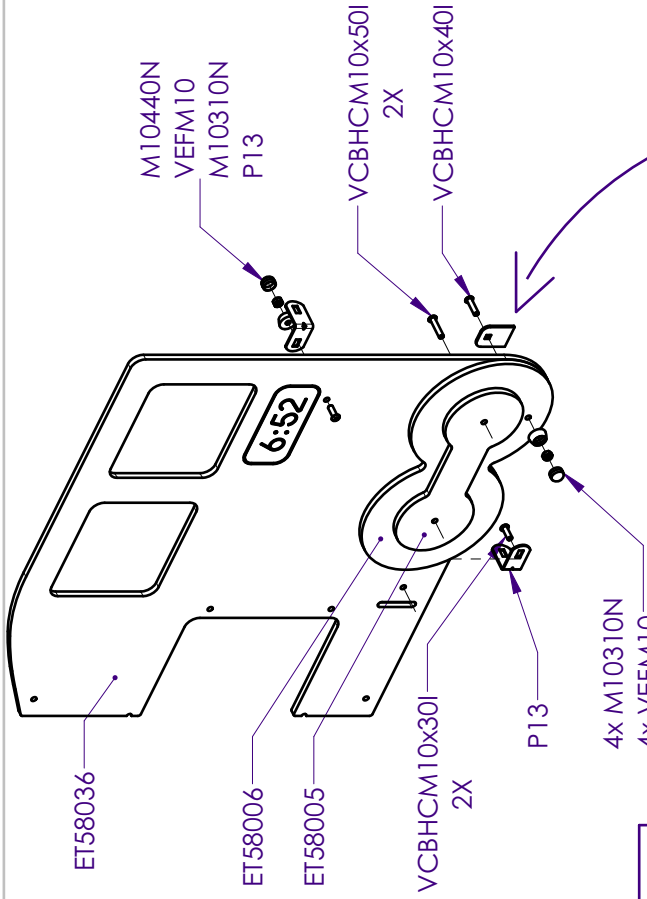
3



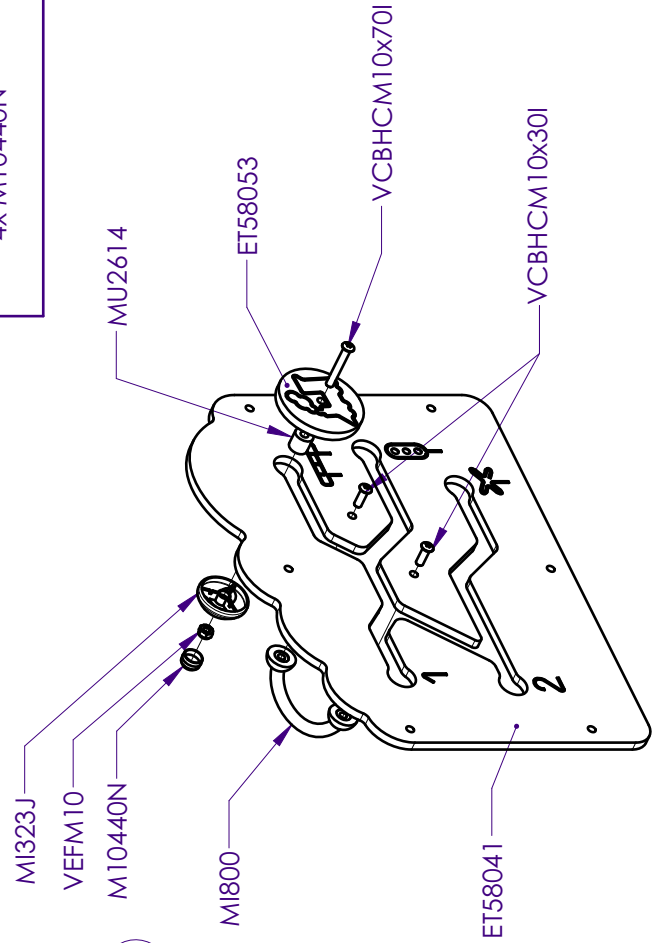
4



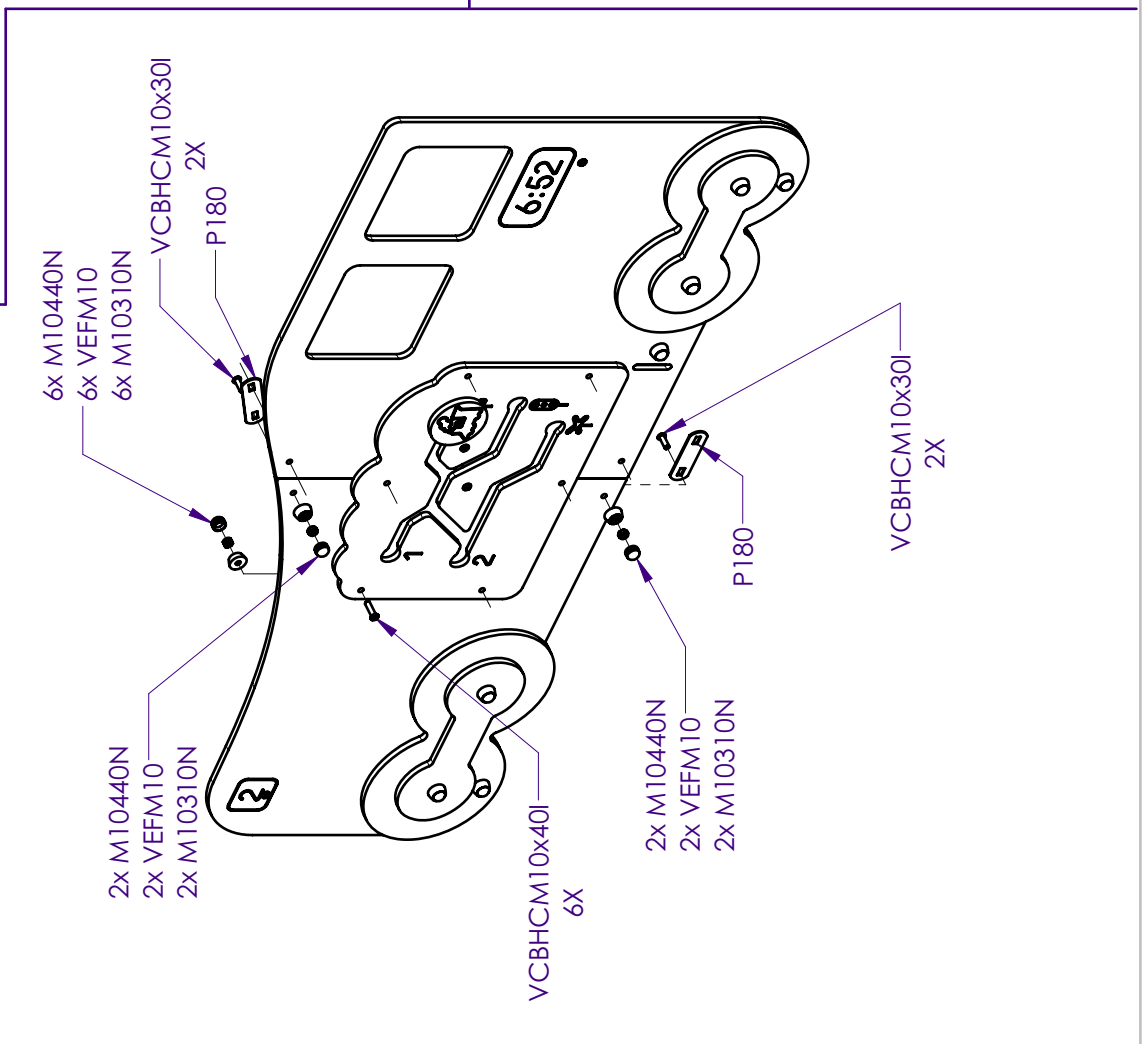
5



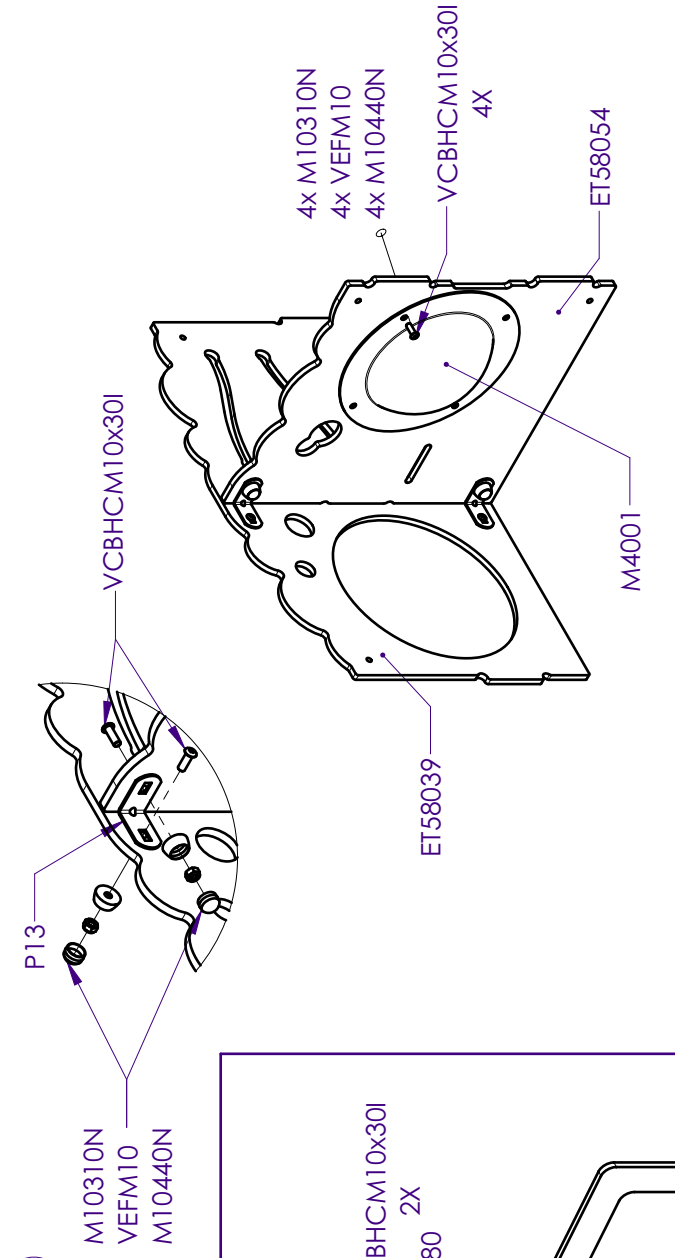
6



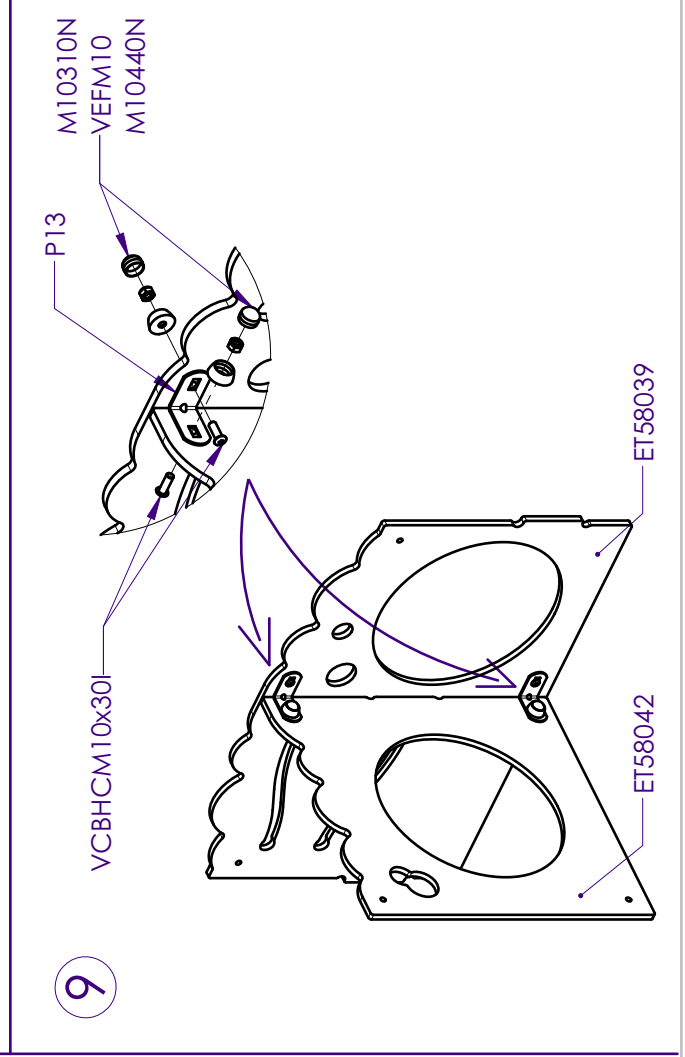
7



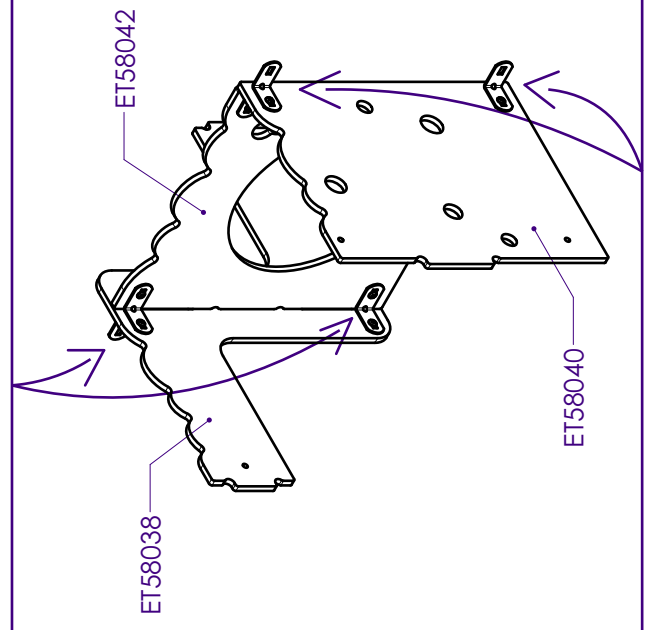
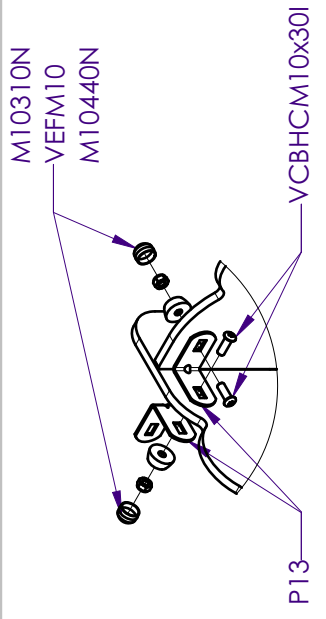
8



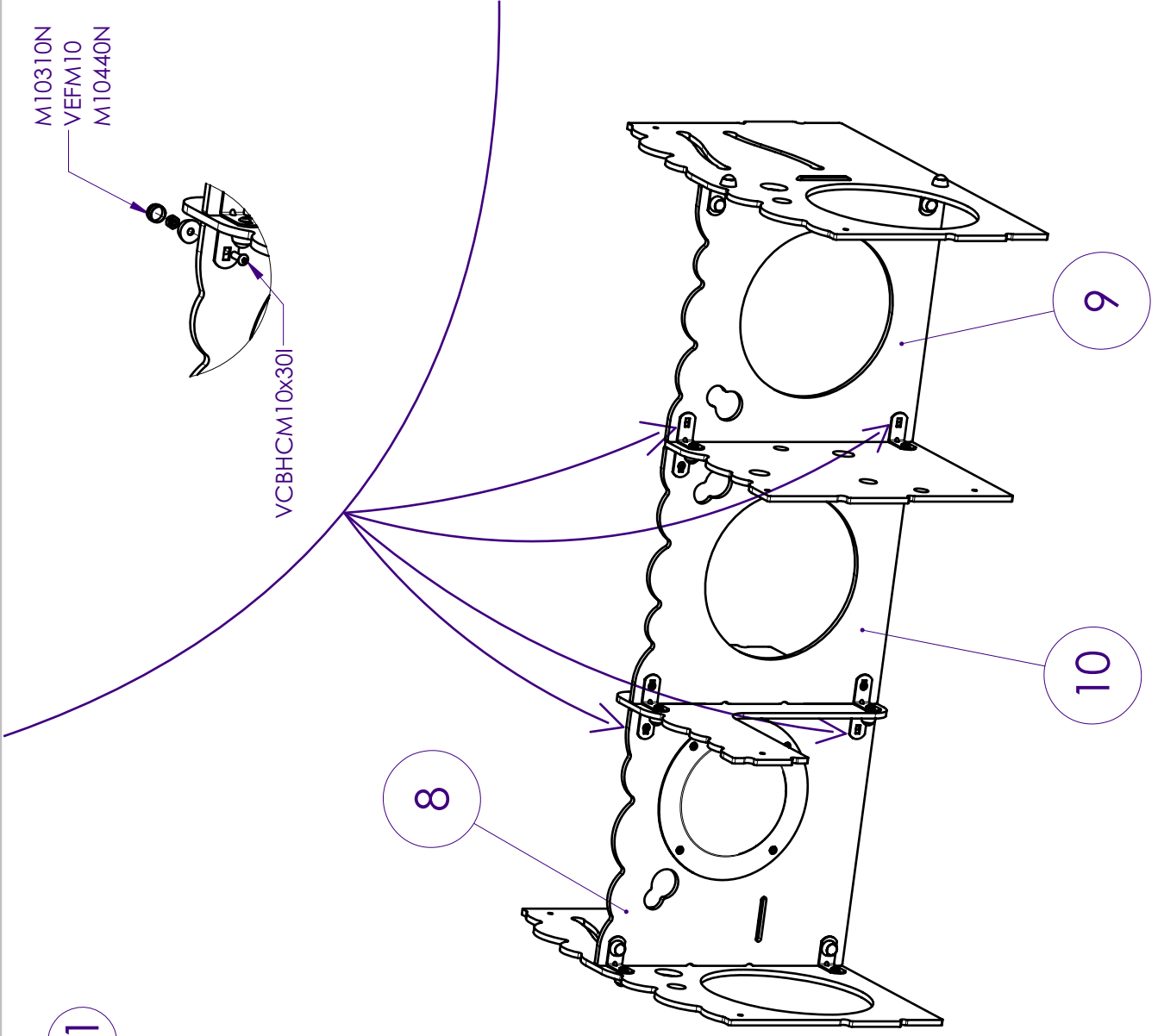
9



10



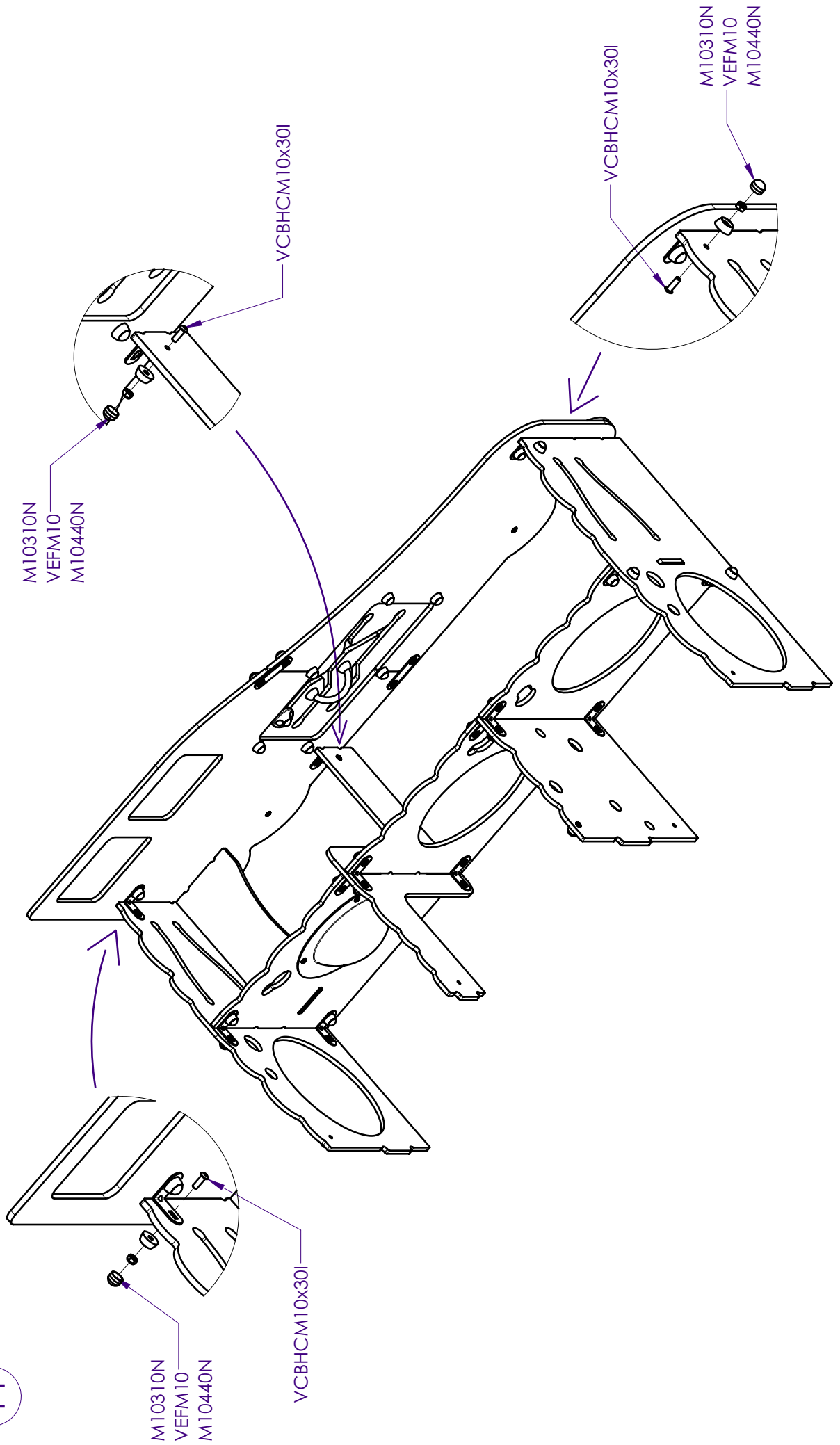
11



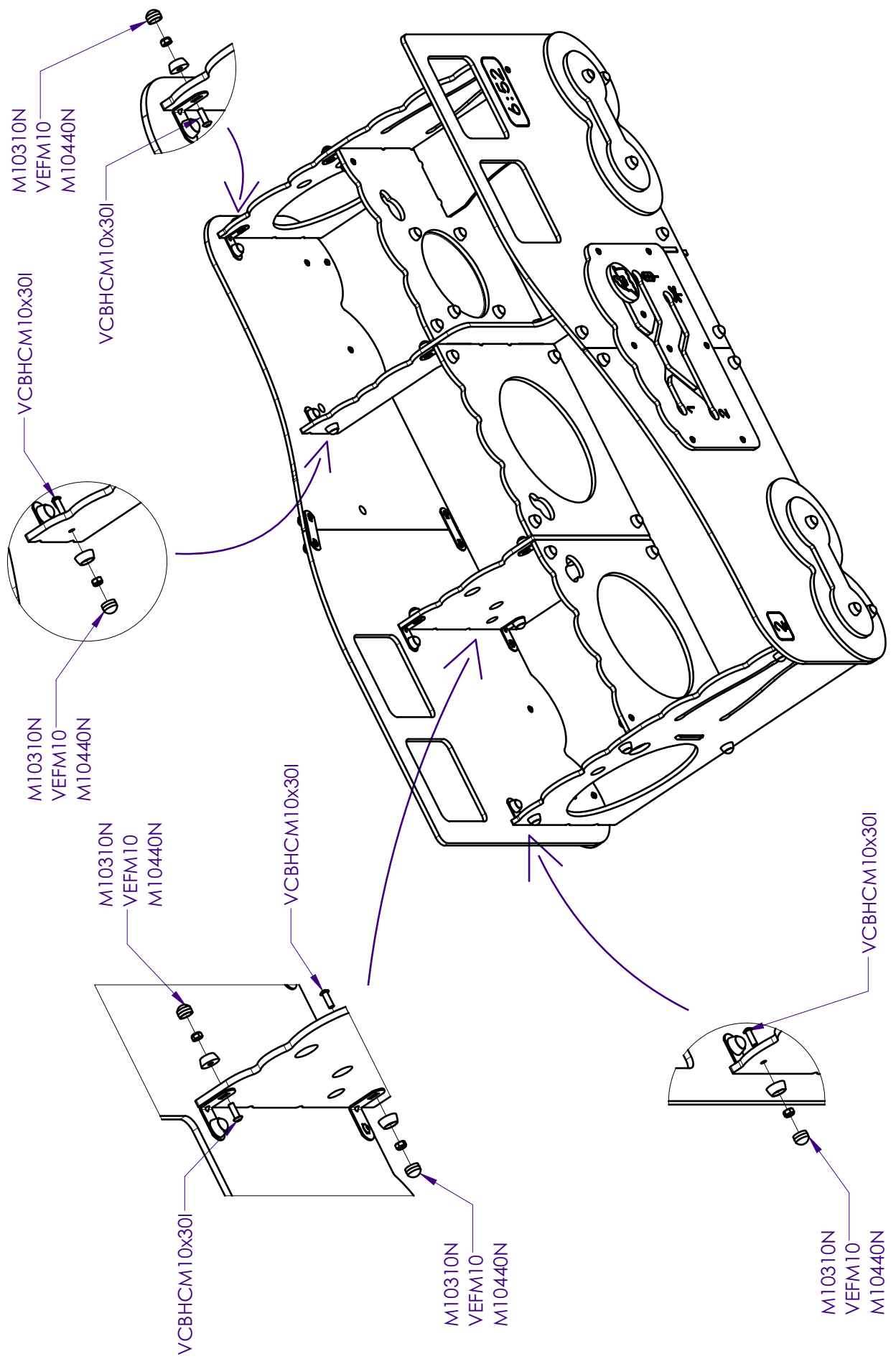
M10310N
VEFM10
M10440N

VCBHCM10x30I

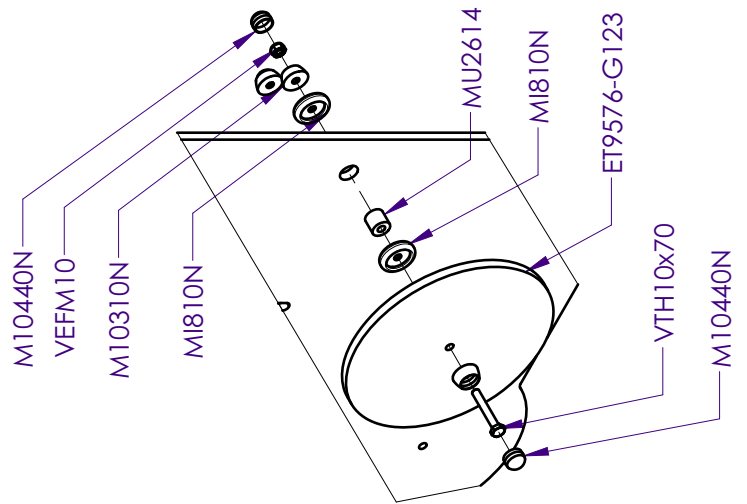
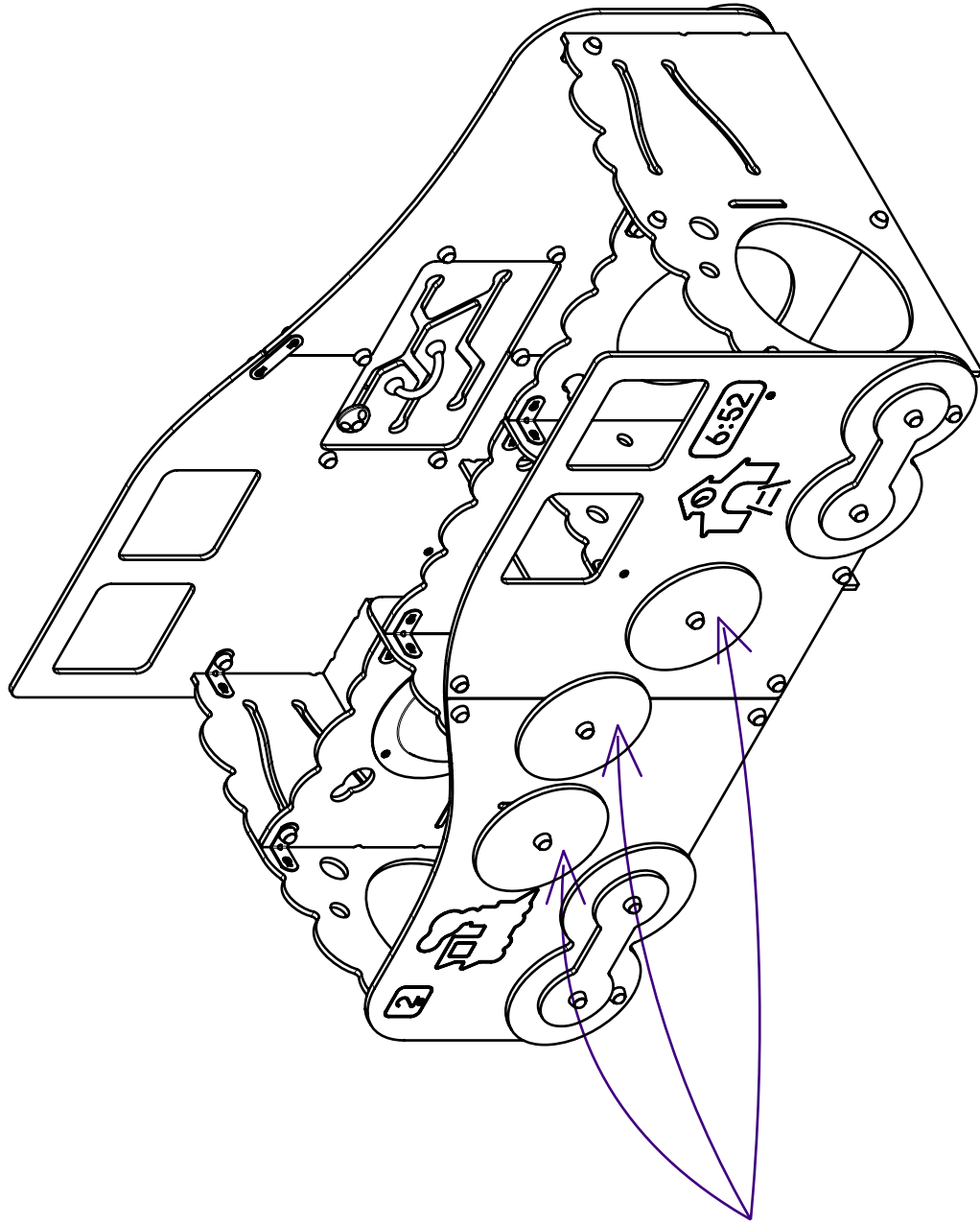
11

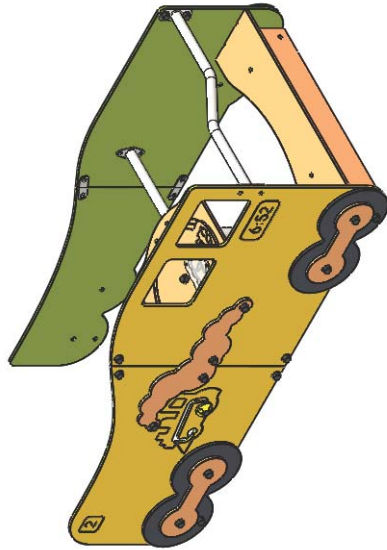


12



13





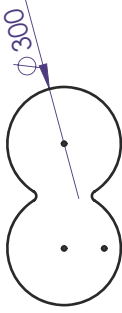
ET58049OF



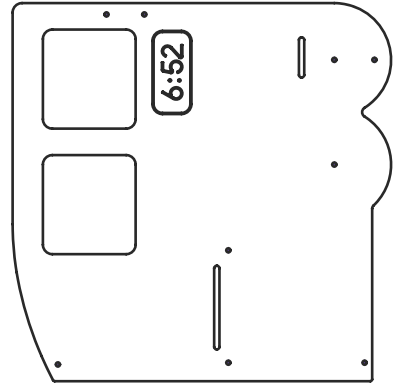
ET58005OF



ET58006GA



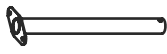
ET58023OF



ET58026J



ET58013OF



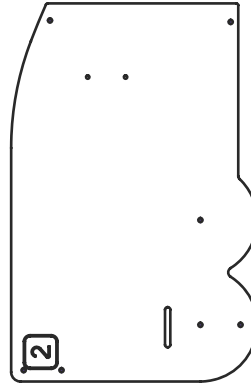
LI9545



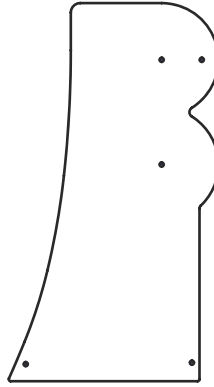
ET58046J



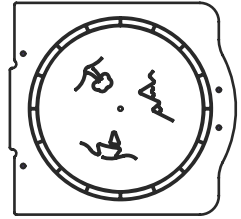
LI58052



ET58015VX



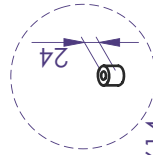
ET58048VX



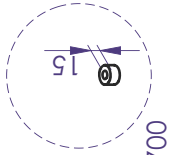
ET58014OF



LI58051



MU2614



MU4700



U2648-1

| Réf | Qté | Réf | Qté |
|-----------|-----|-------------|-----|
| ET58005OF | 4 | MI323J | 2 |
| ET58006GA | 4 | MI2502N | 2 |
| ET58013OF | 1 | MU2614 | 1 |
| ET58014OF | 1 | MU4700 | 1 |
| ET58015VX | 1 | P10 | 2 |
| ET58023OF | 1 | P20 | 4 |
| ET58026J | 1 | P180 | 4 |
| ET58046J | 1 | U2648-1 | 1 |
| ET58048VX | 1 | VCBHC6x25I | 4 |
| ET58049OF | 1 | VCBHC8x30I | 2 |
| LI3929 | 1 | VCBHC10x30I | 22 |
| LI9545 | 1 | VCBHC10x40I | 7 |
| LI58051 | 1 | VCBHC10x50I | 10 |
| LI58052 | 1 | VCBHC10x60I | 1 |
| M8310N | 2 | VEBM6 | 4 |
| M8440N | 2 | VEFM8 | 2 |
| M10310N | 39 | VEFM10 | 40 |
| M10440N | 41 | VGC8x55I | 1 |

1

2

