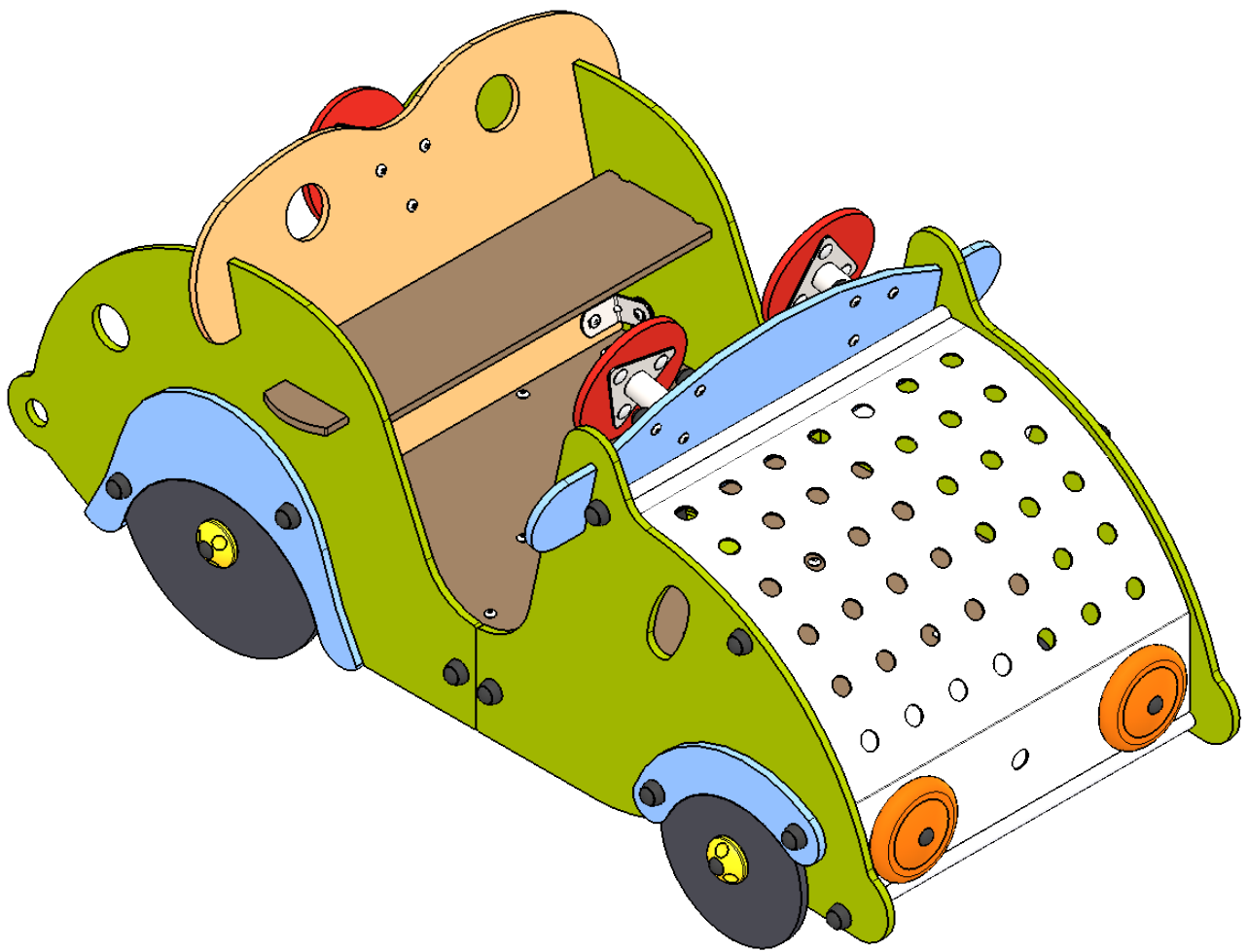
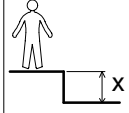
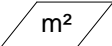


J2611

Proludic





N°		
1	0.5 m	16.5 m ²

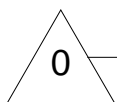
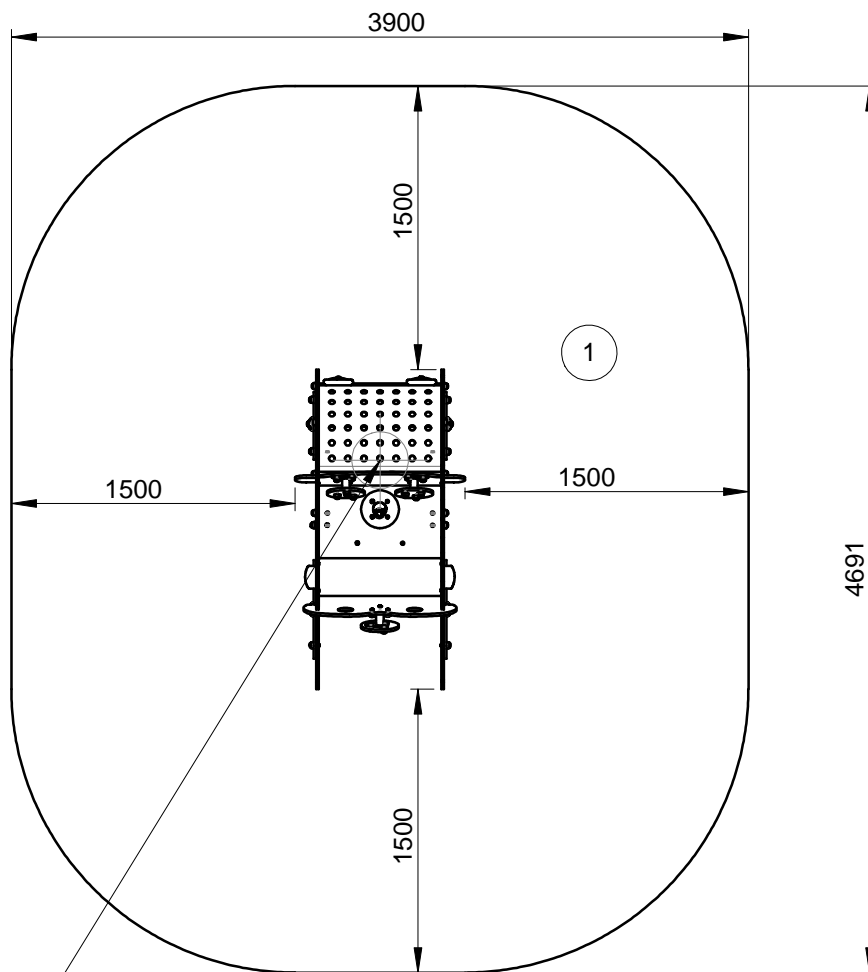
— Zone d'impact
Impact area
Area de impacto
Fallraum
Valzone

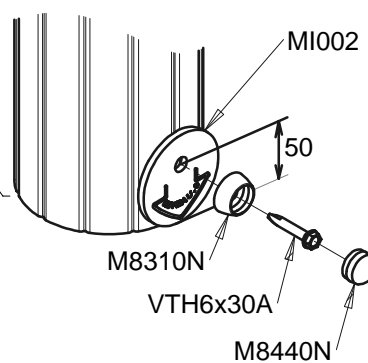
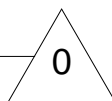
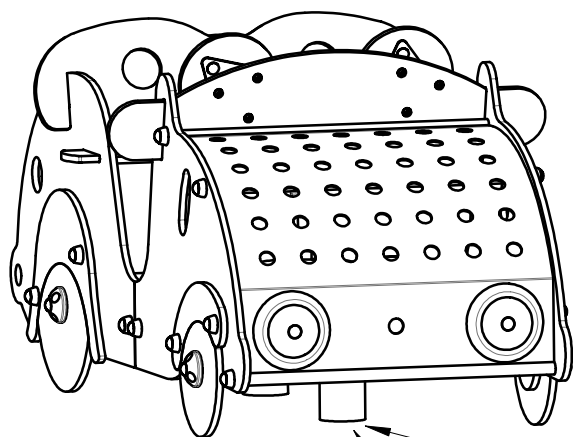
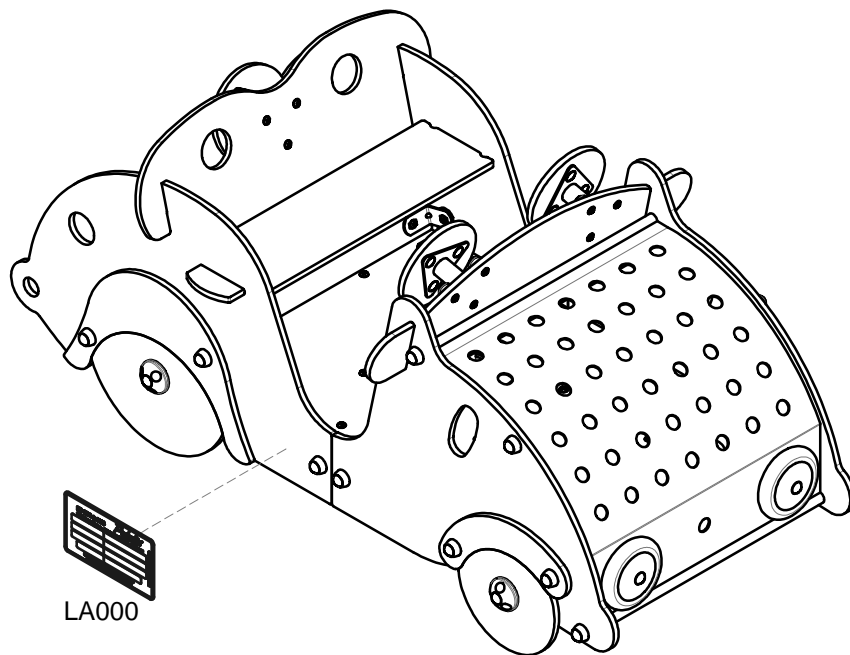


Point de référence
Setting out point
Punto de referencia
Bezugspunkt
Referentiepunt

- - - Espace libre
Free space
Espacio libre
Freiraum
Vrije ruimte

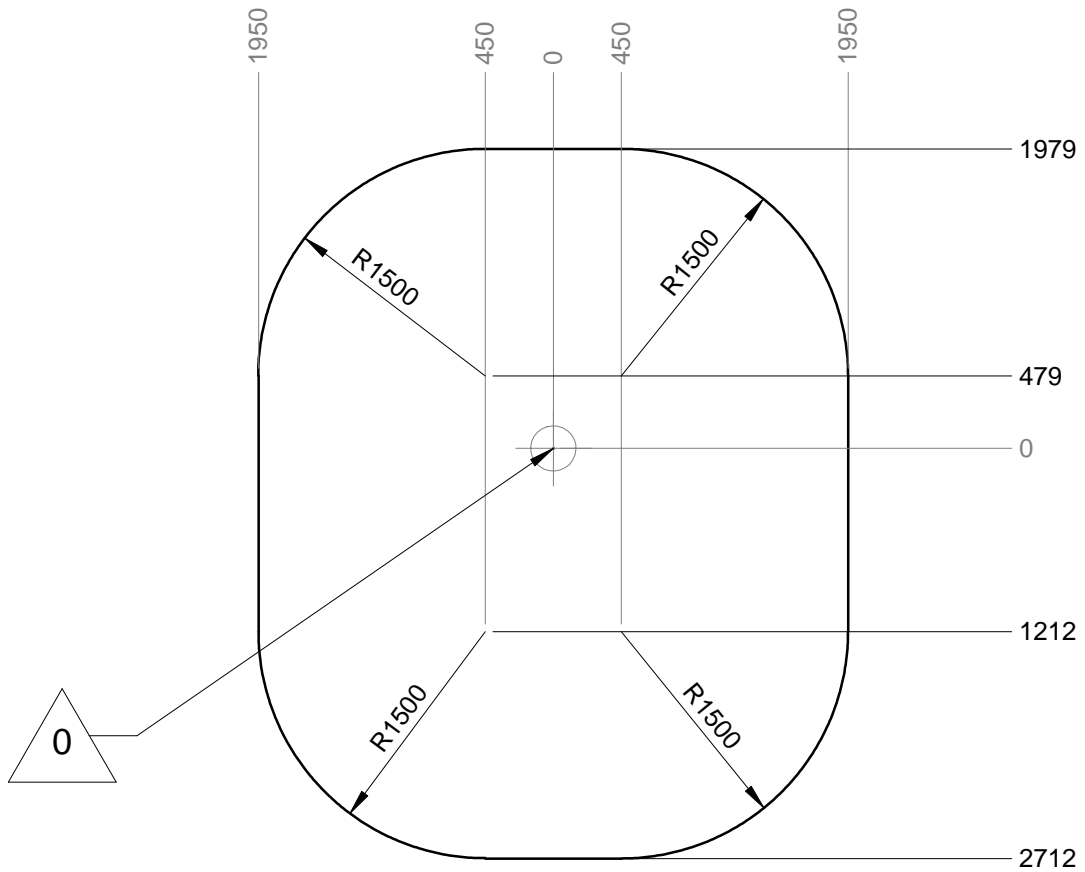
EN1176-1:2017





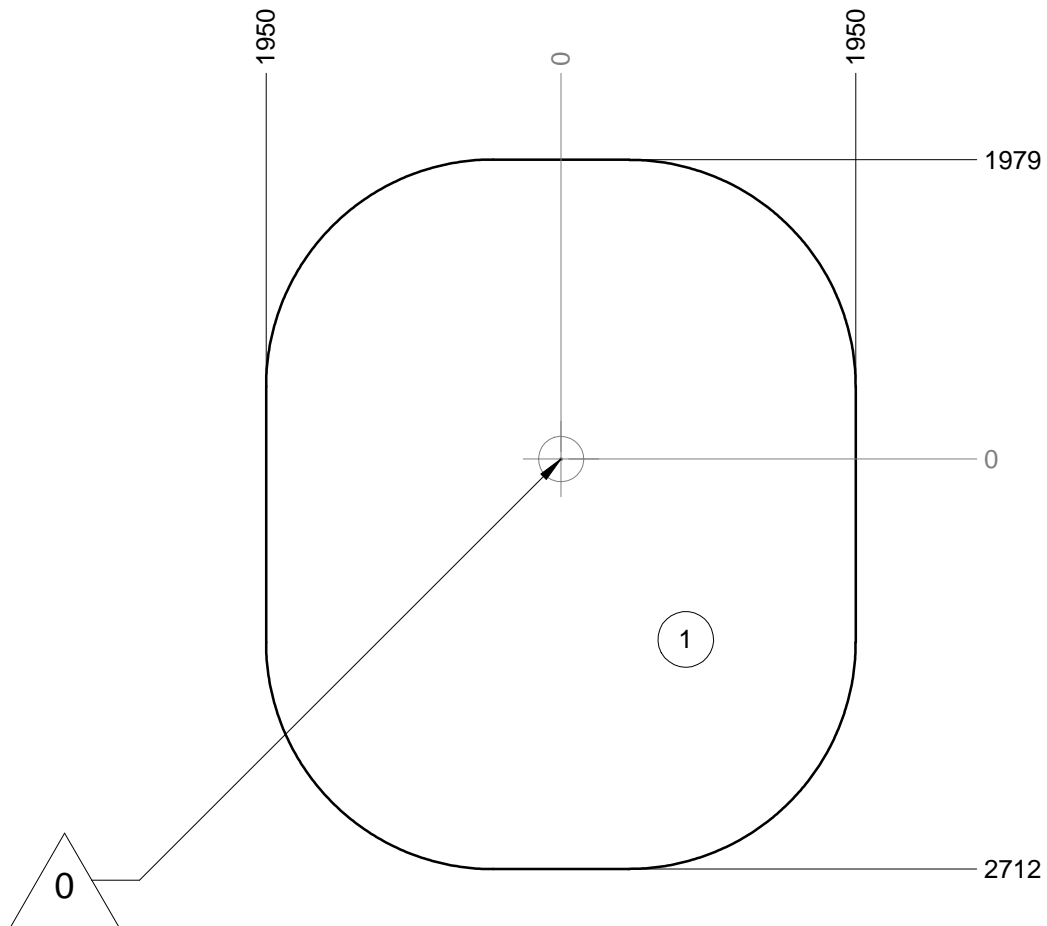
— Zone d'impact
Impact area
Area de impacto
Fallraum
Valzone

16.5 m²



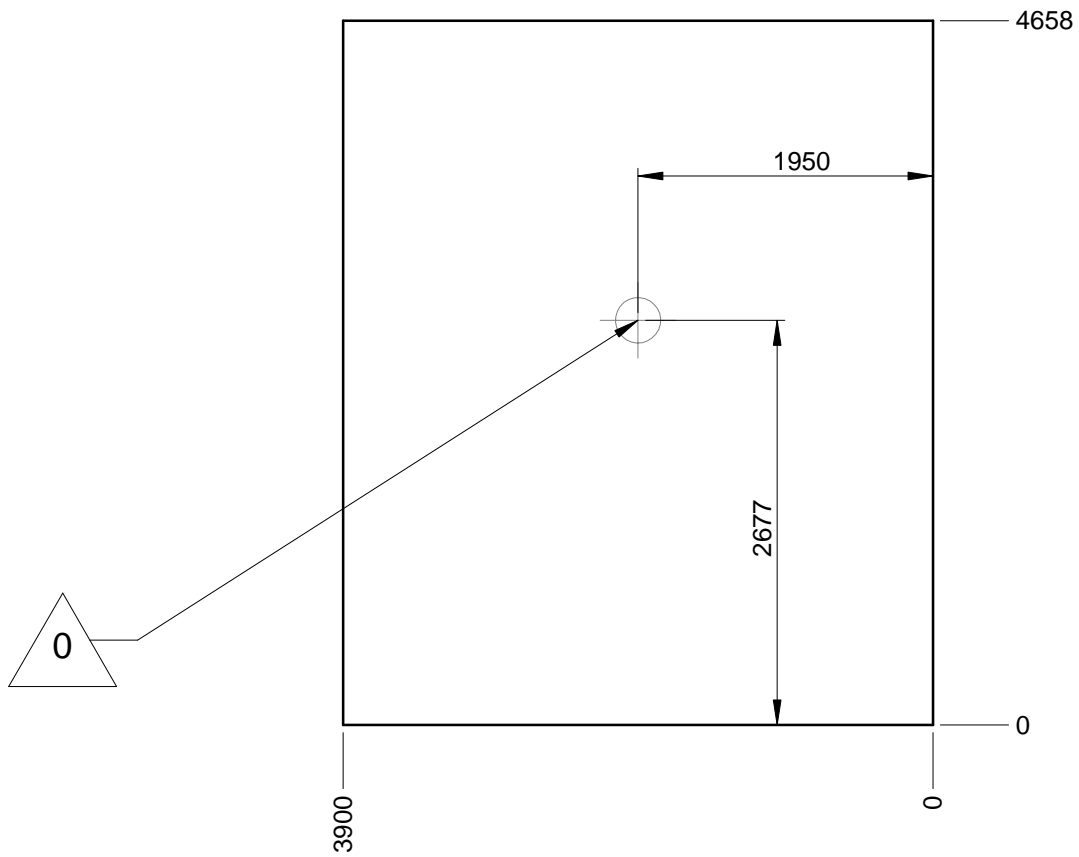
— Sol souple
Wetpour
Caucho continuo
Synthetischer Fallschutz
Gietvloer

16.5 m²

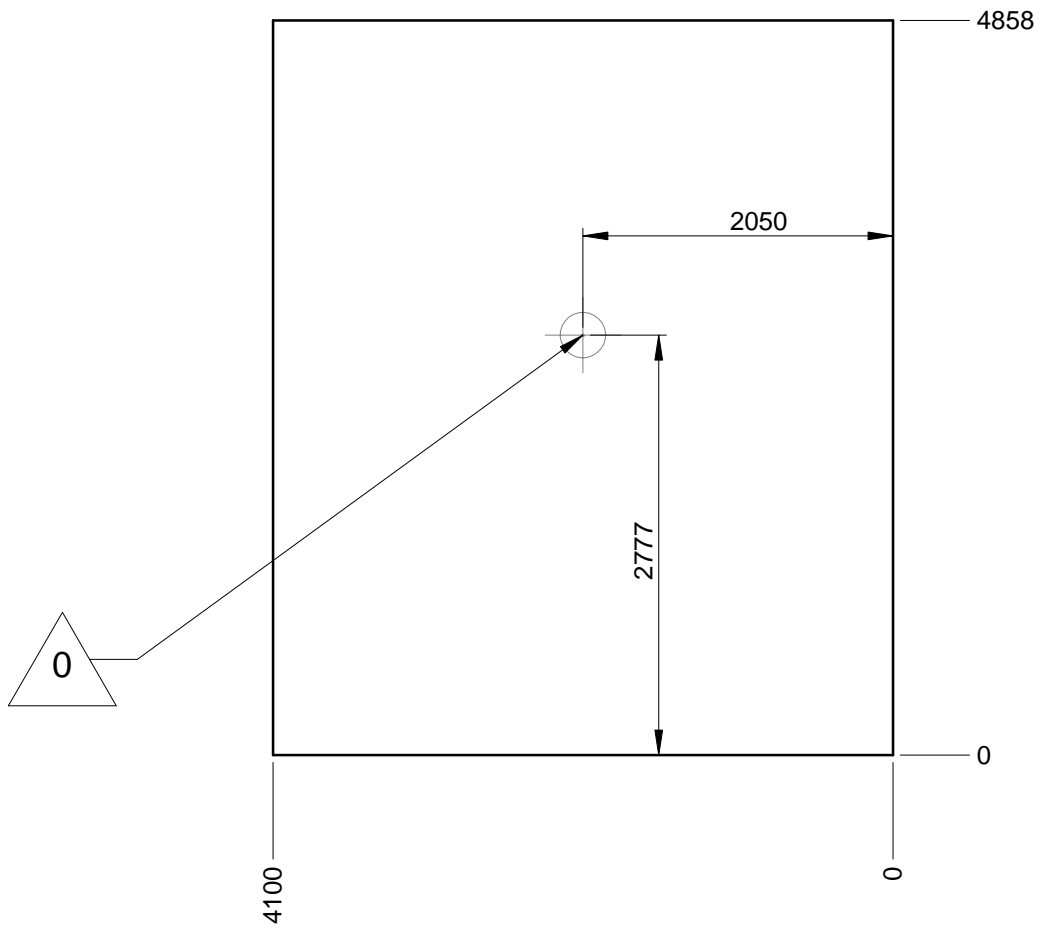


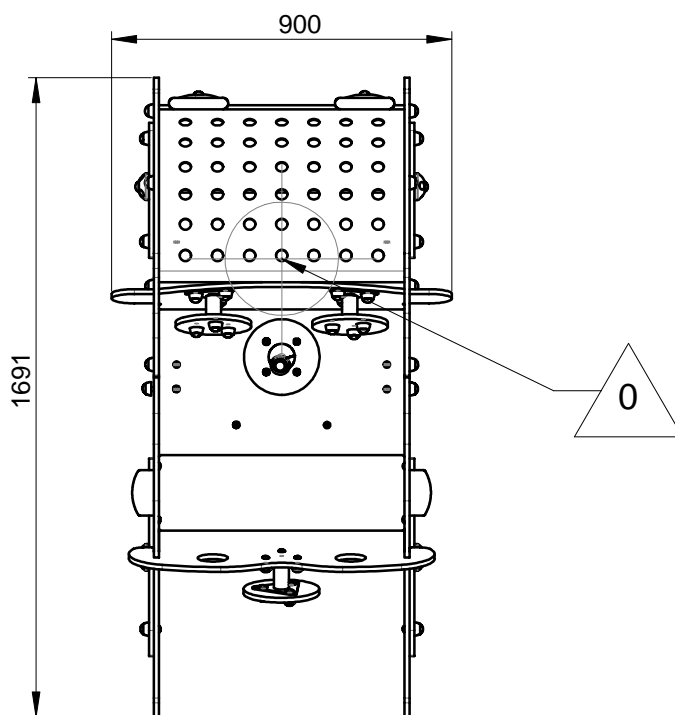
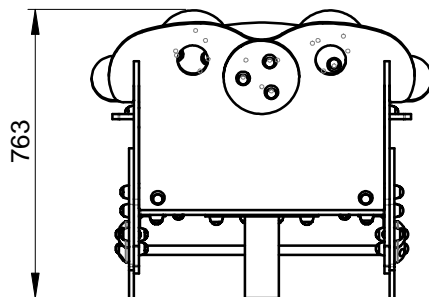
— Dalle béton
Concrete pad
Solera de hormigon
Beton Bodenplatte
Betonnen bodemplaat

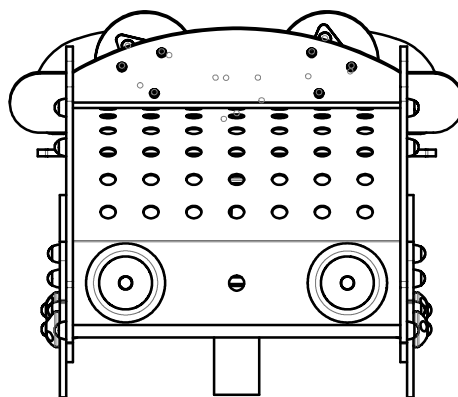
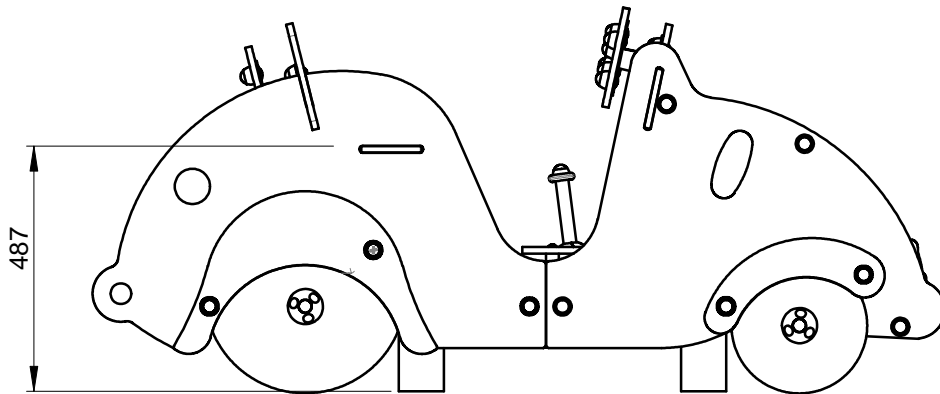
17 m
18 m²



— Sol fluent
Loos partucule material 19 m
Arenero
Loses Bodenmaterial 20 m²
Los bodemateriaal



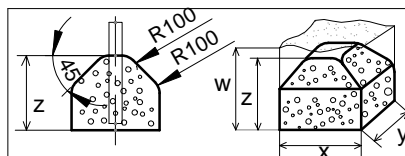
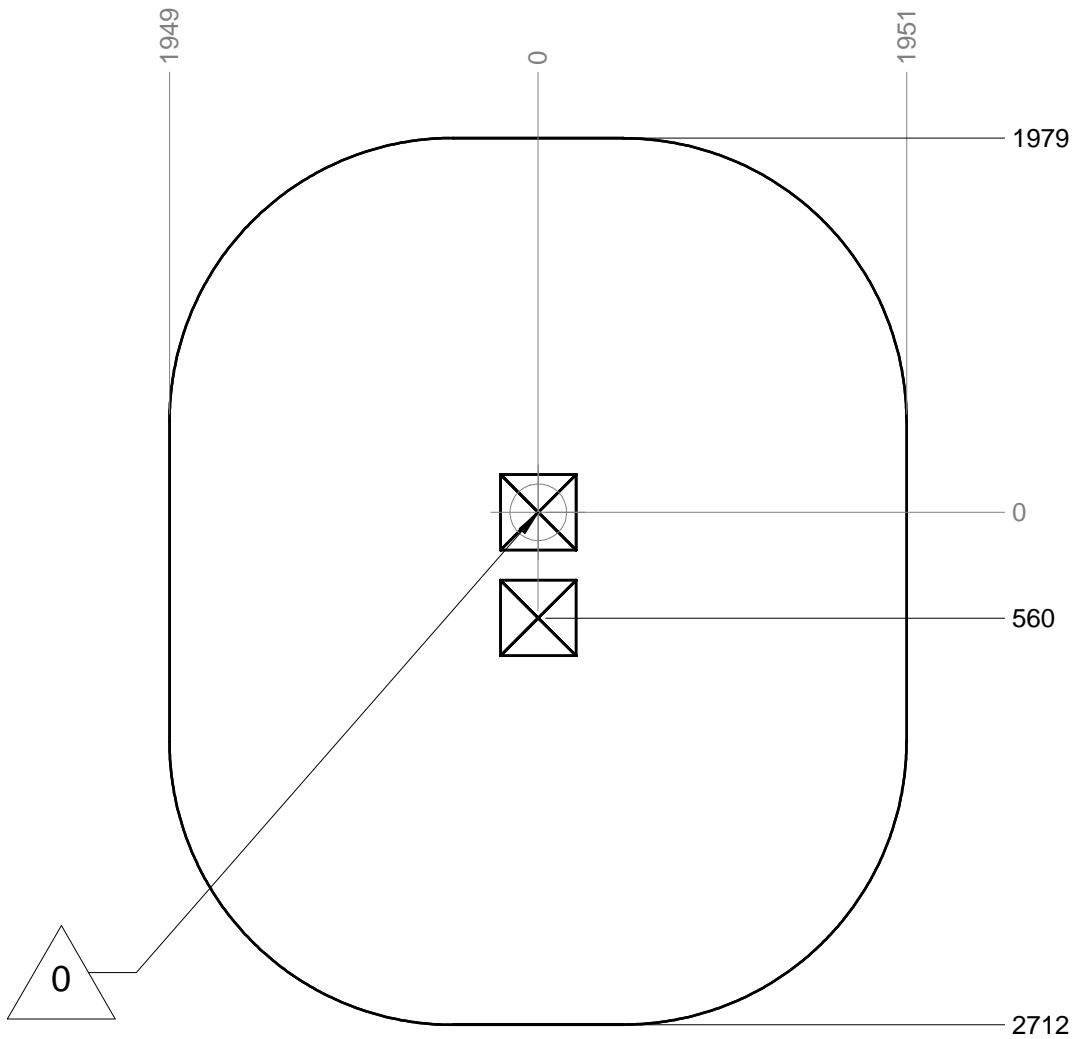




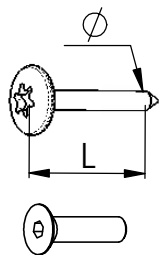
J2611 A

ProLudic

Implantation
 Footing plan
 Implantación
 Fundamentplan
 Funderingstekening



	x	y	z	w
	0.3	0.3	0.3	0.6
	0.4	0.4	0.3	0.6
	0.6	0.3	0.3	0.6



VBT 6 x 30
 \varnothing L (mm)

VFHC



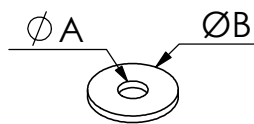
VEC M10
 \varnothing



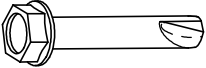
VEF




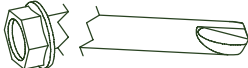
VEB



VR6x18
 $\varnothing A$ $\varnothing B$

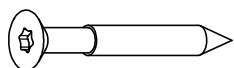


VTHA

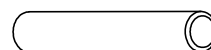



1000 - 1800 RPM
 Vitesse de rotation
 Rotation speed

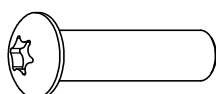
< 14 N.m
 Couple de rupture
 Breakage torque



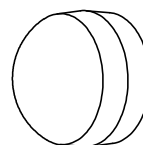
VWT



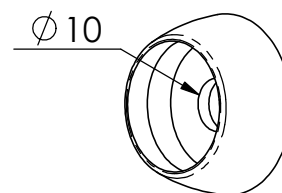
VGC



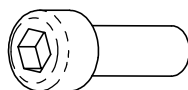
VCBHC



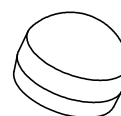
M10 440N



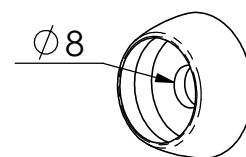
M10 310 N



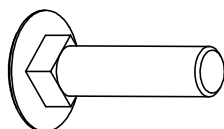
VBTR



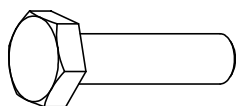
M8440N



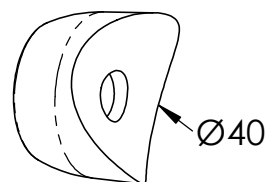
M8310N



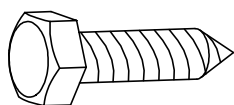
VTRCC



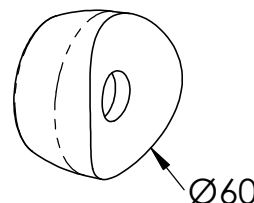
VTH



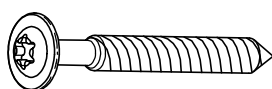
MI2503



VTF



MI2701



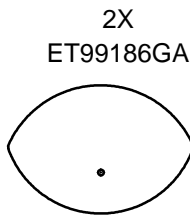
VBT

J2611 A

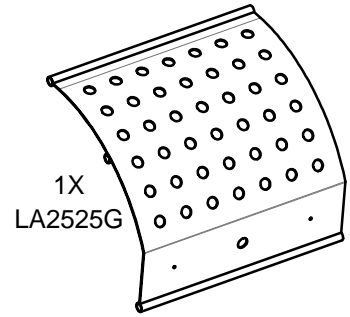
ProLudic



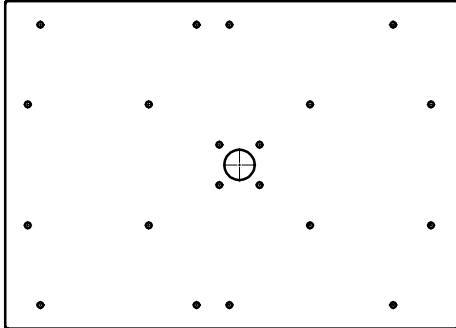
1X
FT99192



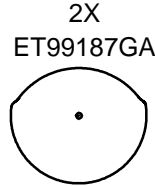
2X
ET99186GA



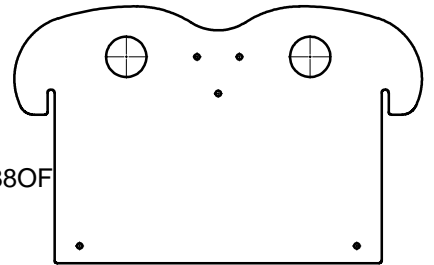
1X
LA2525G



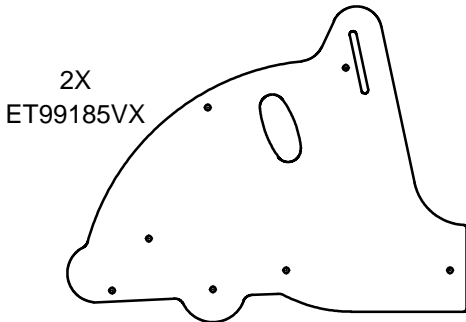
1X
FT99193



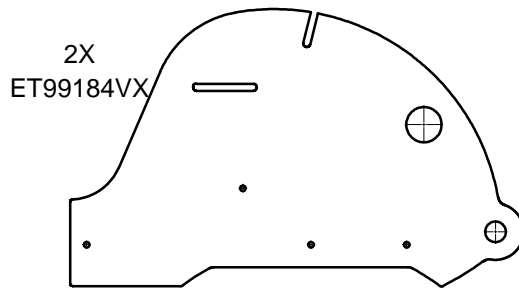
2X
ET99187GA



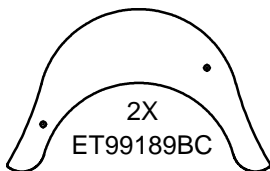
1X
ET99188OF



2X
ET99185VX



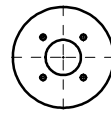
2X
ET99184VX



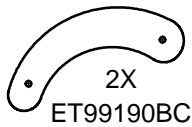
2X
ET99189BC



3X
U9901



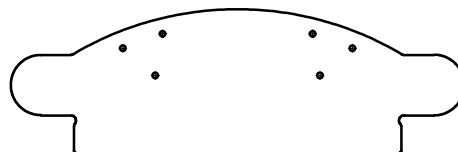
1X
ET4030VX



2X
ET99190BC



4X
MI323J



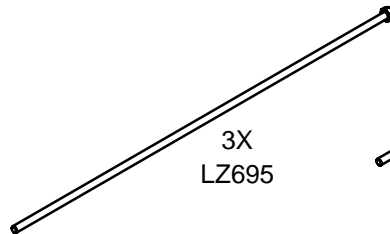
1X
ET99191BC



2X
MI025O



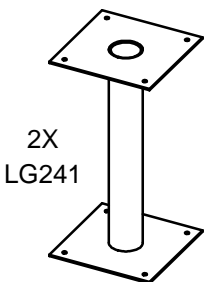
10X
P13



3X
LZ695



1X
LZ265



2X
LG241



1X
MU902



1X
MU2603

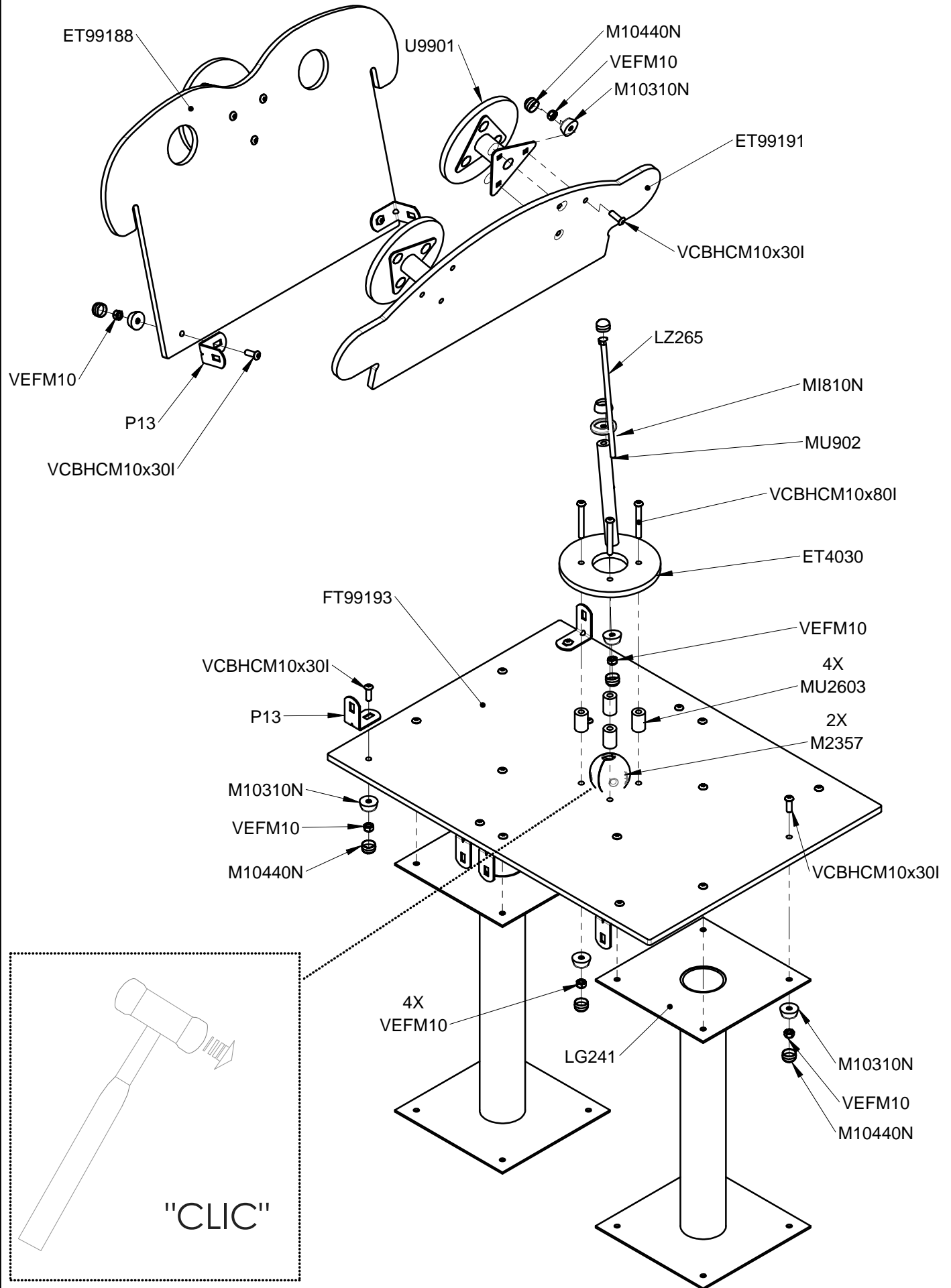


1X
MI810N

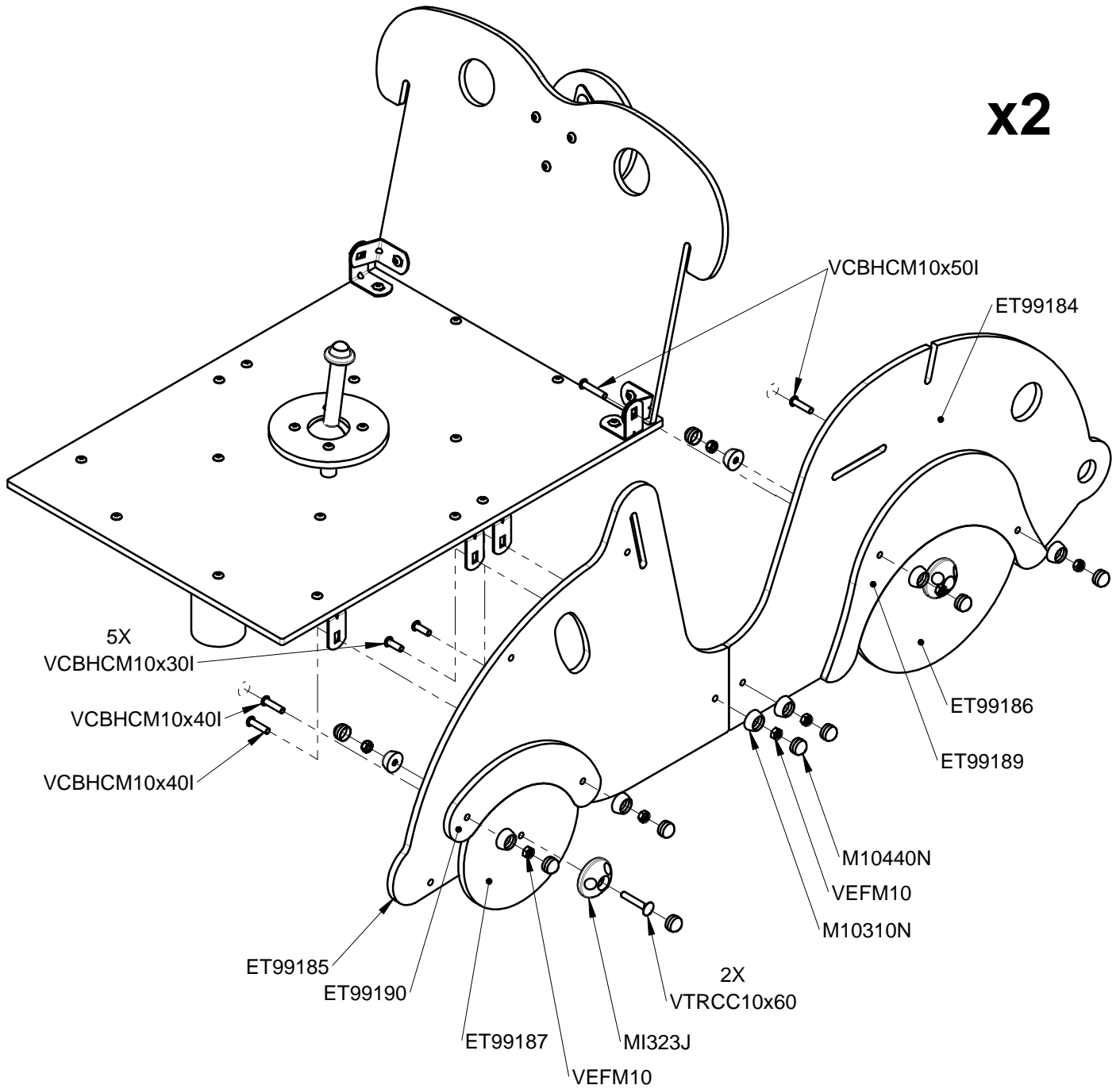


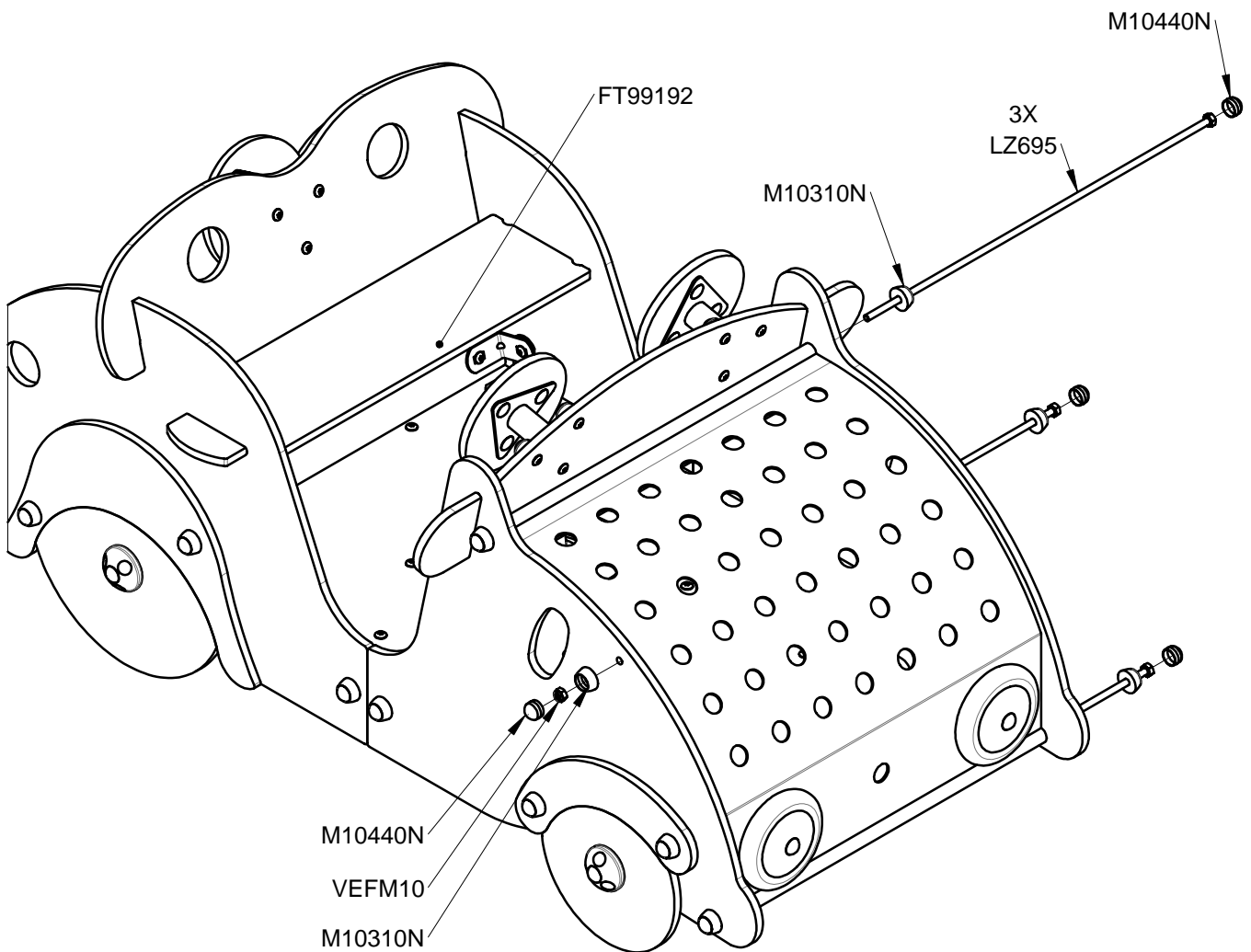
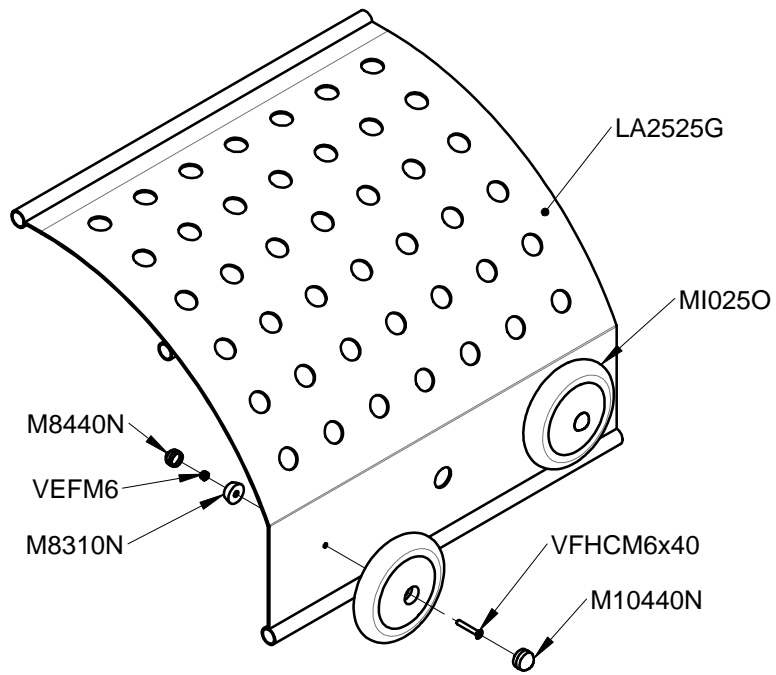
2X
M2357VX

Réf	Qté
ET4030VX	1
ET99184VX	2
ET99185VX	2
ET99186GA	2
ET99187GA	2
ET99188OF	1
ET99189BC	2
ET99190BC	2
ET99191BC	1
FT99192	1
FT99193	1
LA2525G	1
LG241	2
LZ265	1
LZ695	3
M2357VX	2
M8310N	2
M8440N	2
M10310N	55
M10440N	61
MI025O	2
MI323J	4
MI810N	1
MU902	1
MU2603	4
P13	10
U9901	3
VCBHCM10x30I	31
VCBHCM10x40I	6
VCBHCM10x50I	2
VCBHCM10x80I	4
VEFM6	2
VEFM10	51
VFHCM6x40	2
VTRCC10x60	4



x2





Réf	Qté
ET4030VX	1
ET99184VX	2
ET99185VX	2
ET99186GA	2
ET99187GA	2
ET99188OF	1
ET99189BC	2
ET99190BC	2
ET99191BC	1
FT99192	1
FT99193	1
LA2525G	1
LG241	2
LZ265	1
LZ695	3
M2357VX	2
M8310N	2
M8440N	2
M10310N	55
M10440N	61
MI025O	2
MI323J	4
MI810N	1
MU902	1
MU2603	4
P13	10
U9901	3
VCBHCM10x30I	31
VCBHCM10x40I	6
VCBHCM10x50I	2
VCBHCM10x80I	4
VEFM6	2
VEFM10	51
VFHCM6x40	2
VTRCC10x60	4

