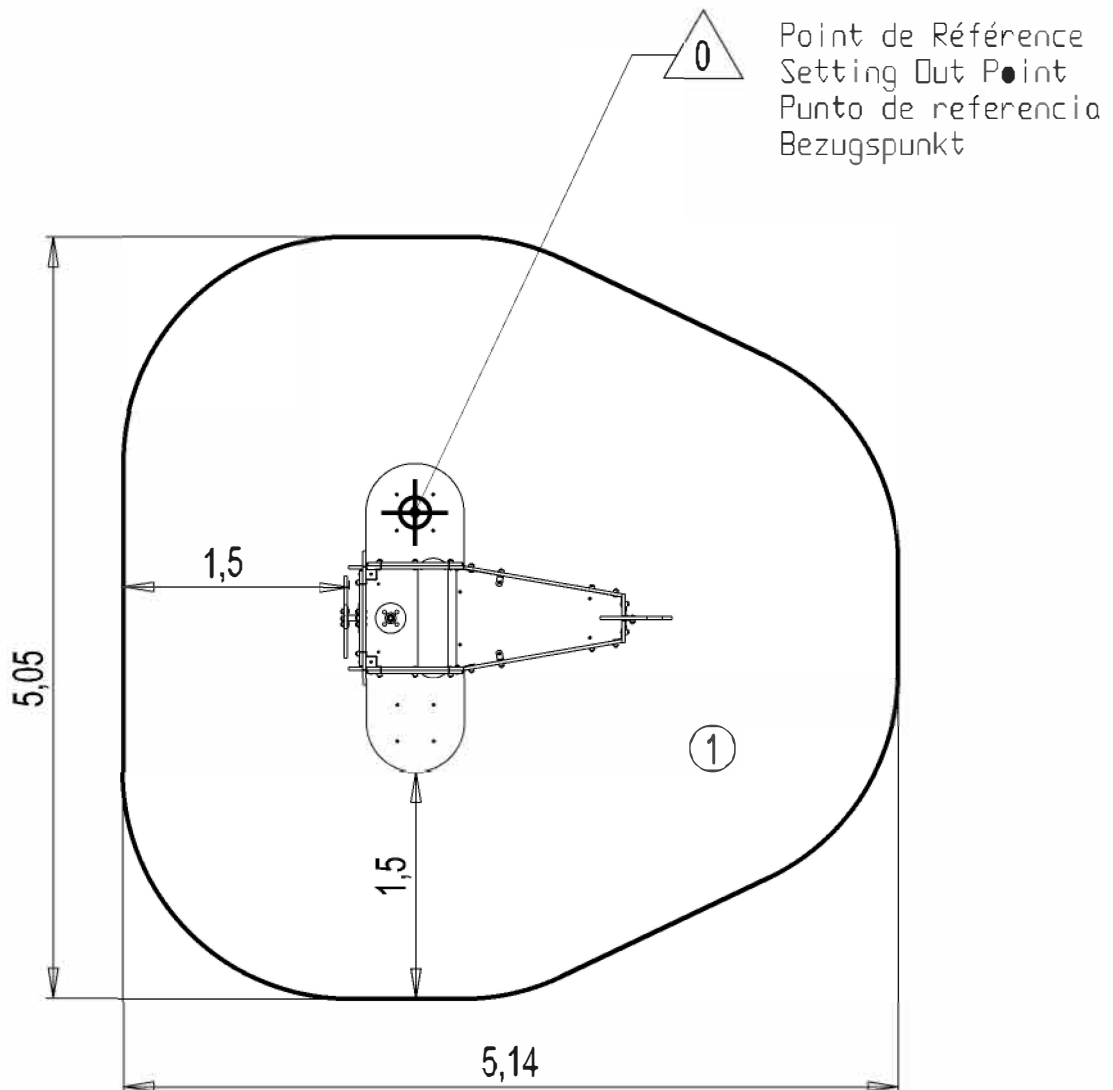


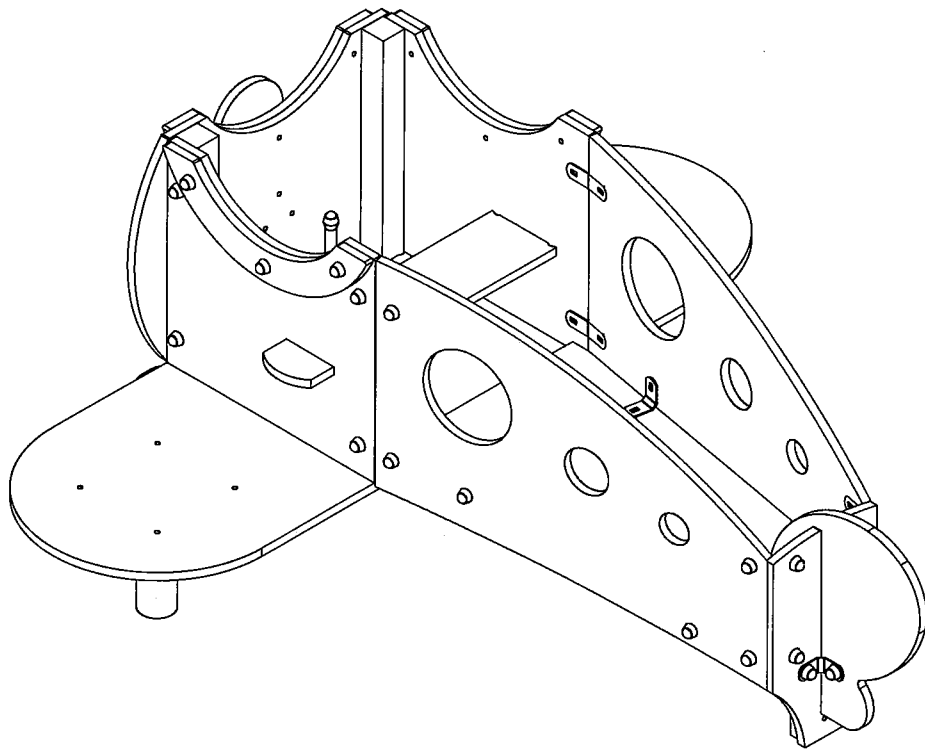
N°		
①	0.6 m	22 m ²

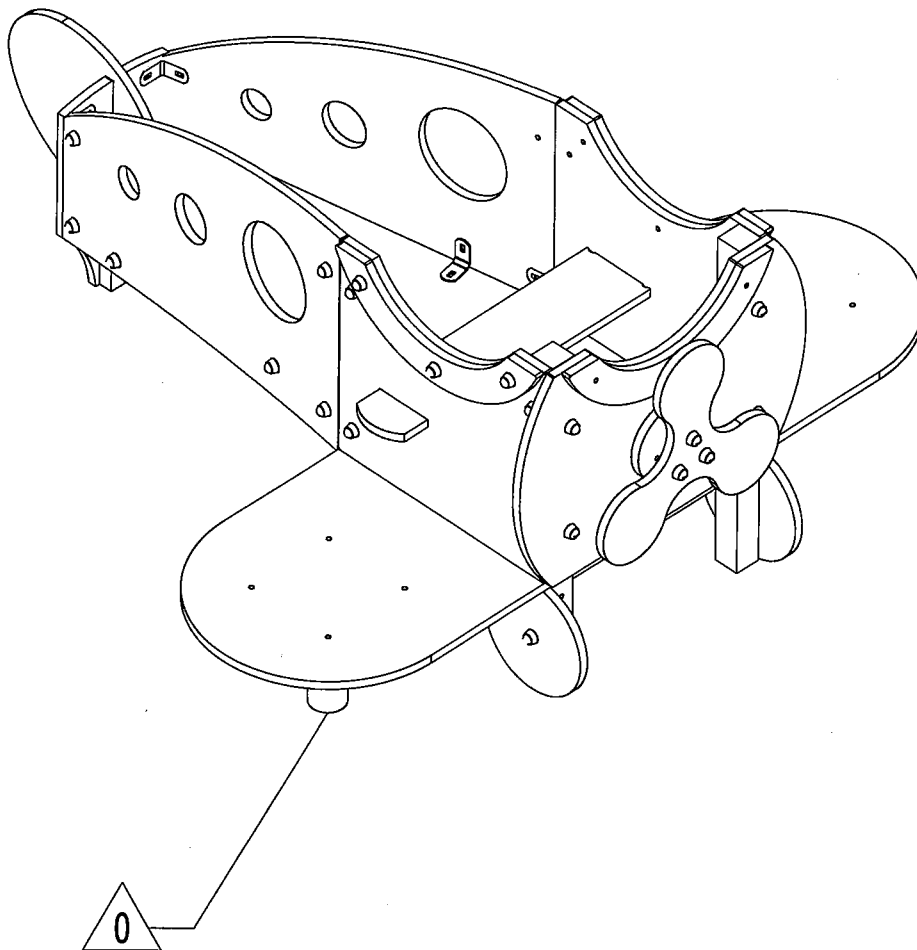
Zone d'Impact
 Impact Area
 Area de Impacto
 Fallraum

EN 1176-1: 2017

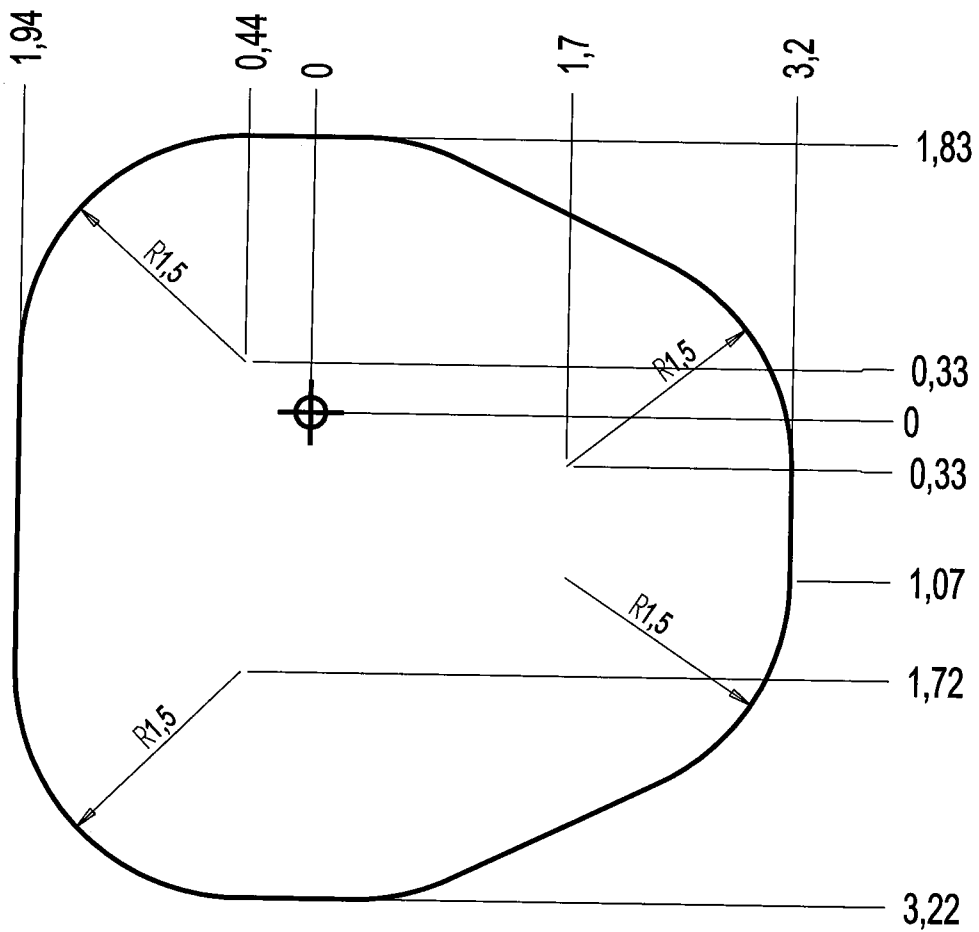
Espace libre
 Free Space
 Espacio Libre
 Freiraum



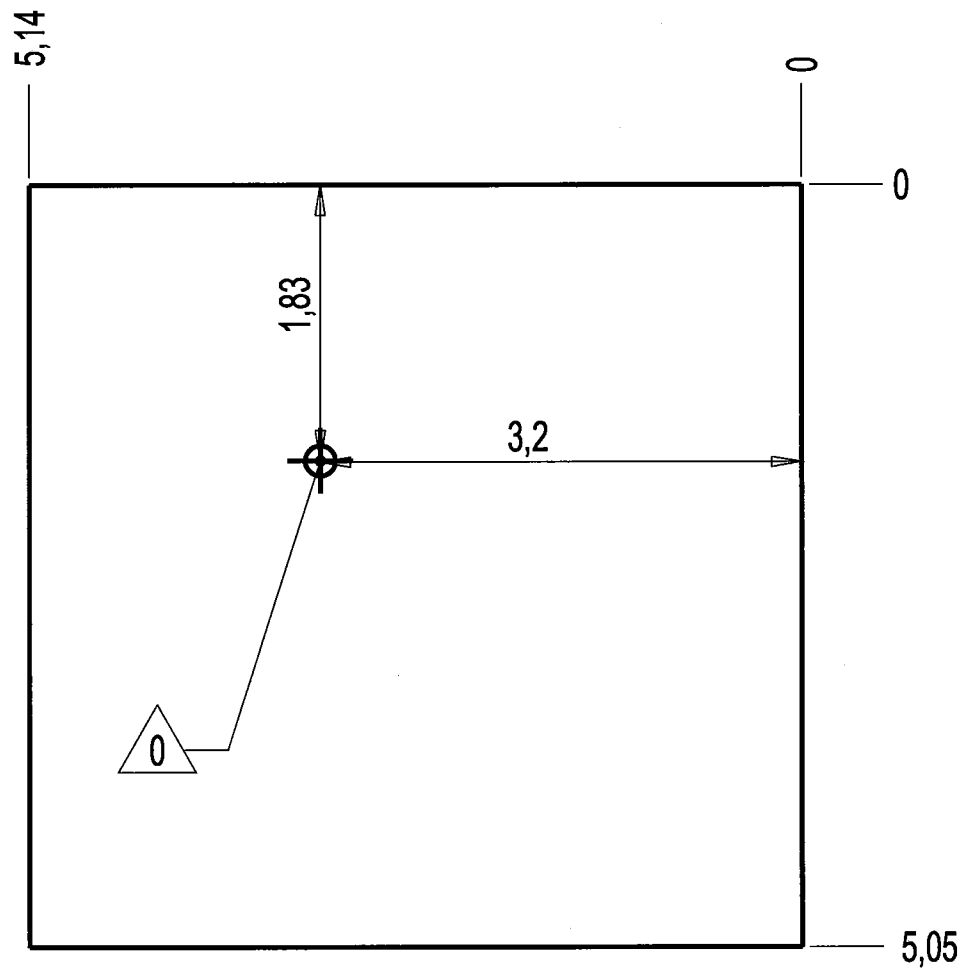




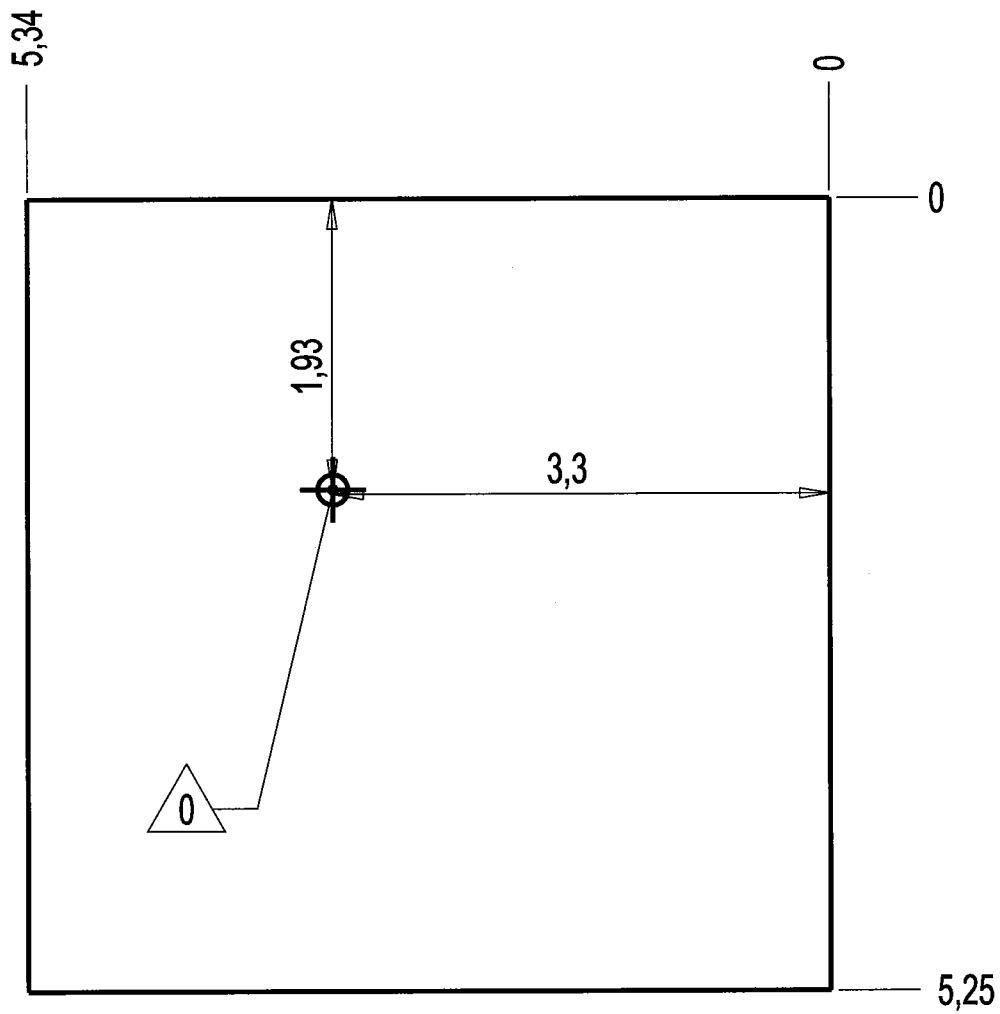
— Zone d'Impact 22 m²
Impact Area
Area de Impacto
Fallraum



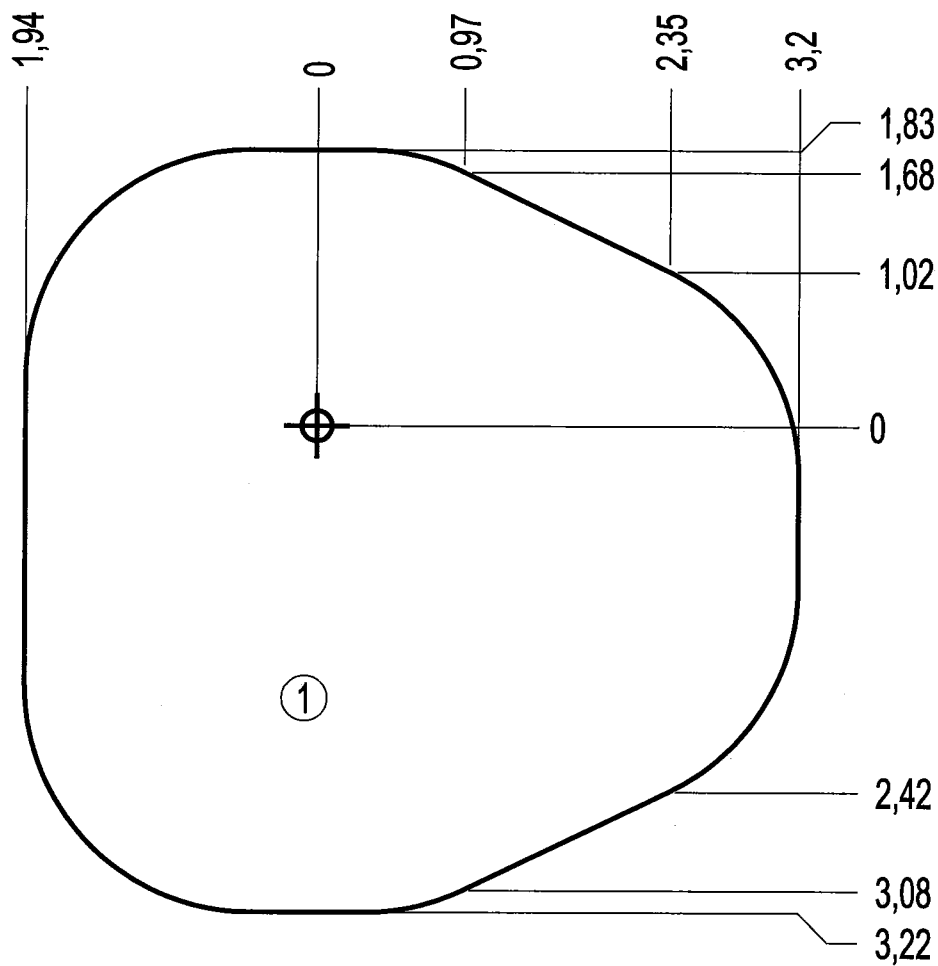
— Dalle béton 21 m
Concrete pad 26 m²
Solera de Hormigón
Beton Bodenplatte



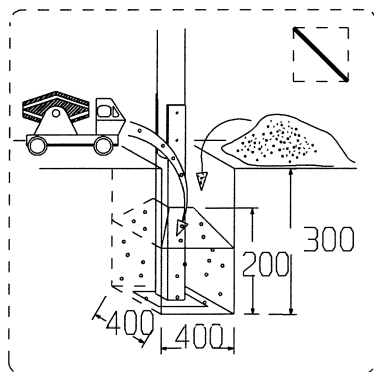
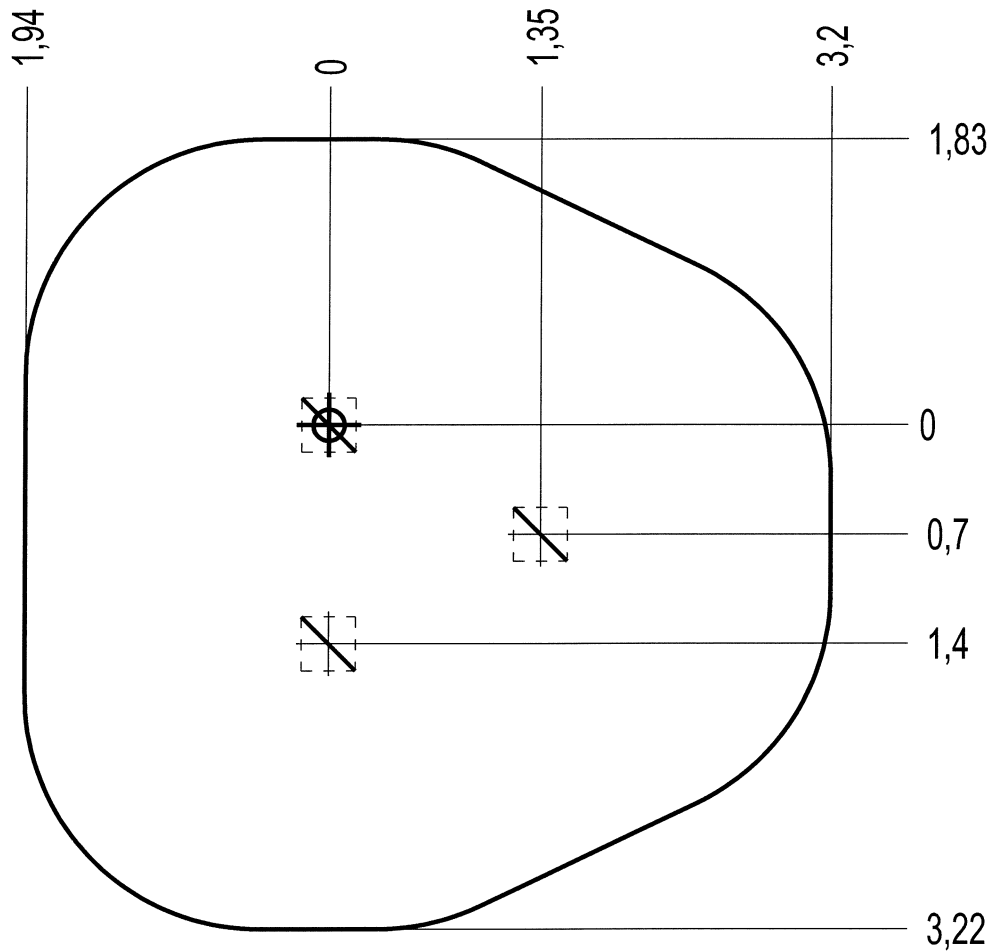
- Sol fluent 22 m
- Loose particle material 29 m²
- Arenero
- Loses Bodennmaterial






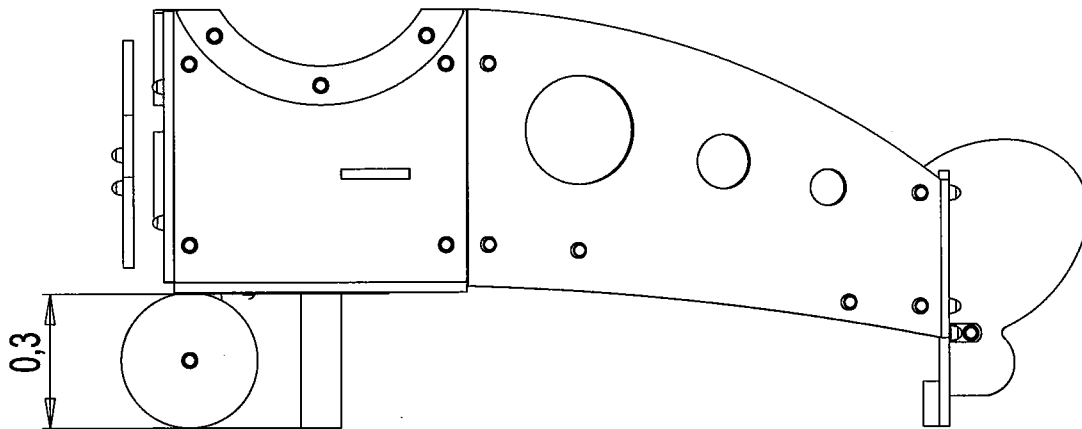
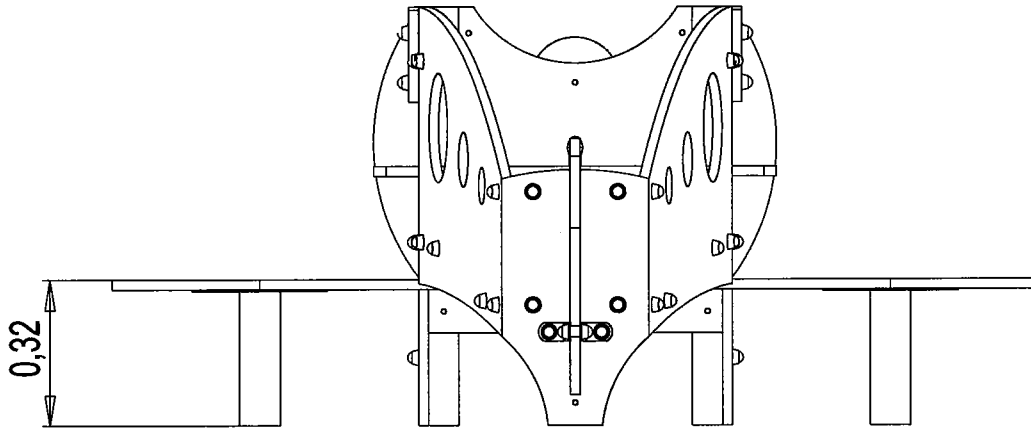
— Sol souple 22 m²
Wetpour
Caucho Continuo
Synthetischer Fallschutz



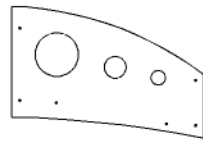
Implantation
 Footing plan
 Implantación
 Fundamentplan



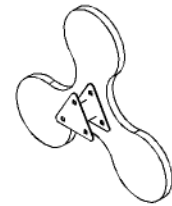
 x2	 3H45	 0.1m ³
---	--	---



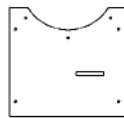
E2701 J x 2



U 2612 X 1



E2708 J x 2



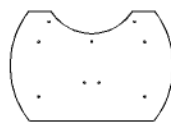
E4802 N x 2



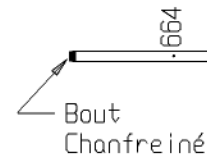
D2602 x 1
Lg 640



E 2703 J x 1



B2602 x 2
Lg 925



E2657 VJ x 1



M2357VX x 2

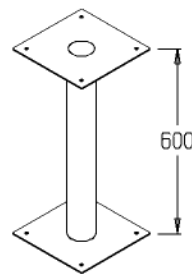


E2707 BF x 3



LG 241 X 2

E 2705 R x 1



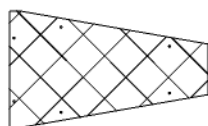
E 2704 J x 1



E 751 R x 1



FT 2712 x 1



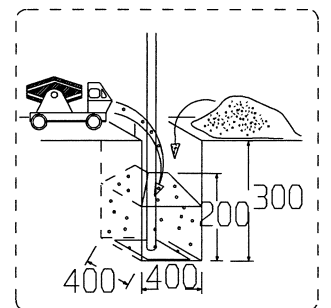
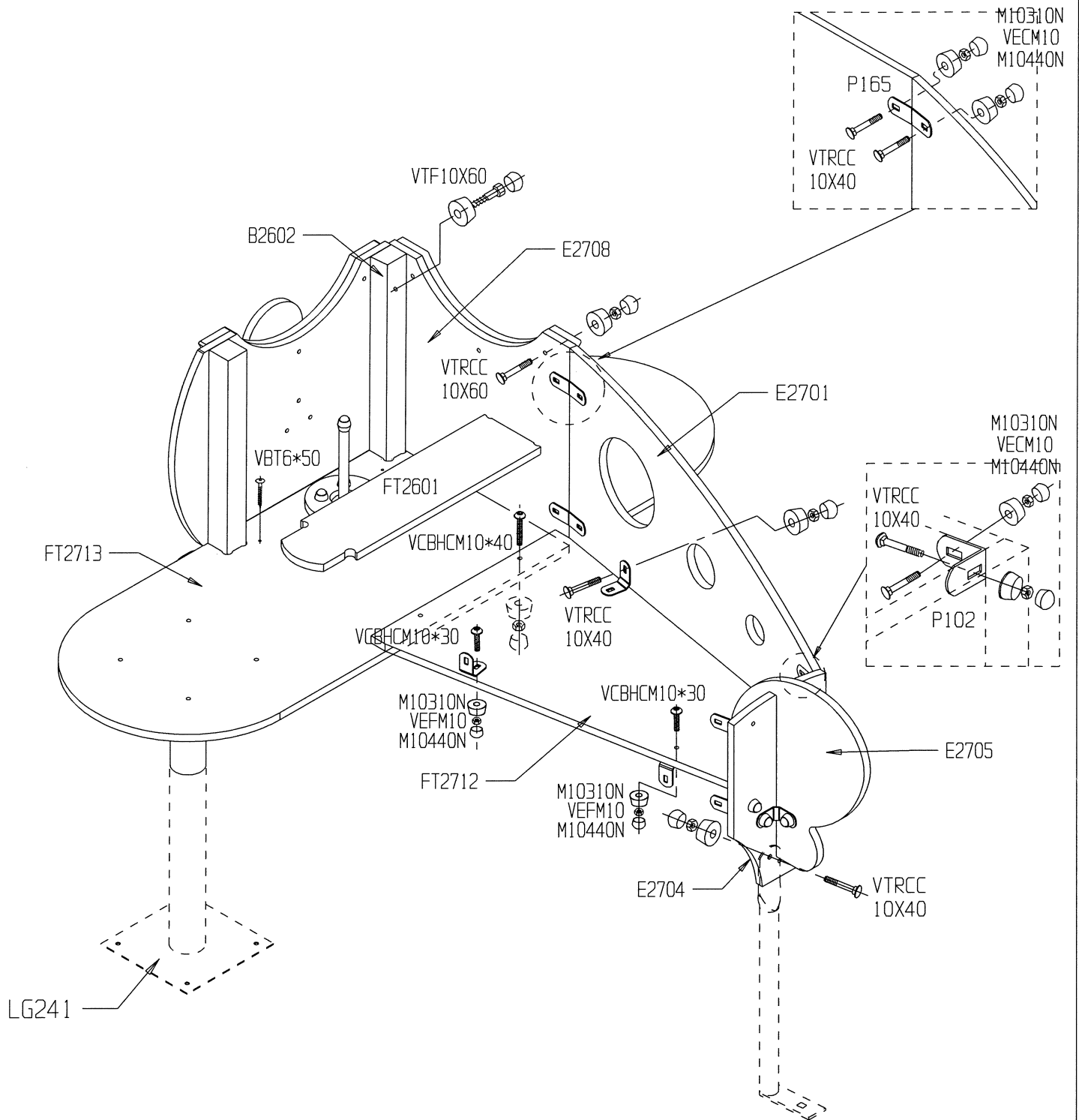
FT 2601 x 1

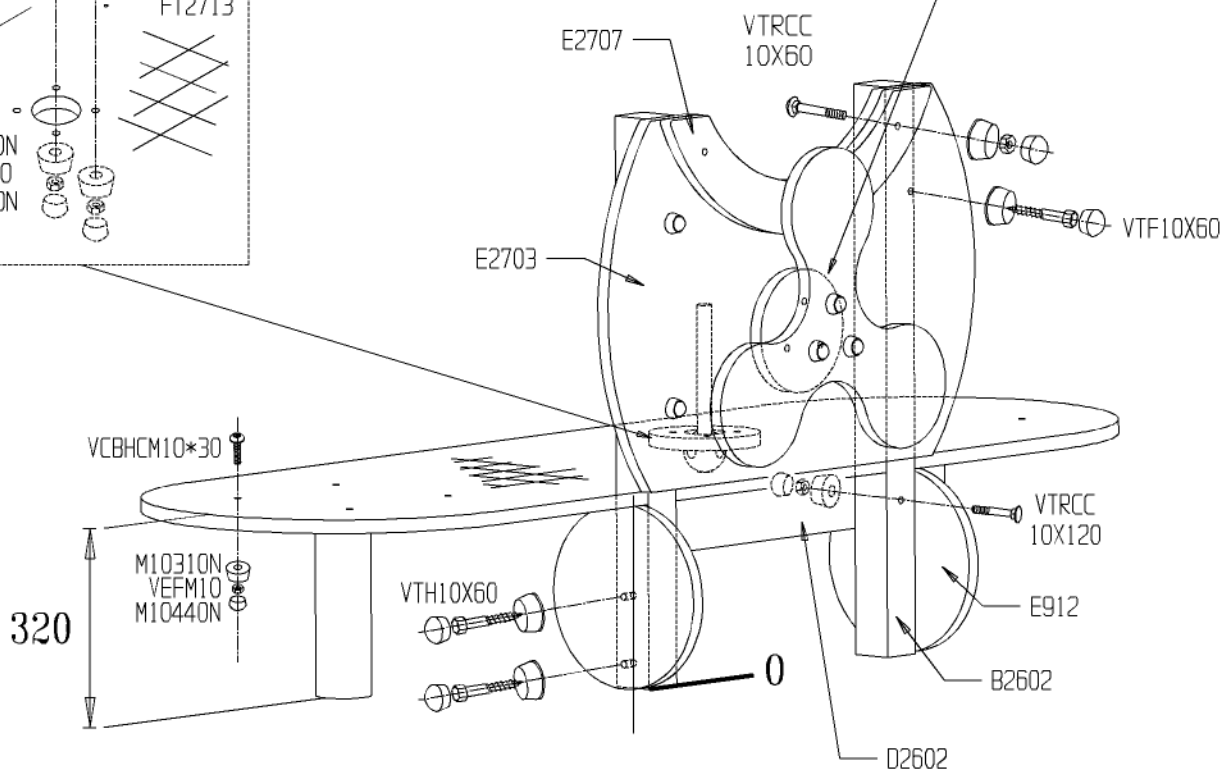
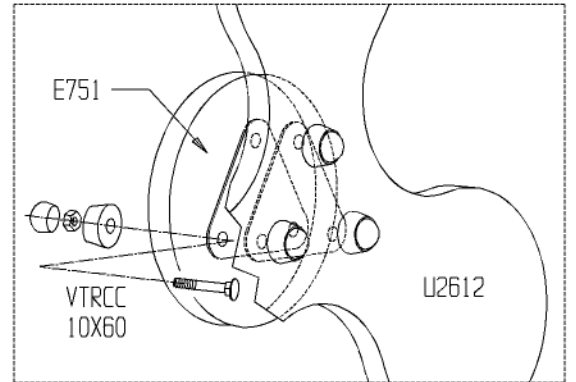
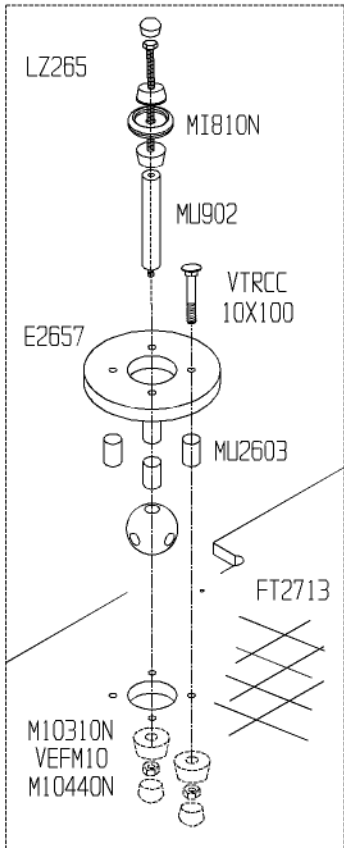
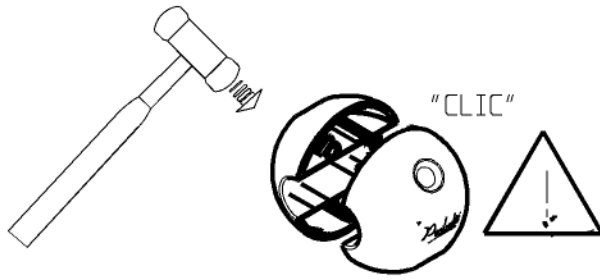


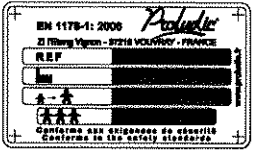
FT 2713 x 1



	VCBHCM10*40	2
	VCBHCM10*30	12
	VTF 10x60	12
	VTRCC10x40	20
	VTRCC10x60	12
	VTRCC10x100	4
	VTRCC10x120	2
	VBT 6x50	2
	M10310N	73
	M10440N	71
	VEFM10	20
	VECM10	40
	90° 70 mm :P13	6
	70 mm 165° :P165	4
	70 mm 102° :P102	4
	Lz 255	1
	(lg 226 ⇄) MU 902	1
	∅ 25 lg 40 MU 2603	4

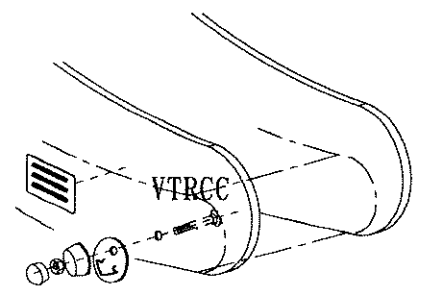
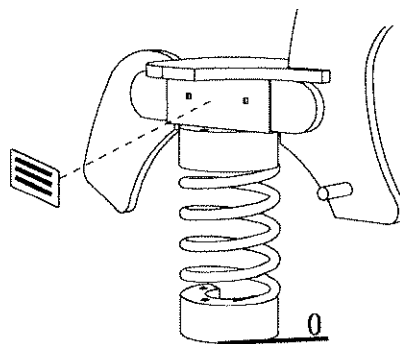
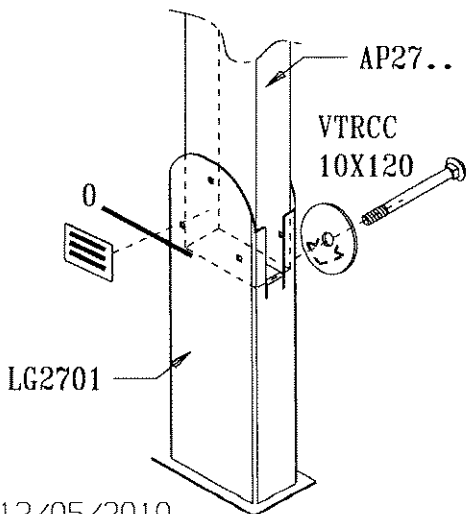
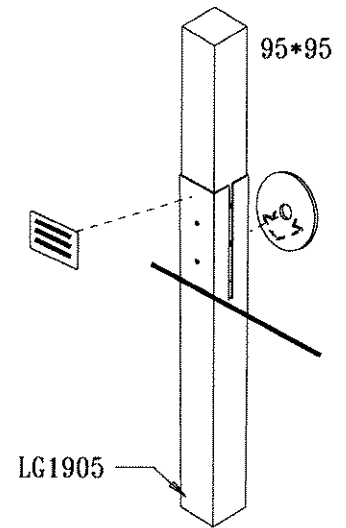
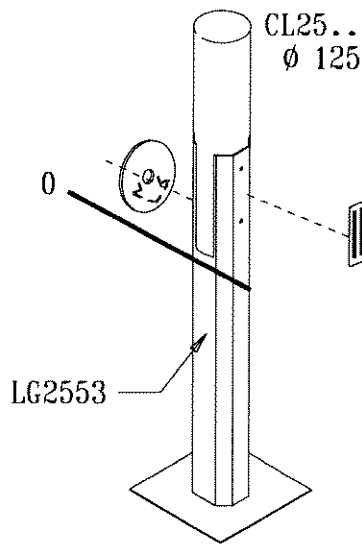
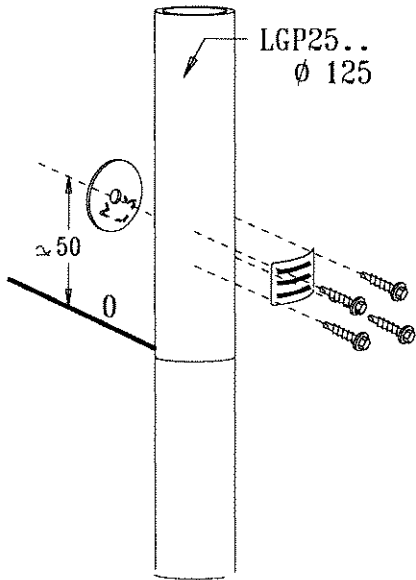
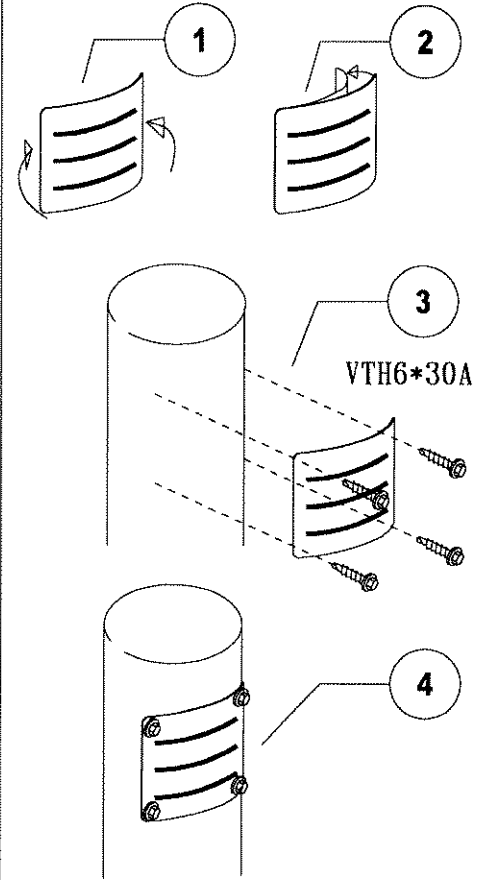
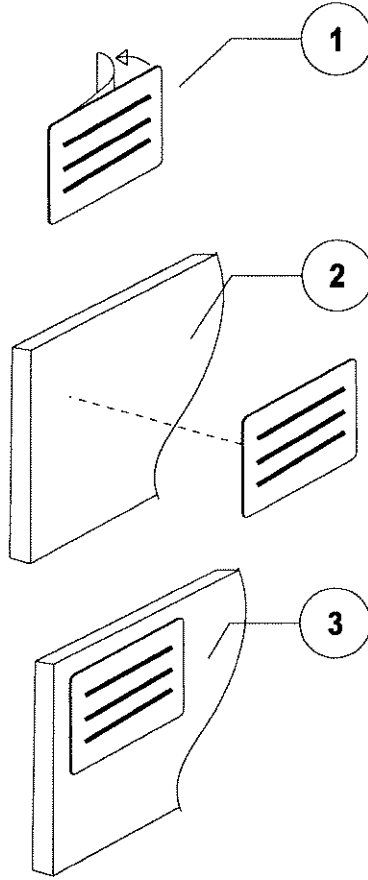
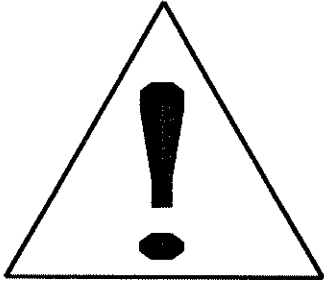


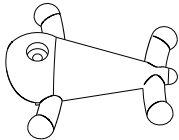
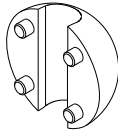
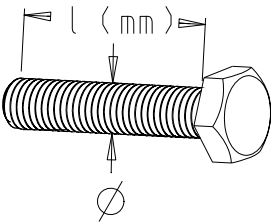
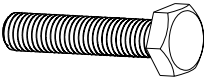

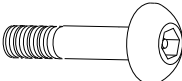
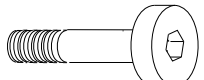
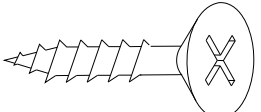
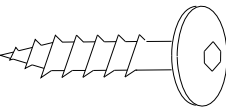
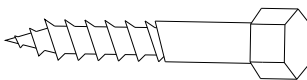
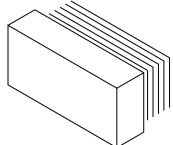
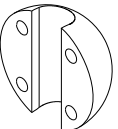
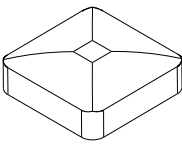
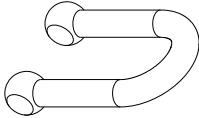
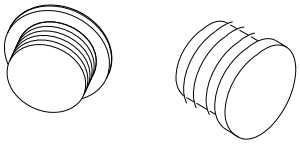
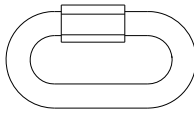
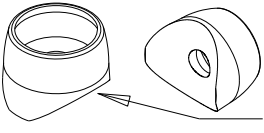
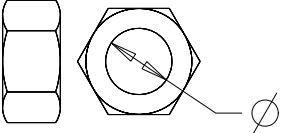
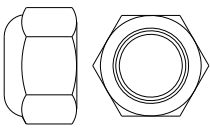
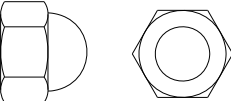
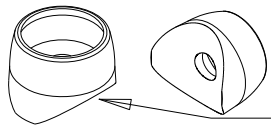
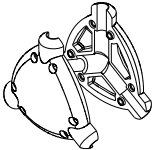

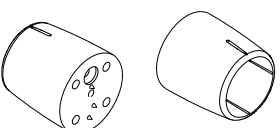




LA000

MI0002



	MI100VJ		MI6A	 <p>VTH 10 x 120</p> <p>Ø</p> <p>l (mm)</p>  <p>VTH</p>  <p>VTRCC</p>  <p>VCBHC</p>  <p>VBTR</p>  <p>VWT</p>  <p>VBT</p>  <p>VTF</p>
	M4080		MI6B	
	MI0001N		RMANI06	
	M42		RMARA06	
	MI2503 Ø 40	 <p>VECMØ nut</p>  <p>VEFMØ locknut</p>  <p>VEBMØ blind nut</p>		
	MI2701 Ø 60			
	MI28N			
	MI323J			
	MI5C			