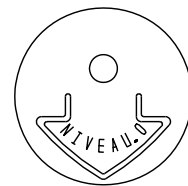


LA000



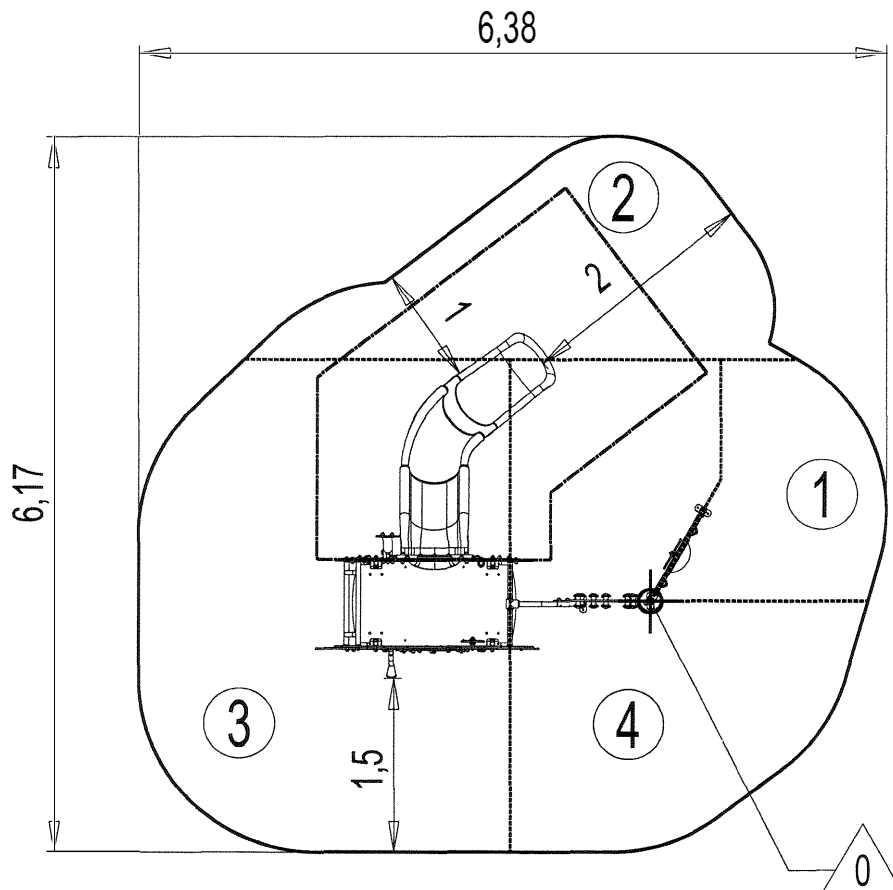
MI0002

N°		
①	0.6 m	3 m ²
②	1 m	5.5 m ²
③	1.17 m	12.5 m ²
④	1.8 m	9 m ²

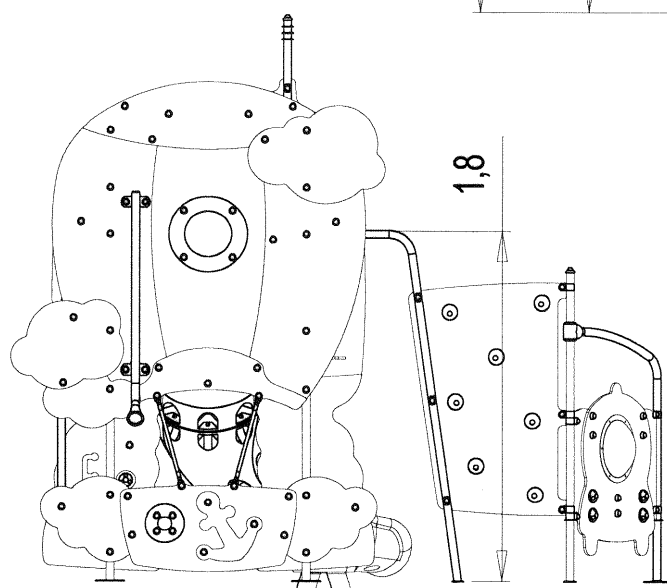
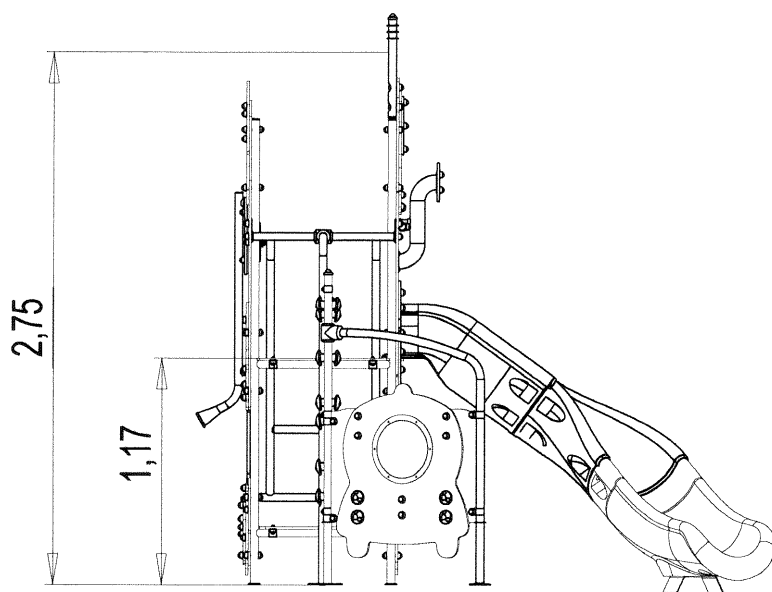
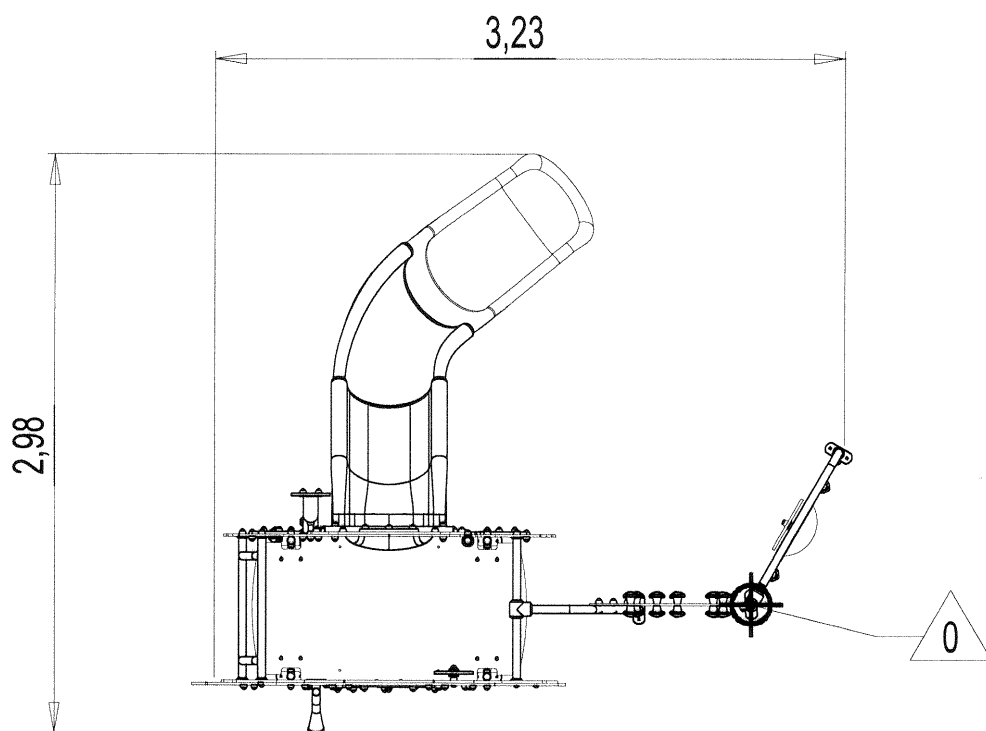
Zone d'Impact
 Impact Area
 Area de Impacto
 Fallraum
 Valzone

EN 1176-1 : 2017
 EN 1176-3 : 2017

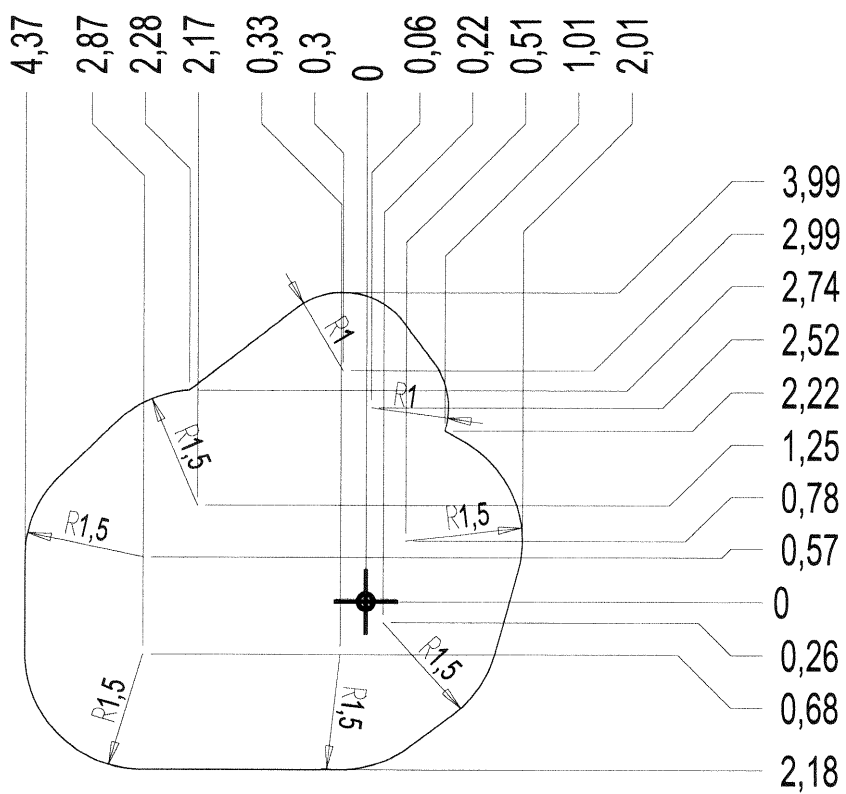
Espace libre
 Free Space
 Espacio Libre
 Freiraum
 Vrije ruimte



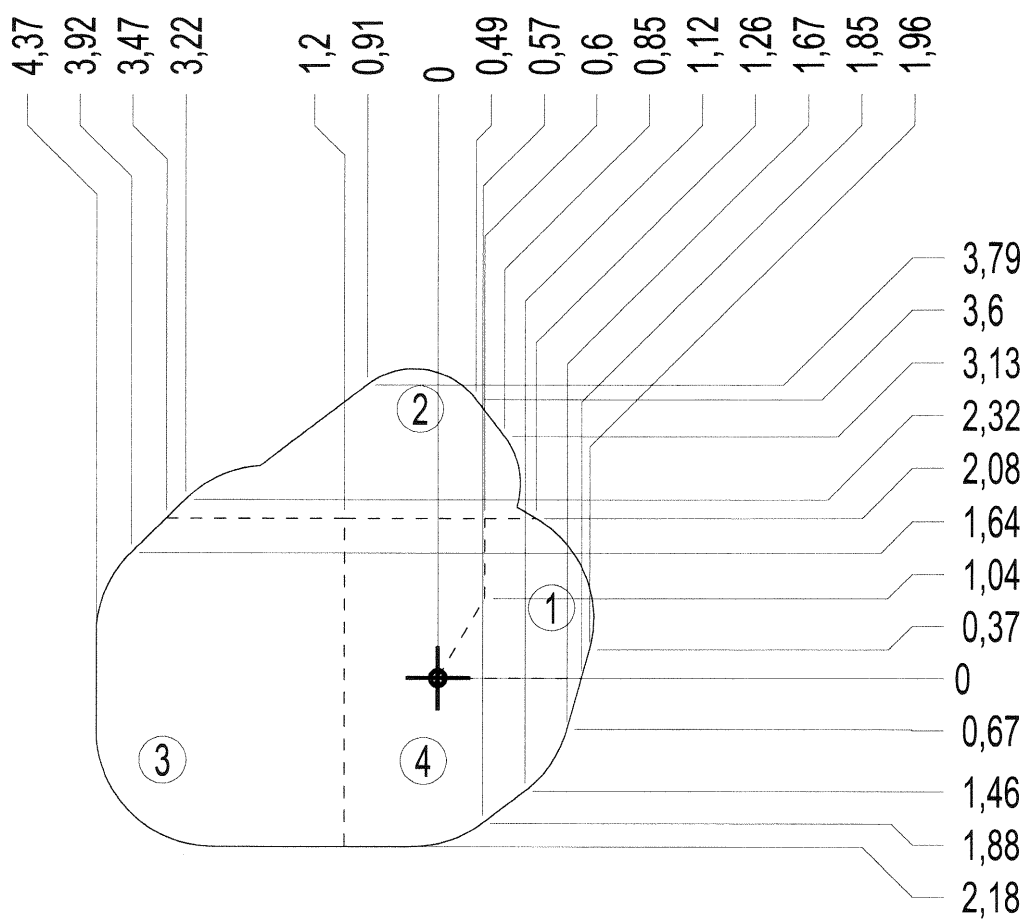
Point de Référence
 Setting Out Point
 Punto de referencia
 Bezugspunkt
 Referentiepunt



— Zone d' Impact 30 m²
 Impact Area
 Area de Impacto
 Fallraum
 Valzone

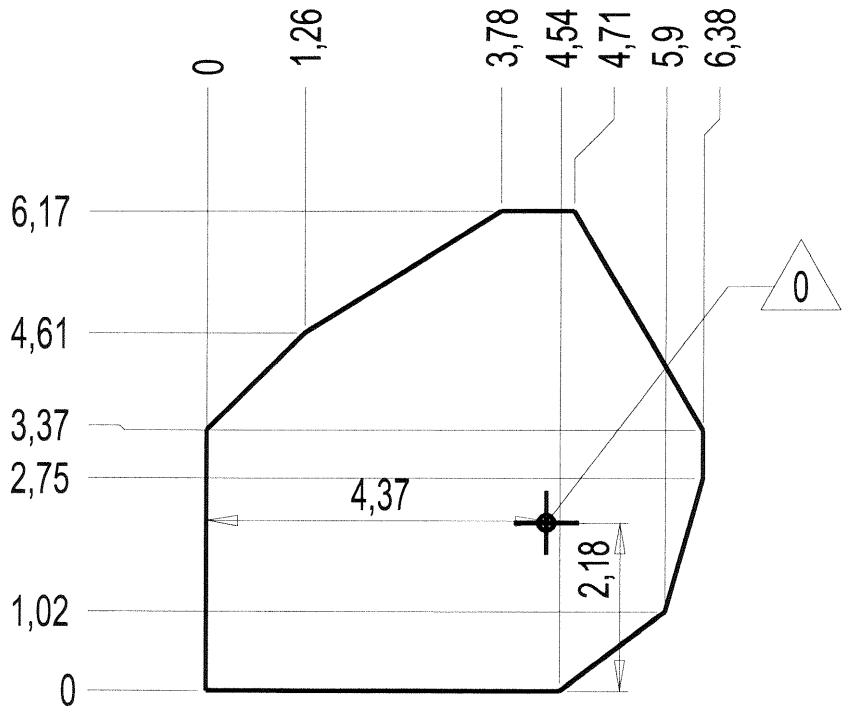


- Sol souple 30 m²
- Wetpour
- Caucho Continuo
- Synthetischer Fallschutz
- Gietvloer



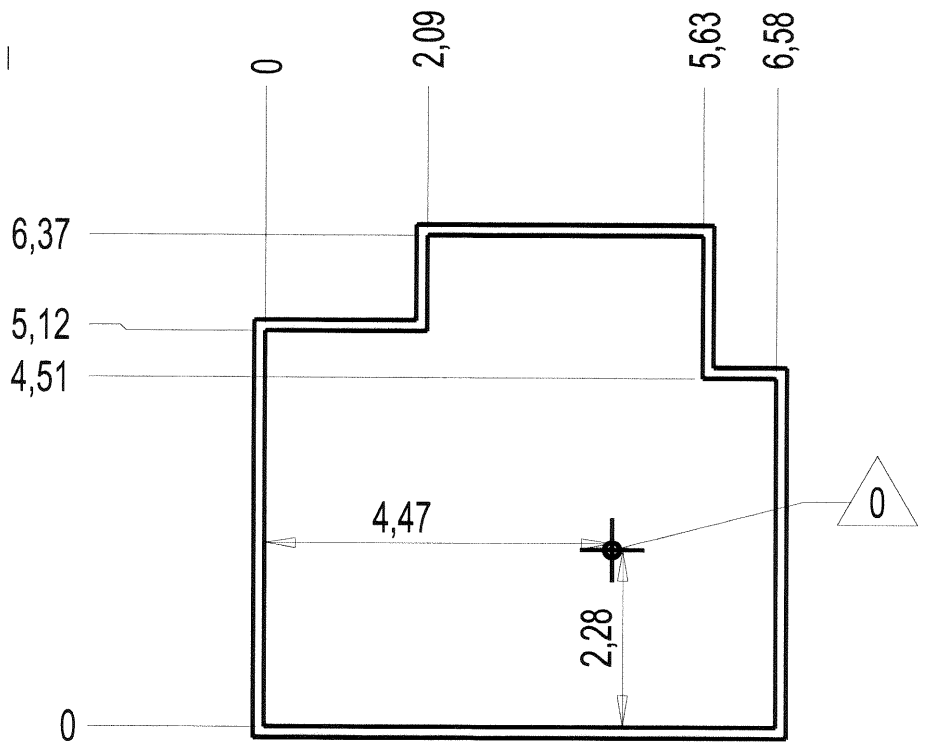
- Dalle béton
- Concrete pad
- Solera de Hornigón
- Beton Bodenplatte
- Betonnen bodenplaat

21 m
31 m²

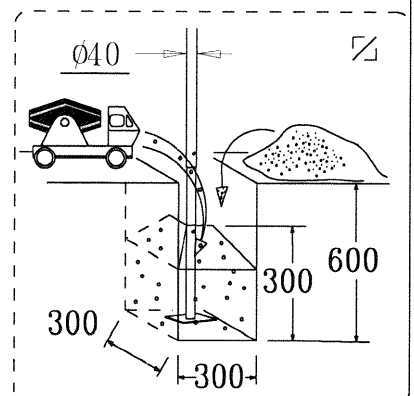
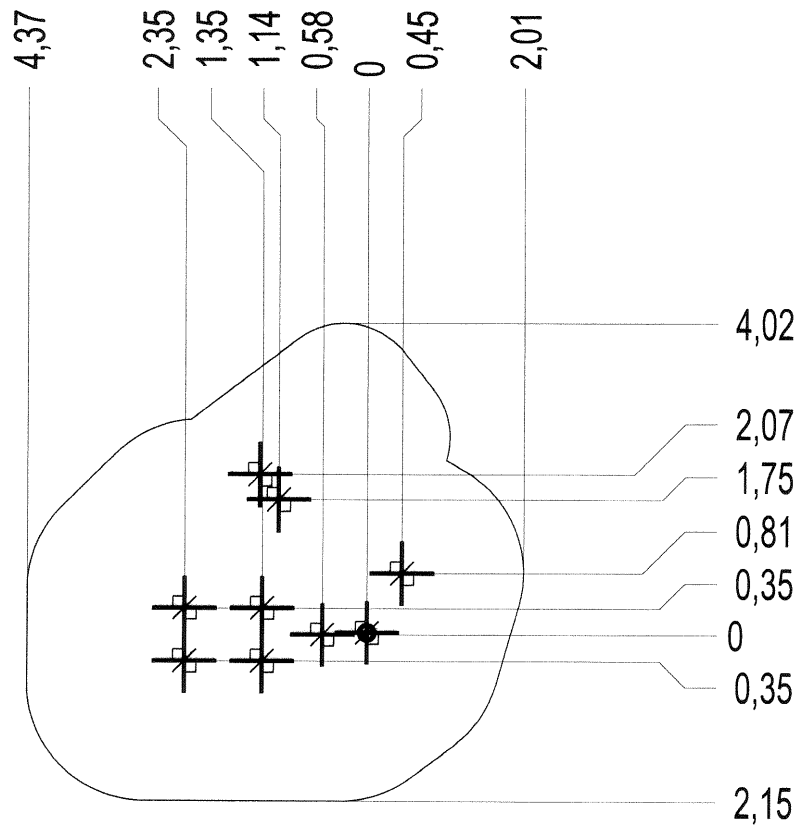


- Sol fluent
- Loose particle material
- Arenero
- Loses Bodenmaterial
- Los bodenmateriaal

27 m
38 m²

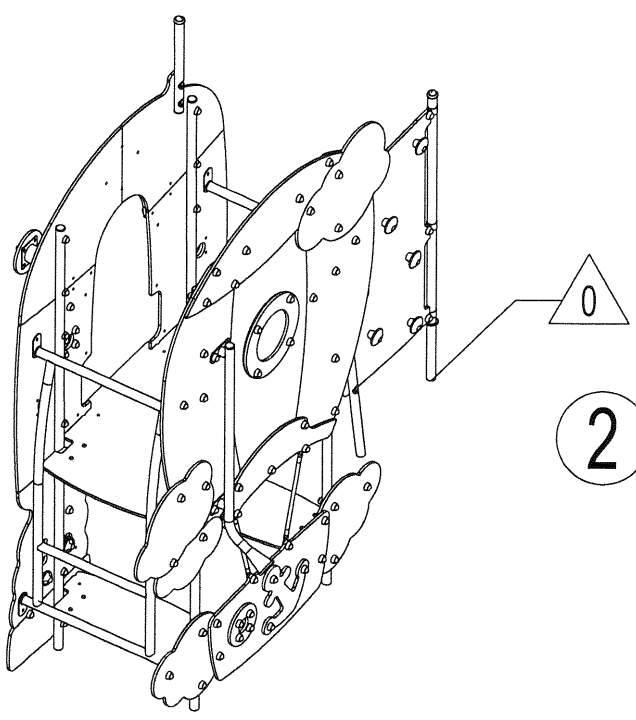


Implantation
 Footing plan
 Implantación
 Fundamentplan
 Funderingstekening

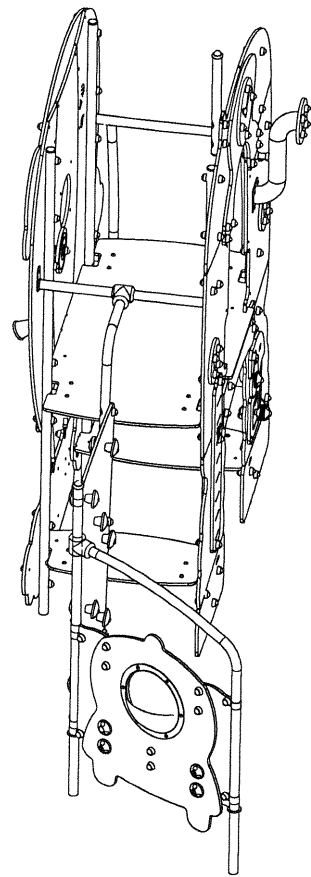


x2	6H	0.3m ³
----	----	-------------------

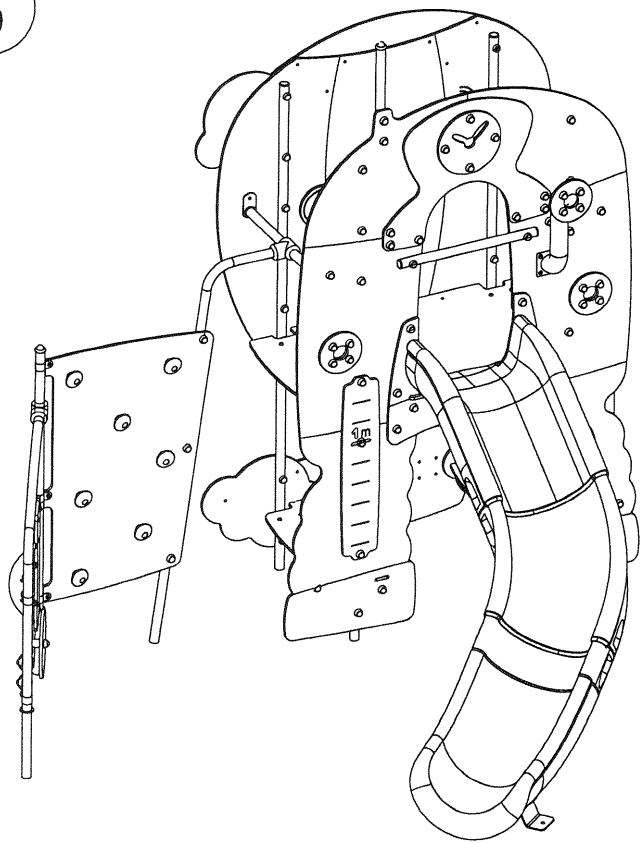
1

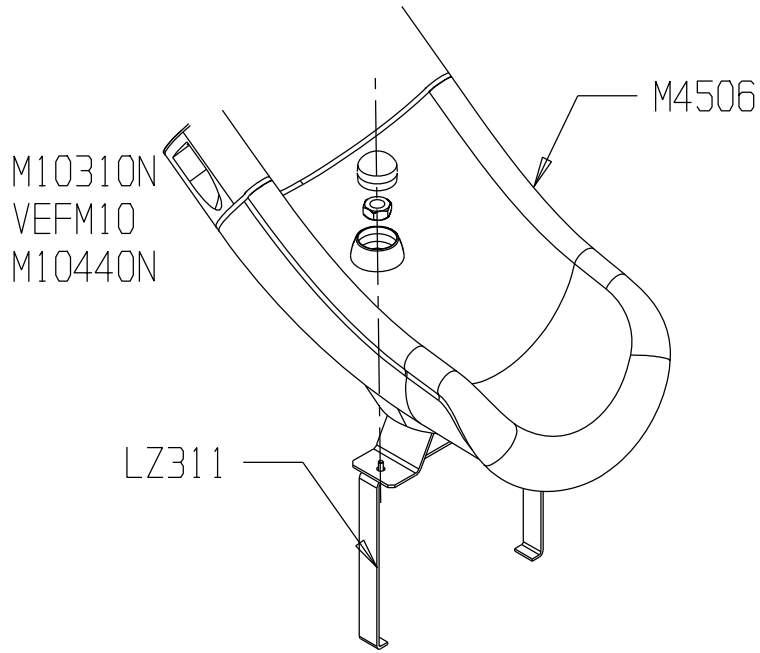


2

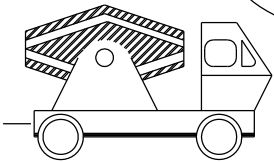
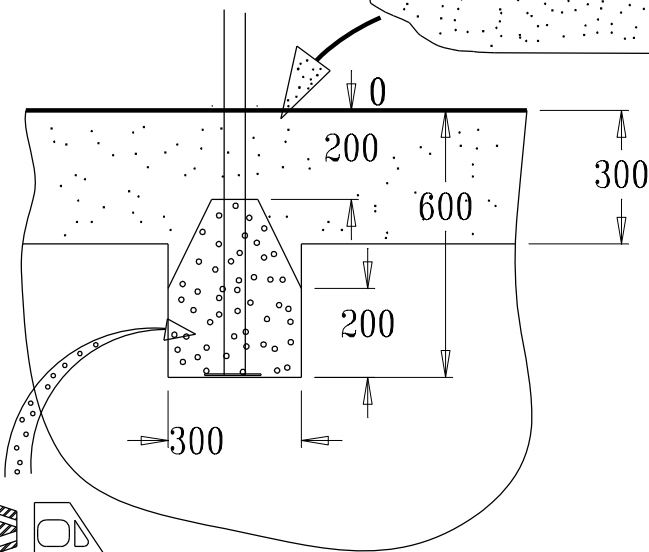
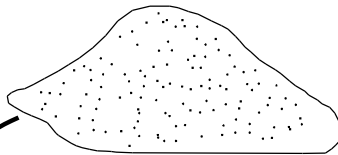


3





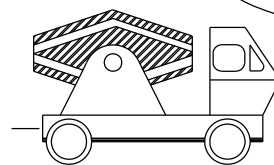
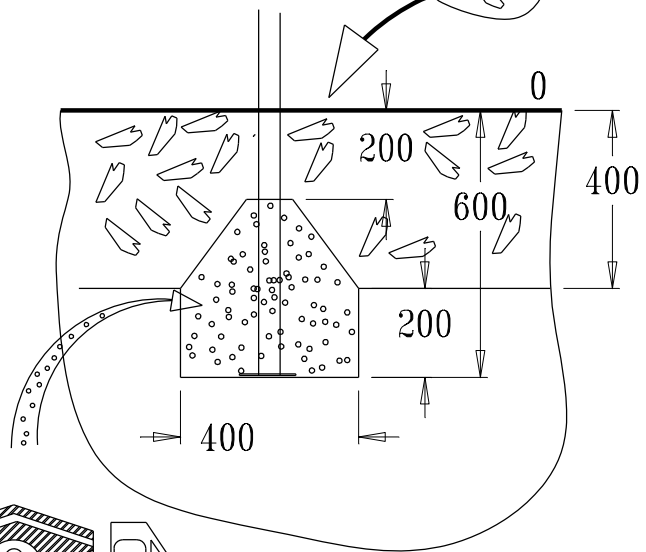
> 1500 Kgs/M³



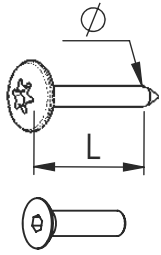
50 Kgs



< 1500 Kgs/M³

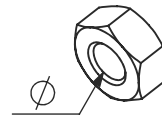


90 Kgs

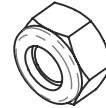


VBT 6 x 30
 \varnothing L (mm)

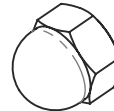
VFHC



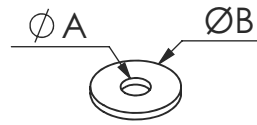
VEC M10
 \varnothing




VEF




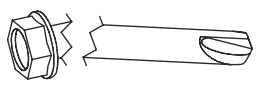
VEB



VR6x18
 $\varnothing A$ $\varnothing B$

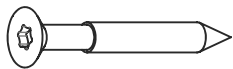


VTHA

1000 - 1800 tr/min
 Vitesse de rotation
 Rotation speed

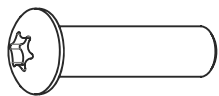
14 N.m
 Couple de rupture
 Torque of break



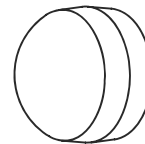
VWT



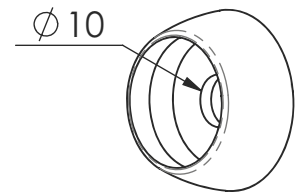
VGC



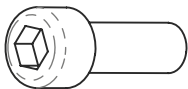
VCBHC



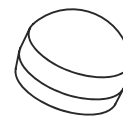
M10 440N



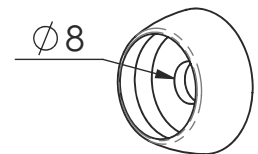
M10 310 N



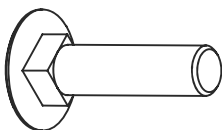
VBTR



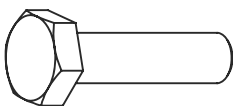
M8440N



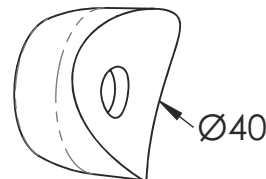
M8310N



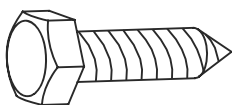
VTRCC



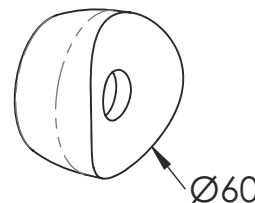
VTH



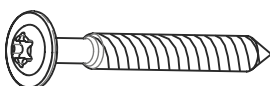
MI2503



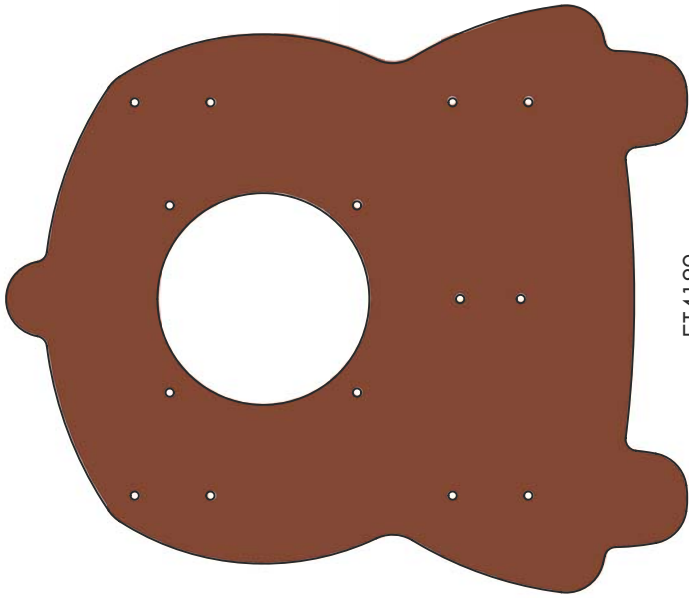
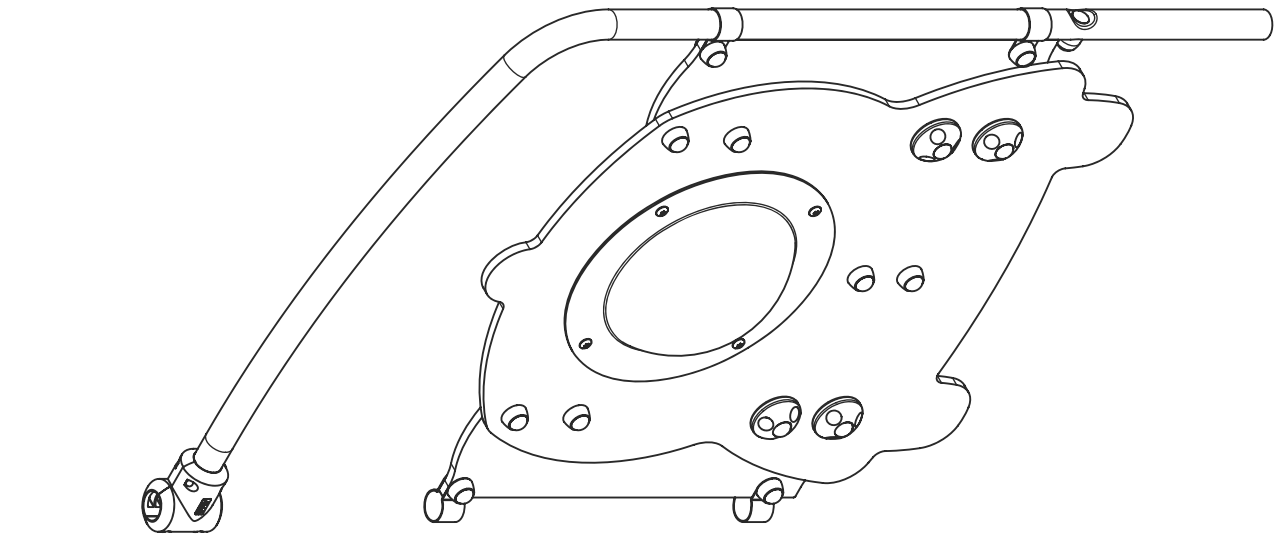
VTF



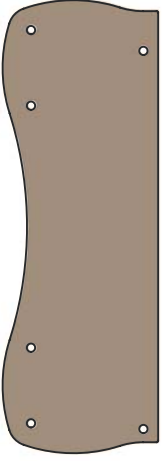
MI2701



VBT



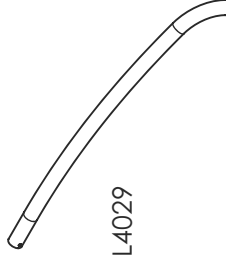
ET4189



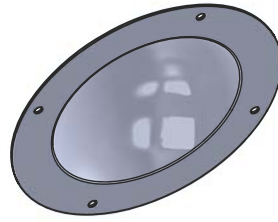
ET3406



U4516



L4029



M4001



MI323

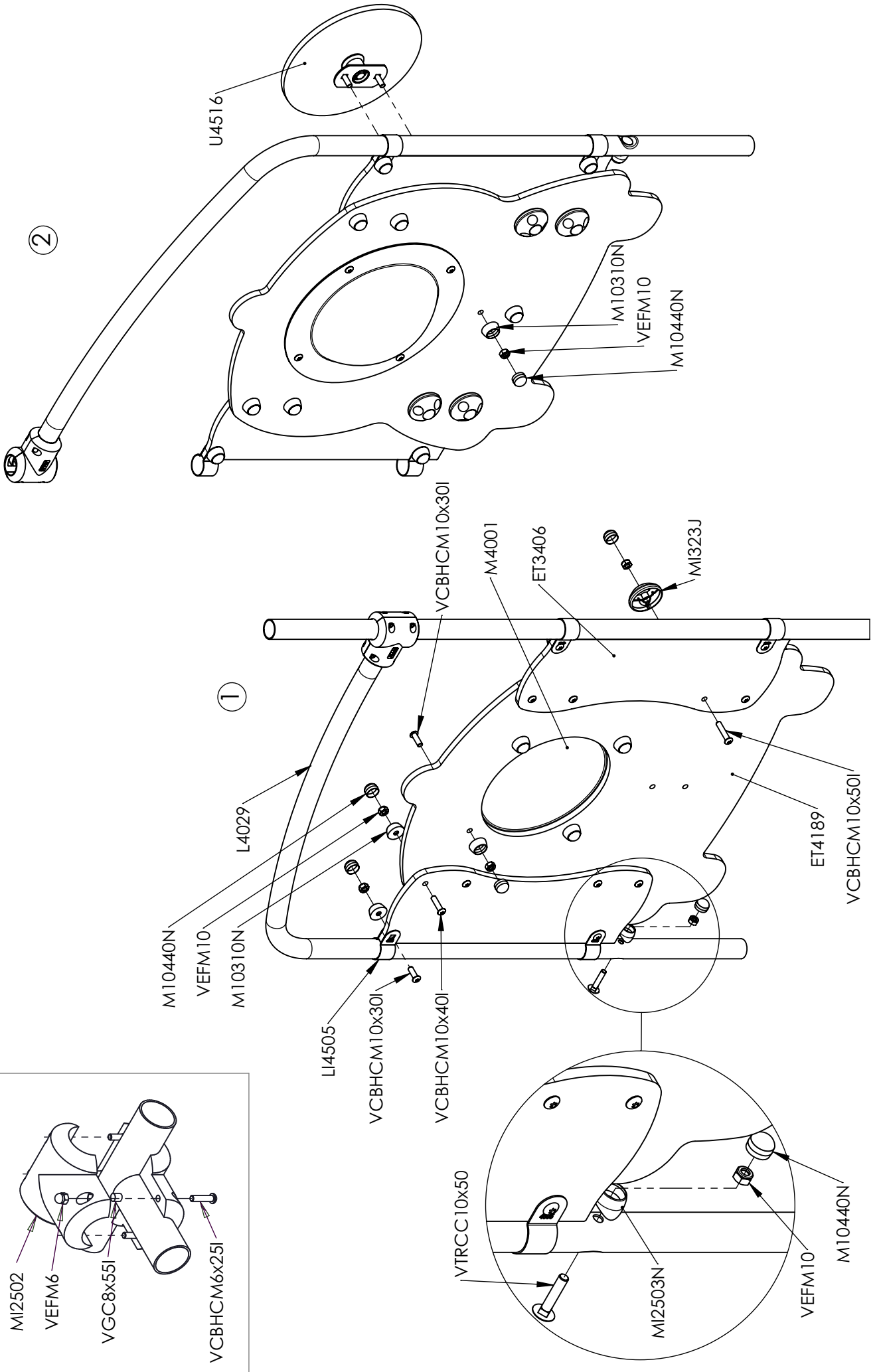
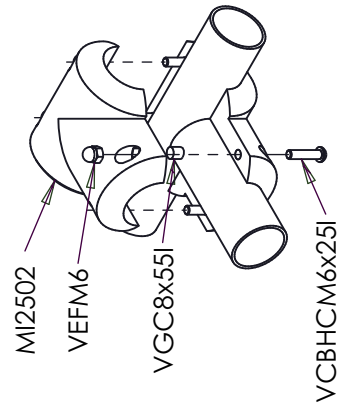


MI2502



LI4505

Réf	Qté
ET3406PL	2
ET4189C	1
L4029	1
LI4505	4
M4001	1
M10310N	14
M10440N	19
MI323J	4
MI2502N	2
MI2503N	1
U4516	1
VCBHC6x25I	4
VCBHC10x30I	8
VCBHC10x40I	4
VCBHC10x50I	4
VEBM6	4
VEFM10	19
VGC8x55I	1
VTRCC10x50	1

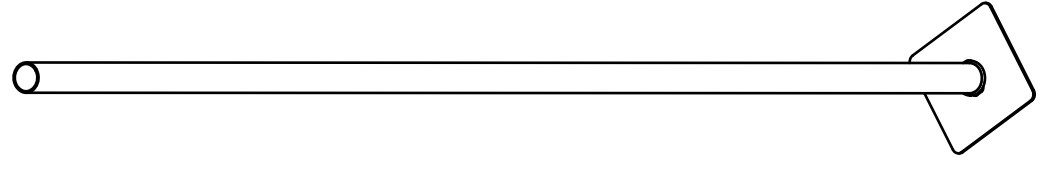
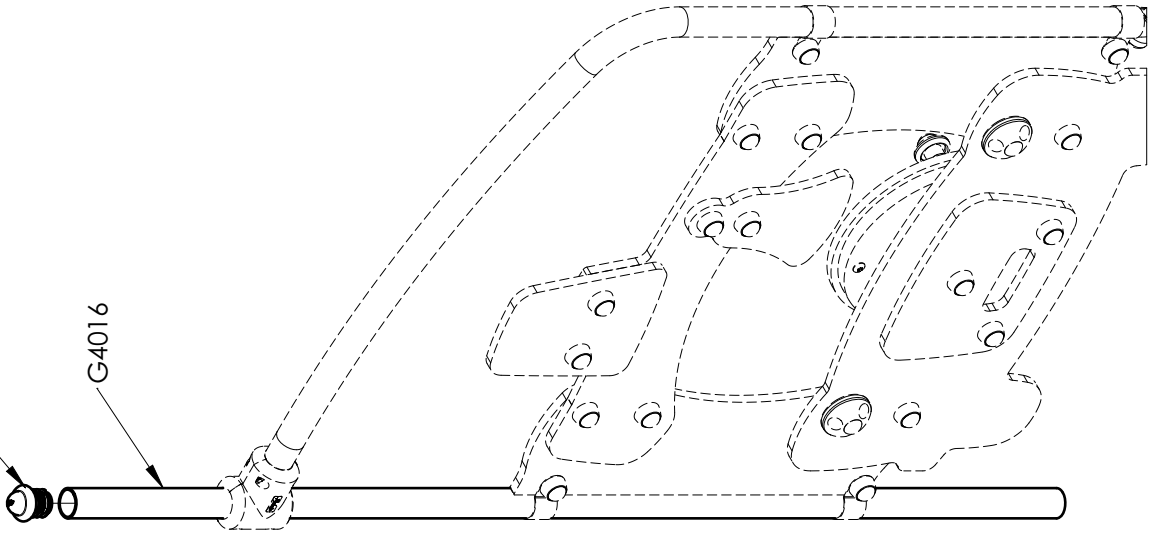


M12510N

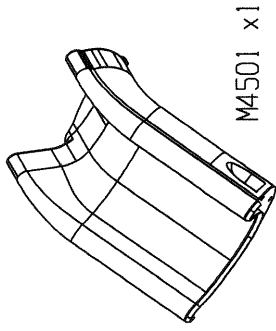
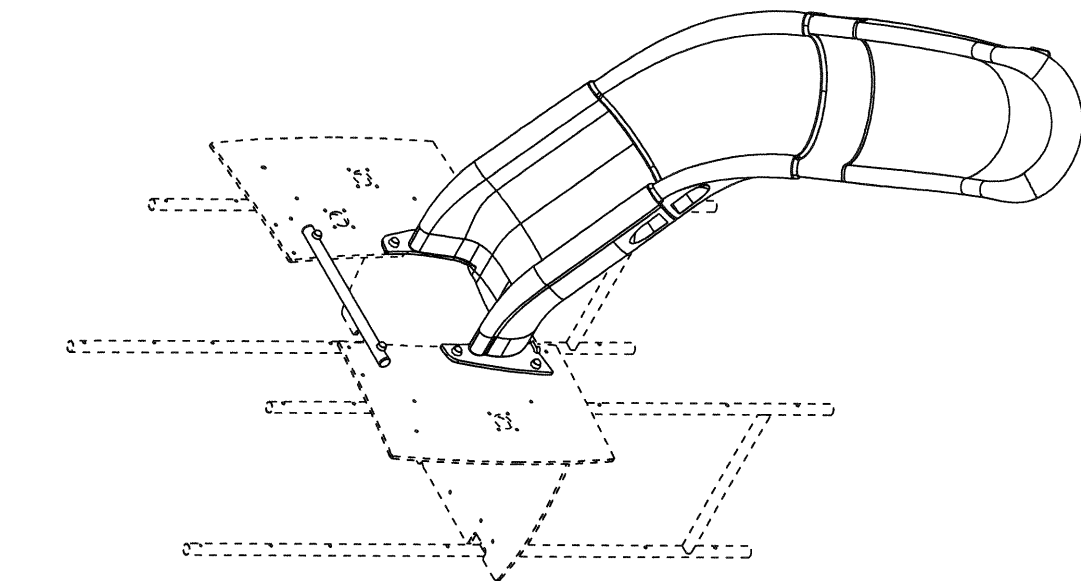
G4016

L4015

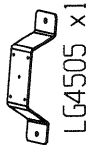
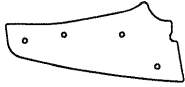
M12510N



Réf	Qté
L4015	1
M12510N	1

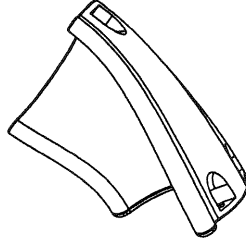


ET4076PL x2

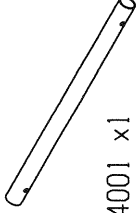


M4501 x1

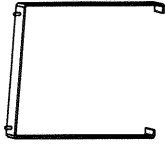
M4504 x1



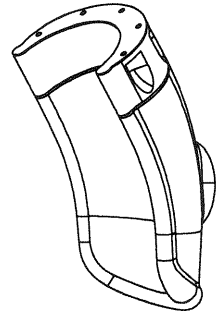
LG4001 x1



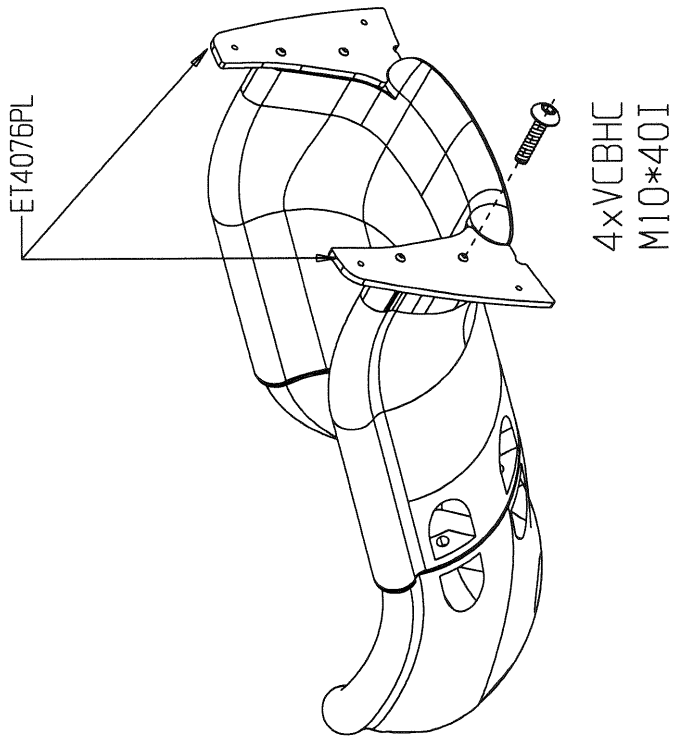
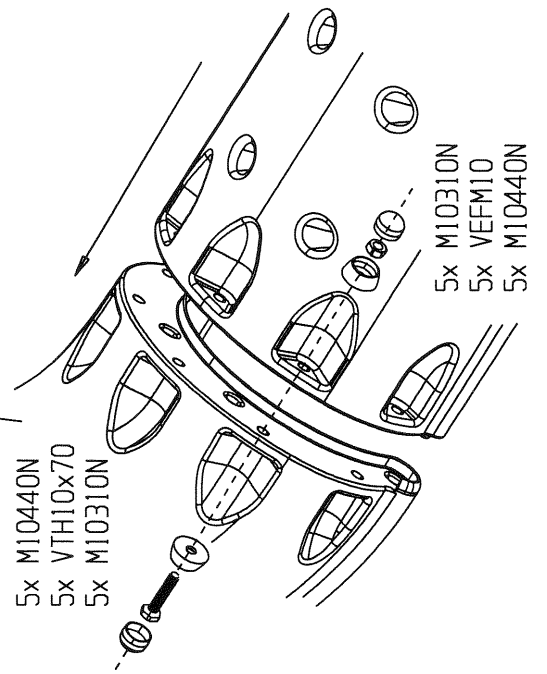
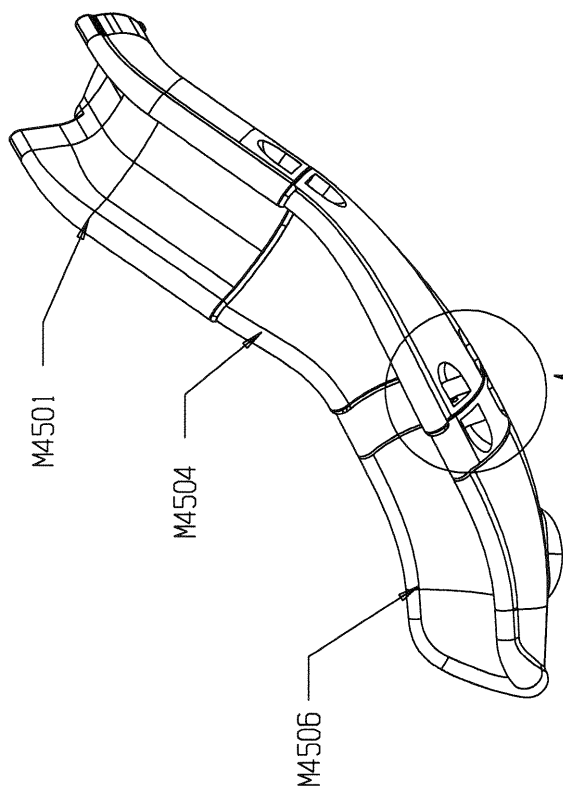
LZ311 x1

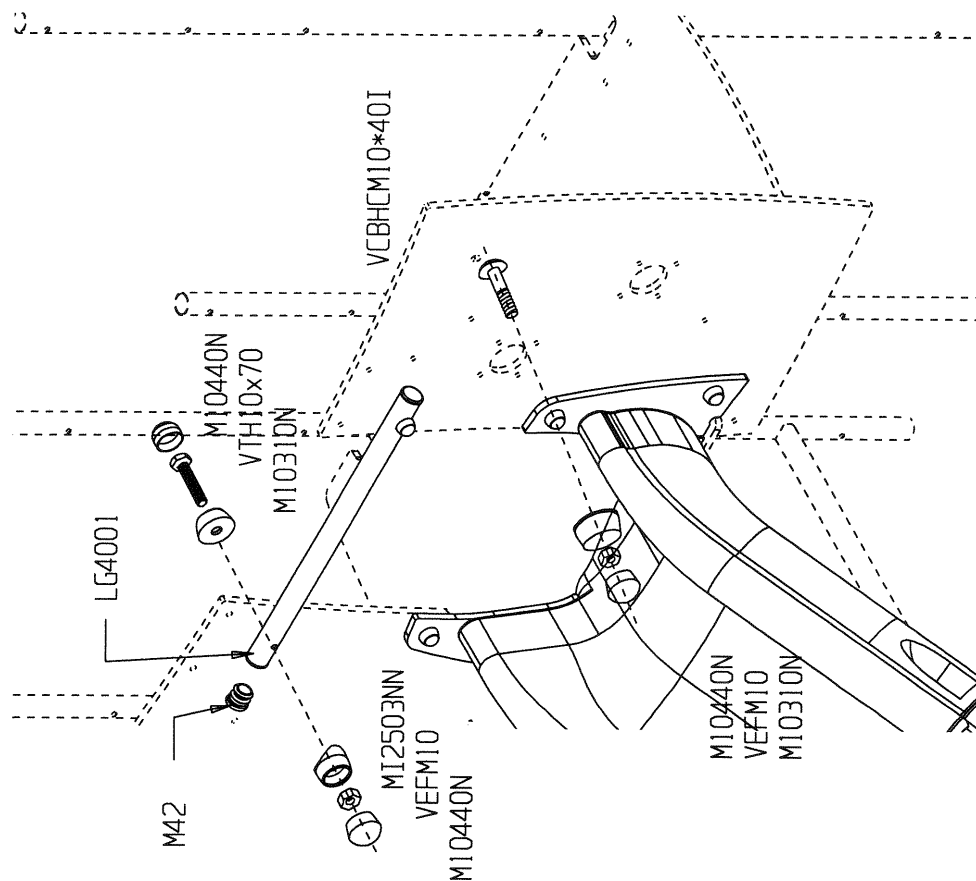
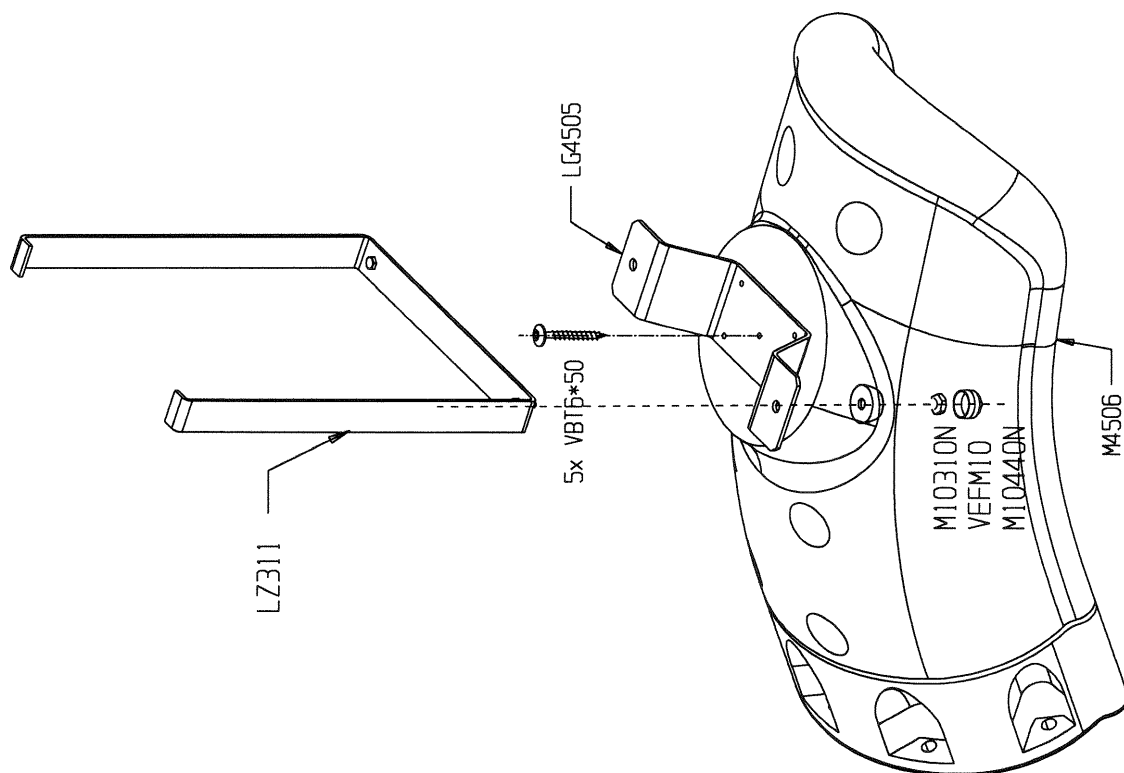


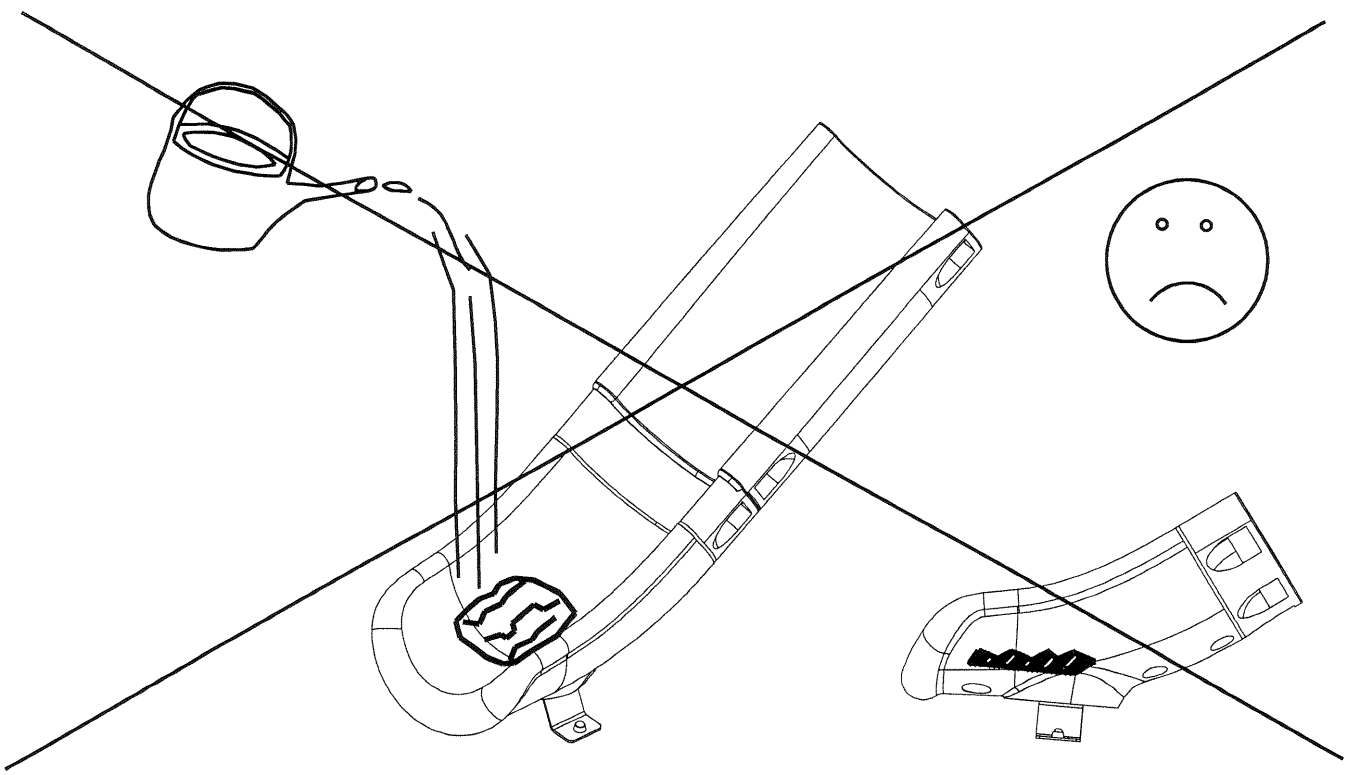
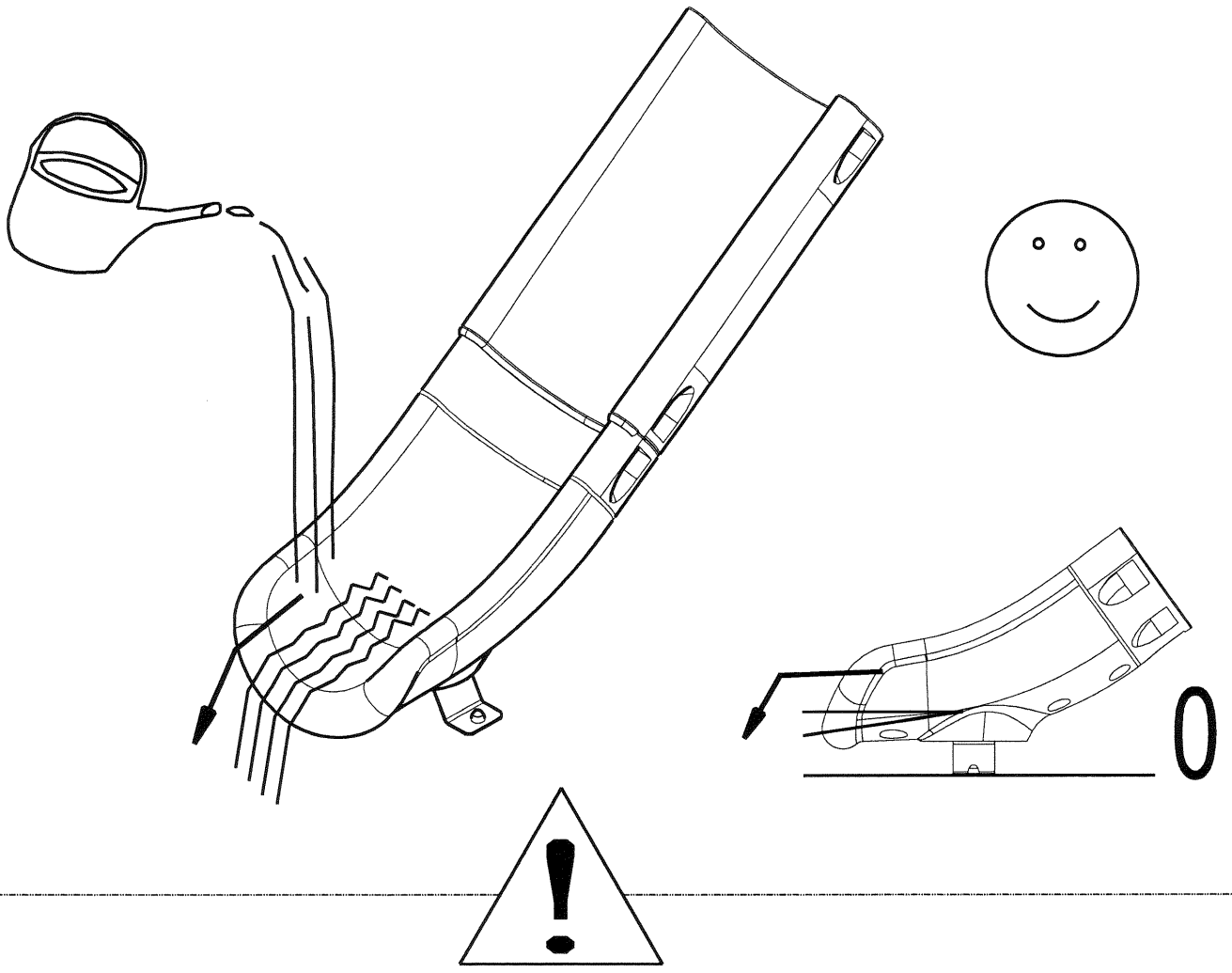
M4506 x1

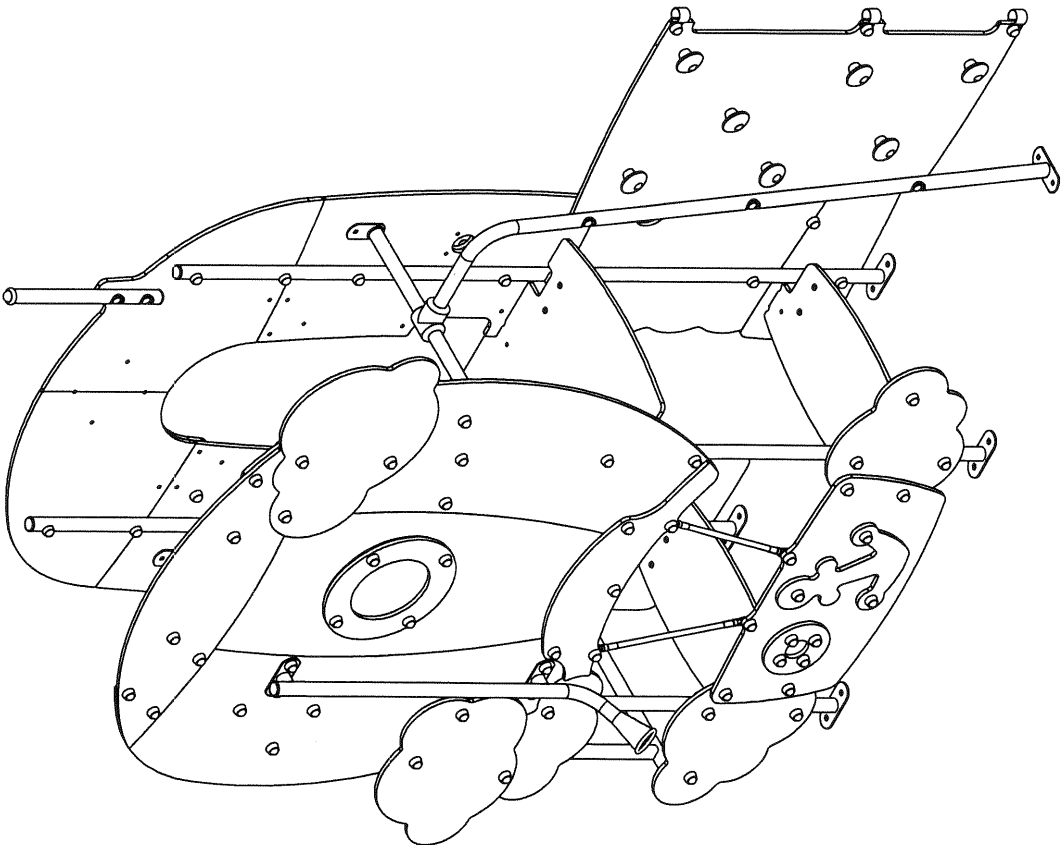
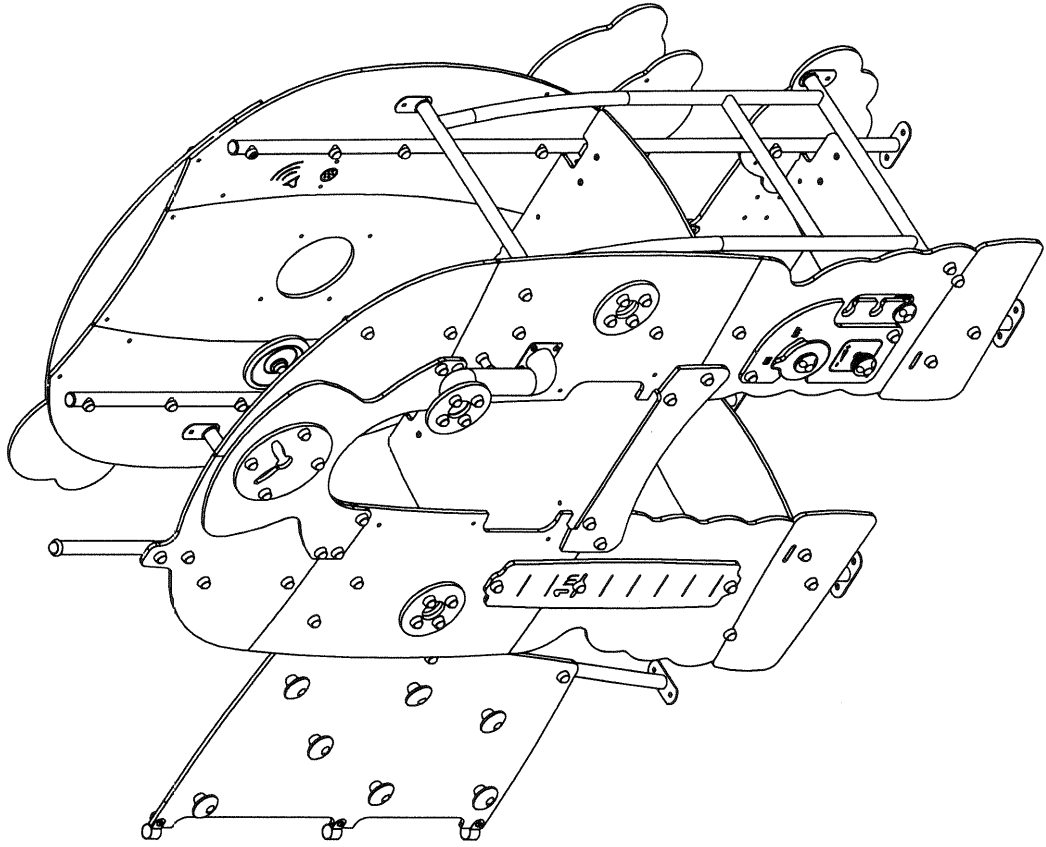


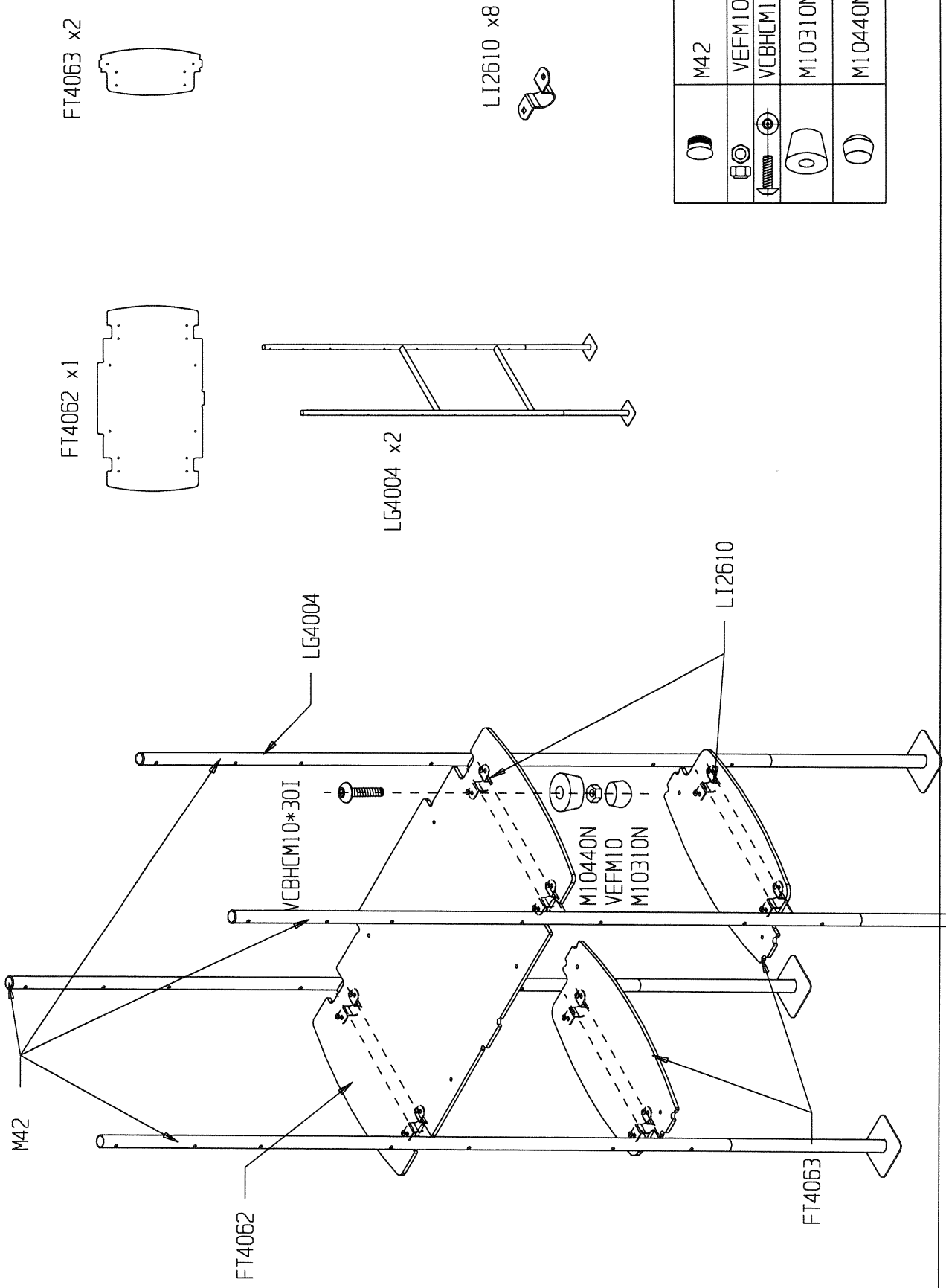
	VCBHC10*40I	8
	M10310N	28
	M10440N	30
	VEFM10	20
	VTH 10x70	12
	MI2503N	2
	M42	2
	VBT6*50	5



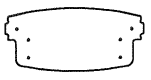








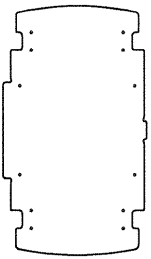
FT4063 x2



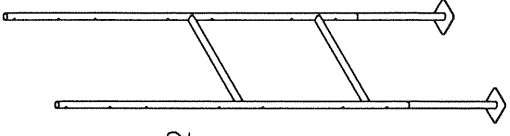
LI2610 x8



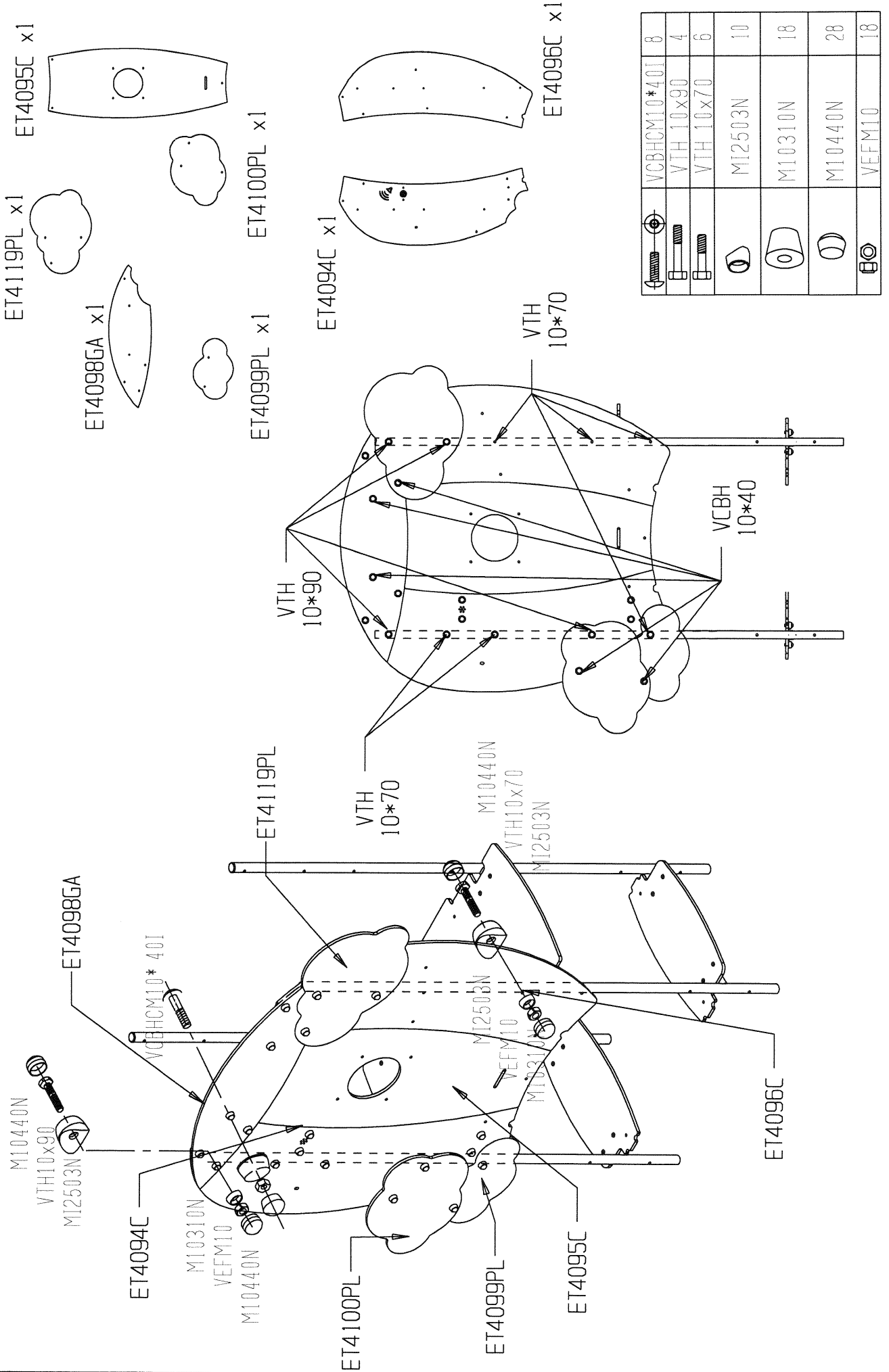
FT4062 x1



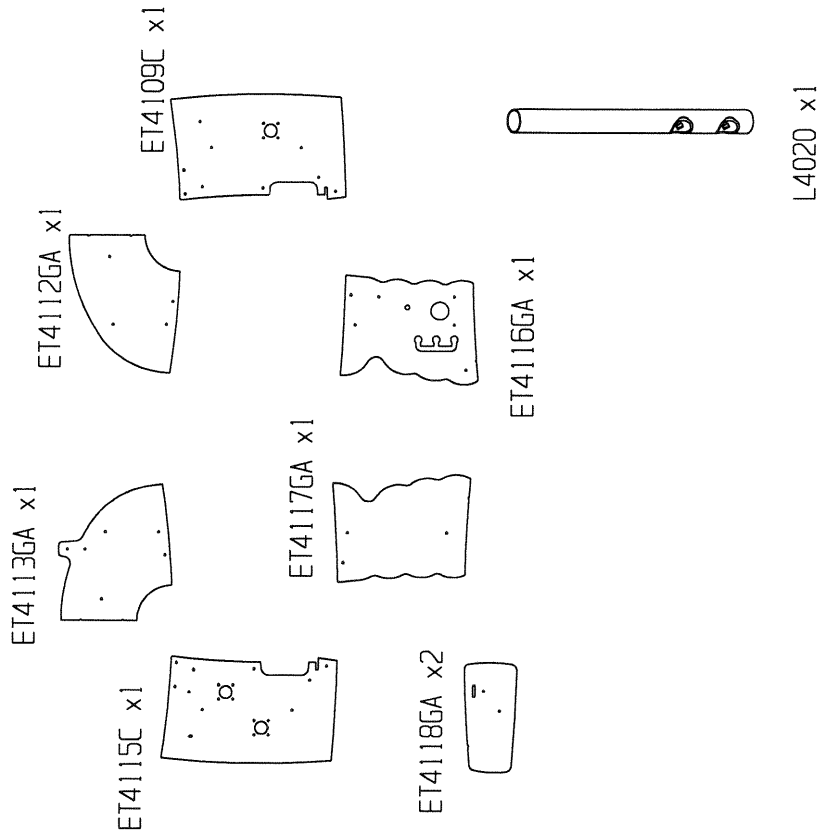
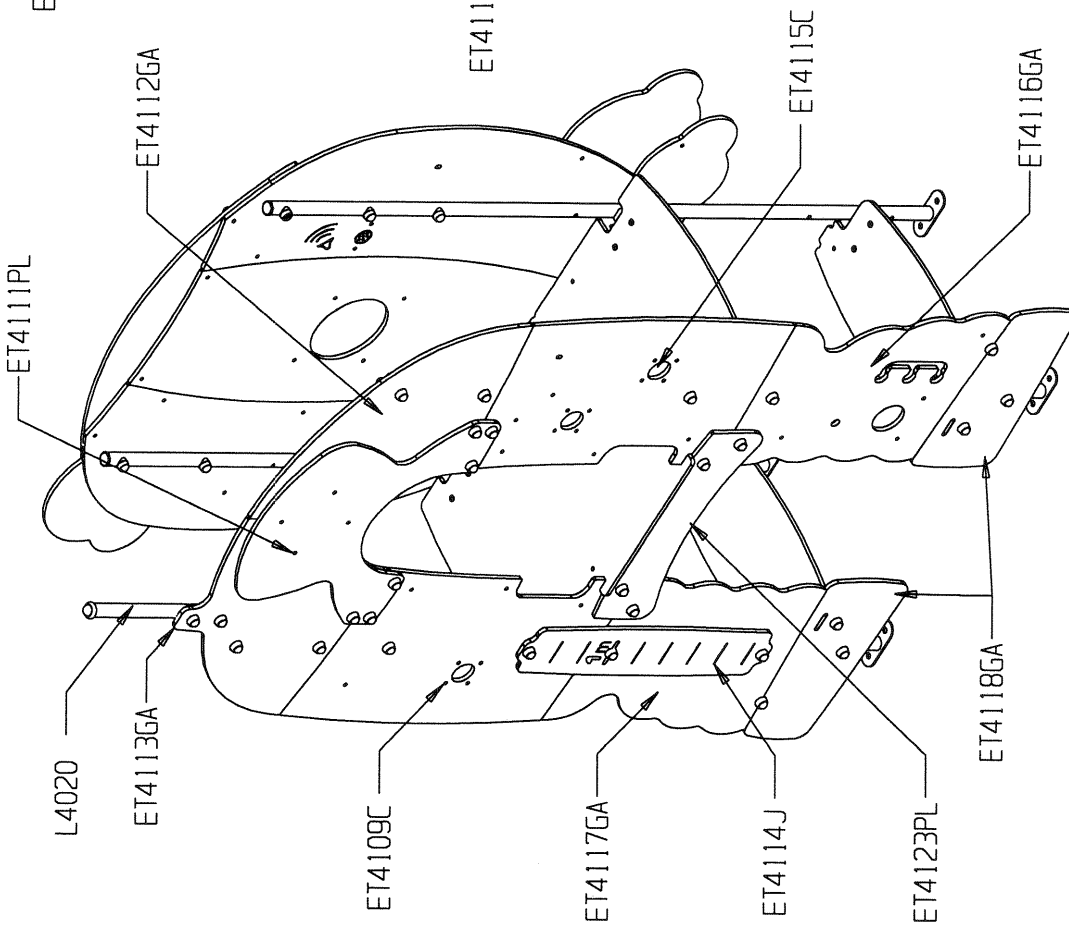
LG4004 x2



	M42	4
	VEFM10	16
	VCBHCM10*30I	16
	M10310N	16
	M10440N	16

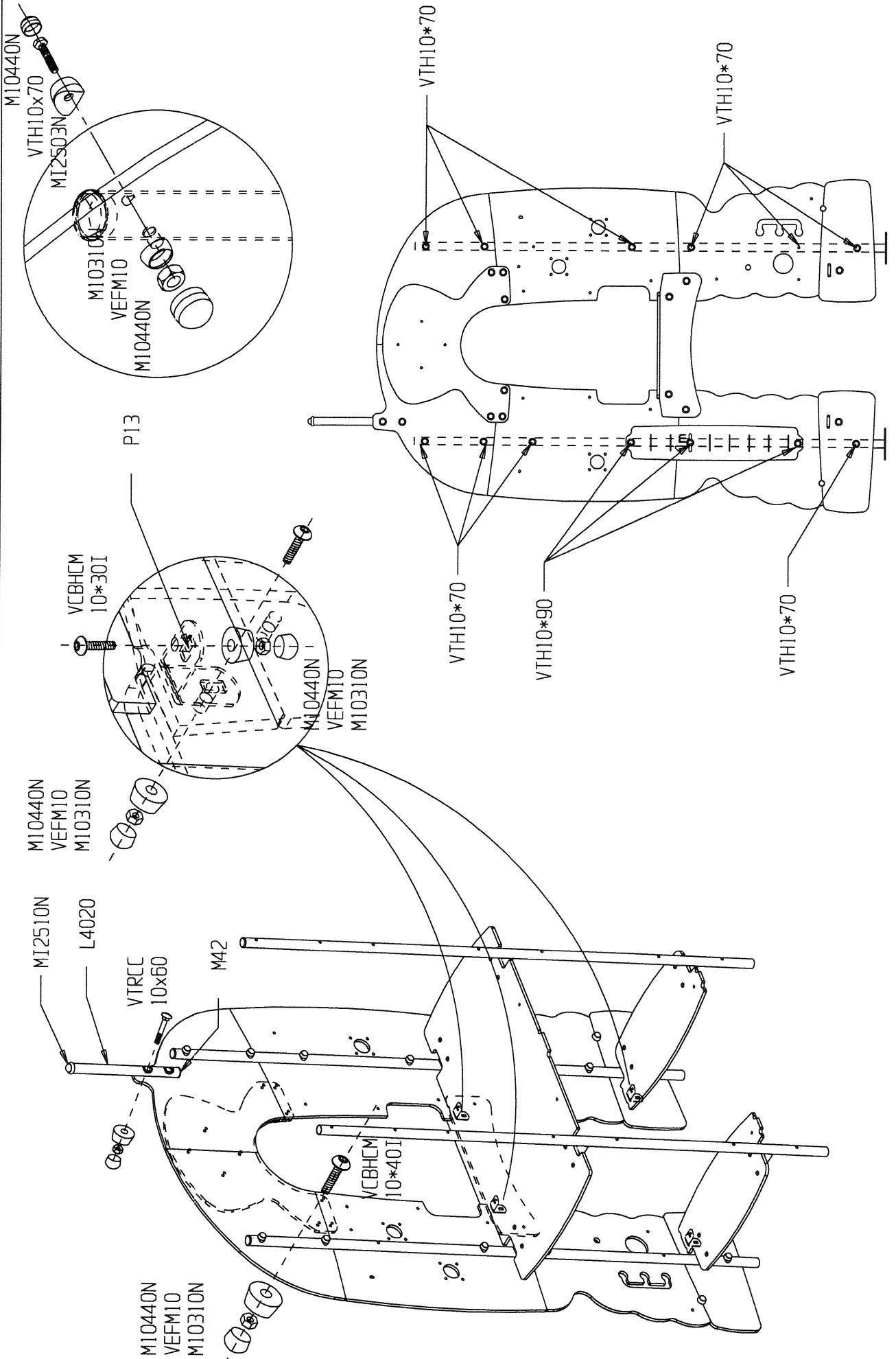


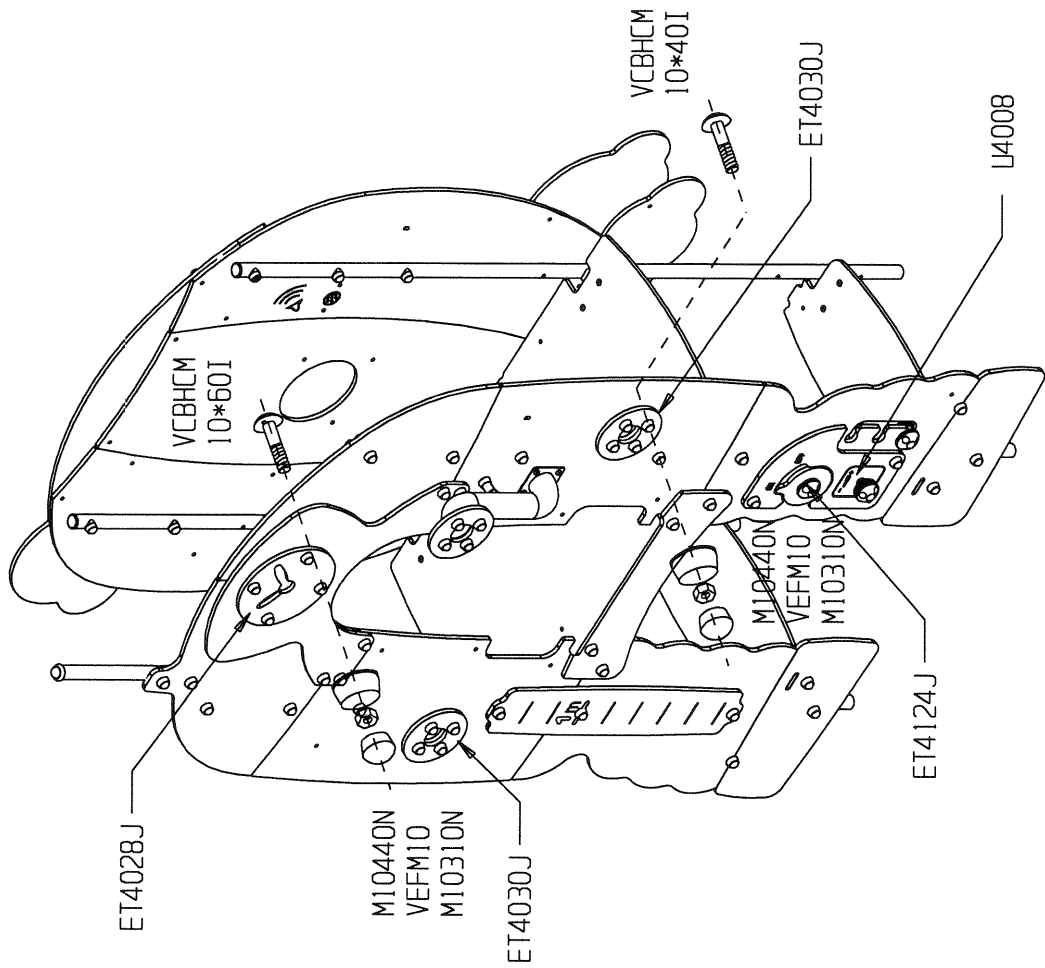
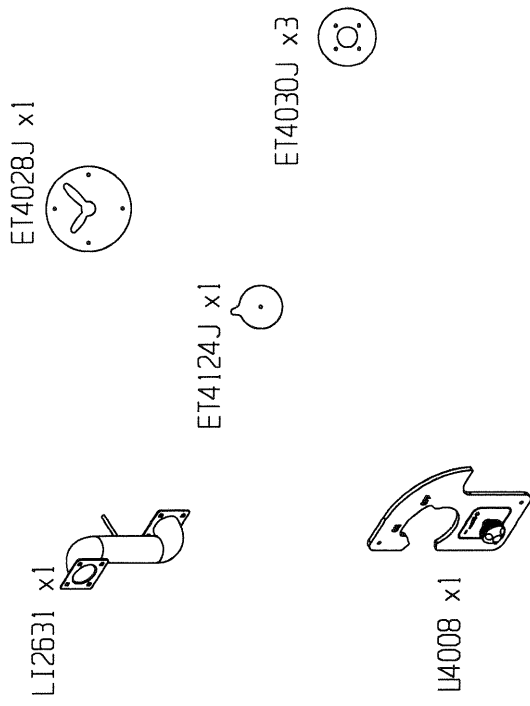
	VCBHC10*40I	8
	VTH 10x90	4
	VTH 10x70	6
	M12503N	10
	M10310N	18
	M10440N	28
	VEFM10	18



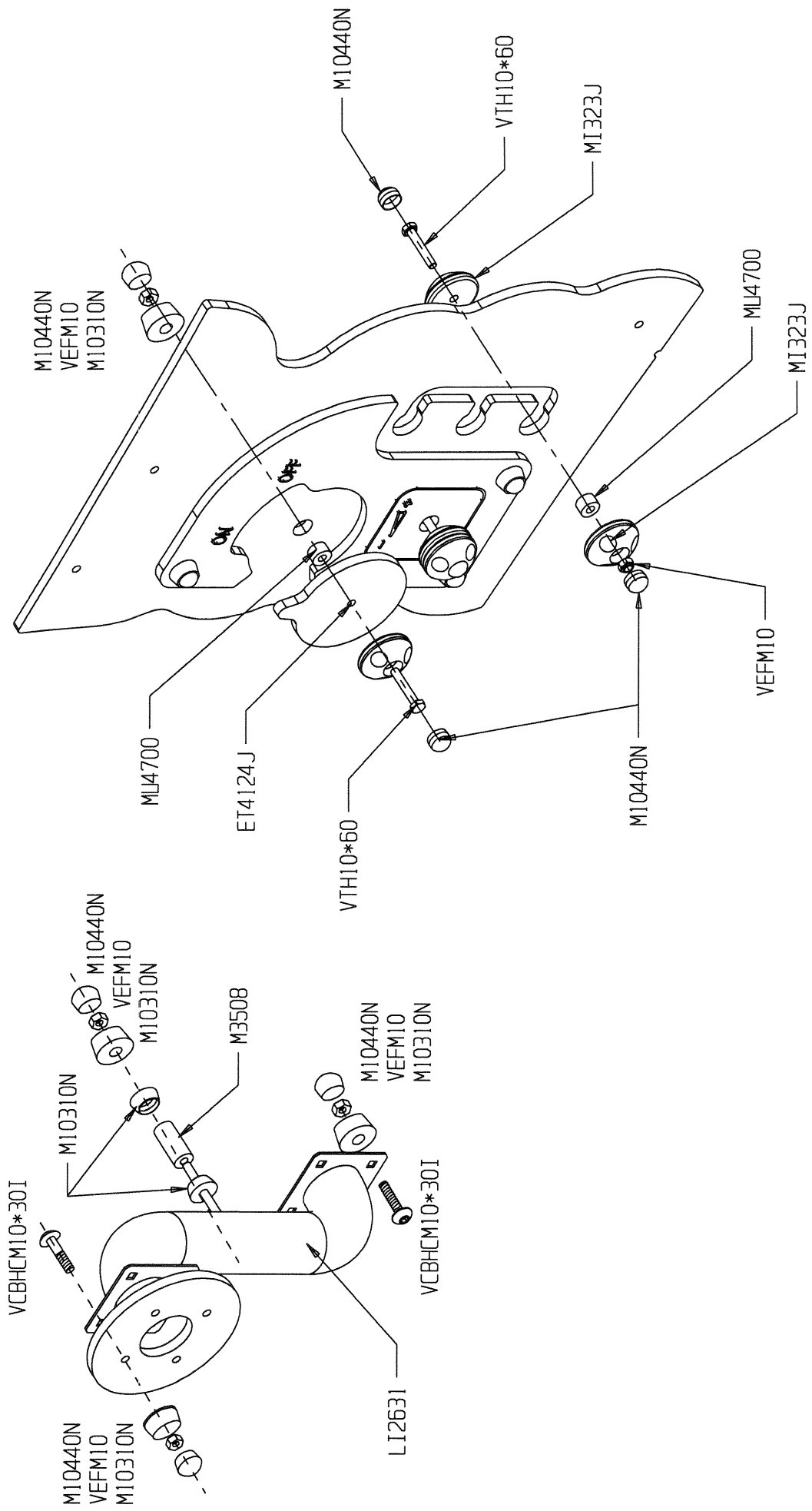
	VTH 10x90	3
	VTH 10x70	10
	M12503N	13
	M10310N	29
	M10440N	42
	VEEM10	29
	VTRCC10x60	2

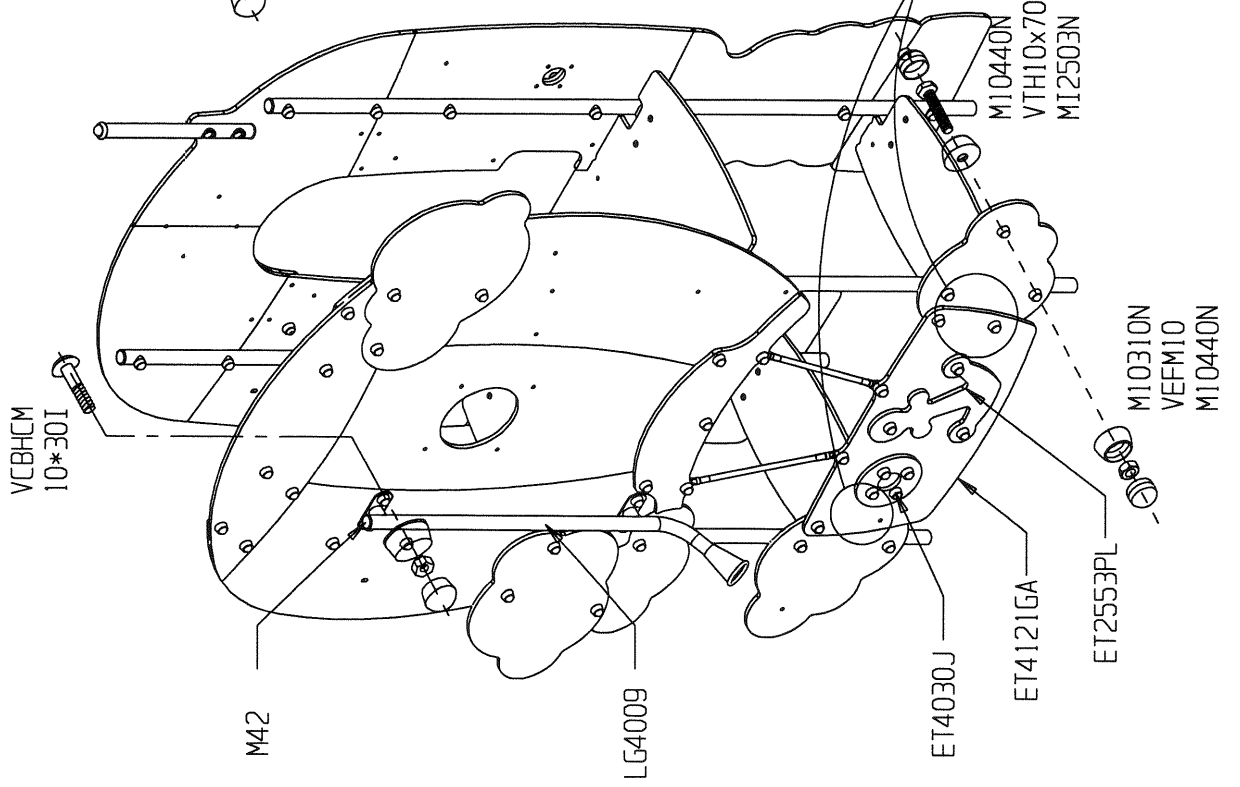
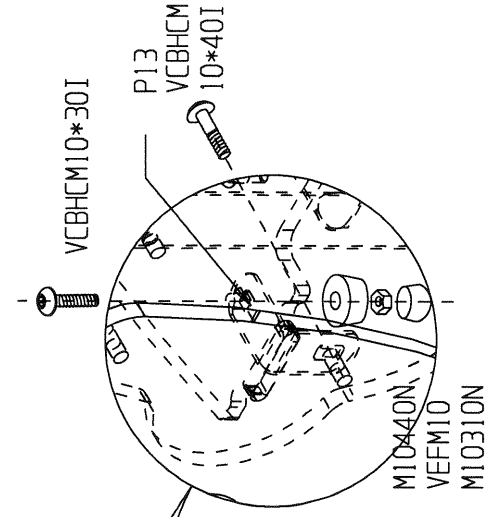
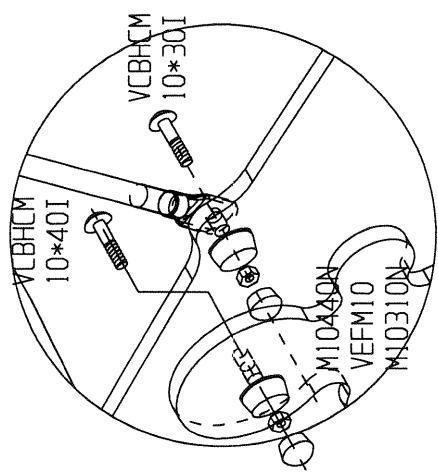
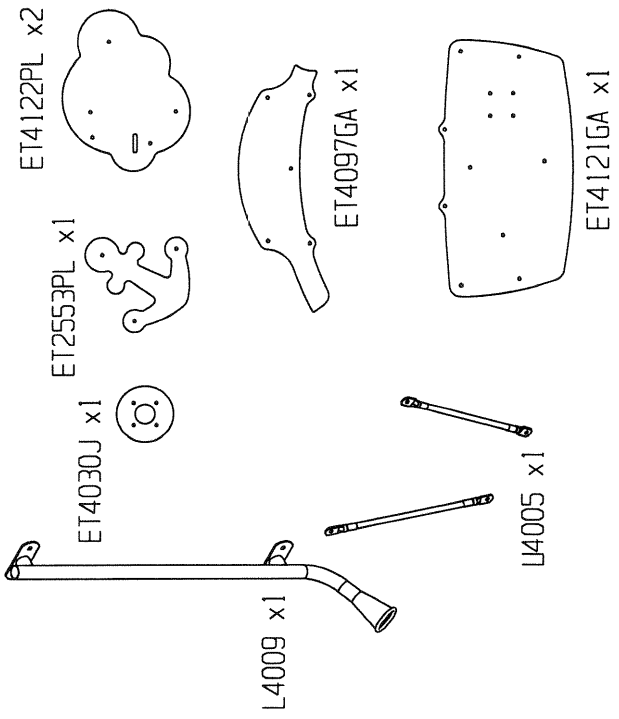
	VCBHC10*40I	8
	VCBHC10*30I	6
	70 mm :P13	4
	M42	1
	M12510N	1



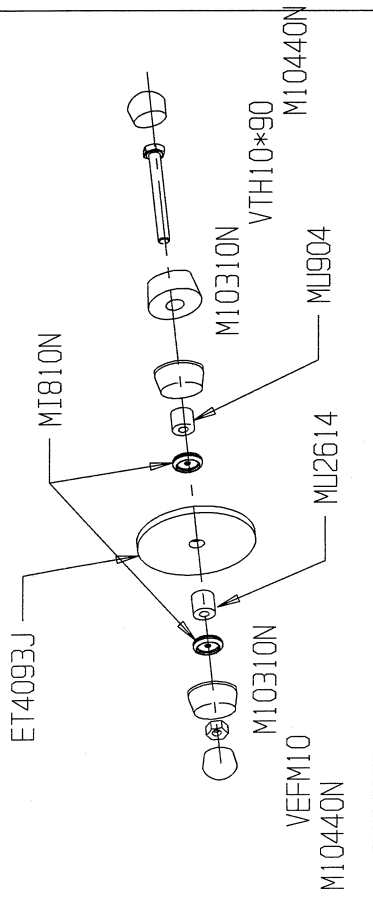


	VTH 10x60	2
	MI323J	3
	MI4700	2
	VEFM10	26
	VCBHCM10*60I	4
	VCBHCM10*40I	11
	VCBHCM10*30I	8
	M10310N	24
	M10440N	27

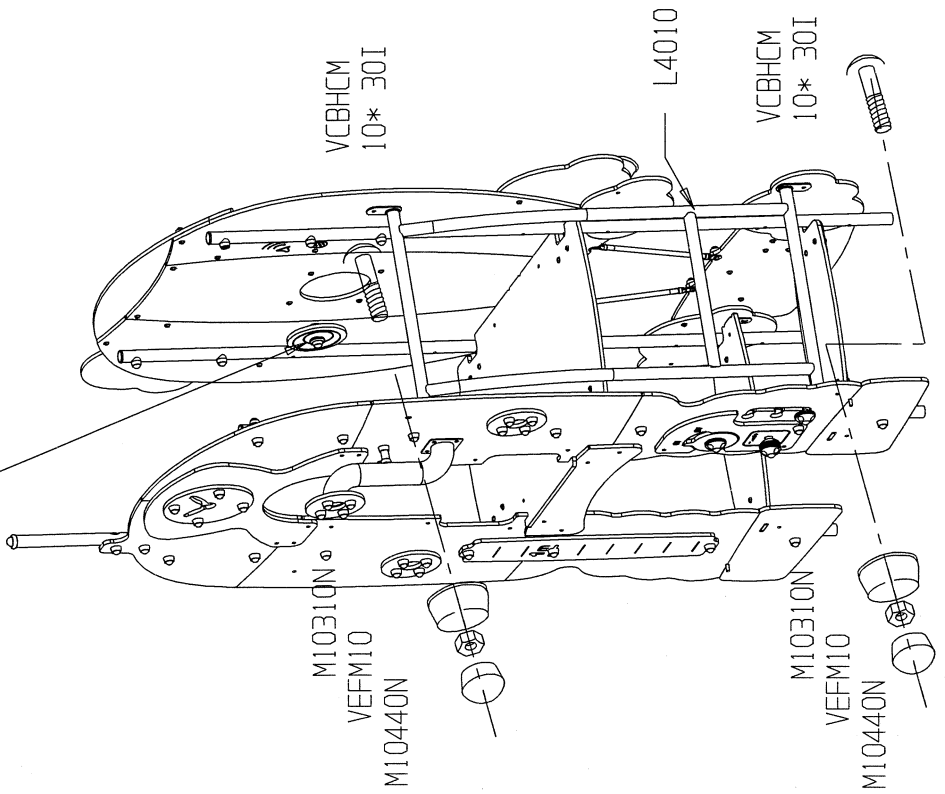
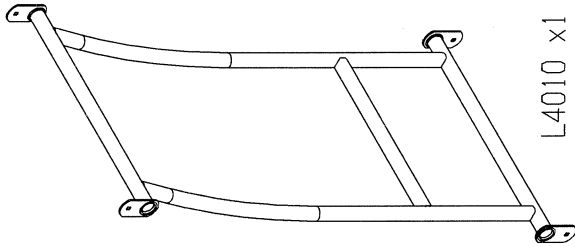




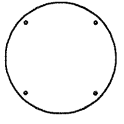
	VTH 10x60	4
	MI2503N	4
	M42	1
	VCBHCM10*30I	8
	70 mm :P13	2
	VEFM10	23
	VCBHCM10*40I	11
	M10310N	23
	M10440N	27



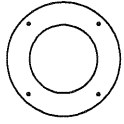
ET4093J x1



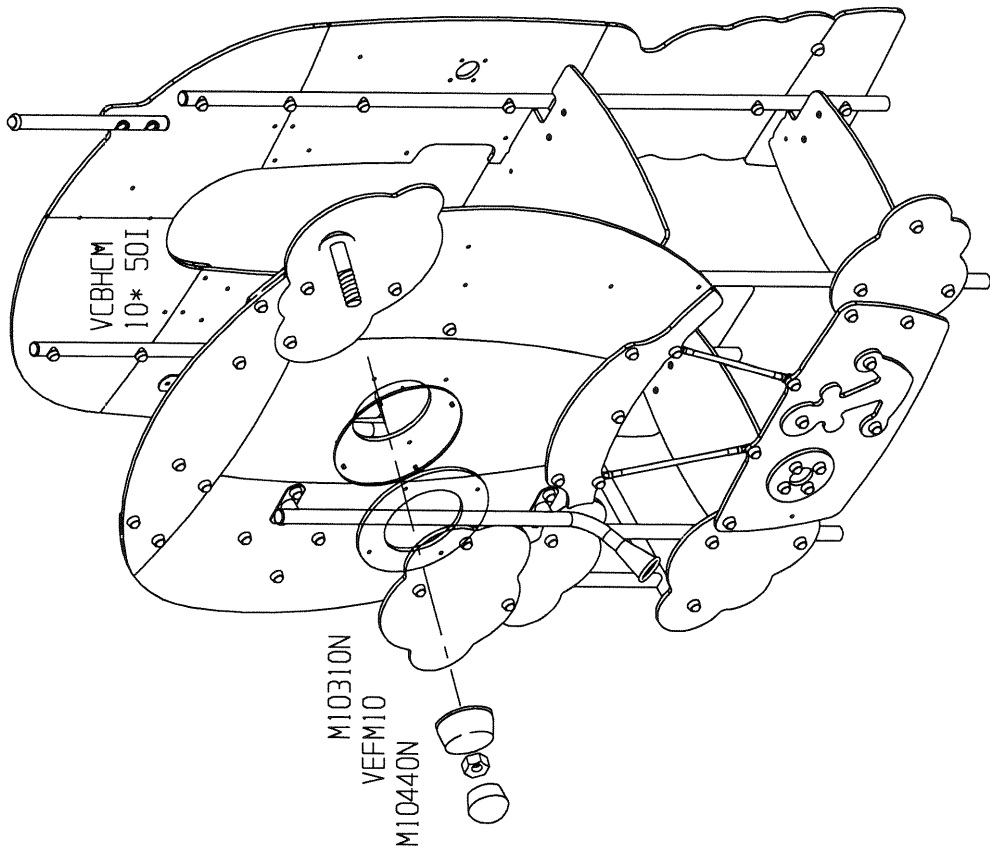
	ML2614	2
	MI810N	2
	VEFM10	5
	M10310N	8
	M10440N	6
	VCBHC10x30I	4
	VTH 10x90	1



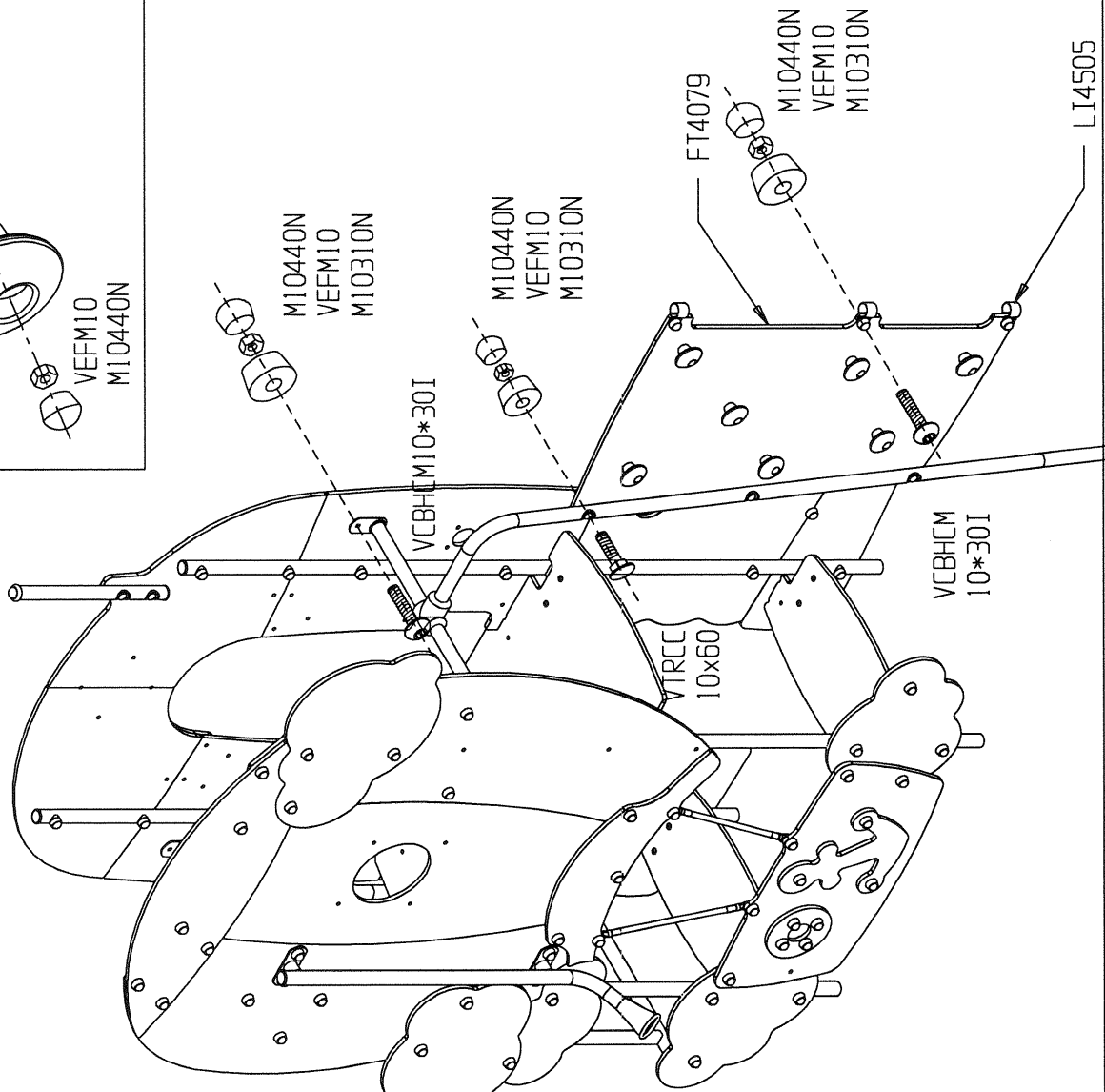
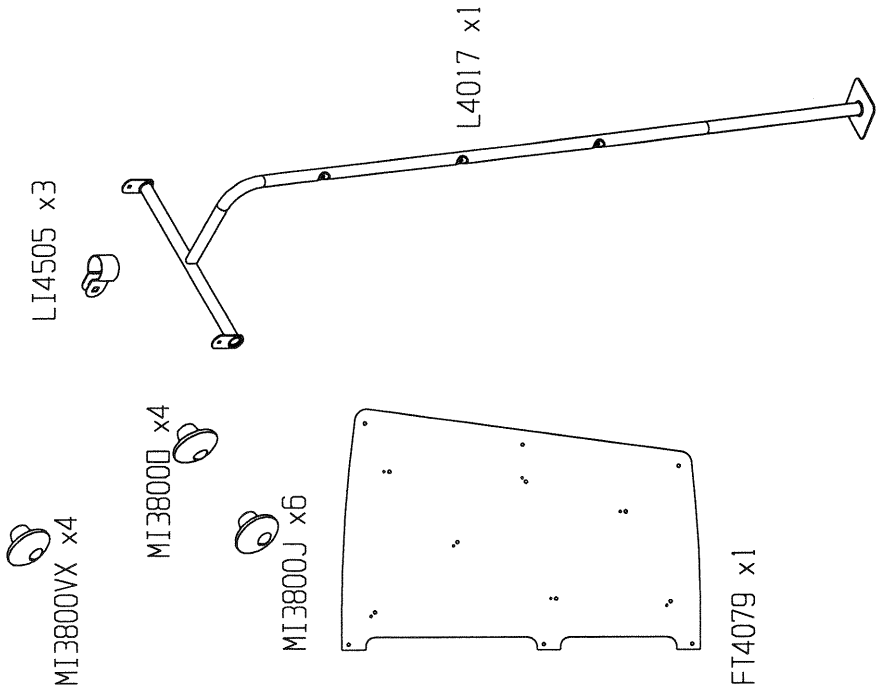
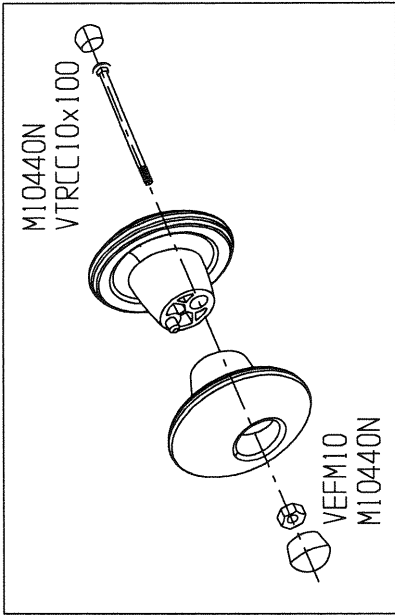
EM3146V x1



ET47123J x1



	VEFM10	4
	M10310N	4
	M10440N	4
	VCBHC[M10*50I]	4



	VEFM10	15
	M10310N	7
	M10440N	22
	VCBHCM10x30I	5
	VCBHCM6x25I	4
	VEBM6	4
	VTRCC10x100	7
	VTRCC10x60	3

