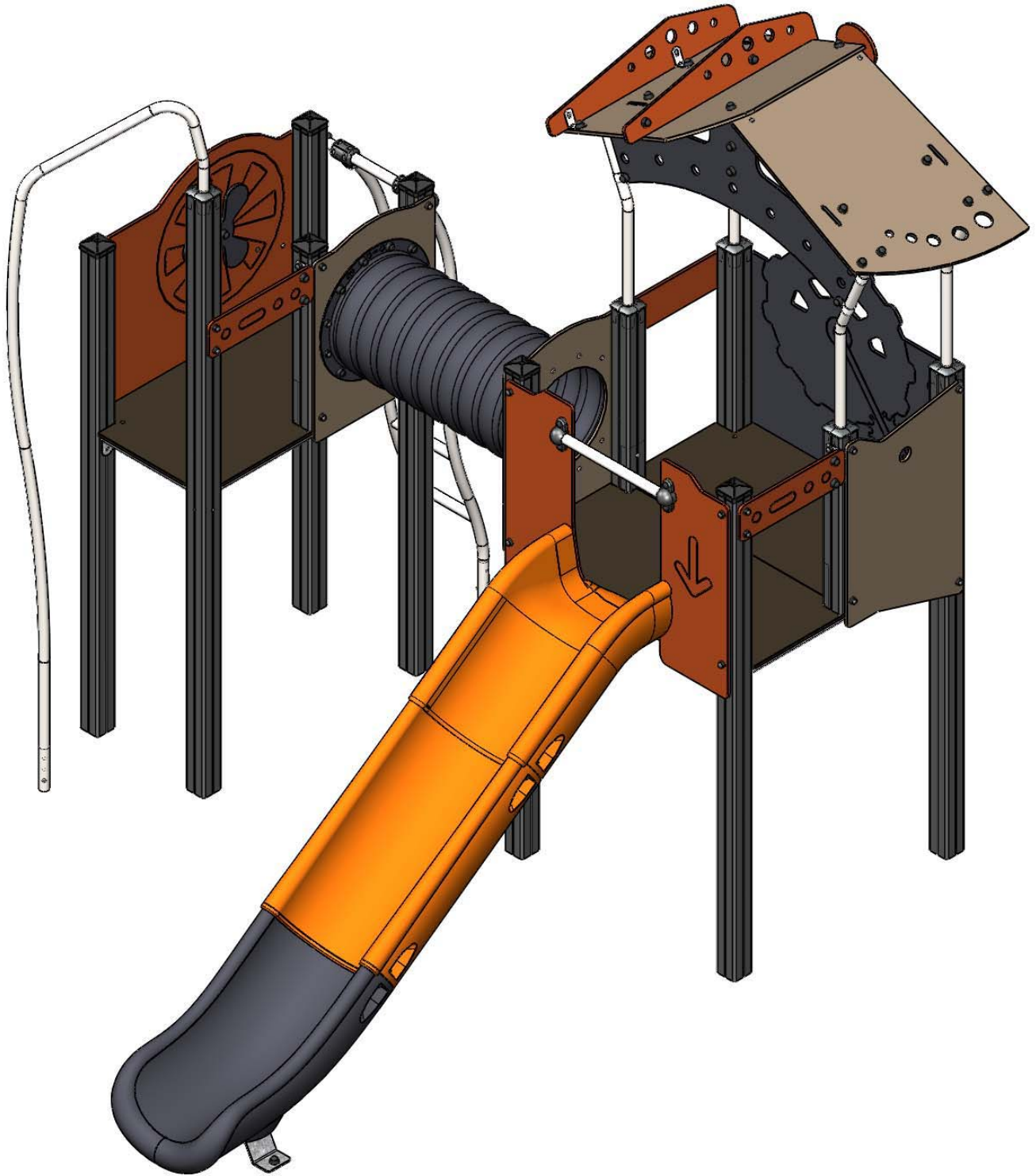


J38350

Proludic





N°		
1	1 m	6 m ²
2	1.37 m	20.5 m ²
3	2.1 m	9.5 m ²

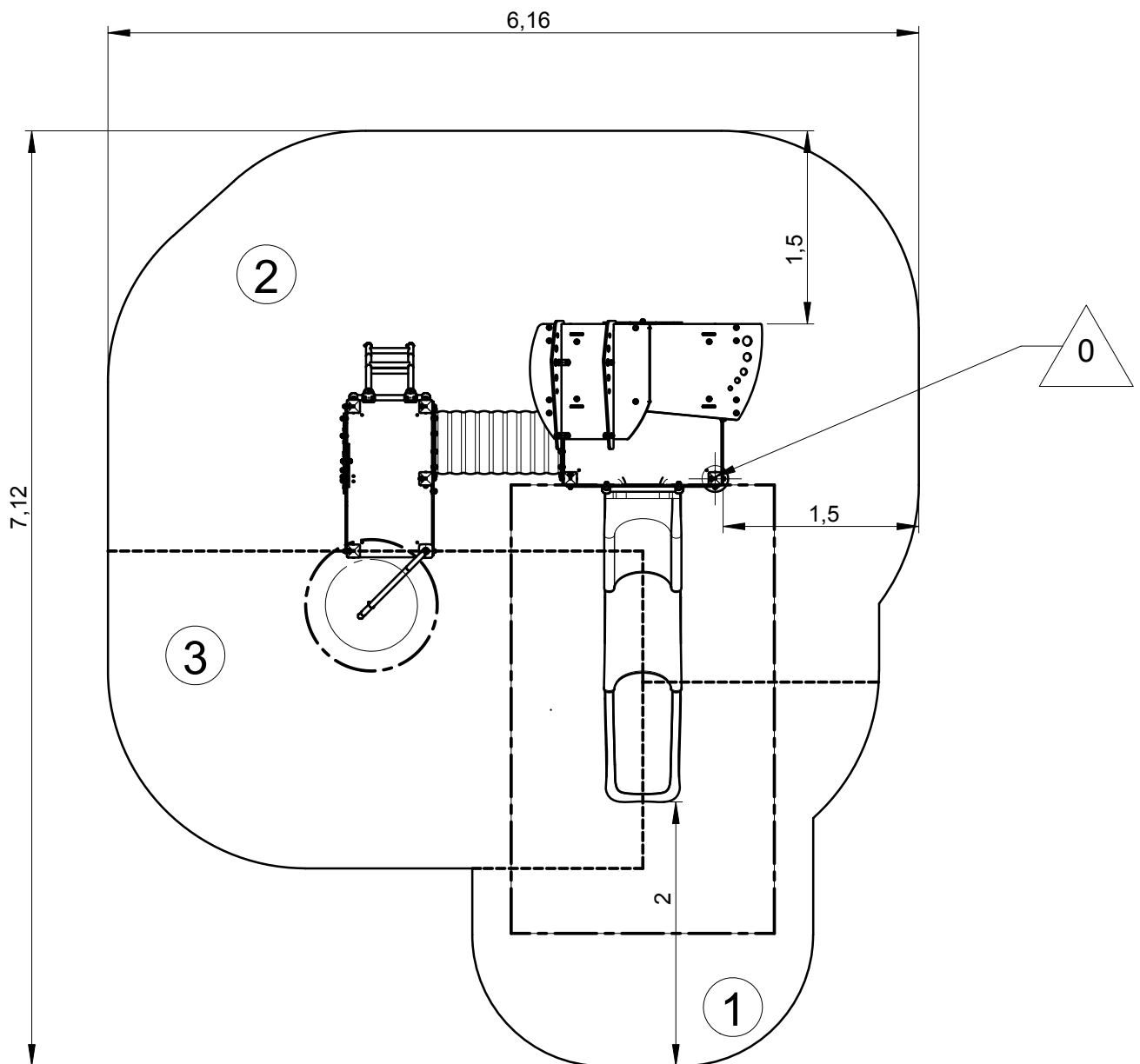
— Zone d'impact
Impact area
Area de impacto
Fallraum
Valzone

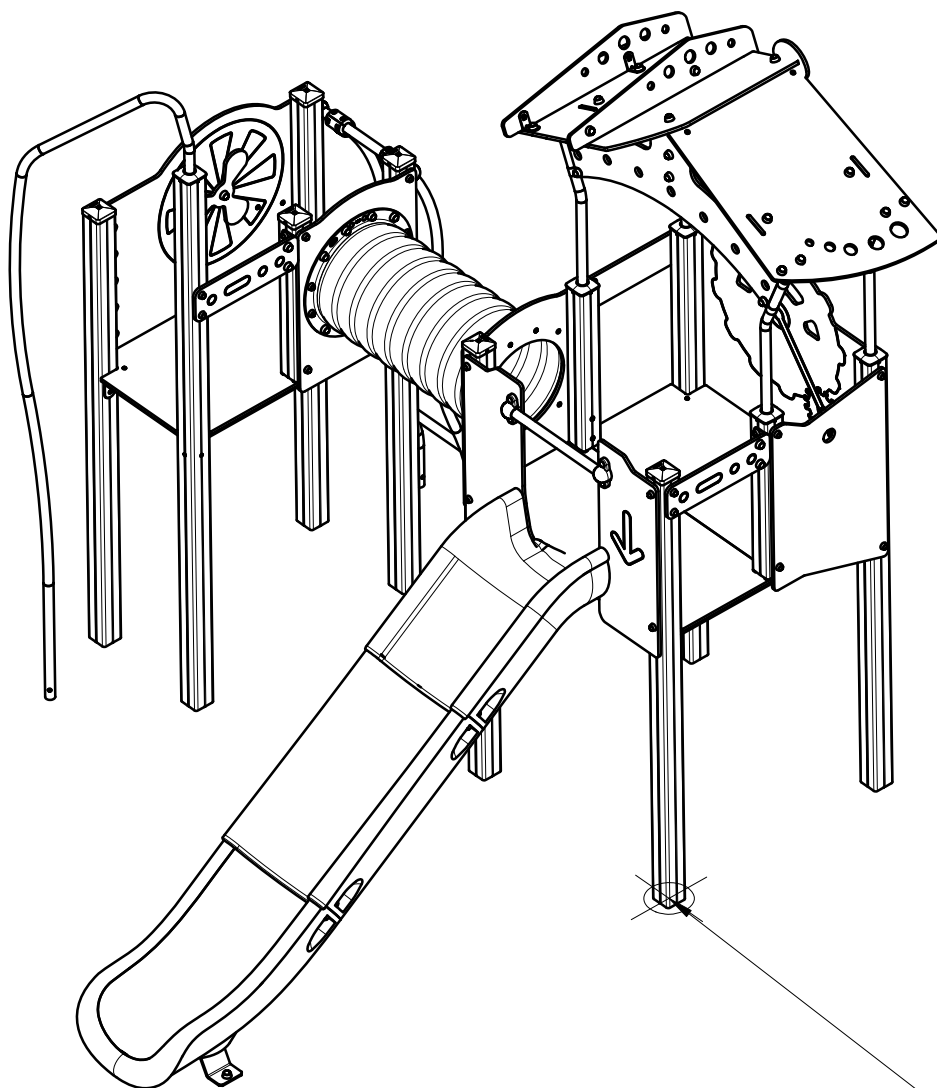


Point de référence
Setting out point
Punto de referencia
Bezugspunkt
Referentiepunt

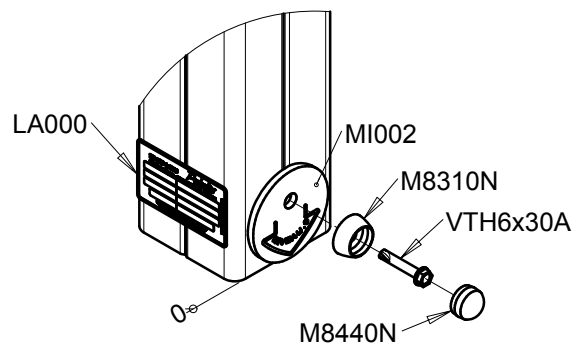
- - - Espace libre
Free space
Espacio libre
Freiraum
Vrije ruimte

EN1176-1:2017
EN1176-3:2017



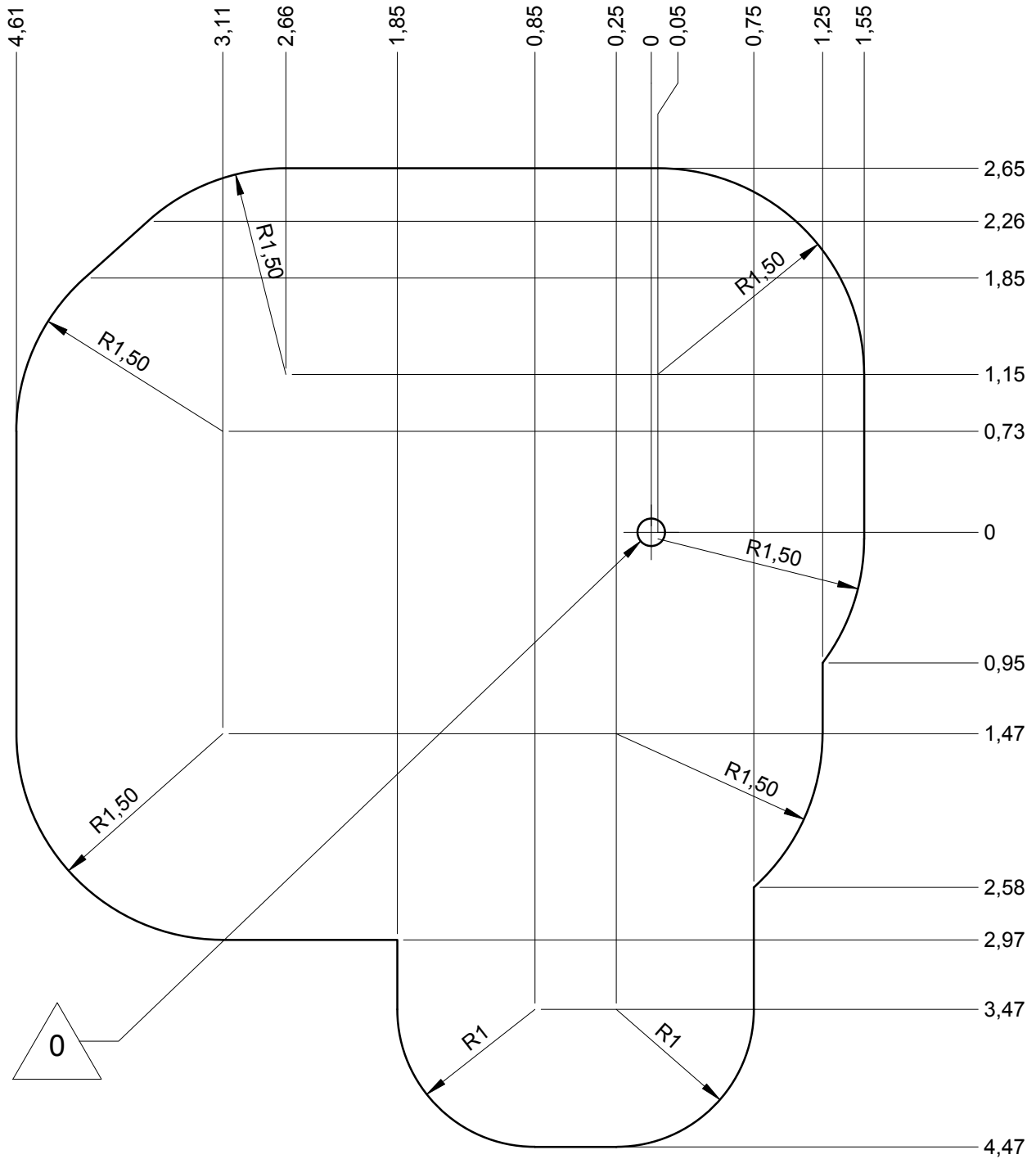


0



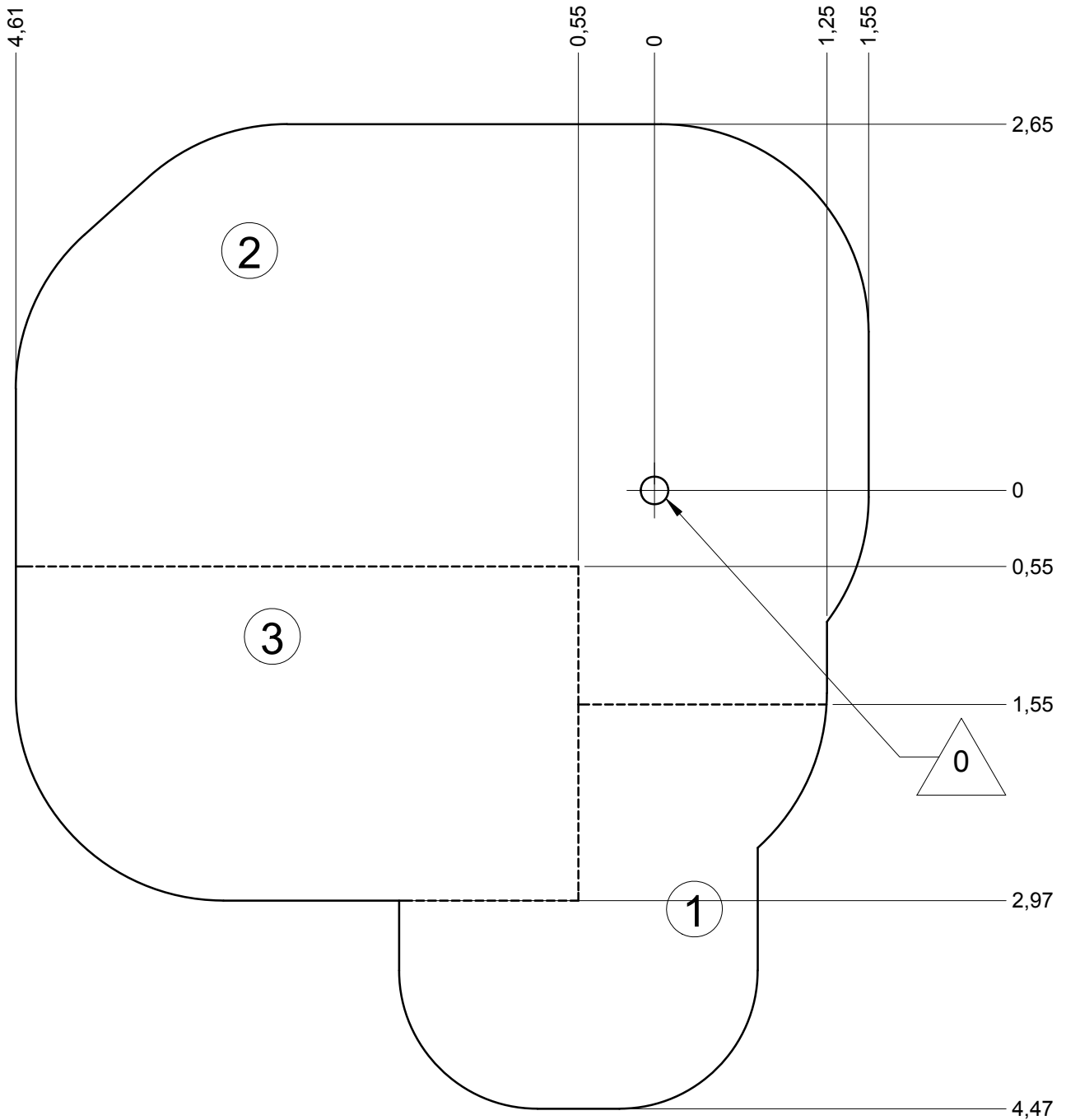
— Zone d'impact
 Impact area
 Area de impacto
 Fallraum
 Valzone

37 m²



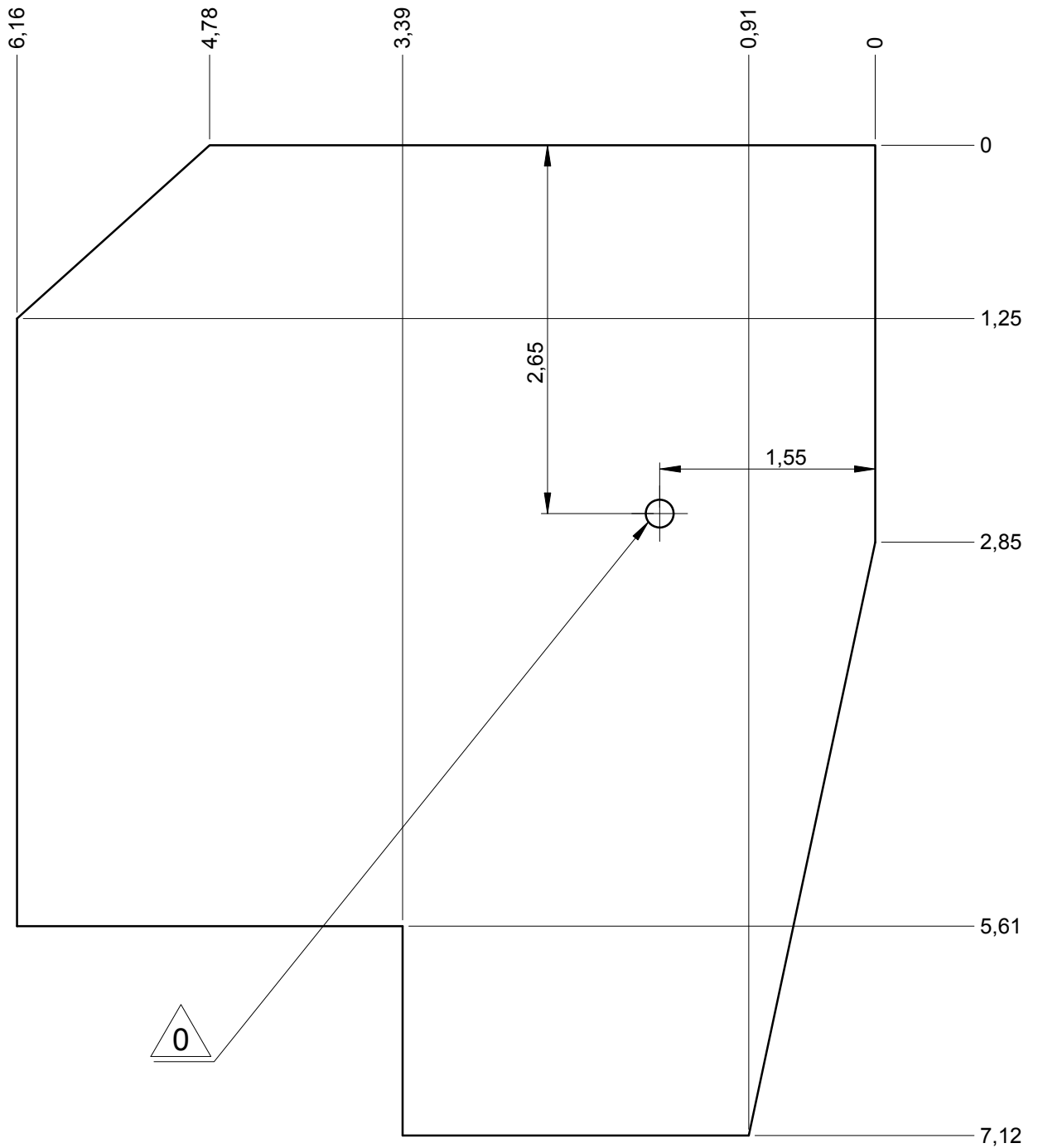
— Sol souple
 Wetpour
 Caucho continuo
 Synthetischer fallschutz
 Gietvloer

37 m²



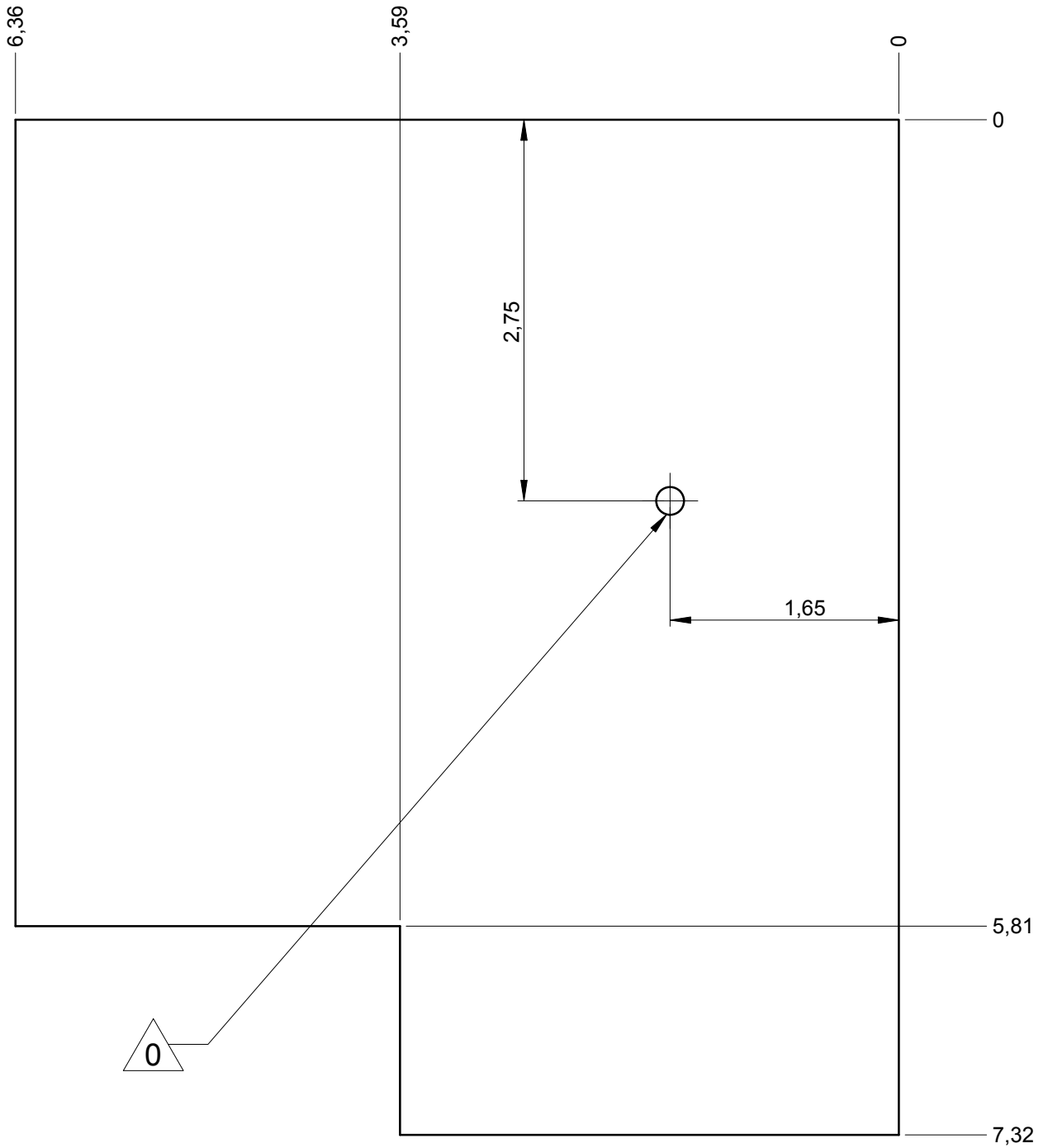
— Dalle béton
 Concrete pad
 Solera de hormigon
 Beton bodenplatte
 Betonnen bodemplaat

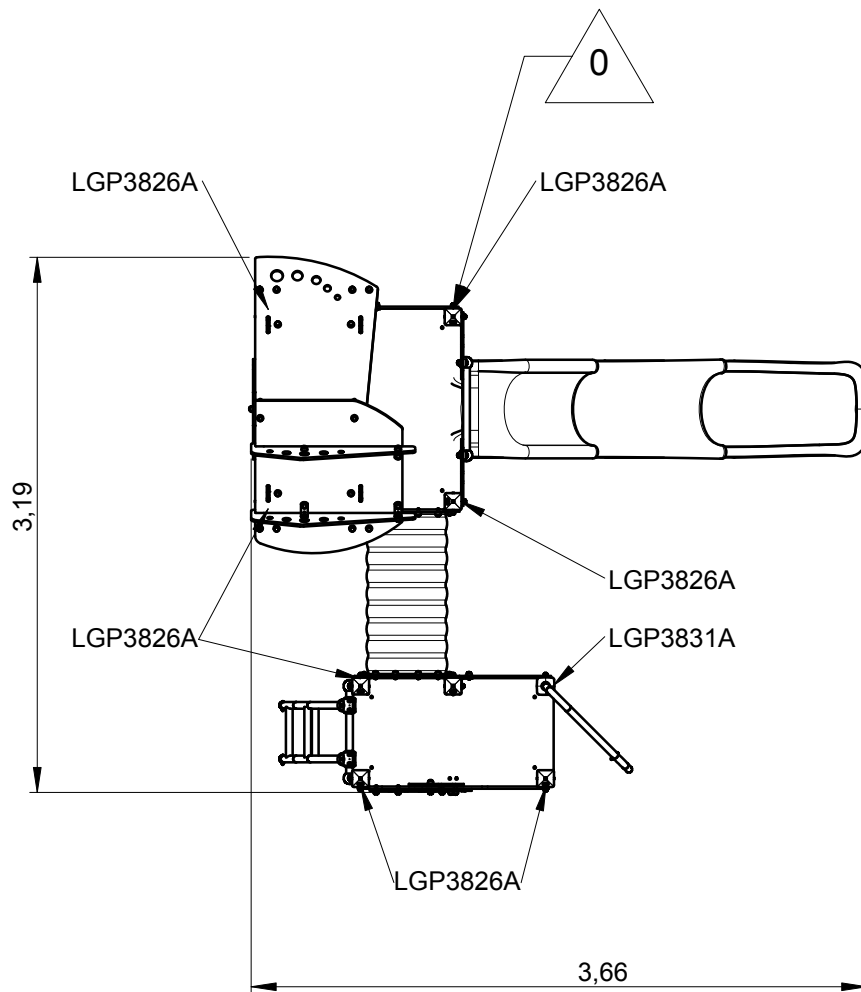
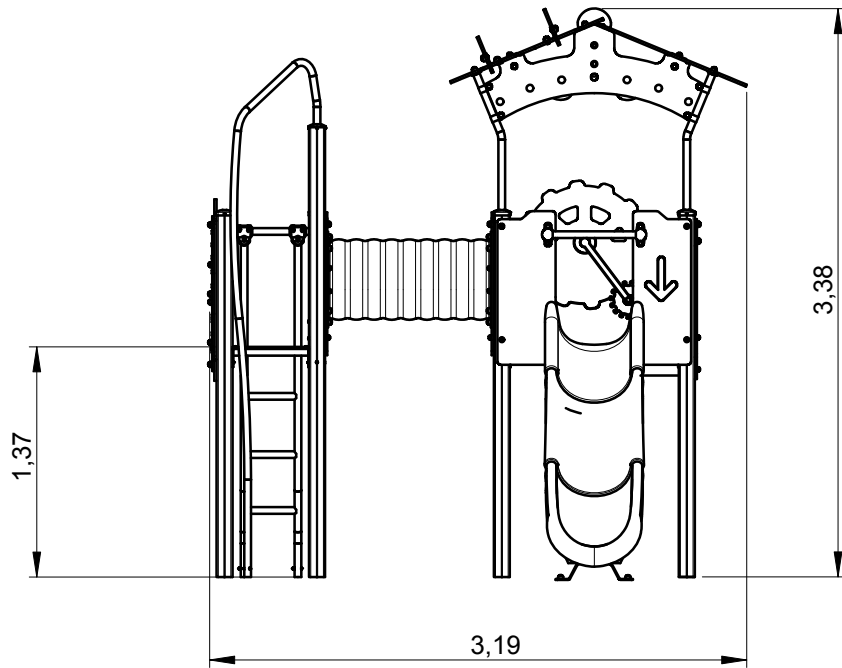
27 m
 39 m²



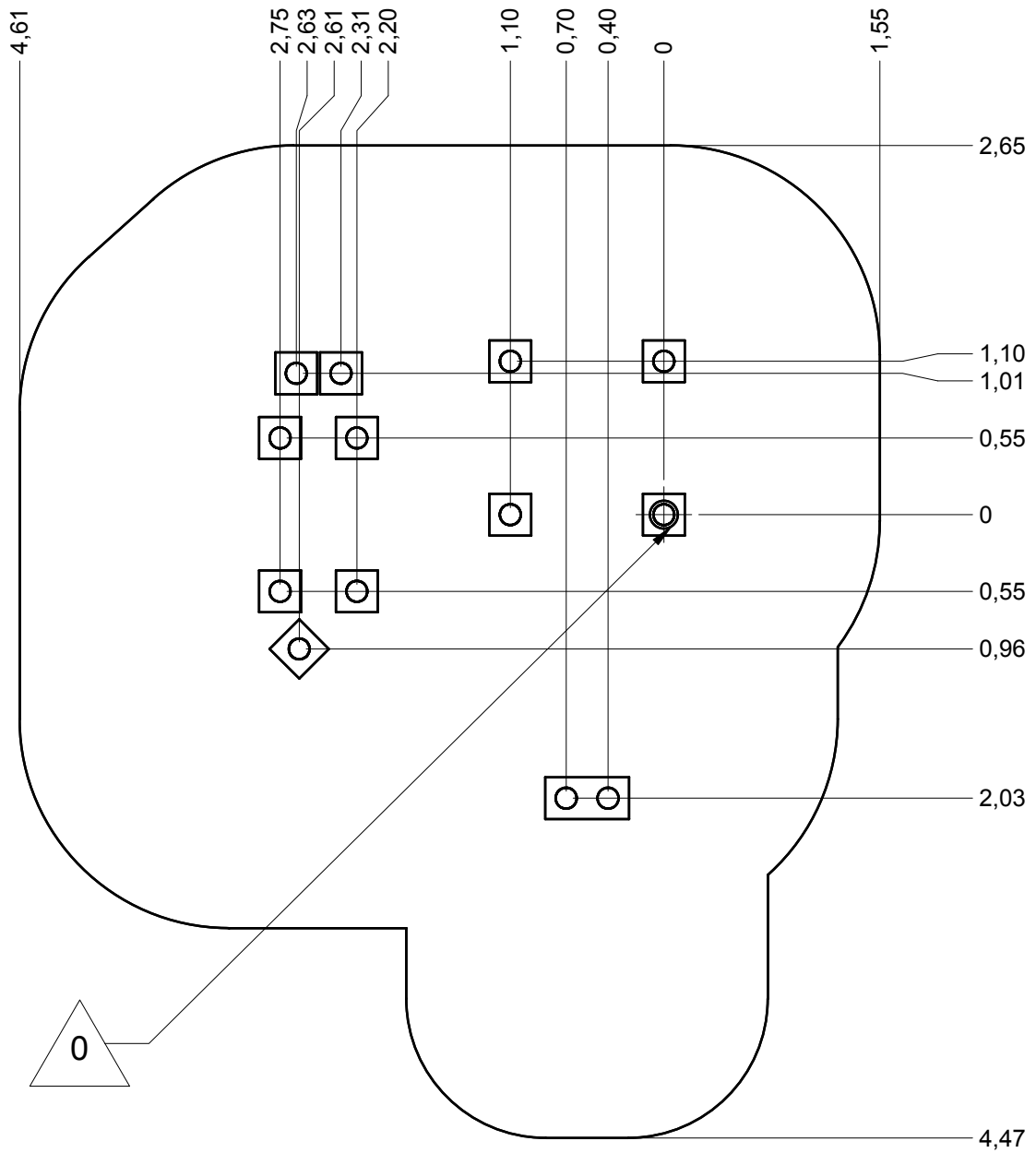
— Sol fluent
Loos partucule material
Arenero
Loses Bodenmaterial
Los bodemateriaal

29 m
44 m²

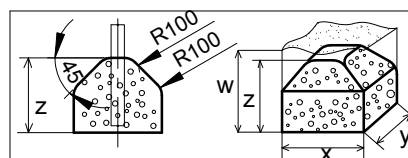







Implantation
 Footing plan
 Implantación
 Fundomentplan
 Funderingstekening

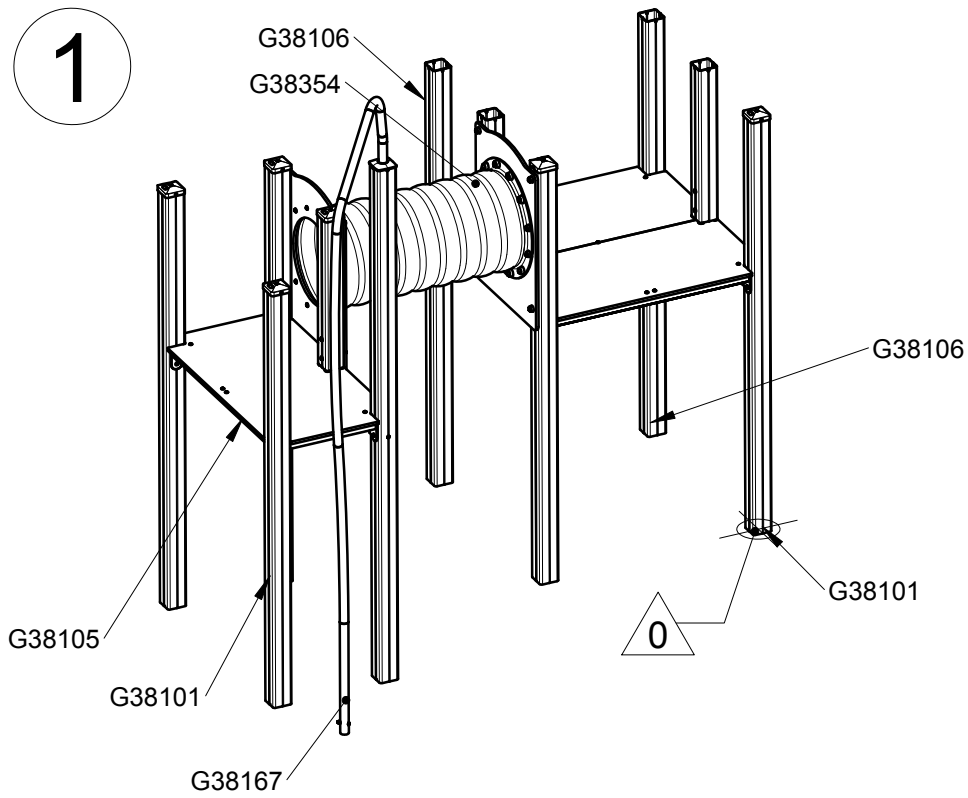


 x2
 12H
 0.35 m³

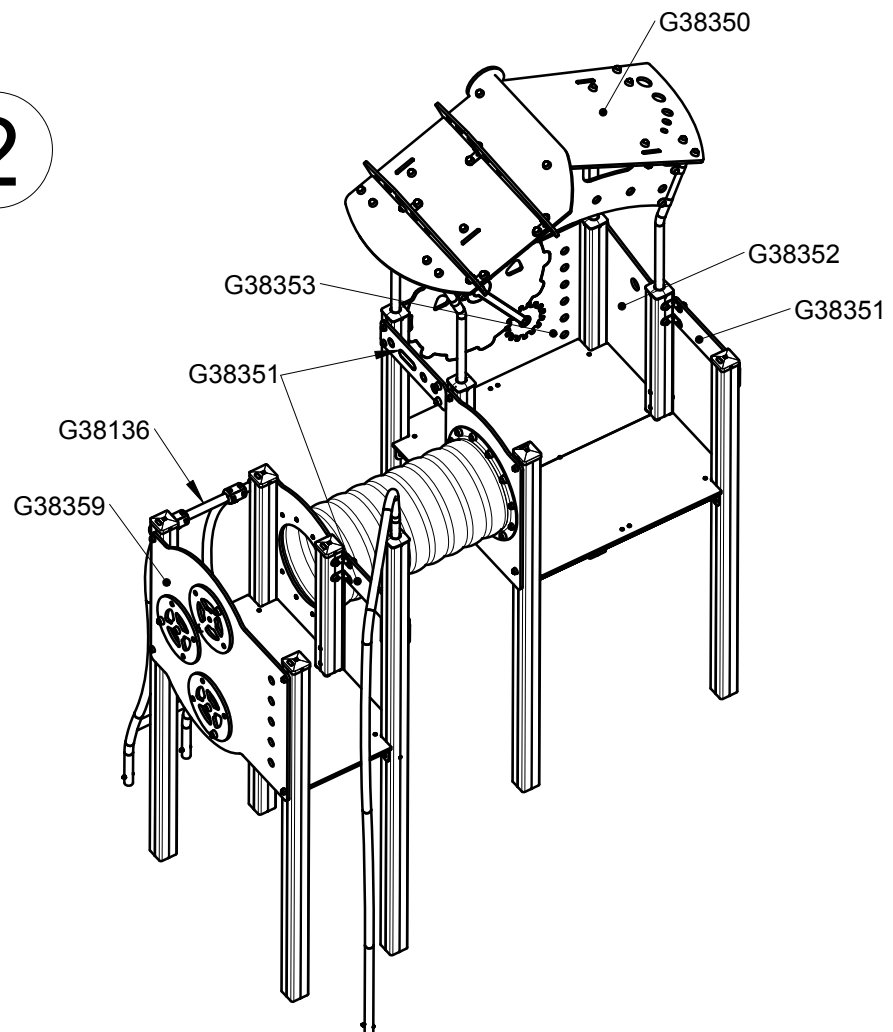


	x	y	z	w
	0.3	0.3	0.3	0.6
	0.4	0.4	0.3	0.6
	0.6	0.3	0.3	0.6

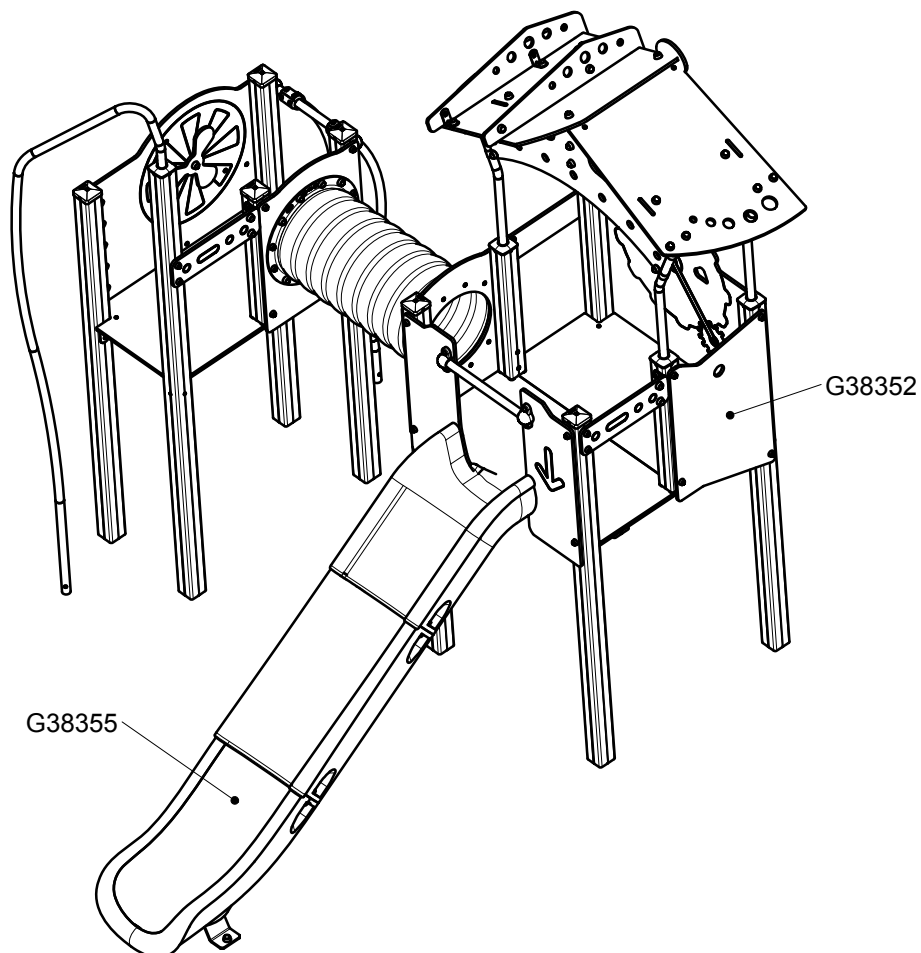
1



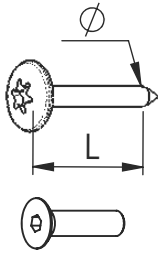
2



3

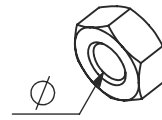


Réf	Qté
G38100	3
G38101	3
G38105	1
G38106	1
G38123	6
G38136	1
G38167	1
G38350	1
G38351	3
G38352	1
G38353	1
G38354	1
G38355	1
G38359	1

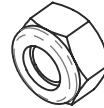


VBT 6 x 30
 \varnothing L (mm)

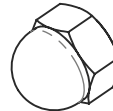
VFHC



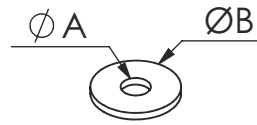
VEC M10
 \varnothing



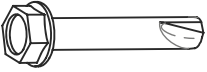
VEF




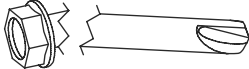
VEB



VR6x18
 $\varnothing A$ $\varnothing B$




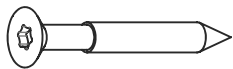
VTHA

1000 - 1800 tr/min
 Vitesse de rotation
 Rotation speed

14 N.m
 Couple de rupture
 Torque of break

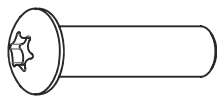




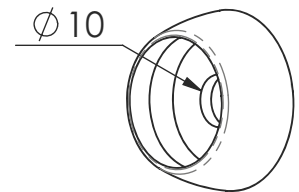
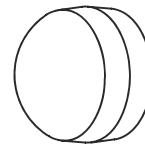
VWT



VGC

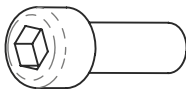


VCBHC

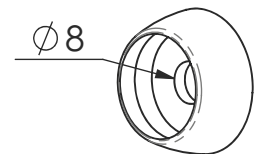
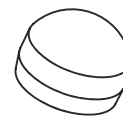


M10 440N

M10 310 N

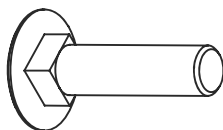


VBTR

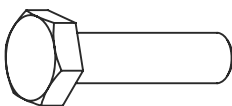


M8440N

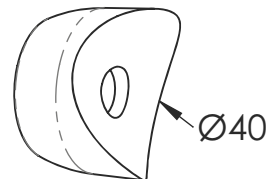
M8310N



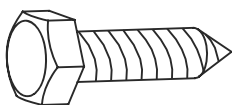
VTRCC



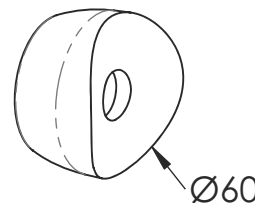
VTH



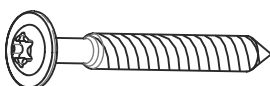
MI2503



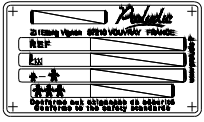
VTF



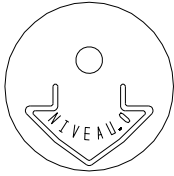
MI2701



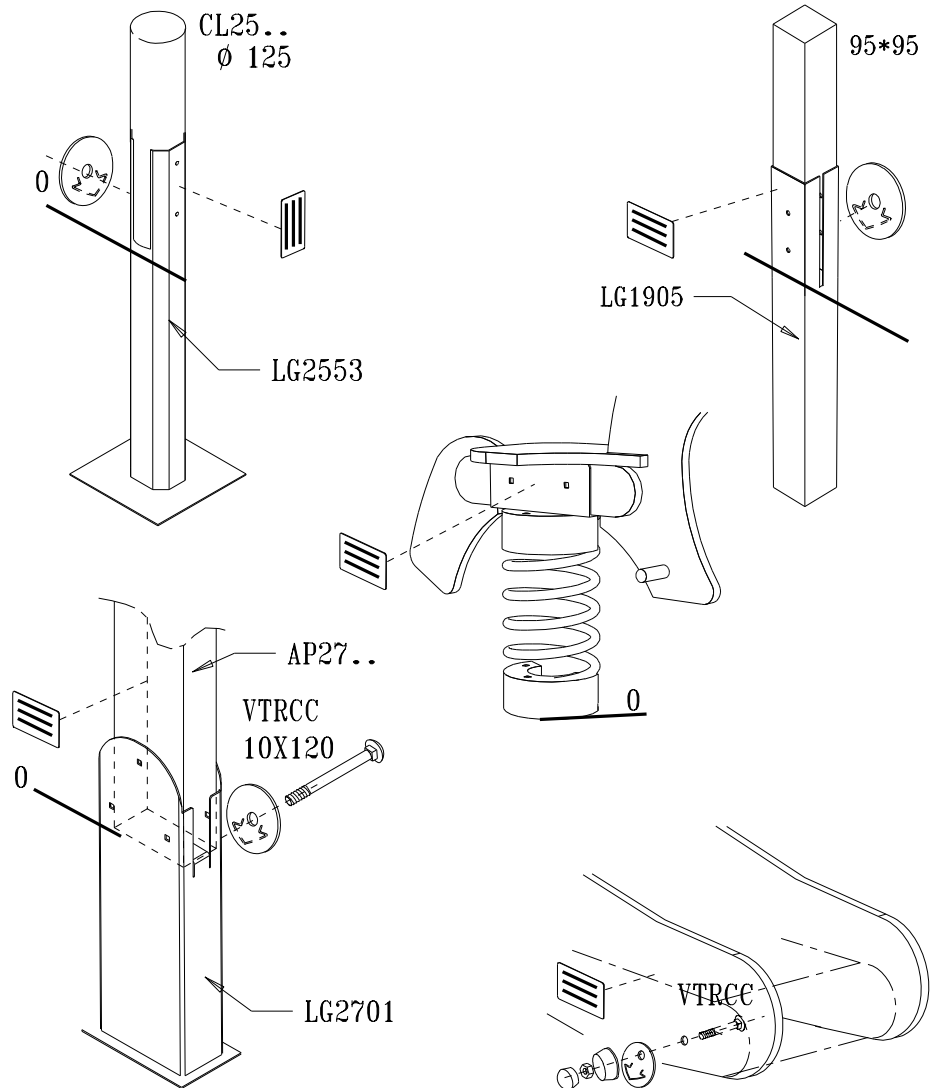
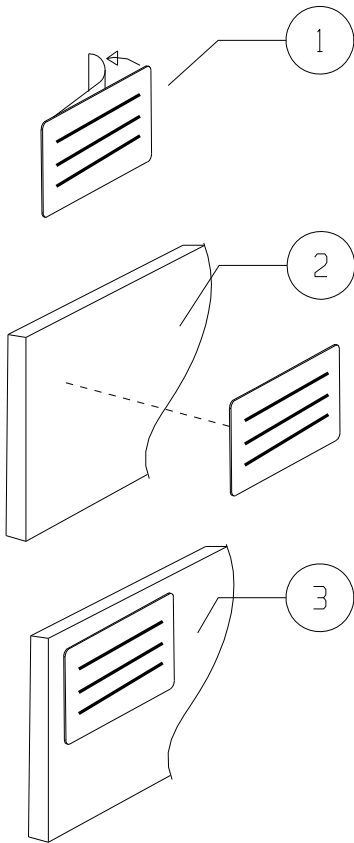
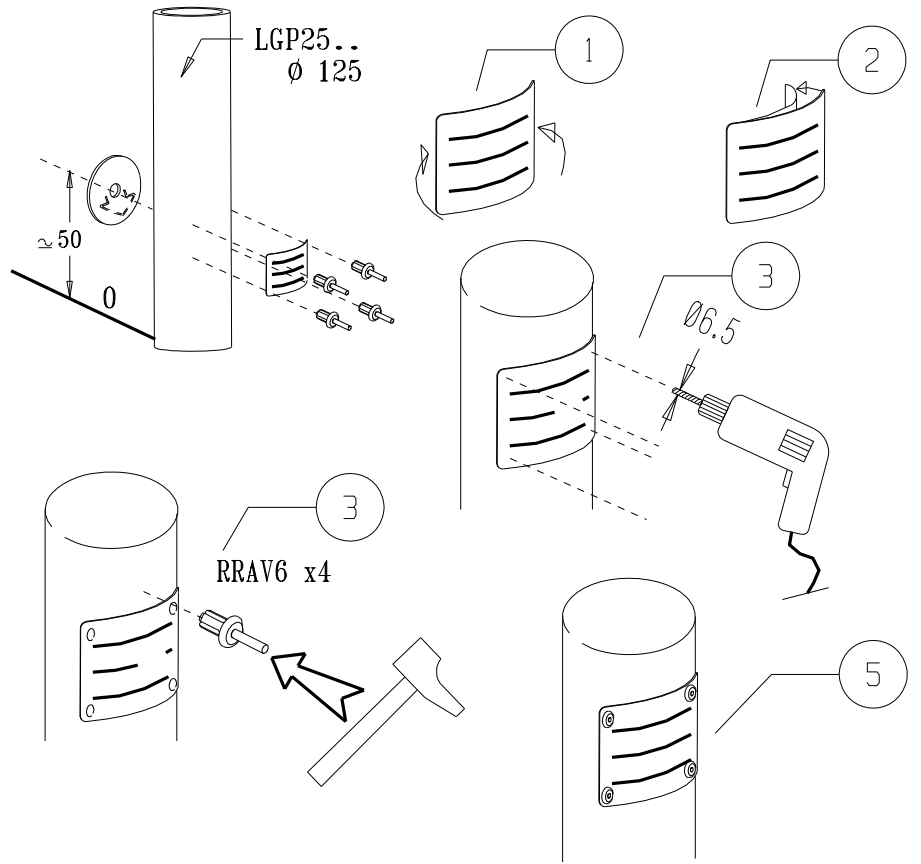
VBT



LA000

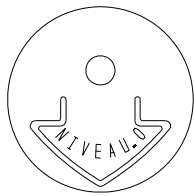


MI0002



A

Proludic



MI0002

VCBHCM10

M10310N
VEFM10
M10440N

LG08

M10440N
VEFM10
MI2503

LG3802

M10440N
VTH10*80
MI2503

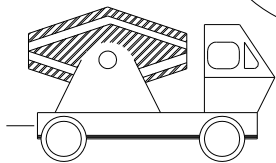
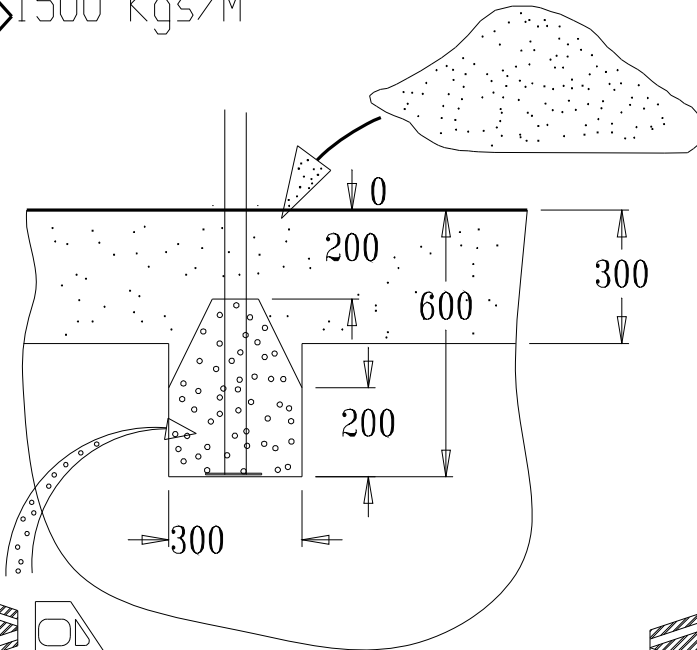
LG3804



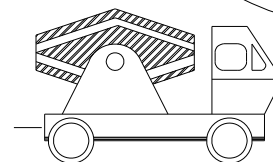
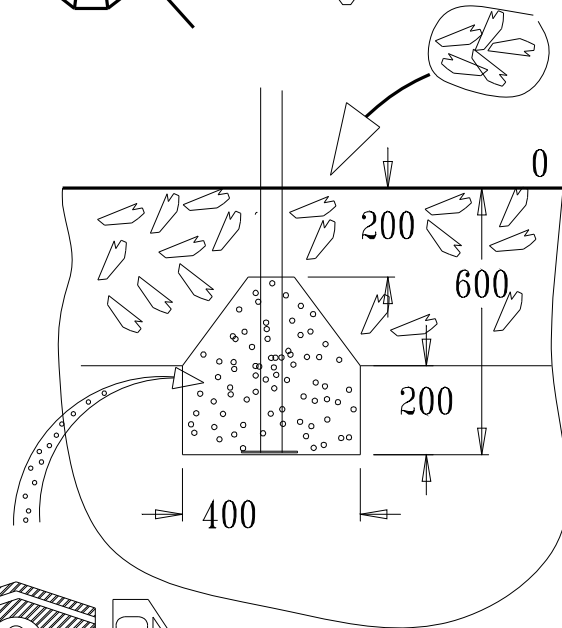
> 1500 Kgs/M³



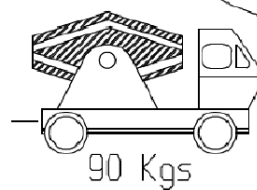
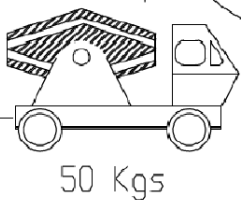
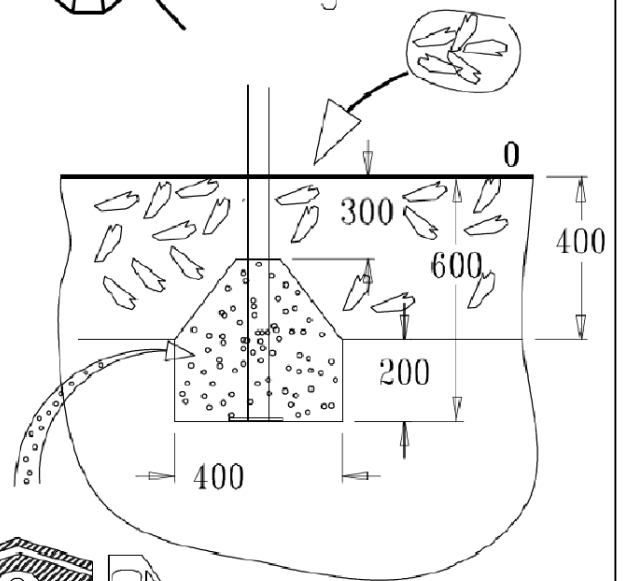
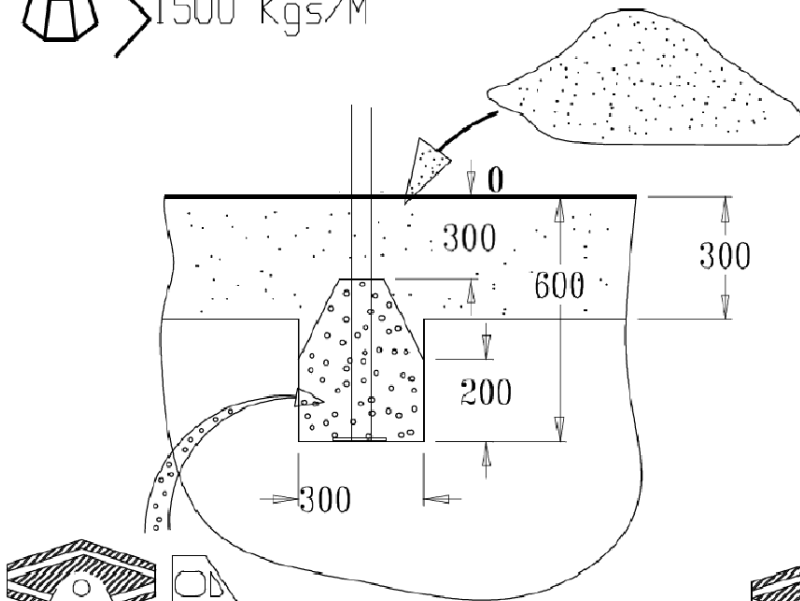
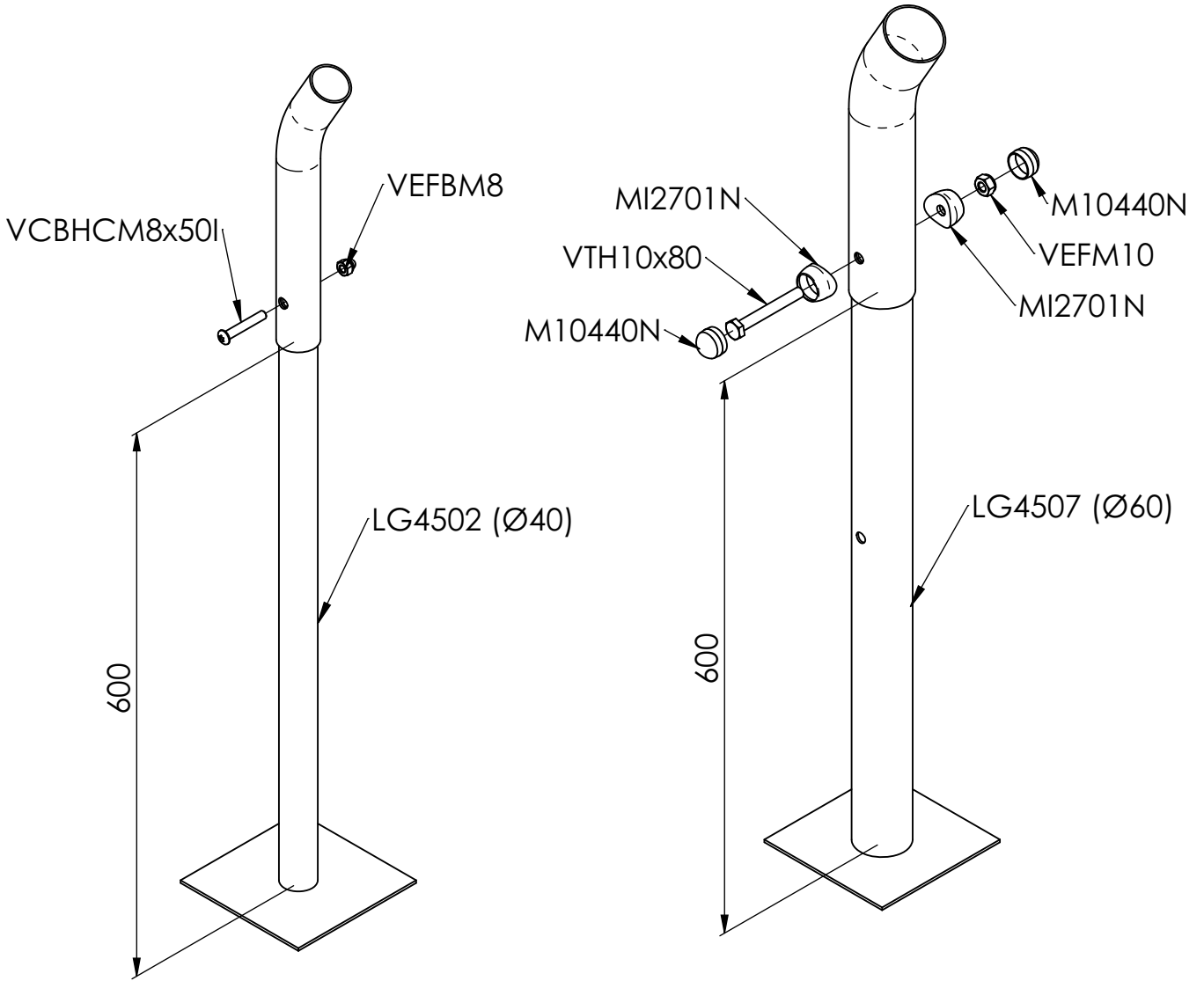
< 1500 Kgs/M³

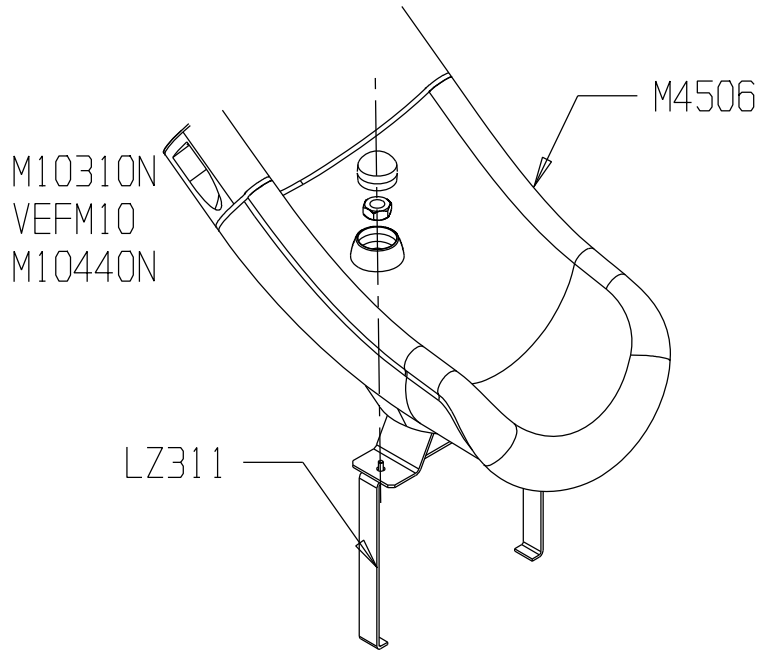


50 Kgs

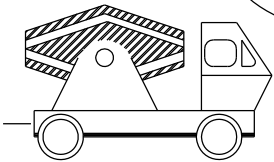
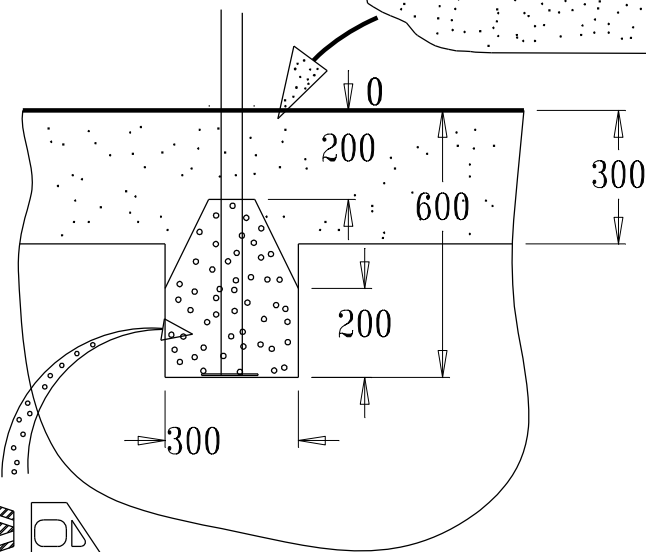
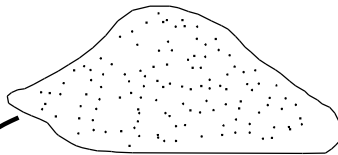


90 Kgs





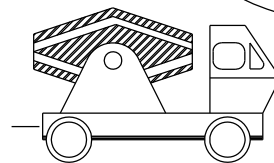
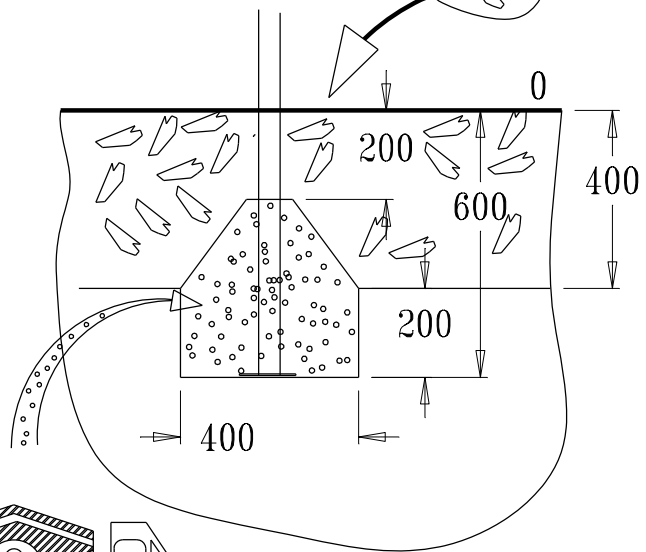
> 1500 Kgs/M³



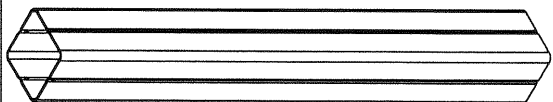
50 Kgs



< 1500 Kgs/M³



90 Kgs

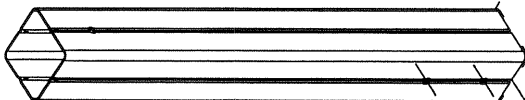


1

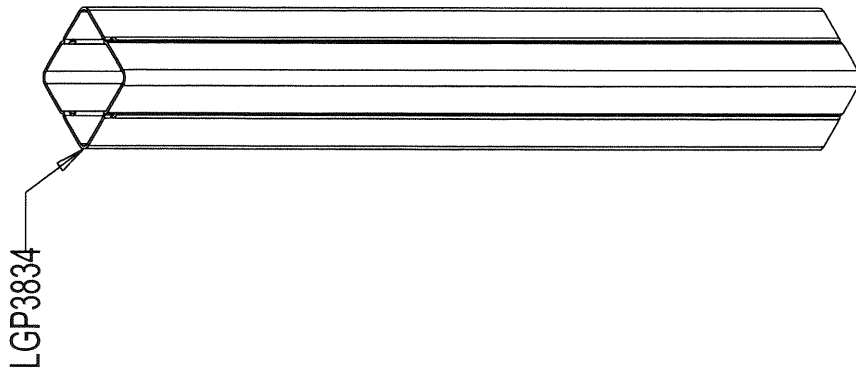


VCBHC8*30I
X2

2

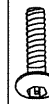
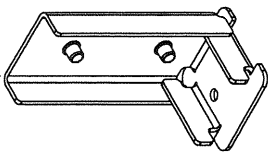


VCBHC10*30I
X2



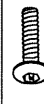
LGP3834

LG3812



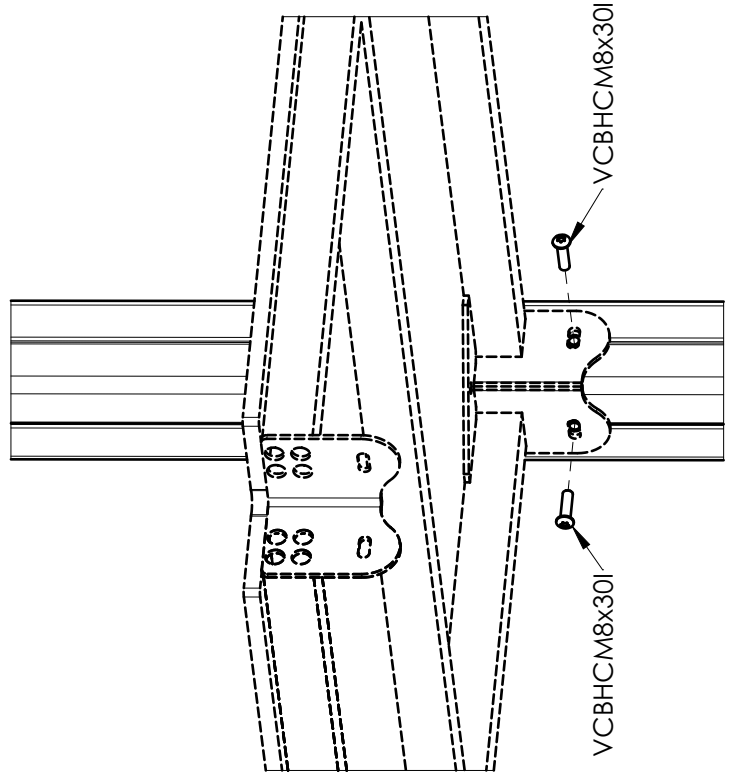
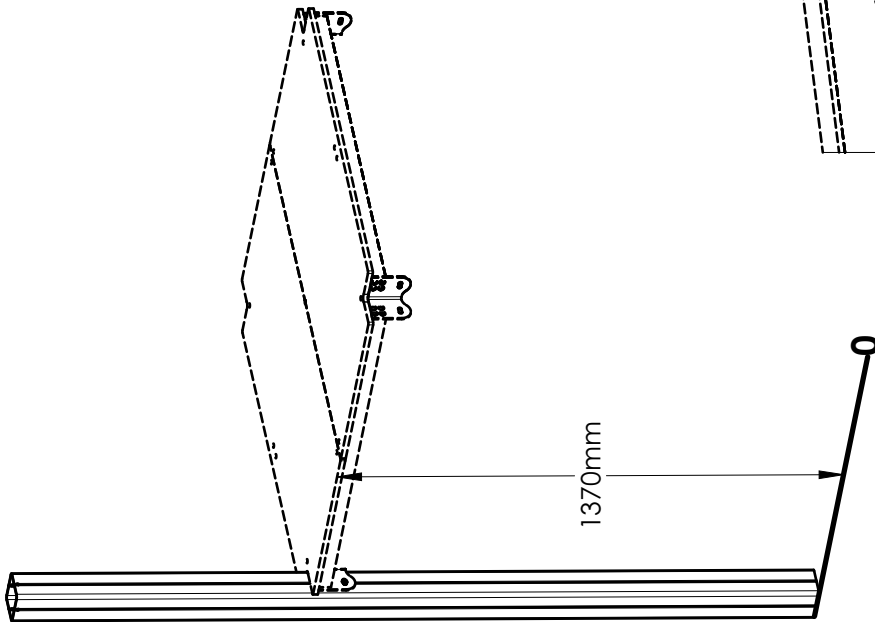
VCBHC10X30I

2

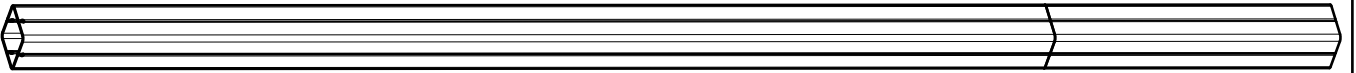


VCBHC8X30I

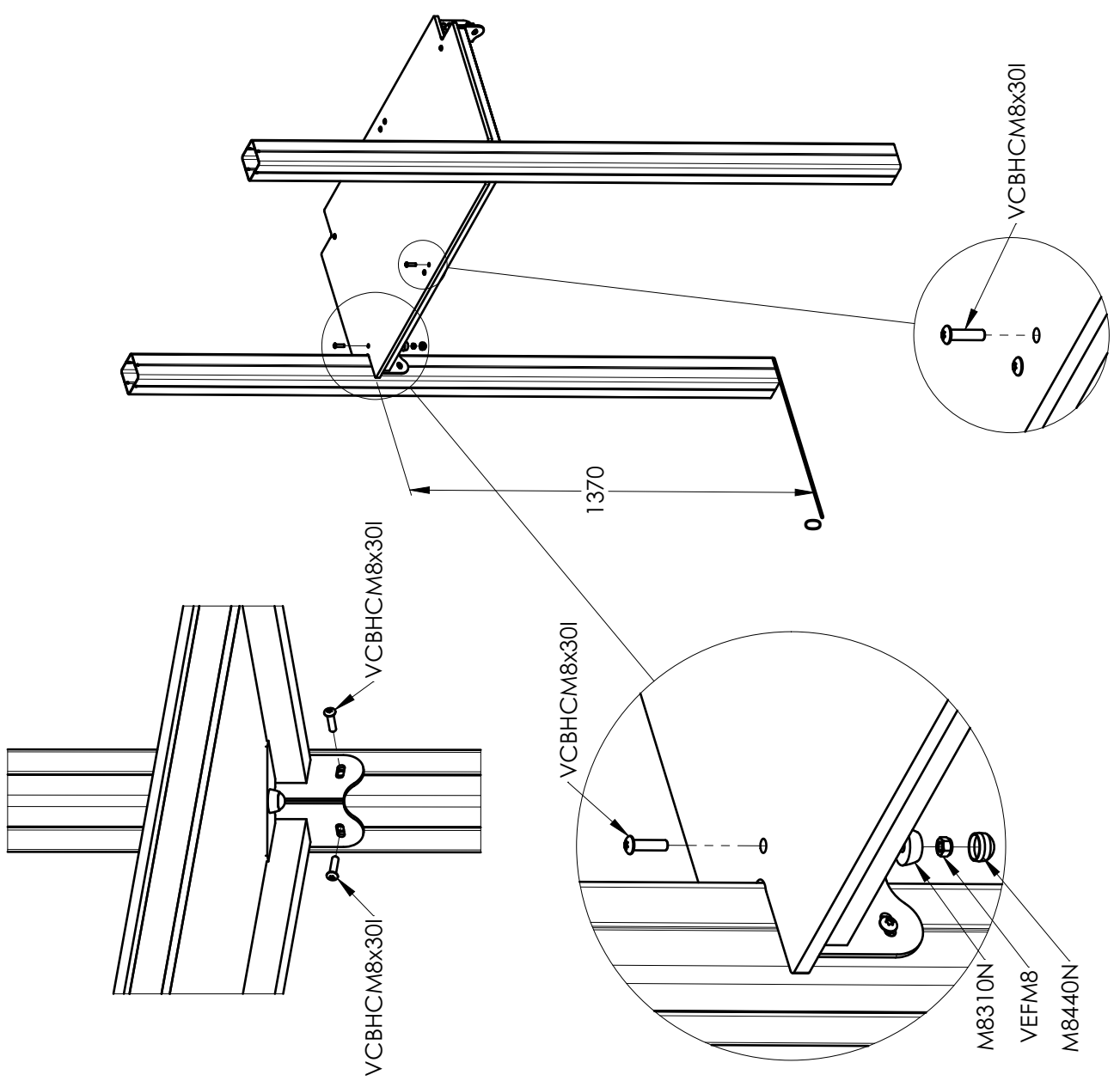
2



U3849A



Réf	Qté
VCBHCM8x30I	2
U3849A	1



U3849A

LG3813

FT3858

Réf	Qté
FT3858	1
LG3813	1
M8310N	4
M8440N	4
U3849A	2
VCBHCM8x30I	16
VEFM8	4

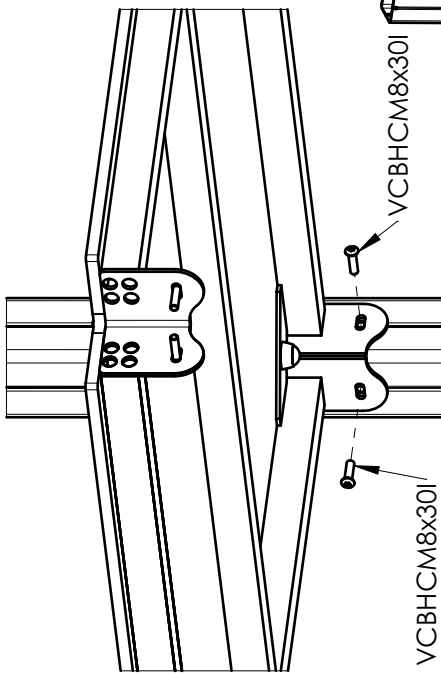
G38106A

HT 1370mm

1 / 1

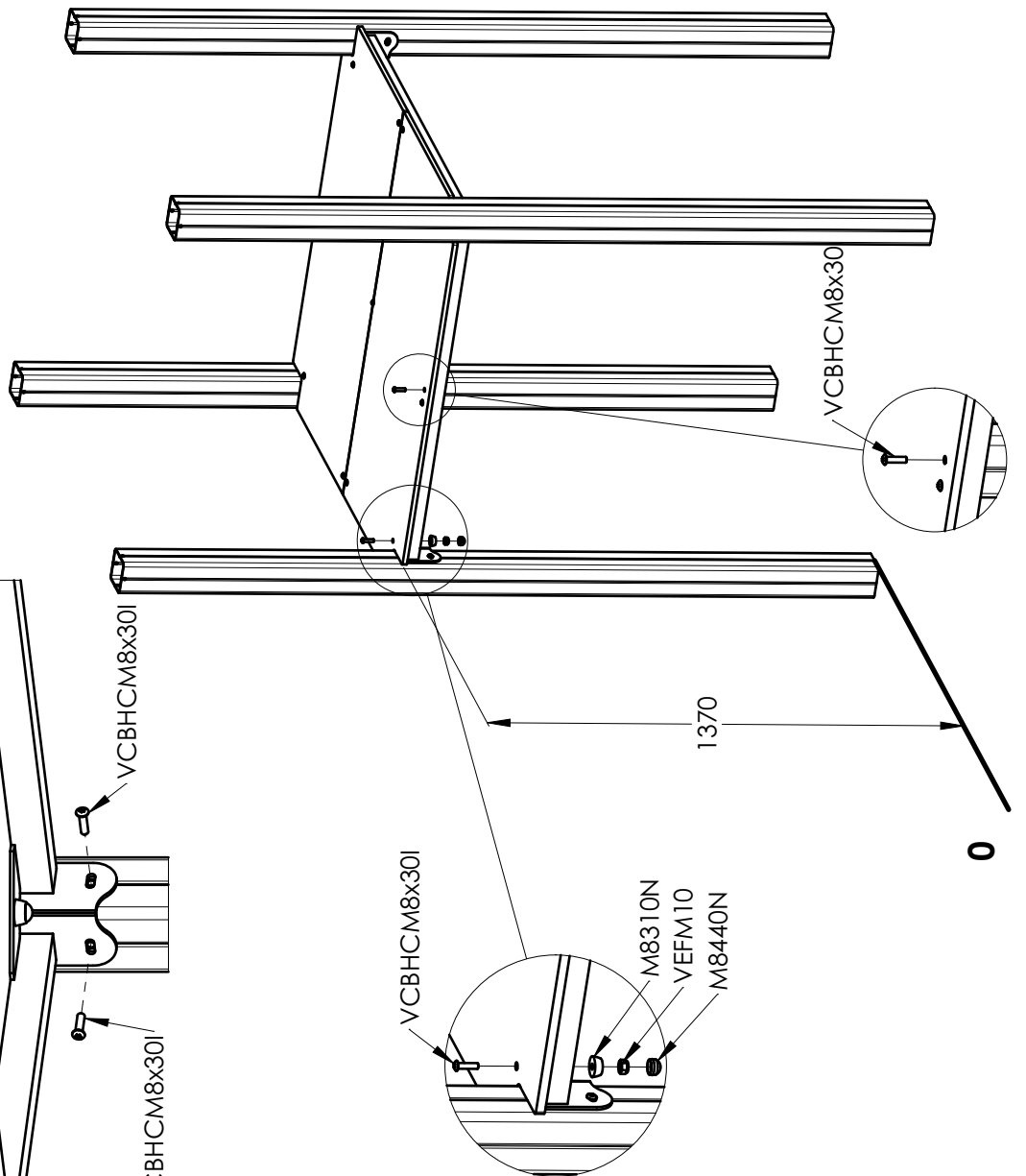
01/10/2017

Proledic



VCBHCM8x30I

VCBHCM8x30I

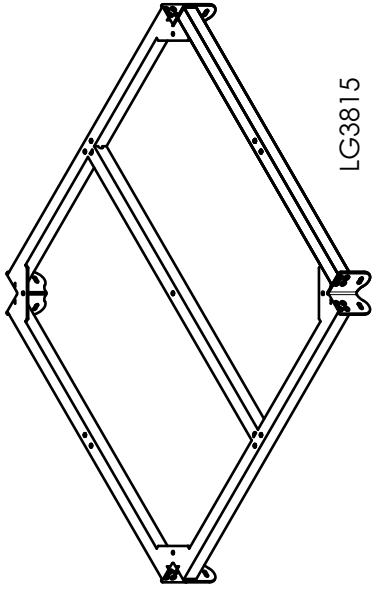


1370

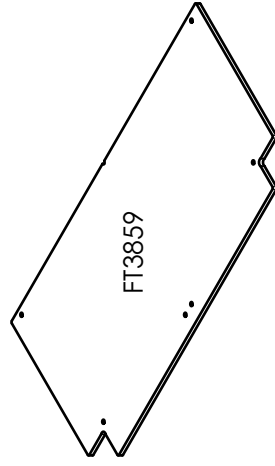
0

VCBHCM8x30I
M8310N
VEFM10
M8440N

VCBHCM8x30

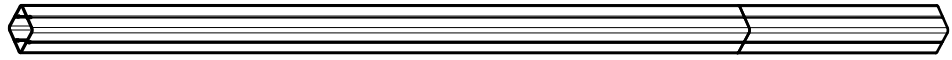


LG3815

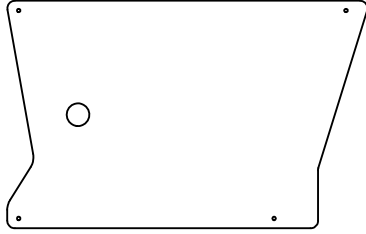
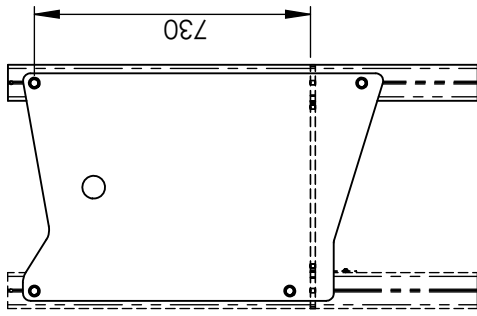


FT3859

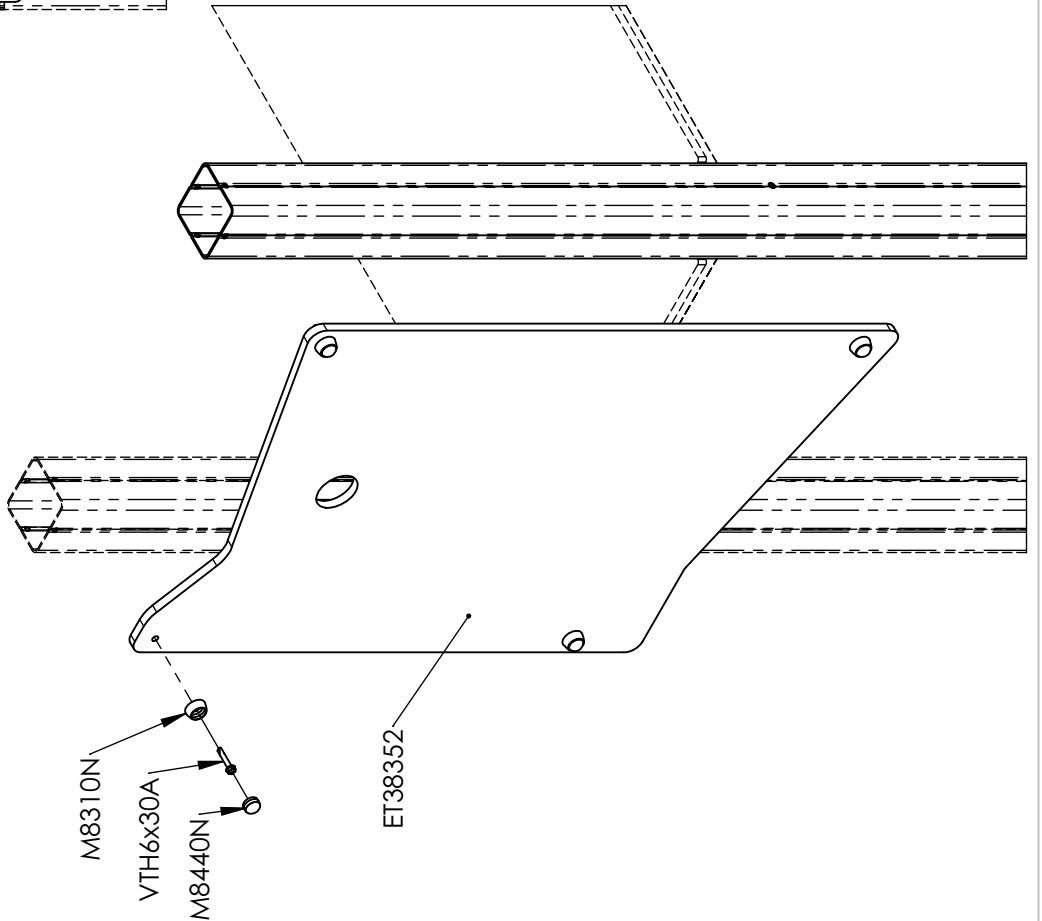
U3849A



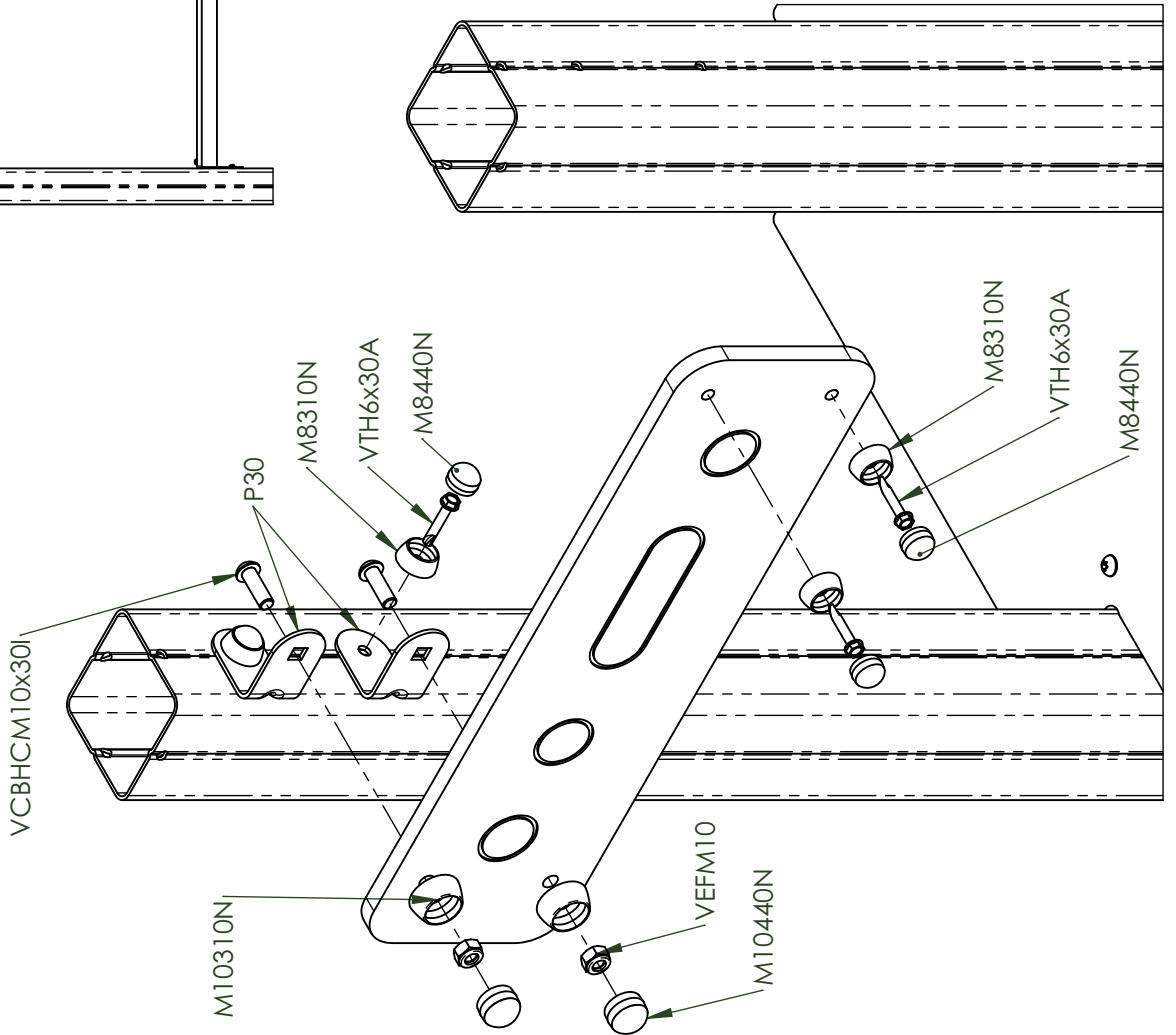
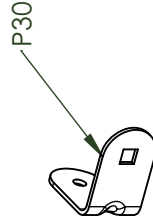
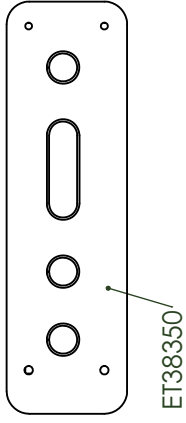
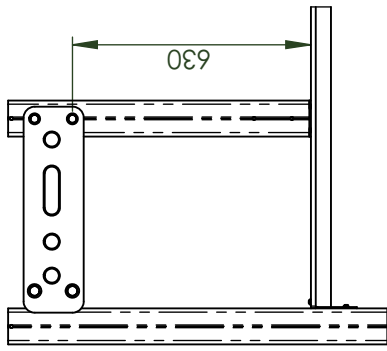
Réf	Qté
FT3859	2
LG3815	1
M8310N	4
M8440N	4
U3849A	2
VCBHCM8x30I	21
VEFM10	4



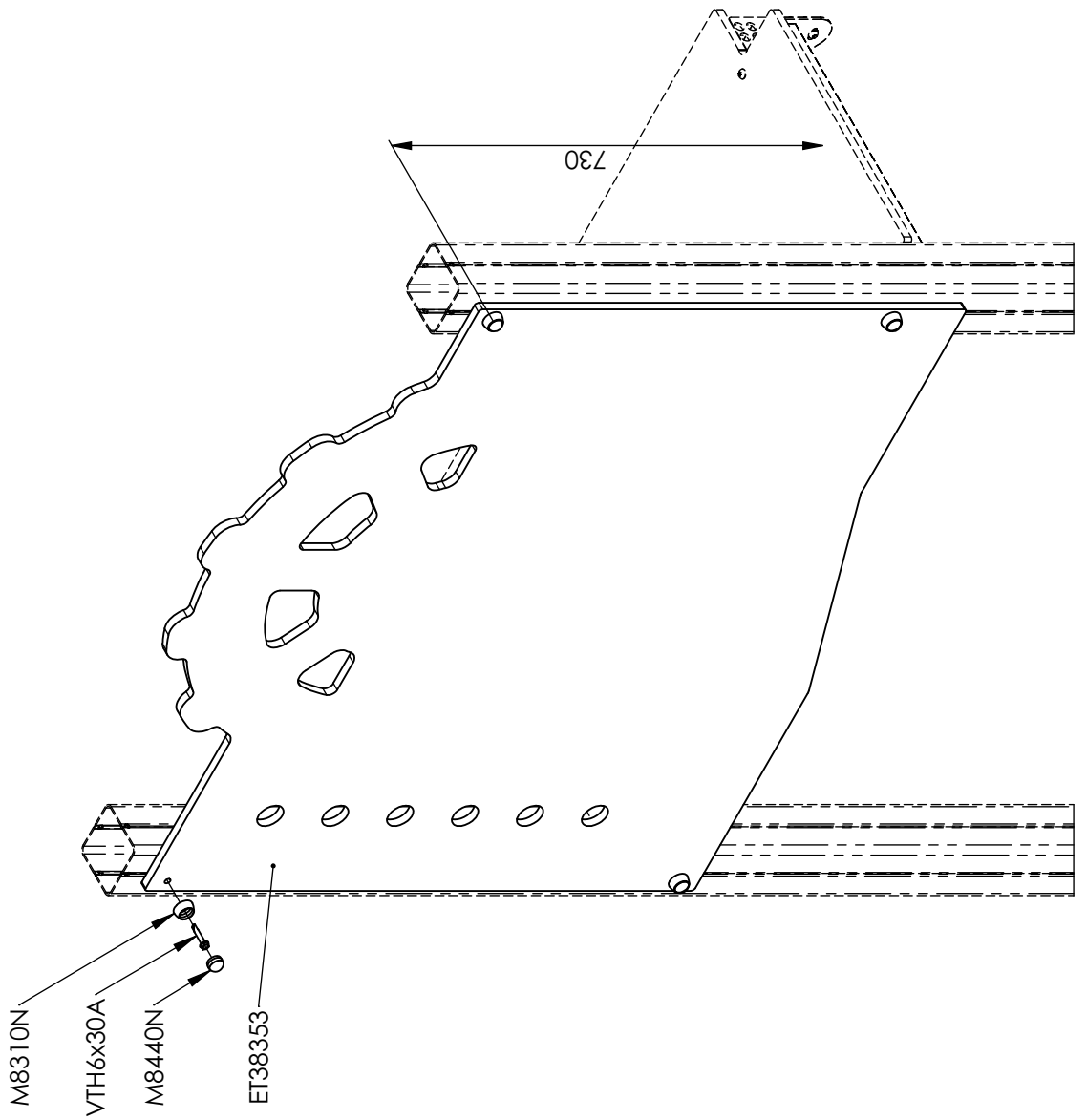
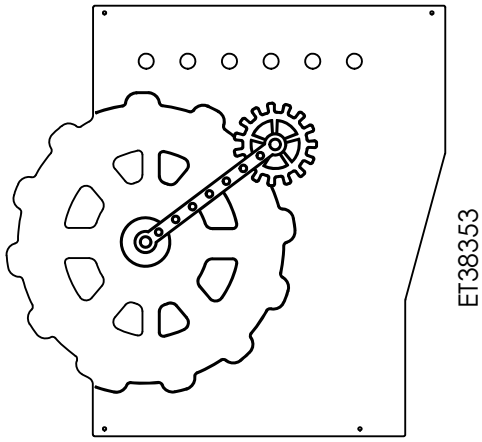
ET38352



Réf	Qté
ET38352PL	1
M8310N	4
M8440N	4
VTH6x30A	4



Réf	Qté
M8310N	4
M8440N	4
M10310N	2
M10440N	2
P30	2
VCBHCM10x30I	2
VEFM10	2
VTH6x30A	4
ET38350C	1

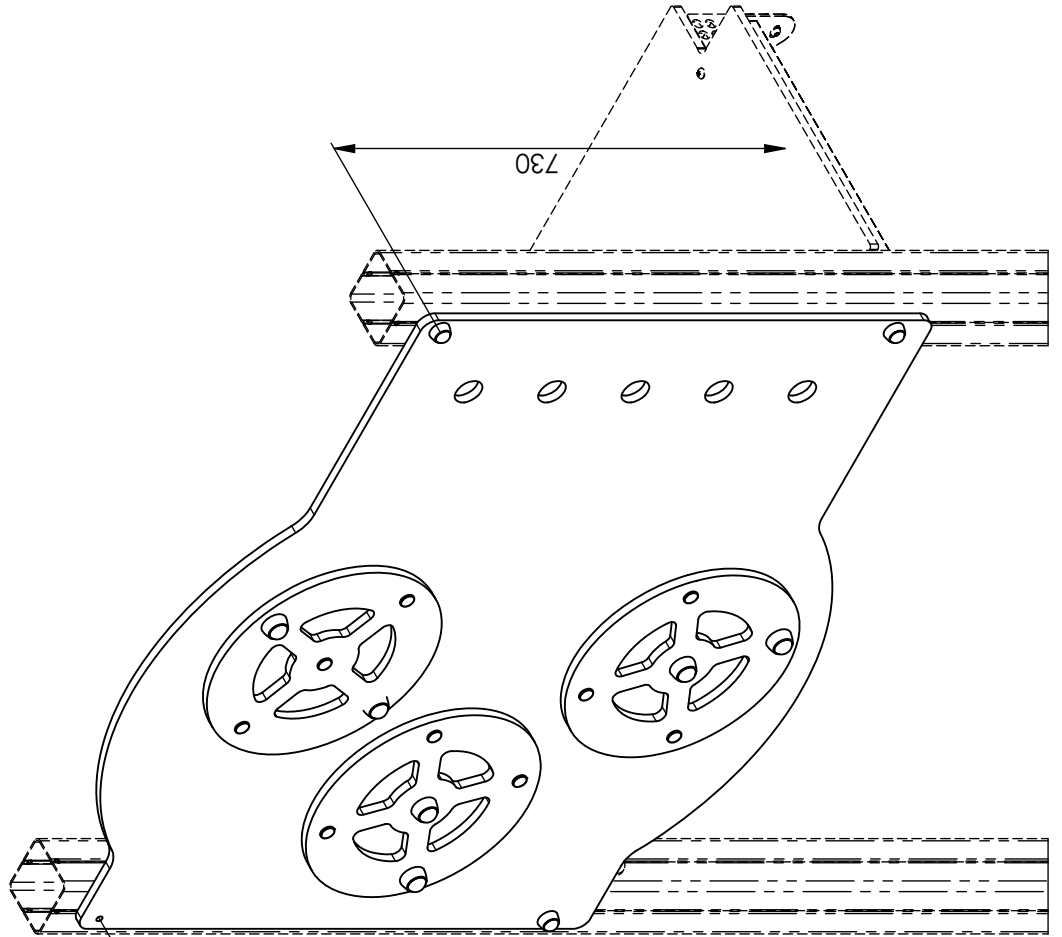


Réf	Qté
ET38353GA	1
M8440N	4
M8310N	4
VTH6x30A	4

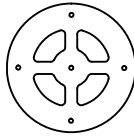
M8310N

VTH6x30A

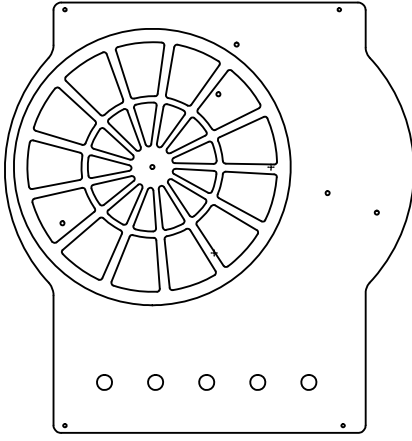
M8440N



ET38308



ET38310



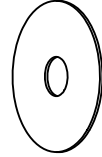
ET38354



MU4700

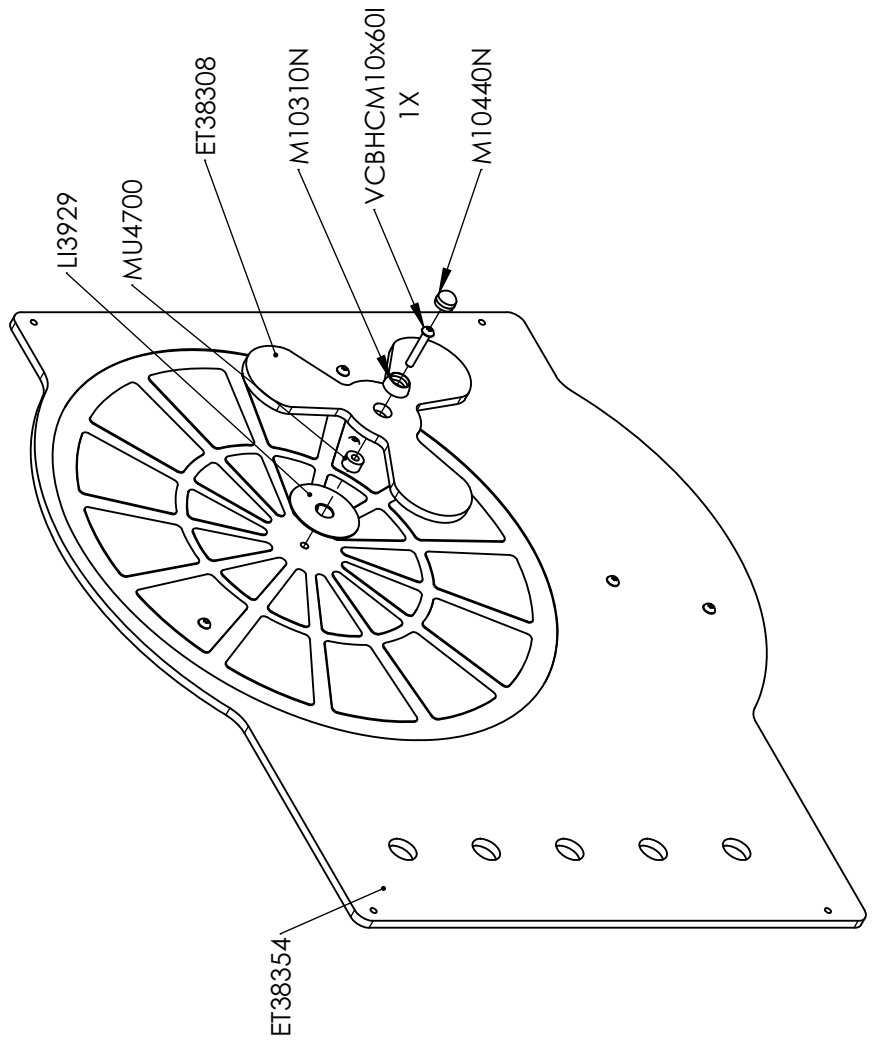
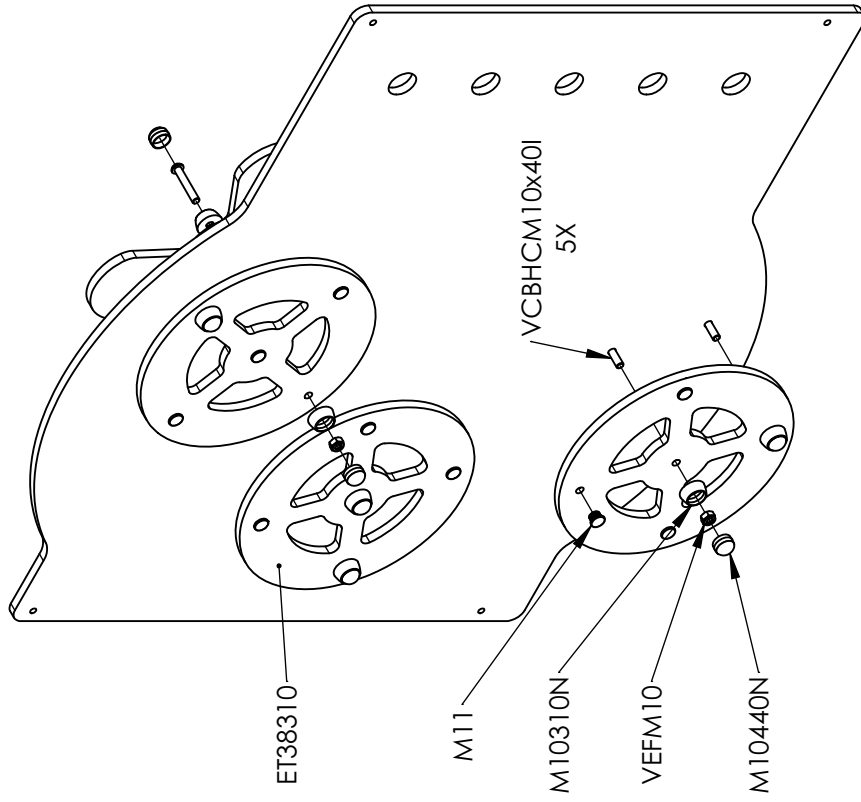


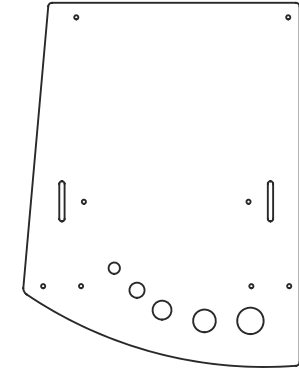
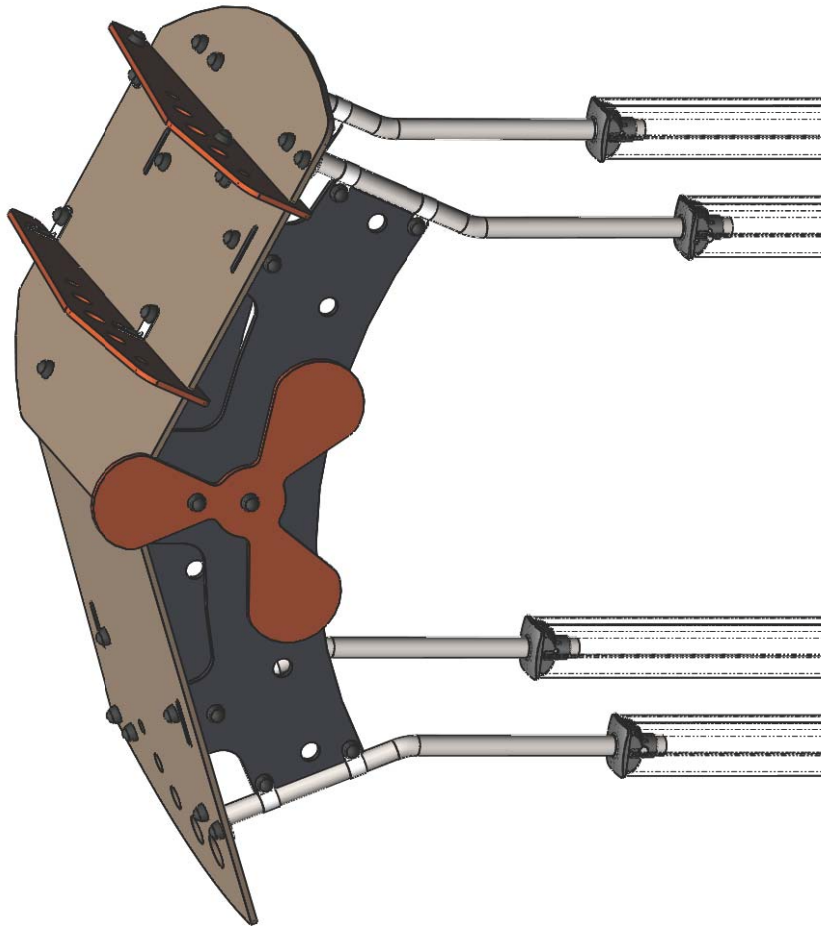
M11



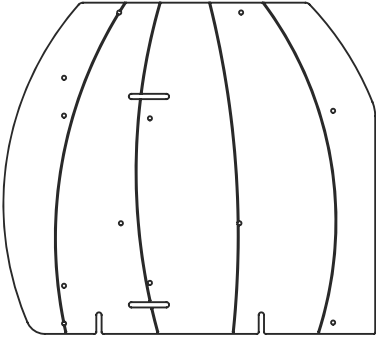
LI3929

Réf	Qté
ET38308GA	1
ET38310C	3
ET38354C	1
LI3929	1
M11	9
M8310N	4
M8440N	4
M10310N	7
M10440N	7
MU4700	1
VCBHC10x40I	5
VCBHC10x60I	1
VEFM10	6
VTH6x30A	4

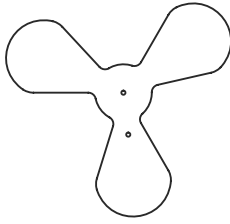




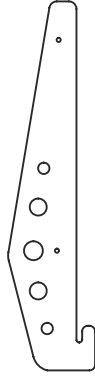
ET38357



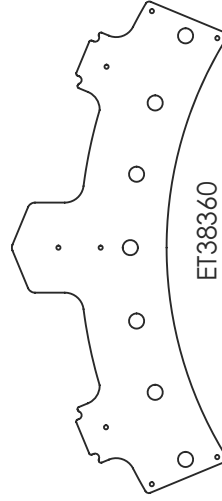
ET38358



ET38304



ET38359



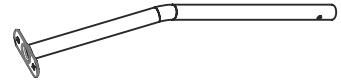
ET38360



P13



LI4505



LI38300

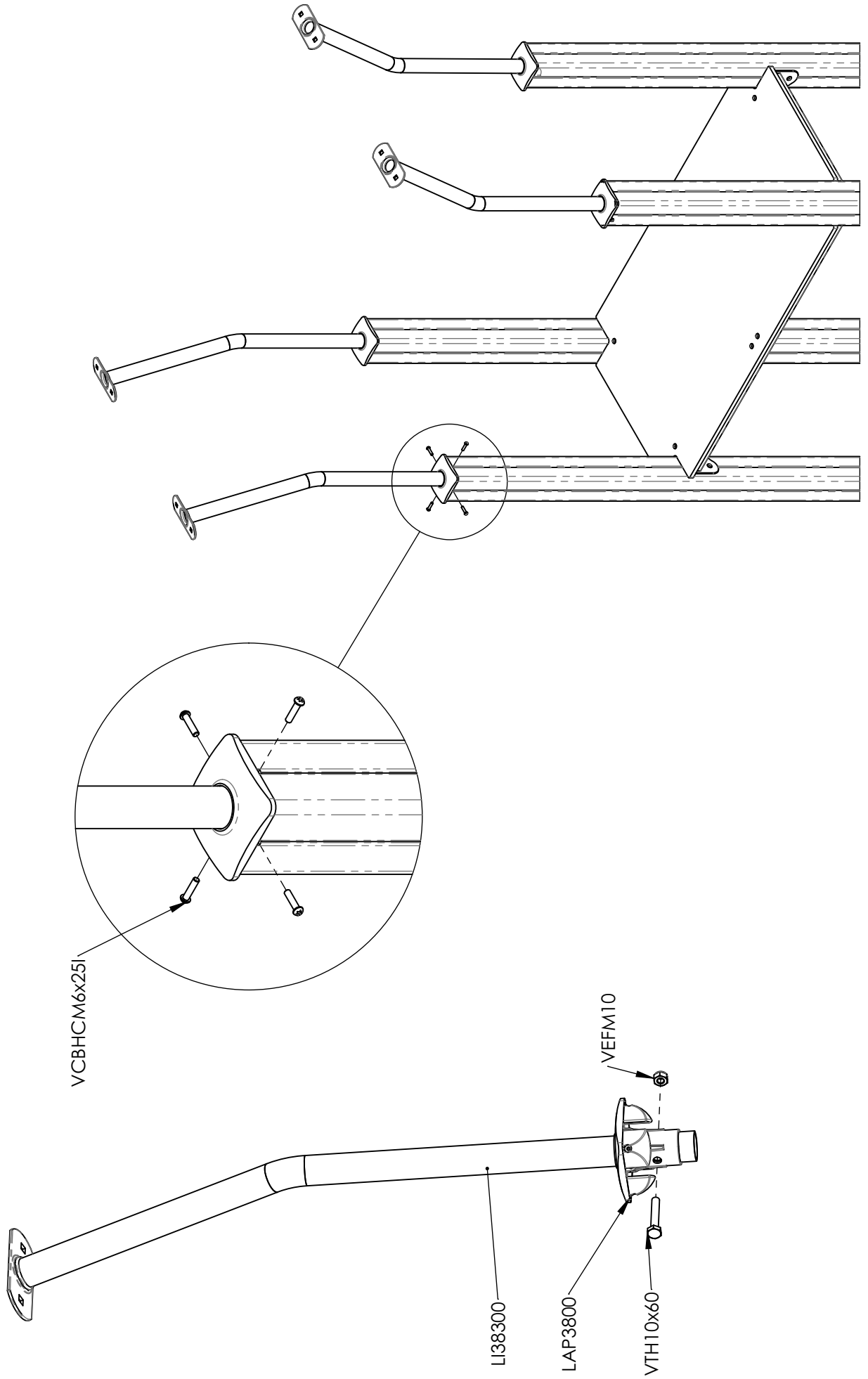


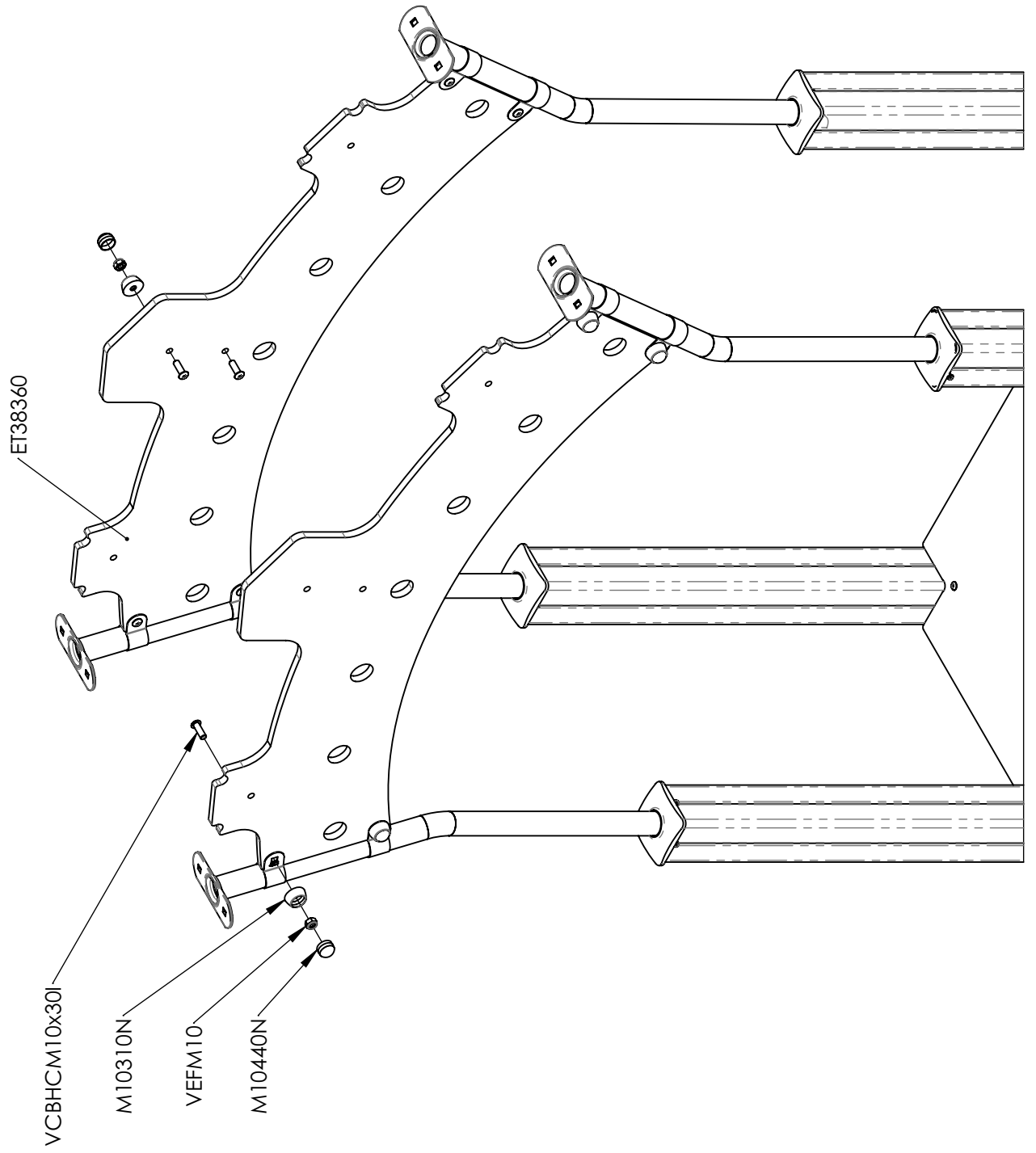
P135

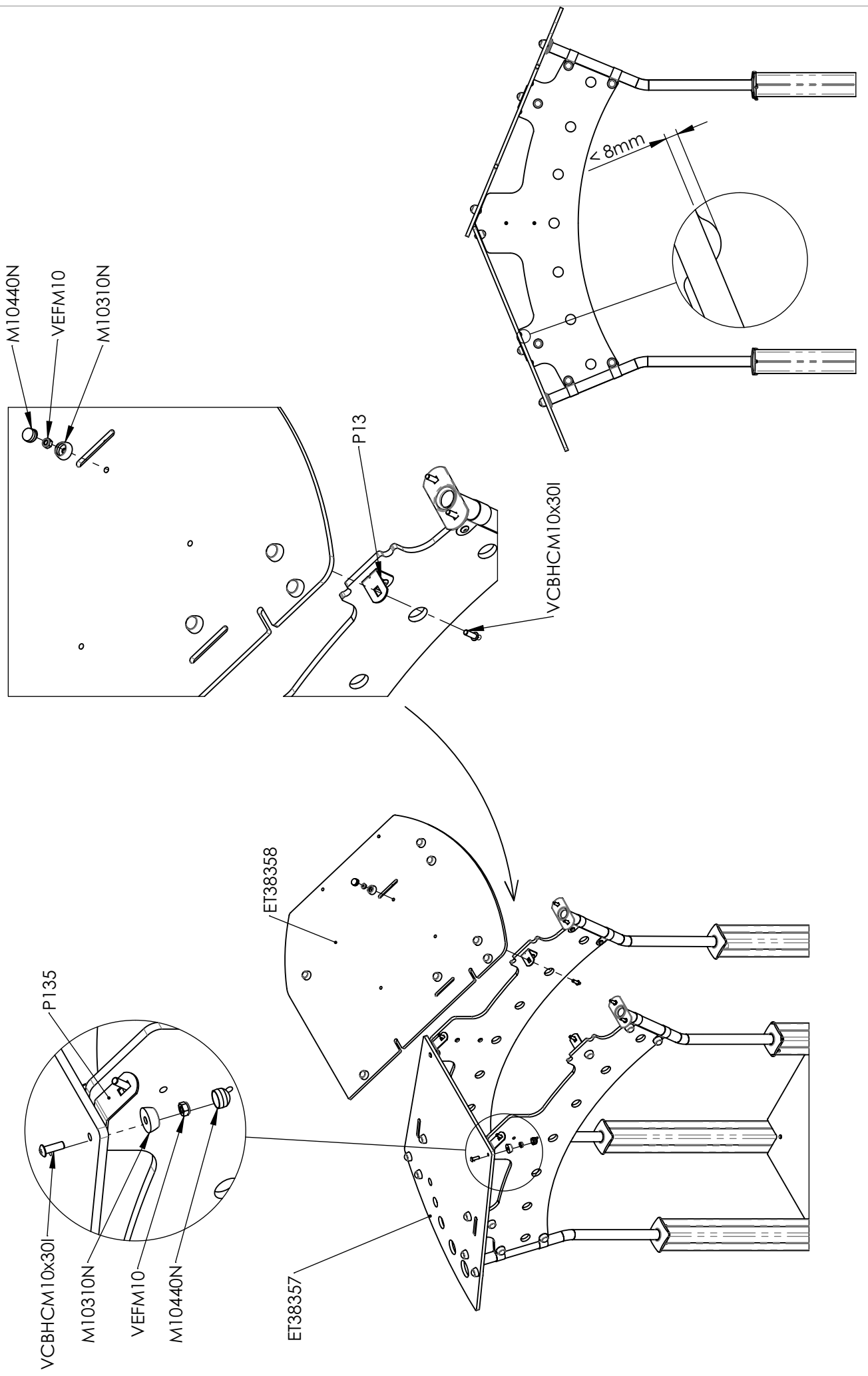


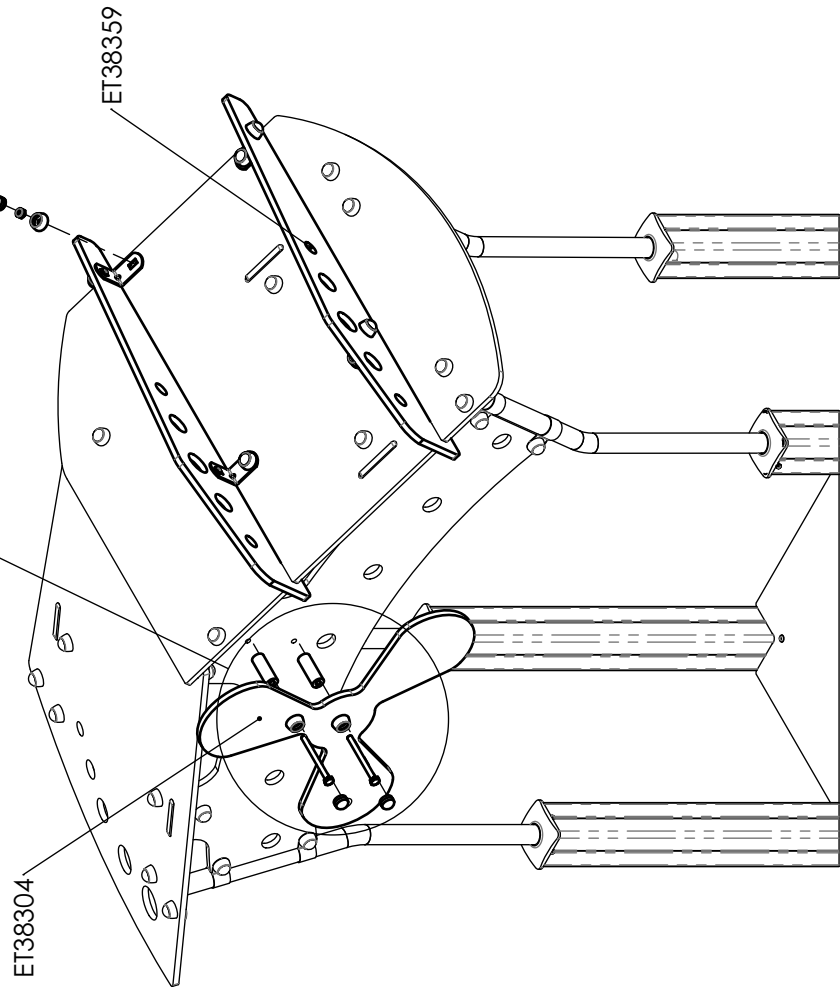
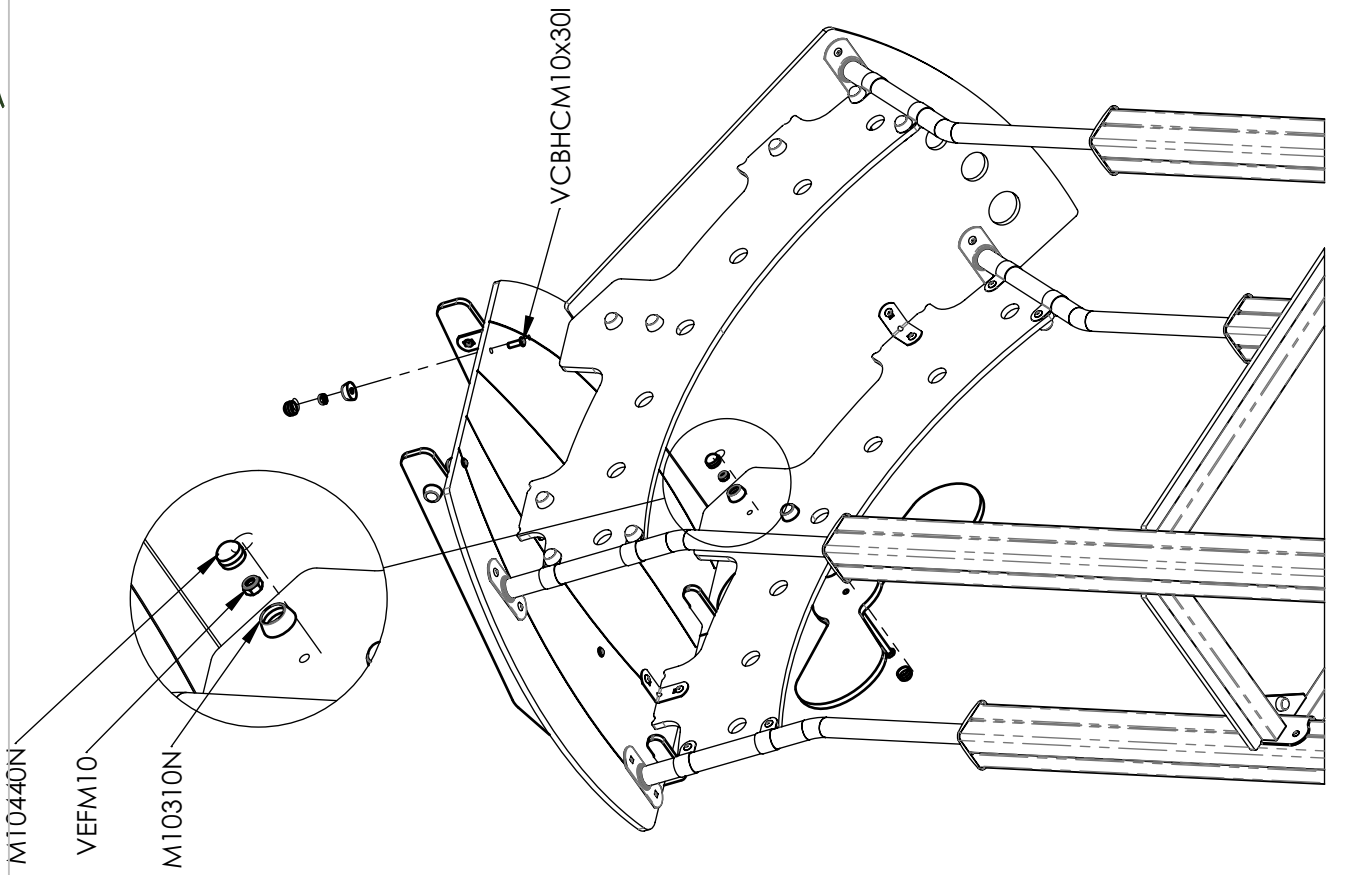
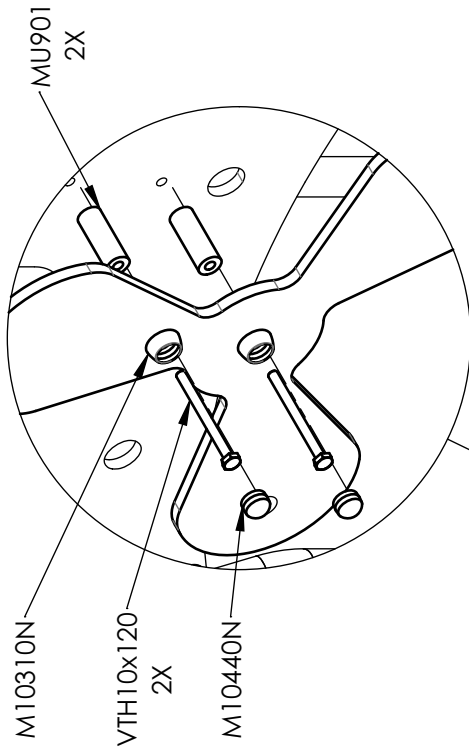
LAP3800

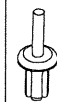
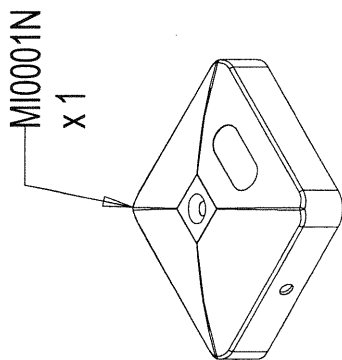
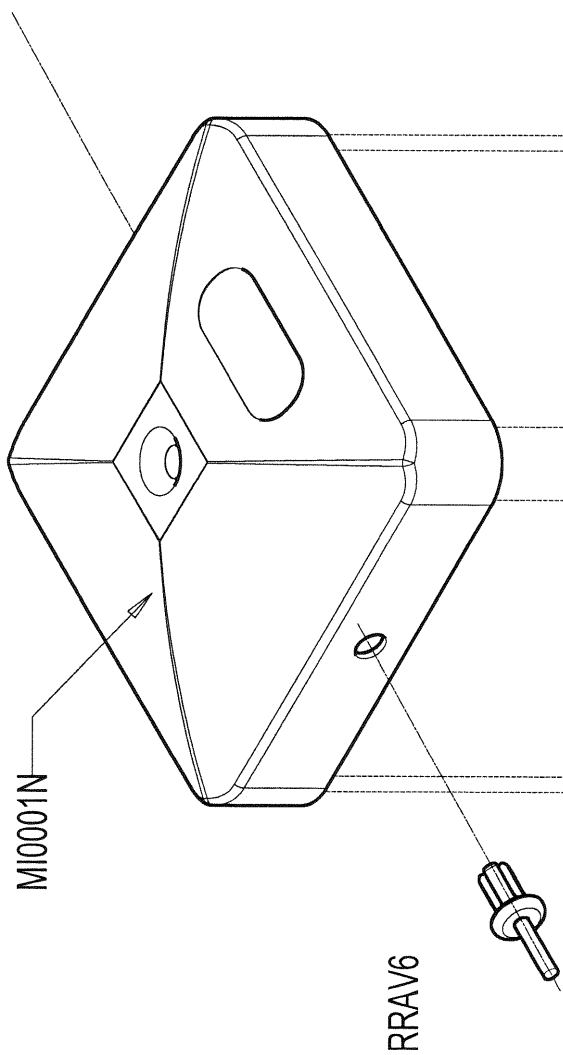
Réf	Qté
ET38304C	1
ET38357PL	1
ET38358PL	1
ET38359C	2
ET38360GA	2
LAP3800	4
LI38300	4
M10310N	42
M10440N	42
MU901	2
P13	8
P135	2
VCBHCM6x25I	15
VCBHCM10x30I	38
VEFM10	44
VTH10x60	4
VTH10x120	2
LI4505	8





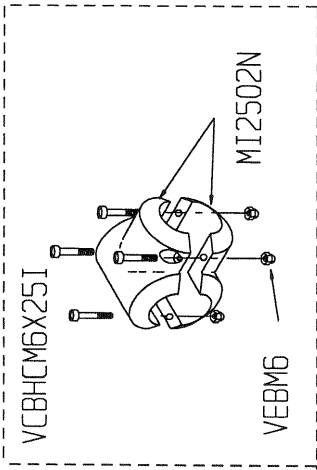






RRAV6

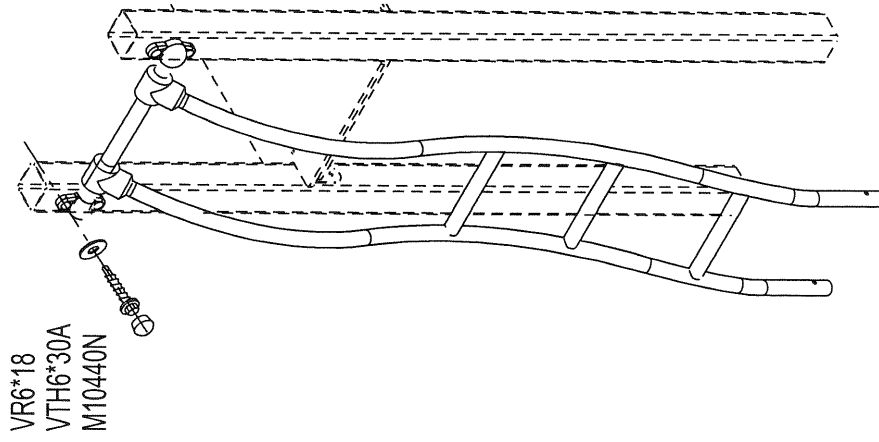
2



VCBH6M6X25I

MI2502N

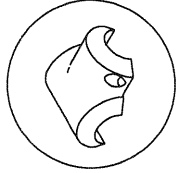
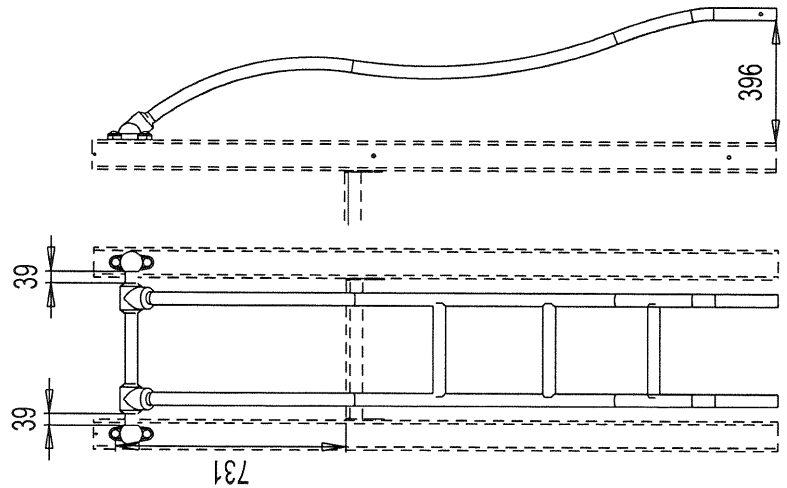
VEBM6



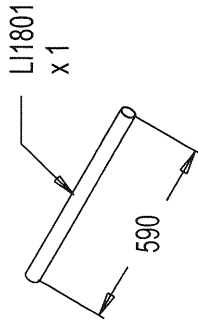
VR6*18

VTH6*30A

M10440N



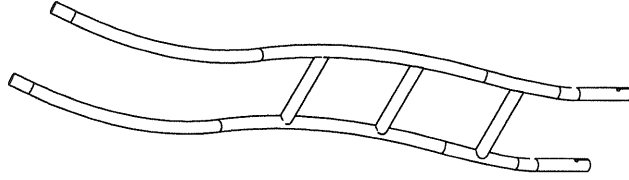
MI2502N x 4



LI1801

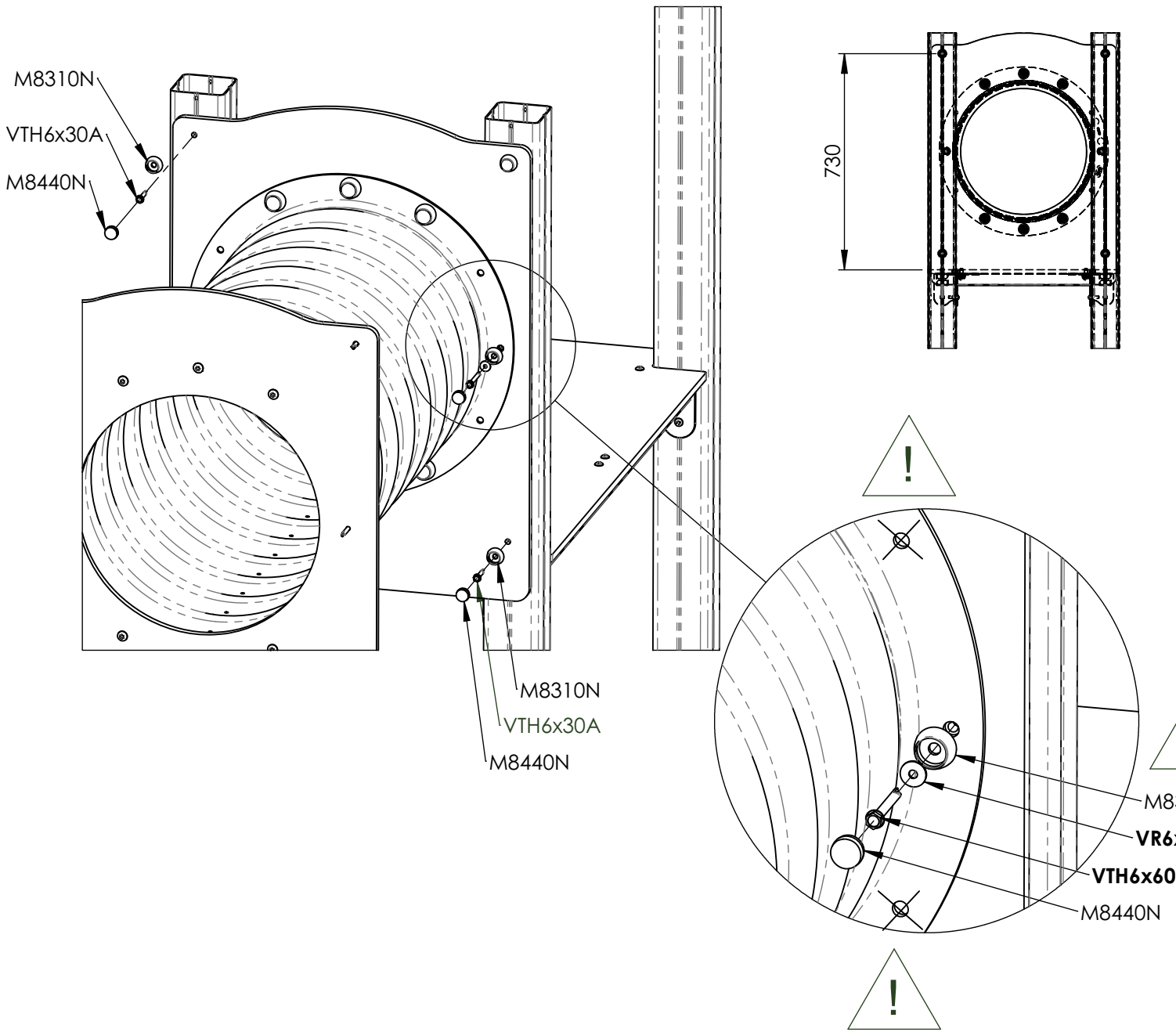
x 1

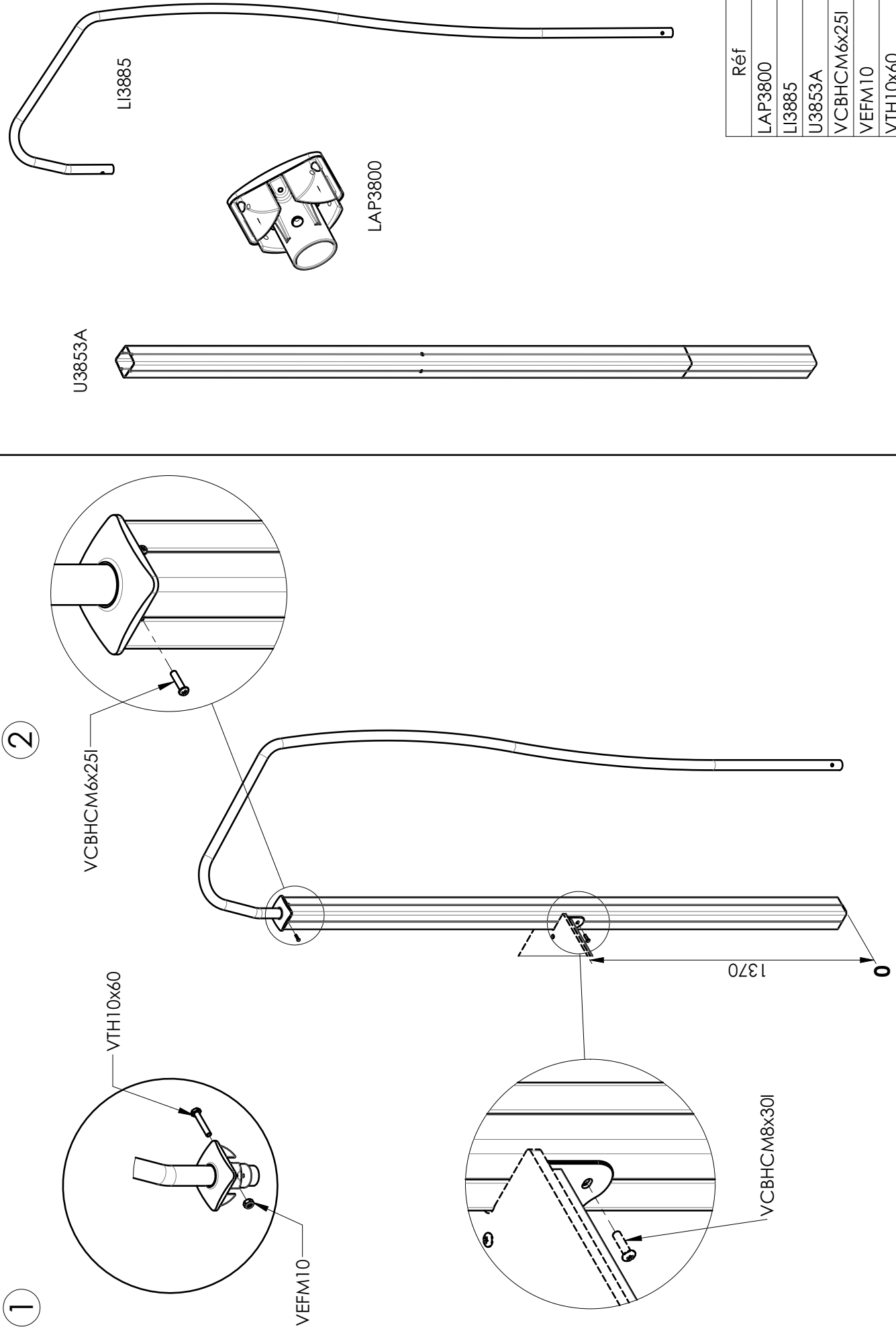
590



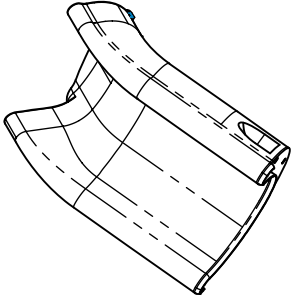
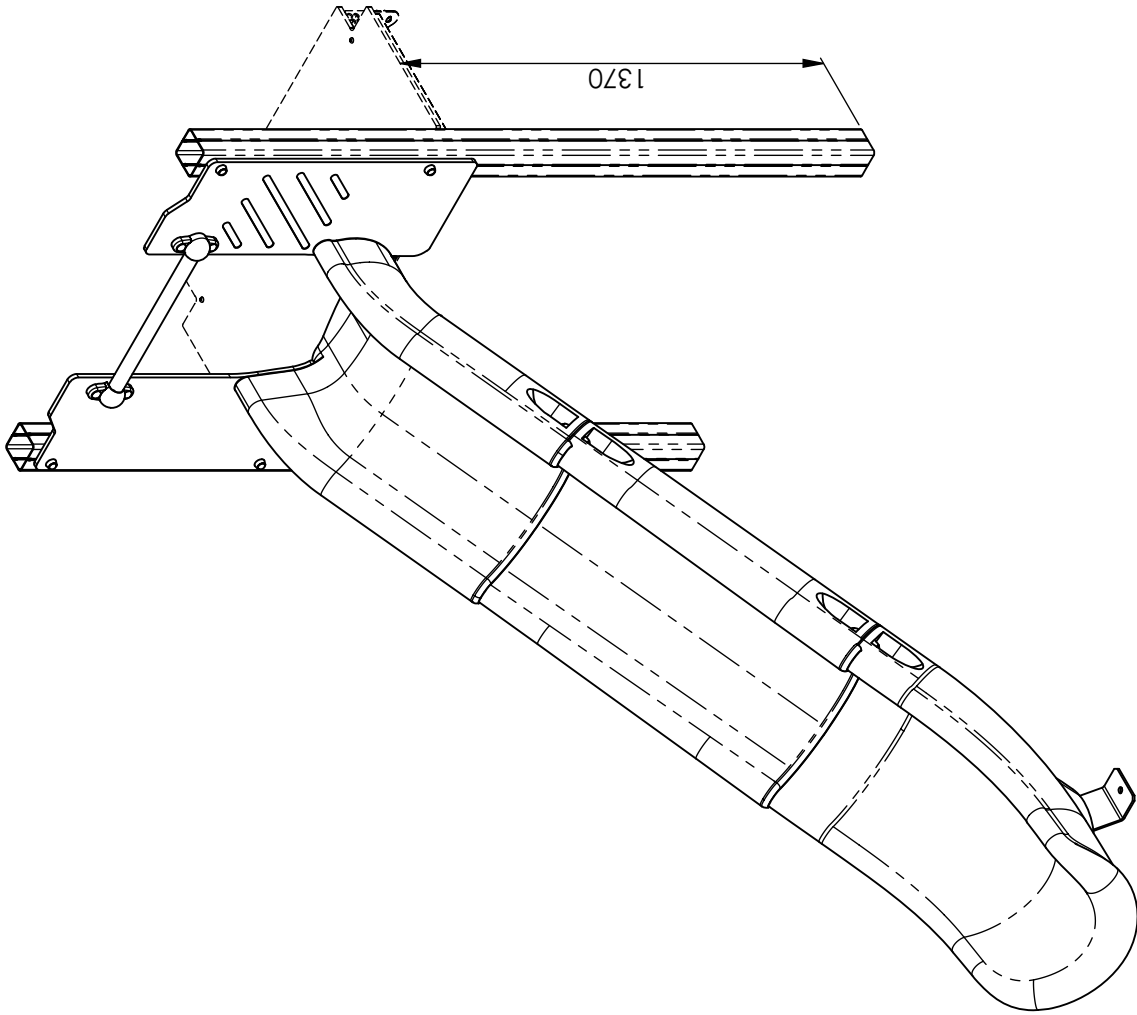
LI33130 x 1

	VR6X18	4
	MI26N	2
	VTH6X30A	4
	VCBH6M6*25I	8
	VEBM6	8
	M10440N	4

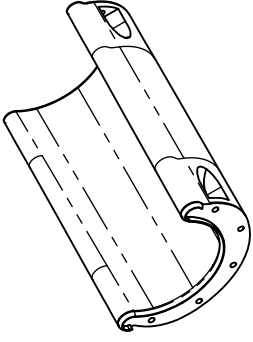




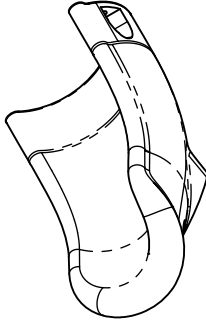
Réf	Qté
LAP3800	1
LI3885	1
U3853A	1
VCBHCM6x25I	4
VEFM10	1
VTH10x60	1



M4501



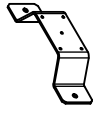
M4503



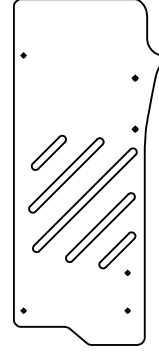
M4506



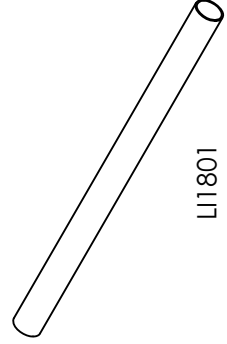
MI26N



LG4505



ET38355



LI1801

Réf	Qté
ET38355C	2
LG4505	1
LI1801	1
M4501	1
M4503	1
M4506	1
M8310N	4
M8440N	4
M10310N	24
M10440N	28
MI26N	2
VBT6x50	5
VCBHCMI0x30I	4
VCBHCMI0x40I	4
VEFM10	14
VTH6x30A	4
VTH10x70	10
VBT6x30	2

