

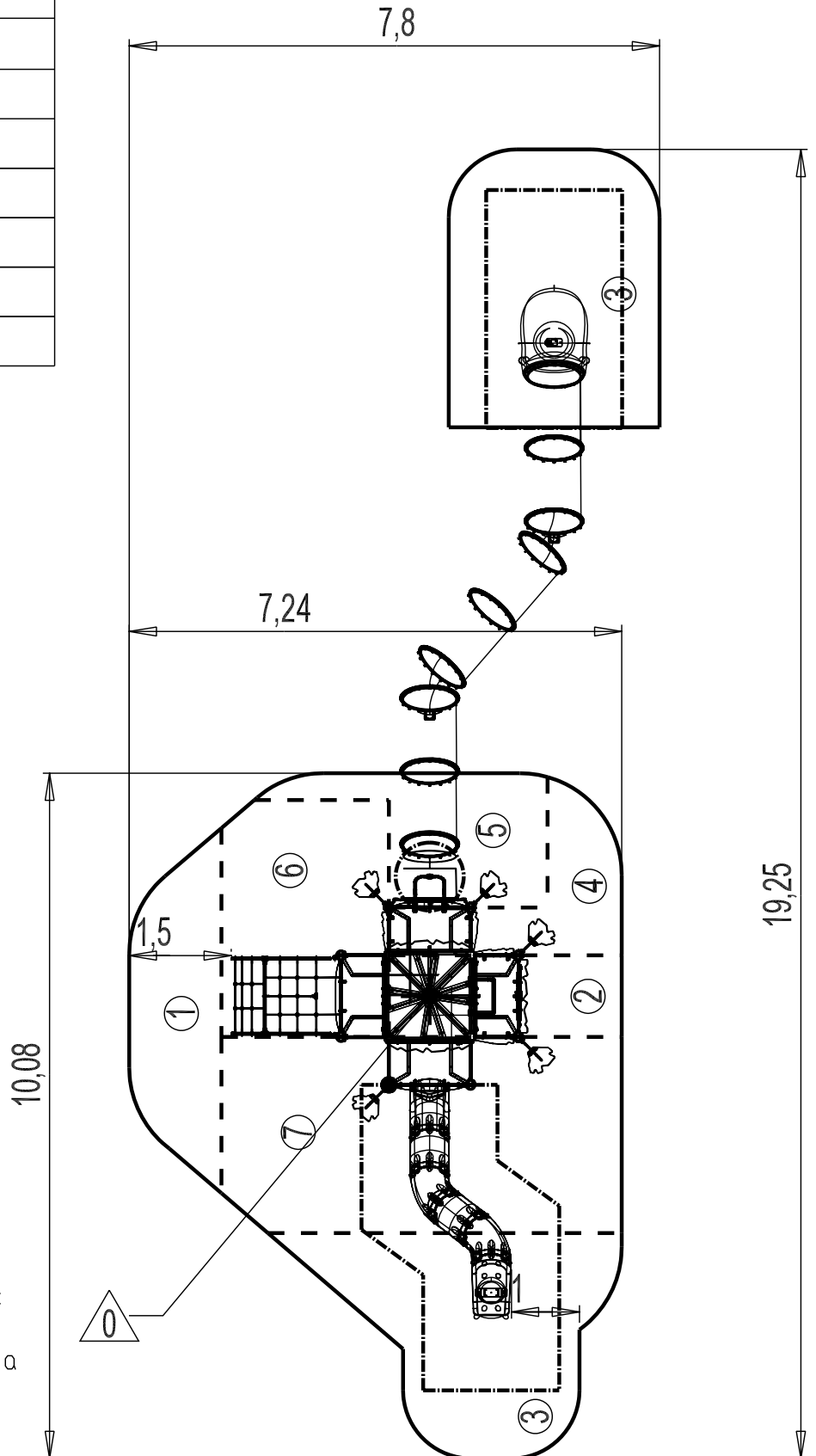
N°		M ²
①	0.6 m	6 m ²
②	0.97 m	4.5 m ²
③	1 m	23 m ²
④	1.17 m	4 m ²
⑤	1.5 m	5.5 m ²
⑥	1.77 m	8.5 m ²
⑦	2.37 m	17 m ²

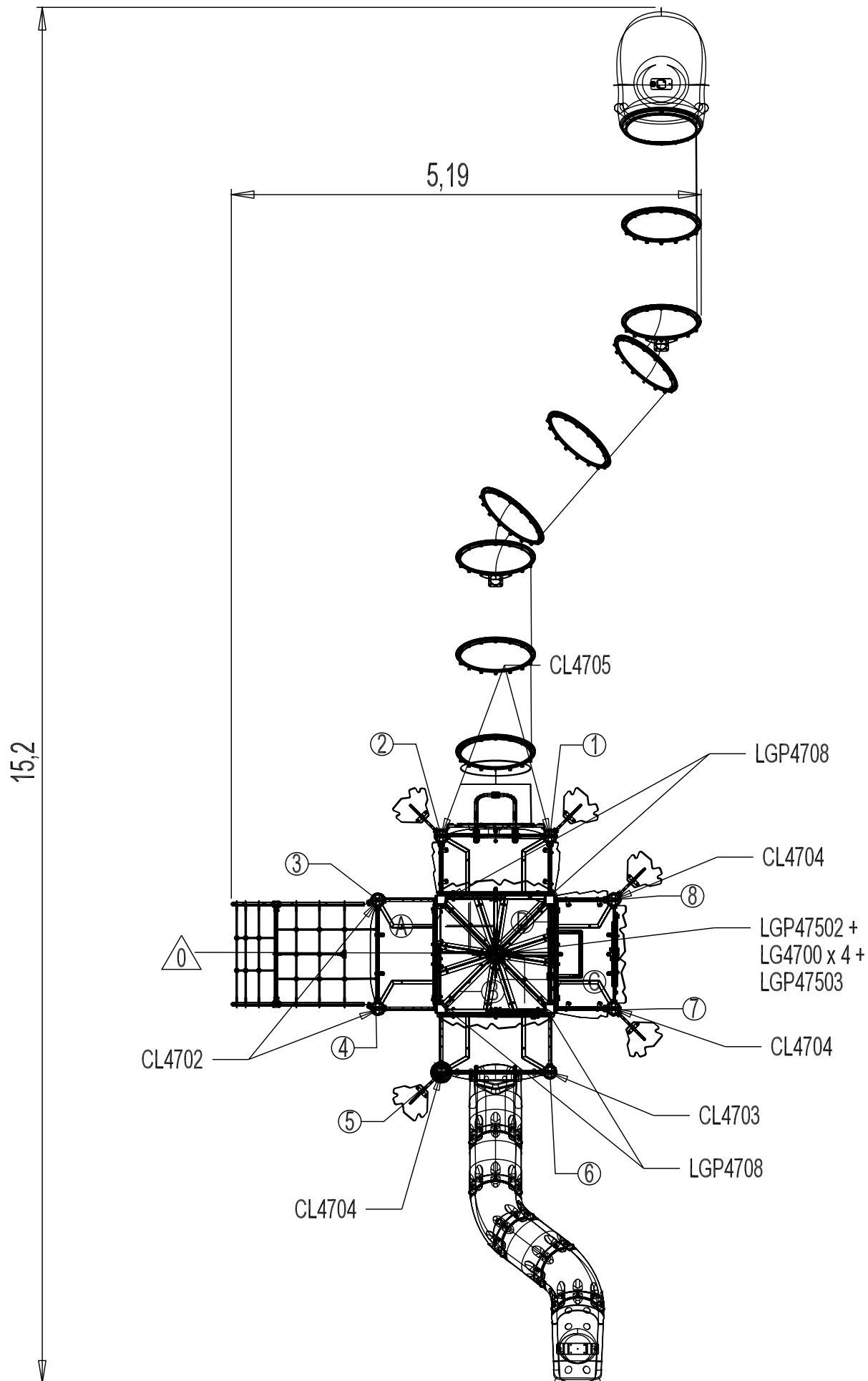
EN1176-1: 2017
EN1176-3:2017

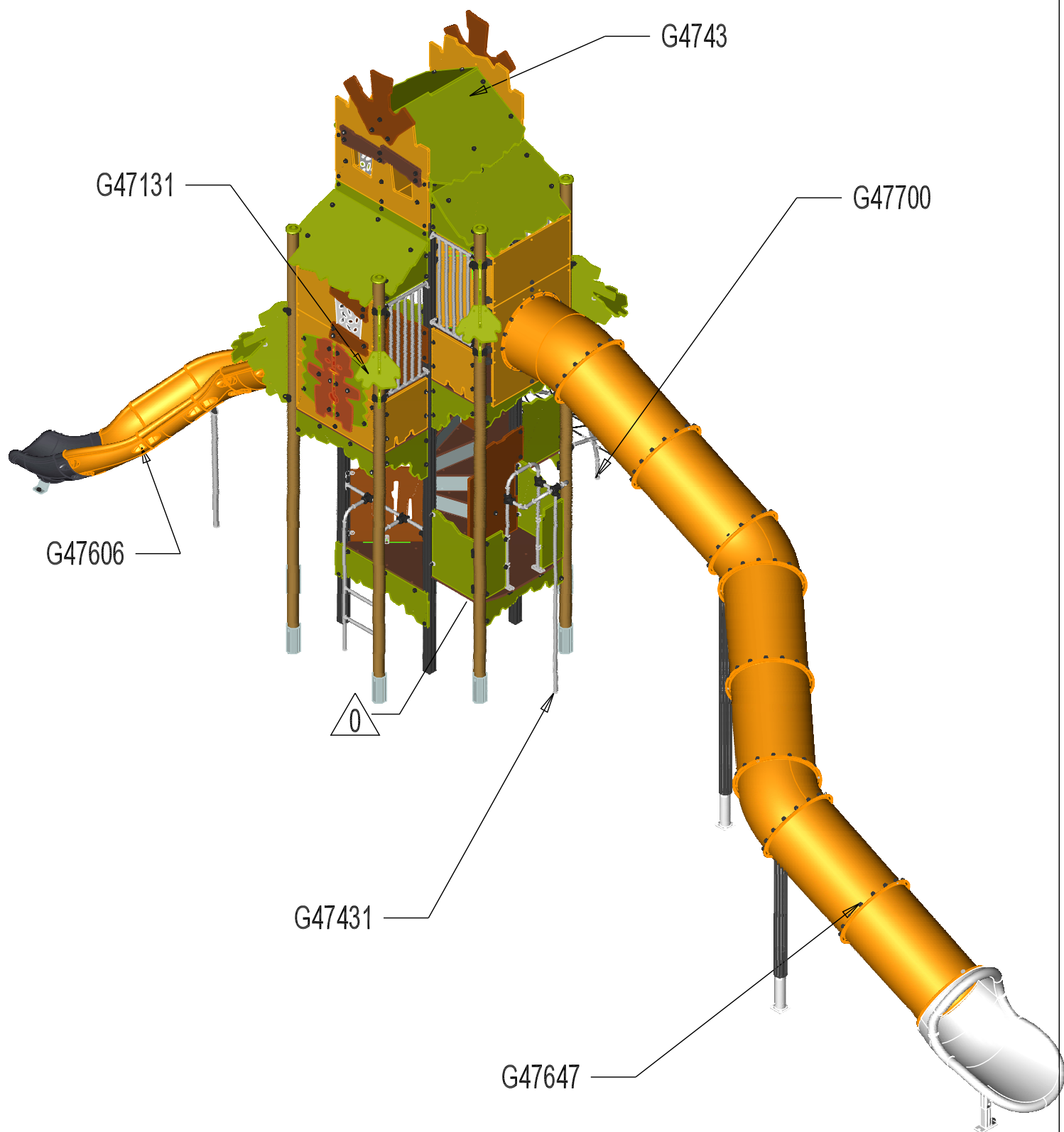
— Zone d'Impact
Impact Area
Area de Impacto
Fallraum

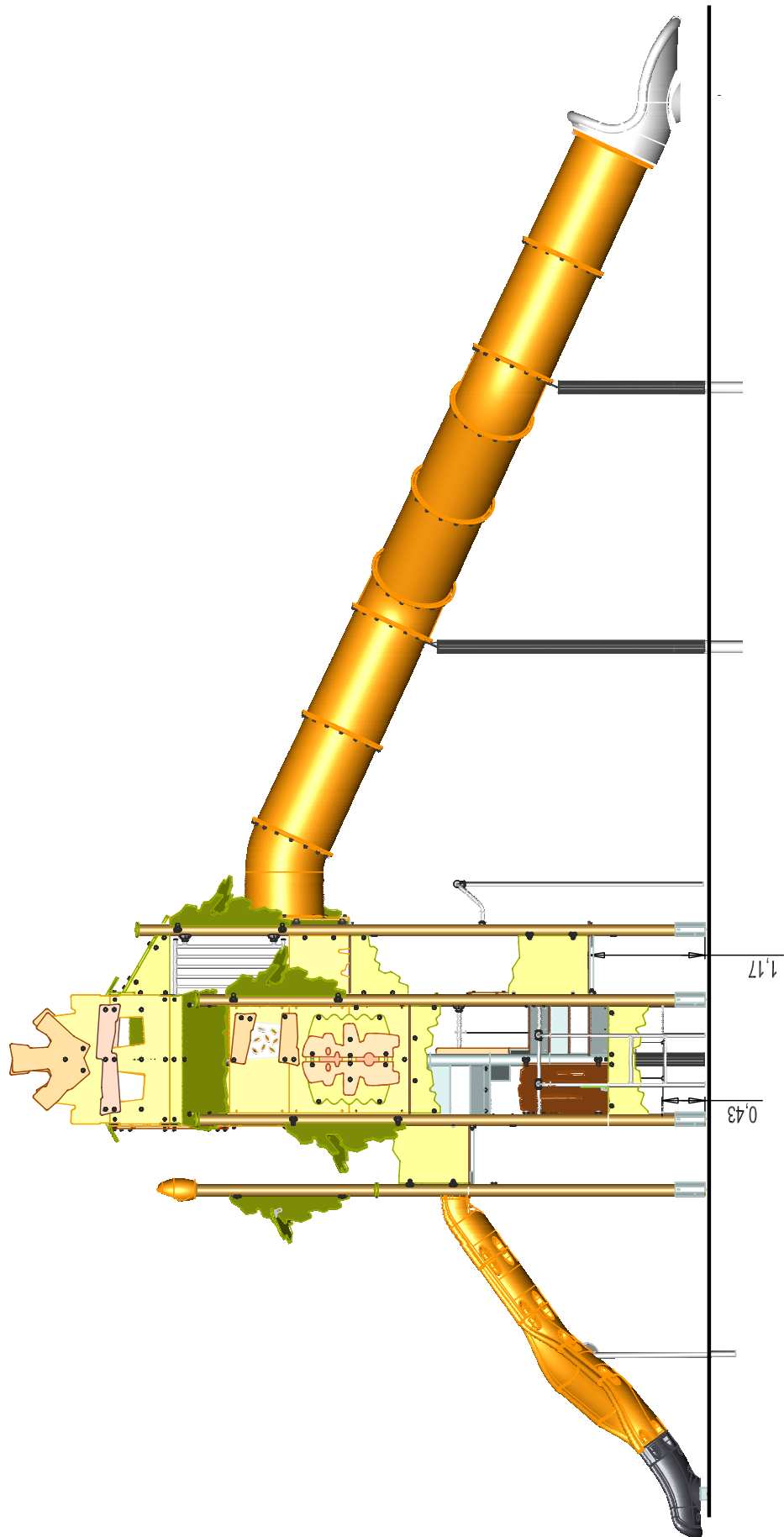
- - - Espace libre
Free Space
Espacio Libre
Freiraum

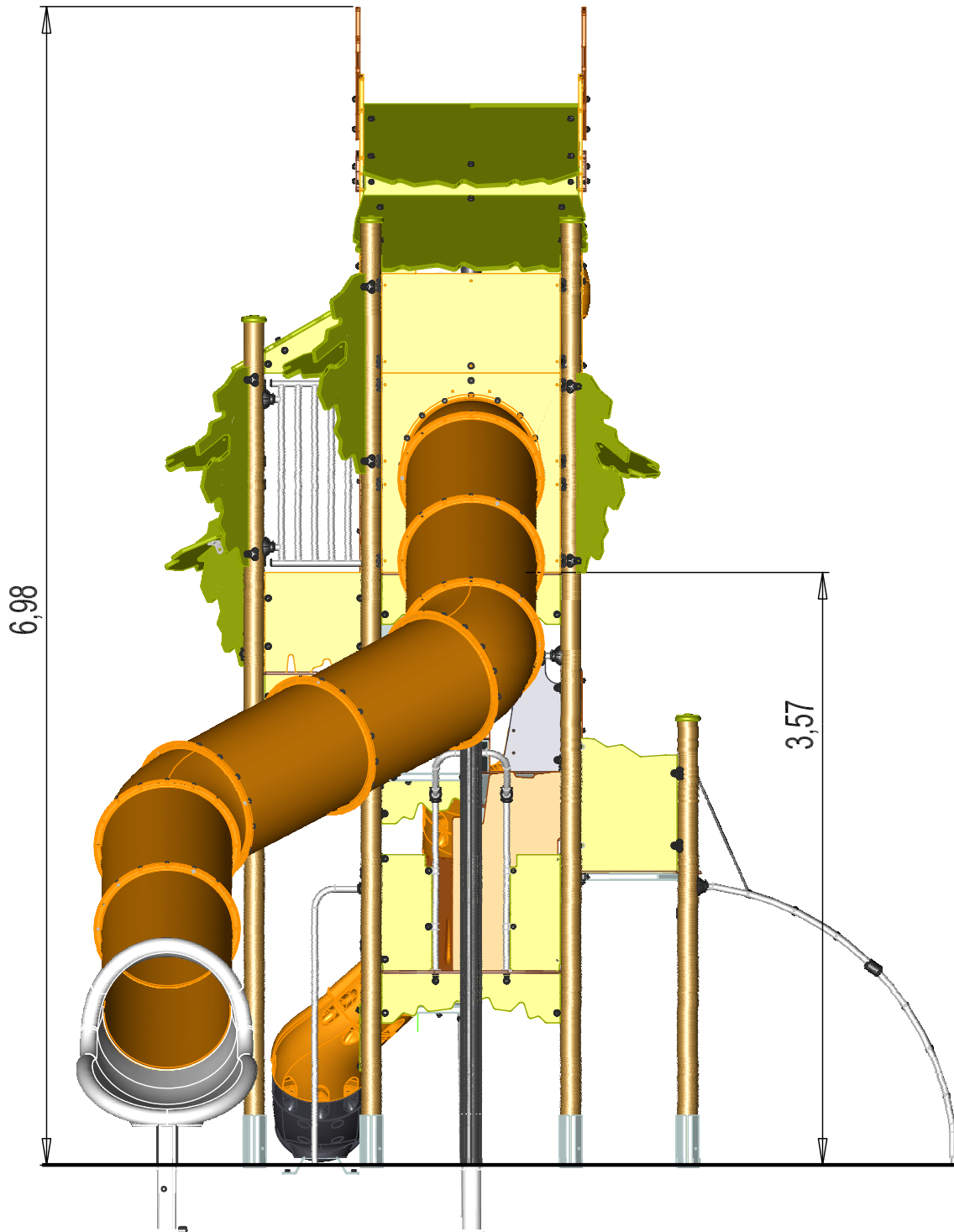
Point de Référence
Setting Out Point
Punto de referencia
Bezugspunkt





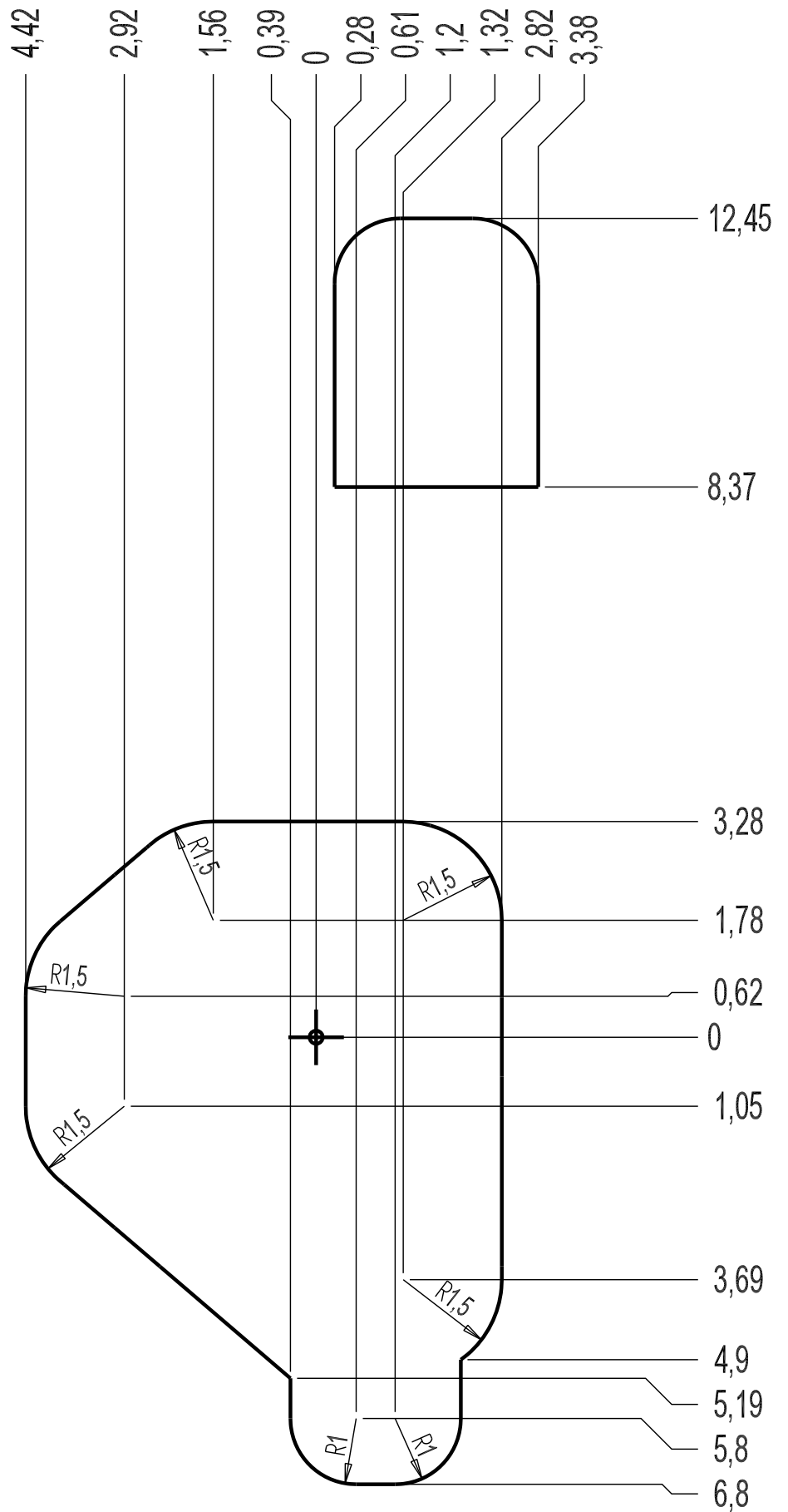




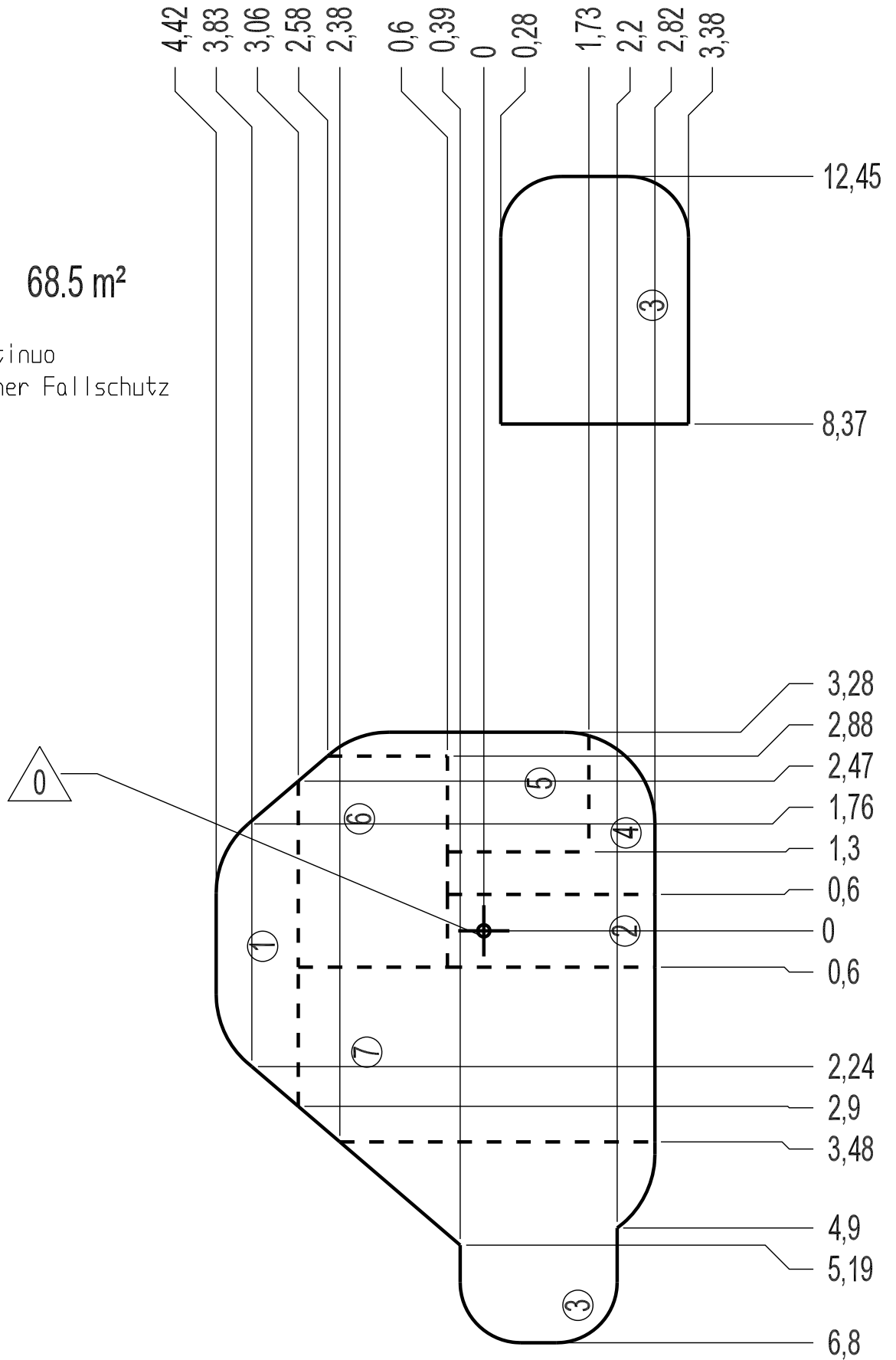


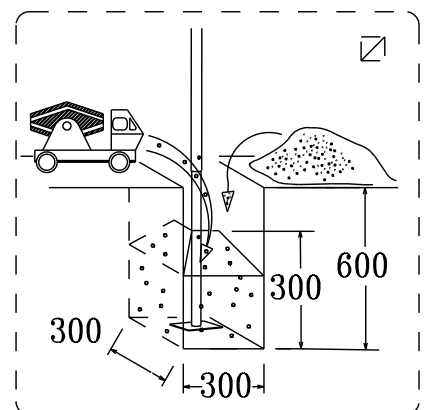
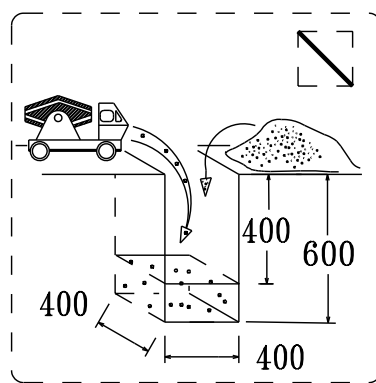
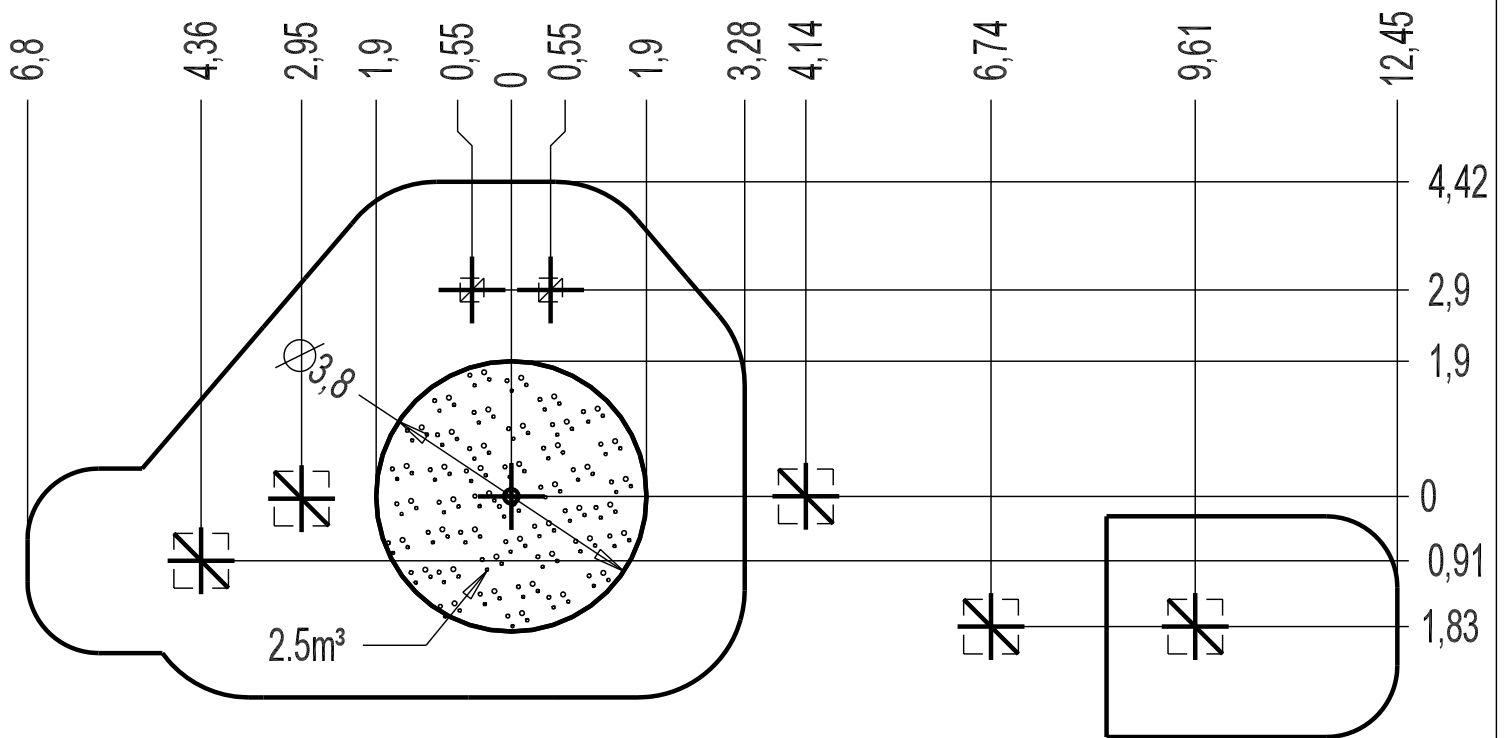
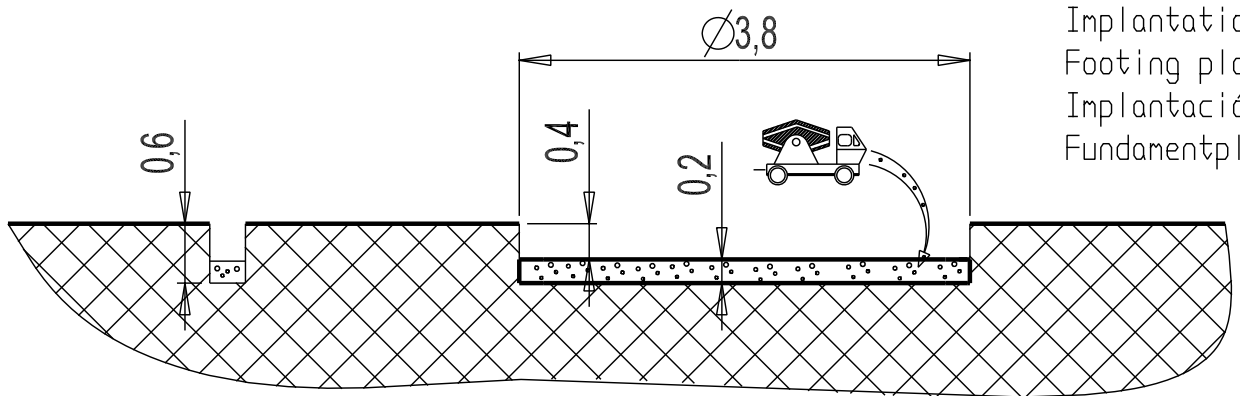
— Zone d' Impact
 Impact Area
 Area de Impacto
 Fallraum


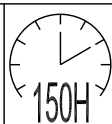
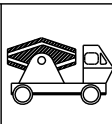
68.5 m²

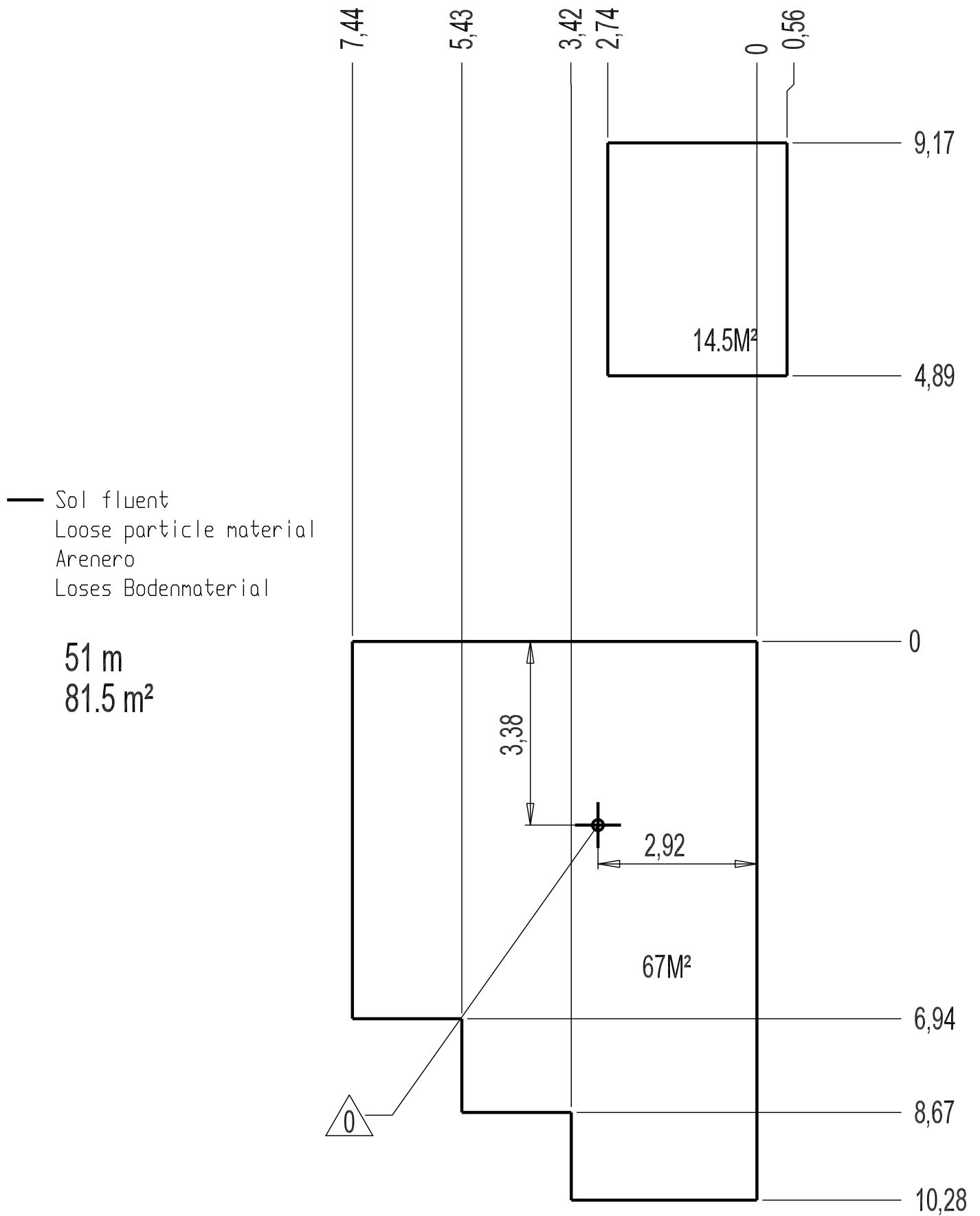


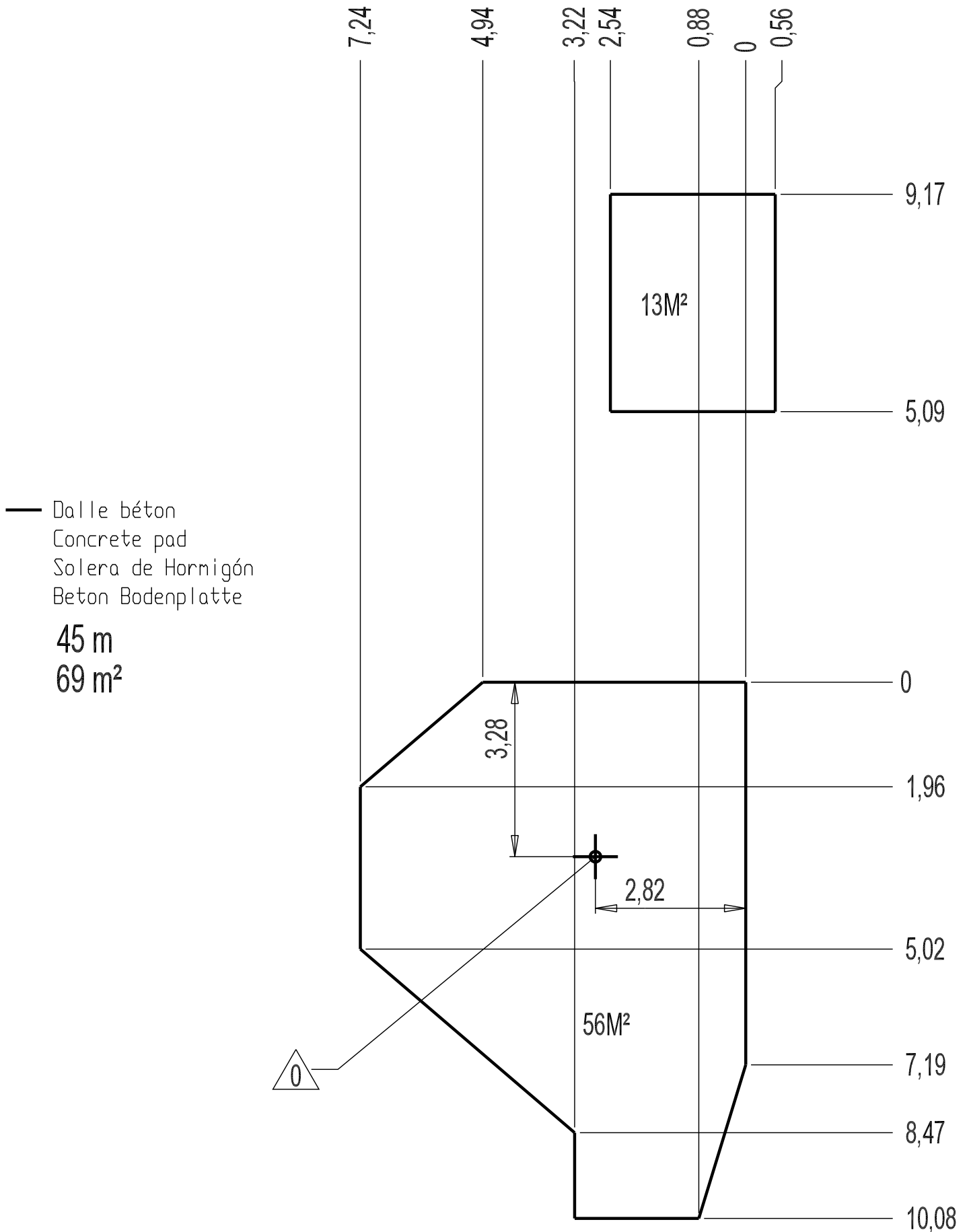
— Sol souple **68.5 m²**
 Wetpour
 Caucho Continuo
 Synthetischer Fallschutz

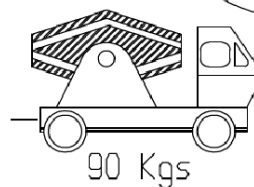
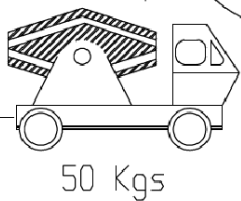
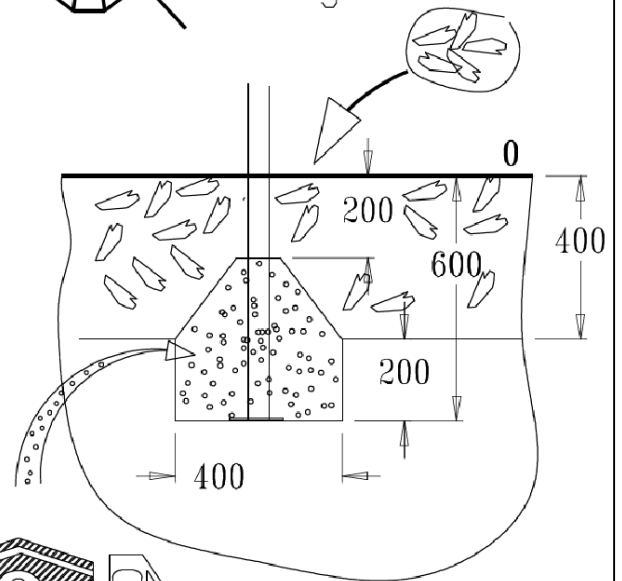
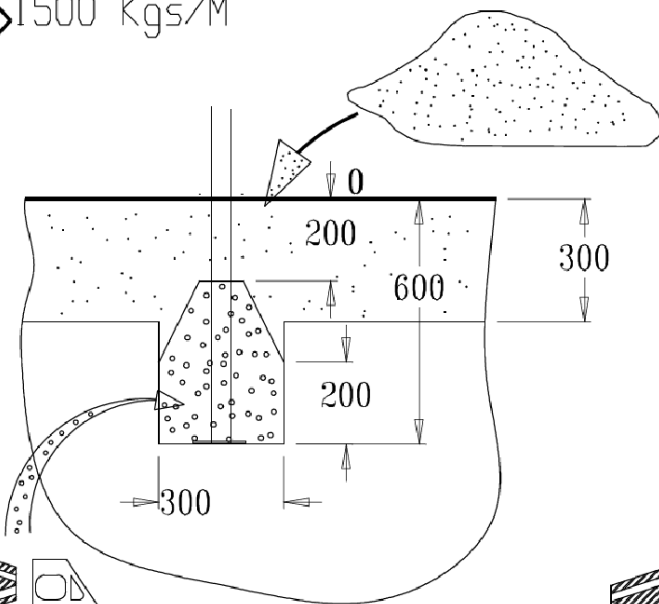
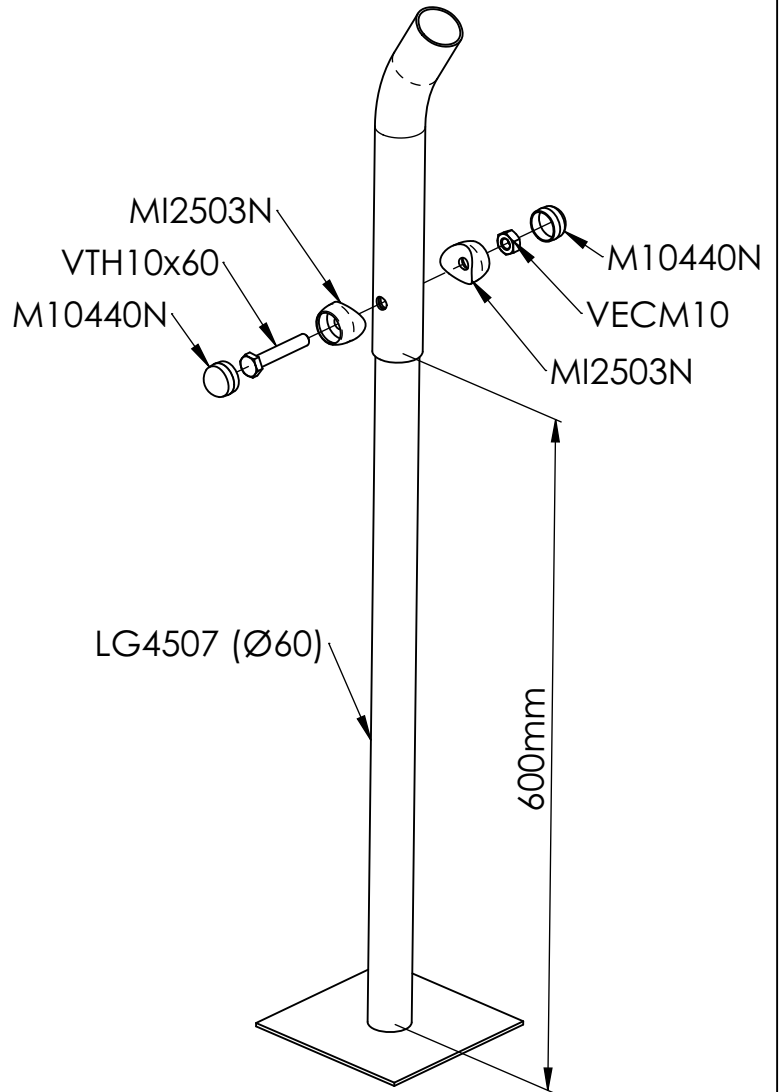
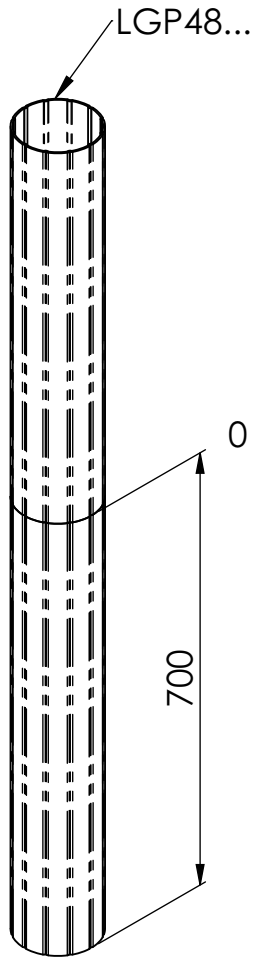




 x4	 150H	 2,9m ³
---	--	---

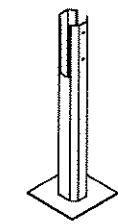






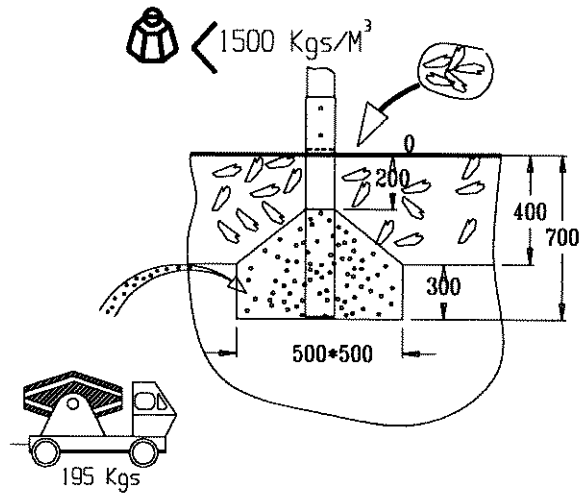
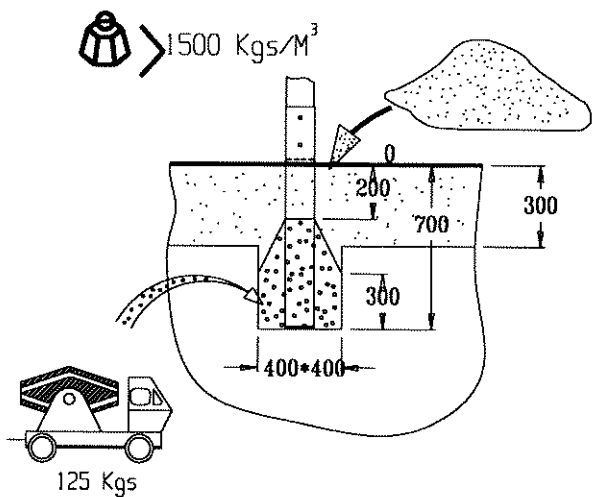
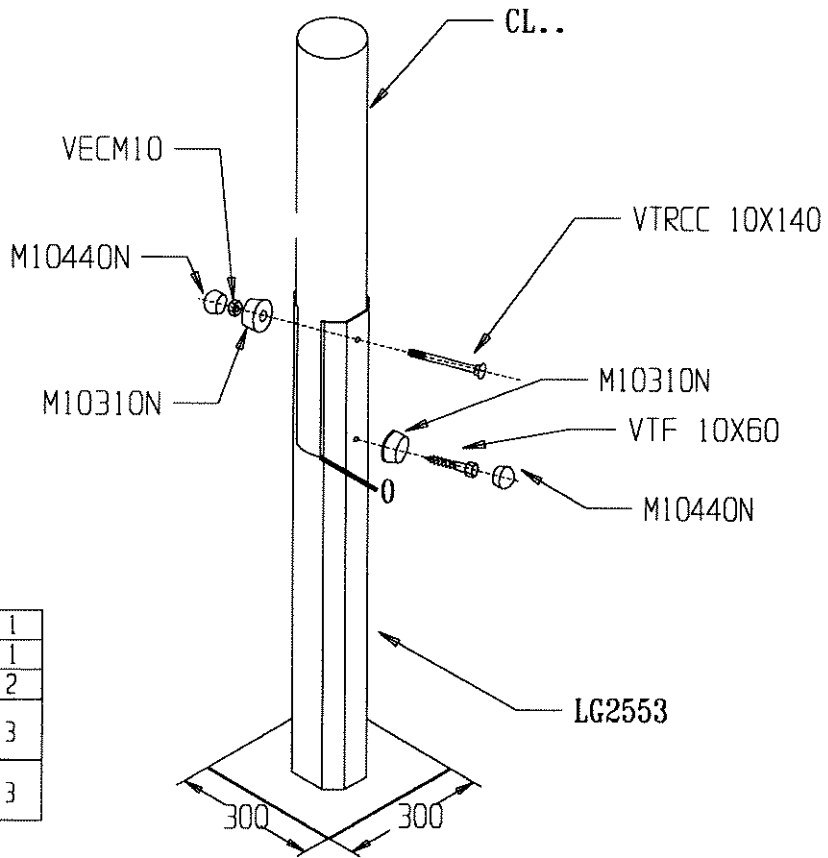
A

ProLudic

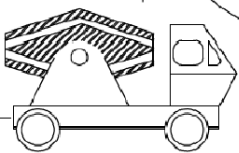
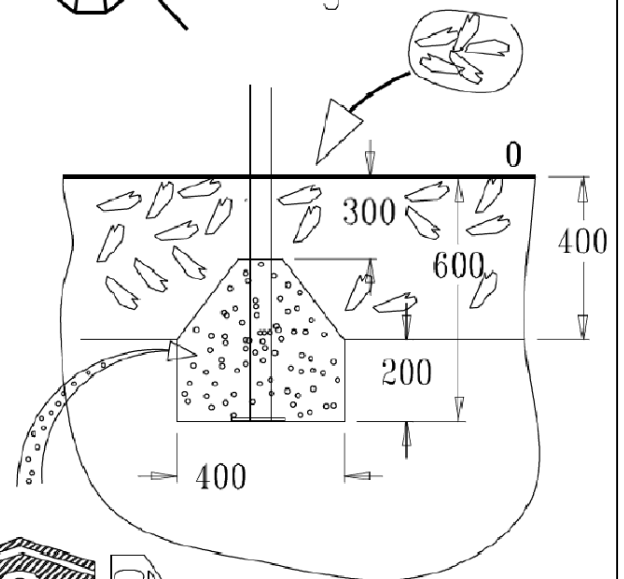
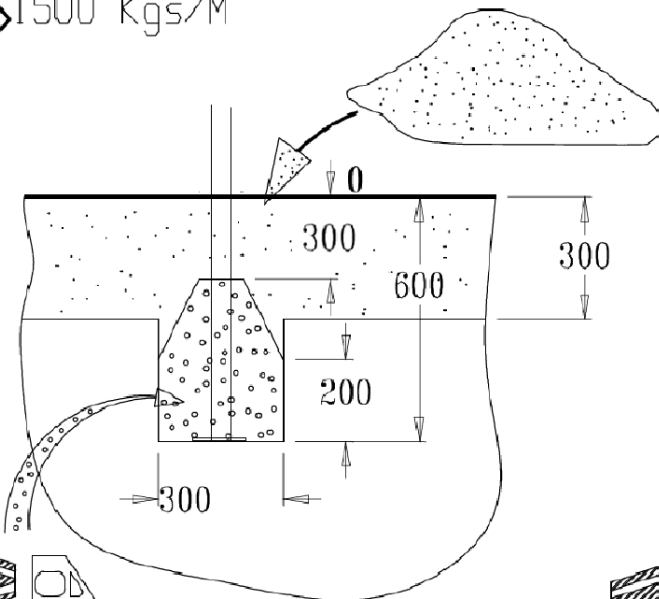
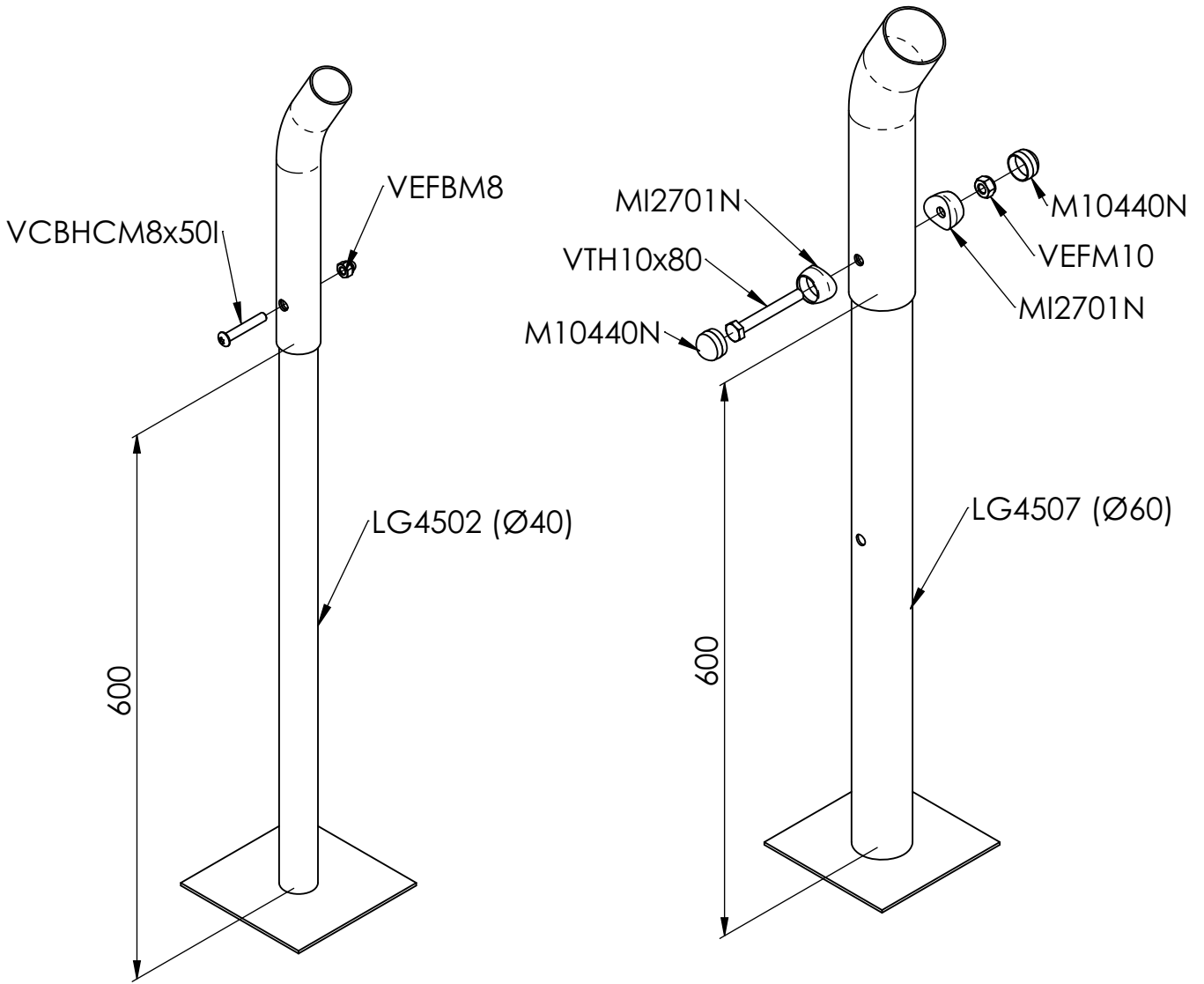


LG2553

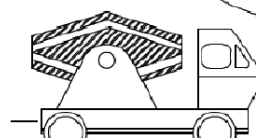
	VTRCC 10x140	1
	VECM10	1
	VTF 10x60	2
	M10310N	3
	M10440N	3



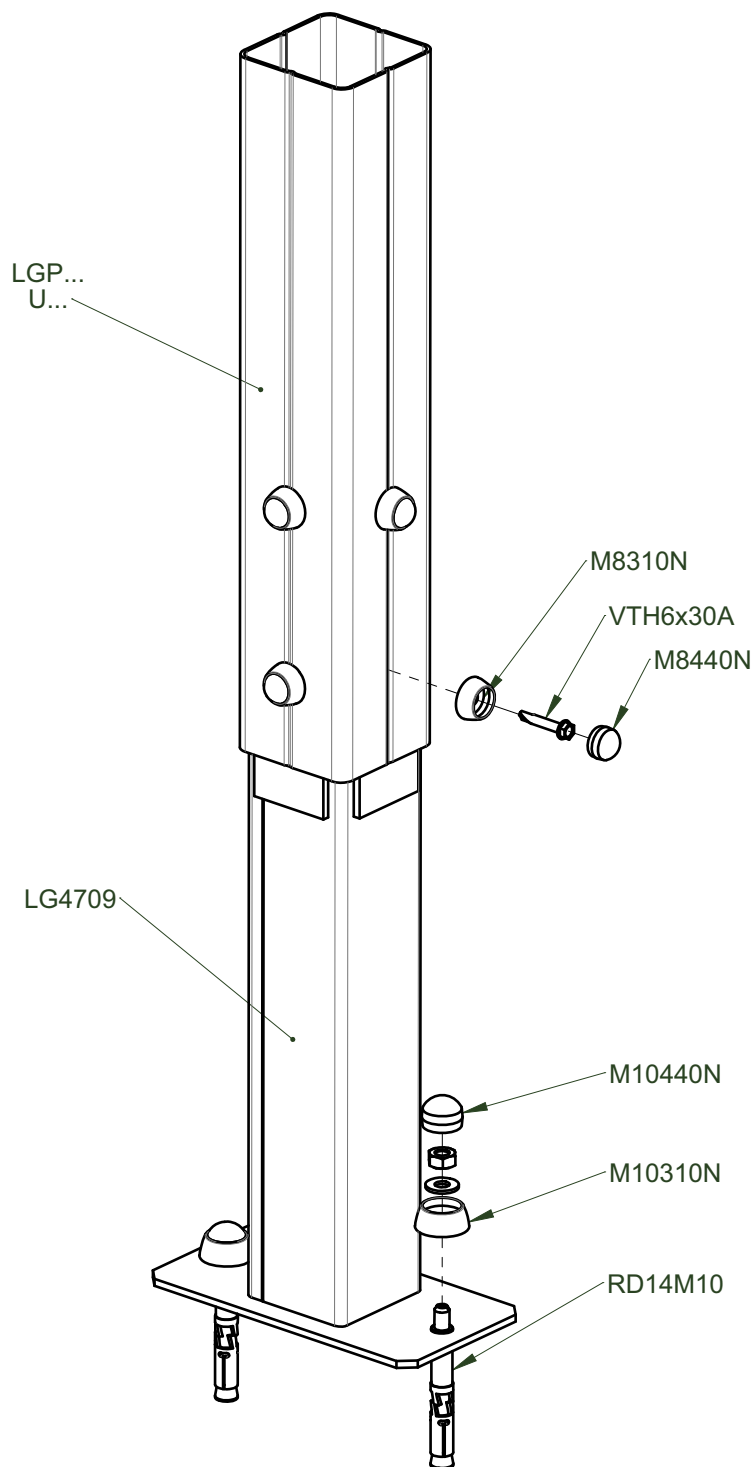
04-05-10

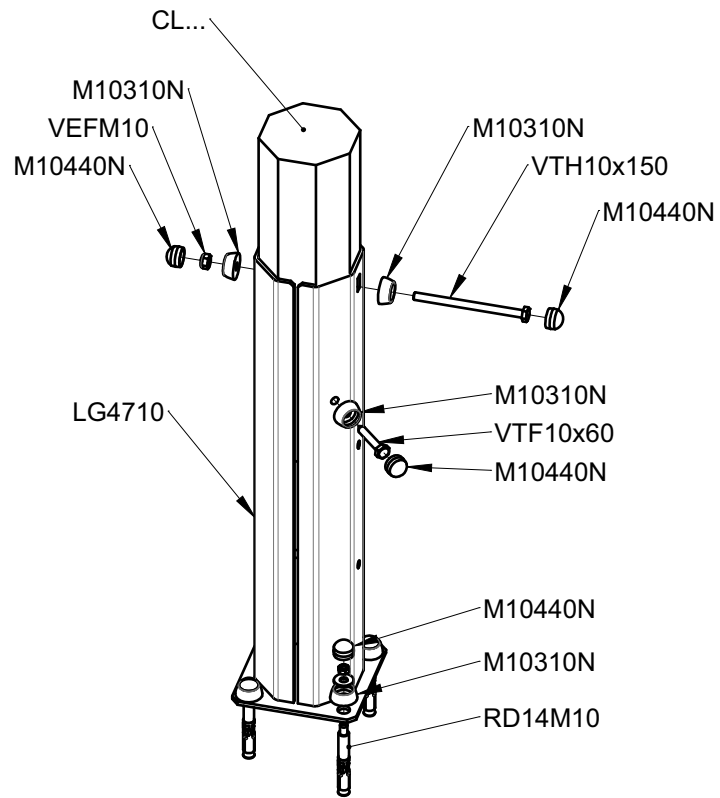


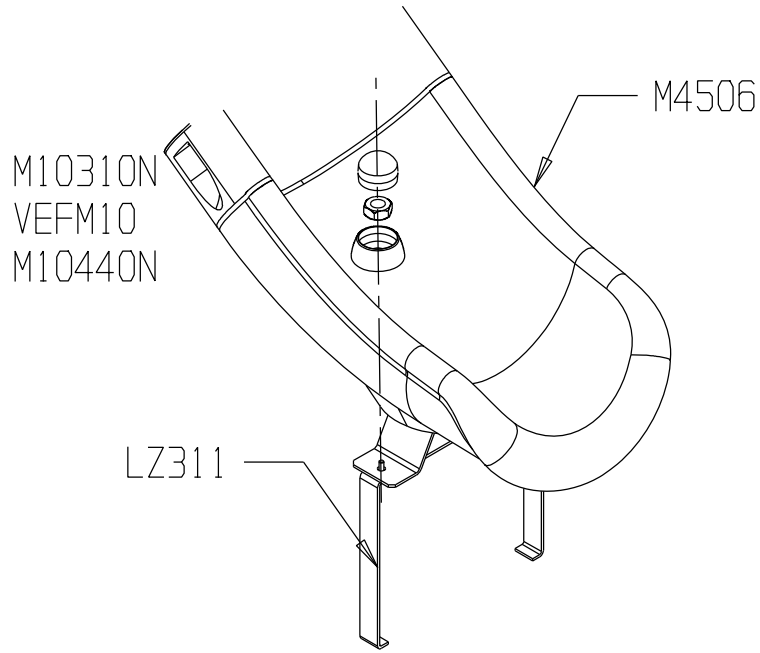
50 Kgs



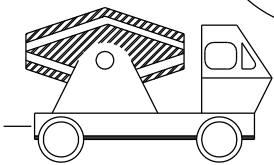
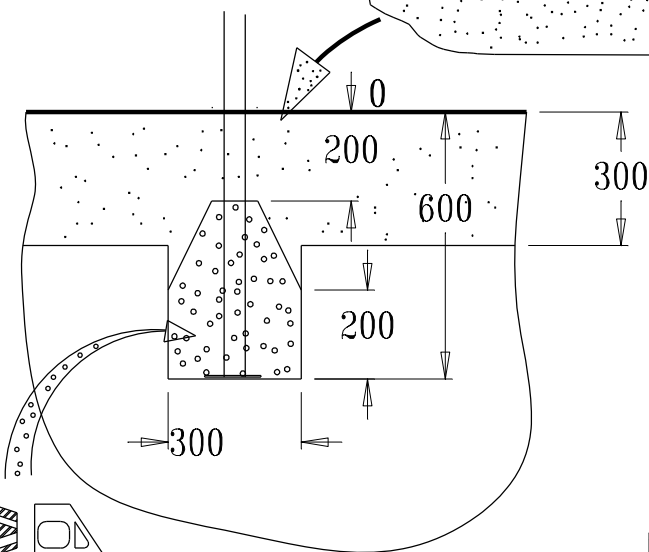
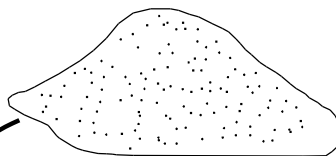
90 Kgs







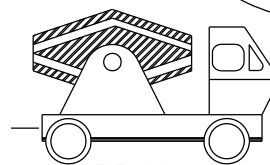
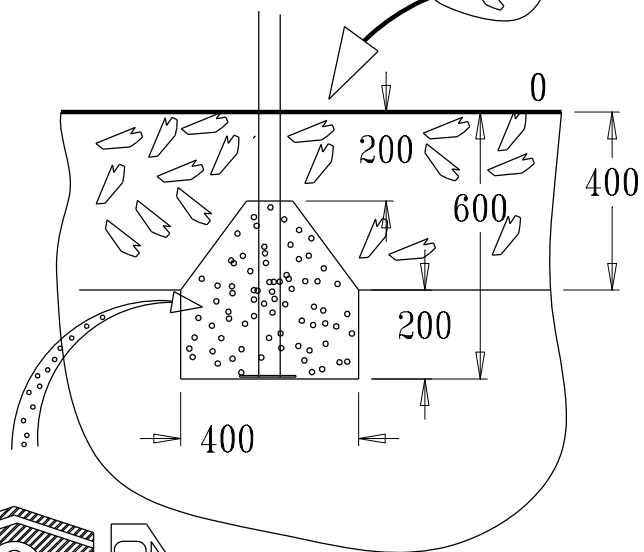
> 1500 Kgs/M³



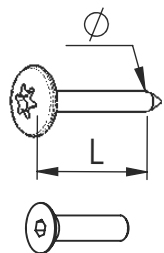
50 Kgs



< 1500 Kgs/M³



90 Kgs



VBT 6 x 30
 \varnothing \uparrow L (mm)

VFHC



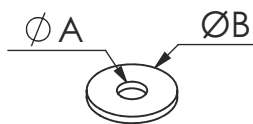
VEC M10
 \varnothing



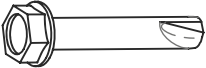
VEF




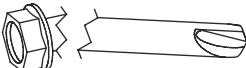
VEB



VR6x18
 \varnothing A \varnothing B




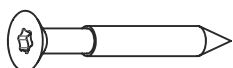
VTHA

1000 - 1800 tr/min
 Vitesse de rotation
 Rotation speed

14 N.m
 Couple de rupture
 Torque of break

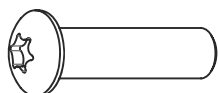




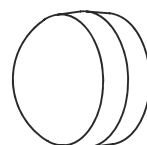
VWT



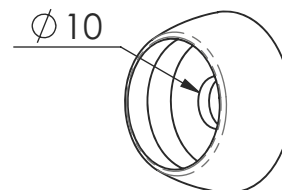
VGC



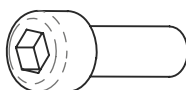
VCBHC



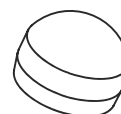
M10 440N



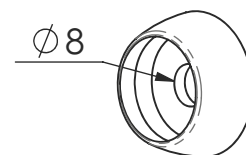
M10 310 N



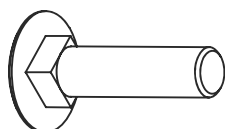
VBTR



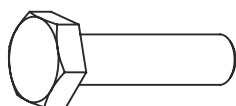
M8440N



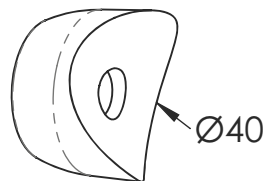
M8310N



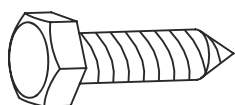
VTRCC



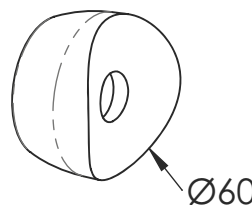
VTH



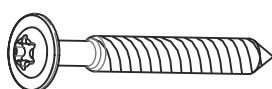
MI2503



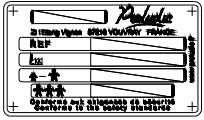
VTF



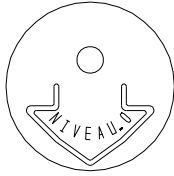
MI2701



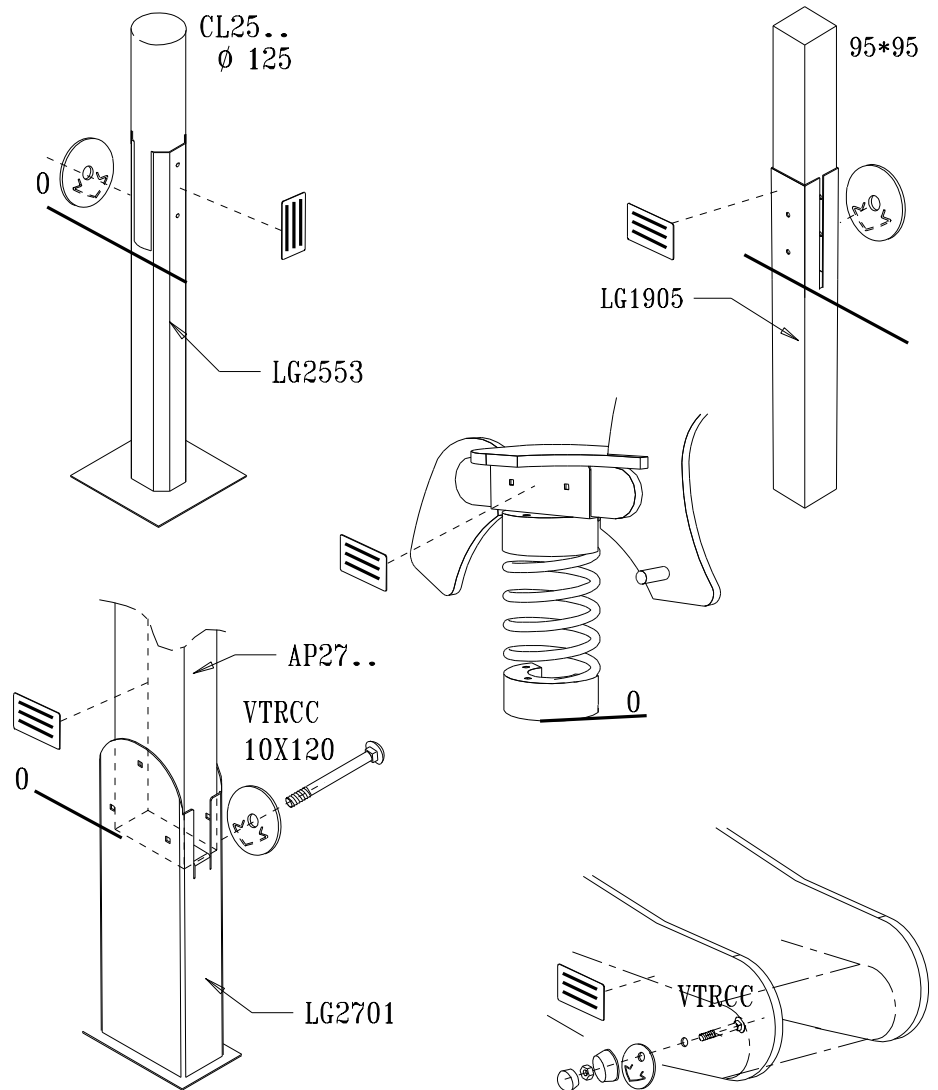
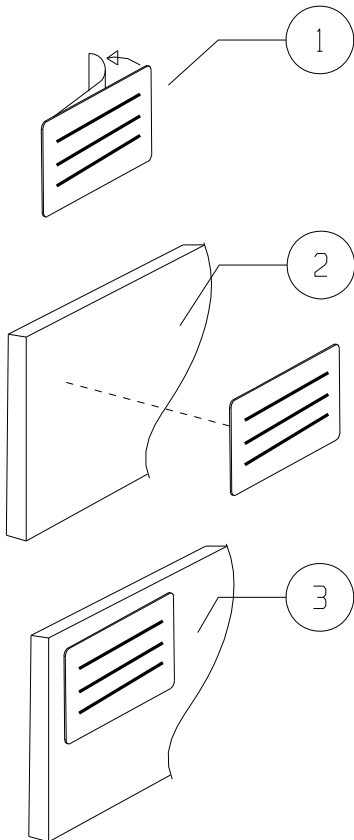
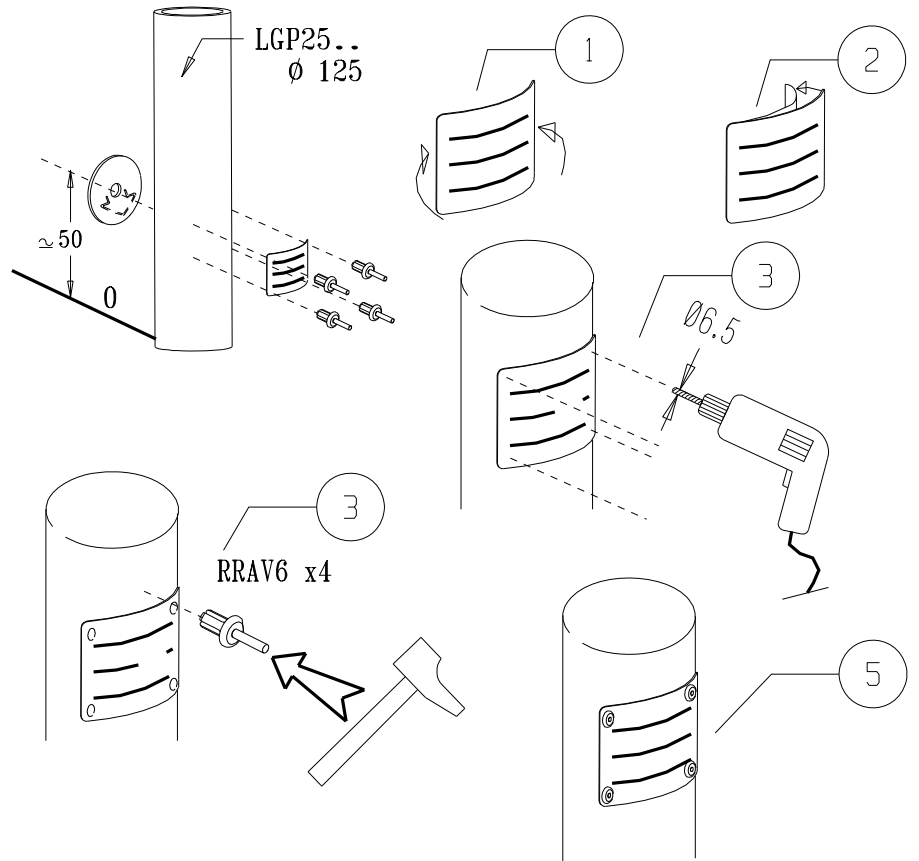
VBT

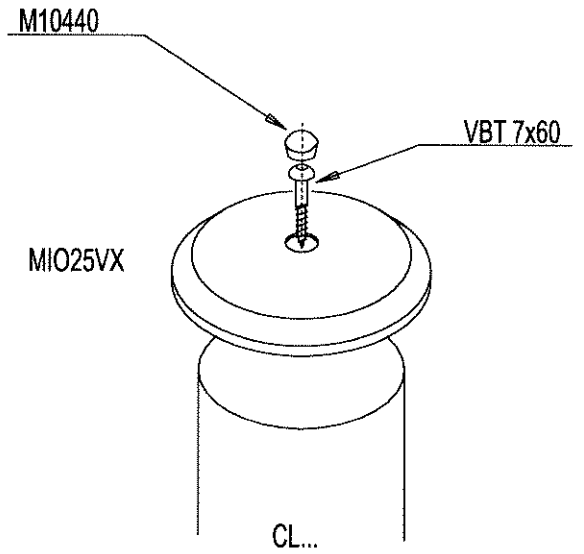
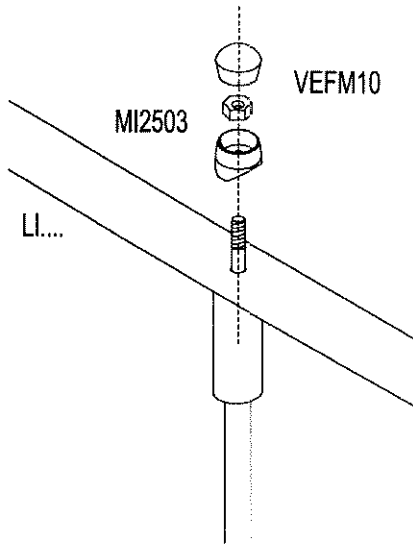


LA000

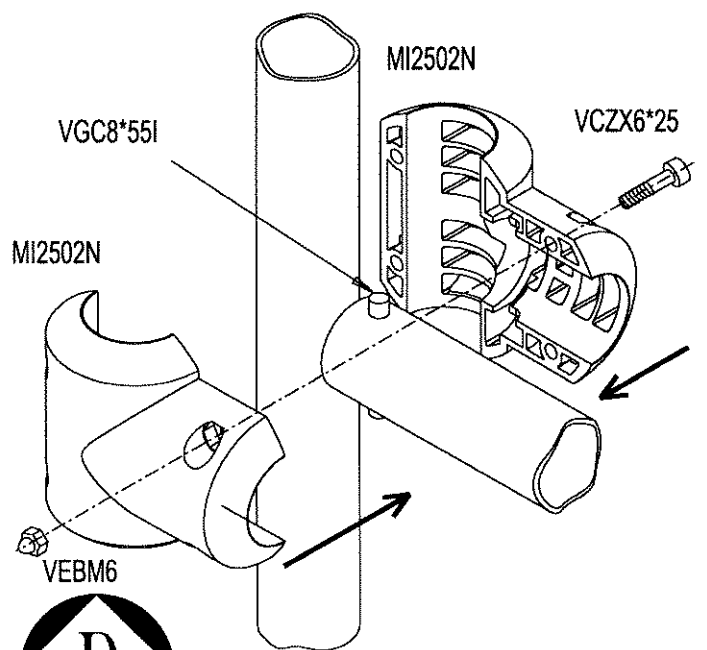
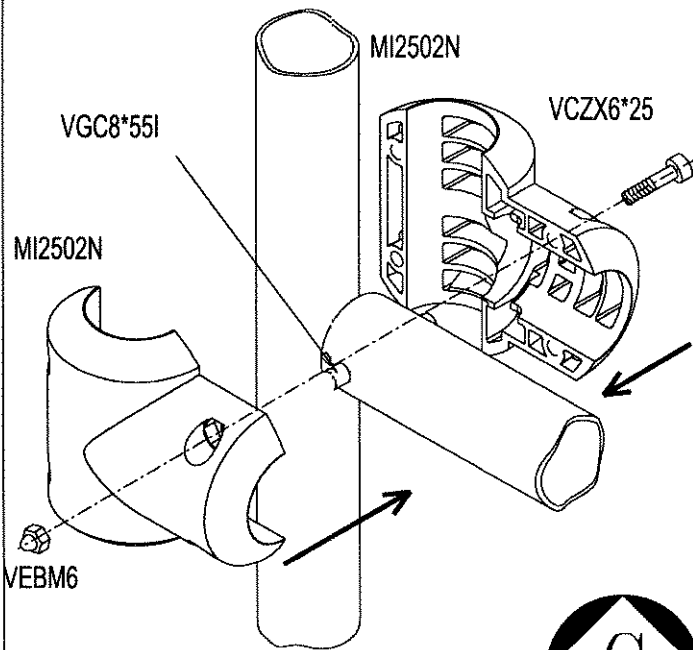


MI0002

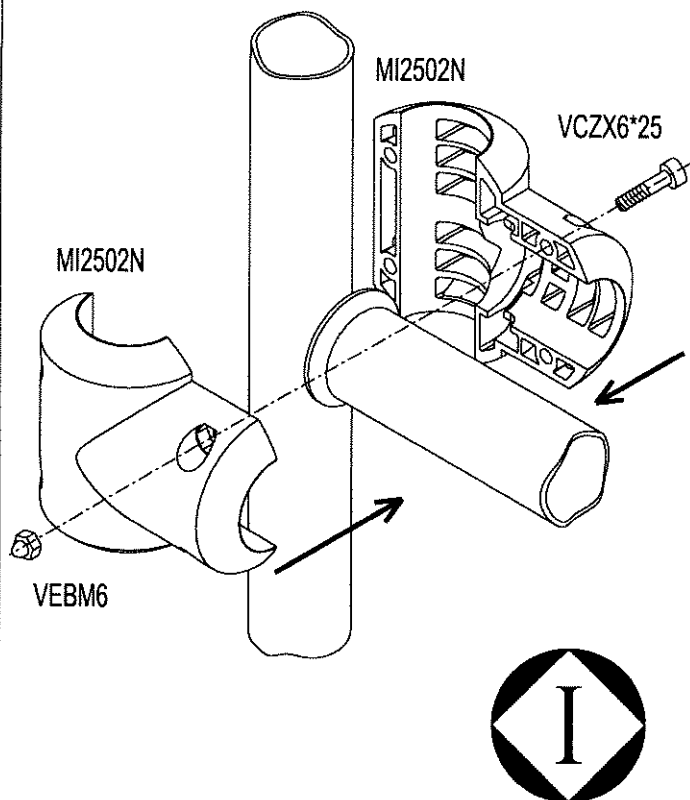




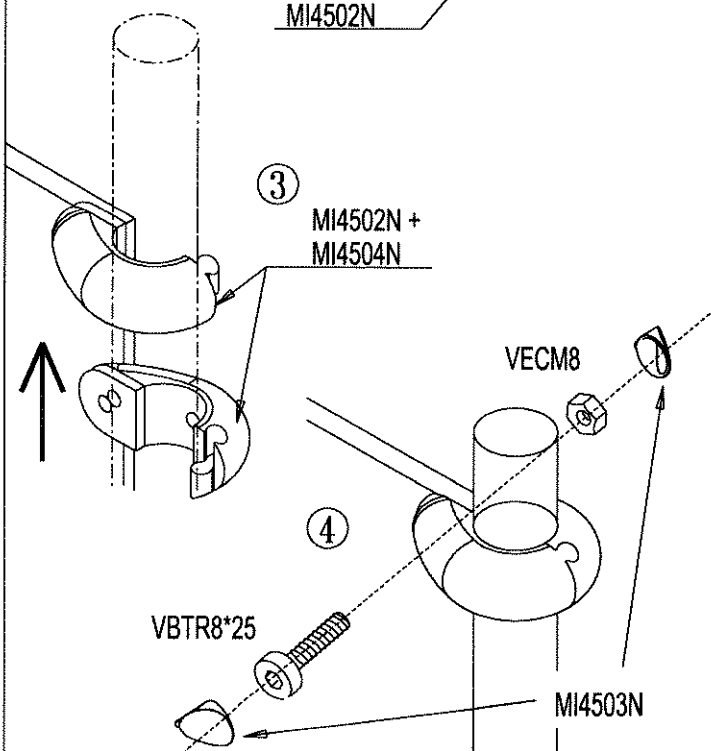
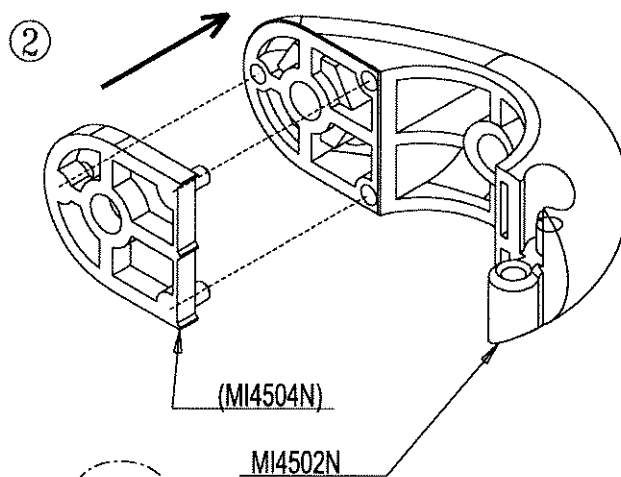
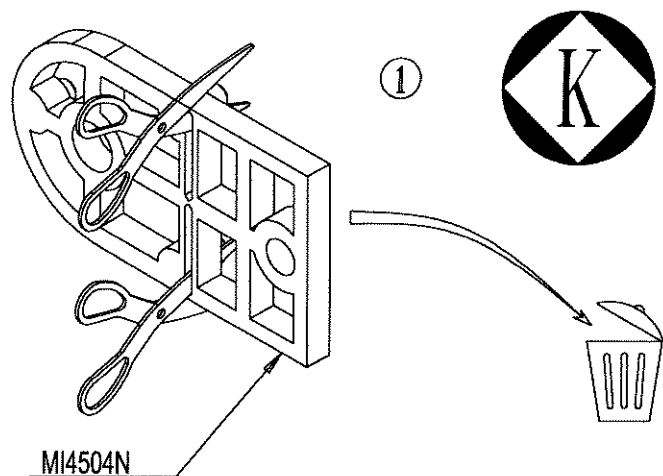
MI2502N + VGC8*55I



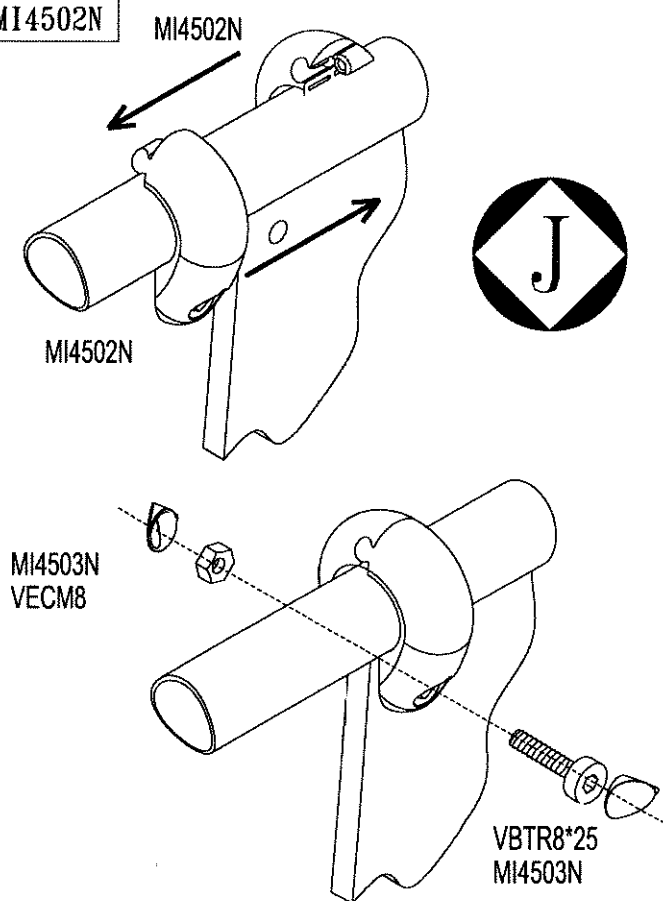
MI2502N



MI4502N + MI4504N

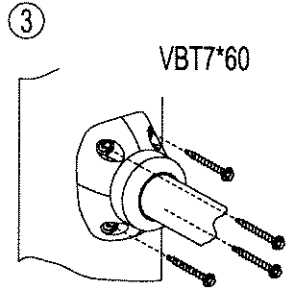
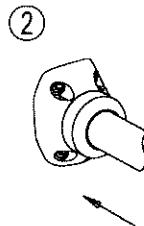
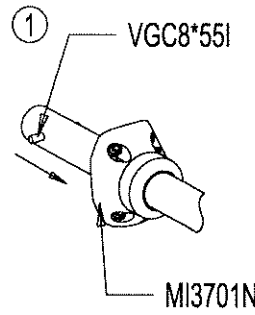
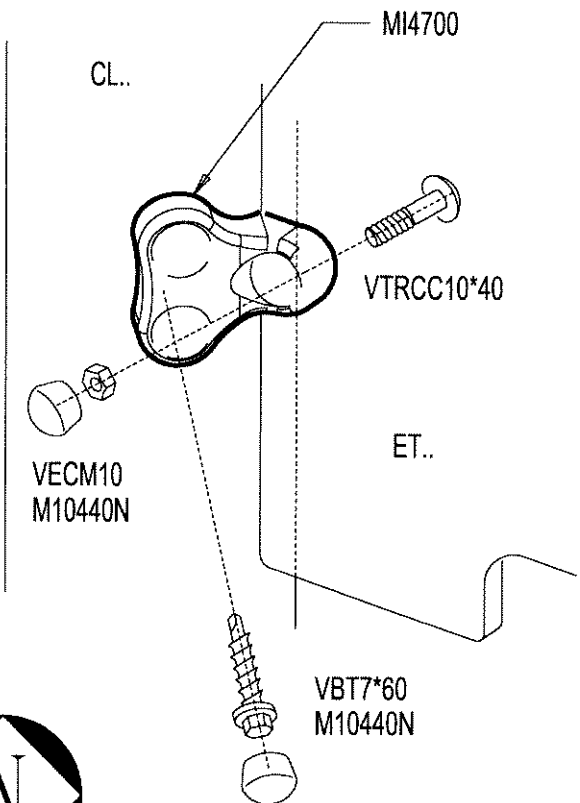


MI4502N

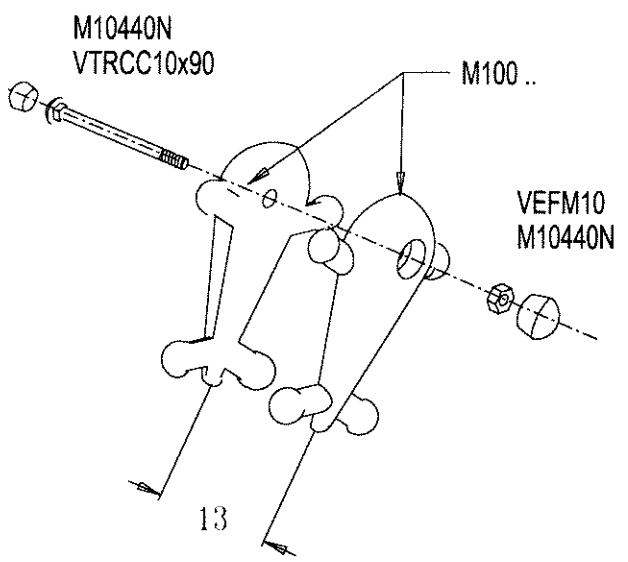
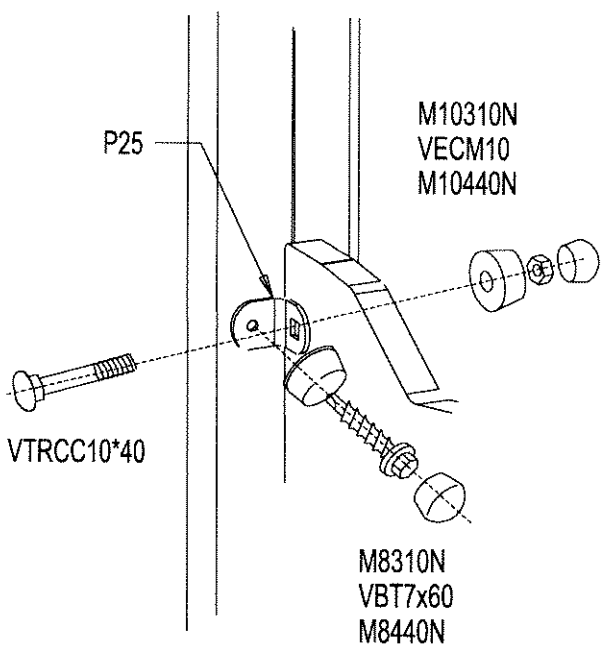


MI4700

MI3701N



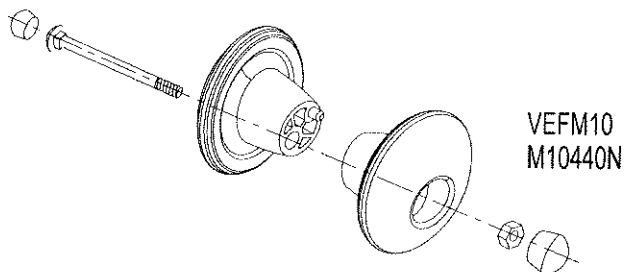
M100..



MI4700

MI3701N

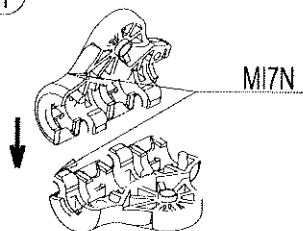
M10440N
VTRCC10x100



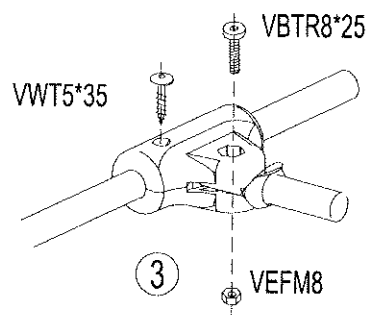
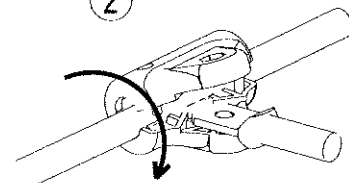
VEFM10
M10440N



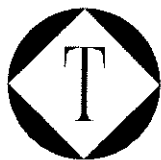
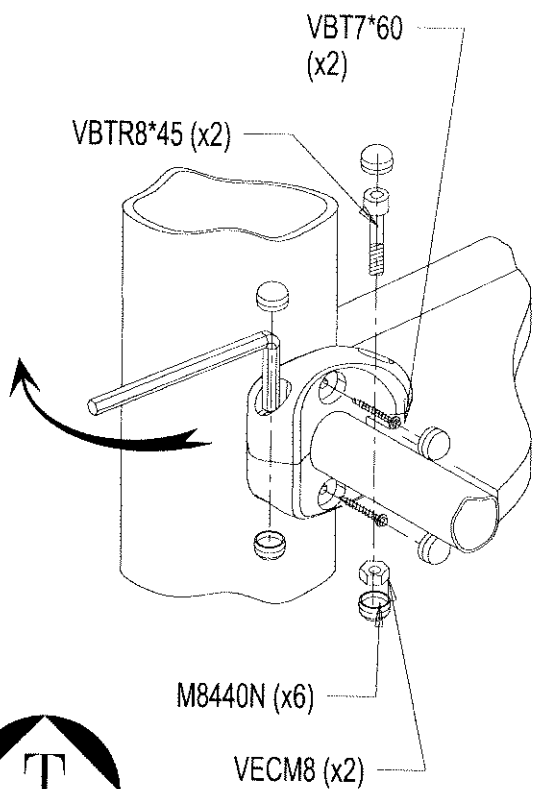
①



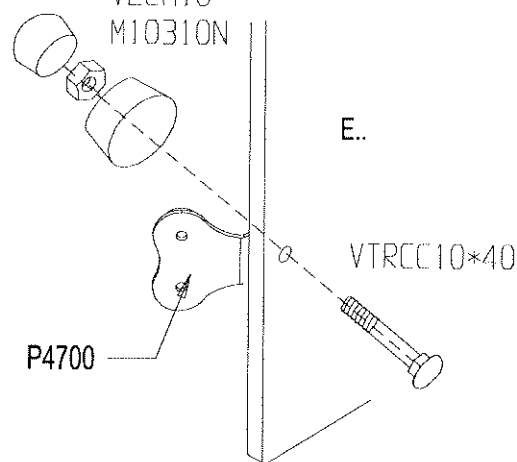
②



MI4509



M10440N
VECM10
M10310N

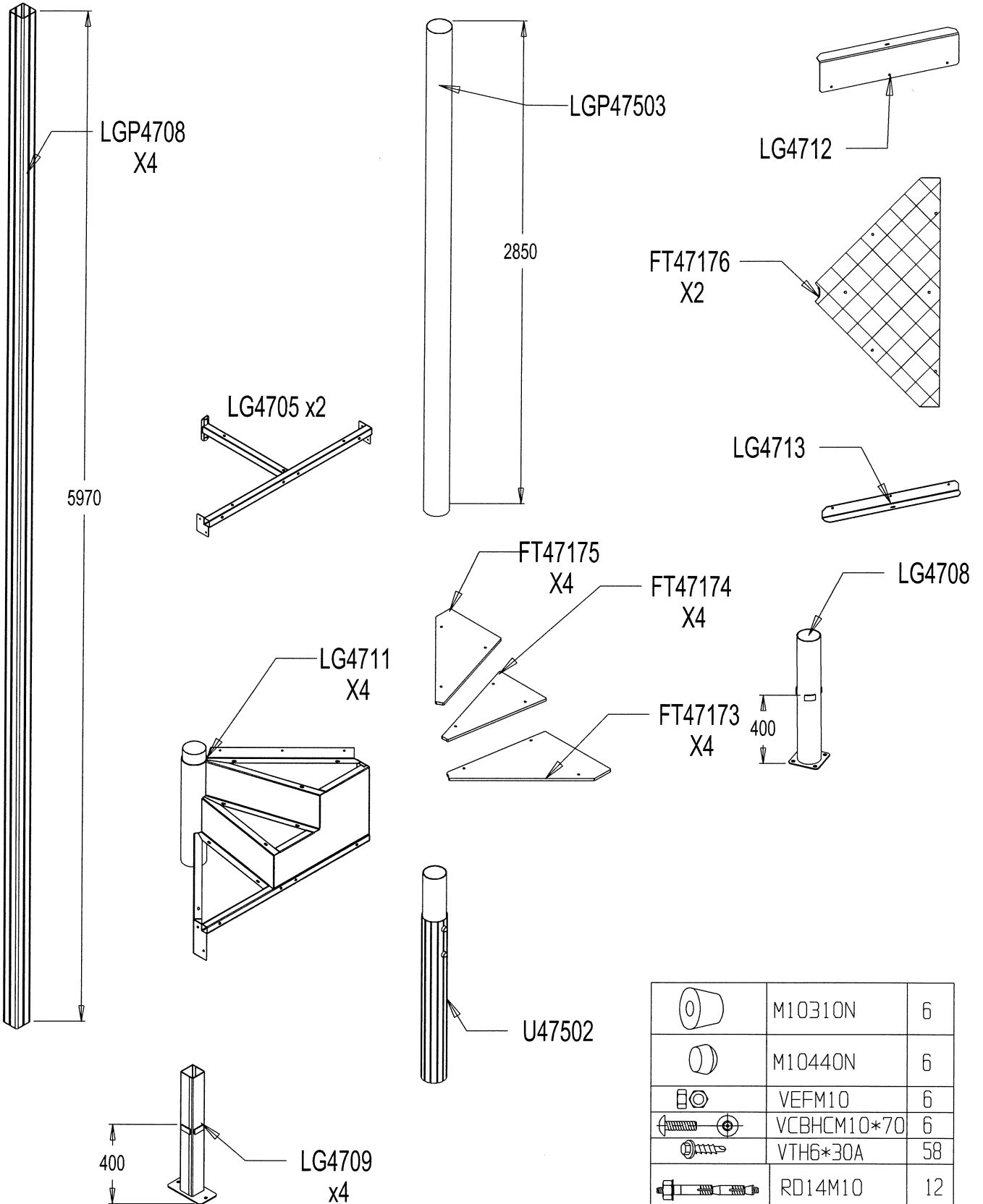




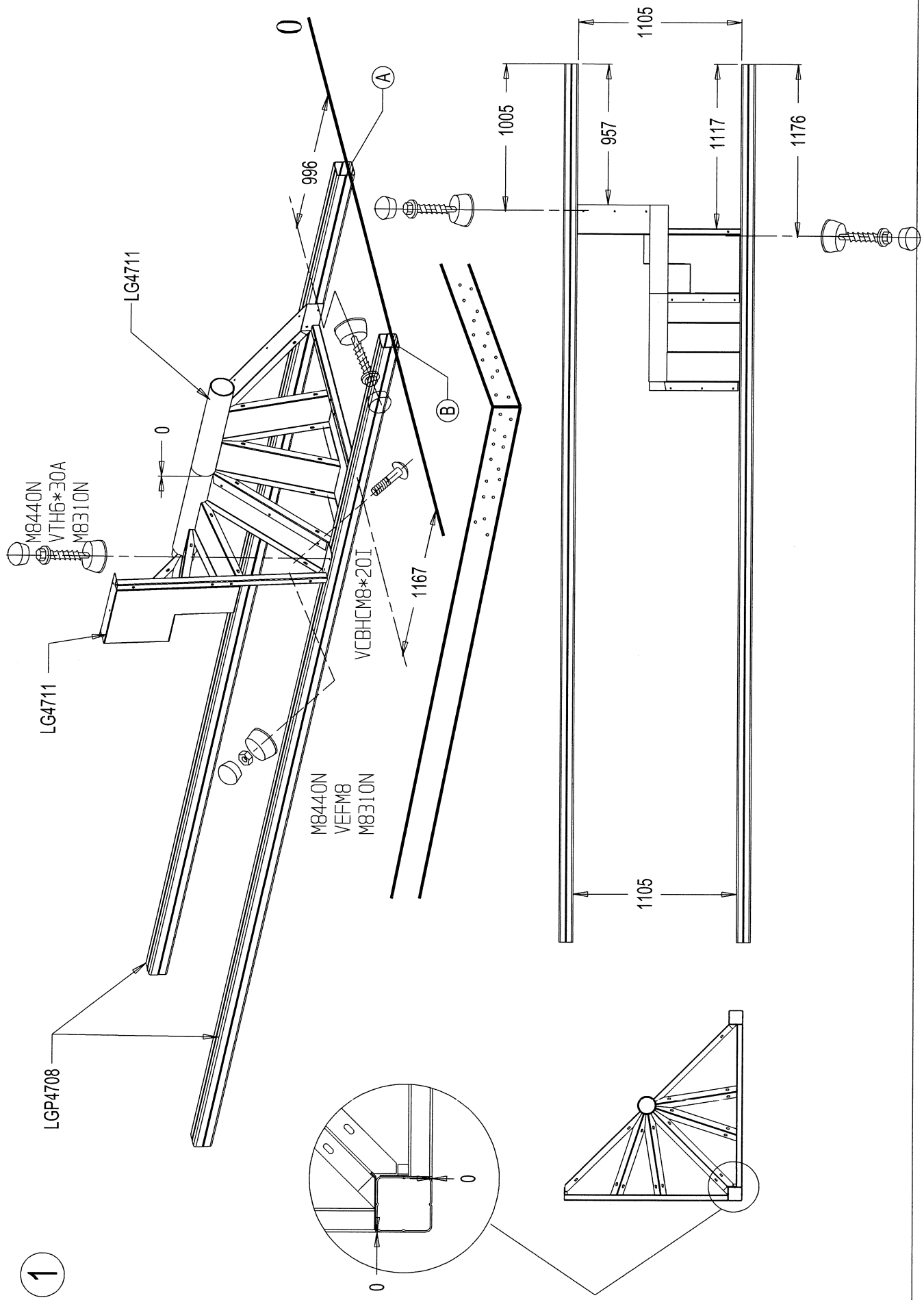


Escalier 4 Modules

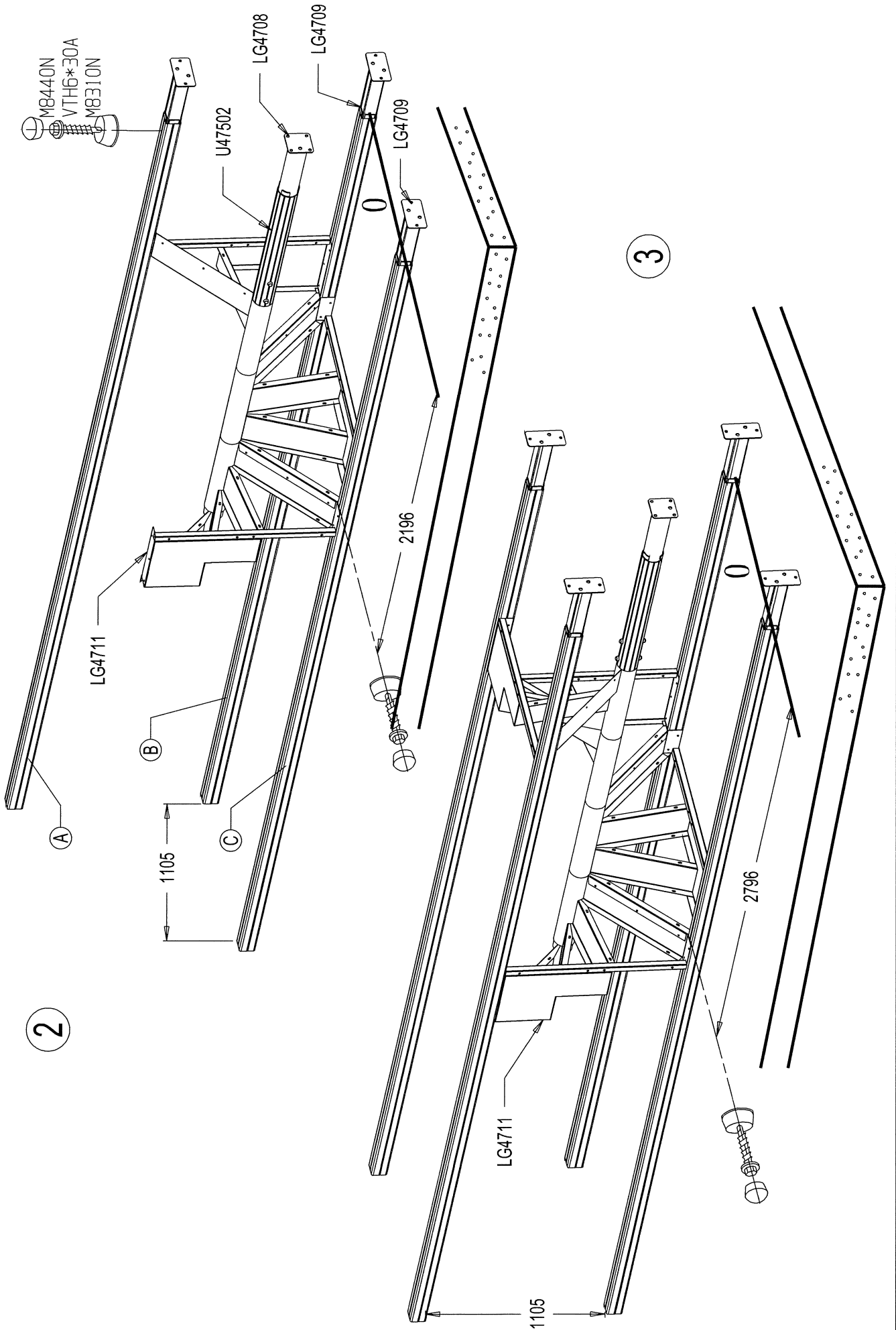
17/08/2014 *Projudic*



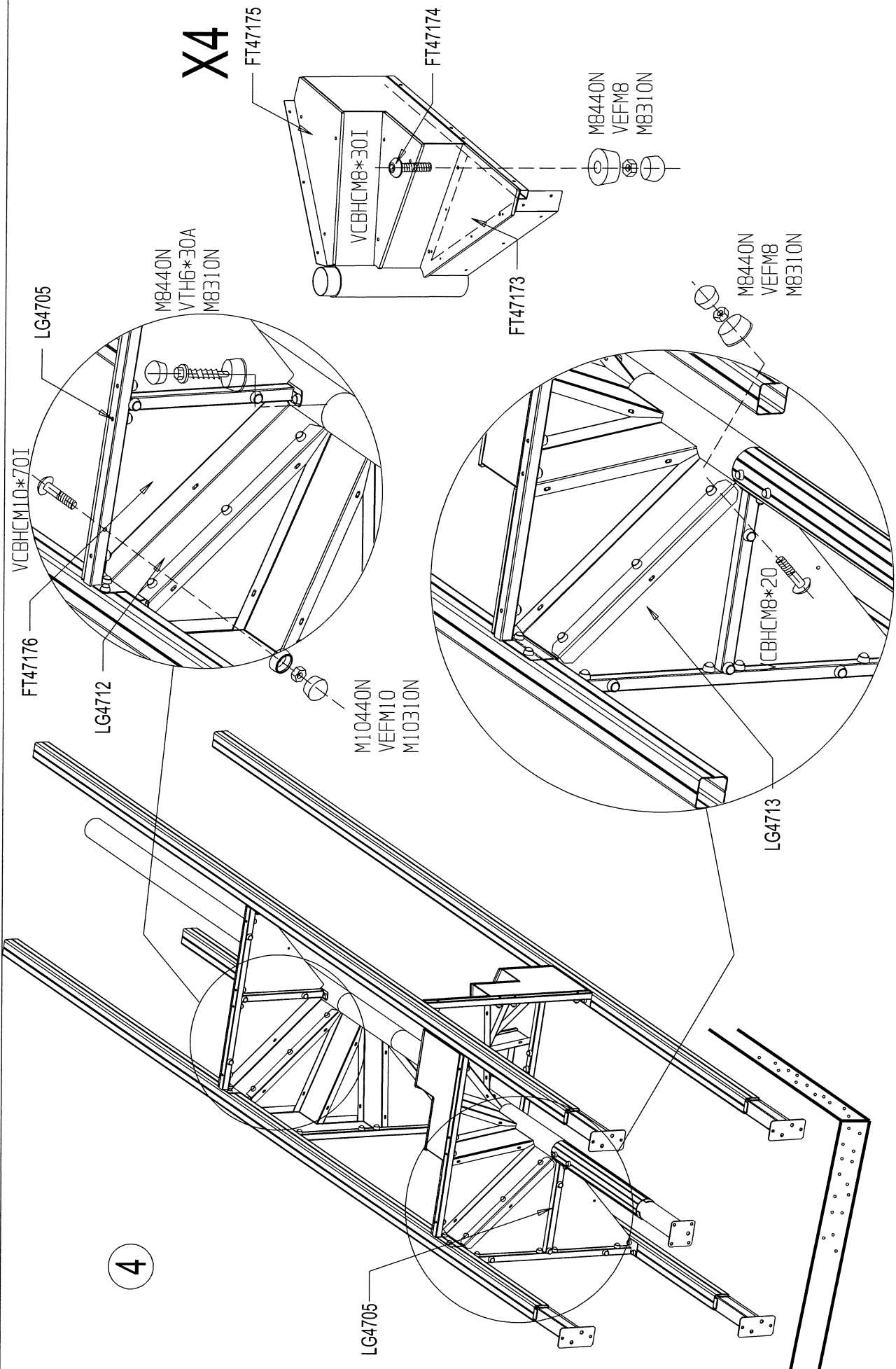
	M10310N	6
	M10440N	6
	VEFM10	6
	VCBHCM10*70	6
	VTH6*30A	58
	RD14M10	12
	VCBHCM8*30I	36
	VCBHCM8*20I	6
	M8310N	100
	M8440N	100
	VEFM8	42

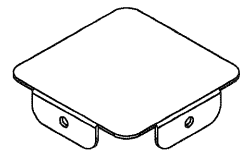
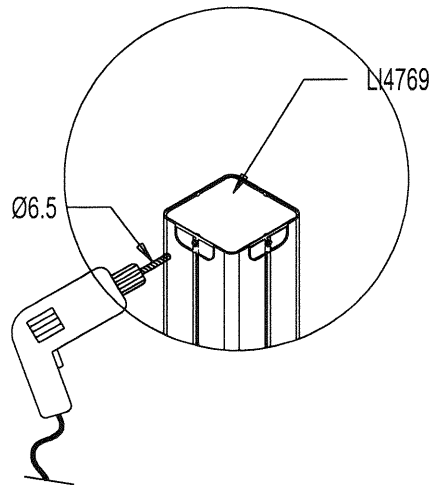
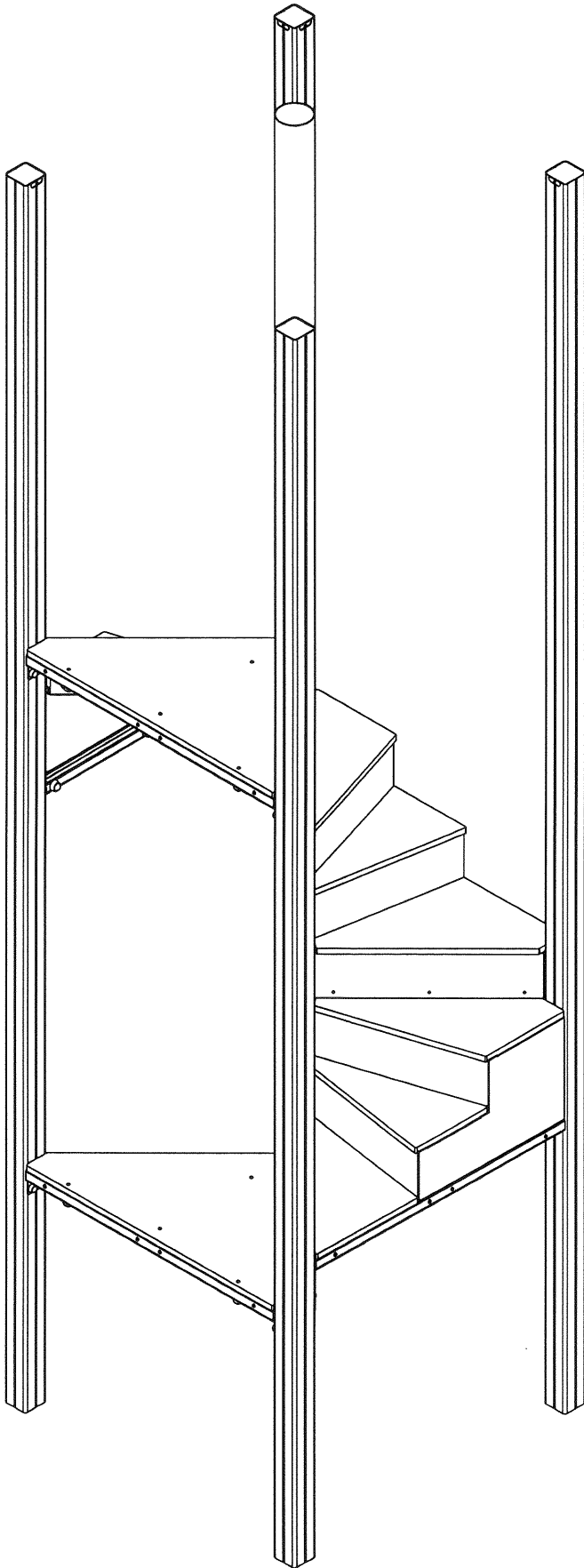


1

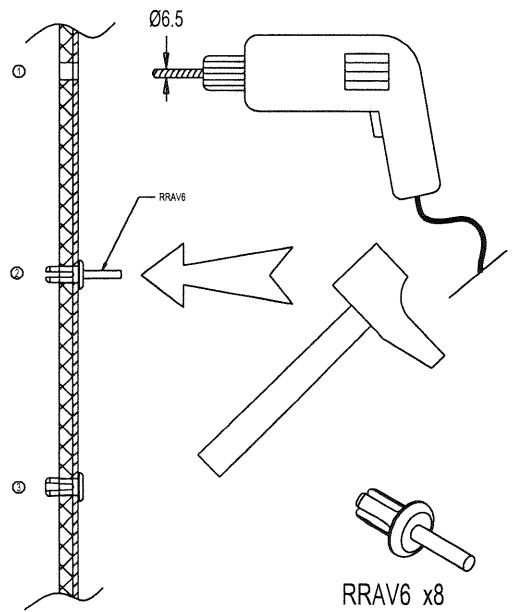


X4

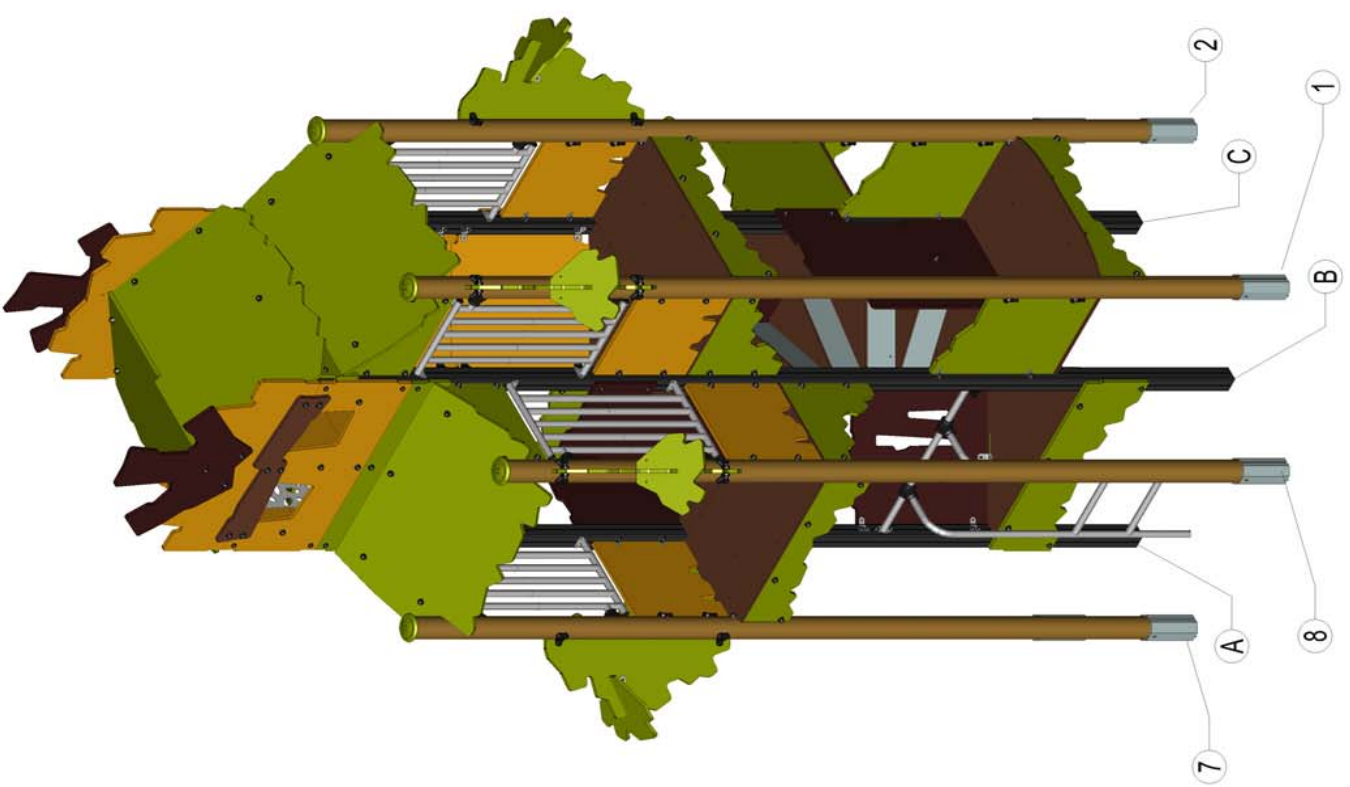
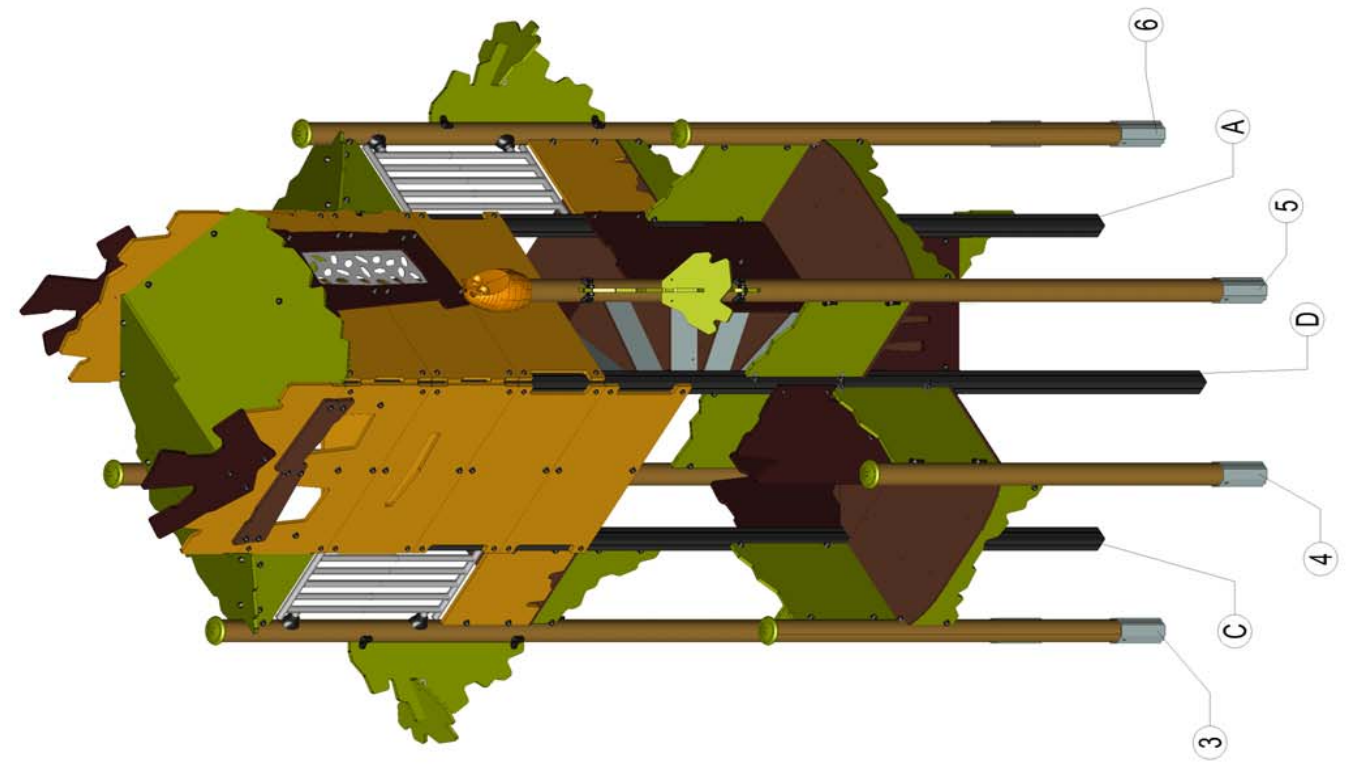


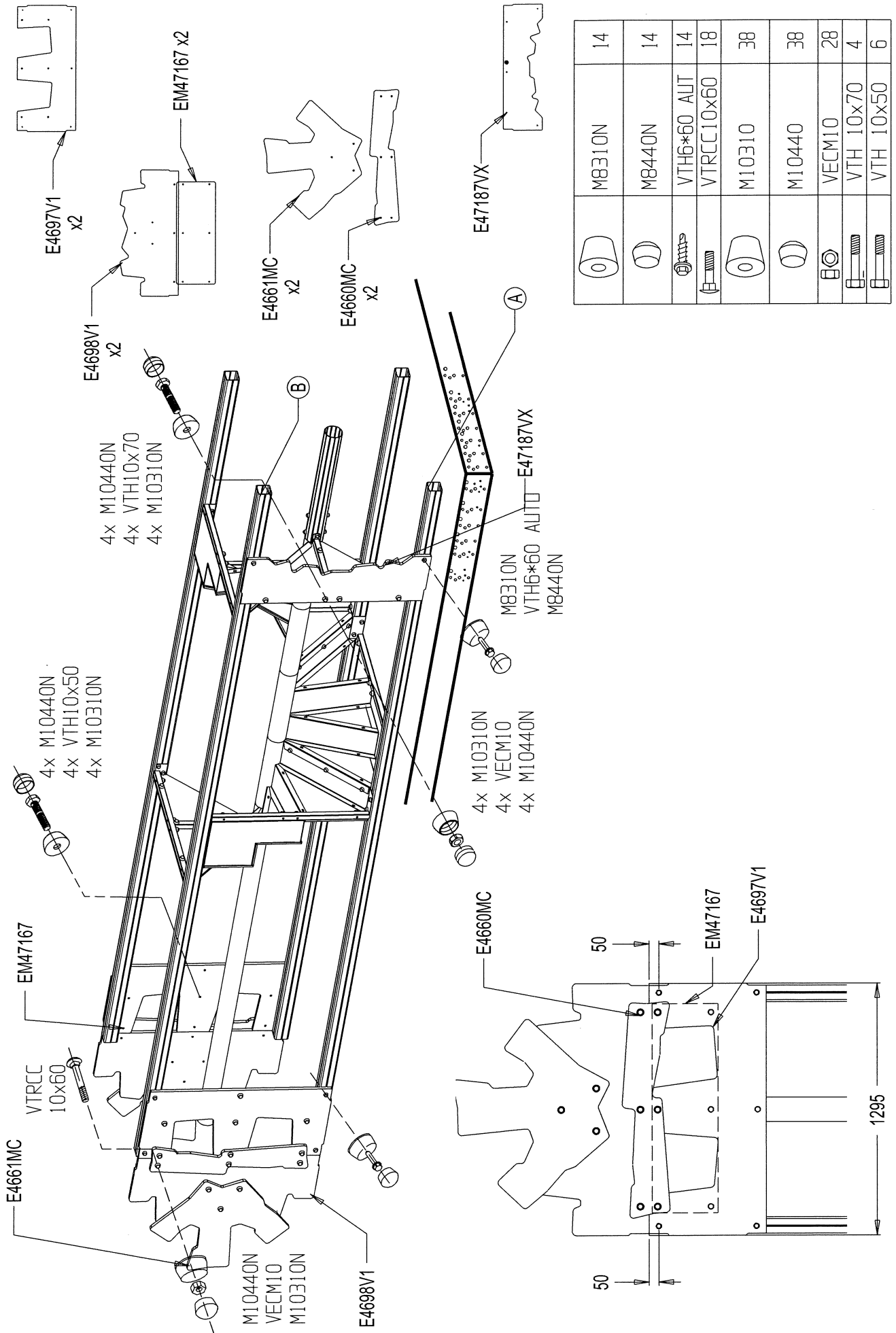


L14769 x4

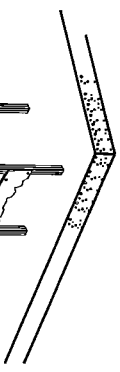
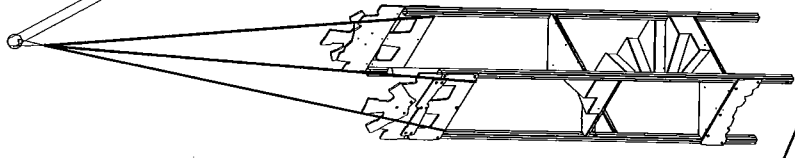
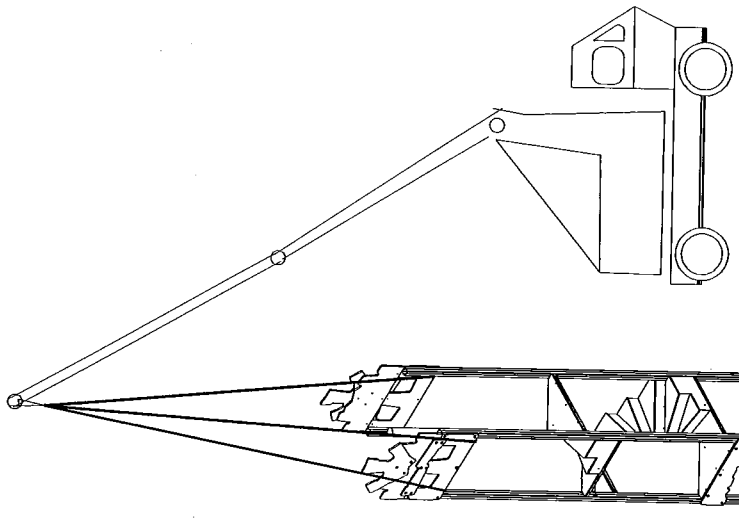
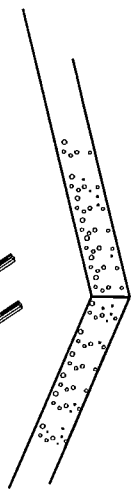
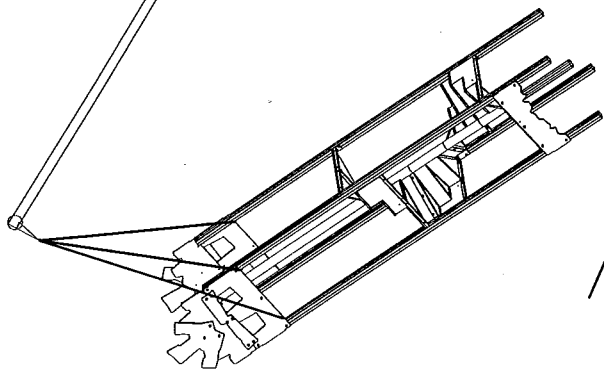
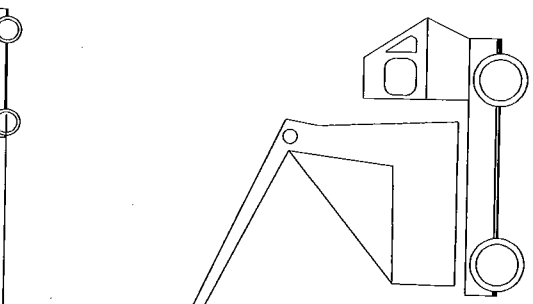
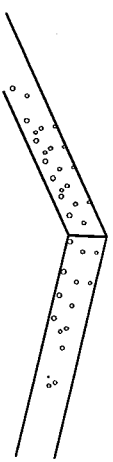
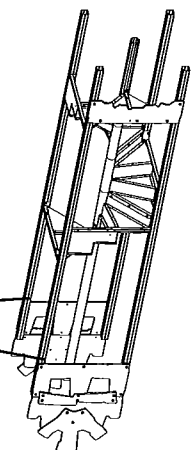
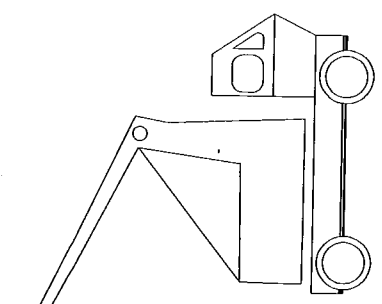
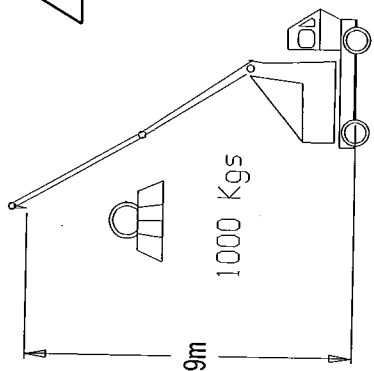


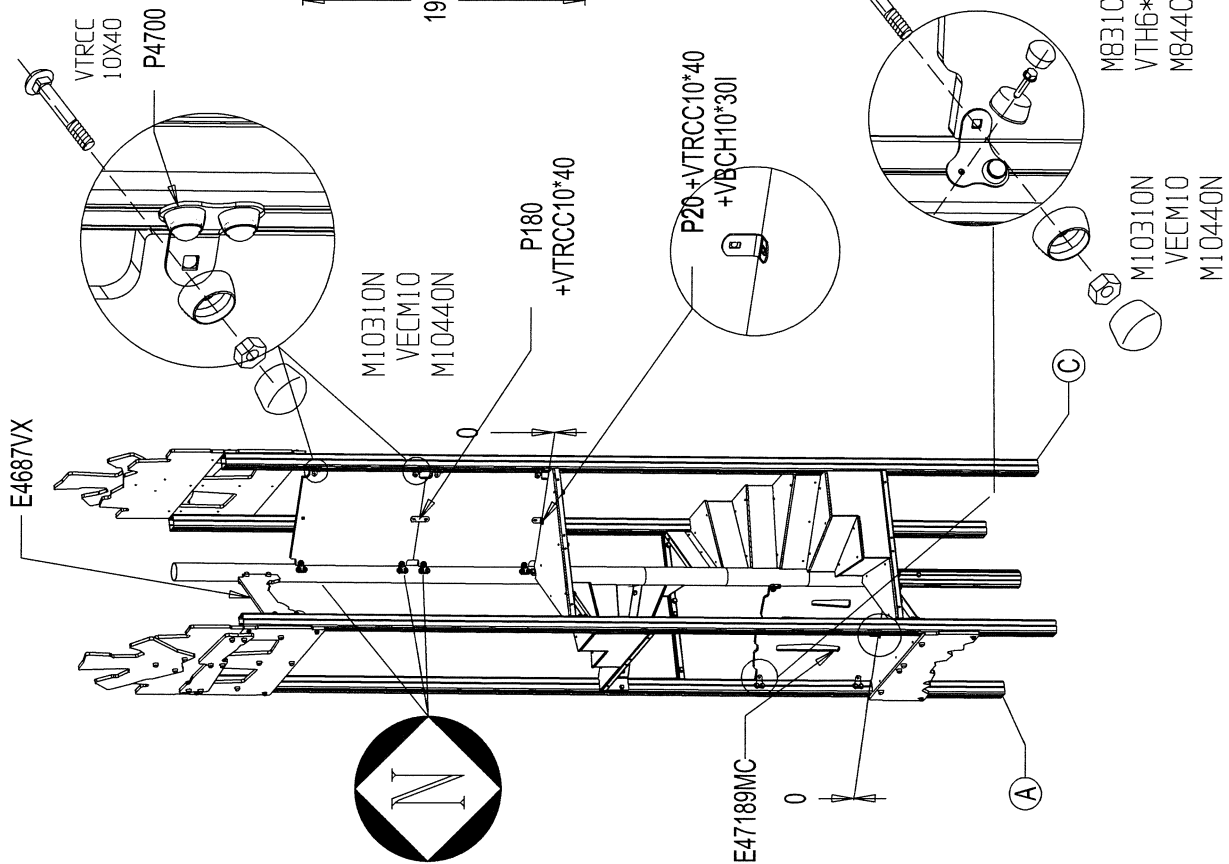
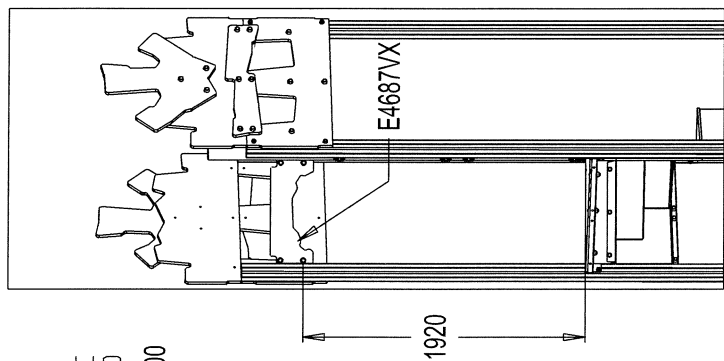
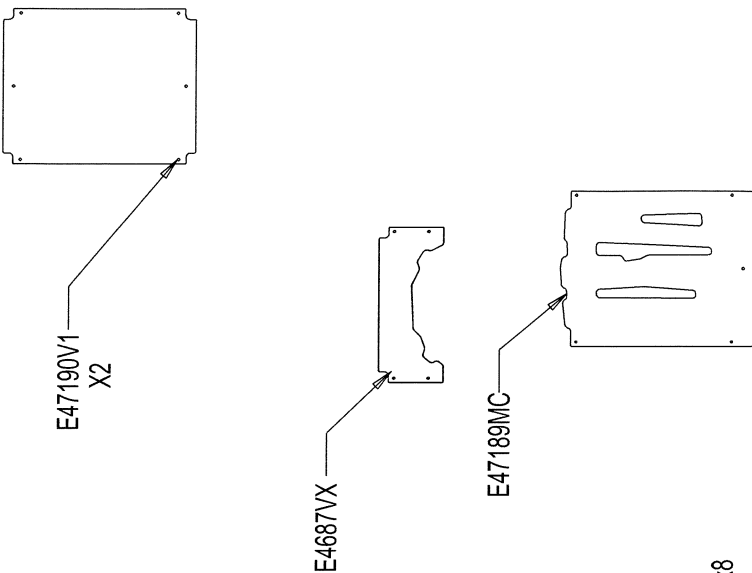
RRAV6 x8





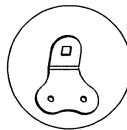
	M8310N	14
	M8440N	14
	VTH6*60 ALUT	14
	VTRCC10x60	18
	M10310	38
	M10440	38
	VECM10	28
	VTH 10x70	4
	VTH 10x50	6



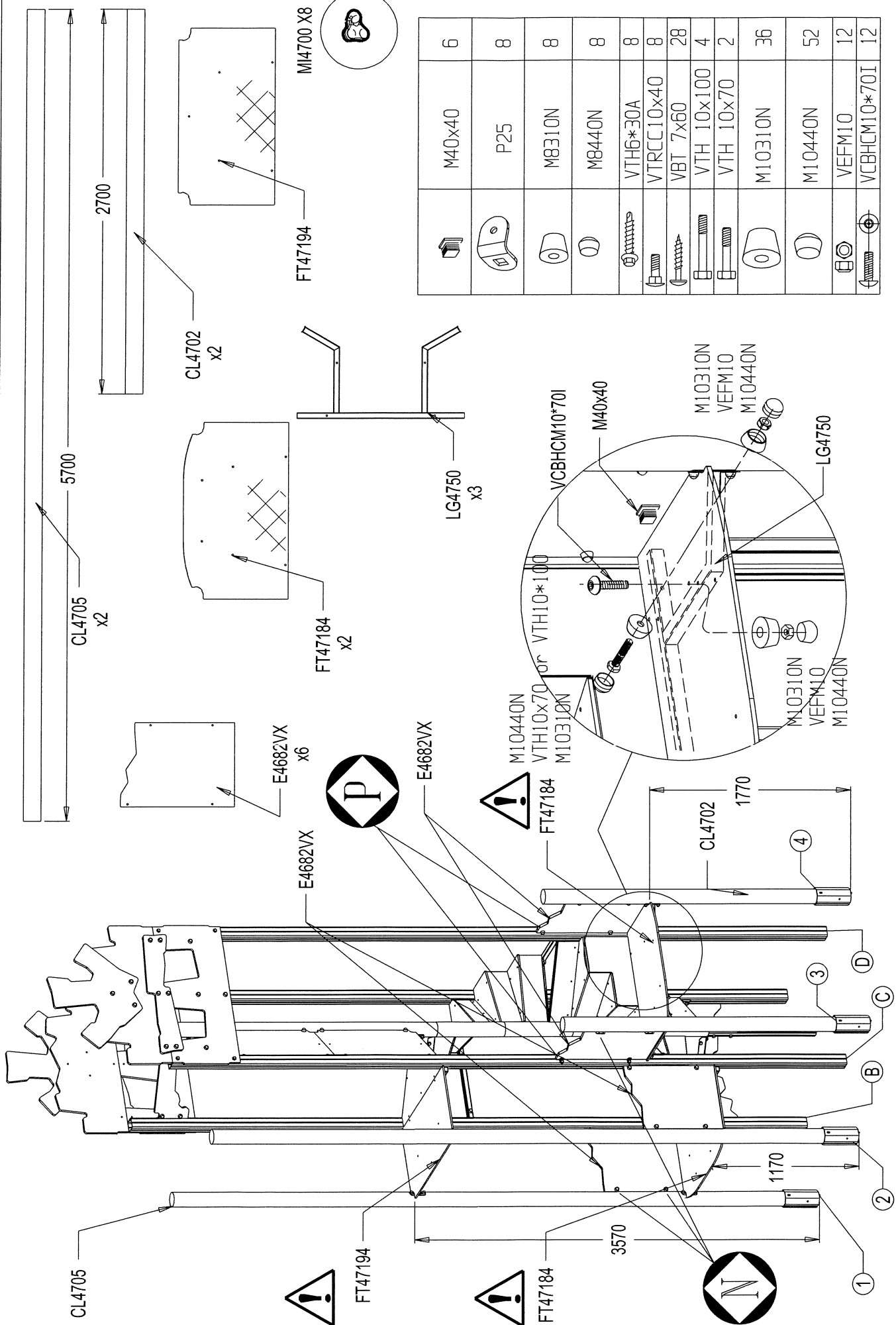


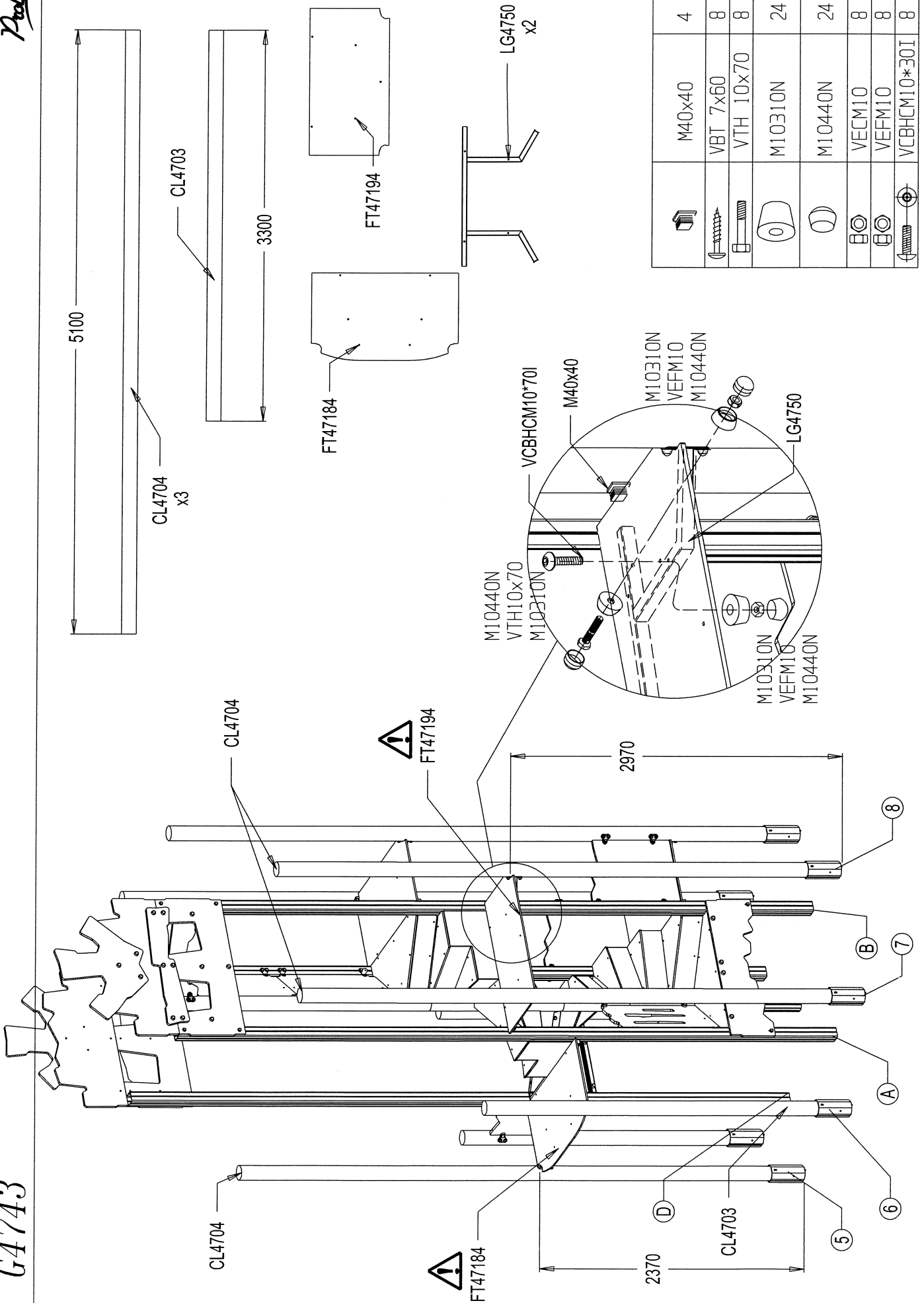
	P20	2
	P180	1
	M831ON	32
	M8440N	32
	VTRCC10x40	21
	VTH6*30A	32
	M1031ON	21
	M10440N	21
	VECM10	16

P4700 x8

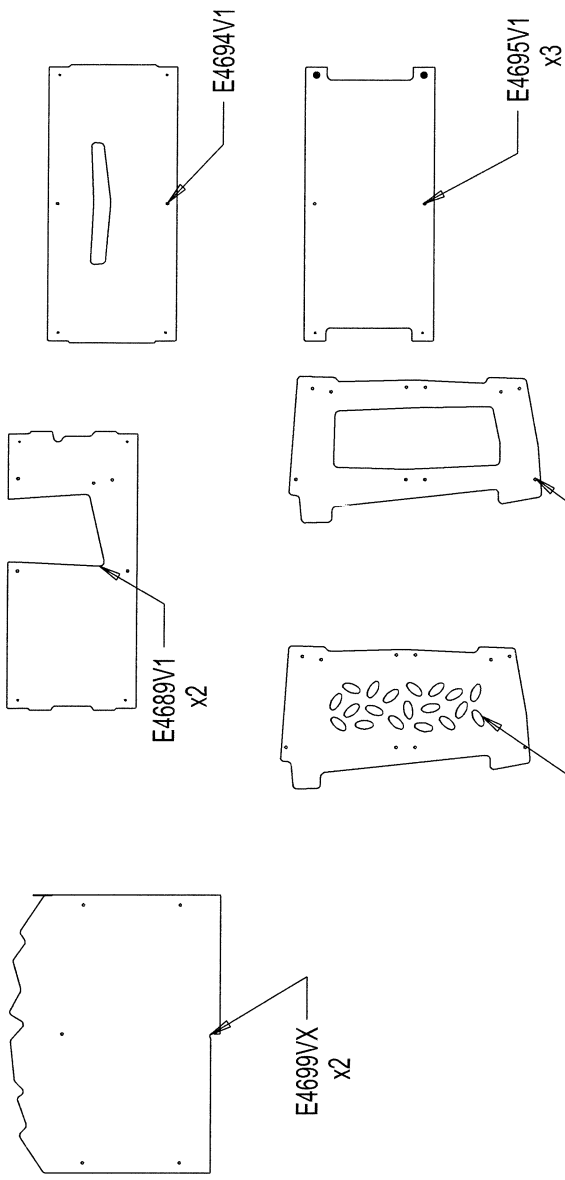
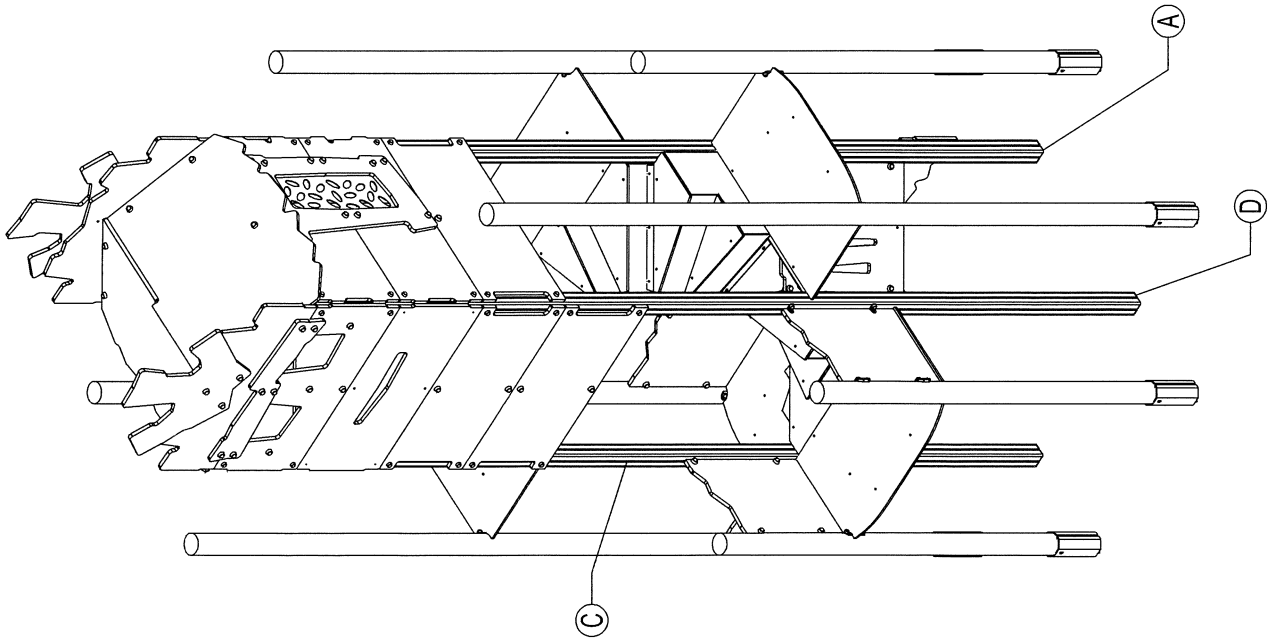


M4700 x8

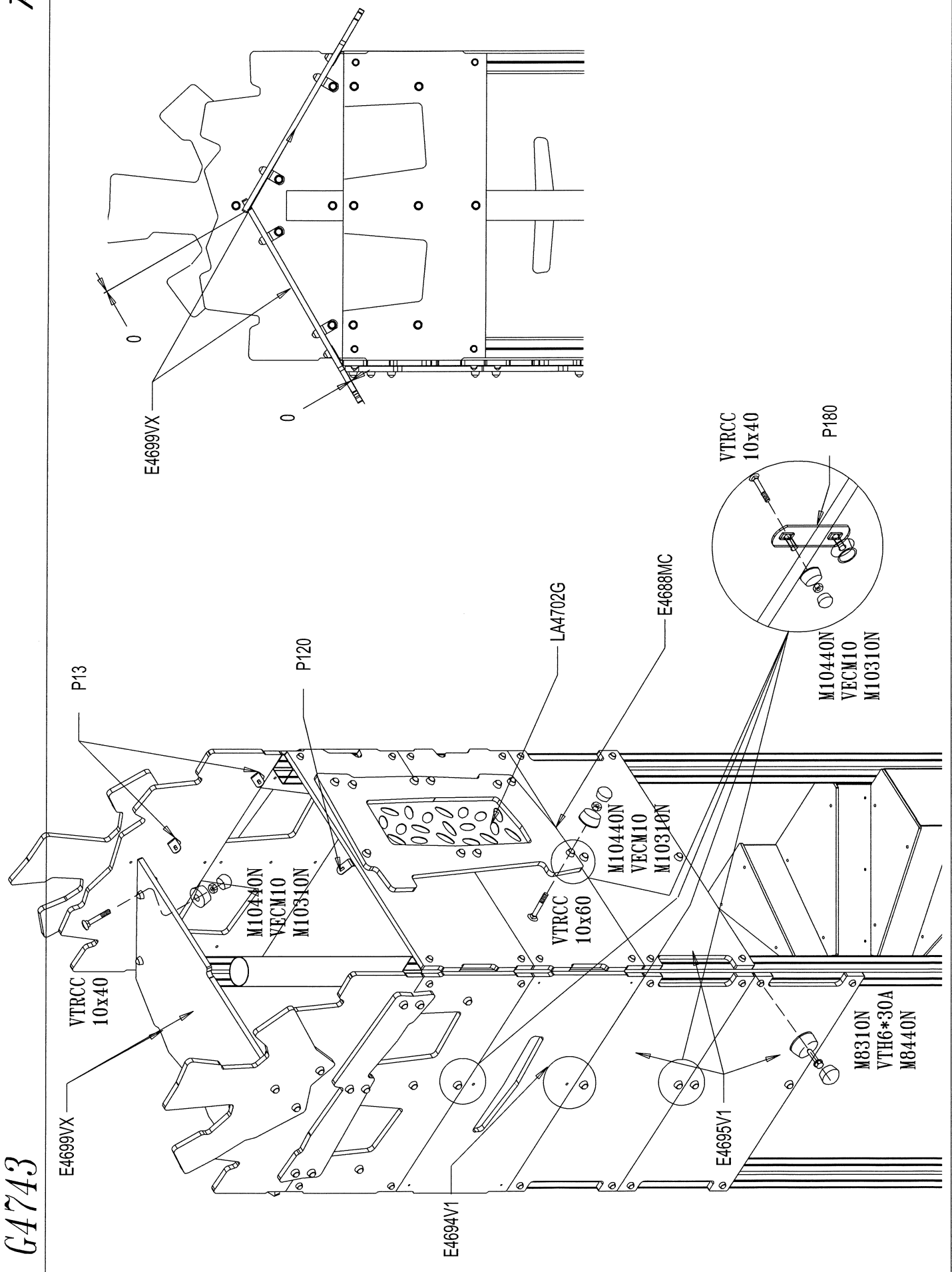


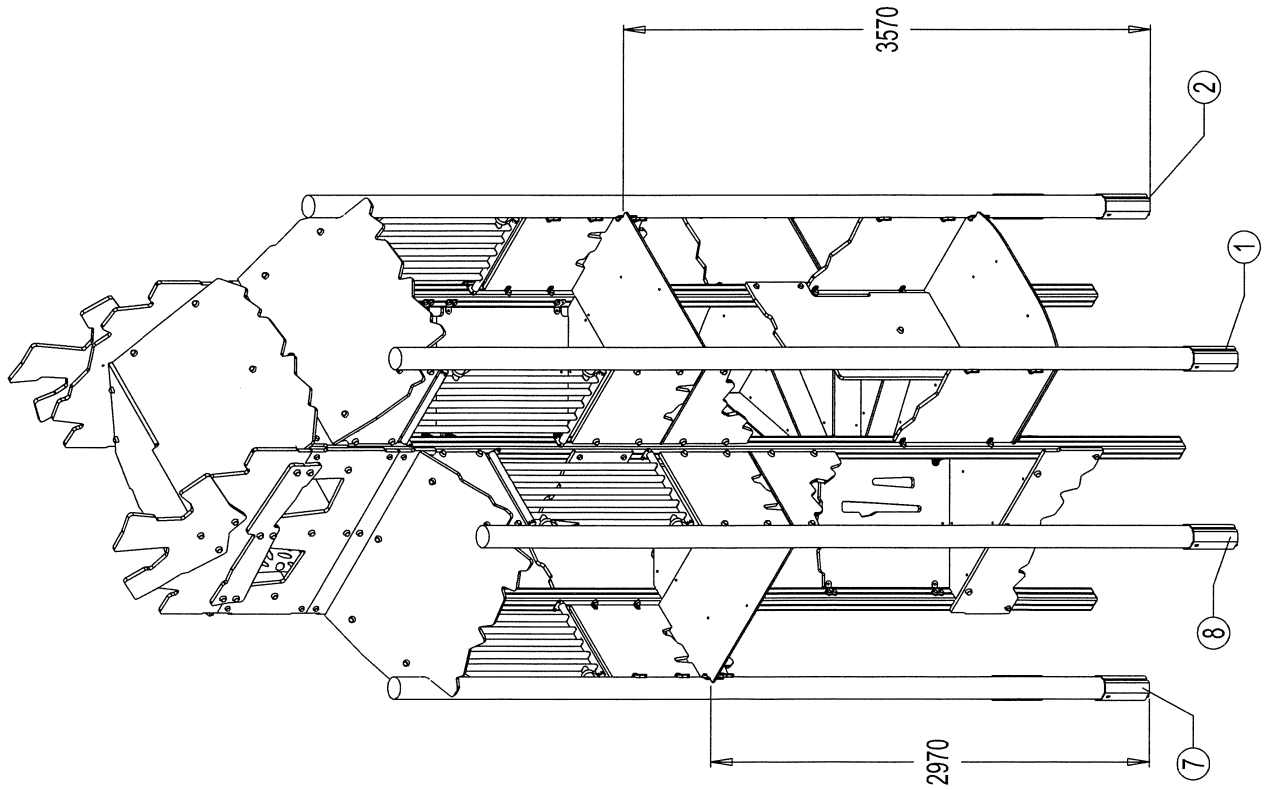


	M40x40	4
	VBT 7x60	8
	VTH 10x70	8
	M10310N	24
	M10440N	24
	VECM10	8
	VEFM10	8
	VCBHC10*30I	8

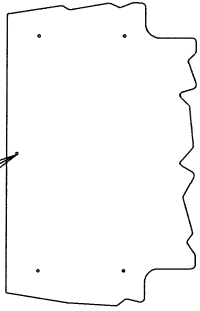


	M8310N	24
	M8440N	24
	VTH6*30A	24
	M10310	38
	M10440	38
	VECM10	38
	VTRCC10x40	19
	VTRCC10x60	19
	70 mm	120° : P120 2
	90°	70 mm : P13 8
	70 mm	180° : P180 4

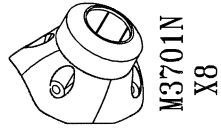
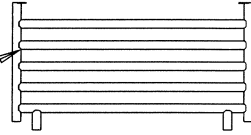




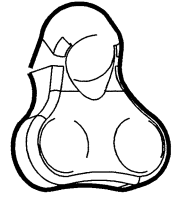
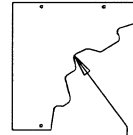
E4669VX
X2



LI4751
X4



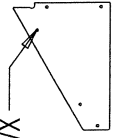
E4667VX
X4



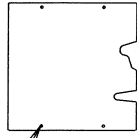
E4670VX
X2



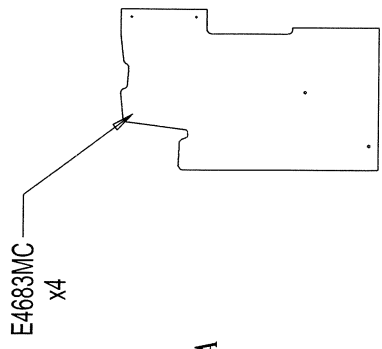
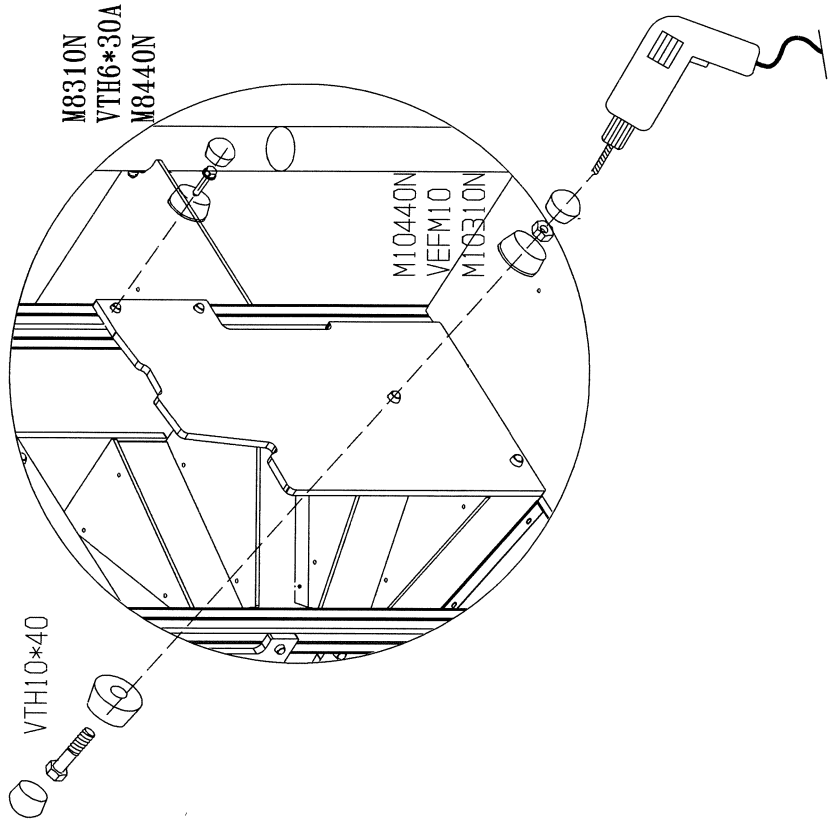
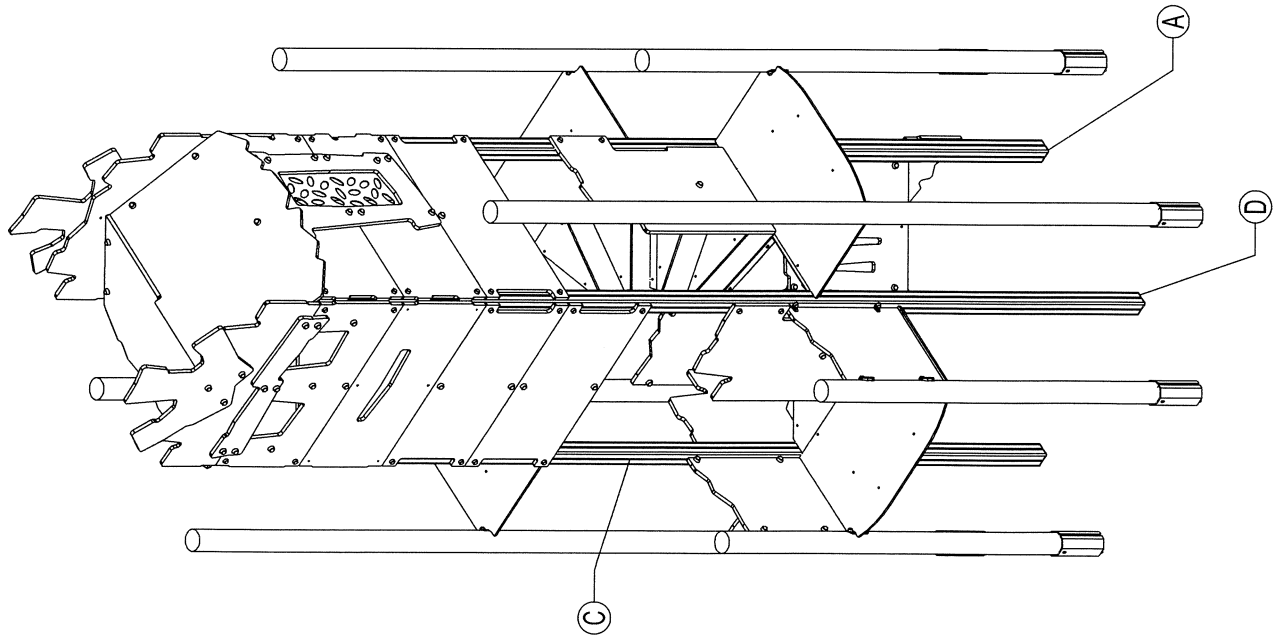
E4671VX
X4



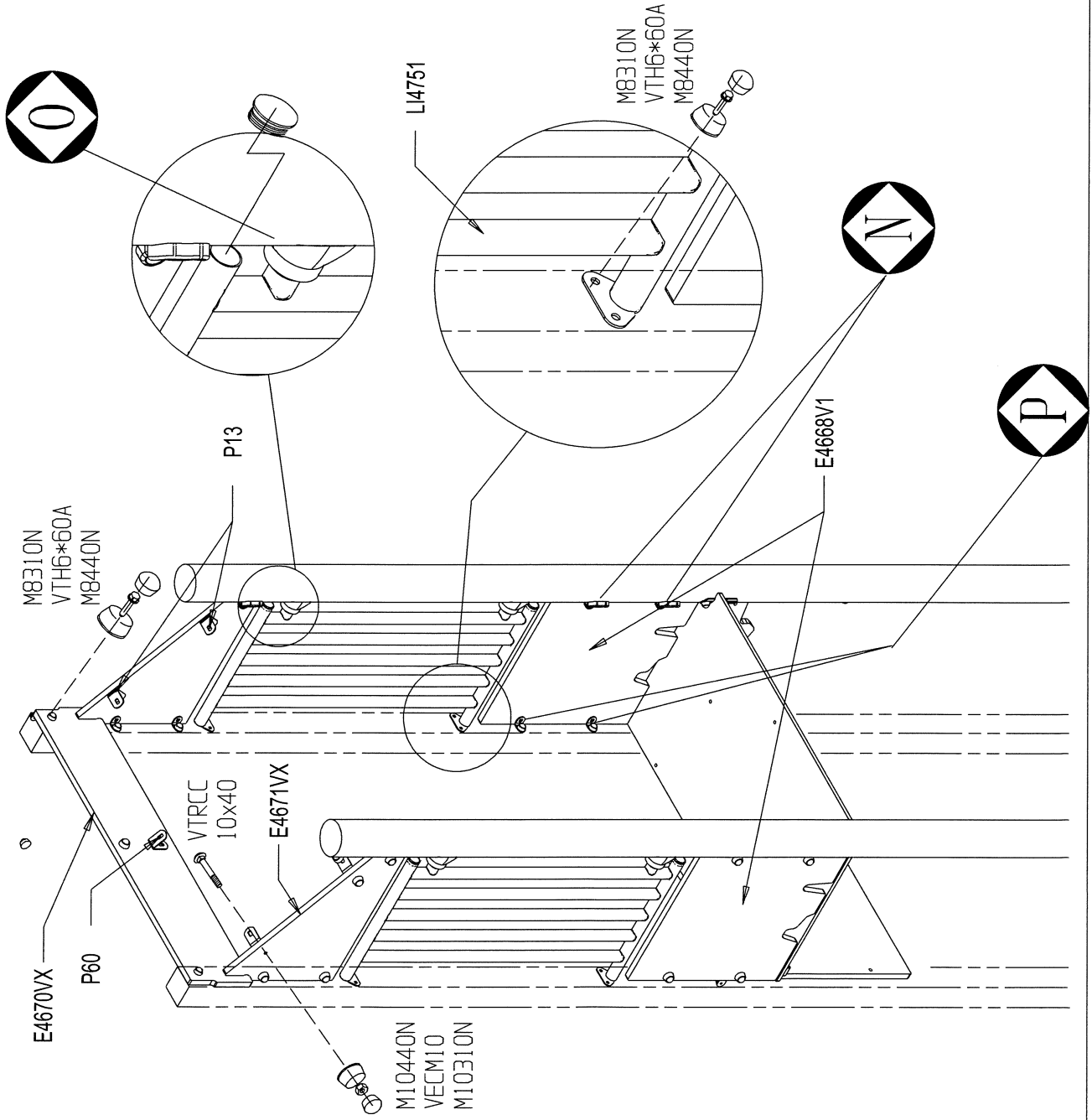
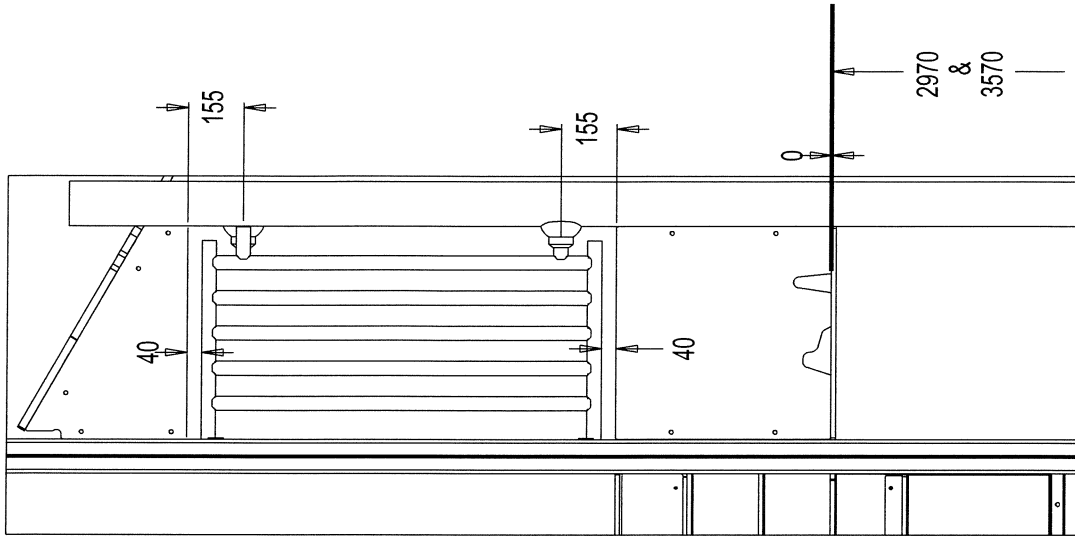
E4668V1
X4

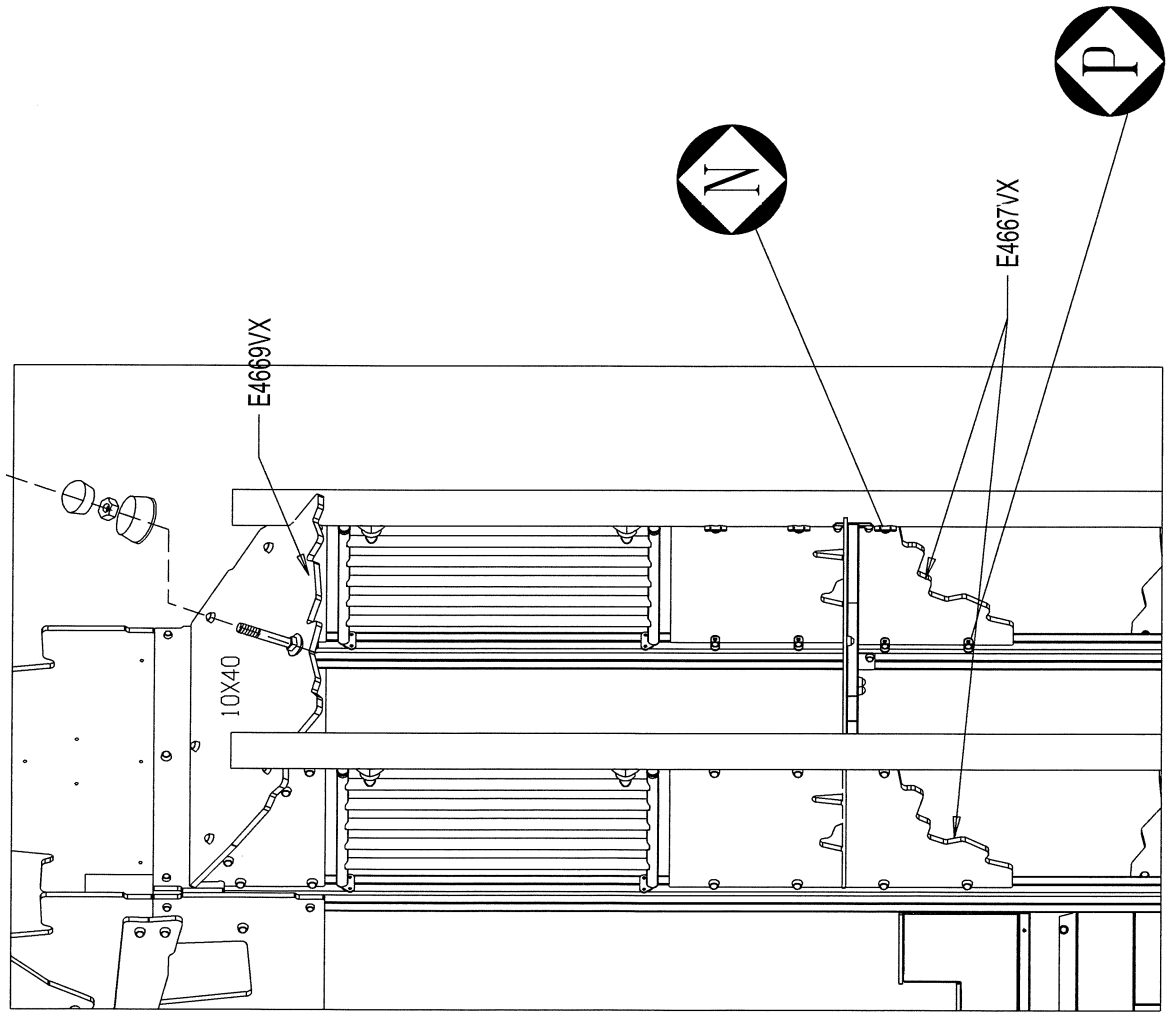
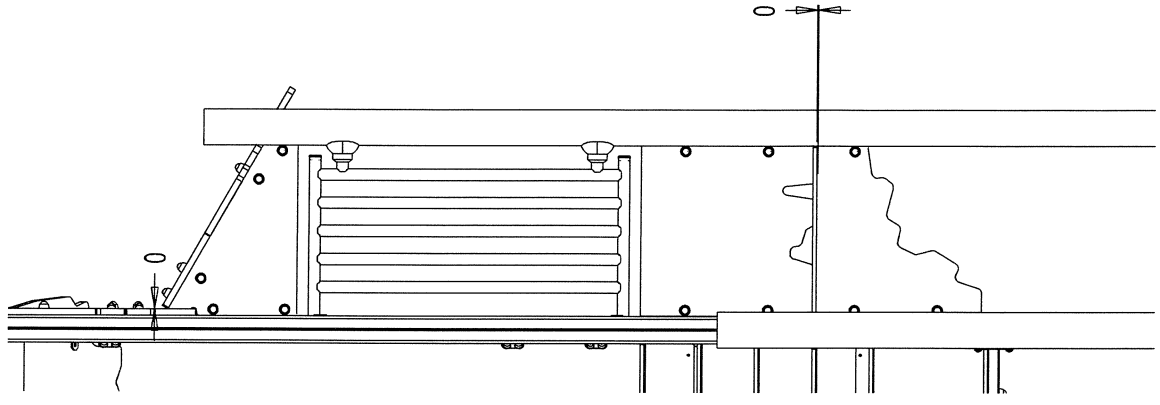


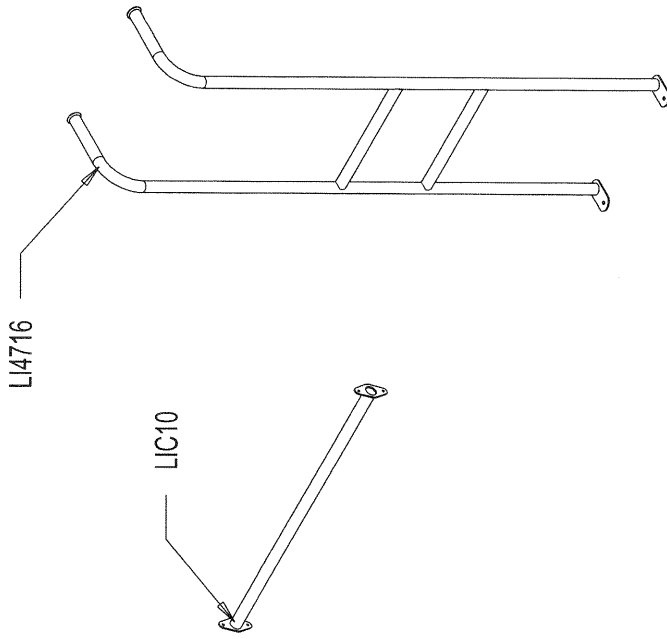
	P25	24
	VTRCC10x40	50
	VBT 7x60	32
	M42	8
	70 mm :P60	1
	70 mm :P13	4
	M10310N	34
	M10440N	82
	VECM10	50
	M8310N	40
	M8440N	40
	VTH6*30A	44
	VTH 6x60 AUTO	32



	M8310N	8
	M8440N	8
	VTH6*30A	8
	M10310N	8
	M10440N	8
	VEFM10	2
	VTH10x40	4

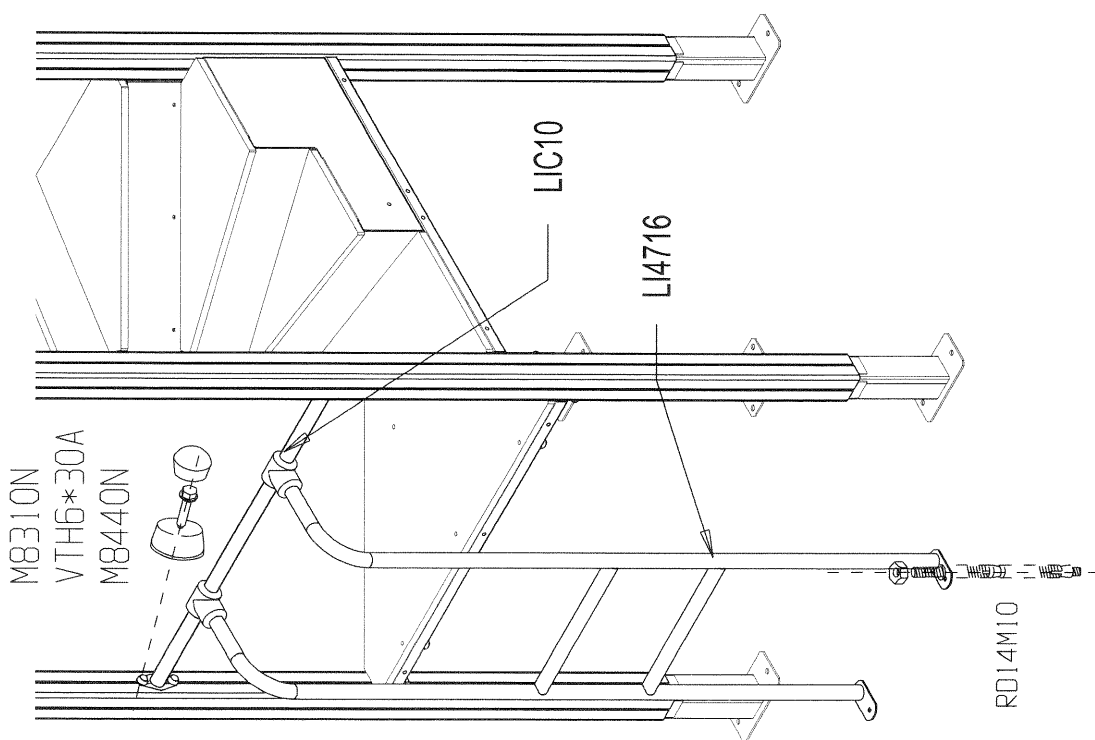
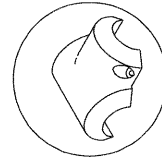


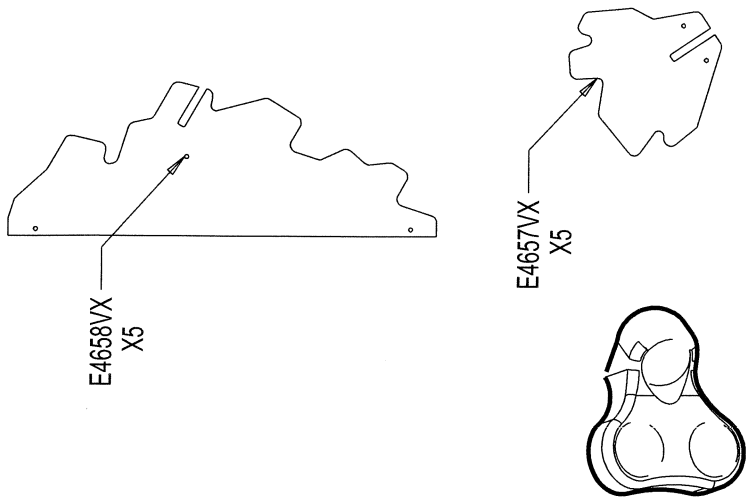




	M8310N	4
	M8440N	4
	VTH6*30A	4
	VCZX 6x25	8
	VEBM6	4
	RD14M10	2

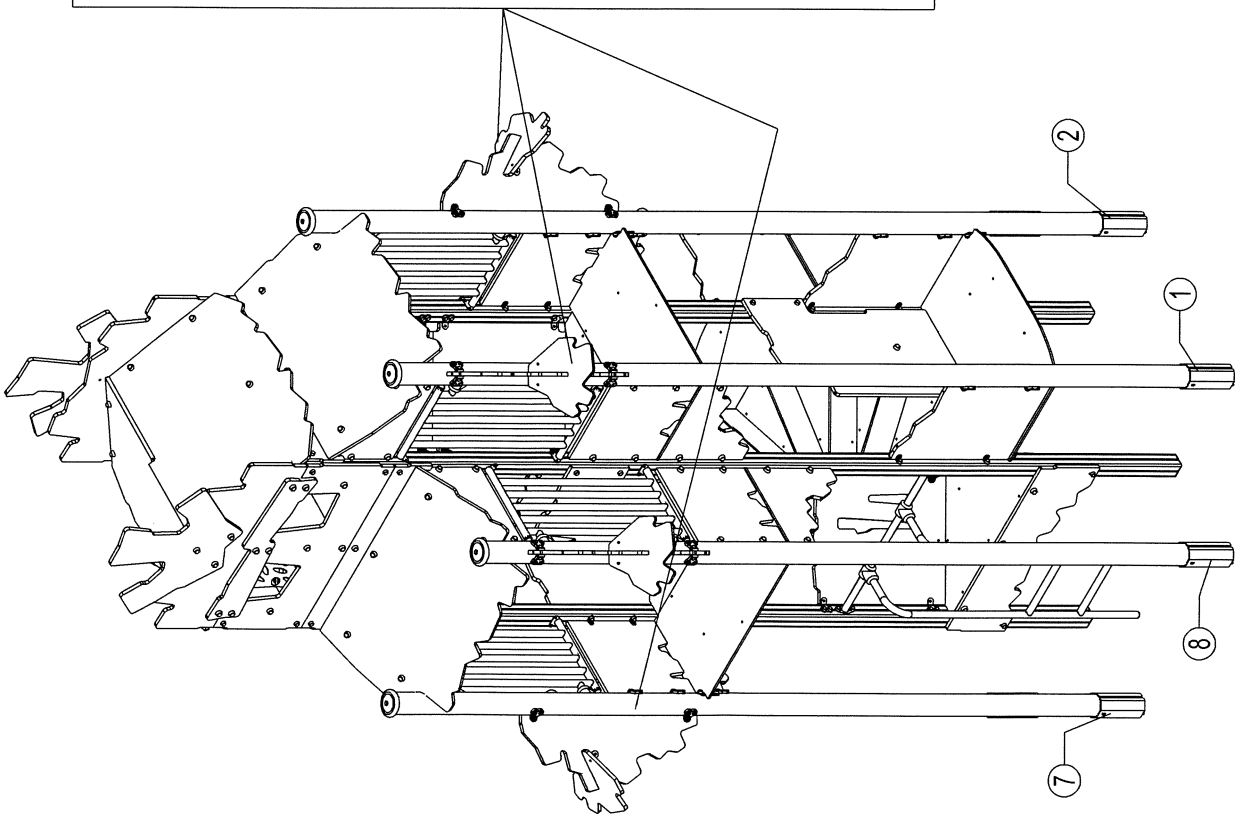
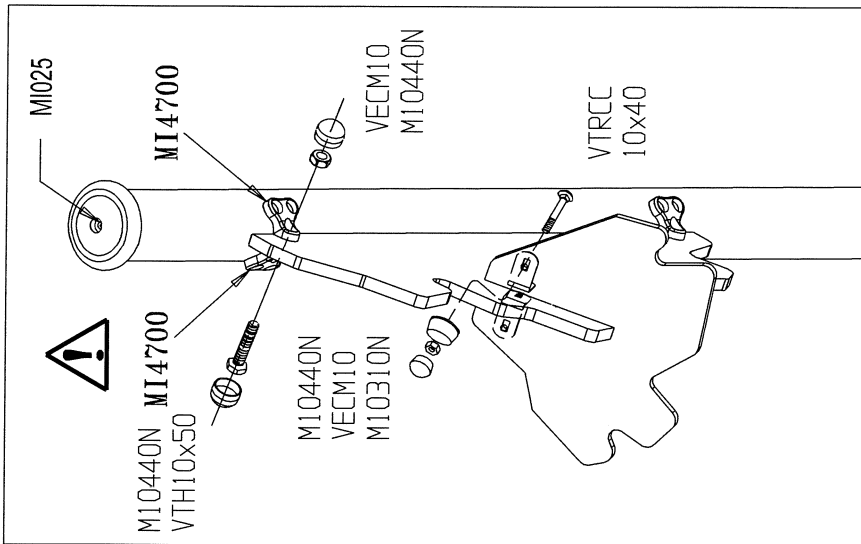
MI2502N x4

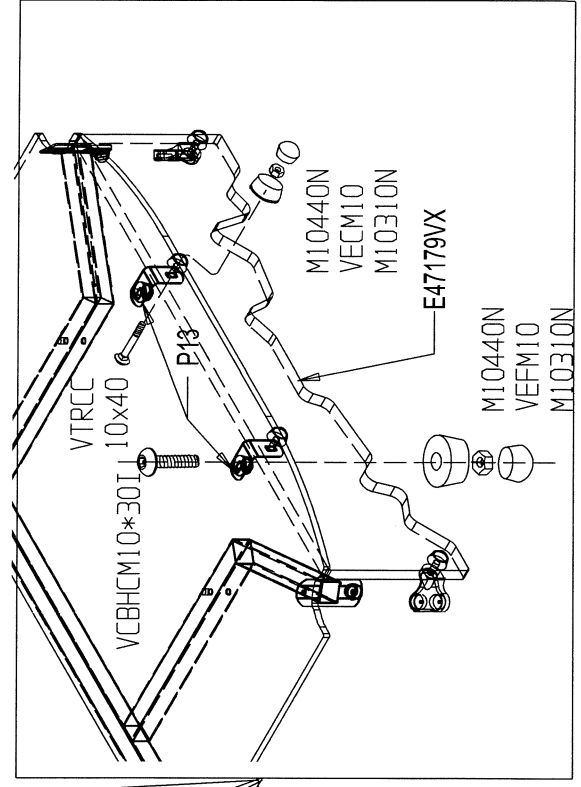
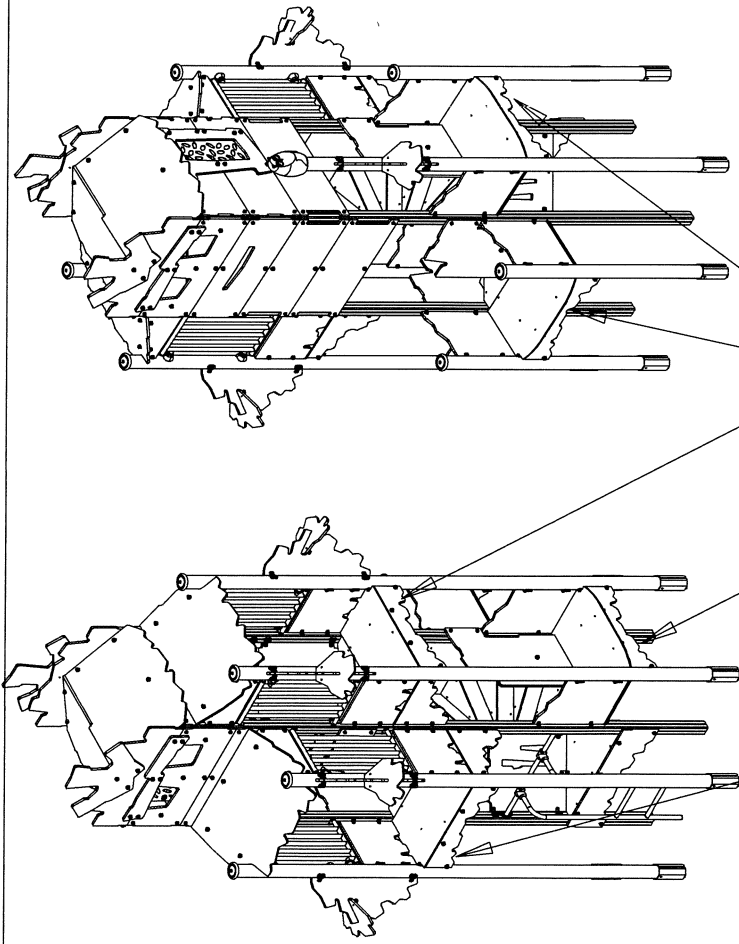




MI4700
X20

	VTH 10x70	10
	VTRCC 10x40	15
	VBT 7x60	45
	70 mm :P13	10
	M10310N	15
	M10440N	75
	VECM10	25

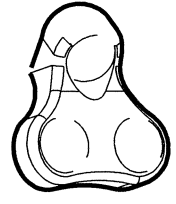




X5

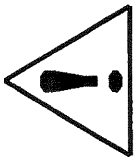


E47179VX x5

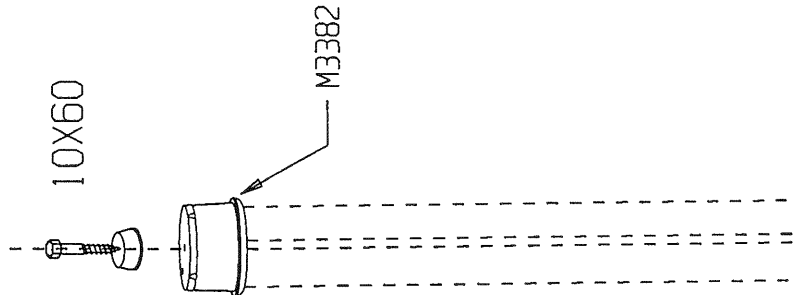


M14700
X10

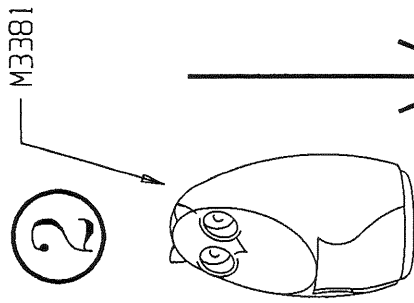
	VEFM10	20
	VCBHCM10*30I	20
	VTRCC10x40	10
	VBT 7x60	20
	70 mm : P13	10
	M10310N	20
	M10440N	40
	VECM10	10



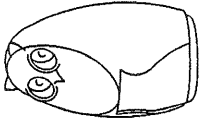
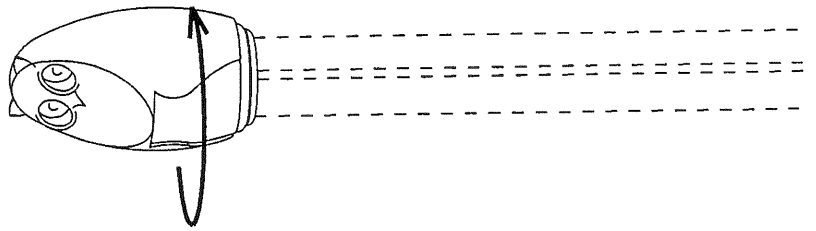
1



2





3

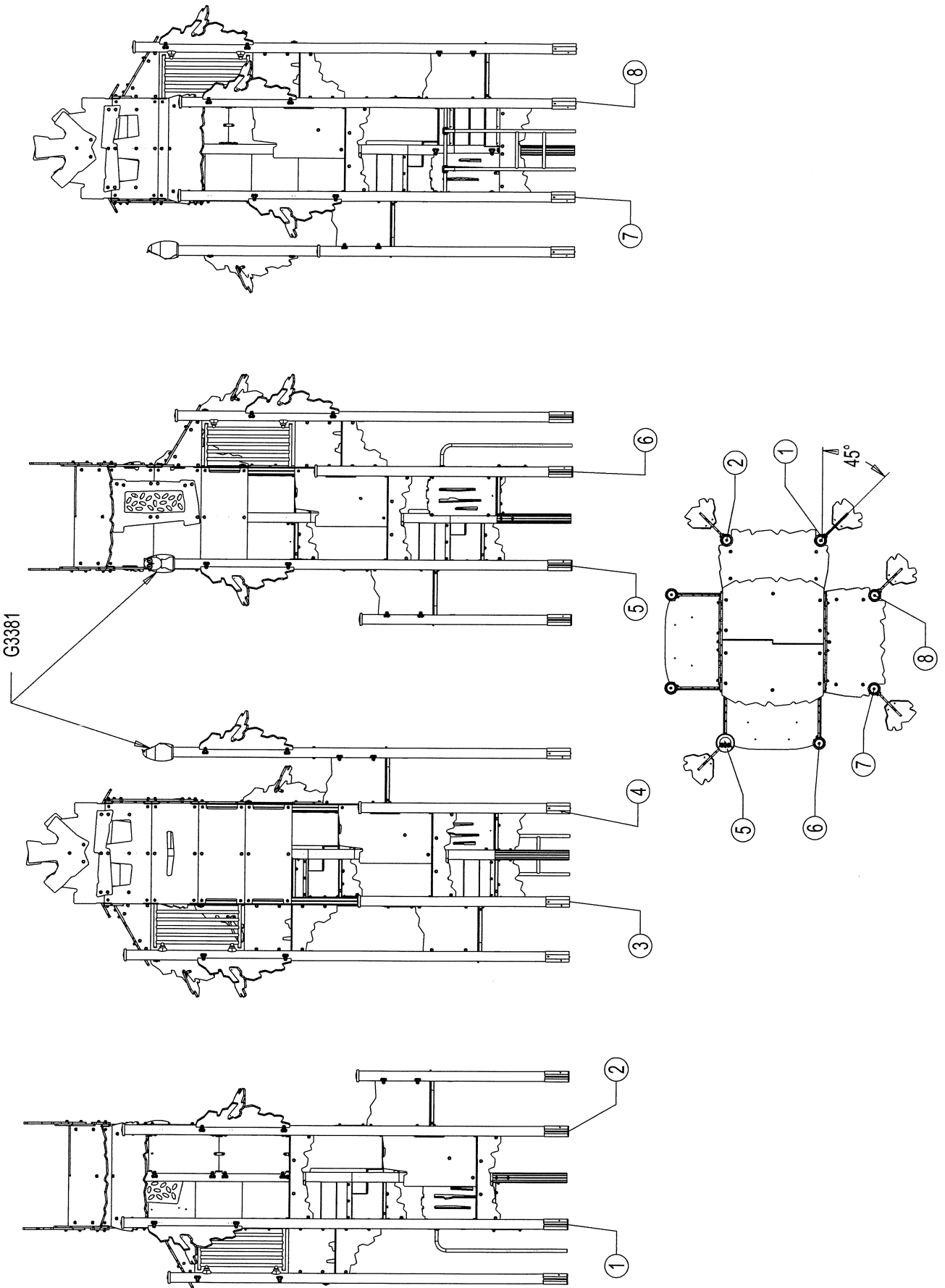


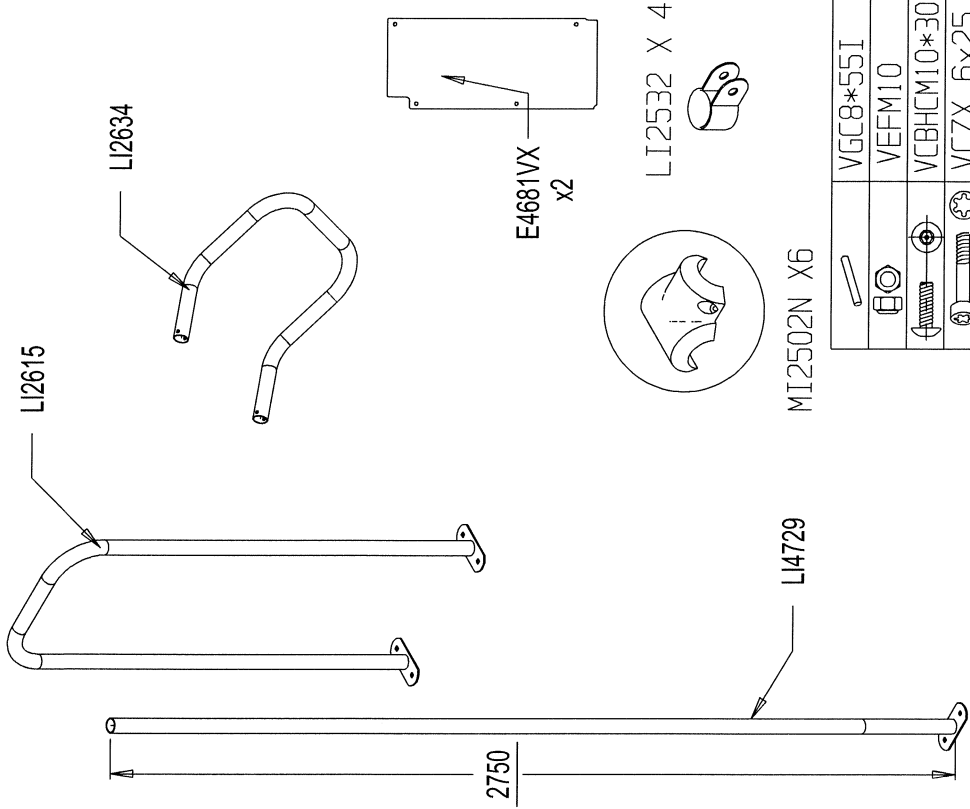
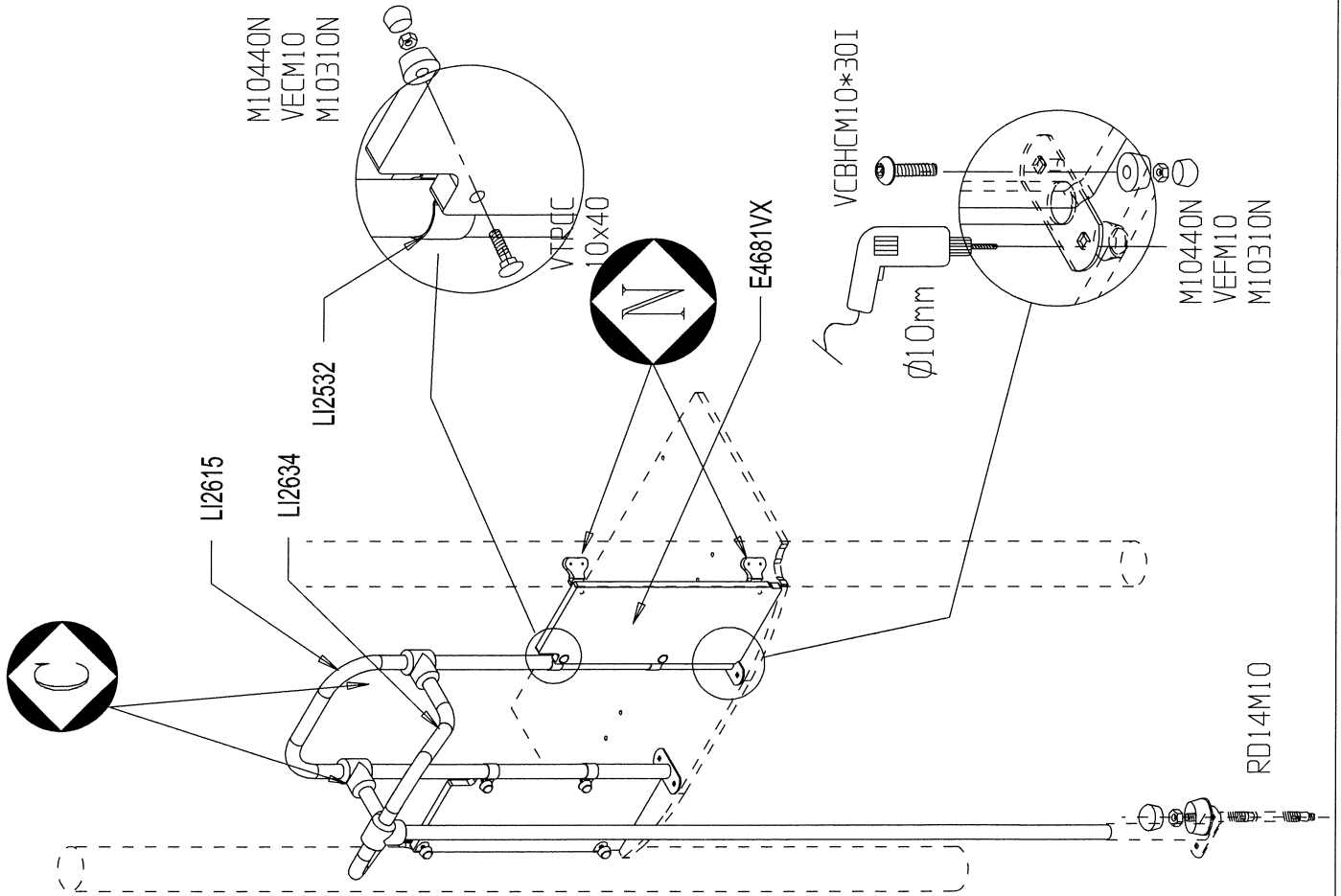
M3381 XI



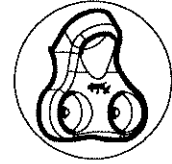
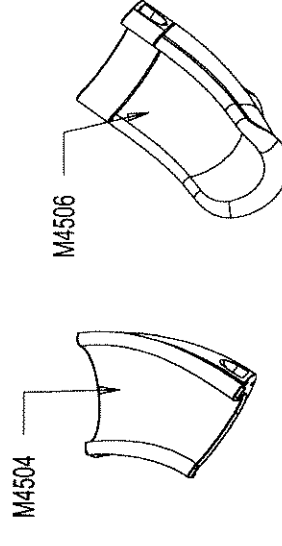
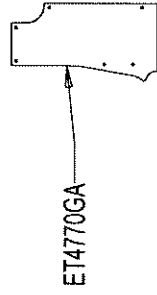
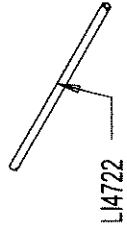
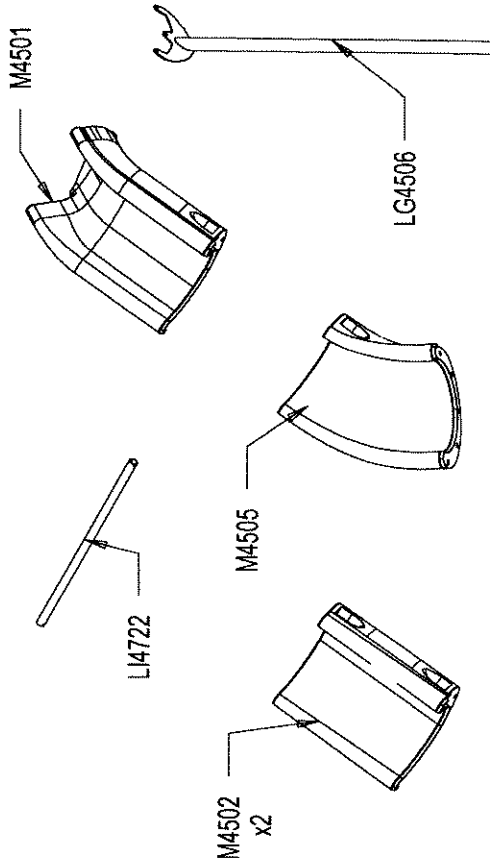
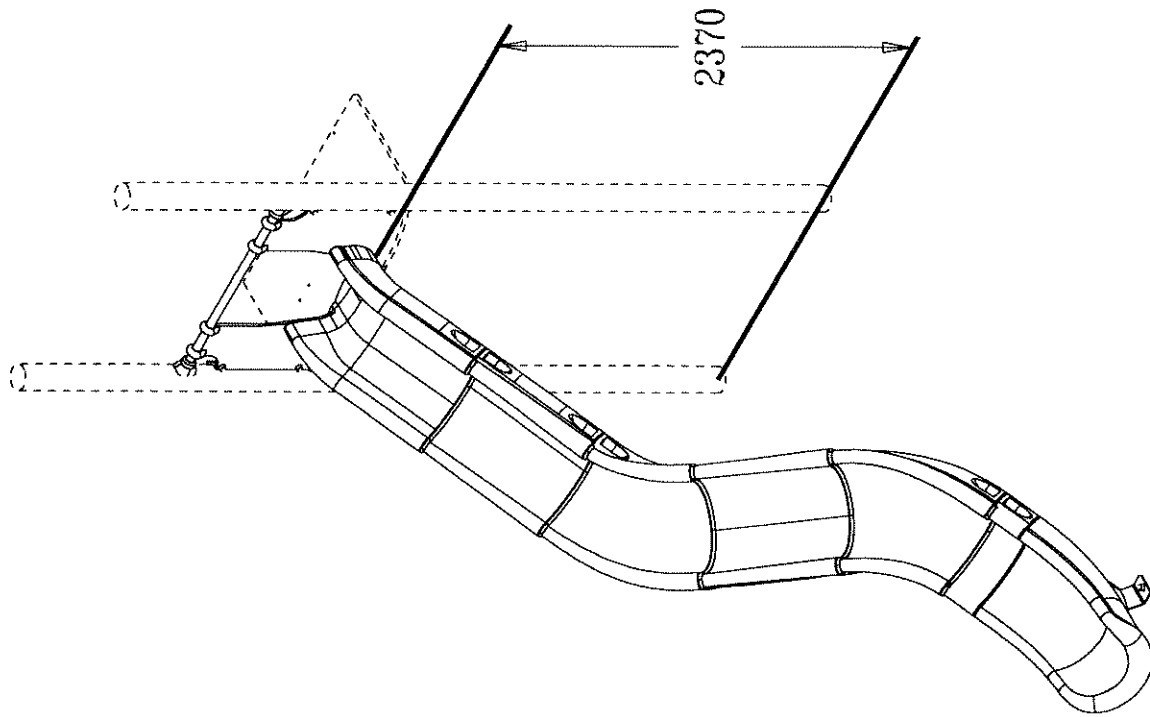
M3382 XI

	VTF 10x60	1
	M10310N	1

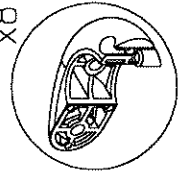




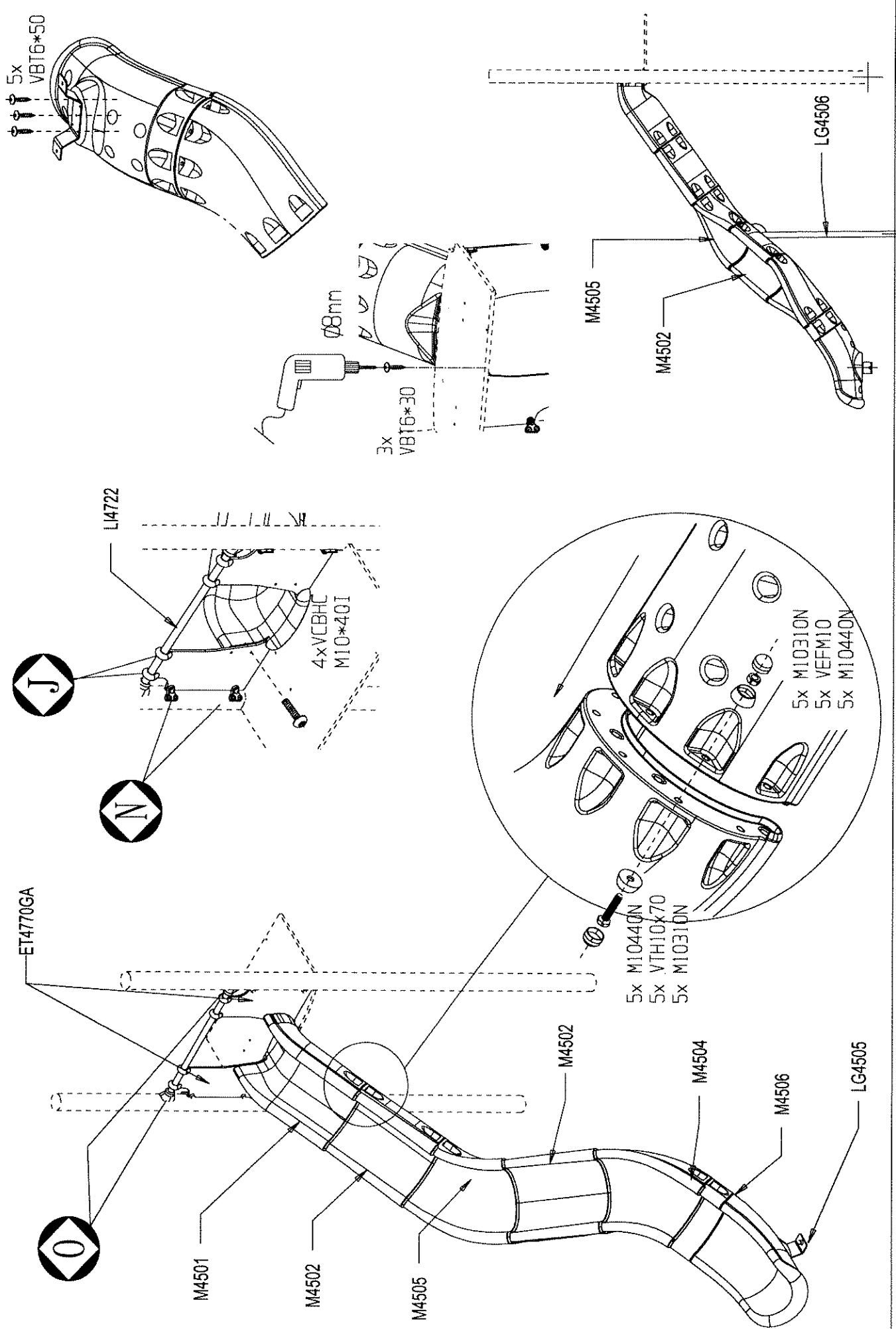
	VGC8*55I	2
	VEFM10	4
	VCBHCM10*30I	4
	VCZX 6x25	12
	VEBM6	12
	VBT 7x60	8
	M10310N	14
	M10440N	22
	VECM10	8
	VTRCC10x40	8
	RD14M10	2



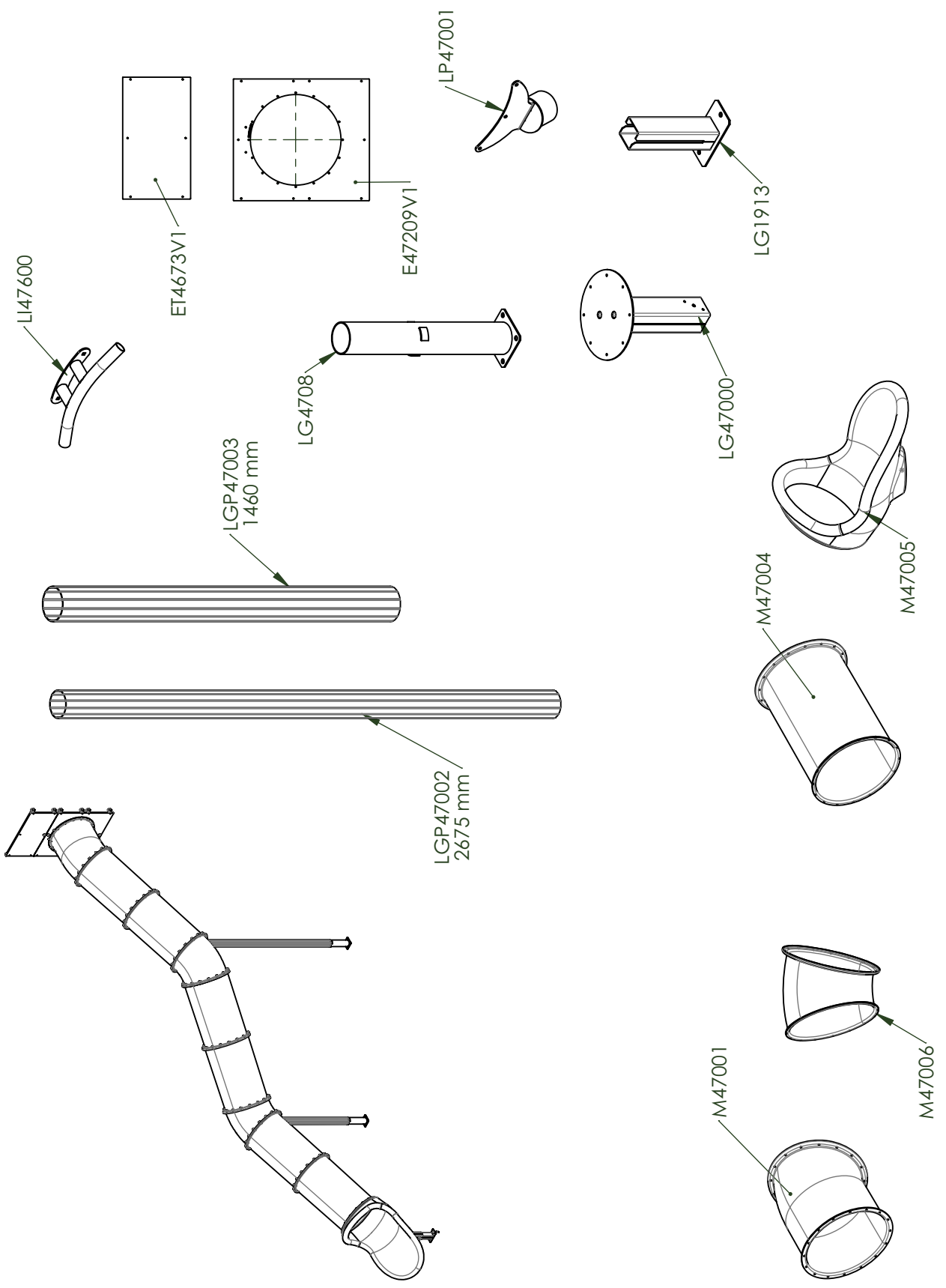
MI4502N x8

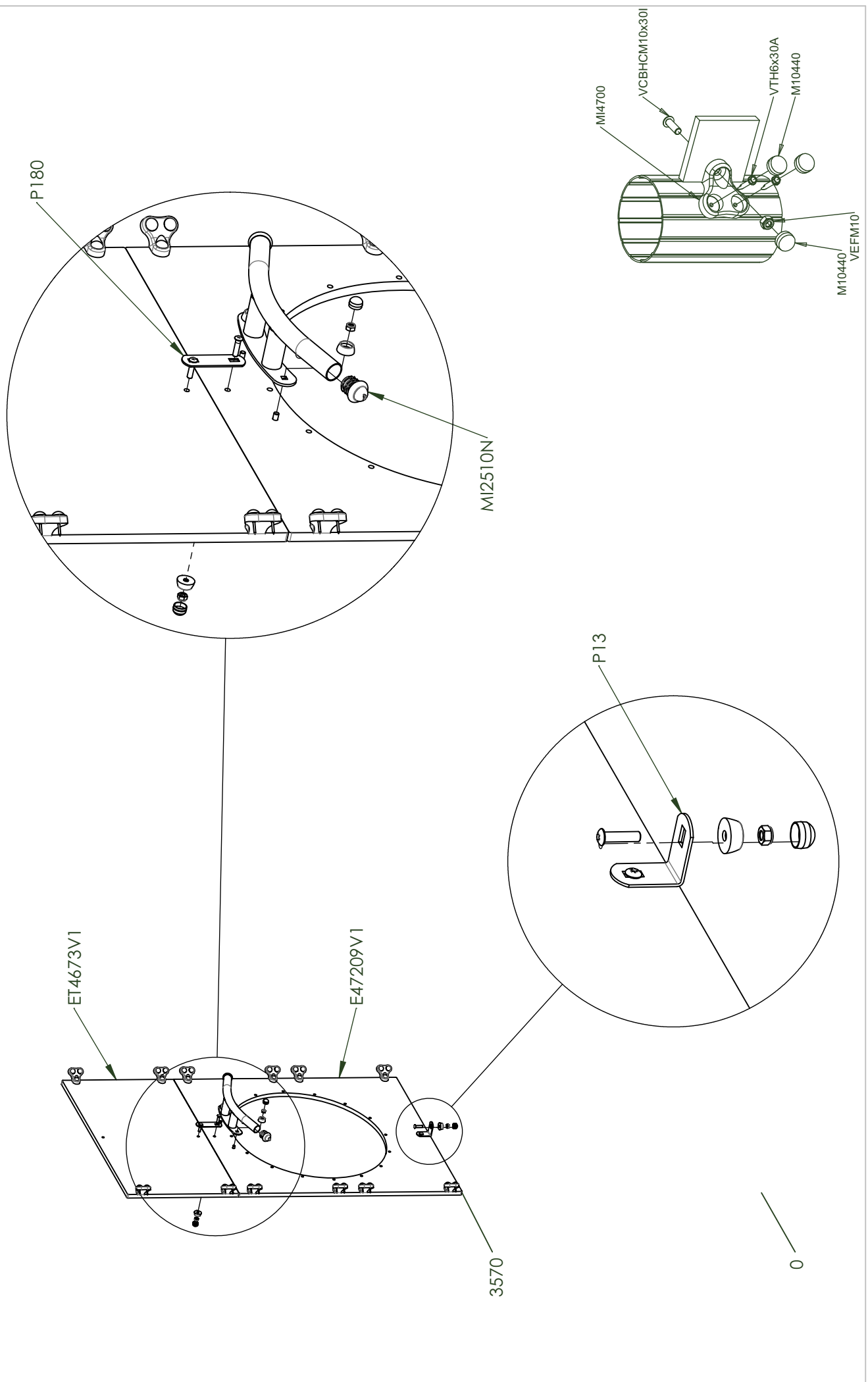


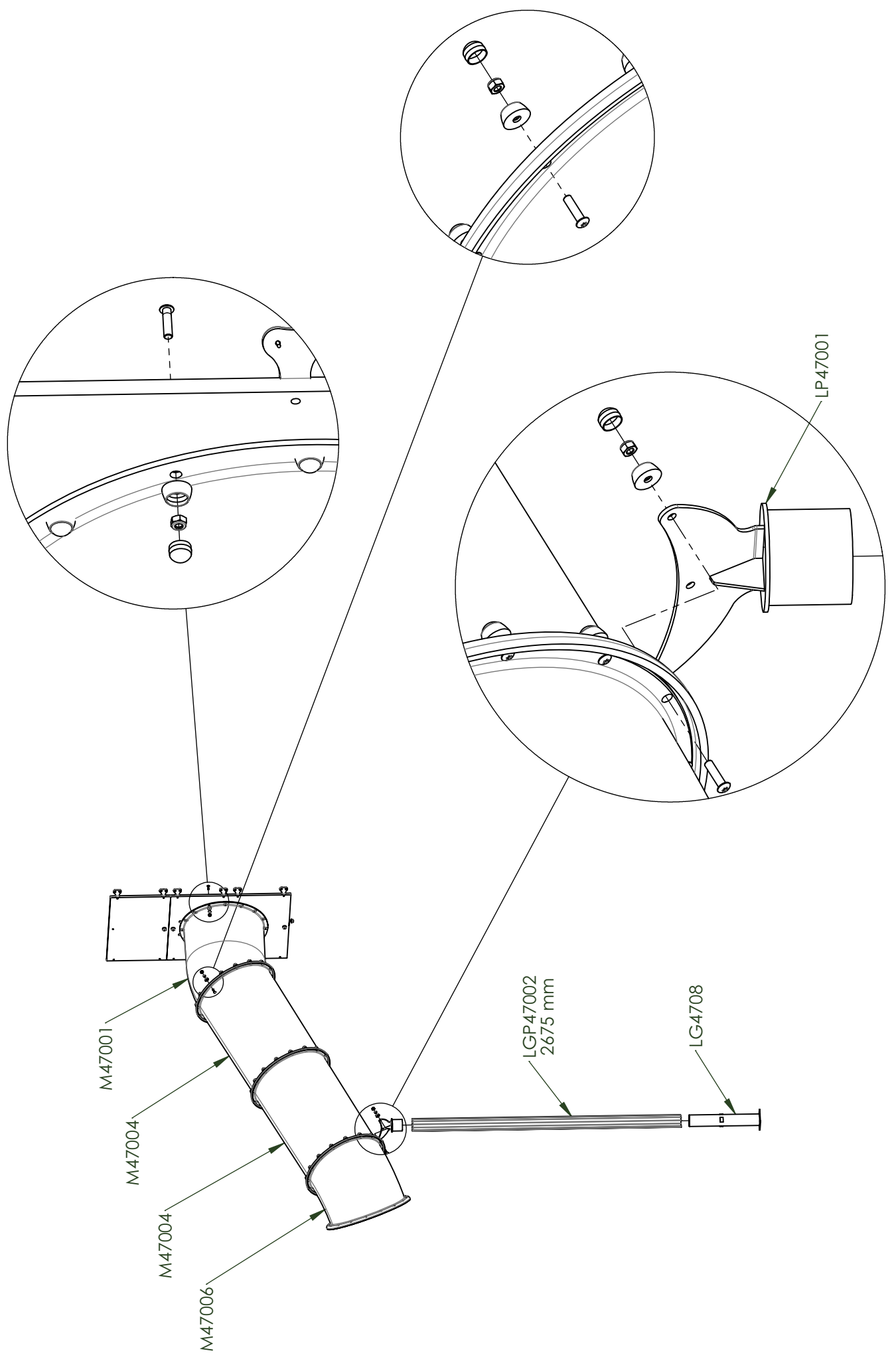
	VTH10*70	25
	VBT 6*30	3
	VBT 6*50	5
	VGC8*55I	2
	VBT7*60	16
	MI3701N	2
	VCBHCMI0*40I	4
	MI0310N	56
	MI0440N	68
	VECM10	4
	VEFM10	25
	VECM8	4
	VBTR8*25	4
	MI4503N	8

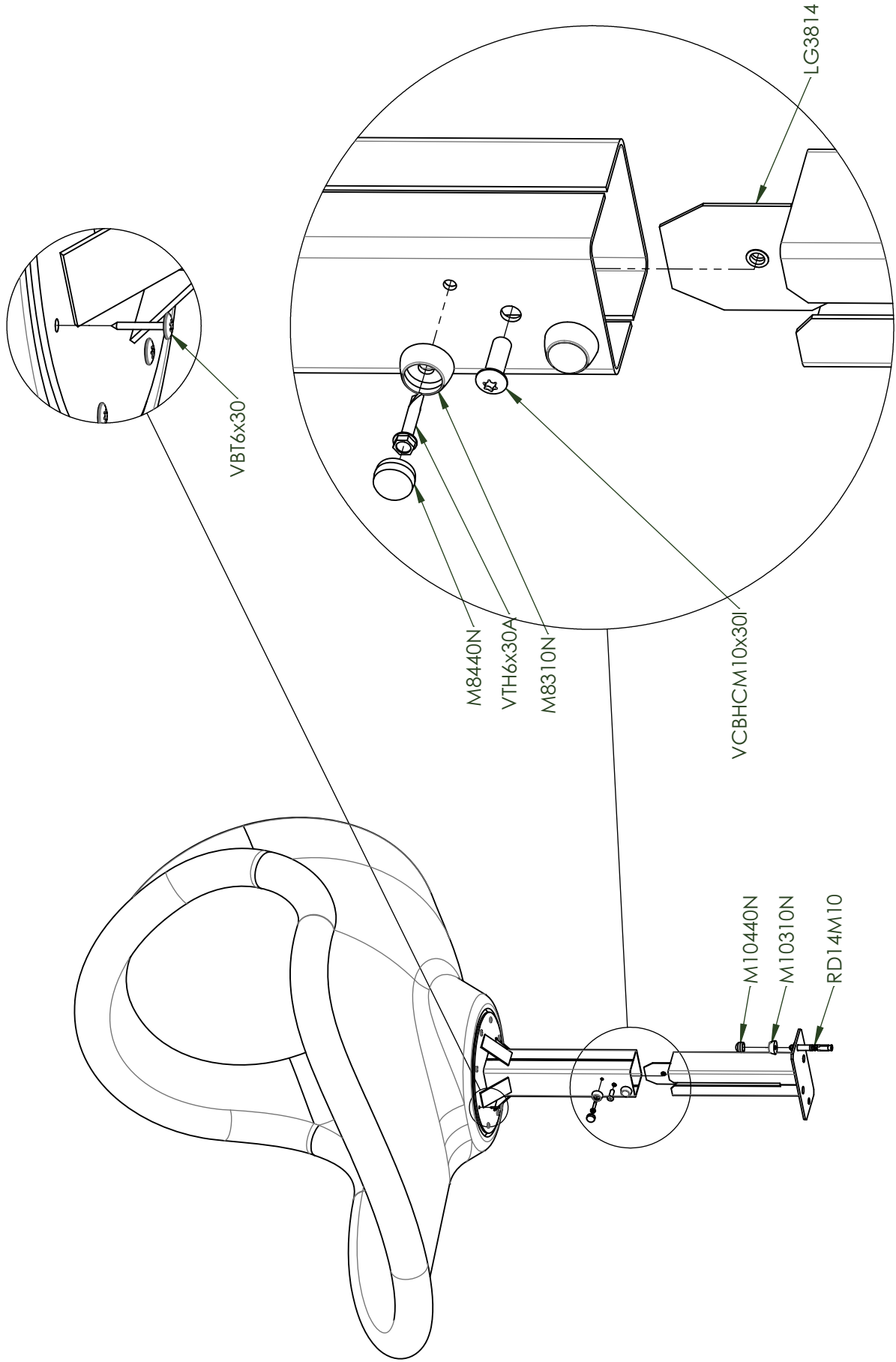


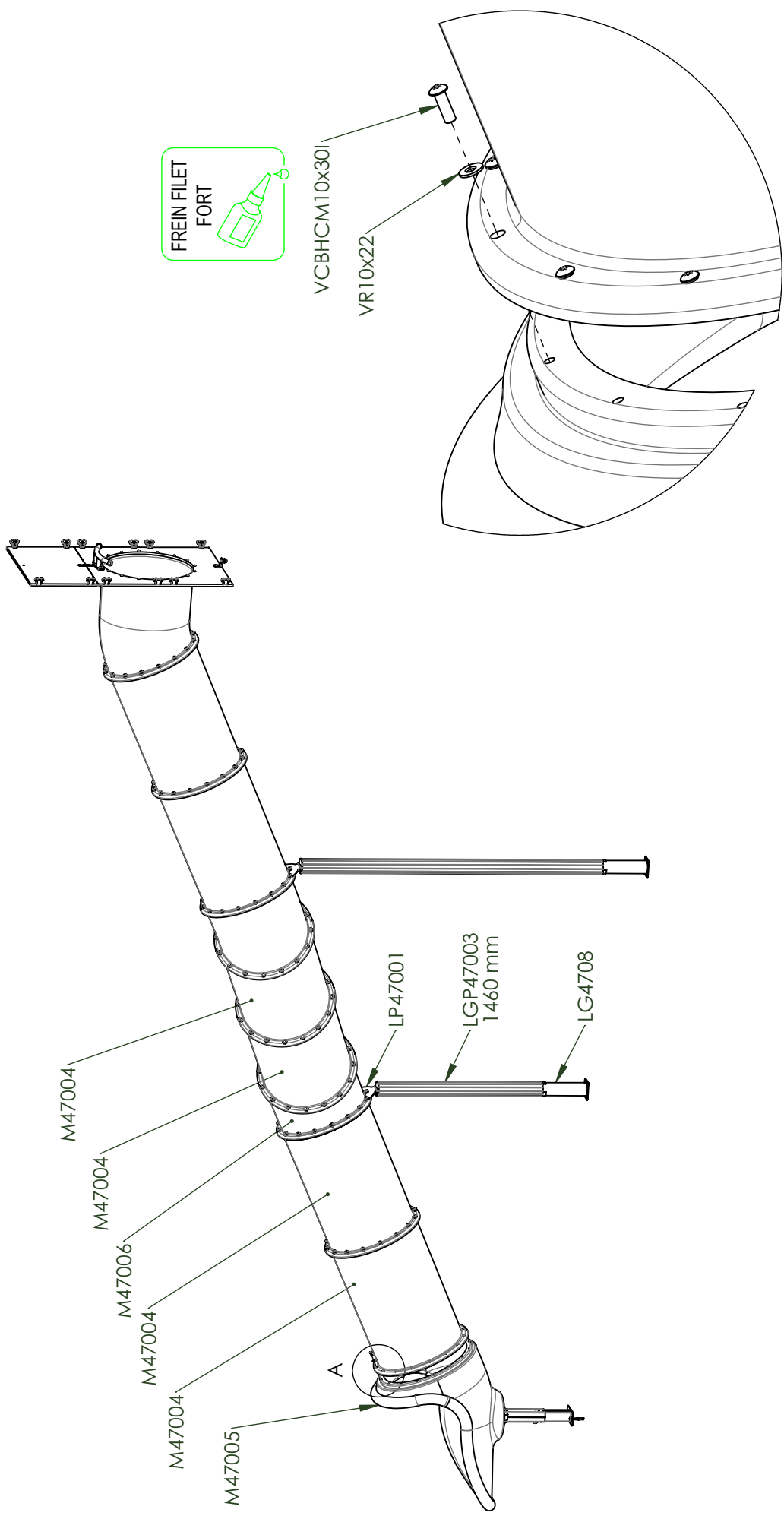
Réf	Qté
ET4673V1	1
E47209V1	1
LG1913	1
LG4708	2
LG47000	1
LGP47002	1
LGP47003	1
LI47600	1
LP47001	2
M47001	1
M47004	6
M47005	1
M47006	2
LG3814	1

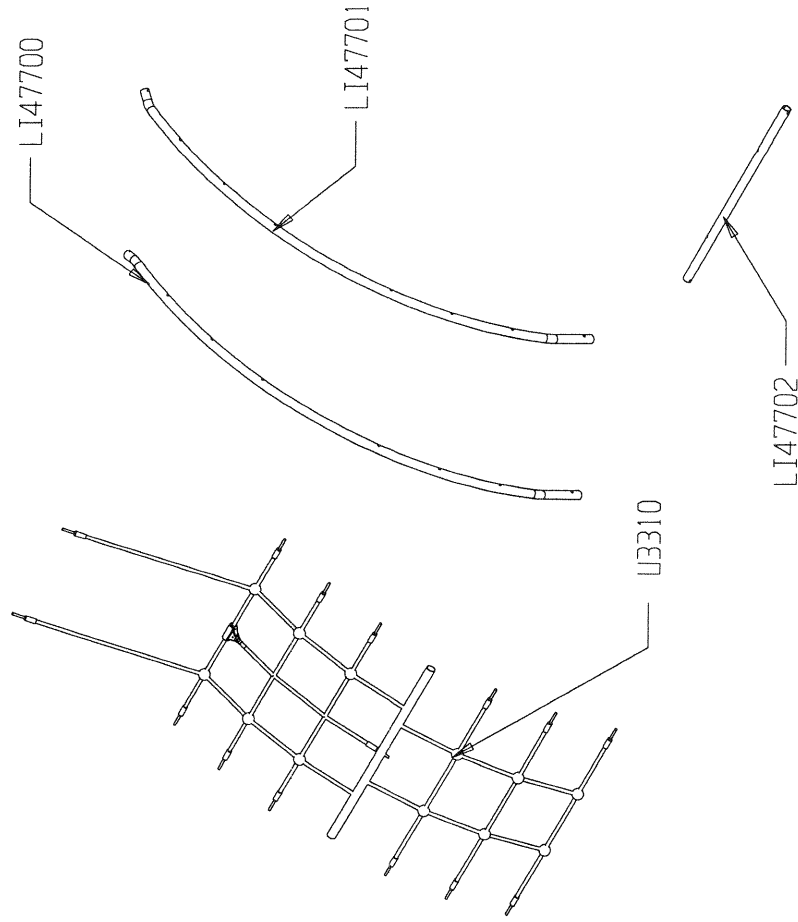
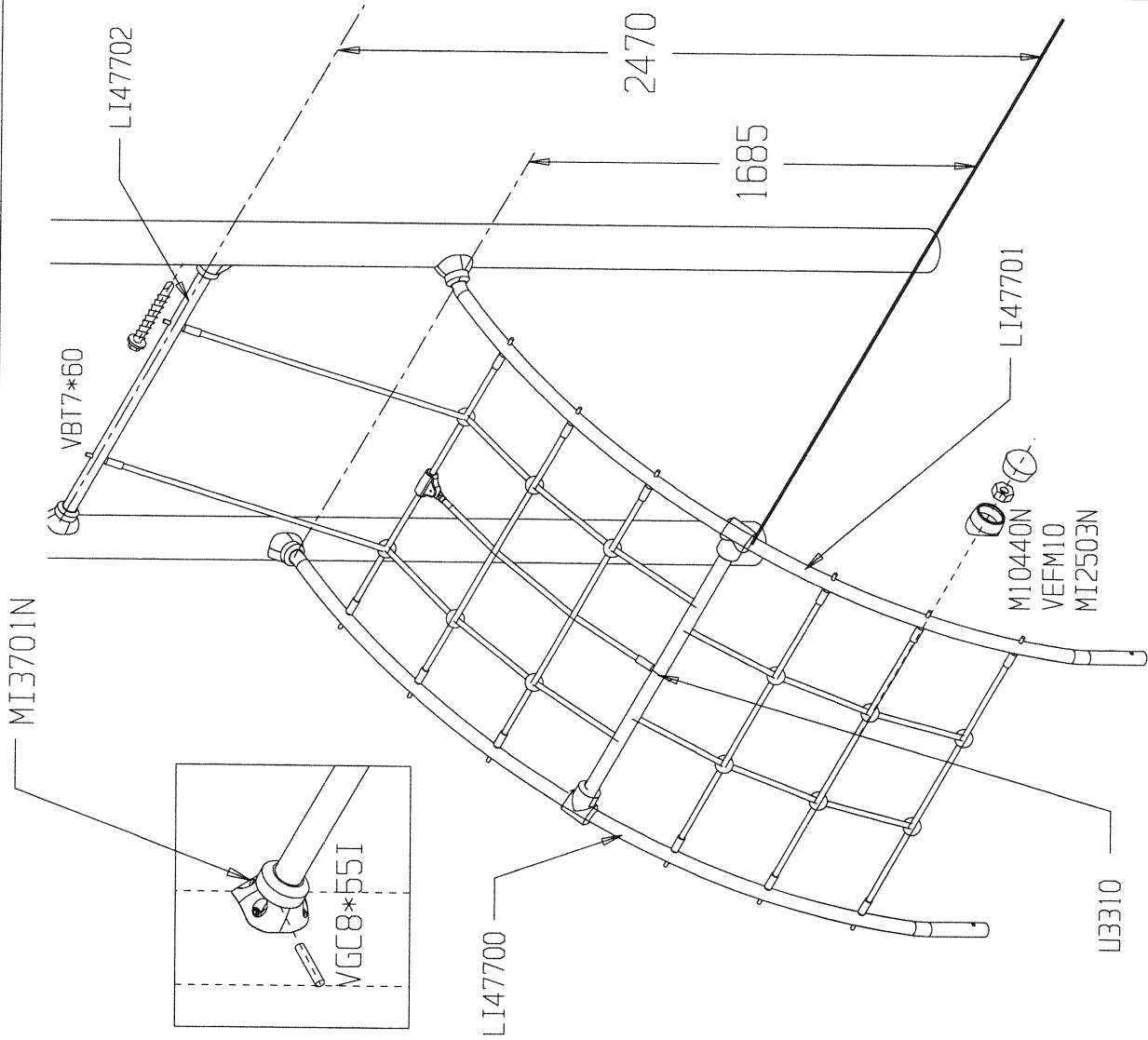




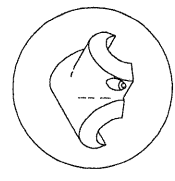




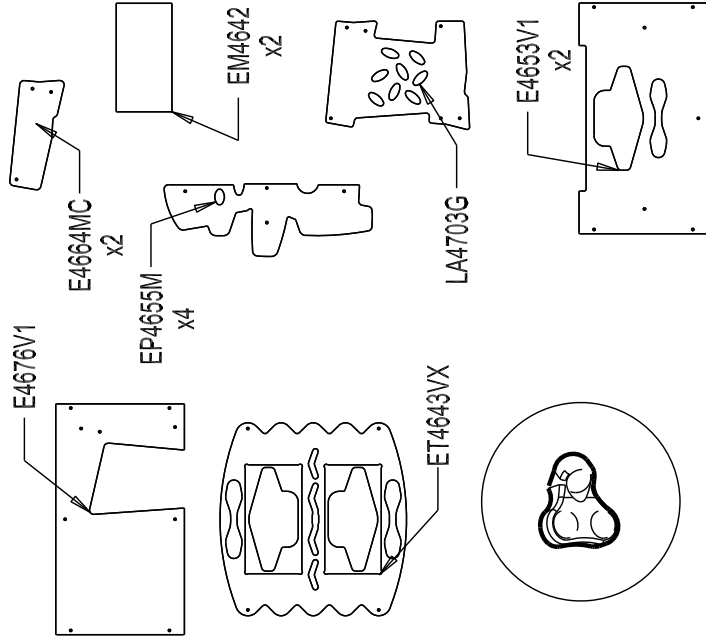
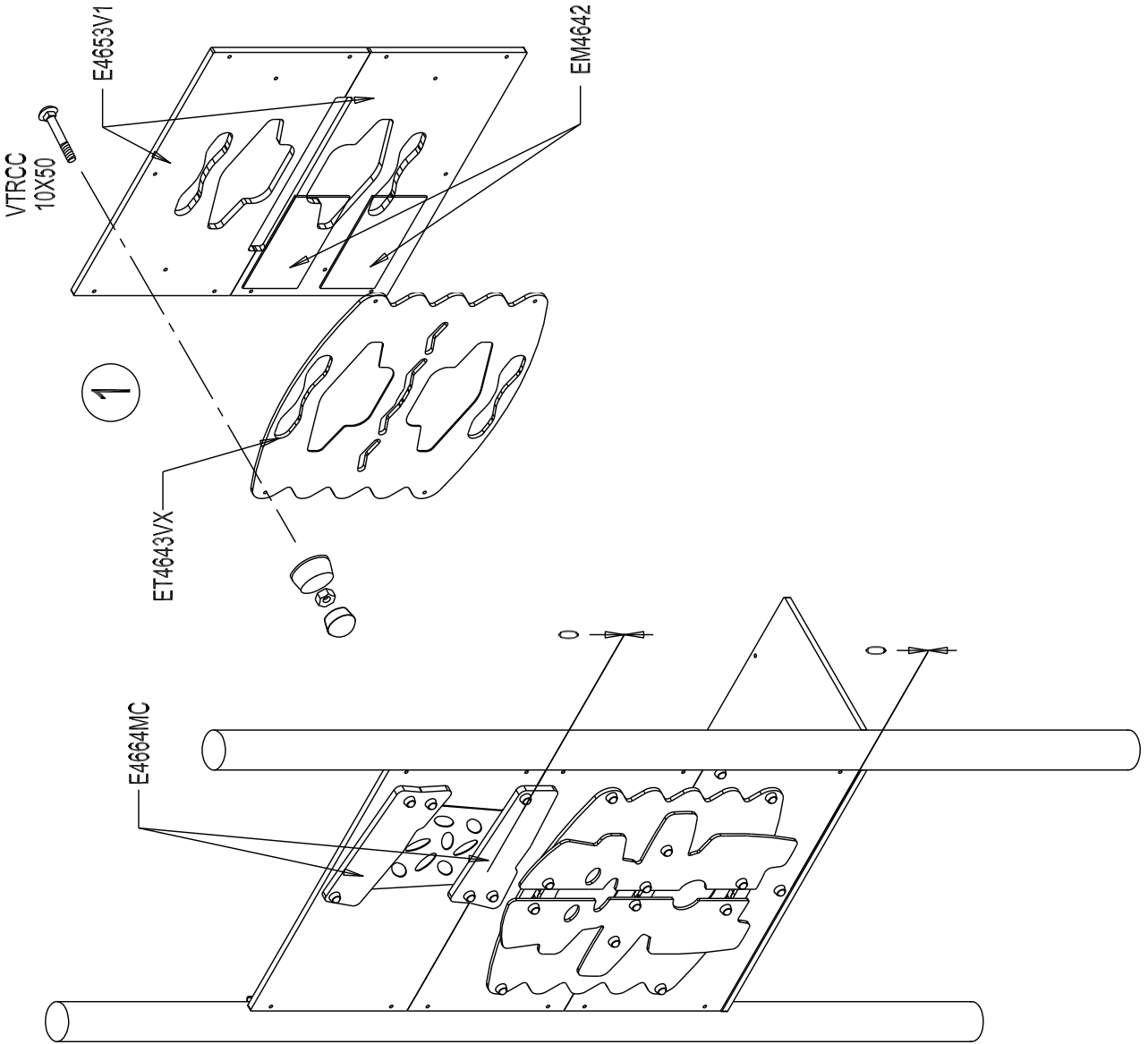




	VEFM10	14
	MI2503N	14
	M10440N	14
	VCZX 6x25	8
	VEBM6	8
	VGC8*55I	4
	VBT7*60	16
	MI3701N	4



MI2502N X 4



	MLI2603	8
	VEFM10	8
	VTRCC10x60	6
	VTH 10x80	8
	70 mm	1
	180° : P180	1
	90° : P13	1
	VTRCC10x40	14
	VBT 7x60	24
	M10310N	28
	M10440N	52
	VECM10	24
	VTRCC10x50	4

