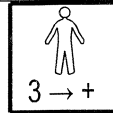


J47201A



Proludic

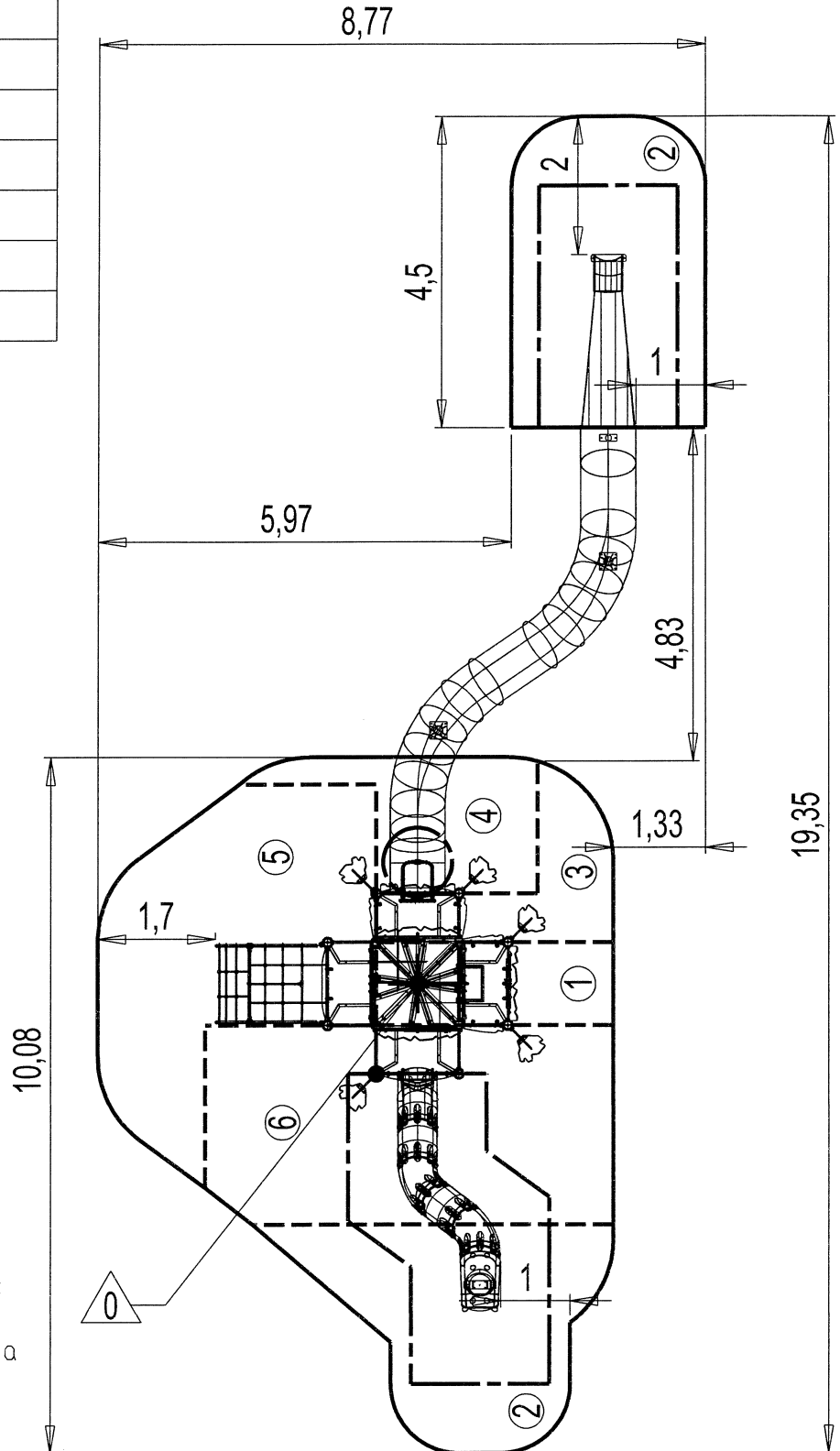
N°		
①	0.97 m	4.5 m ²
②	1 m	23 m ²
③	1.17 m	4 m ²
④	1.5 m	5.5 m ²
⑤	1.77 m	15 m ²
⑥	2.37 m	17 m ²

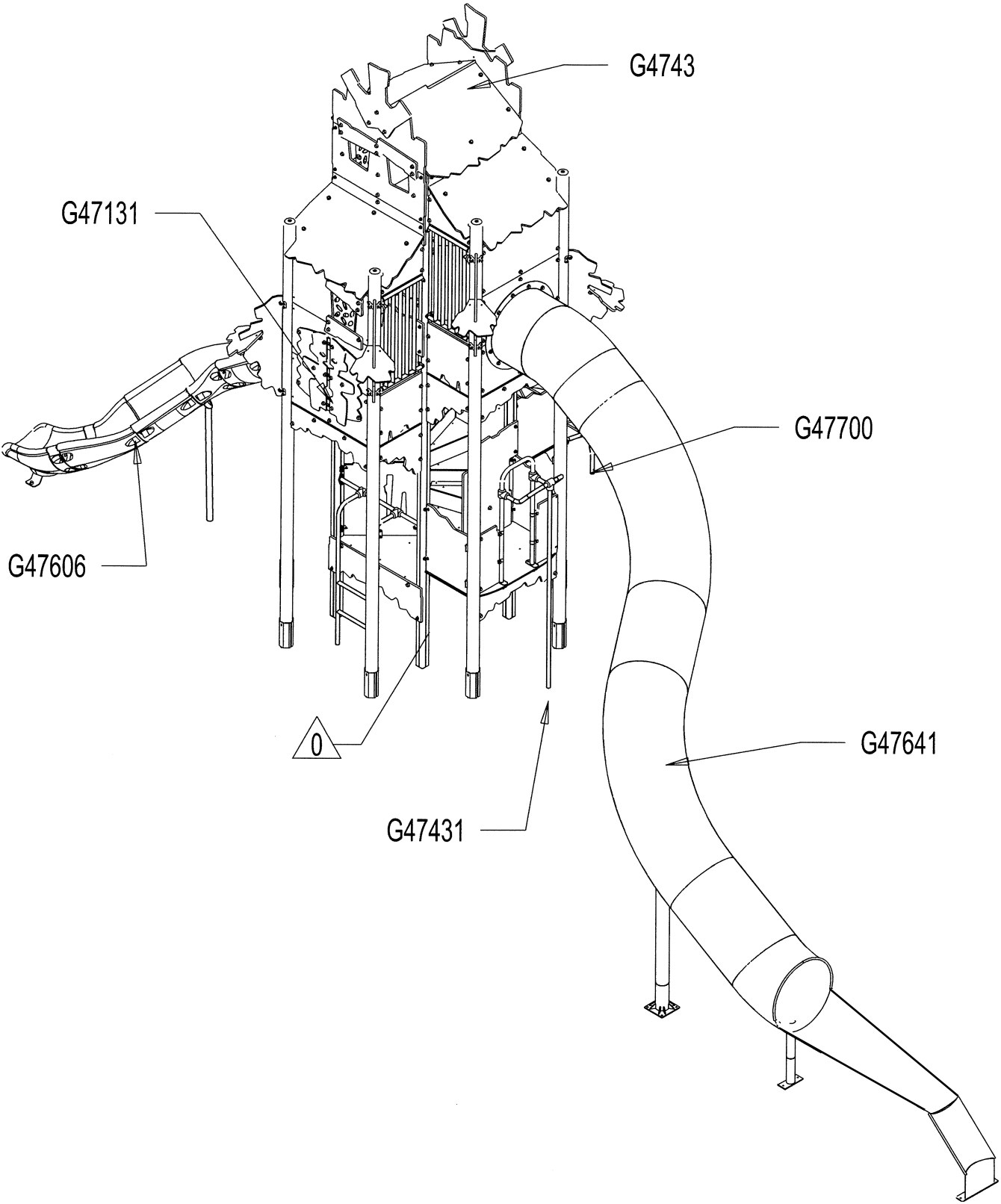
EN 1176-1 : 2017
EN 1176-3 : 2017

— Zone d'Impact
Impact Area
Area de Impacto
Fallraum

— Espace libre
Free Space
Espacio Libre
Freiraum

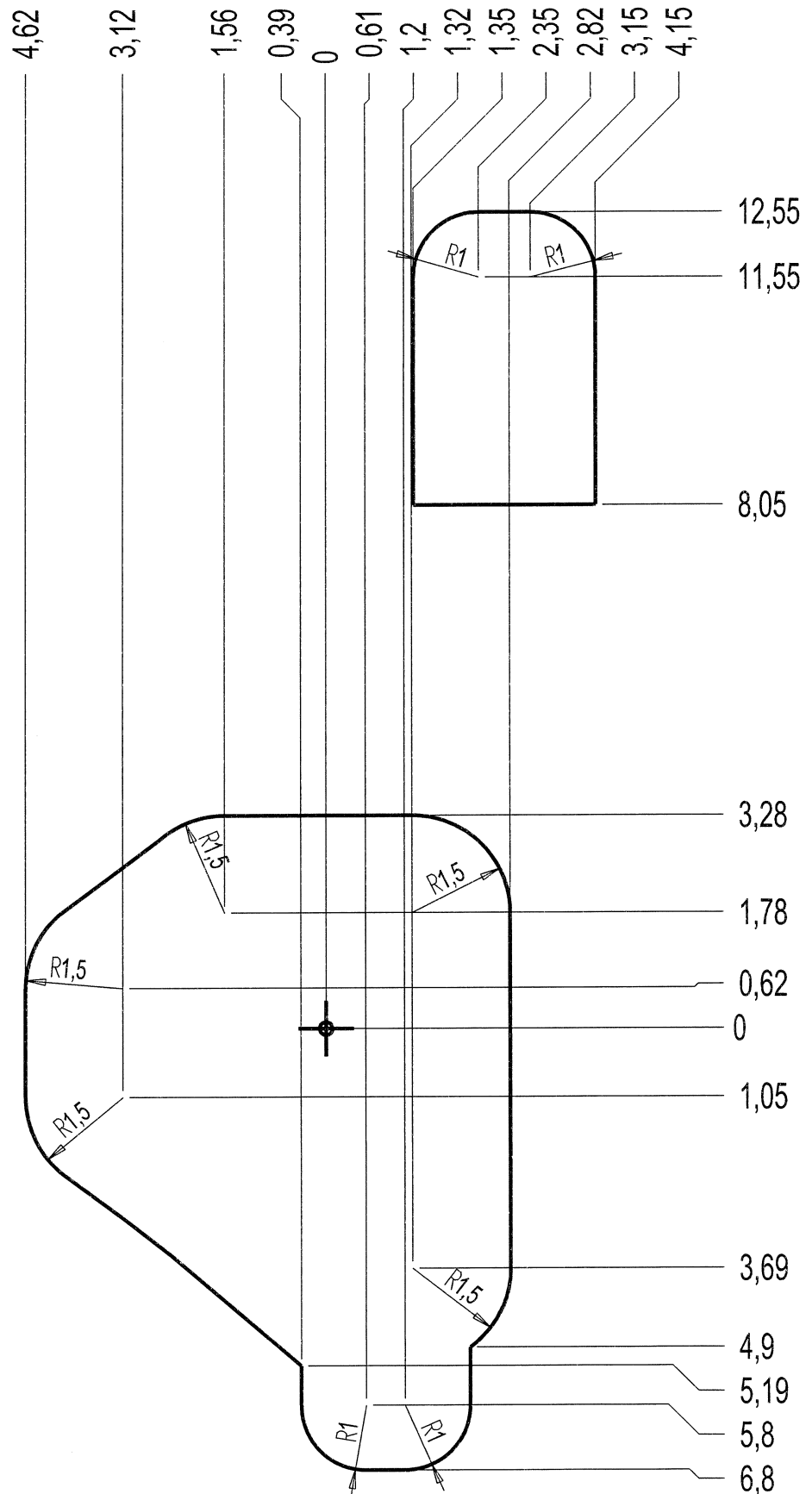
Point de Référence
Setting Out Point
Punto de referencia
Bezugspunkt

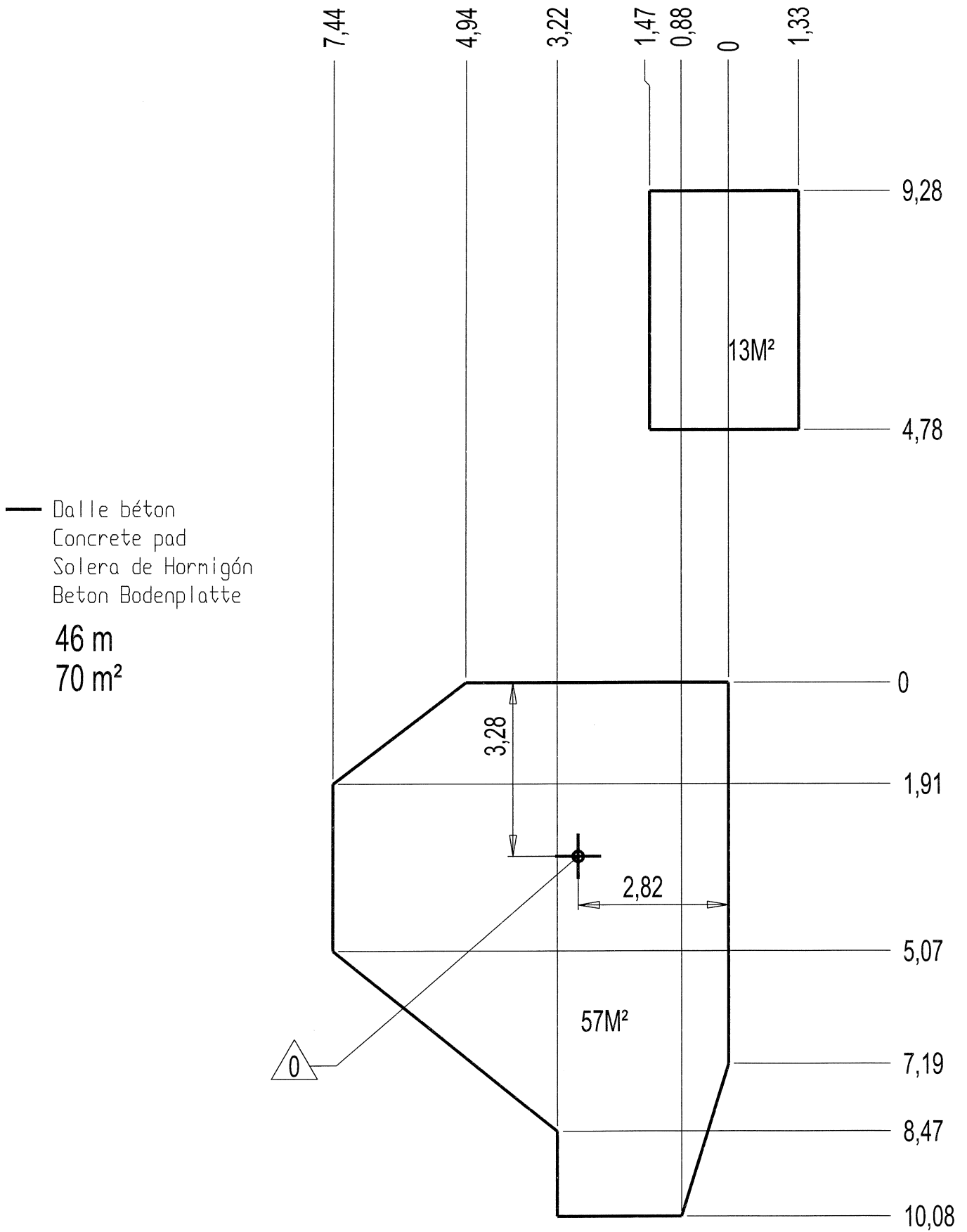


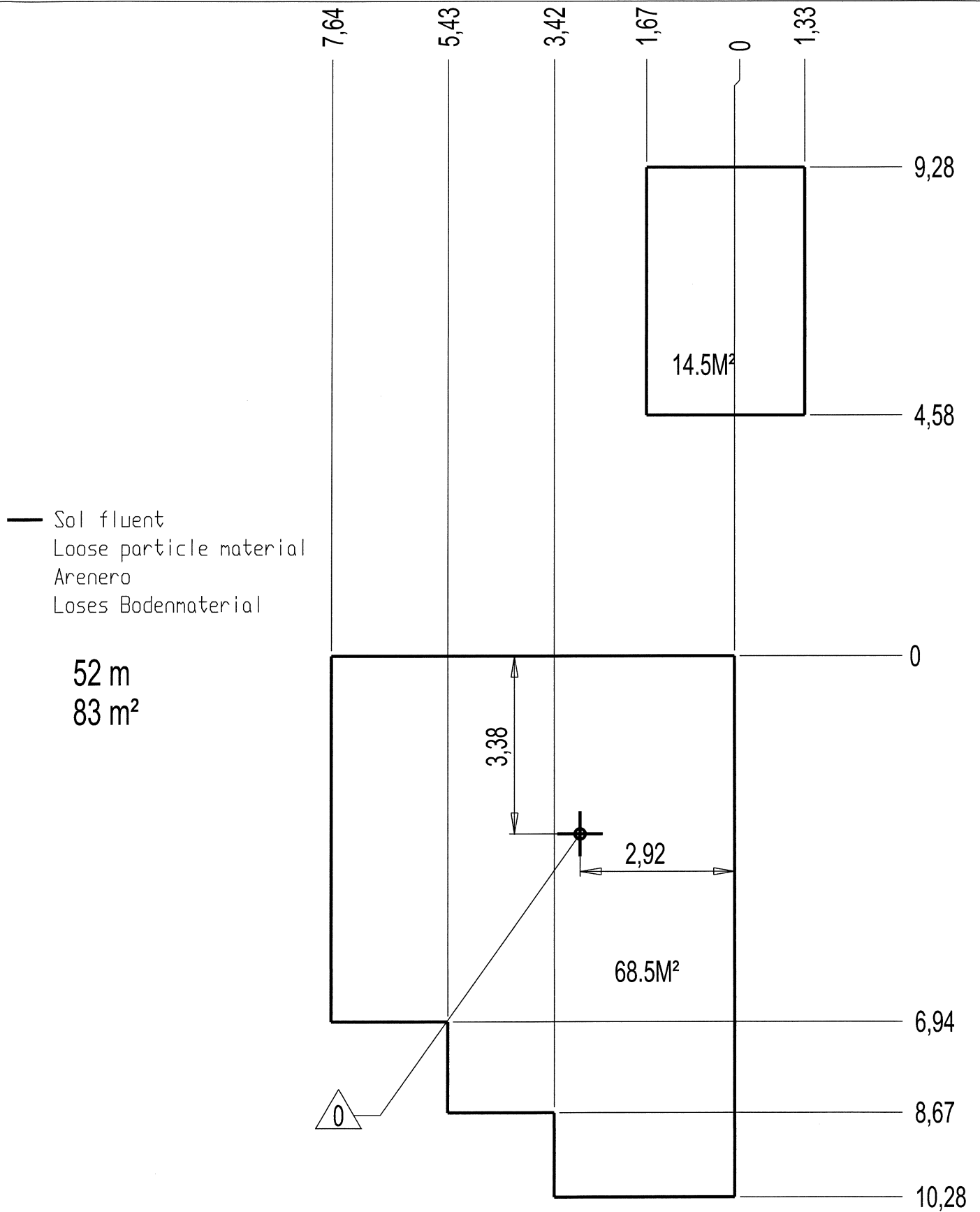


— Zone d'Impact
 Impact Area
 Area de Impacto
 Fallraum

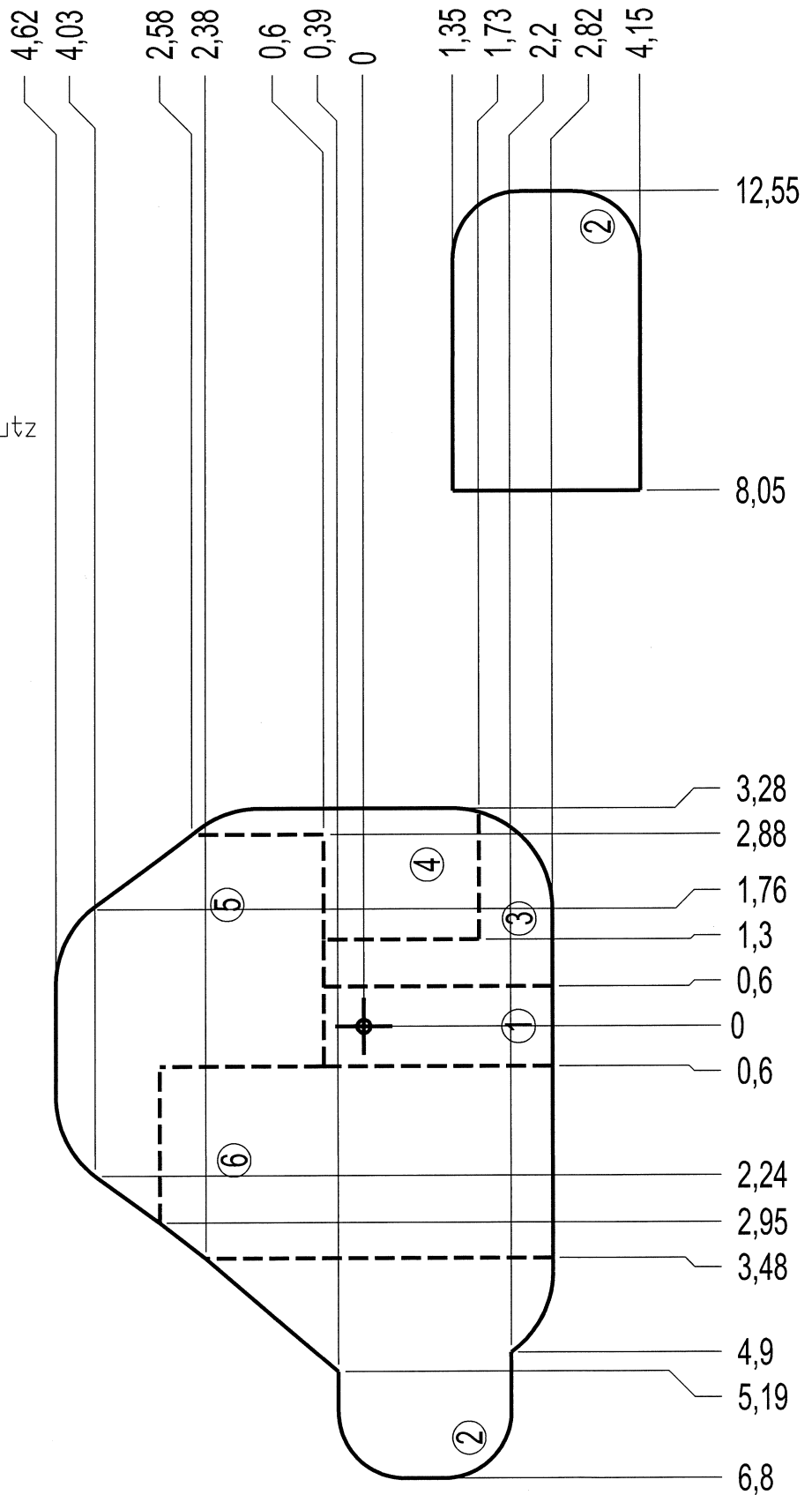
70.5 m²

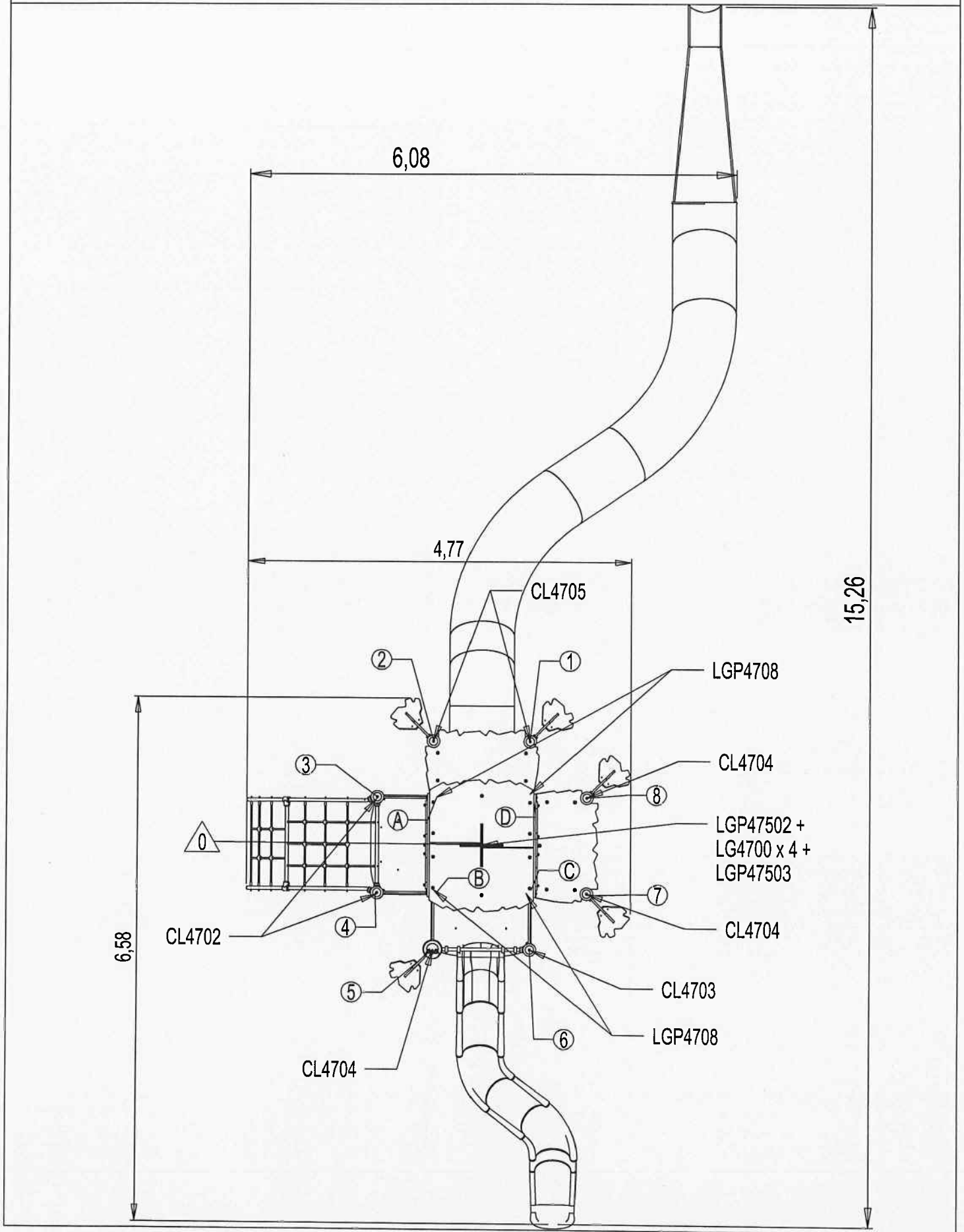






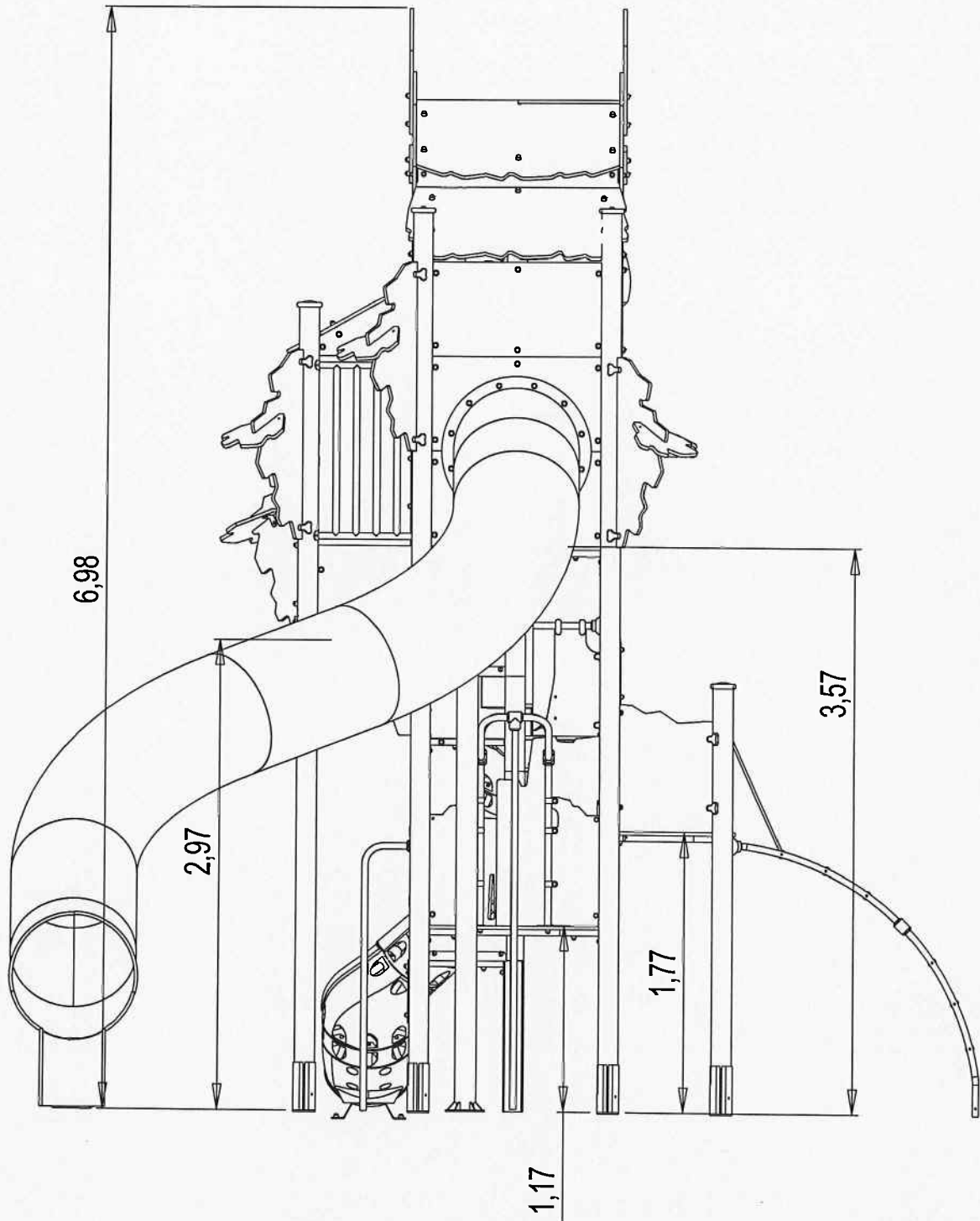
— Sol souple **68.5 m²**
 Wetpour
 Caucho Continuo
 Synthetischer Fallschutz





J47201

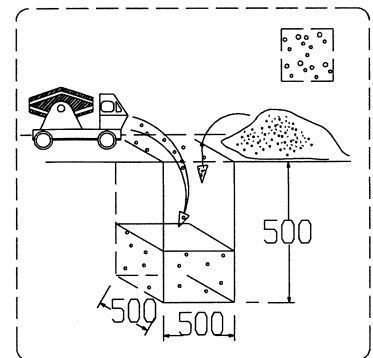
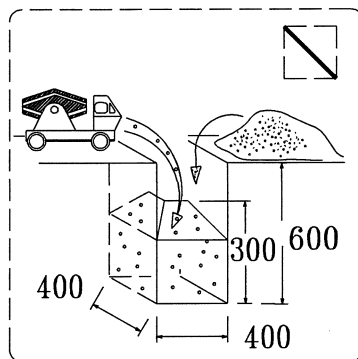
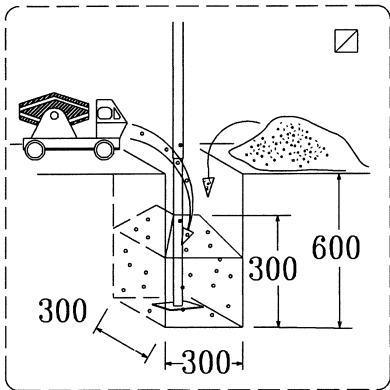
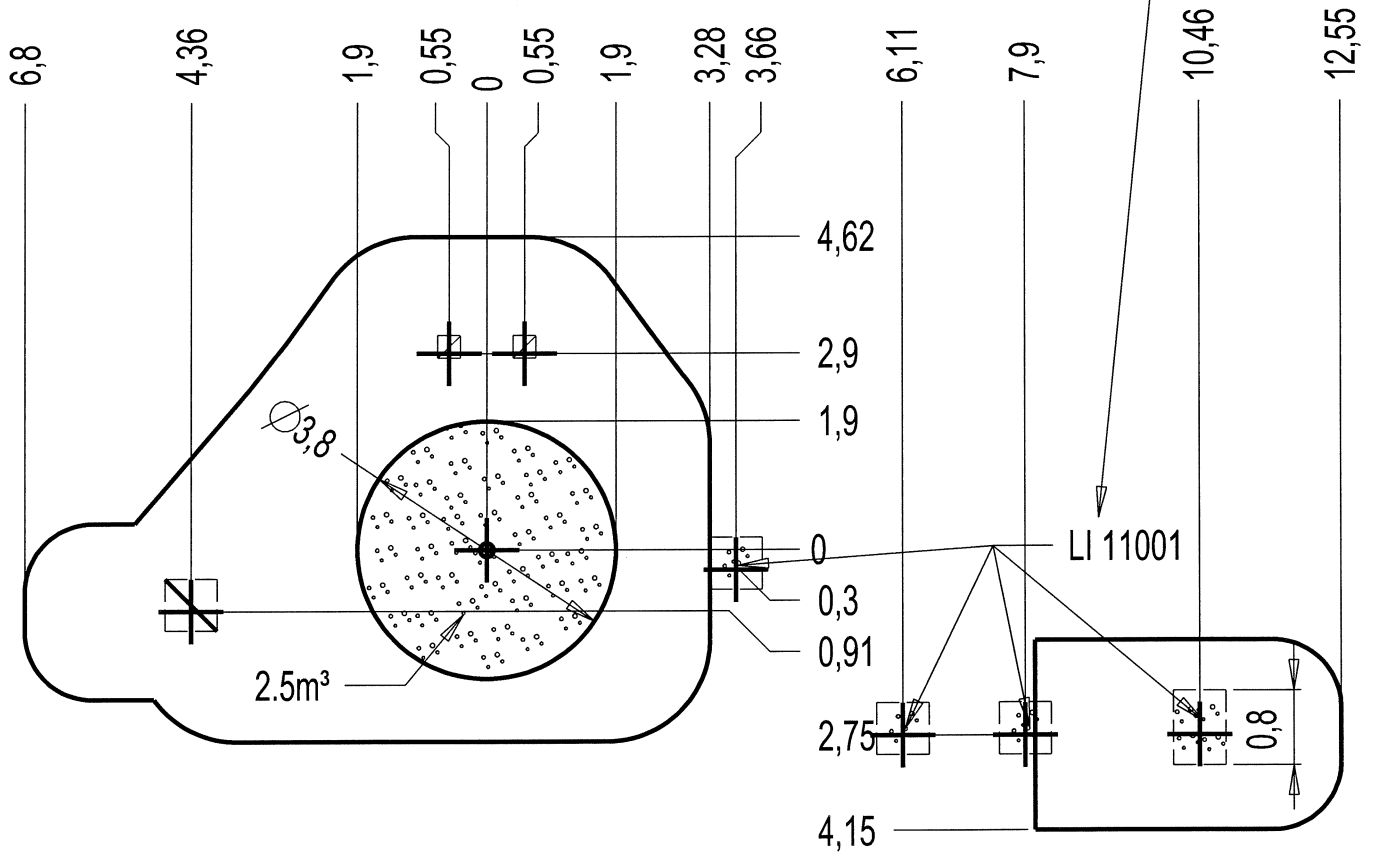
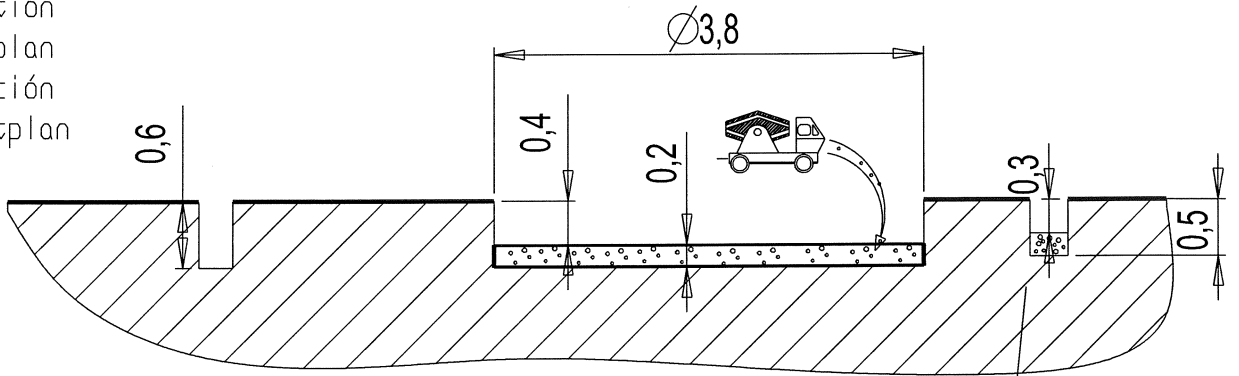
Proludic



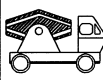


J47201

Proludic

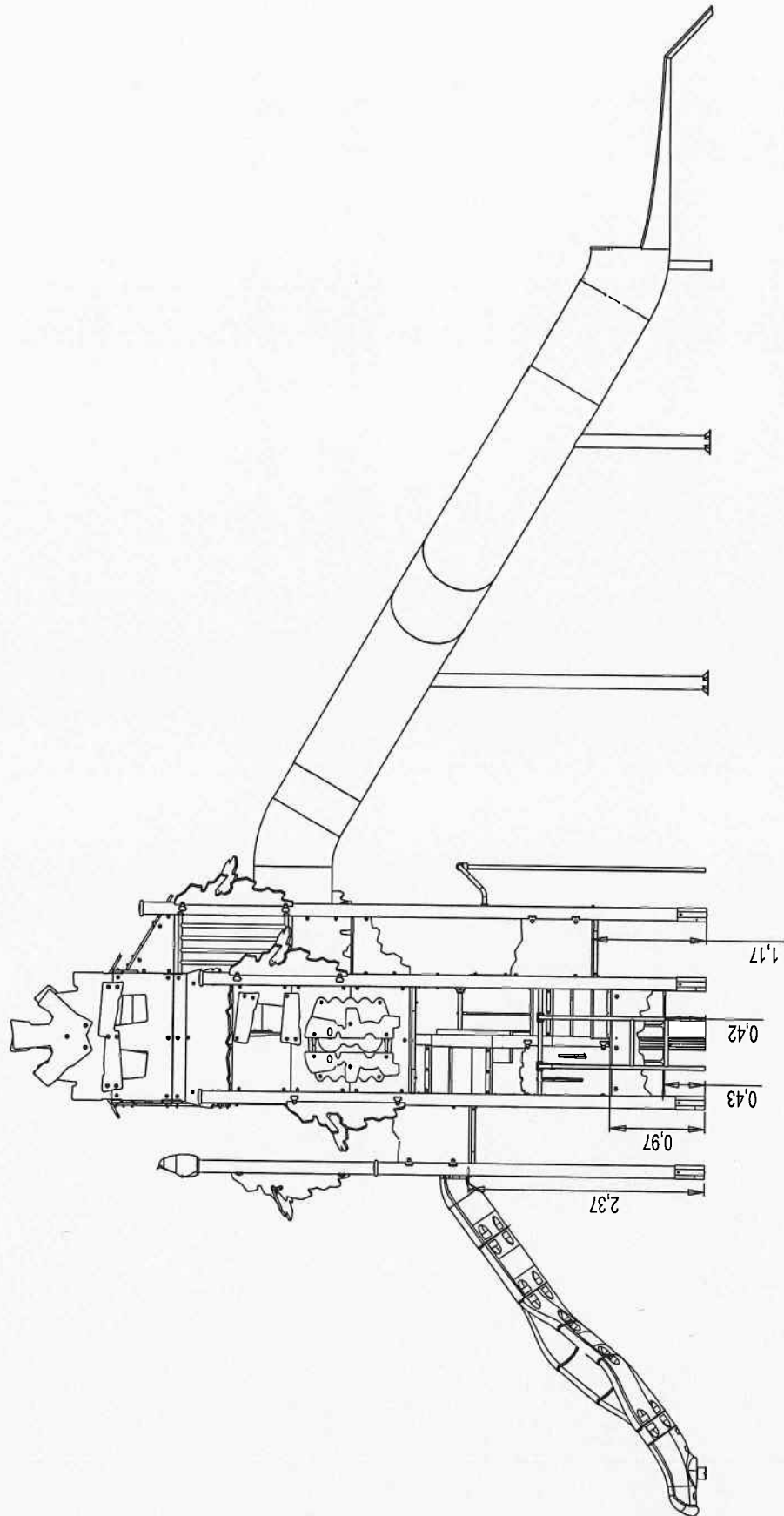
Implantation
 Footing plan
 Implantación
 Fundamentplan

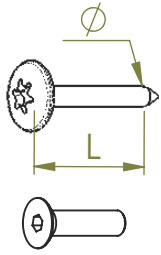


 x4	 150H	 2,9m ³
---	--	---

J47201

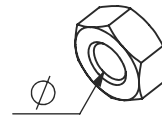
ProLudic



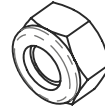


VBT 6 x 30
 \varnothing \uparrow L (mm)

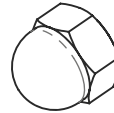
VFHC



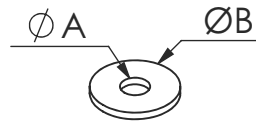
VEC M10
 \varnothing



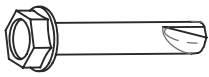
VEF



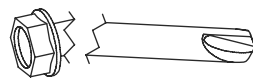
VEB



VR6x18
 $\varnothing A$ $\varnothing B$



VTHA

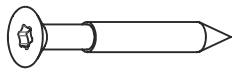


1000 - 1800 RPM

Vitesse de rotation
 Rotation speed

< 14 N.m

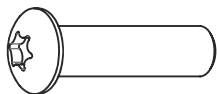
Couple de rupture
 Breakage torque



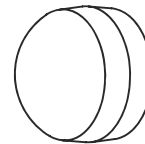
VWT



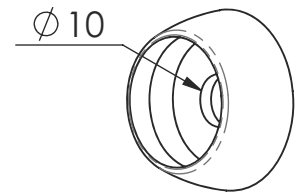
VGC



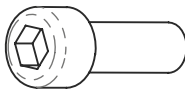
VCBHC



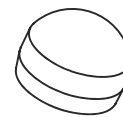
M10 440N



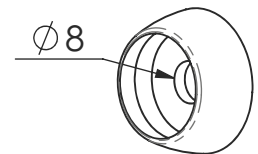
M10 310 N



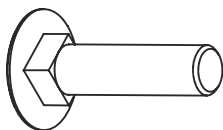
VBTR



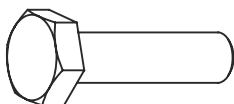
M8440N



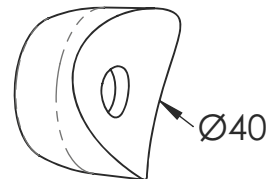
M8310N



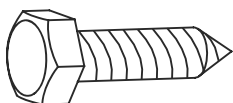
VTRCC



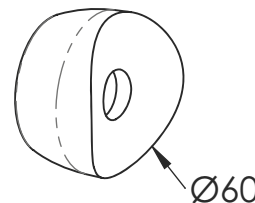
VTH



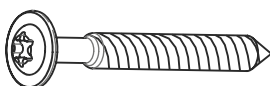
MI2503



VTF

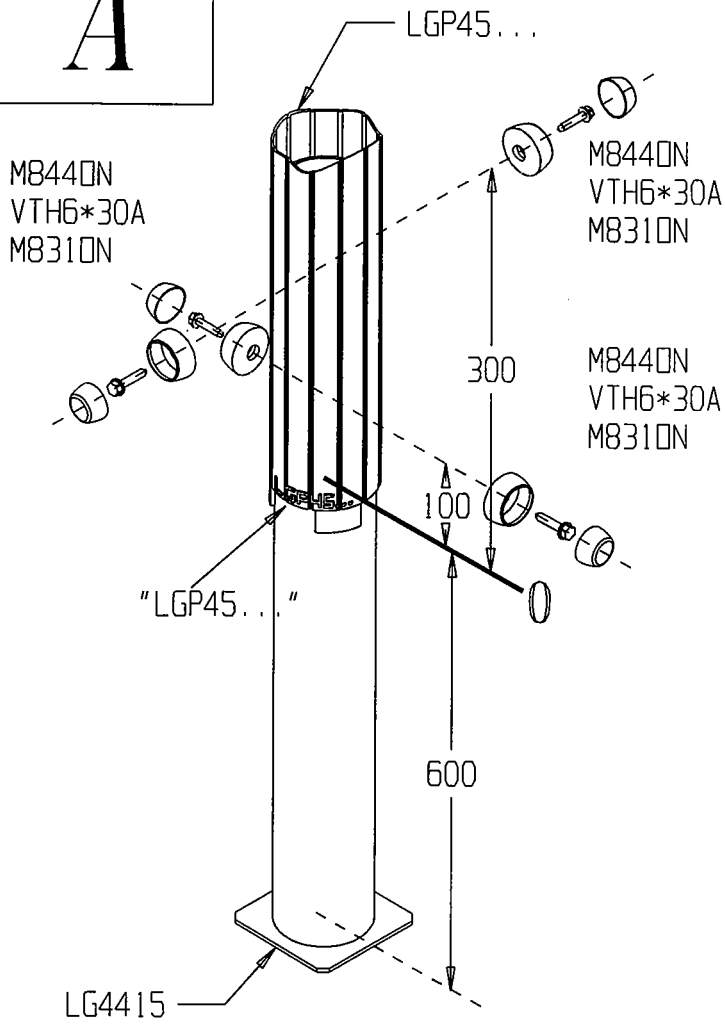


MI2701

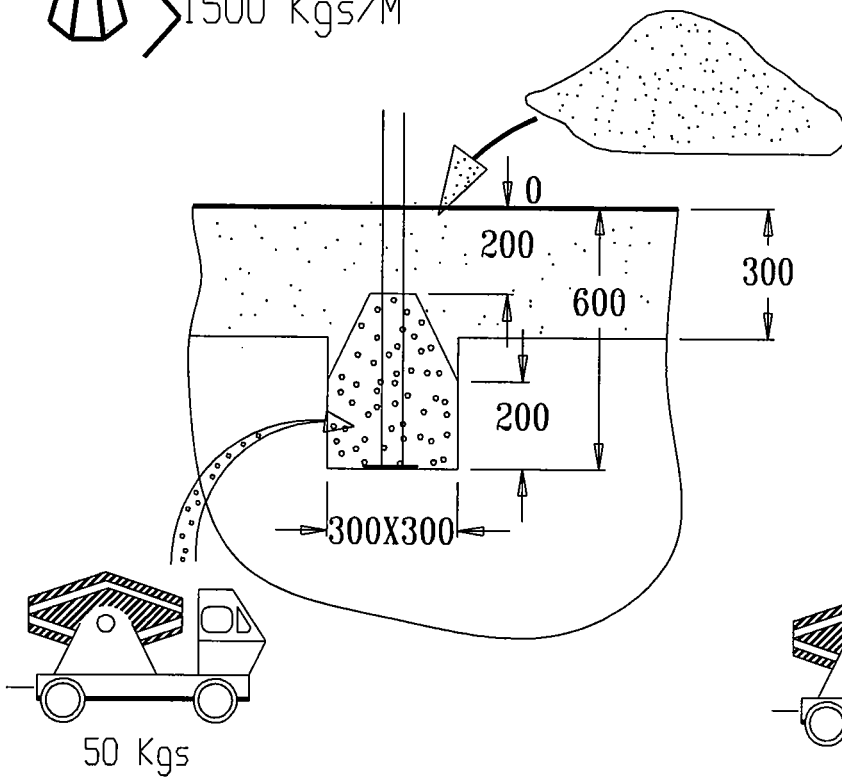


VBT

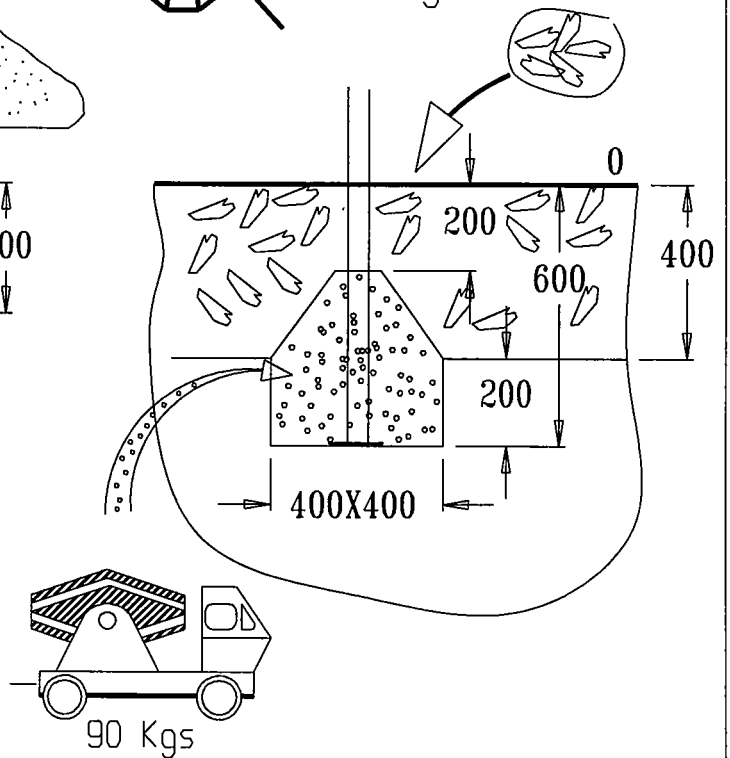
A

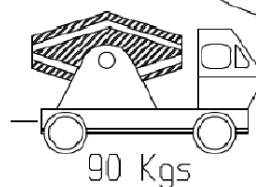
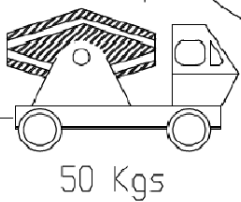
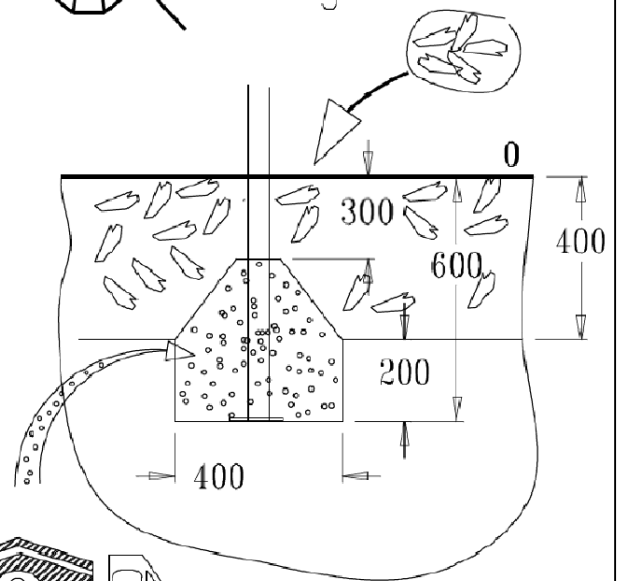
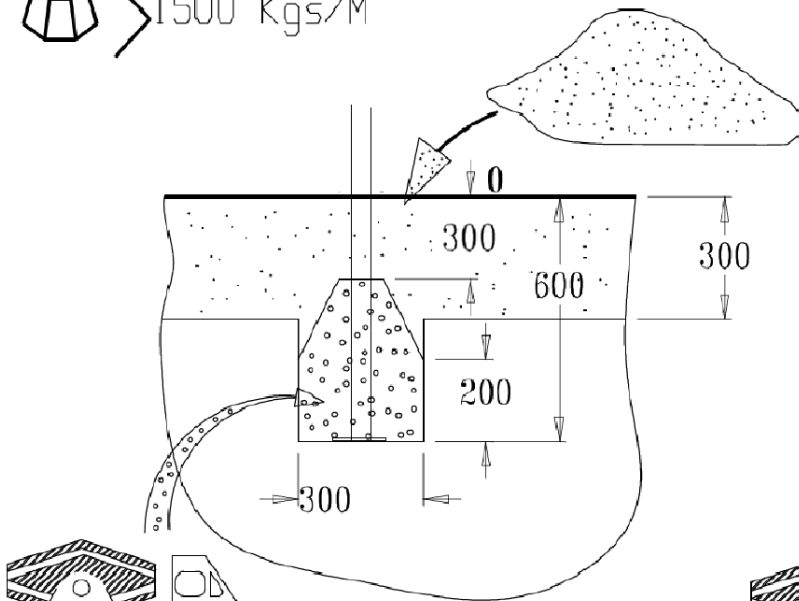
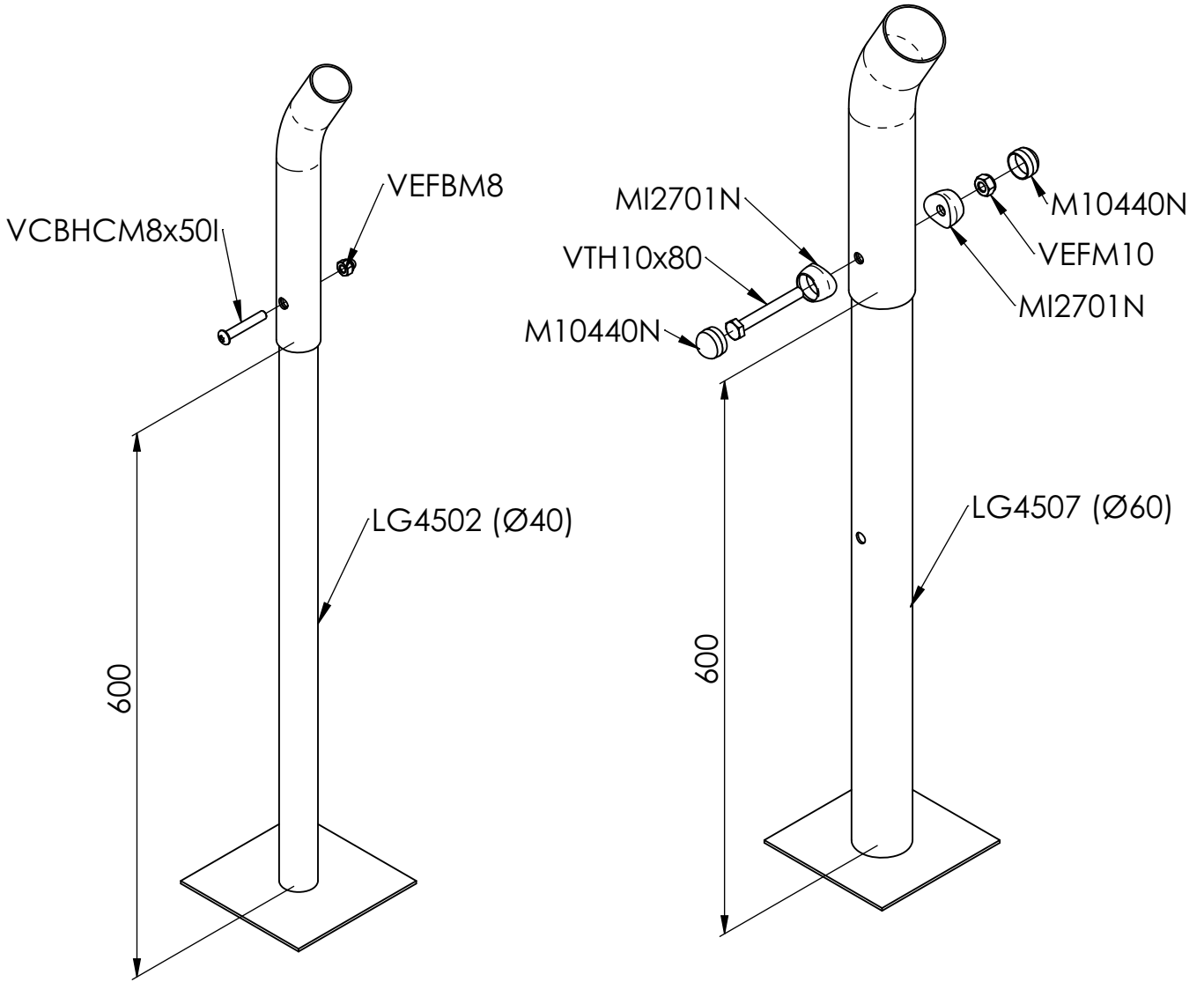


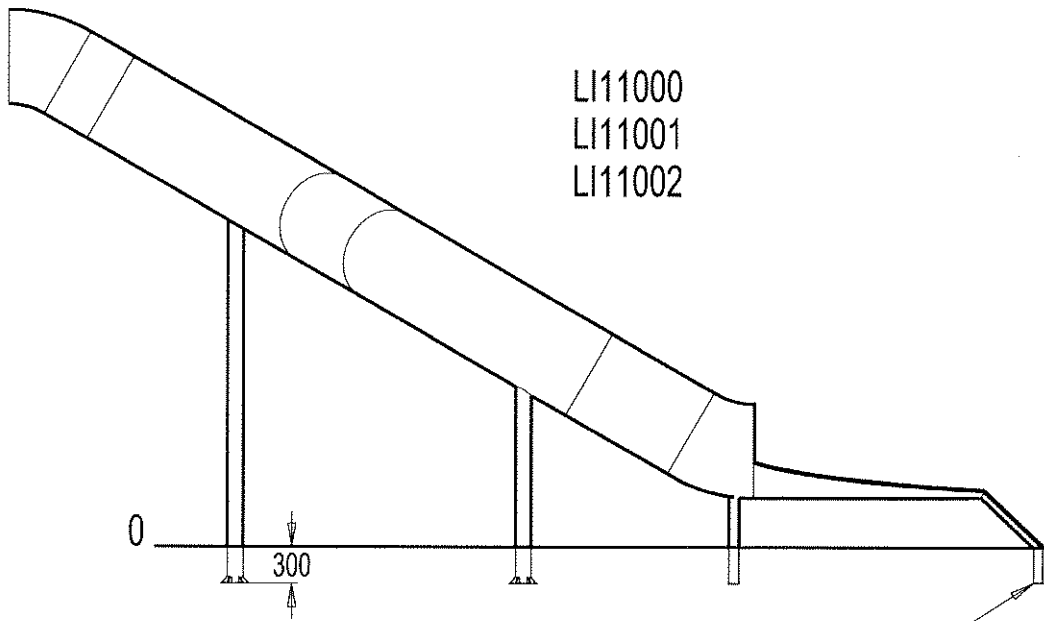
> 1500 Kgs/M³



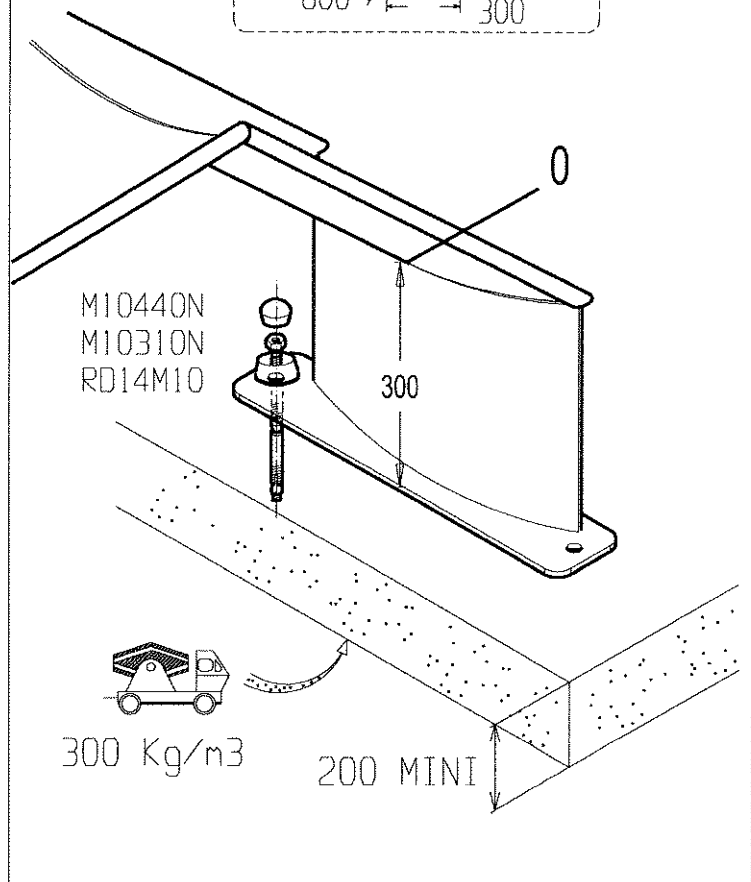
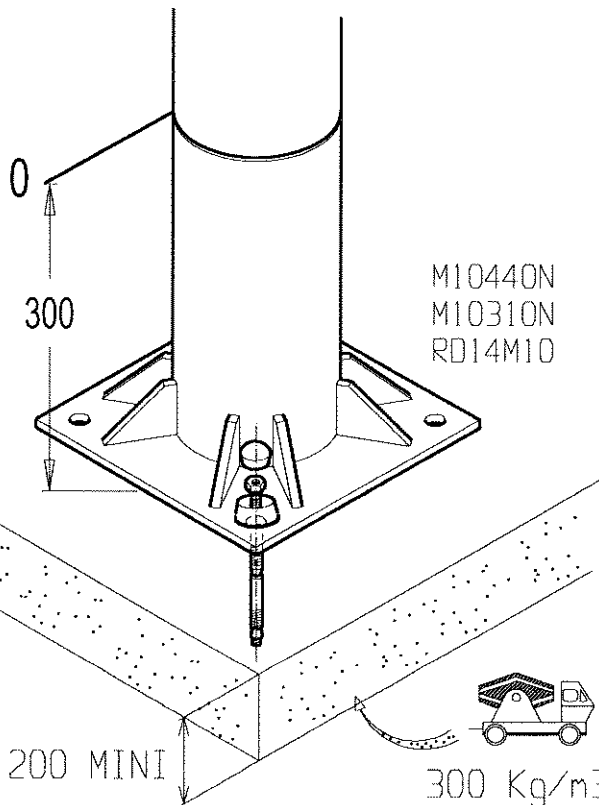
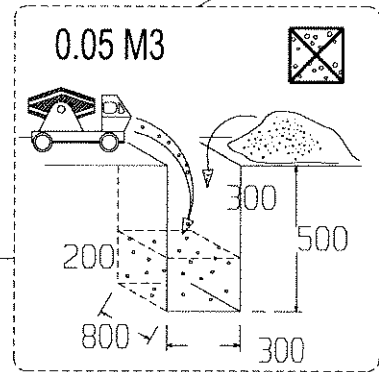
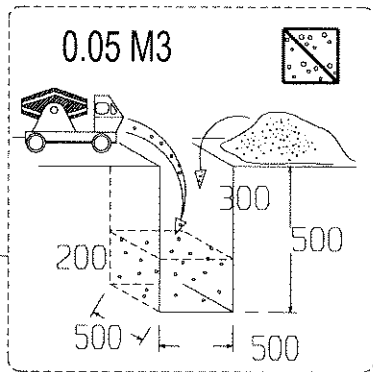
< 1500 Kgs/M³

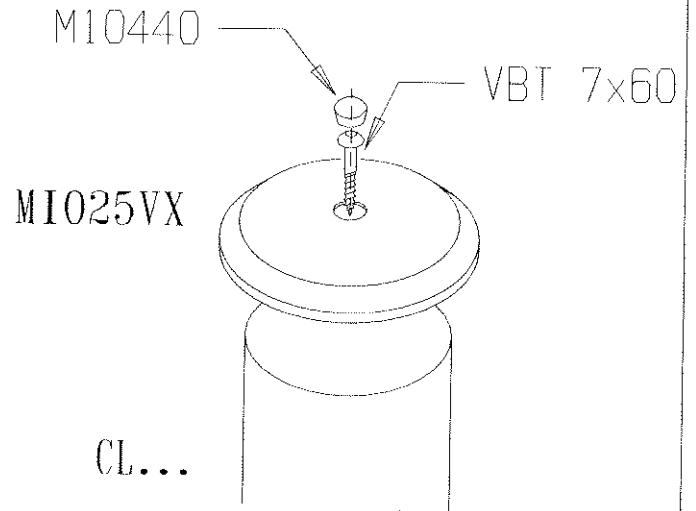
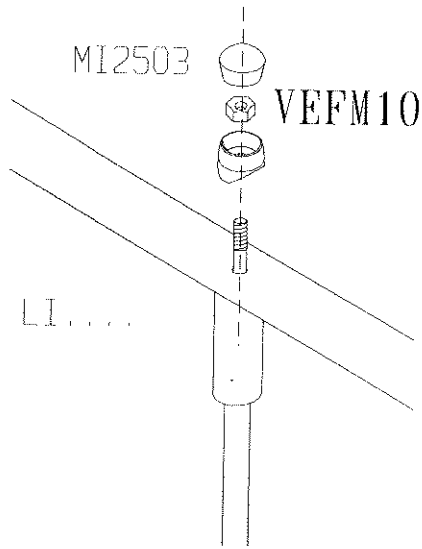




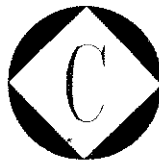
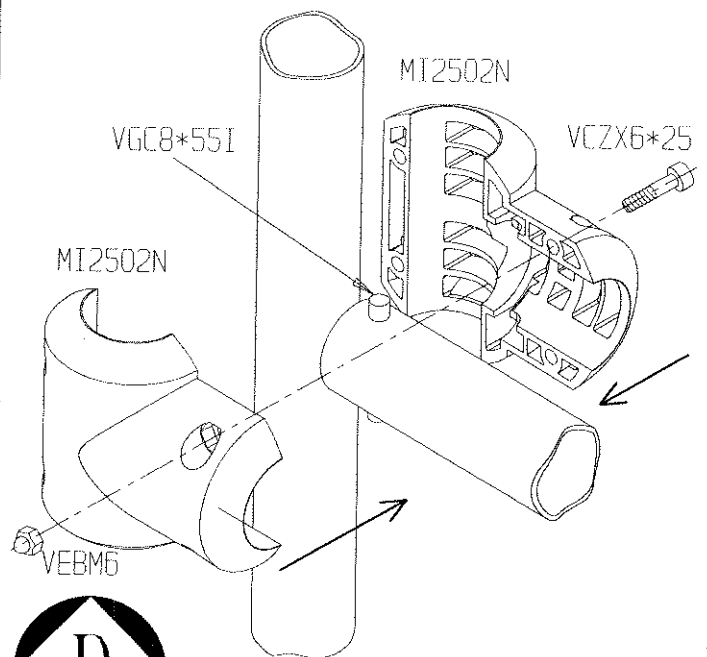
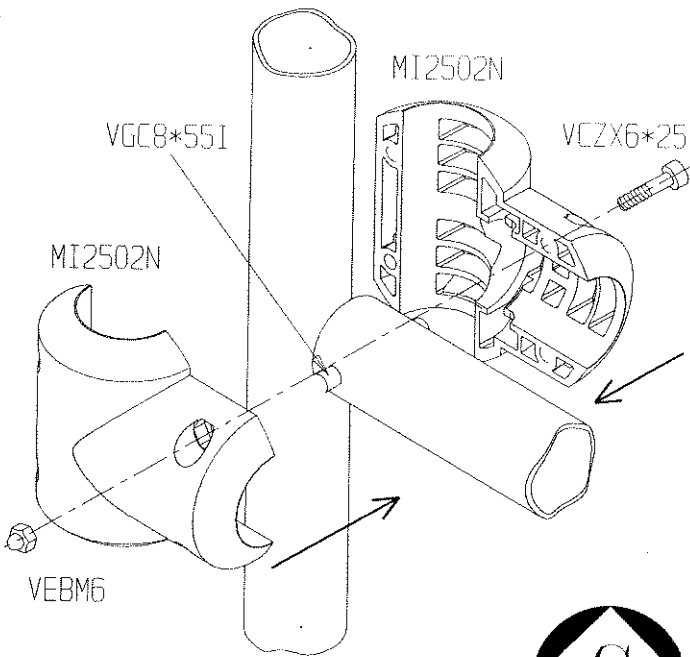


L111000
L111001
L111002

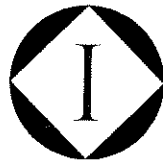
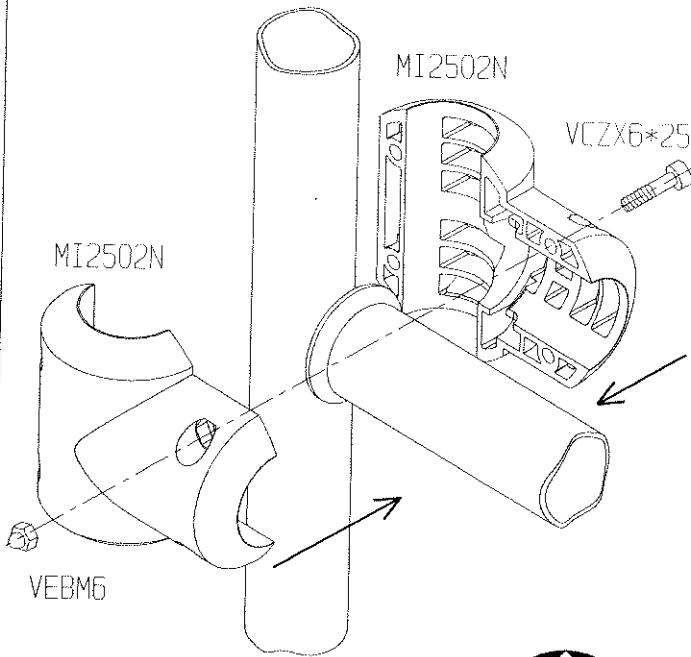




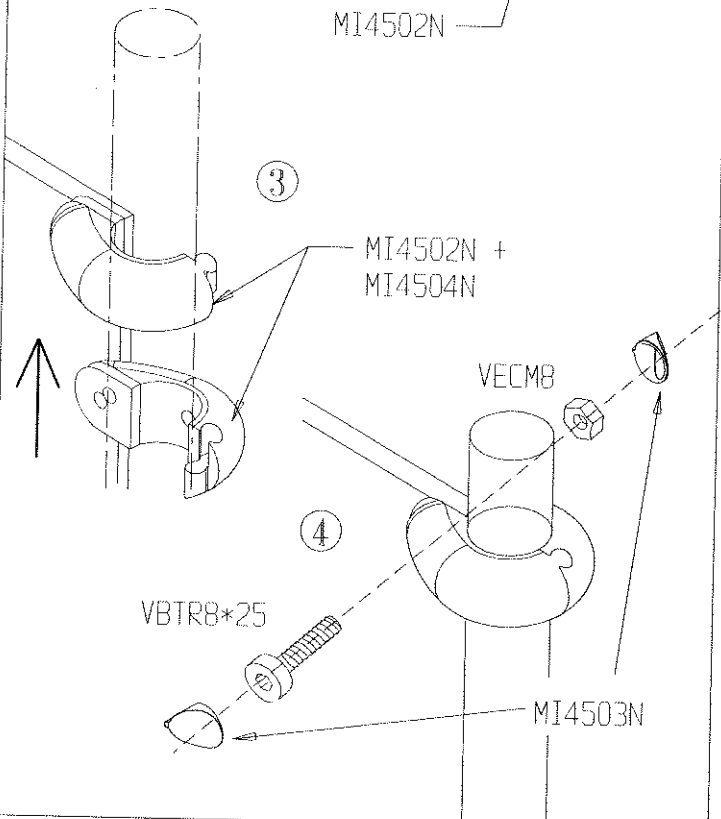
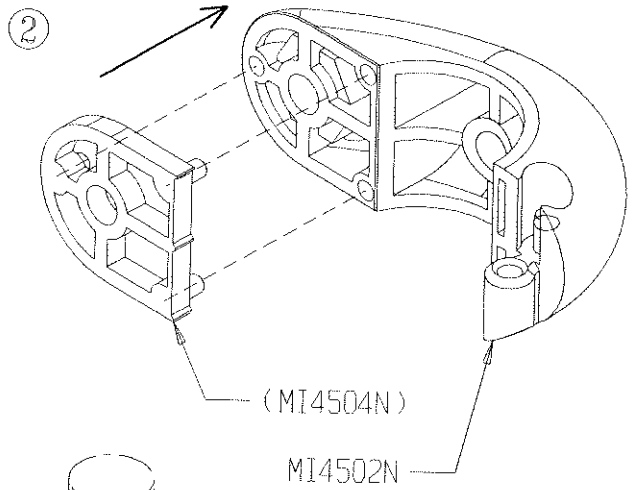
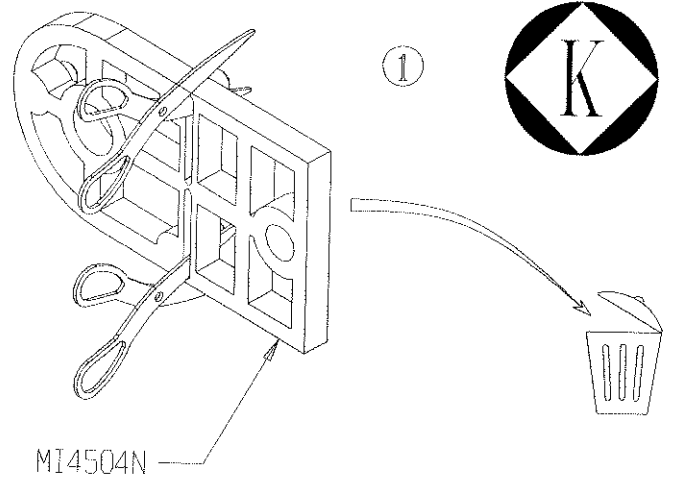
MI2502N + VGC8*55I



MI2502N

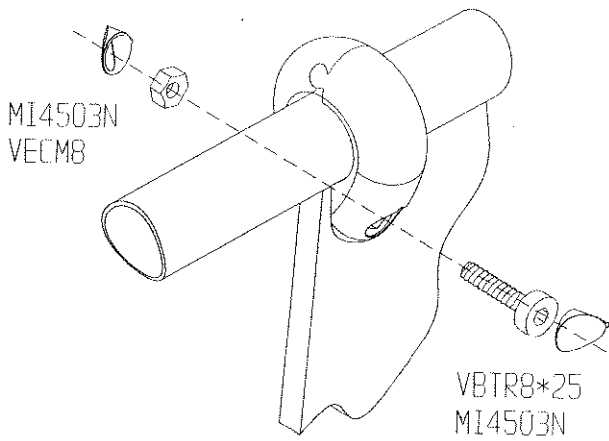
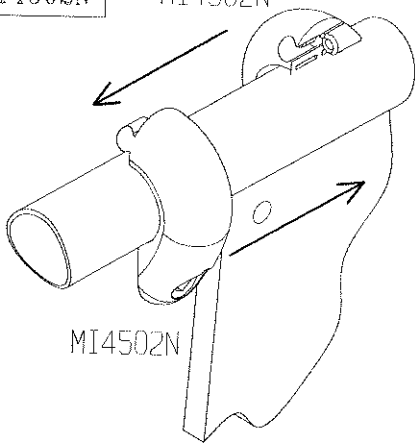


MI4502N + MI4504N



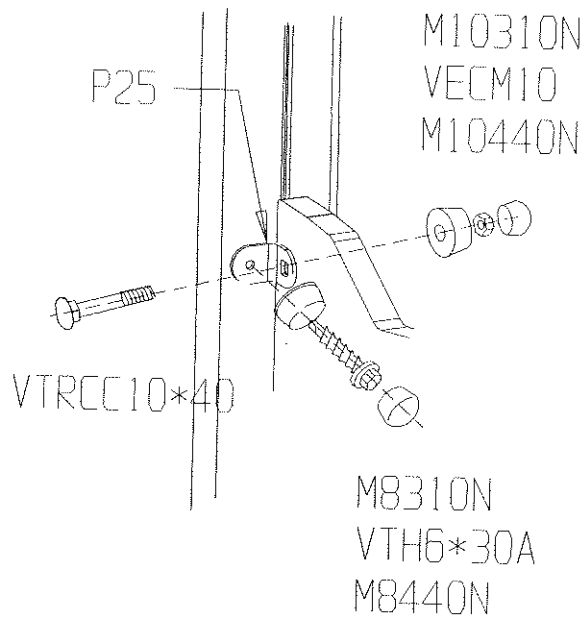
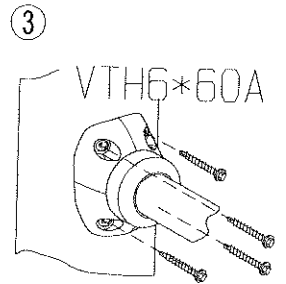
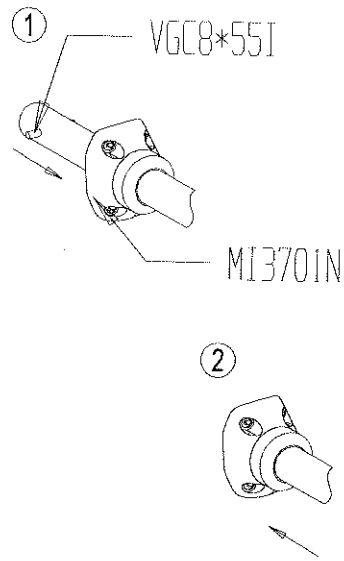
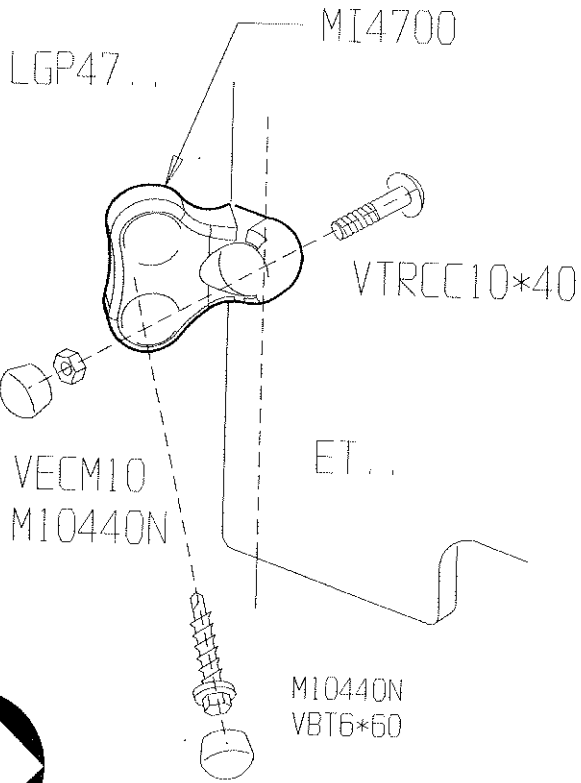
MI4502N

MI4502N

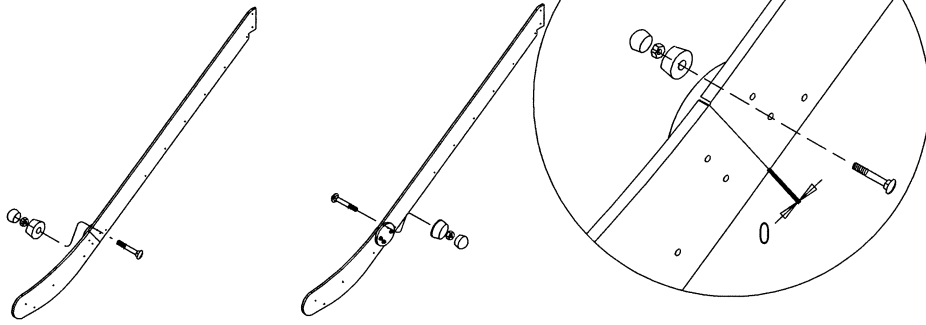


MI4700

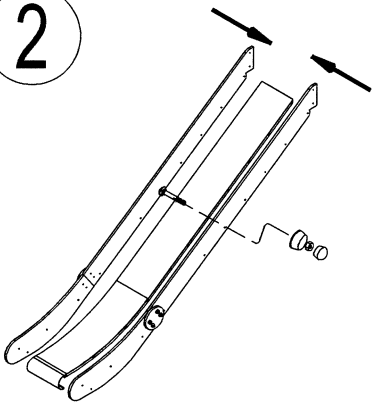
MI3701N



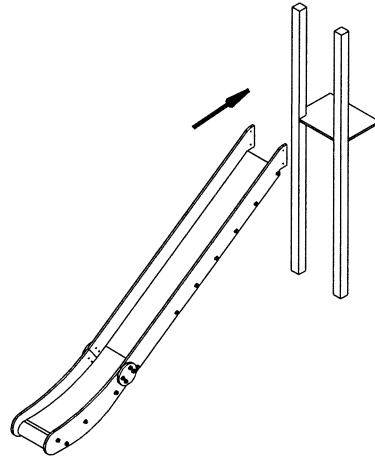
1



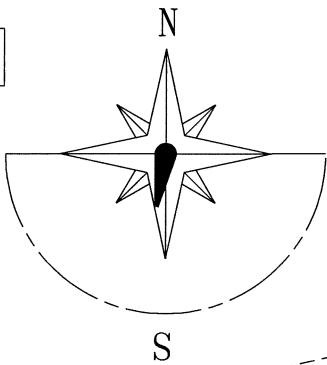
2



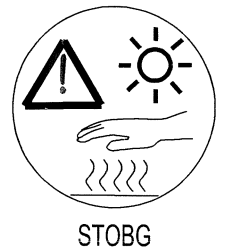
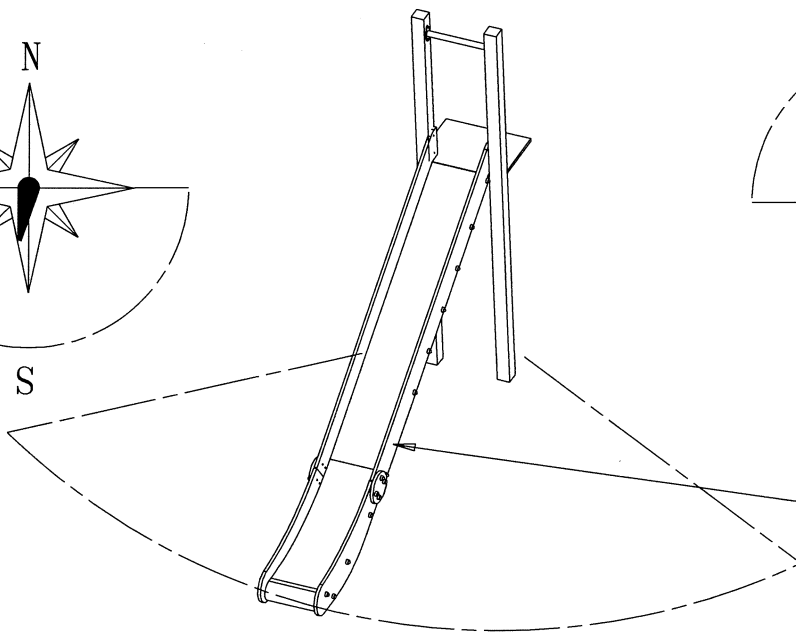
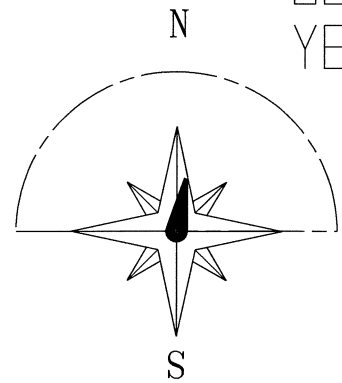
3



NON
NO

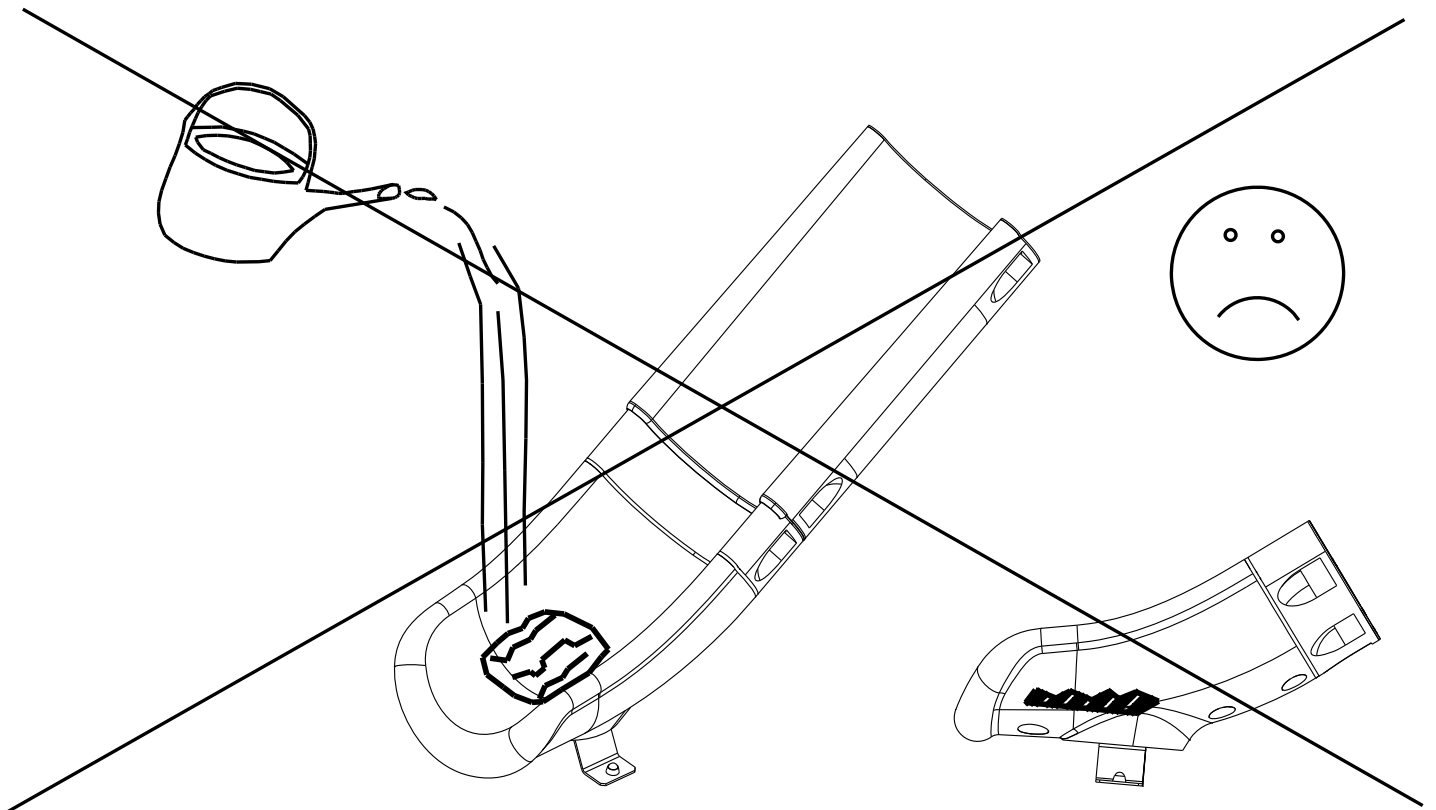
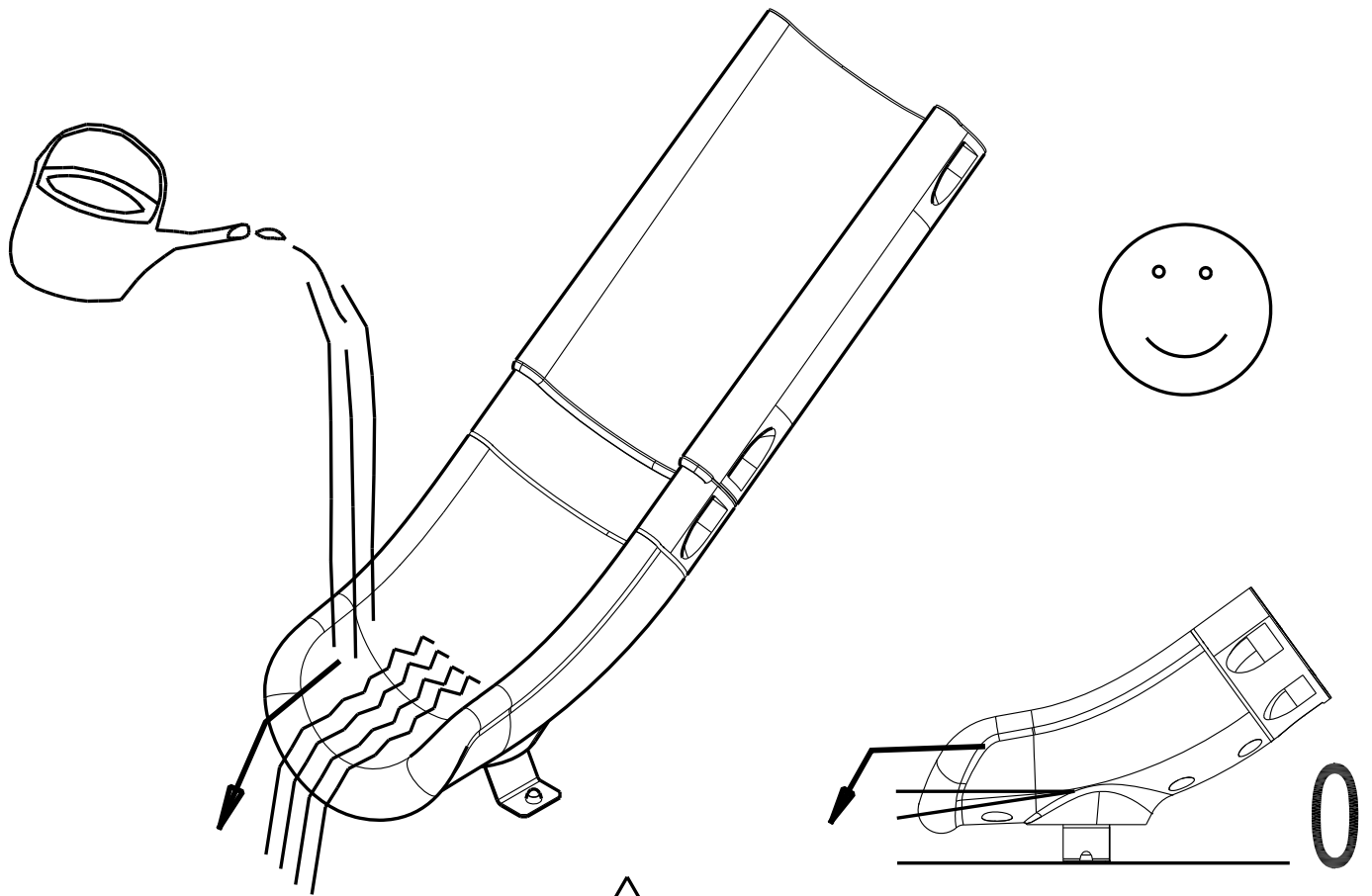


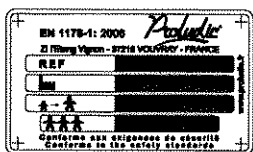
OUI
YES



FR

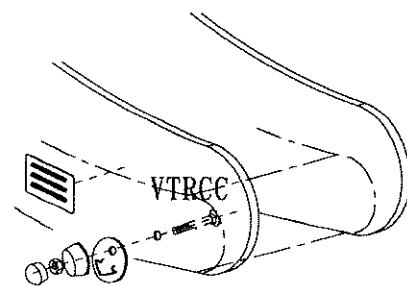
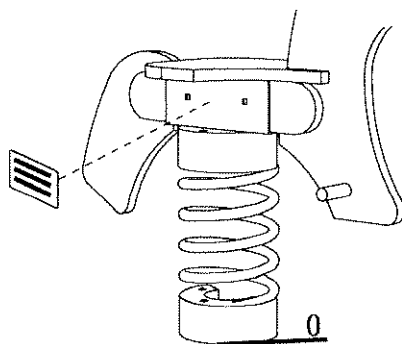
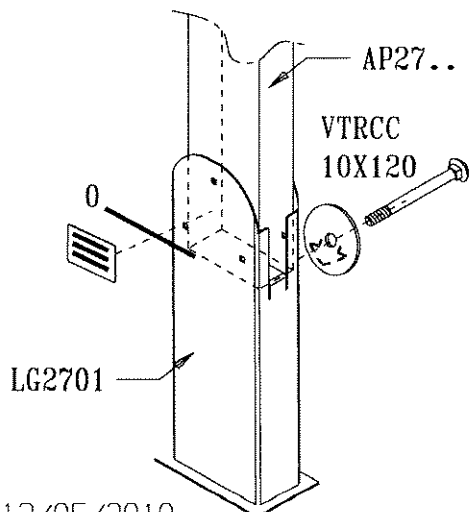
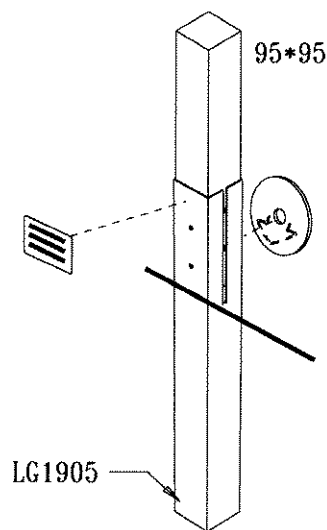
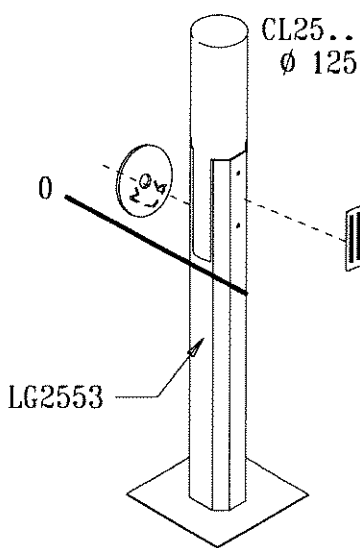
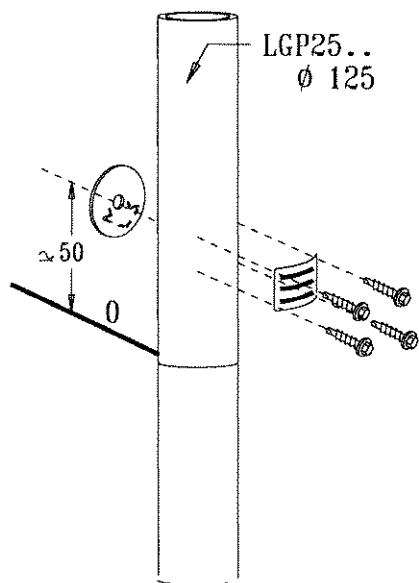
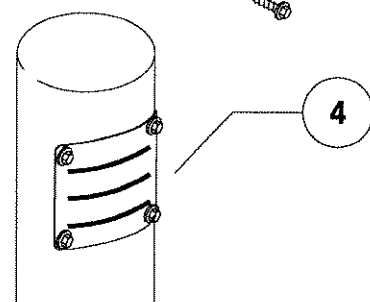
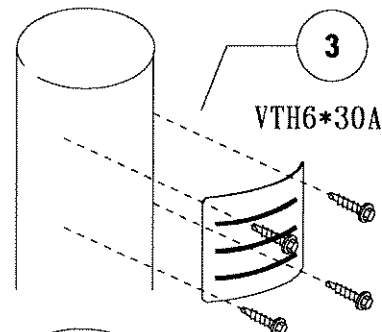
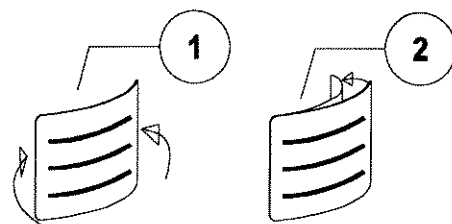
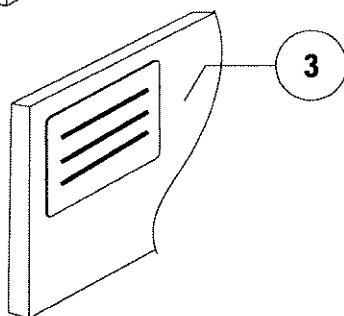
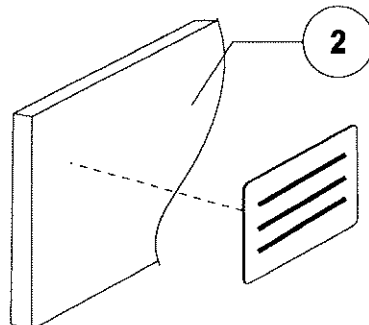
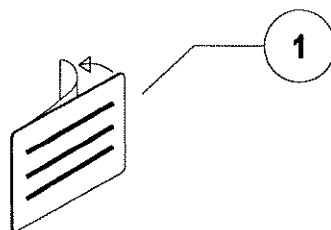
Il est recommandé de ne pas orienter la glissière Sud / Sud Ouest





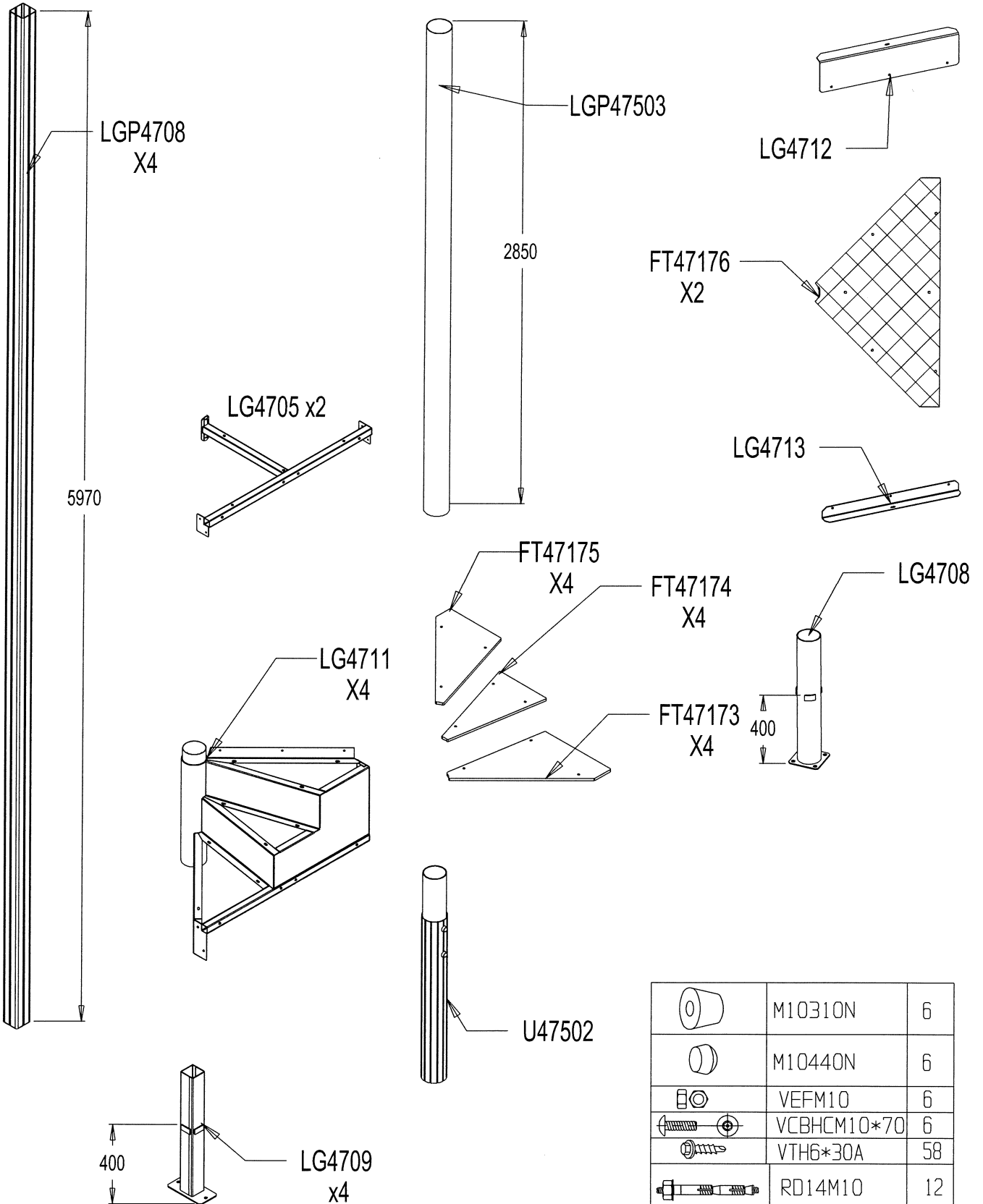
LA000

MI0002

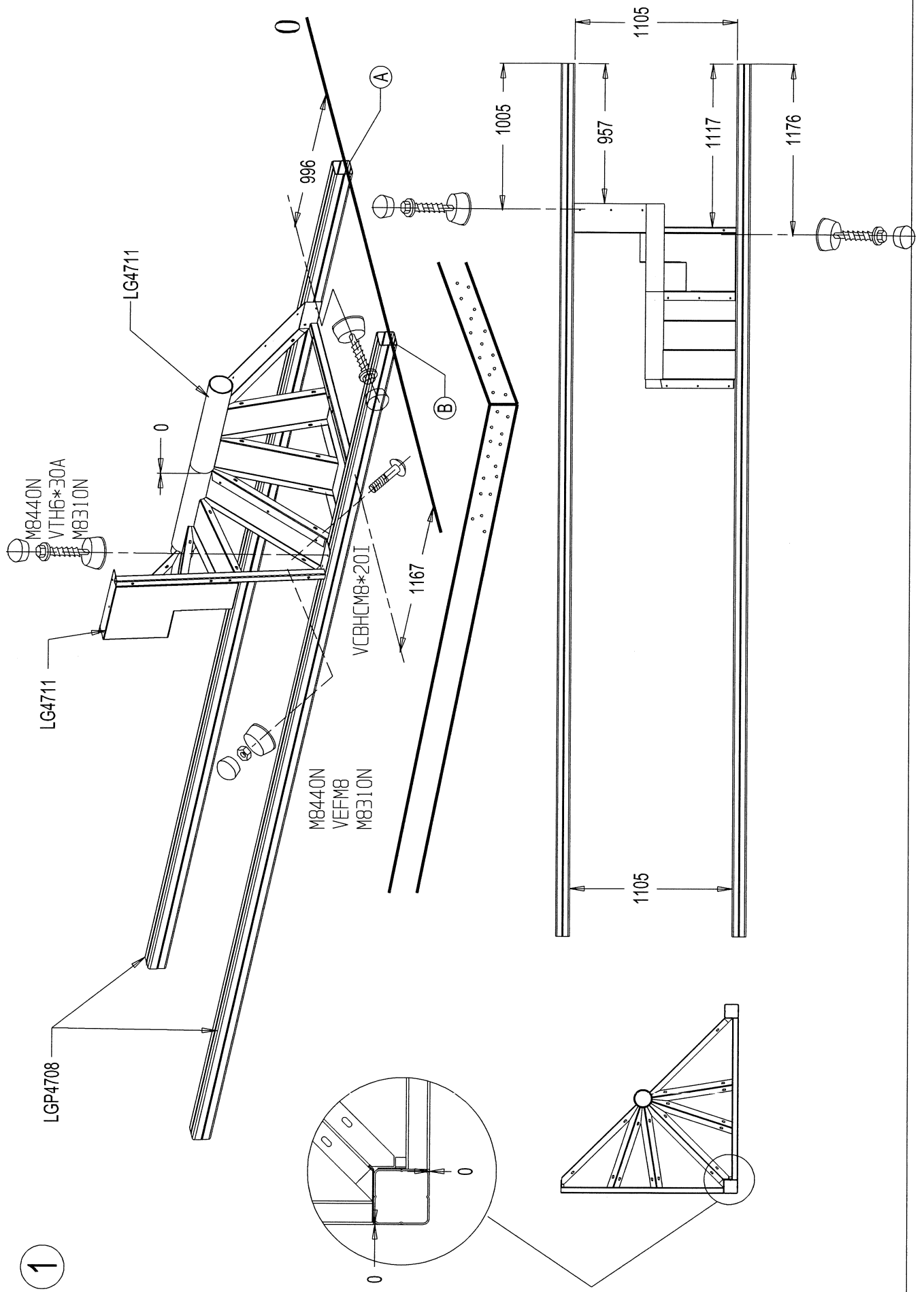




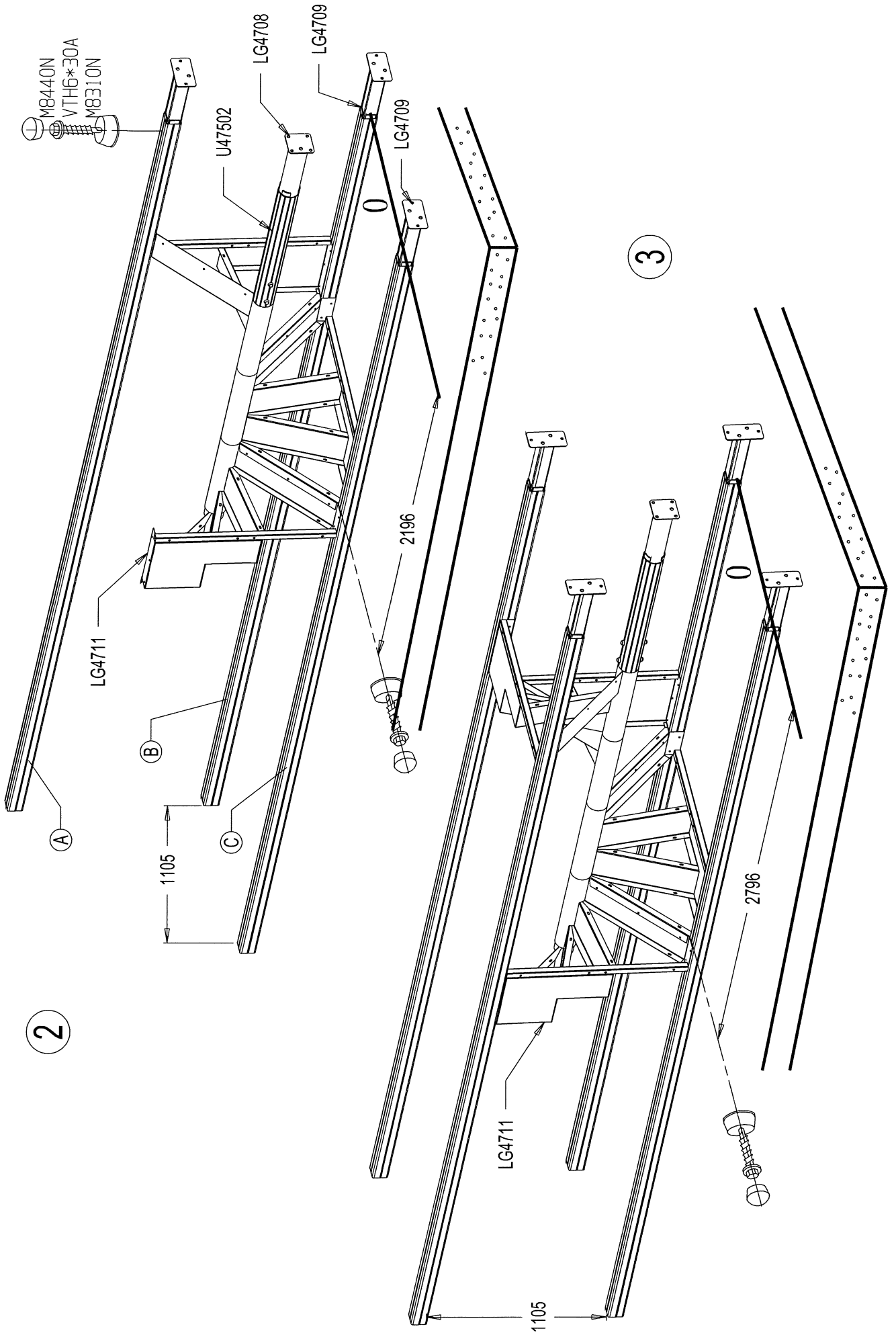




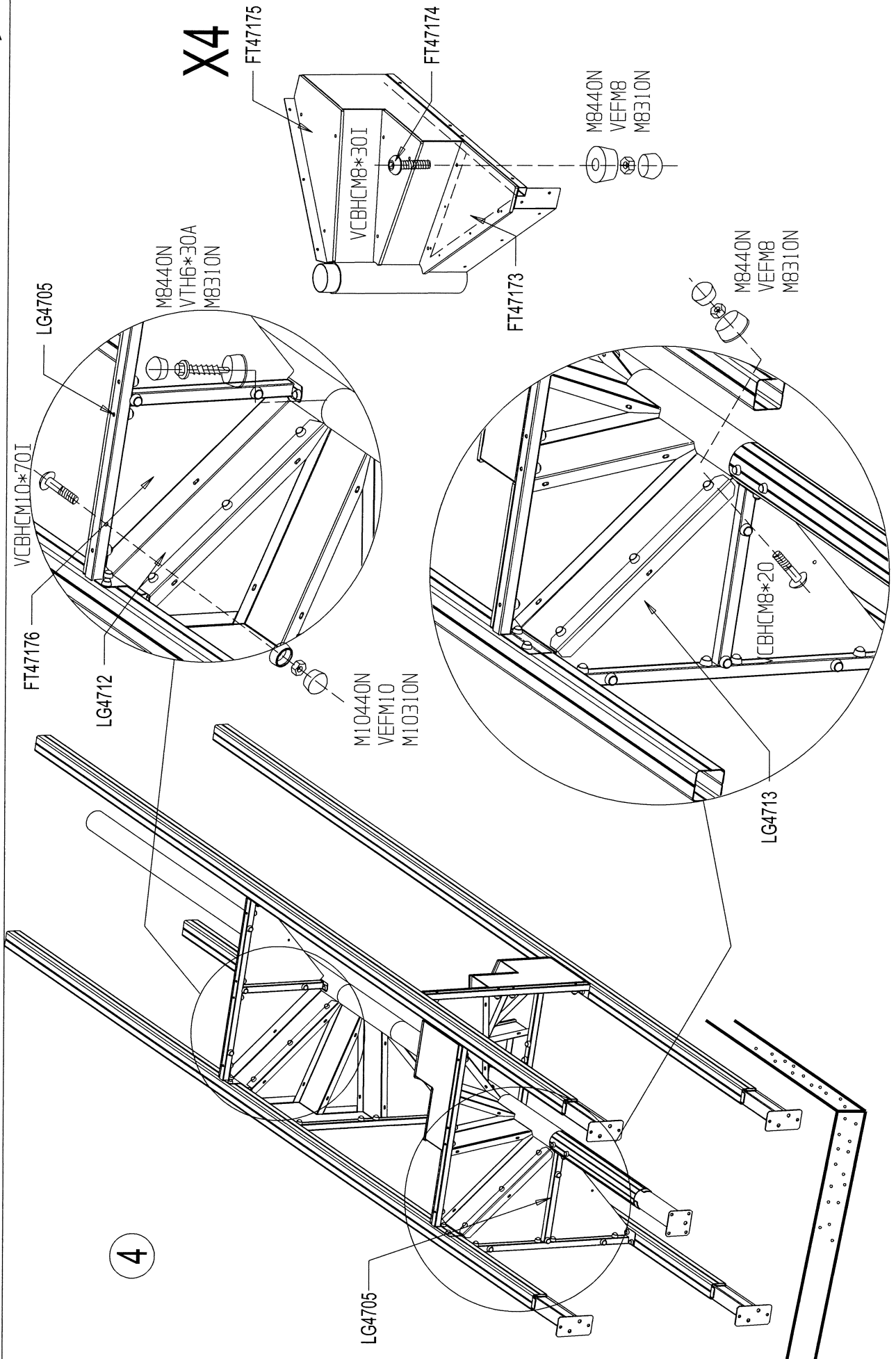
	M10310N	6
	M10440N	6
	VEFM10	6
	VCBHCM10*70	6
	VTH6*30A	58
	RD14M10	12
	VCBHCM8*30I	36
	VCBHCM8*20I	6
	M8310N	100
	M8440N	100
	VEFM8	42

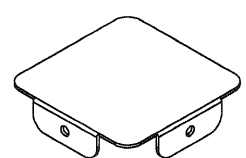
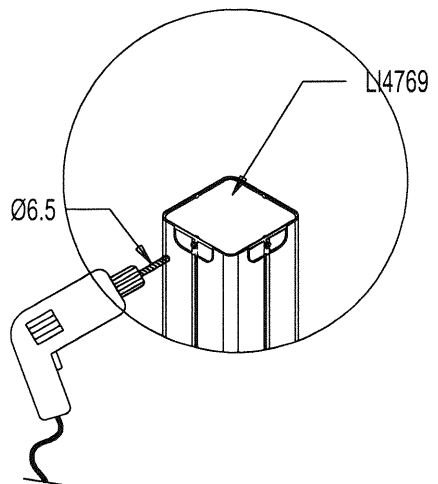
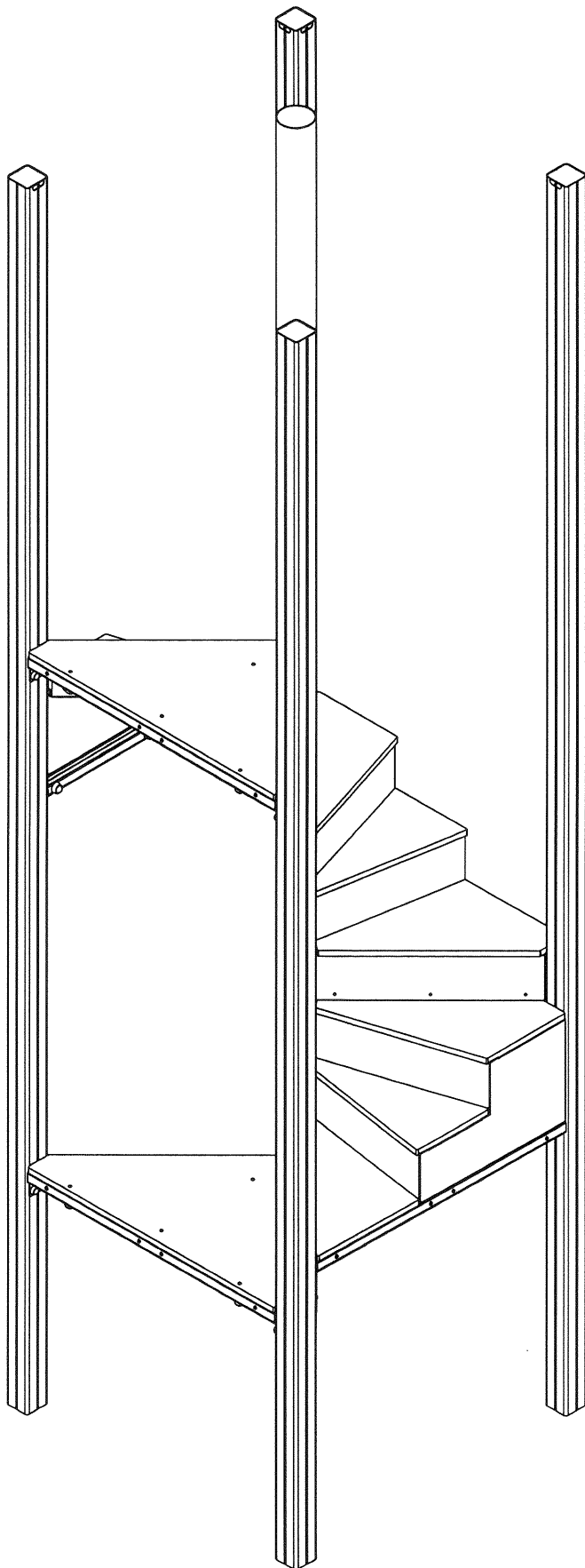


1

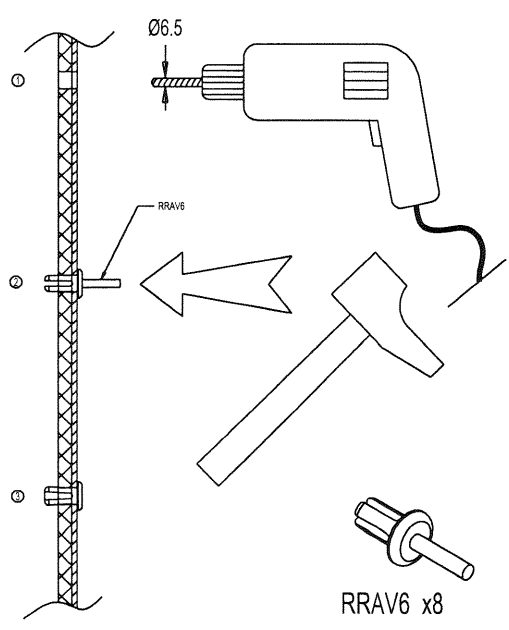


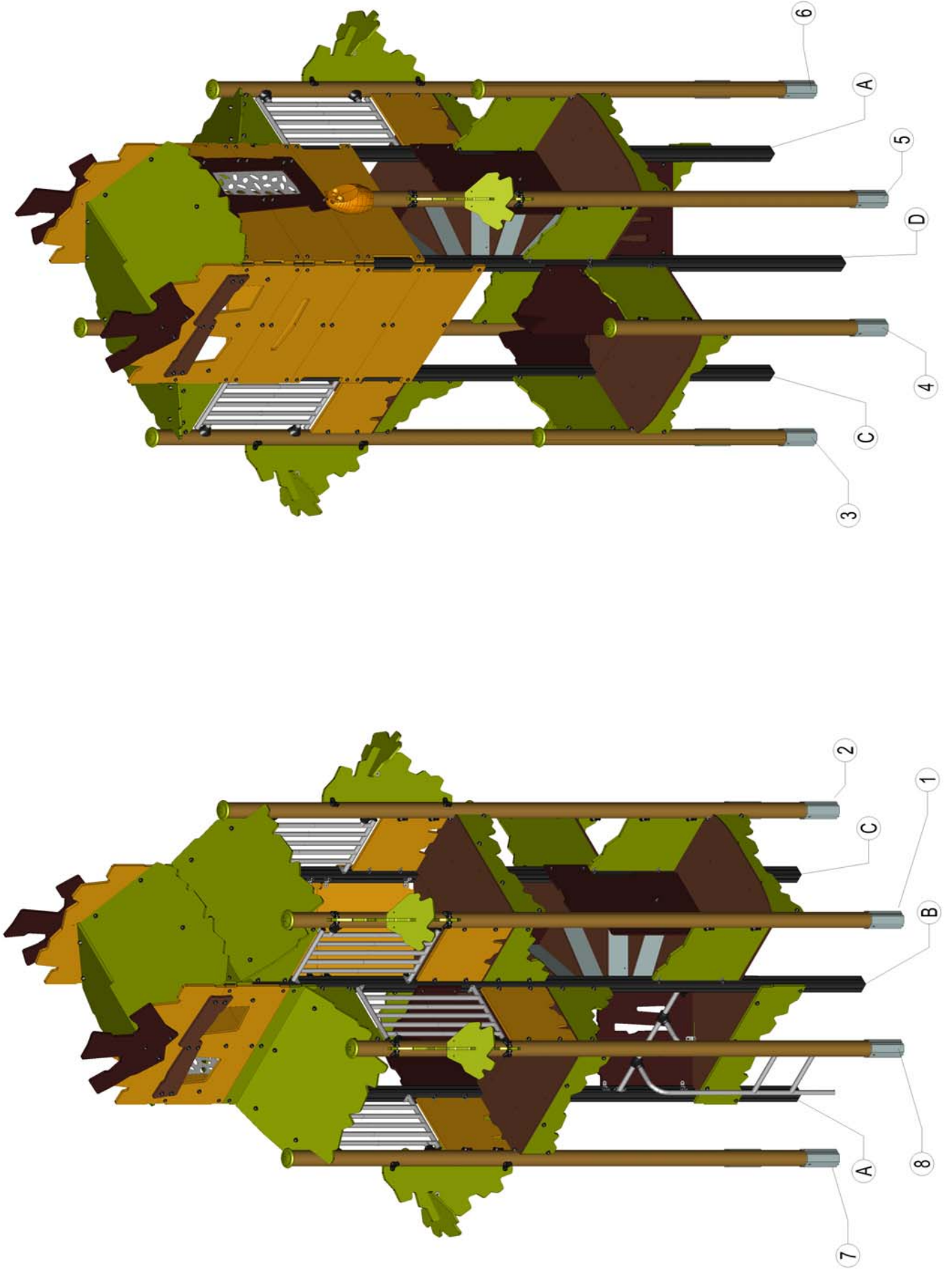
X4

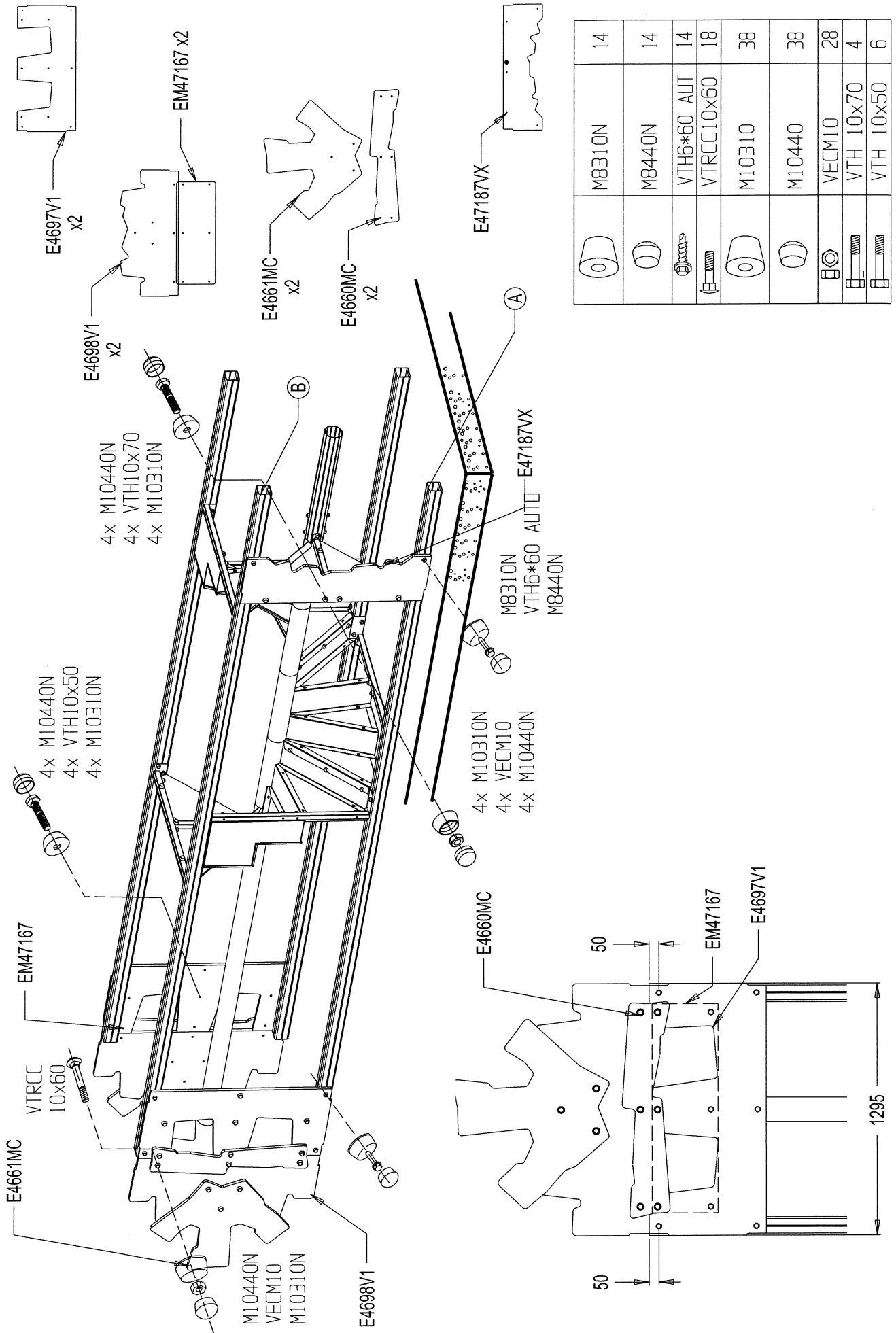


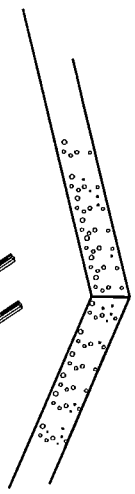
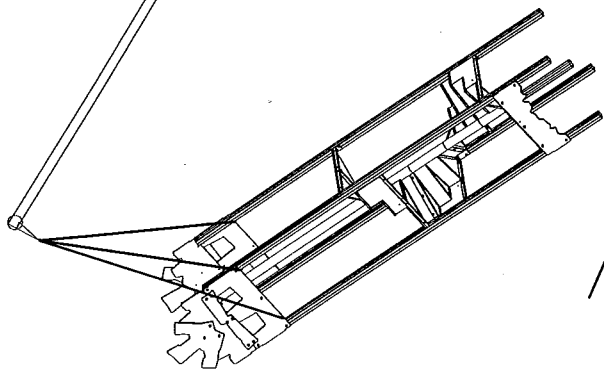
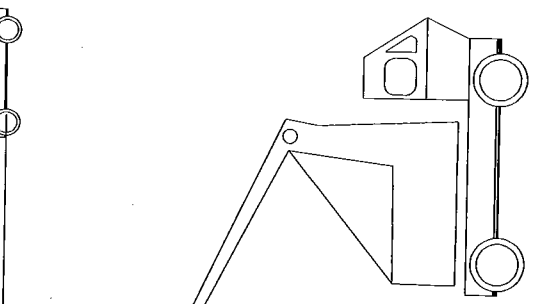
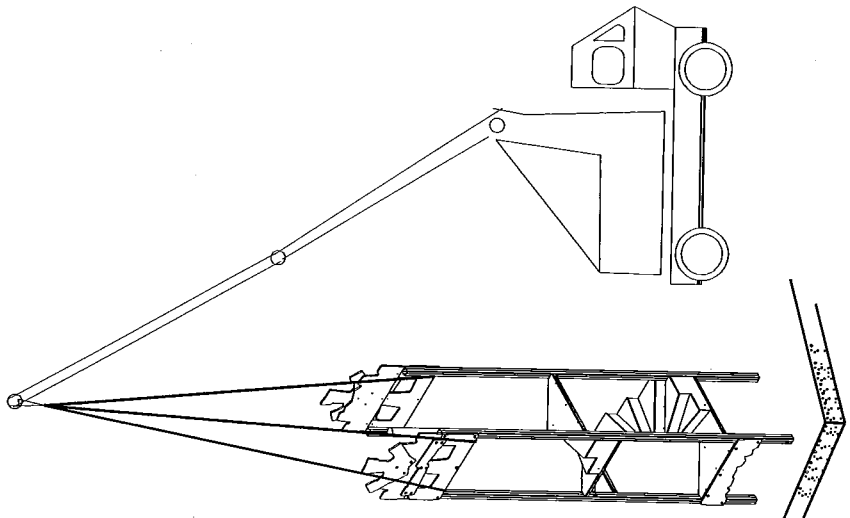
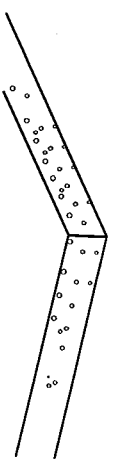
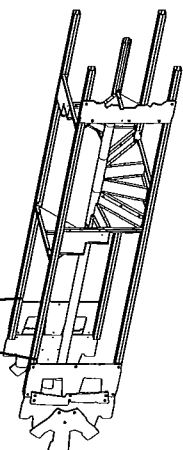
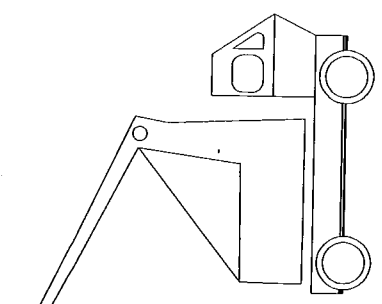
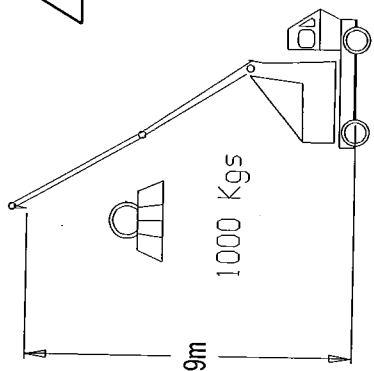


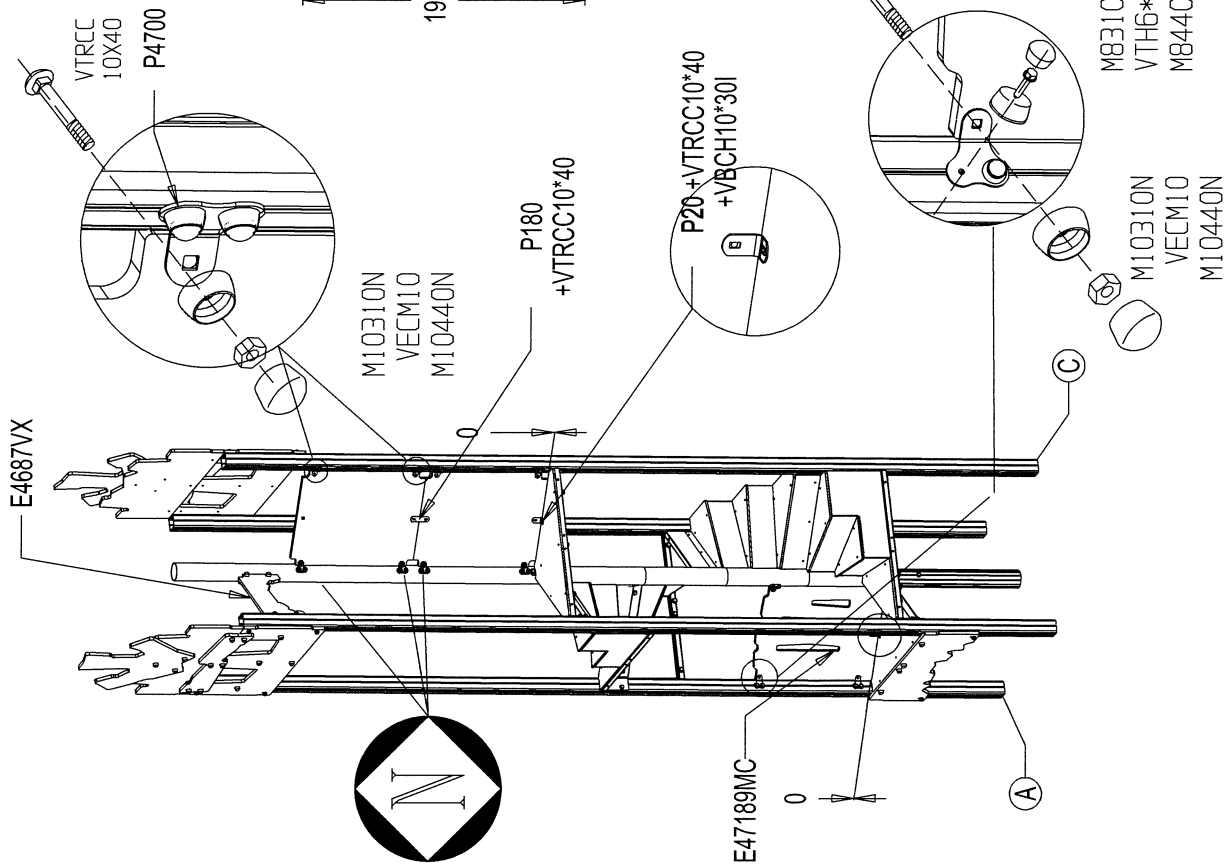
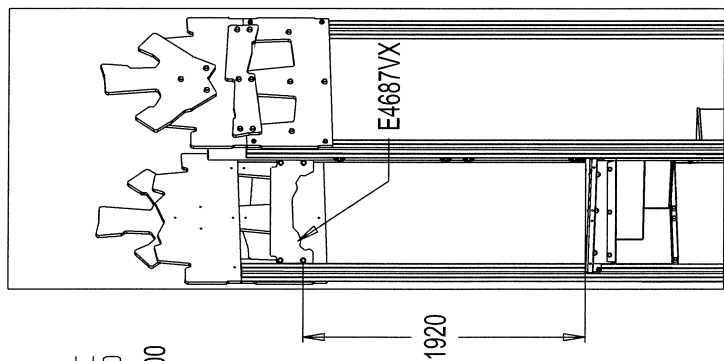
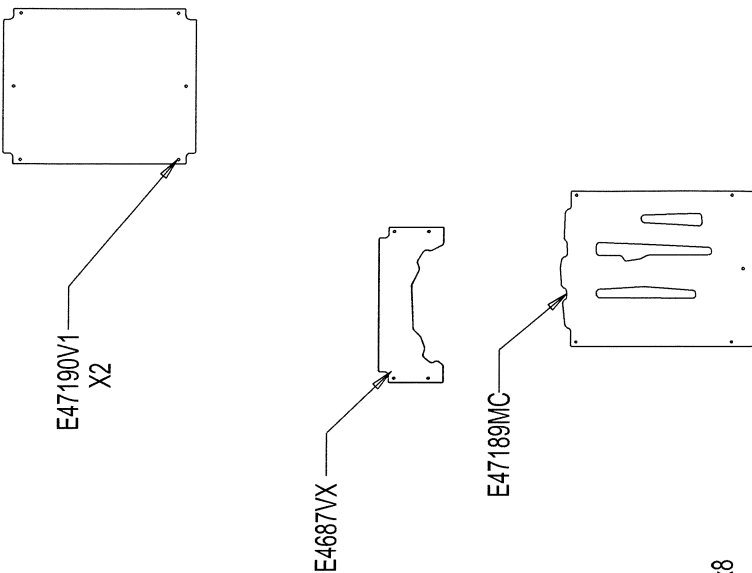
LI4769 x4



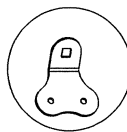






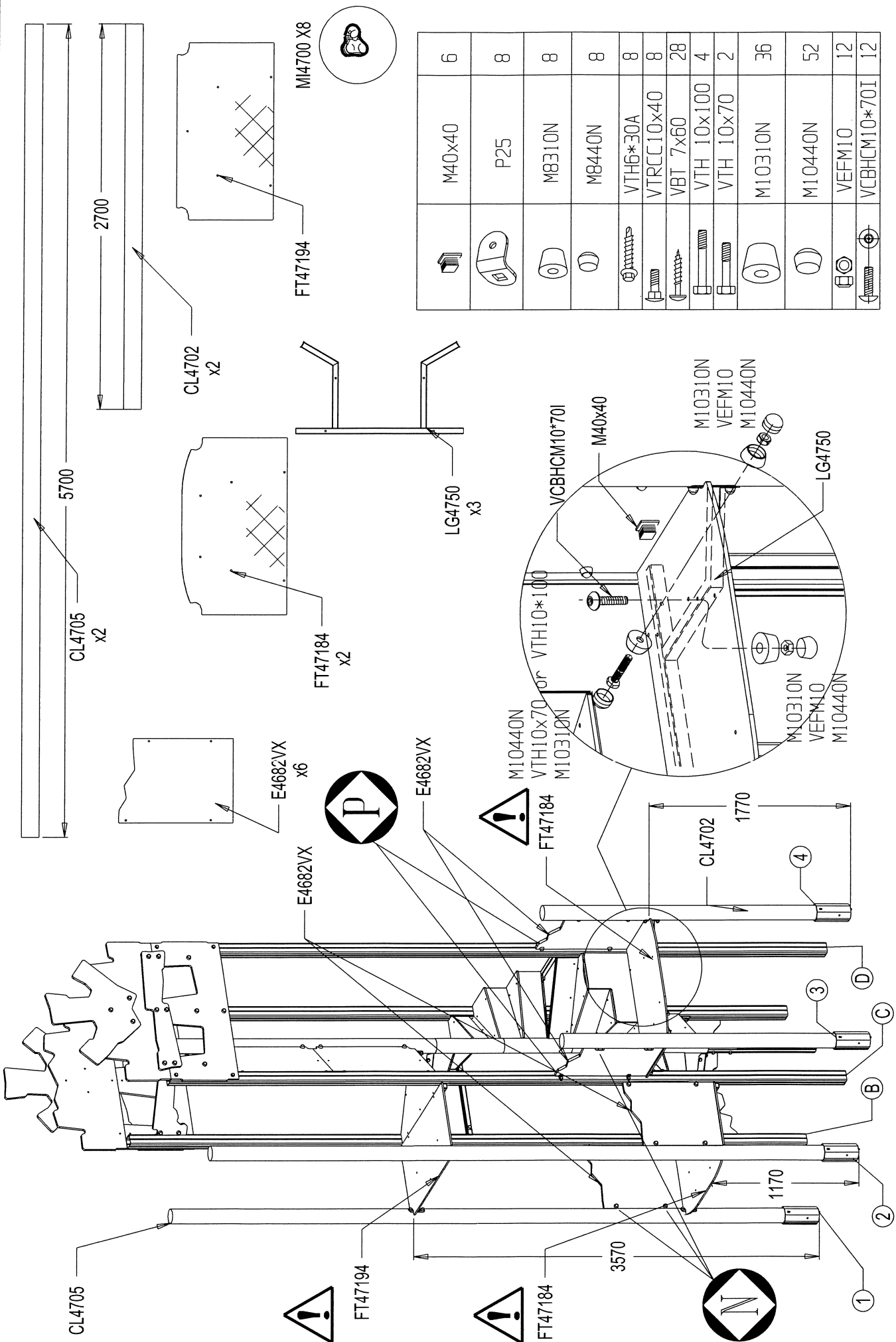


P4700 x8

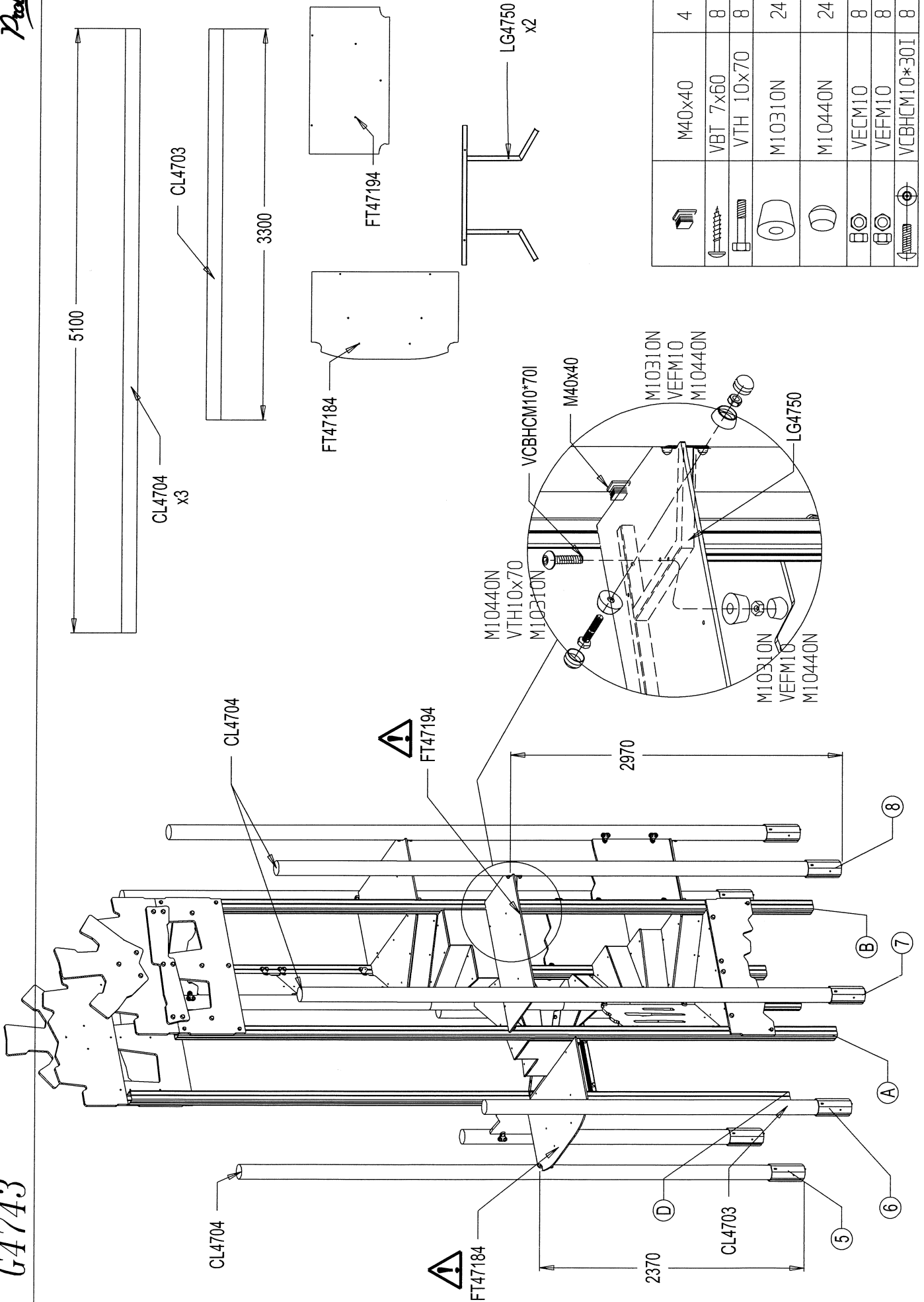


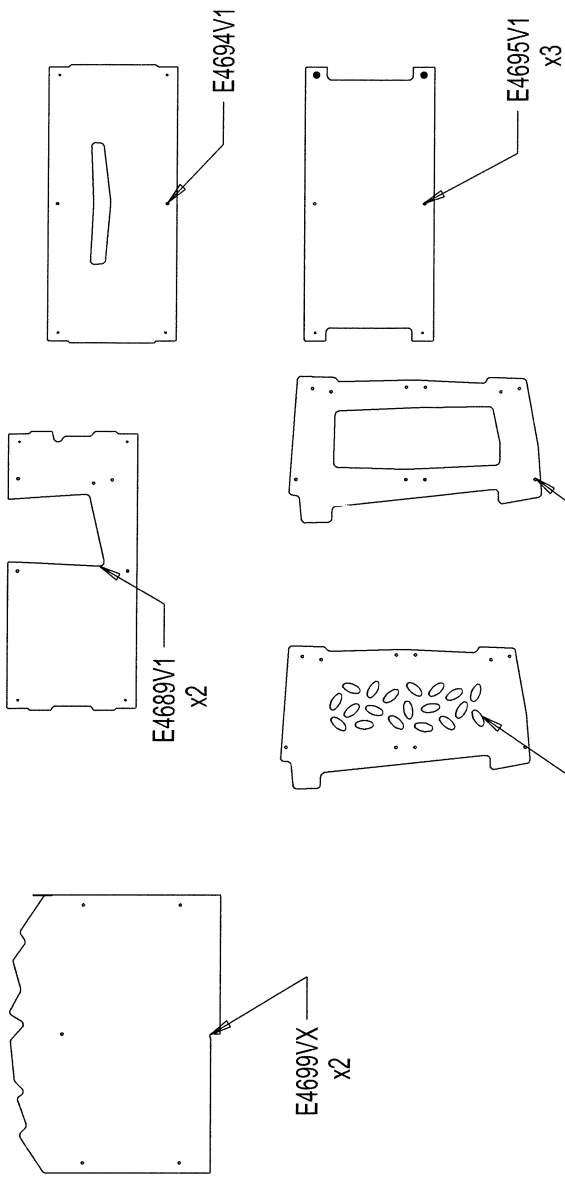
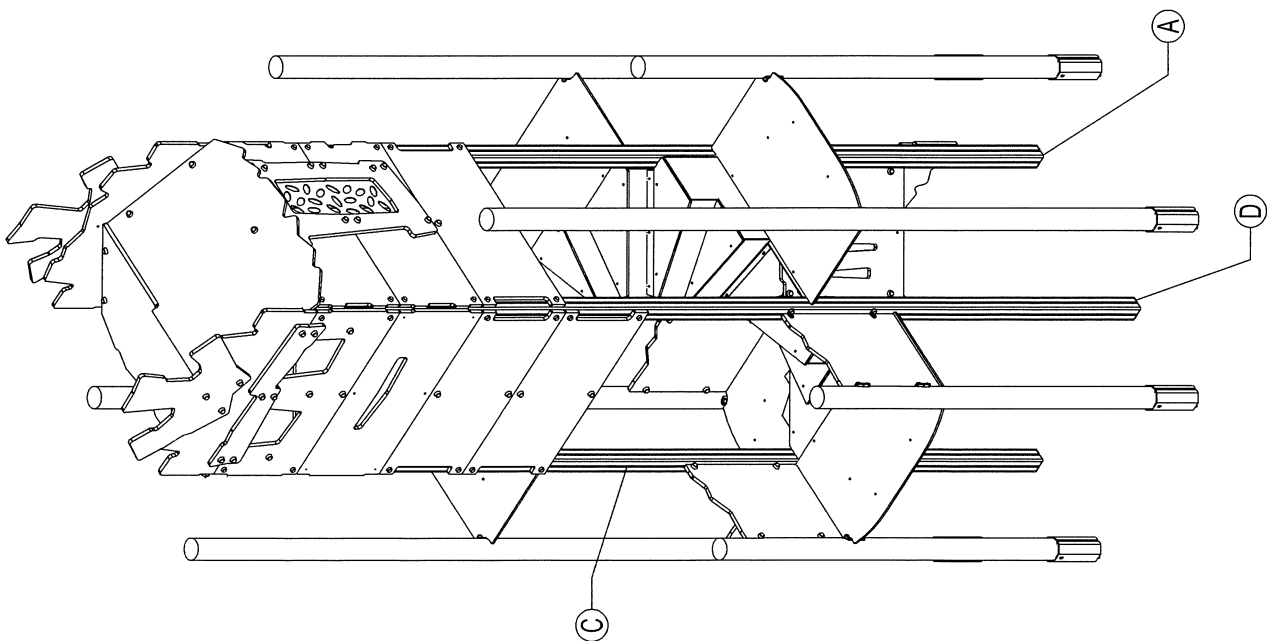
M4700 x8

	P20	2
	P180	1
	M8310N	32
	M8440N	32
	VTRCC10x40	21
	VTH6*30A	32
	M10310N	21
	M10440N	21
	VECM10	16

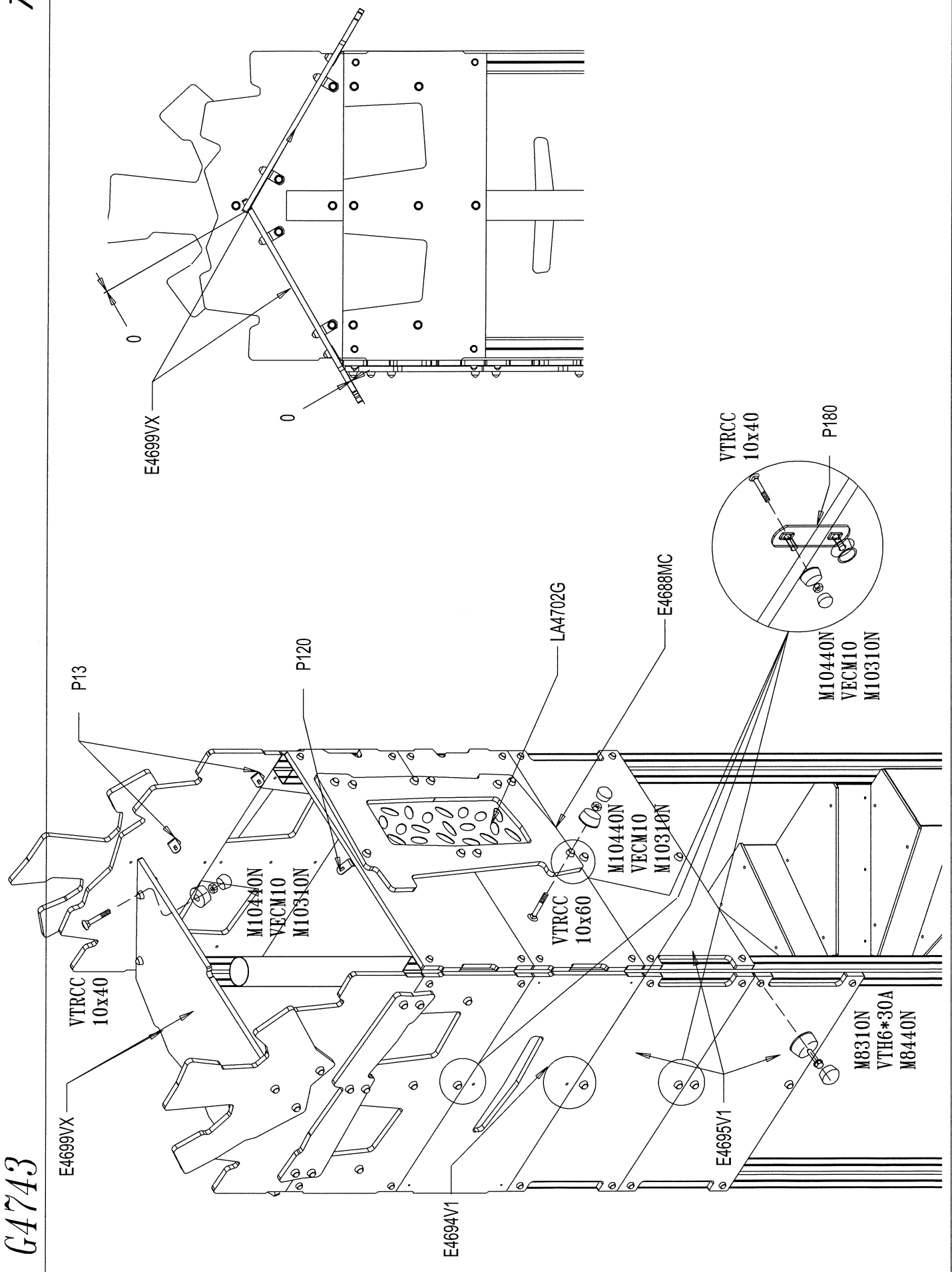


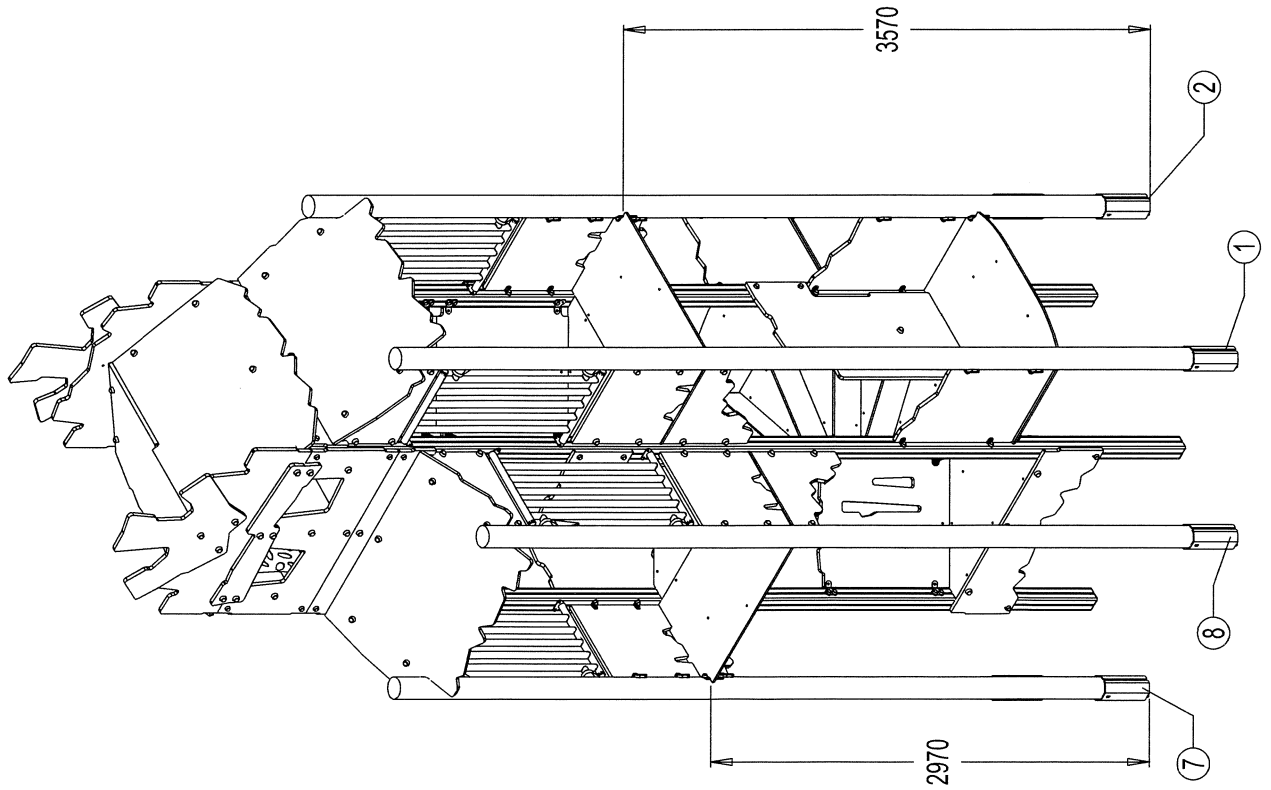
	M40x40	6
	P25	8
	M8310N	8
	M8440N	8
	VTH6*30A	8
	VTRCC10x40	8
	VBT 7x60	28
	VTH 10x100	4
	VTH 10x70	2
	M10310N	36
	M10440N	52
	VEFM10	12
	VCBHCM10*70I	12



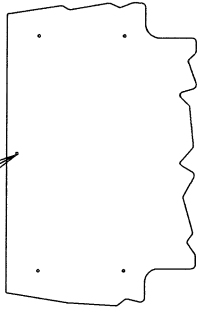


	M8310N	24
	M8440N	24
	VTH6*30A	24
	M10310	38
	M10440	38
	VECM10	38
	VTRCC10x40	19
	VTRCC10x60	19
	70 mm	120° : P120 2
	90°	70 mm : P13 8
	70 mm	180° : P180 4

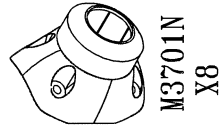
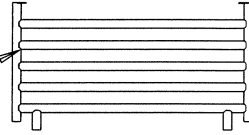




E4669VX
X2

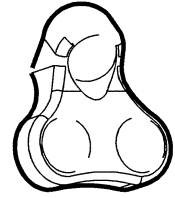
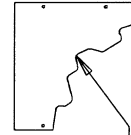


LI4751
X4



M3701N
X8

E4667VX
X4

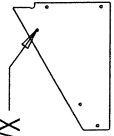


MI4700
X16

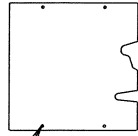
E4670VX
X2



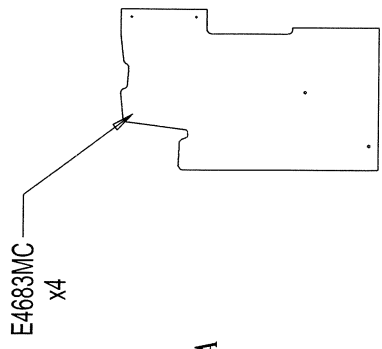
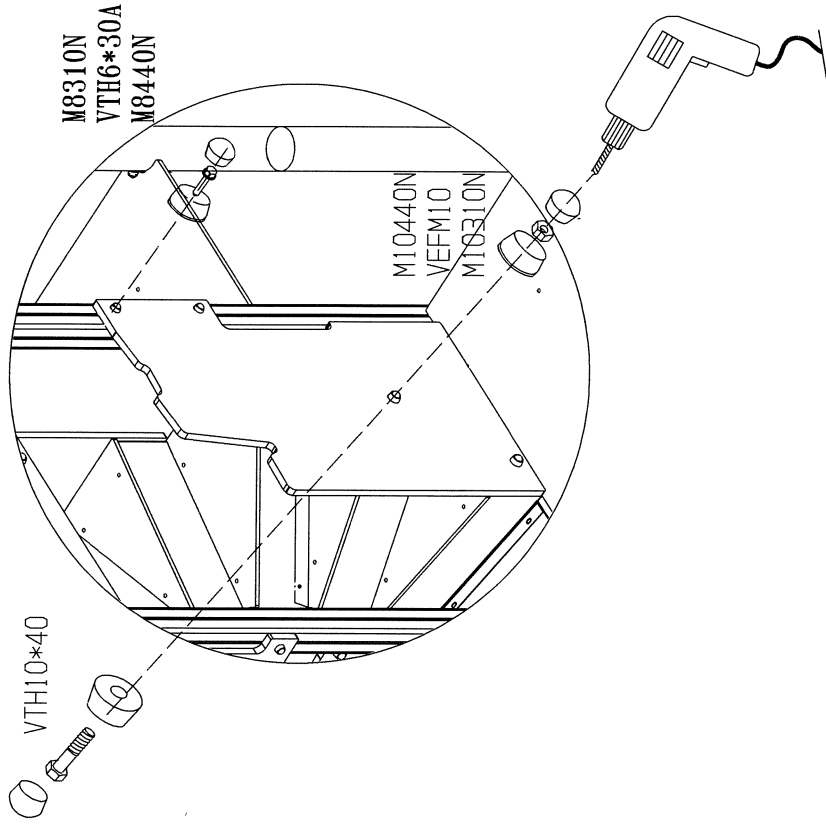
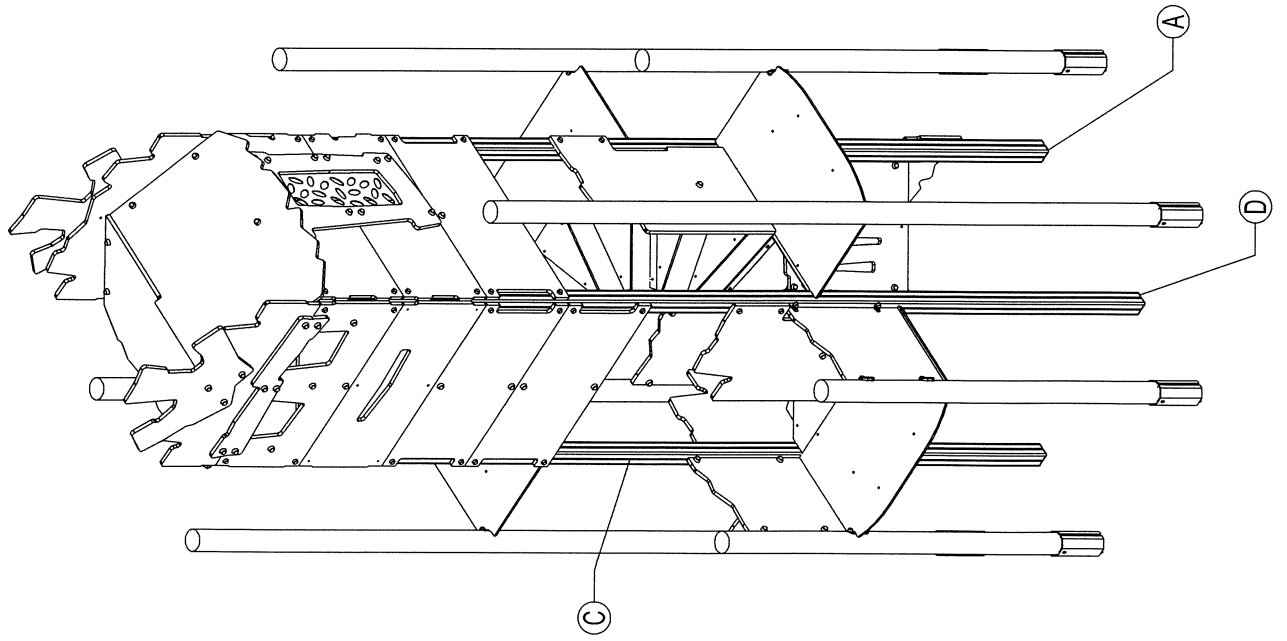
E4671VX
X4



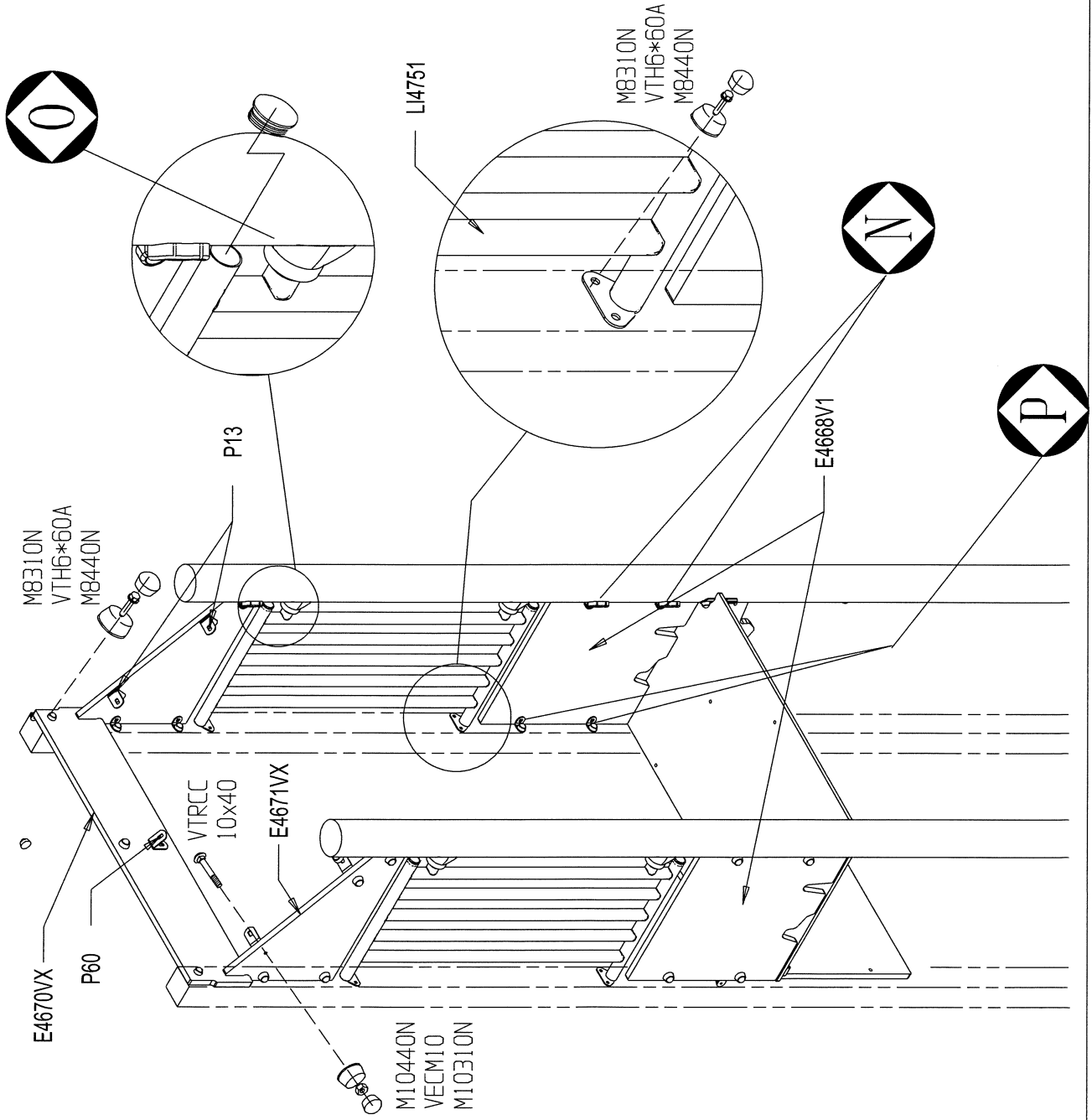
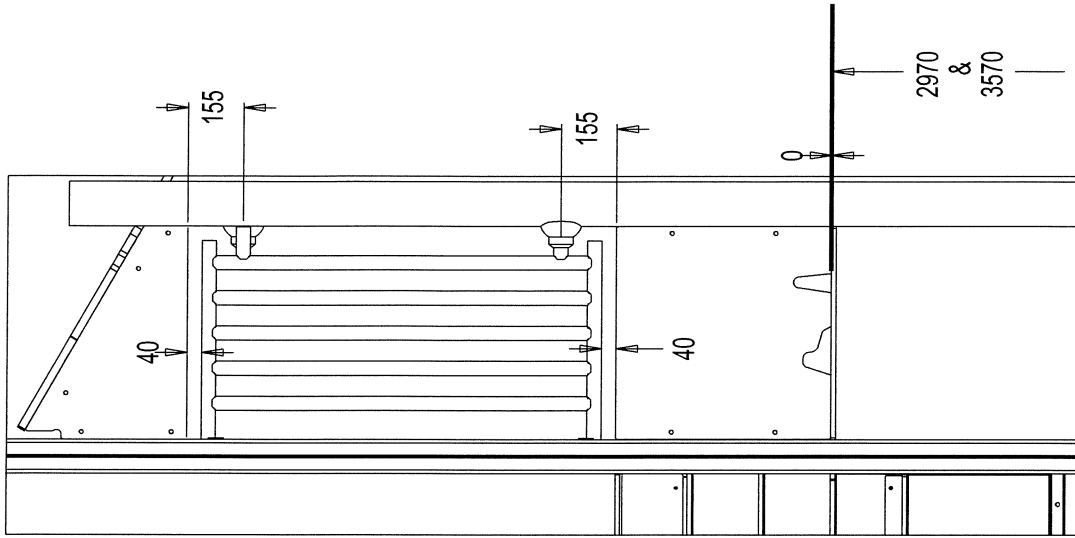
E4668V1
X4

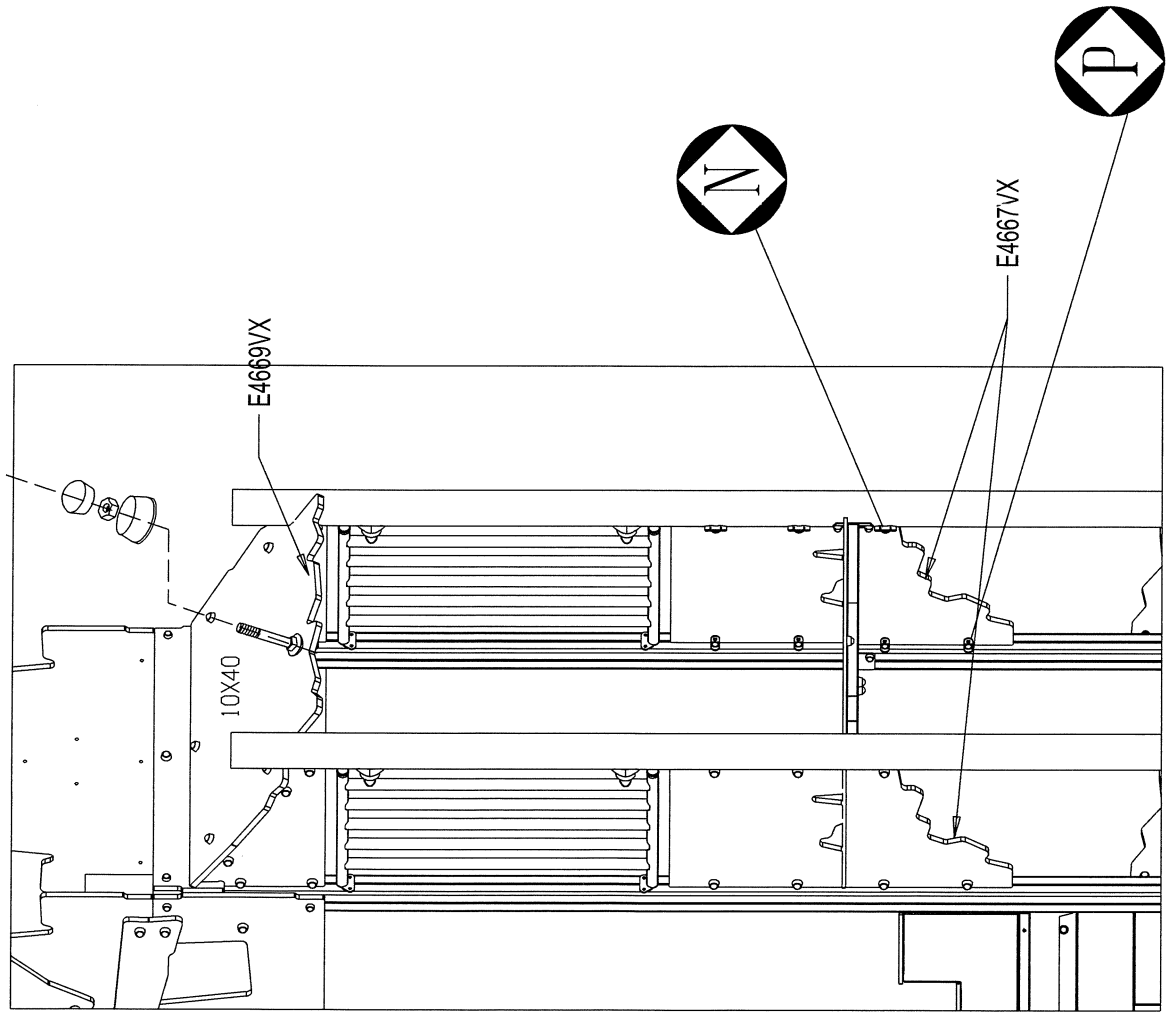
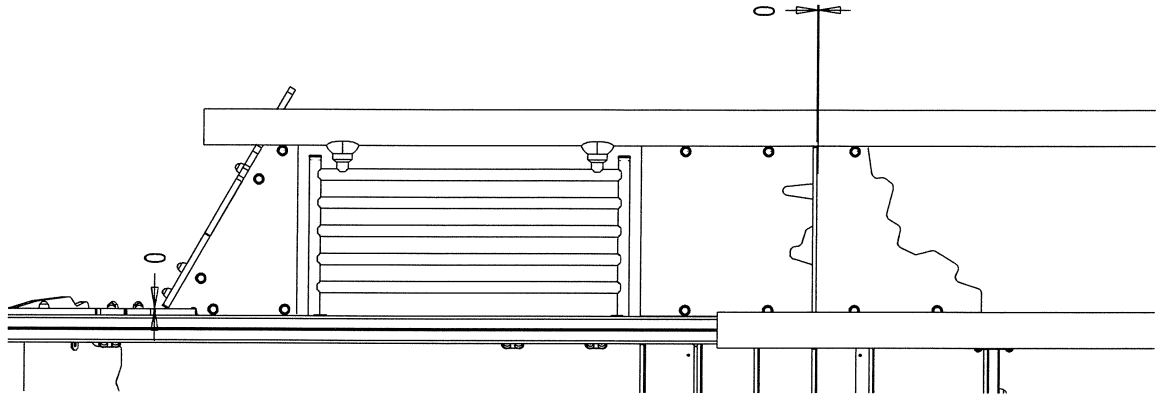


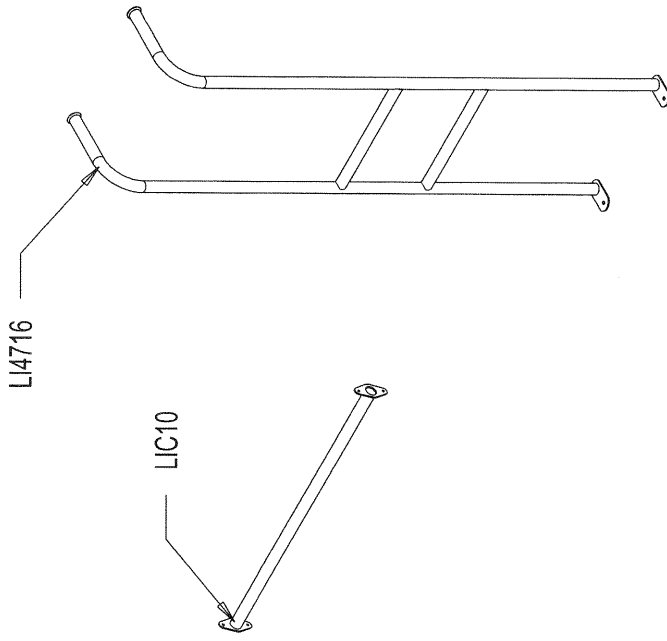
	P25	24
	VTRCC10x40	50
	VBT 7x60	32
	M42	8
	70 mm :P60	1
	70 mm :P13	4
	M10310N	34
	M10440N	82
	VECM10	50
	M8310N	40
	M8440N	40
	VTH6*30A	44
	VTH 6x60 ALU/D	32



	M8310N	8
	M8440N	8
	VTH6*30A	8
	M10310N	8
	M10440N	8
	VEFM10	2
	VTH10x40	4

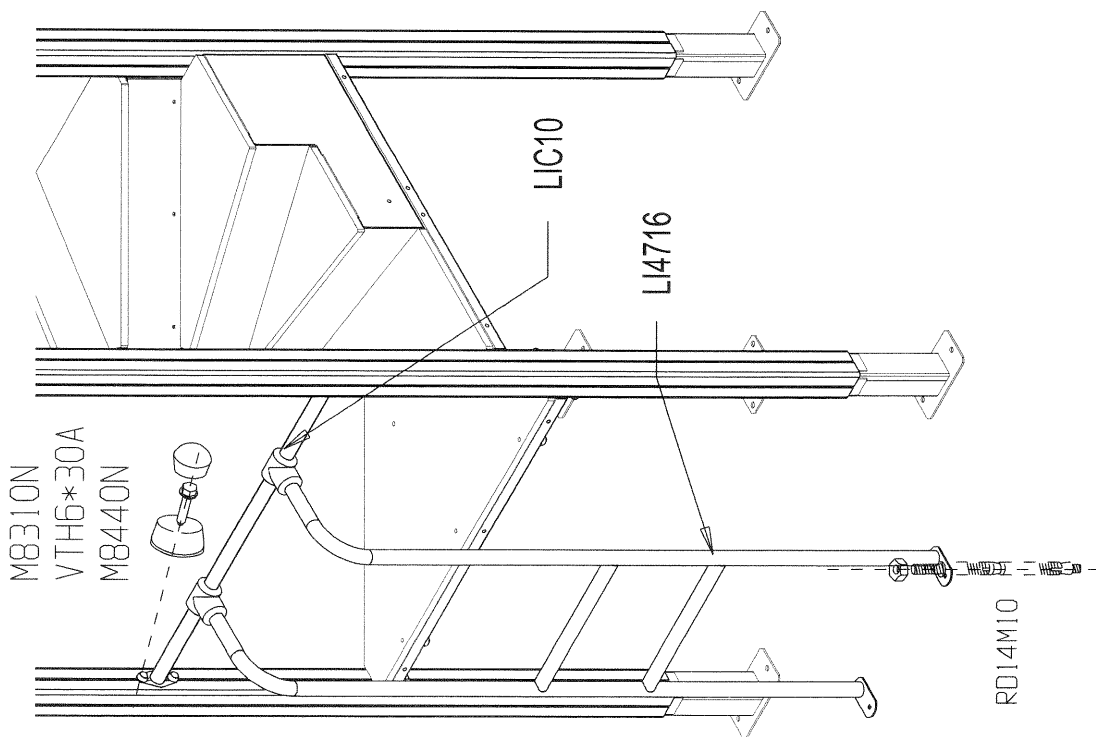
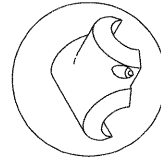


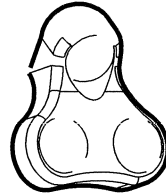
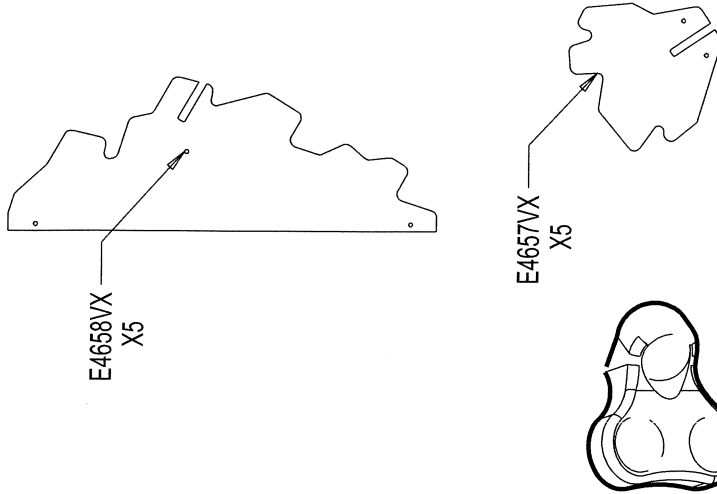




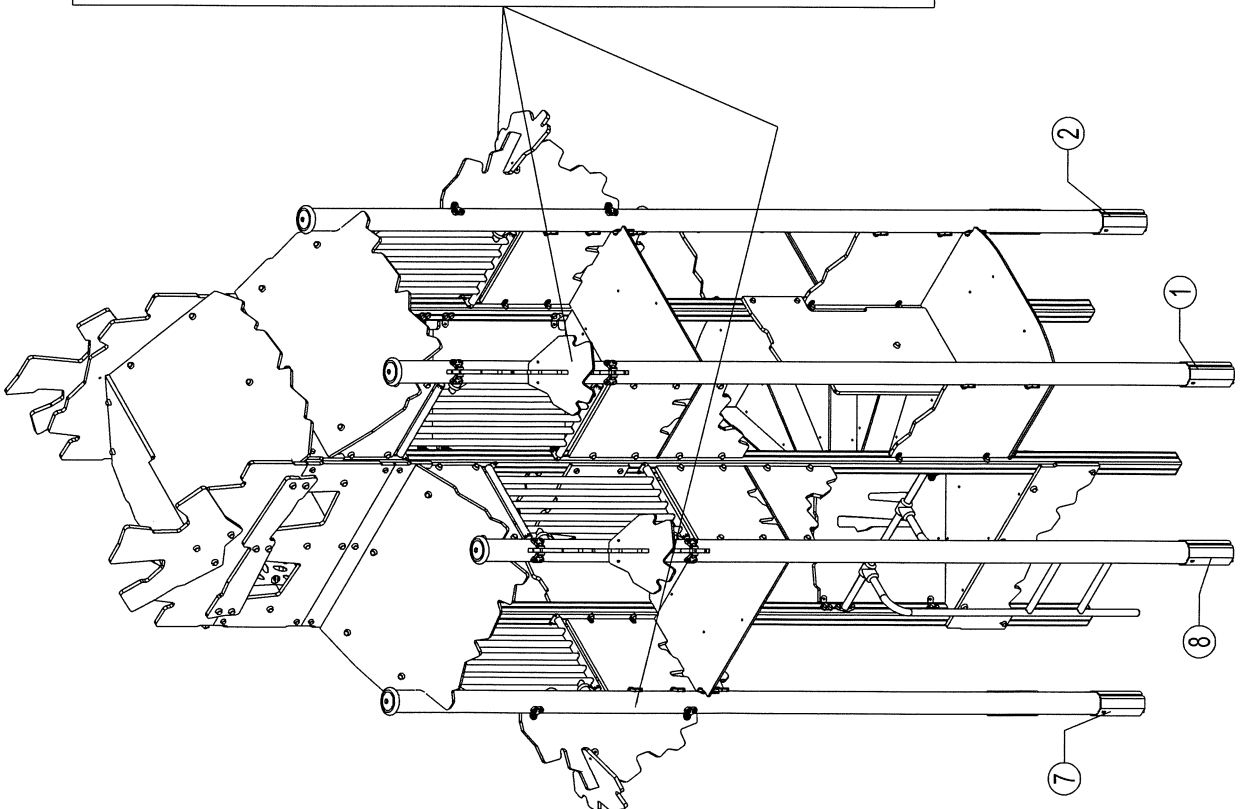
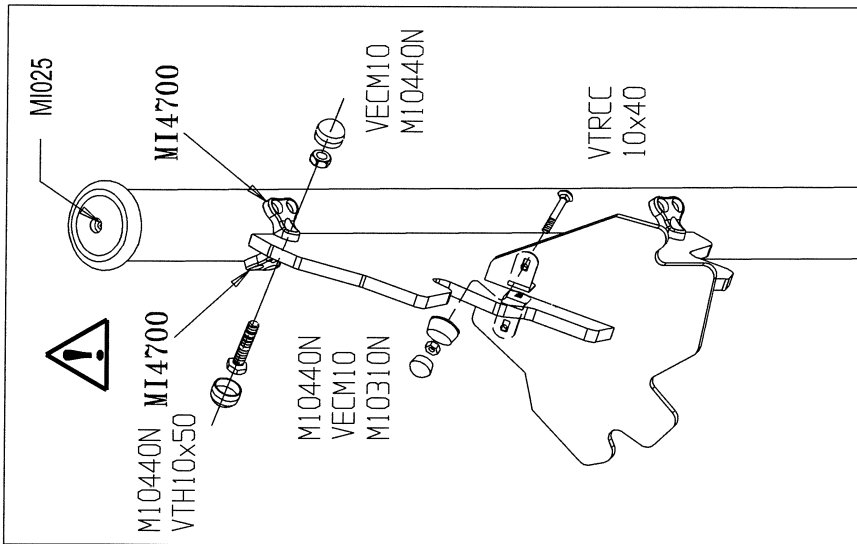
	M8310N	4
	M8440N	4
	VTH6*30A	4
	VCZX 6x25	8
	VEBM6	4
	RD14M10	2

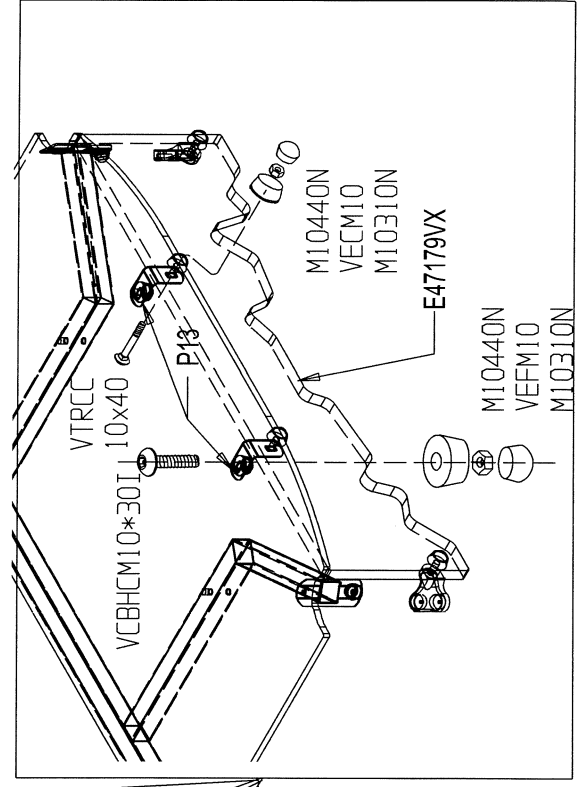
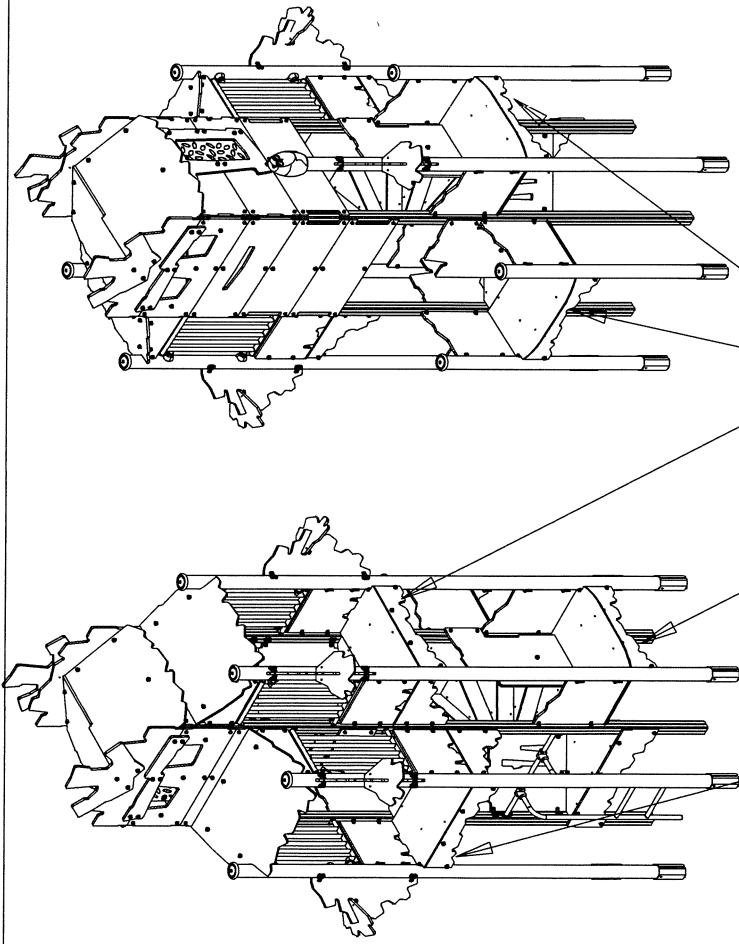
MI2502N x4



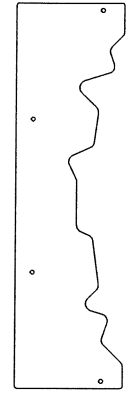


	VTH 10x70	10
	VTRCC 10x40	15
	VBT 7x60	45
	70 mm :P13	10
	M10310N	15
	M10440N	75
	VECM10	25

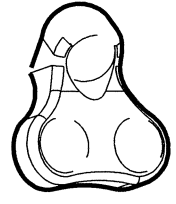




X5

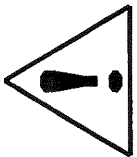


E47179VX x5

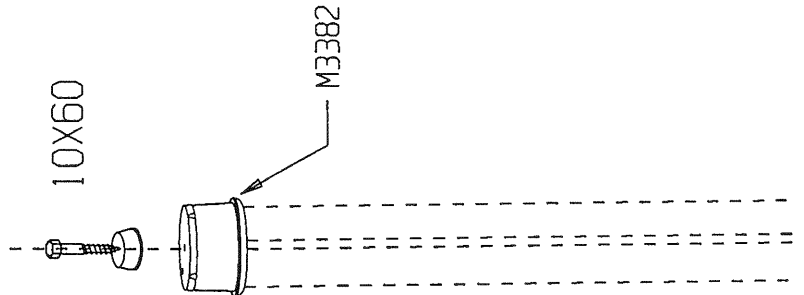


M14700
X10

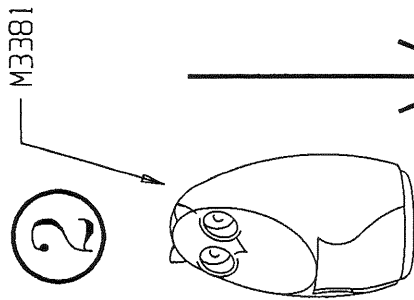
	VEFM10	20
	VCBHCM10*30I	20
	VTRCC10x40	10
	VBT 7x60	20
	70 mm : P13	10
	M10310N	20
	M10440N	40
	VECM10	10



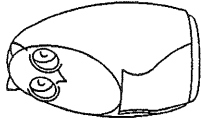
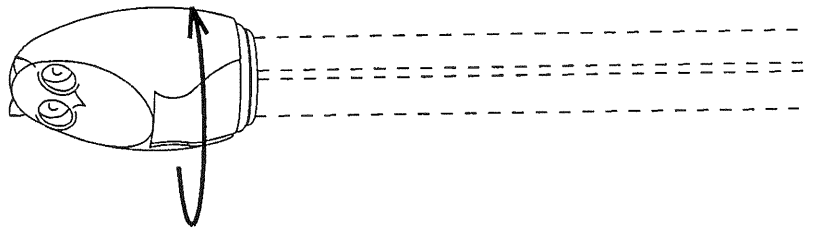
1



2





3

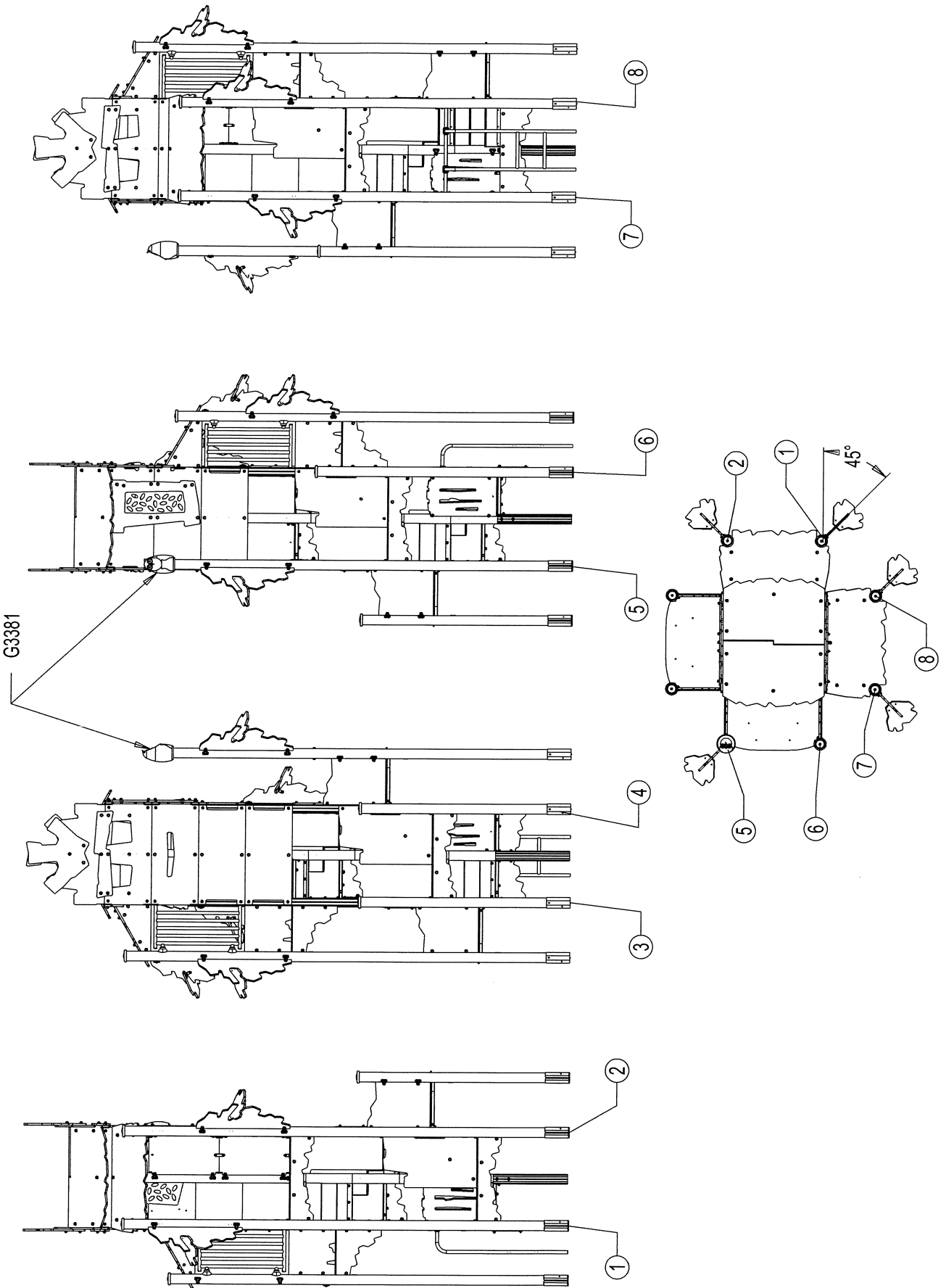


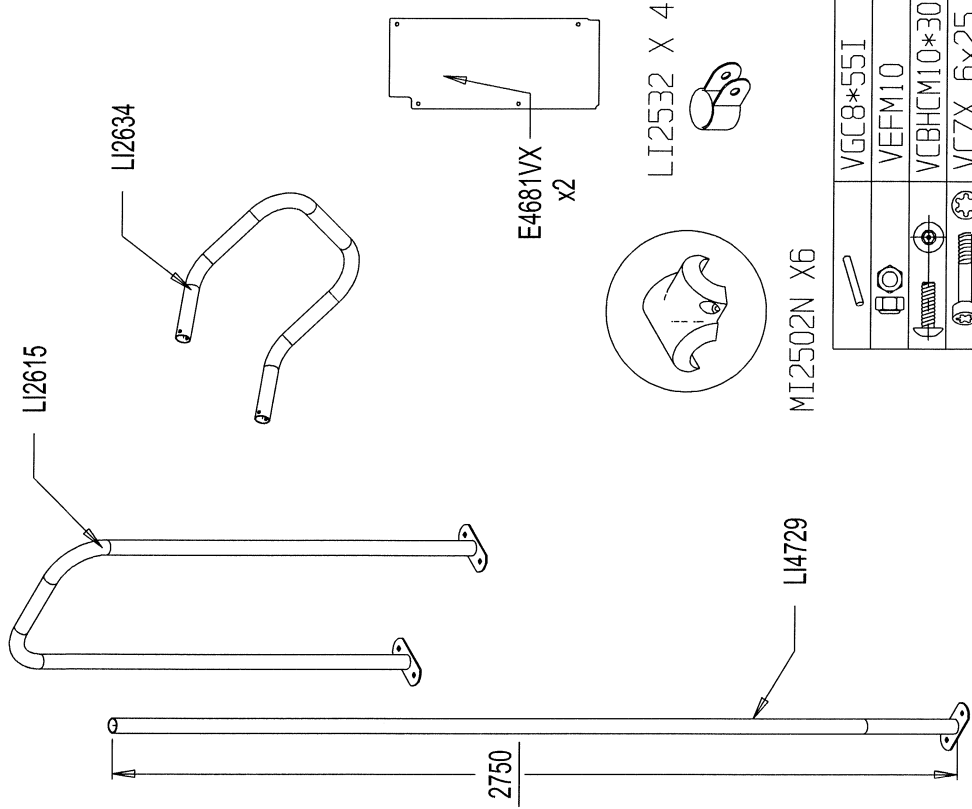
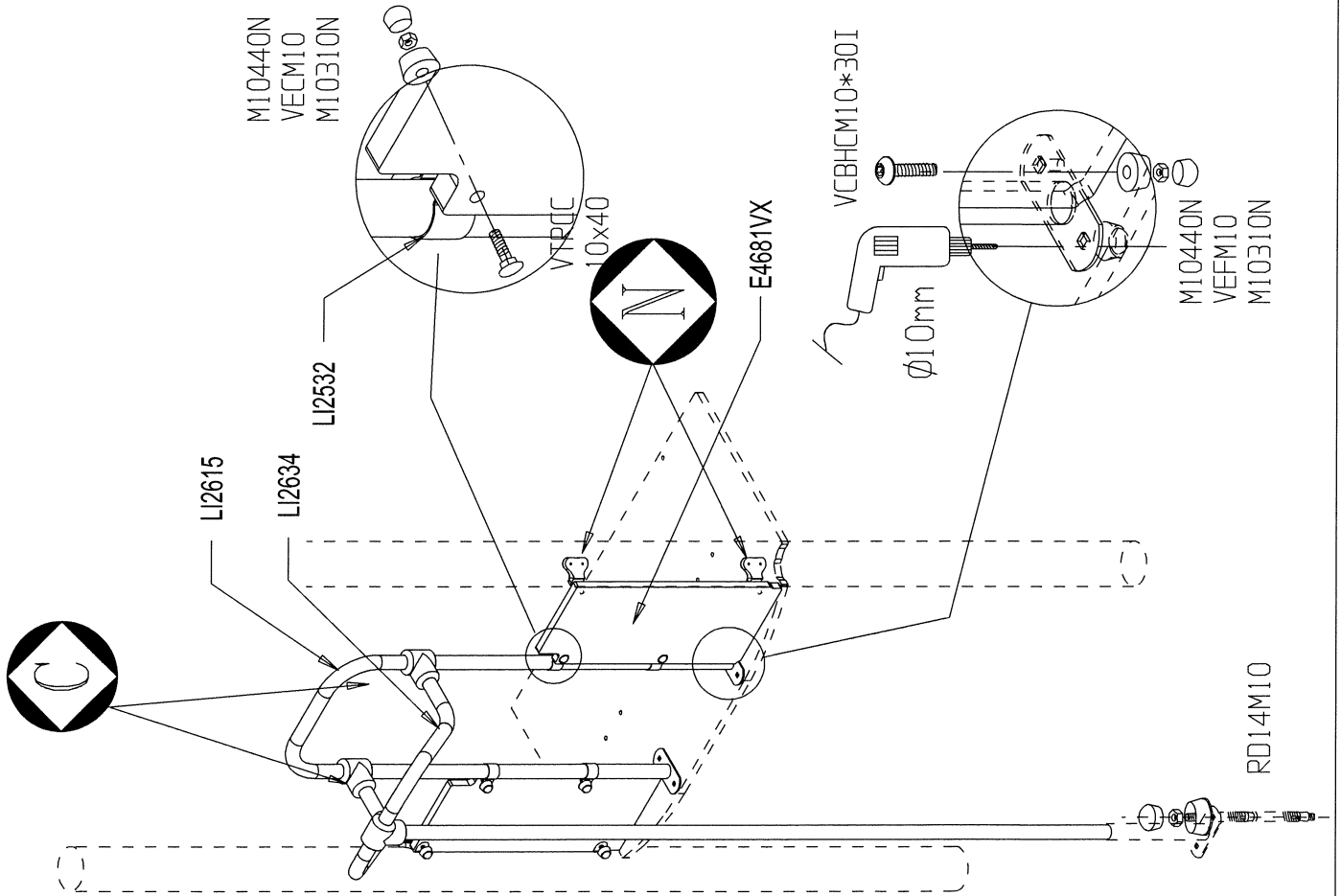
M3381 XI



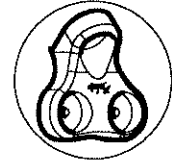
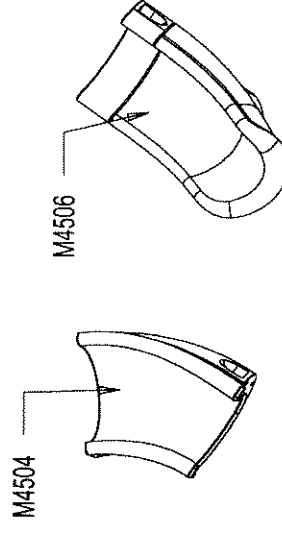
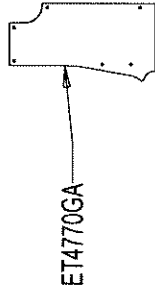
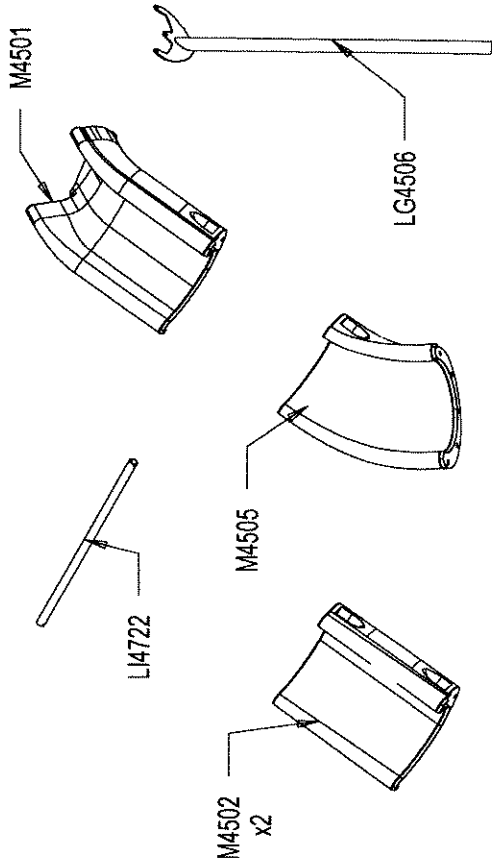
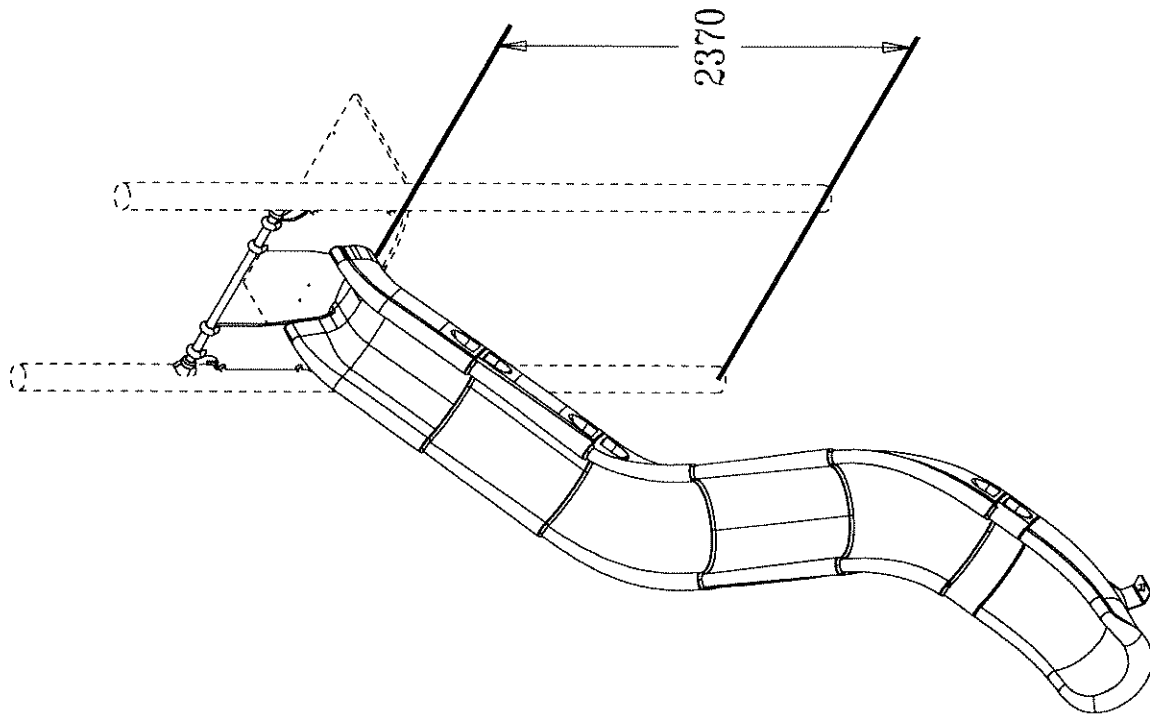
M3382 XI

	VTF 10x60	1
	M10310N	1

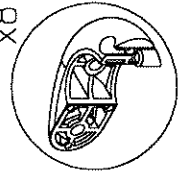




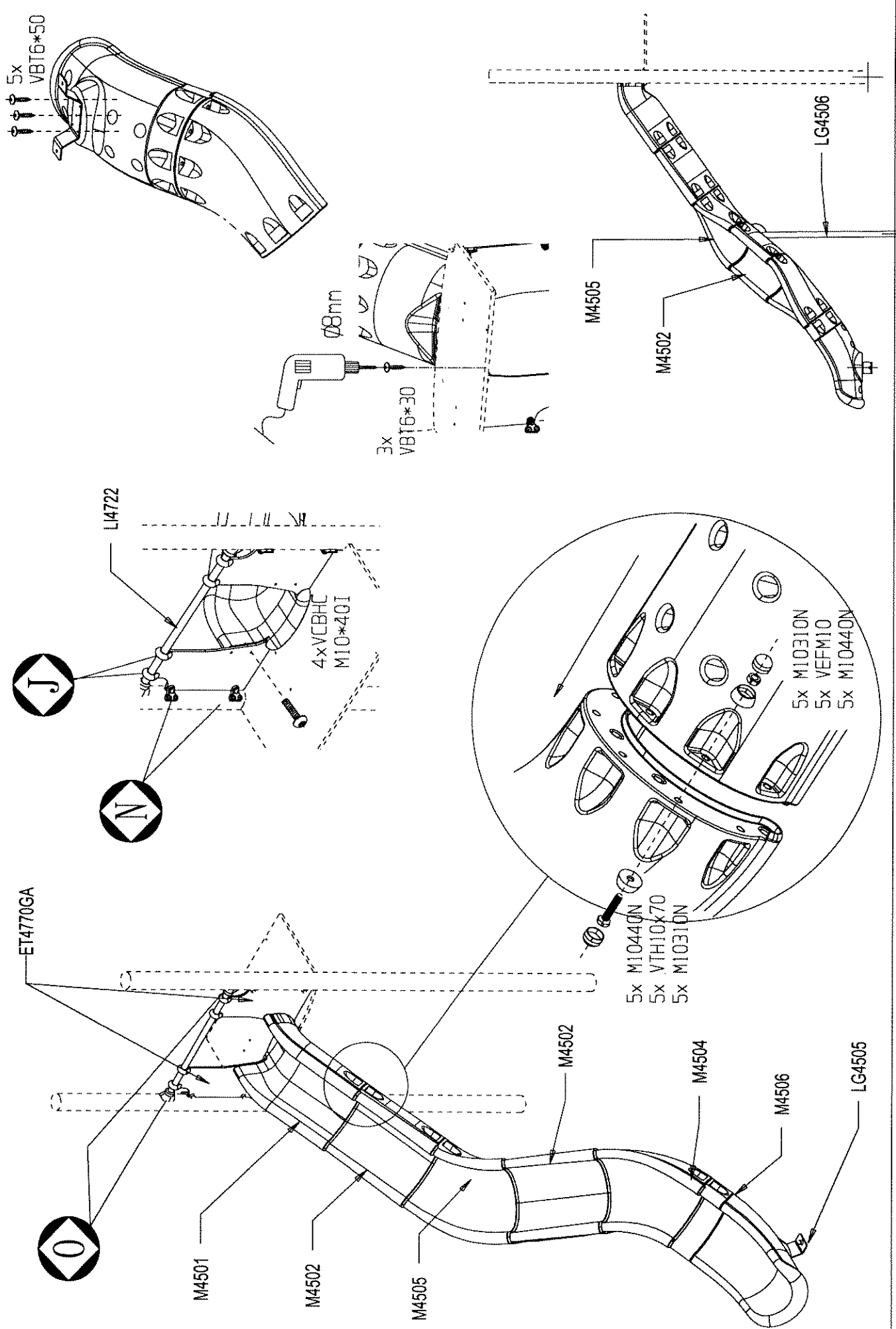
	VGC8*55I	2
	VEFM10	4
	VCBHCM10*30I	4
	VCZX 6x25	12
	VEBM6	12
	VBT 7x60	8
	M10310N	14
	M10440N	22
	VECM10	8
	VTRCC10x40	8
	RD14M10	2

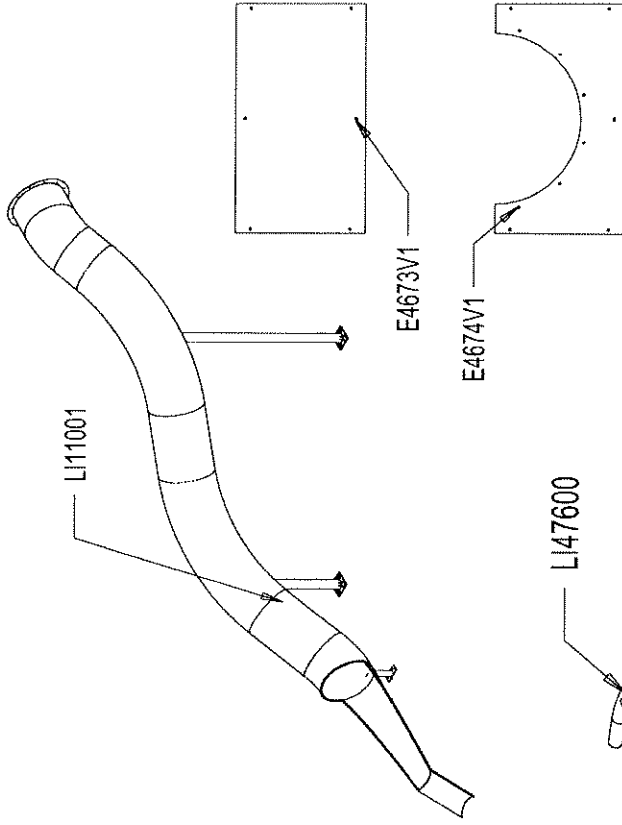
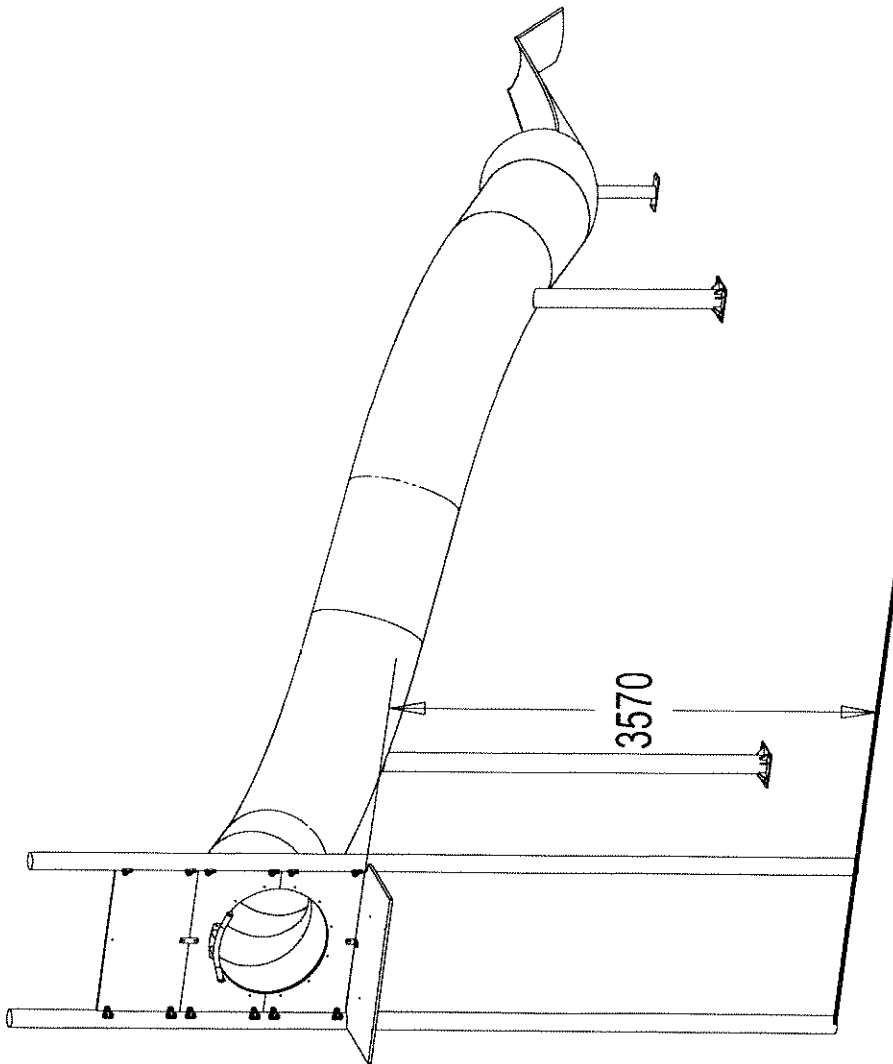


MI4502N x8



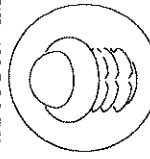
	VTH10*70	25
	VBT 6*30	3
	VBT 6*50	5
	VGC8*55I	2
	VBT7*60	16
	MI3701N	2
	VCBHCMI0*40I	4
	MI0310N	56
	MI0440N	68
	VECM10	4
	VEFM10	25
	VECM8	4
	VBTR8*25	4
	MI4503N	8



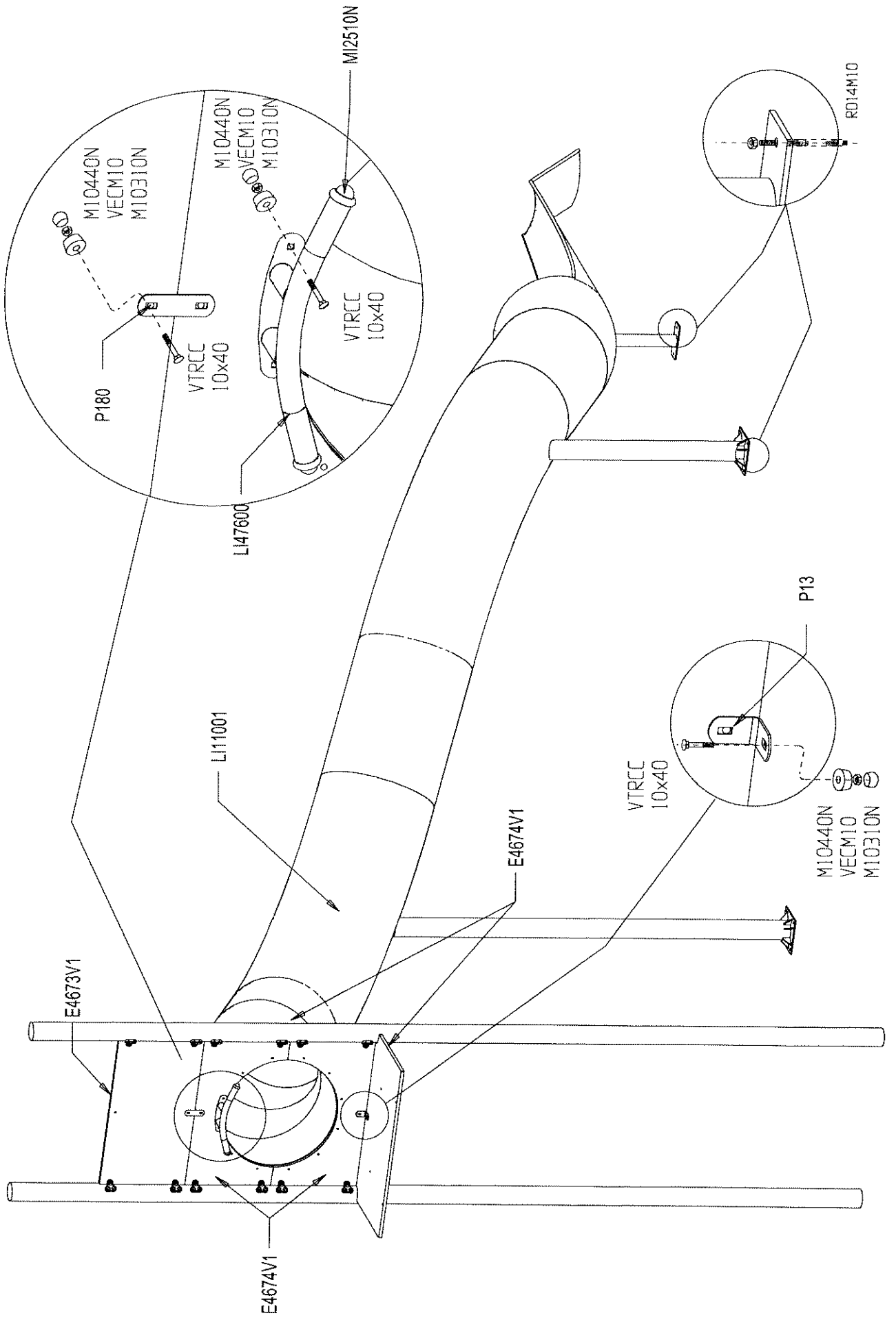


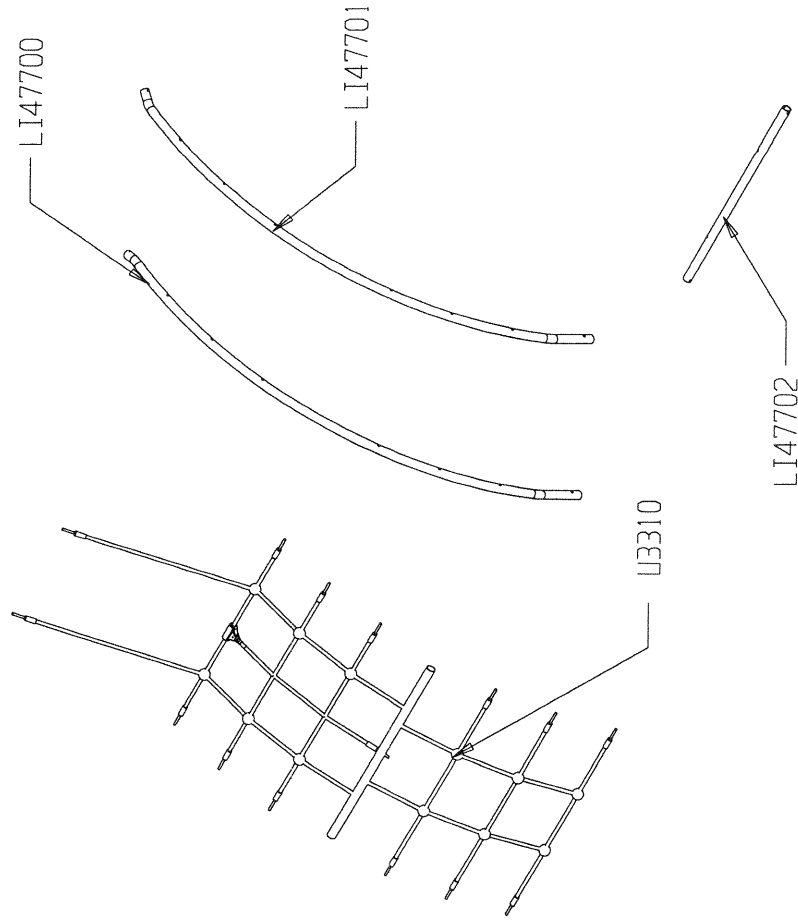
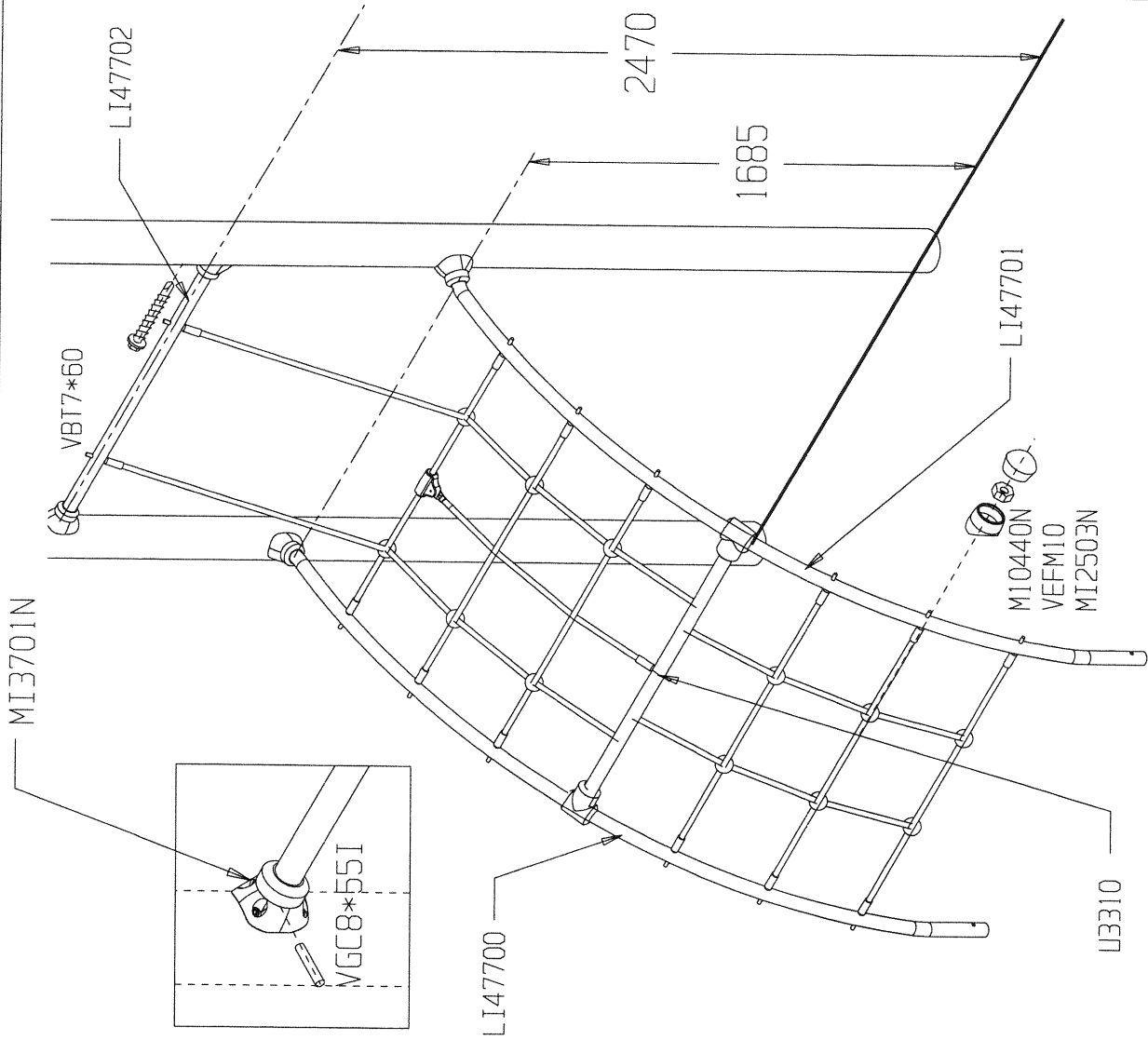
	70 mm : P13	1
	180° : P180	1
	VTRCC10x40	24
	VBT 7x60	24
	M10310N	12
	M10440N	48
	VECM10	24
	RD14M10	13

M12510N x2

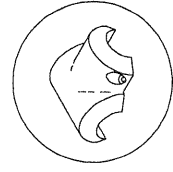


M14700 x12

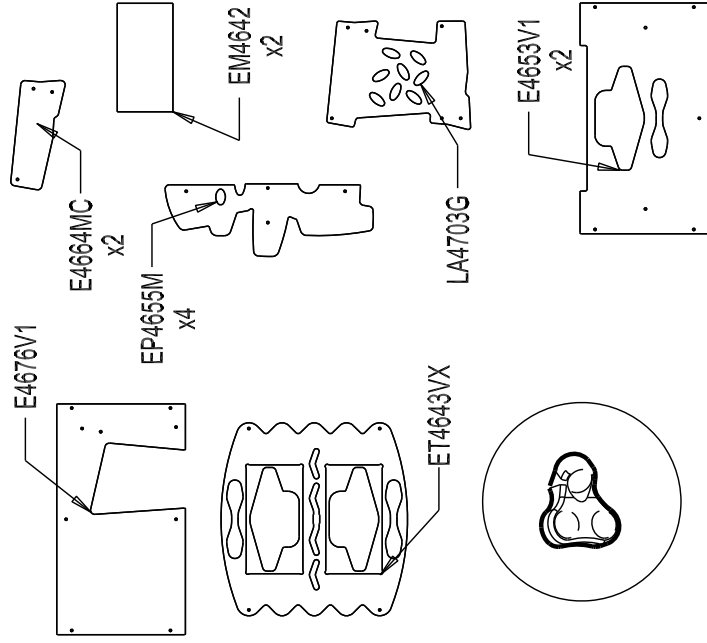
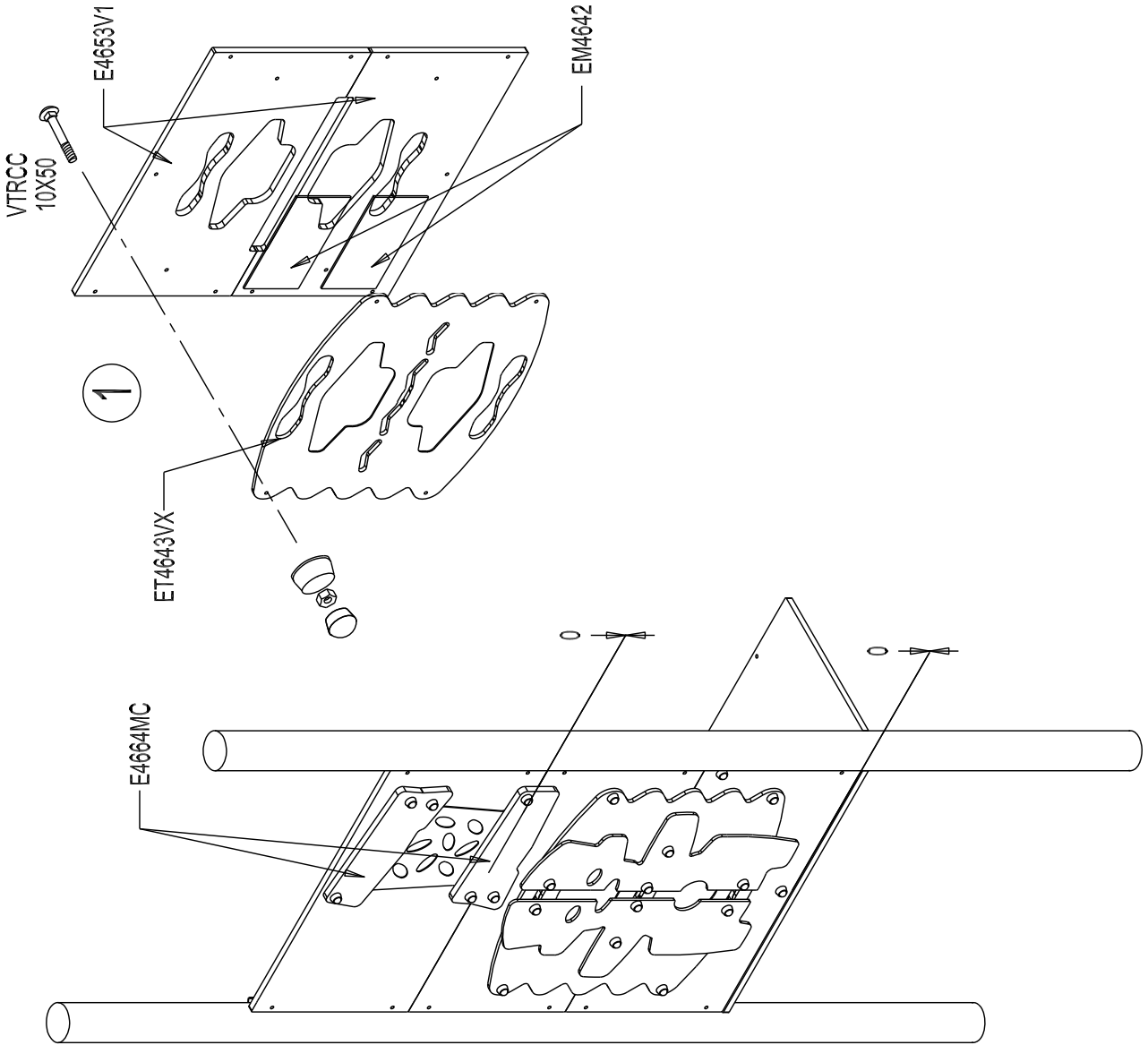




	VEFM10	14
	MI2503N	14
	M10440N	14
	VCZX 6x25	8
	VEBM6	8
	VGC8*55I	4
	VBT7*60	16
	MI3701N	4



MI2502N X 4



	MLI2603	8
	VEFM10	8
	VTRCC10x60	6
	VTH 10x80	8
	70 mm	1
	180° : P180	1
	90° : P13	1
	VTRCC10x40	14
	VBT 7x60	24
	M10310N	28
	M10440N	52
	VECM10	24
	VTRCC10x50	4

