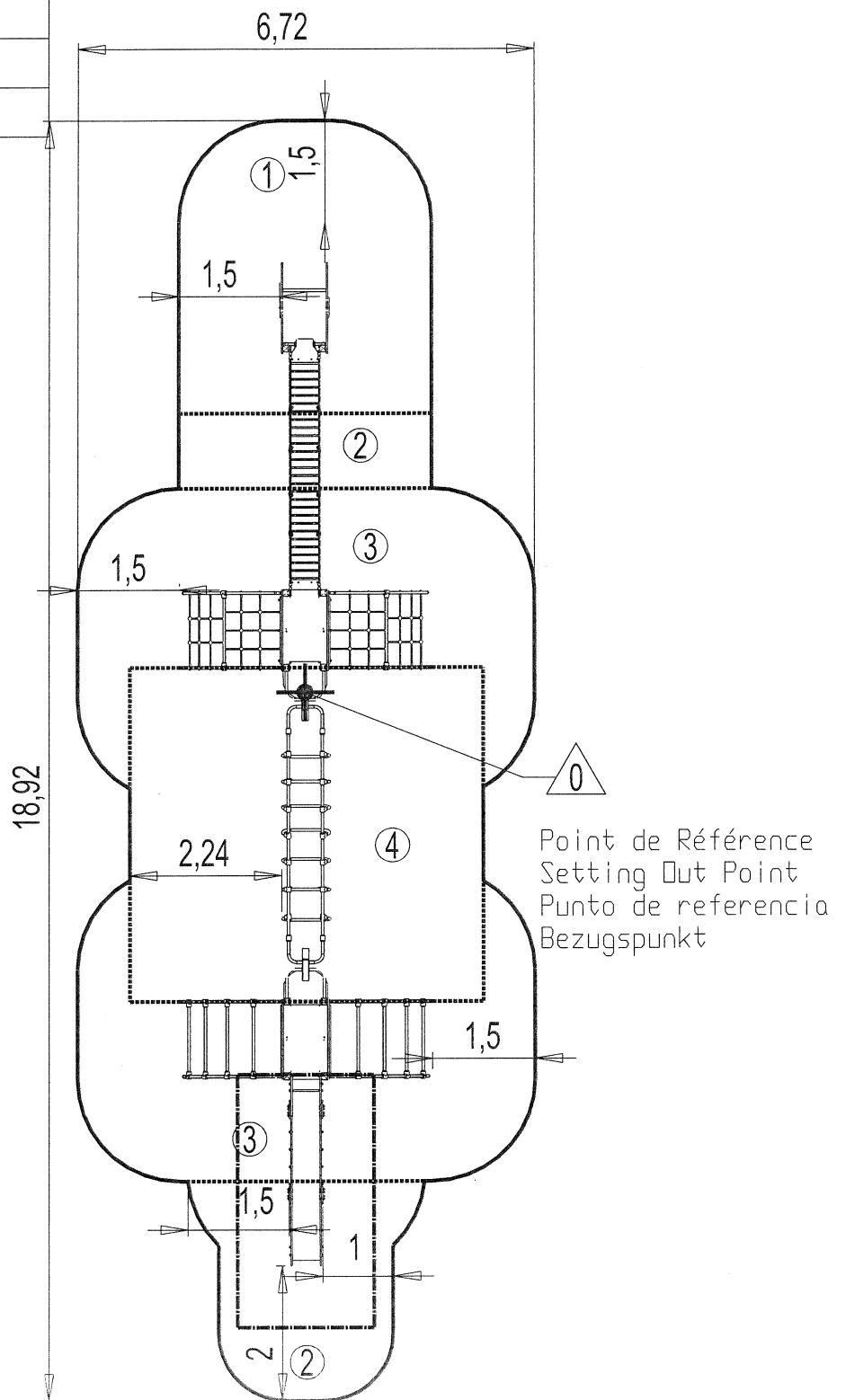
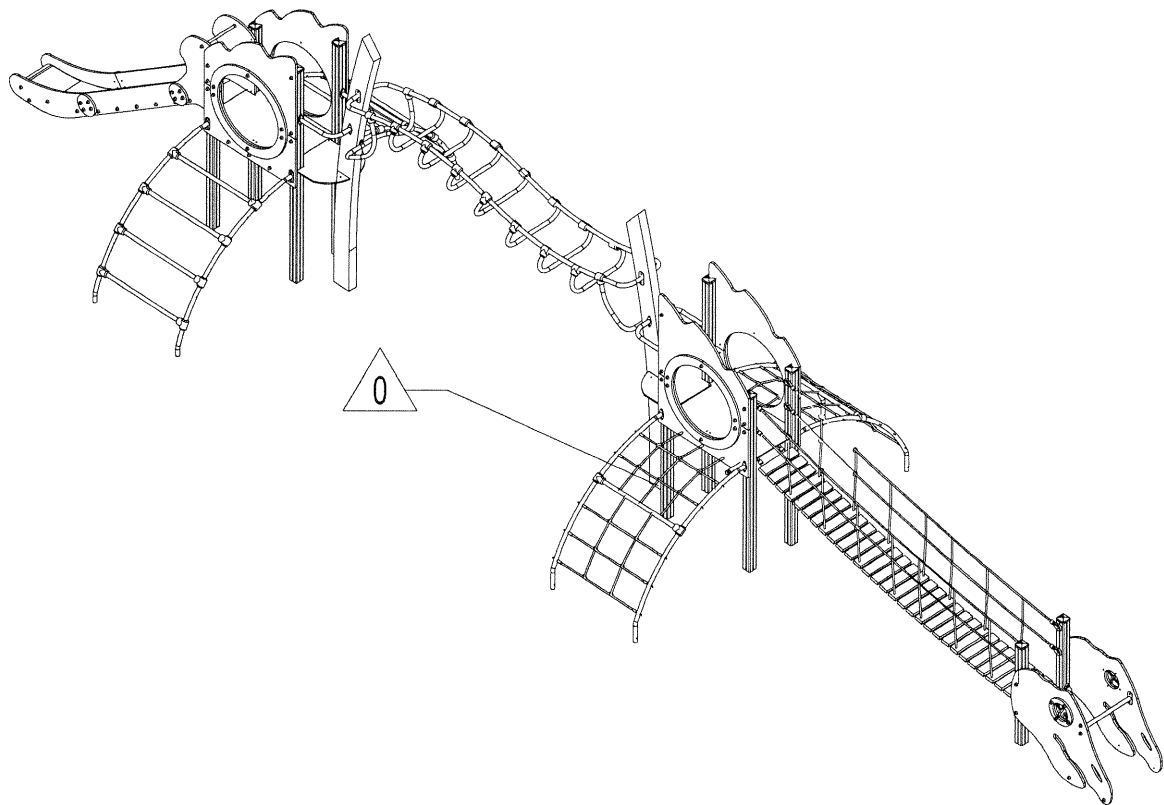


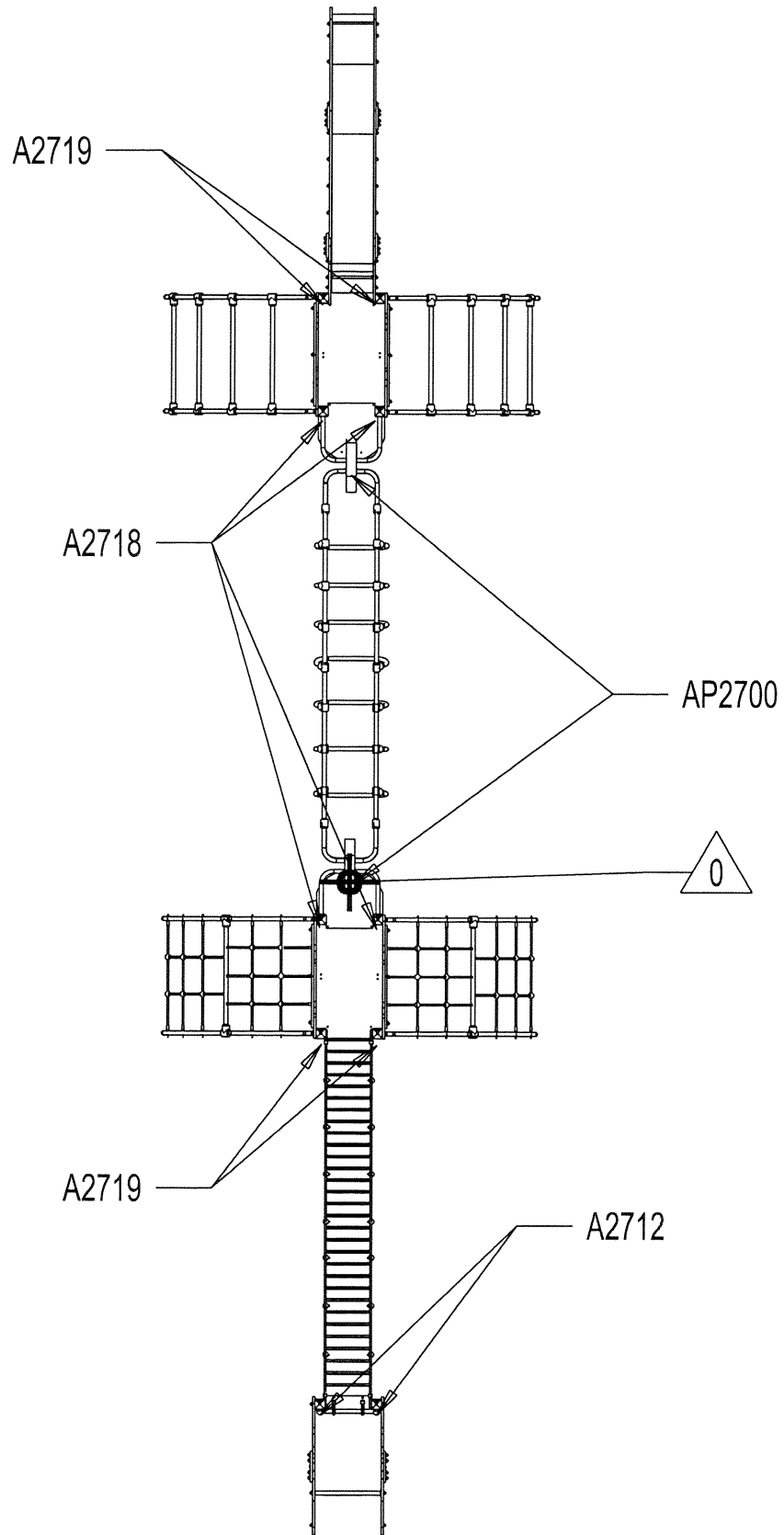
N°		M ²
①	<0.6 m	15.5 m ²
②	1 m	13 m ²
③	1.37 m	38 m ²
④	2.6 m	26 m ²

— Zone d'Impact
Impact Area
Area de Impacto
Fallraum

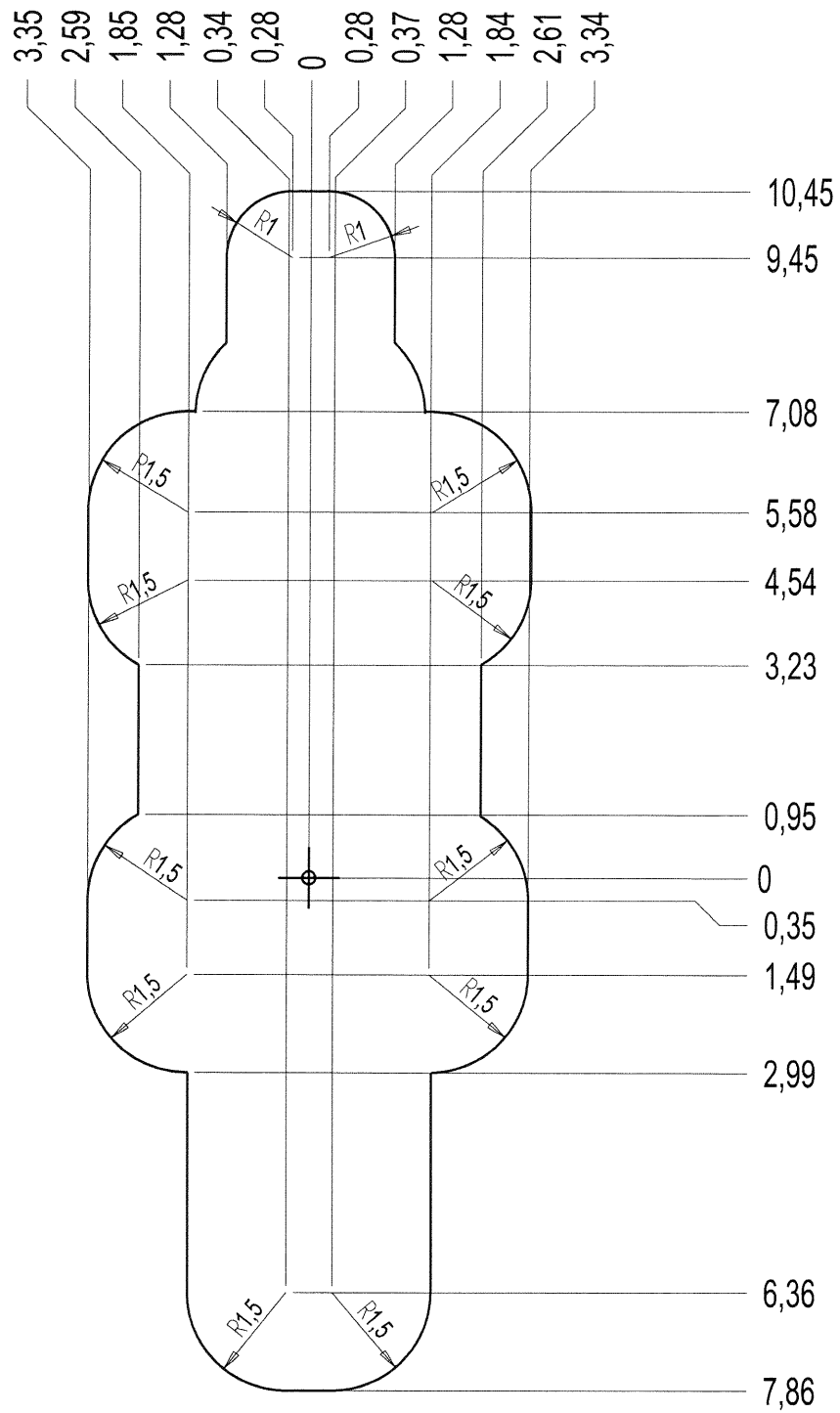
- - - Espace libre
Free Space
Espacio Libre
Freiraum





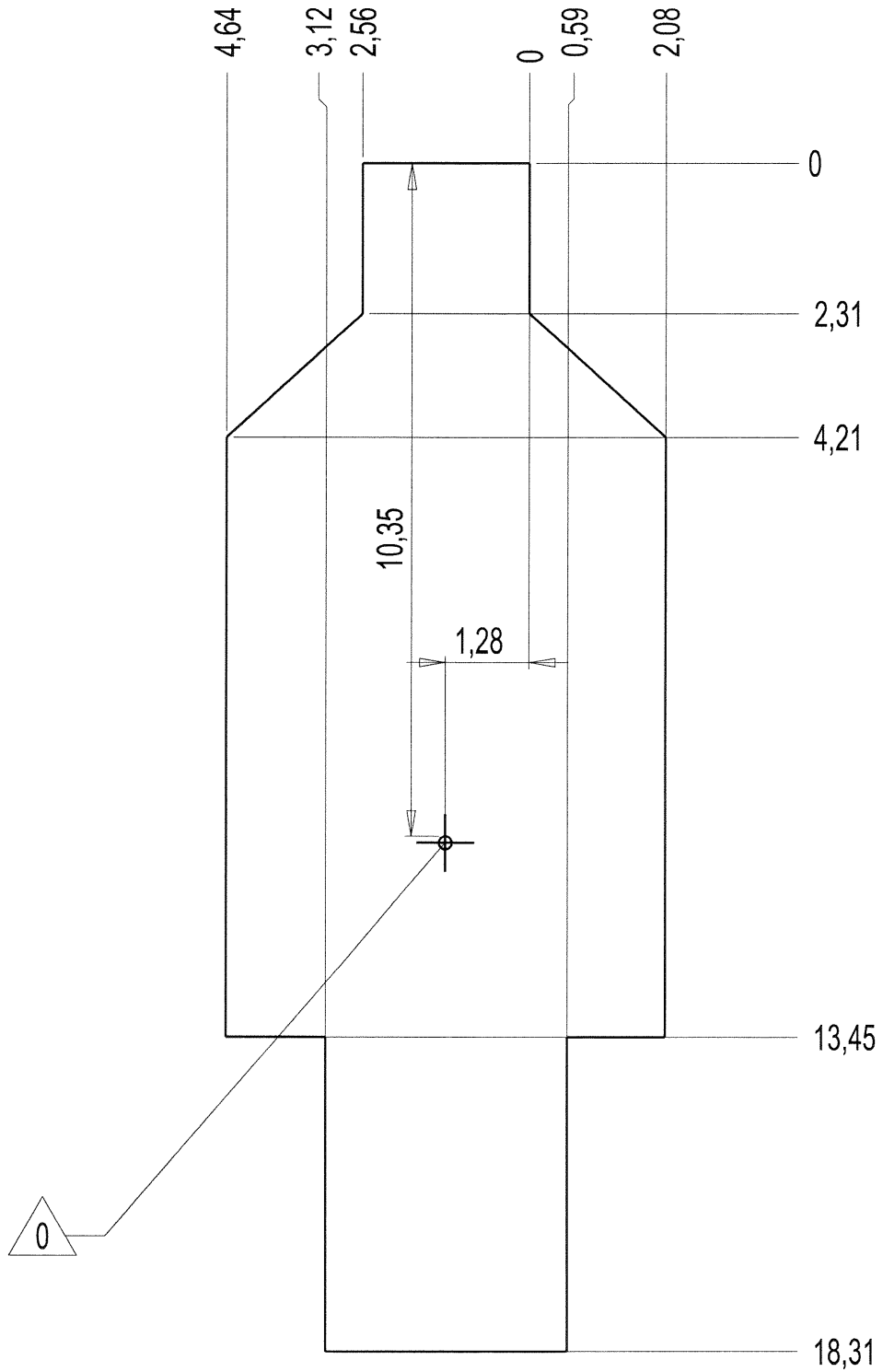


— Zone d'Impact **88.5 m²**
 Impact Area
 Area de Impacto
 Fallraum

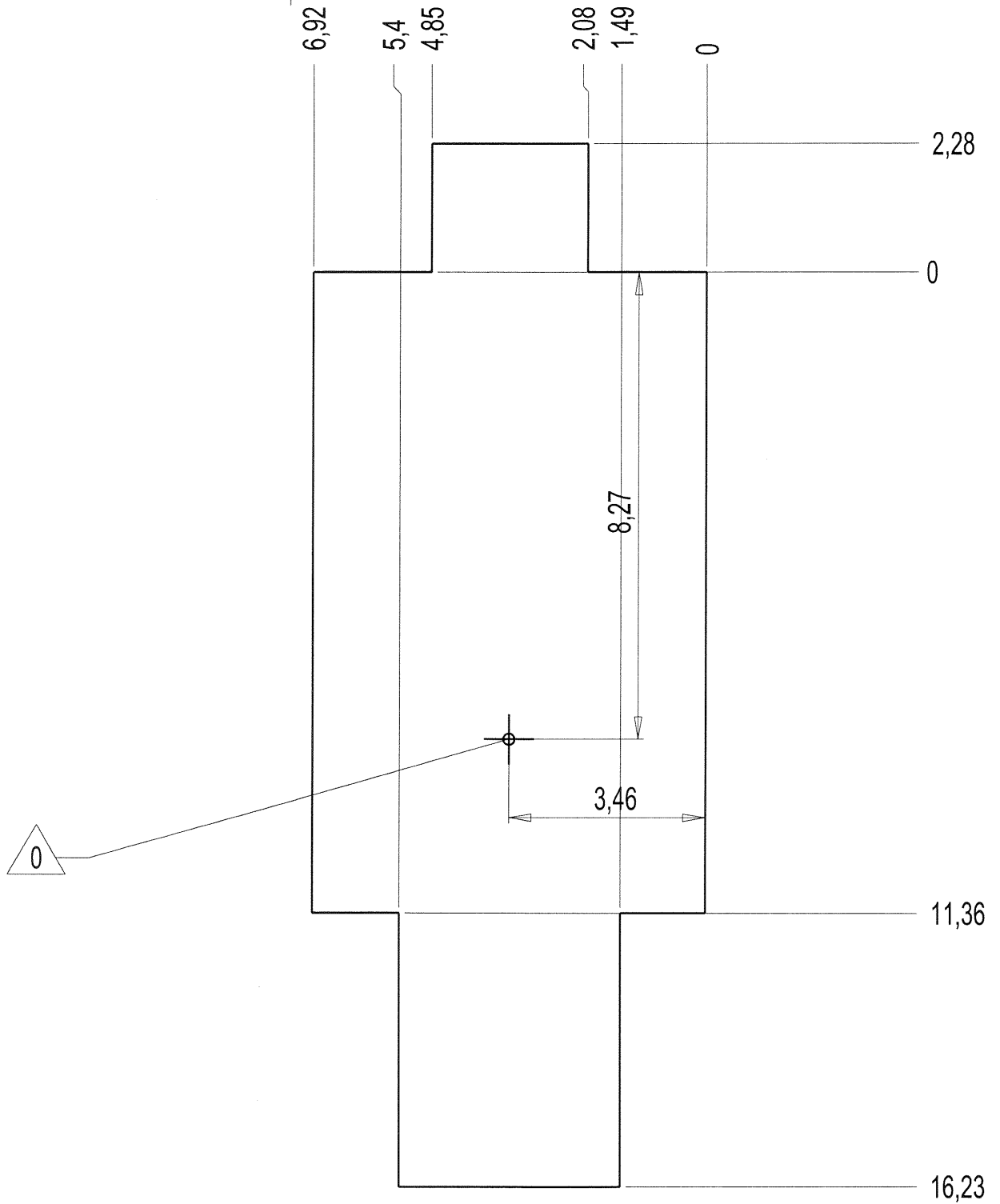


— Dalle béton
Concrete pad
Solera de Hormigón
Beton Bodenplatte

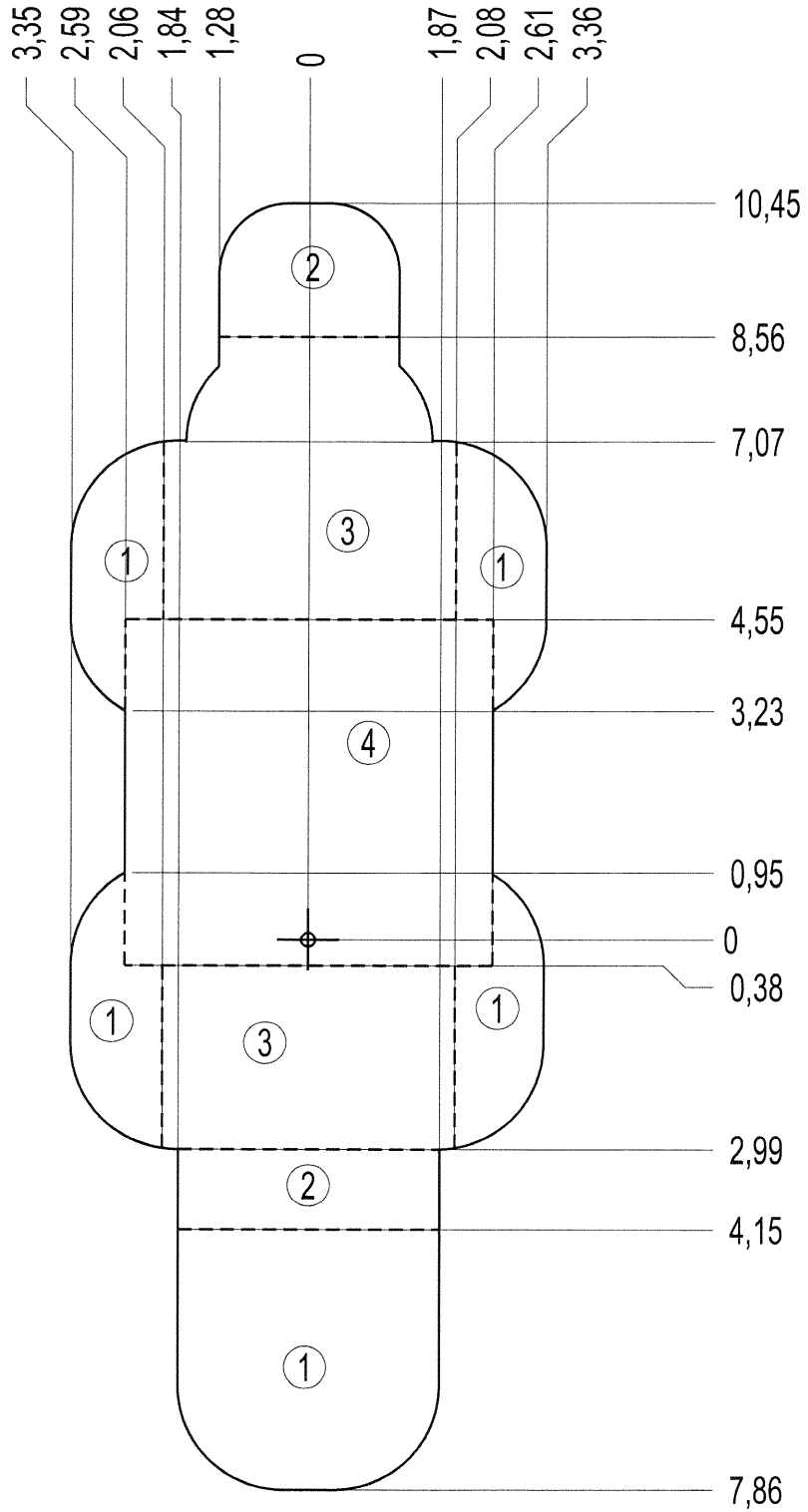
48 m
95 m²



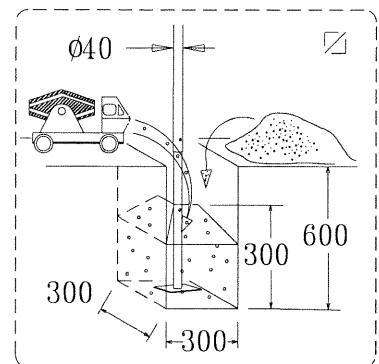
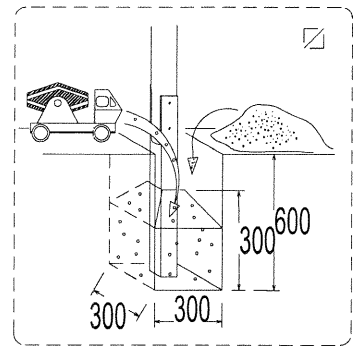
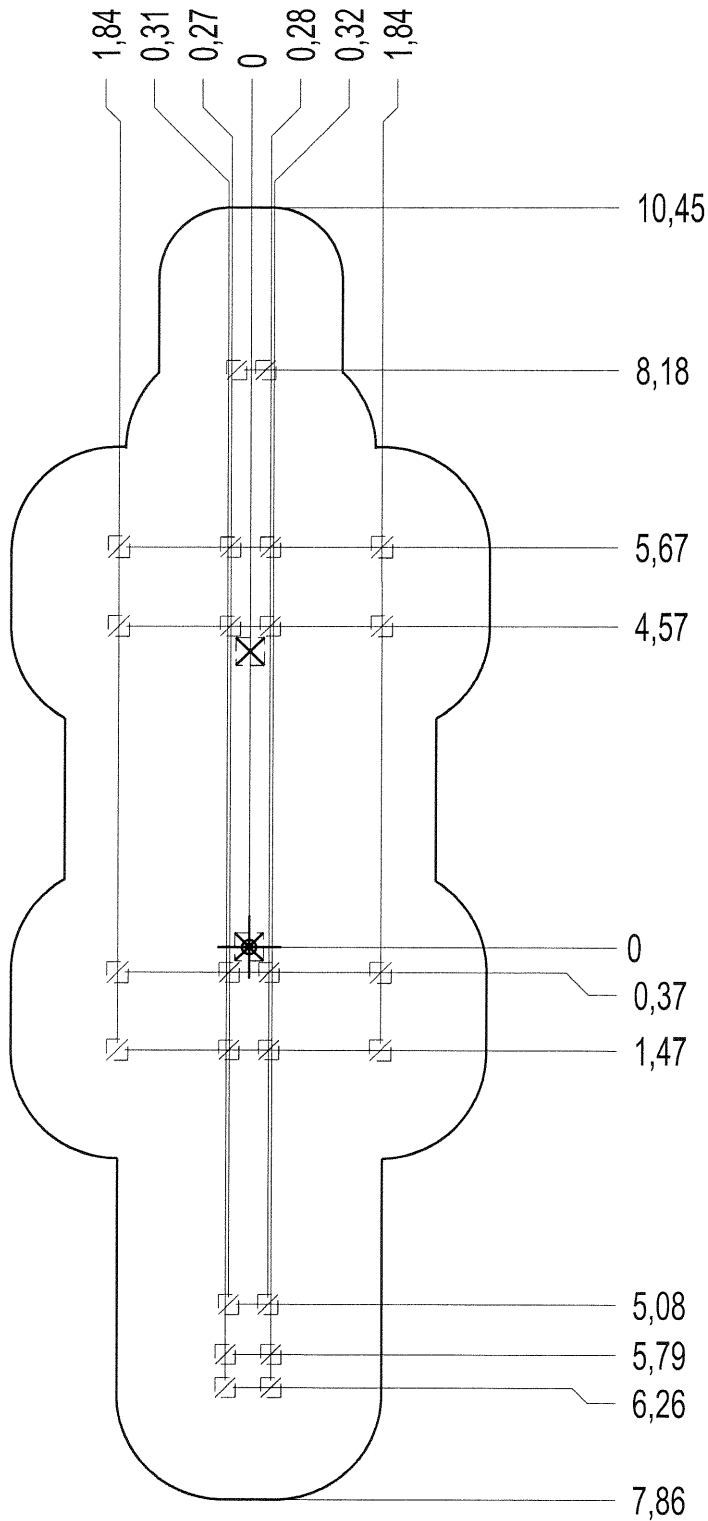
- Sol fluent
- Loose particle material 51 m
- Arenero 104 m²
- Loses Bodenmaterial



— Sol souple **88.5 m²**
 Wetpour
 Caucho Continuo
 Synthetischer Fallschutz



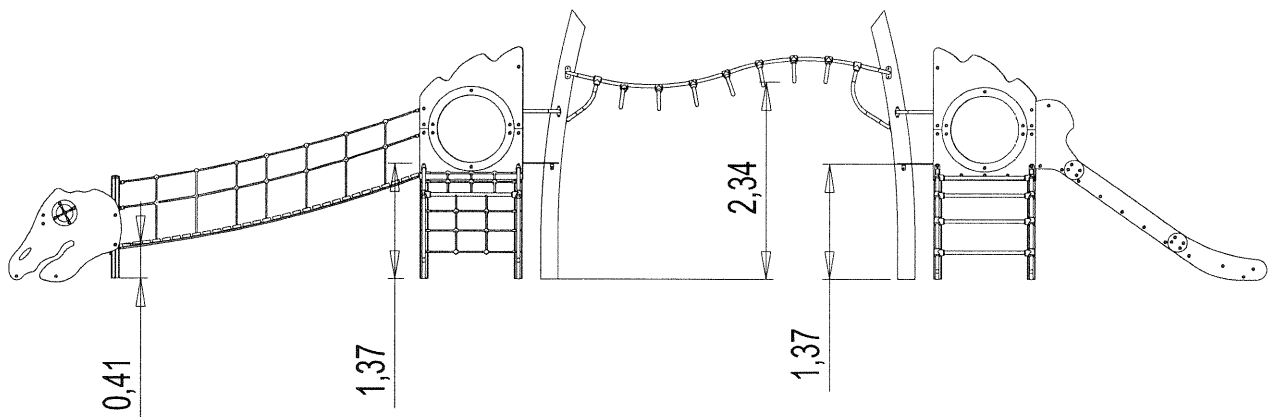
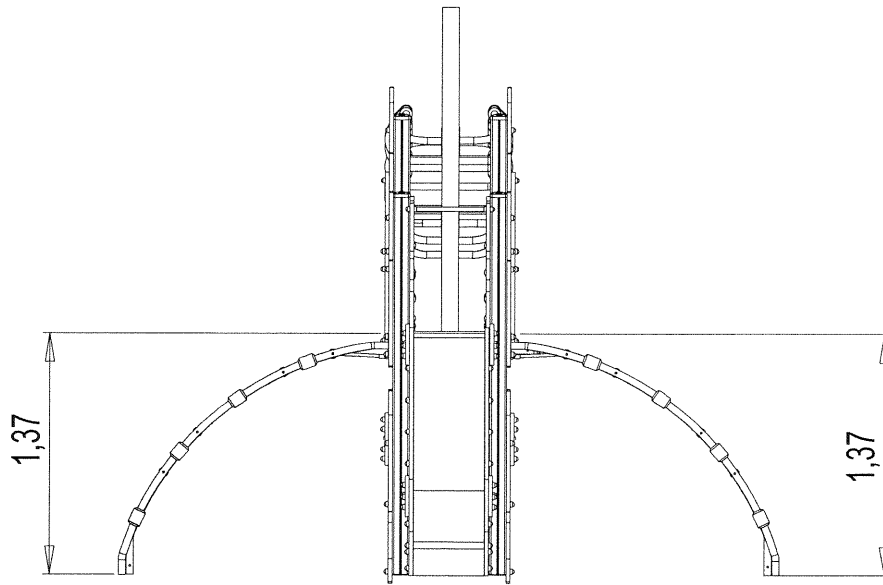
Implantation
 Footing plan
 Implantación
 Fundamentplan



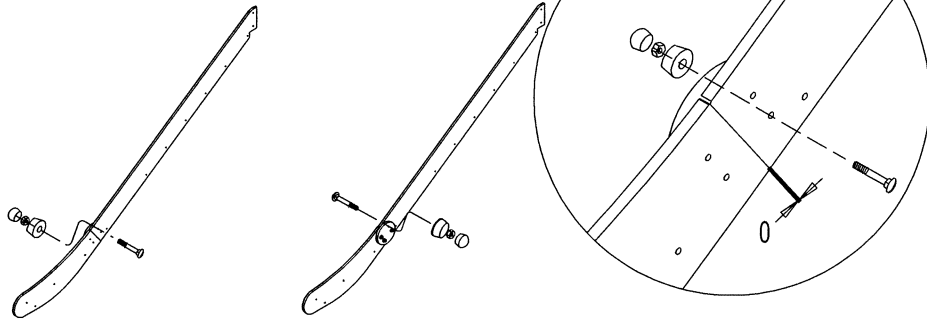
 x2	 25H	 0.75m ³
--------	---------	------------------------

J2770

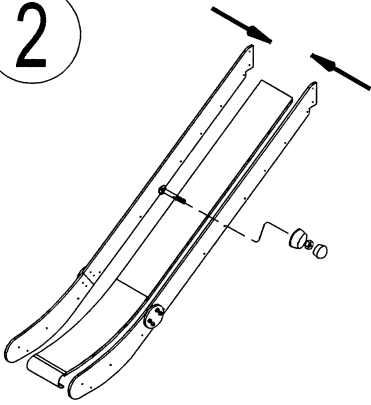
Proludic



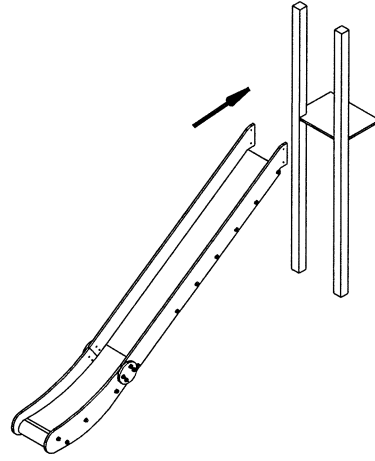
1



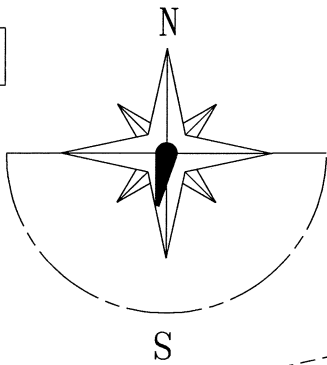
2



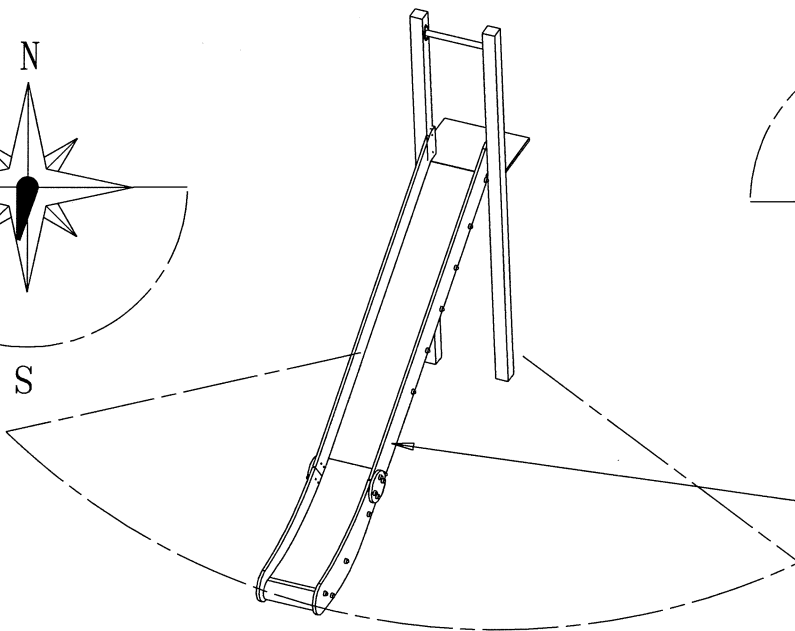
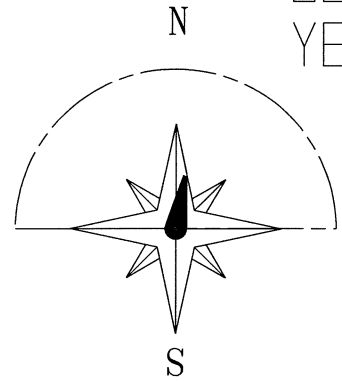
3



NON
NO



OUI
YES

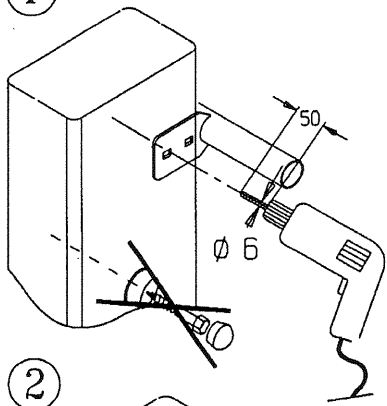


STOBG

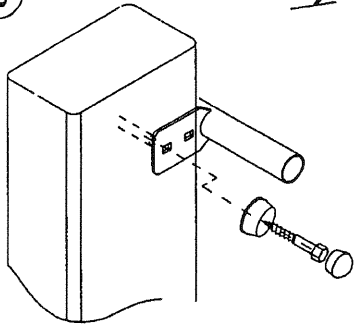
FR

Il est recommandé de ne pas orienter la glissière Sud / Sud Ouest

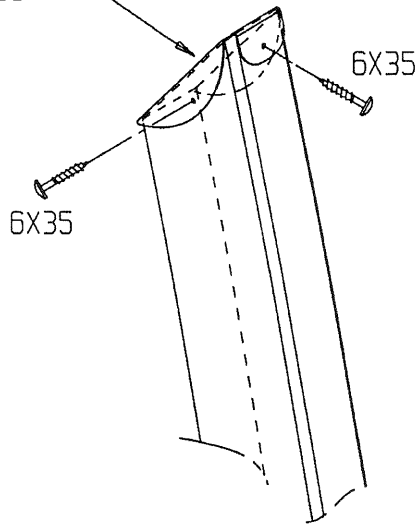
①



②

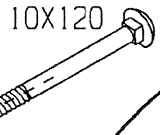
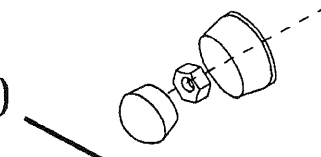


LAP2703N



	VTRCC10x120	3
	M10310	3
	M10440	3
	VECM10	3
	VBT 6x35	3

AP2700
AP2701
AP2702
AP2704



200 mini

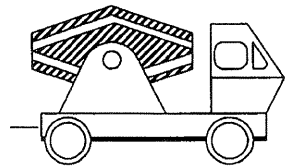
400 mini

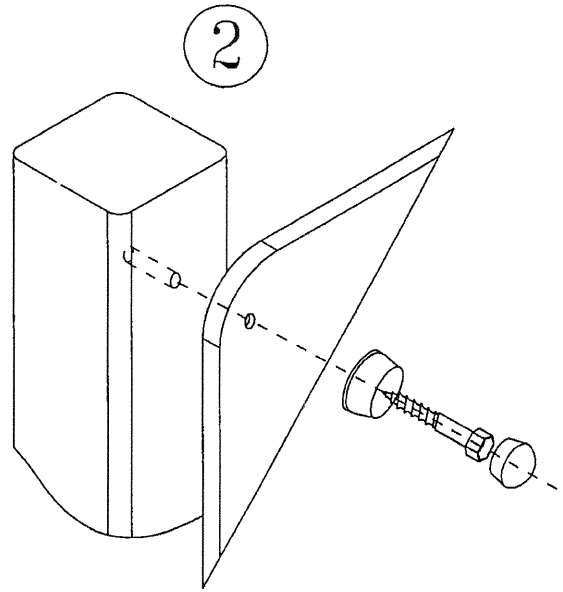
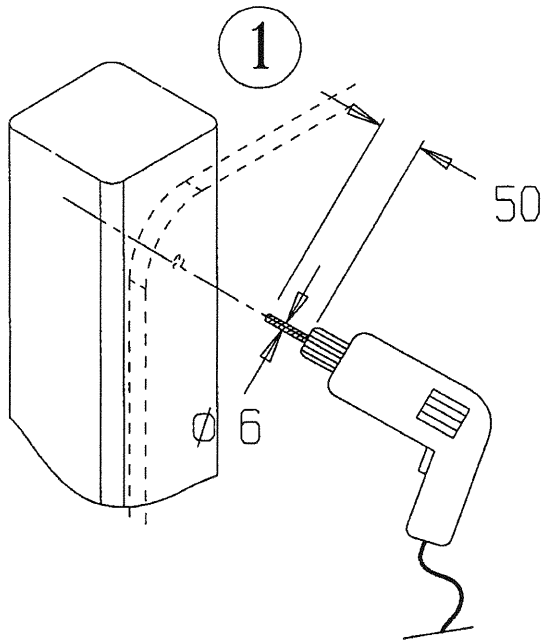
600

200

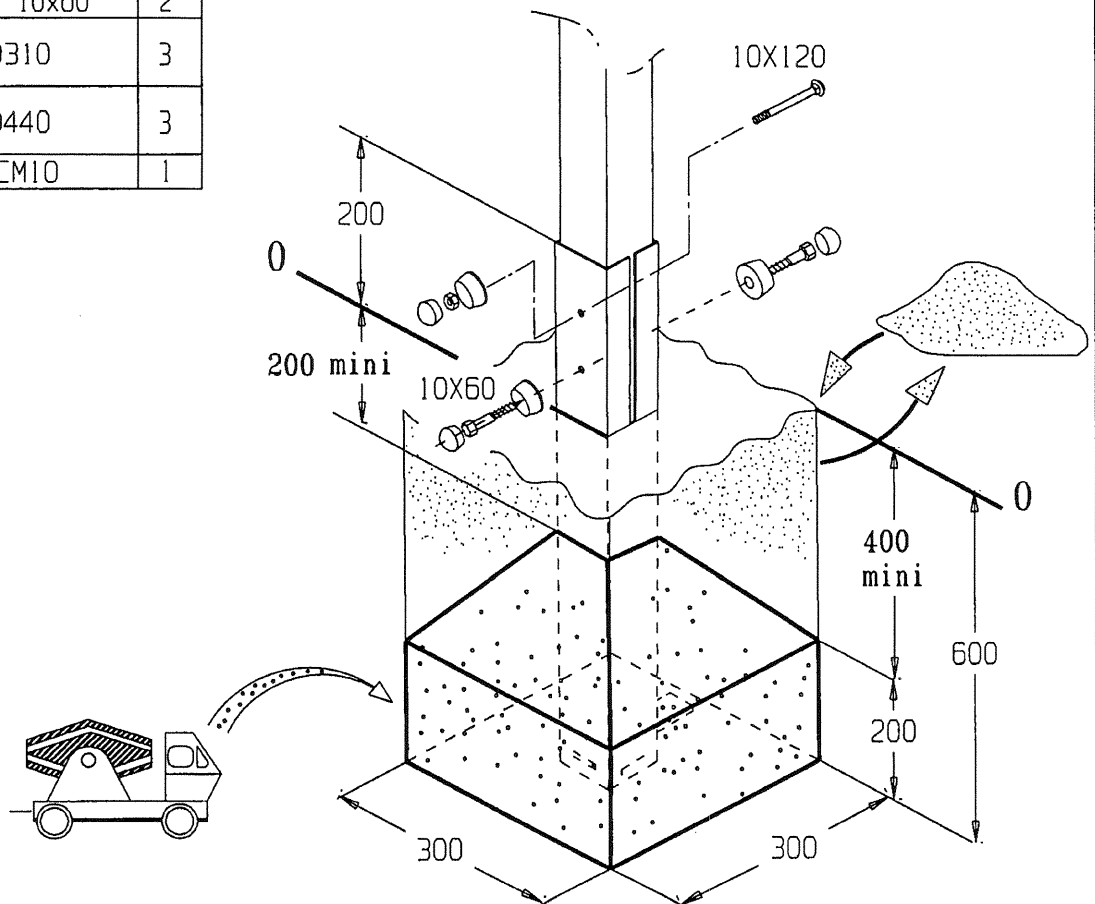
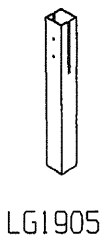
400

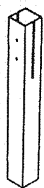
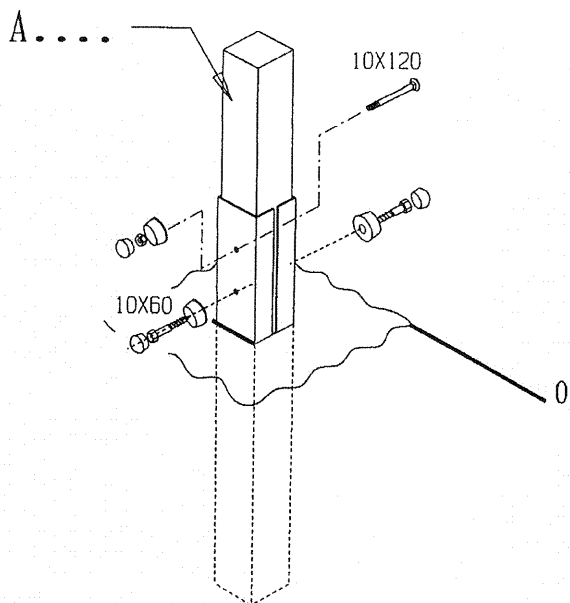
400





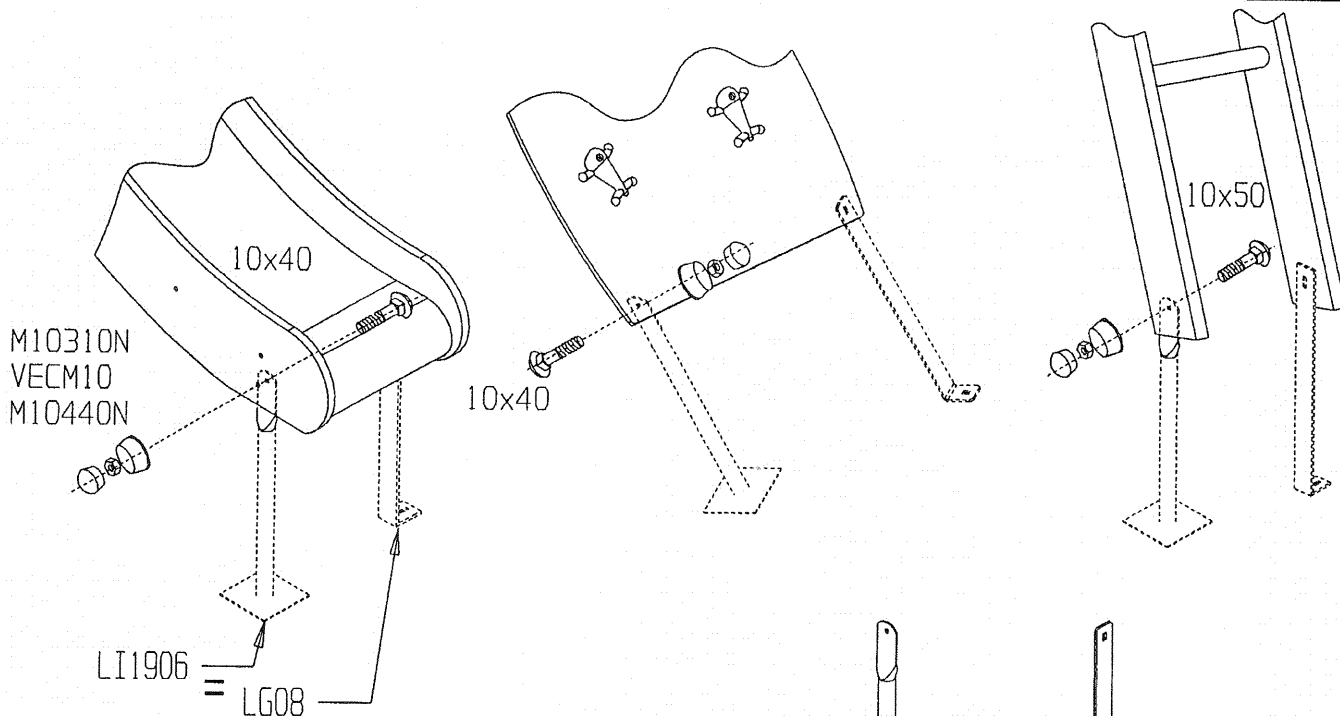
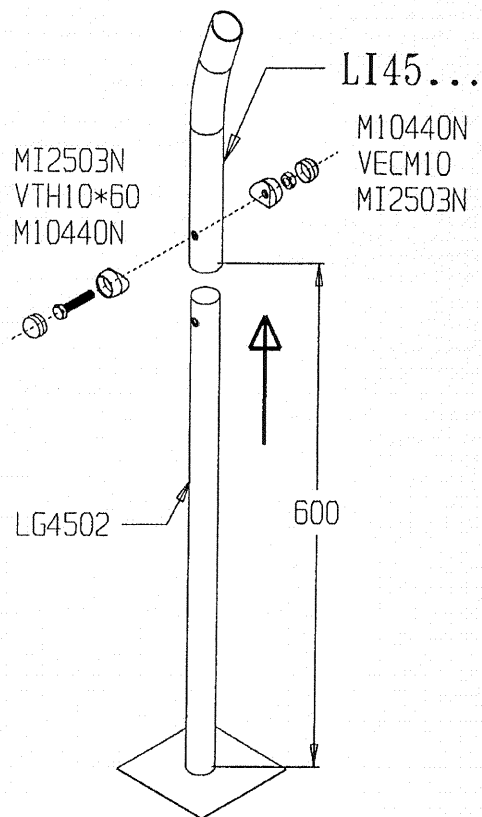
	VTRCC10x120	1
	VTF 10x60	2
	M10310	3
	M10440	3
	VECM10	1



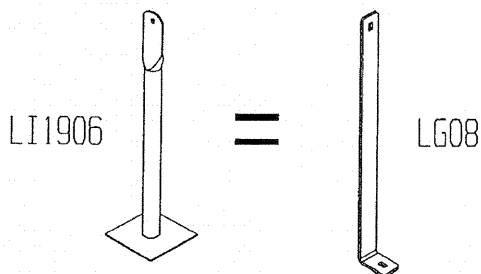


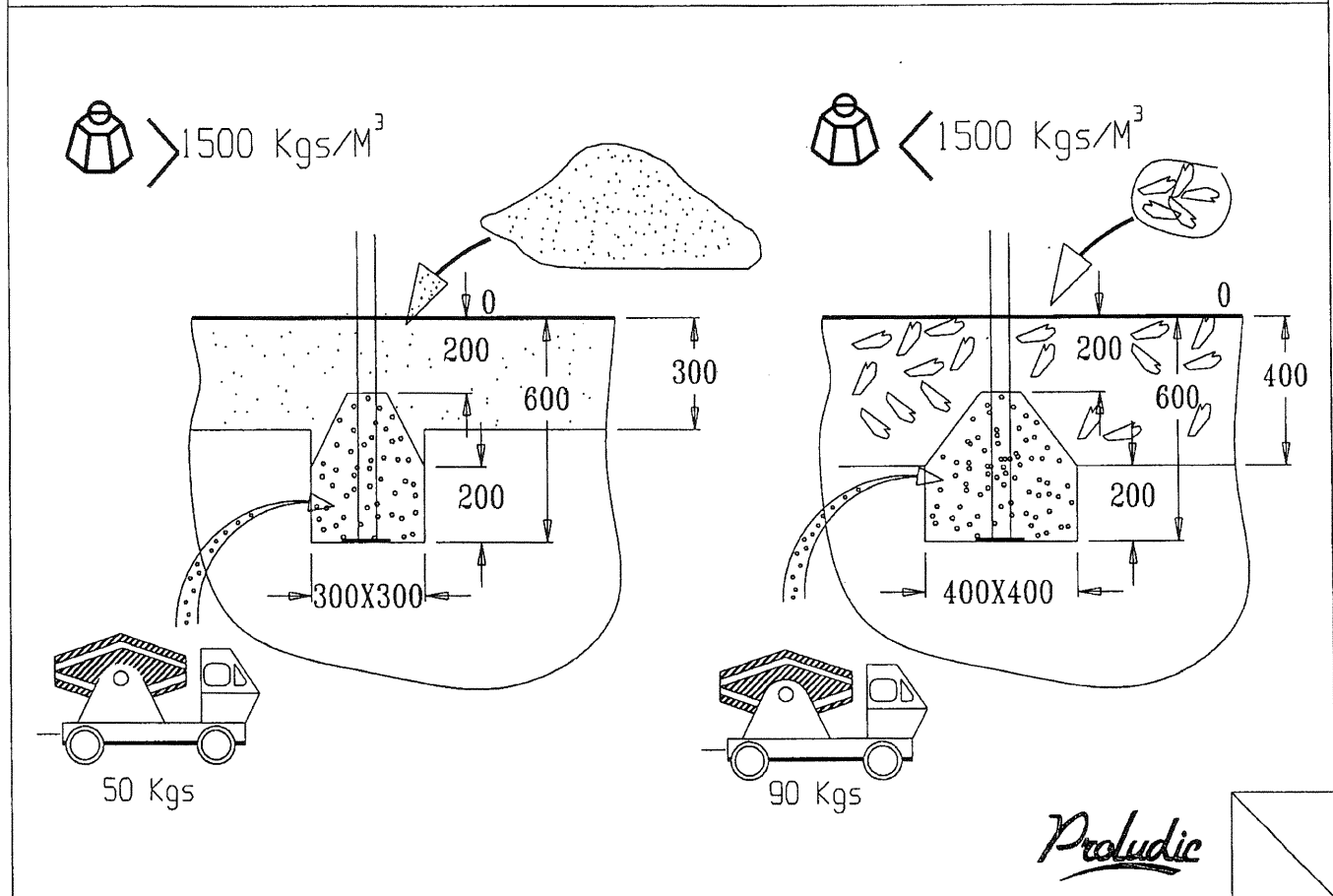
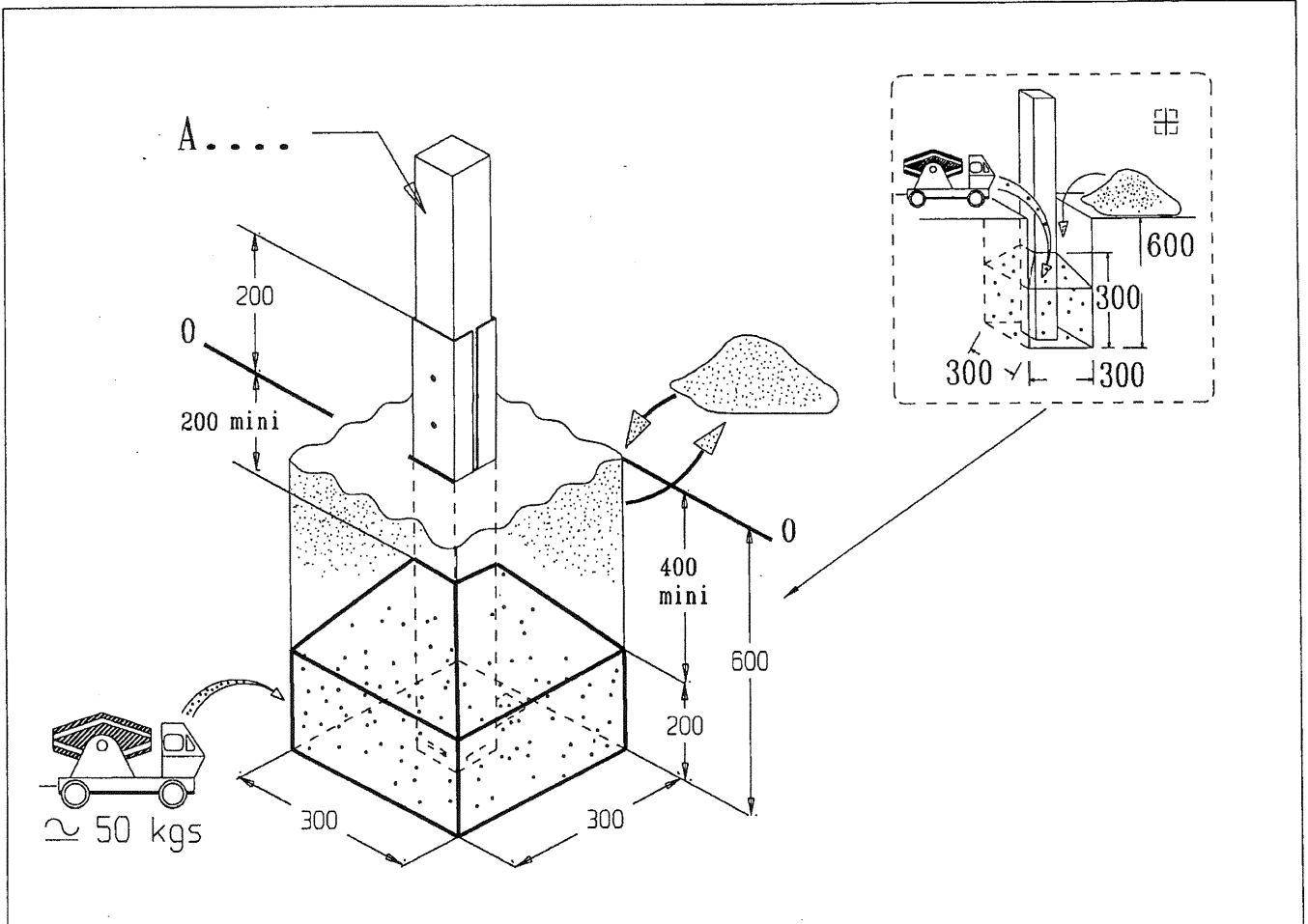
LG1905

	VTRCC10x120	1
	VTF 10x60	2
	M10310	3
	M10440	3
	VECM10	1



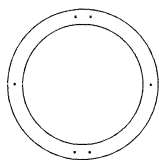
	VTRCC10x	2
	M10310	2
	M10440	2
	VECM10	2



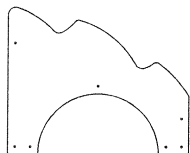


Proludic

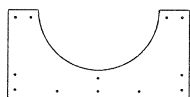
E80VX x 4



E27870 x 4



E50530 x 4



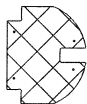
E 2789 V1 x 2



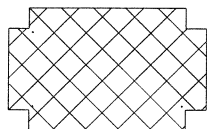
E 2755 □ x 2



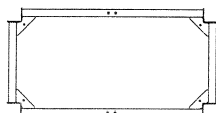
FT27115 x2



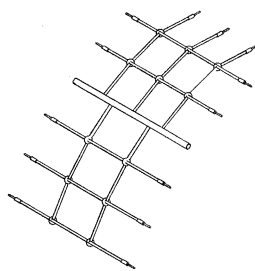
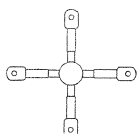
FT3858 x2



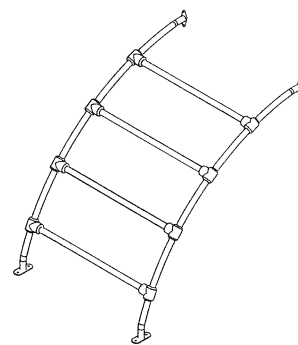
LG3813 x2



U 2722 x 2



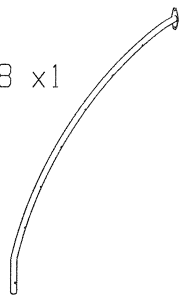
U 2740 x 2



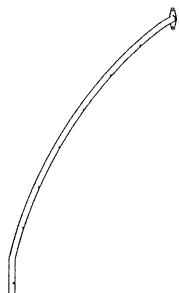
U 2735 x 2

	VBT6x35	6
	VBT7x60	40
	VTF10x60	60
	VTRCC 10x40	18
	VTRCC 10x60	8
	VTRCC 10x120	16
	VCZX6x25	16
	VCBHCM8x30I	8
	VCBHCM10x30I	12
	VCBHCM10x40I	4
	VEBM6	16
	VEFM8	4
	VECM10	58
	VEFM10	22
	M8440N	4
	M8310N	4
	M10440N	130
	M10310N	120
	M12503N	10
	M42	4
	M12502	8
	P13 90°	4

LI 33138 x1



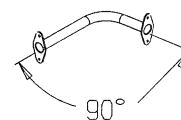
LI 33139 x1



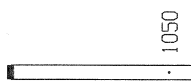
LI C 4 x 1
Lg 640



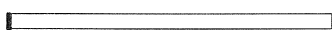
LI 2775 x 4



A 2712 x 2
lg 1200



A 2719 x 4
lg 2150



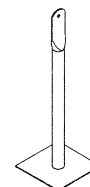
A 2718 x 4
lg 2590



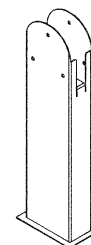
LG 1905 x 10



LI 1906 x 4

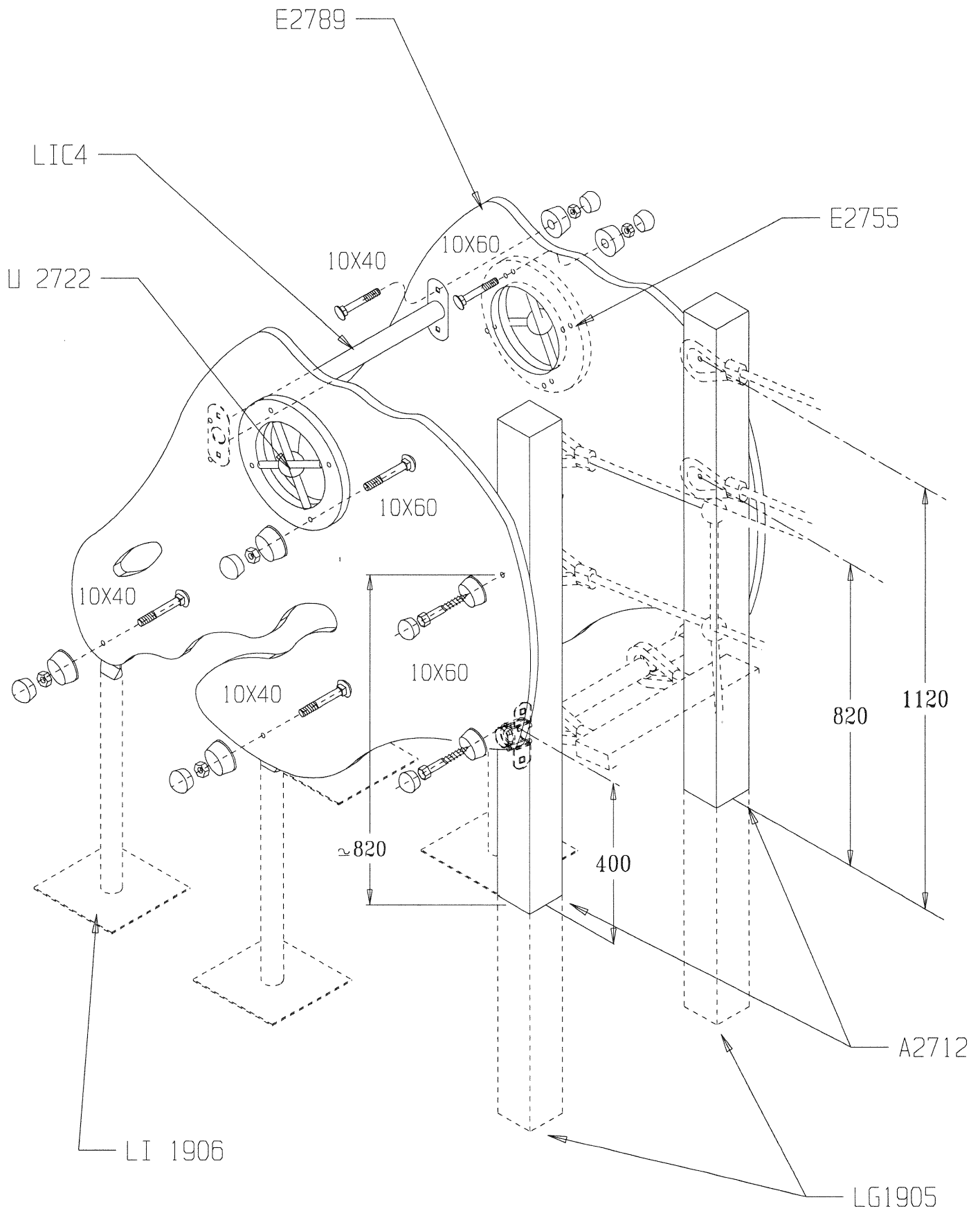


LG 2701 x 2



AP 2700 x 2

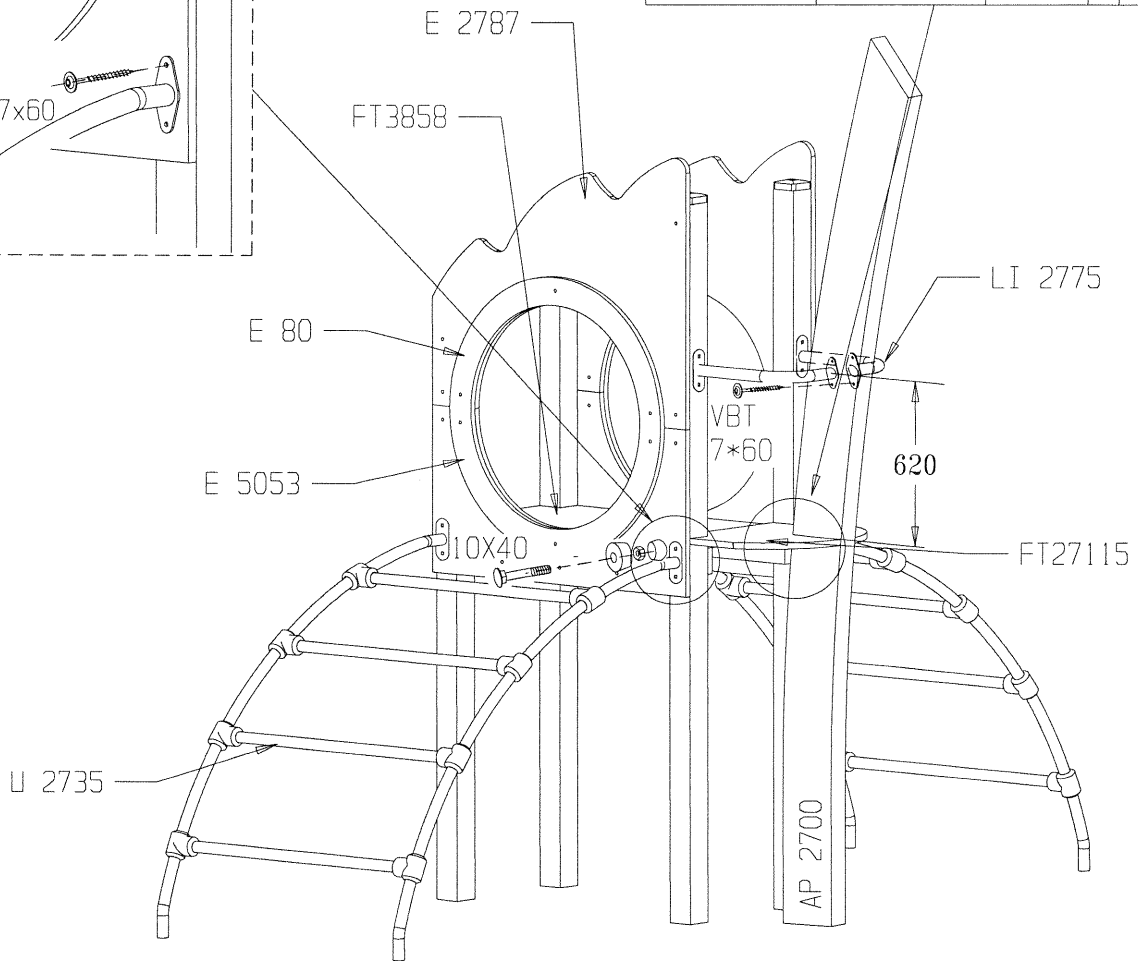
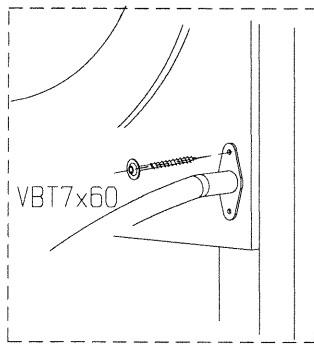
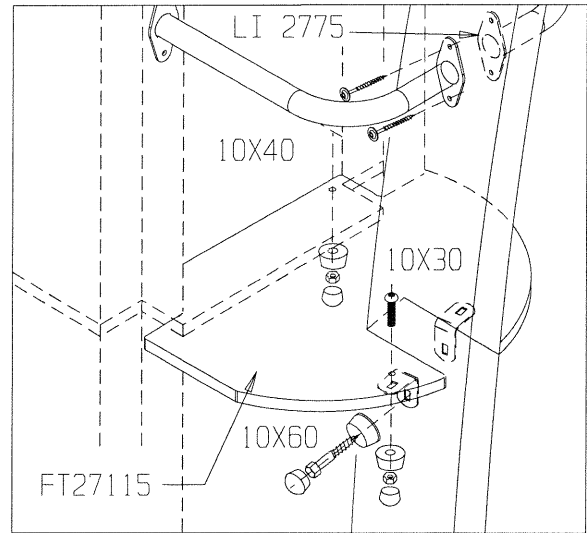
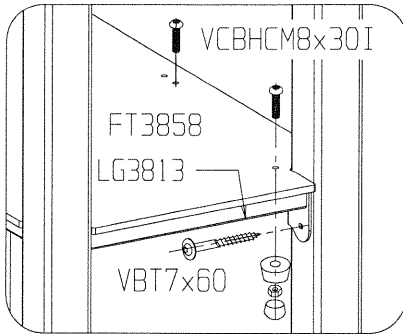


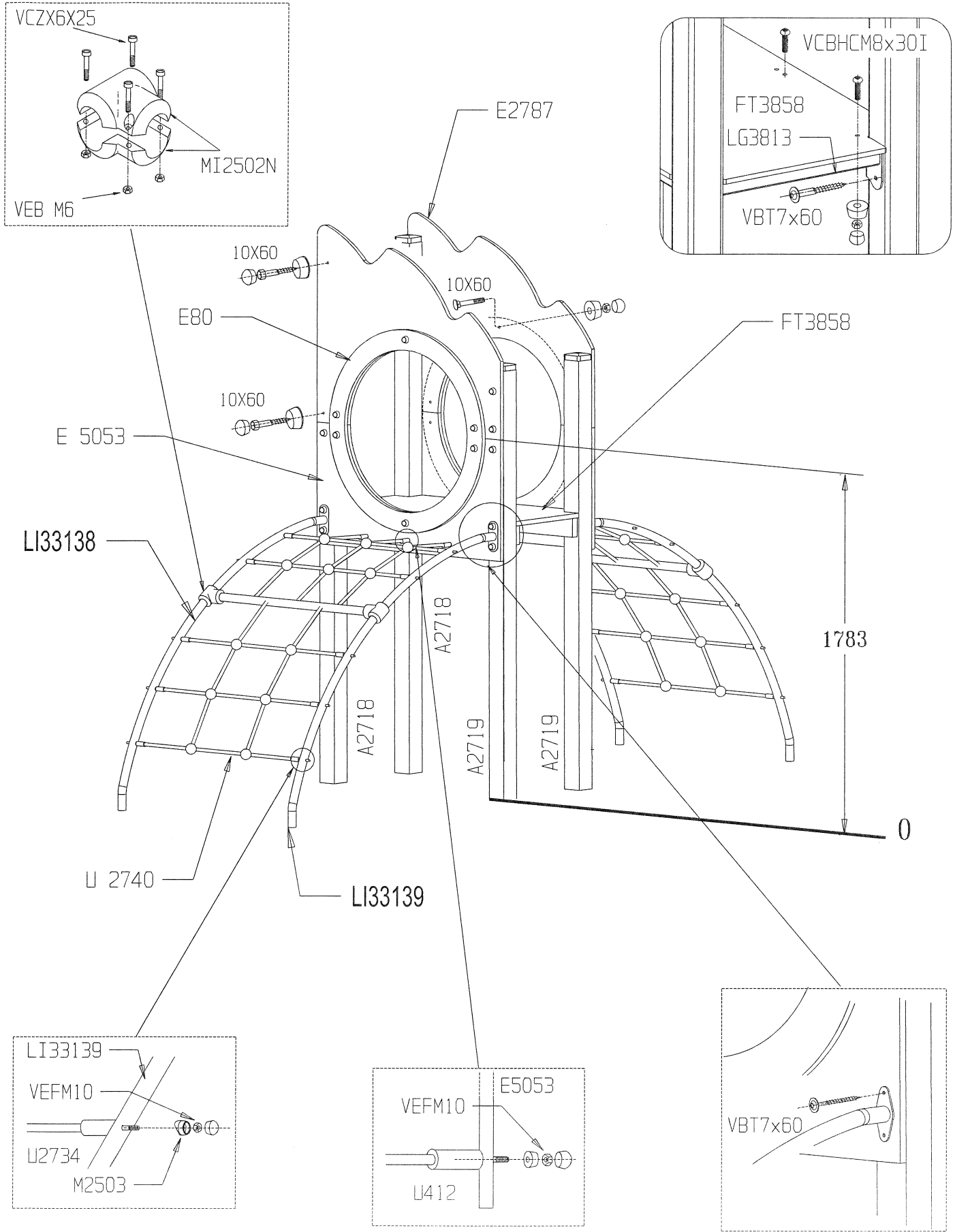


DINO

J 2770

ProLudic

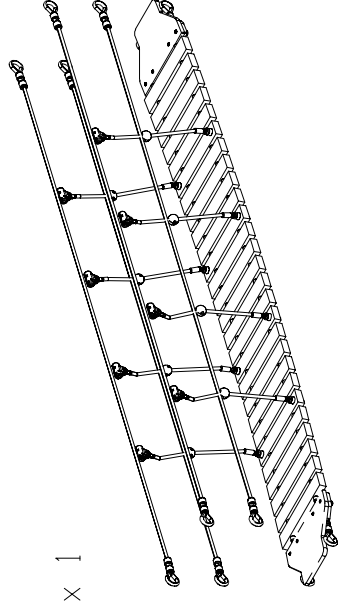
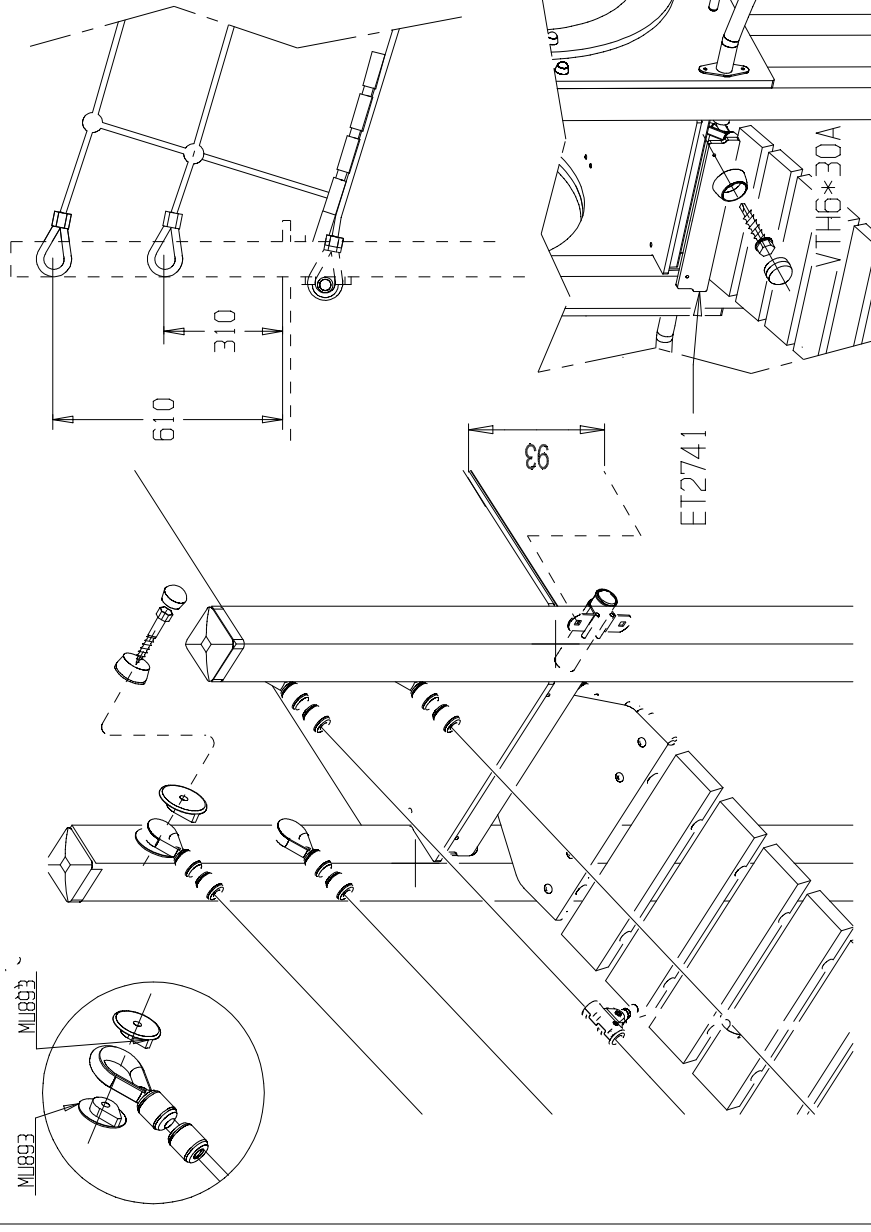
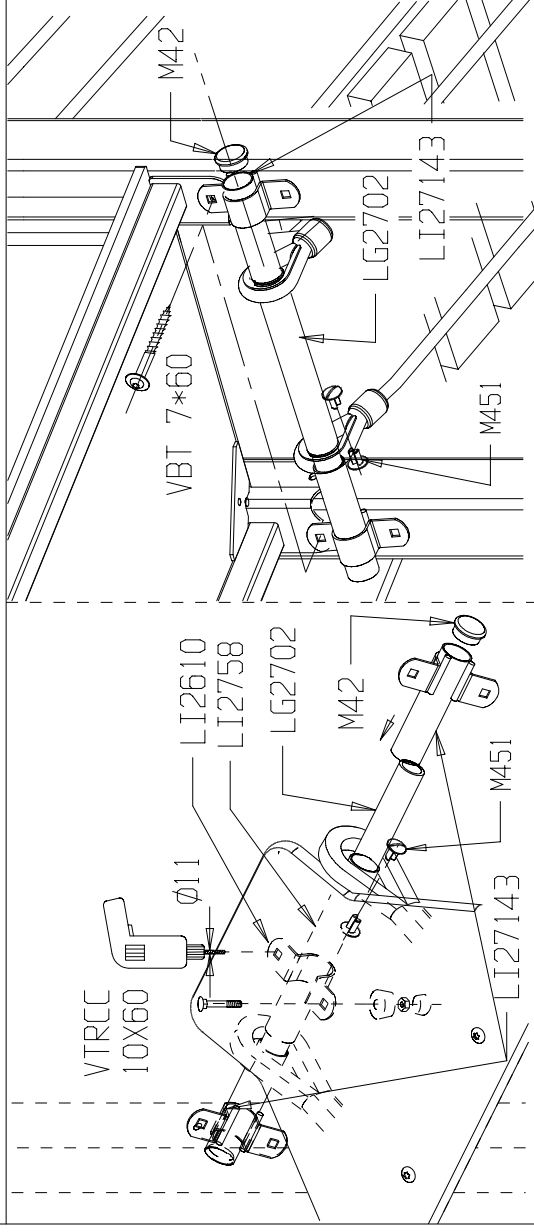




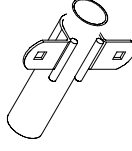
DINO

J 2770

Prodotto



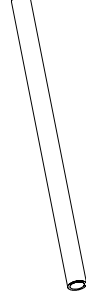
LI 2736 x 1



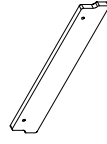
LG 2702 x 2
Lg 585

LI2610 x 2





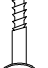
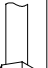
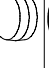



LI27143 x 4
Lg 165



LI 2758 x 2
Lg 260



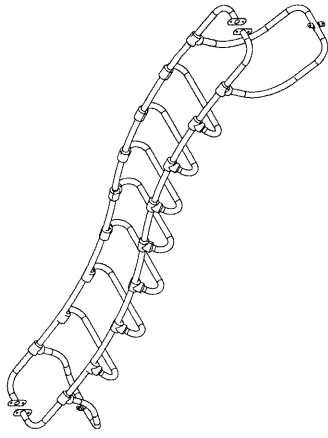
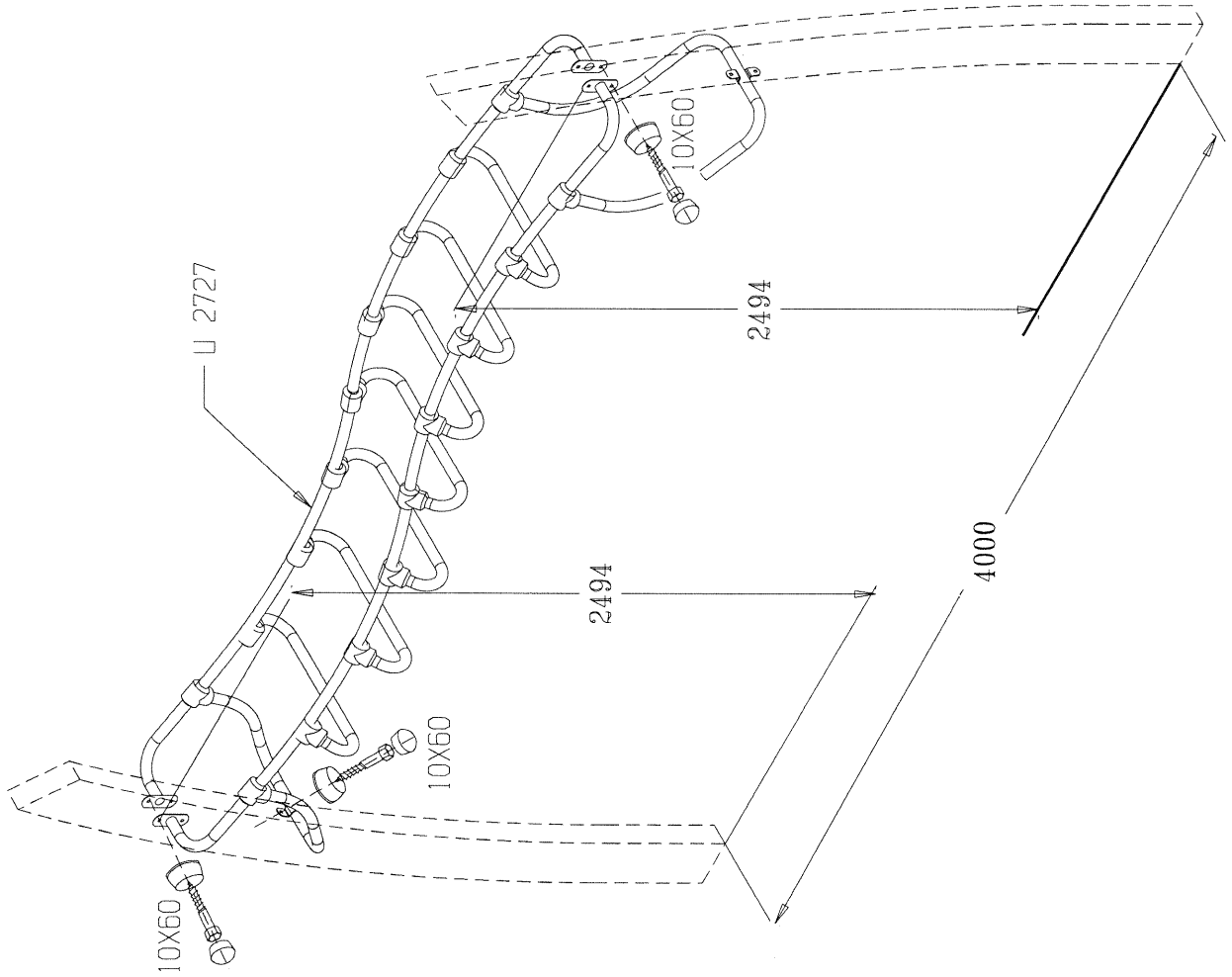
ET2741GA x1

	M8440N	2
	M8310N	2
	VTH6x30A	2
	M451	4
	VBT 7*60	8
	VTF 10x120	8
	M10440N	22
	M10310N	18
	MU893	16
	VTRCC 10x60	4

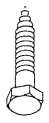
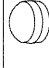

G 2730

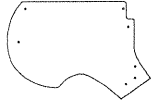
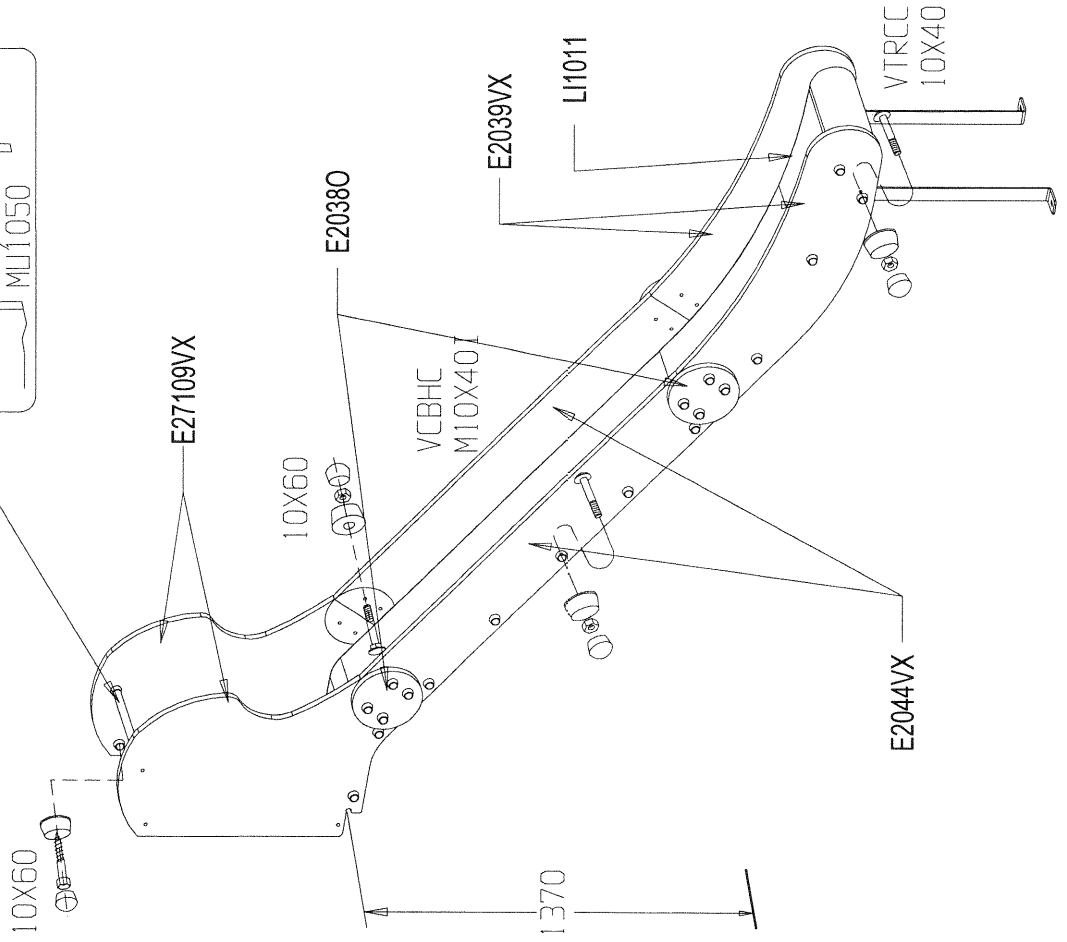
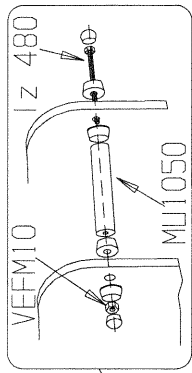
02-12-2012

Prolectic



U 2727 x 1

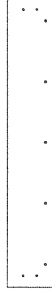
	VTF 10x60	12
	M10x40N	12
	M10x10N	12



E27109 VX x 2



E2038 □ x 4



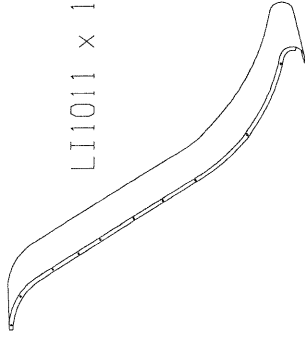
E2044 VX x 2



E2039 VX x 2

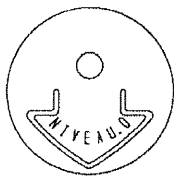
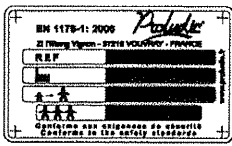


LG08 x 2



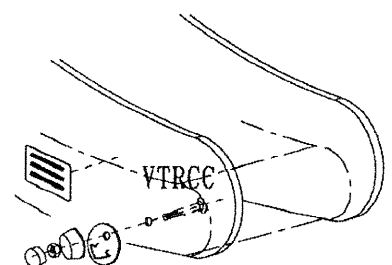
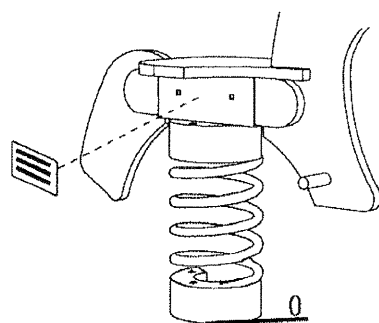
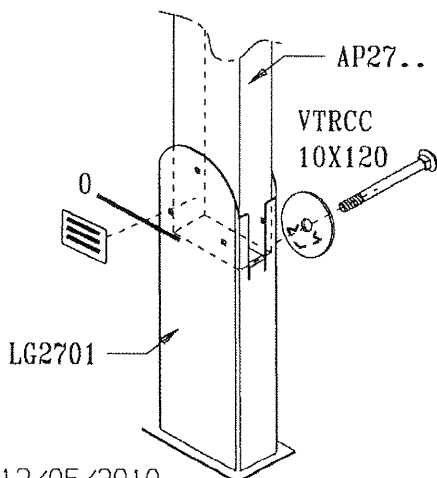
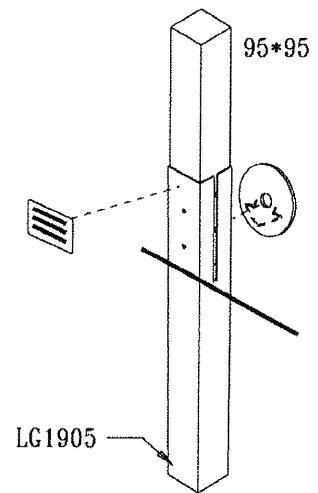
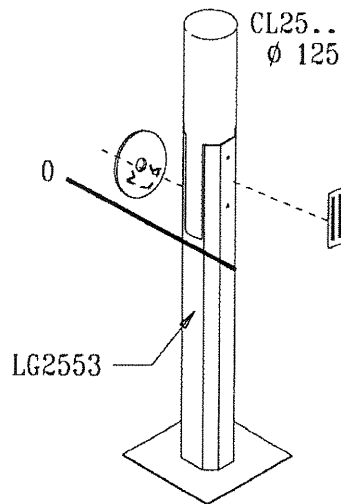
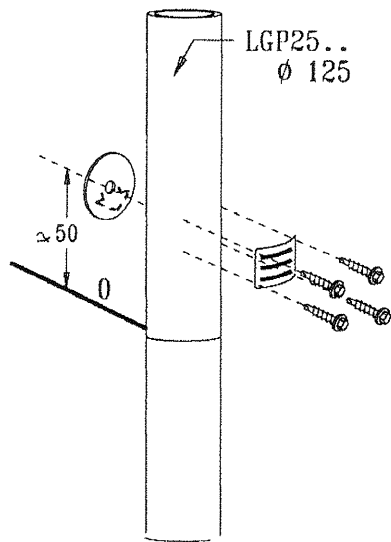
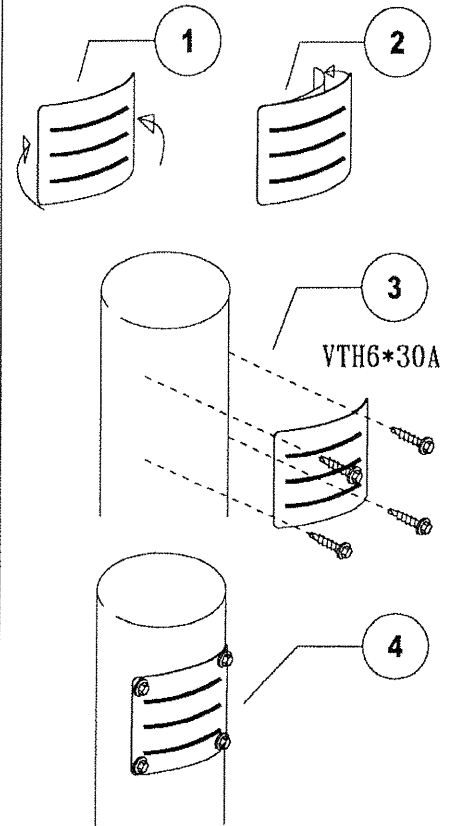
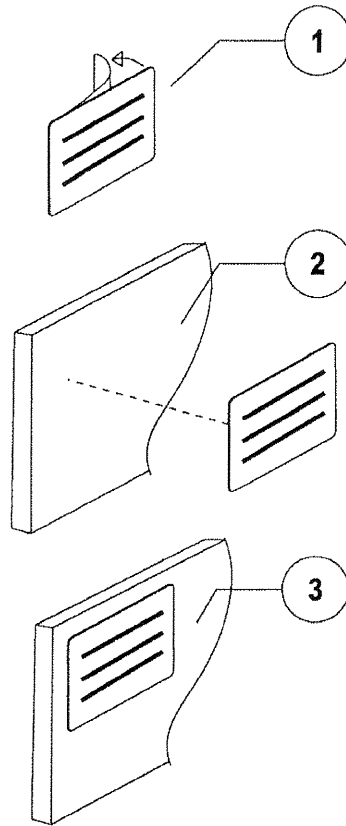
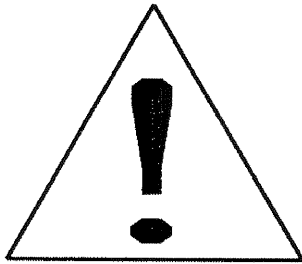
LI1011 x 1

	VTF 10x60	4
	VCBHC M10x40 I	20
	VTRCC 10x40	2
	VTRCC 10x60	16
	VECM10	16
	VEFM10	23
	M10440N	44
	M10310N	46
	LZ480	1
	MU1050	1



LA000

MI0002



12/05/2010