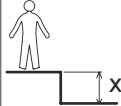
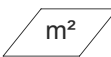


# J2687

*Proludic*





N°		
1	0.6 m	5.5 m <sup>2</sup>
2	1 m	19 m <sup>2</sup>
3	1.77 m	16.5 m <sup>2</sup>
4	2.5 m	11.5 m <sup>2</sup>
5	2.6 m	20 m <sup>2</sup>

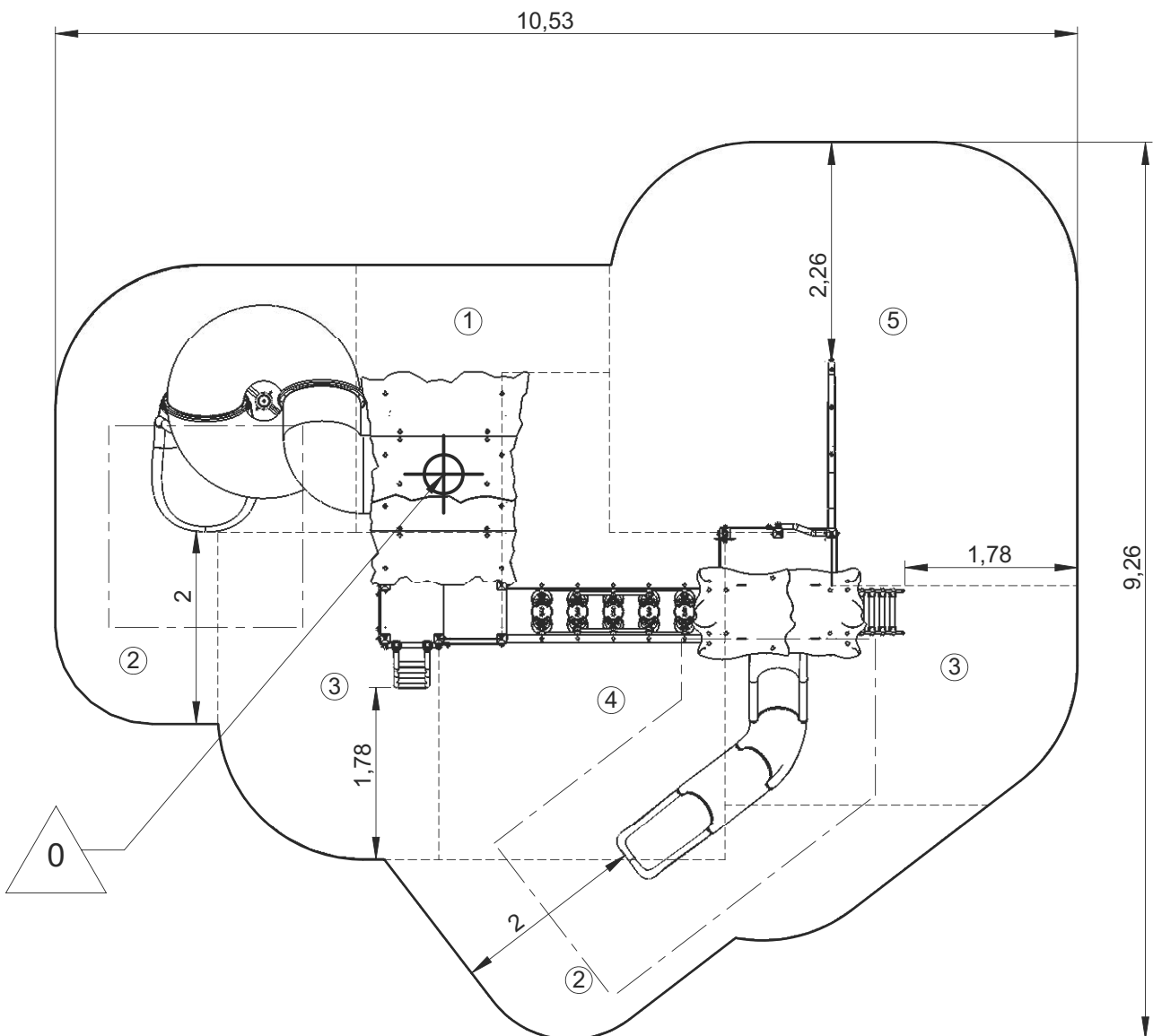
— Zone d'impact  
Impact area  
Area de impacto  
Fallraum  
Valzone

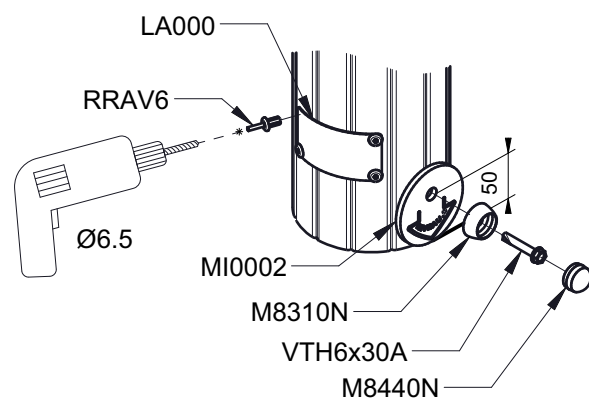
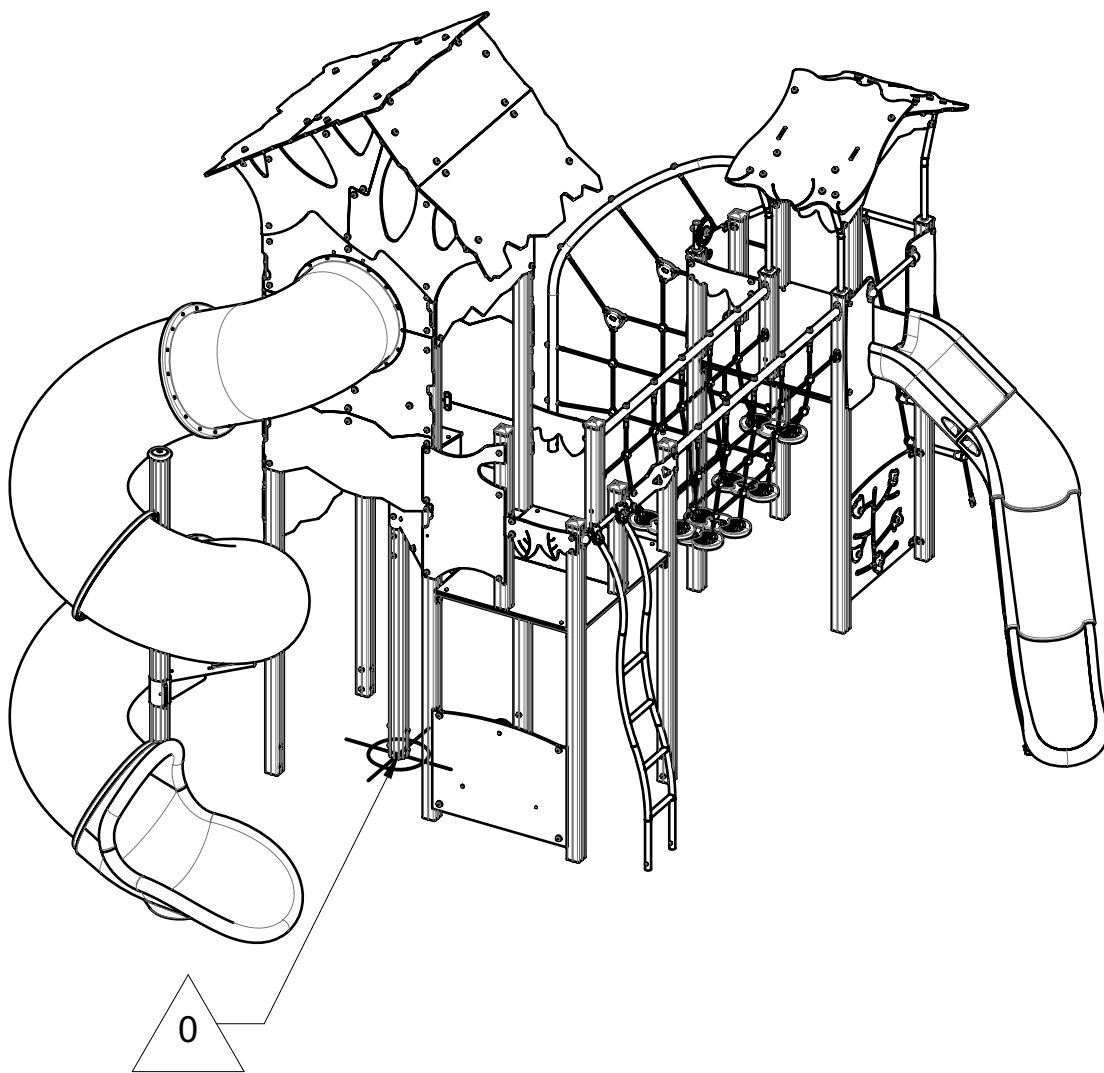
- - - Espace libre  
Free space  
Espacio libre  
Freiraum  
Vrije ruimte



Point de référence  
Setting out point  
Punto de referencia  
Bezugspunkt  
Referentiepunt

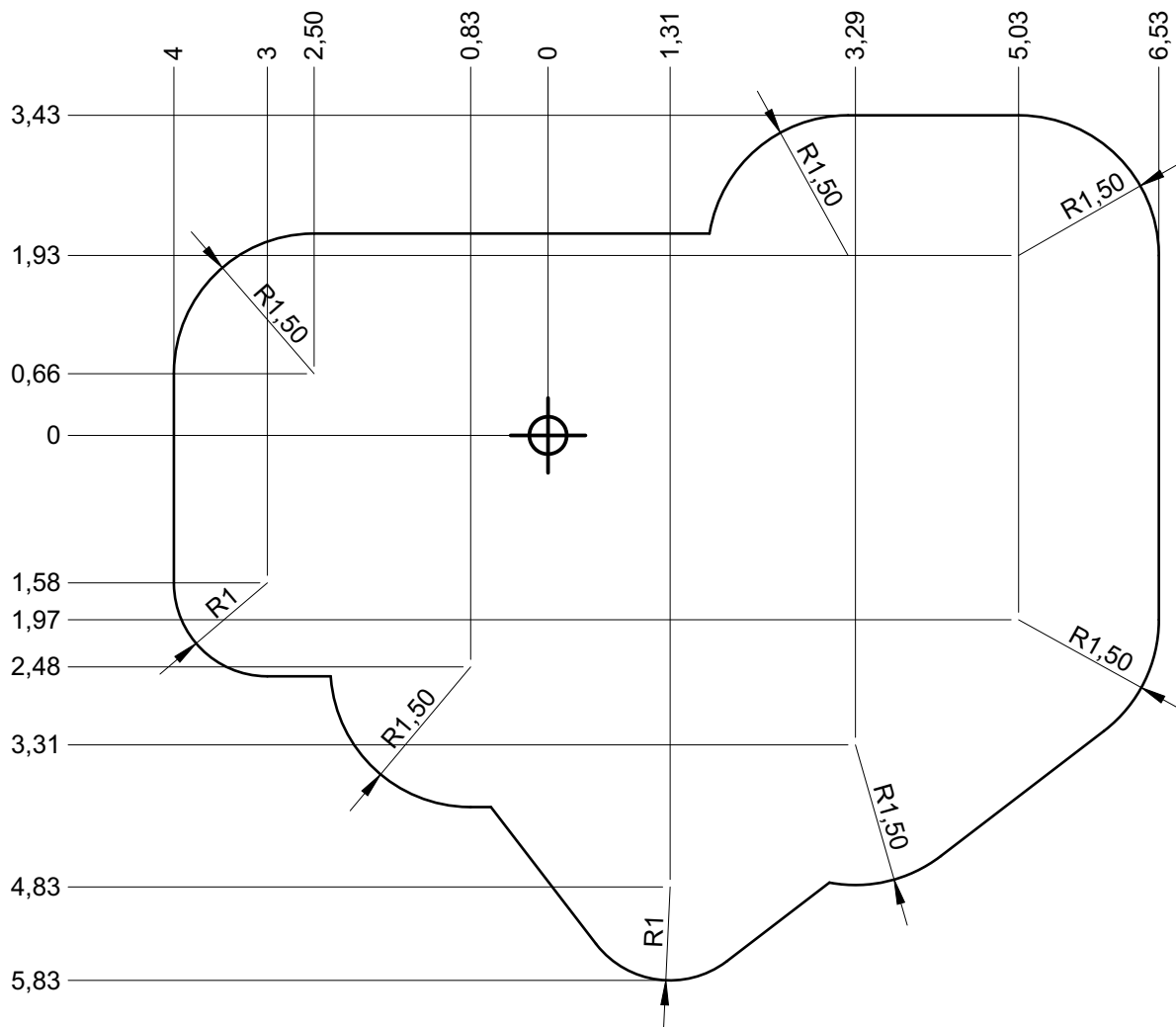
EN1176-1:2017  
EN1176-3:2017





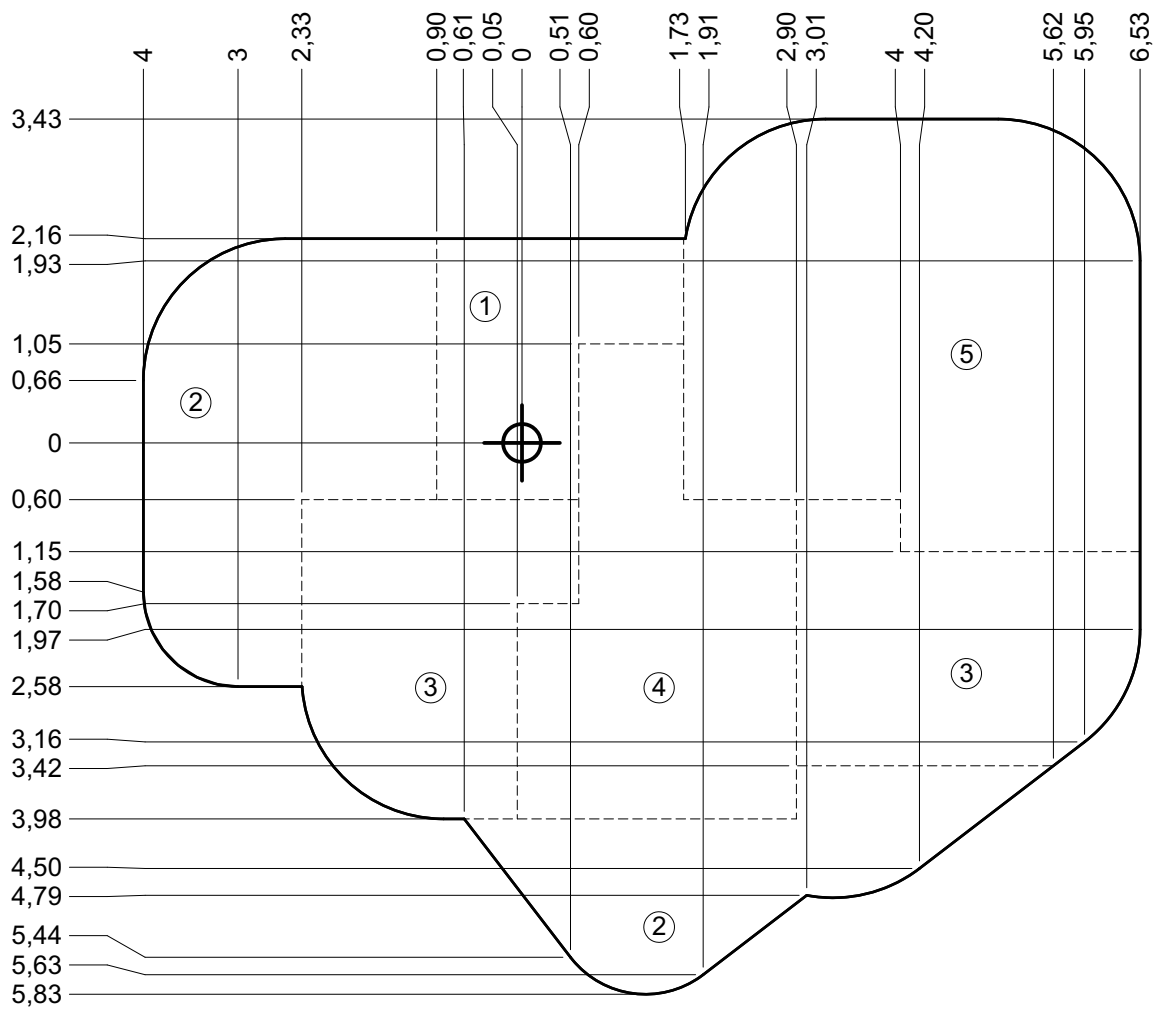
— Zone d'impact  
 Impact area  
 Area de impacto  
 Fallraum  
 Valzone

72.5 m<sup>2</sup>



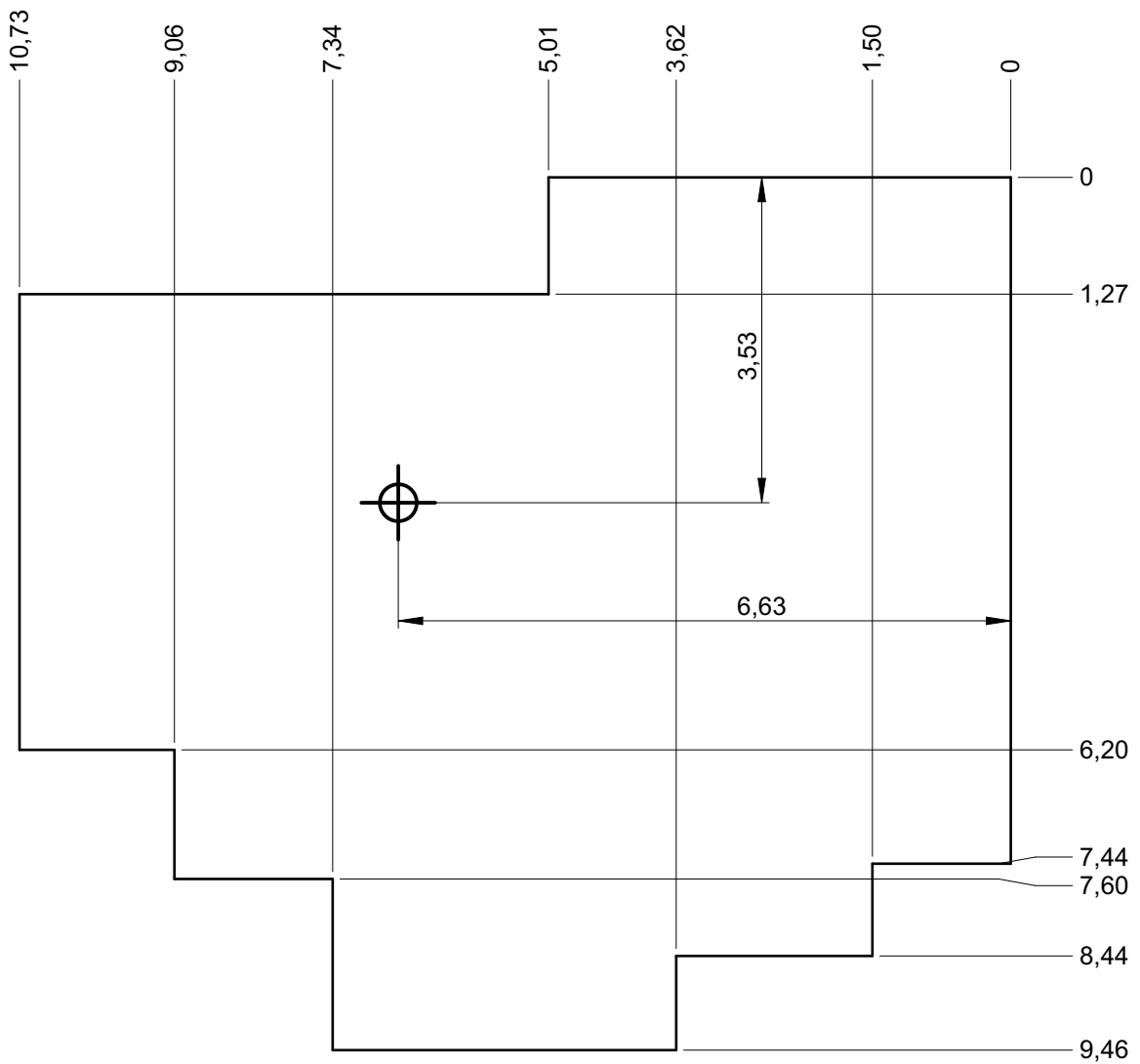
— Sol souple  
 Wetpour  
 Caucho continuo  
 Synthetischer Fallschutz  
 Gietvloer

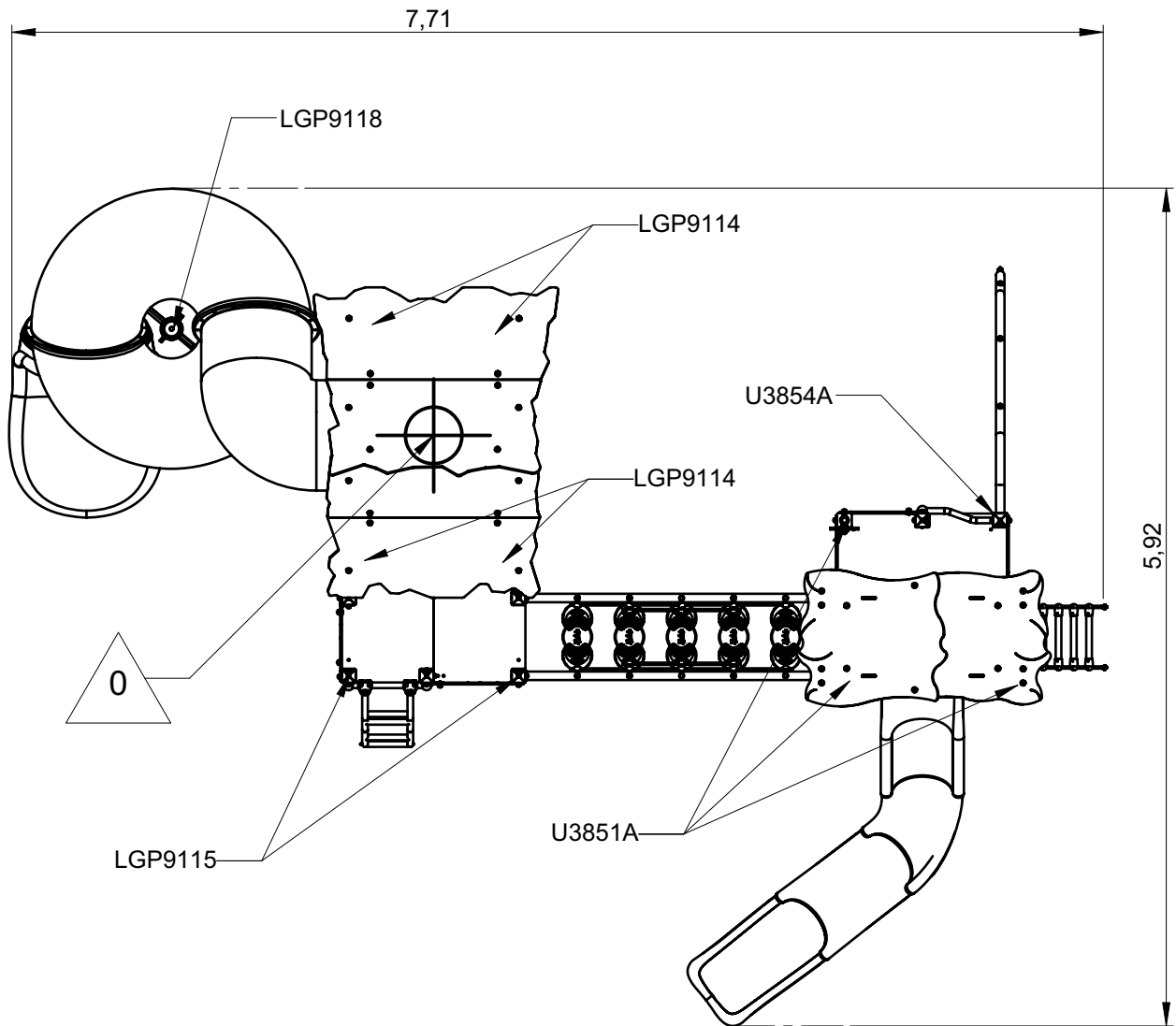
72.5 m<sup>2</sup>

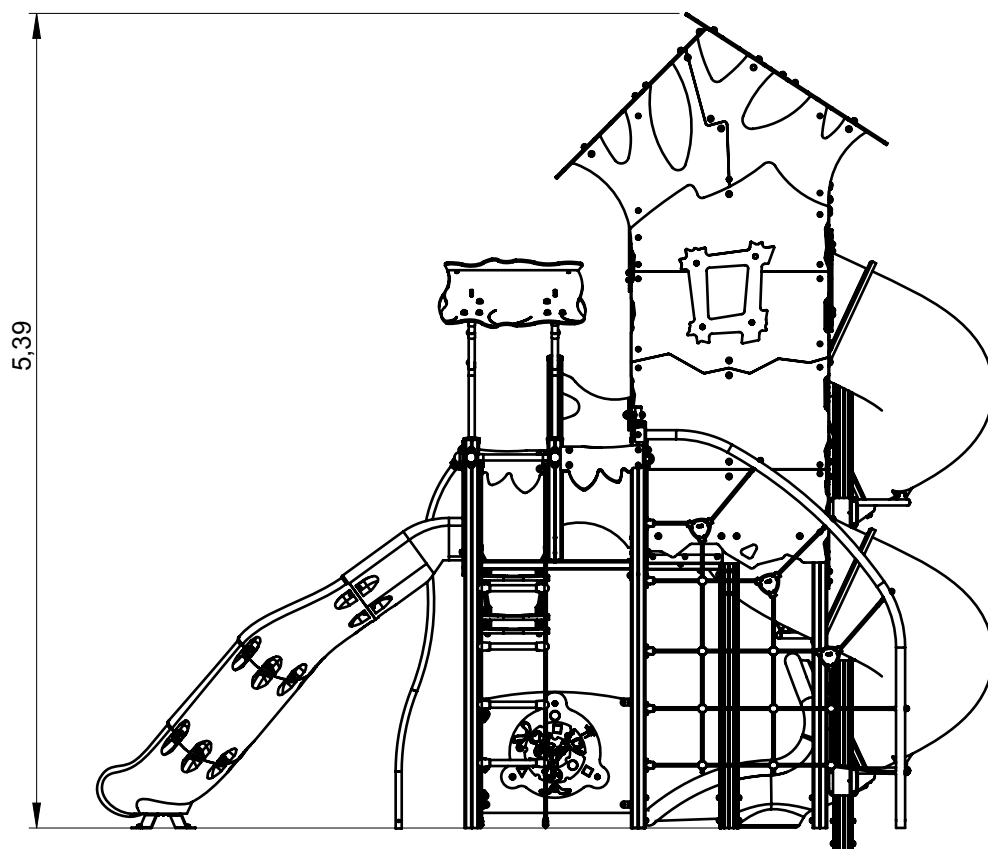
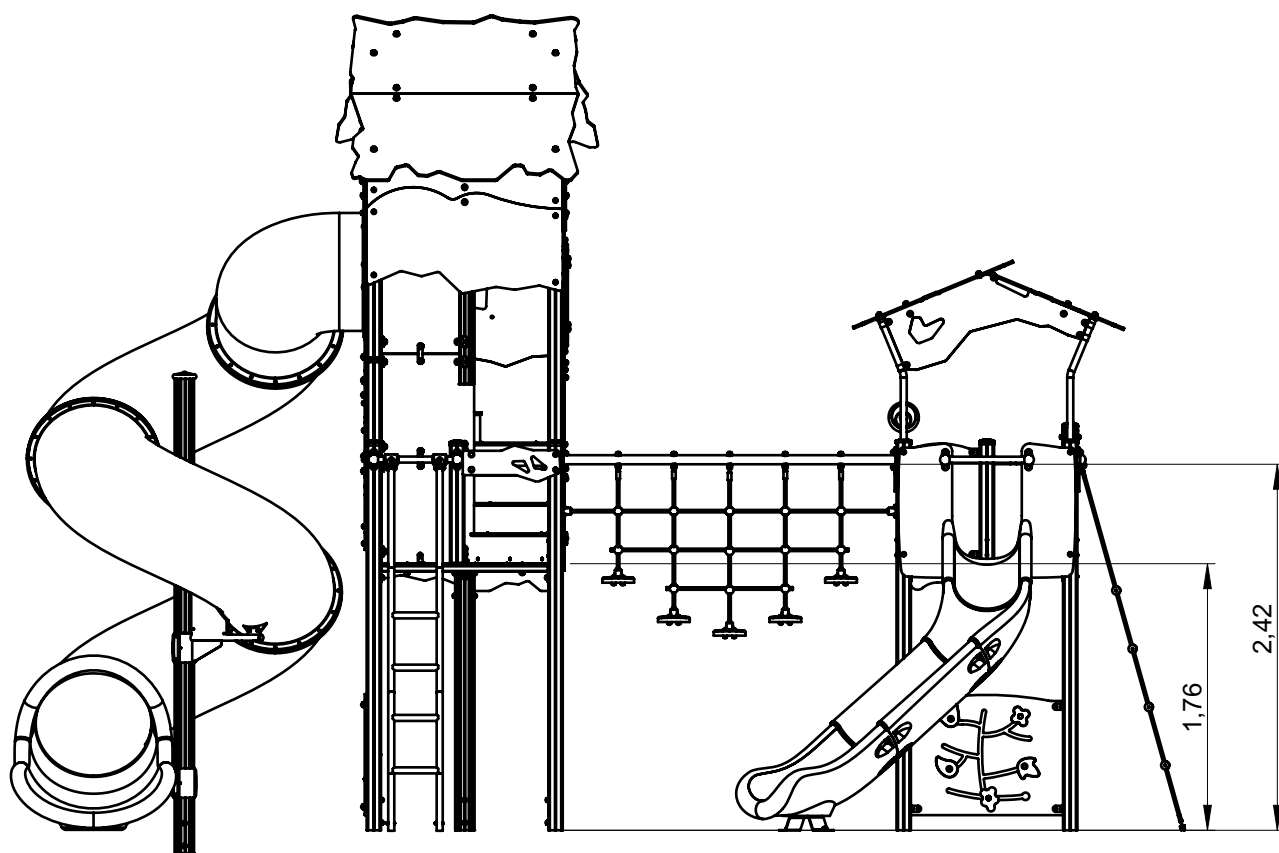


— Sol fluent  
 Loos particule material  
 Arenero  
 Loses Bodenmaterial  
 Los bodemateriaal

m  
 m<sup>2</sup>



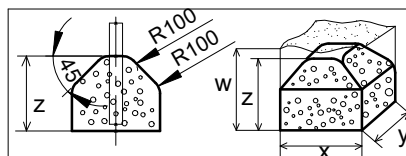
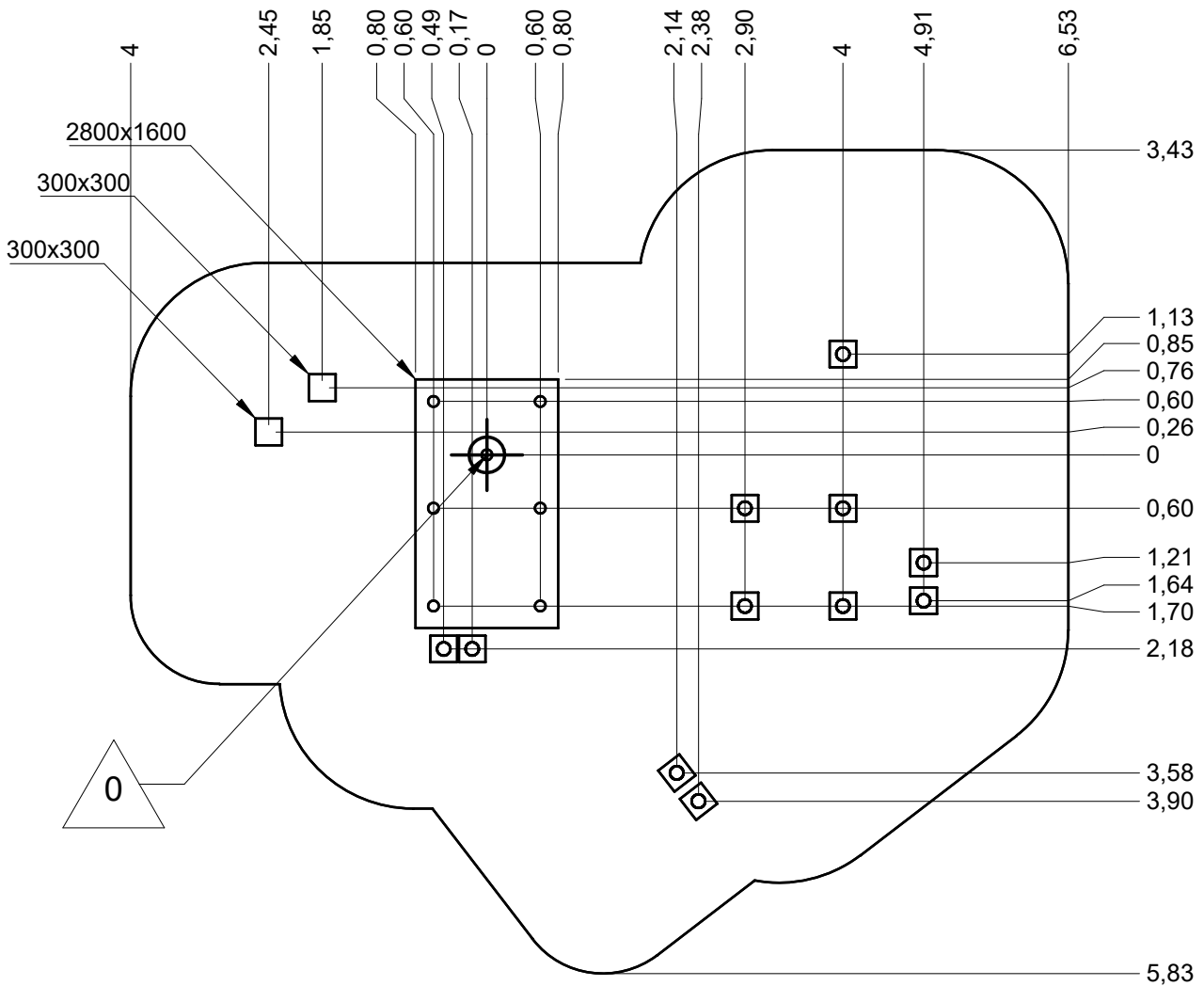
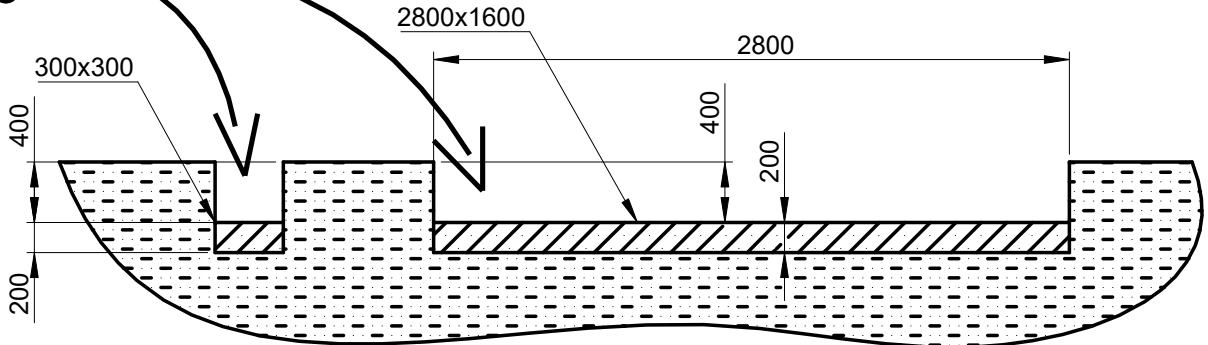




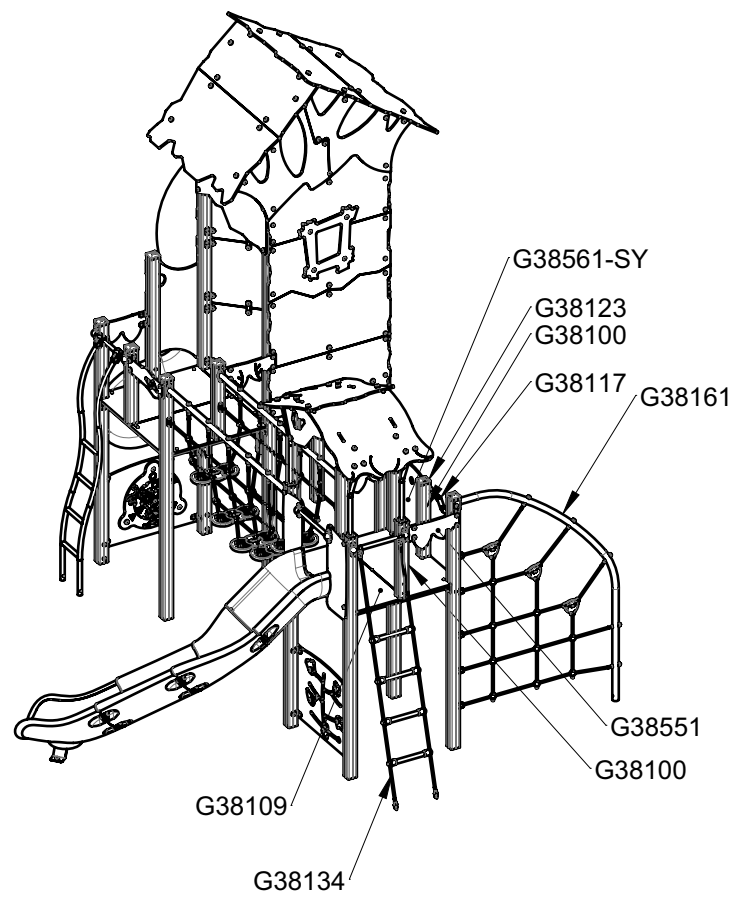
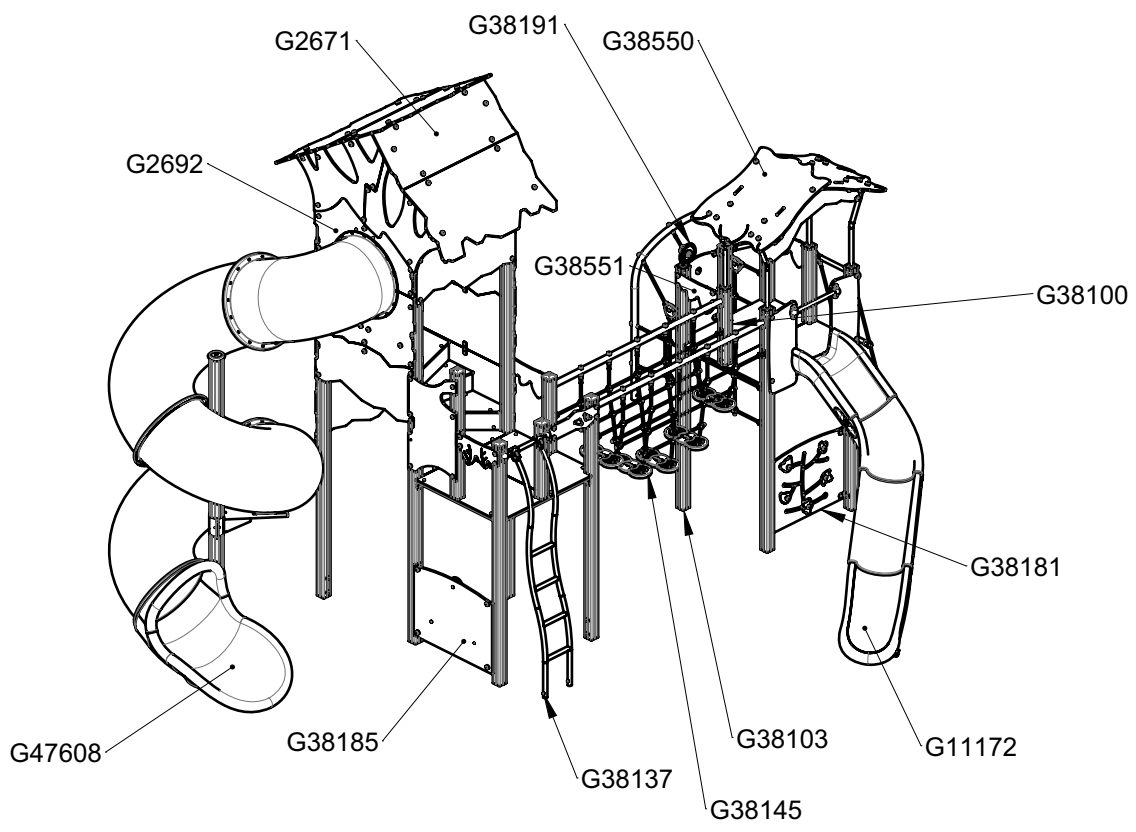


350kg/m<sup>3</sup>

Implantation  
Footing plan  
Implantación  
Fundamentplan  
Funderingstekening

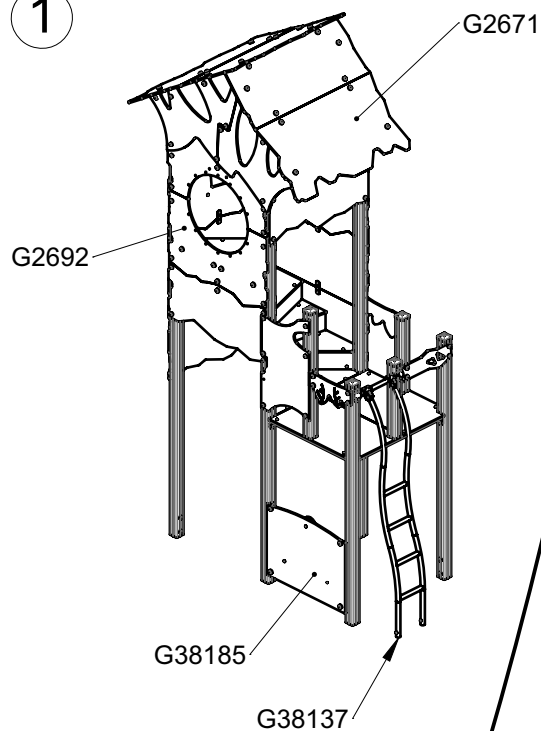


	x	y	z	w
	0.3	0.3	0.3	0.6
	0.4	0.4	0.3	0.6
	0.6	0.3	0.3	0.6

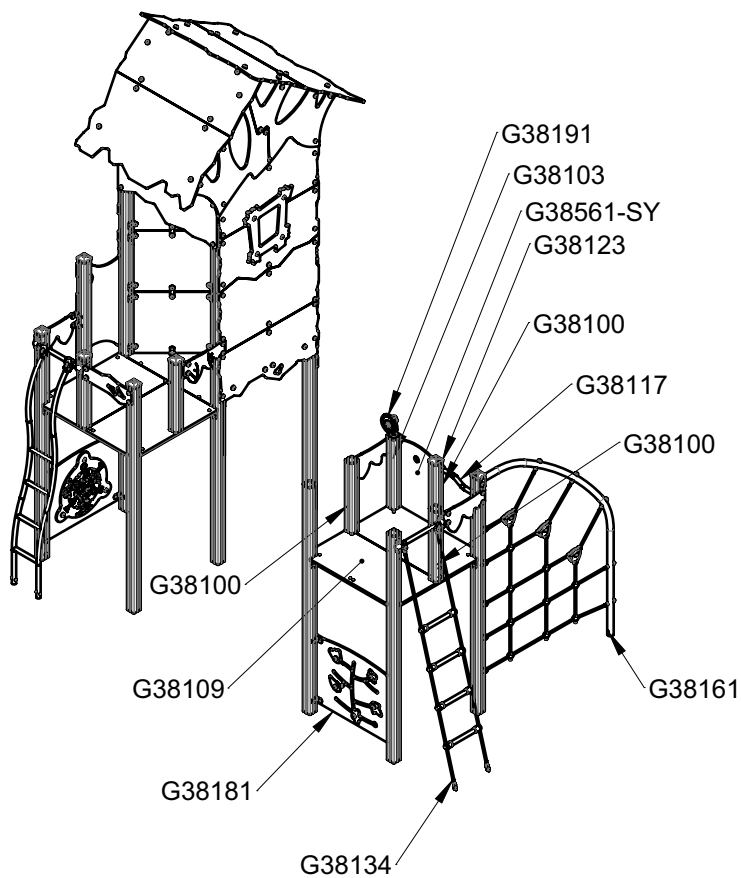


Réf	Qté
G2671A	1
G2692	1
G11172A	1
G38100	3
G38103	1
G38109	1
G38117	1
G38123	1
G38134	1
G38137	1
G38145	1
G38161	1
G38181	1
G38185	1
G38191	1
G38550	1
G38551	1
G38551	1
G47608A	1
G38561-SY	1

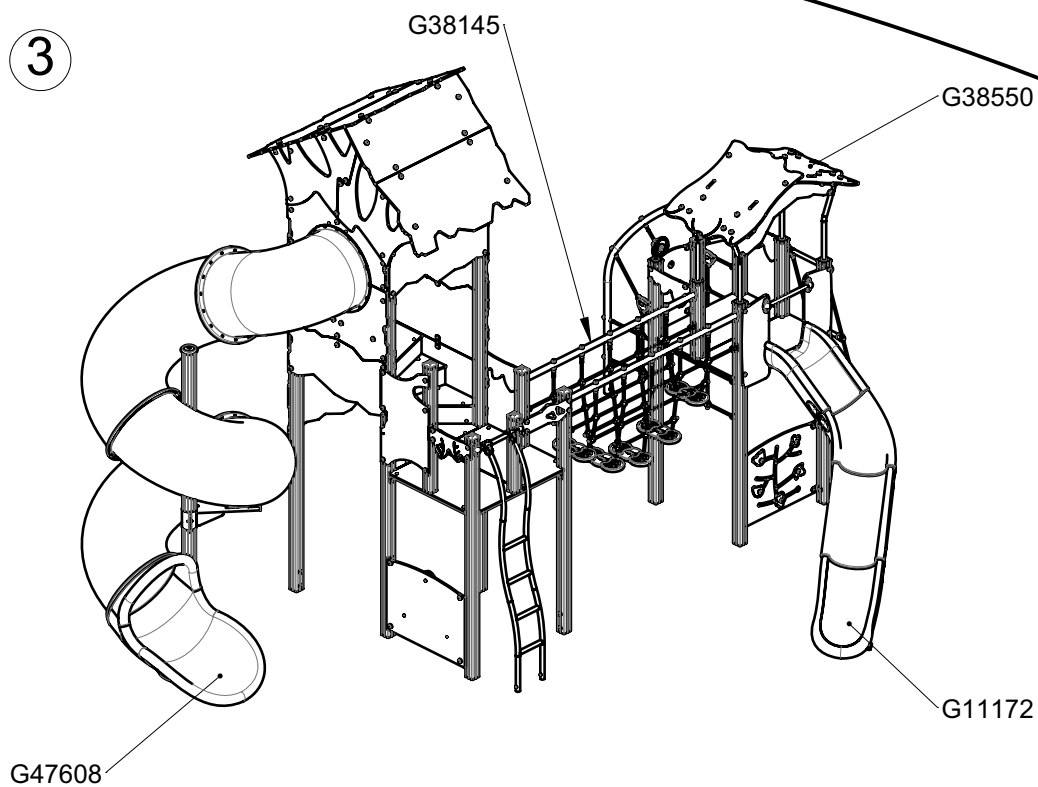
1



2



3

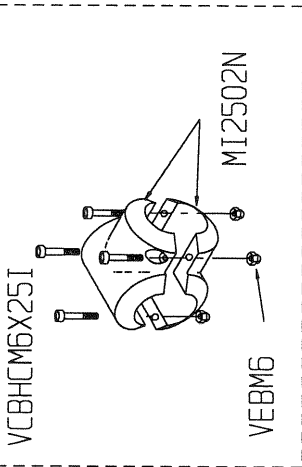


G38137

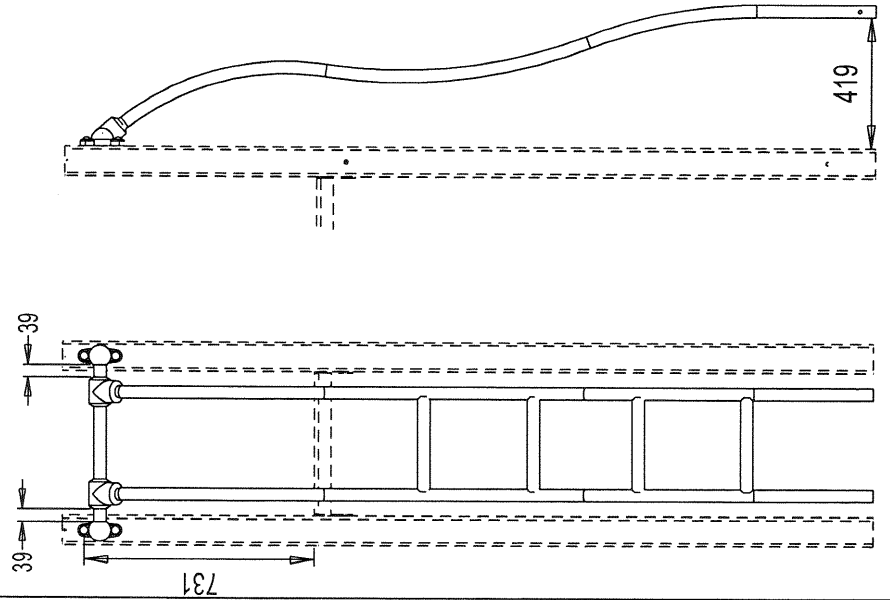
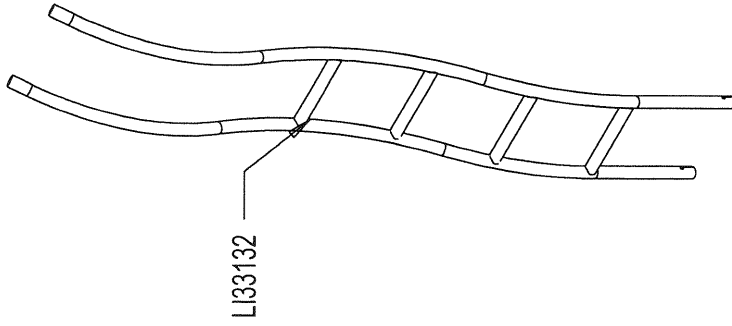
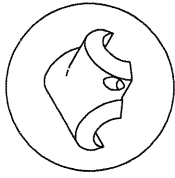
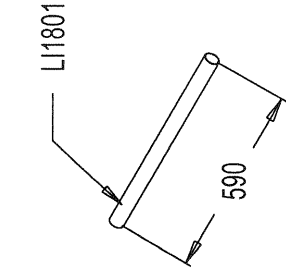
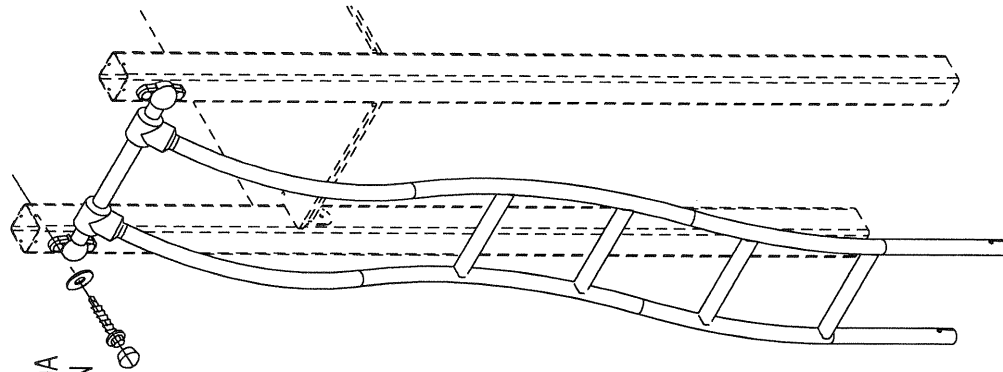
HT 1770

17/08/14

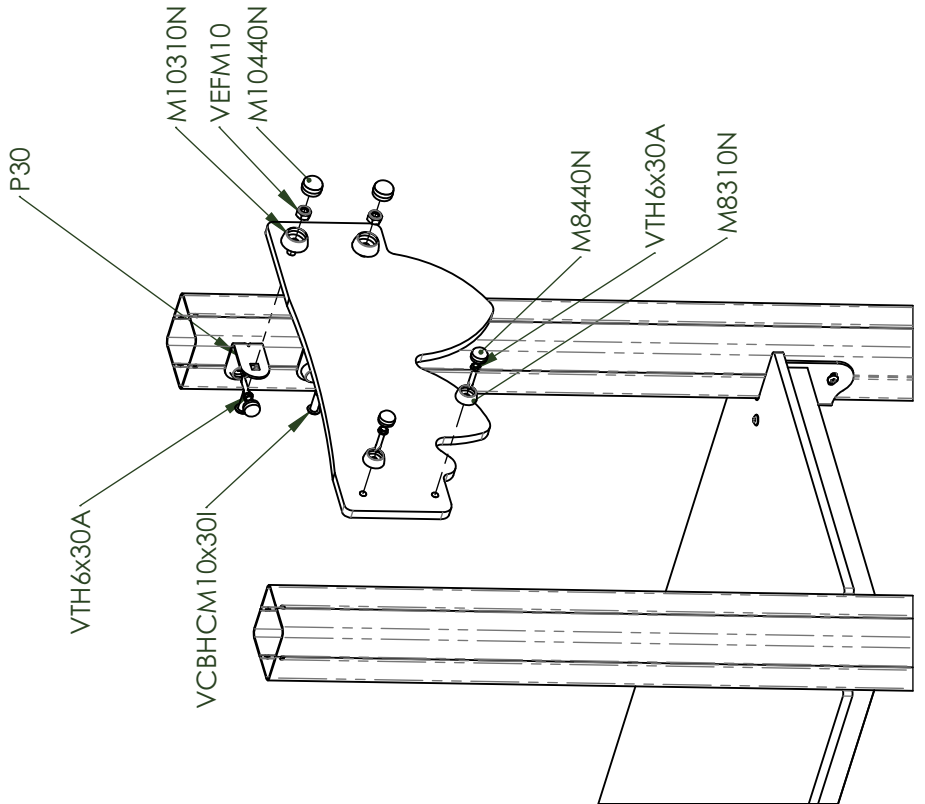
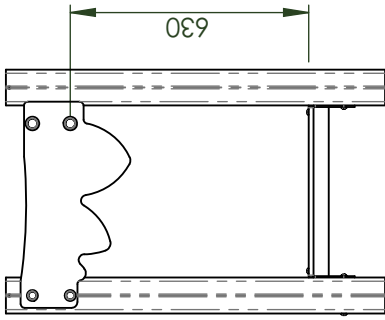
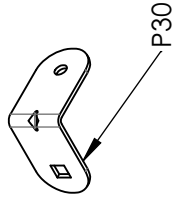
Procladie



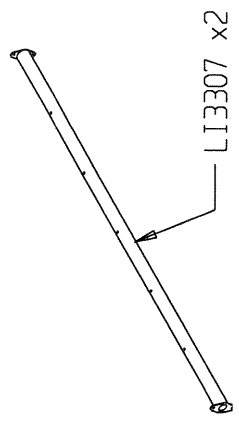
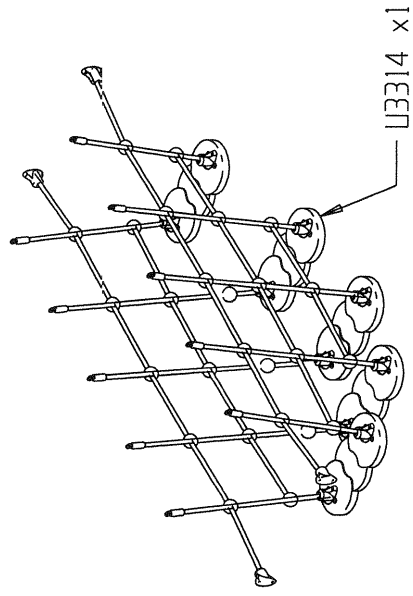
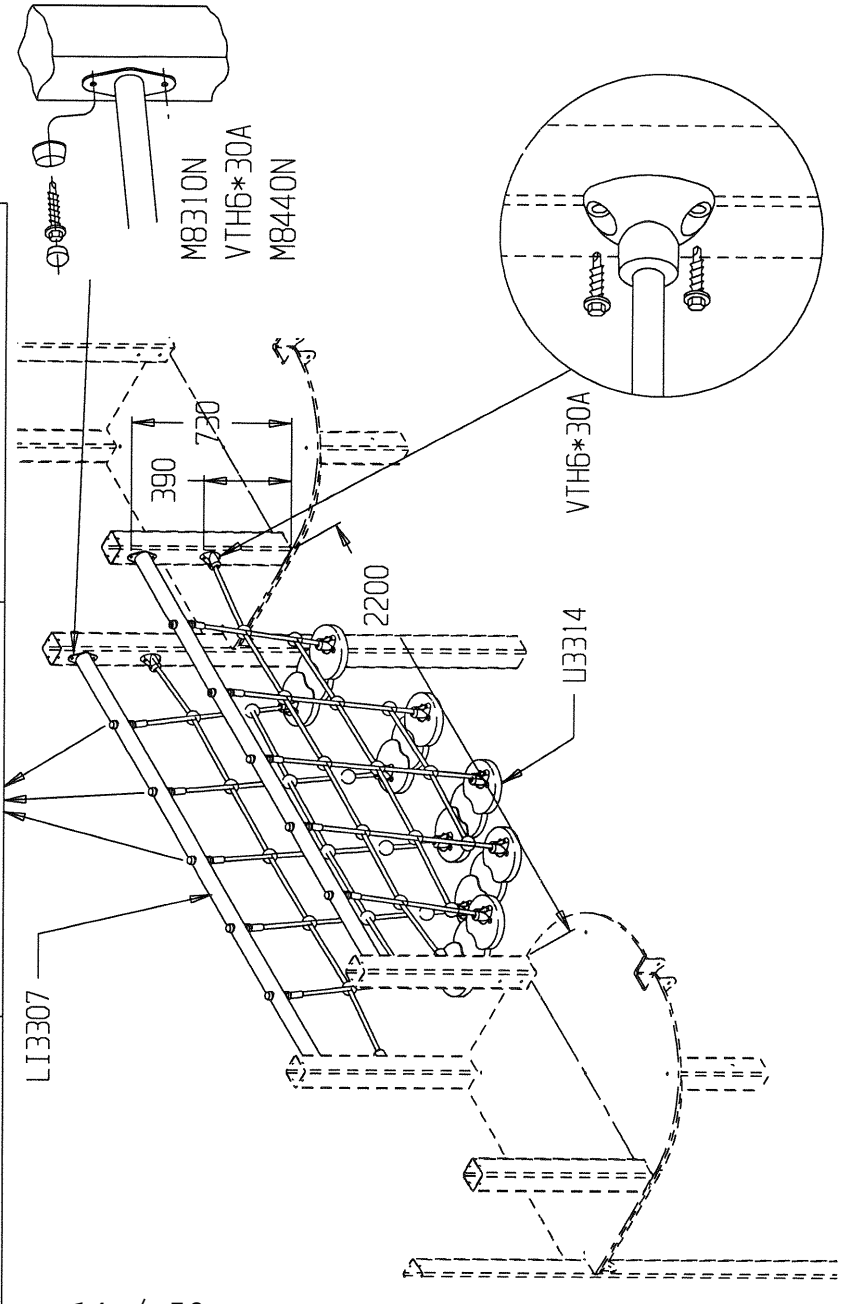
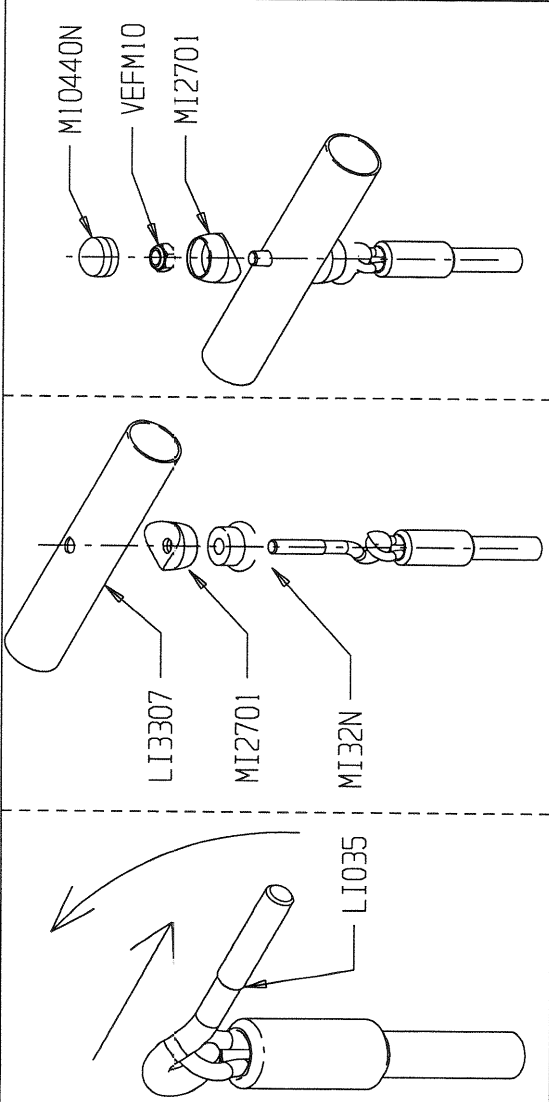
VR6\*18  
 VTH6\*30A  
 M10440N



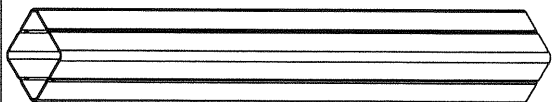
	VR6X18	4
	MI26N	2
	VTH6X30A	4
	VCBH6X25I	8
	VEBM6	8
	M10440N	4



Réf	Qté
ET38550PV	1
M8310N	4
M8440N	4
M10310N	2
M10440N	2
P30	2
VCBHC10x30I	2
VEFM10	2
VTH6x30A	4



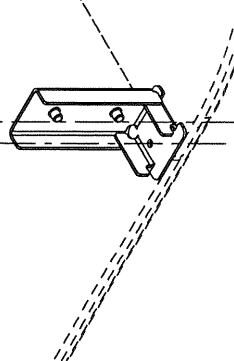
	MI0440N	8
	VEFM10	8
	MI2701	10
	MI32N	10
	VEFM10	10
	VTH6*30A	16
	MI2701	20
	MI0440N	10



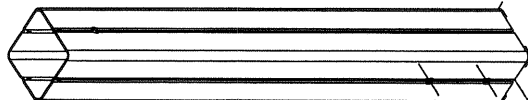
1



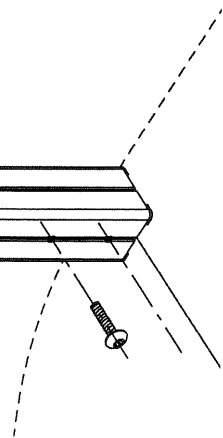
VCBHC8\*30I  
X2



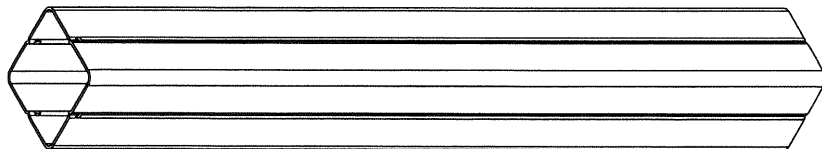
2



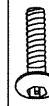
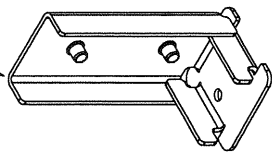
VCBHC10\*30I  
X2



LGP3834

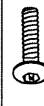


LG3812



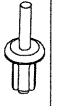
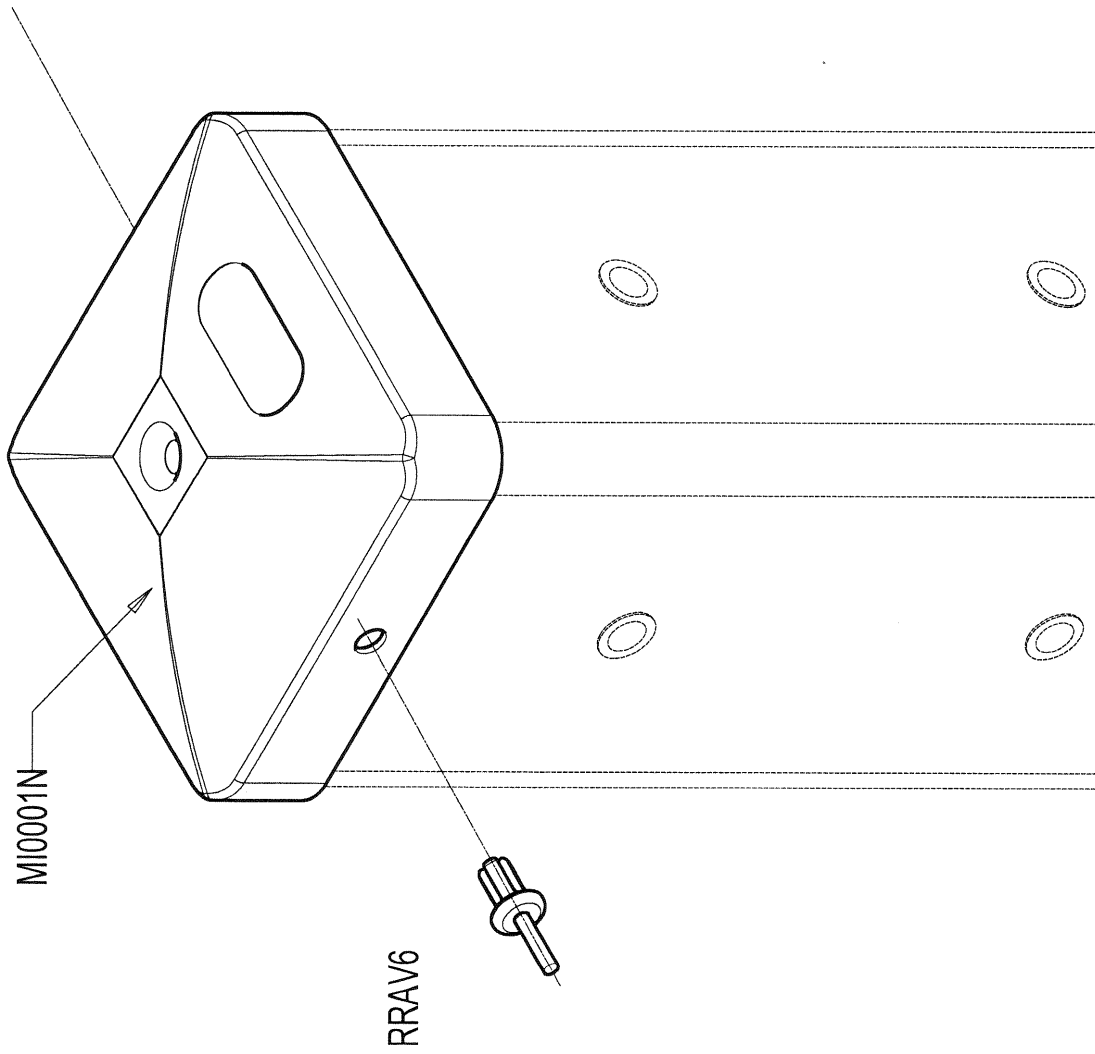
VCBHC10X30I

2



VCBHC8X30I

2



RRAV6

2



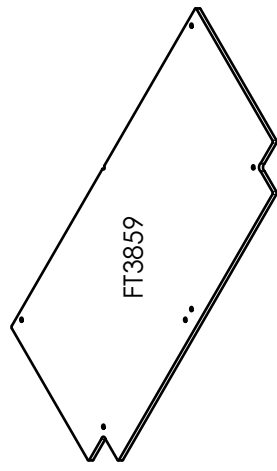
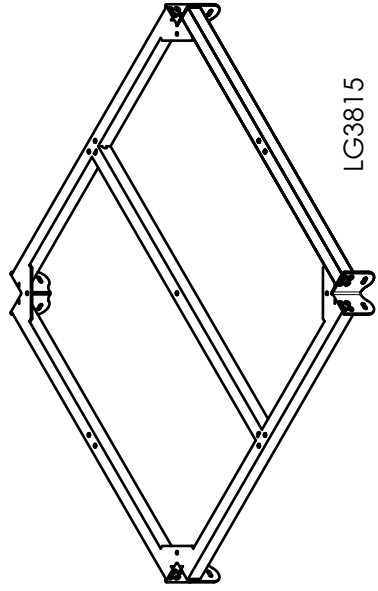
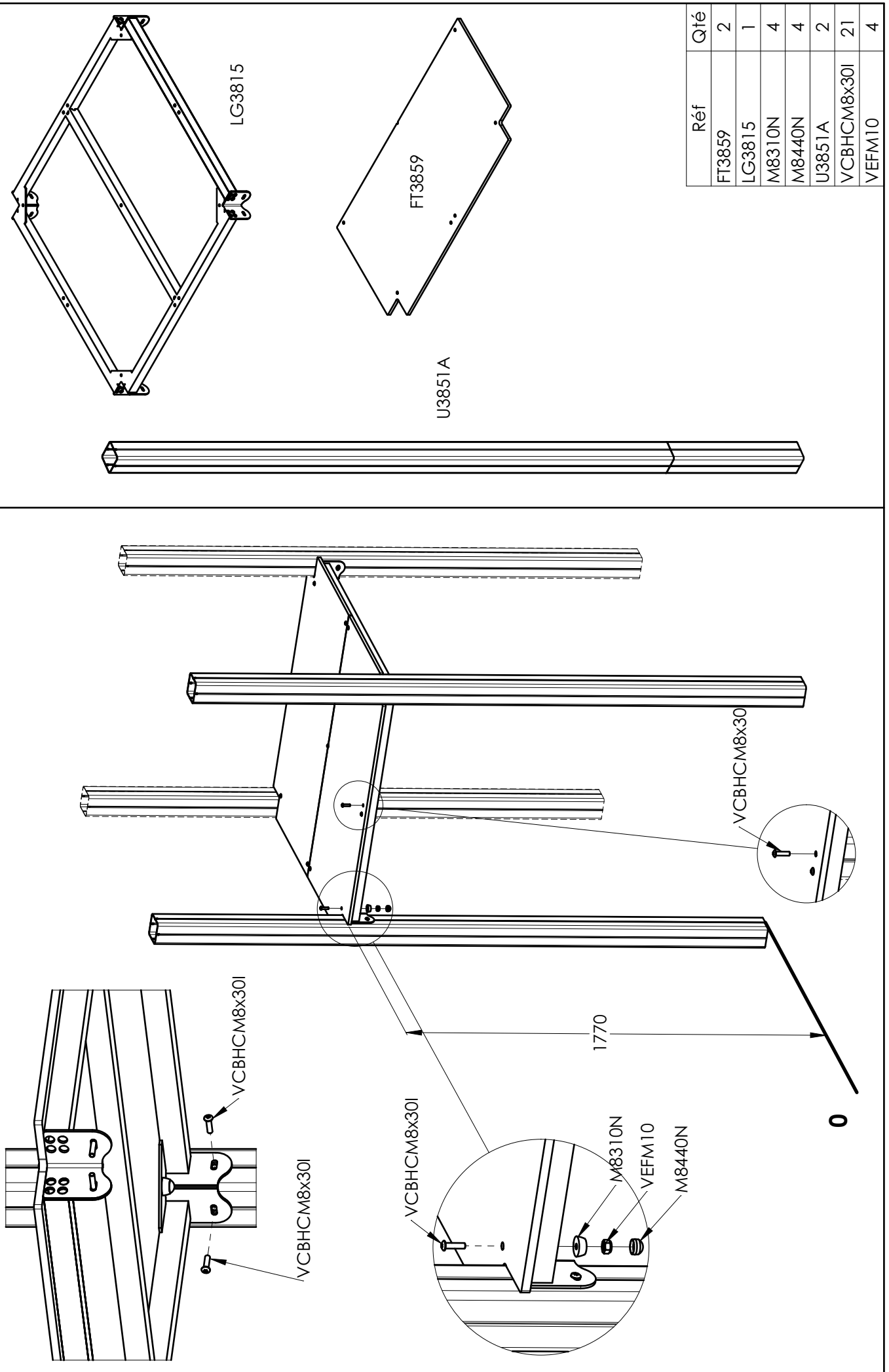
**G38109A**

**HT 1770mm**

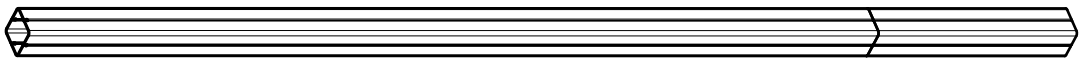
1 / 1

01/10/2017

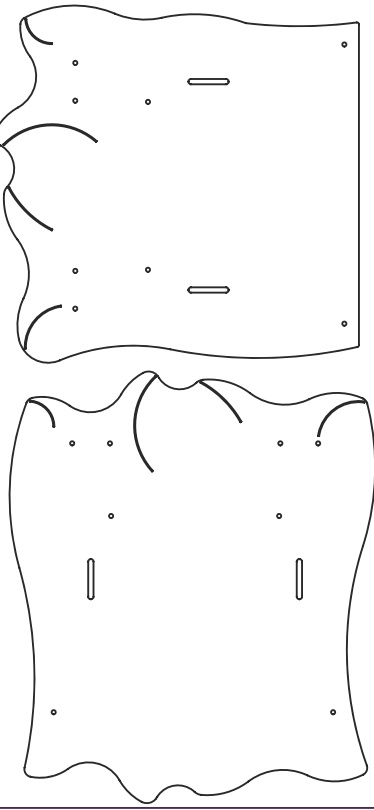
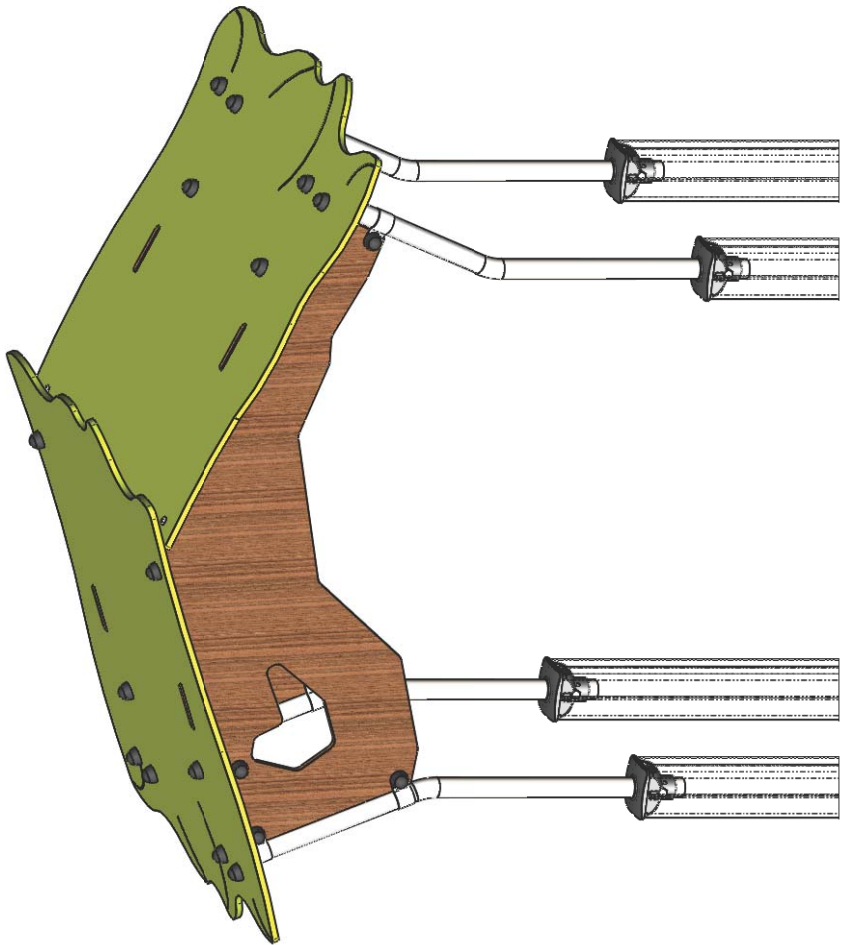
*Proledic*



U3851A

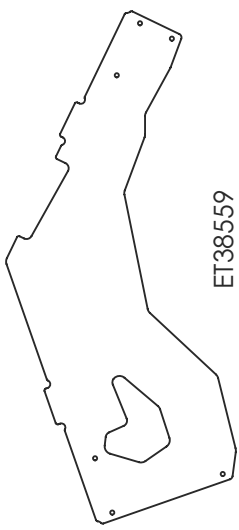


Réf	Qté
FT3859	2
LG3815	1
M8310N	4
M8440N	4
U3851A	2
VCBHCM8x30I	21
VEFM10	4



ET38557

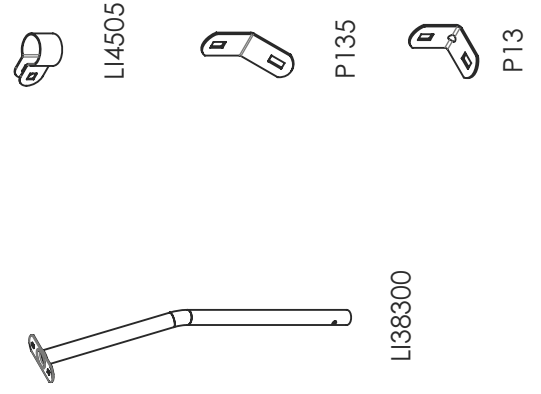
ET38558



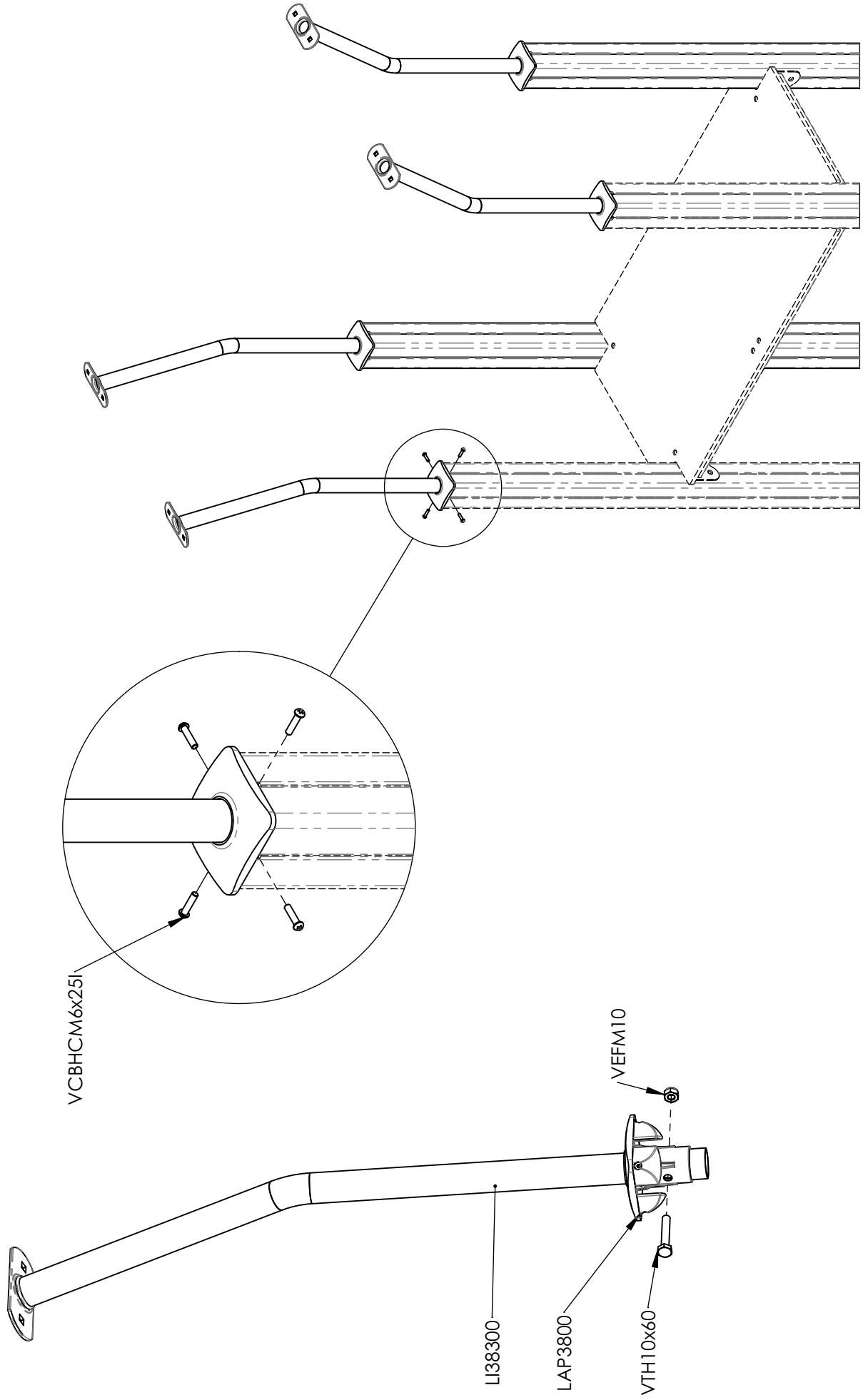
ET38559

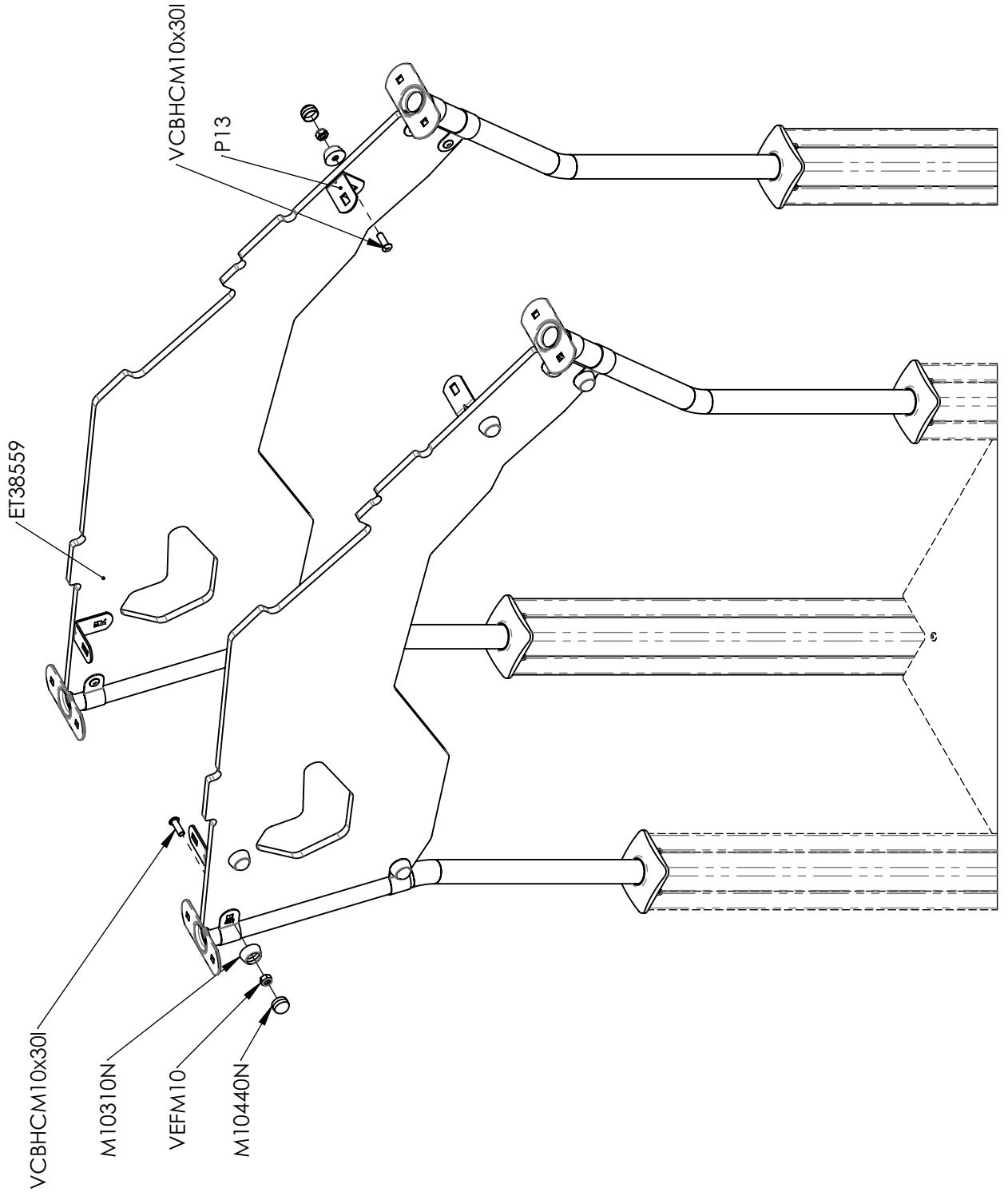


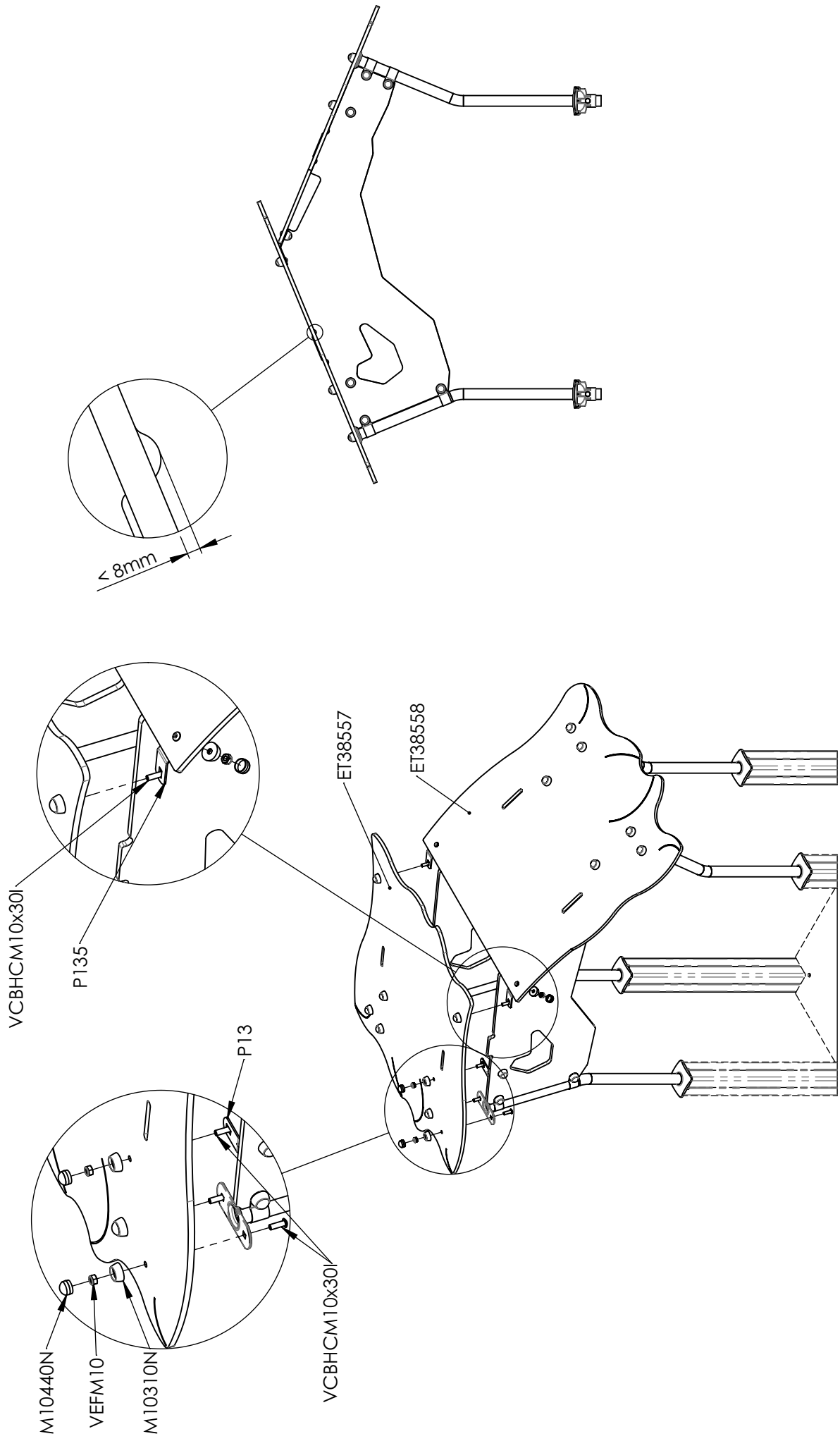
LAP3800

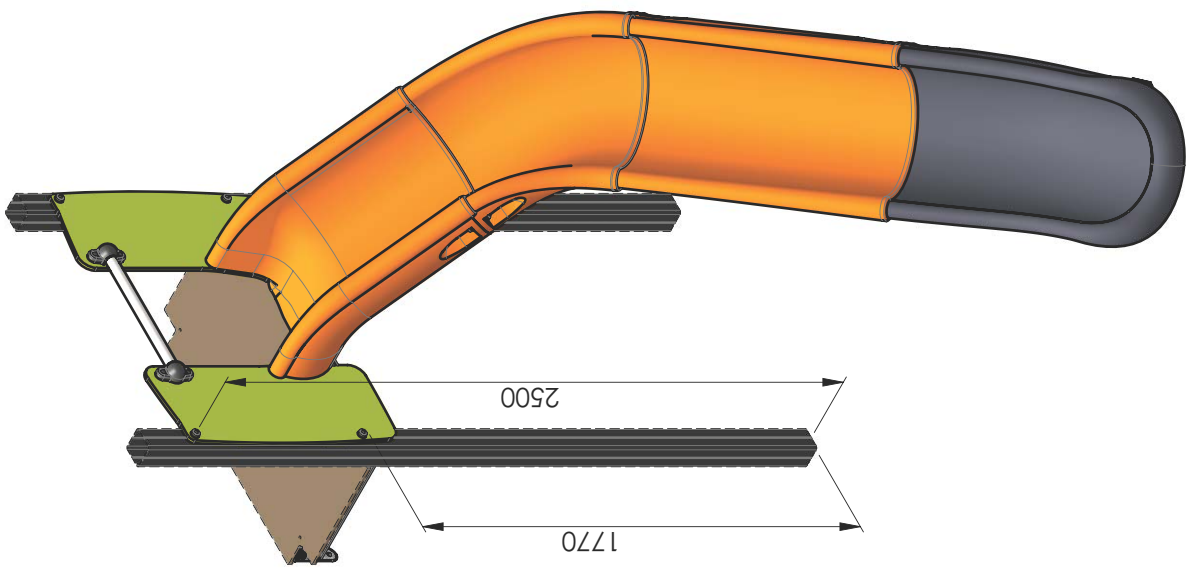


Réf	Qté
ET38557PV	1
ET38558PV	1
ET38559CH	2
LAP3800	4
LI38300	4
M10310N	28
M10440N	28
P13	4
P135	2
VCBHC6x25I	16
VCBHC10x30I	28
VEFM10	32
VTH10x60	4
LI4505	8

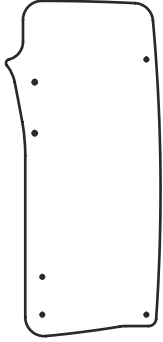




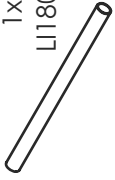




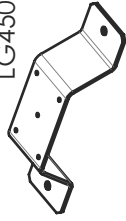
2x  
ET3890PV



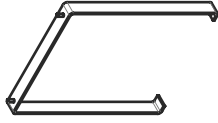
1x  
LI1801



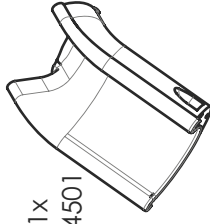
1x  
LG4505



1x  
LZ311



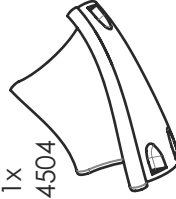
1x  
M4501



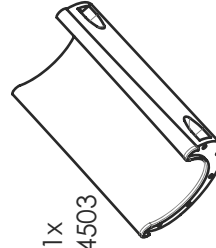
2x  
MI26N



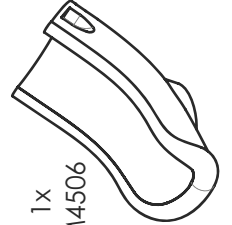
1x  
M4504



1x  
M4503

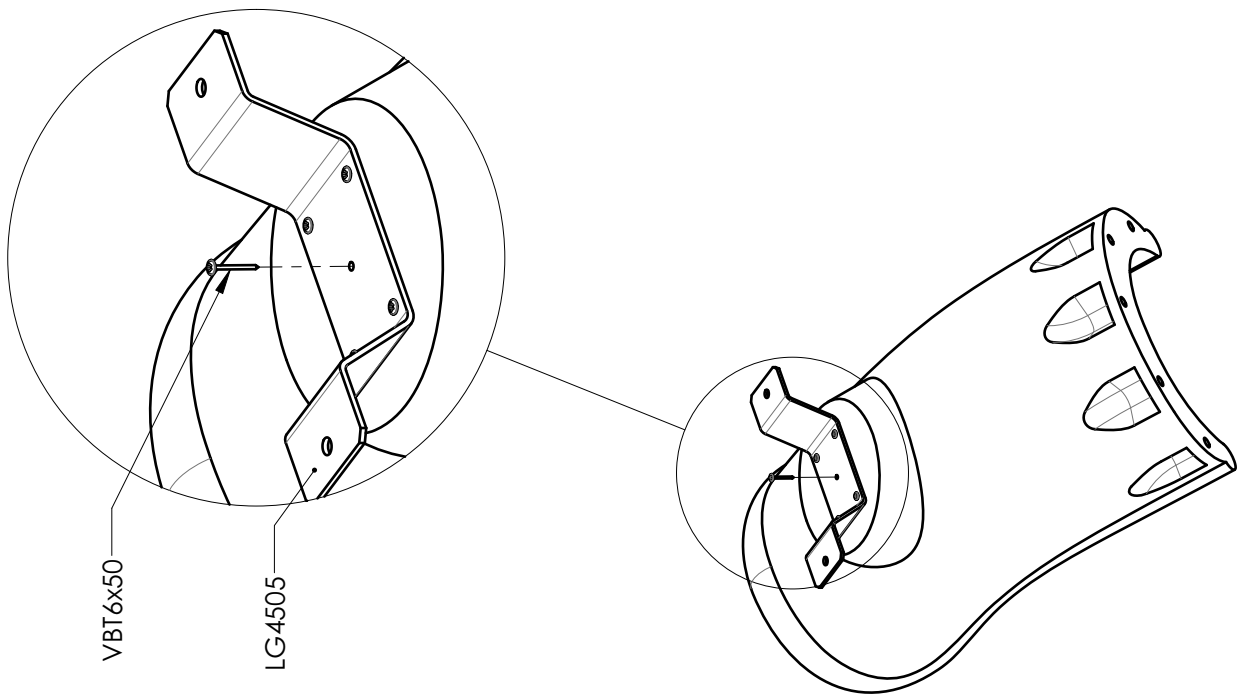


1x  
M4506

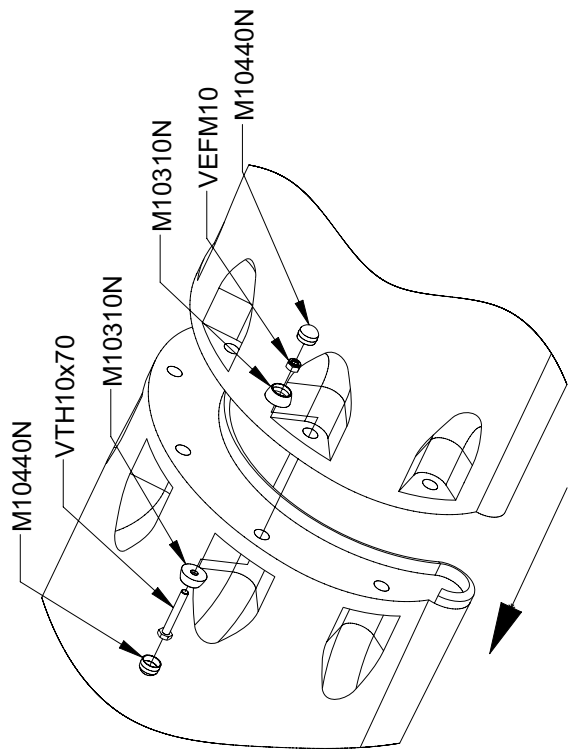
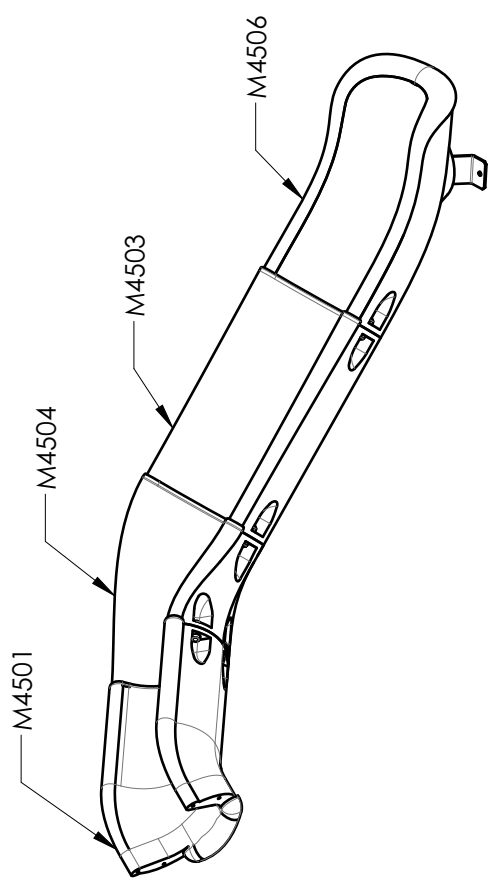


ET3890PV	2
LG4505	1
LI1801	1
LZ311	1
M4501	1
M4503	1
M4504	1
M4506	1
M8310N	4
M8440N	4
M110310N	36
M110440N	40
MI26N	2
VBT6x30	2
VBT6x50	5
VCBHCM10x30I	4
VCBHCM10x40I	4
VEFM10	21
VTH6x30A	4
VTH10x70	15

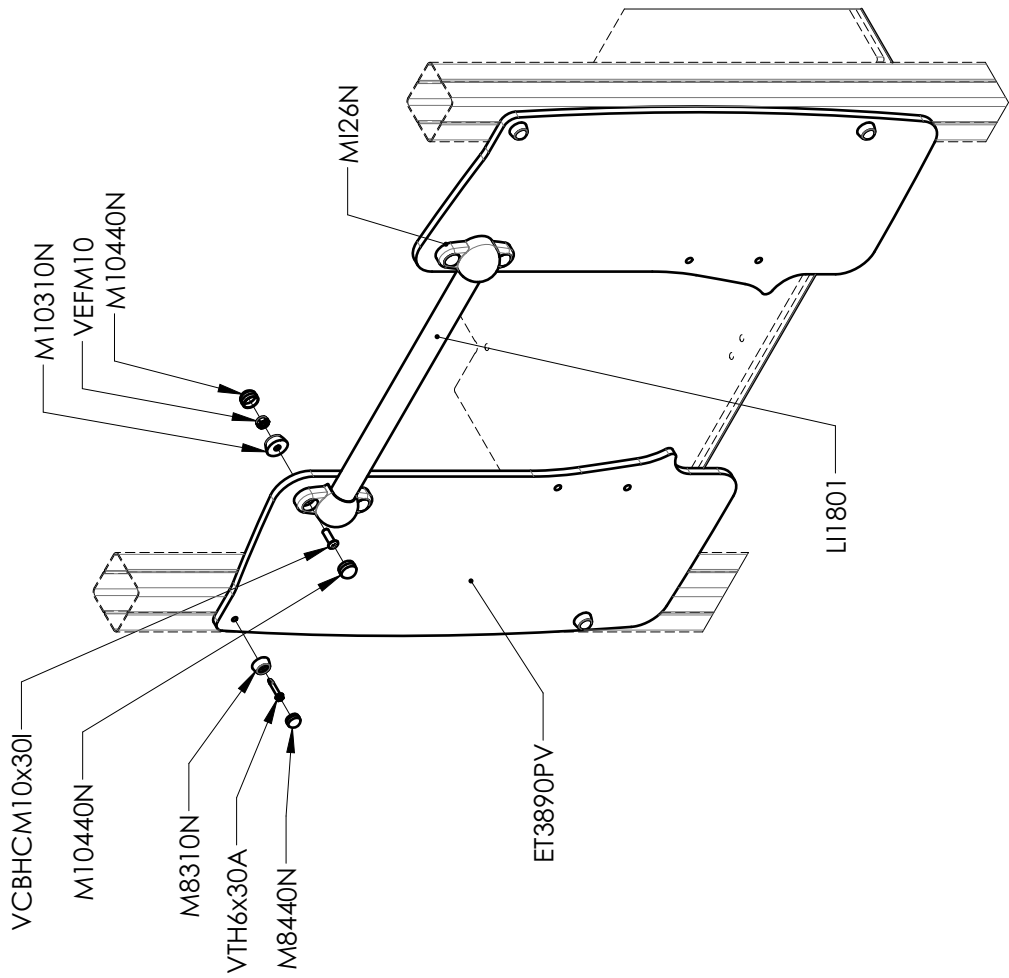
1



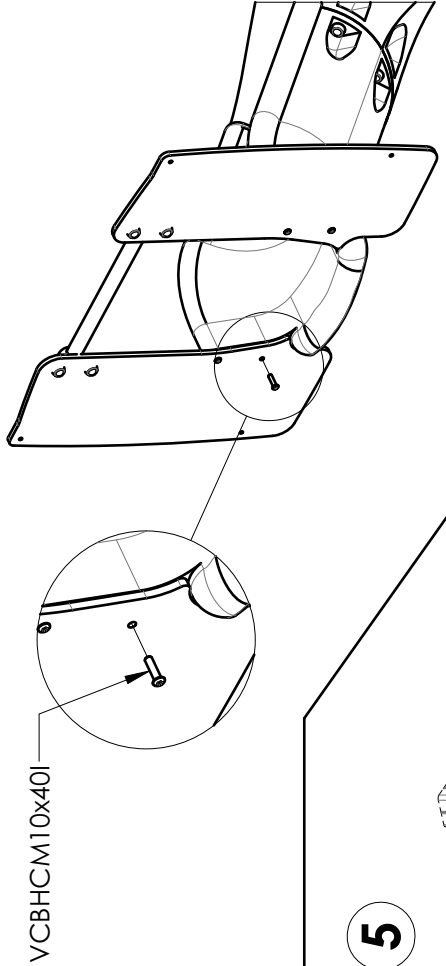
2



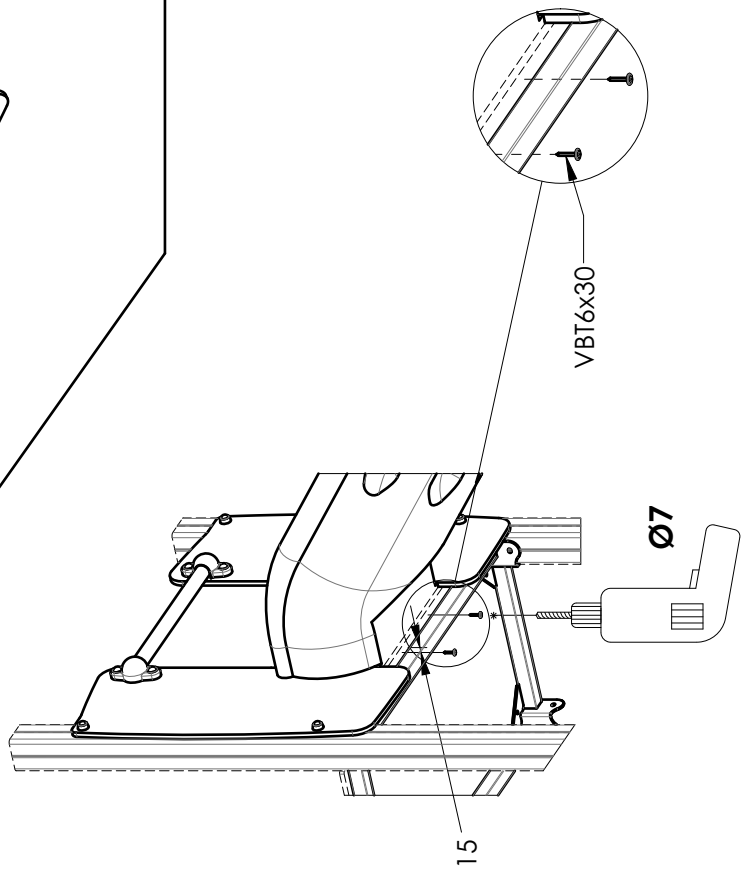
3



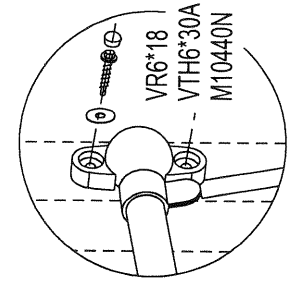
4



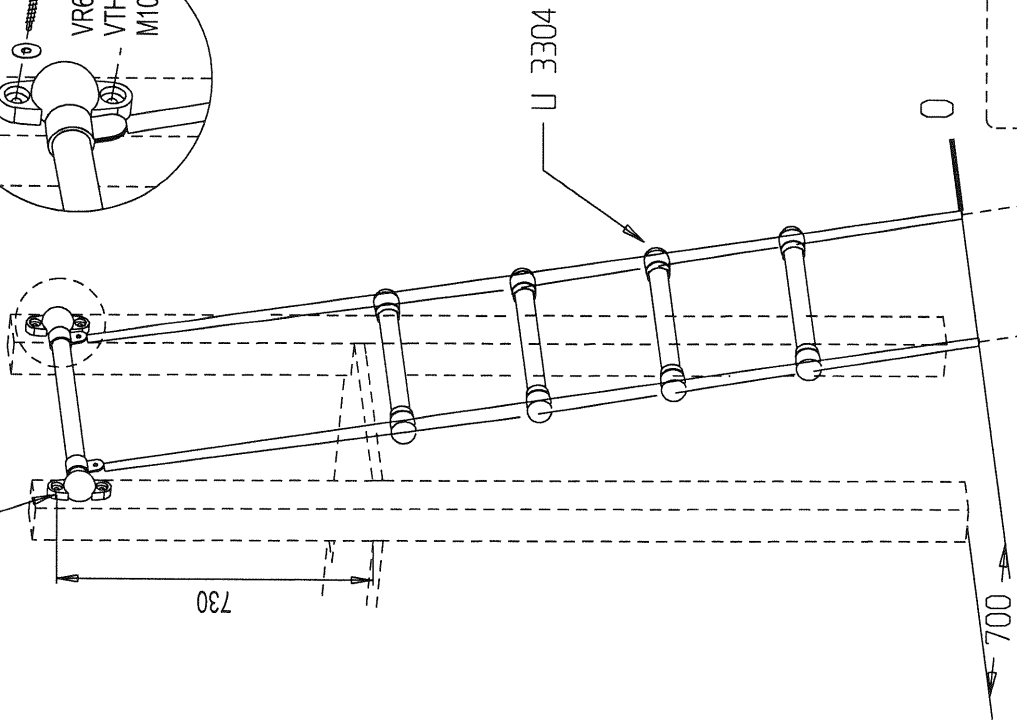
5



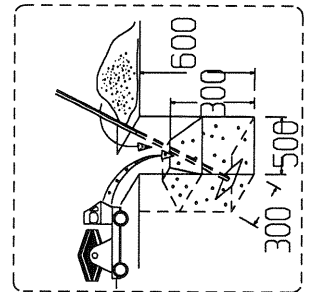
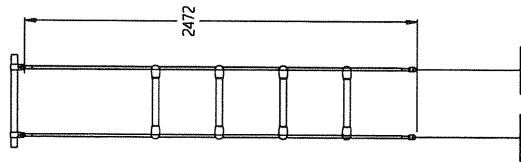




MI26N



U 3304 x 1



	VTH6*30A	4
	M10440N	6
	MI26N	2
	VR6*18	4

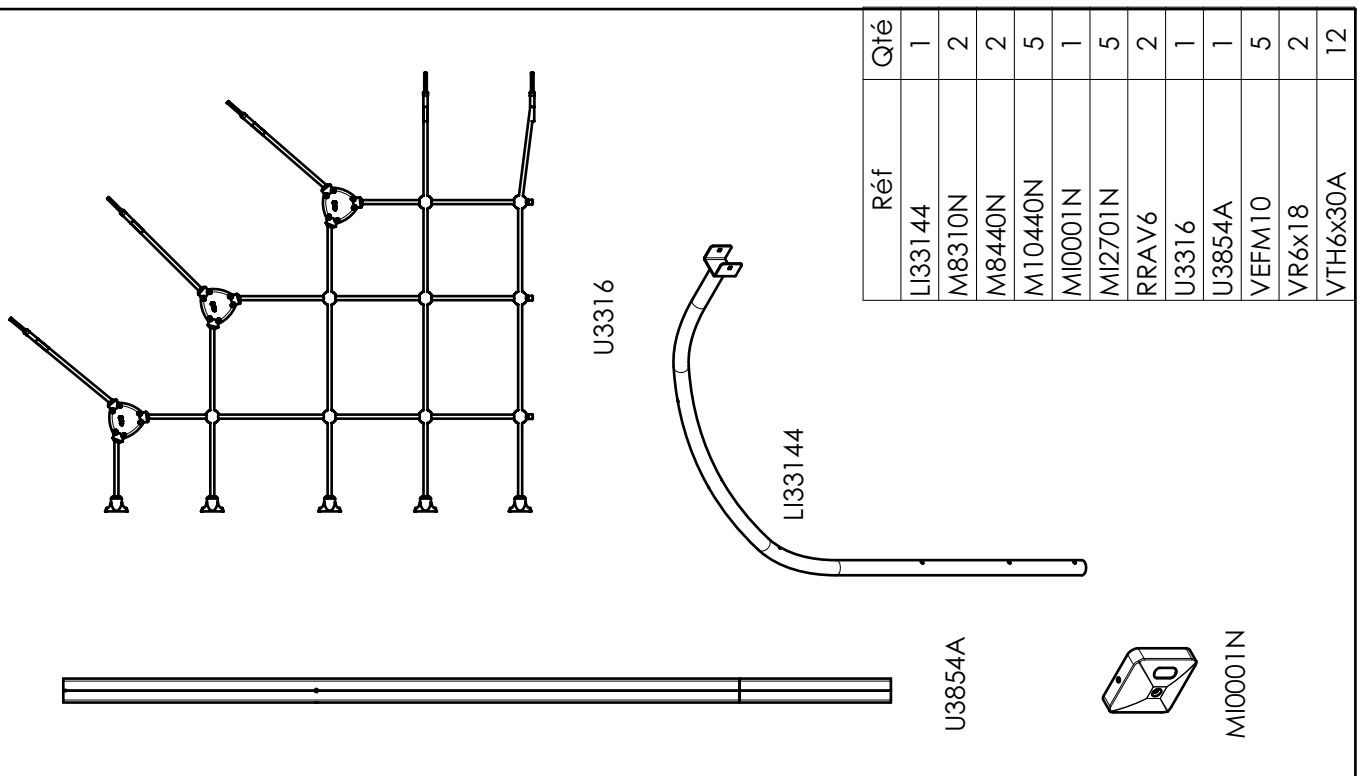
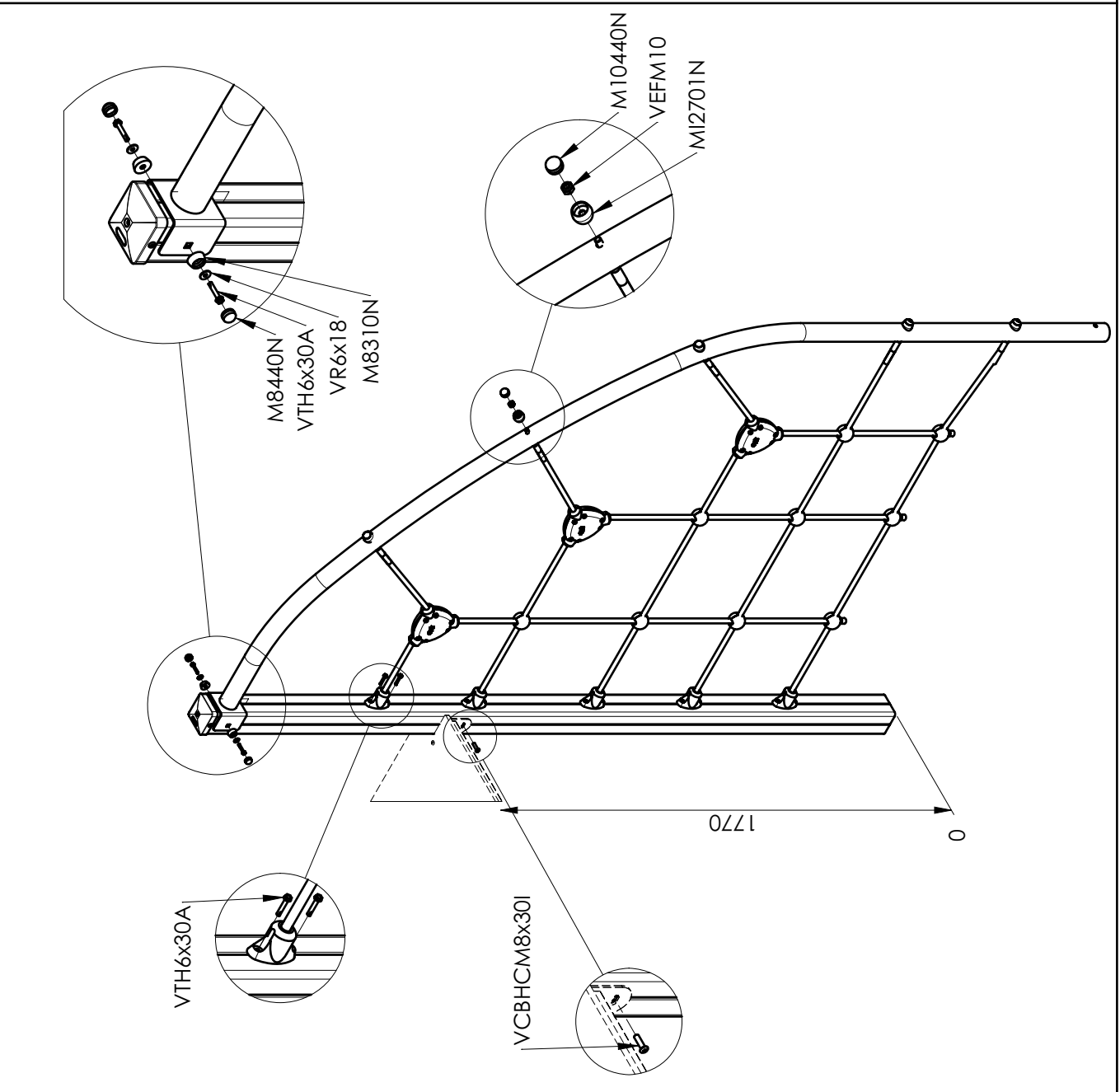
**G38161A**

**HT 1770mm**

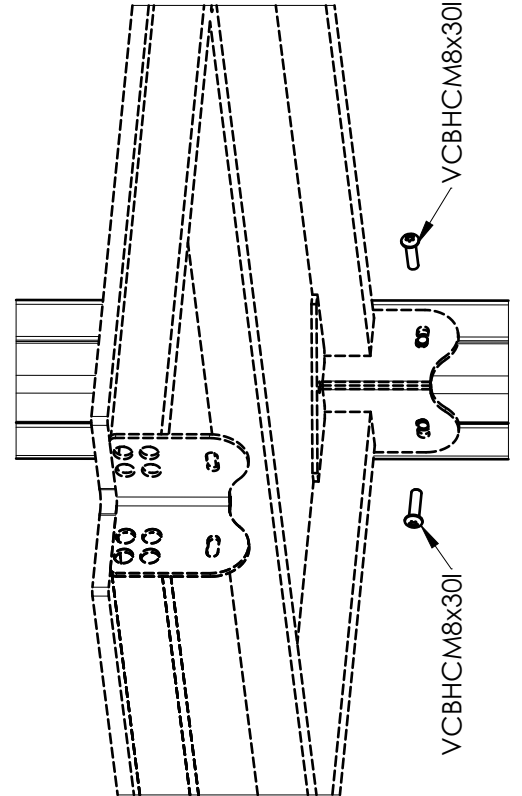
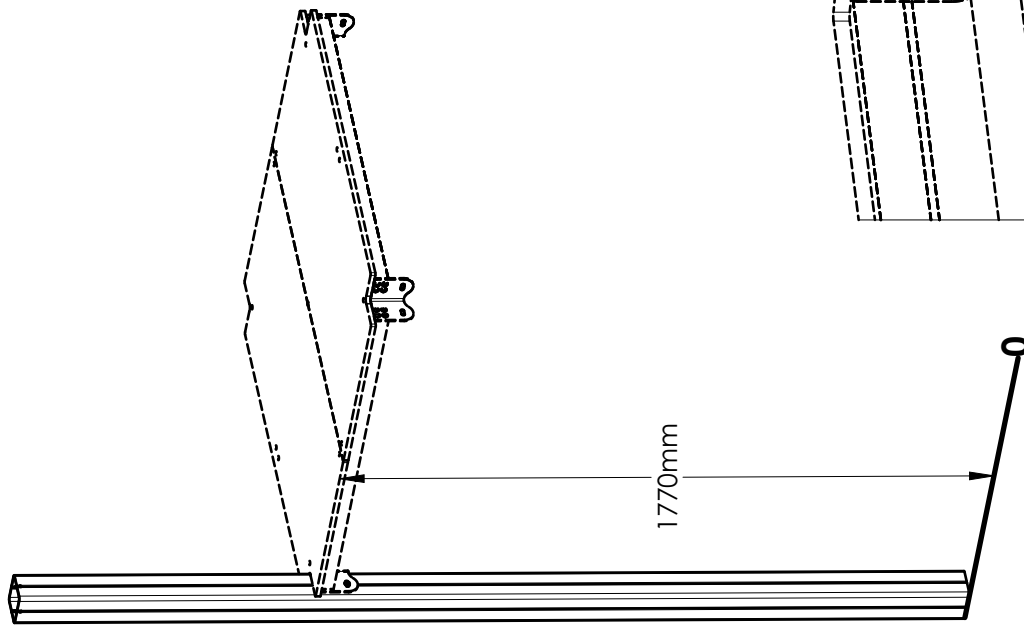
1 / 1

01/10/2017

*Proledic*

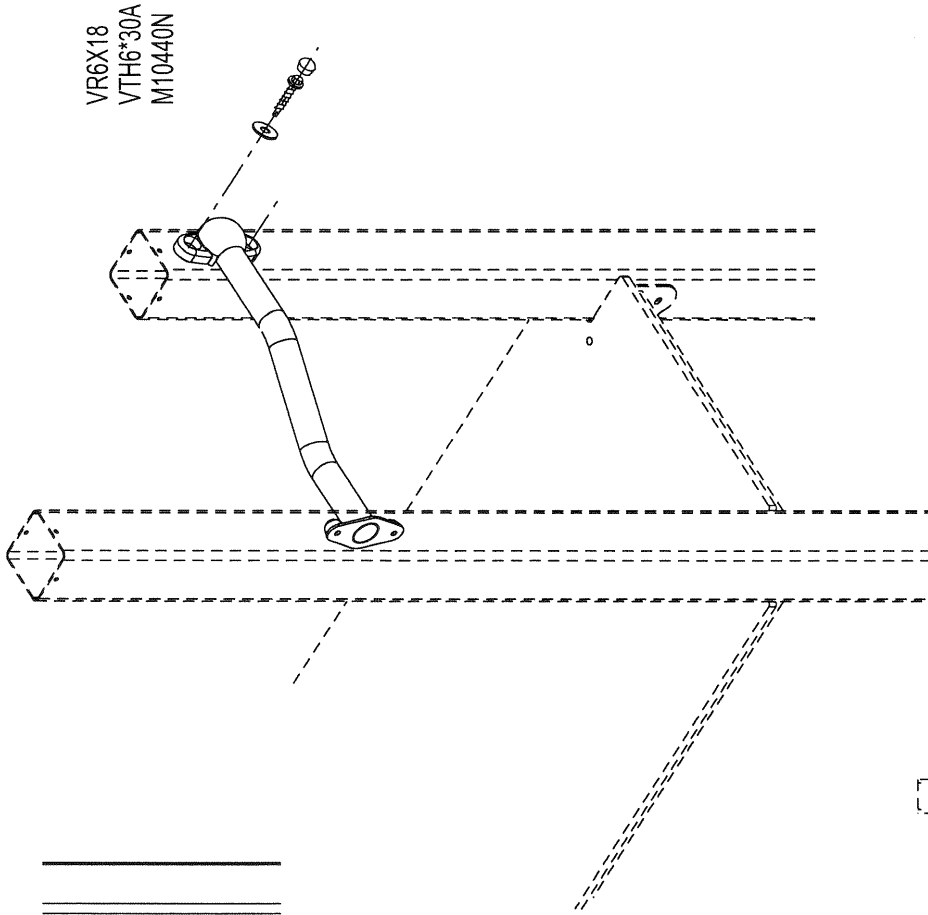
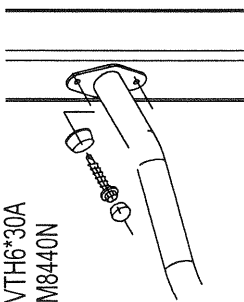


Réf	Qté
LI33144	1
M8310N	2
M8440N	2
M10440N	5
MI0001N	1
MI2701N	5
RRAV6	2
U3316	1
U3854A	1
VEFM10	5
VR6x18	2
VTH6x30A	12

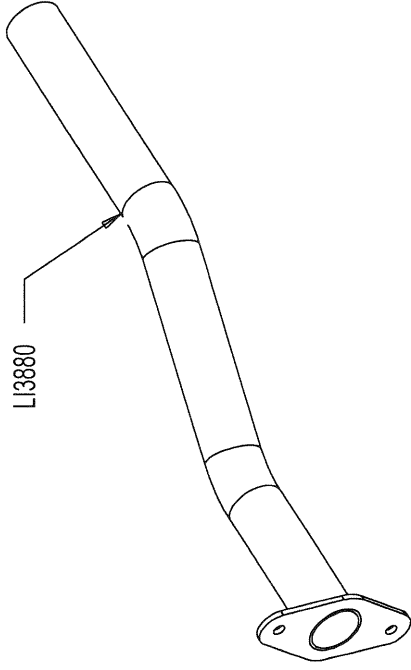


Réf	Qté
VCBHCM8x30I	2
U3851A	1

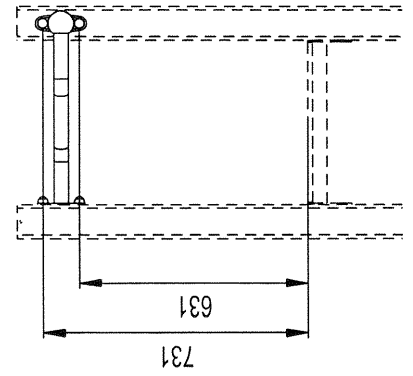
M8310N  
VTH6\*30A  
M8440N



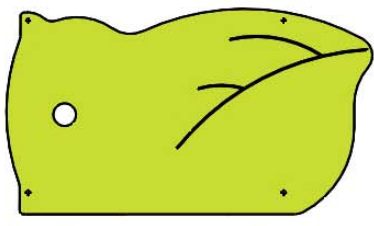
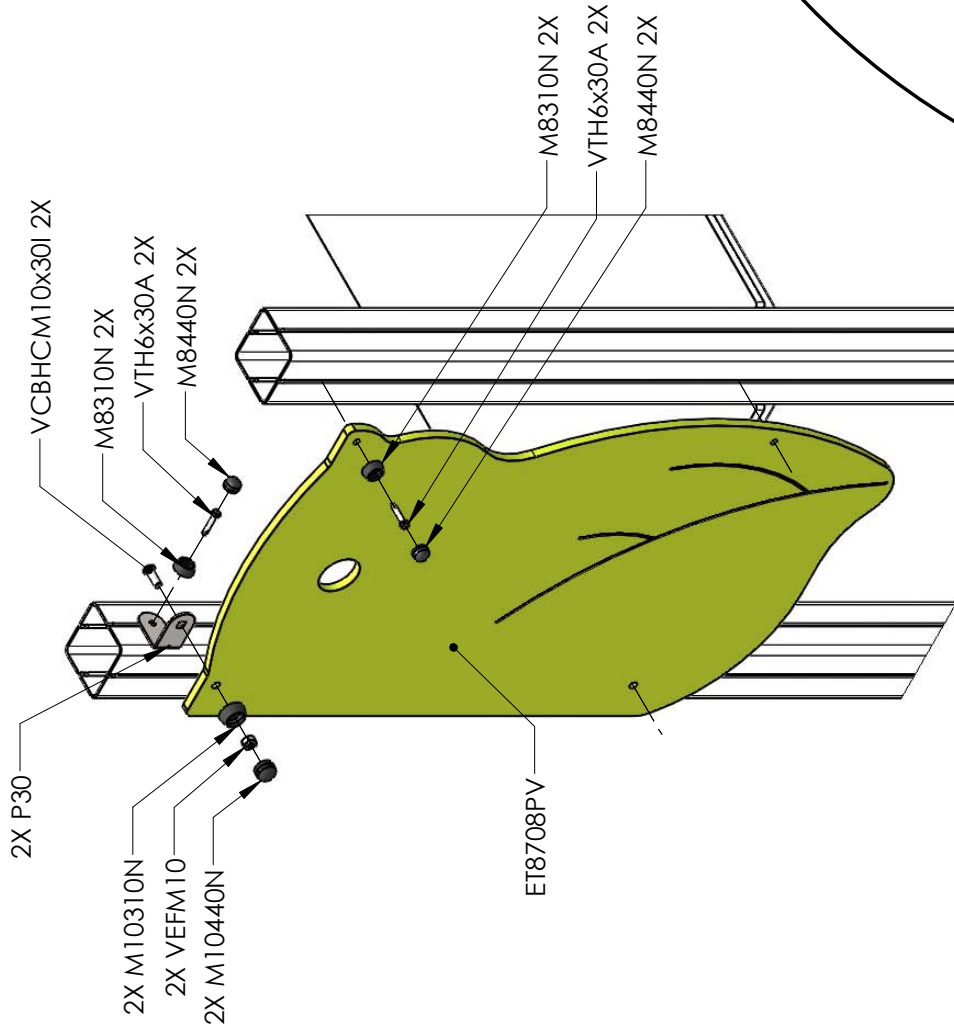
L13880



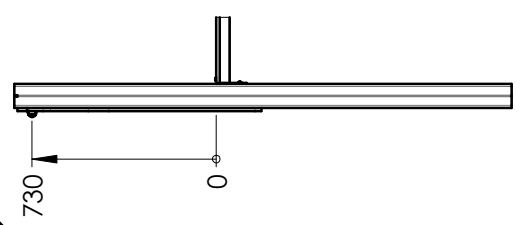
M126N



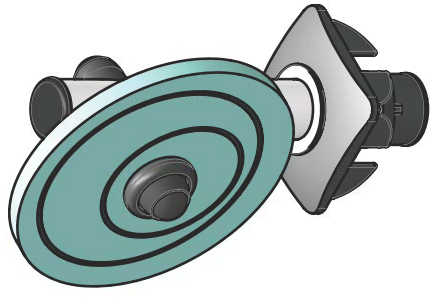
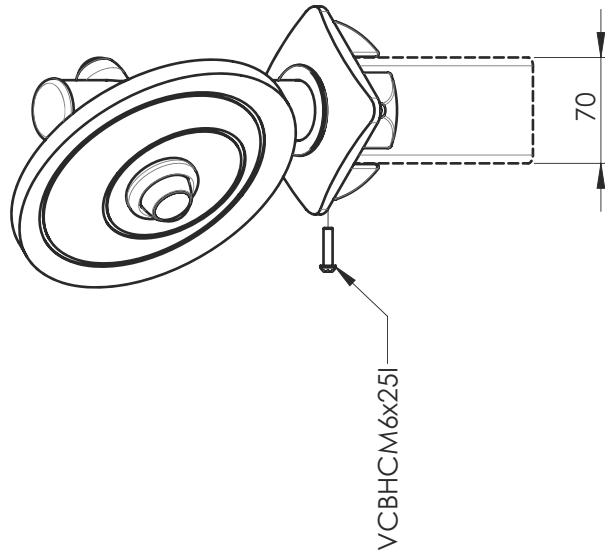
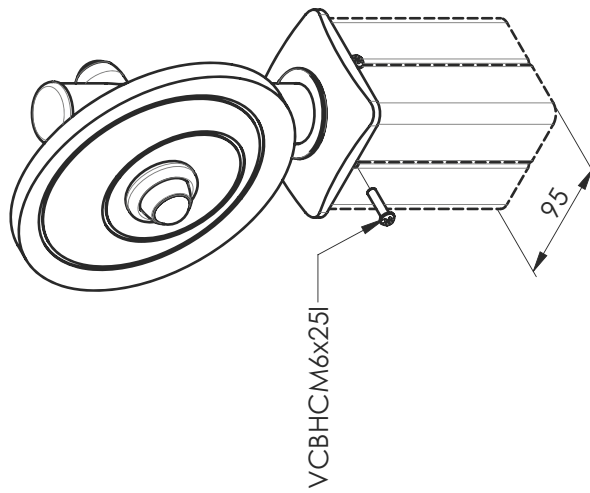
	VR6X18	2
	VTH6X30A	4
	M8440N	2
	M8310N	2
	M10440N	2



ET8708PV



Réf	Qté
ET8708PV	1
M8310N	4
M8440N	4
M10310N	2
M10440N	2
P30	2
VCBHCM10x30I	2
VEFM10	2
VTH6x30A	4



U3841

Réf	Qté
U3841	1
VCBHCM6x25I	4

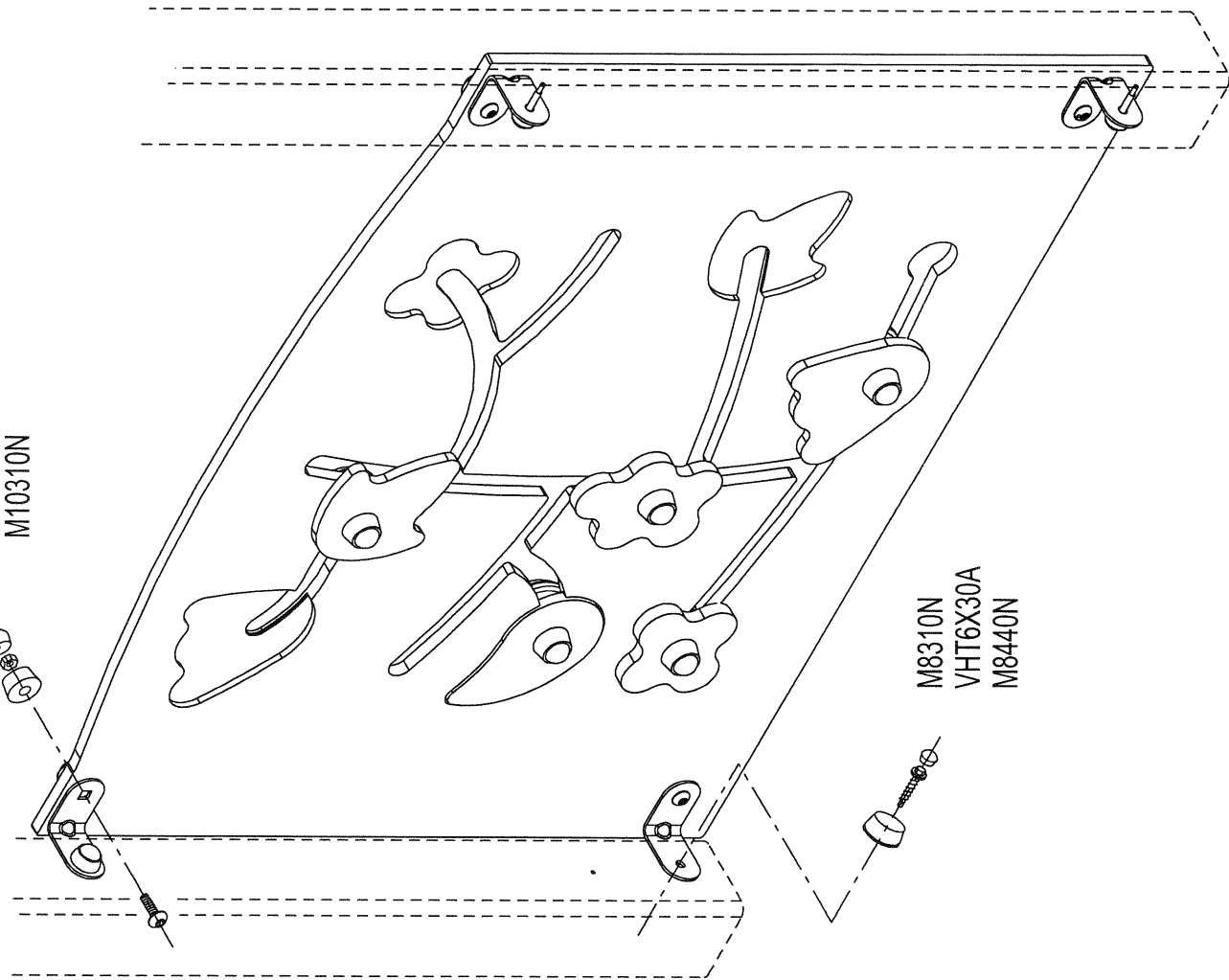
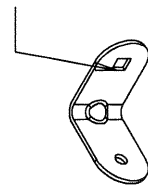
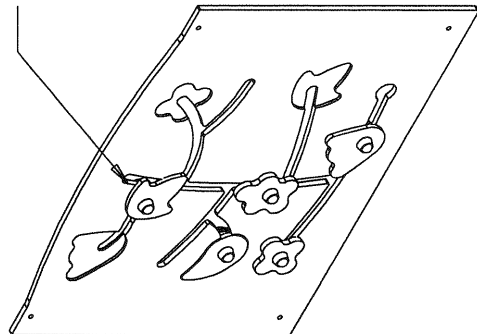
M10440N  
VEFM10  
M10310N

VCBHC10X30I

M8310N  
VHT6X30A  
M8440N

U3843

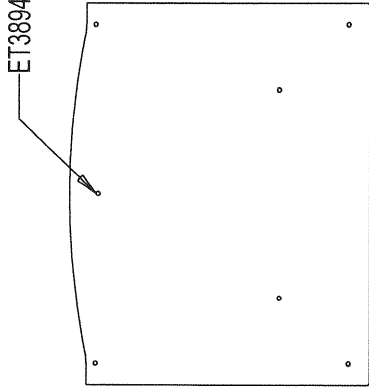
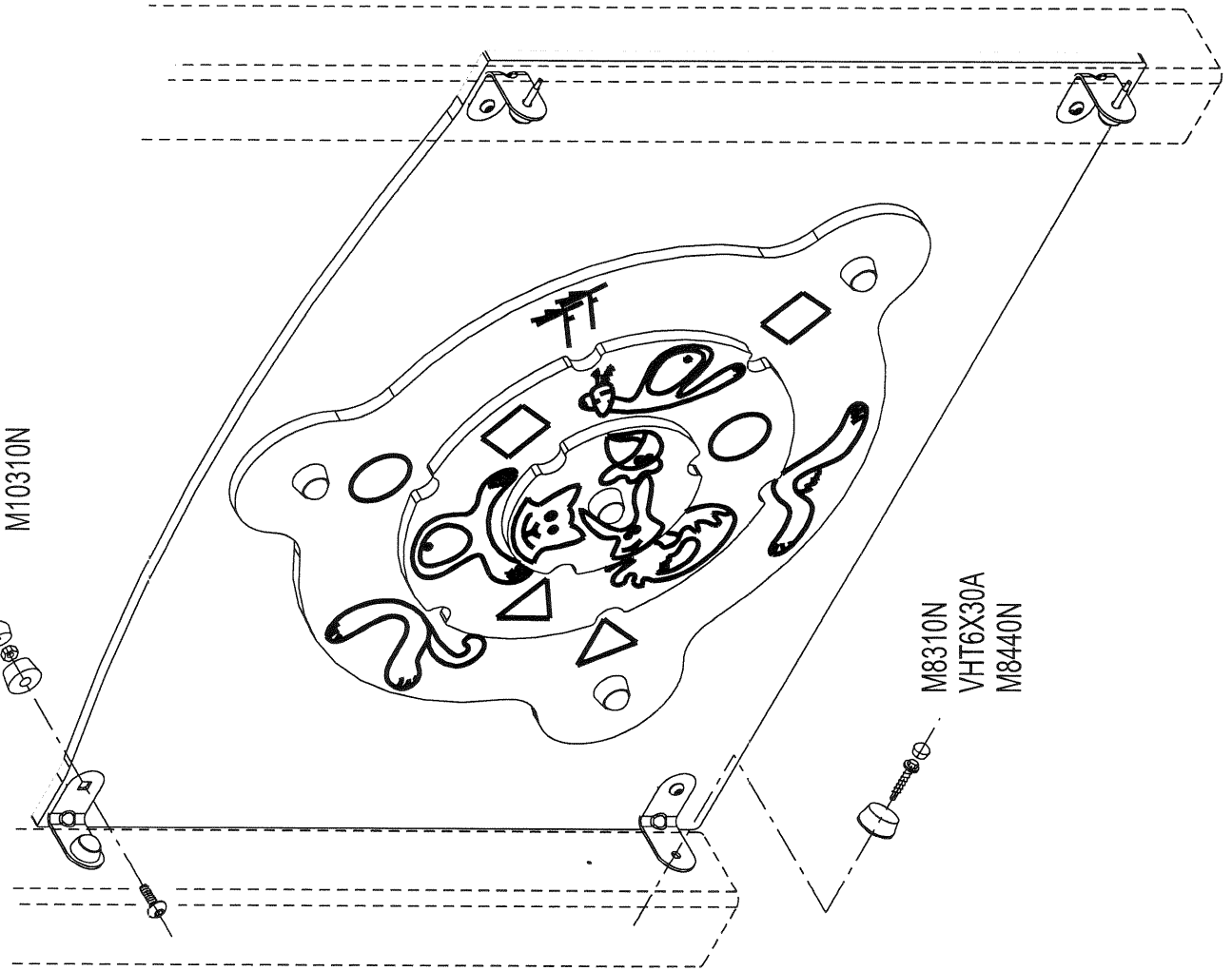
P30  
x4



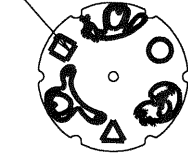
	VCBHC10x30I	4
	M8440N	4
	M8310N	4
	M10440N	4
	M10310N	4
	VEFM10	4
	VHT6X30A	4

M10440N  
VEFM10  
M10310N

VCBHC10X30I



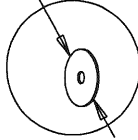
ET3926-G



ET3925-G

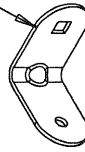


∅100



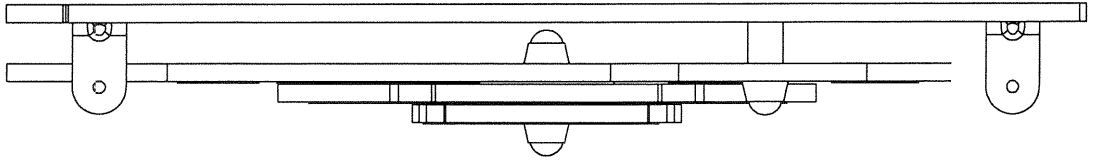
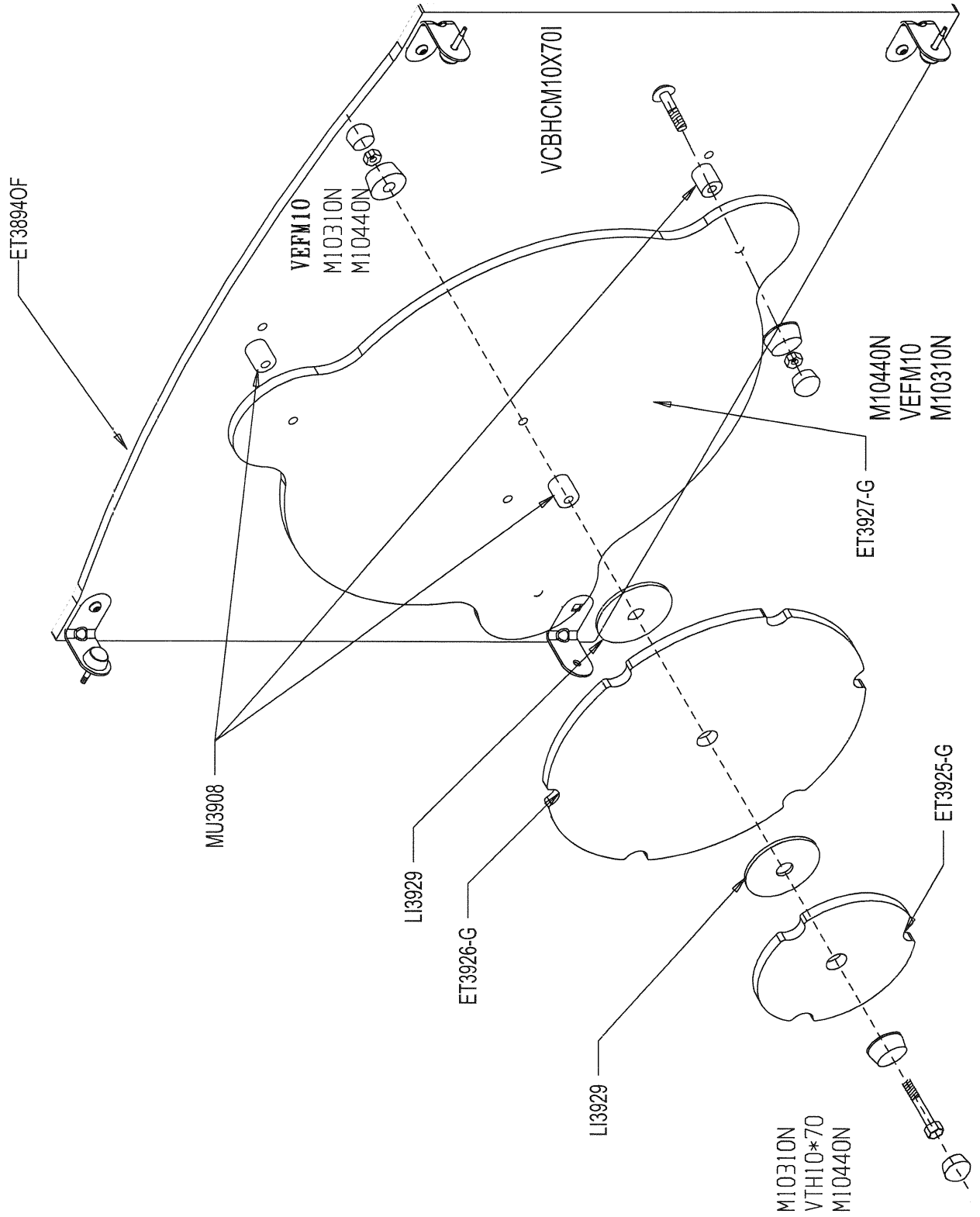
LI3929 x2

P30  
x4



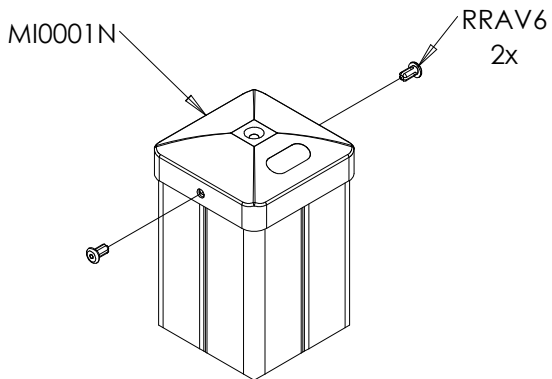
	VCBHC10x70I	3
	VTH 10x70	1
	MJ 3908	4
	VCBHC10x30I	4
	M8440N	4
	M8310N	4
	M10440N	9
	M10310N	9
	VEFM10	8
	VTH6X30A	4



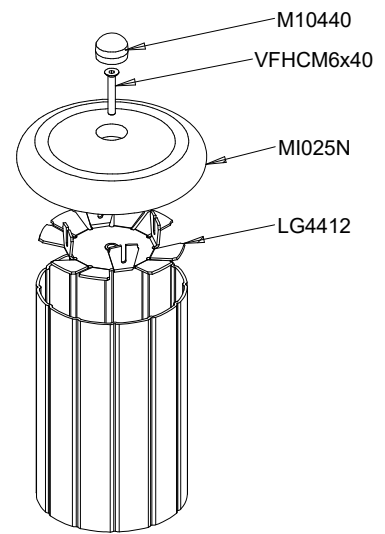




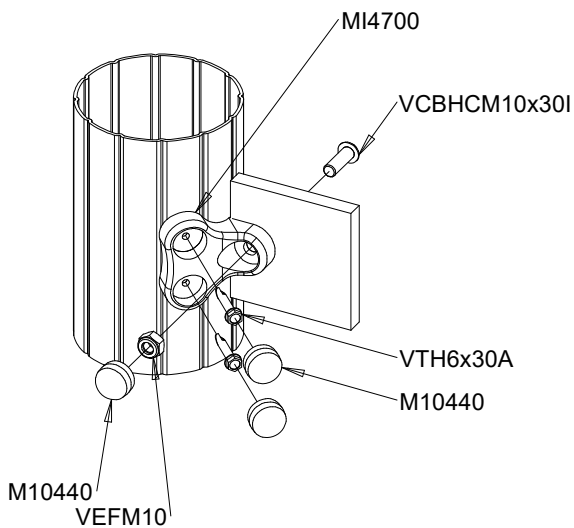
MI0001N



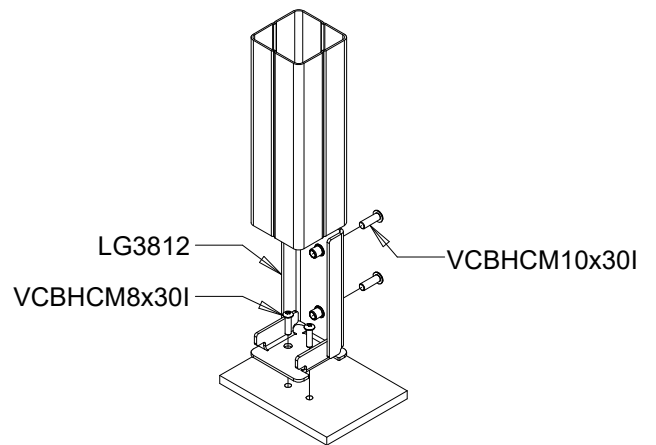
MI025N



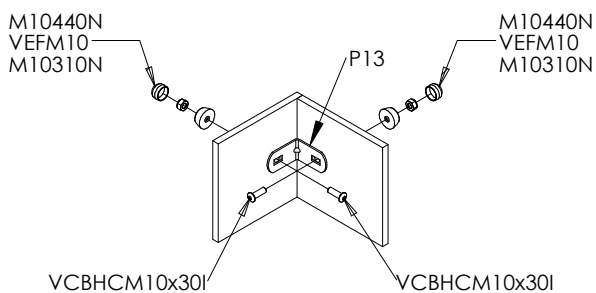
MI4700



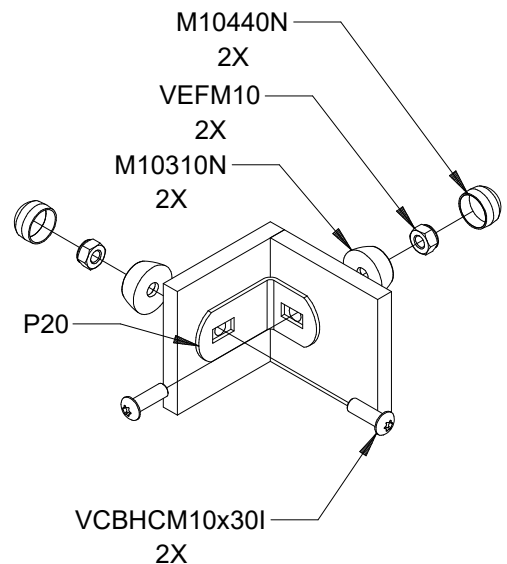
LG3812



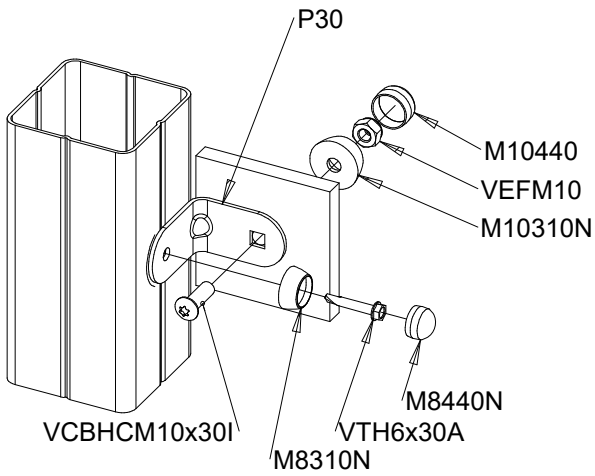
P13



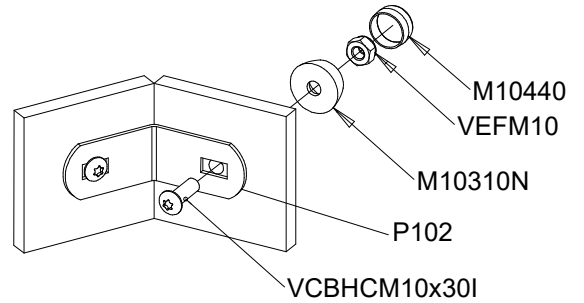
P20



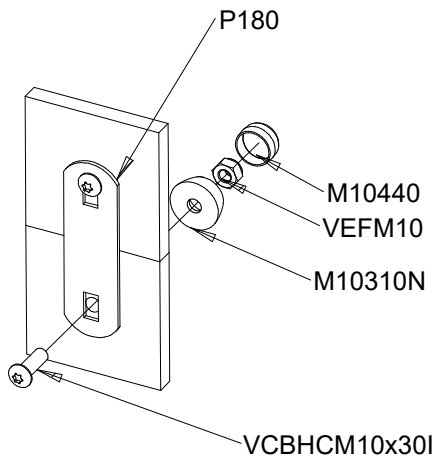
P30



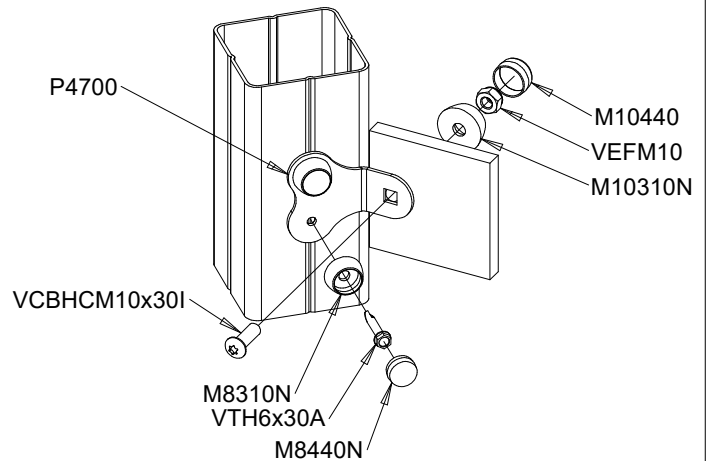
P102



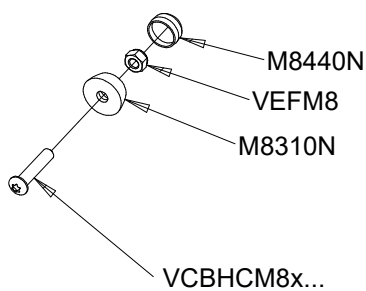
P180



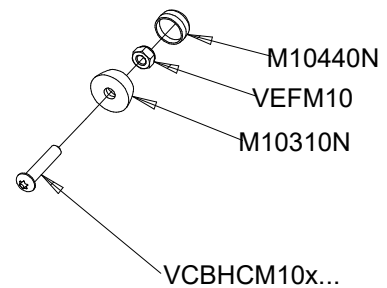
P4700



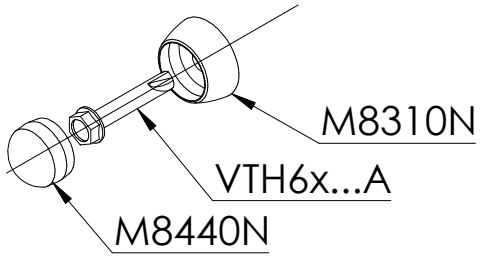
VCBHCM8x...



VCBHCM10x...



VTH6x30A



4x  
LGP9114



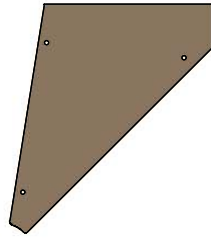
1x  
LGP9117



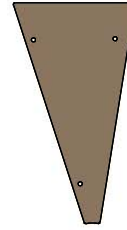
1x  
U2650



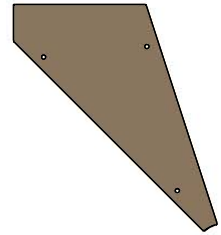
2x  
FT47173



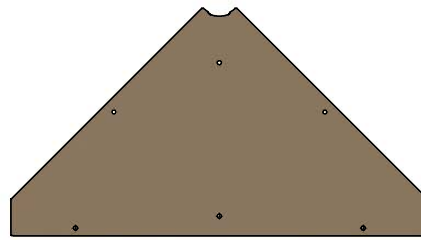
2x  
FT47174



2x  
FT47175



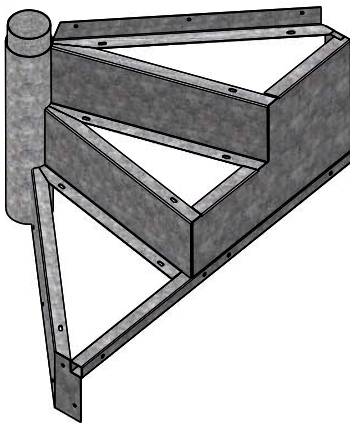
2x  
FT47176



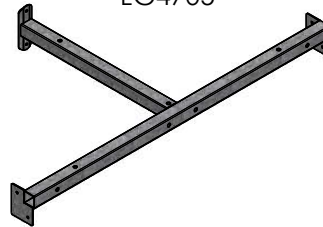
4x  
LI4769



2x  
LG4711



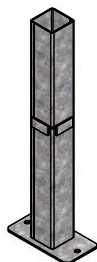
2x  
LG4705



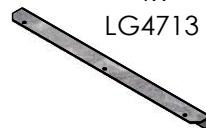
1x  
LG4708



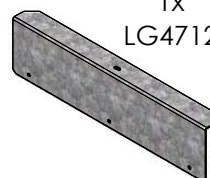
4x  
LG4709



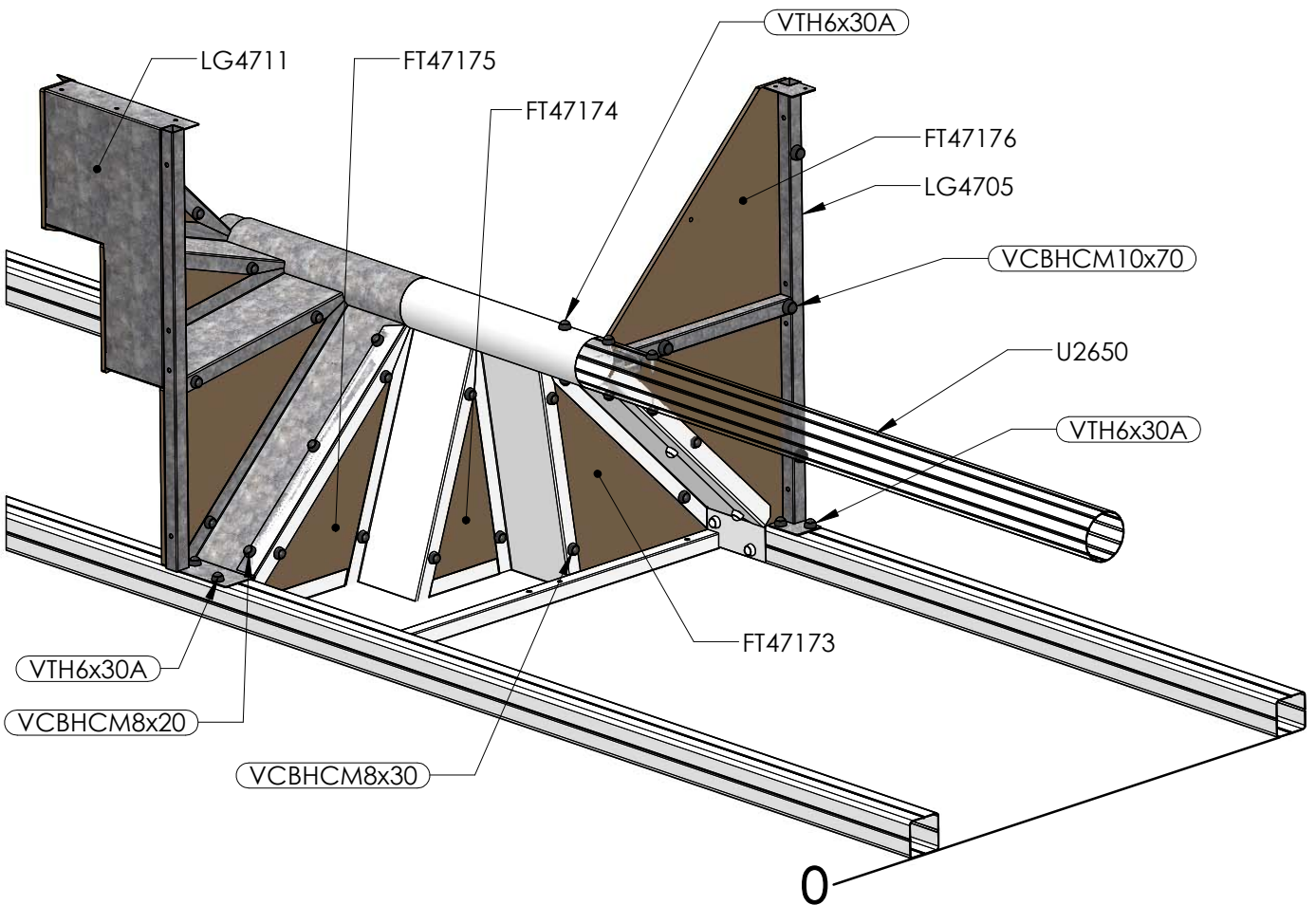
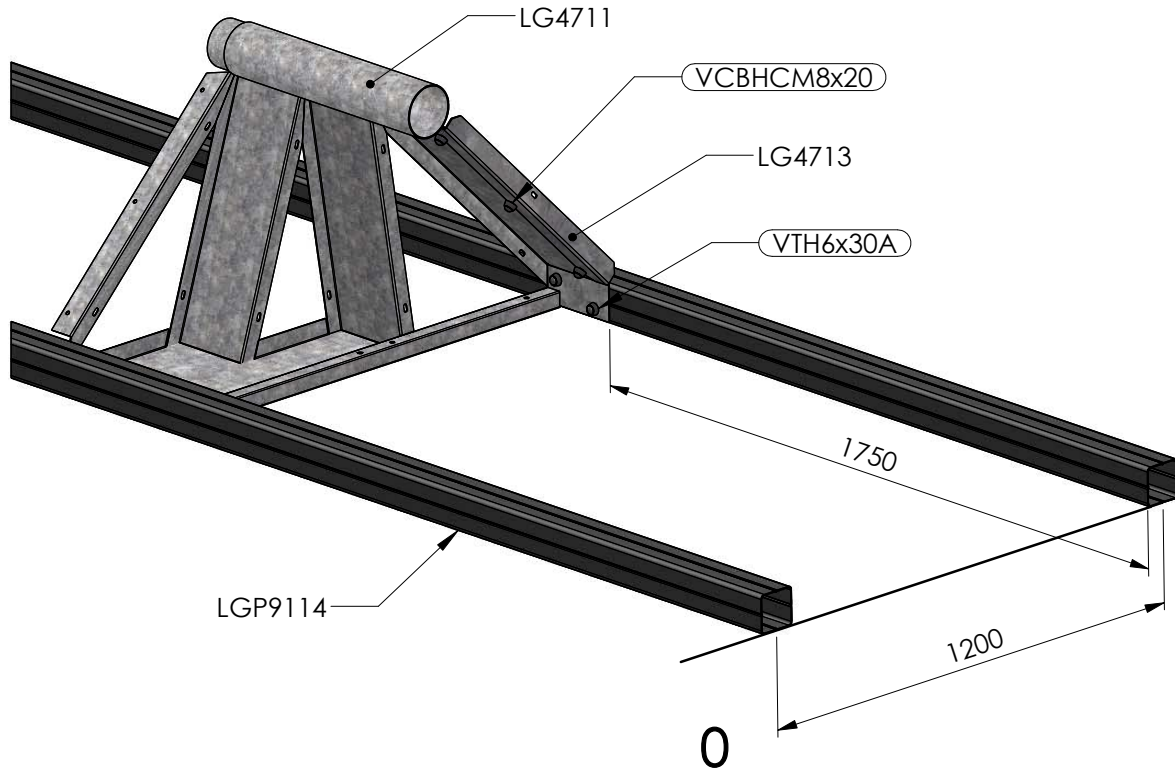
1x  
LG4713

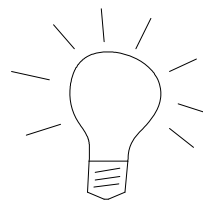
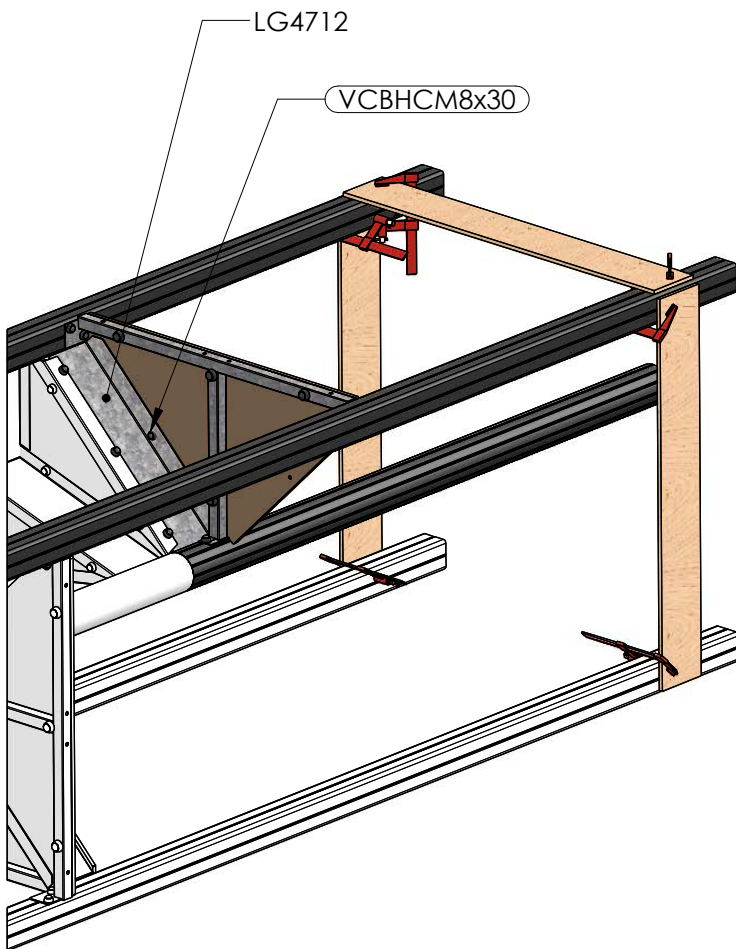
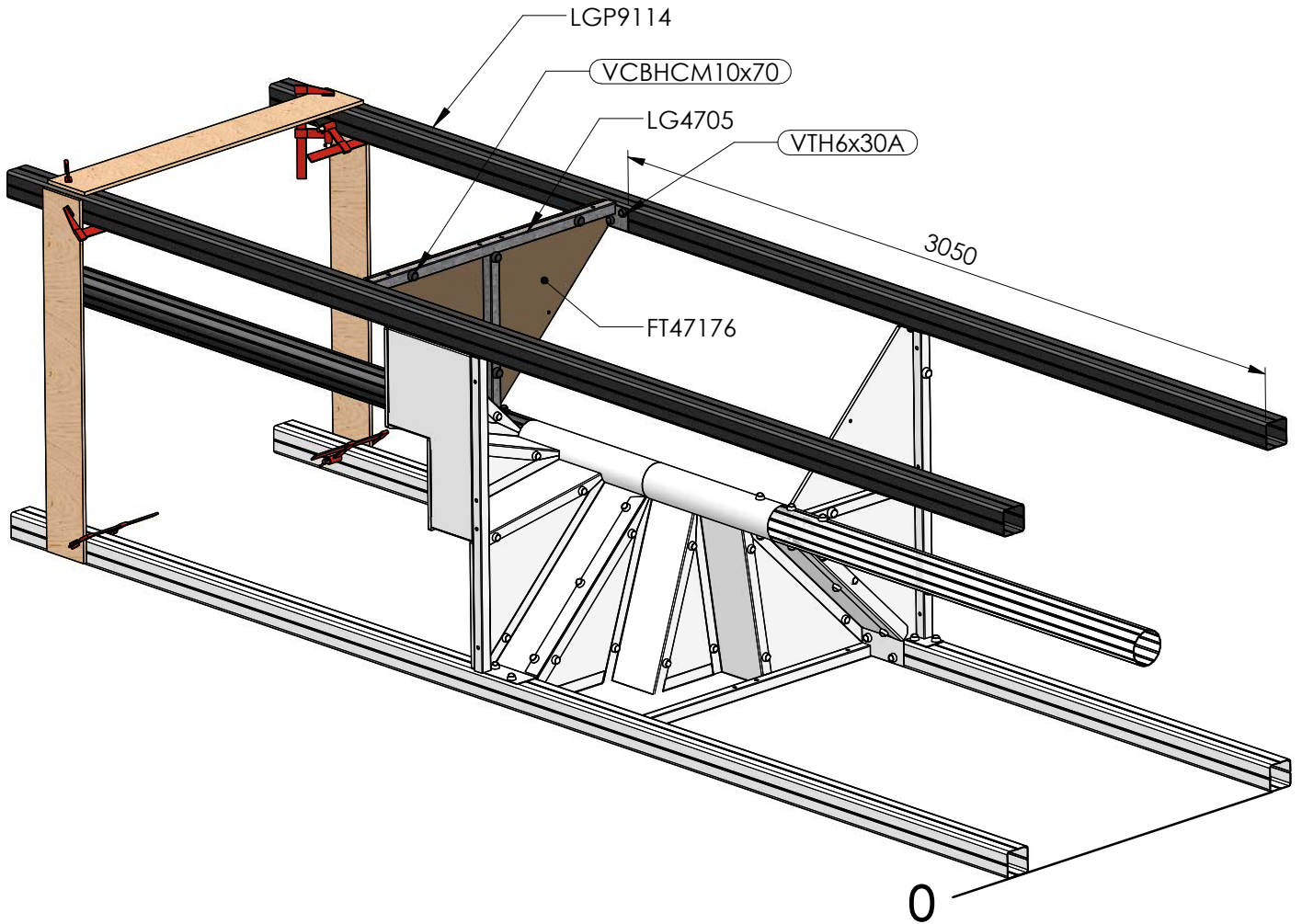


1x  
LG4712

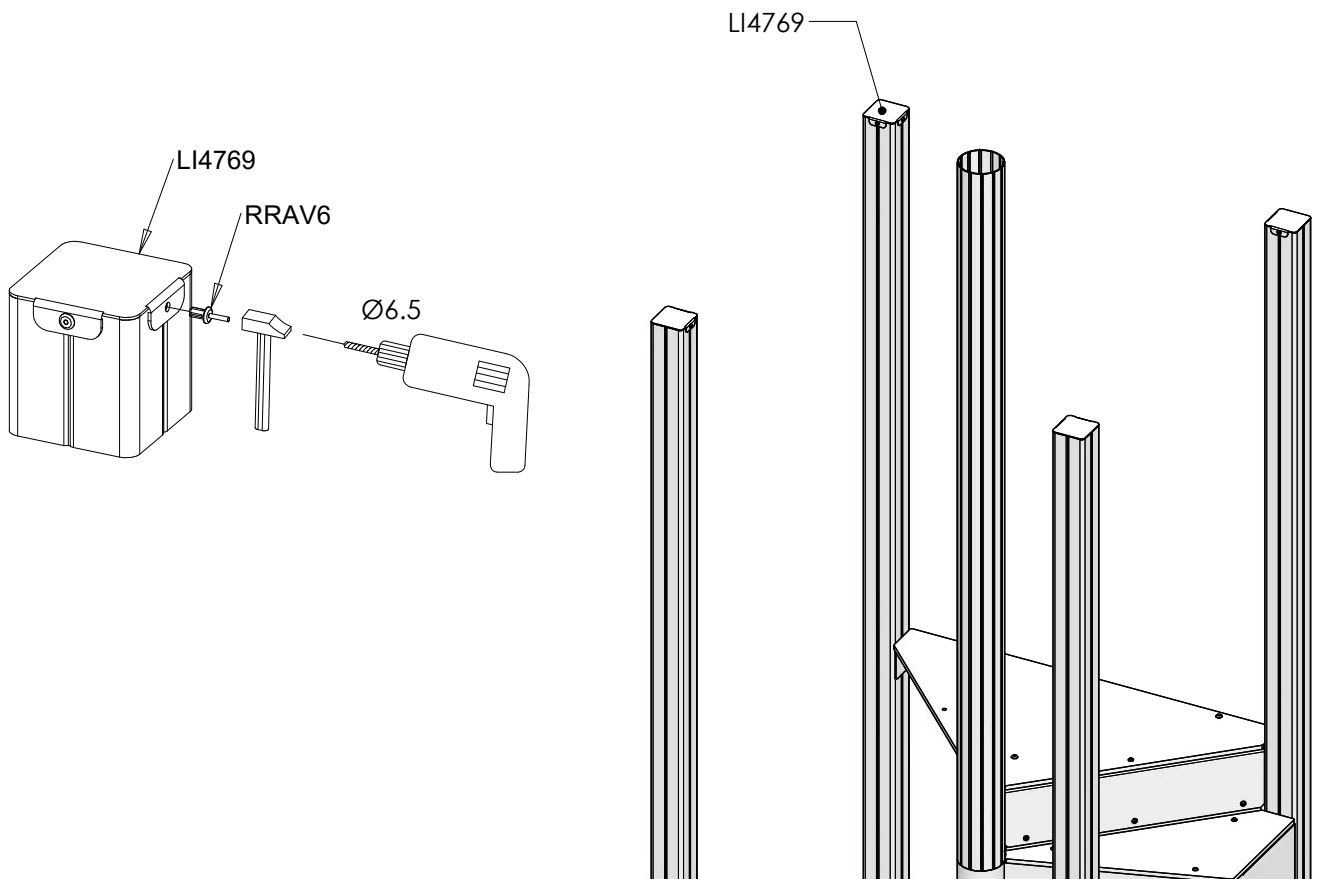
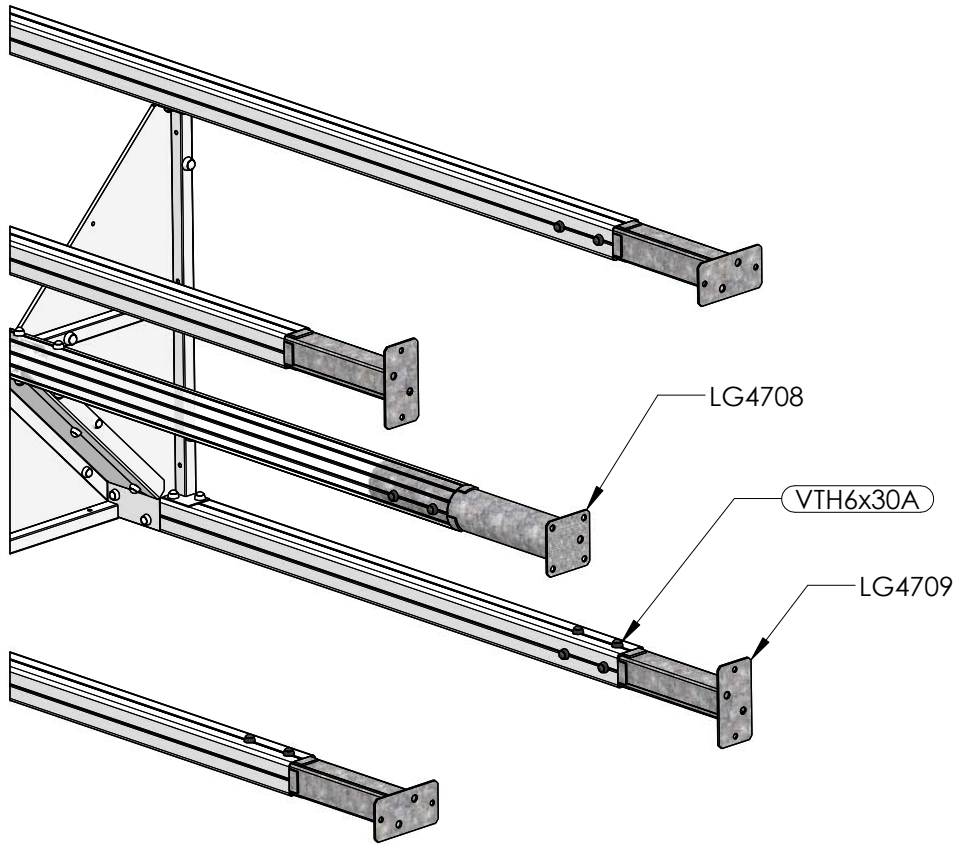


FT47173	2
FT47174	2
FT47175	2
FT47176	2
LG4705	2
LG4708	1
LG4709	4
LG4711	2
LG4712	1
LG4713	1
LGP9114	4
LGP9117	1
LI4769	4
M8310N	73
M8440N	73
M10310N	8
M10440N	8
RRAV6	8
U2650	1
VCBHCM8x20I	9
VCBHCM8x30I	20
VCBHCM10x70I	8
VEFM8	29
VEFM10	8
VTH6x30A	44

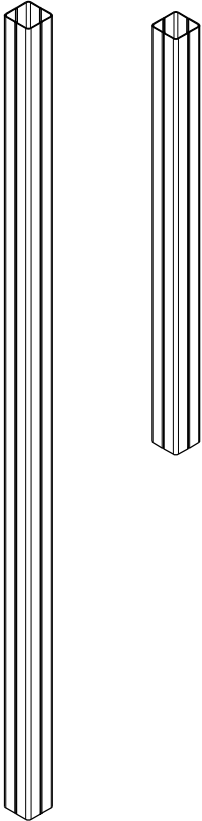




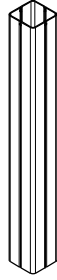




2x LGP9115  
1x LGP9116



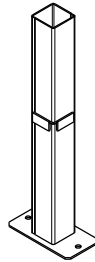
2x LGP3834



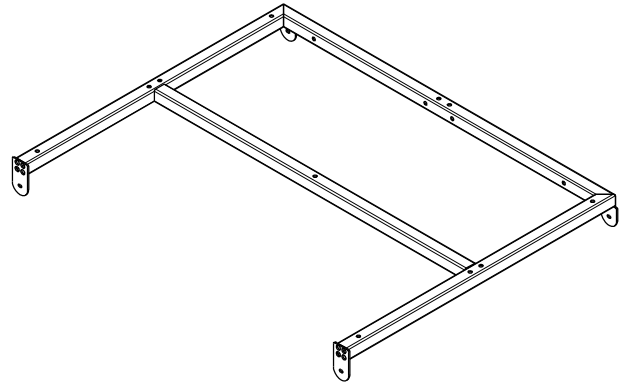
3x LG3812



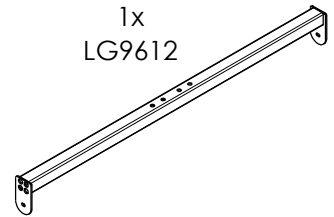
2x LG4709



1x LG9611



1x LG9612



1x LG4412



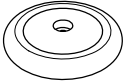
2x P102



1x P20



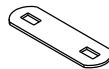
1x MI025N



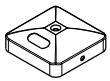
10x P4700



16x P180



5x MI0001N



6x P30



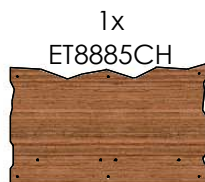
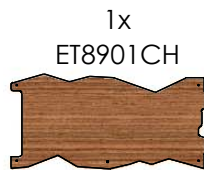
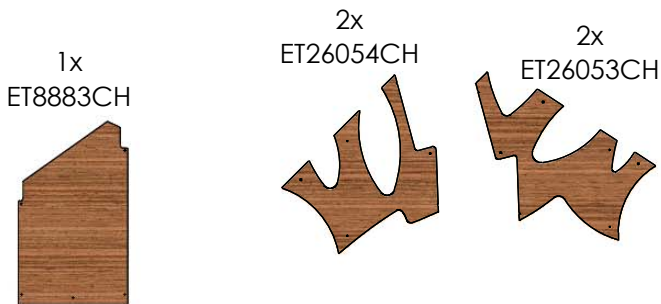
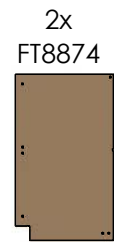
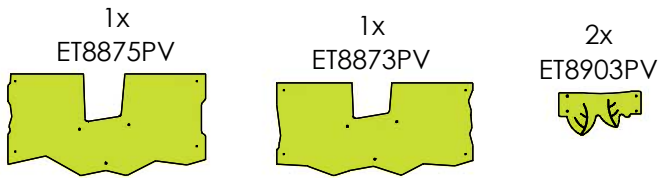
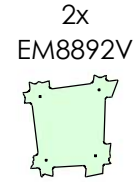
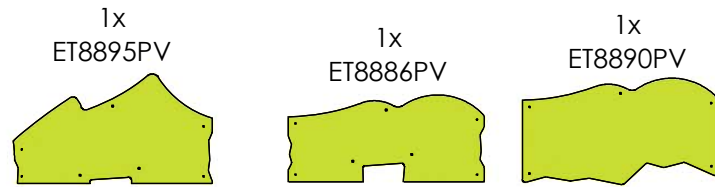
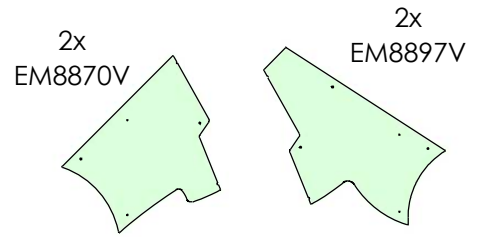
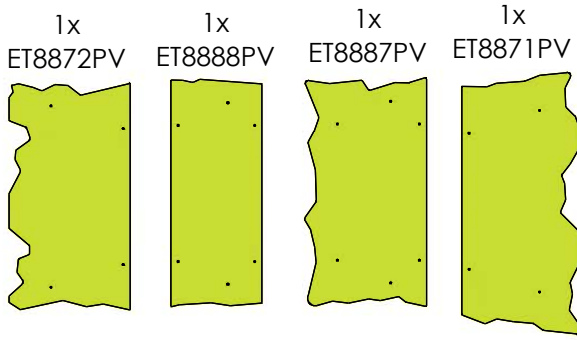
8x P13

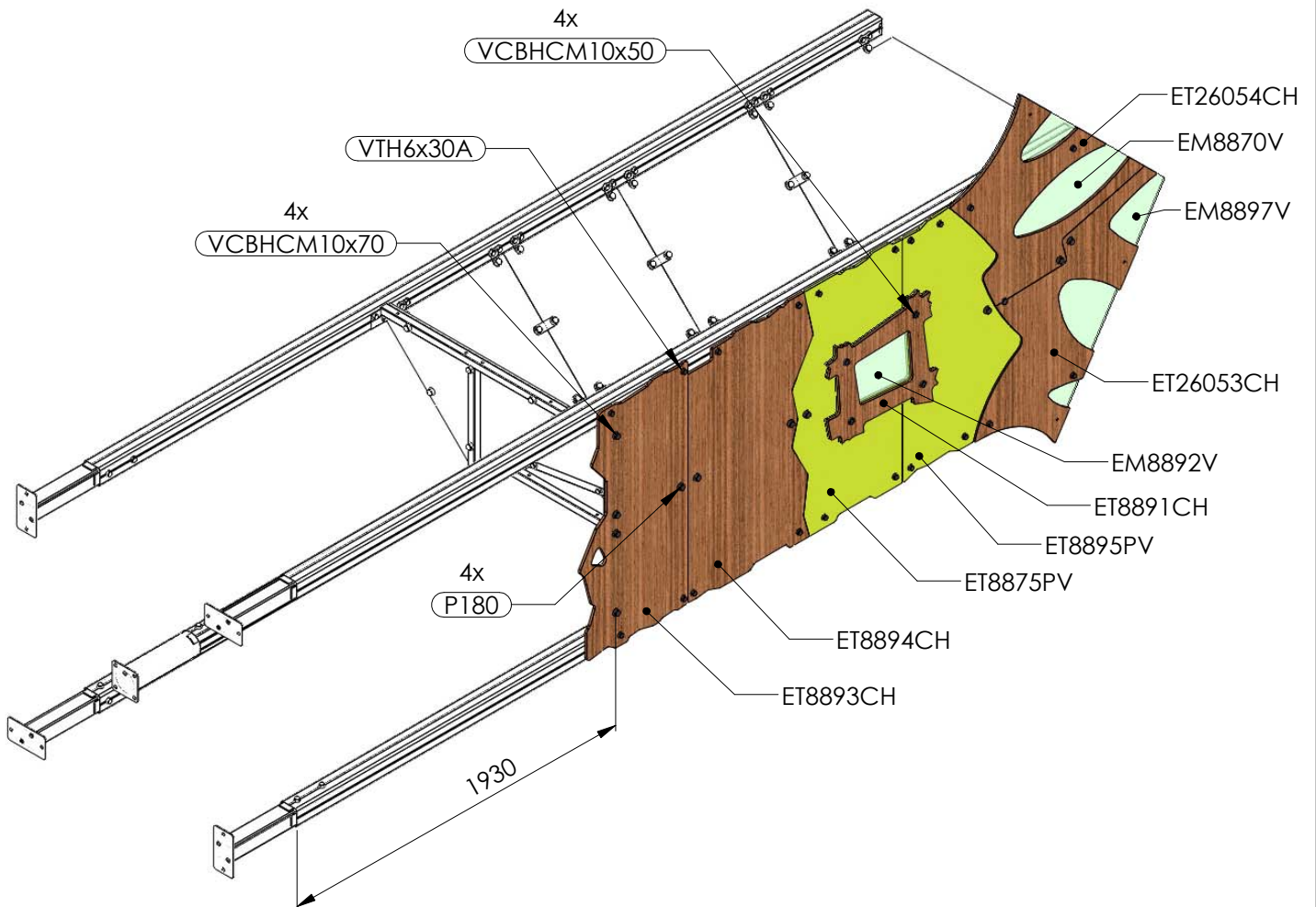
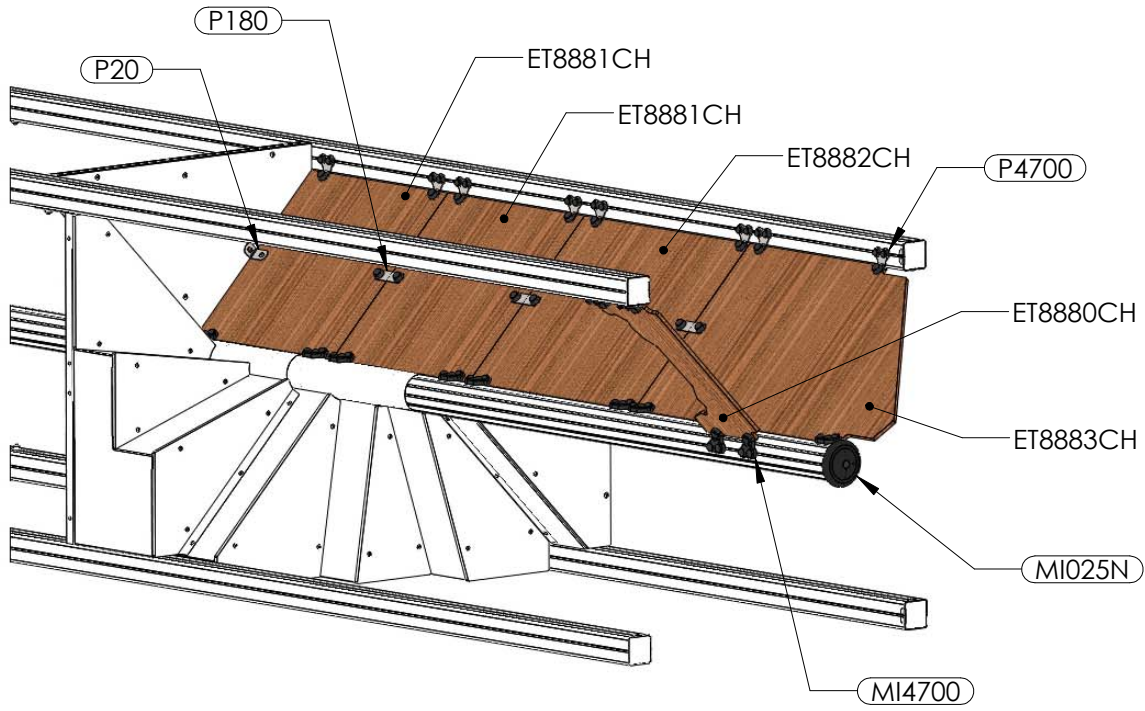


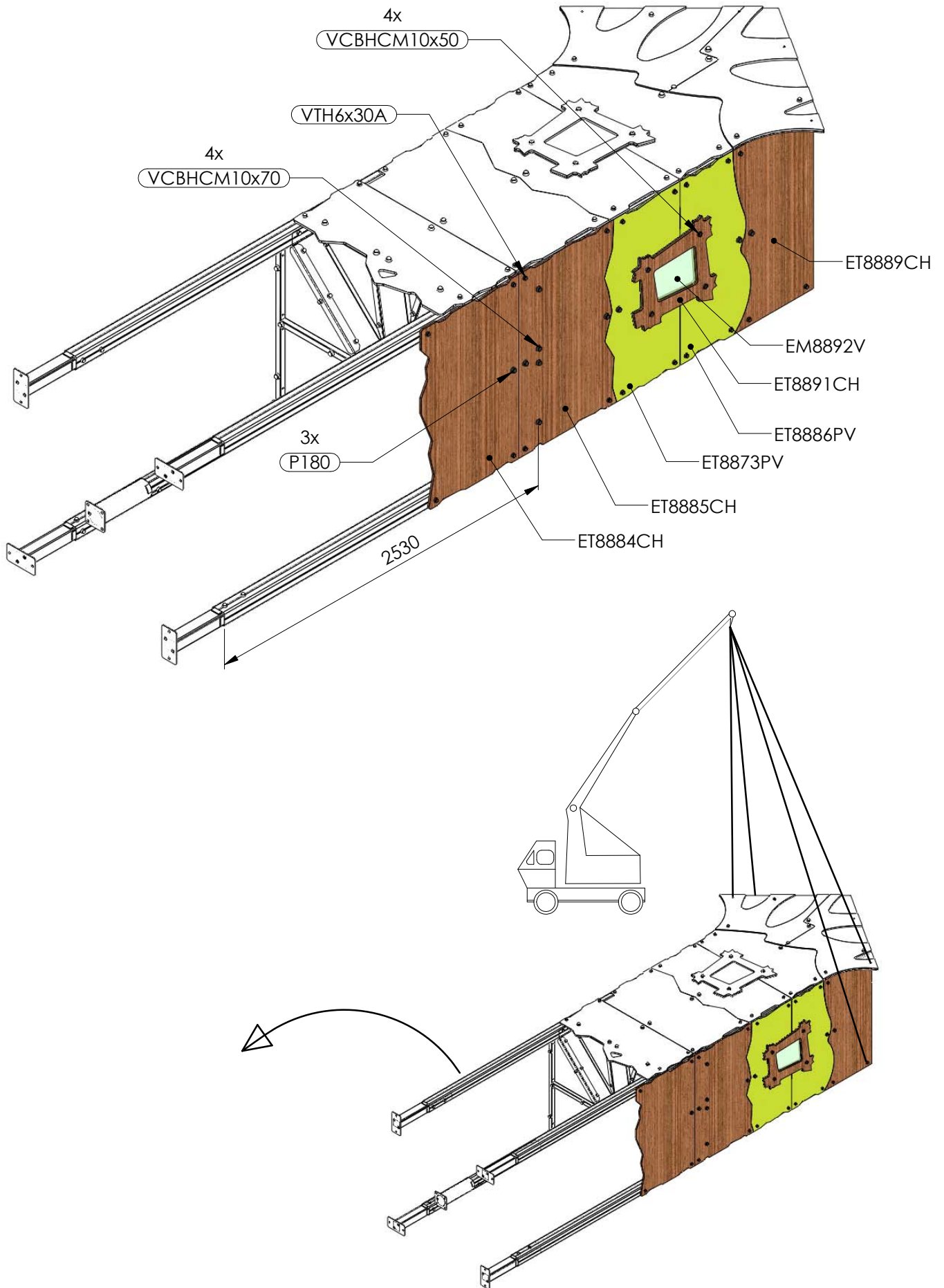
10x MI4700

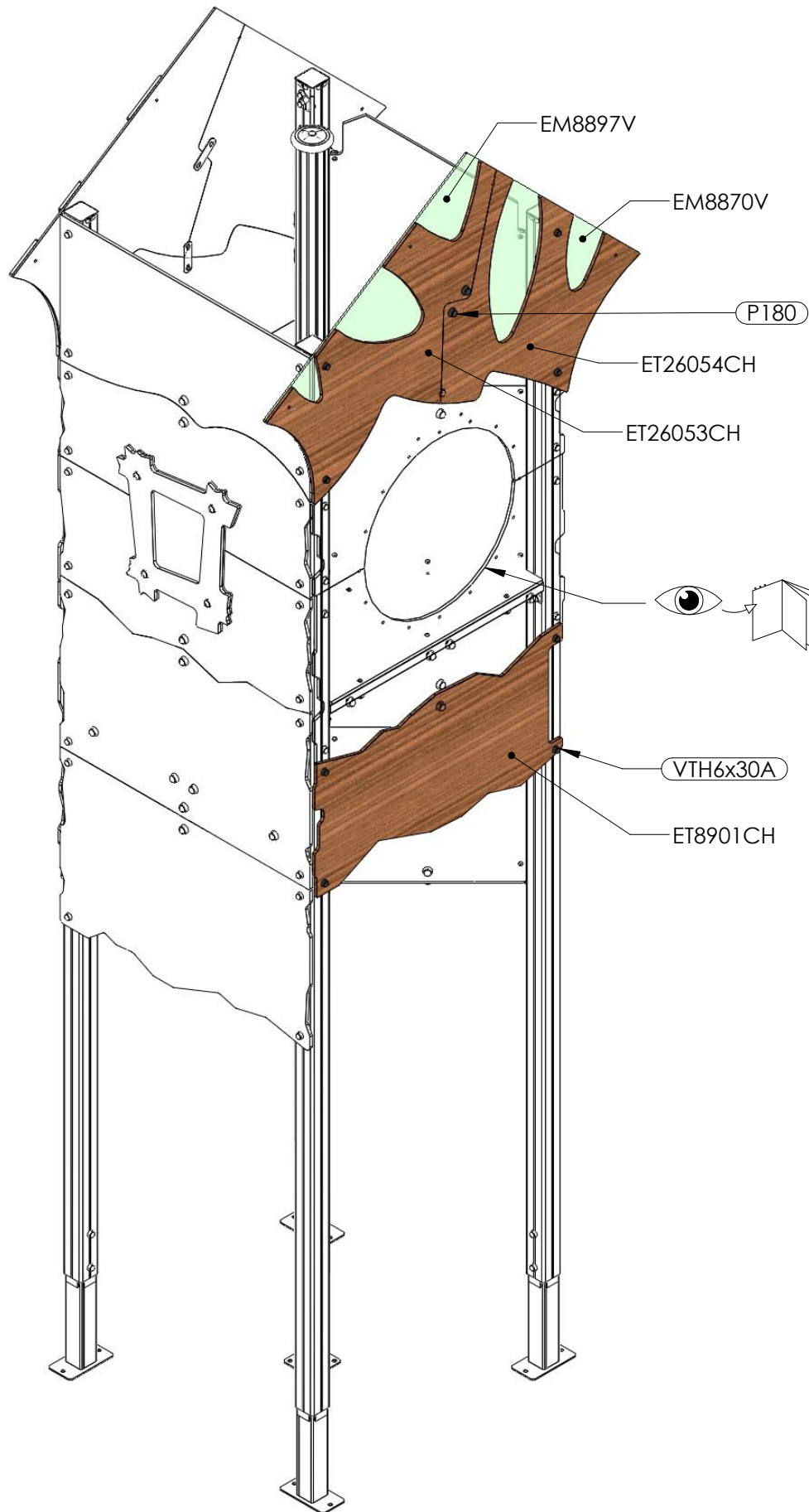


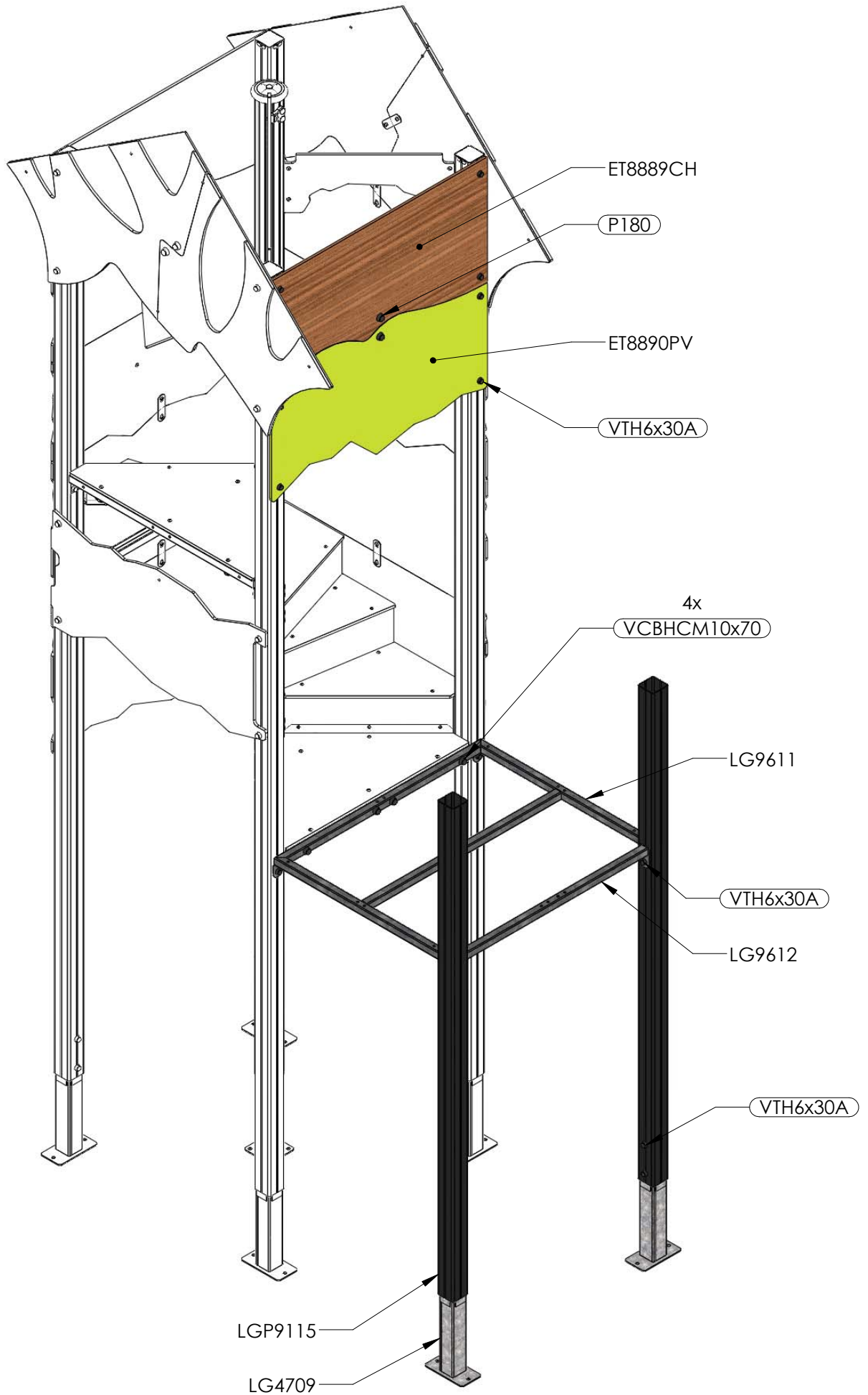
EM8870V	2	LG4412	1
EM8892V	2	LG4709	2
EM8897V	2	LG9611	1
ET8871PV	1	LG9612	1
ET8872PV	1	LGP3834	2
ET8873PV	1	LGP9115	2
ET8875PV	1	LGP9116	1
ET8880CH	1	M8310N	108
ET8881CH	2	M8440N	108
ET8882CH	1	M10310N	94
ET8883CH	1	M10440N	125
ET8884CH	1	MI0001N	5
ET8885CH	1	MI025N	1
ET8886PV	1	MI4700	10
ET8887PV	1	P13	8
ET8888PV	1	P20	1
ET8889CH	2	P30	6
ET8890PV	1	P102	2
ET8891CH	2	P180	16
ET8893CH	1	P4700	10
ET8894CH	1	RAV6	10
ET8895PV	1	VCBHCM8x30I	15
ET8898CH	1	VCBHCM10x30I	74
ET8901CH	1	VCBHCM10x40I	12
ET8902CH	1	VCBHCM10x50I	8
ET8903PV	2	VCBHCM10x70I	8
ET26053CH	2	VEFM10	100
ET26054CH	2	VFHCM6x40	1
FT8874	2	VTH6x30A	128
LG3812	3	VTH10x100	4

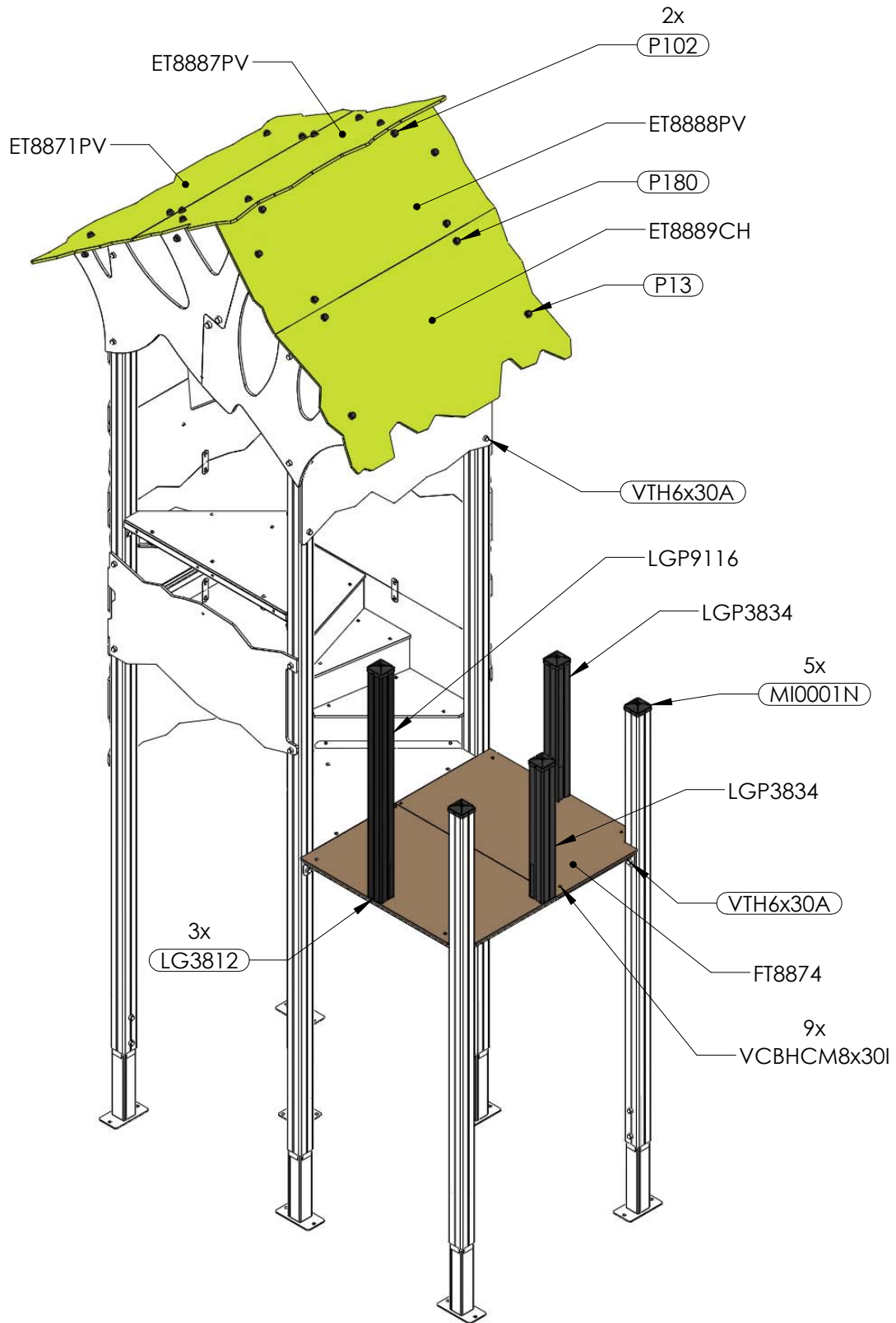




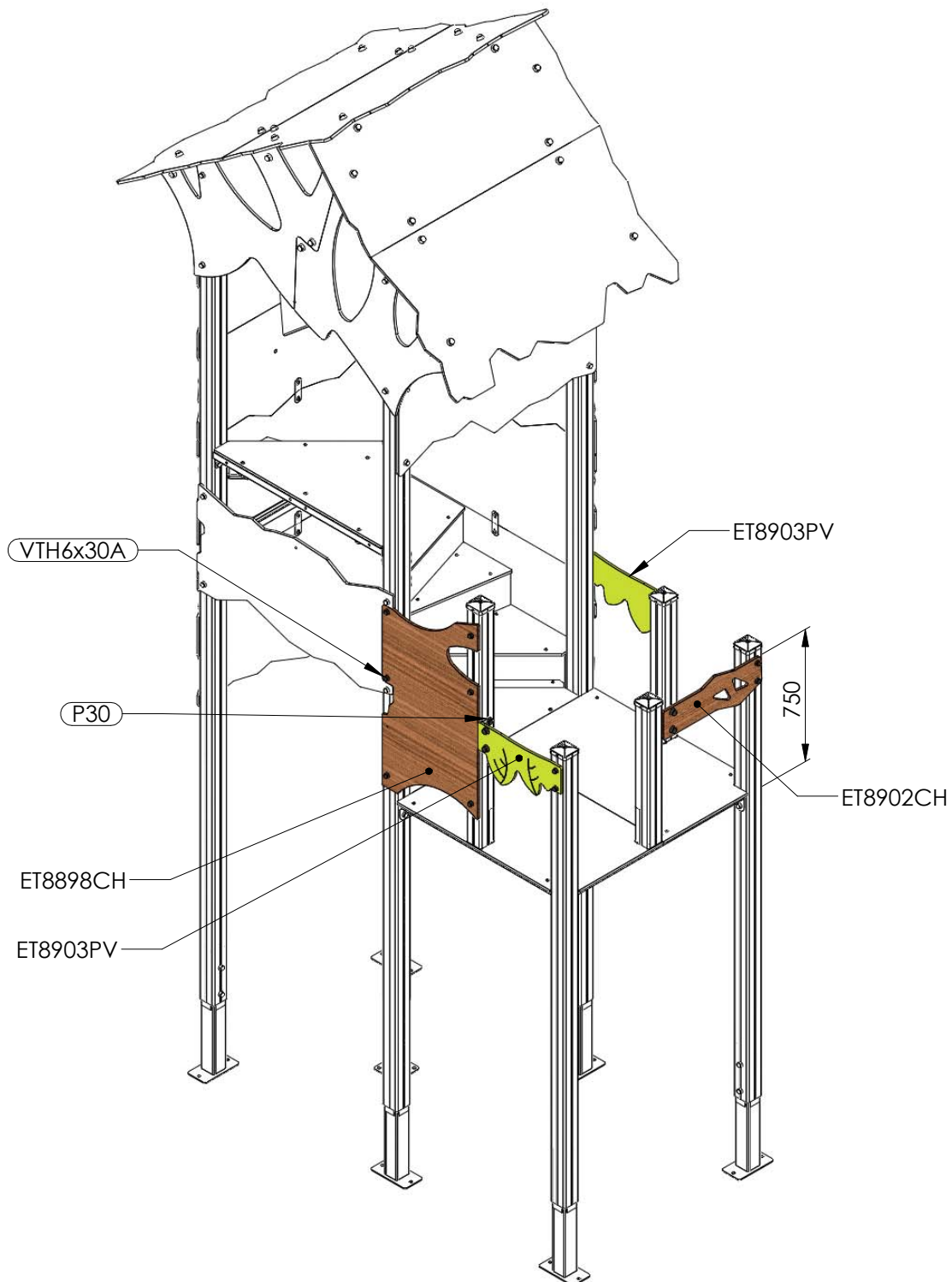


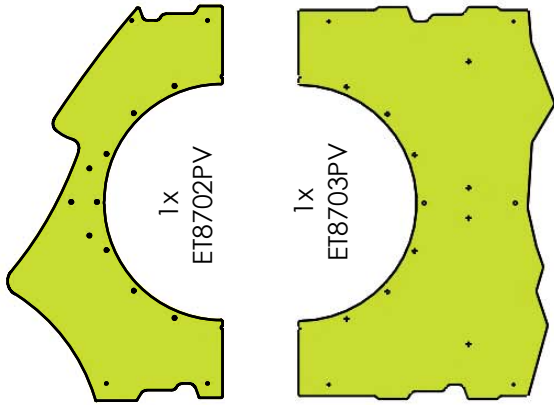
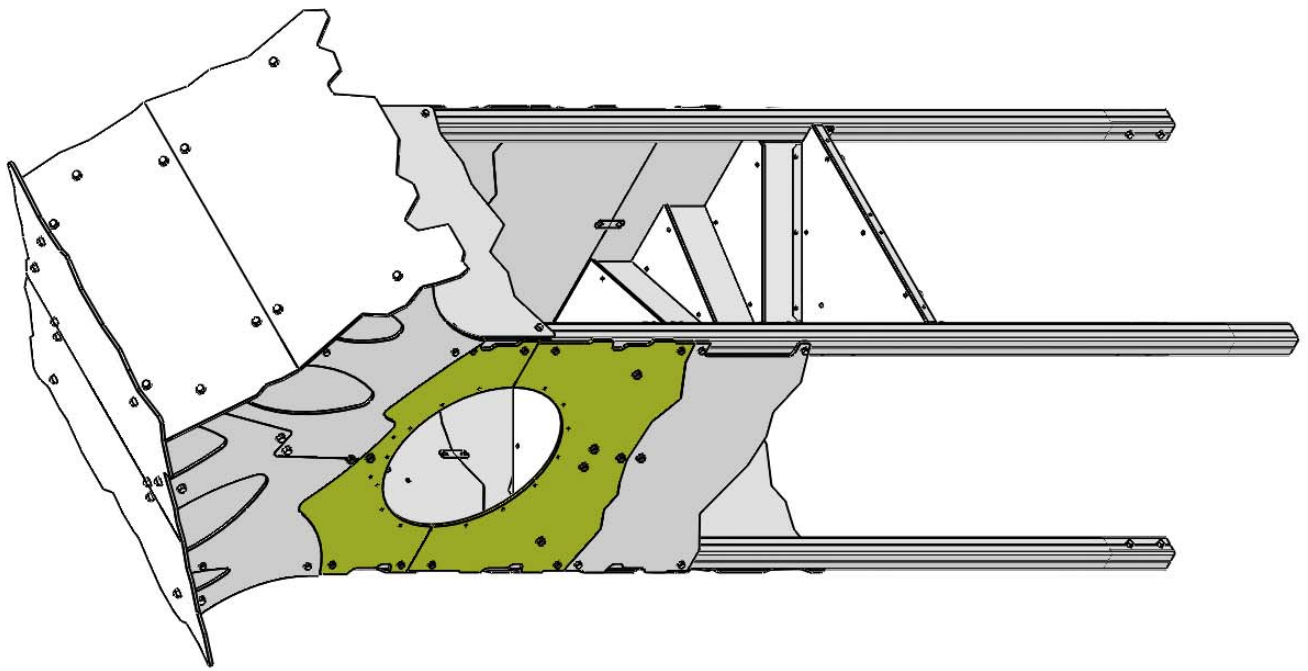






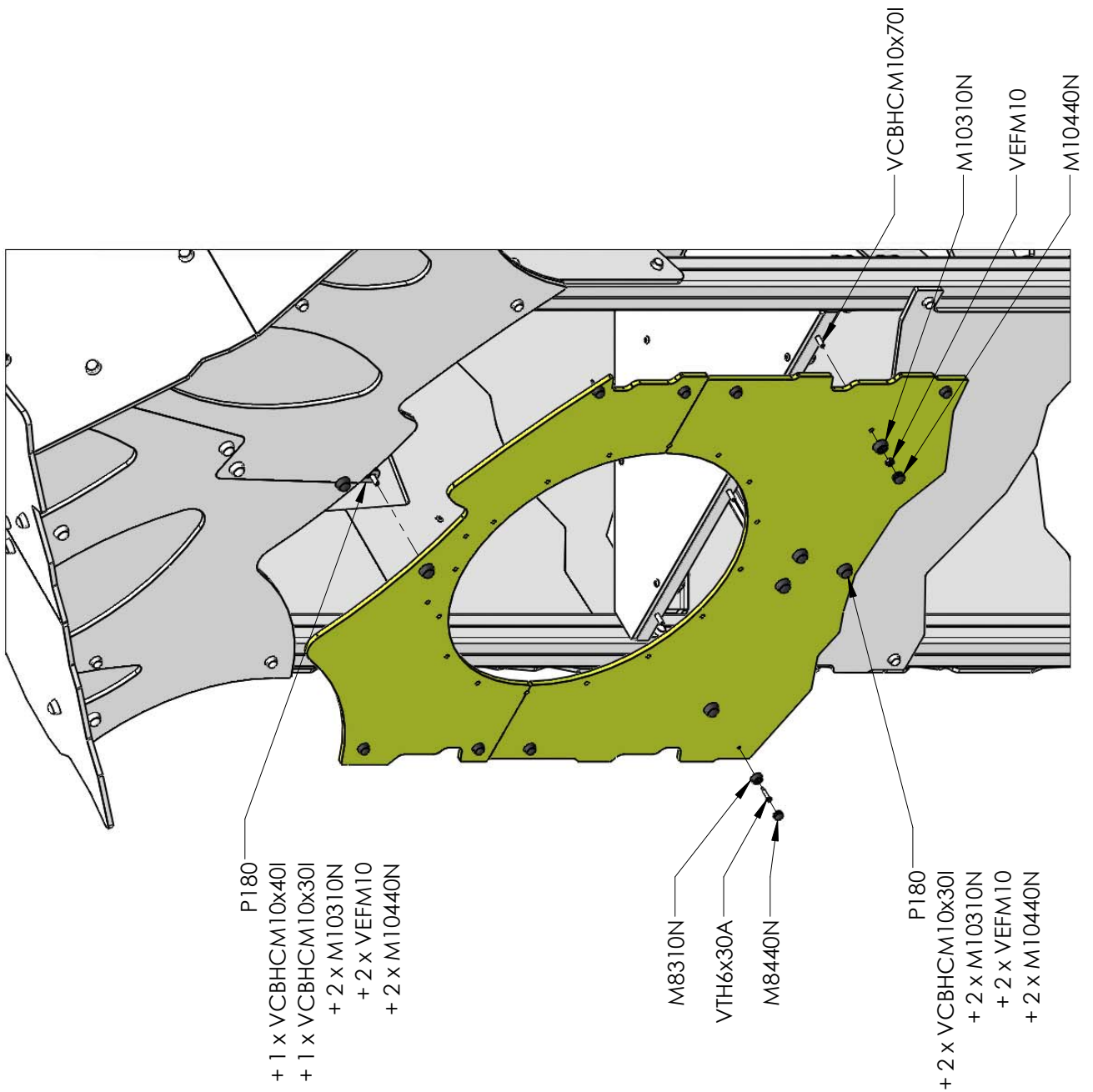


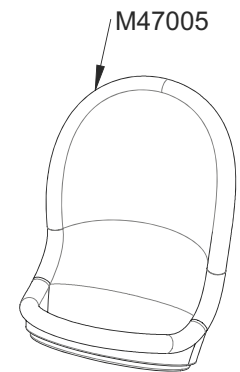
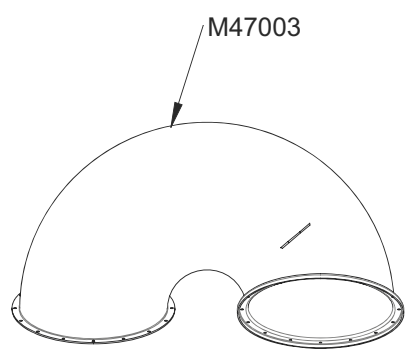
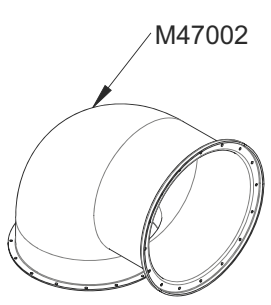
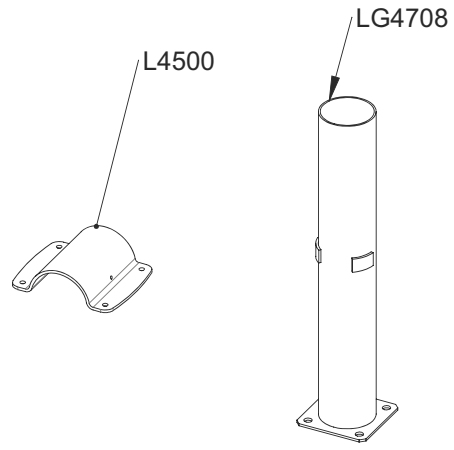
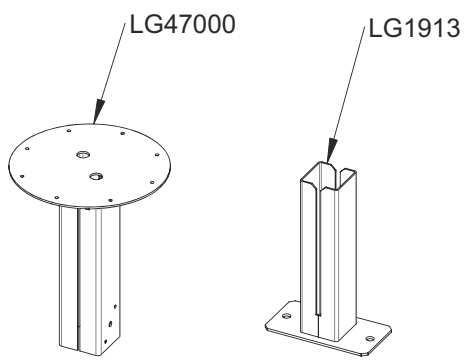
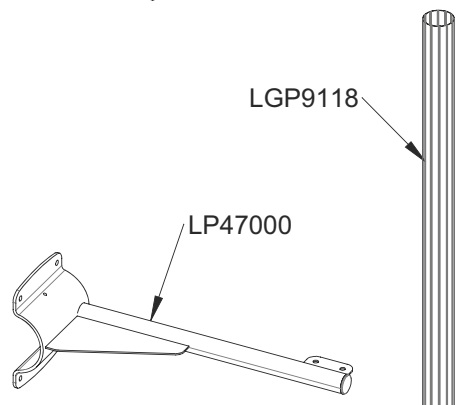
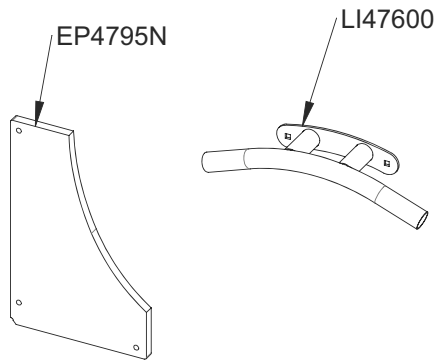
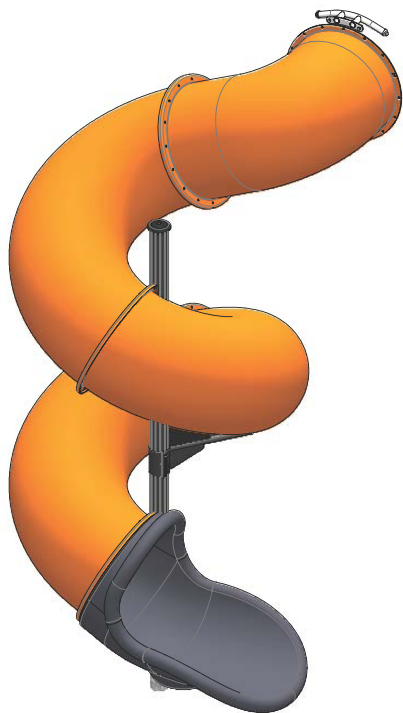




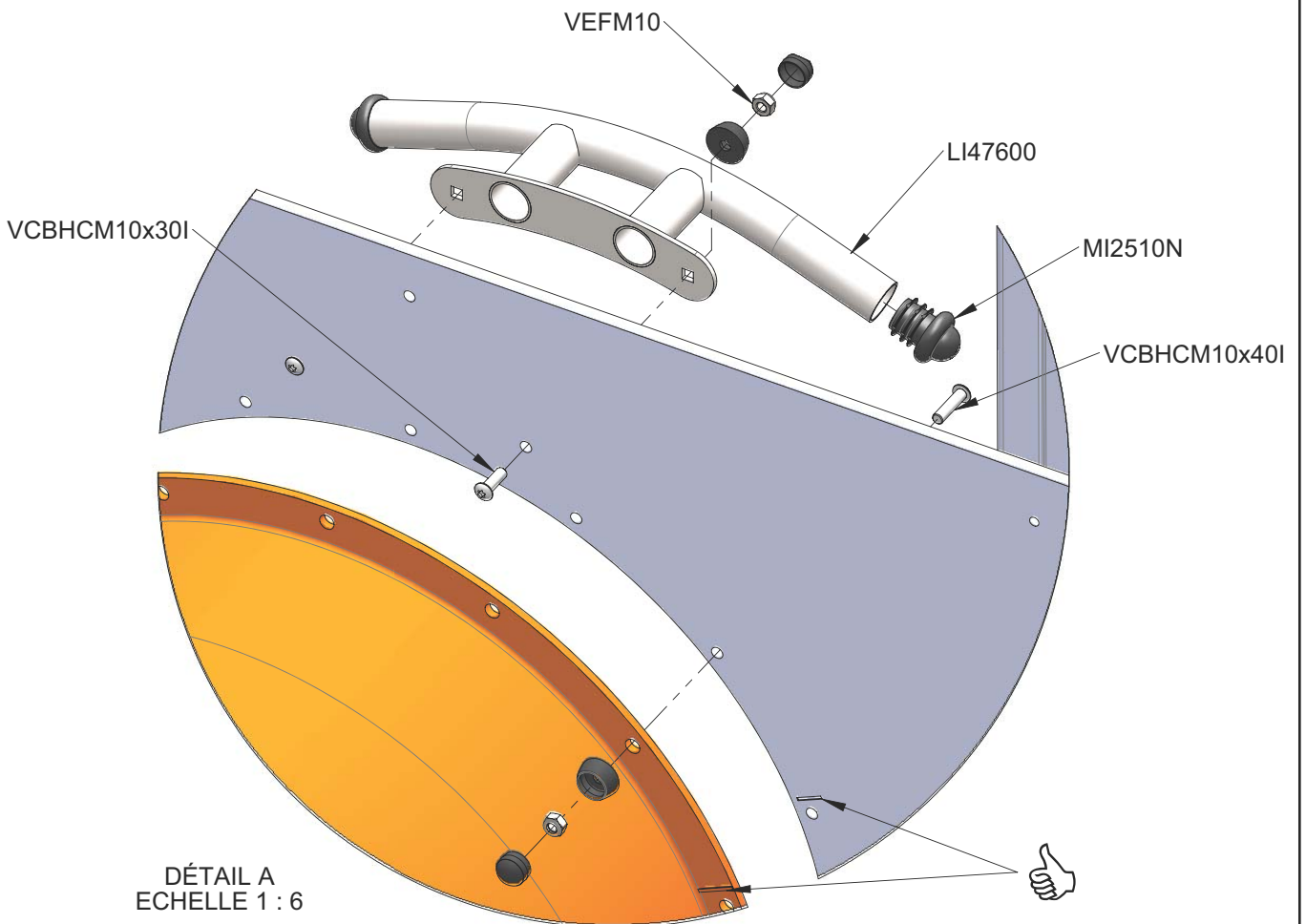
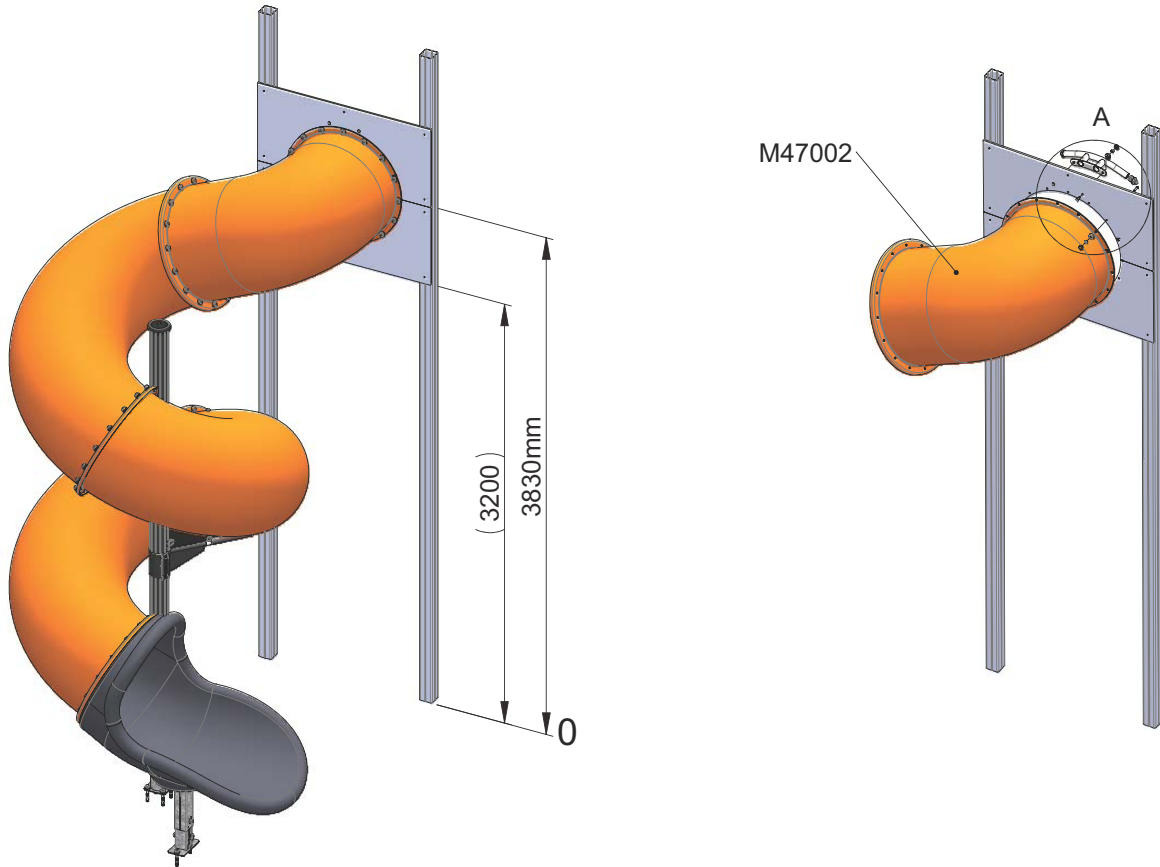
2x  
P180

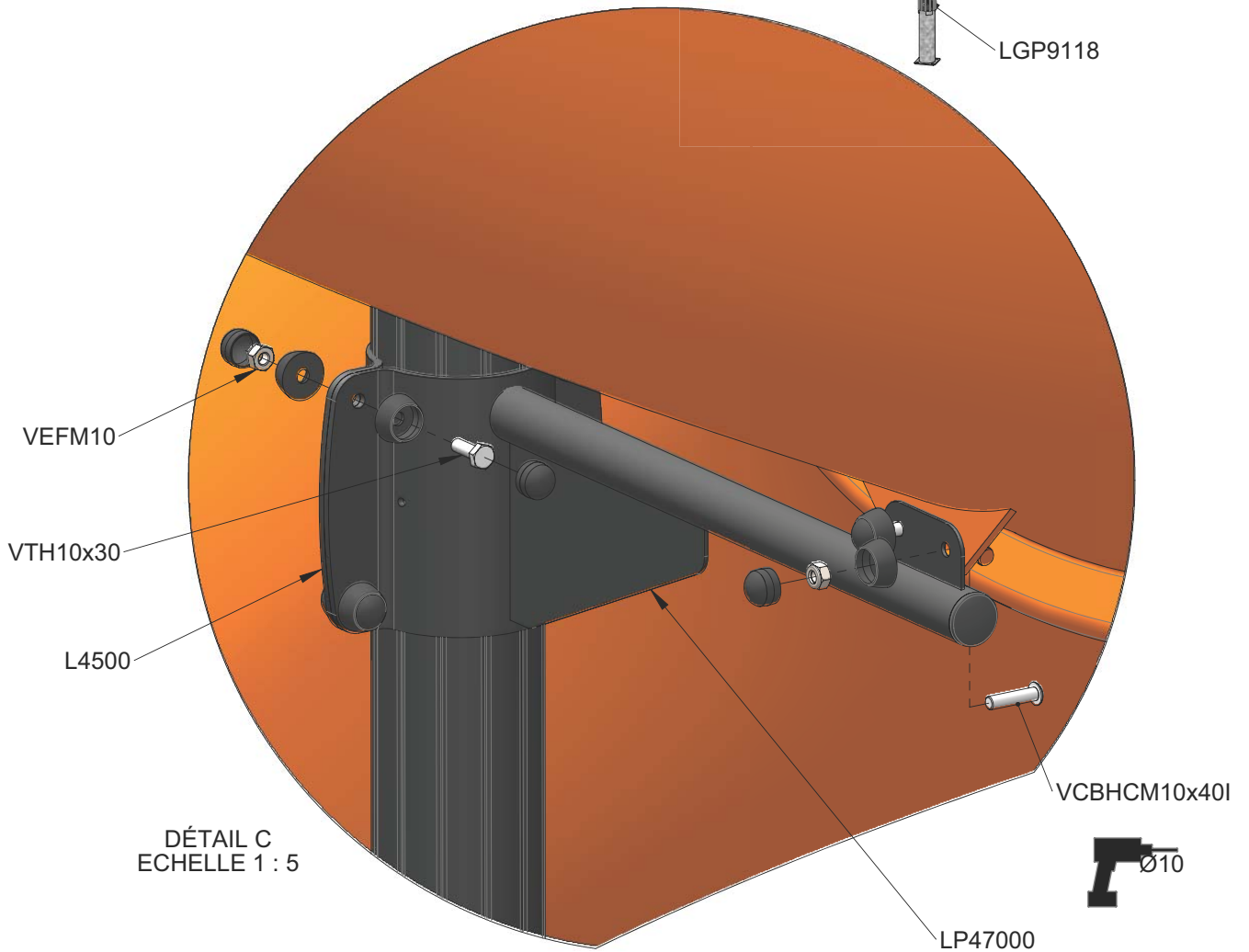
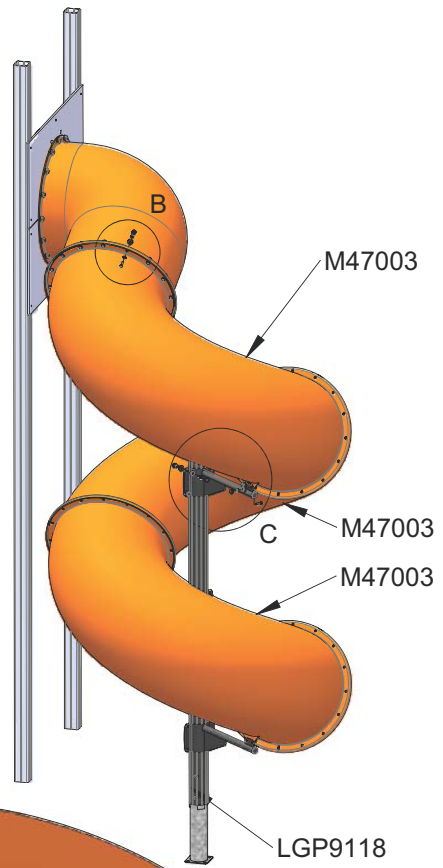
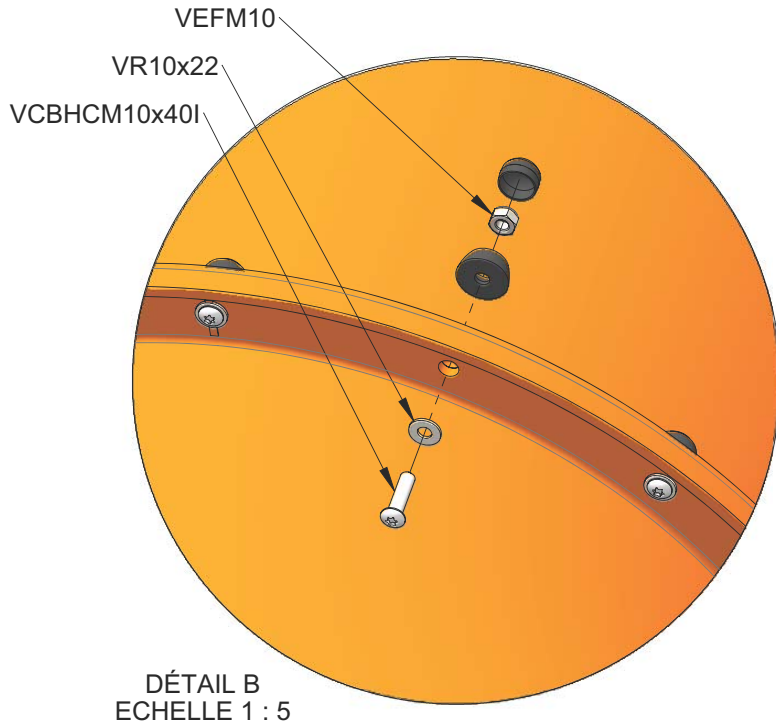
ET8702PV	1
ET8703PV	1
M8310N	8
M8440N	8
M10310N	8
M10440N	8
P180	2
VCBHC M10x30I	3
VCBHC M10x40I	1
VCBHC M10x70I	4
VEFM10	8
VTH6x30A	8

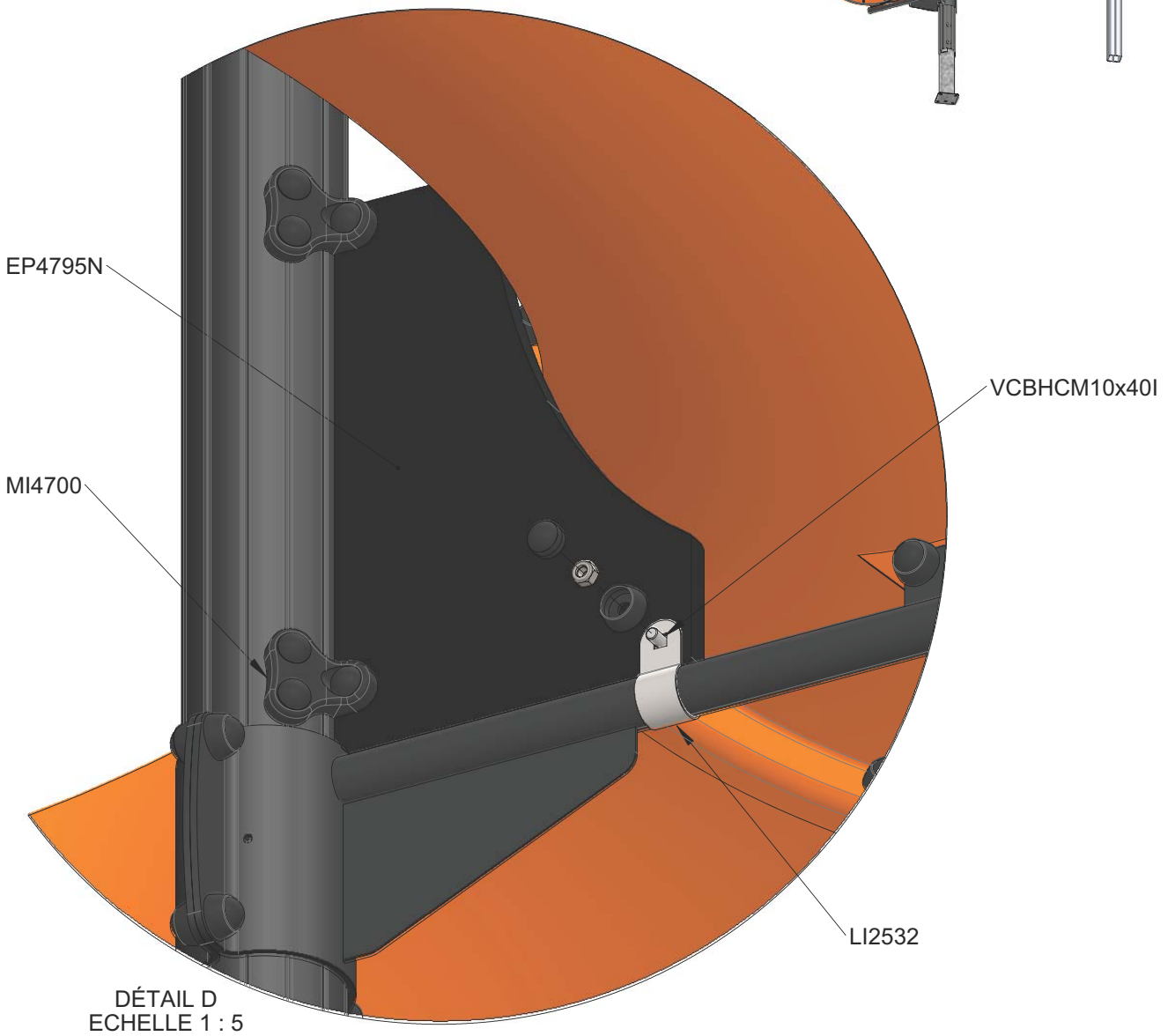
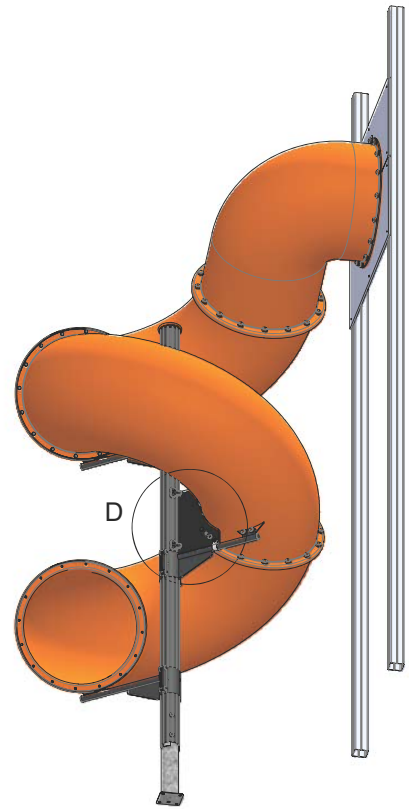
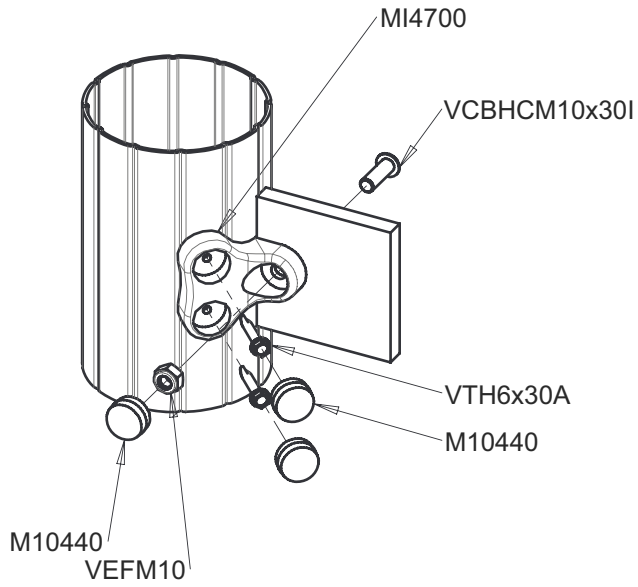


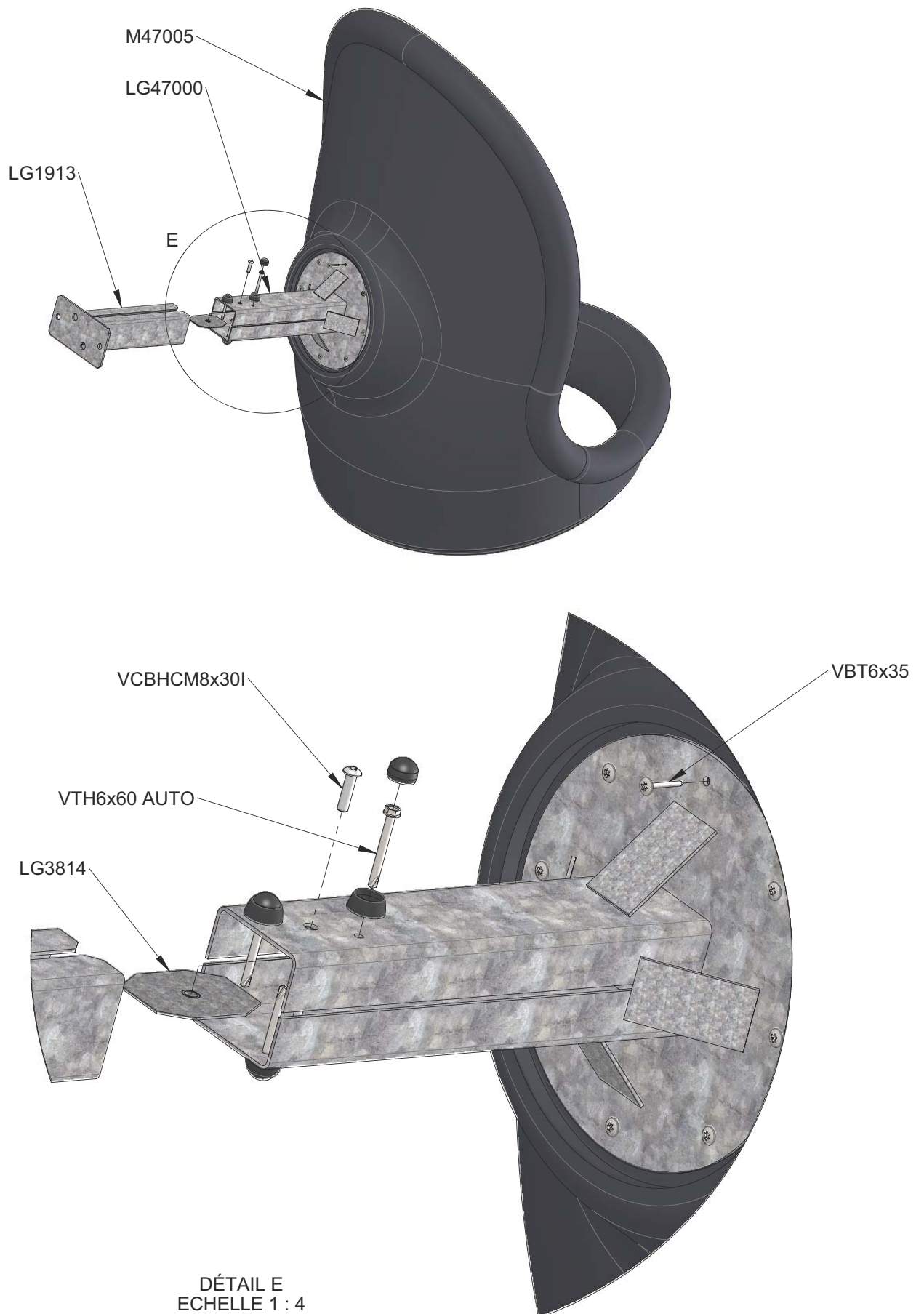


Réf	Qté
EP4795N	1
LG1913	1
LG3814	1
LG4708	1
LG47000	1
LGP9118	1
LI2532	1
LI47600	1
LP4500	3
LP47000	3
M8310N	8
M8440N	8
M10310N	104
M10440N	110
M47002	1
M47003	3
M47005	1
MI2510N	2
MI4700	2
RD14M10	6
TFAMI025	1
VBT6x35	8
VCBHCM8x30I	1
VCBHCM10x30I	20
VCBHCM10x40I	71
VEFM10	87
VR10x22	64
VTH6x30A	8
VTH6x60 AUTO	4
VTH10x30	12

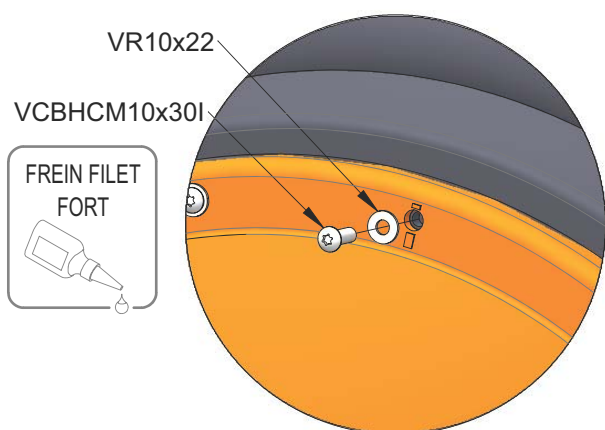
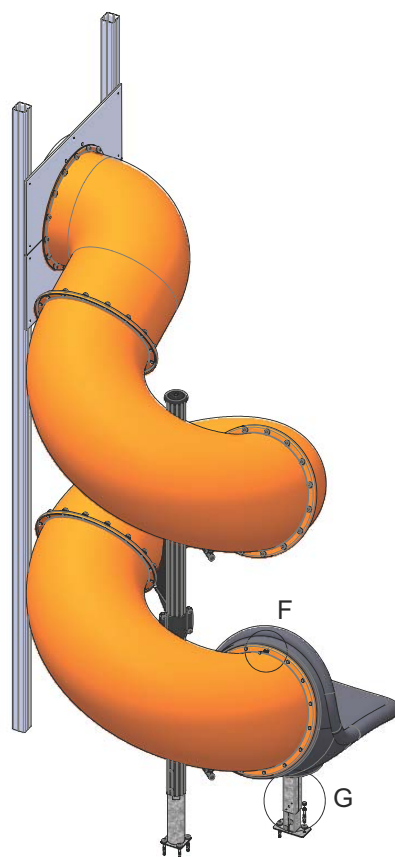




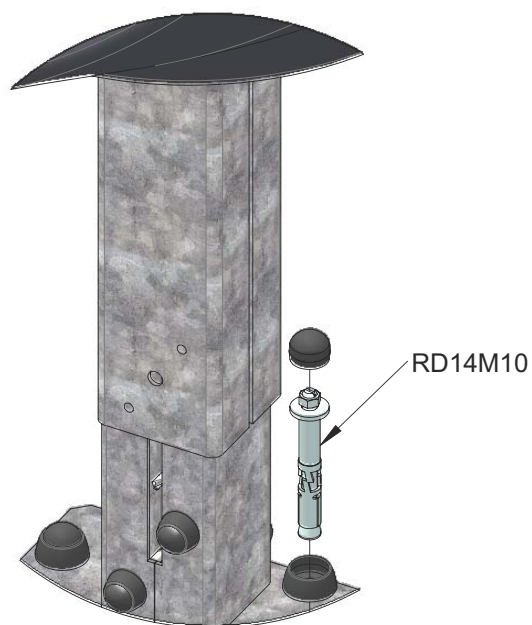











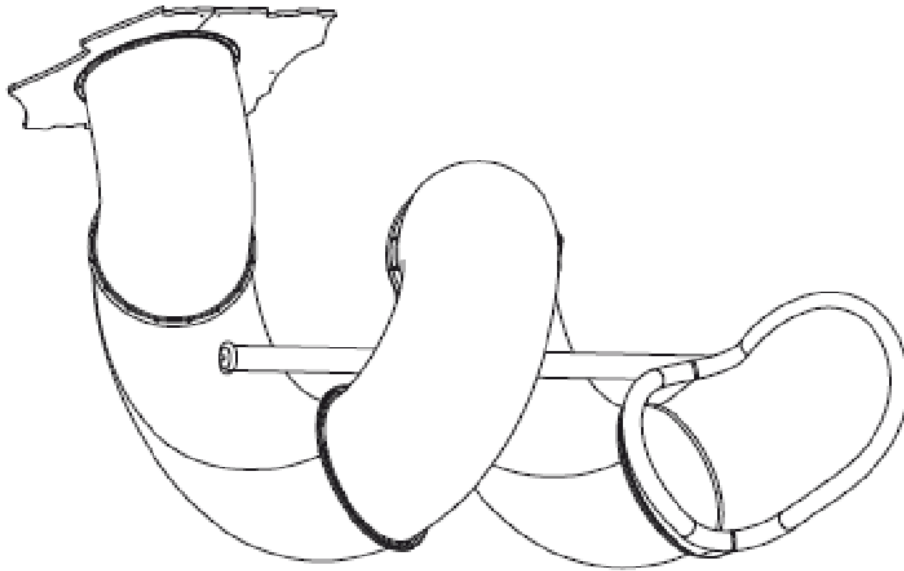





DÉTAIL F  
ECHELLE 1 : 5



DÉTAIL G  
ECHELLE 1 : 5

					0	-4	0	0	0
									



-  X1
-  X3
-  X1

