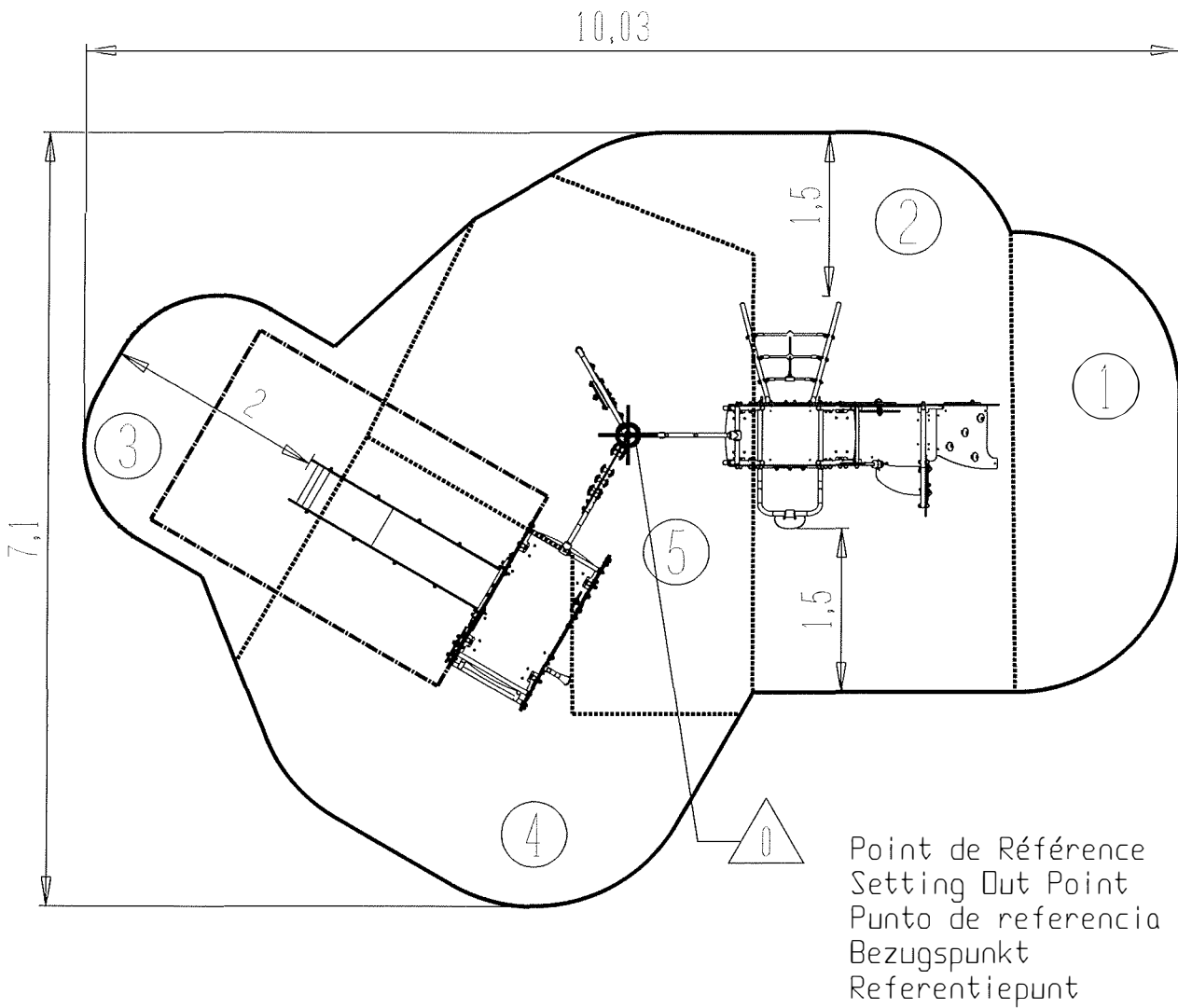


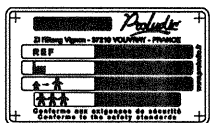
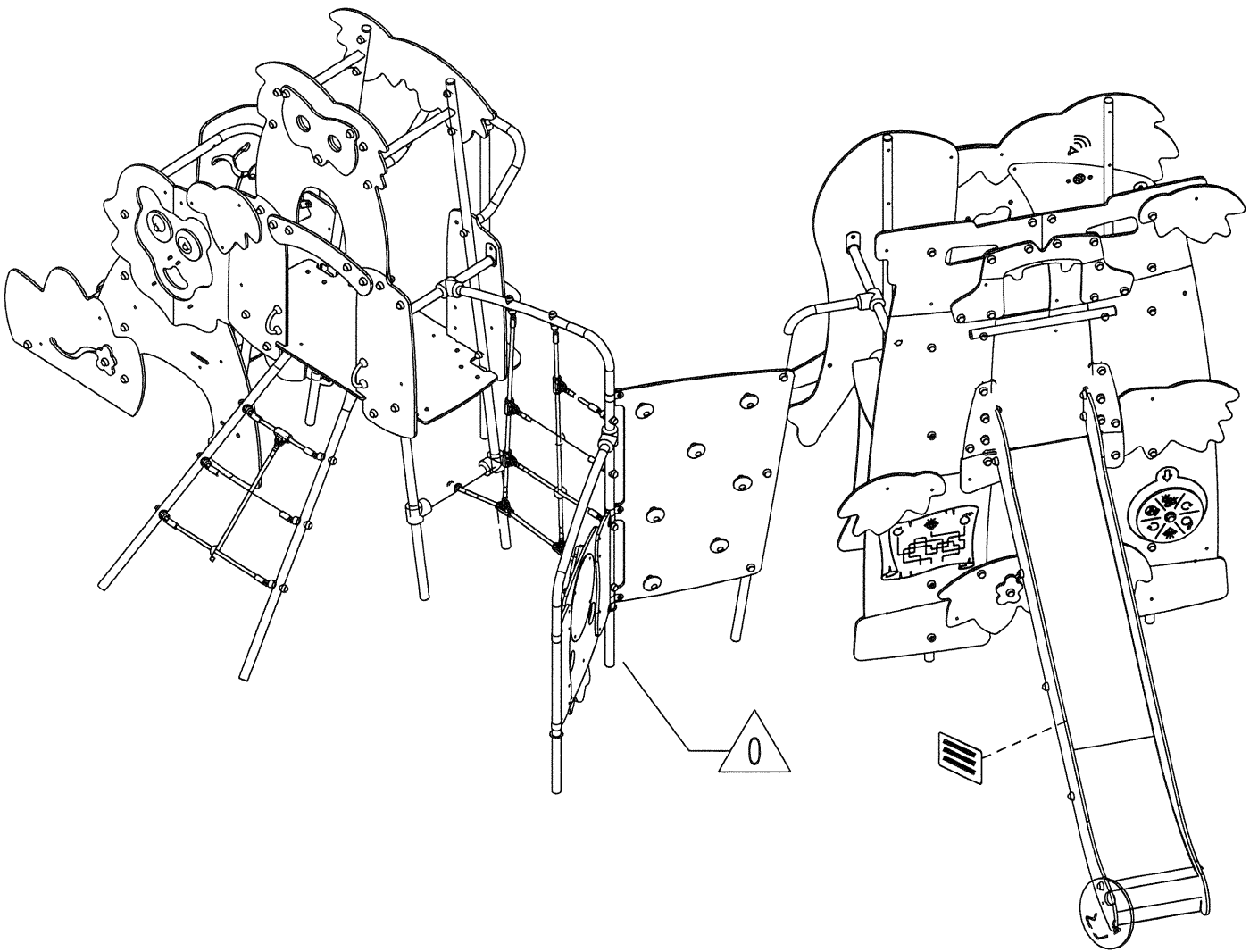
N°		
①	0.6 m	5.5 m ²
②	0.97 m	13.5 m ²
③	1 m	6 m ²
④	1.17 m	11 m ²
⑤	1.8 m	12 m ²

— Zone d'Impact
 Impact Area
 Area de Impacto
 Fallraum
 Valzone

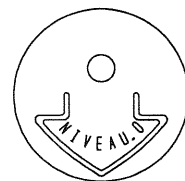
EN 1176-1 : 2017
 EN 1176-3 : 2017

- - - Espace libre
 Free Space
 Espacio Libre
 Freiraum
 Vrije ruimte



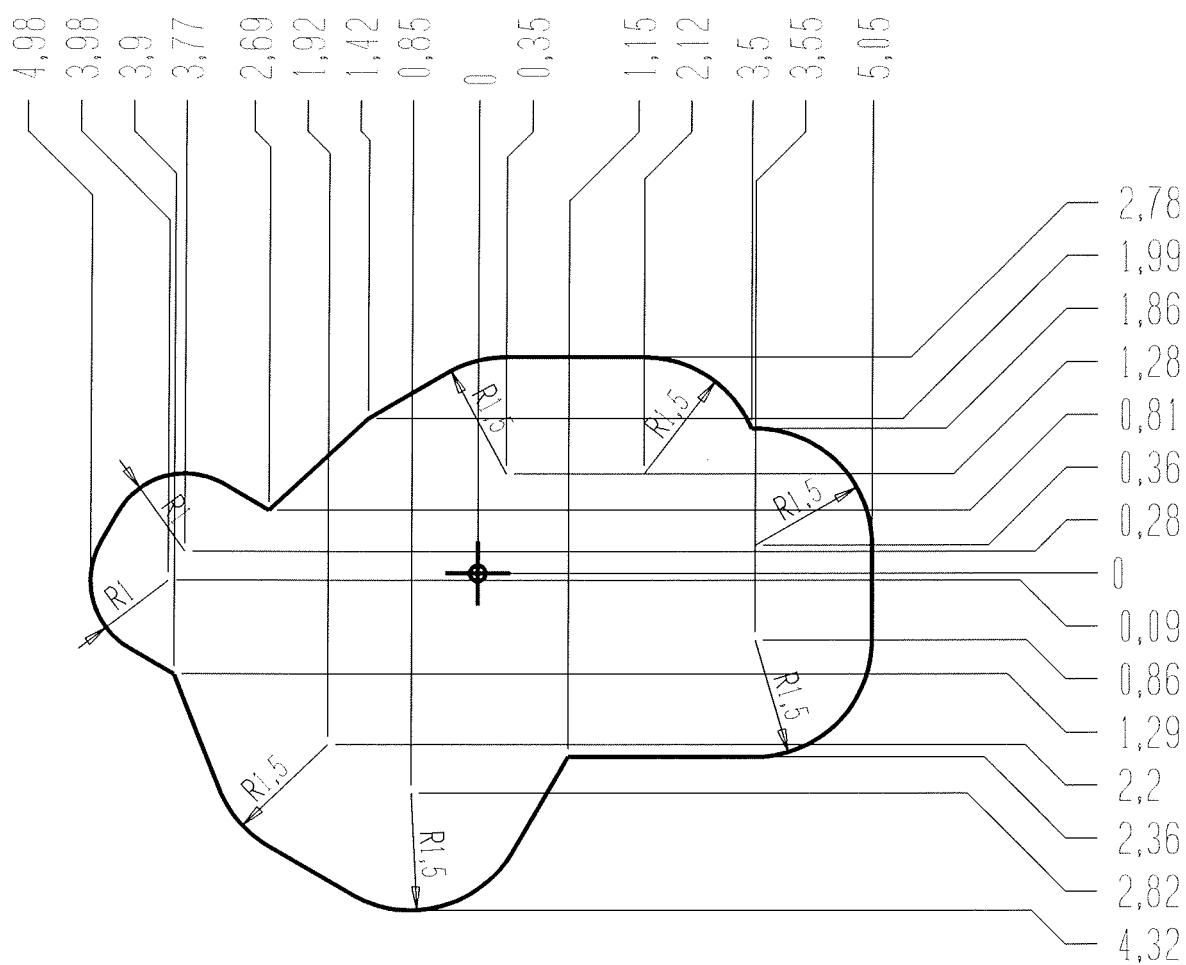


LA000

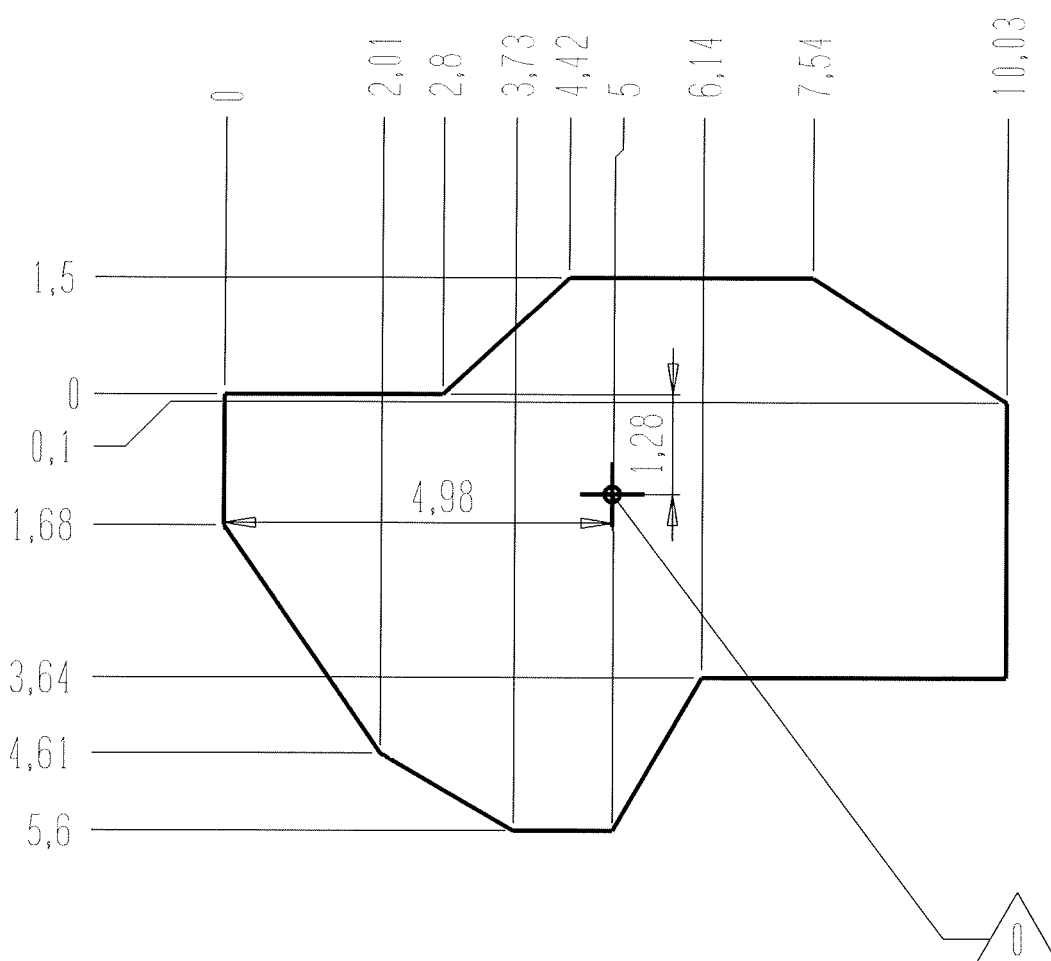


MI0002

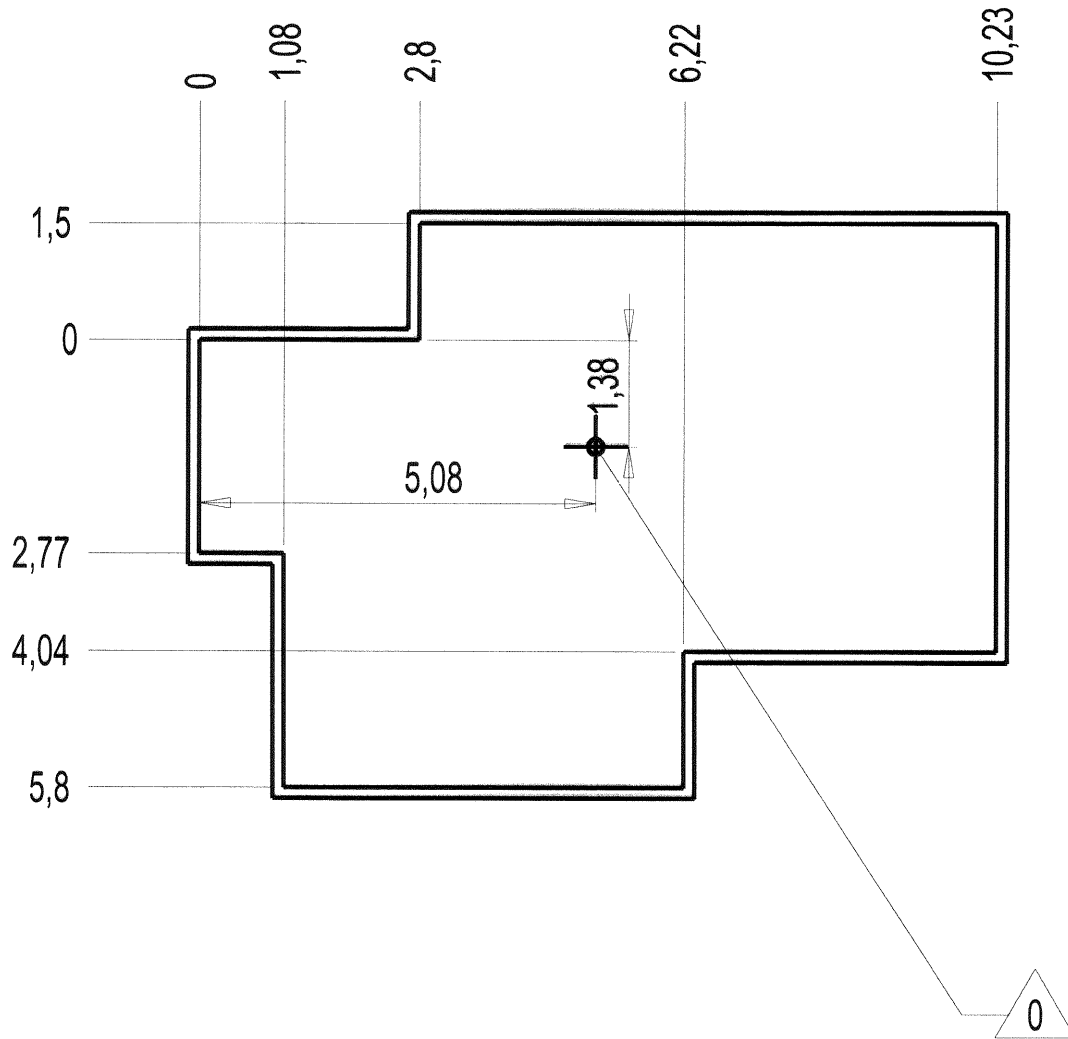
— Zone d'Impact 48 m²
 Impact Area
 Area de Impacto
 Fallraum
 Valzone



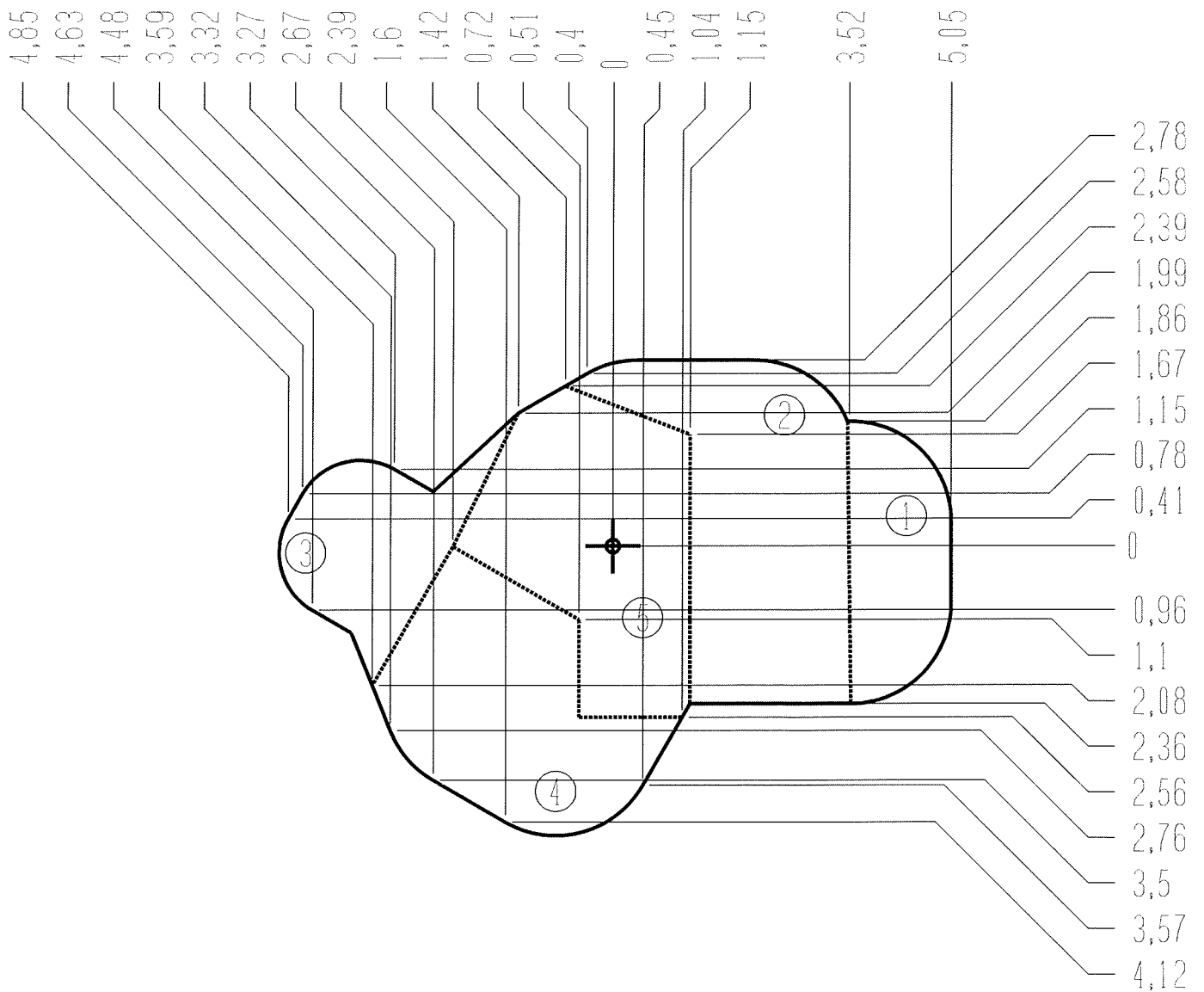
- Dalle béton 30 m
- Concrete pad 50 m²
- Solera de Hornigón
- Beton Bodenplatte
- Betonnen bodenplaat

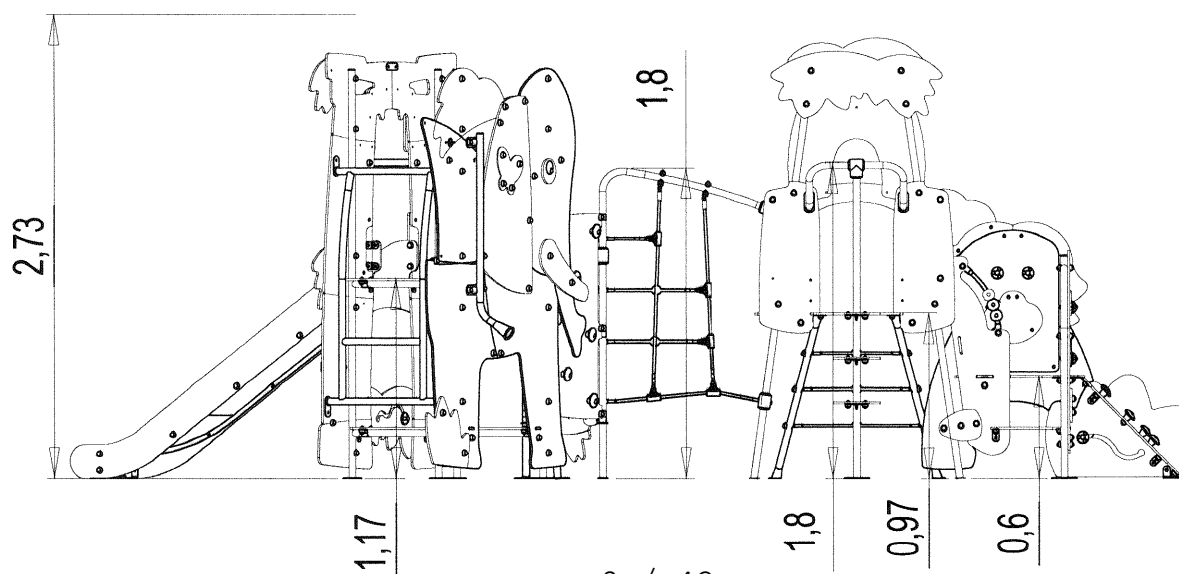
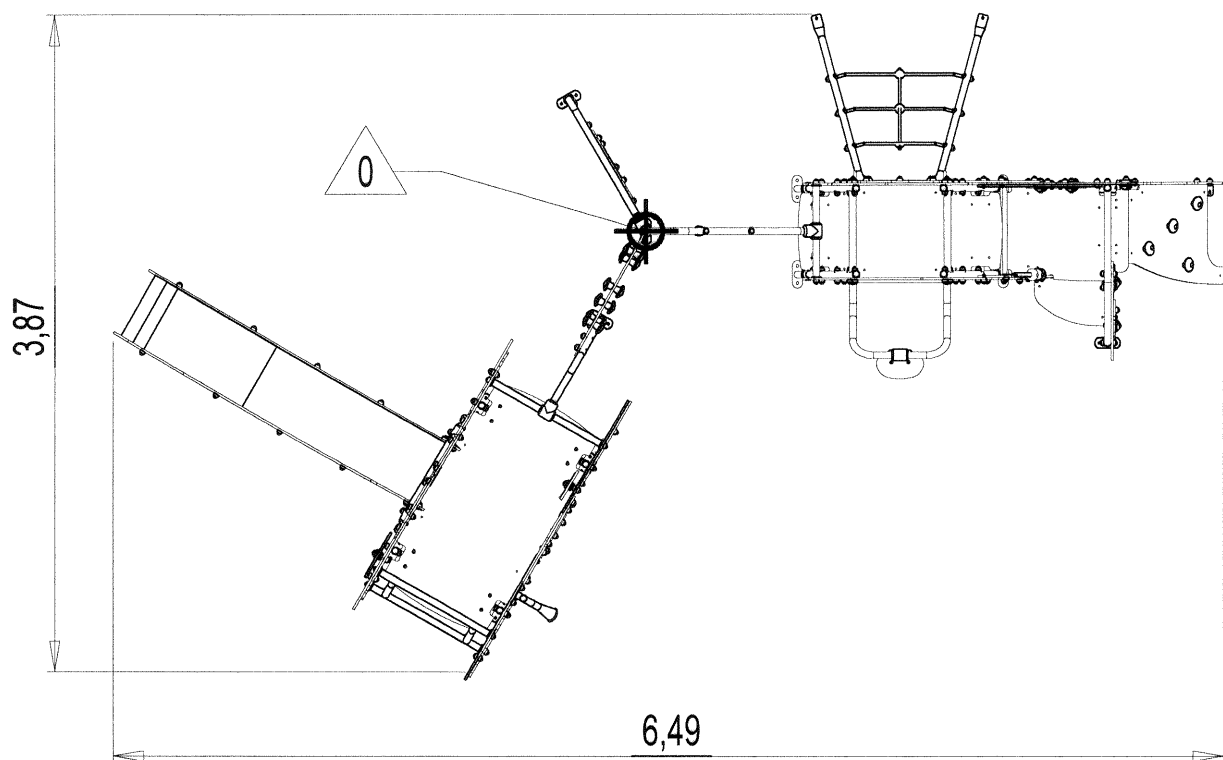
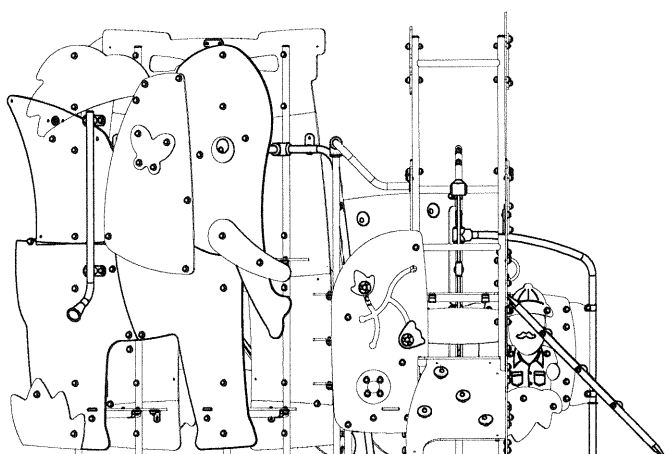


- Sol fluent 37 m
- Loose particle material 61 m²
- Arenero
- Loses Bodenmaterial
- Los bodenmaterial

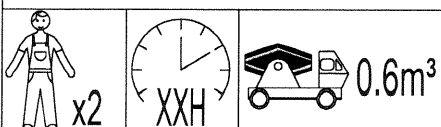
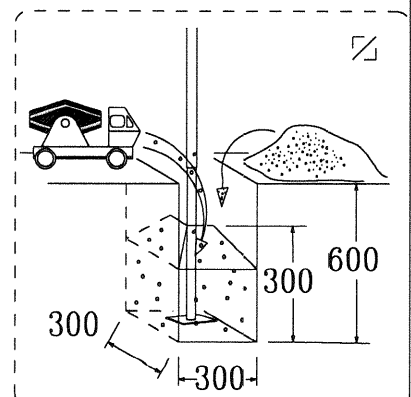
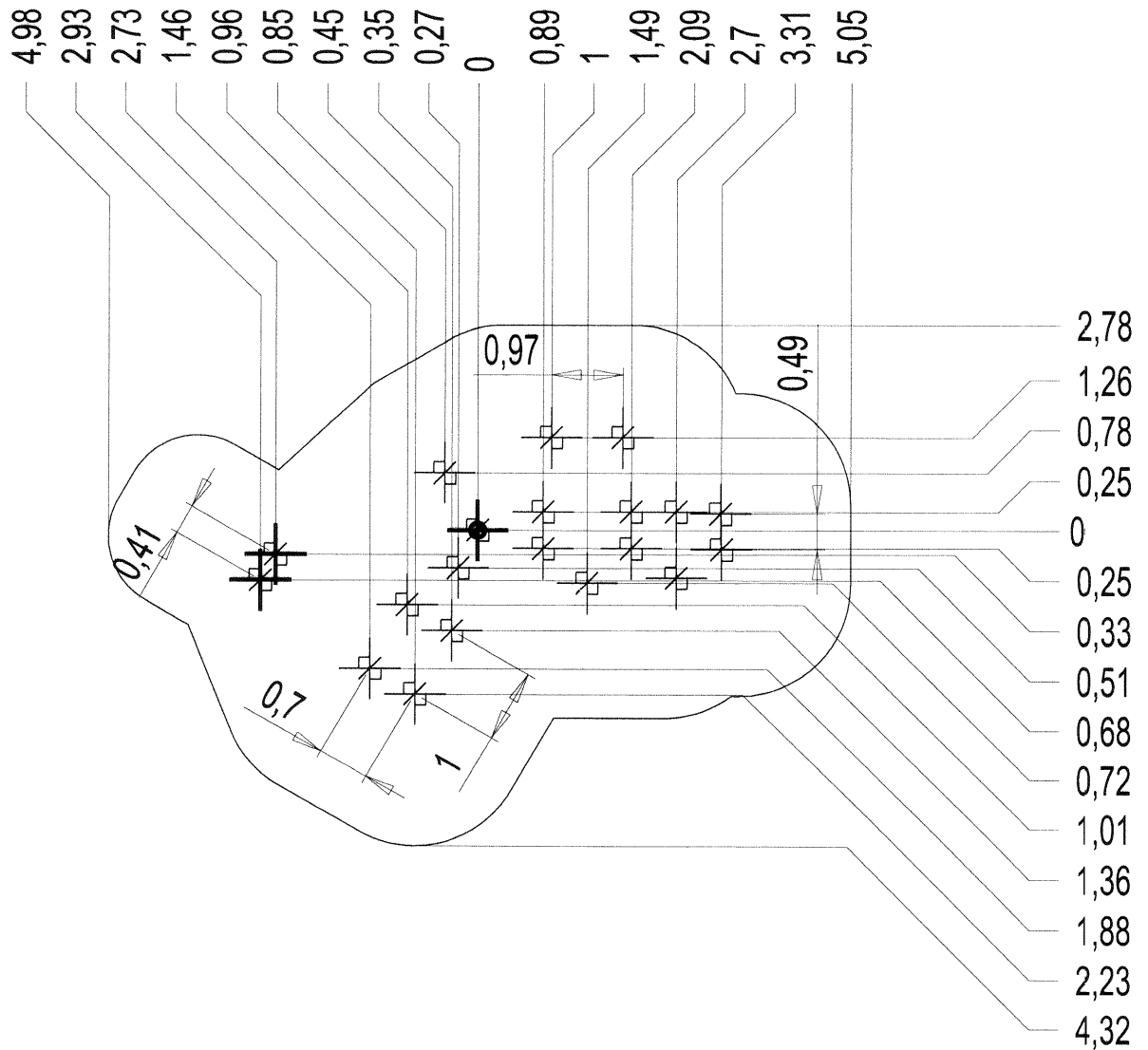


— Sol souple 48 m²
 Wetpour
 Caucho Continuo
 Synthetischer Fallschutz
 Gietvloer

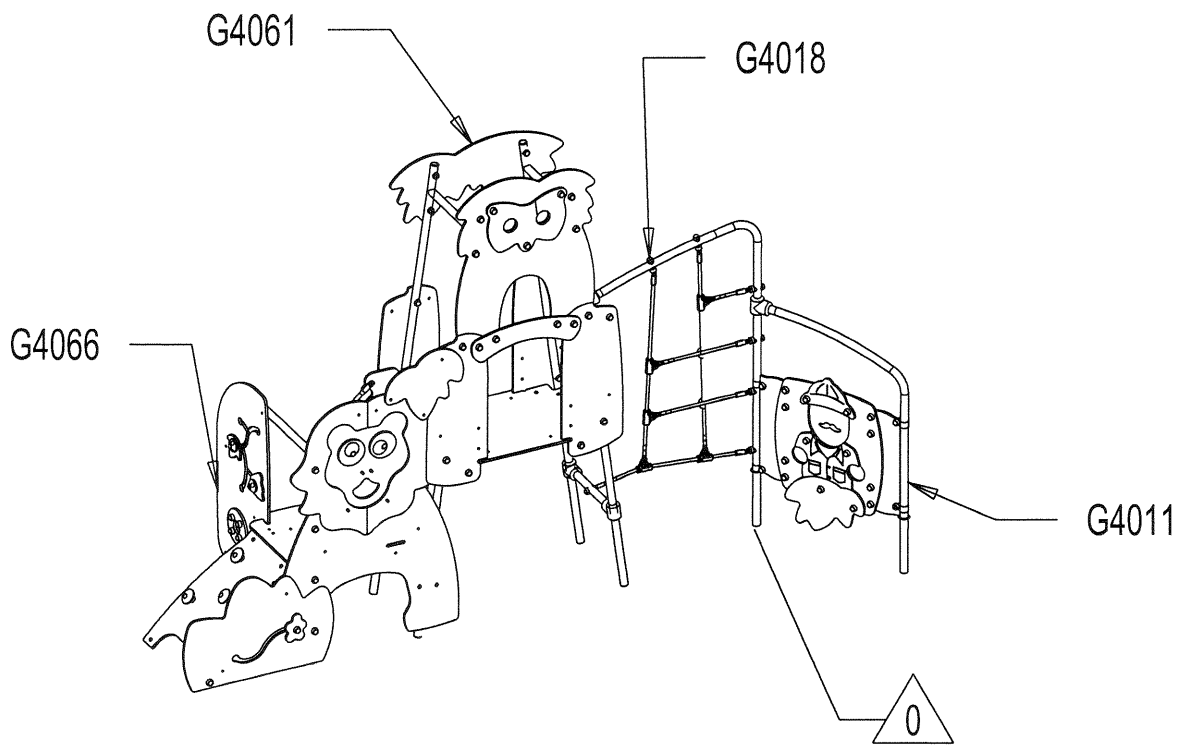




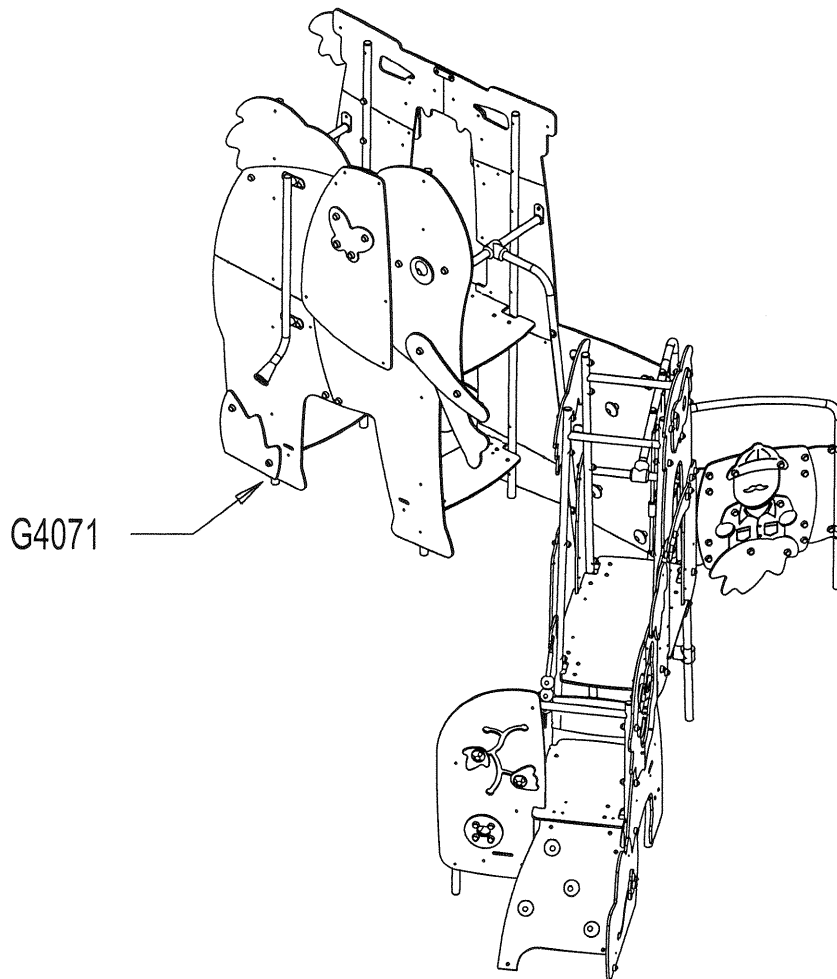
Implantation
 Footing plan
 Implantación
 Fundamentplan
 Funderingstekening



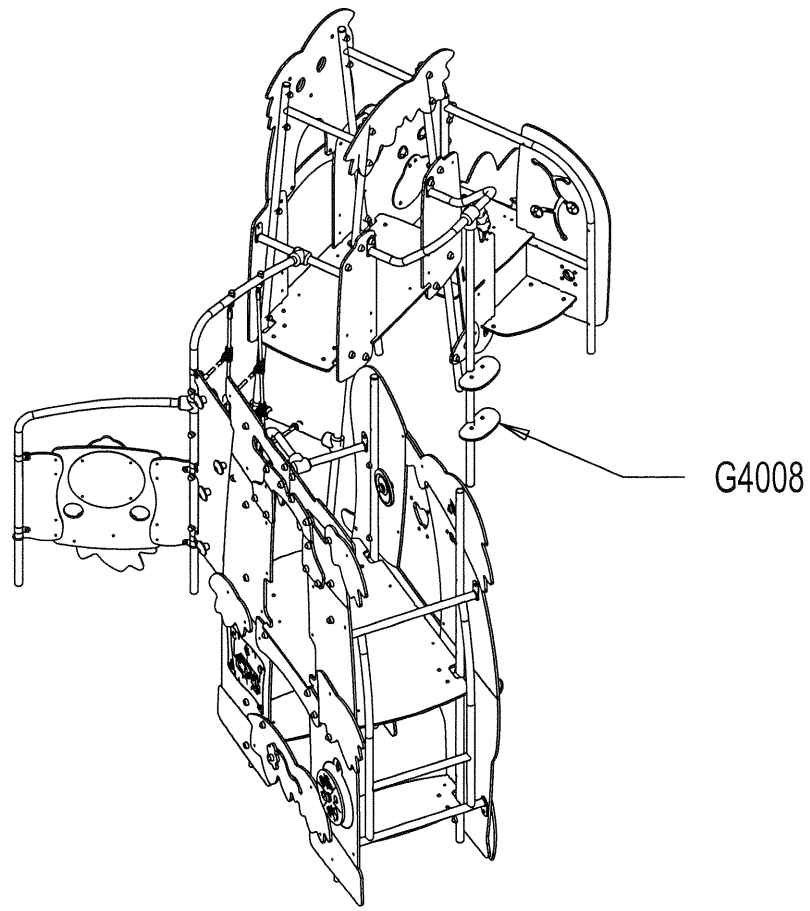
1



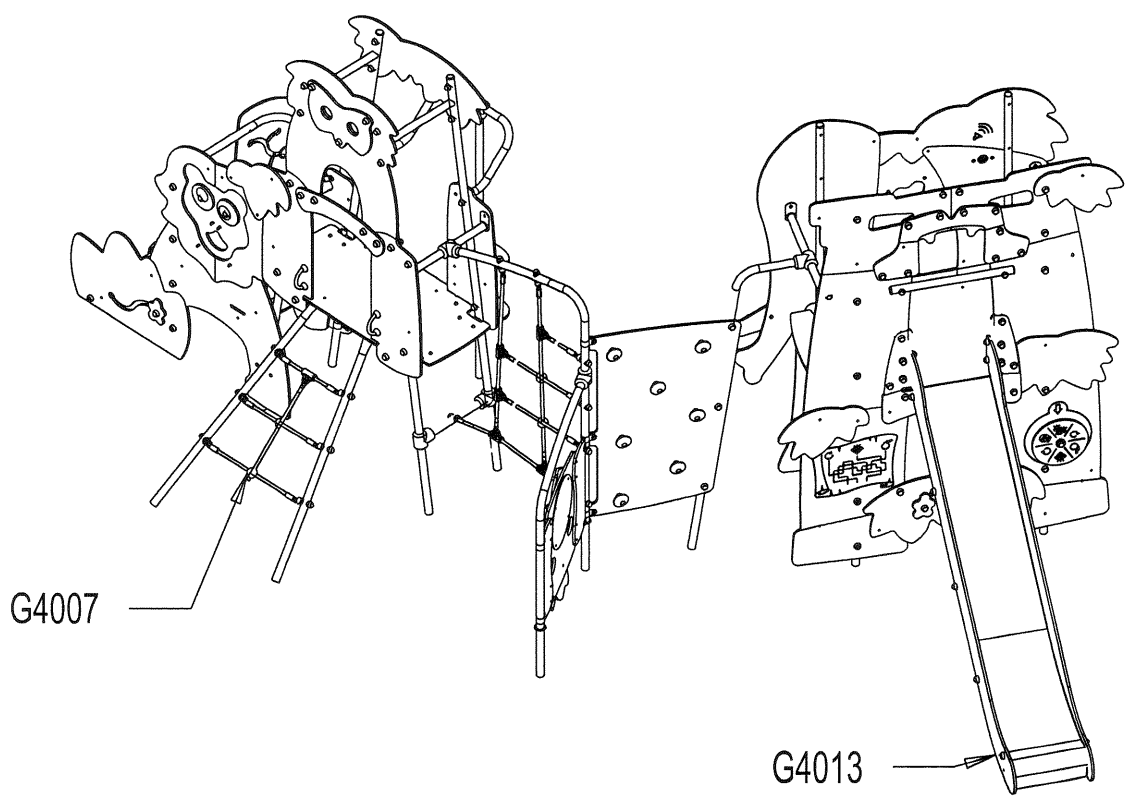
2

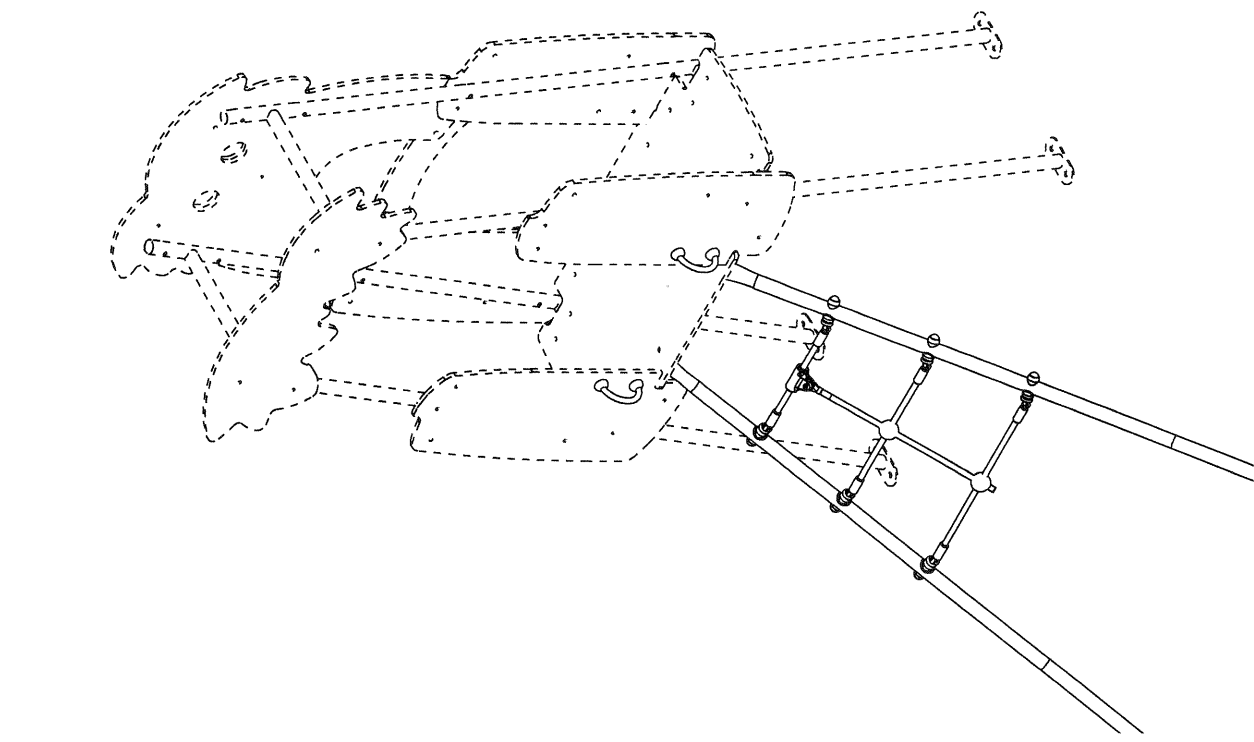


3

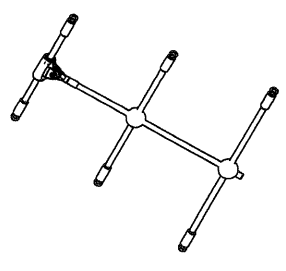


4





L4002 x1

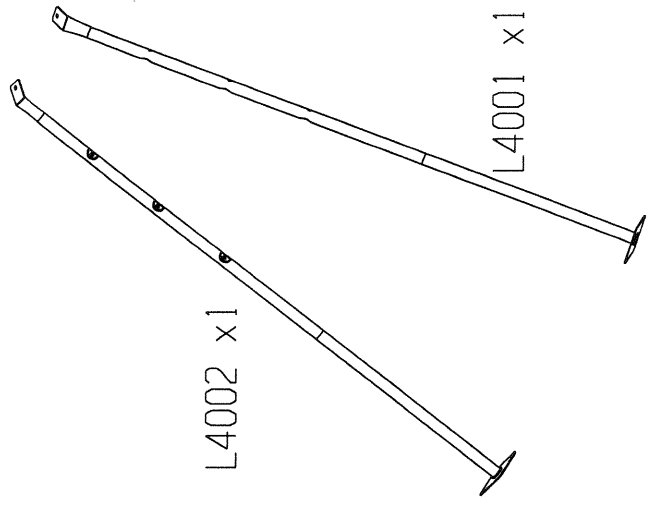


L4001 x1

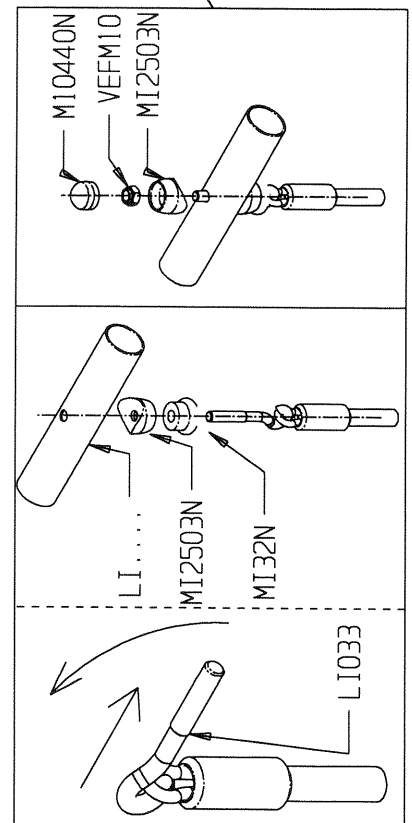
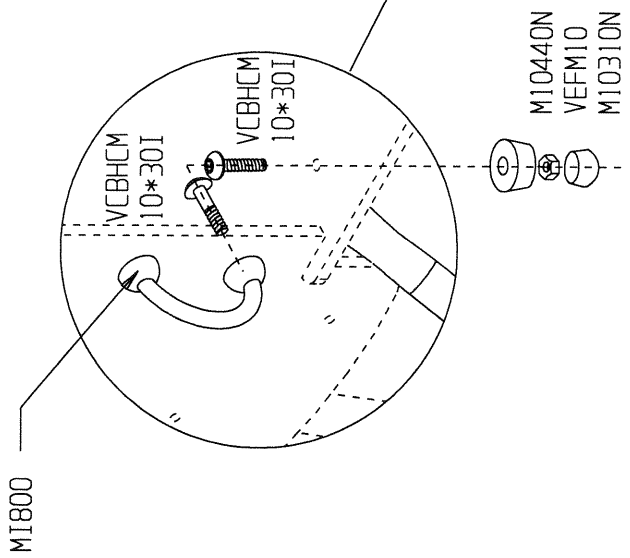
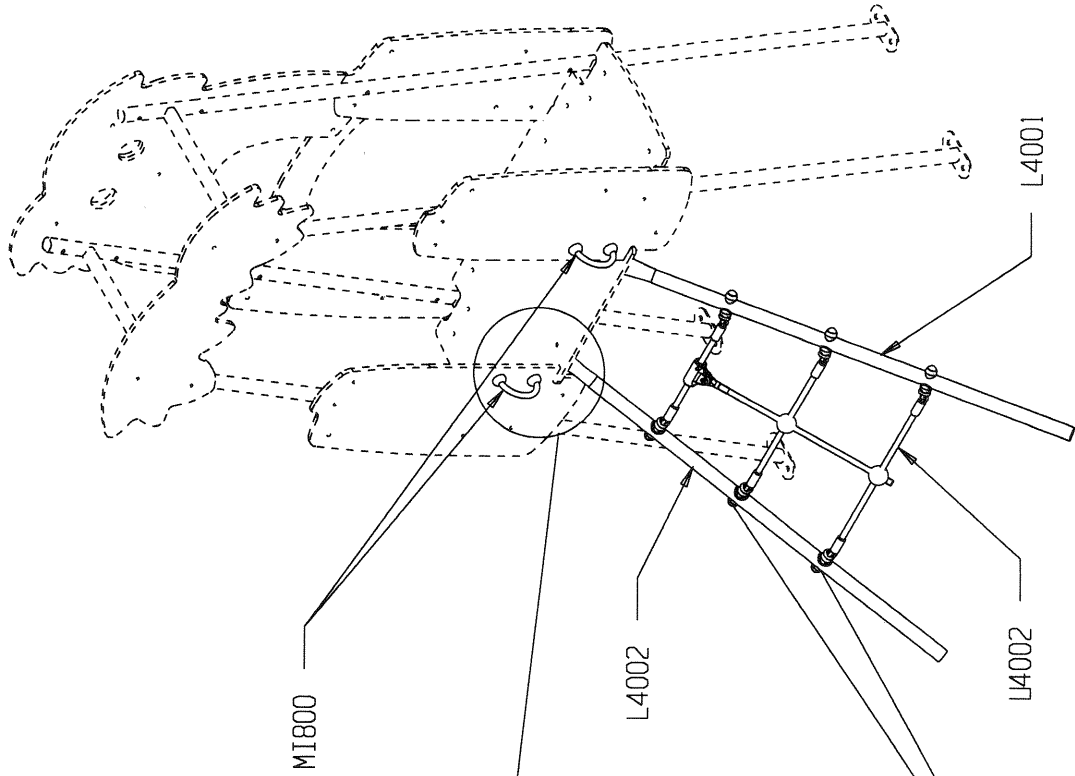


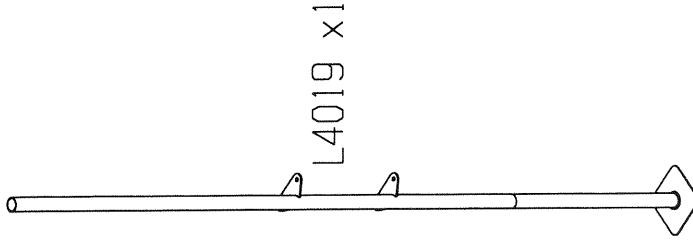
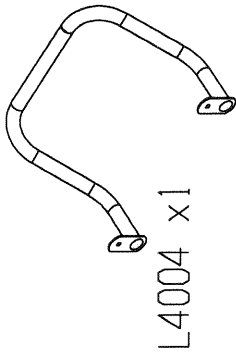
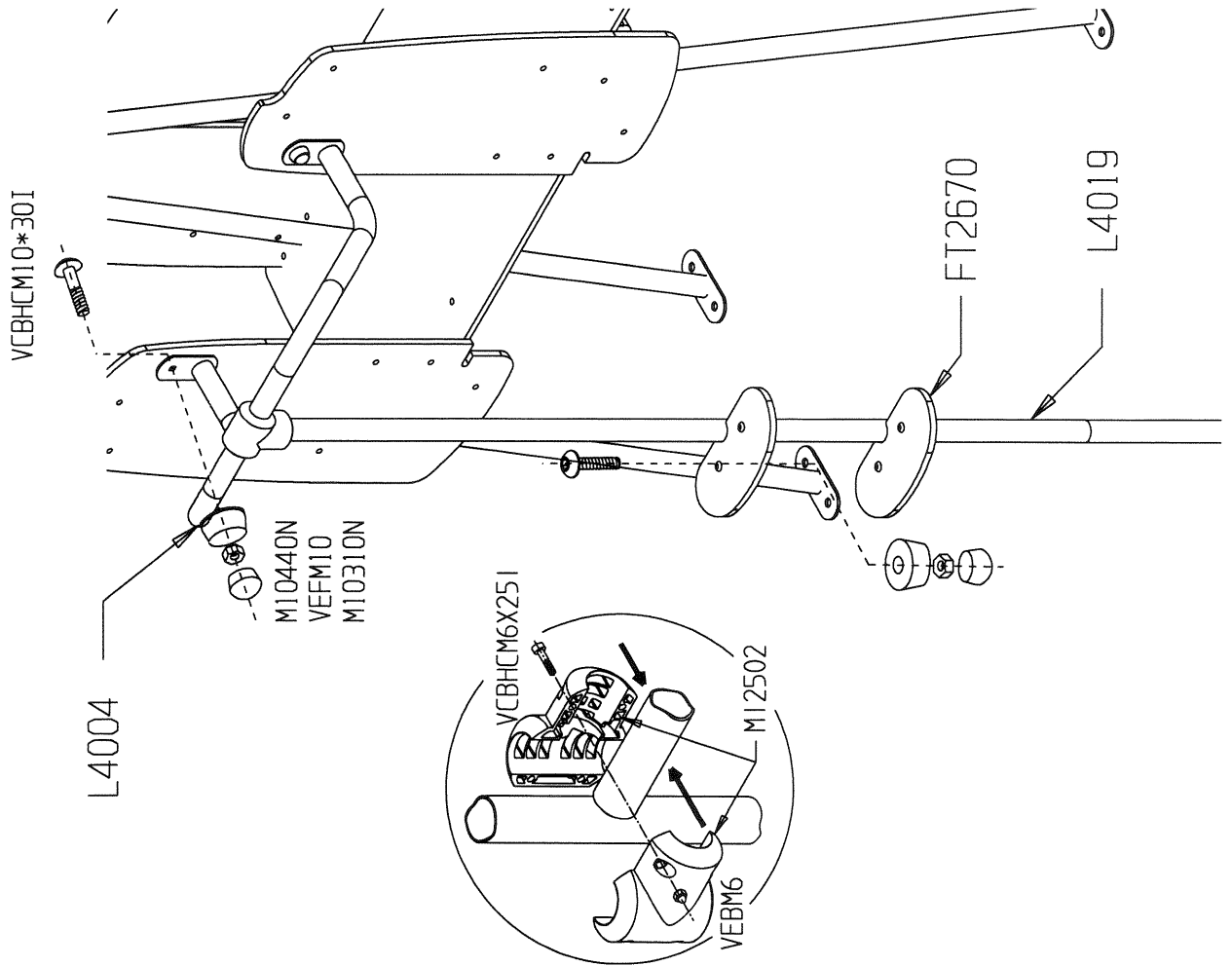
MI800 x2

L4002 x1

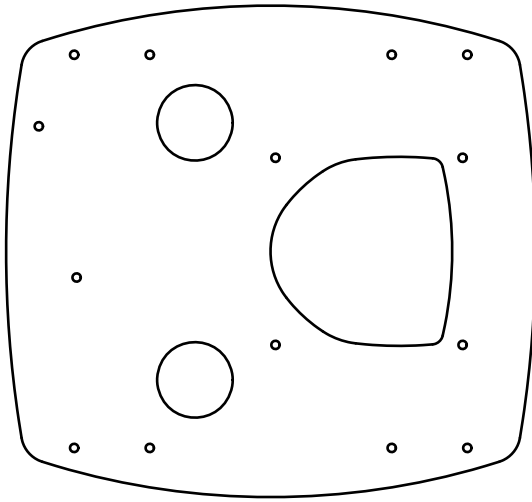
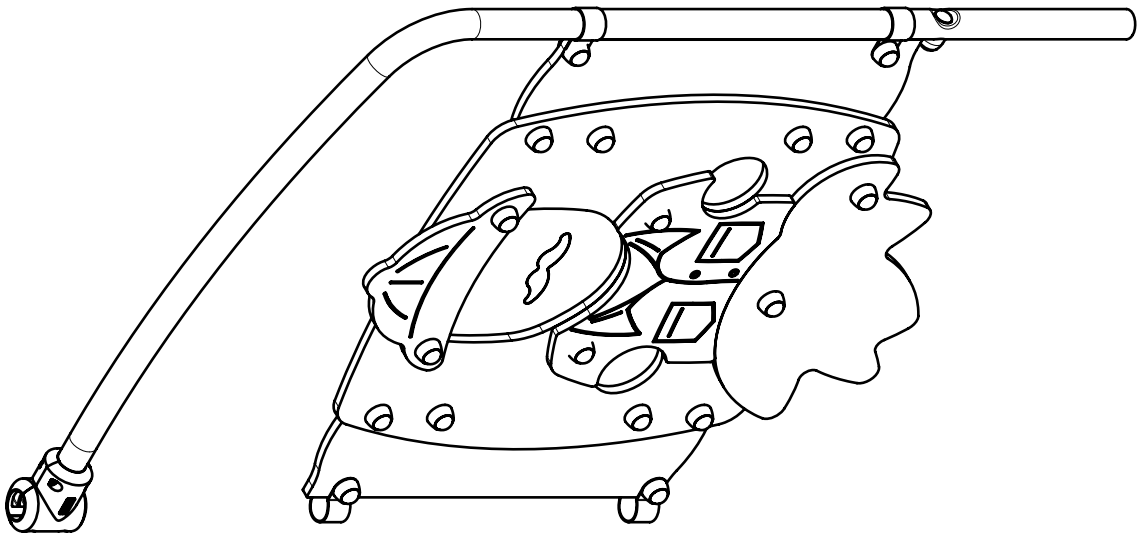


	L1033	6
	M132N	6
	M12503N	12
	M10440N	8
	VEFM10	8
	VCBHC10*30I	6
	M10310N	2

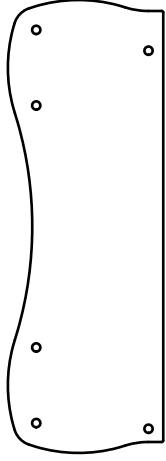




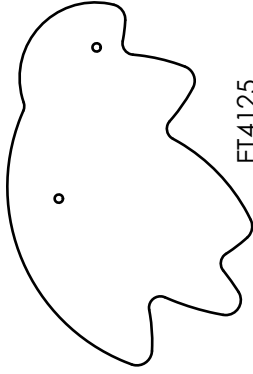
	VCBHC10*30I	4
	M10310 N	4
	M10440 N	4
	VEFM10	4
	VCBHC6*25I	4
	VEBM6	4



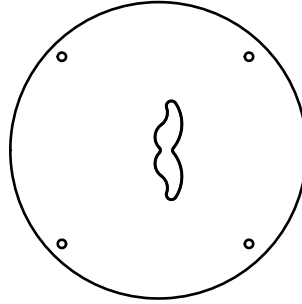
ET4126



ET3406



ET4125



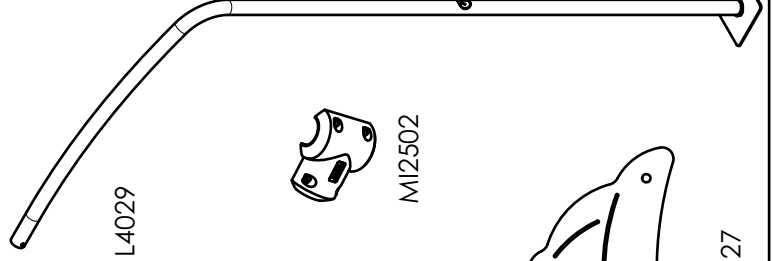
SA4000



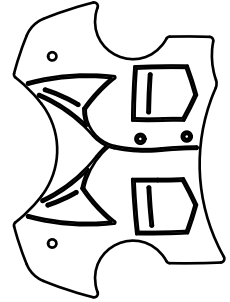
LI4505



MI2502



L4029

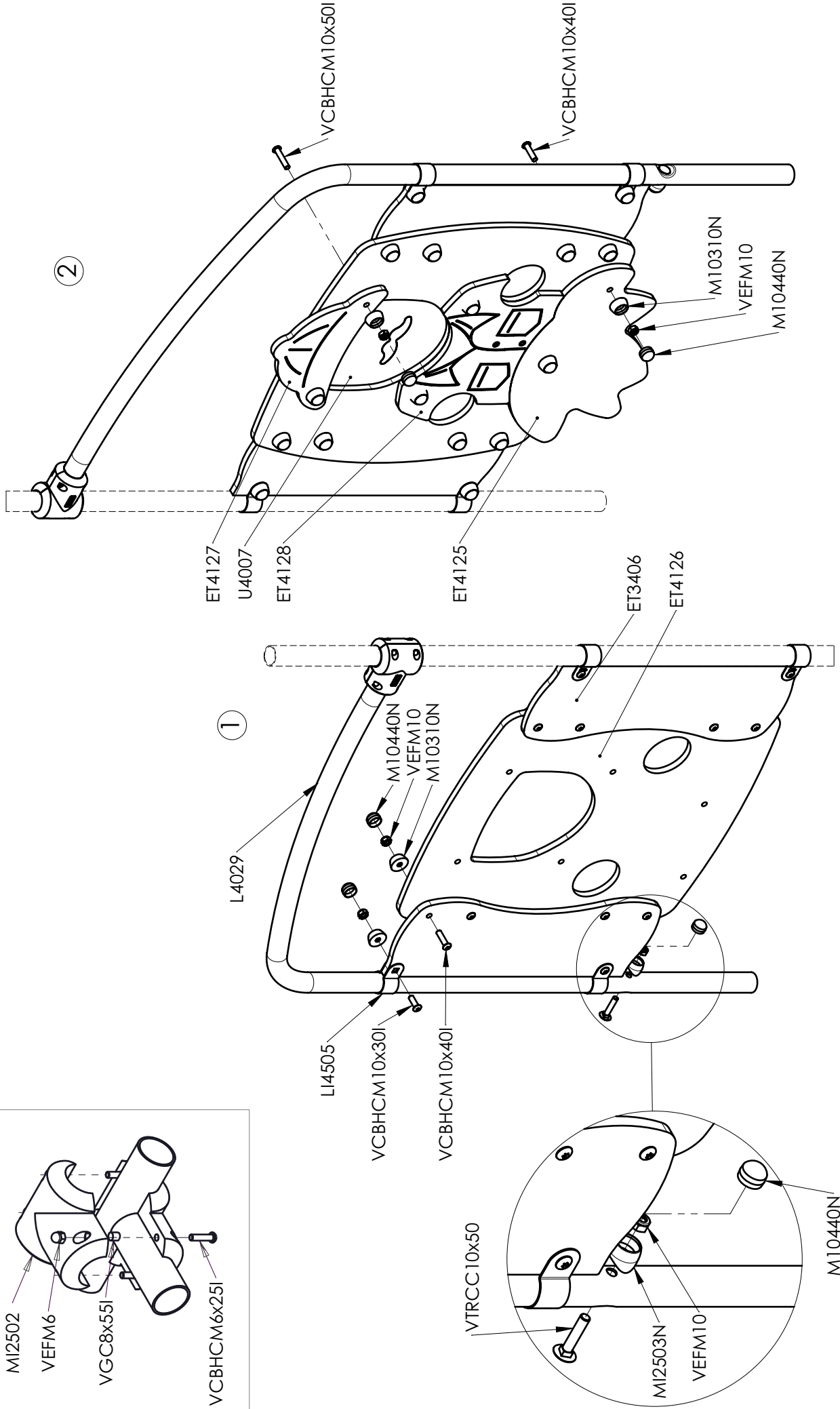
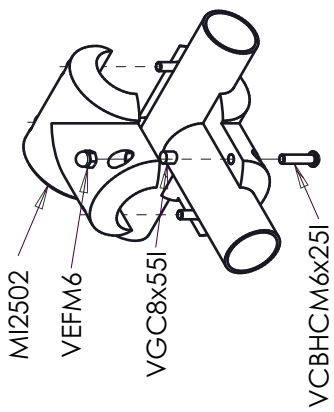


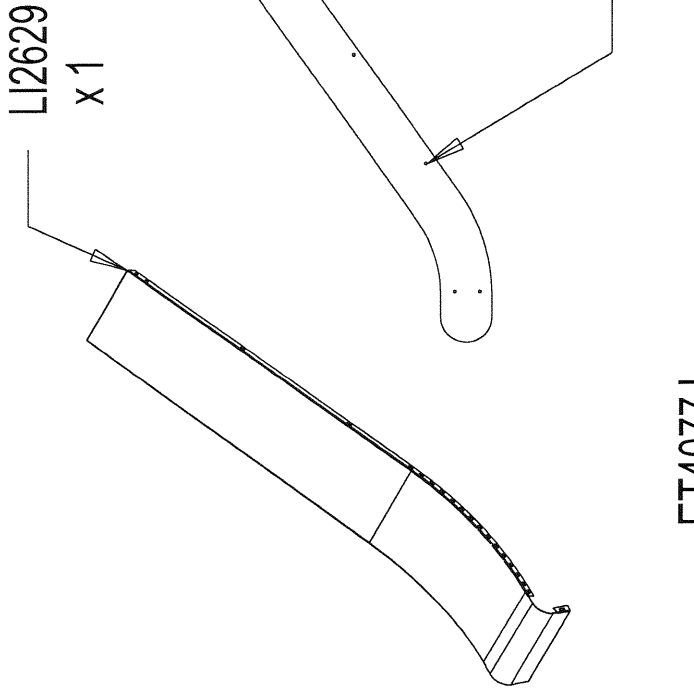
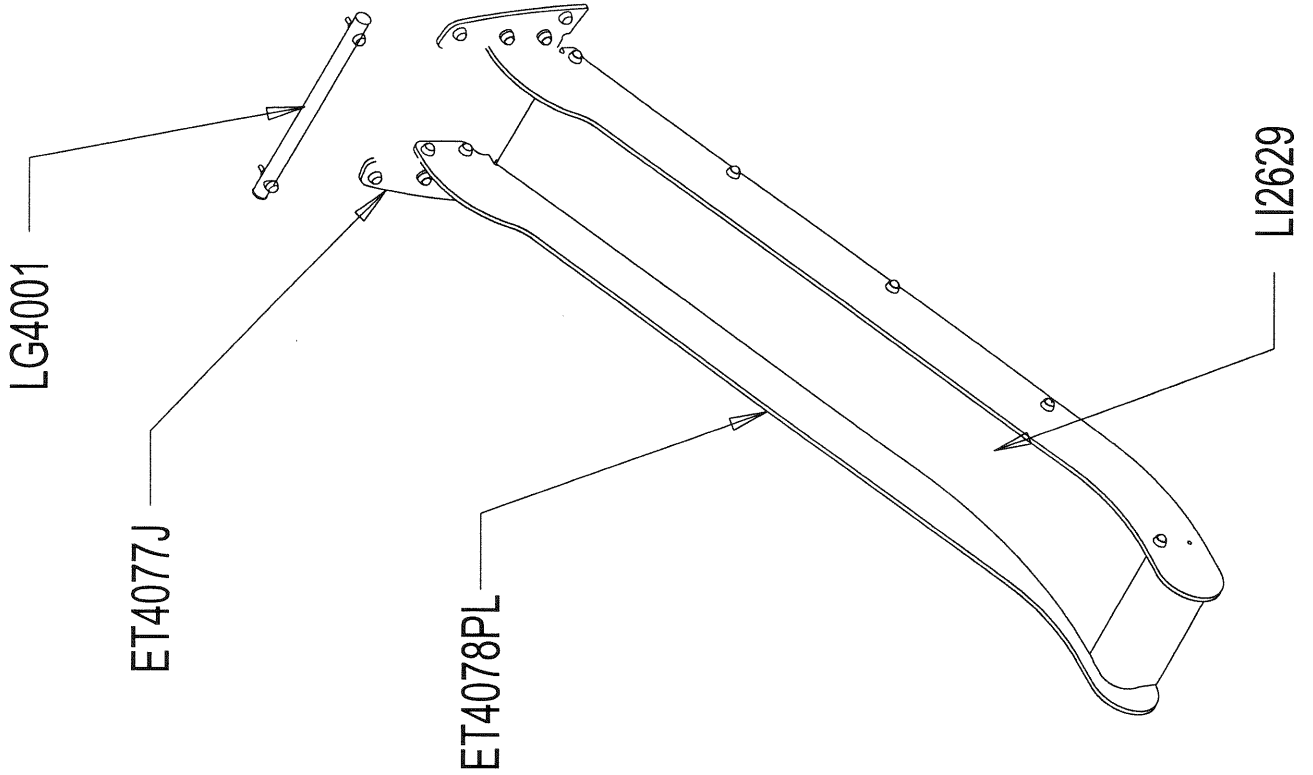
ET4128



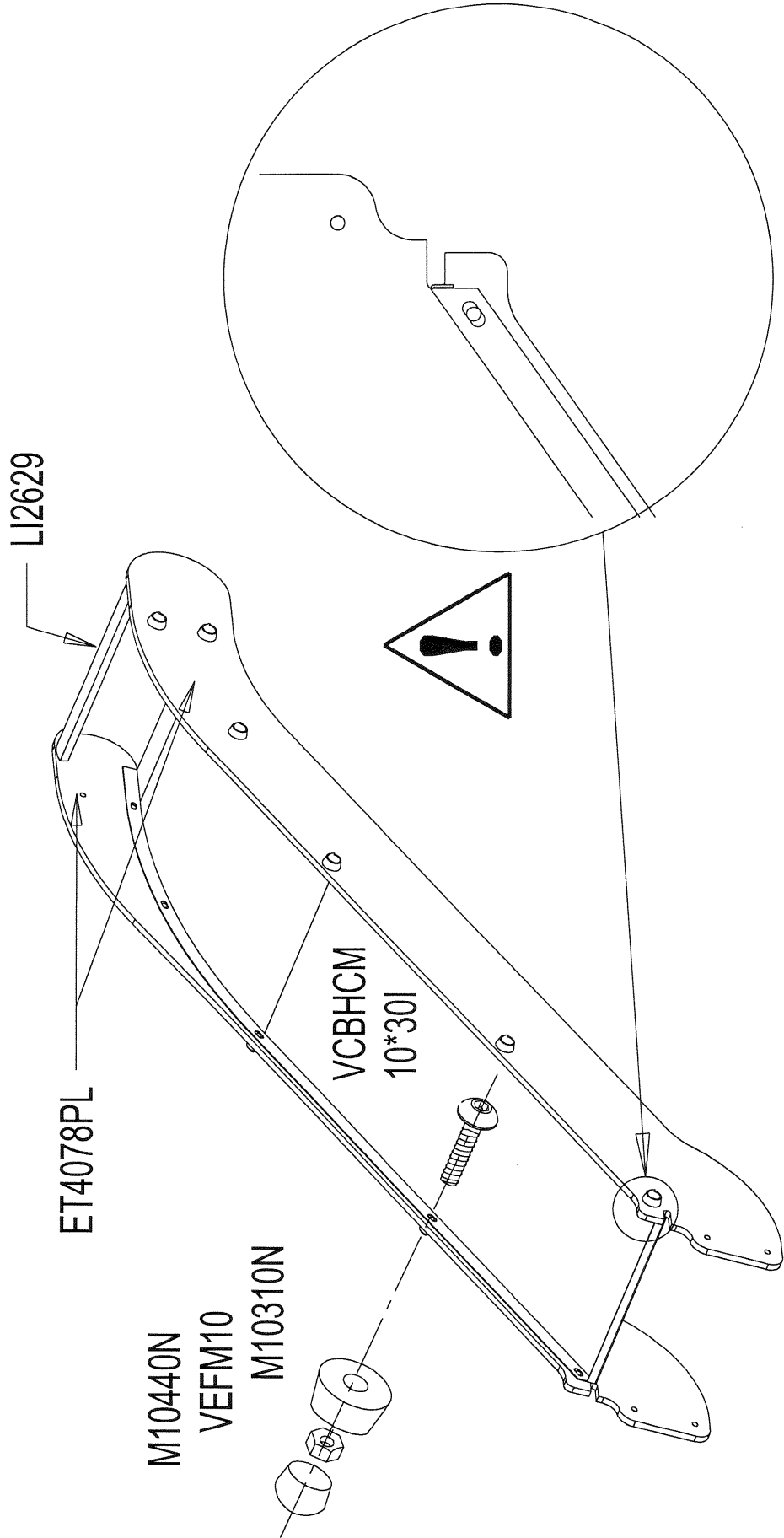
ET4127

Réf	Qté
ET3406PL	2
ET4125PV	1
ET4126PV	1
ET4127PL	1
ET4128PL	1
L4029	1
LI4505	4
M10310N	18
M10440N	19
MI2502N	2
MI2503N	1
U4007	1
VCBHCM10x30I	4
VCBHCM6x25I	4
VCBHCM10x50I	4
VCBHCM10x40I	10
VEBM6	4
VEFM10	19
VGC8x55I	1
VTRCC10x50	1

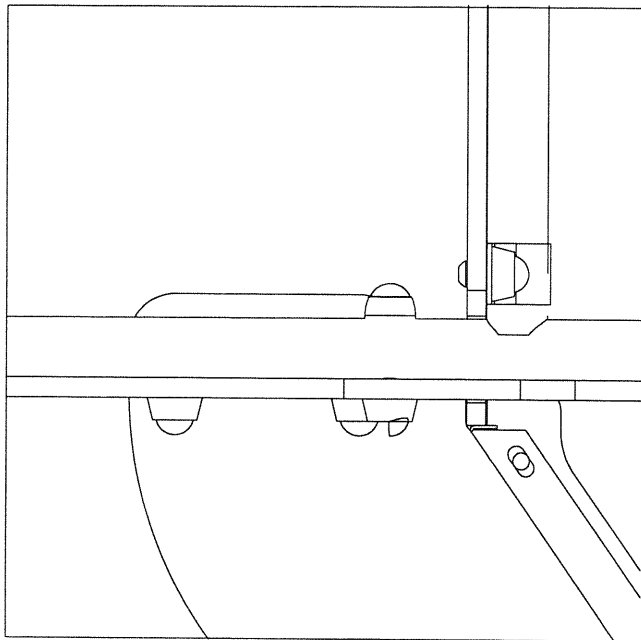




	P20	4
	VEFM10	26
	VCBHC M10*30I	22
	VTH10*70	4
	M10310N	22
	M10440N	22
	M42	2
	MI2503N	2



3/3

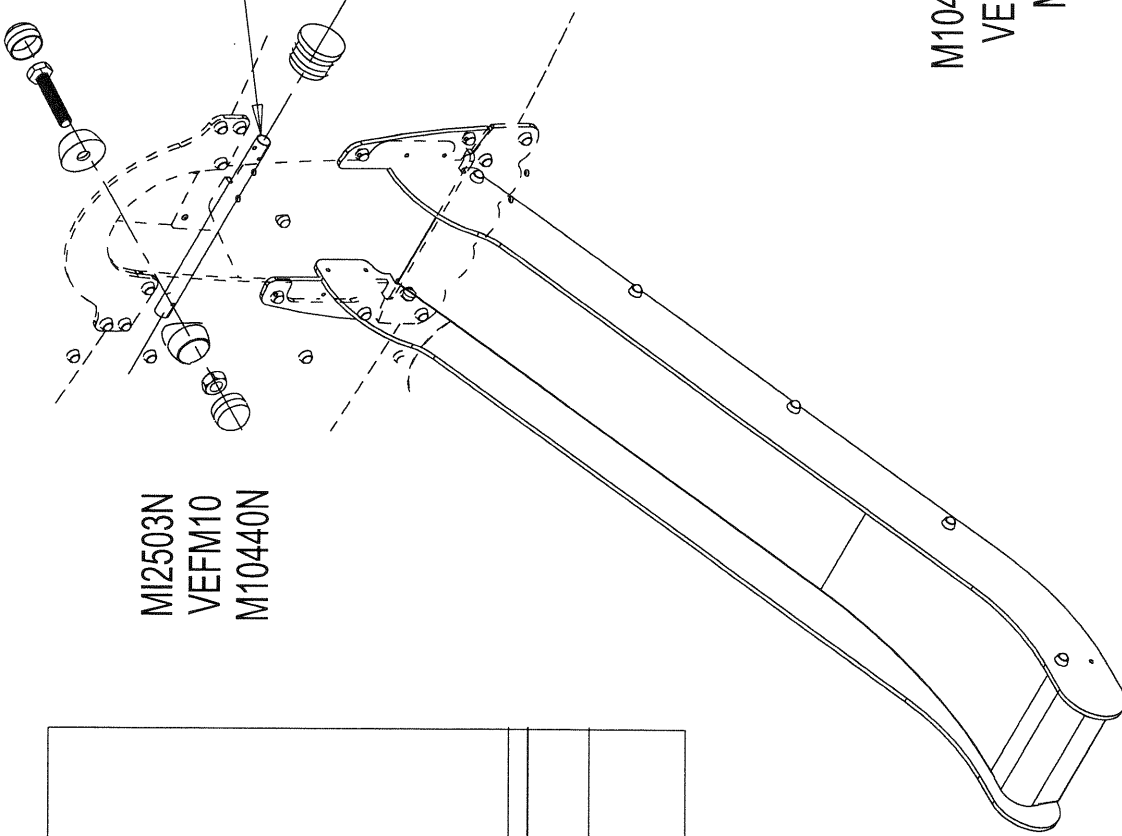


M12503N
VEFM10
M10440N

M10440N
VTH10X70
M10310N

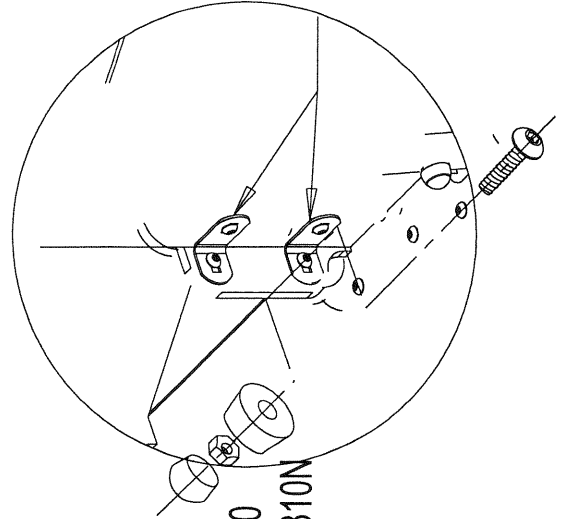
LG4001

M42



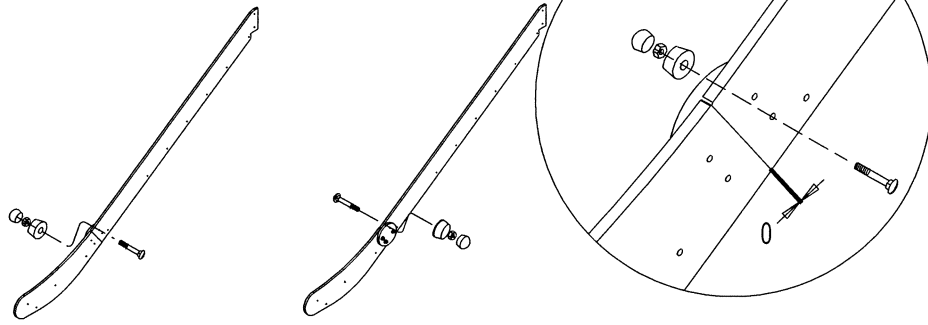
M10440N
VEFM10
M10310N

P20

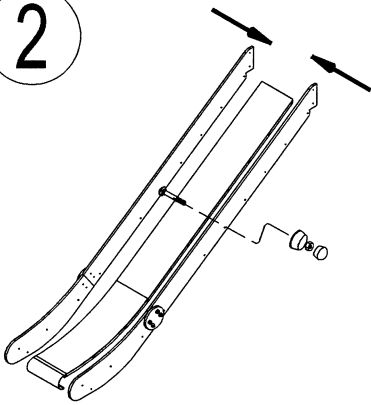


VCBHC10*30I

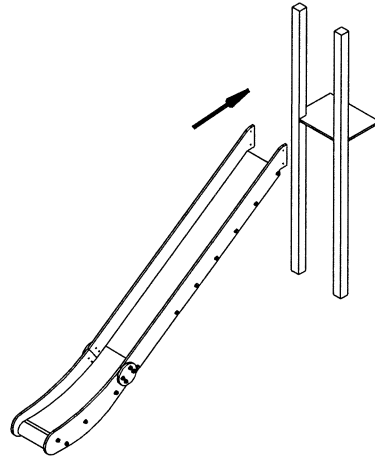
1



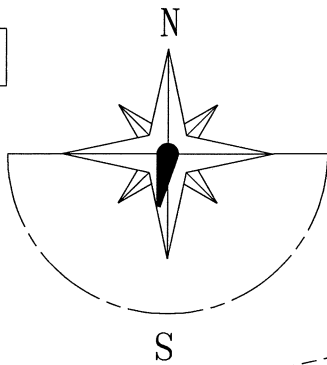
2



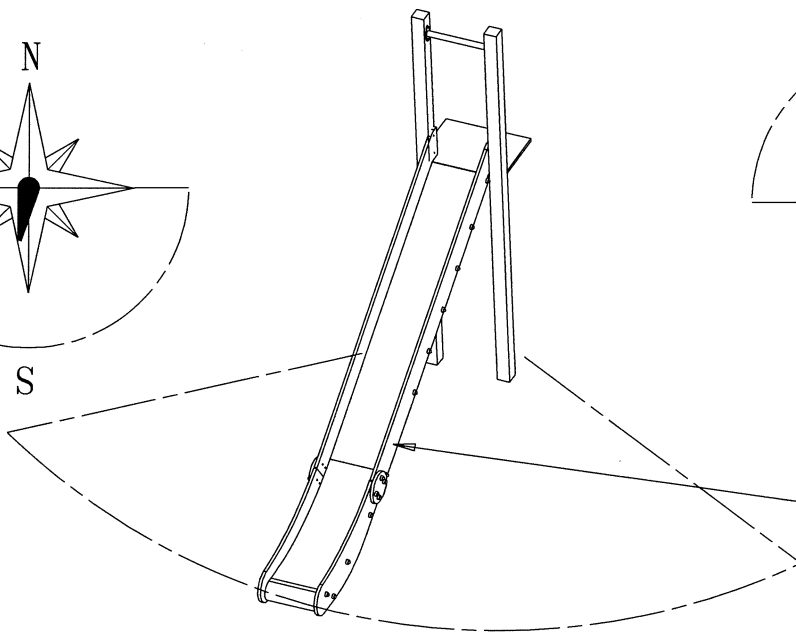
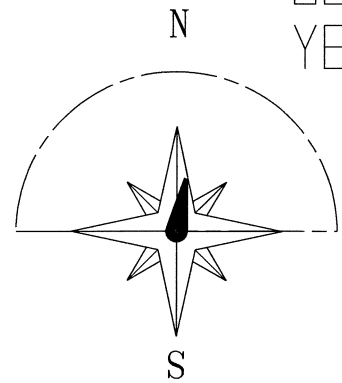
3



NON
NO



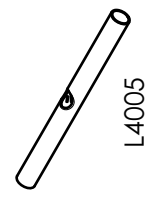
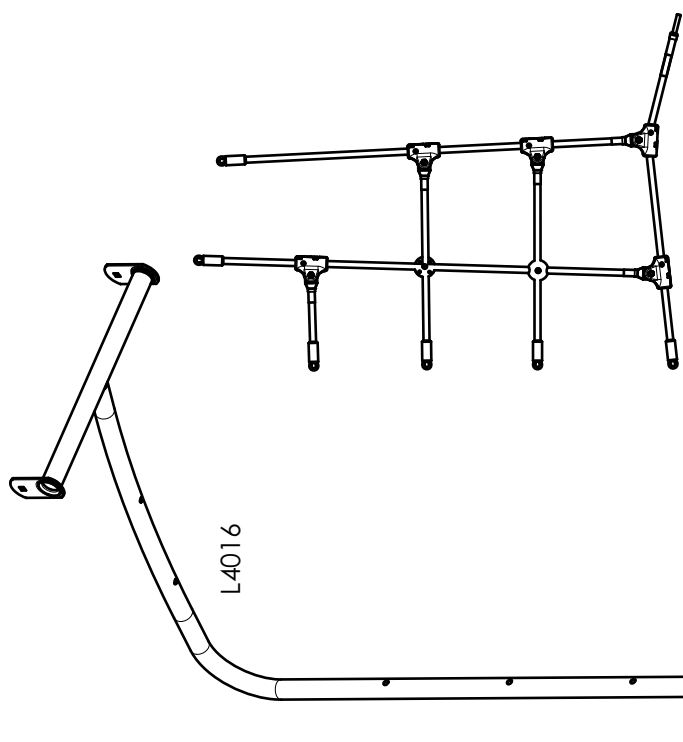
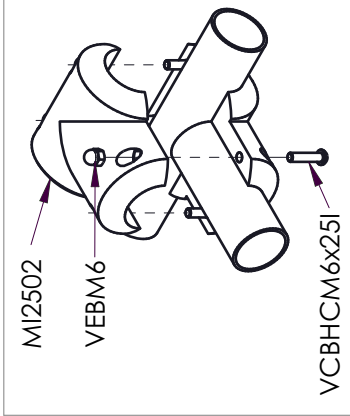
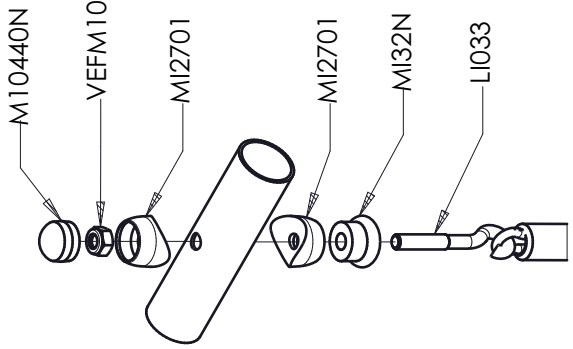
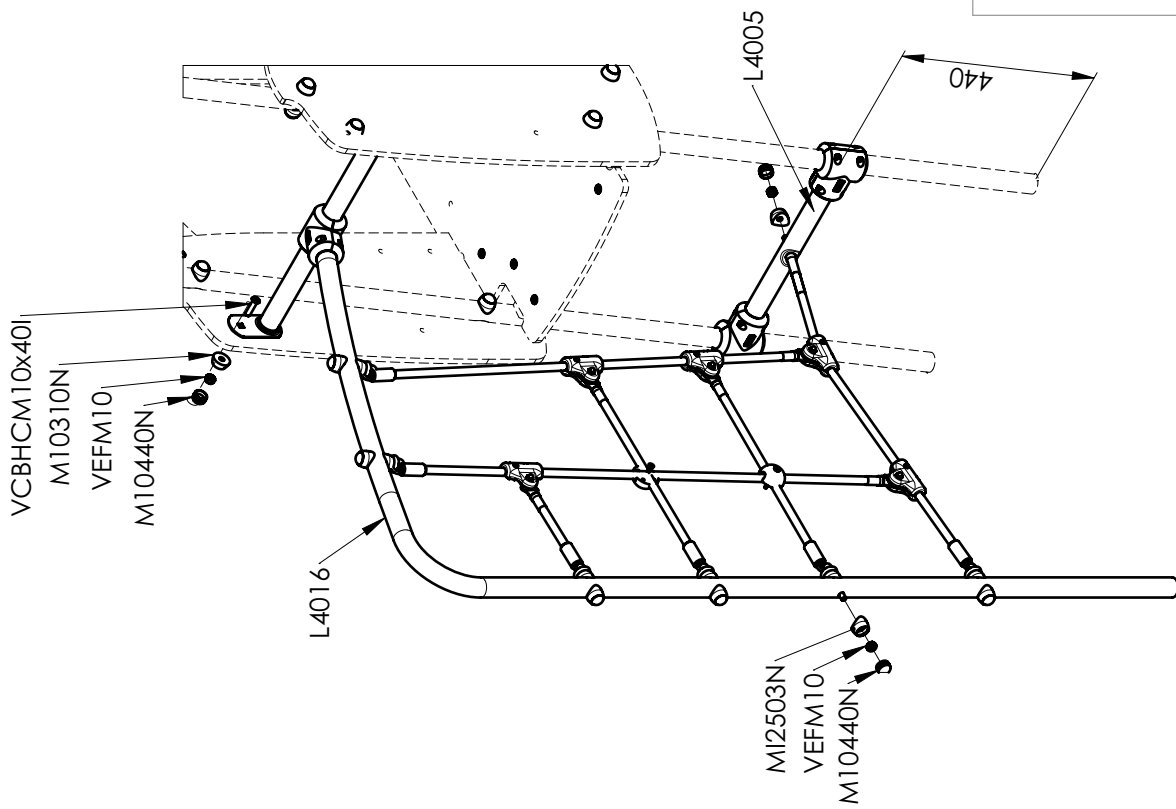
OUI
YES



STOBG

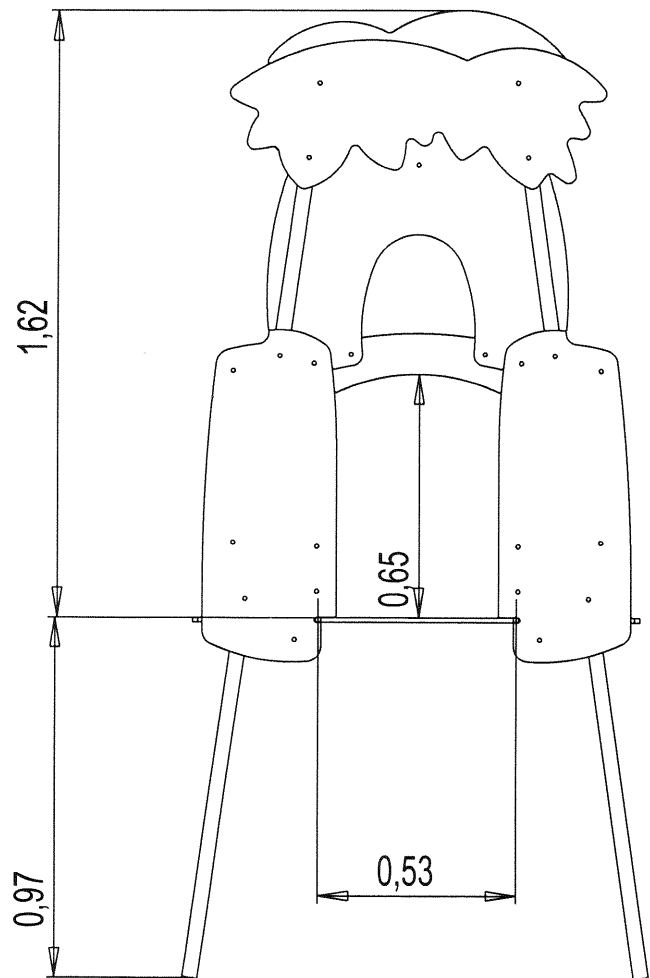
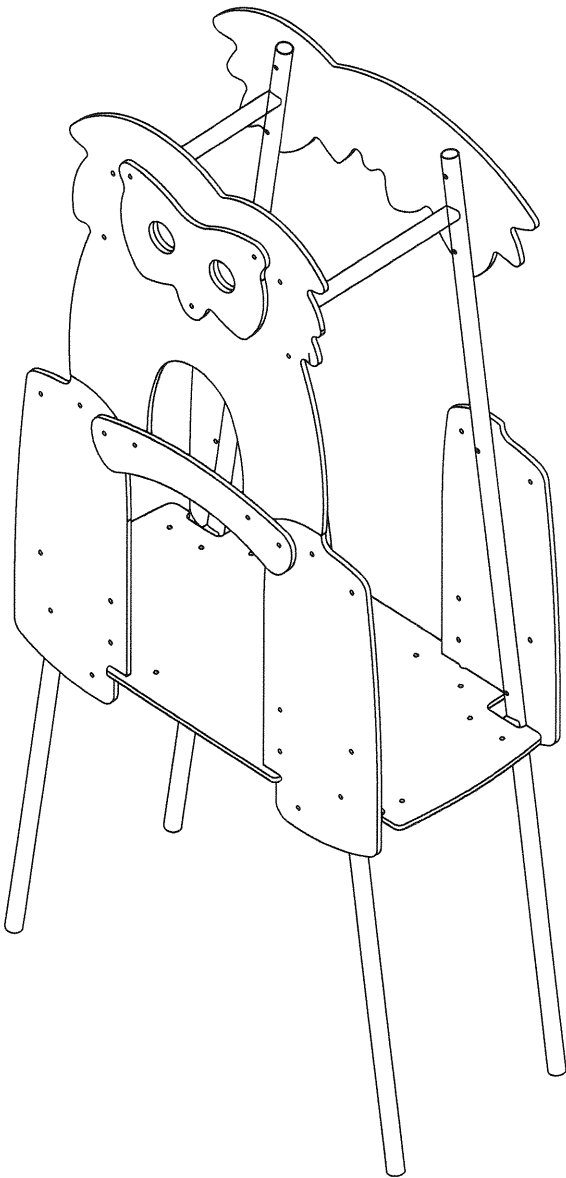
FR

Il est recommandé de ne pas orienter la glissière Sud / Sud Ouest

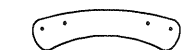
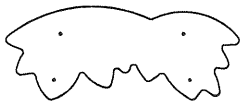


U4000

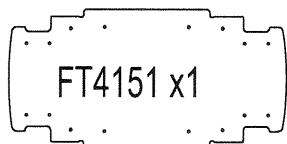
Réf	Qté
L4005	1
L4016	1
LI033	6
M10310N	2
M10440N	9
MI32N	6
MI2502N	6
MI2503N	13
U4000	1
VCBHCM10x40I	2
VCBHCM6x25I	12
VEBM6	12
VEFM10	9



ET4033PV x1

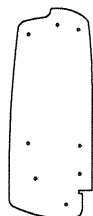


ET4026PL x1



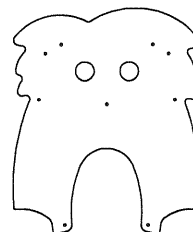
FT4151 x1

ET4032L x1

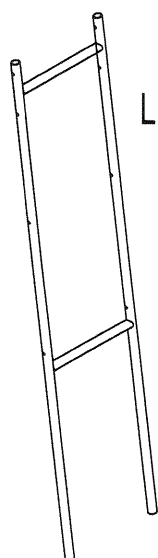


ET4152L x4


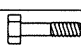
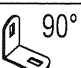

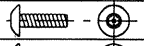
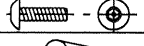
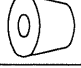


ET4153PV x1



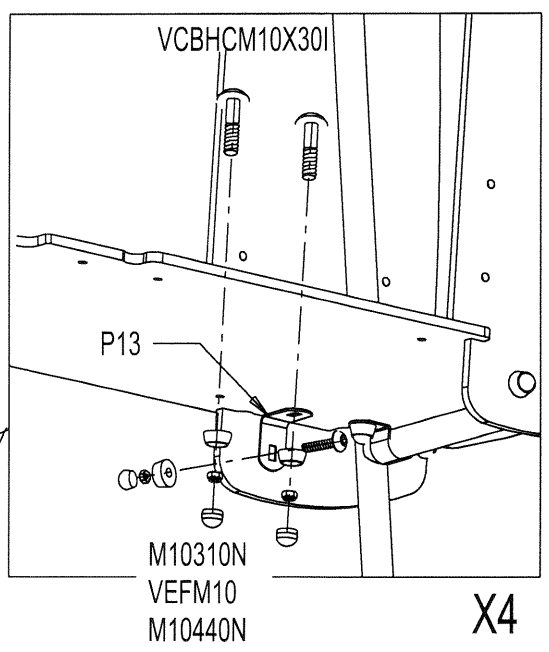
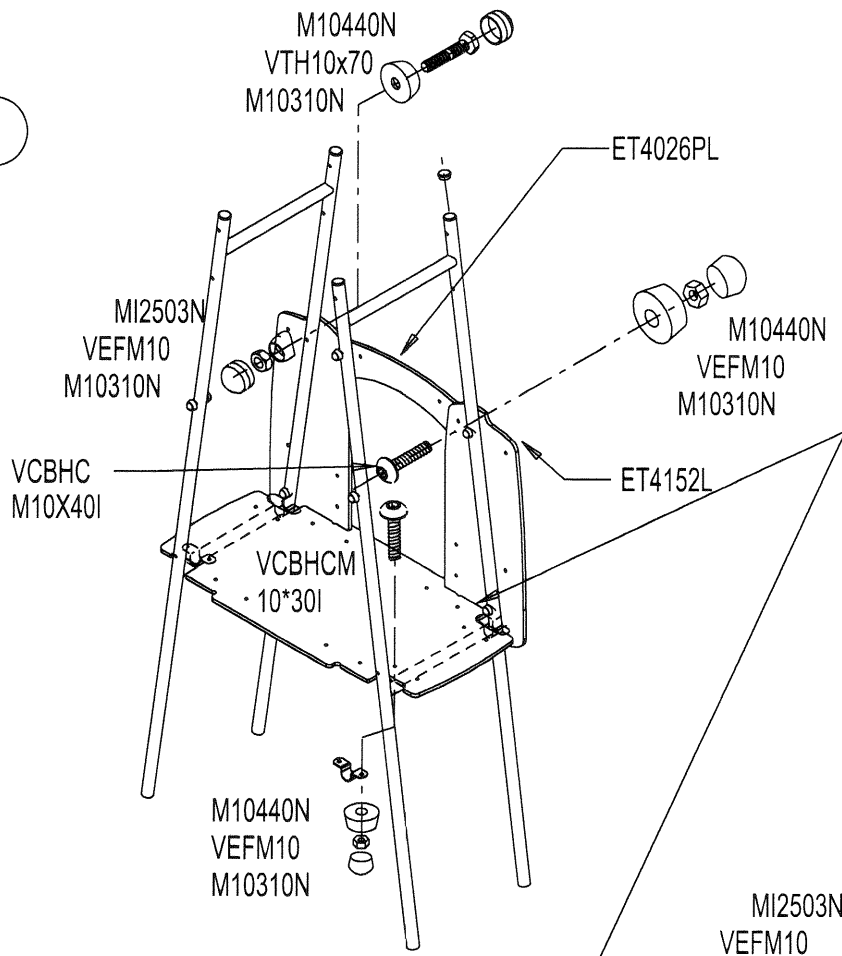
LI2610
x4



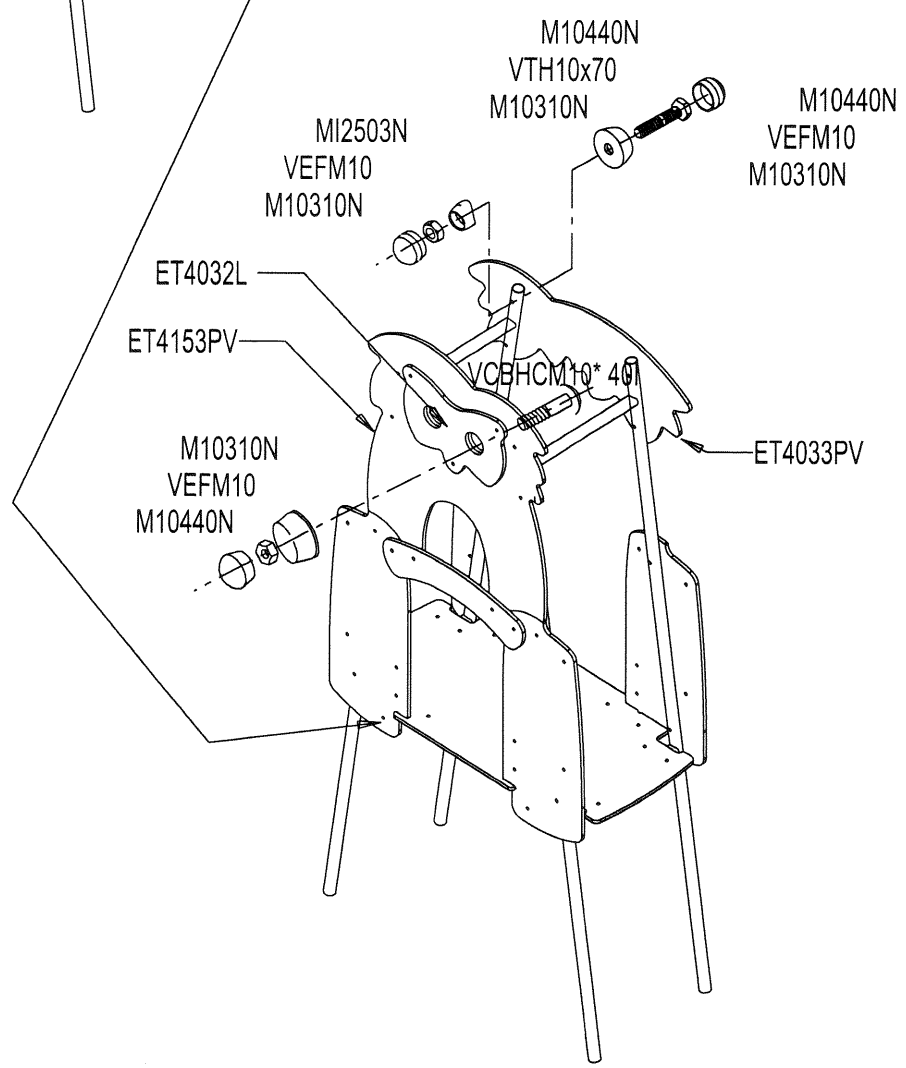
LG4002 x2

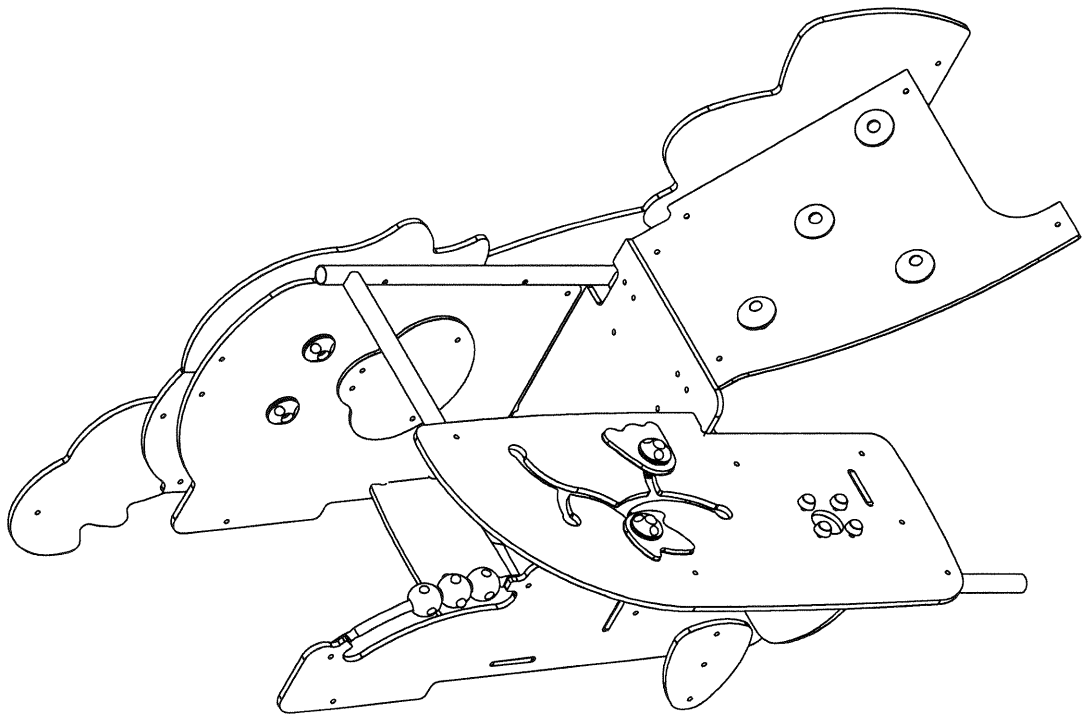
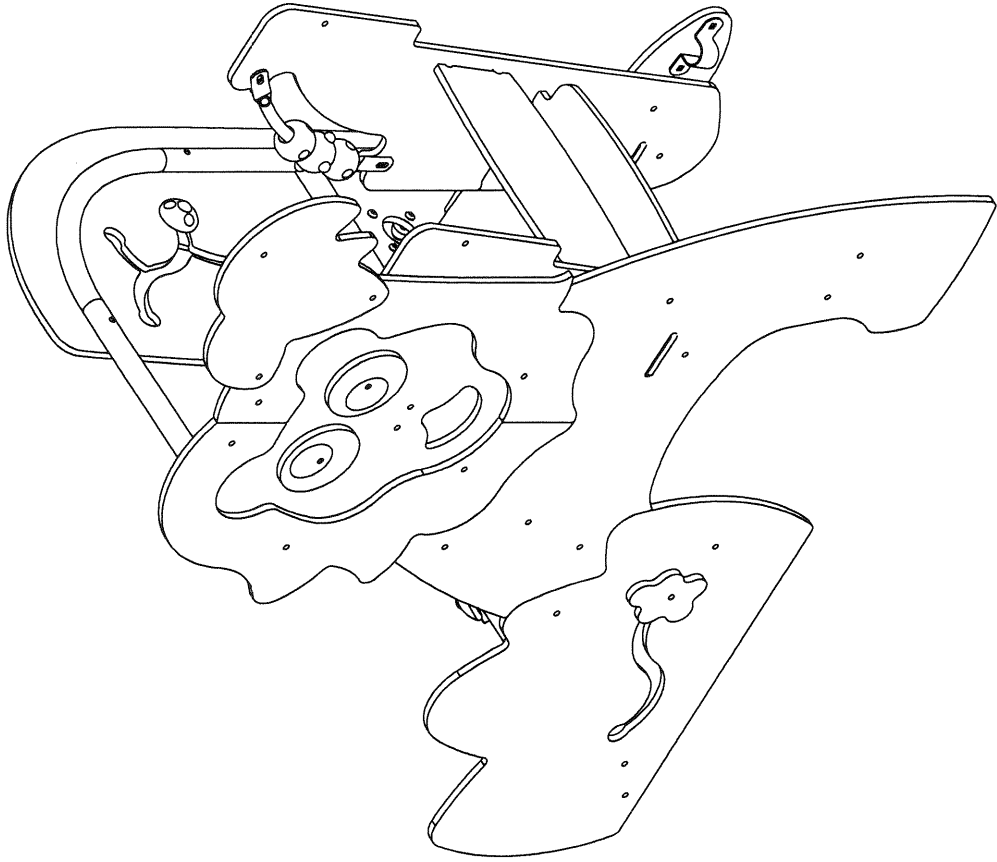
	MI2503N	16
	VTH 10x70	16
	70 mm :P13	4
	M42	4
	VCBHCM10*30I	16
	VCBHCM10*40I	7
	M10310N	39
	M10440N	55
	VEFM10	39

1

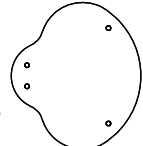


2

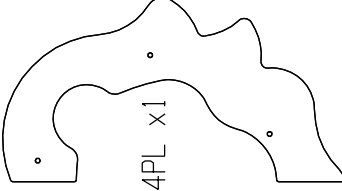




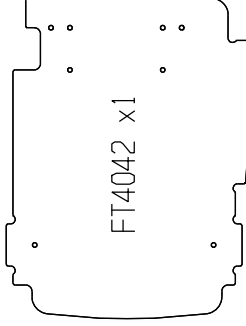
ET4145 x2



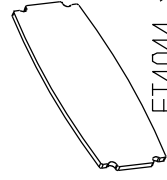
EM4144R x1



ET4134PL x1



FT4042 x1



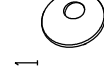
FT4044 x1



MI3800VX x2



MI3800J x1

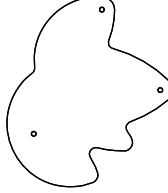


MI38000 x1

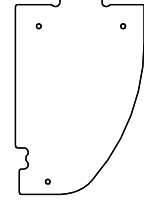
EP3425J x1



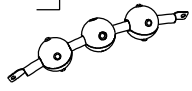
ET4022L x1



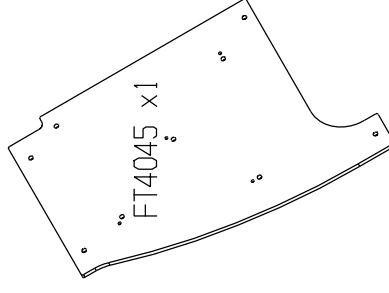
ET4132PV x1



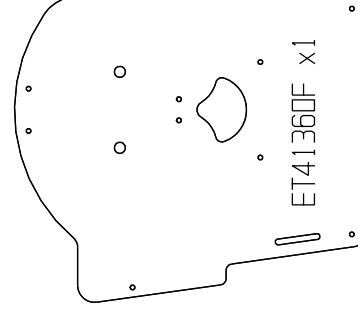
FT4043 x1



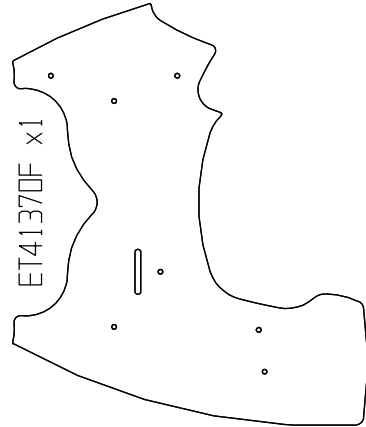
LI608 x1



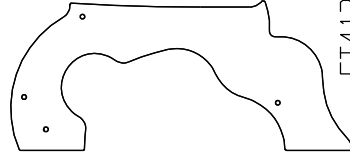
FT4045 x1



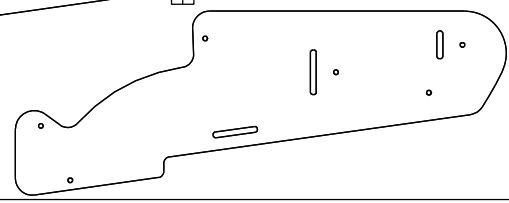
ET41360F x1



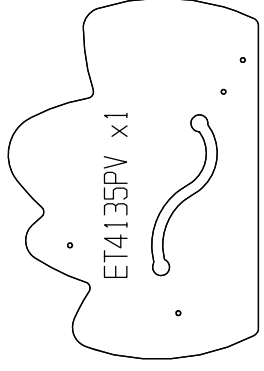
ET41370F x1



ET4133PL x1



ET4041PL x1



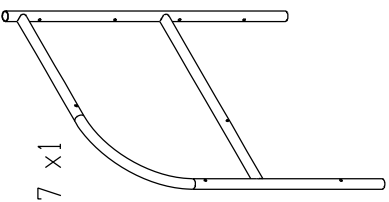
ET4135PV x1



MI323J x3



MI4700 x3



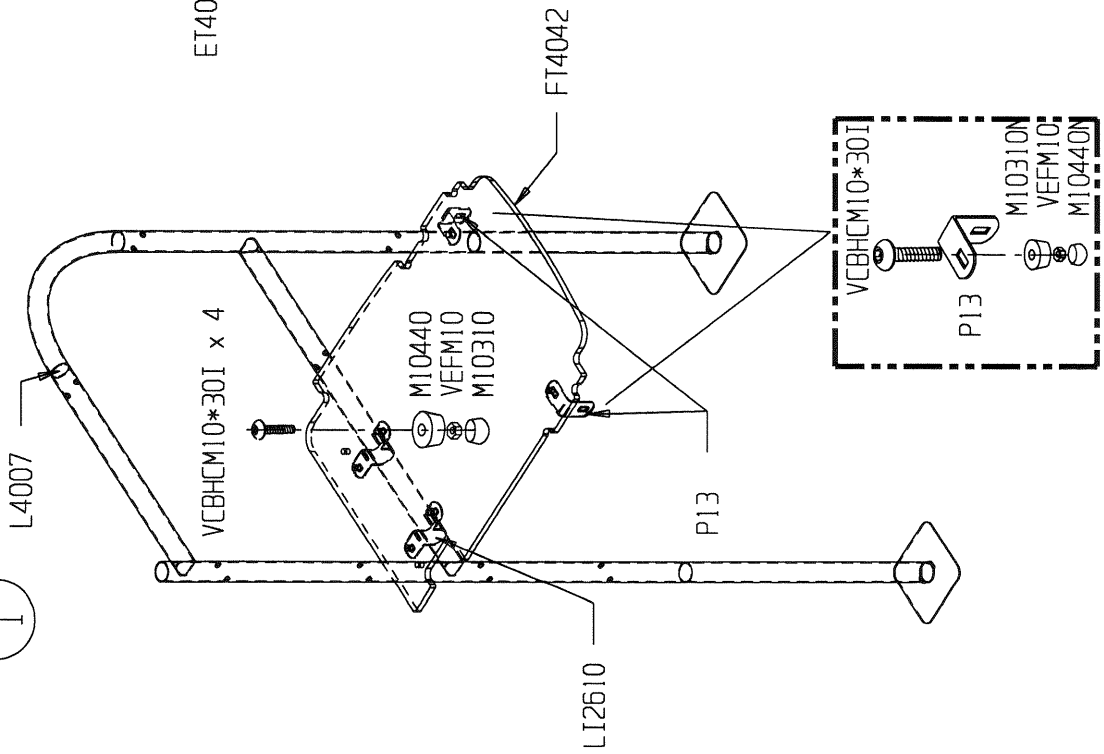
L4007 x1



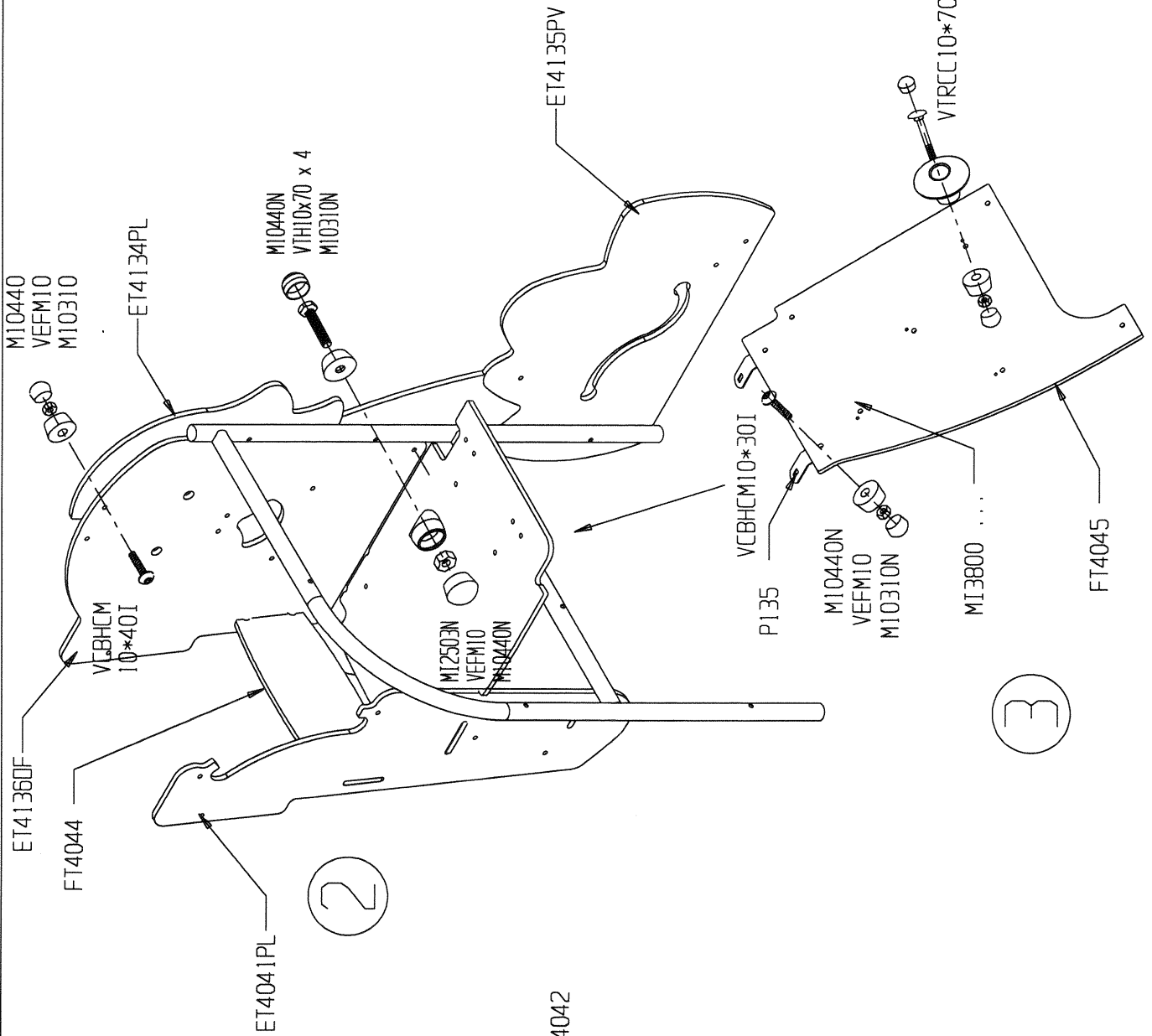
LI2610 X4

	VEFM10	53
	70 mm :P13	9
	MI2503N	6
	M42	1
	135° :P135	2
	M10310N	53
	M10440N	67
	VCBHC10x30I	29
	VCBHC10x40I	8
	VCBHC10x50I	2
	VTH 10x70	8
	VTH 10x60	3
	VIRCC10*70	4

1

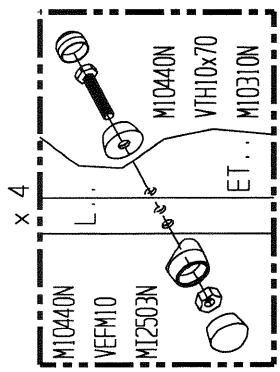
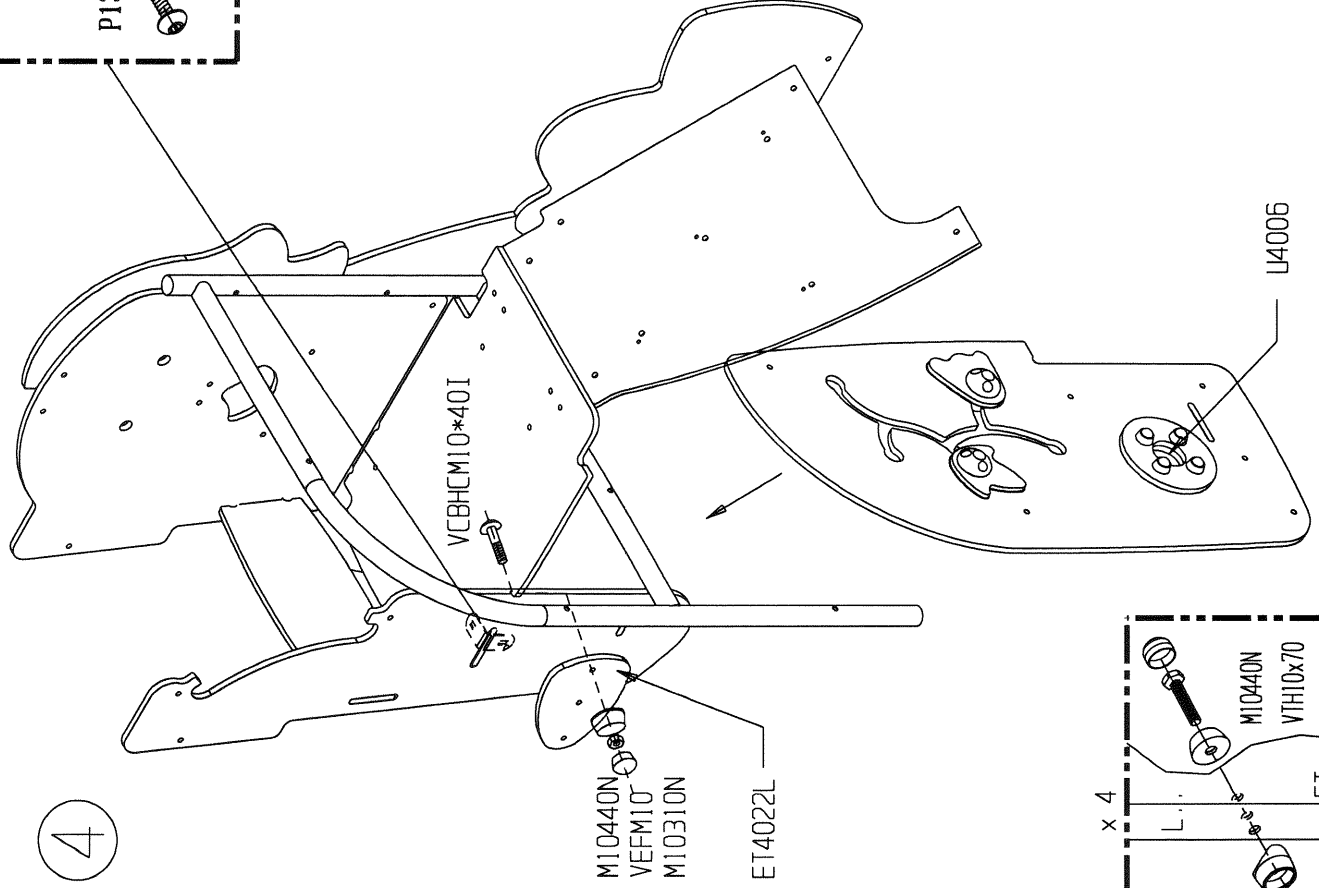
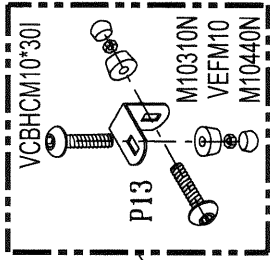


2

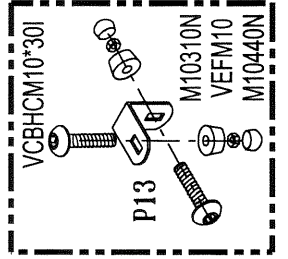
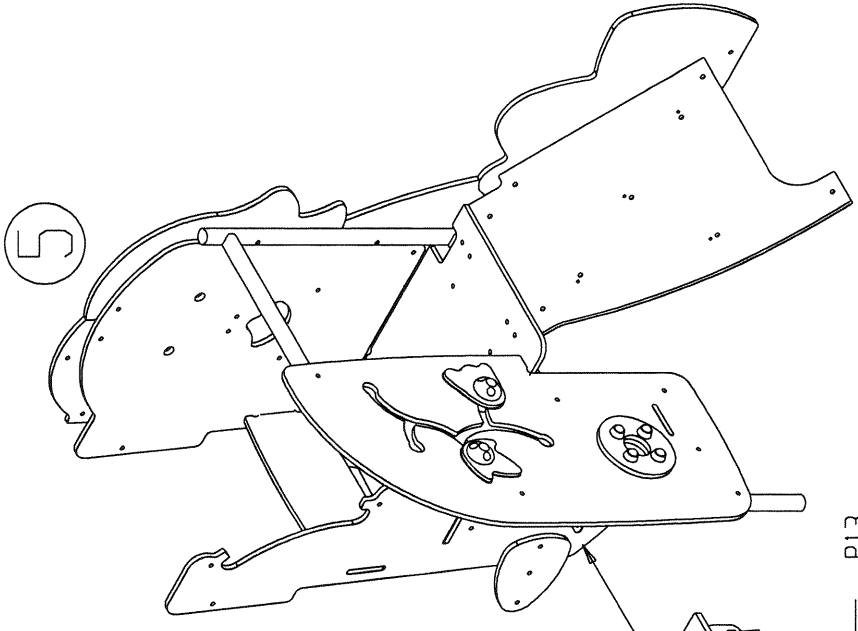


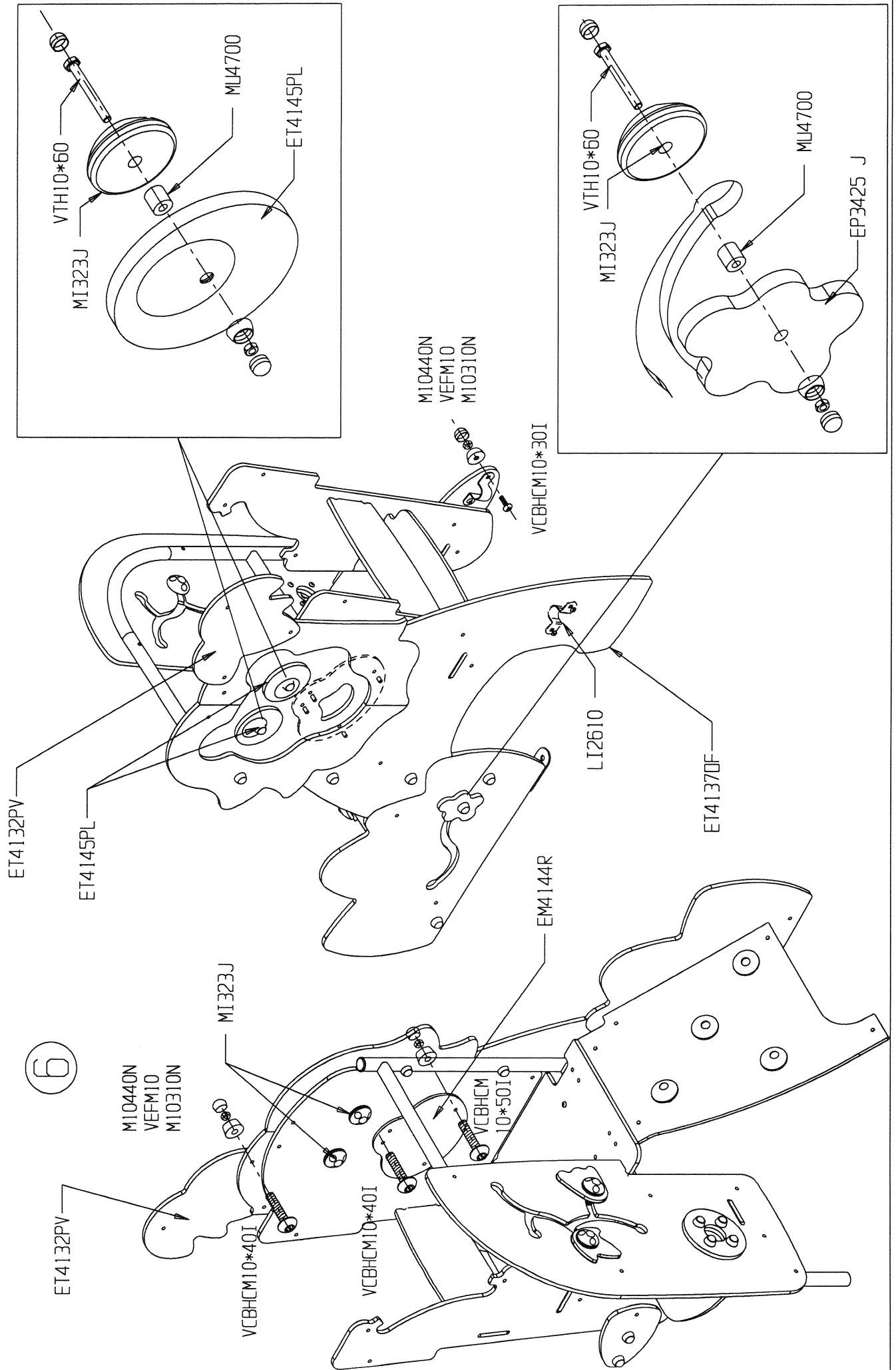
3

4

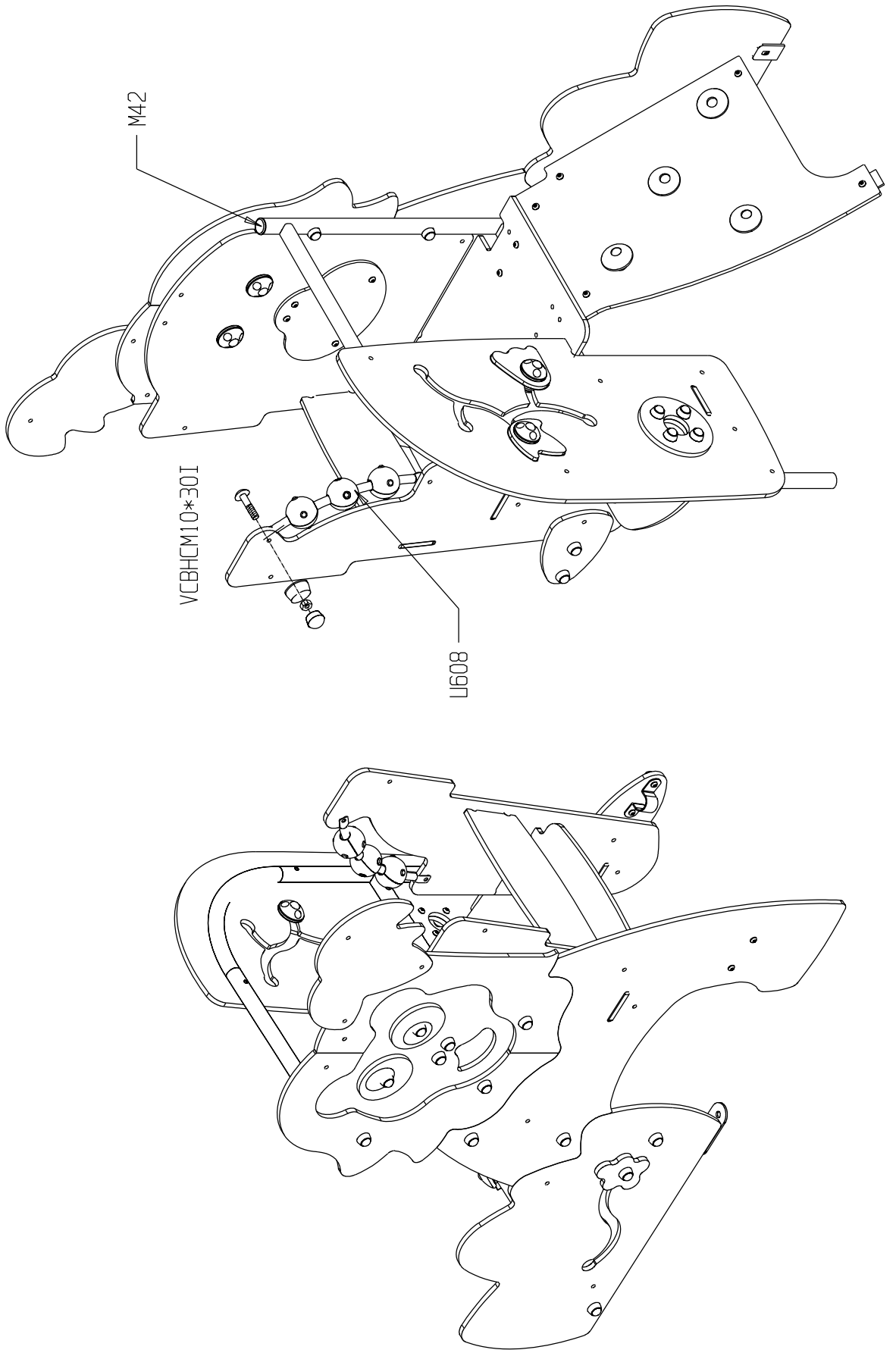


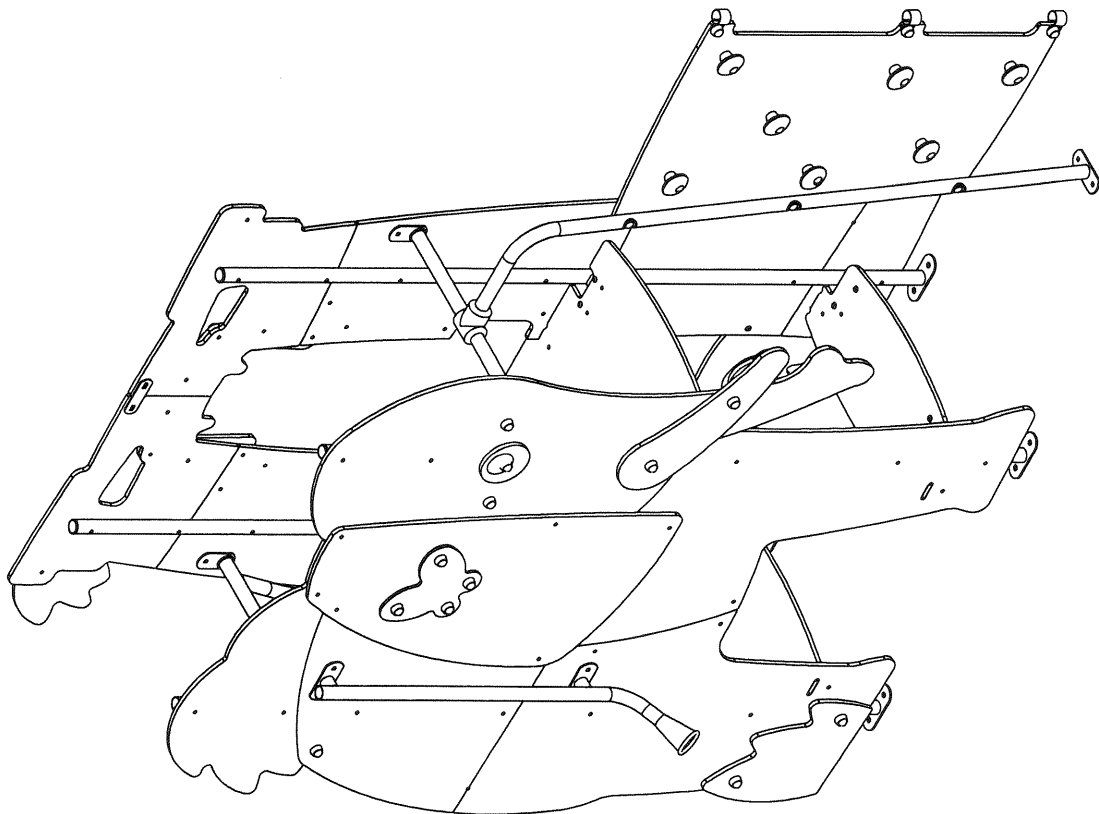
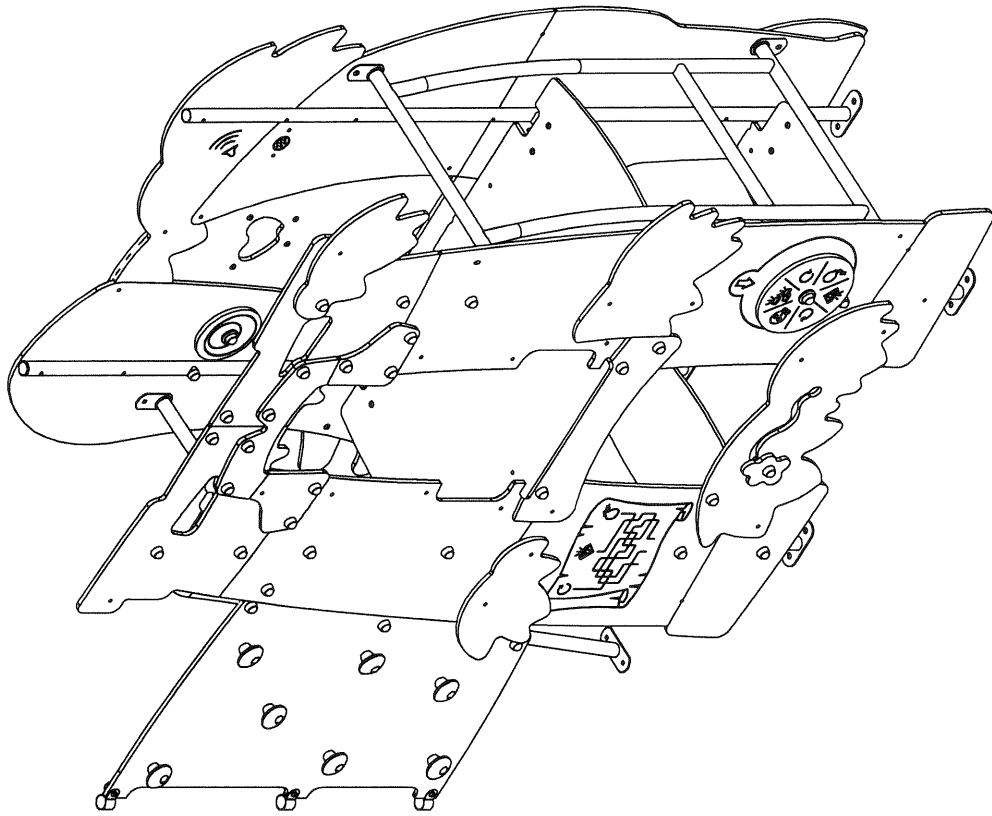
5

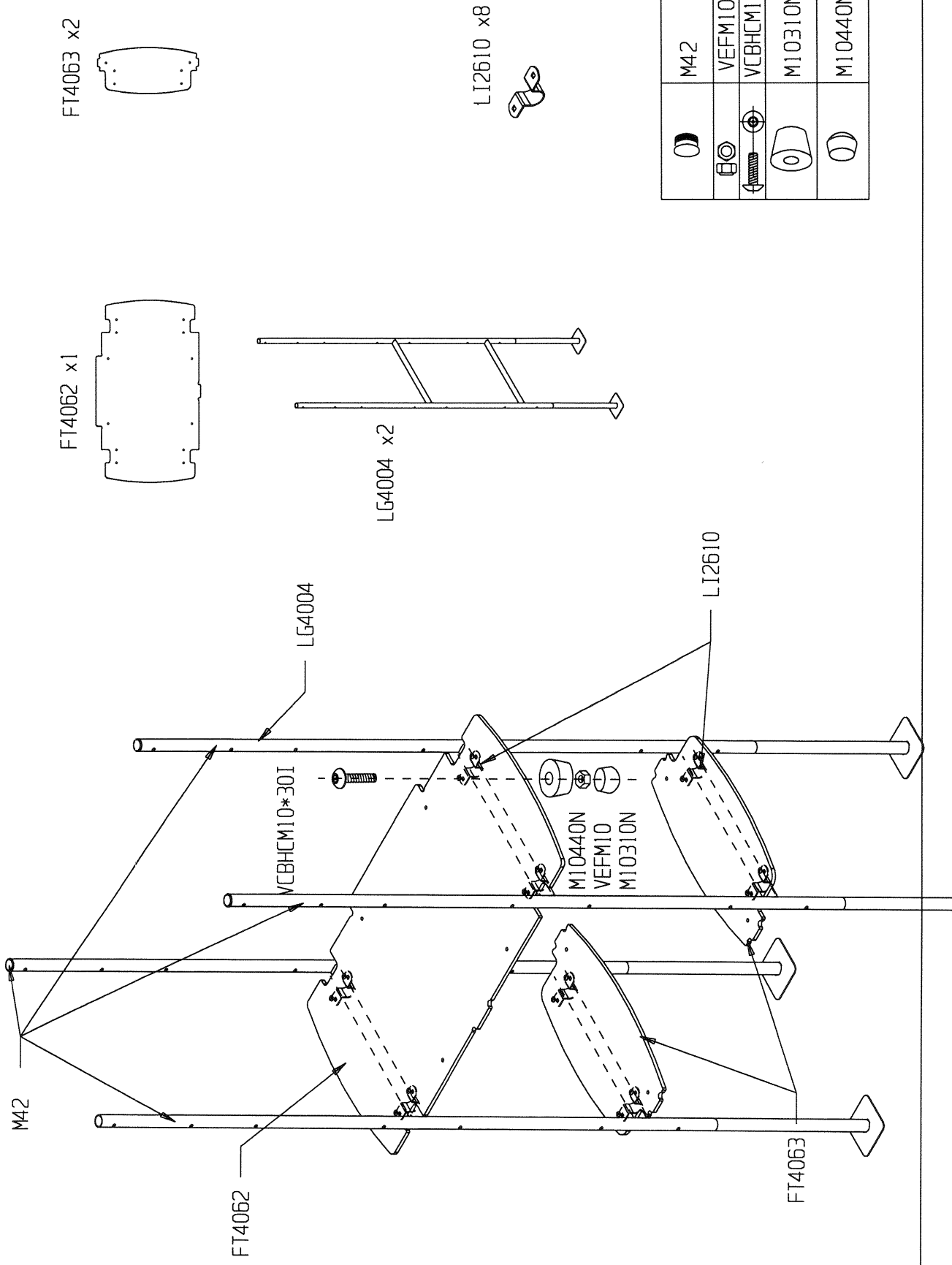




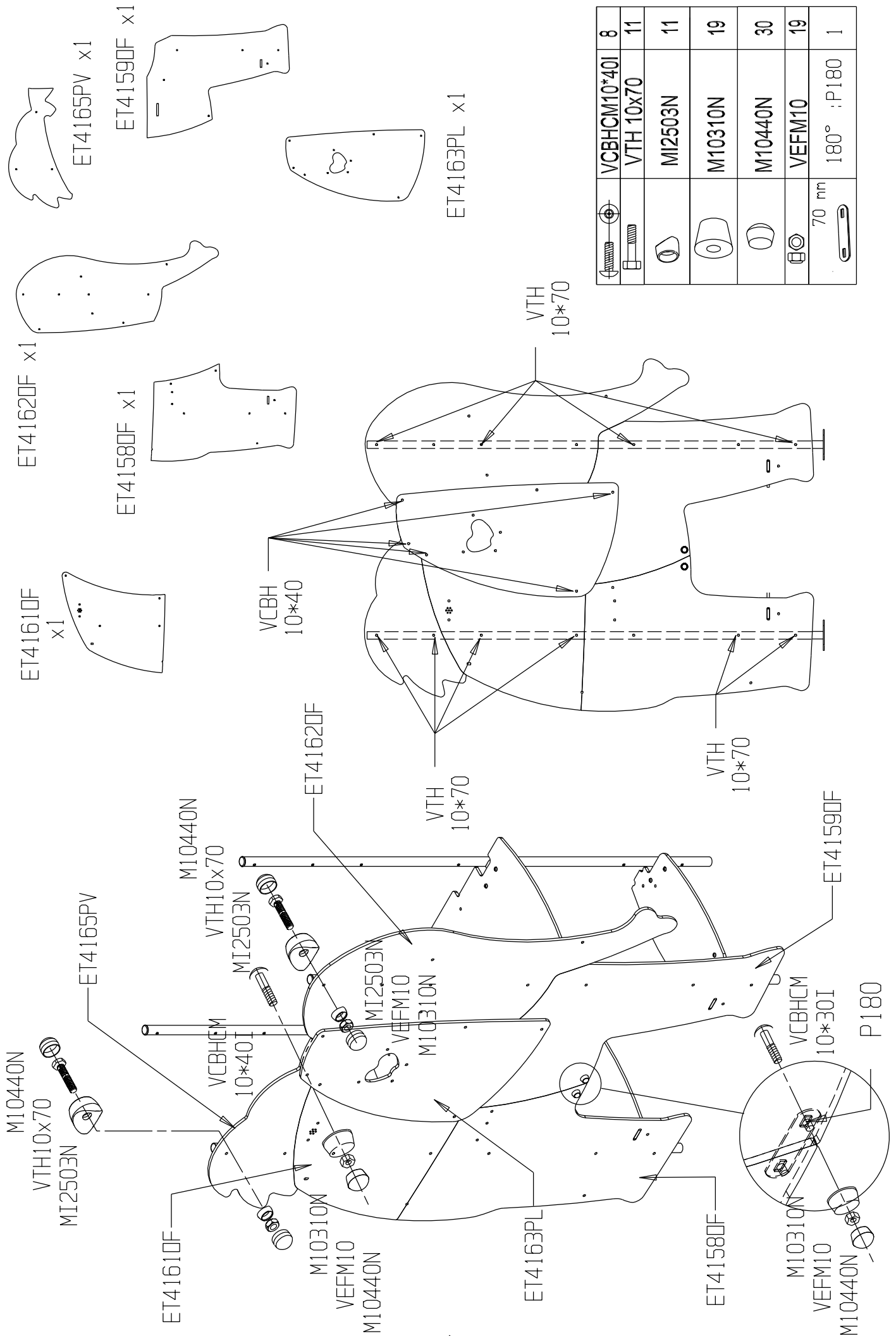
7



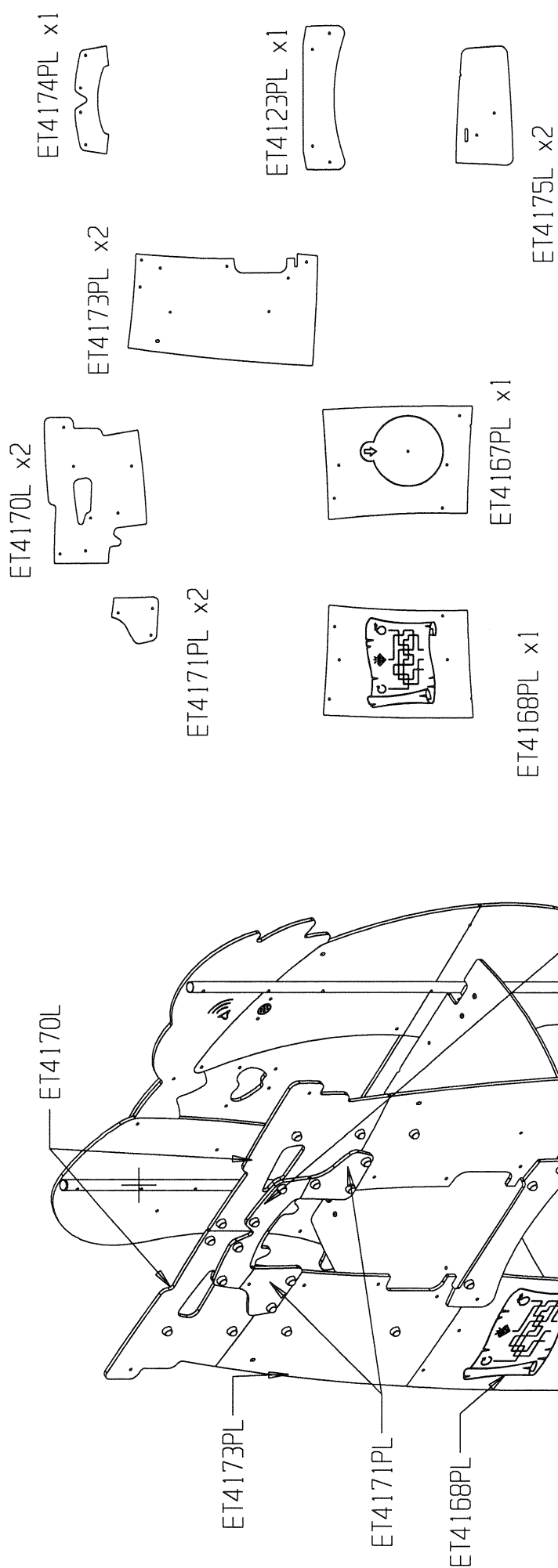




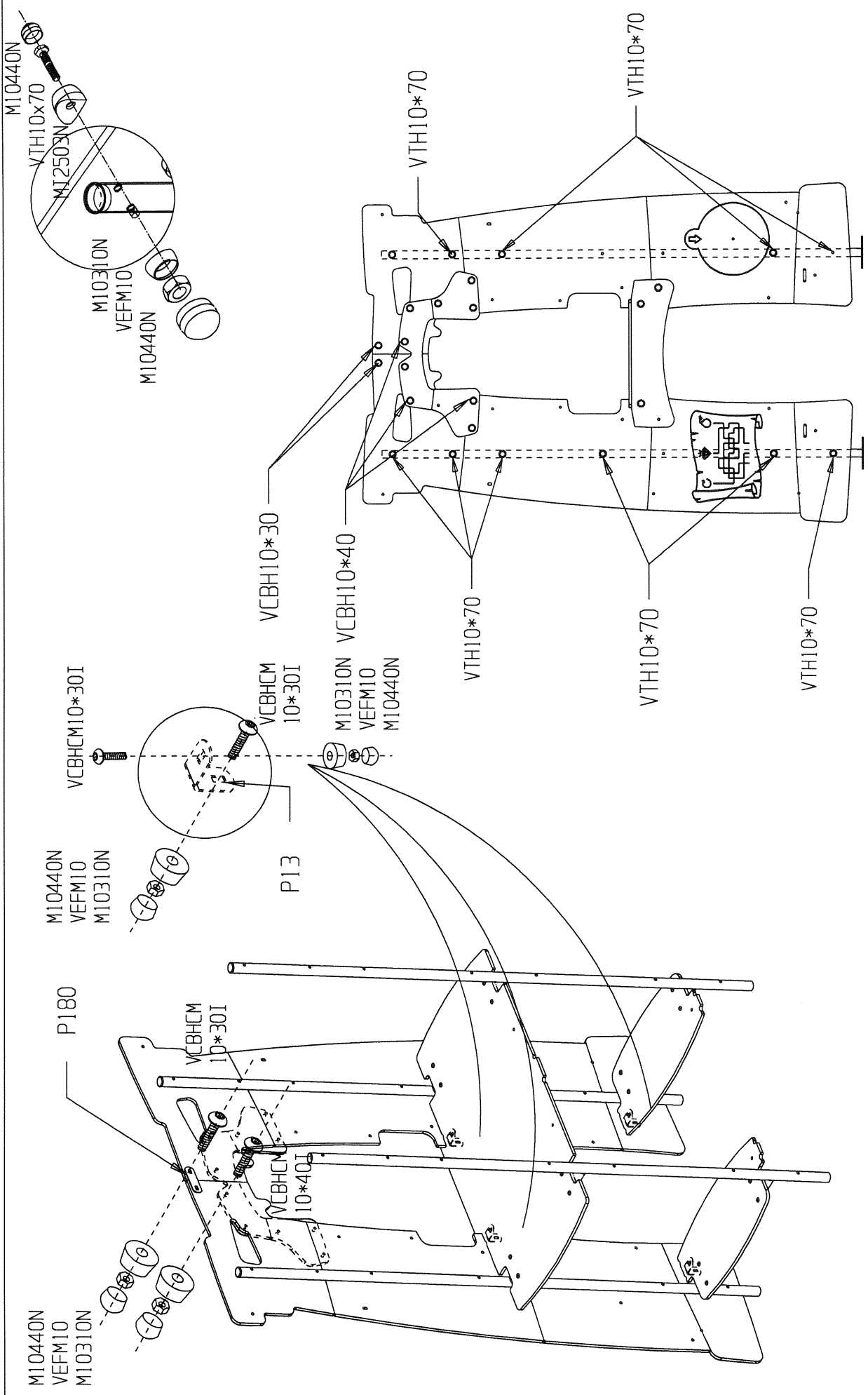
	M42	4
	VEFM10	16
	VCBHCM10*30I	16
	M10310N	16
	M10440N	16



	VCBHCMI0*40I	8
	VTH 10x70	11
	MI2503N	11
	M10310N	19
	M10440N	30
	VEFM10	19
	70 mm	
	180° :P180	1



	70 mm :P13	4
	P180	1
	VCBHC M10*40	12
	VCBHC M10*30	8
	VTH 10x70	9
	MI2503N	9
	M10310N	29
	M10440N	37
	VEFM10	29



ET4169PV x1



ET4125PV x2



EP3425 J x1



ET4176DF x1



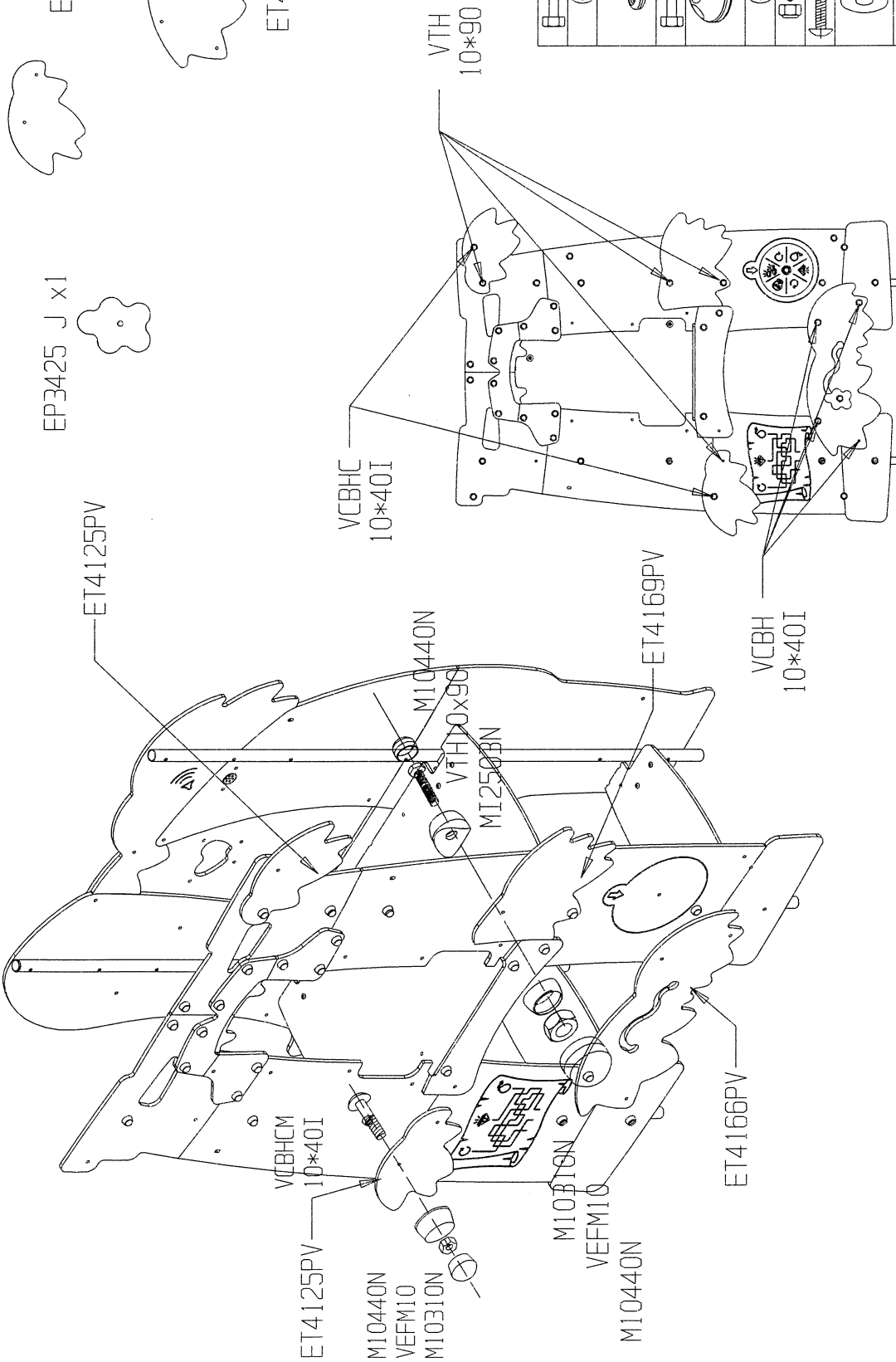
ET4166PV x1



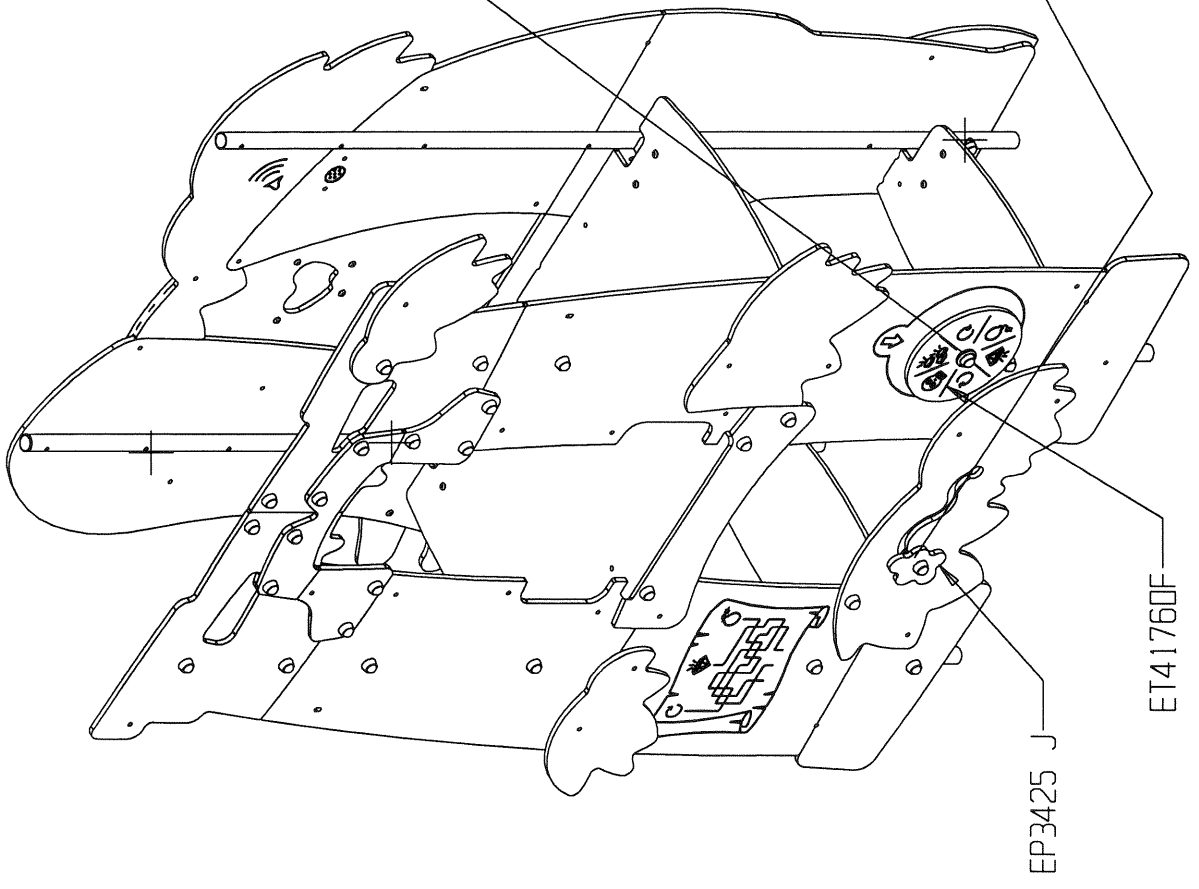
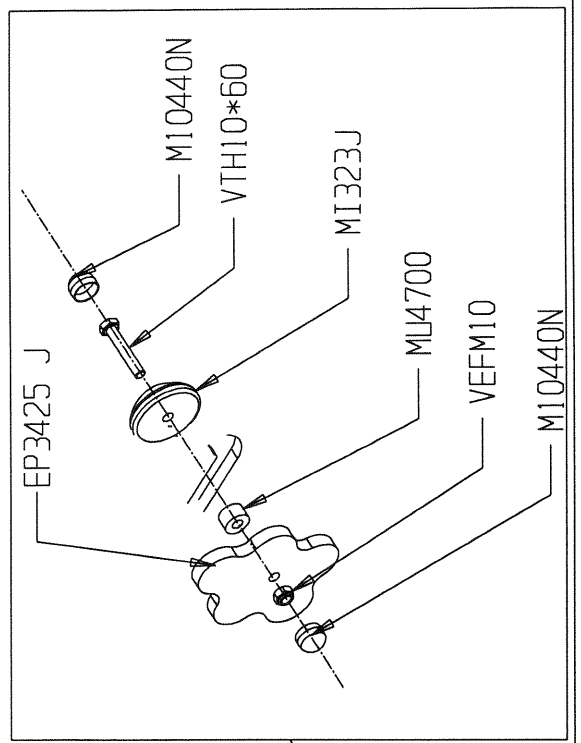
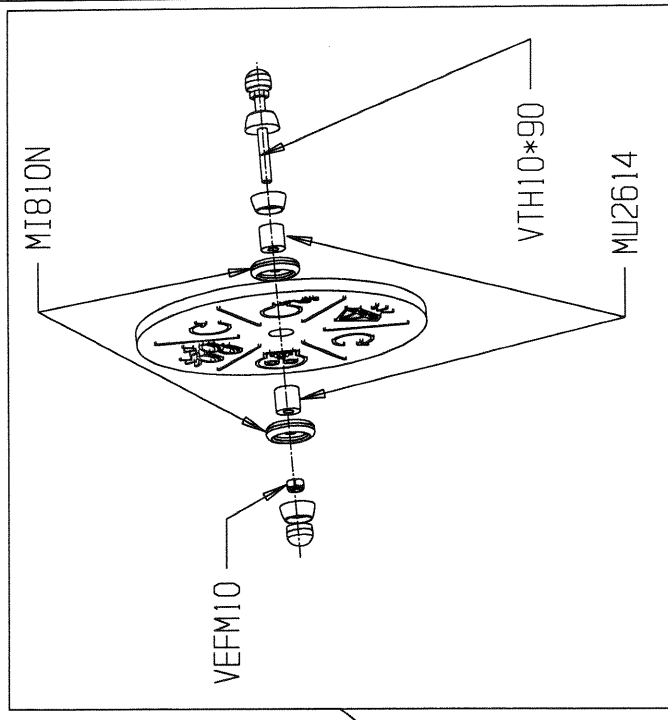
VTH 10*90

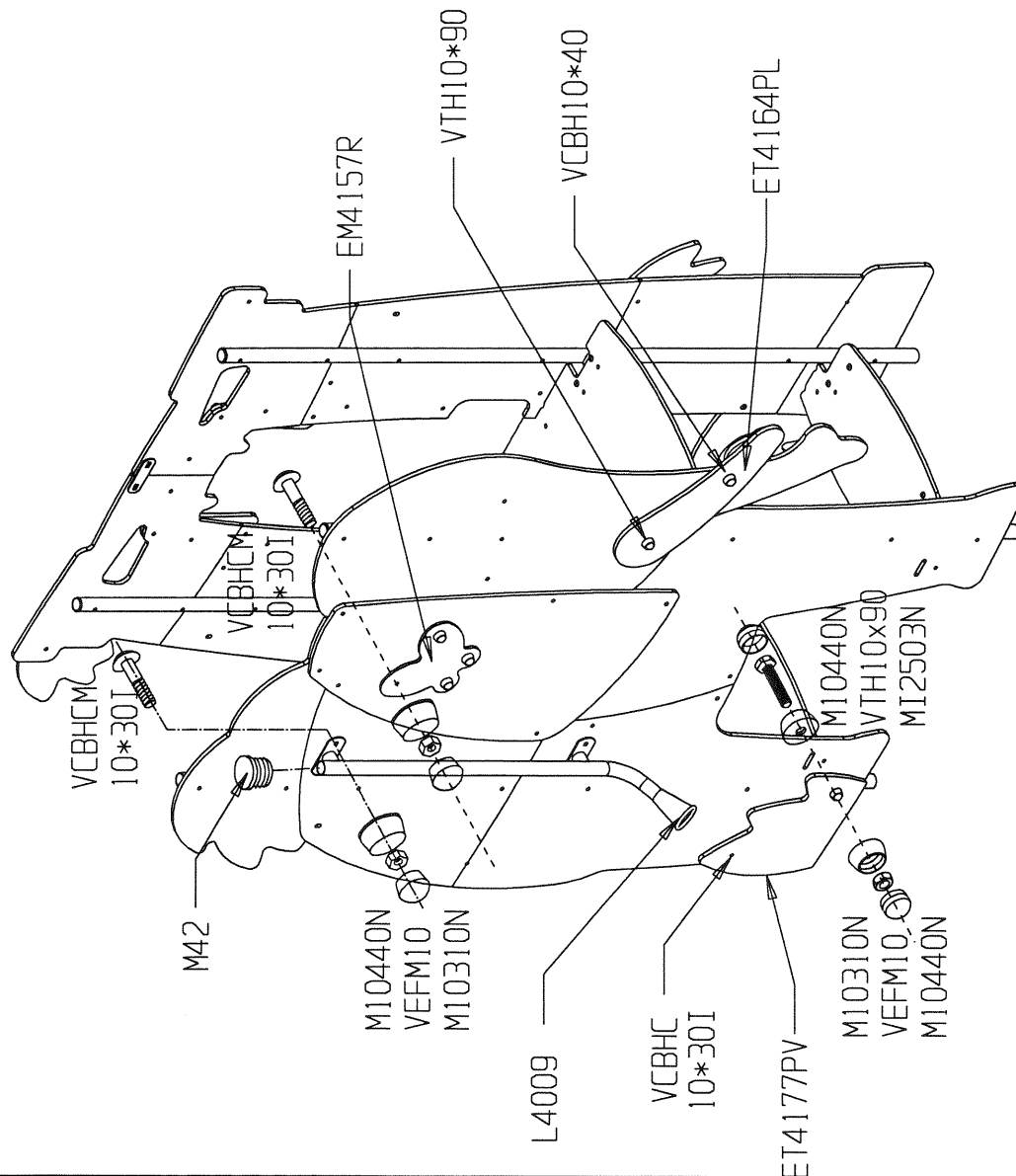
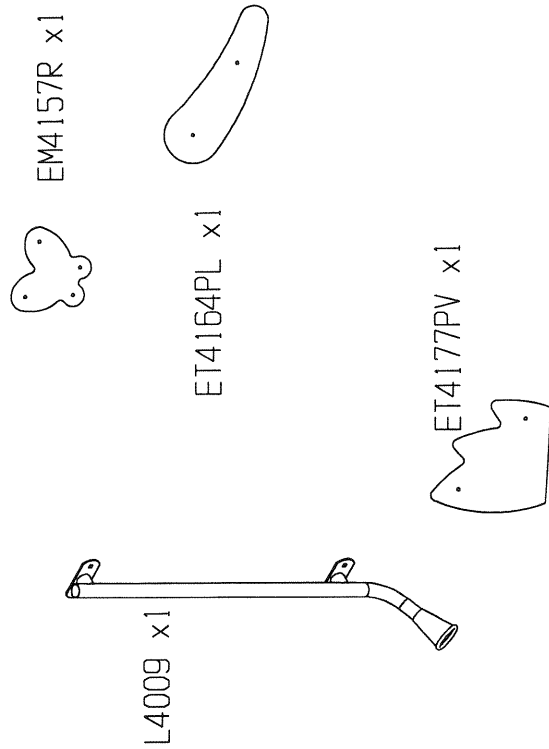
VCBHC 10*40I

VCBH 10*40I

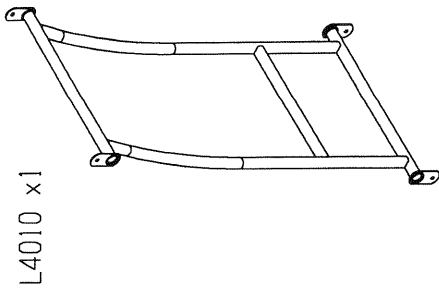


	VTH 10x90	4
	MJ4700	1
	MI810N	2
	VTH 10x60	1
	MI323J	1
	MJ2614	2
	VEFM10	11
	VCBHC 10*40I	6
	M10310N	14
	M10440N	15





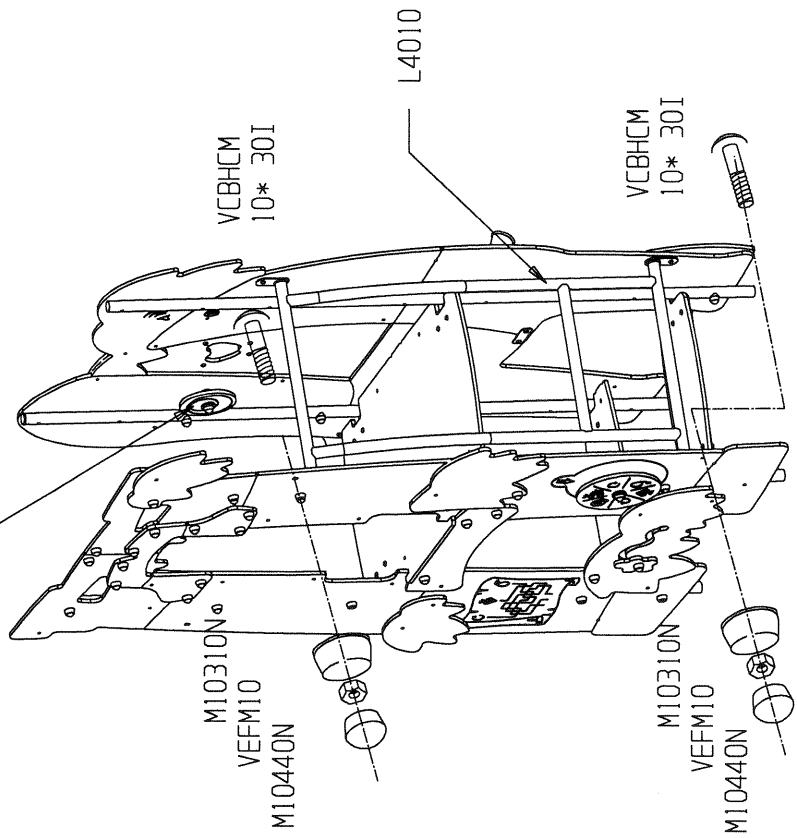
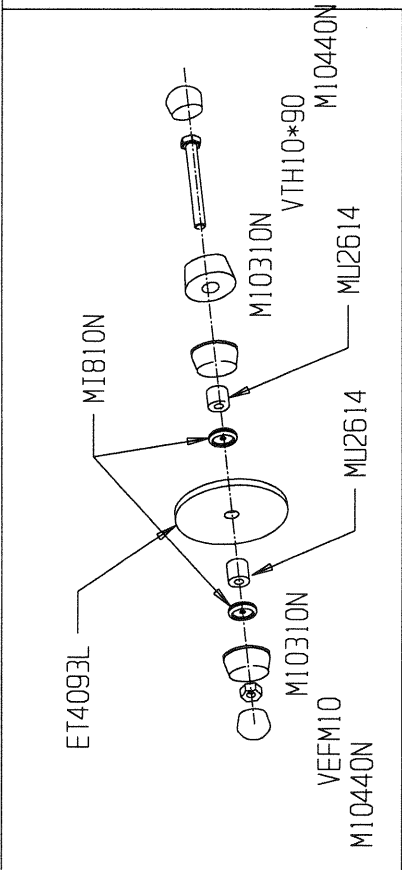
	VTH 10x90	2
	MI2503N	2
	M42	1
	VCBHC10*30I	10
	VEFM10	12
	M10310N	12
	M10440N	14



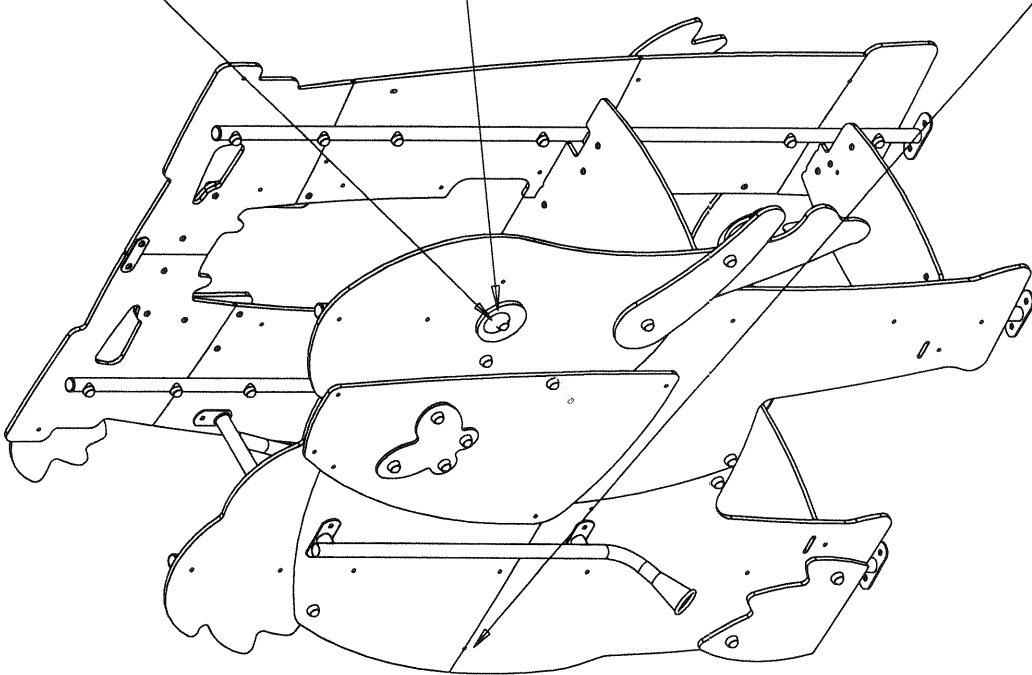
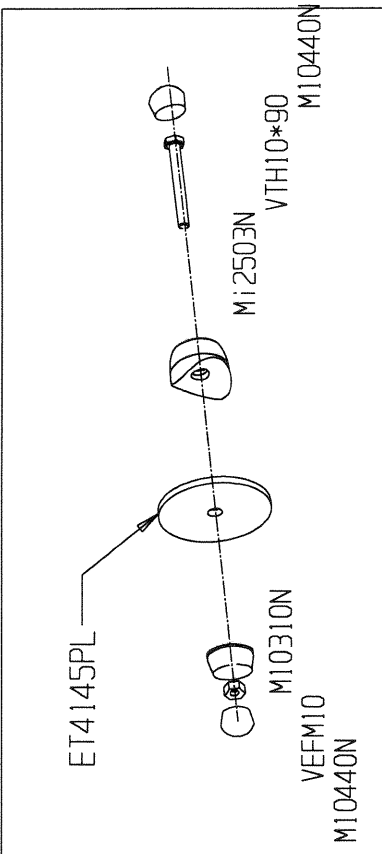
L4010 x1



ET4093L x1

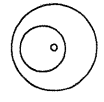


	MJ2614	2
	MI810N	2
	VEFM10	5
	M10310N	8
	M10440N	6
	VCBHCM10x30I	4
	VTH 10x90	1

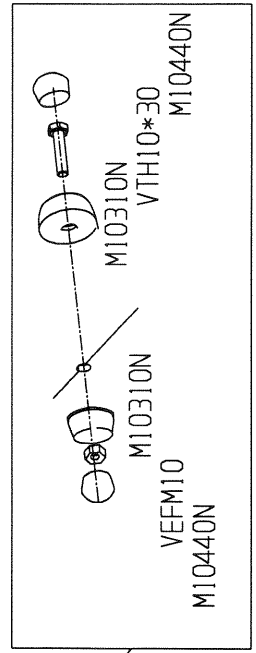


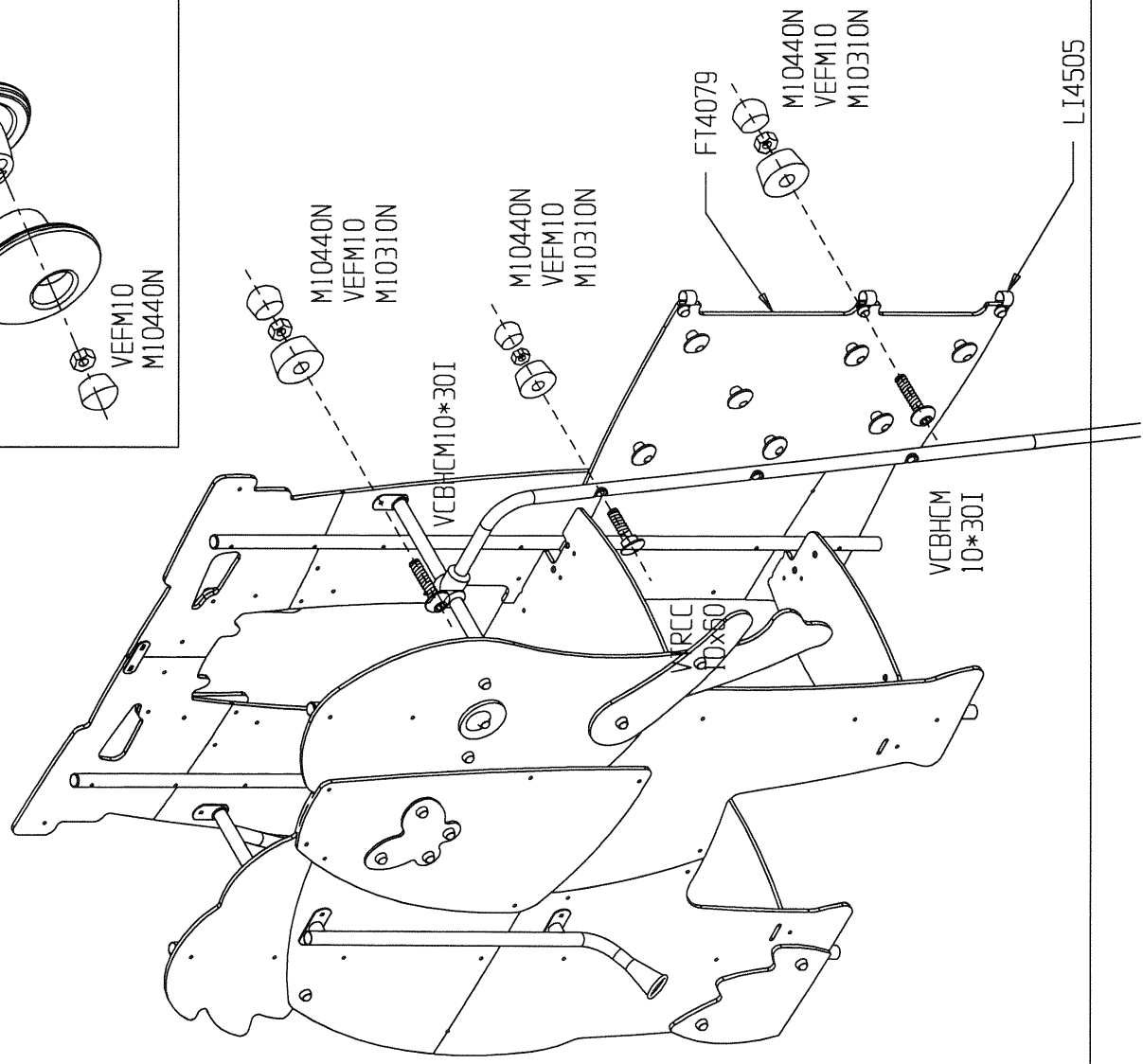
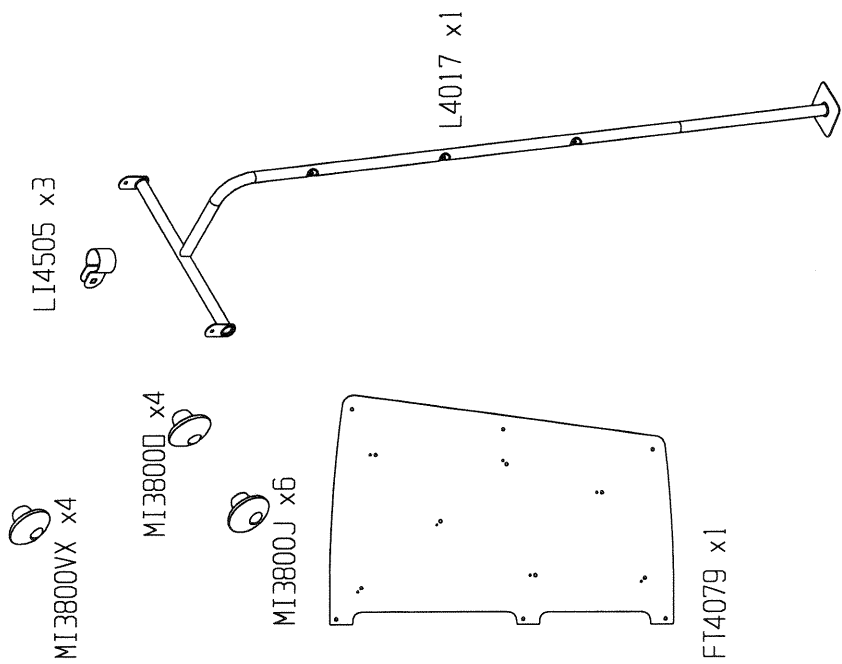
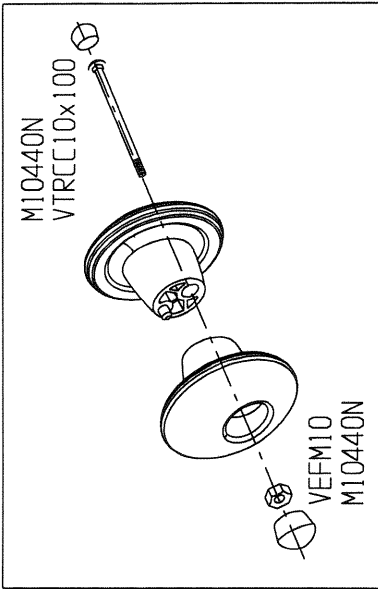
ET4145PL

ET4145PL x1



	VTH_10x30	1
	VEFM10	2
	M10310N	3
	M10440N	4
	VTH_10x90	1
	M12503N	1





	VEFM10	15
	M10310N	7
	M10440N	22
	VCBHC10x30I	5
	VCBHC10x25I	4
	VEBMB	4
	VTRCC10x100	7
	VTRCC10x60	3



MI2502N X 2

