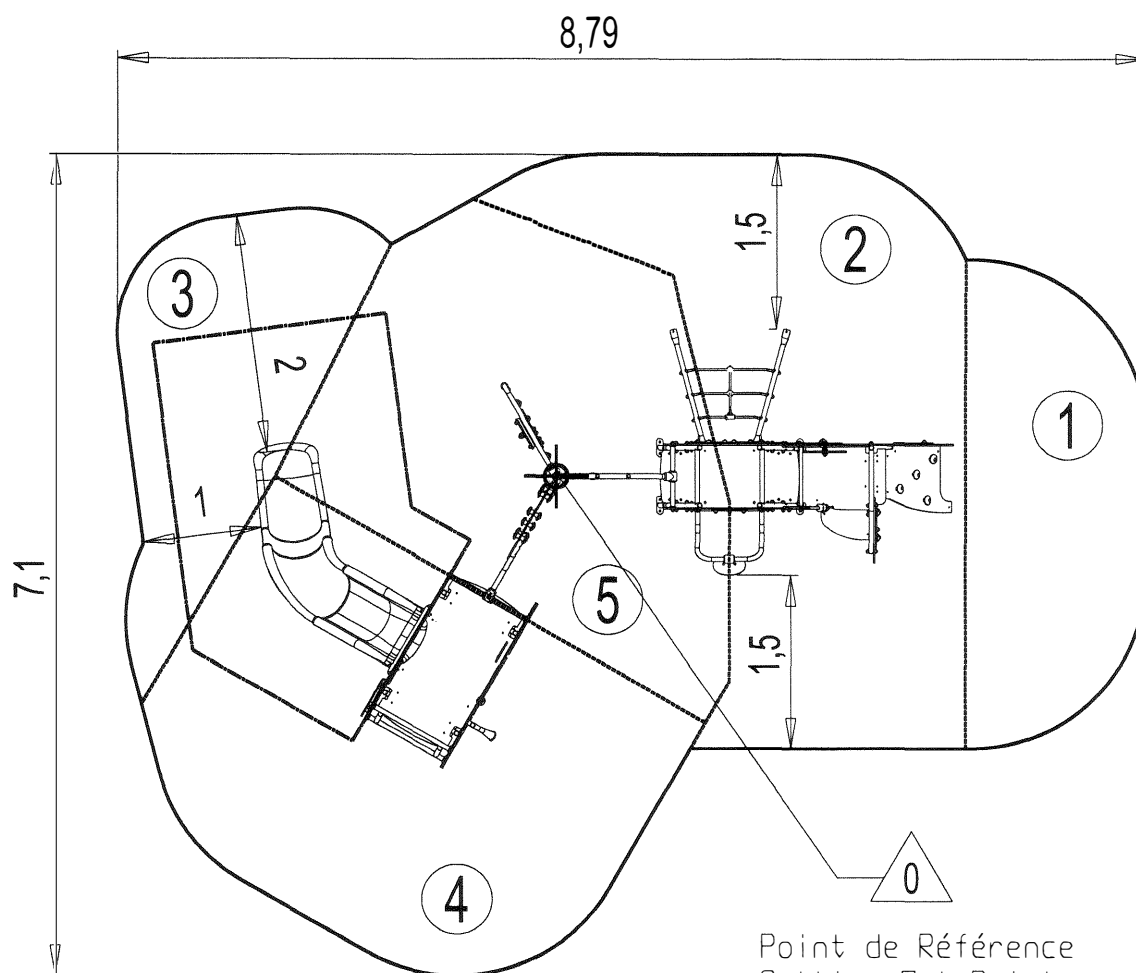


N°		
①	0.6 m	5.5 m <sup>2</sup>
②	0.97 m	12.5 m <sup>2</sup>
③	1 m	5.5 m <sup>2</sup>
④	1.17 m	12.5 m <sup>2</sup>
⑤	1.8 m	11 m <sup>2</sup>

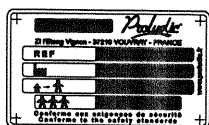
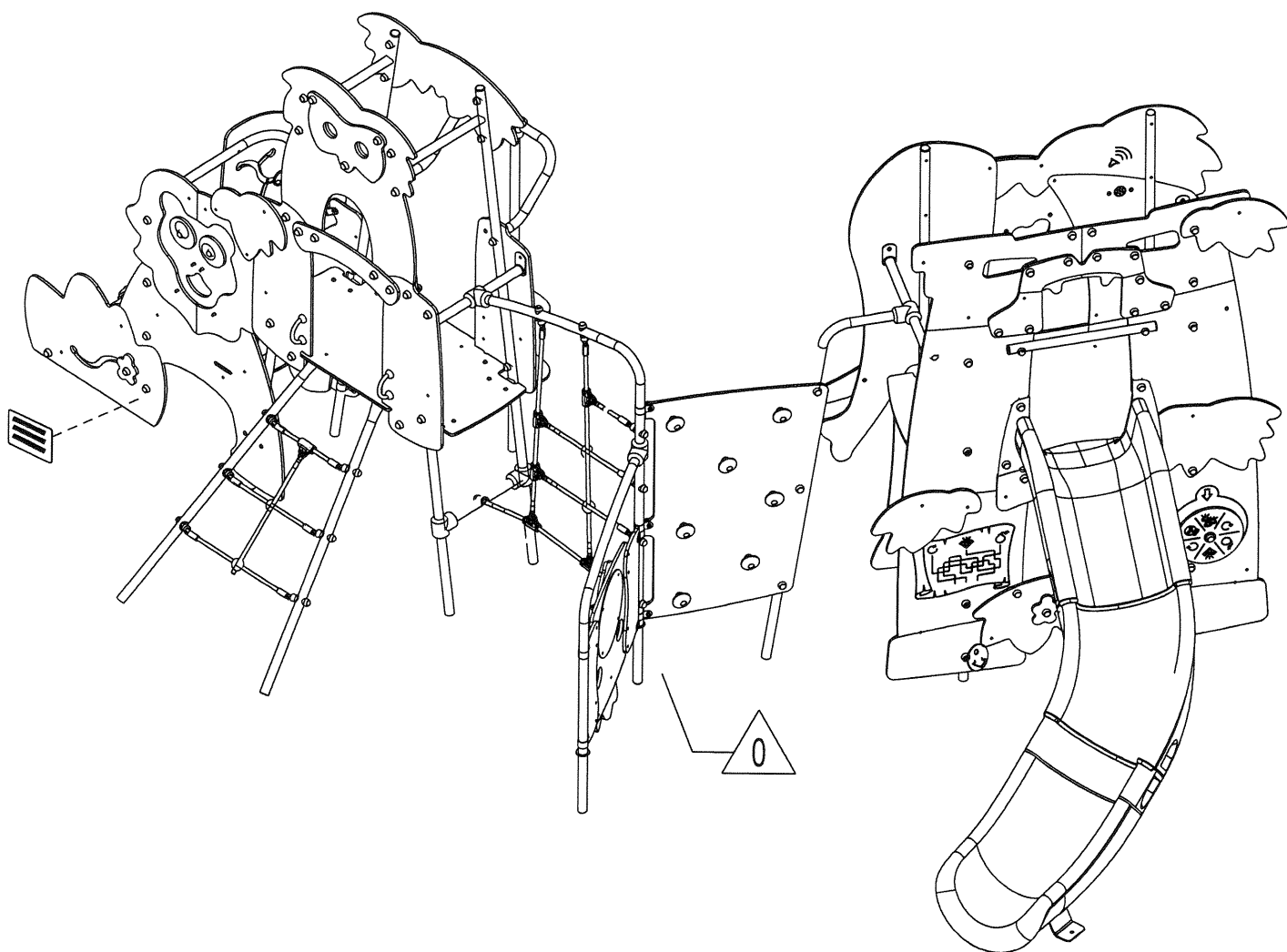
Zone d' Impact  
 Impact Area  
 Area de Impacto  
 Fallraum  
 Valzone

EN 1176-1 : 2017  
 EN 1176-3 : 2017

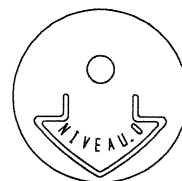
Espace libre  
 Free Space  
 Espacio Libre  
 Freiraum  
 Vrije ruimte



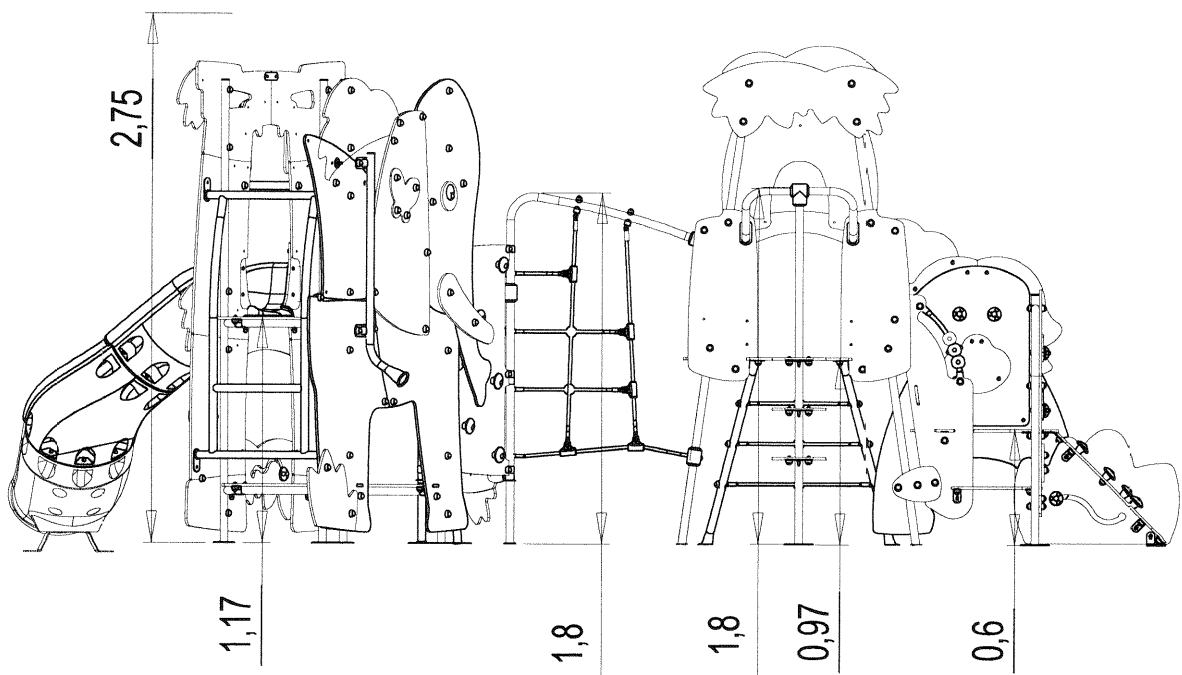
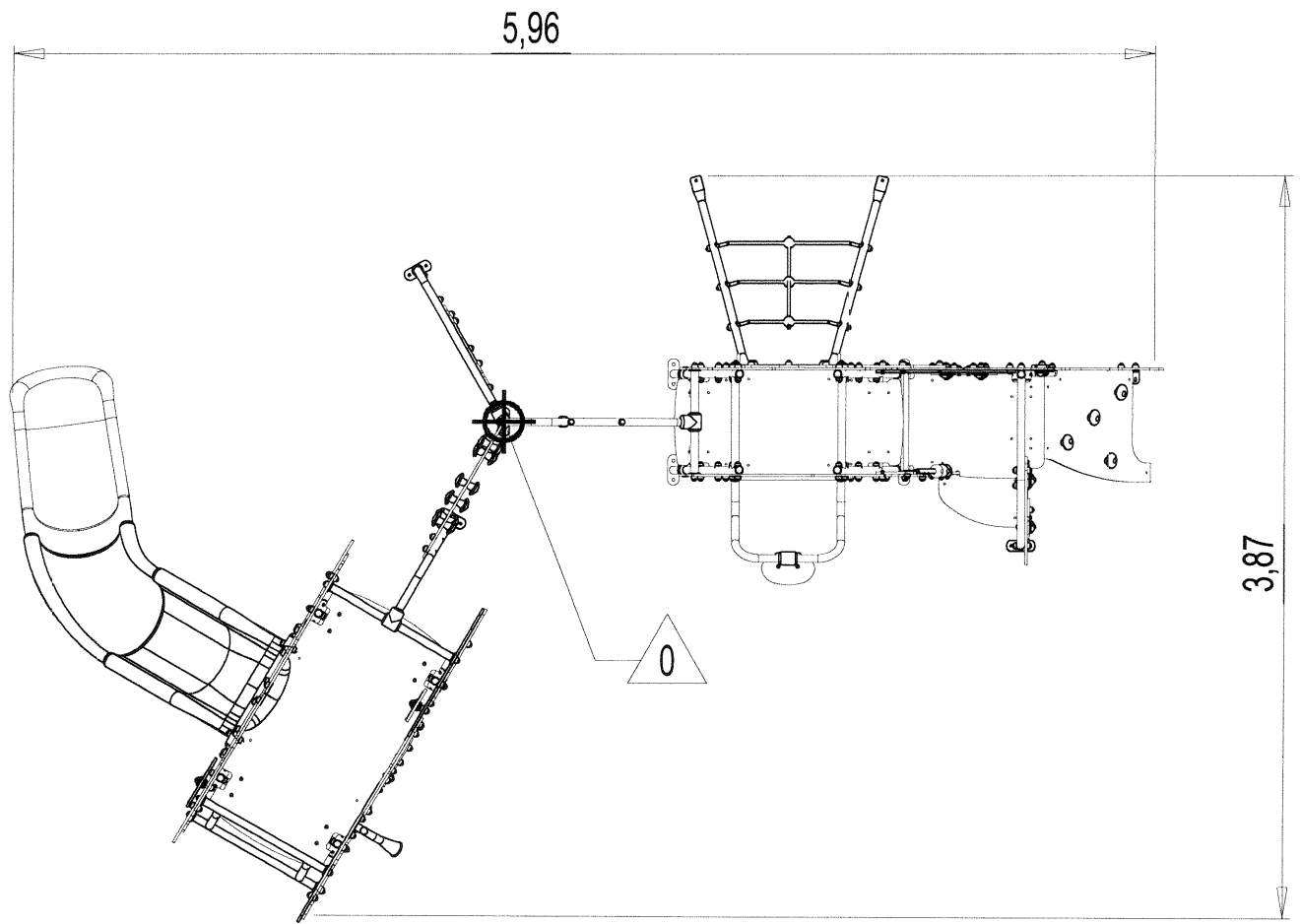
Point de Référence  
 Setting Out Point  
 Punto de referencia  
 Bezugspunkt  
 Referentiepunt

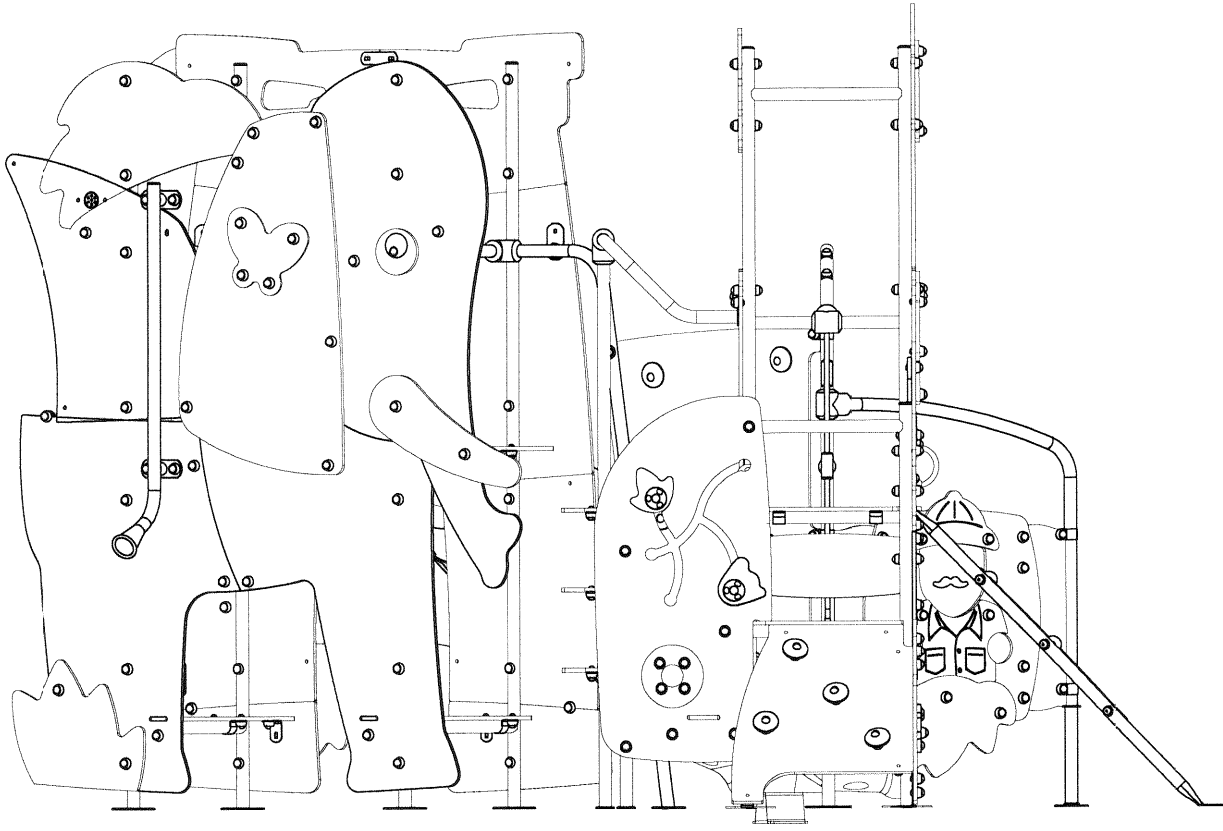


LA000

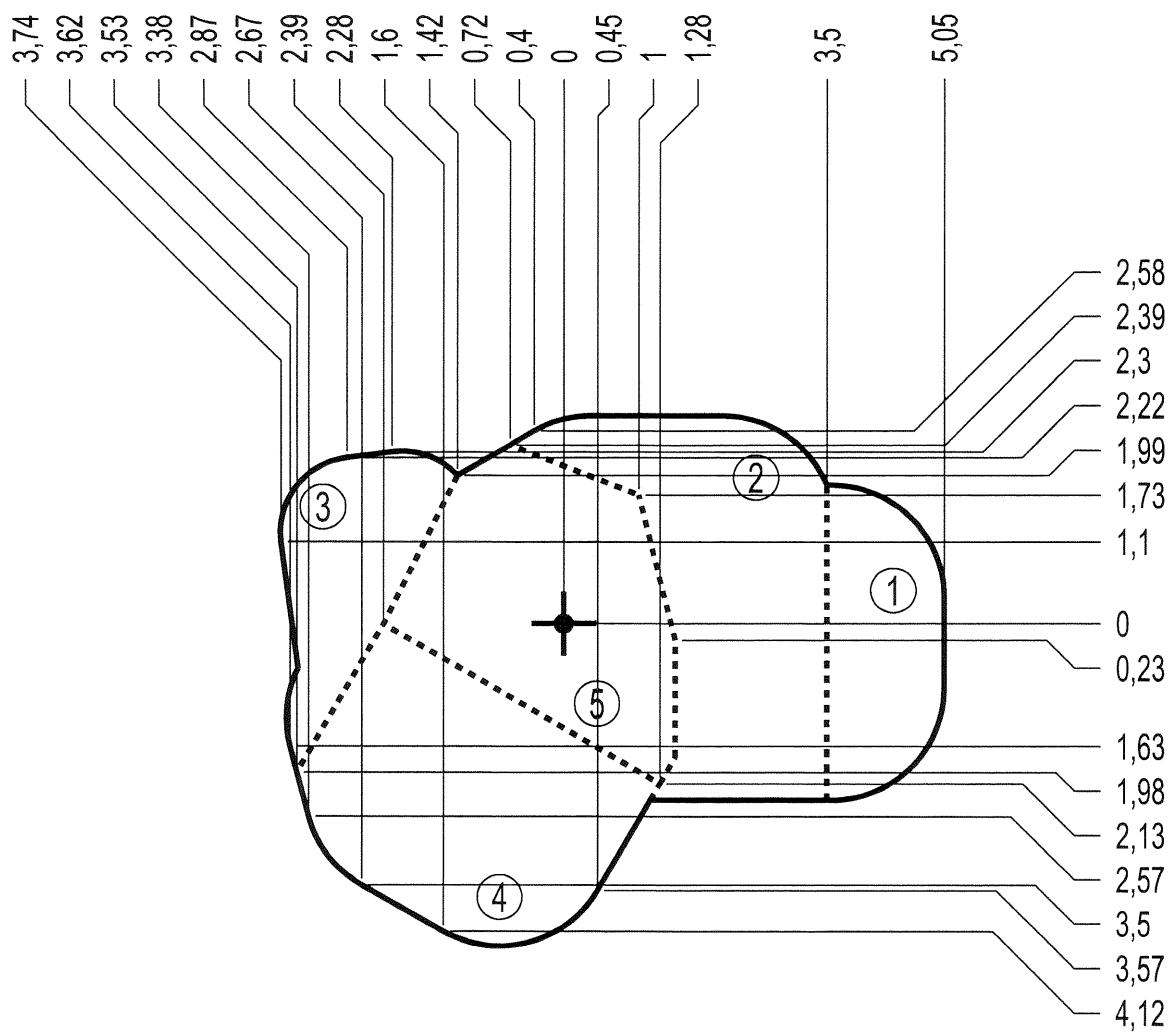


MI0002

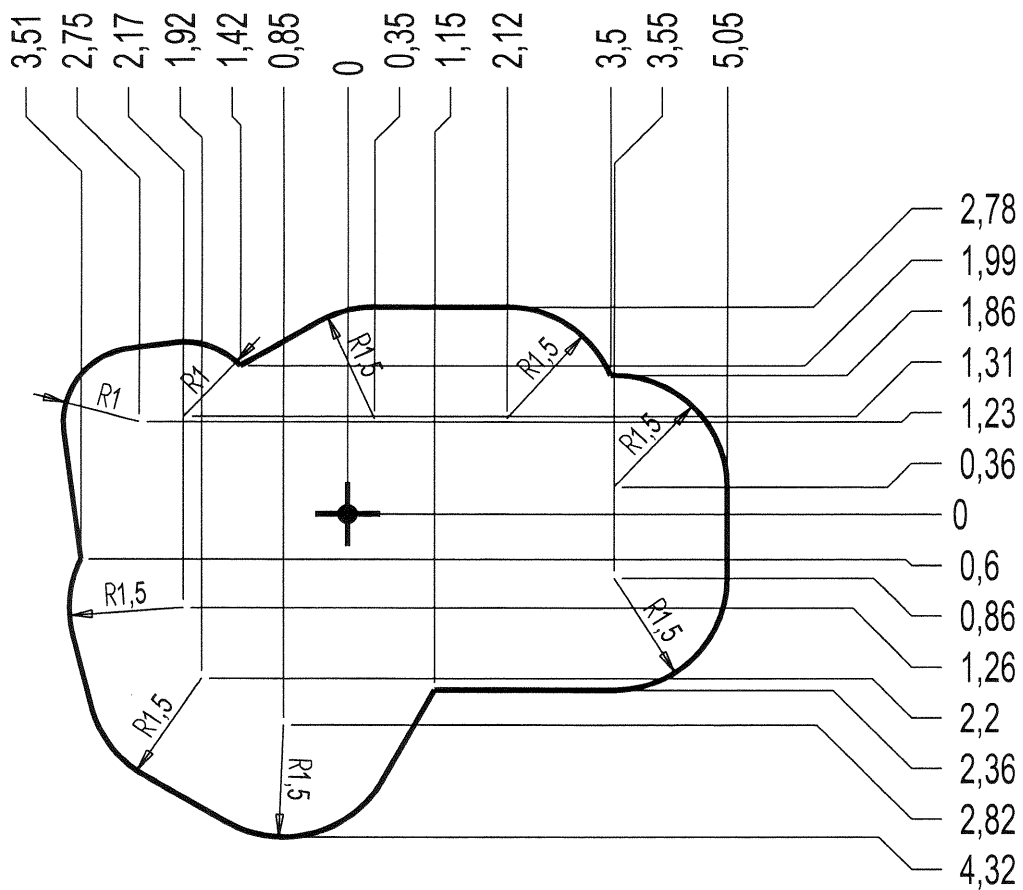




— Sol souple 47 m<sup>2</sup>  
 Wetpour  
 Caucho Continuo  
 Synthetischer Fallschutz  
 Gietvloer

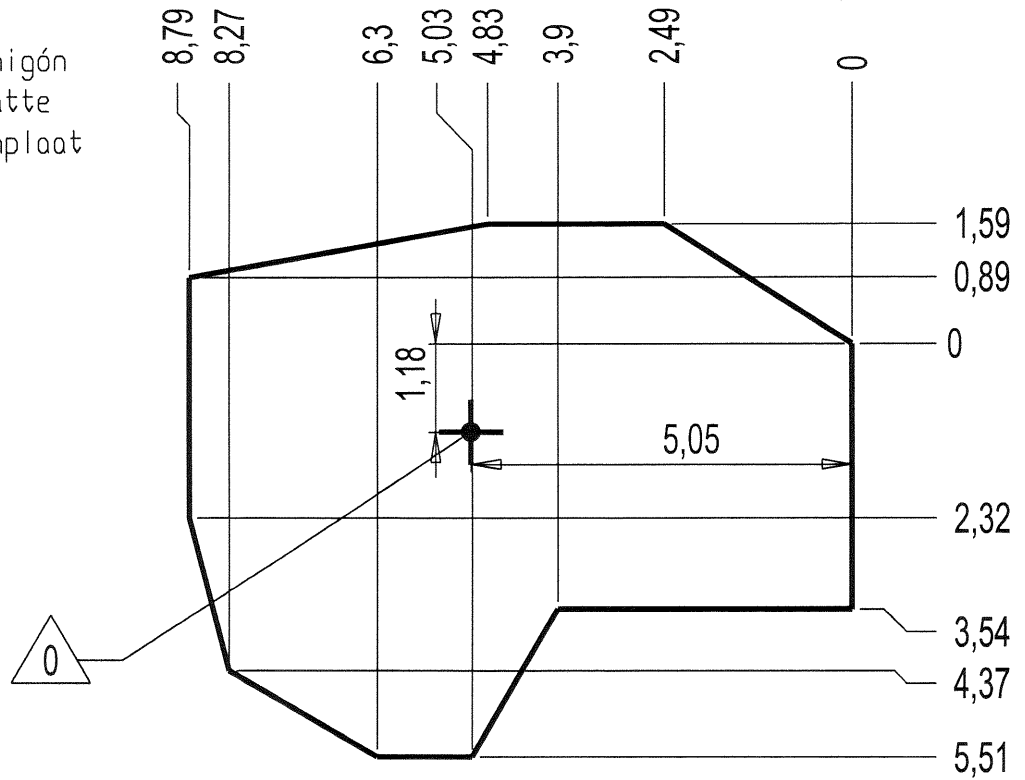


— Zone d'Impact 47 m<sup>2</sup>  
 Impact Area  
 Area de Impacto  
 Fallraum  
 Valzone



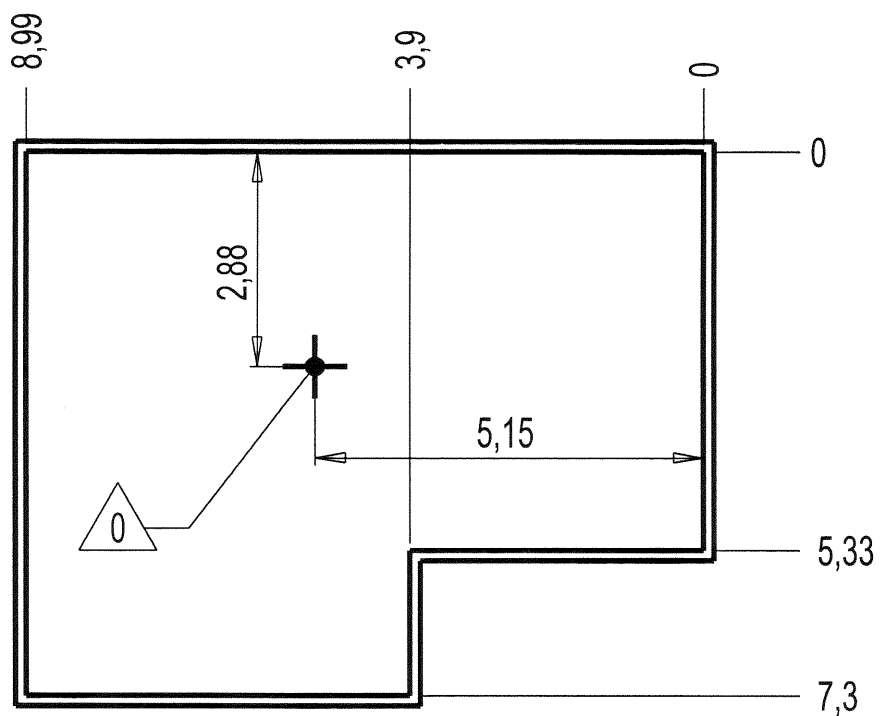
- Dalle béton
- Concrete pad
- Solera de Hornigón
- Beton Bodenplatte
- Betonnen bodenplaat

28 m  
48 m<sup>2</sup>



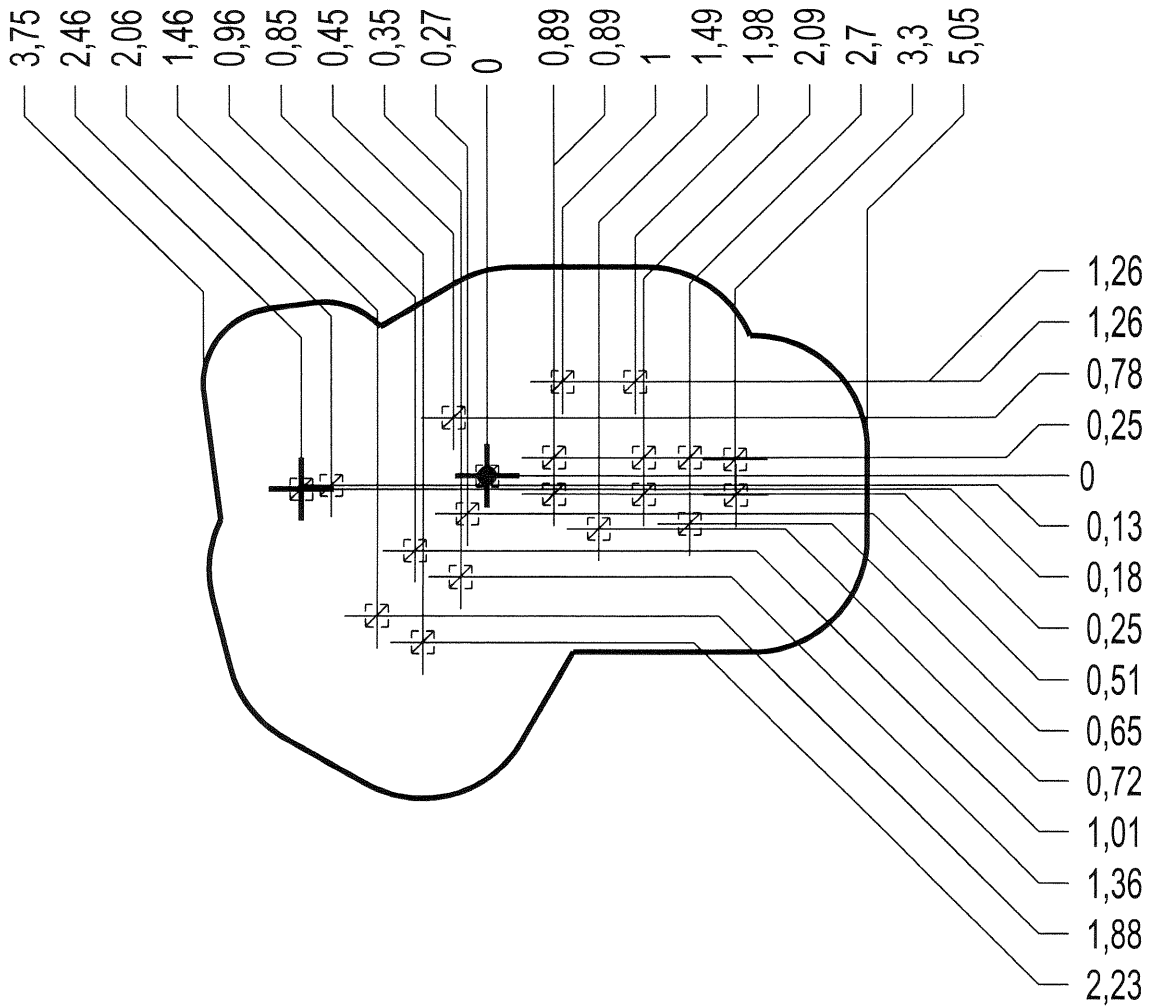
- Sol fluent
- Loose particle material
- Arenero
- Loses Bodenmaterial
- Los bodenmaterial

34 m  
59 m<sup>2</sup>

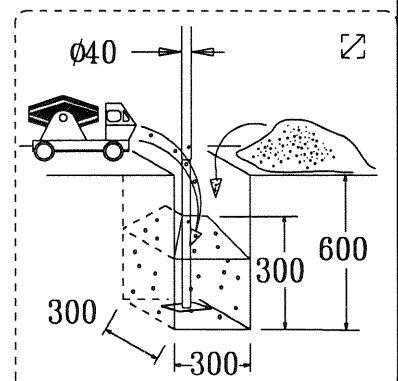




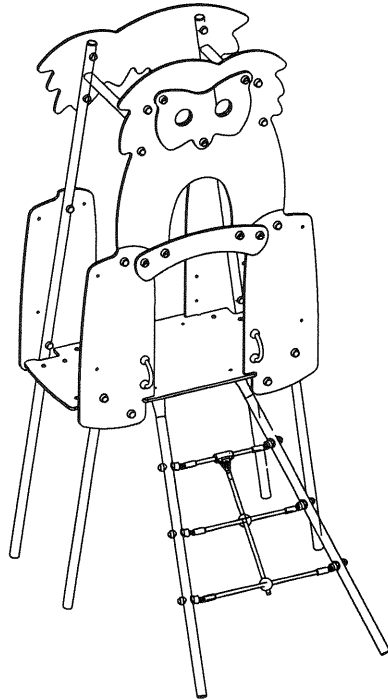
Implantation  
 Footing plan  
 Implantación  
 Fundamentplan  
 Funderingstekening



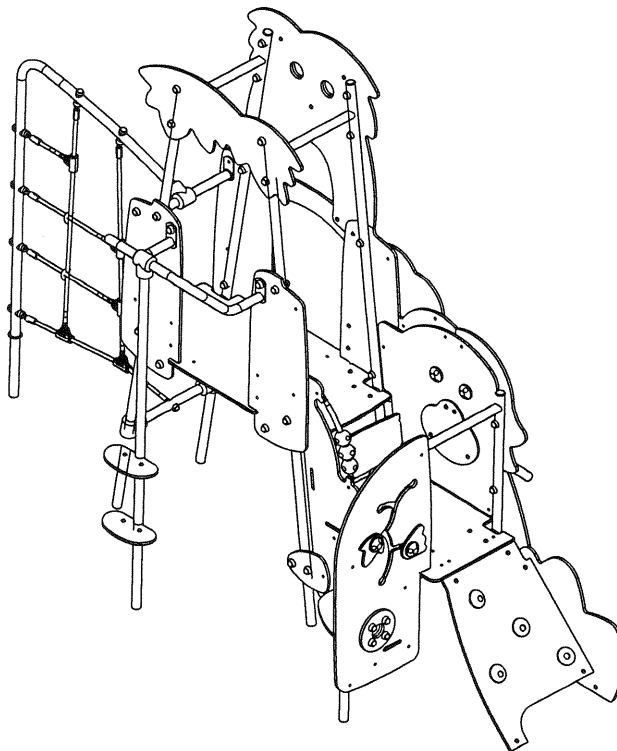
 x2	 16H	 0.6m <sup>3</sup>
--------	---------	-----------------------



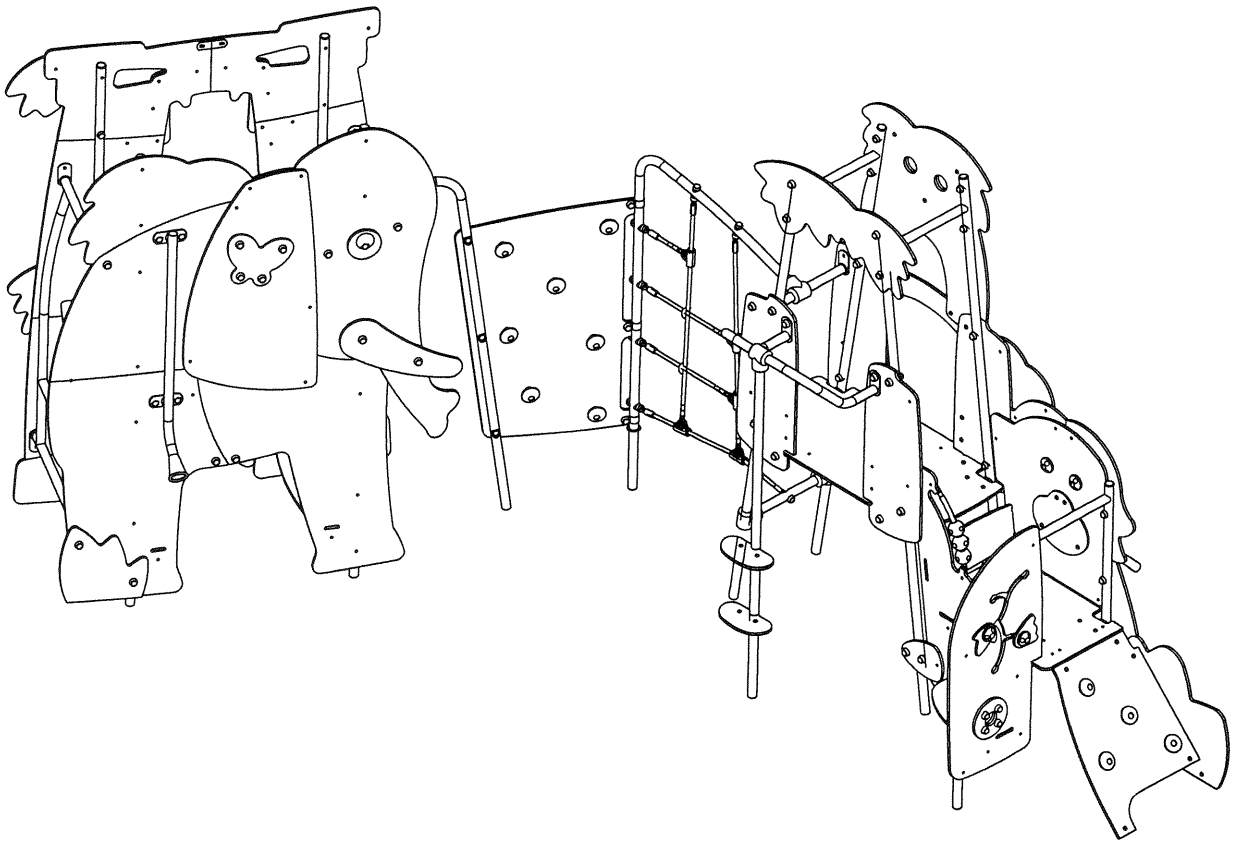
1



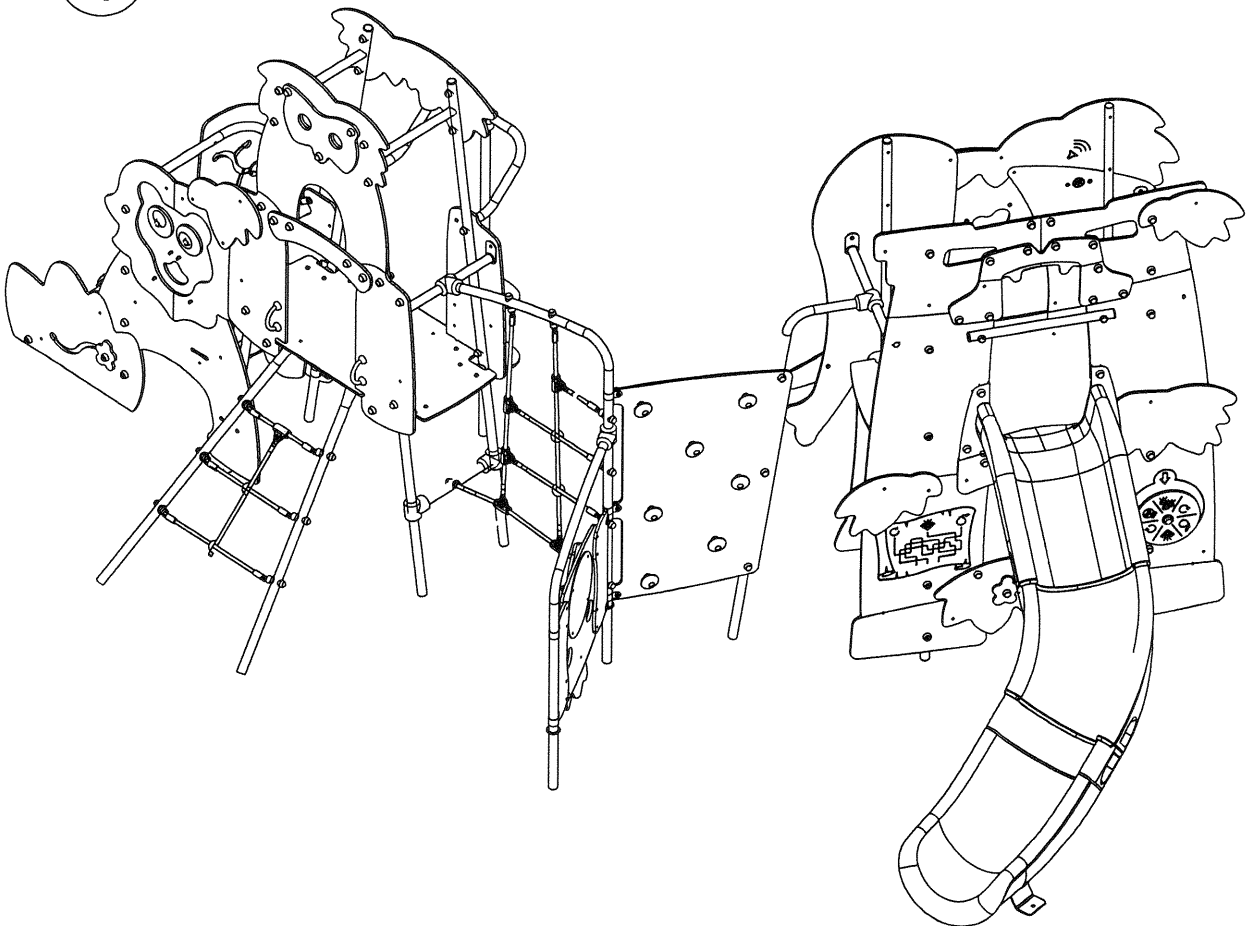
2

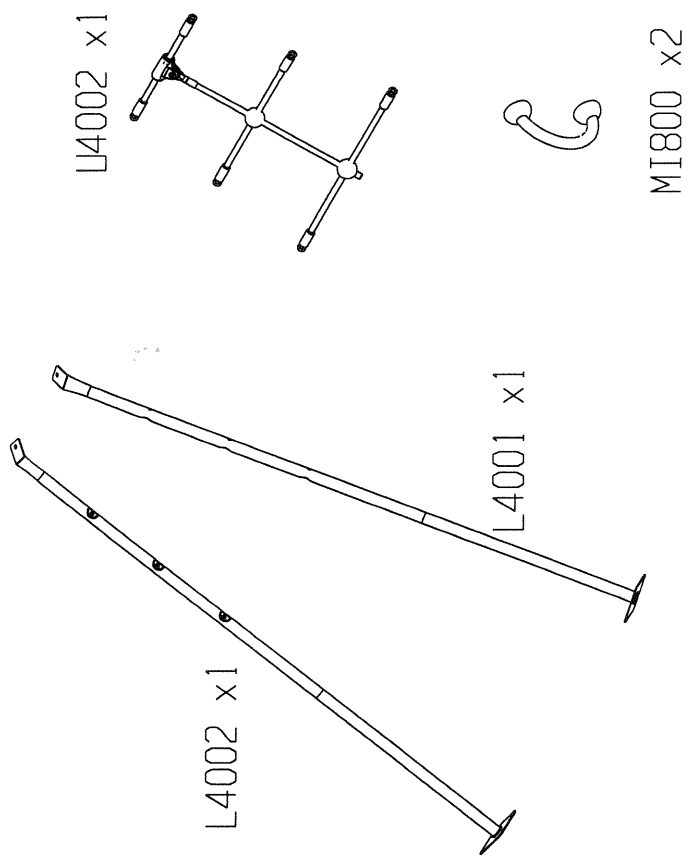
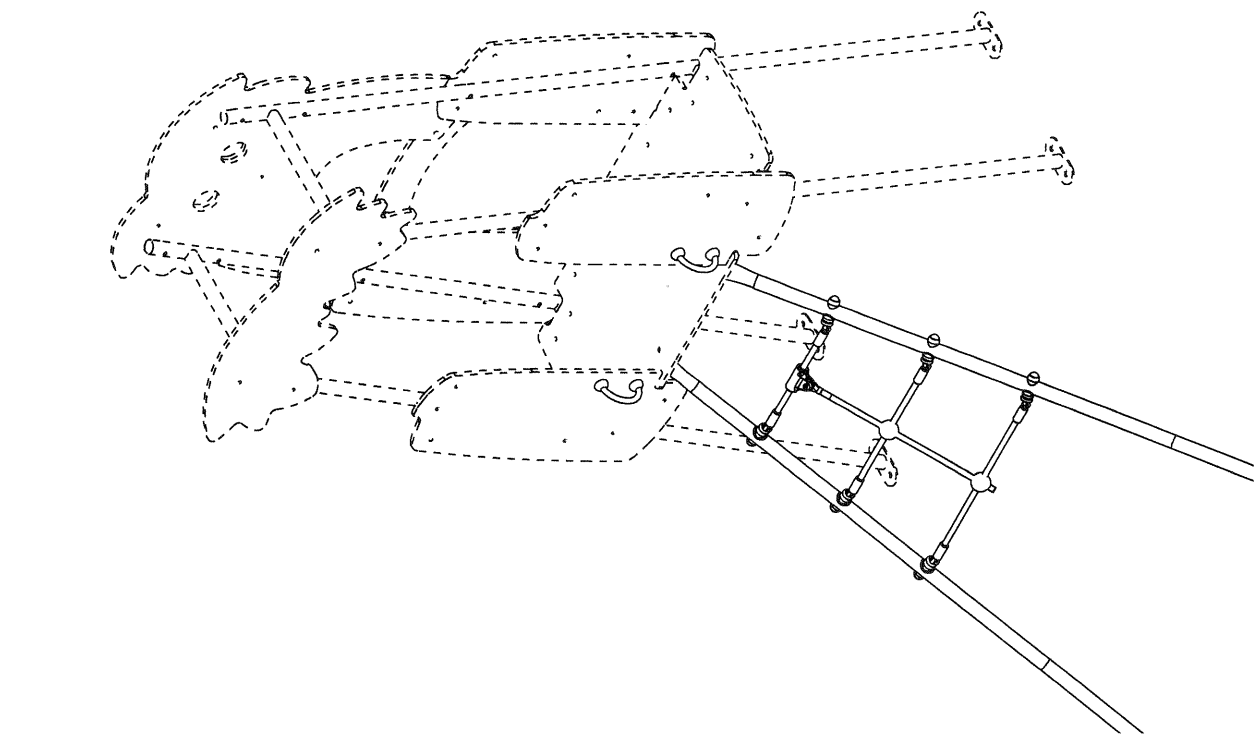


3

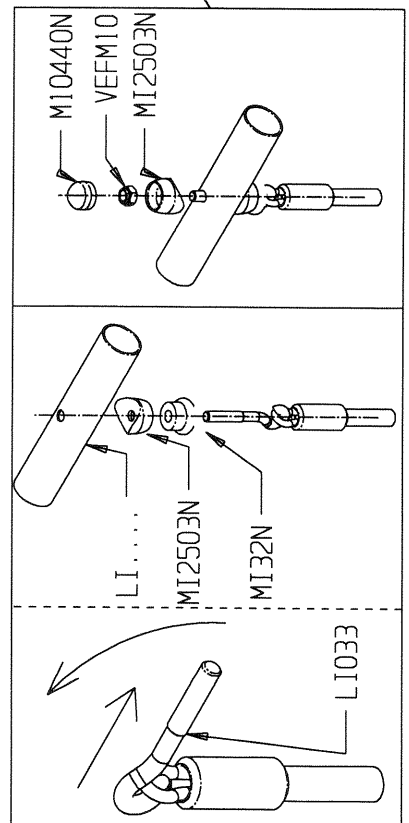
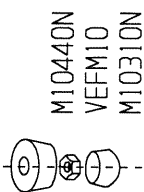
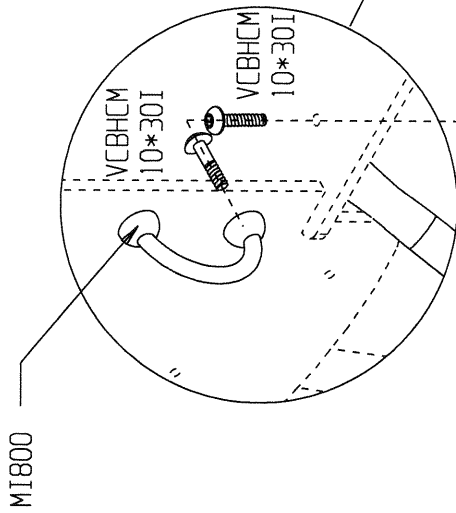
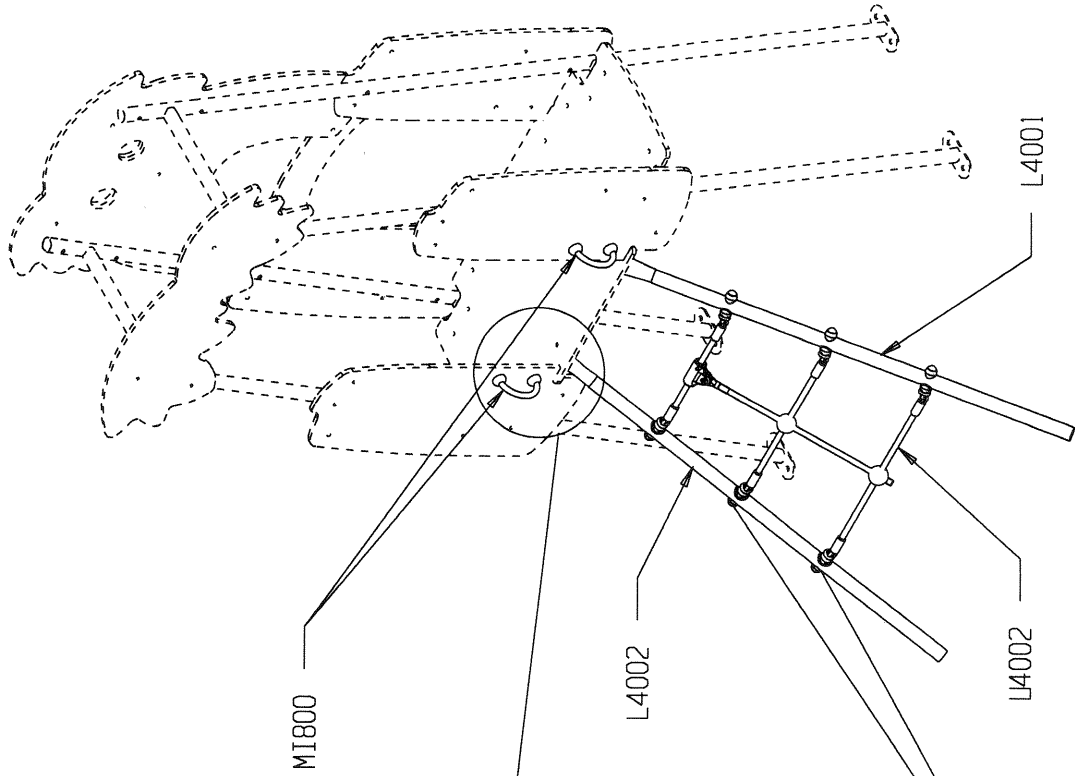


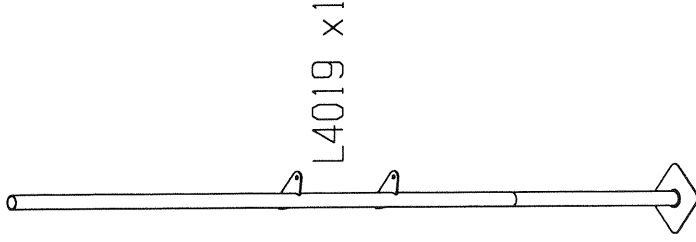
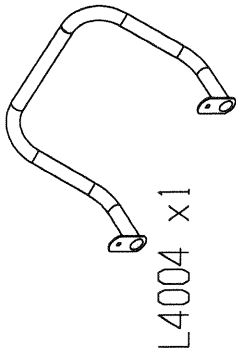
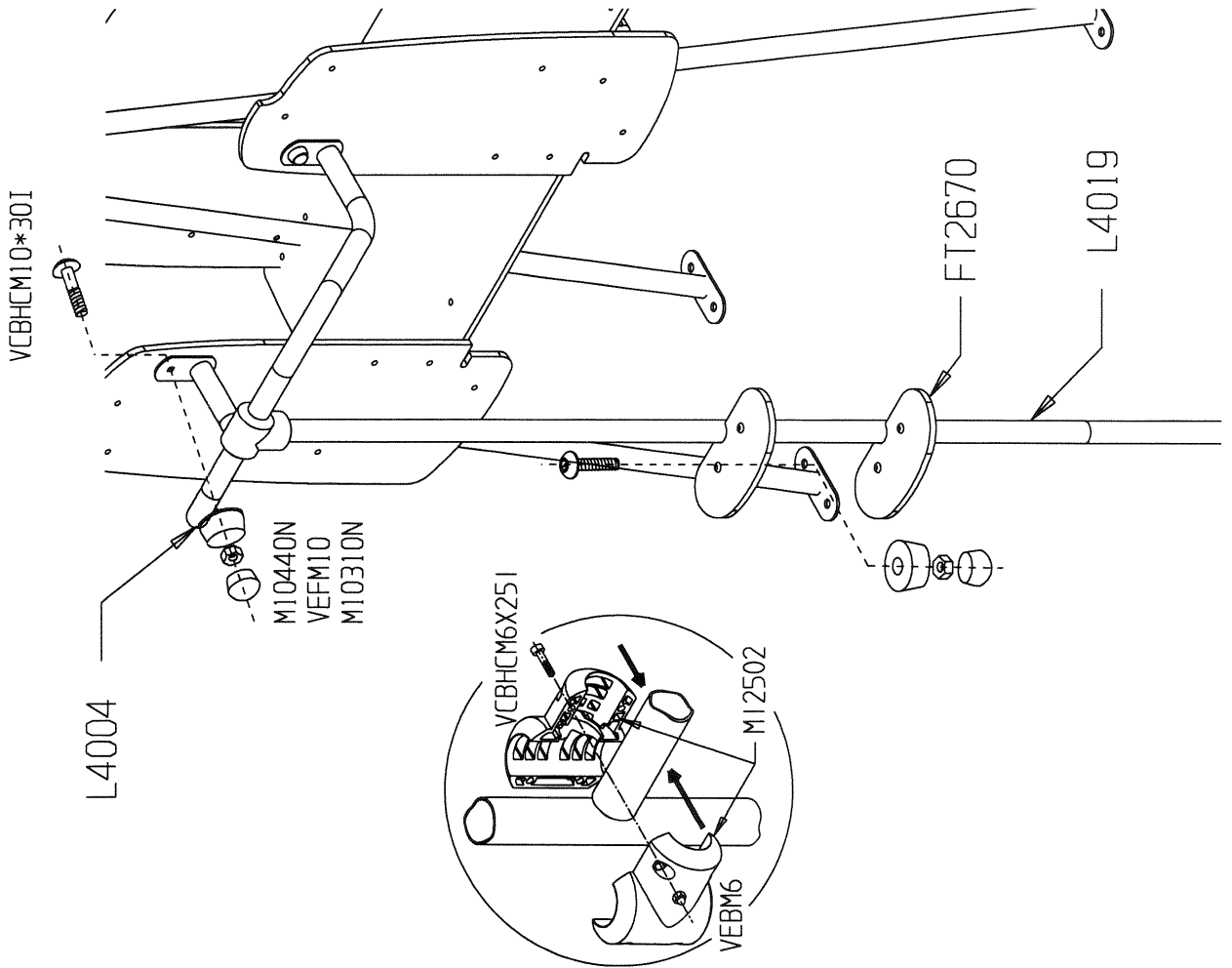
4



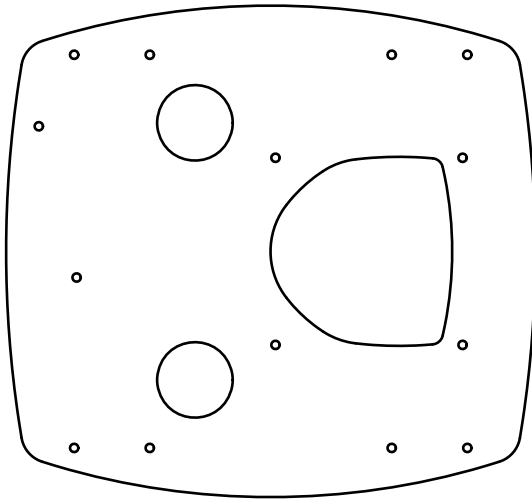
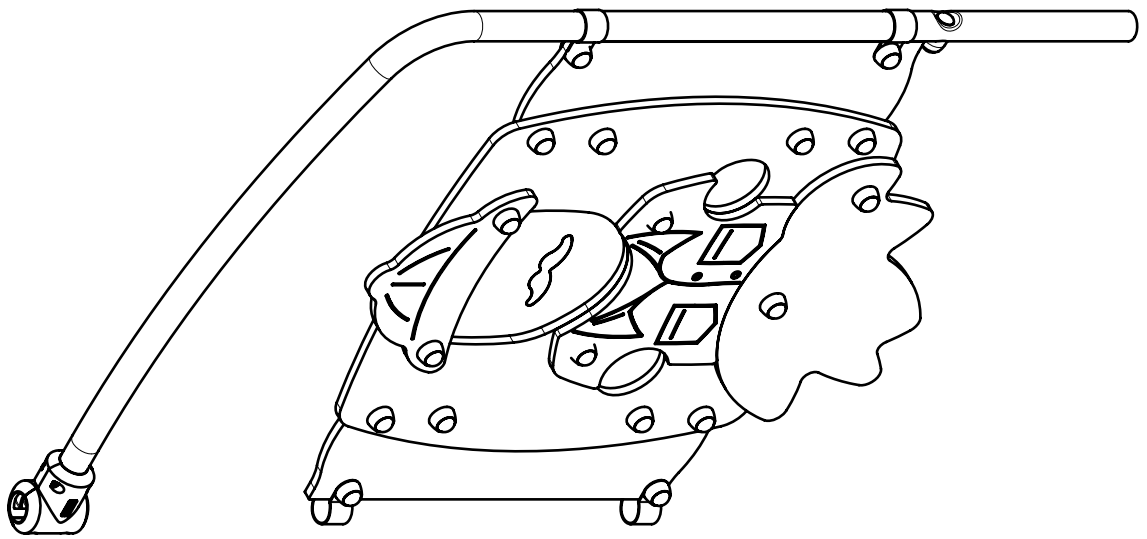


	LI033	6
	MI32N	6
	MI2503N	12
	M10440N	8
	VEFM10	8
	VCBHCMI0*30I	6
	M10310N	2

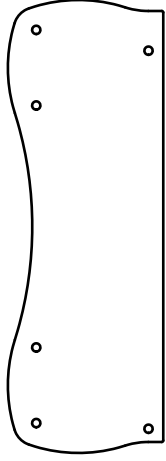




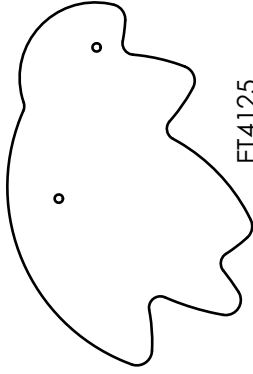
	VCBHC10*30I	4
	M10310 N	4
	M10440 N	4
	VEFM10	4
	VCBHC6*25I	4
	VEBM6	4



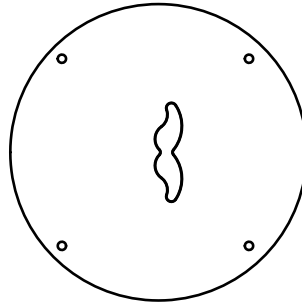
ET4126



ET3406



ET4125



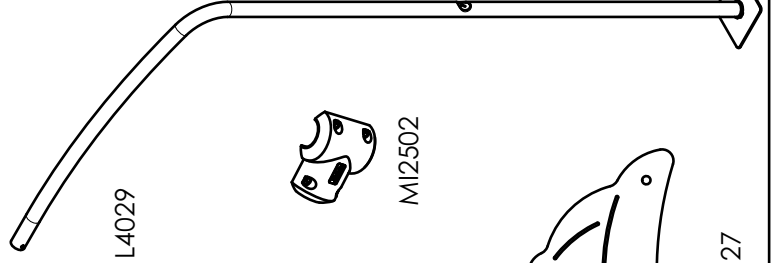
SA4000



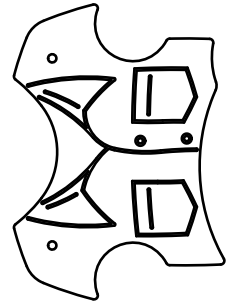
LI4505



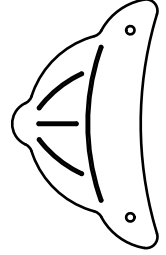
MI2502



L4029

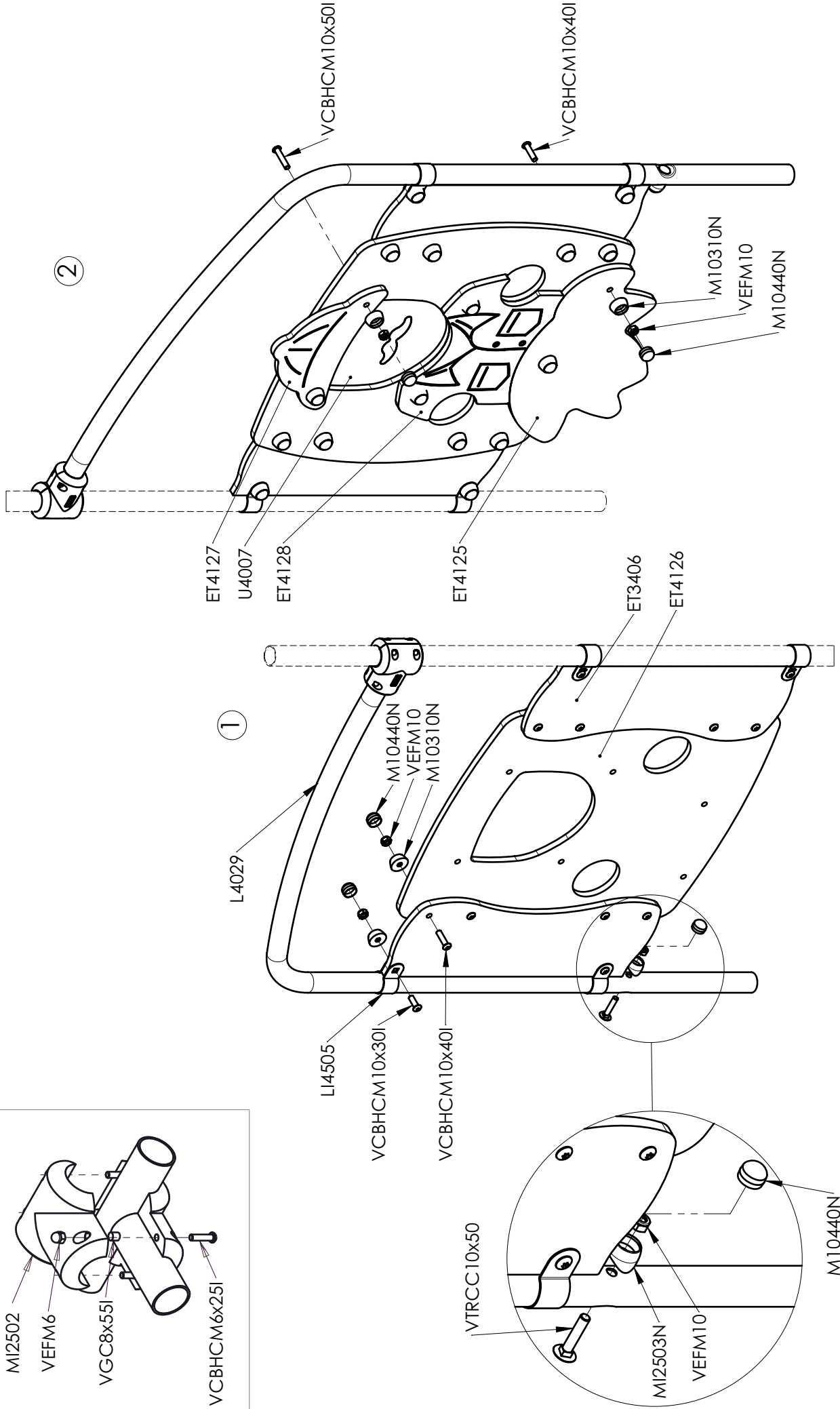
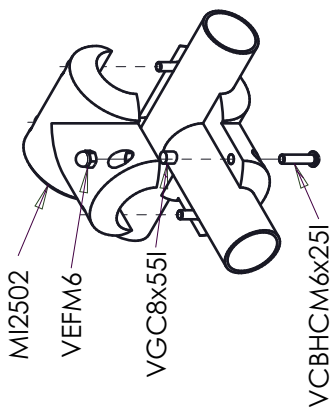


ET4128

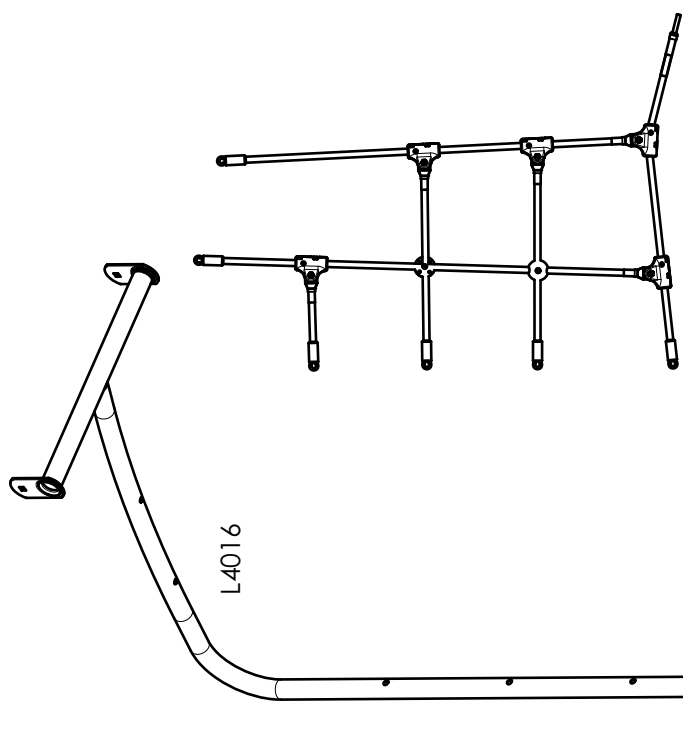
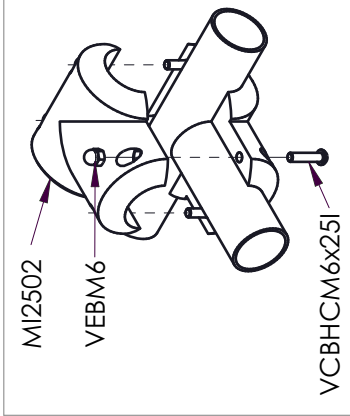
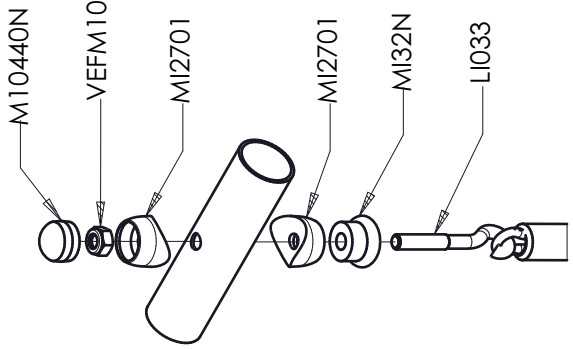
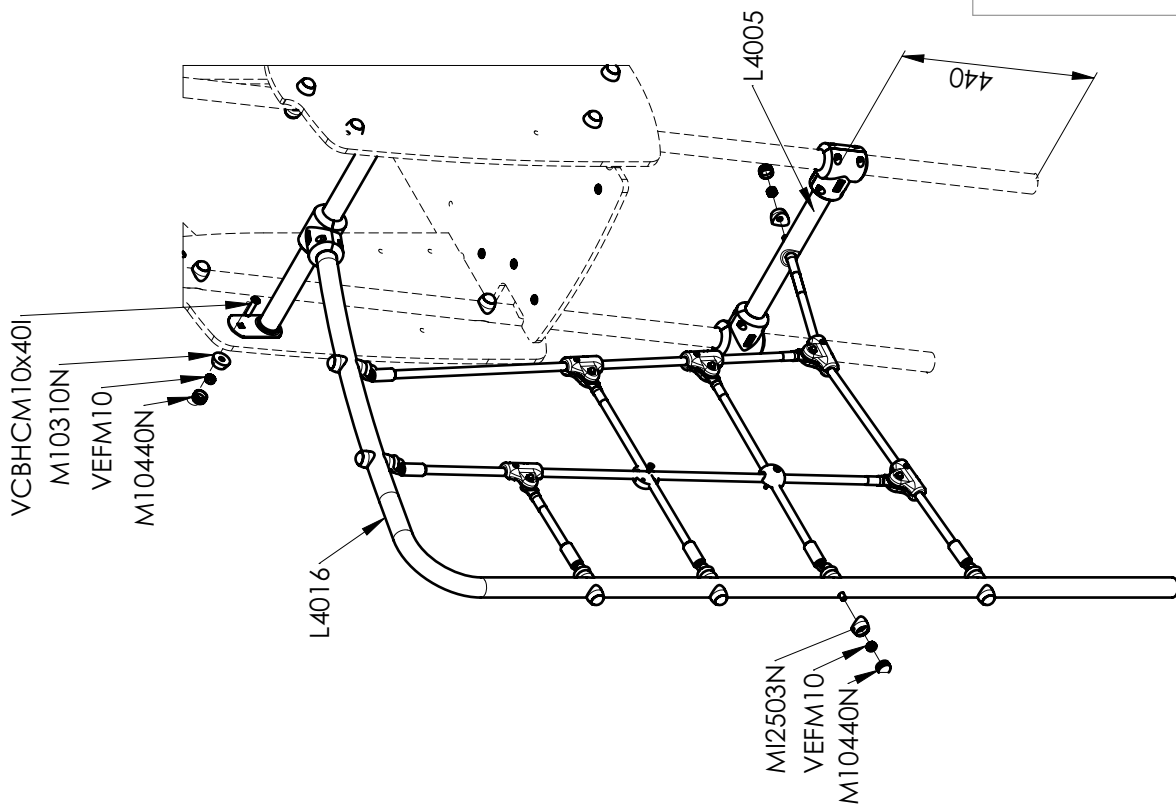


ET4127

Réf	Qté
ET3406PL	2
ET4125PV	1
ET4126PV	1
ET4127PL	1
ET4128PL	1
L4029	1
LI4505	4
M10310N	18
M10440N	19
MI2502N	2
MI2503N	1
U4007	1
VCBHCM10x30I	4
VCBHCM6x25I	4
VCBHCM10x50I	4
VCBHCM10x40I	10
VEBM6	4
VEFM10	19
VGC8x55I	1
VTRCC10x50	1





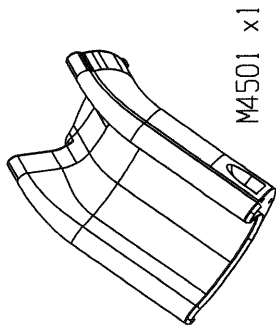
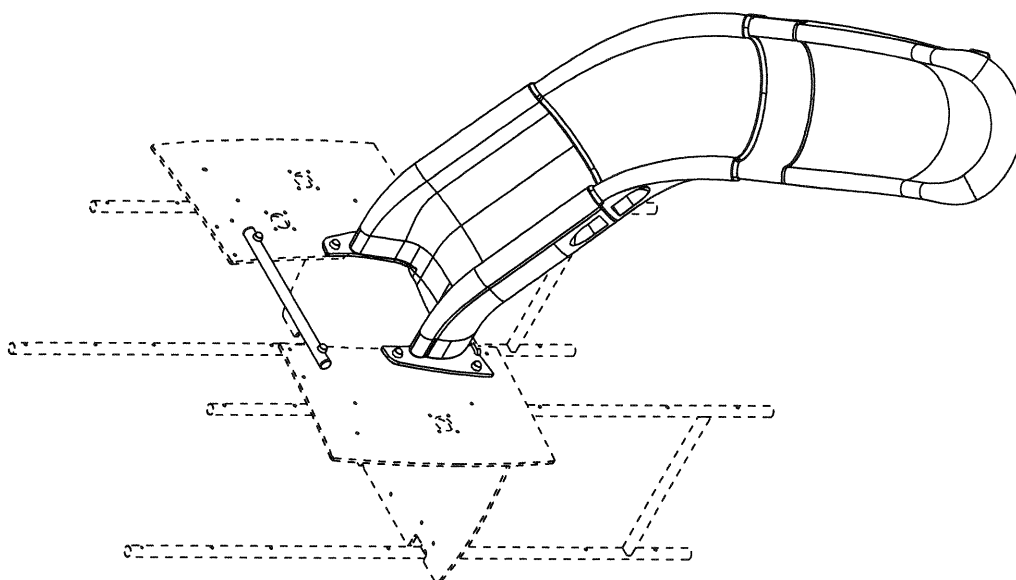


U4000

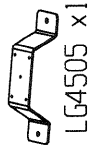
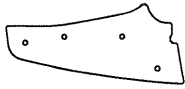
Réf	Qté
L4005	1
L4016	1
LI033	6
M10310N	2
M10440N	9
MI32N	6
MI2502N	6
MI2503N	13
U4000	1
VCBHCM10x40I	2
VCBHCM6x25I	12
VEBM6	12
VEFM10	9



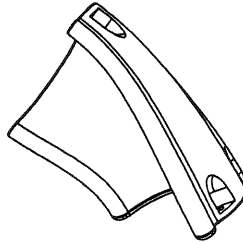
MI2502N



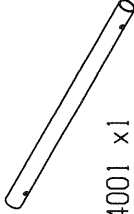
ET4076PL x2



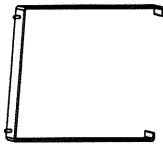
M4504 x1



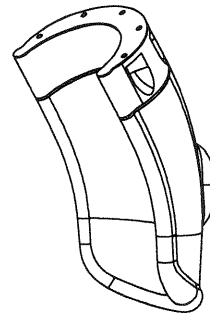
LG4001 x1



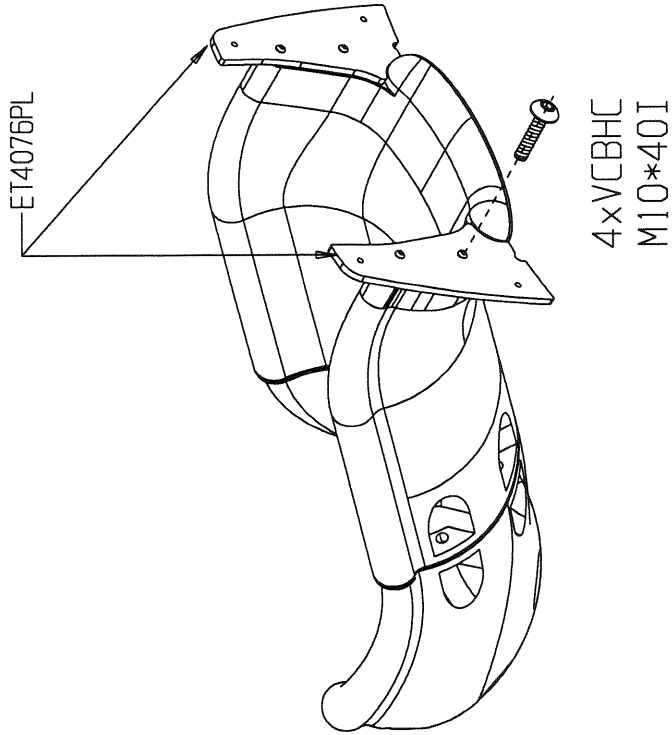
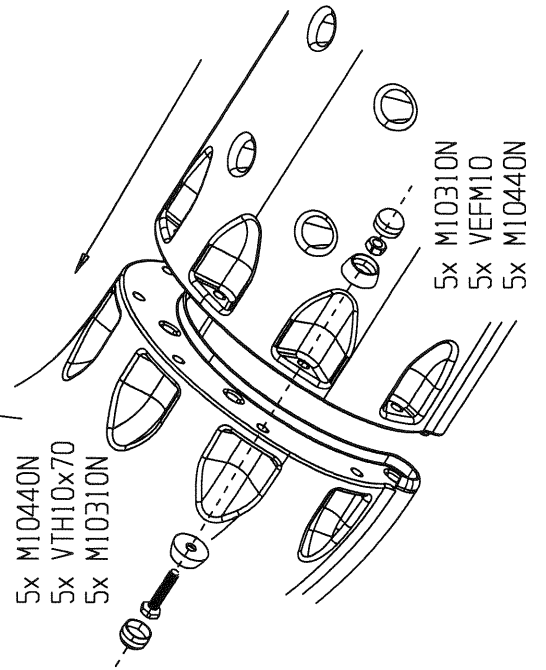
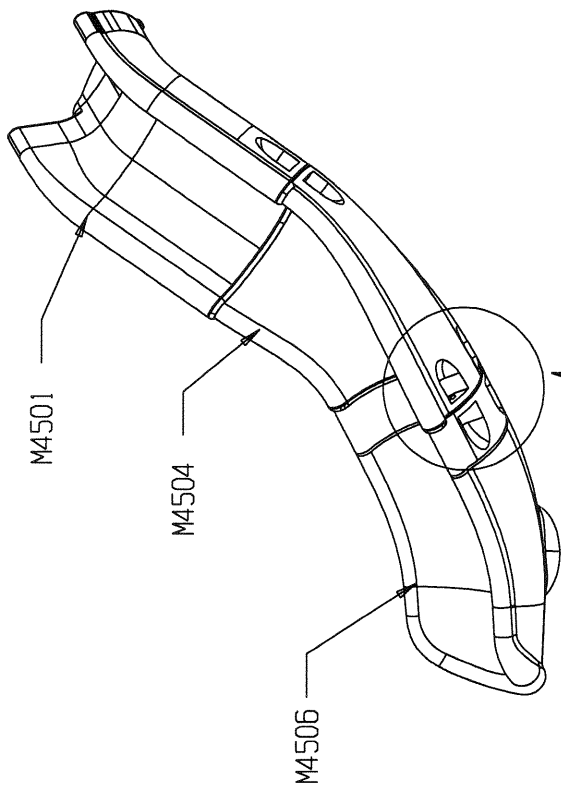
LZ311 x1

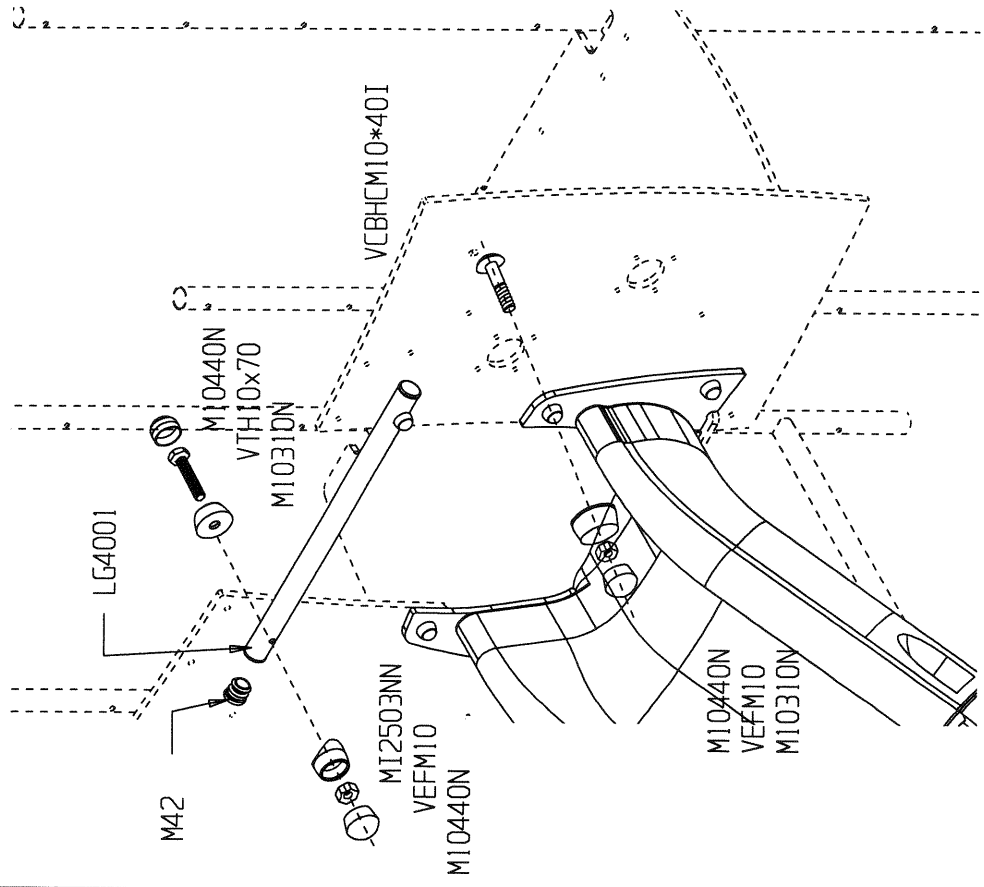
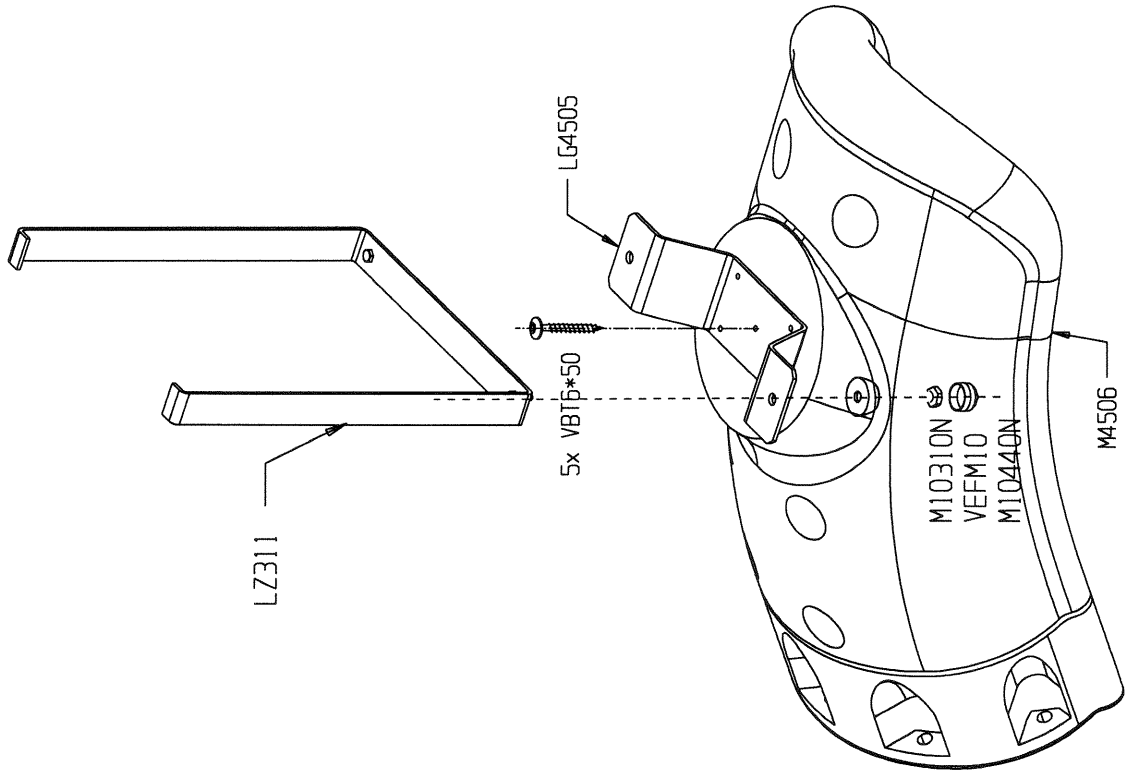


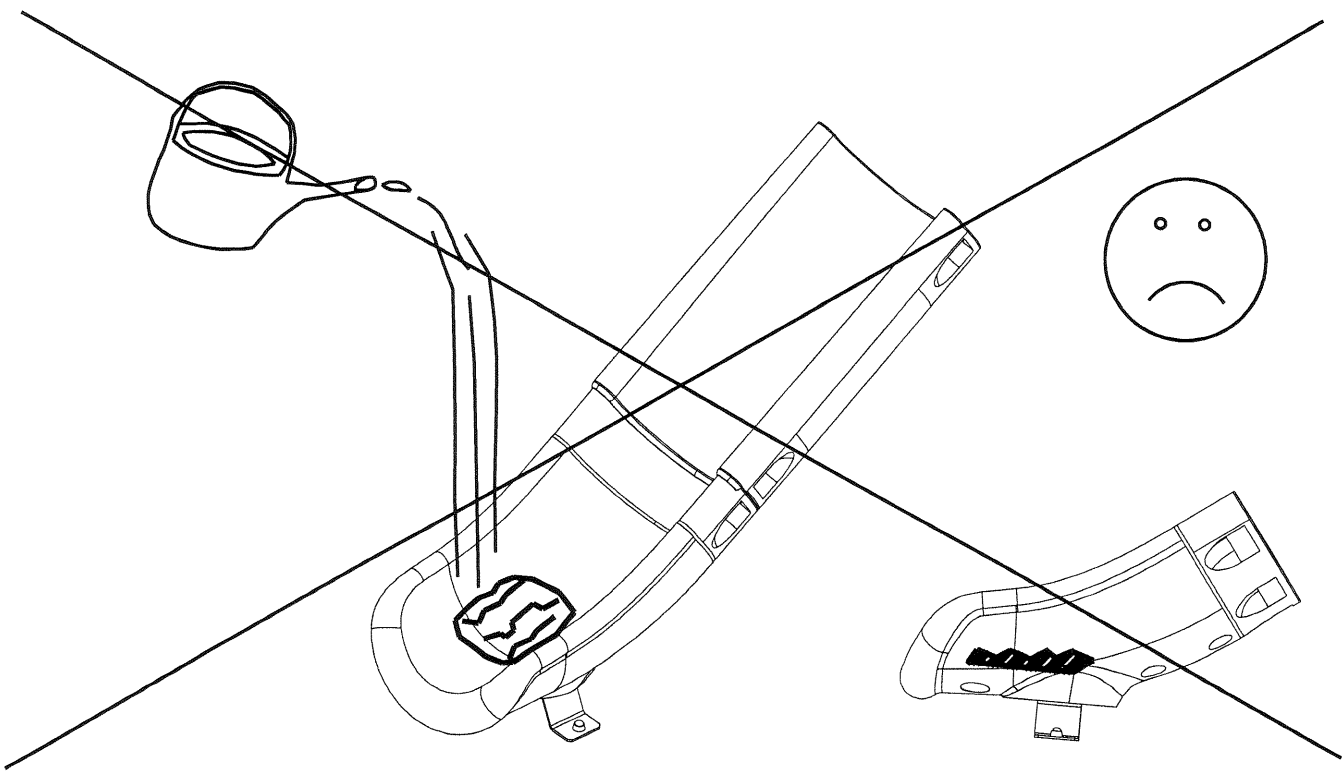
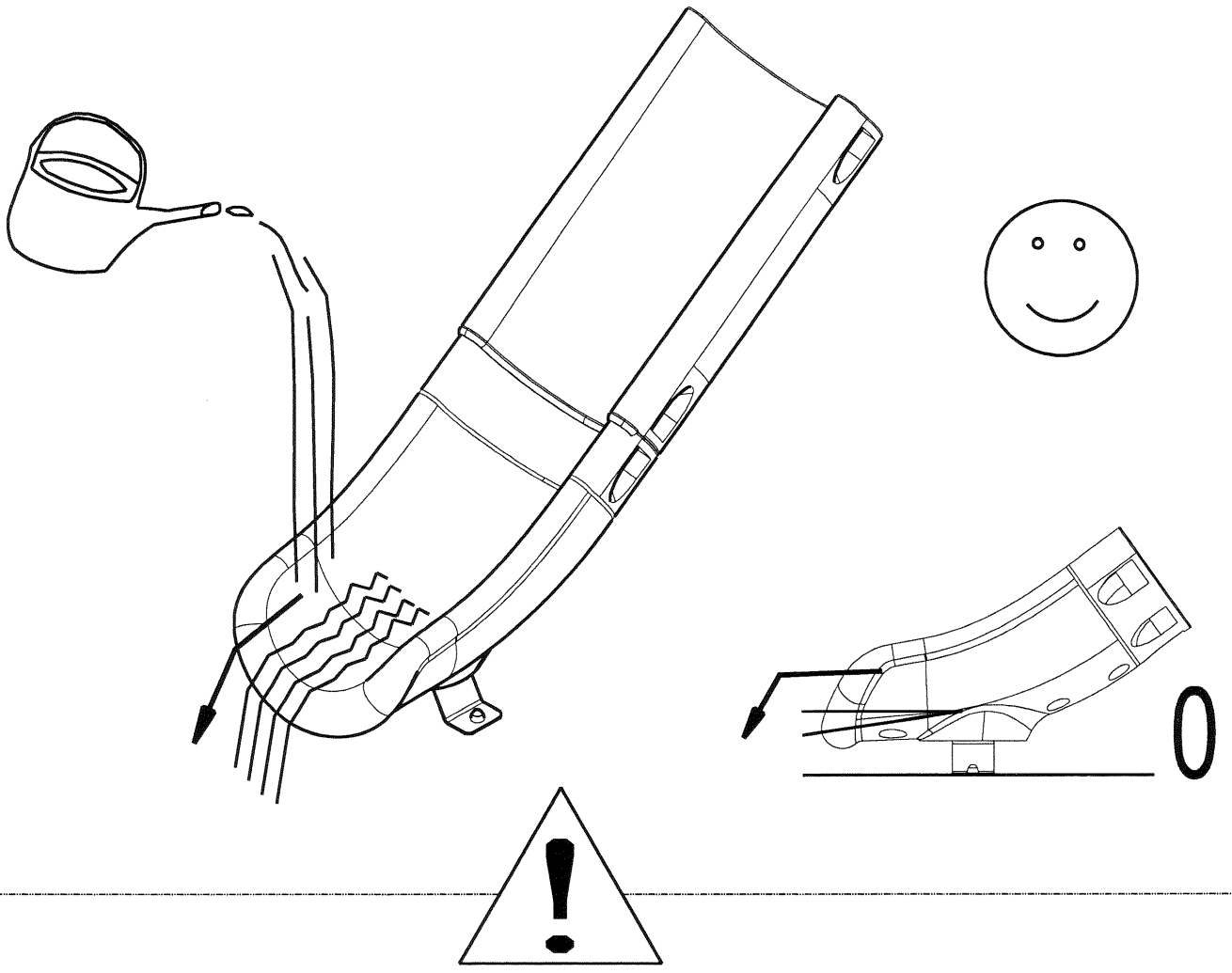
M4506 x1

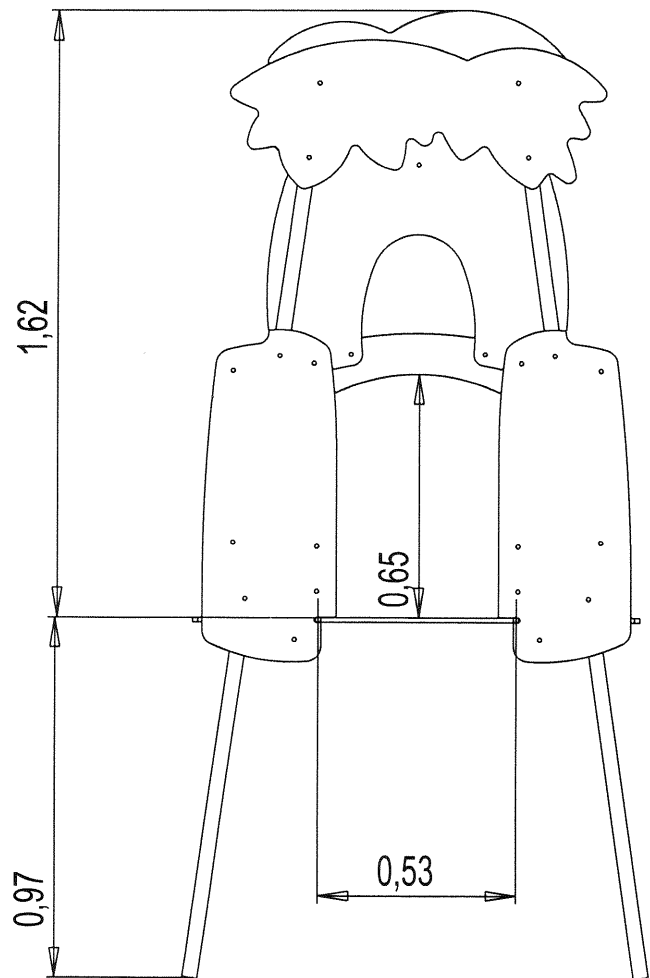
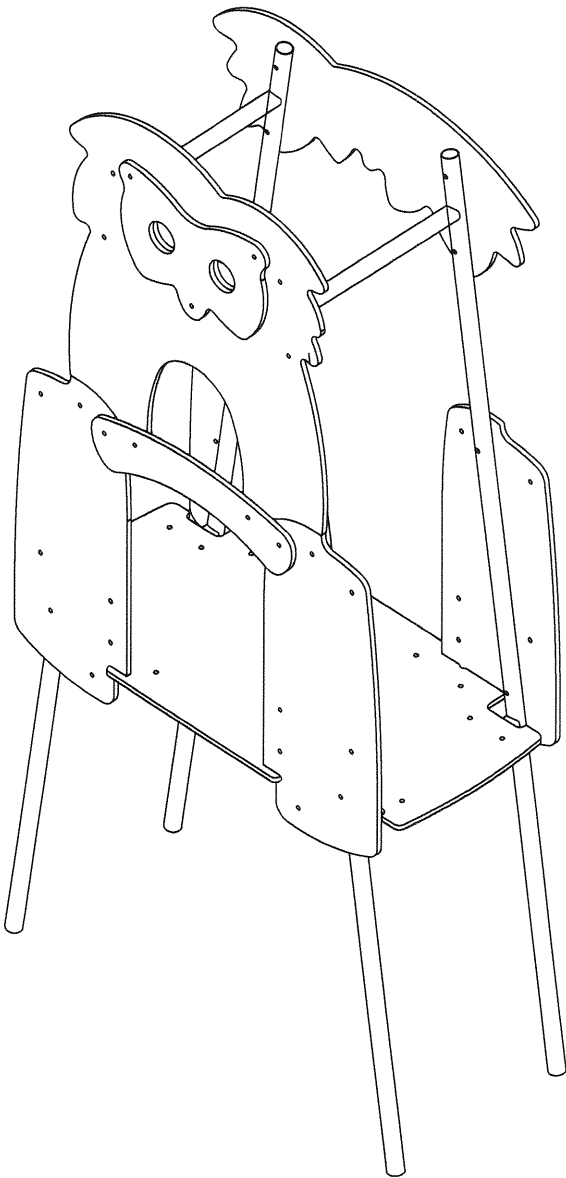


	VCBHC10*40I	8
	M10310N	28
	M10440N	30
	VEFM10	20
	VTH 10x70	12
	MI2503N	2
	M42	2
	VBT6*50	5

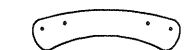
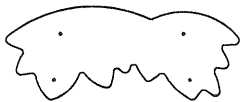




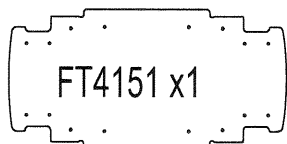




ET4033PV x1

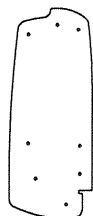


ET4026PL x1



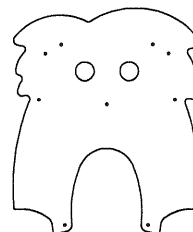
FT4151 x1

ET4032L x1

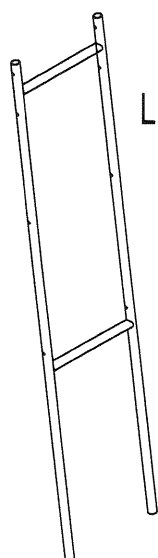


ET4152L x4


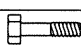
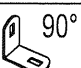

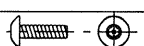
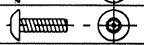



ET4153PV x1



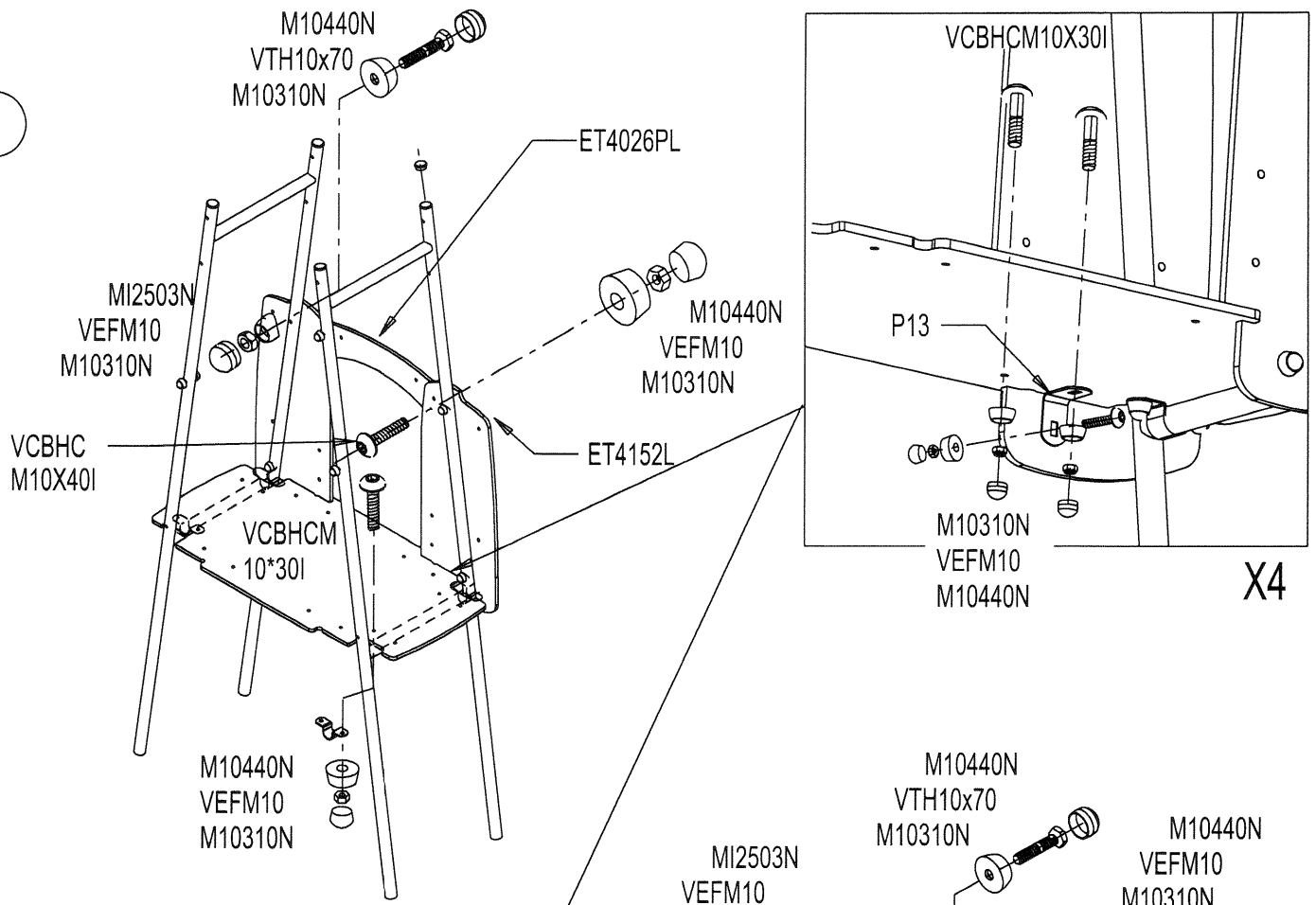
LI2610  
x4



LG4002 x2

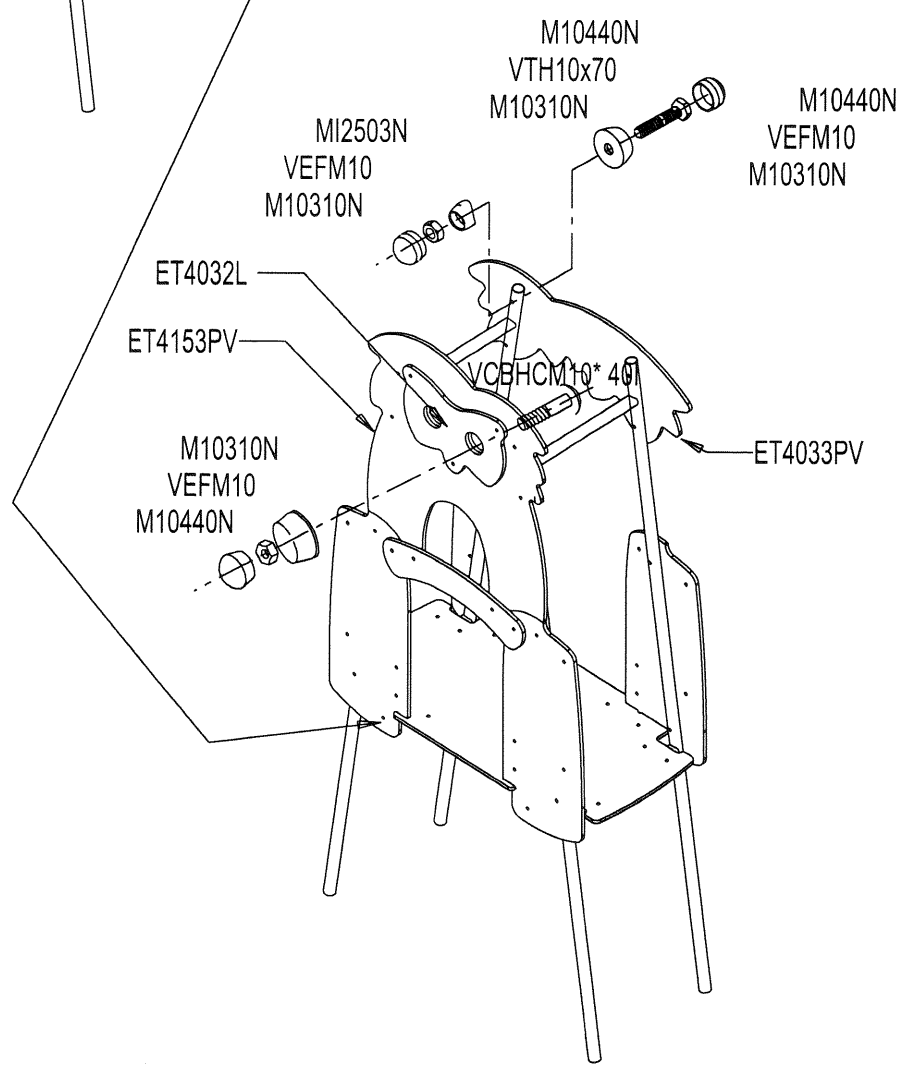
	MI2503N	16
	VTH 10x70	16
 90°	70 mm :P13	4
	M42	4
	VCBHCM10*30I	16
	VCBHCM10*40I	7
	M10310N	39
	M10440N	55
	VEFM10	39

1

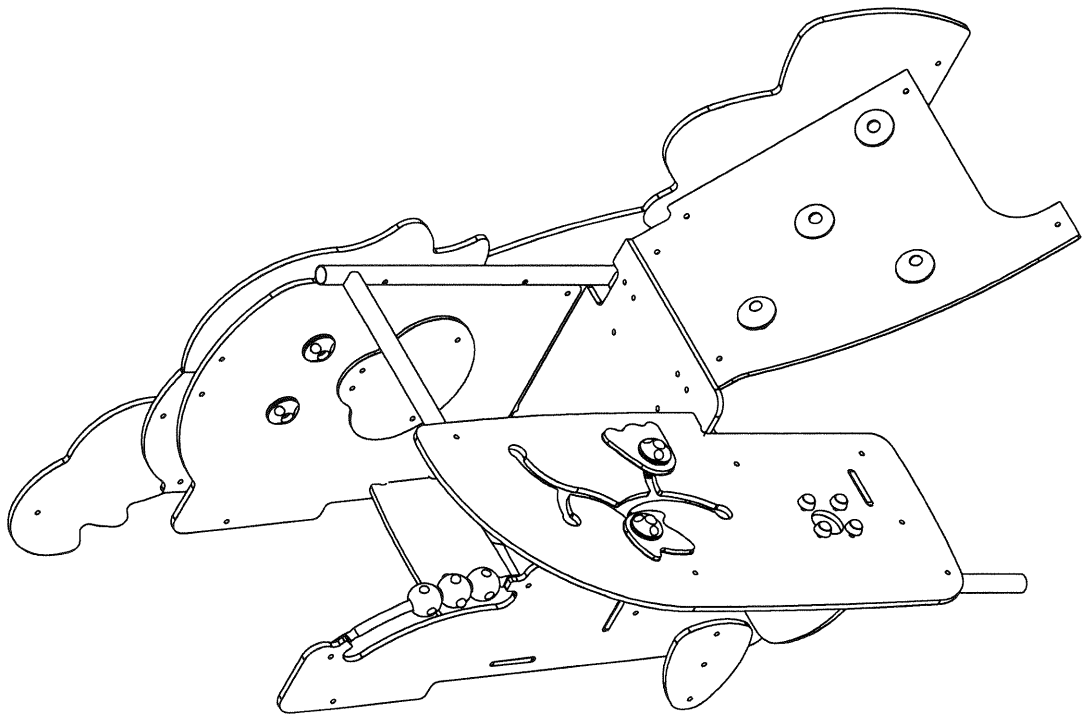
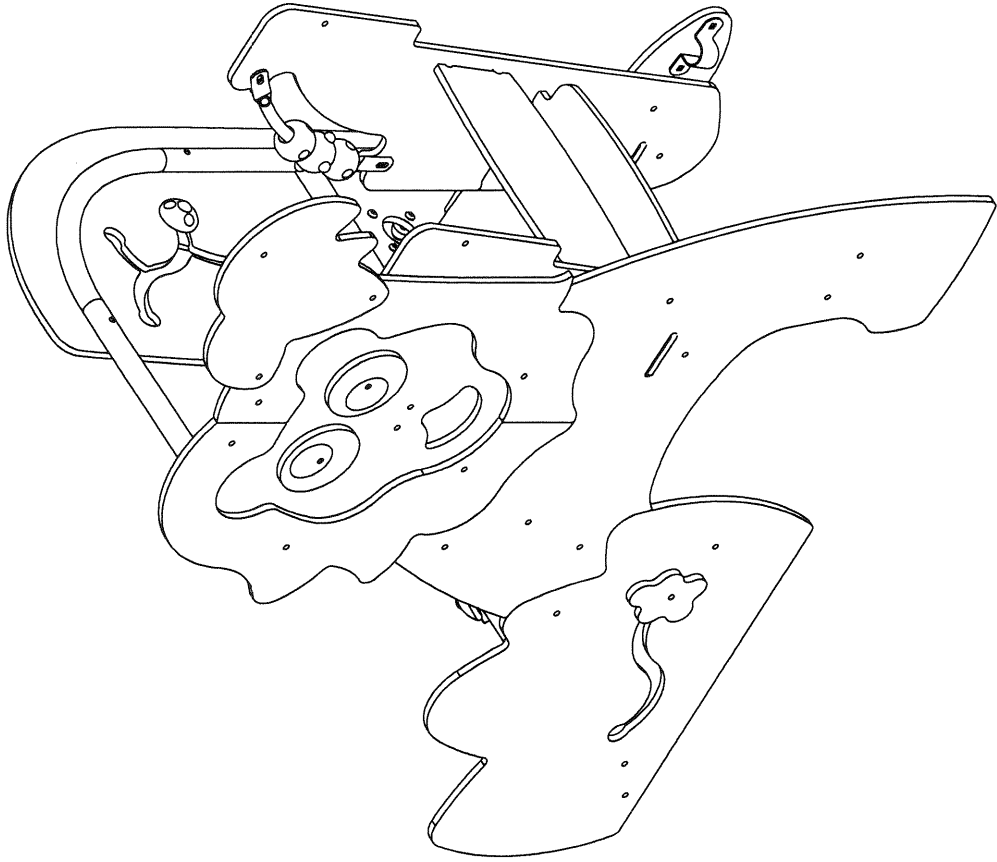


X4

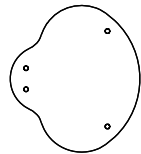
2



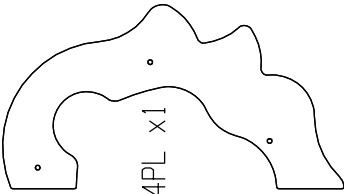




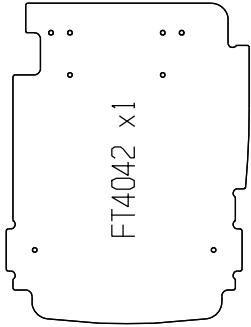
ET4145 x2



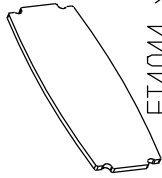
EM4144R x1



ET4134PL x1



FT4042 x1



FT4044 x1



MI3800VX x2



MI3800J x1

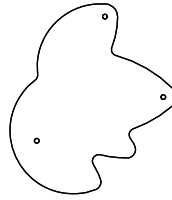


MI38000 x1

EP3425J x1

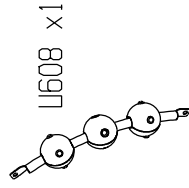


ET4022L x1

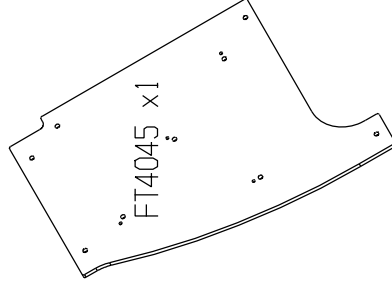


ET4132PV x1

FT4043 x1



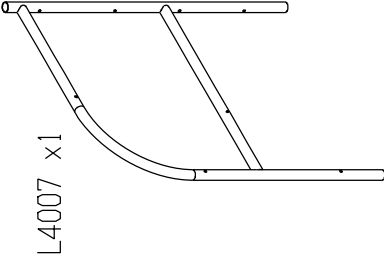
LI608 x1



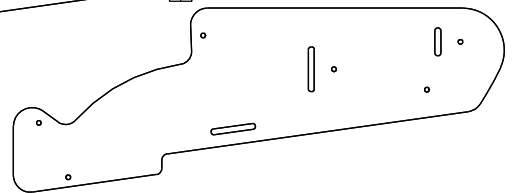
FT4045 x1



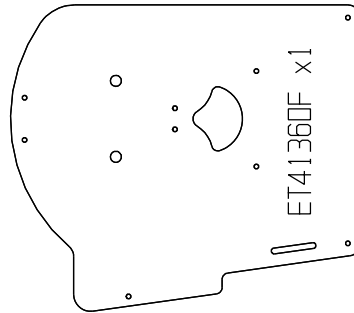
LI2610 X4



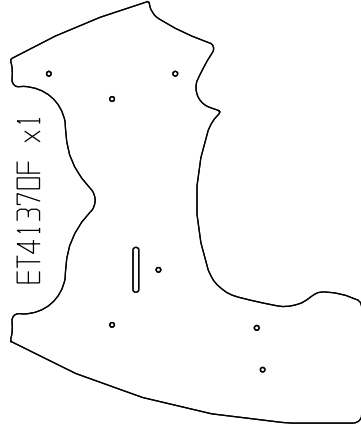
L4007 x1



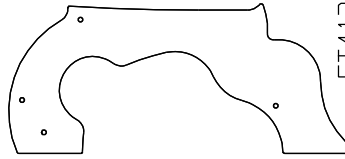
ET4041PL x1



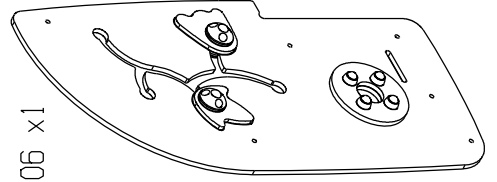
ET41360F x1



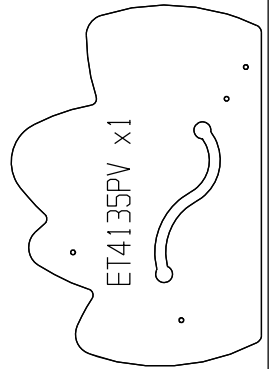
ET41370F x1



ET4133PL x1



L4006 x1



ET4135PV x1



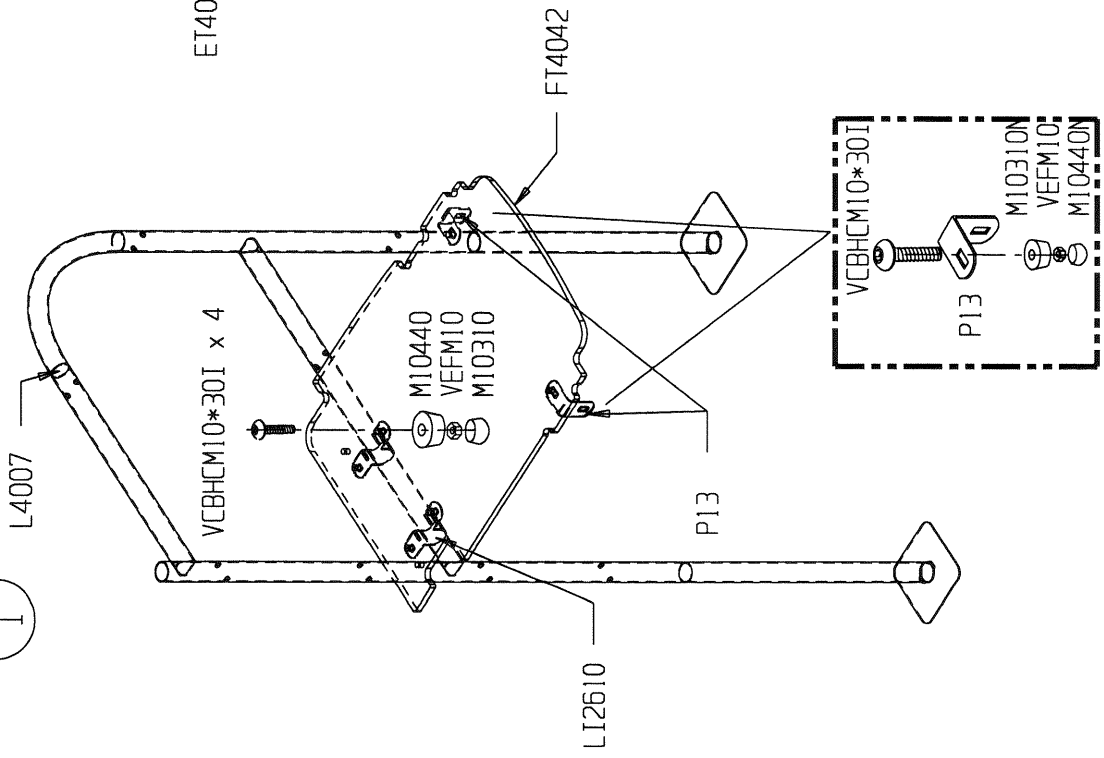
MI323J x3



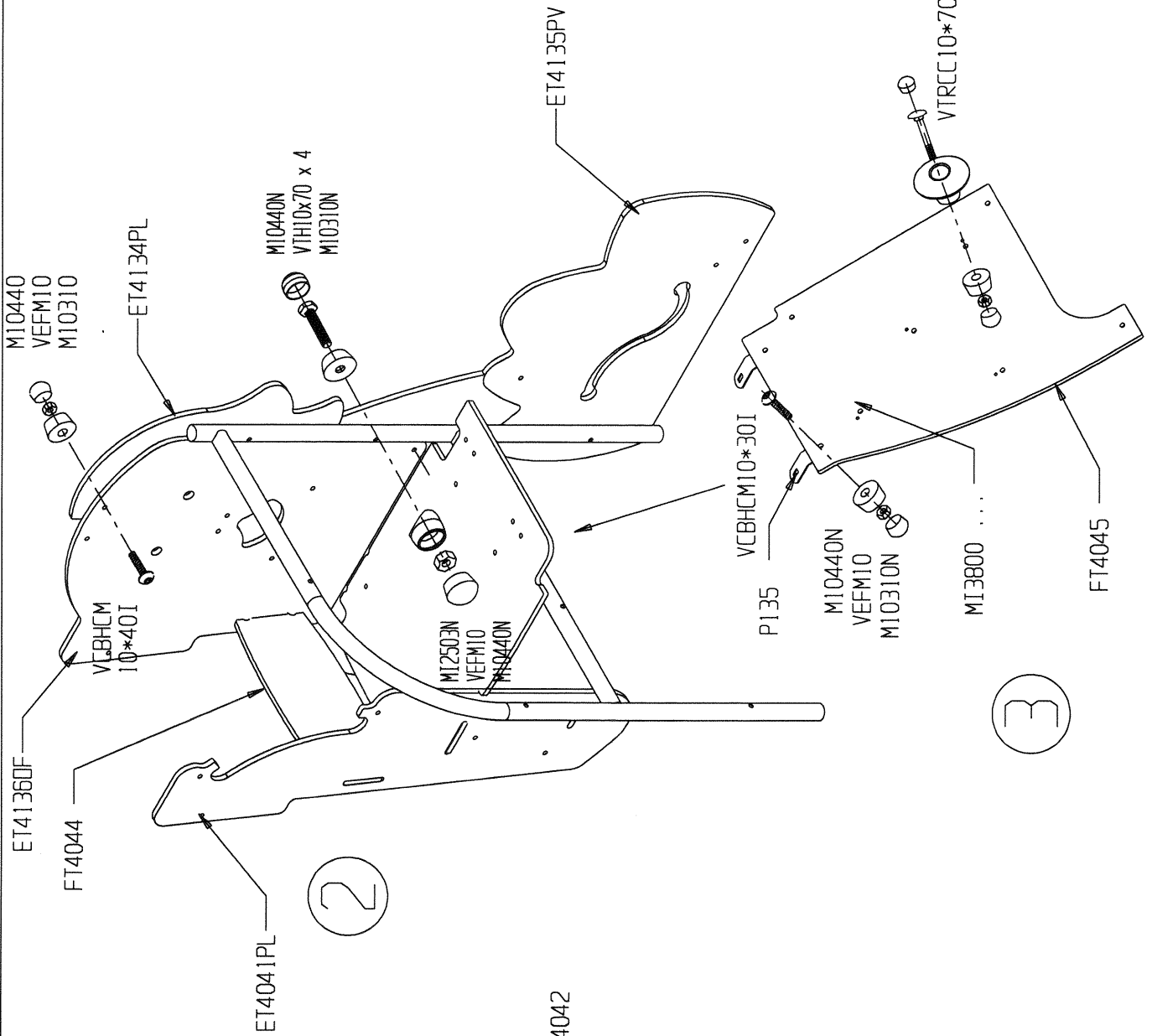
MI4700 x3

	VEFM10	53
	70 mm :P13	9
	MI2503N	6
	M42	1
	135° :P135	2
	M10310N	53
	M10440N	67
	VCBHC10x30I	29
	VCBHC10x40I	8
	VCBHC10x50I	2
	VTH 10x70	8
	VTH 10x60	3
	VTRC10*70	4

1

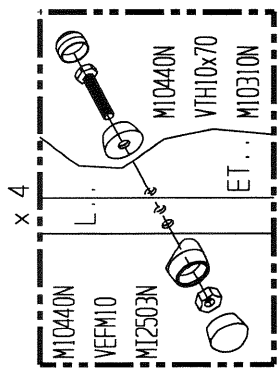
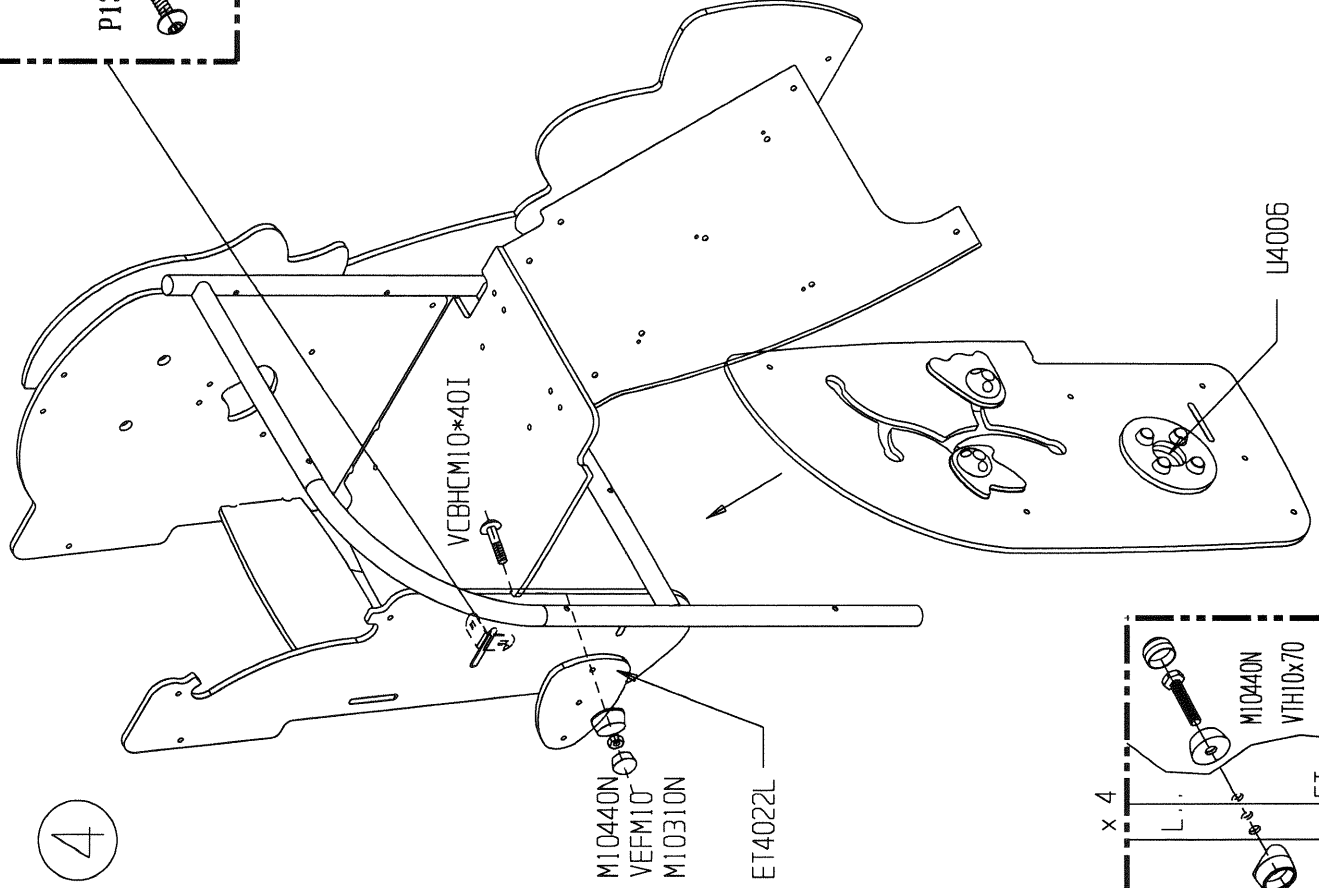
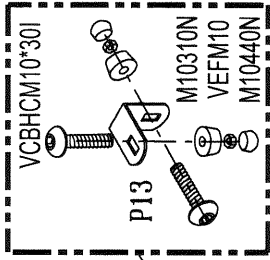


2

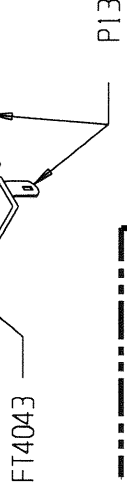
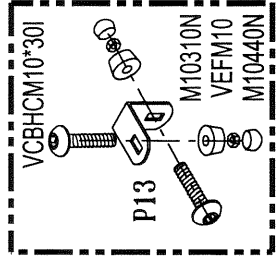
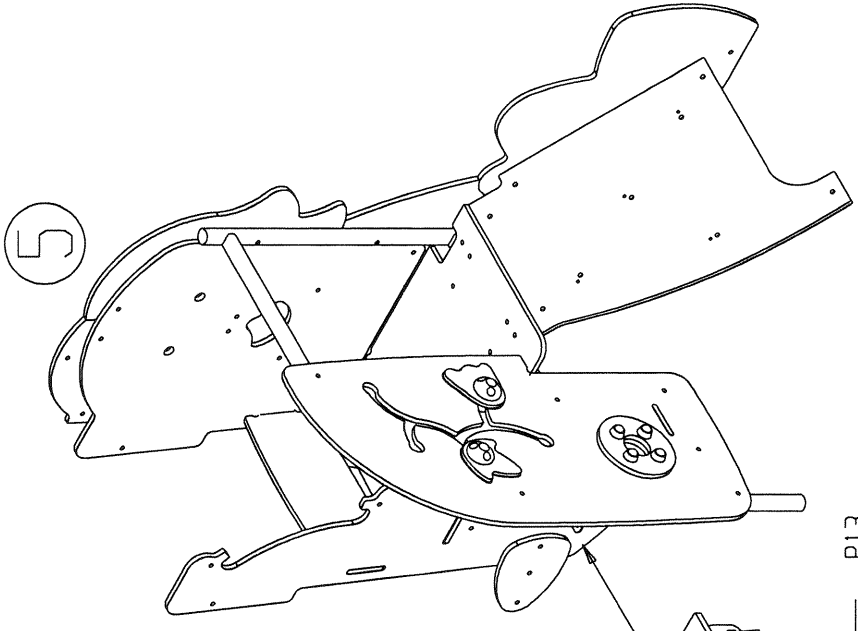


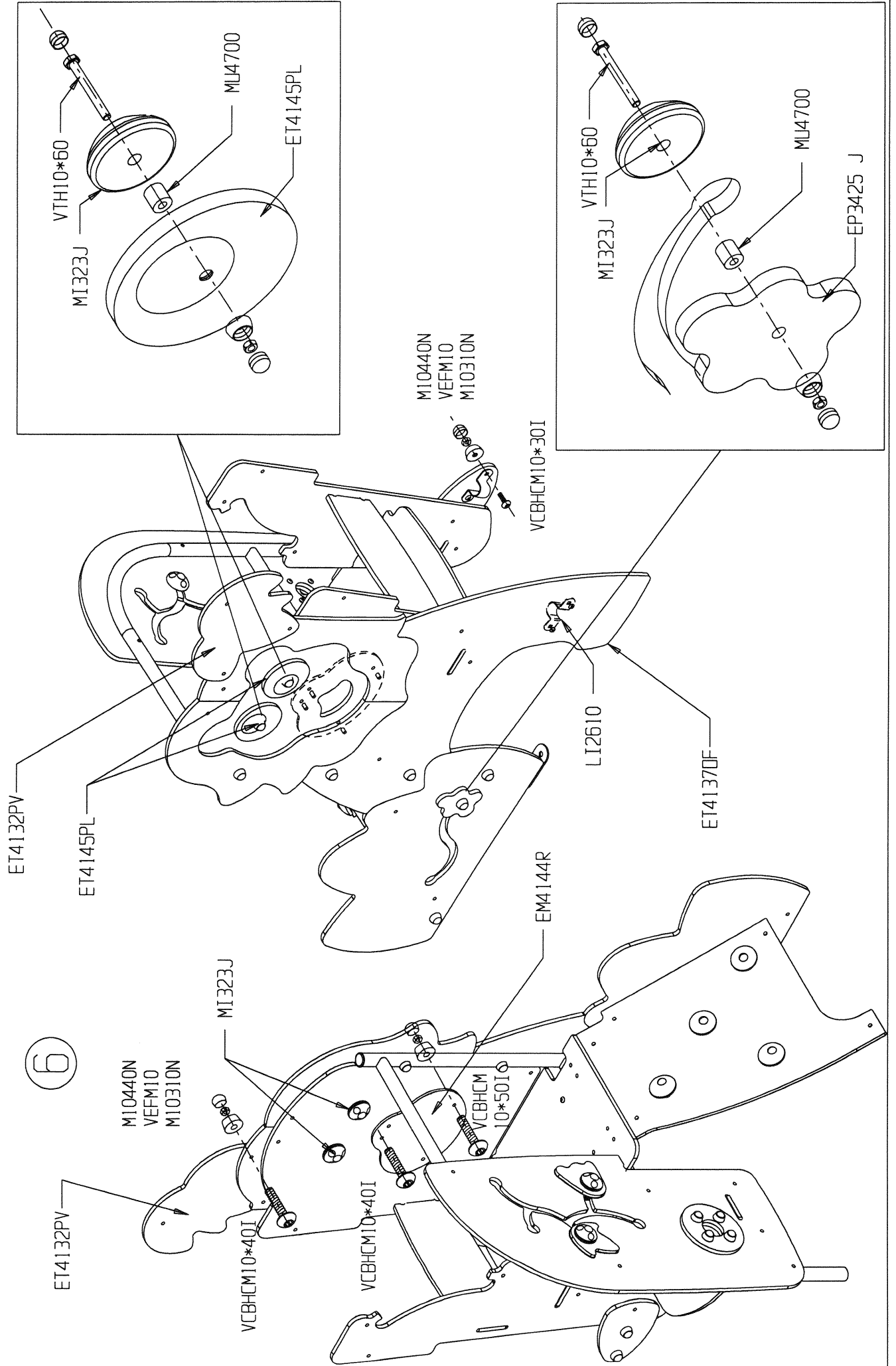
3

4

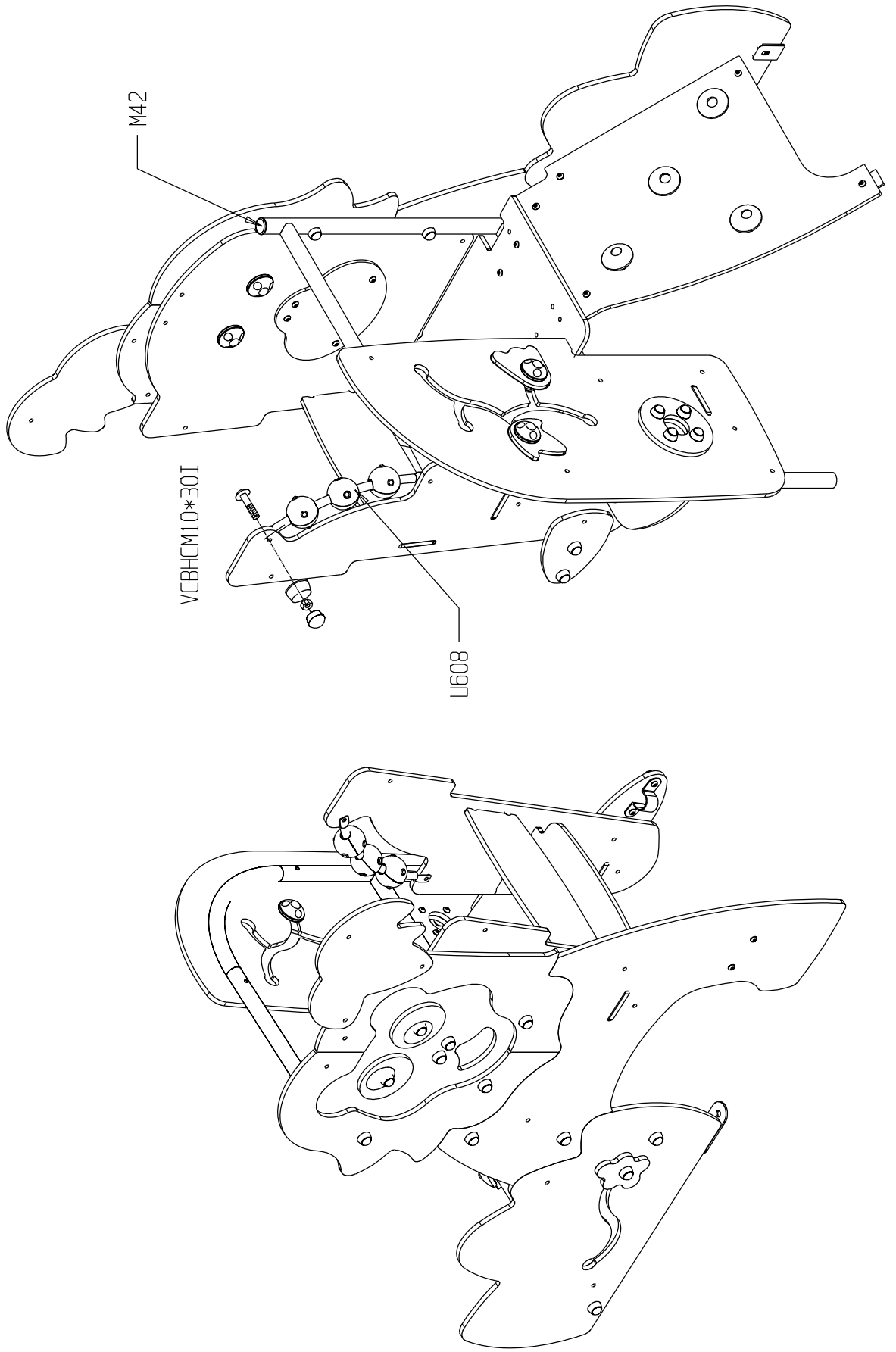


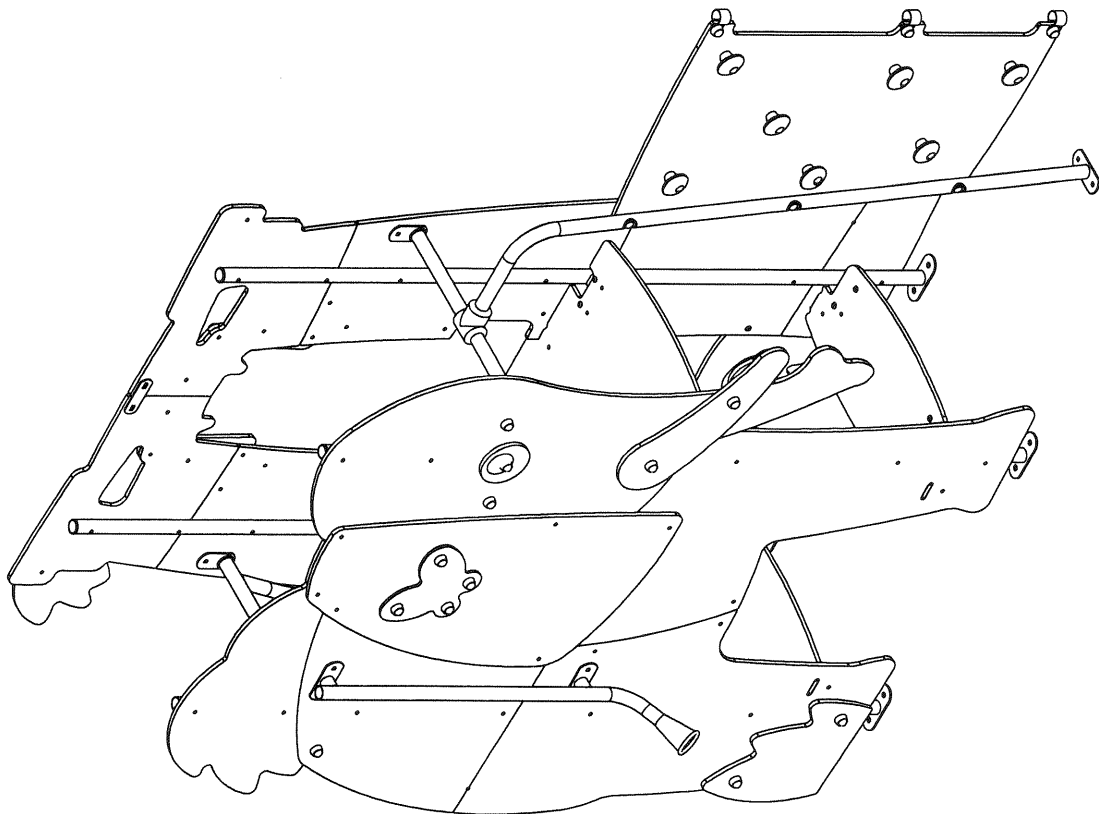
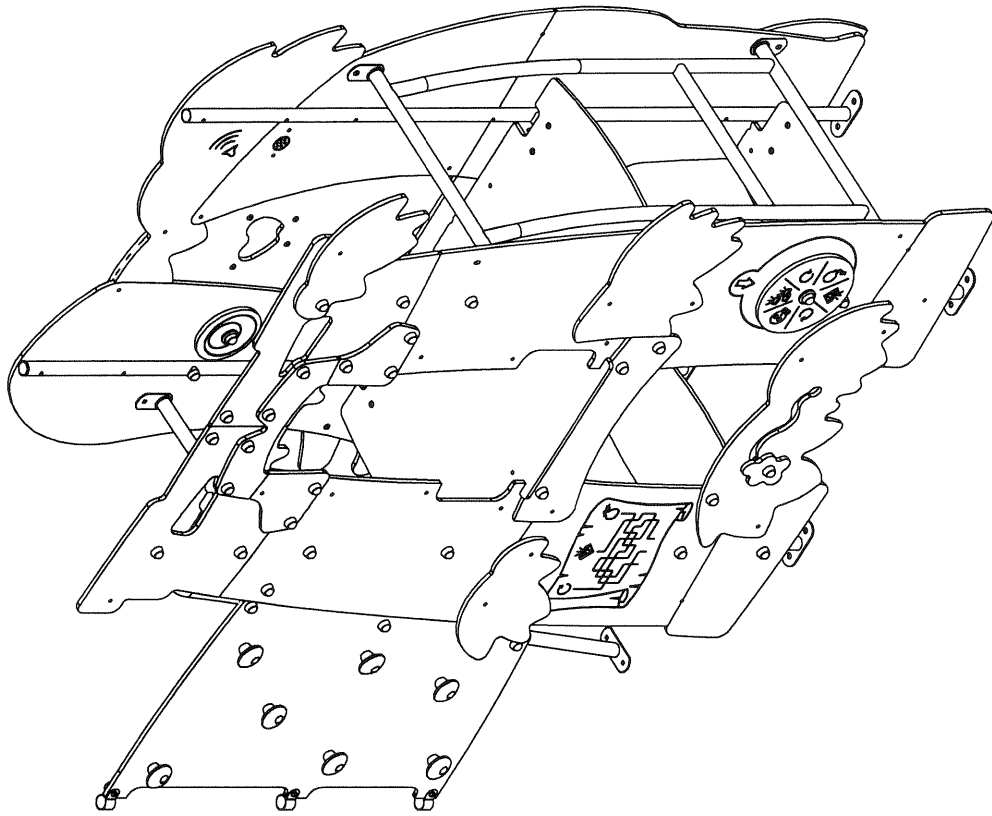
5

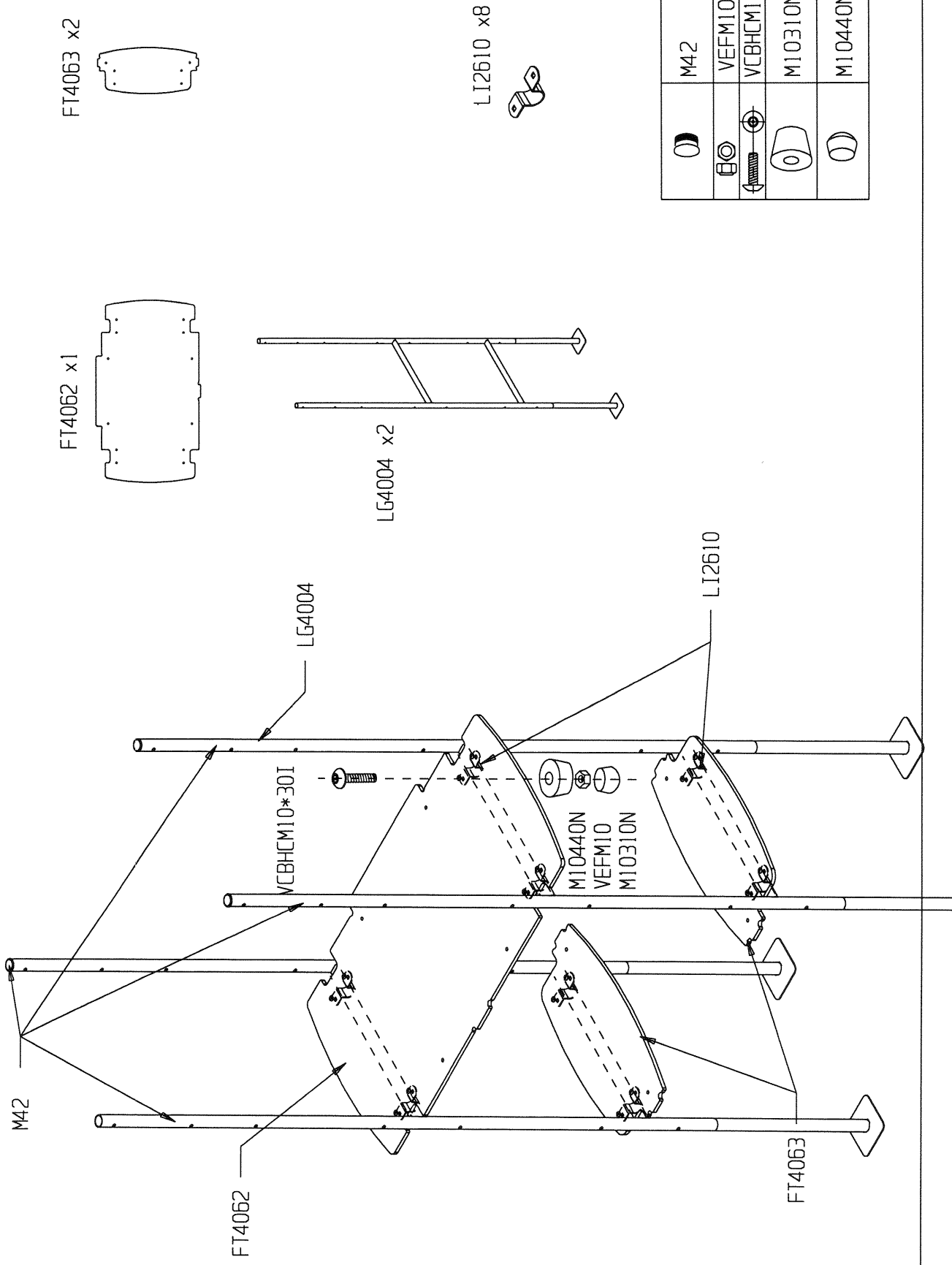




7







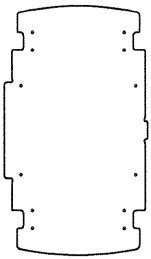
FT4063 x2



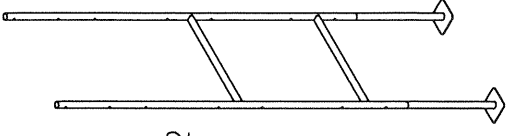
LI2610 x8



FT4062 x1

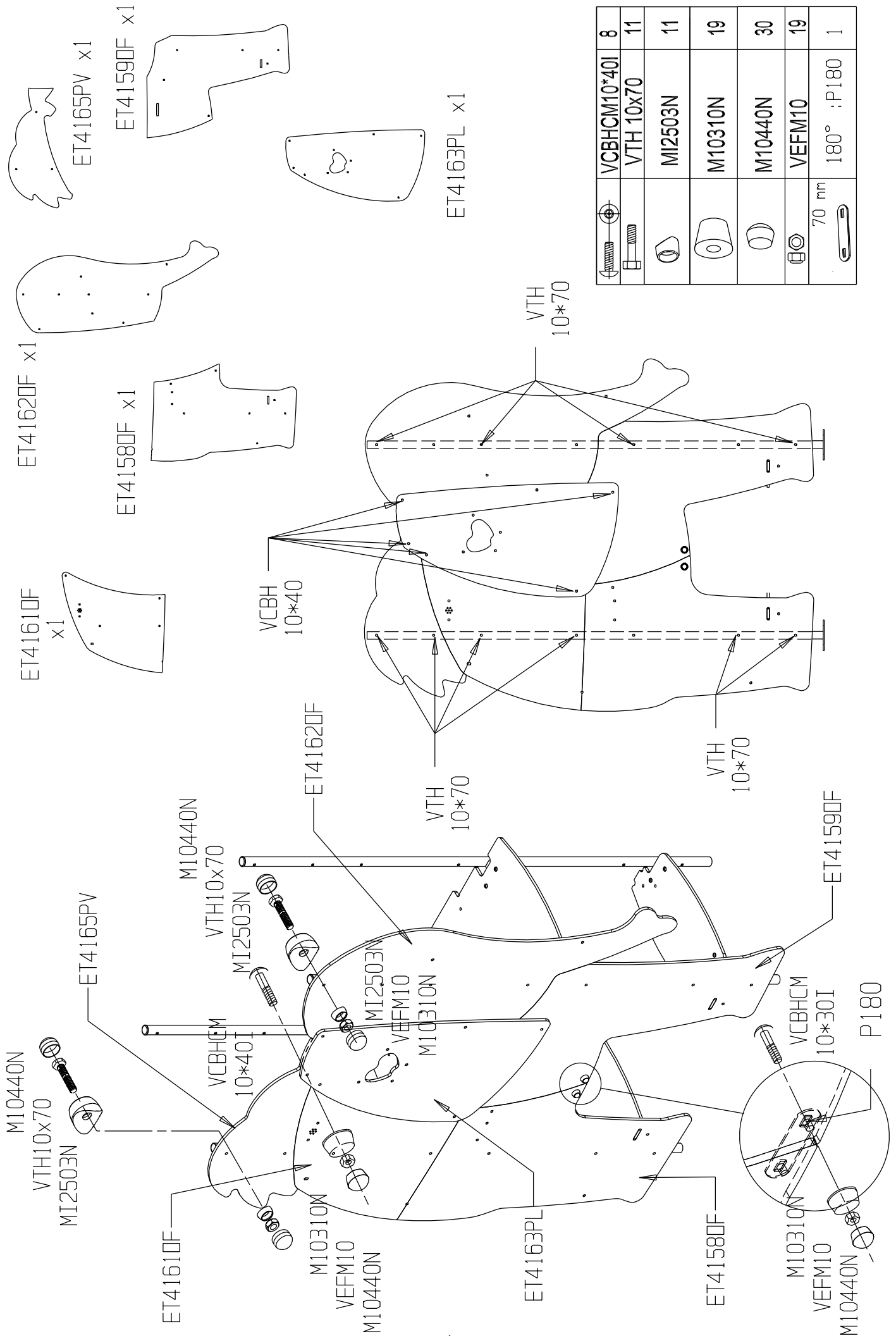


LG4004 x2

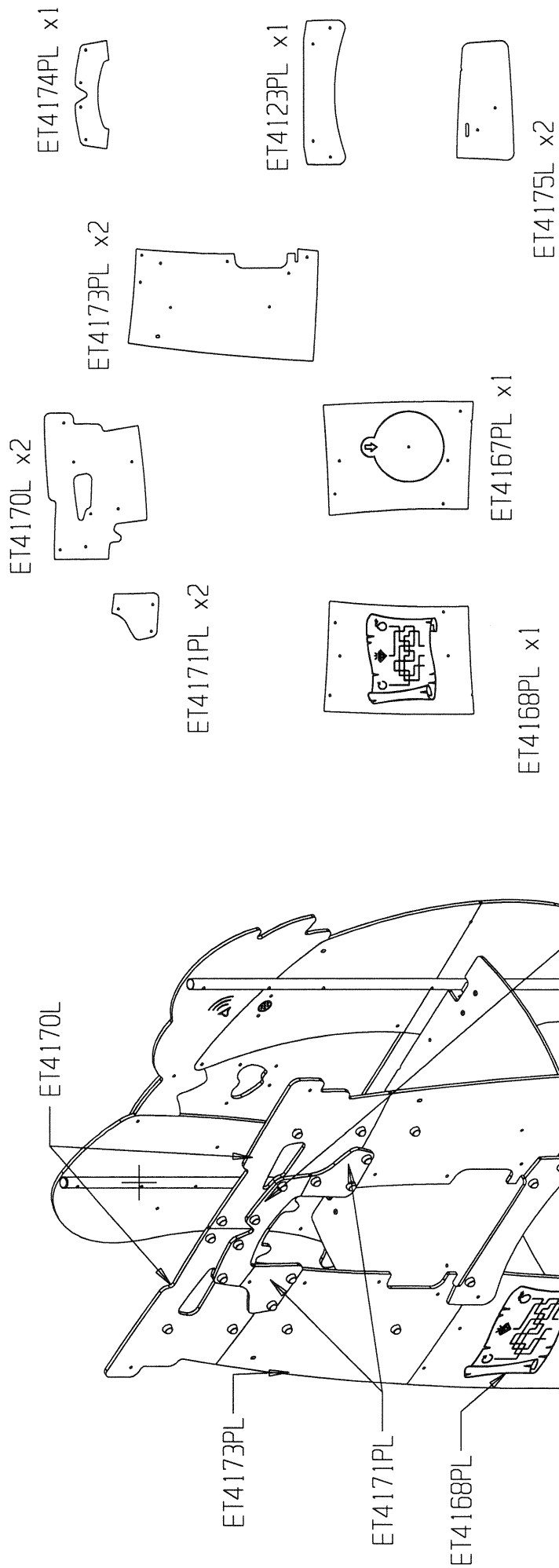


	M42	4
	VEFM10	16
	VCBHCM10*30I	16
	M10310N	16
	M10440N	16

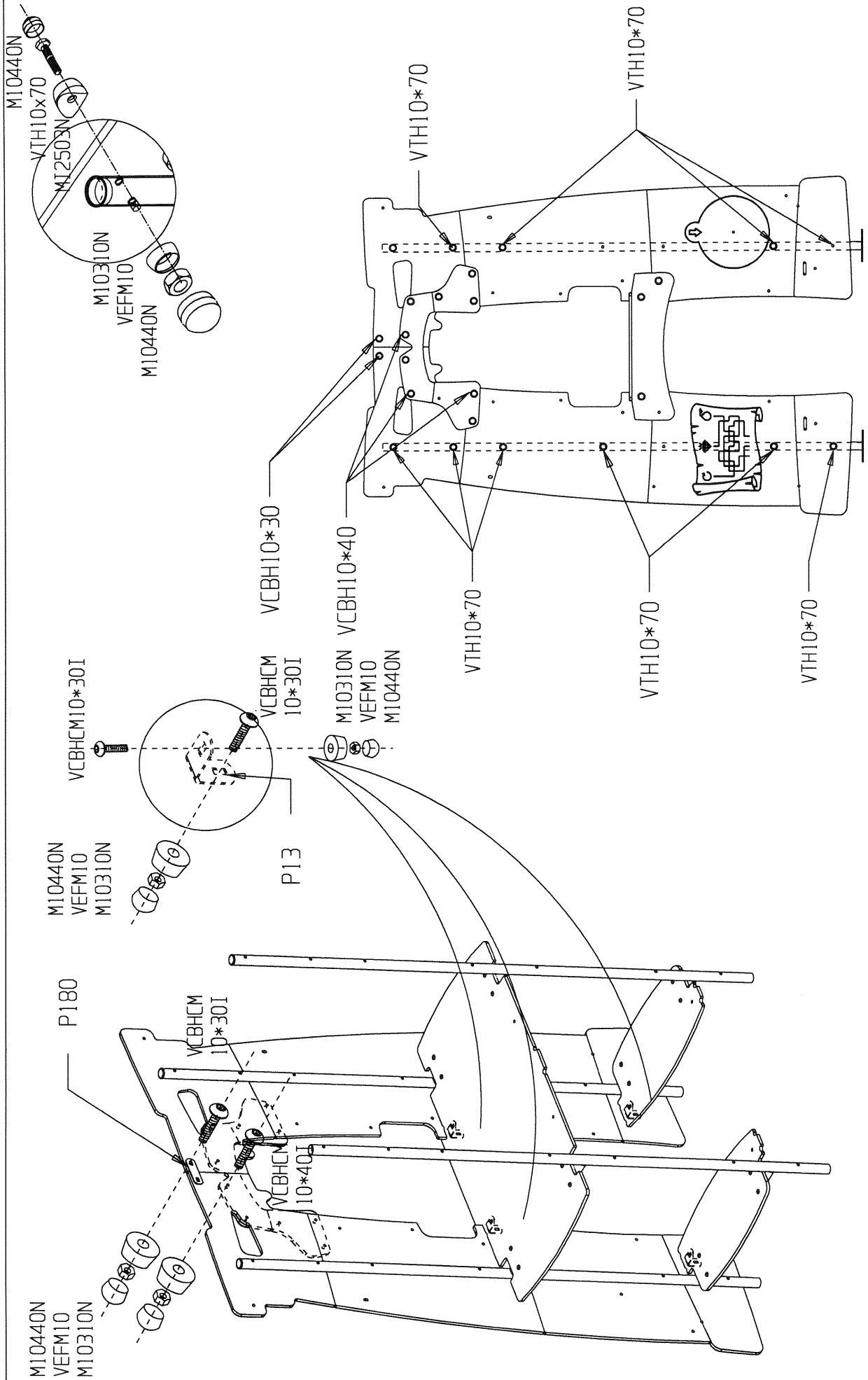




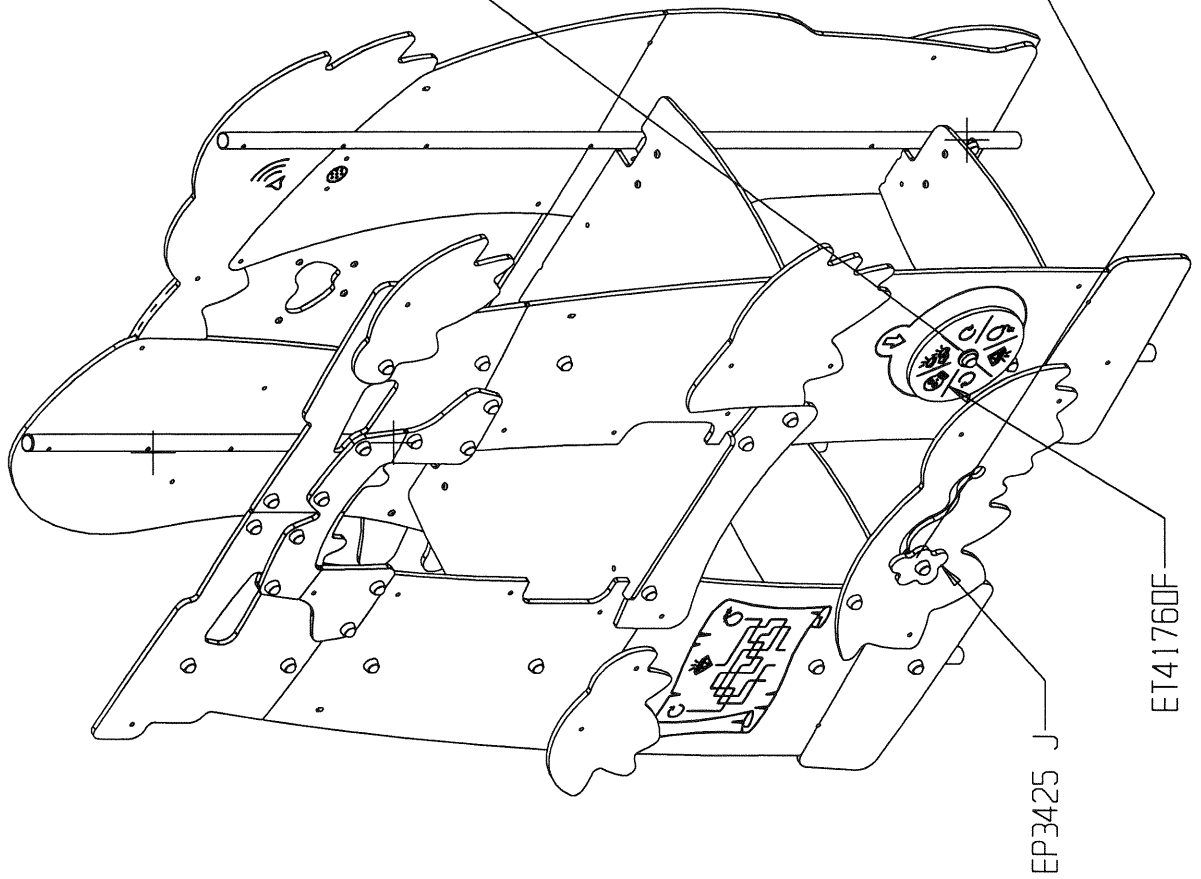
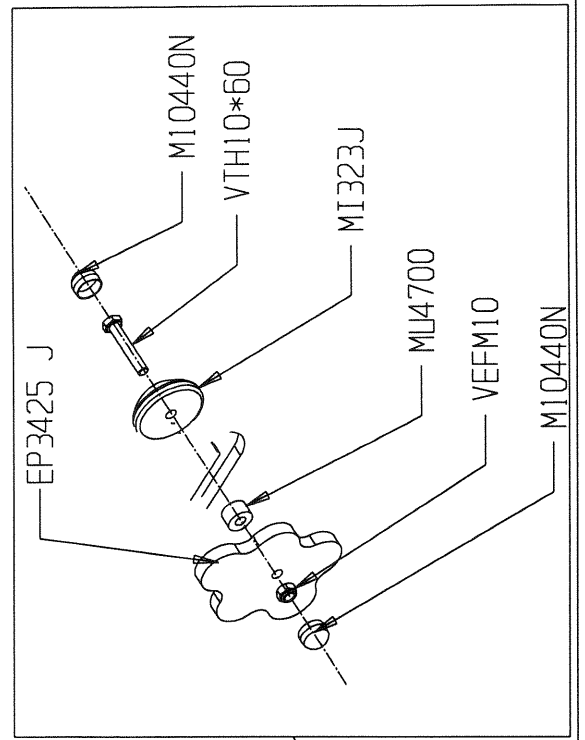
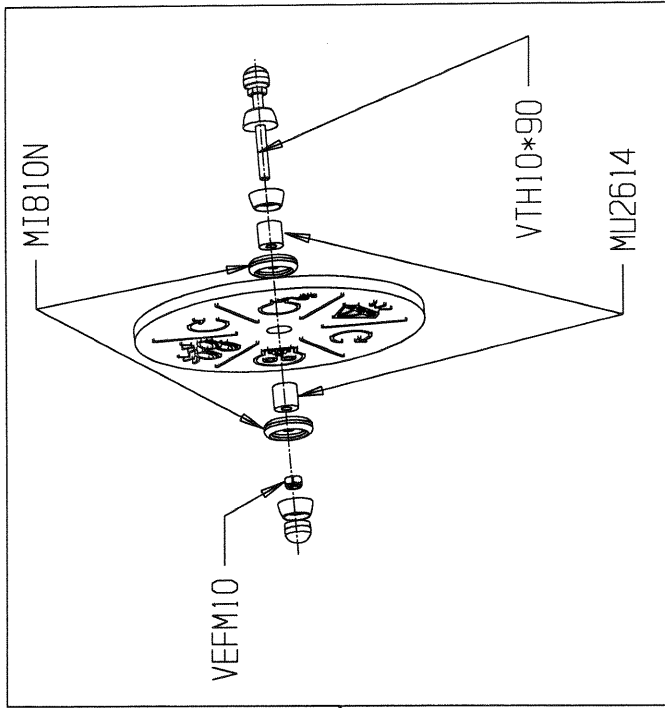
	VCBHCMI0*40I	8
	VTH 10x70	11
	MI2503N	11
	M10310N	19
	M10440N	30
	VEFM10	19
	70 mm	
	180° :P180	1

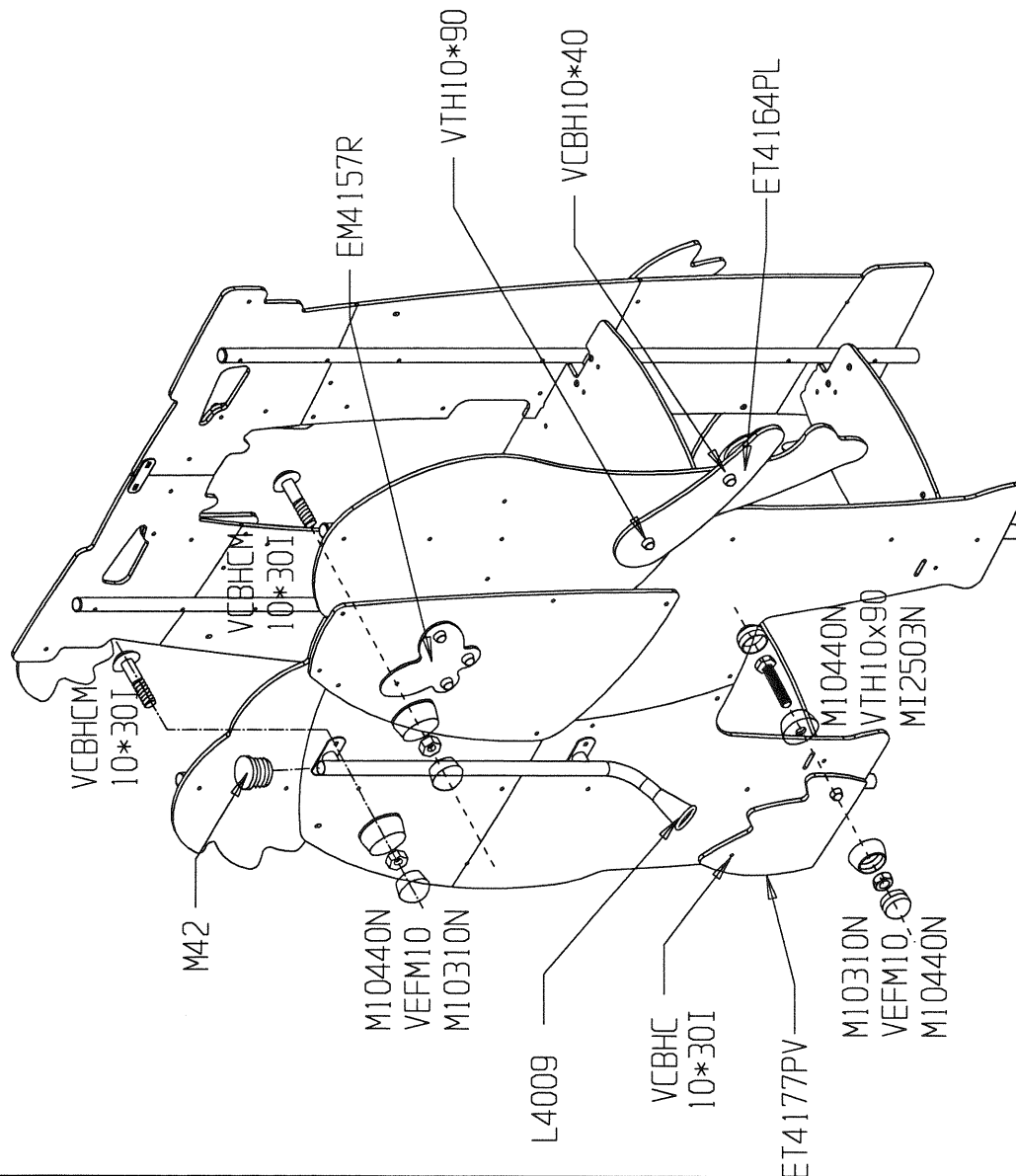
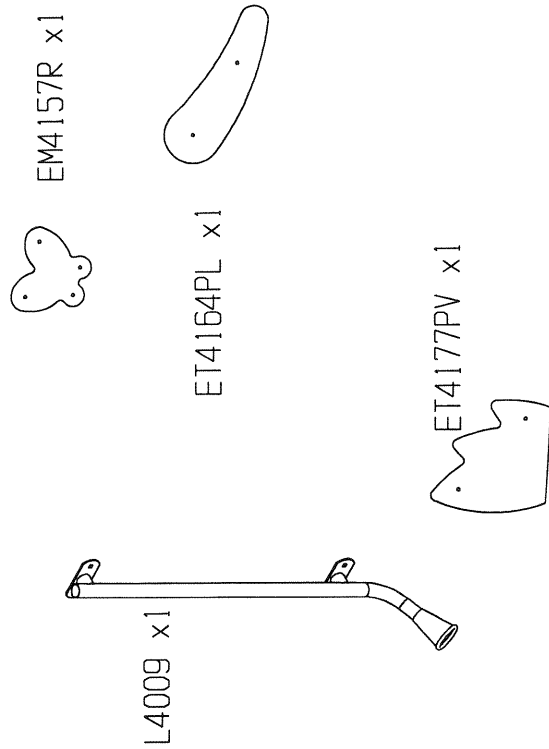


	70 mm :P13	4
	P180	1
	VCBHC M10*40	12
	VCBHC M10*30	8
	VTH 10x70	9
	MI2503N	9
	M10310N	29
	M10440N	37
	VEFM10	29

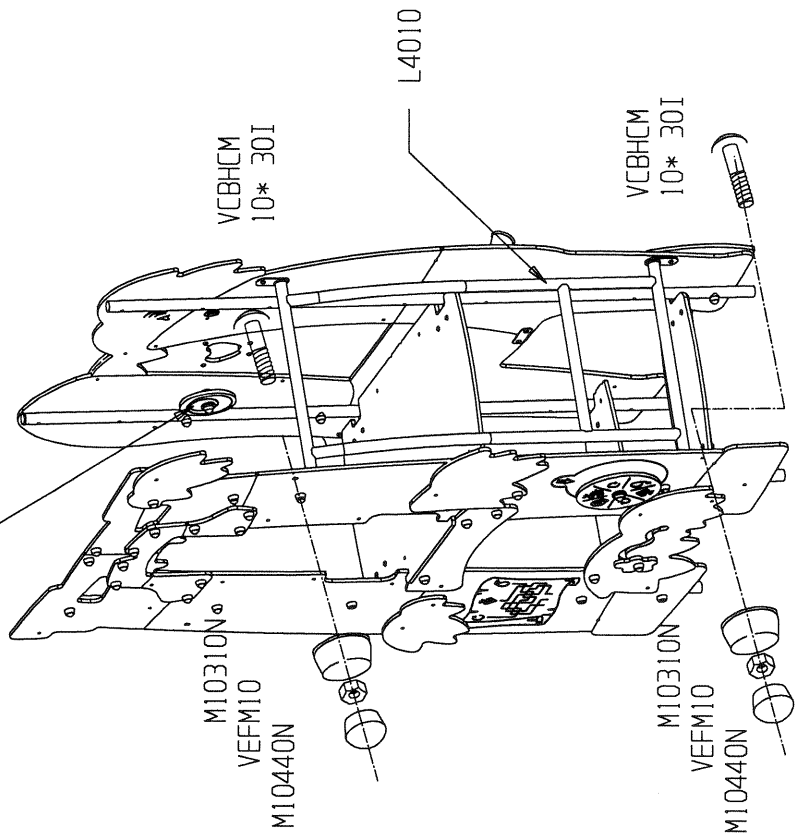
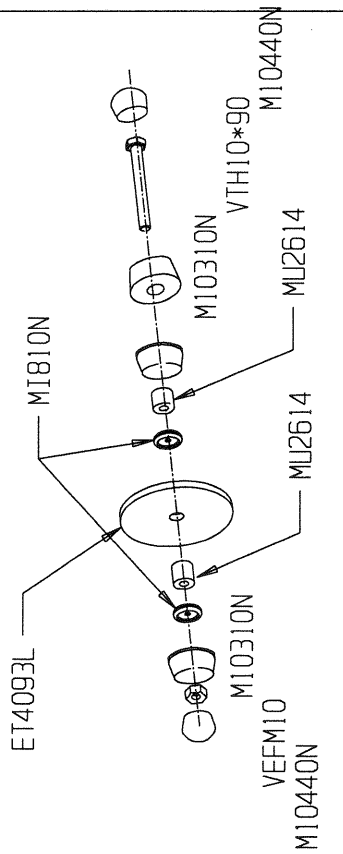
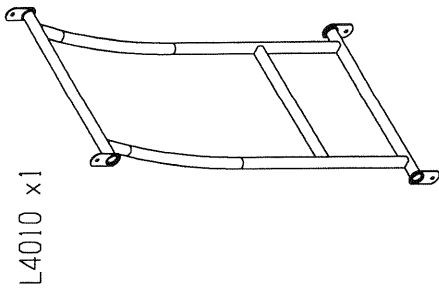




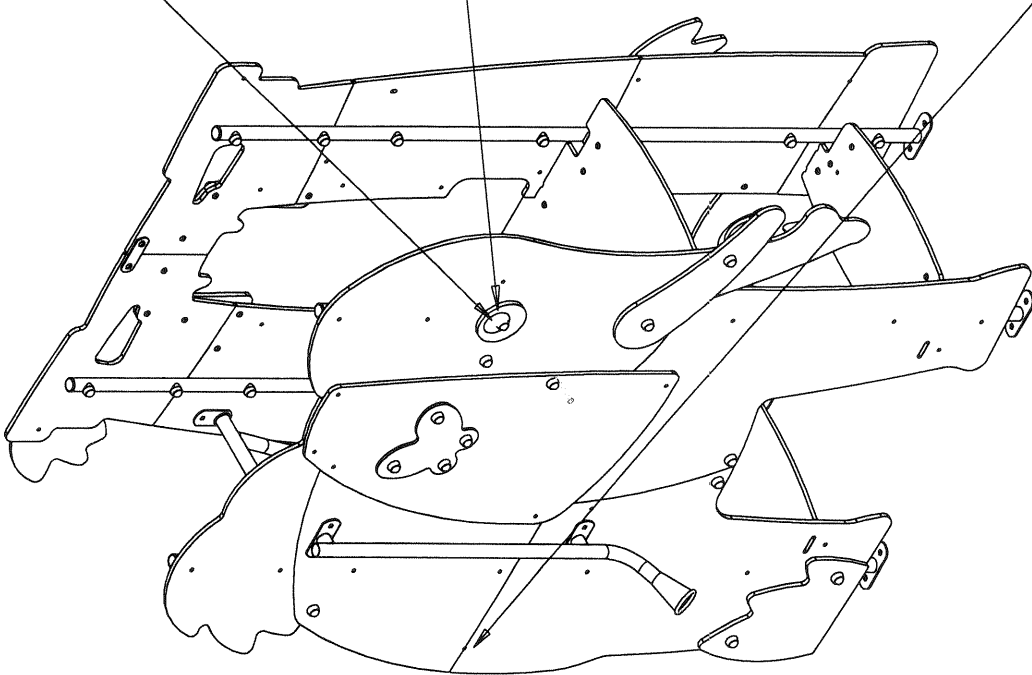
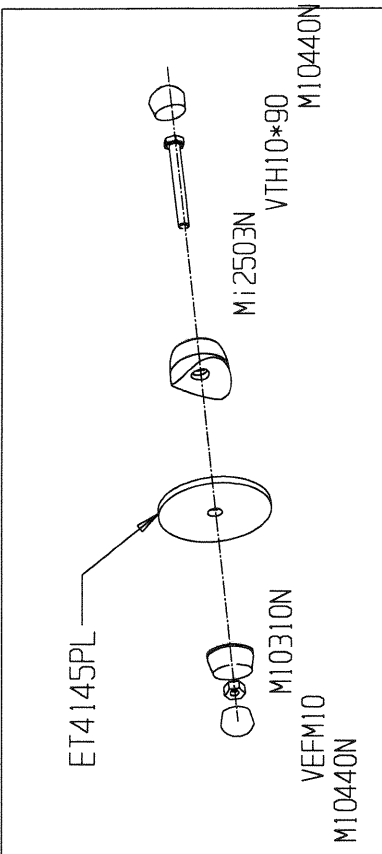




	VTH 10x90	2
	MI2503N	2
	M42	1
	VCBHC10*30I	10
	VEFM10	12
	M10310N	12
	M10440N	14

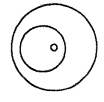





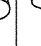
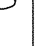
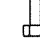
	MJ2614	2
	MI810N	2
	VEFM10	5
	M10310N	8
	M10440N	6
	VCBHCM10x30I	4
	VTH 10x90	1

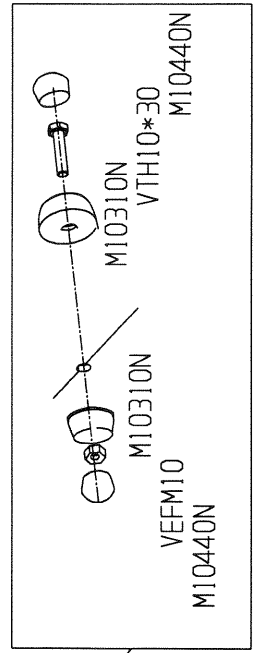


ET4145PL

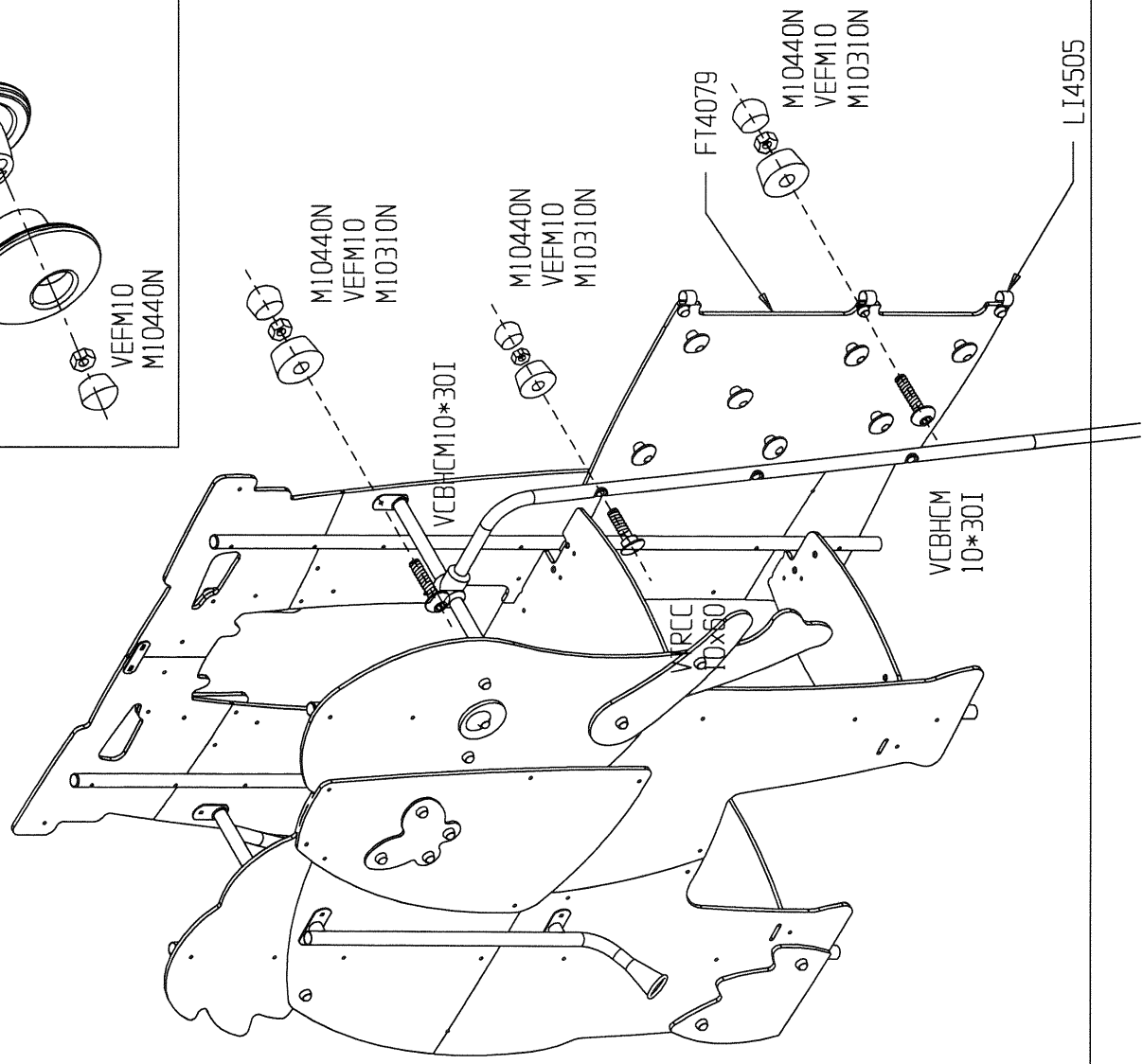
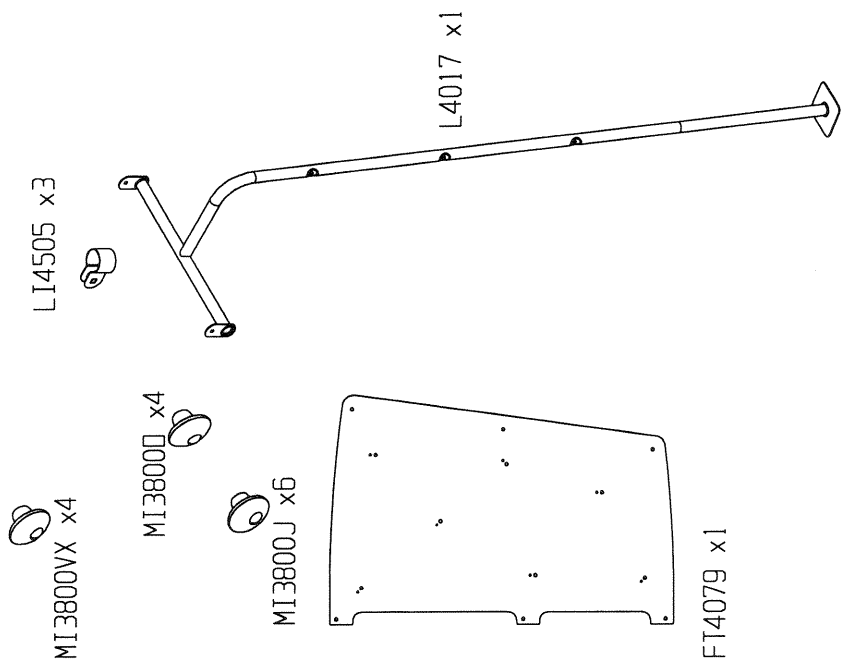
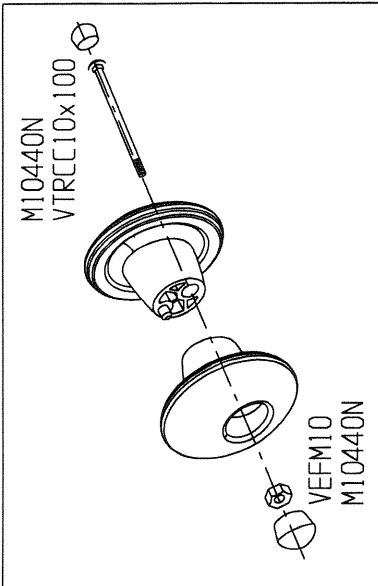
ET4145PL x1



	VTH_10x30	1
	VEFM10	2
	M10310N	3
	M10440N	4
	VTH_10x90	1
	M12503N	1







	VEFM10	15
	M10310N	7
	M10440N	22
	VCBHCM10x30I	5
	VCBHCM6x25I	4
	VEBMB	4
	VTRCC10x100	7
	VTRCC10x60	3



MI2502N X 2

