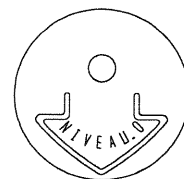


LA000



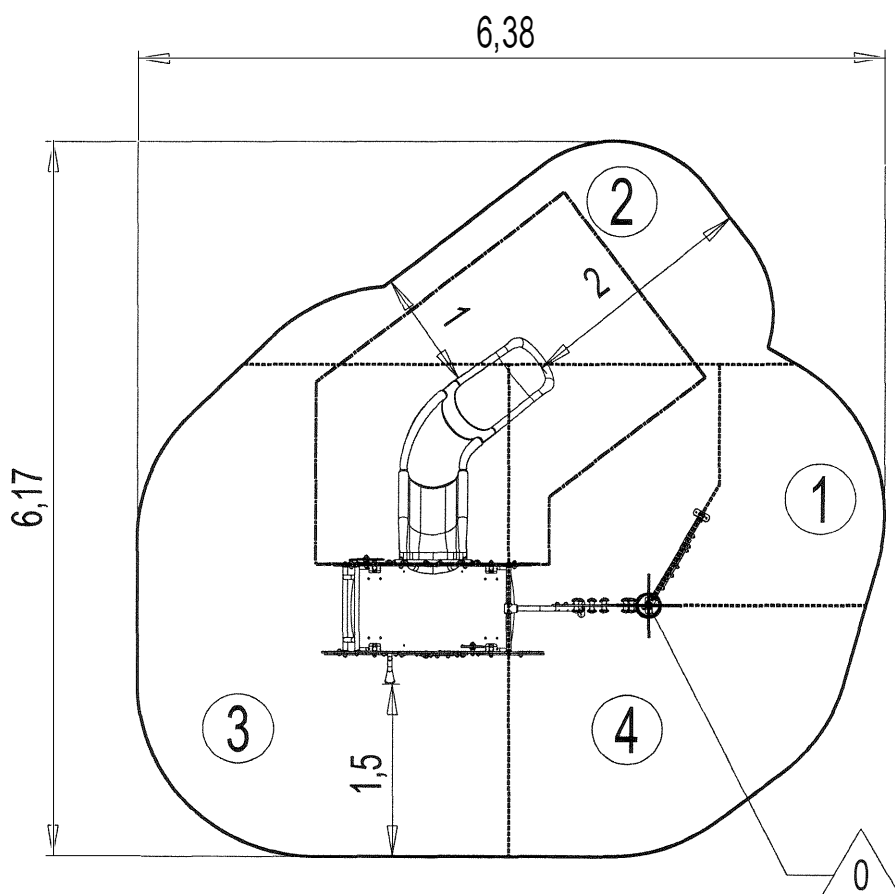
MI0002

N°		
①	0.6 m	3 m <sup>2</sup>
②	1 m	5.5 m <sup>2</sup>
③	1.17 m	12.5 m <sup>2</sup>
④	1.8 m	9 m <sup>2</sup>

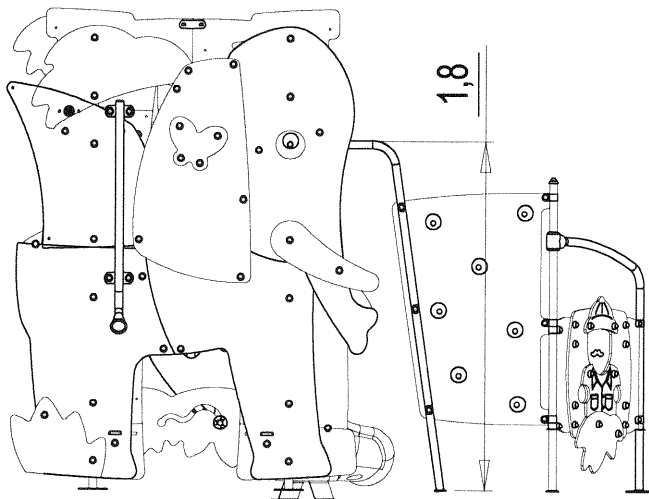
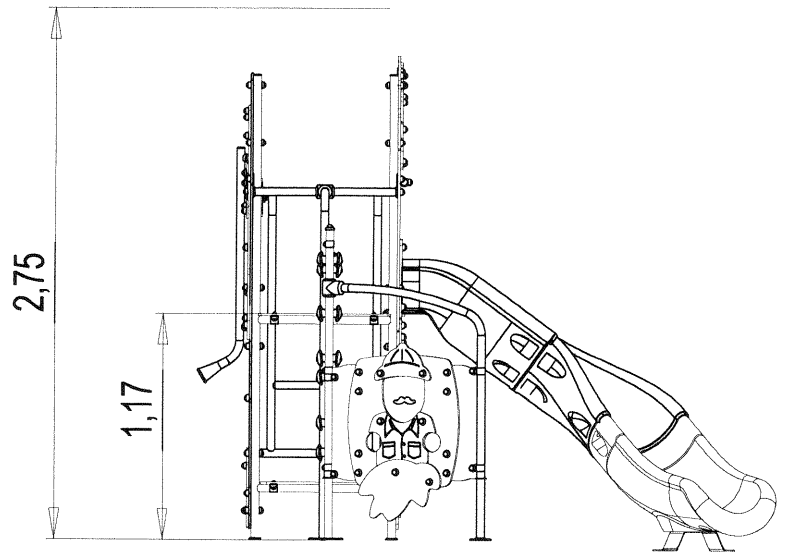
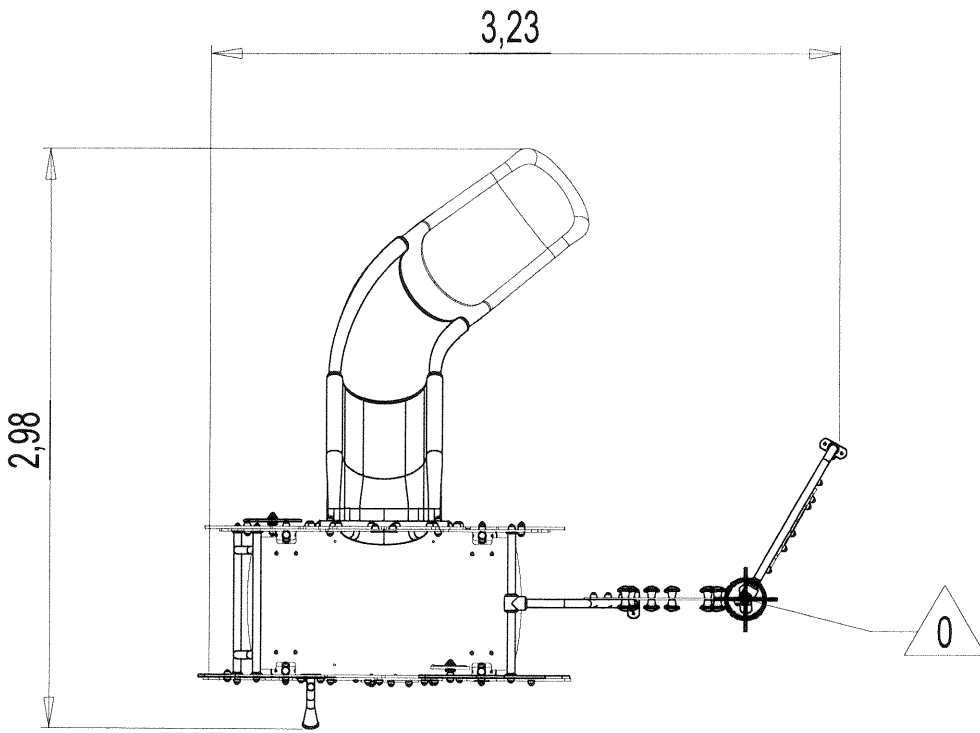
Zone d'Impact  
 Impact Area  
 Area de Impacto  
 Fallraum  
 Valzone

EN 1176-1 : 2017  
 EN 1176-3 : 2017

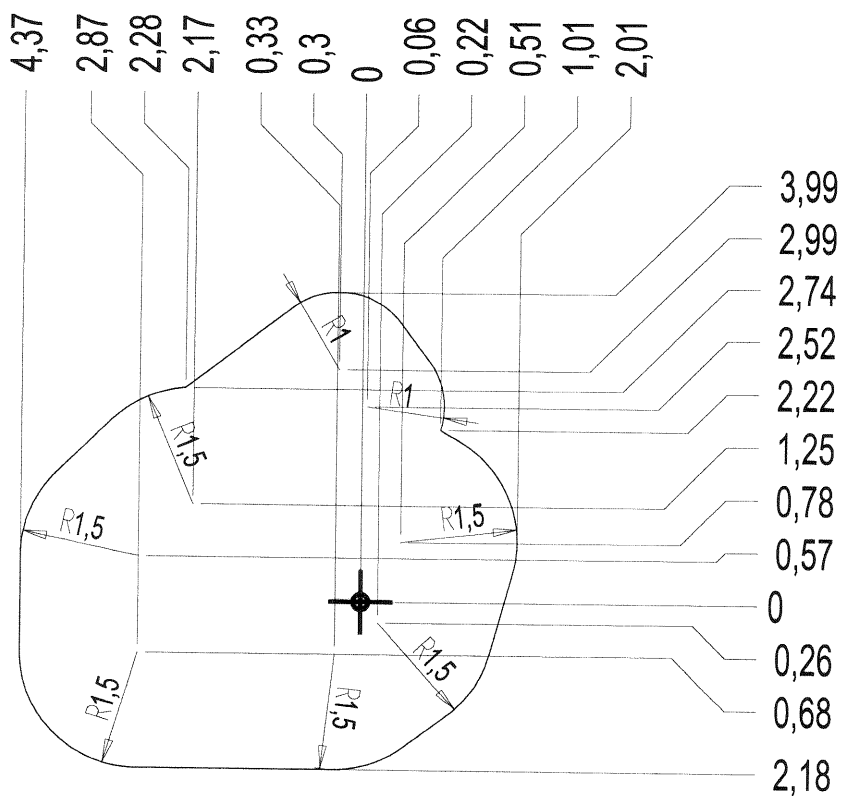
Espace libre  
 Free Space  
 Espacio Libre  
 Freiraum  
 Vrije ruimte



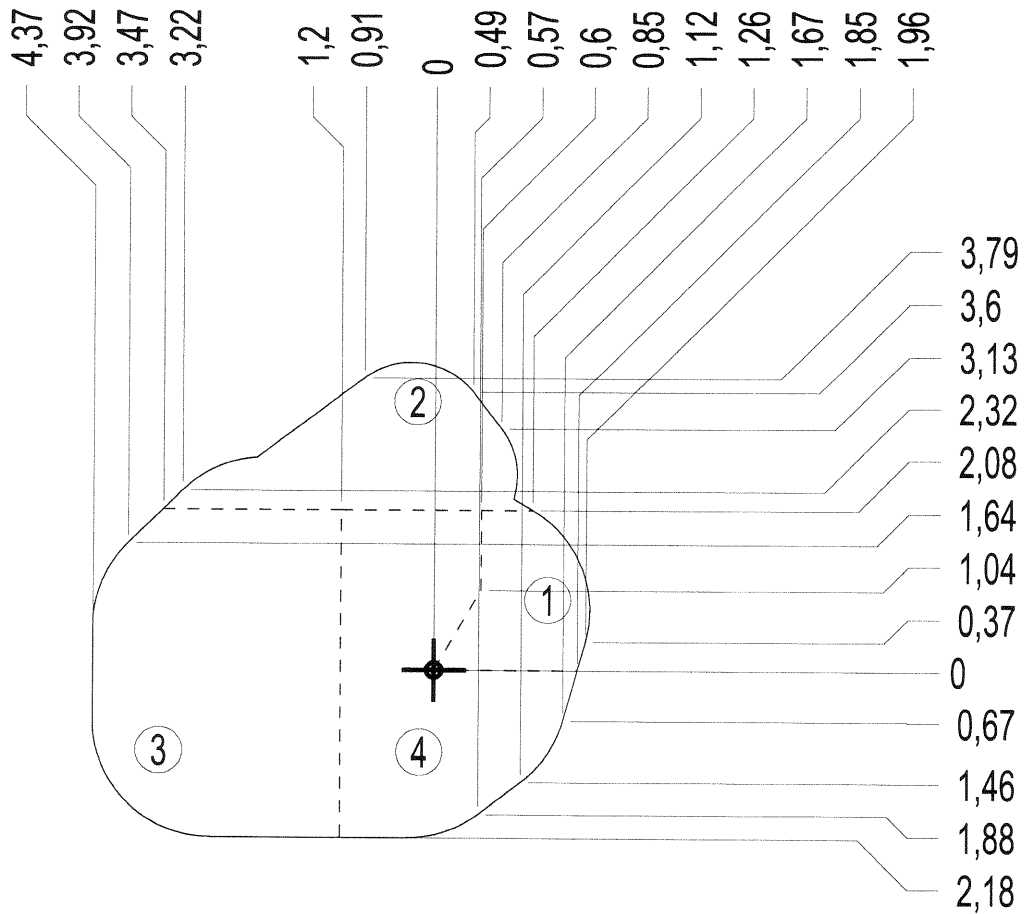
Point de Référence  
 Setting Out Point  
 Punto de referencia  
 Bezugspunkt  
 Referentiepunt



— Zone d' Impact 30 m<sup>2</sup>  
 Impact Area  
 Area de Impacto  
 Fallraum  
 Valzone

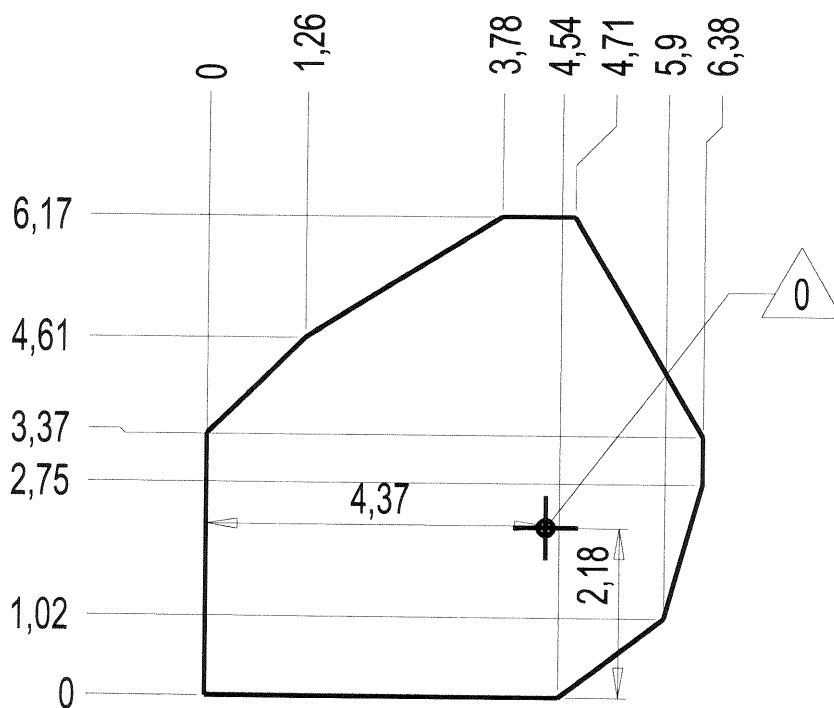


- Sol souple 30 m<sup>2</sup>
- Wetpour
- Caucho Continuo
- Synthetischer Fallschutz
- Gietvloer



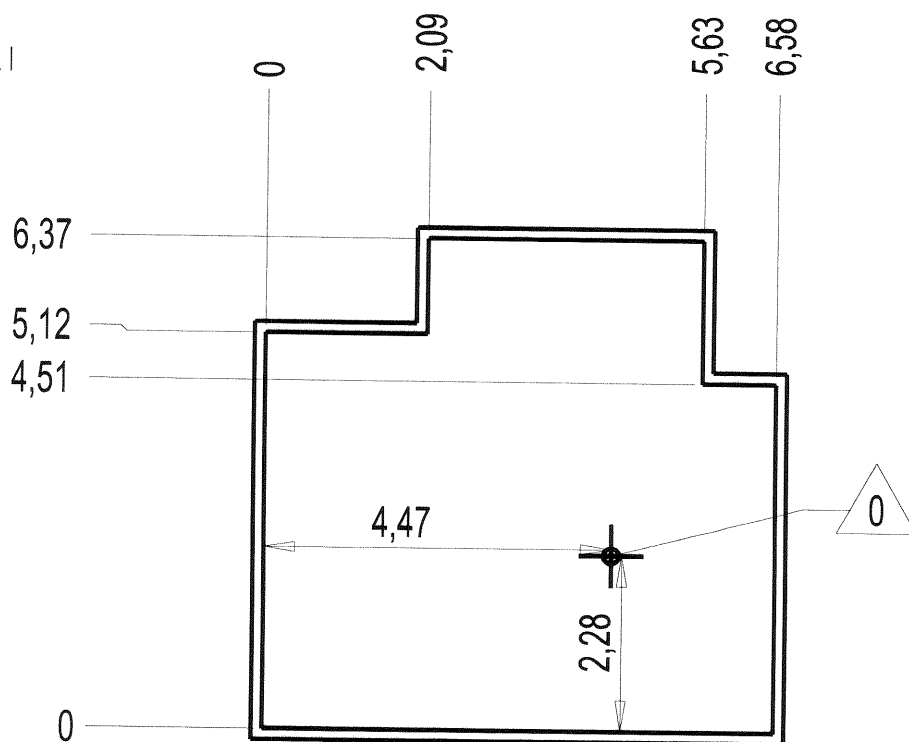
- Dalle béton
- Concrete pad
- Solera de Hormigón
- Beton Bodenplatte
- Betonnen bodenplaat

21 m  
31 m<sup>2</sup>

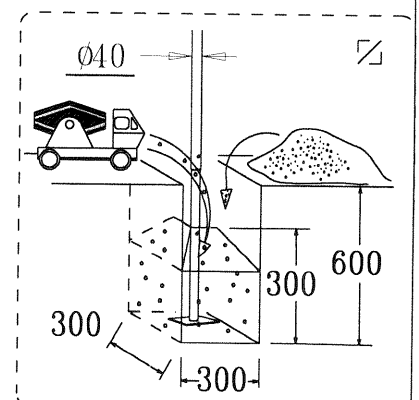
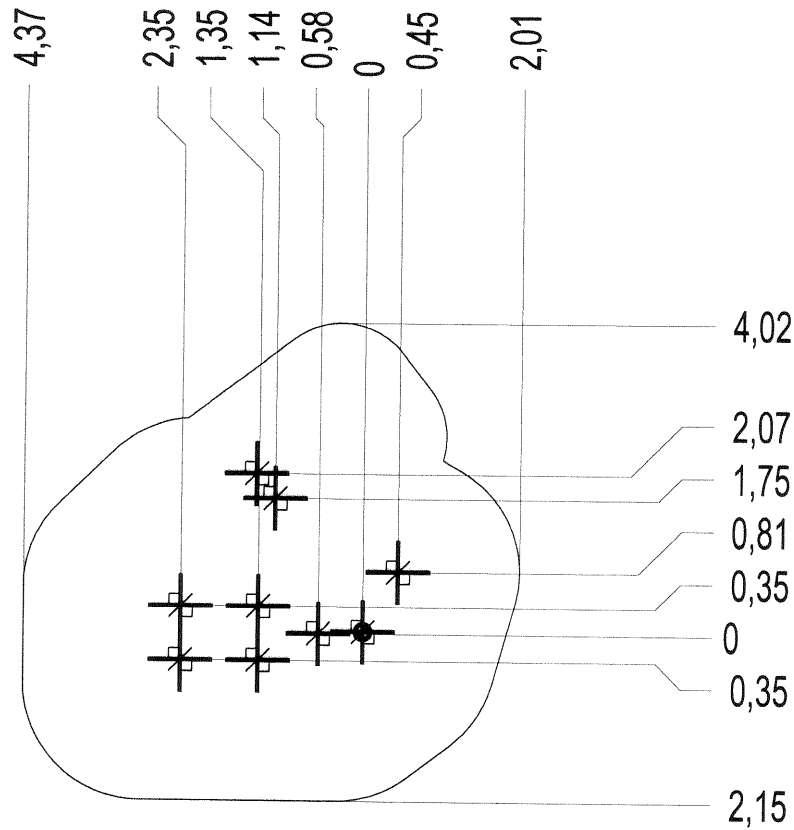





- Sol fluent
- Loose particle material
- Arenero
- Loses Bodenmaterial
- Los bodenmaterial

27 m  
38 m<sup>2</sup>



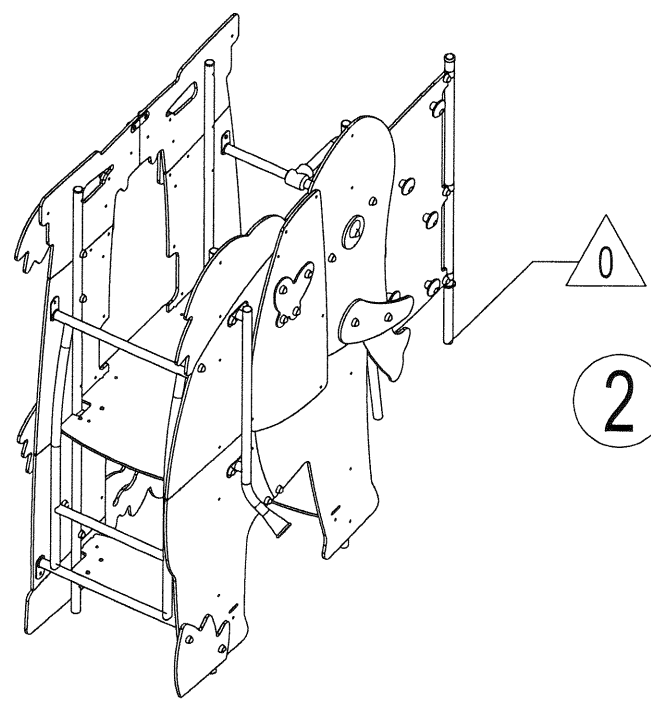
Implantation  
 Footing plan  
 Implantación  
 Fundamentplan  
 Funderingstekening



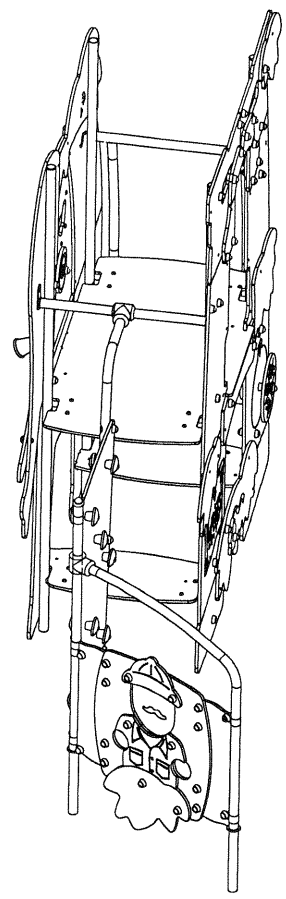
 x2	 6H	 0.3m <sup>3</sup>
---	--	---



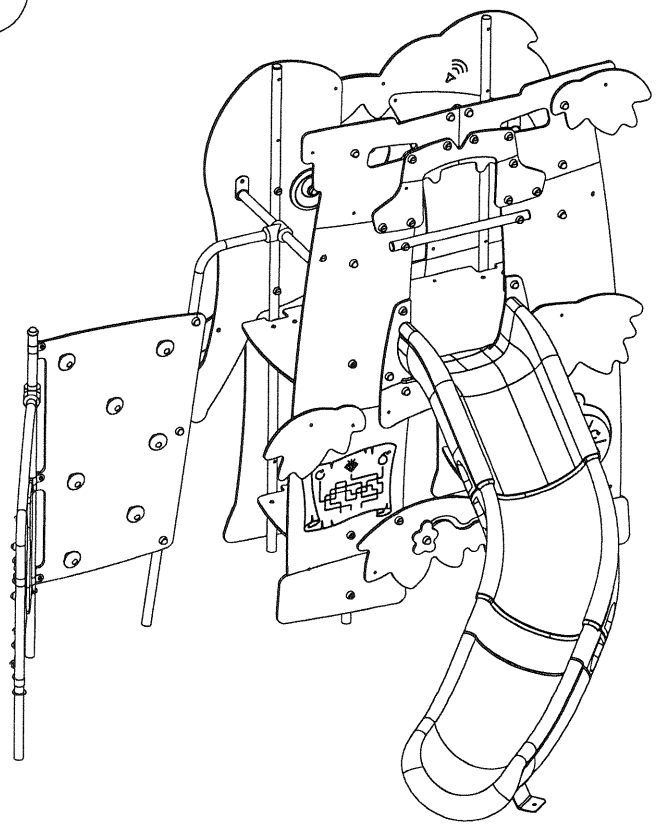
1

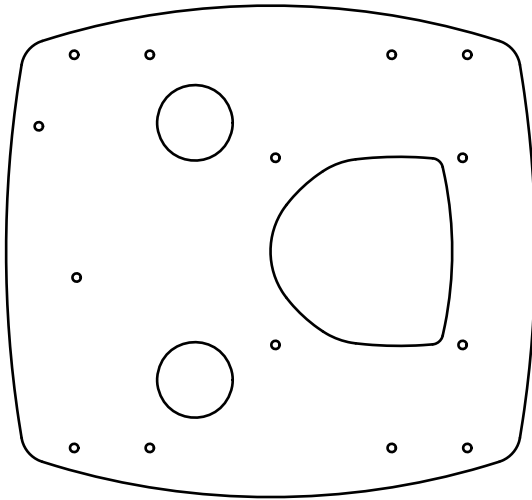
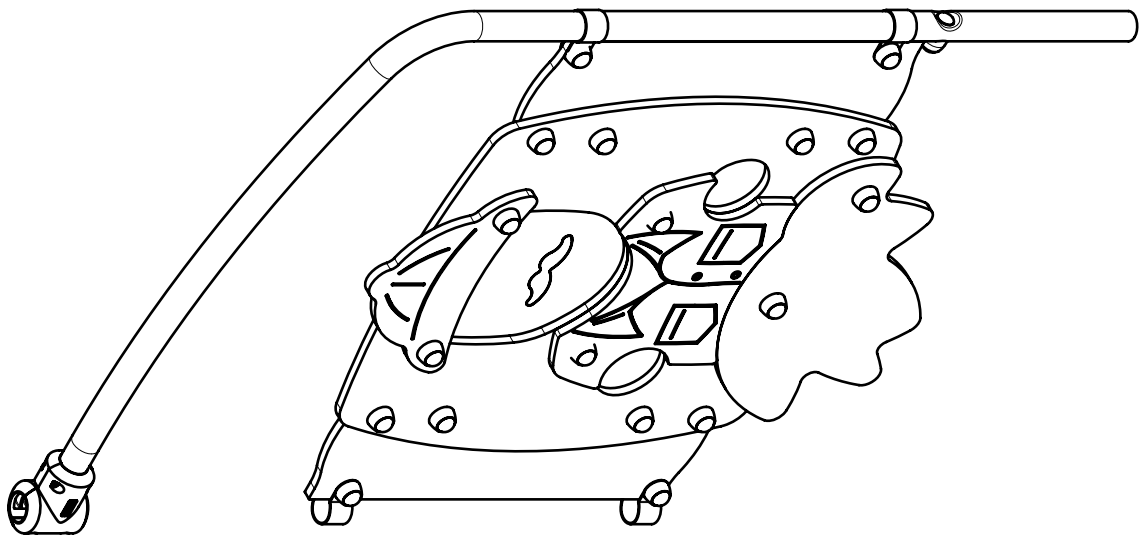


2

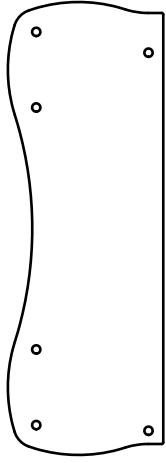


3

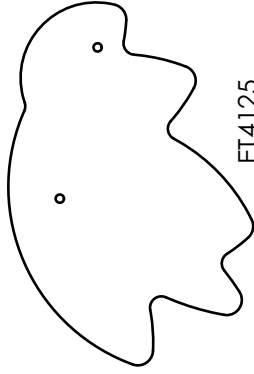




ET4126

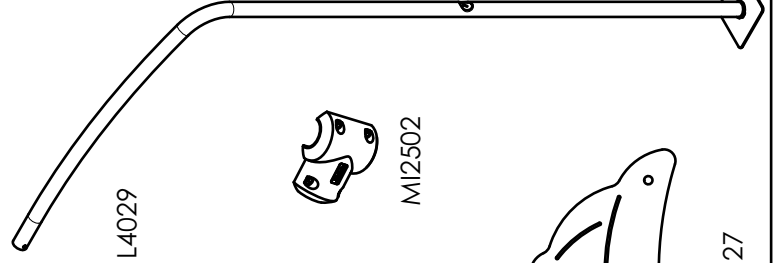


ET3406



ET4125

Réf	Qté
ET3406PL	2
ET4125PV	1
ET4126PV	1
ET4127PL	1
ET4128PL	1
L4029	1
LI4505	4
M10310N	18
M10440N	19
M12502N	2
M12503N	1
U4007	1
VCBHCM10x30I	4
VCBHCM6x25I	4
VCBHCM10x50I	4
VCBHCM10x40I	10
VEBM6	4
VEFM10	19
VGC8x55I	1
VTRCC10x50	1



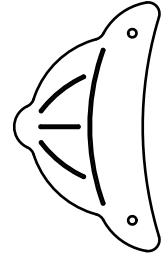
L4029



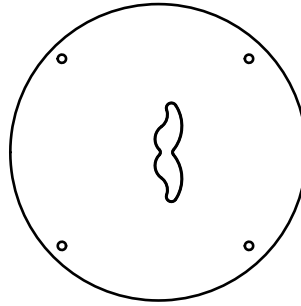
MI2502



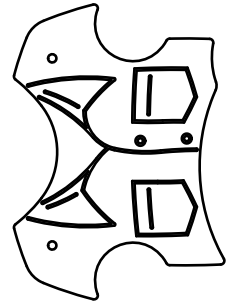
LI4505



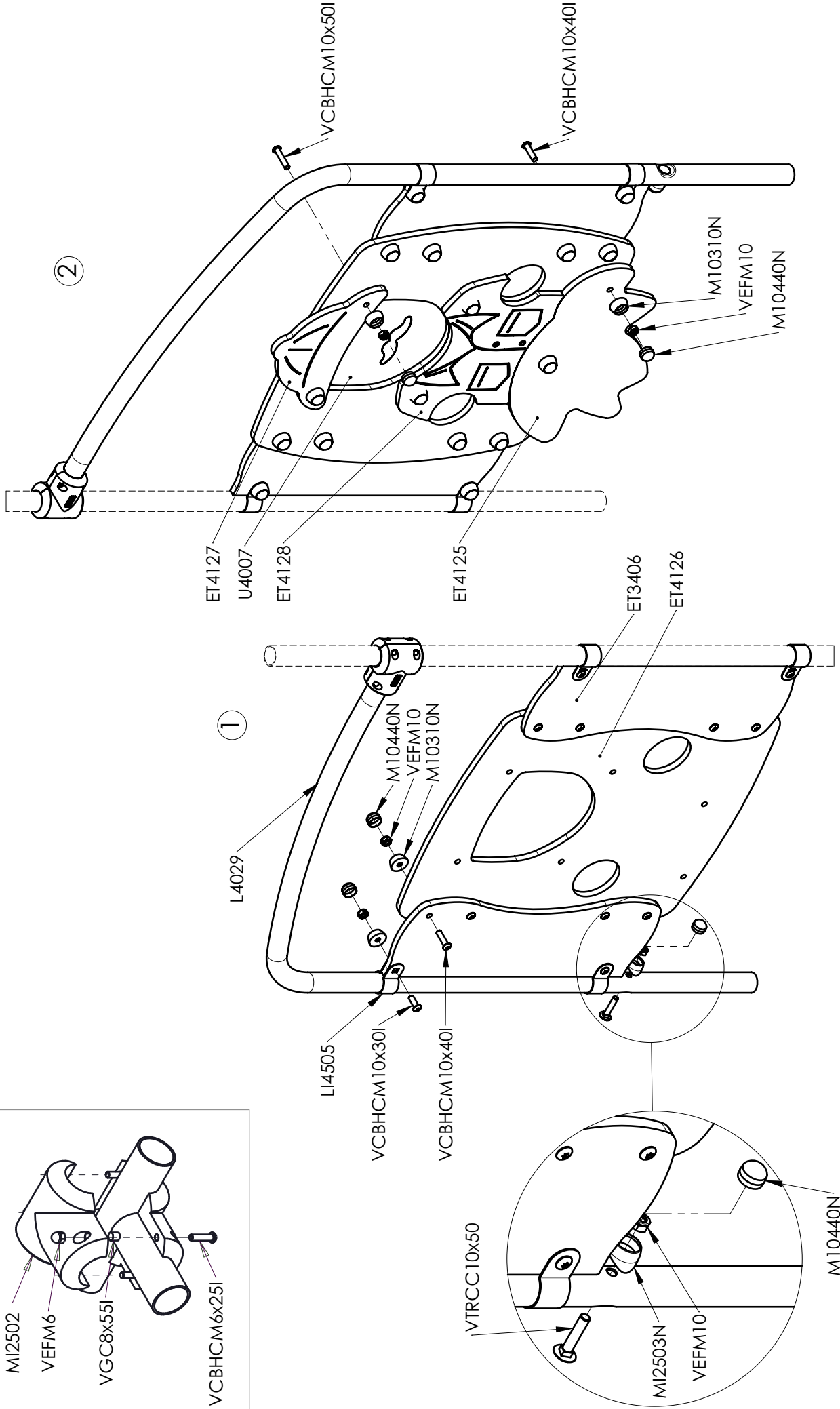
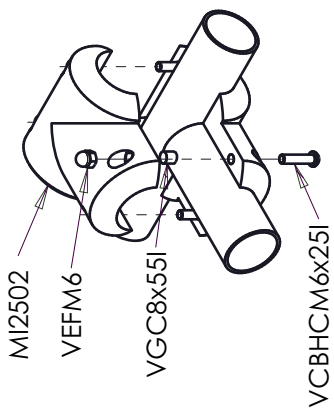
ET4127



SA4000



ET4128



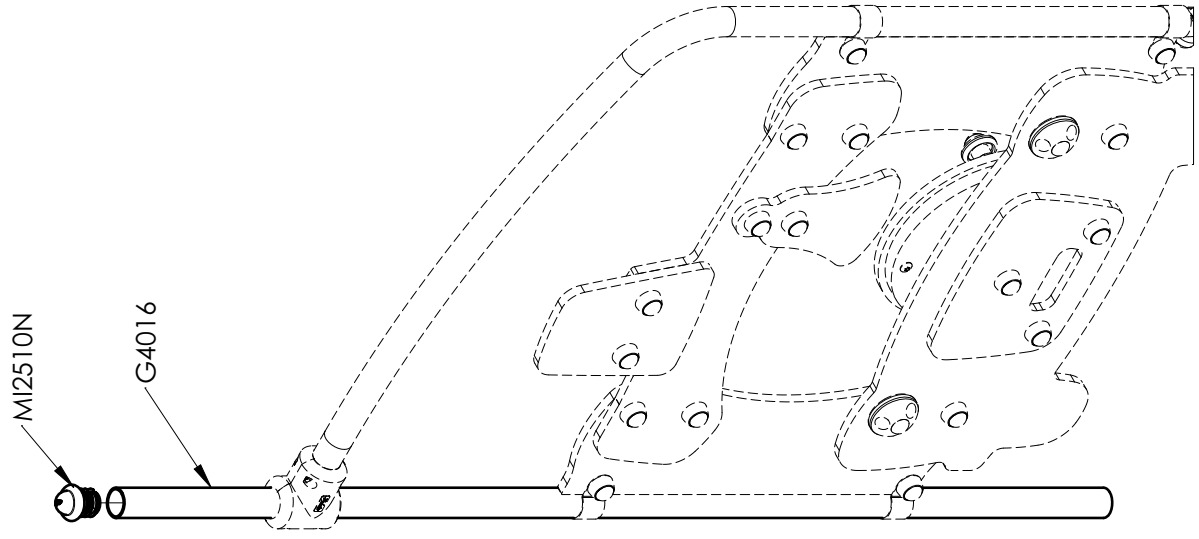
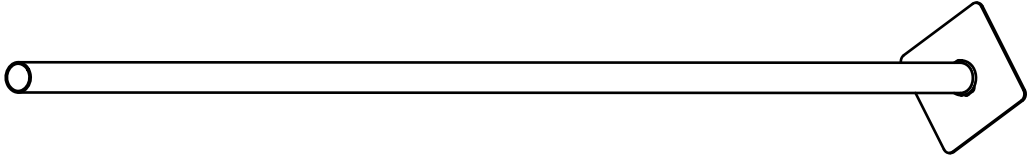
MI2510N

G4016

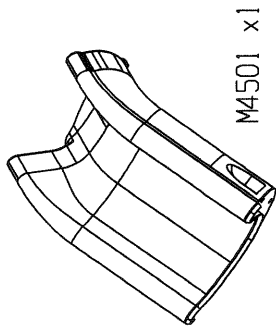
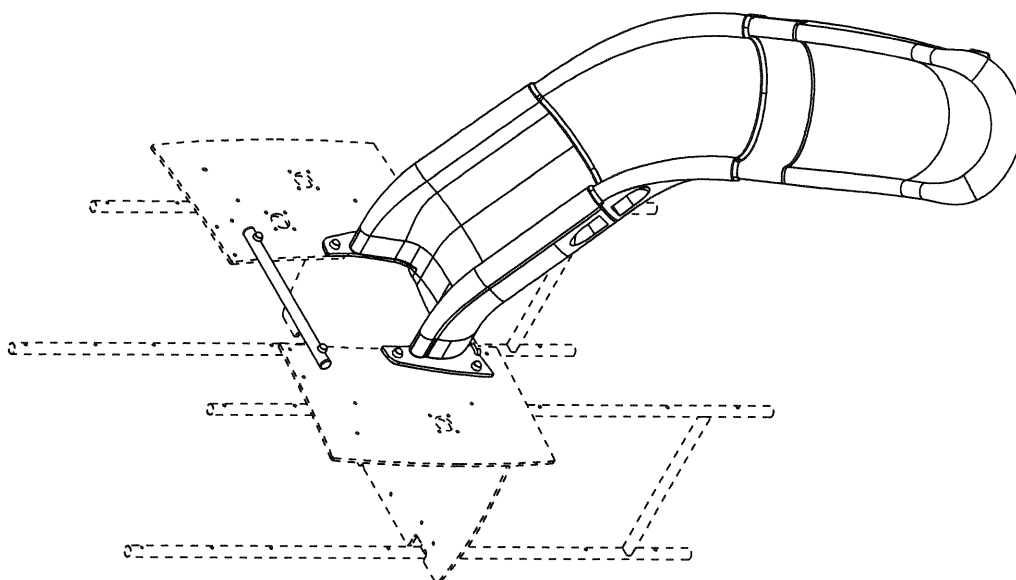
MI2510N



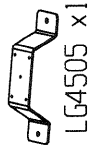
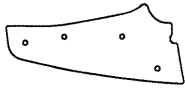
L4015



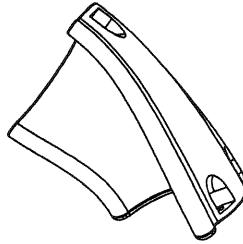
Réf	Qté
L4015	1
MI2510N	1



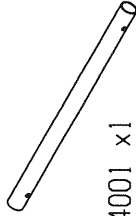
ET4076PL x2



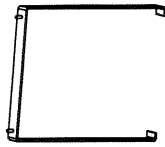
M4504 x1



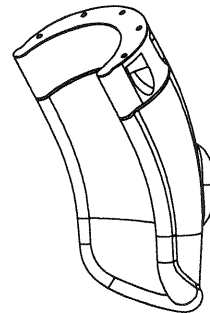
LG4001 x1



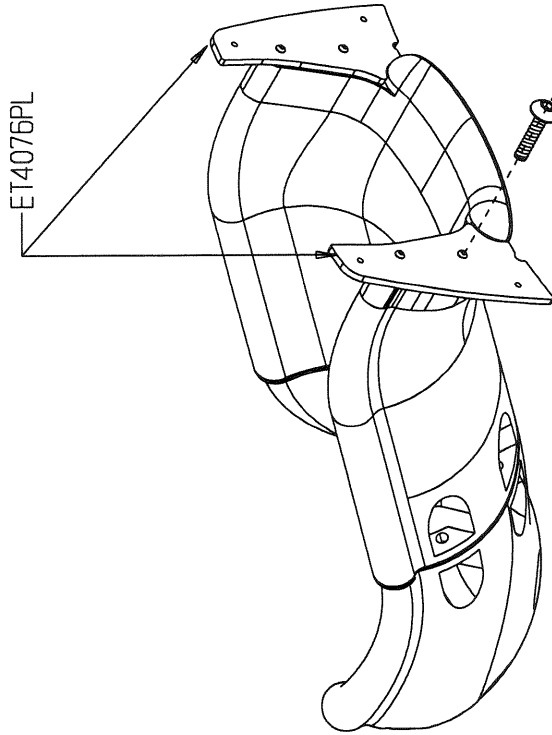
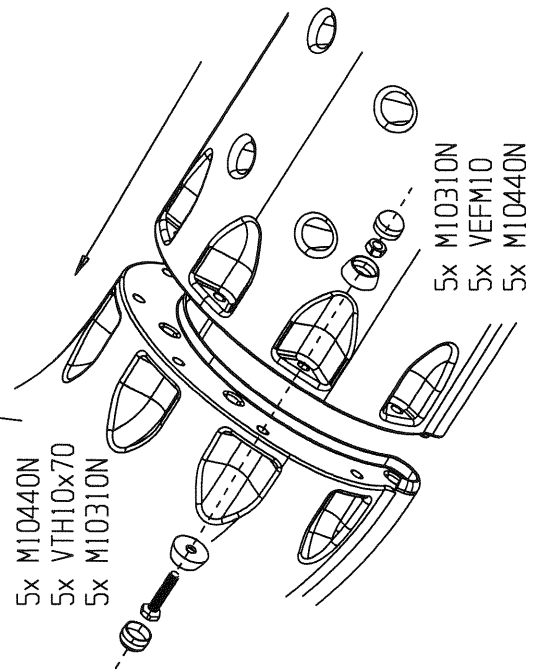
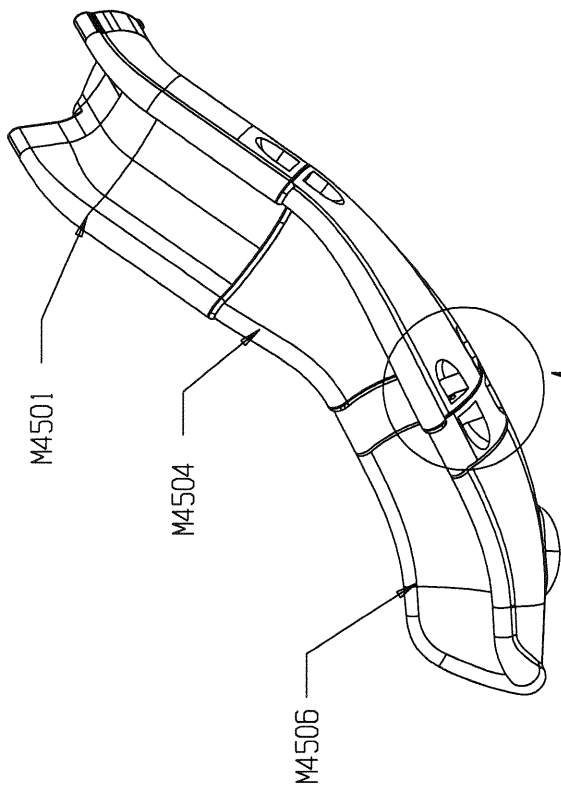
LZ311 x1



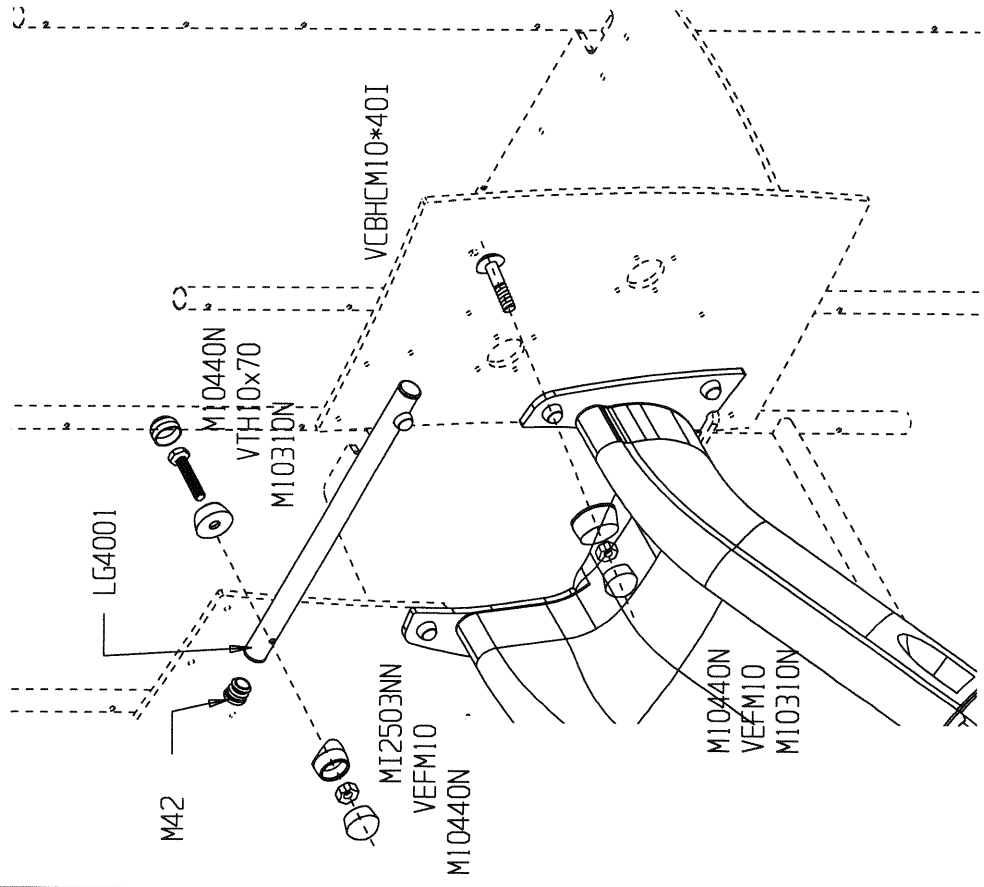
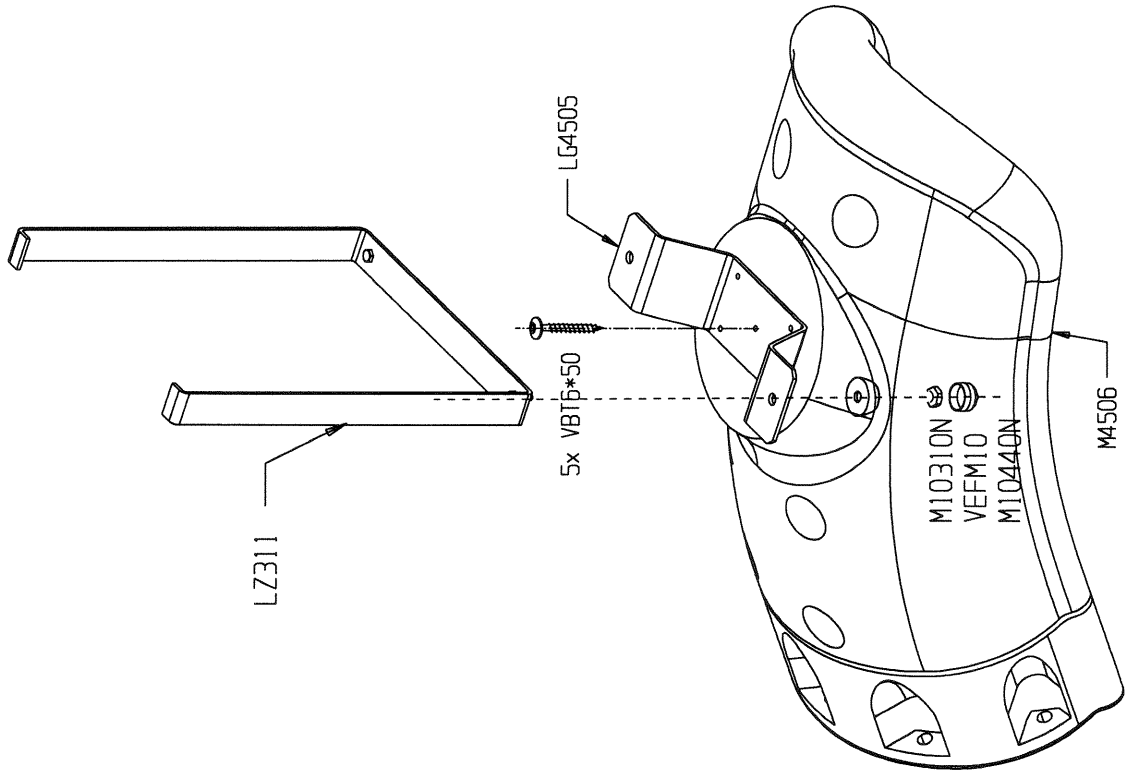
M4506 x1

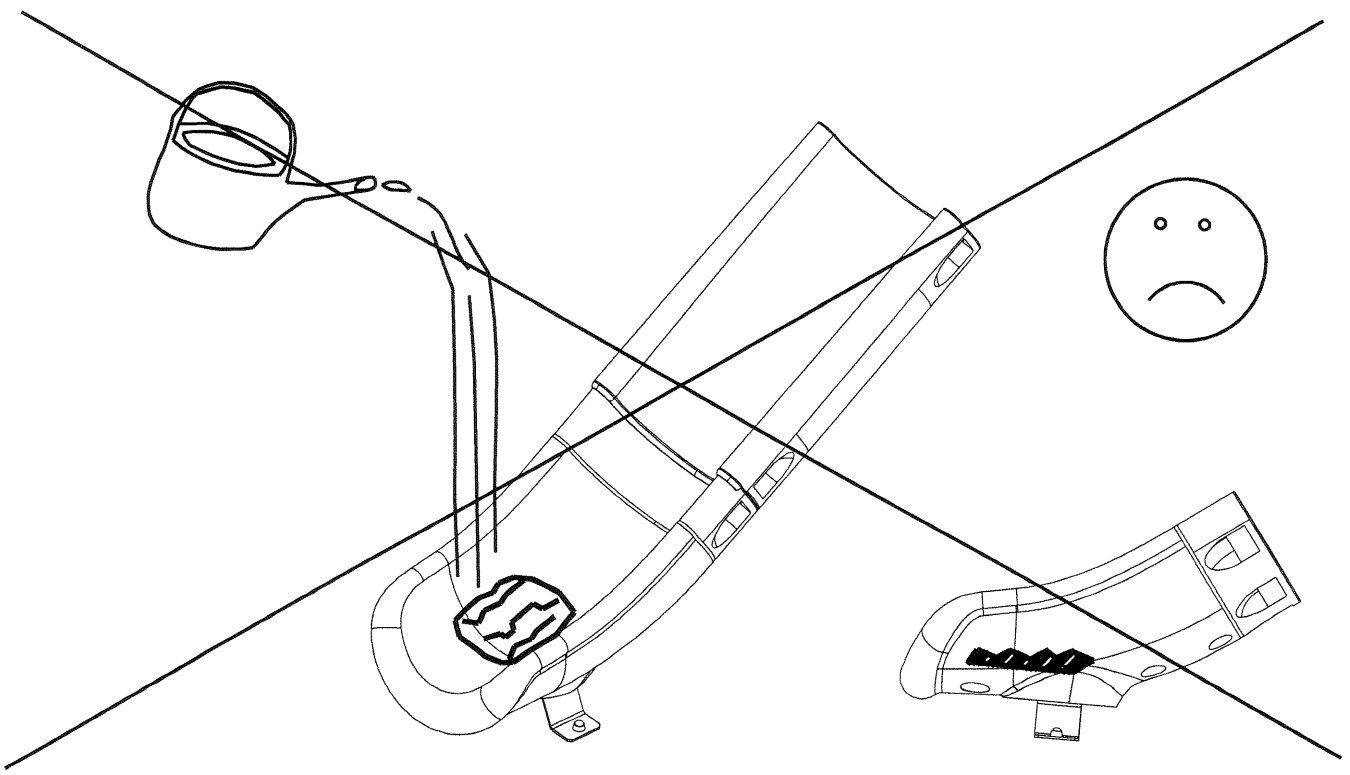
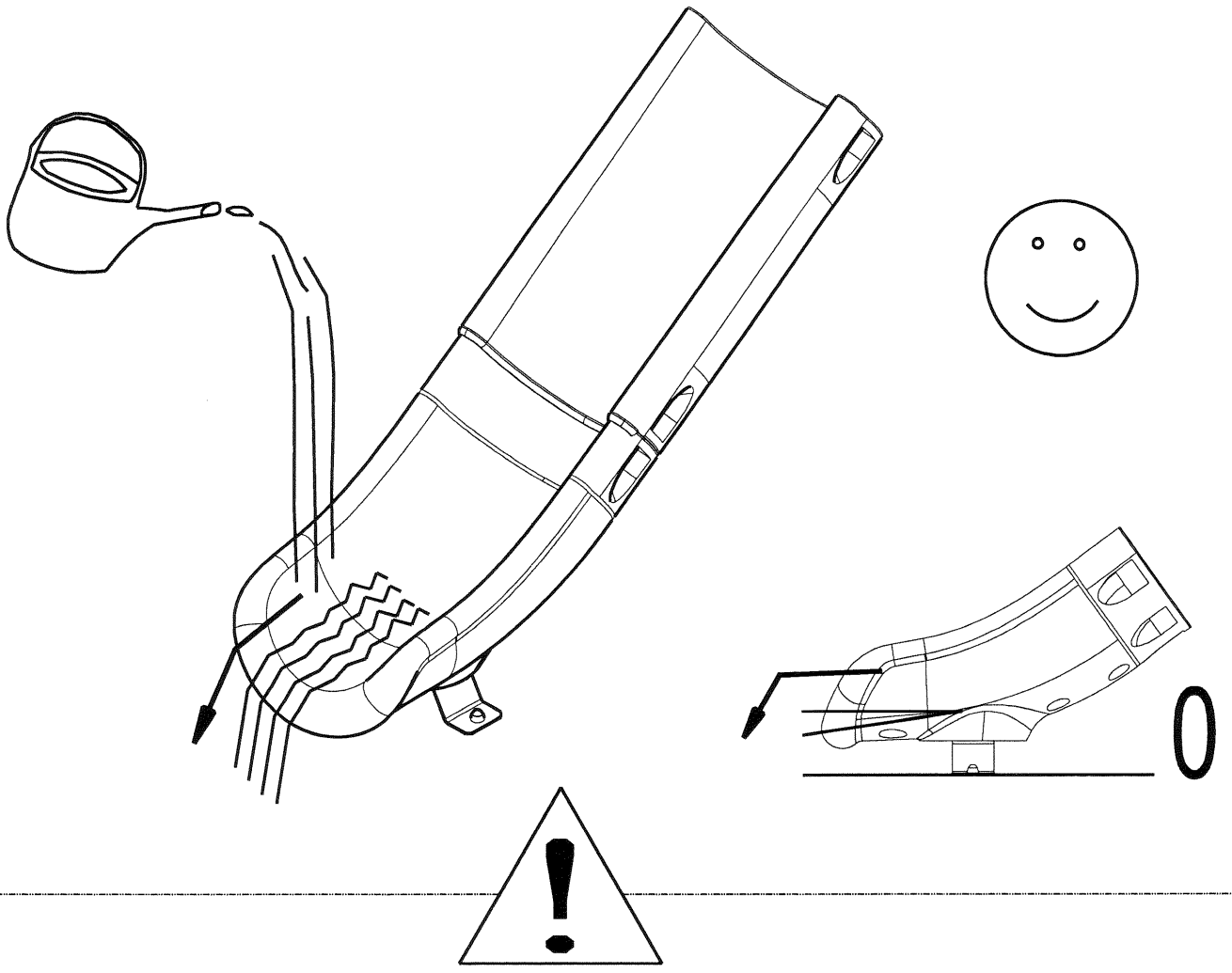


	VCBHC10*40I	8
	M10310N	28
	M10440N	30
	VEFM10	20
	VTH 10x70	12
	MI2503N	2
	M42	2
	VBT6*50	5

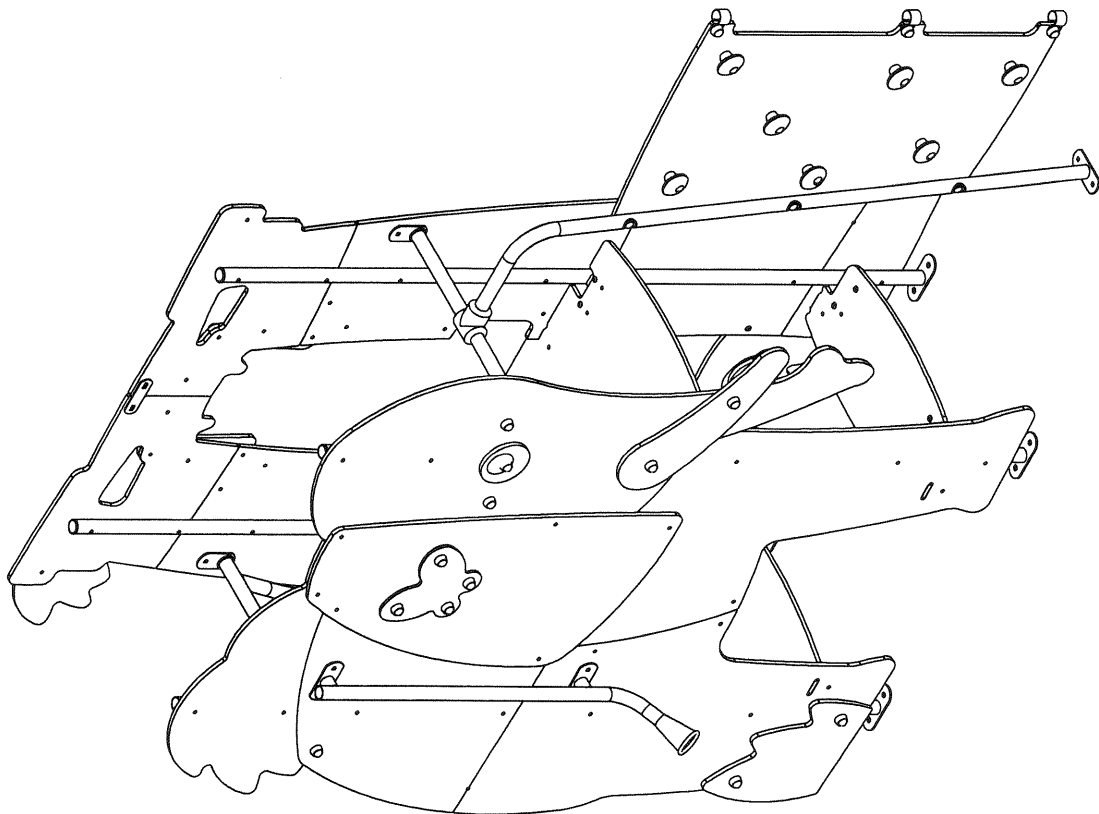
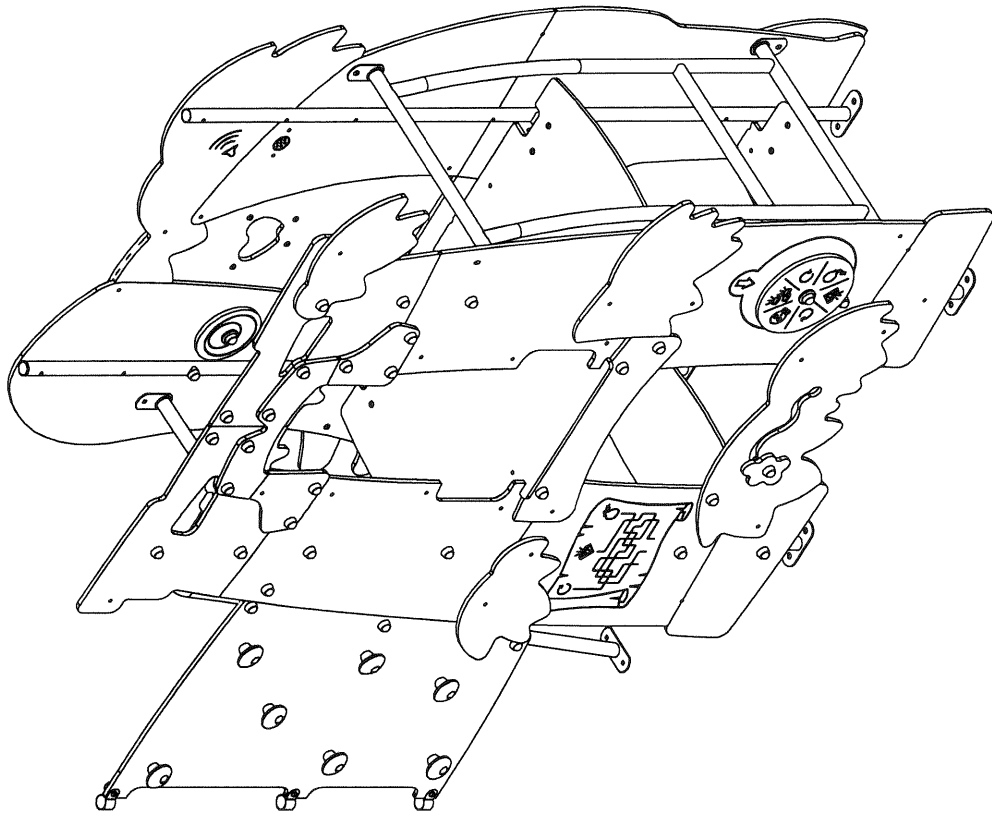


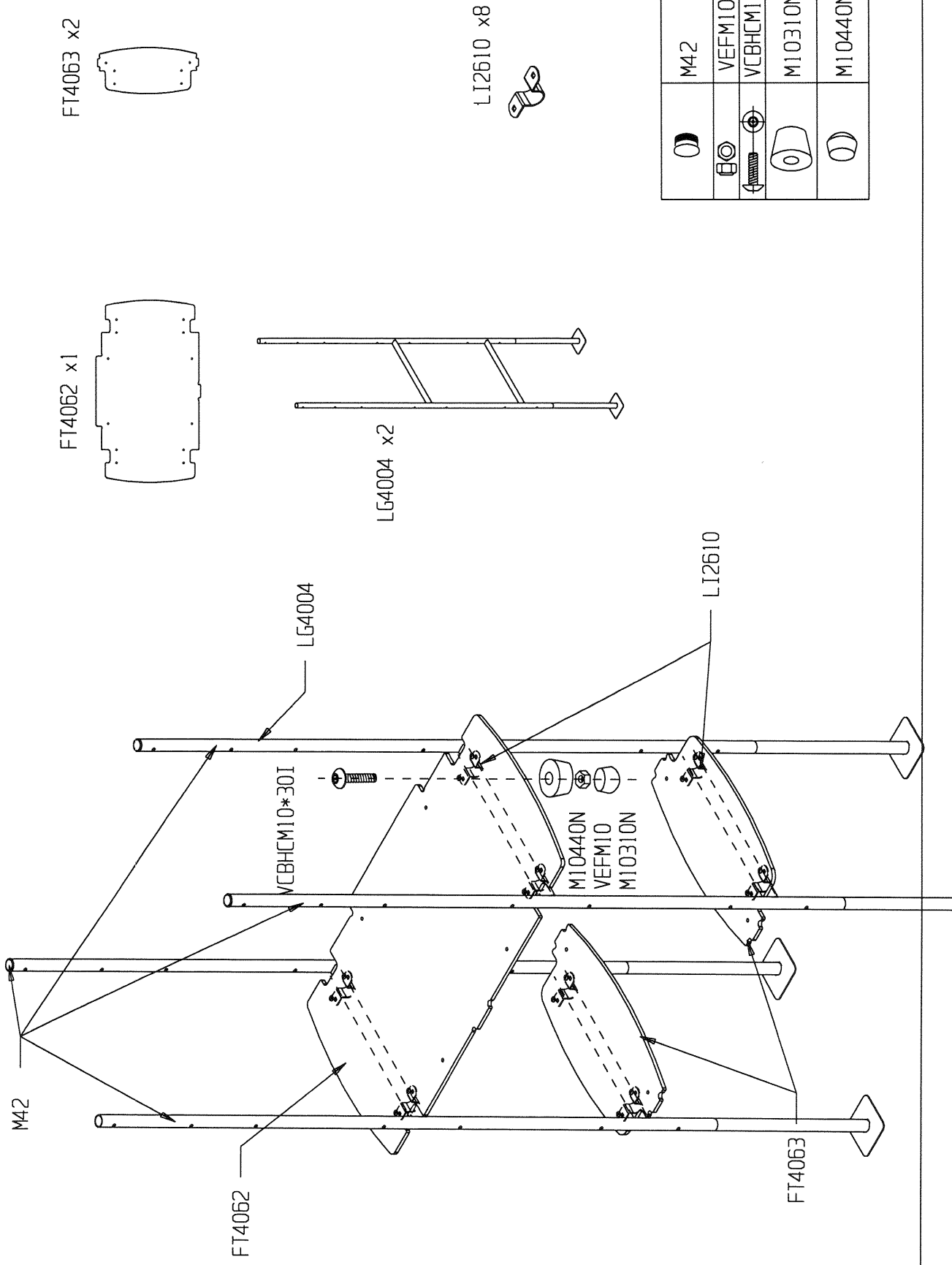
4xVCBHC  
M10\*40I



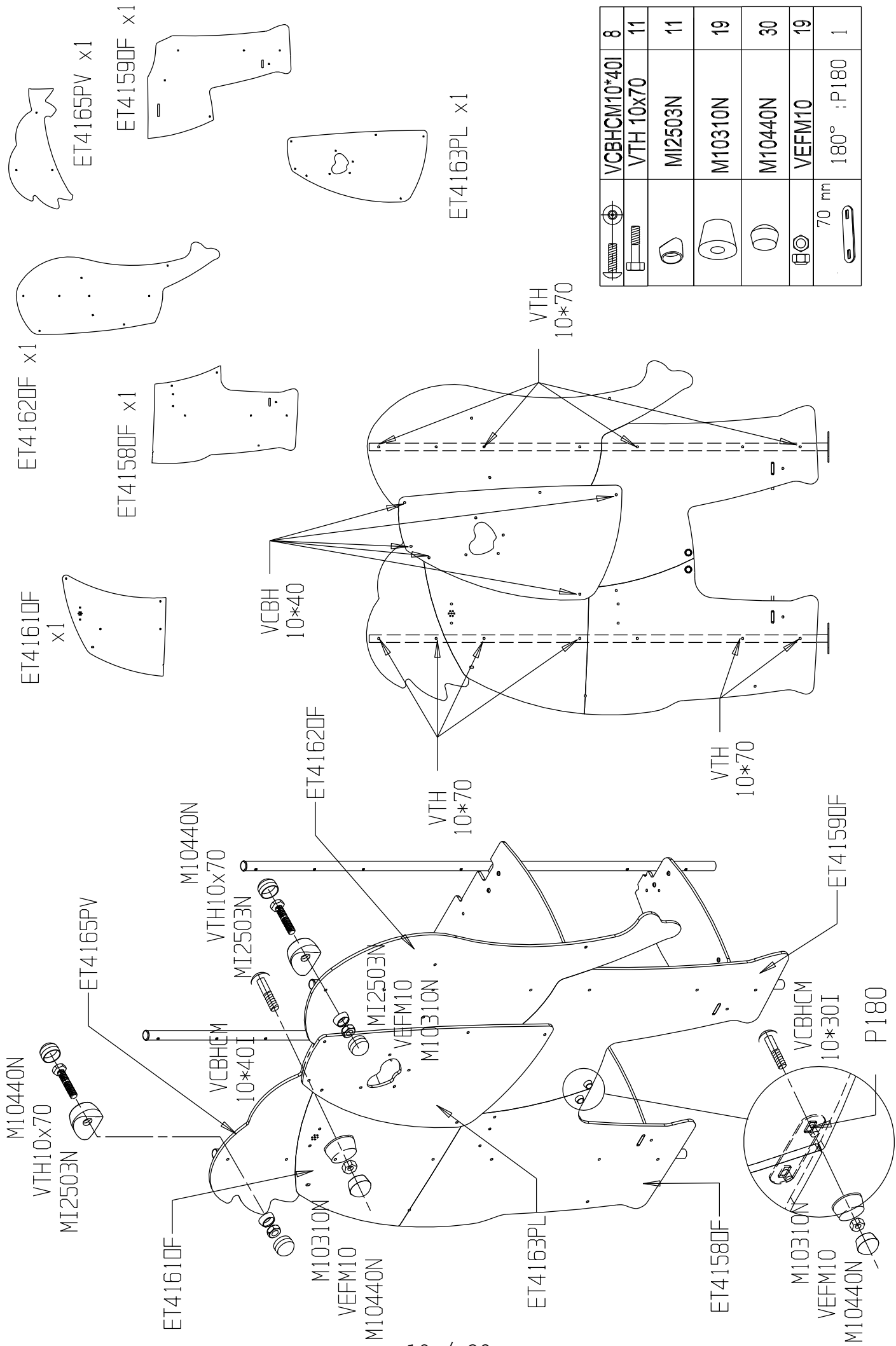




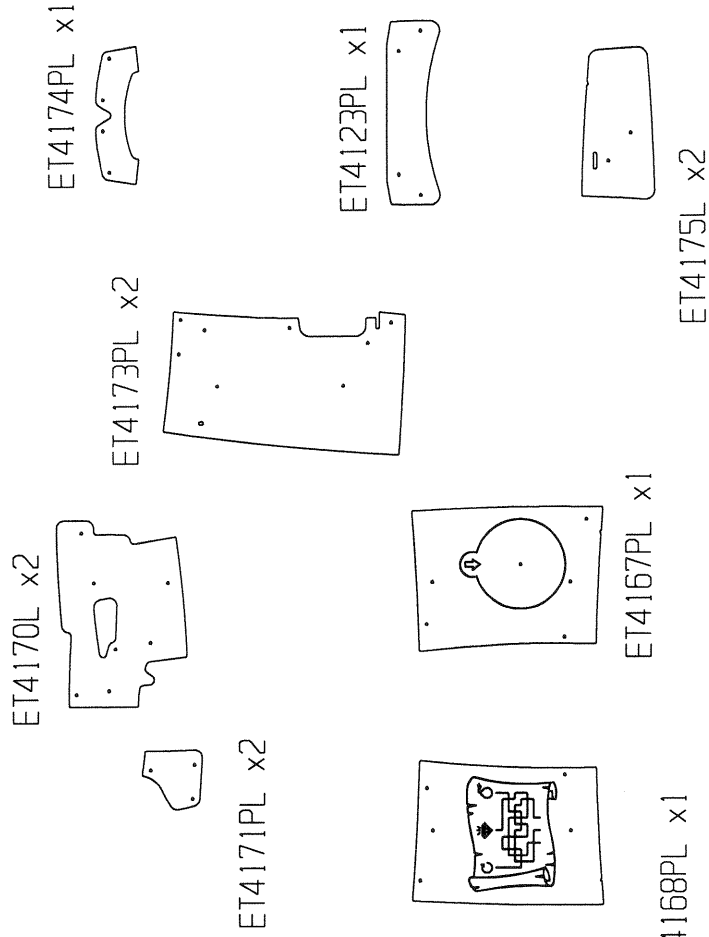
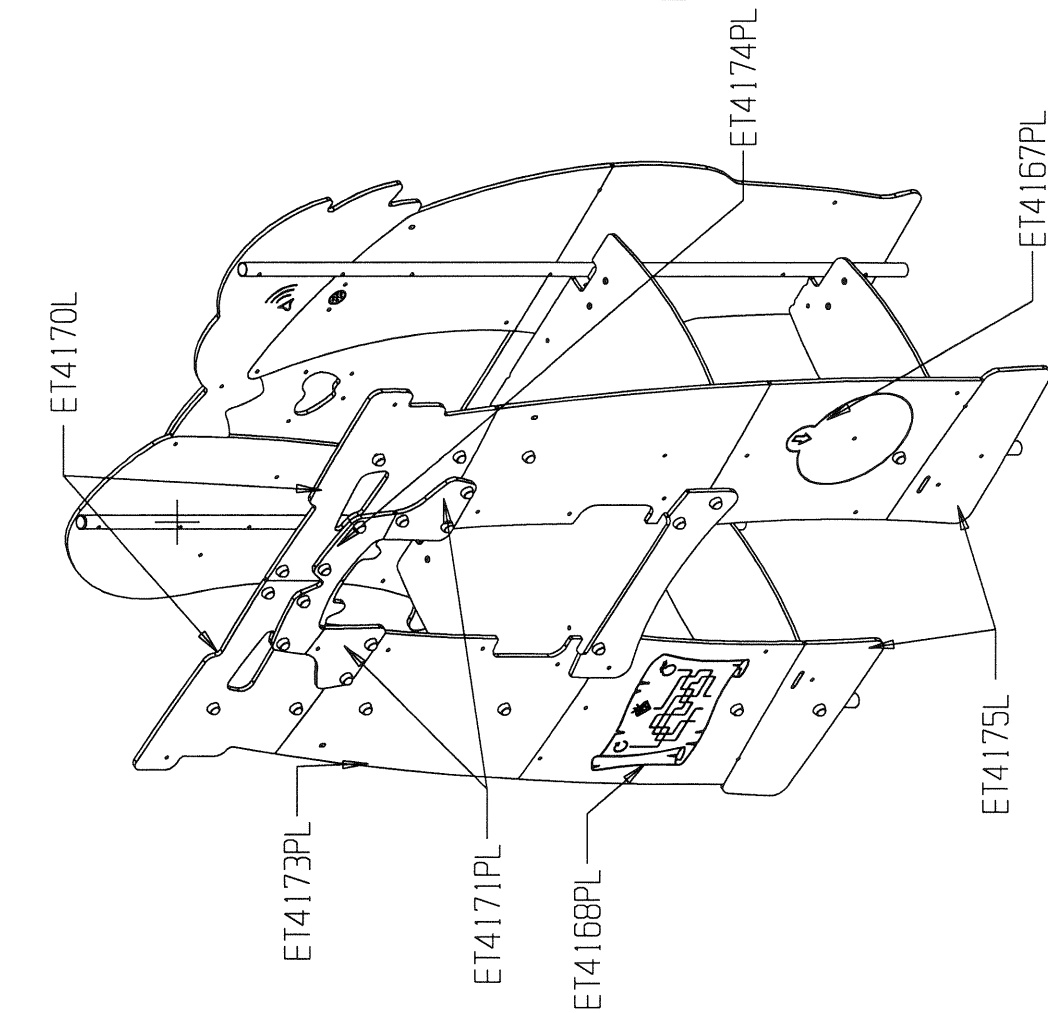




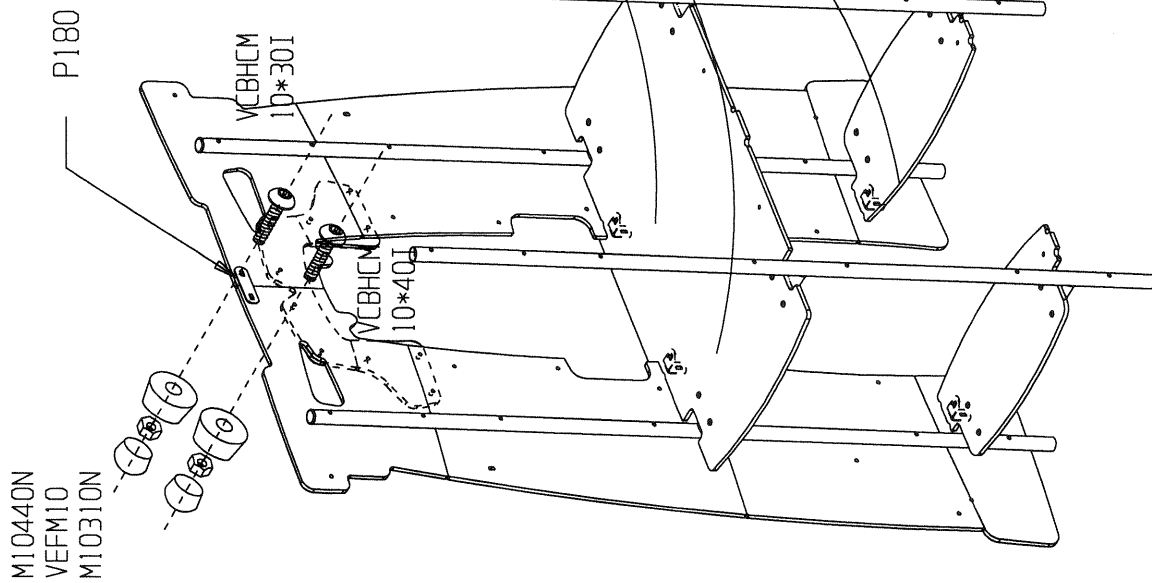
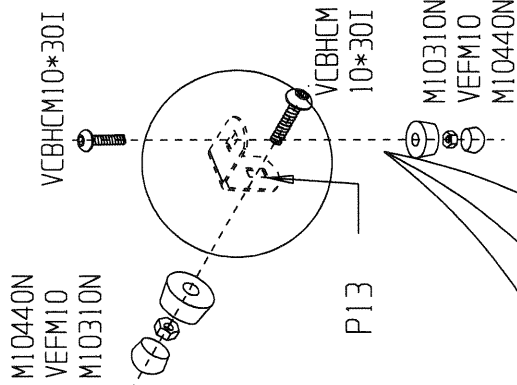
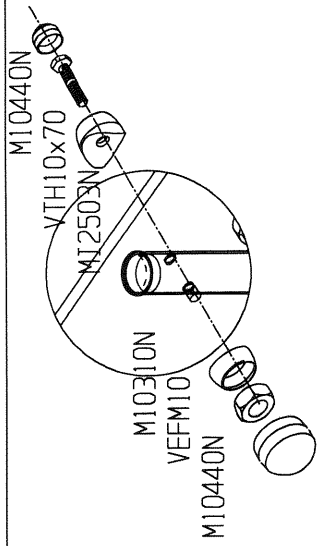
	M42	4
	VEFM10	16
	VCBHCM10*30I	16
	M10310N	16
	M10440N	16



	VCBHCM10*40I	8
	VTH 10x70	11
	MI2503N	11
	M10310N	19
	M10440N	30
	VEFM10	19
	70 mm	
	180° :P180	1



		70 mm :P13	4
		P180	1
		VCBHC10*40I	12
		VCBHC10*30I	8
		VTH 10x70	9
		M12503N	9
		M10310N	29
		M10440N	37
		VEFM10	29



VCBH10\*30

VCBH10\*40

VTH10\*70

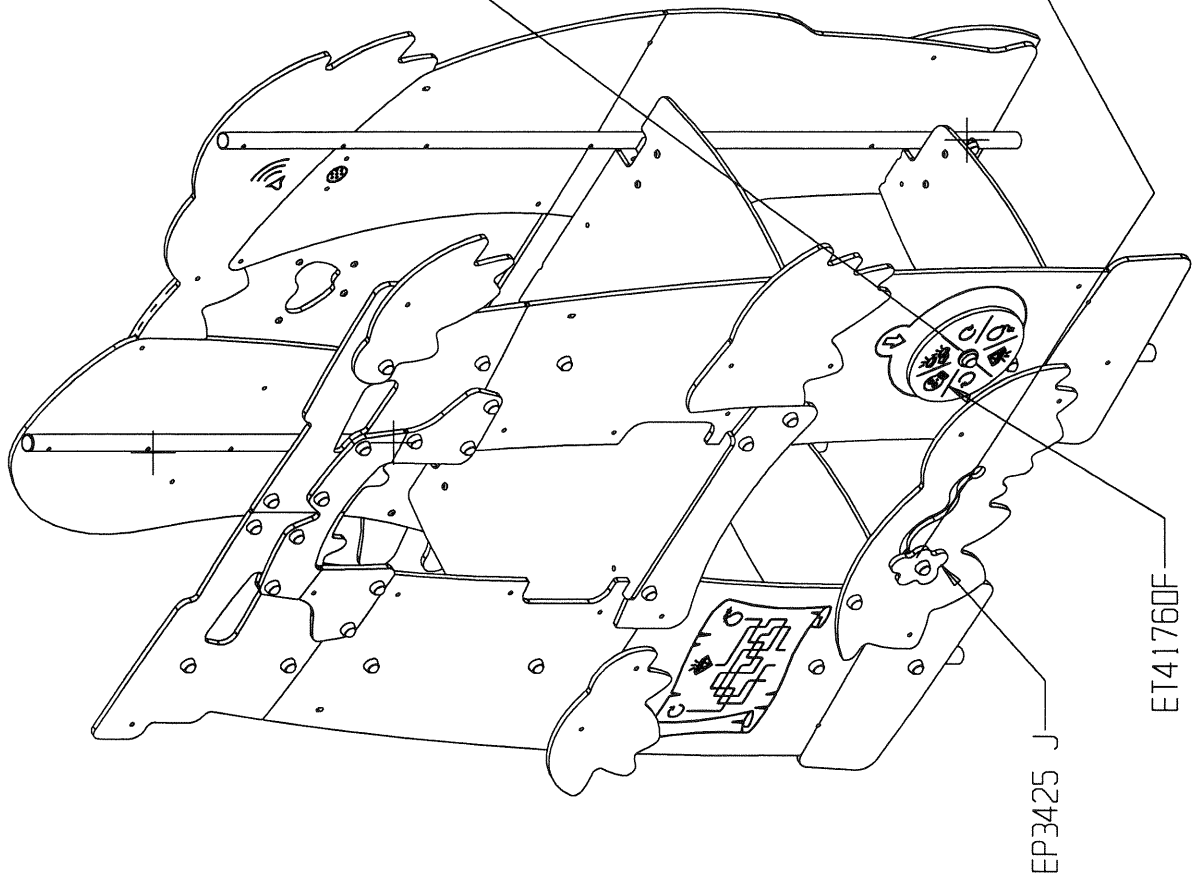
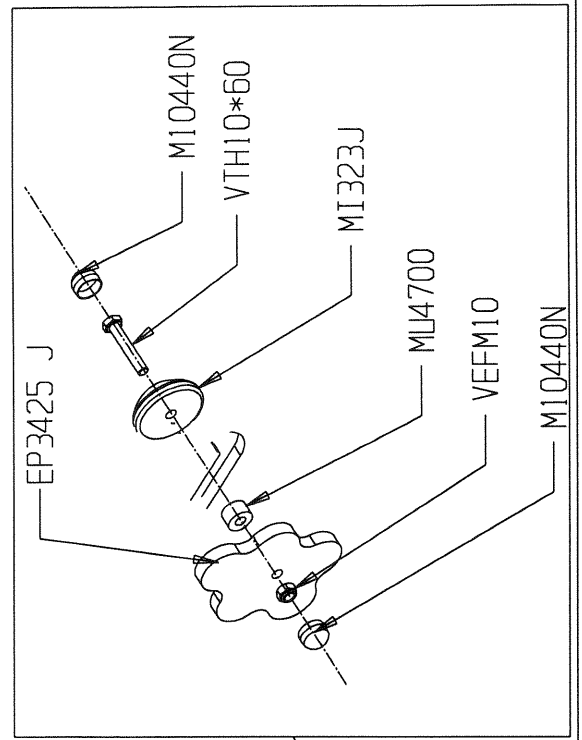
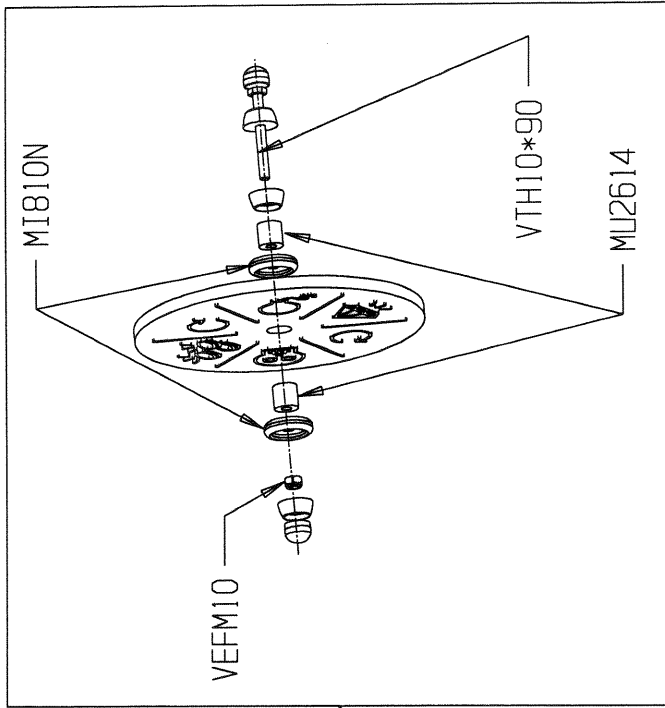
VTH10\*70

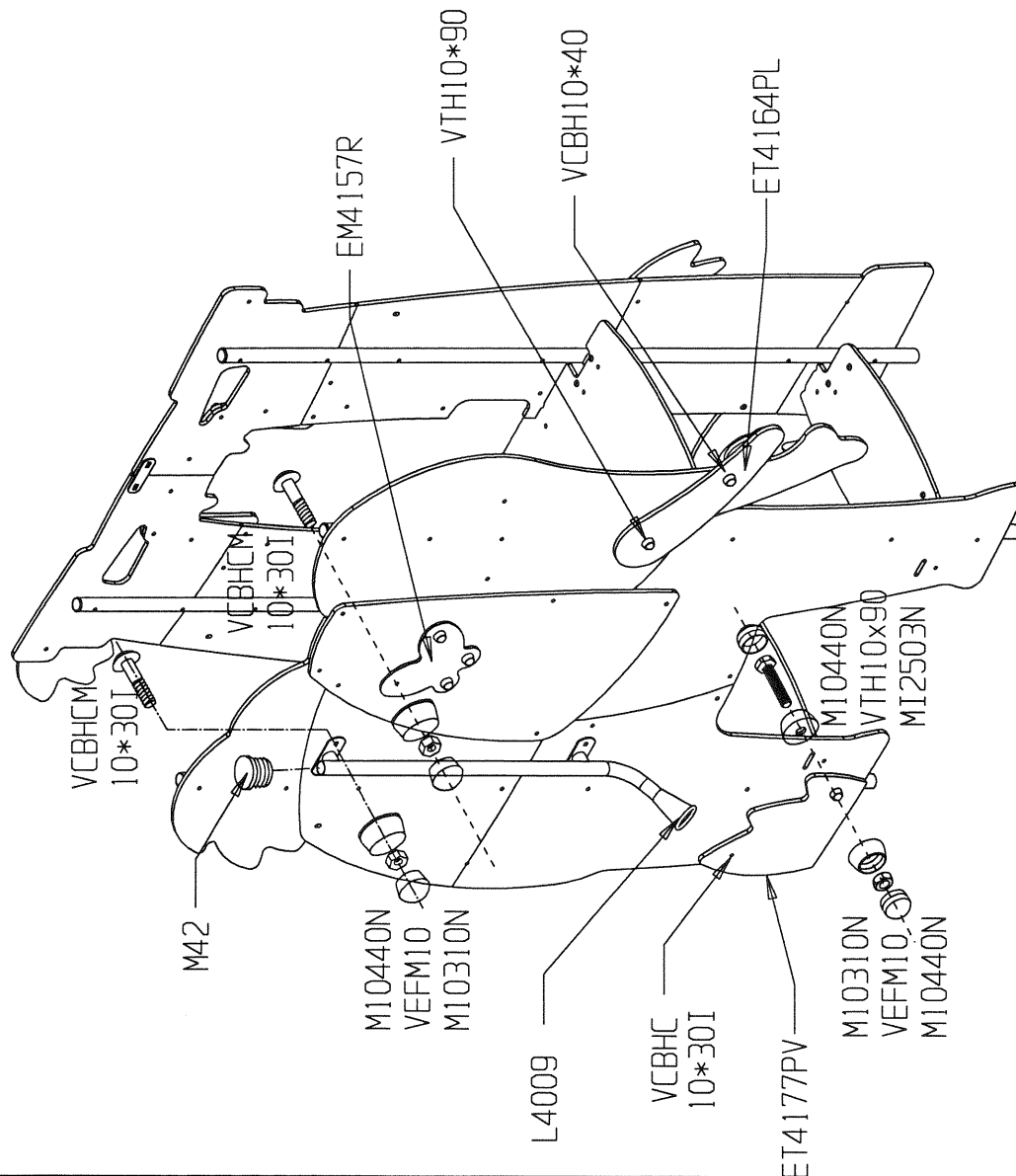
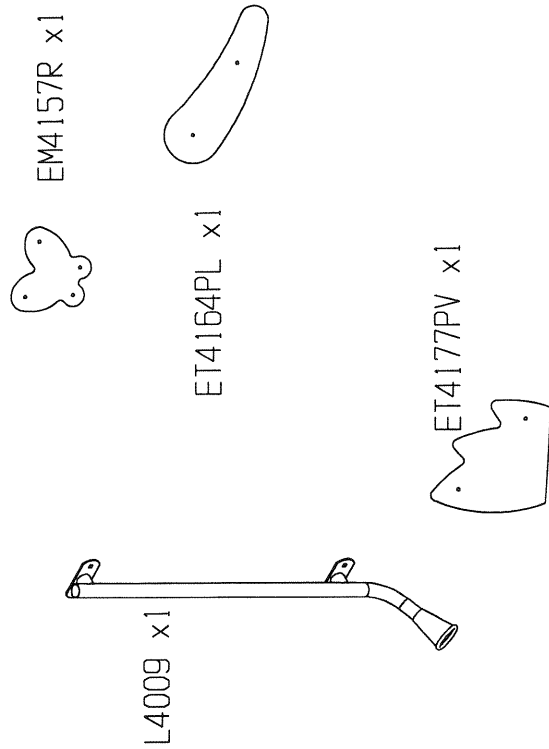
VTH10\*70

VTH10\*70

VTH10\*70

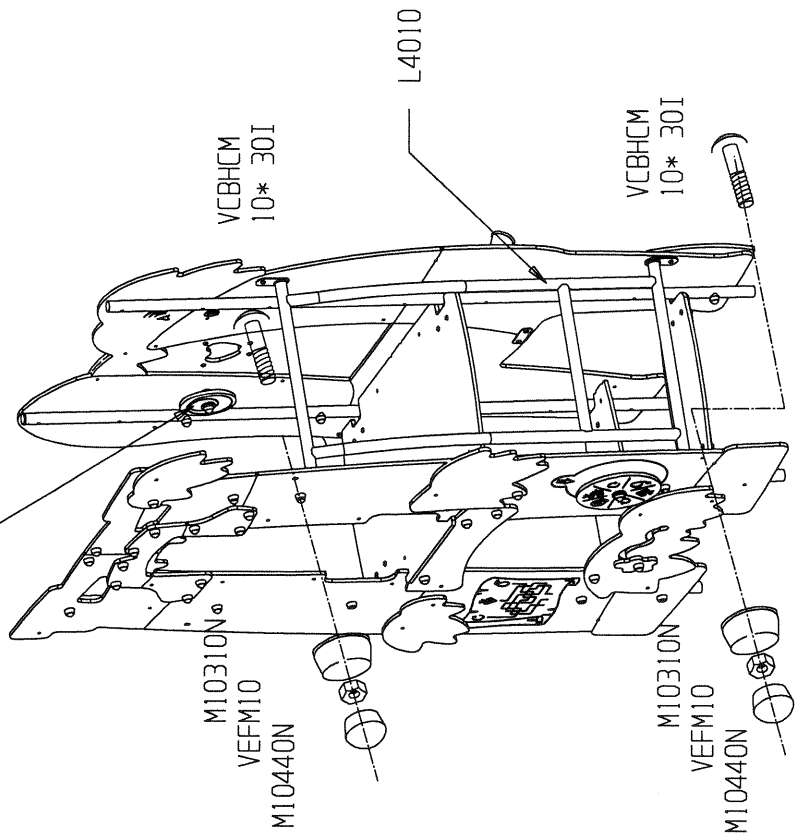
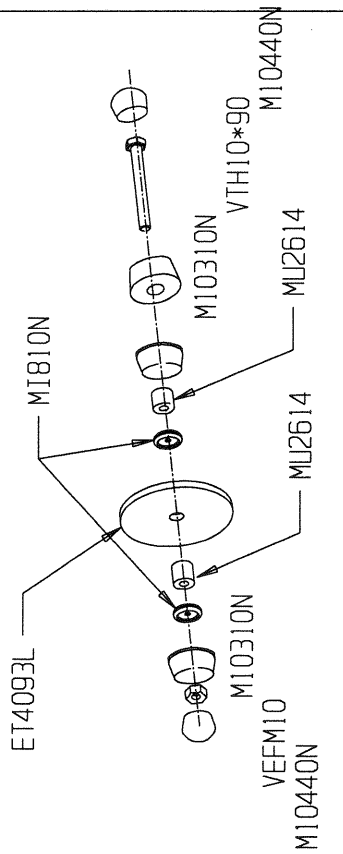
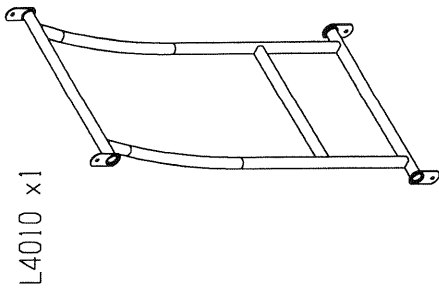




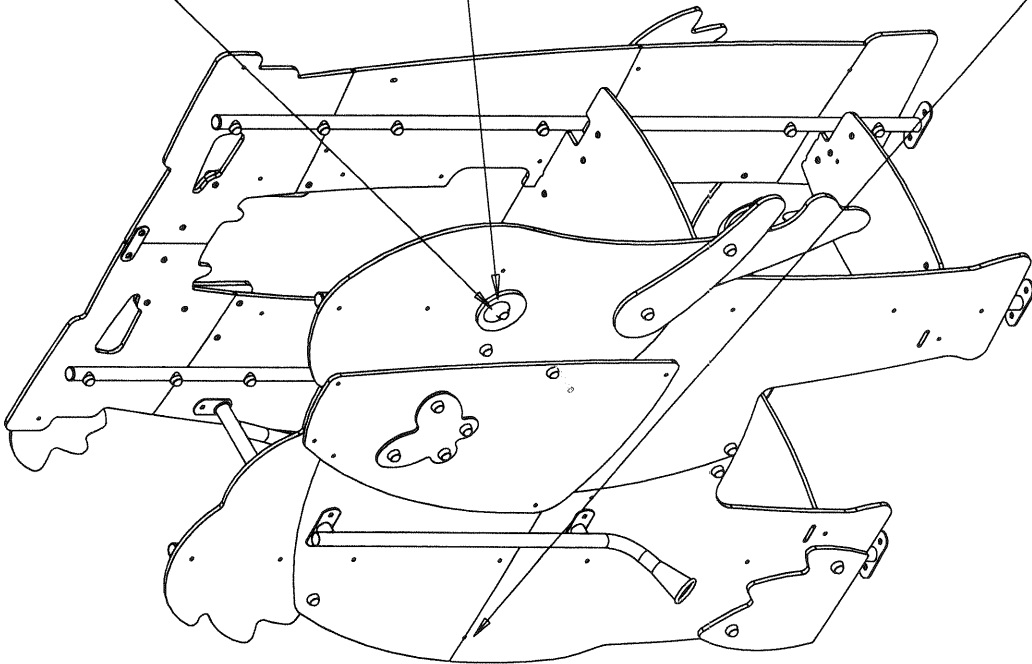
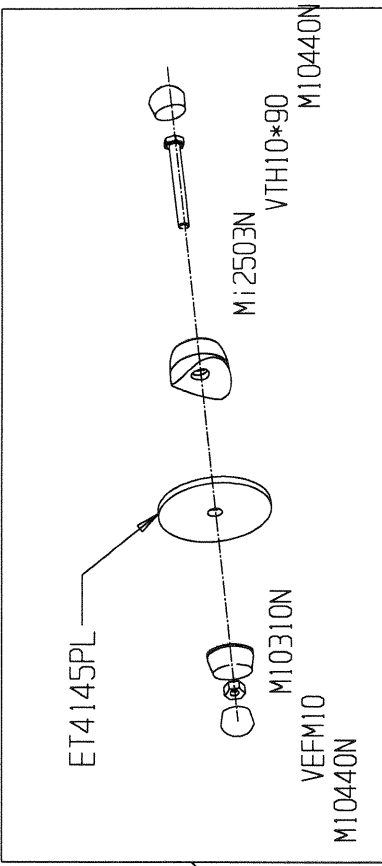


	VTH 10x90	2
	MI2503N	2
	M42	1
	VCBHC10*30I	10
	VEFM10	12
	M10310N	12
	M10440N	14



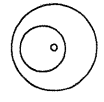


	MJ2614	2
	MI810N	2
	VEFM10	5
	M10310N	8
	M10440N	6
	VCBHCM10x30I	4
	VTH 10x90	1

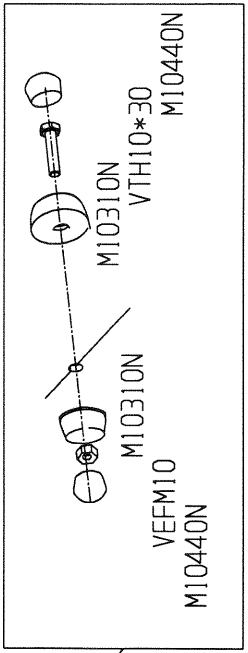


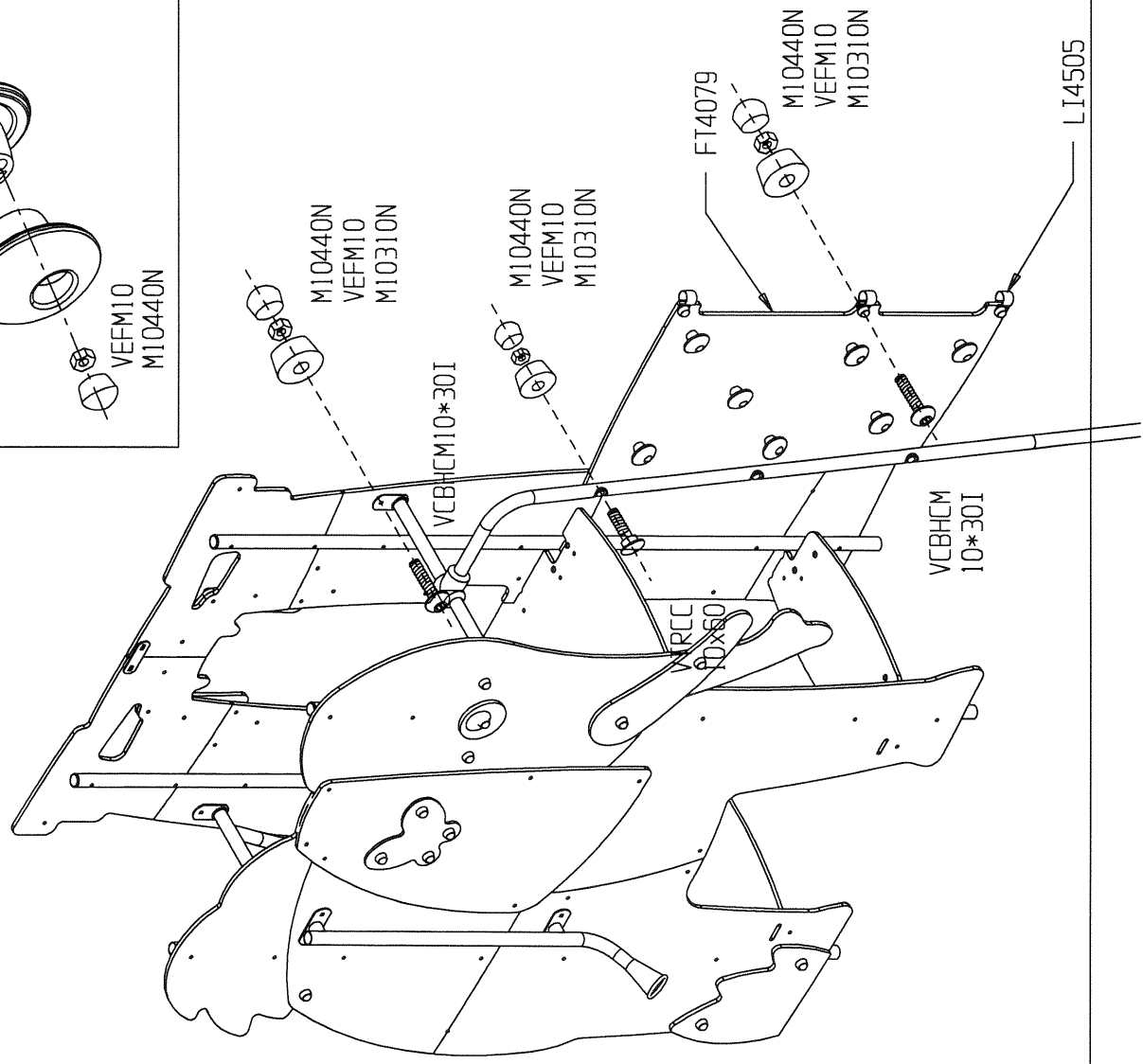
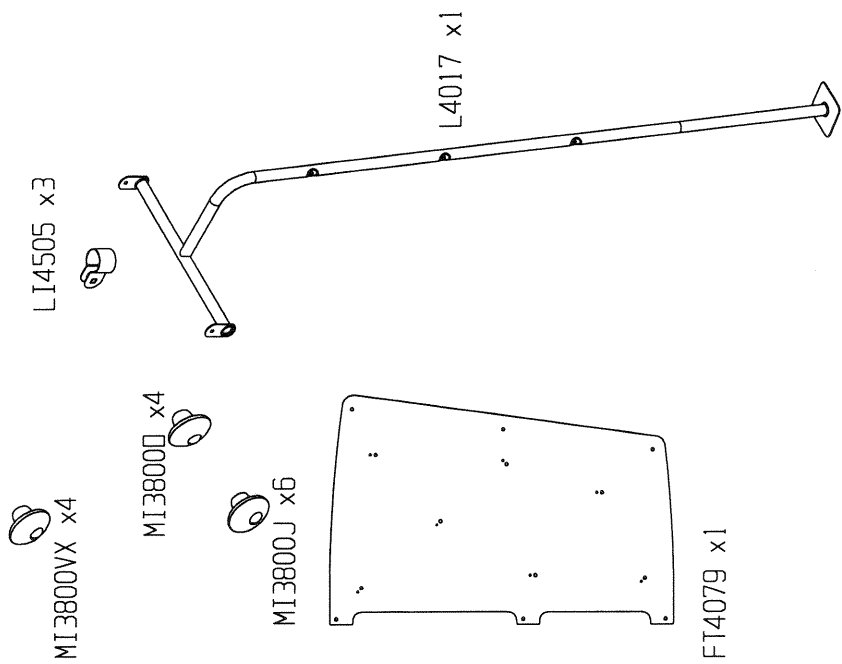
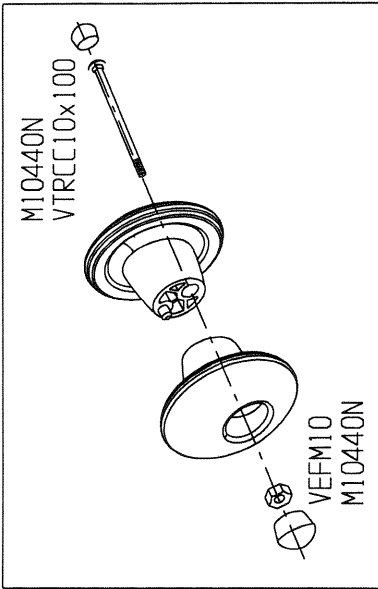
ET4145PL

ET4145PL x1



	VTH_10x30	1
	VEFM10	2
	M10310N	3
	M10440N	4
	VTH_10x90	1
	M12503N	1





	VEFM10	15
	M10310N	7
	M10440N	22
	VCBHC10x30I	5
	VCBHC10x25I	4
	VEBMB	4
	VTRCC10x100	7
	VTRCC10x60	3



MI2502N X 2

