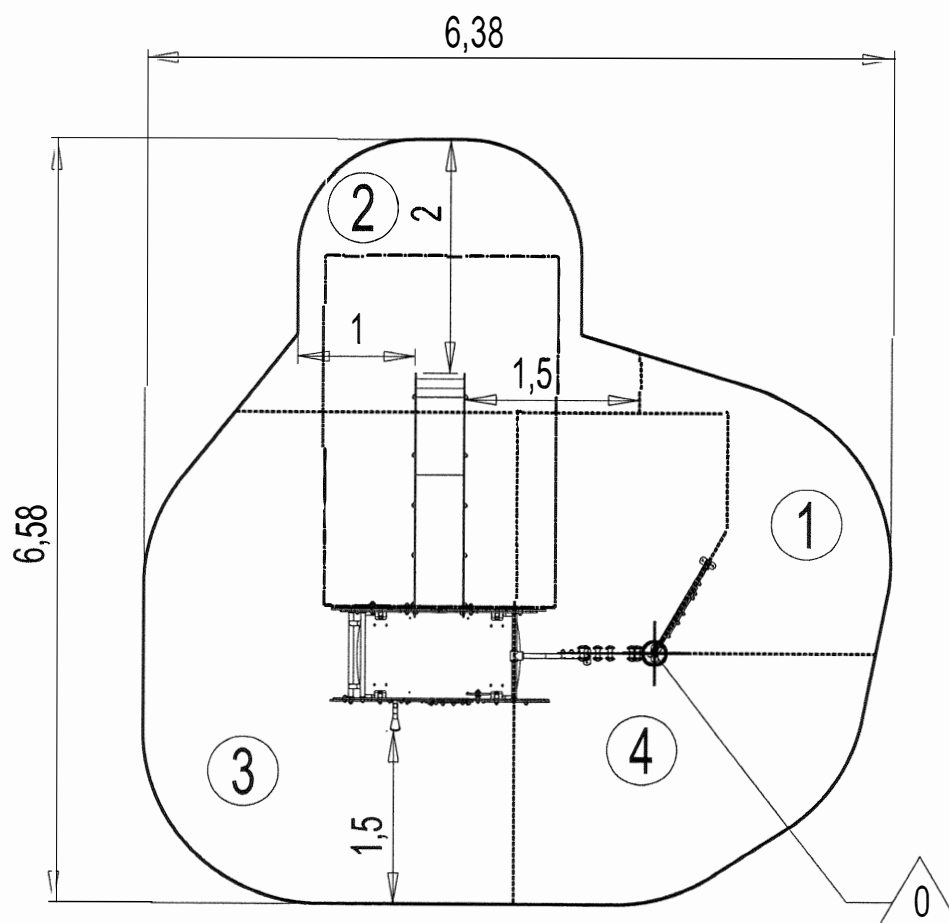


N°	m	m ²
①	0.6 m	3.5 m ²
②	1 m	6 m ²
③	1.17 m	12.5 m ²
④	1.8 m	9 m ²

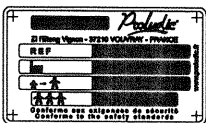
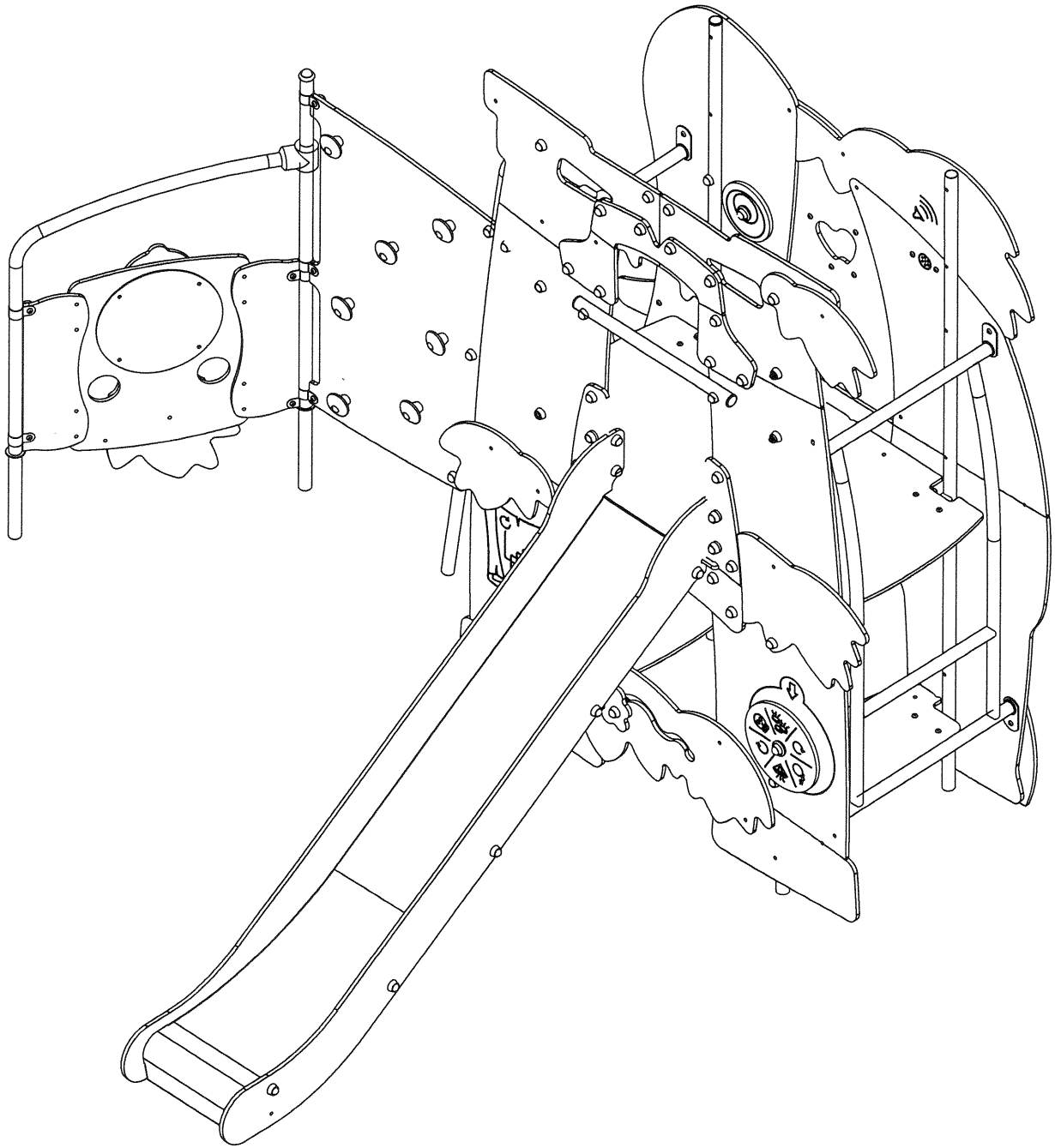
Zone d'Impact
 Impact Area
 Area de Impacto
 Fallraum
 Valzone

EN 1176-1 : 2017
 EN 1176-3 : 2017

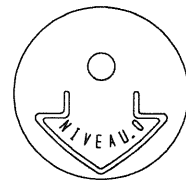
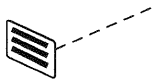
Espace libre
 Free Space
 Espacio Libre
 Freiraum
 Vrije ruimte



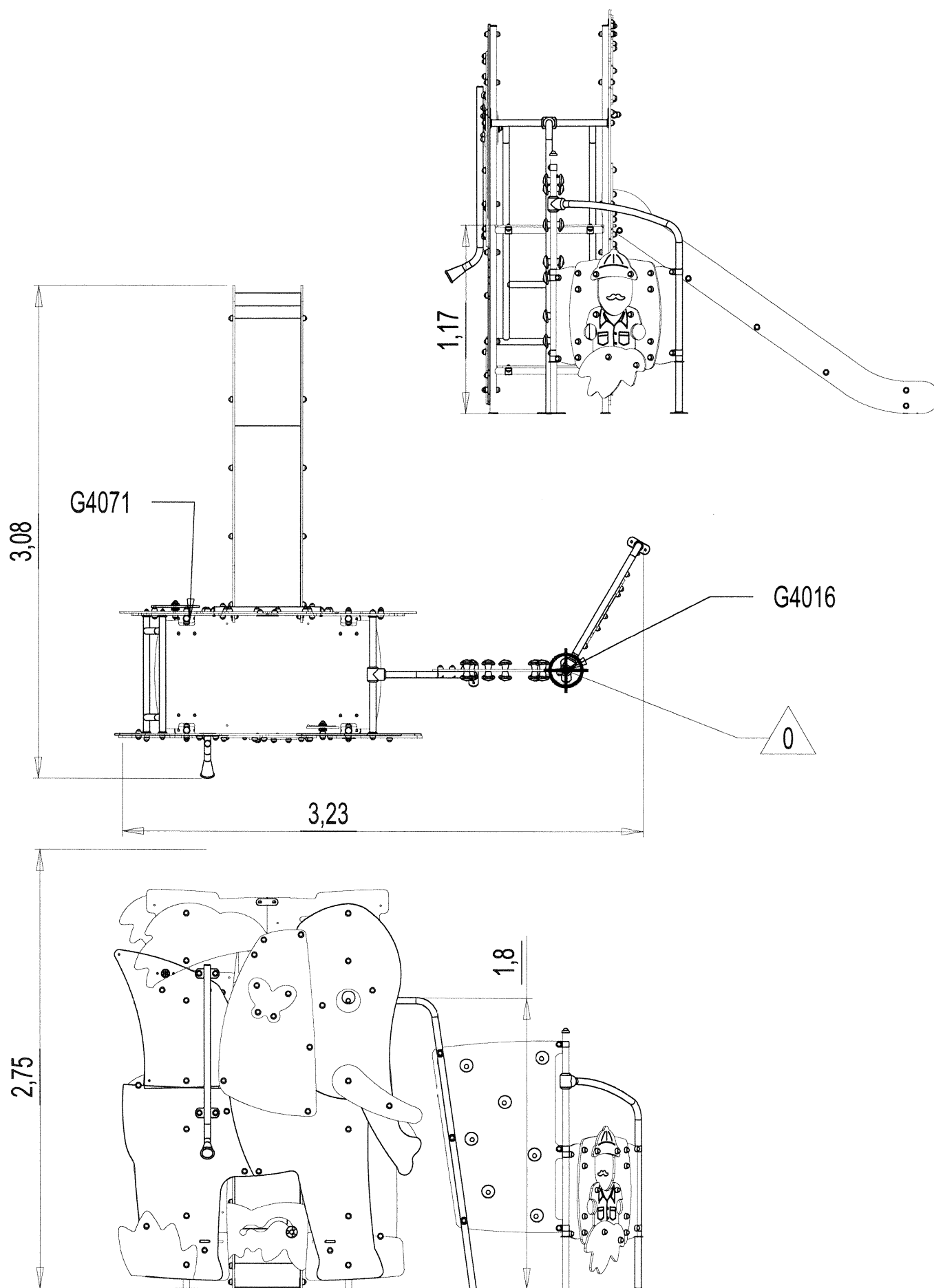
Point de Référence
 Setting Out Point
 Punto de referencia
 Bezugspunkt
 Referentiepunt

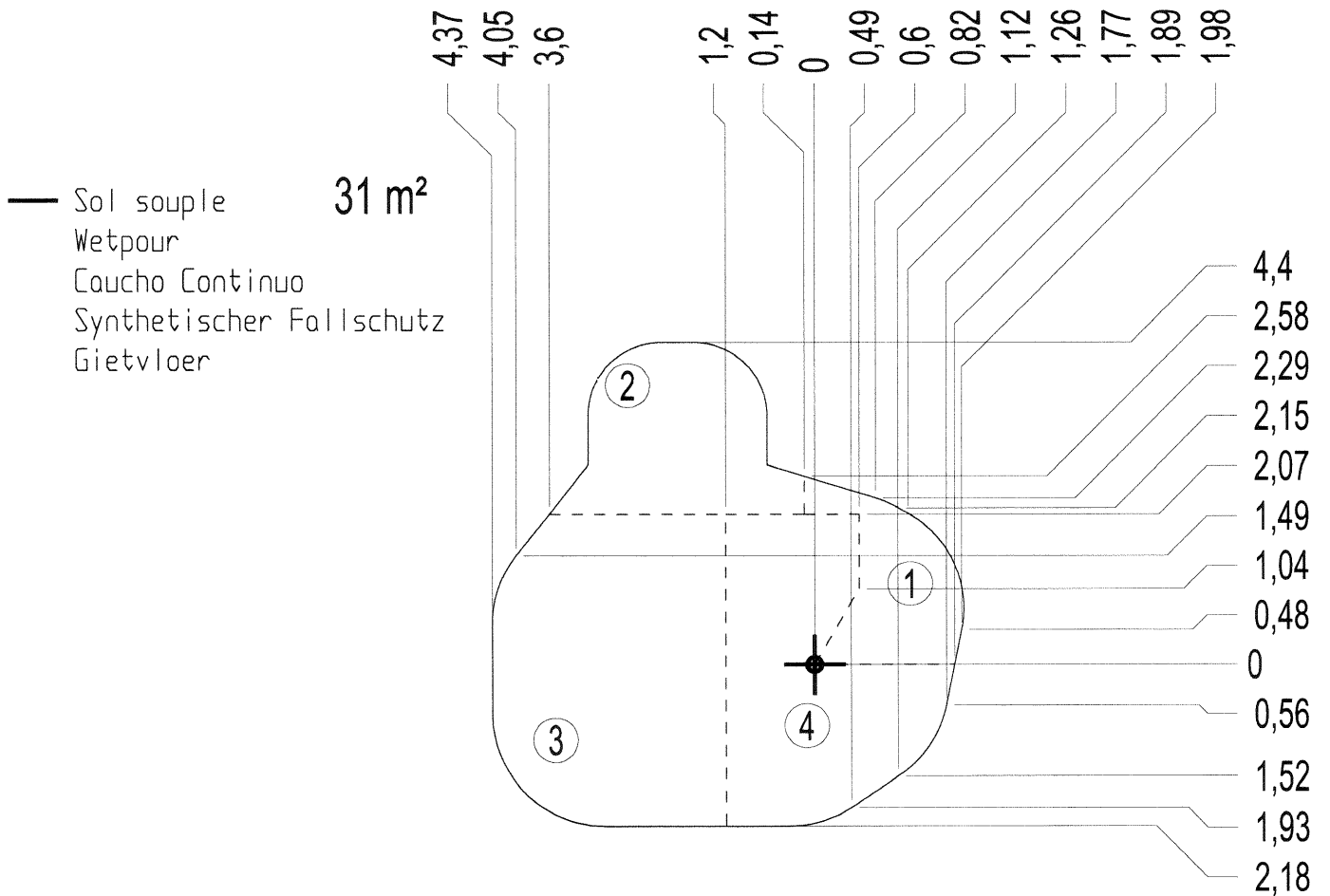
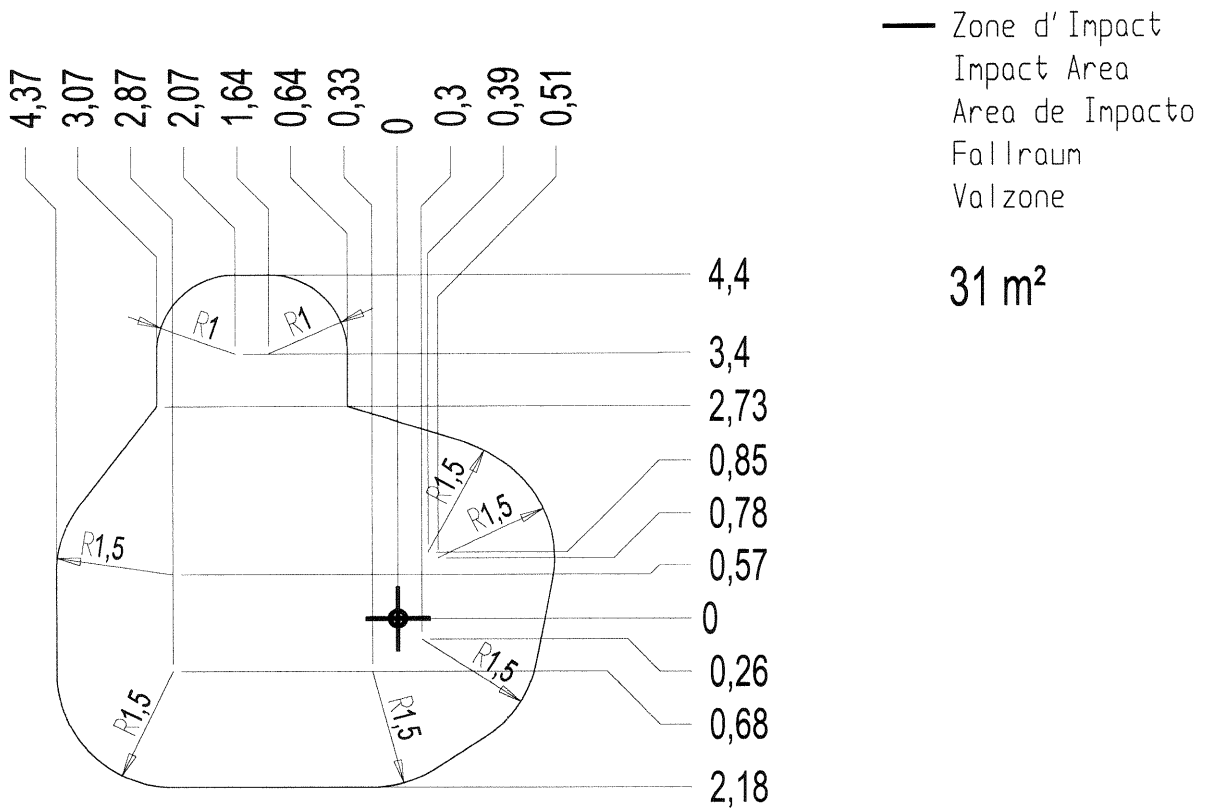


LA000



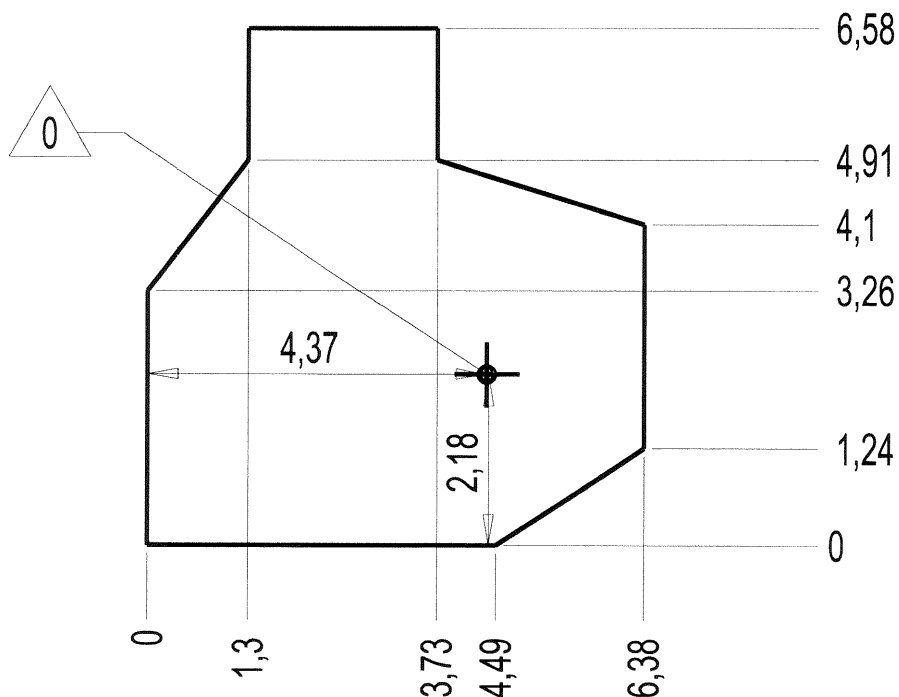
MI0002





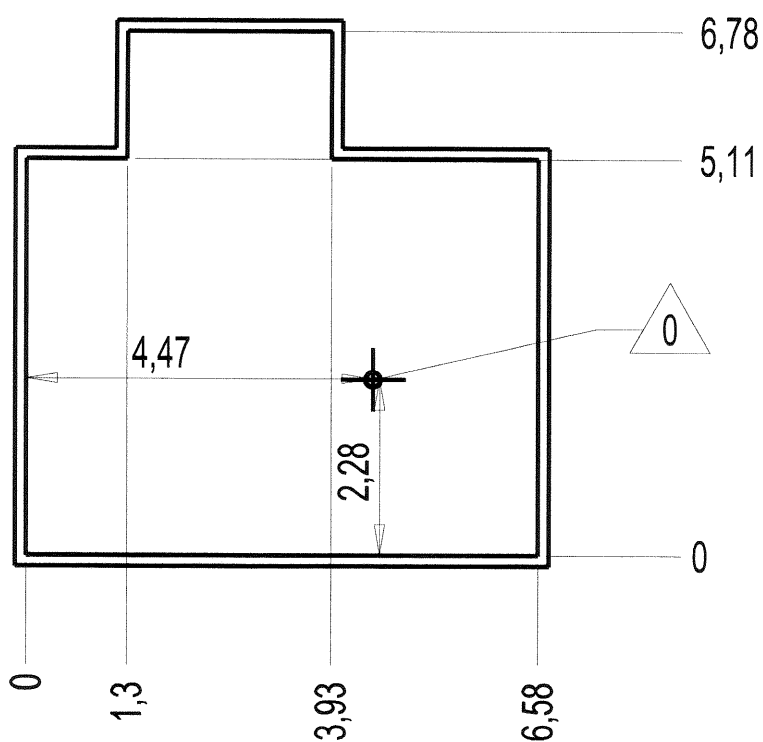
- Dalle béton
- Concrete pad
- Solera de Hormigón
- Beton Bodenplatte
- Betonnen bodenplaat

24 m
33 m²

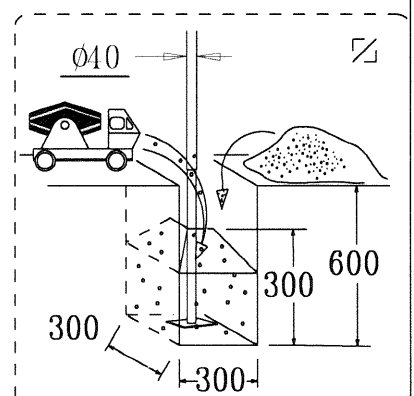
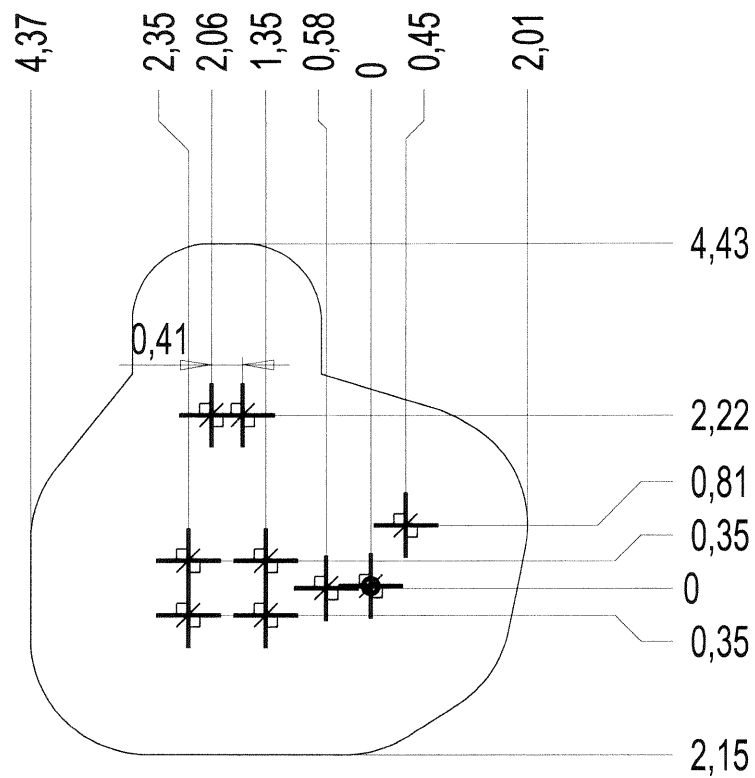


- Sol fluent
- Loose particle material
- Arenero
- Loses Bodennaterial
- Los bodennateriaal

28 m
38 m²

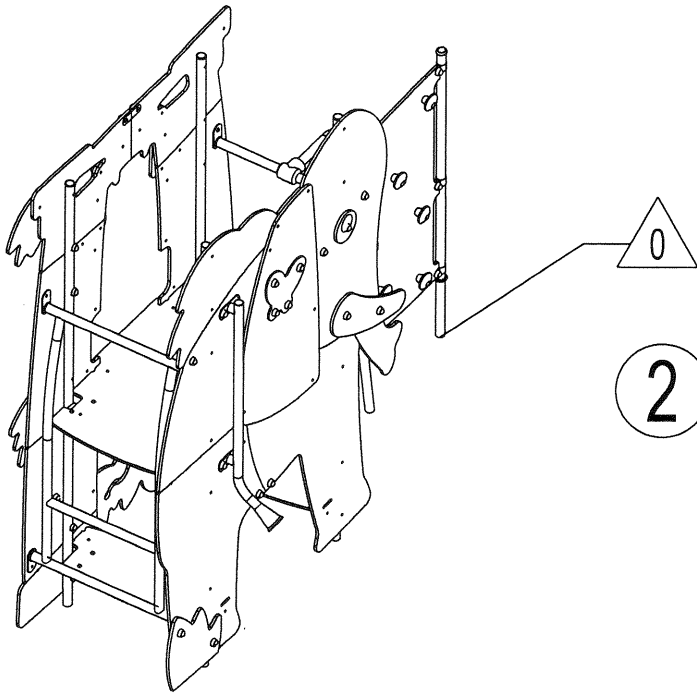


Implantation
 Footing plan
 Implantación
 Fundamentplan
 Funderingstekening

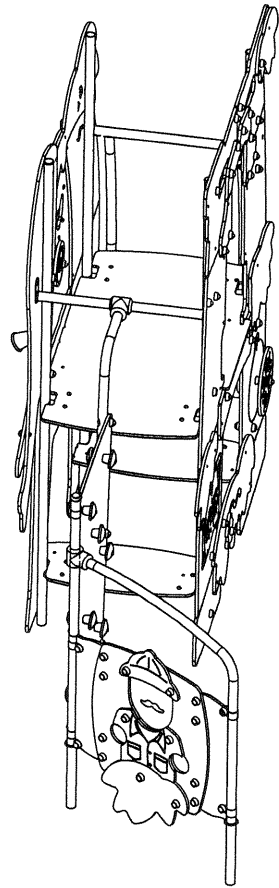


 x2	 6H	 0.3m ³
--------	--------	-----------------------

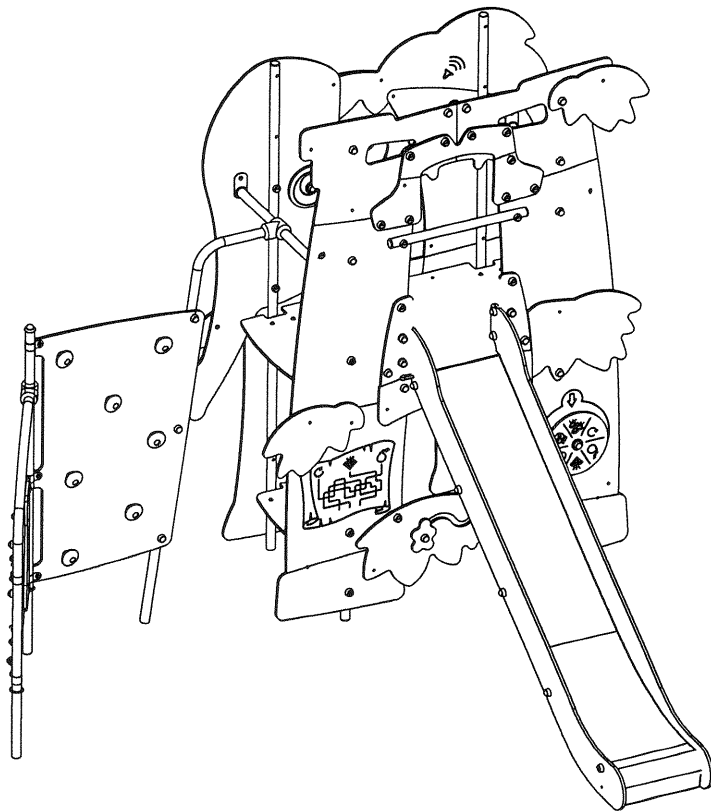
1

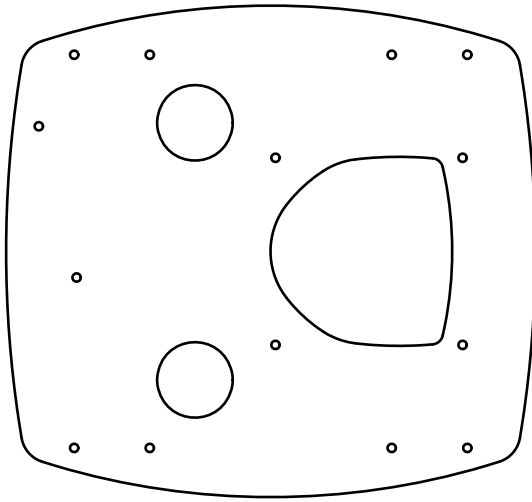
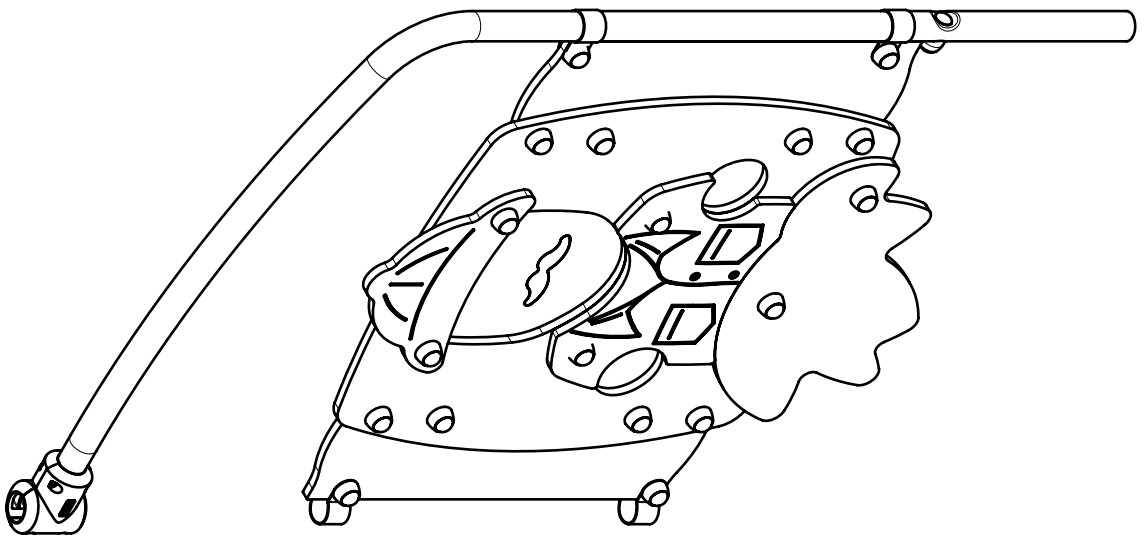


2

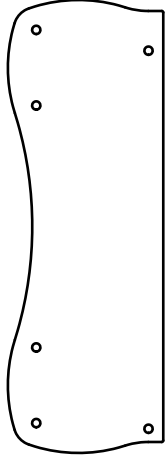


3

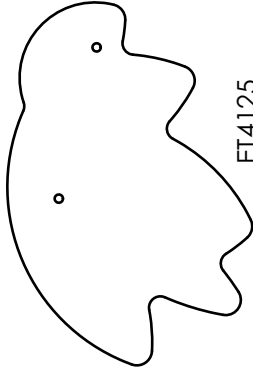




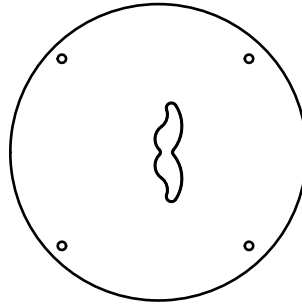
ET4126



ET3406



ET4125



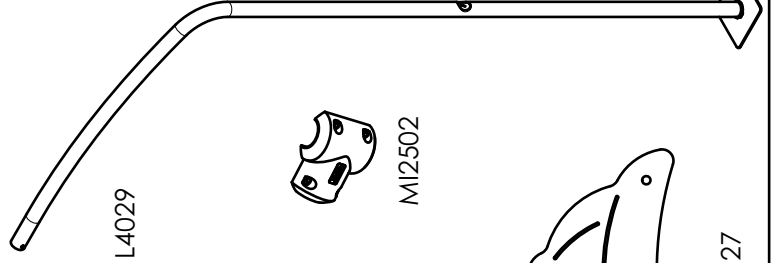
SA4000



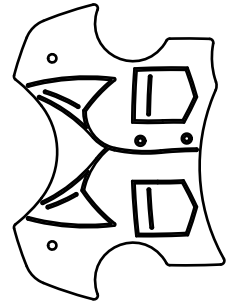
LI4505



MI2502



L4029

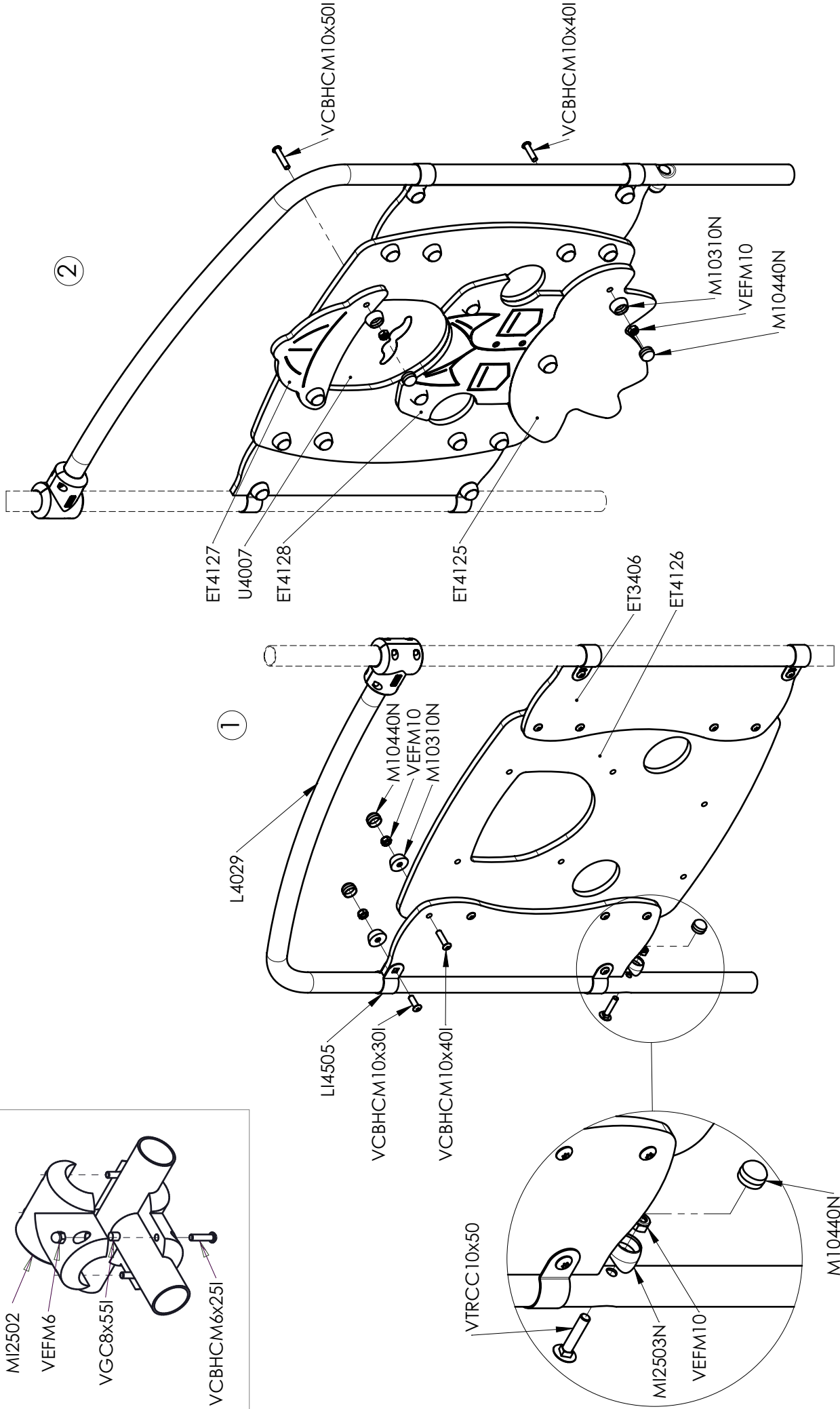
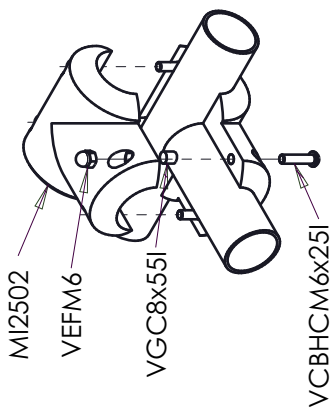


ET4128



ET4127

Réf	Qté
ET3406PL	2
ET4125PV	1
ET4126PV	1
ET4127PL	1
ET4128PL	1
L4029	1
LI4505	4
M10310N	18
M10440N	19
MI2502N	2
MI2503N	1
U4007	1
VCBHCMI0x30I	4
VCBHCMI6x25I	4
VCBHCMI10x50I	4
VCBHCMI10x40I	10
VEBM6	4
VEFM10	19
VGC8x55I	1
VTRCC10x50	1

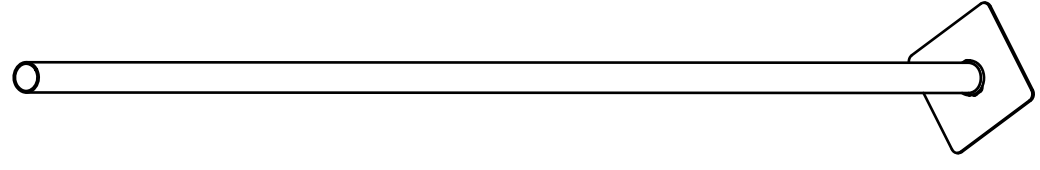
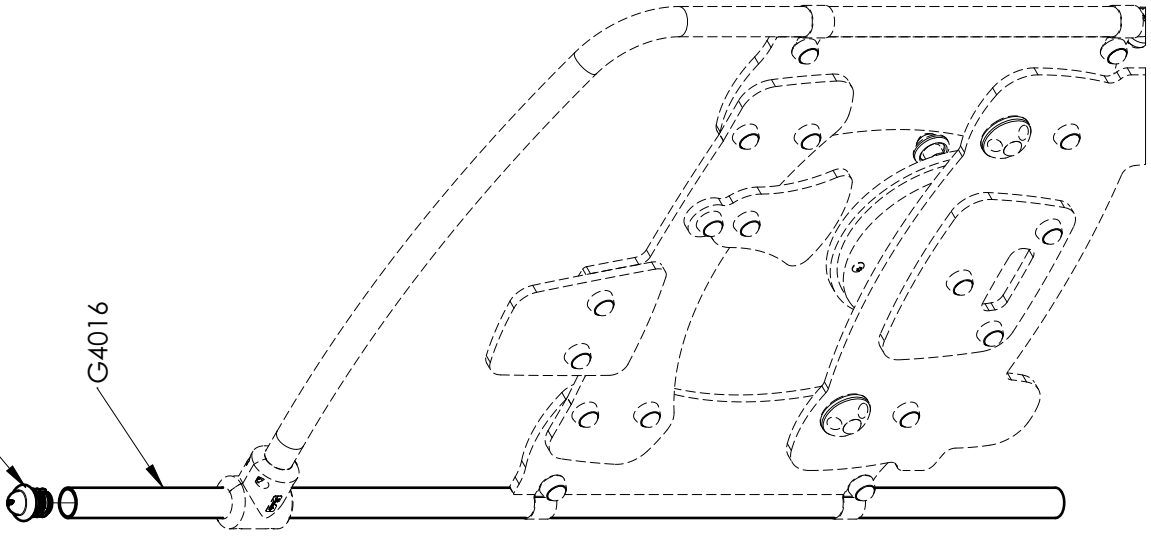


M12510N

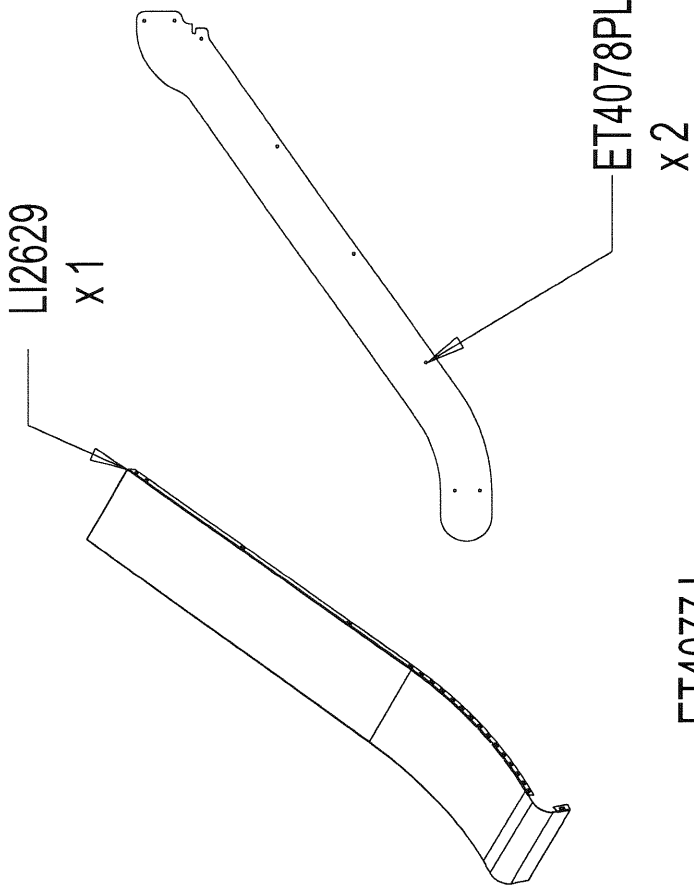
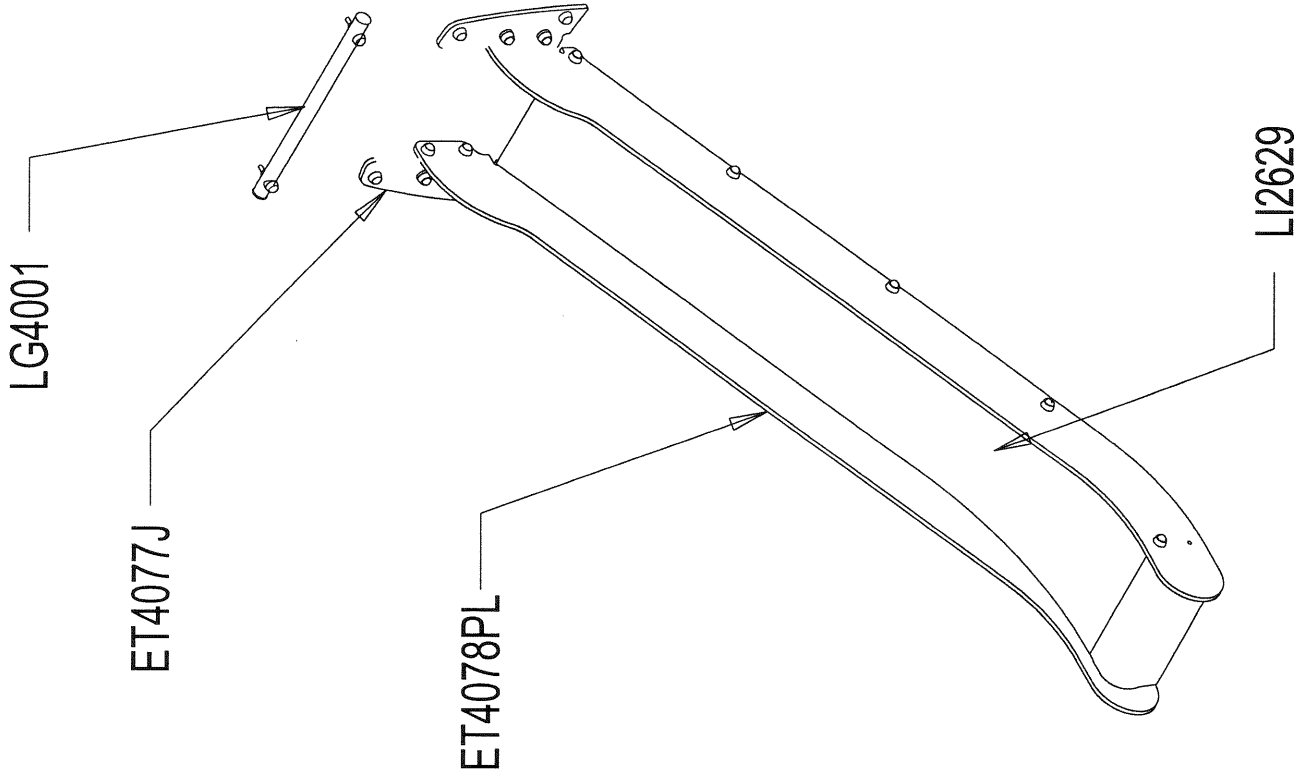
G4016

L4015

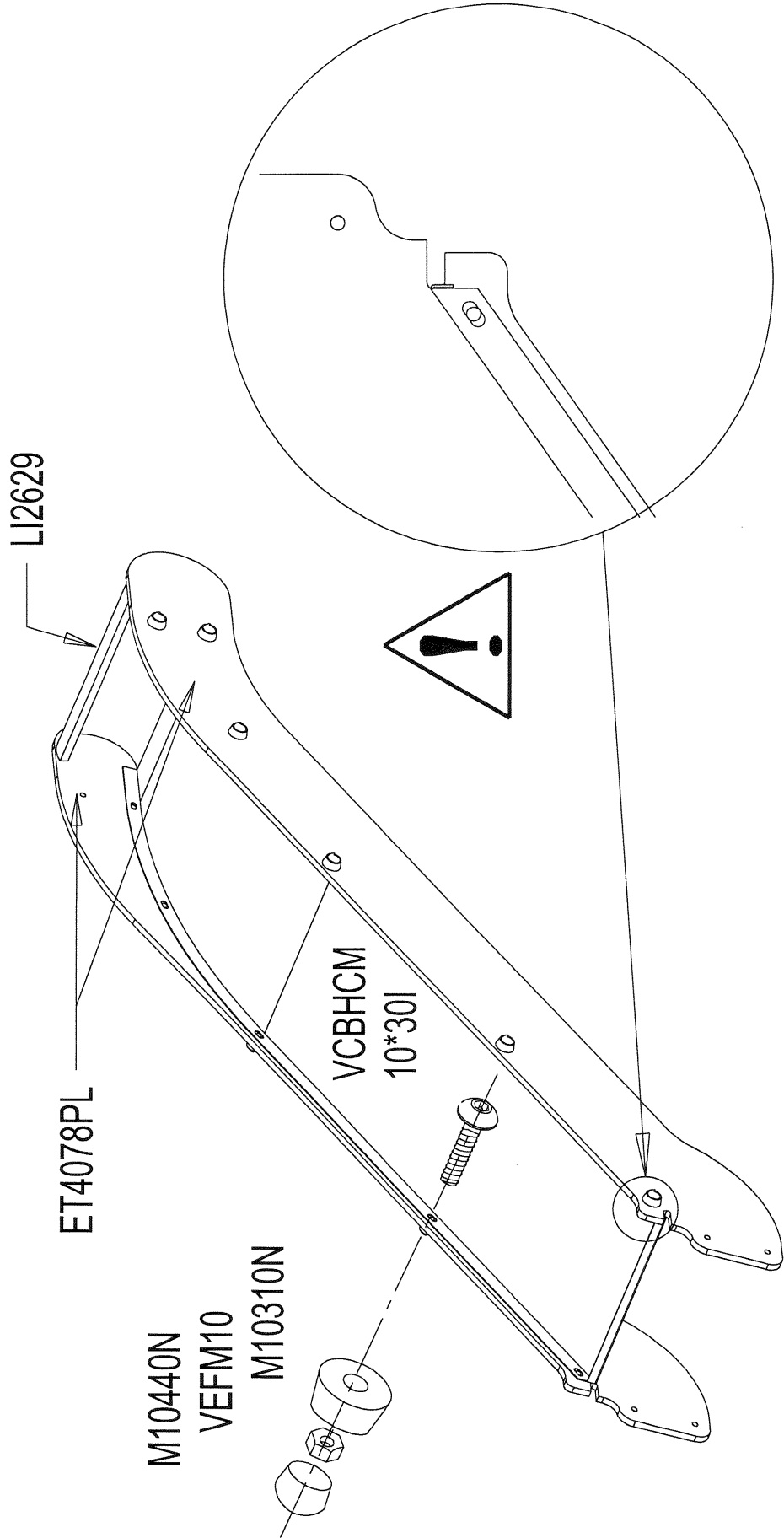
M12510N



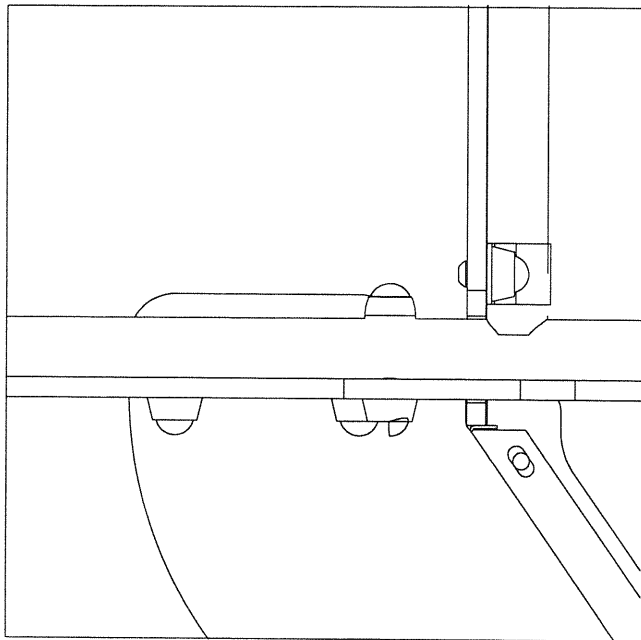
Réf	Qté
L4015	1
M12510N	1



	P20	4
	VEFM10	26
	VCBHC M10*30I	22
	VTH10*70	4
	M10310N	22
	M10440N	22
	M42	2
	MI2503N	2



3/3

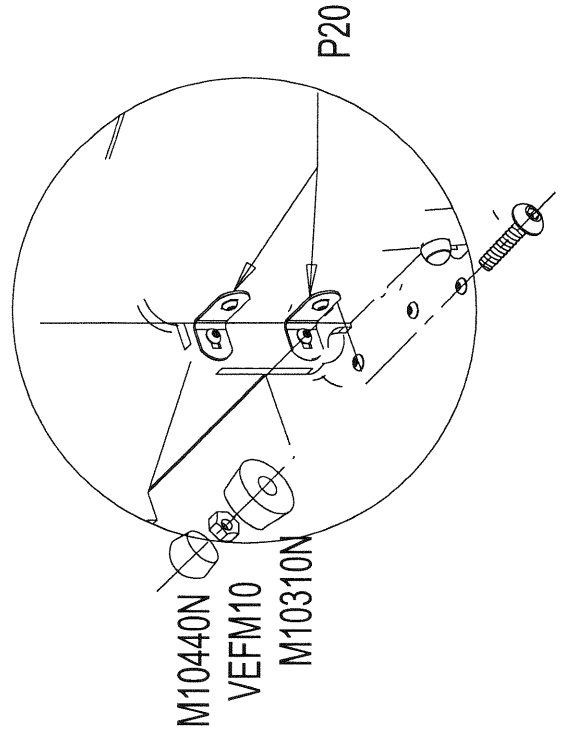


M12503N
VEFM10
M10440N

M10440N
VTH10X70
M10310N

LG4001

M42

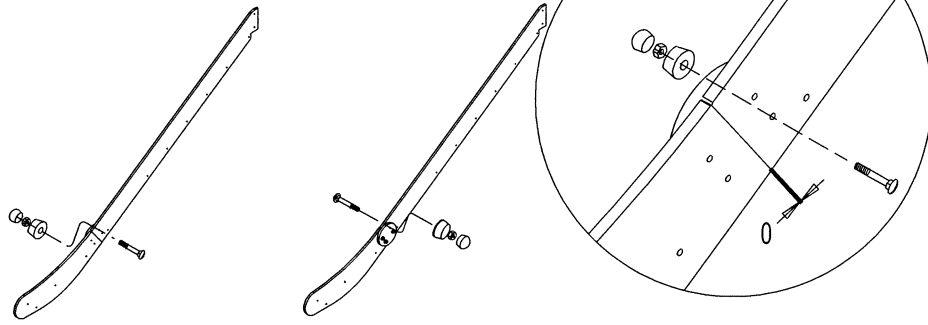


M10440N
VEFM10
M10310N

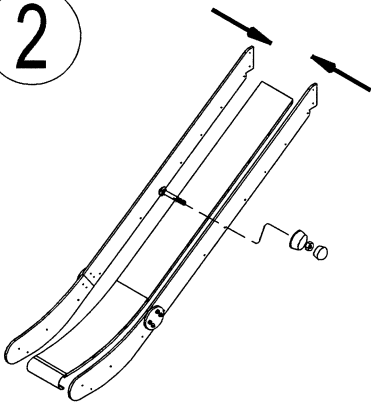
P20

VCBHC10*30I

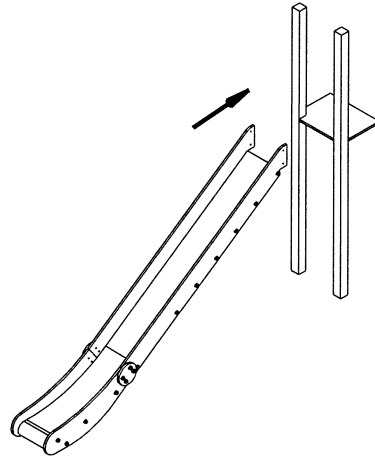
1



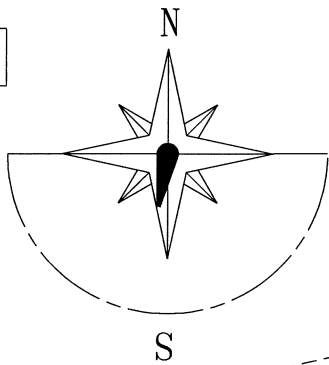
2



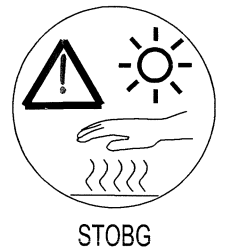
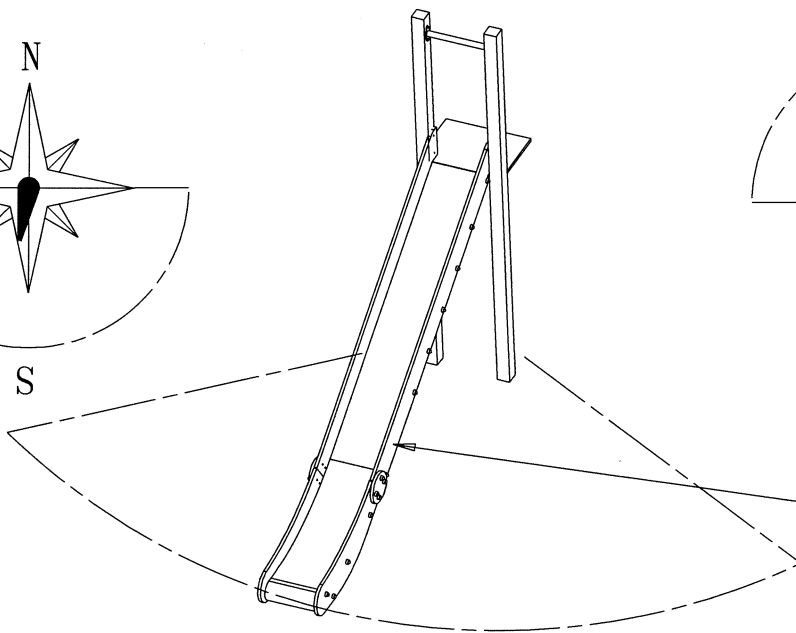
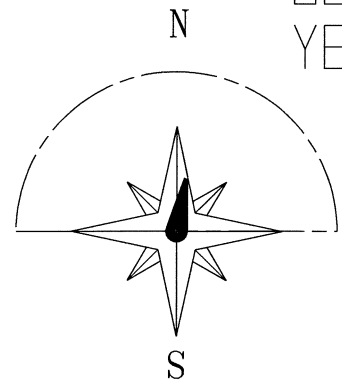
3



NON
NO

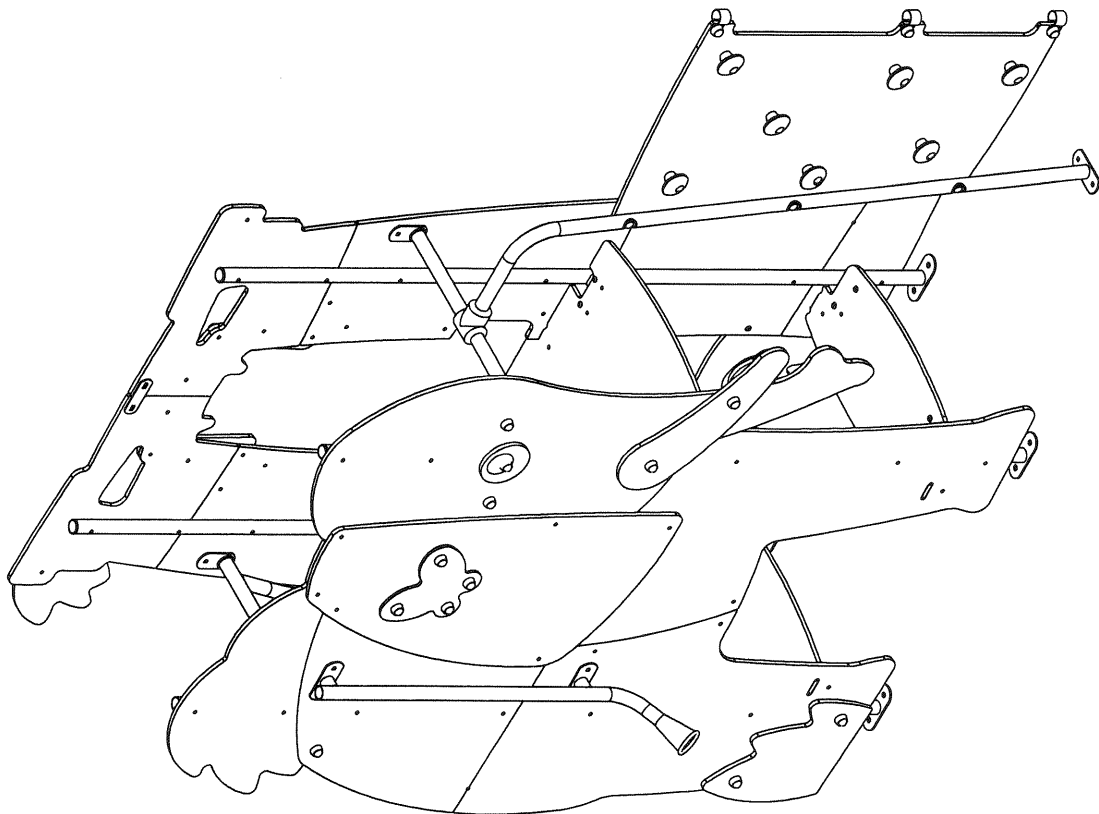
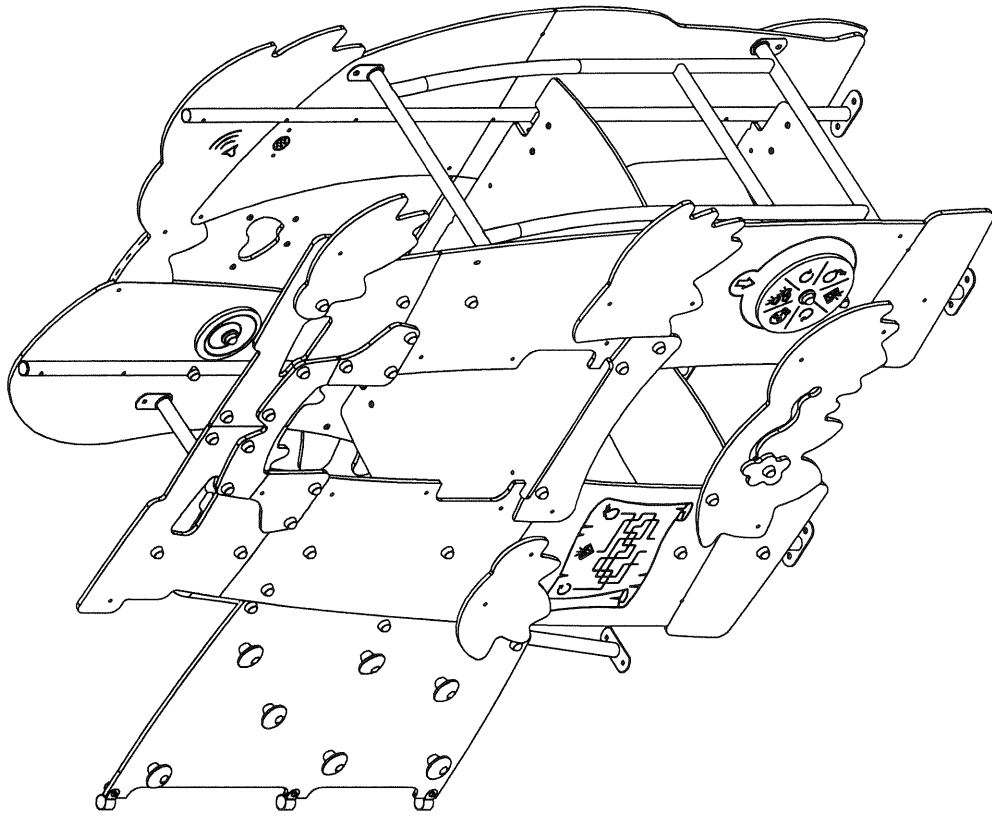


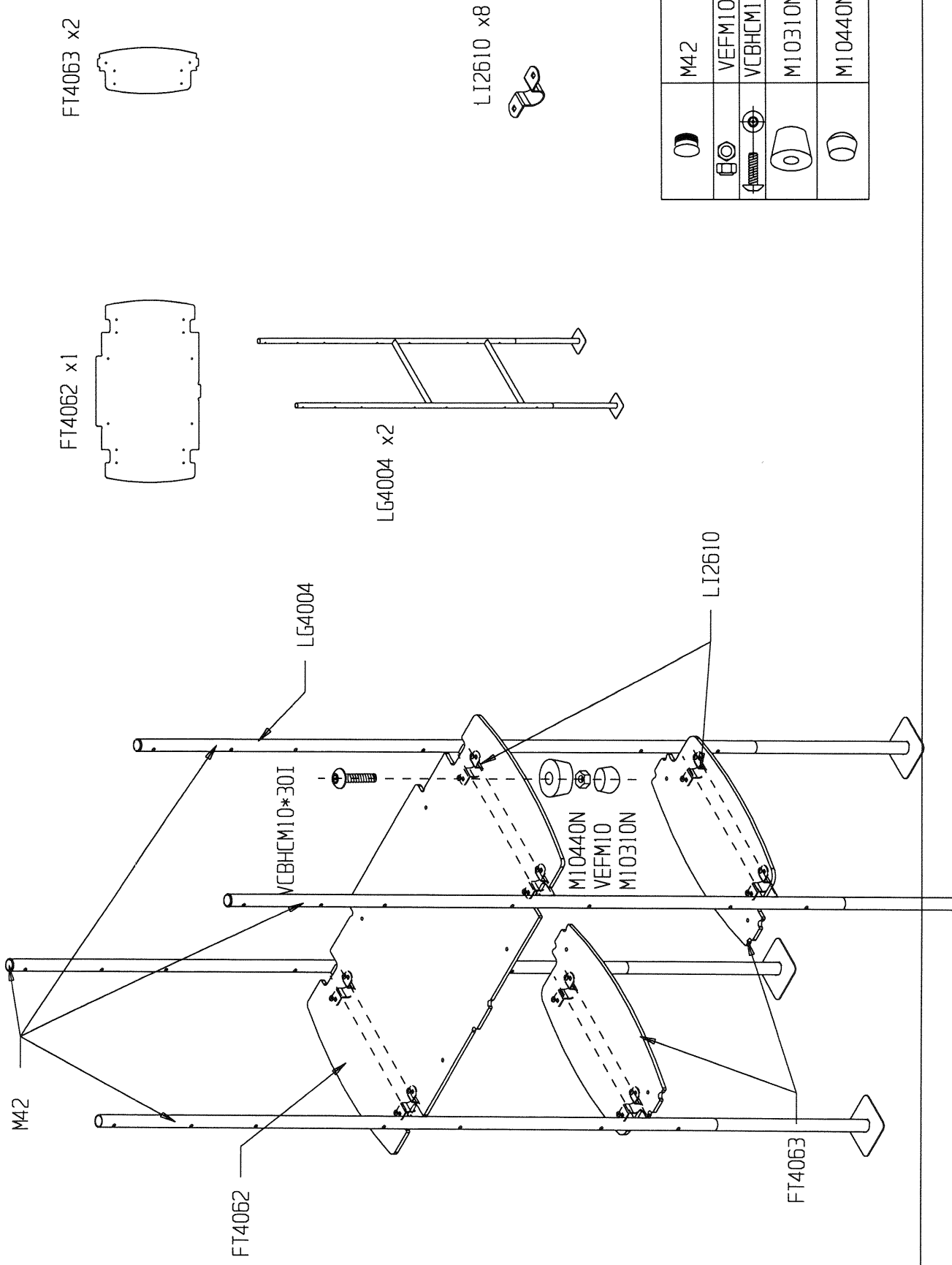
OUI
YES



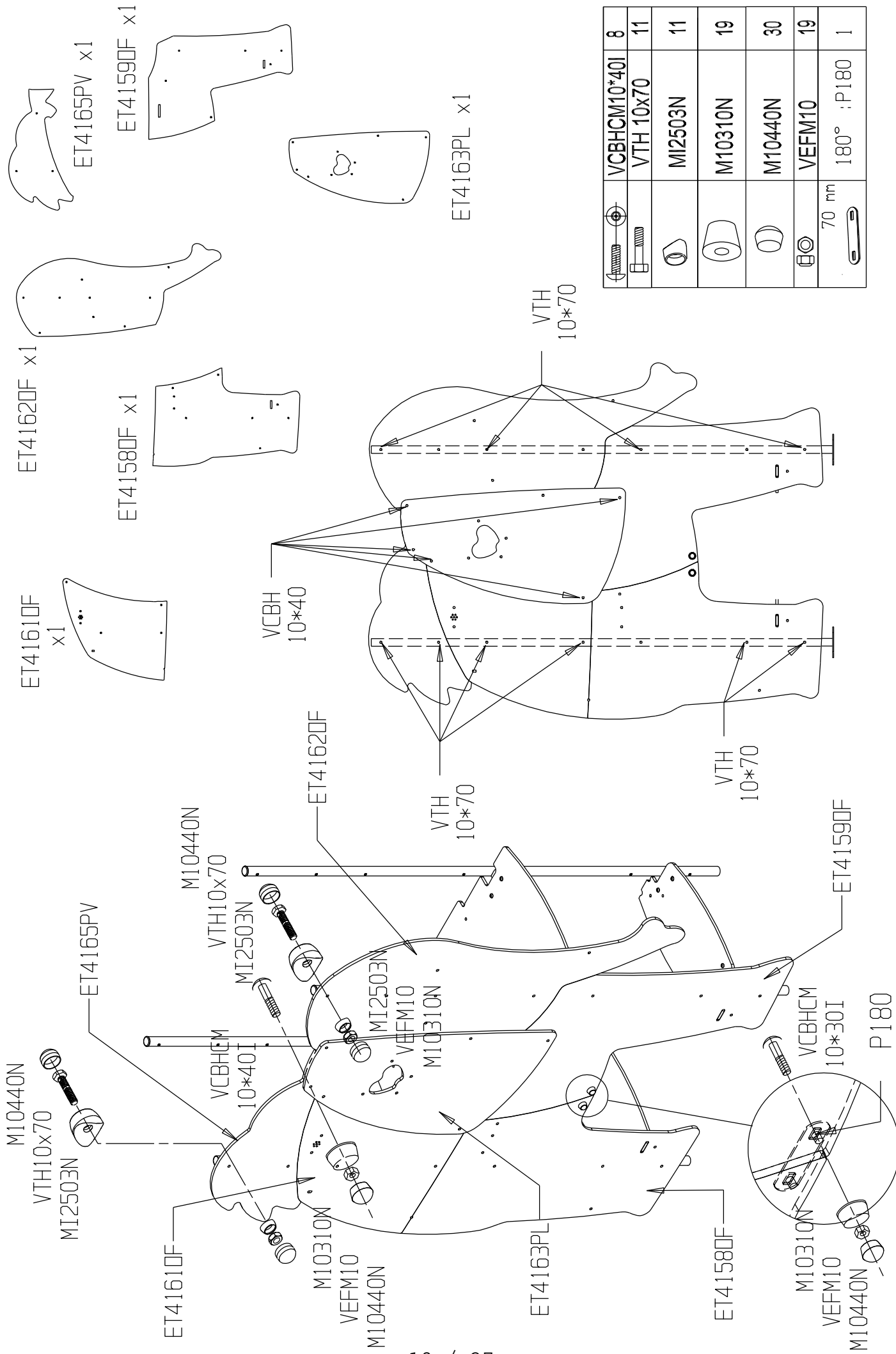
FR

Il est recommandé de ne pas orienter la glissière Sud / Sud Ouest

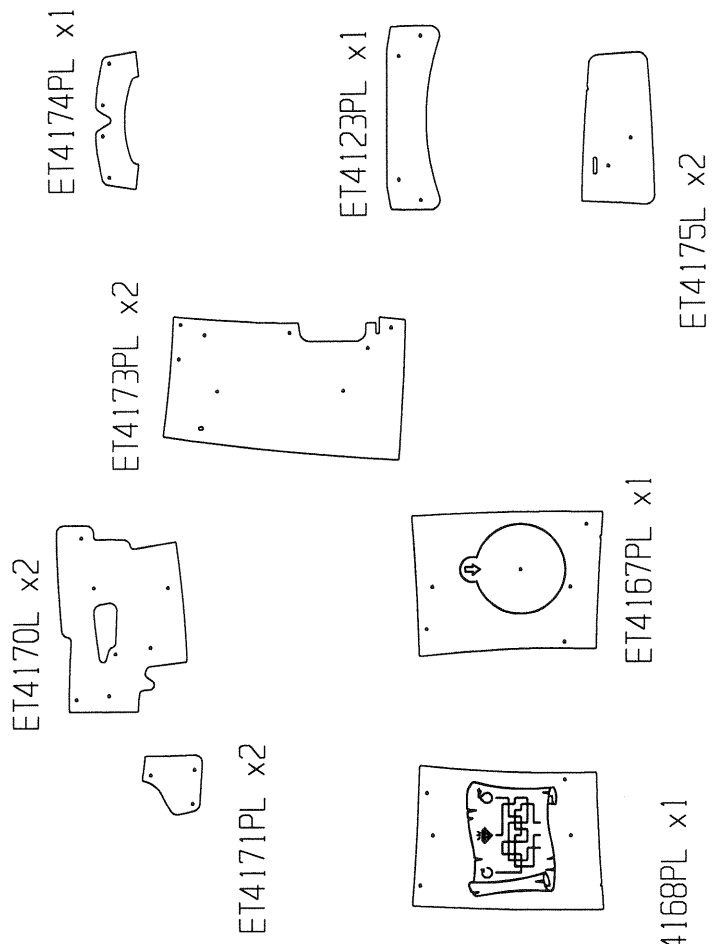
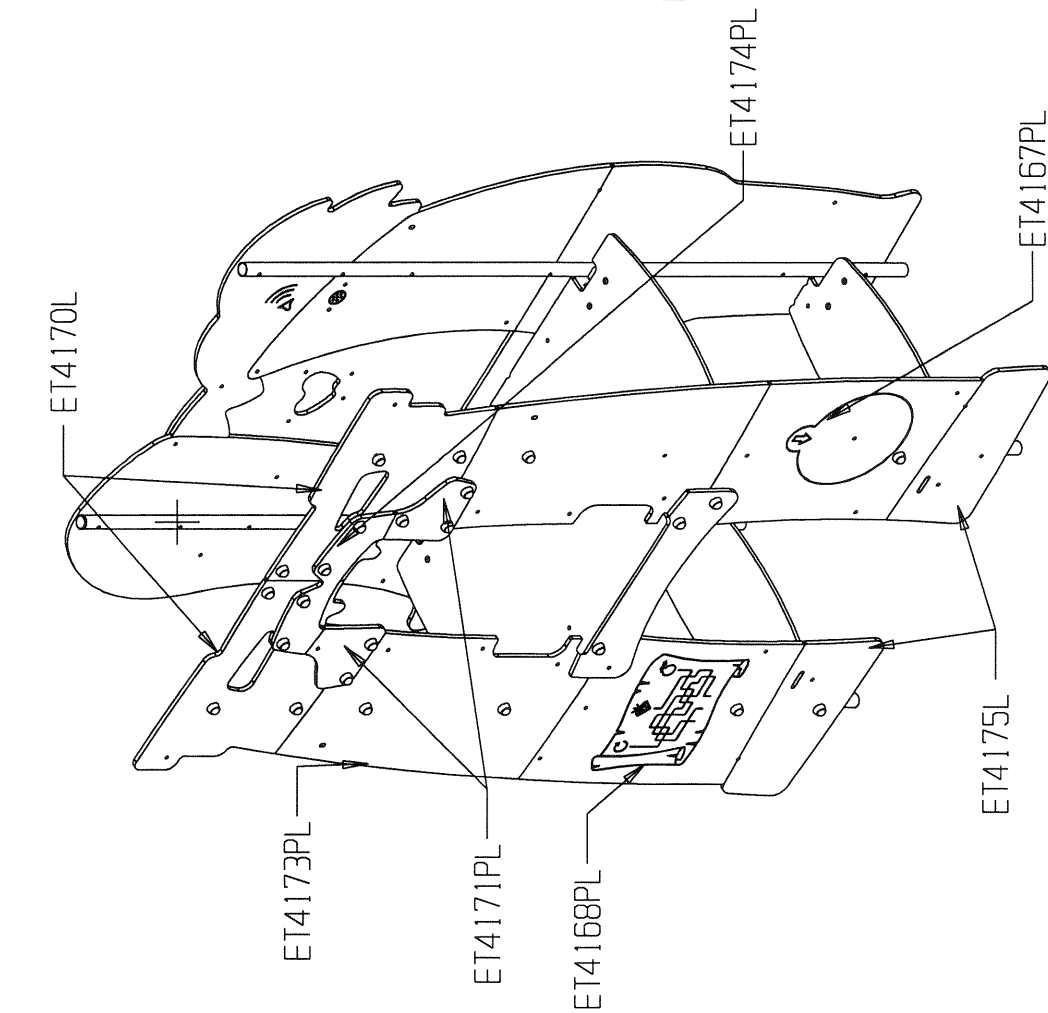




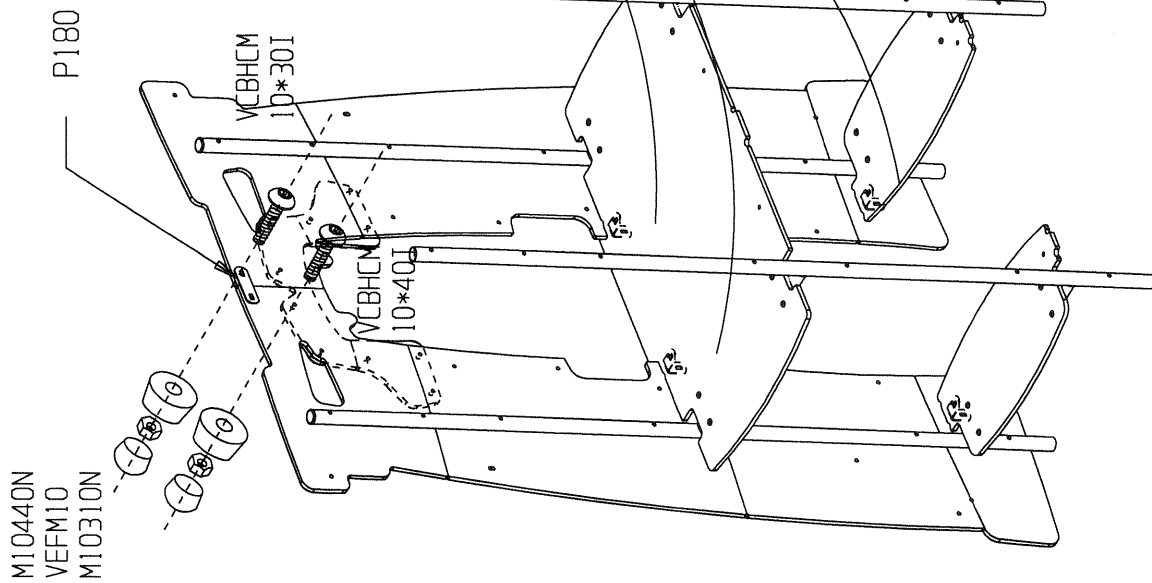
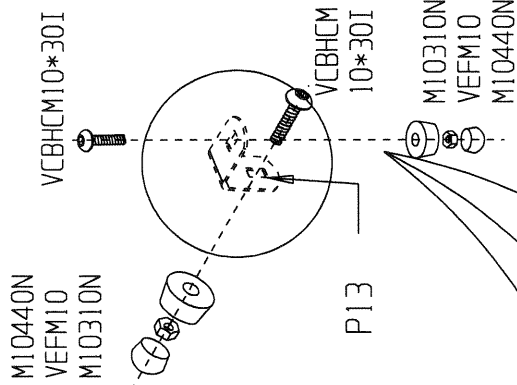
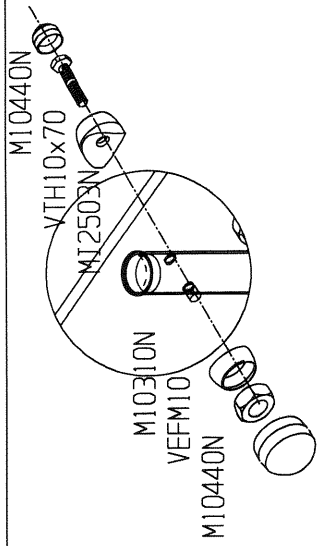
	M42	4
	VEFM10	16
	VCBHC M10*30I	16
	M10310N	16
	M10440N	16



	VCBHCM10*40I	8
	VTH 10x70	11
	MI2503N	11
	M10310N	19
	M10440N	30
	VEFM10	19
	180° :P180	1



	70 mm :P13	4
	P180	1
	VCBHC10*40I	12
	VCBHC10*30I	8
	VTH 10x70	9
	M12503N	9
	M10310N	29
	M10440N	37
	VEFM10	29



VCBH10*30

VCBH10*40

VTH10*70

VTH10*70

VTH10*70

VTH10*70

VTH10*70

ET4169PV x1



ET4176DF x1



ET4166PV x1



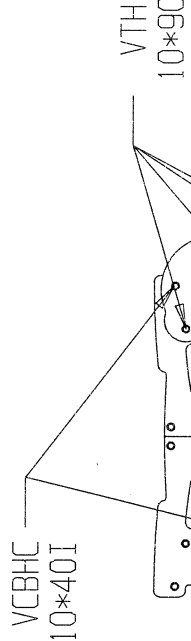
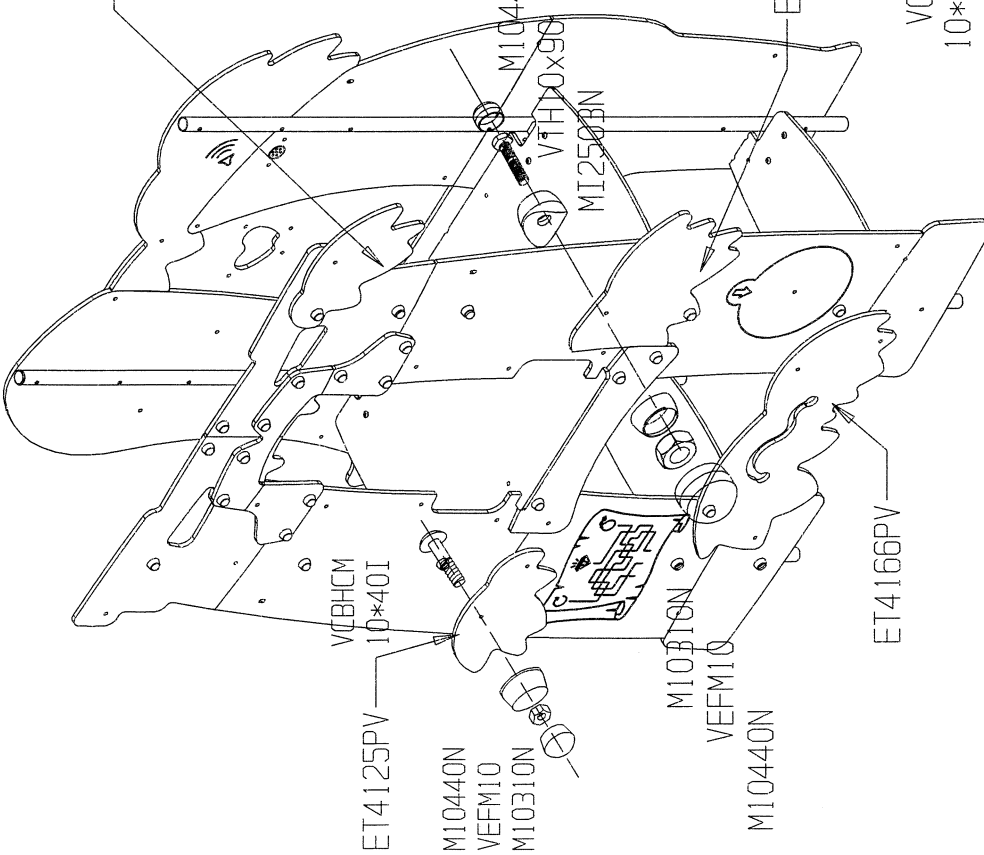
ET4125PV x2



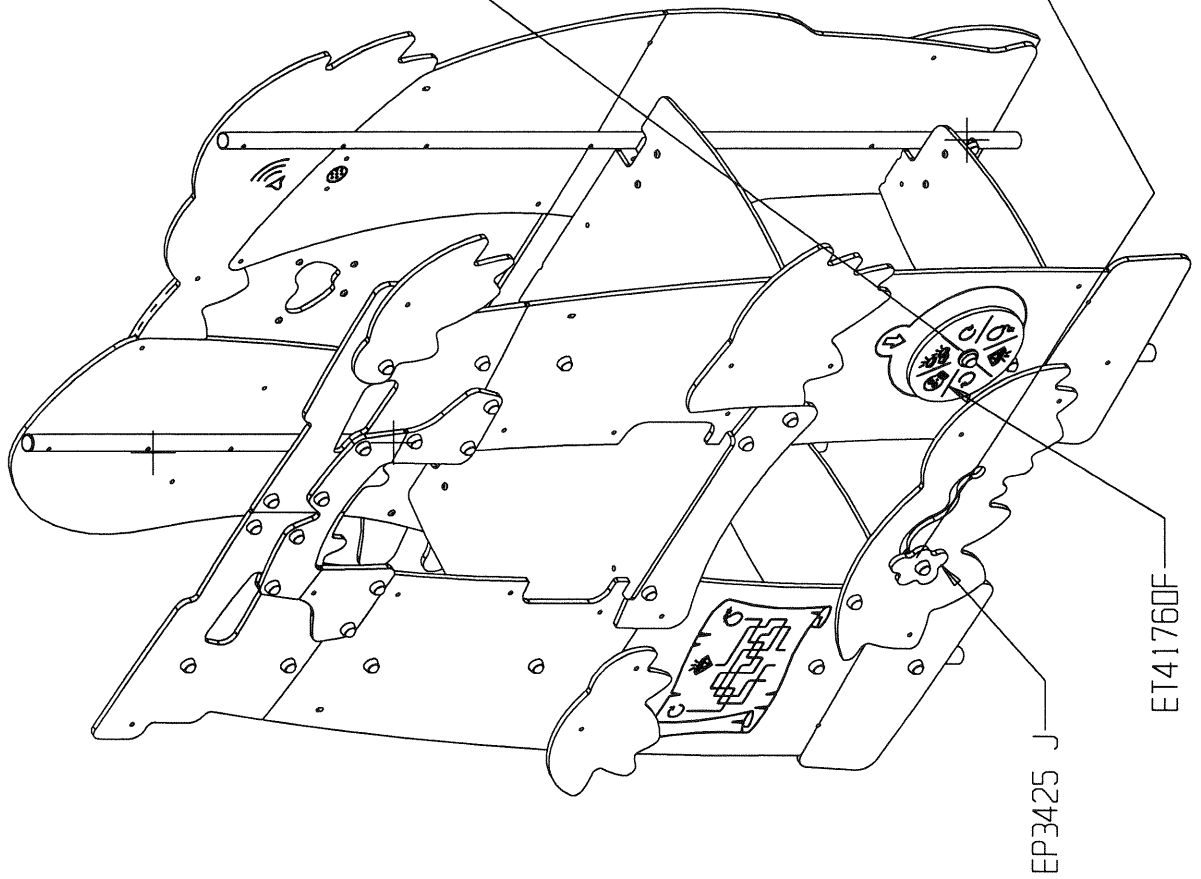
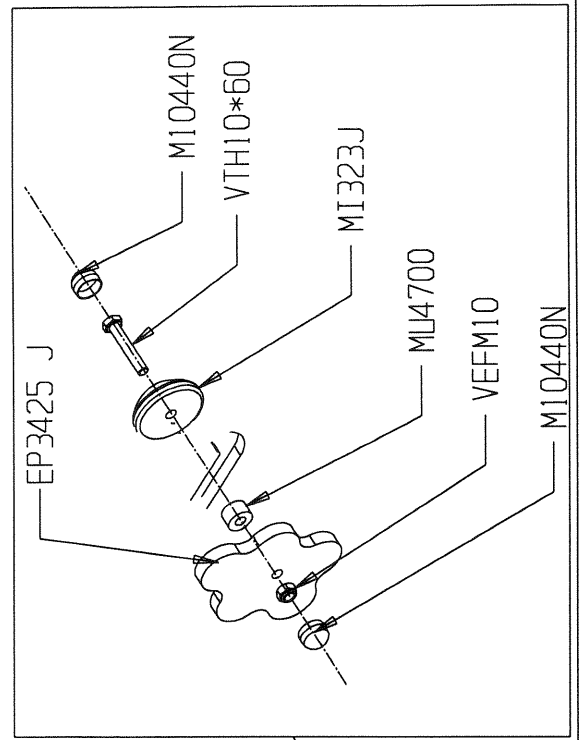
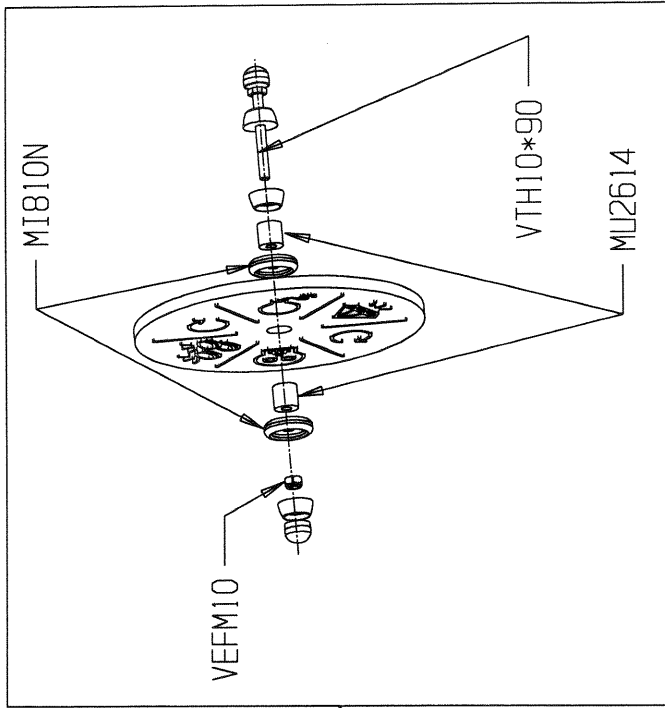
EP3425 J x1

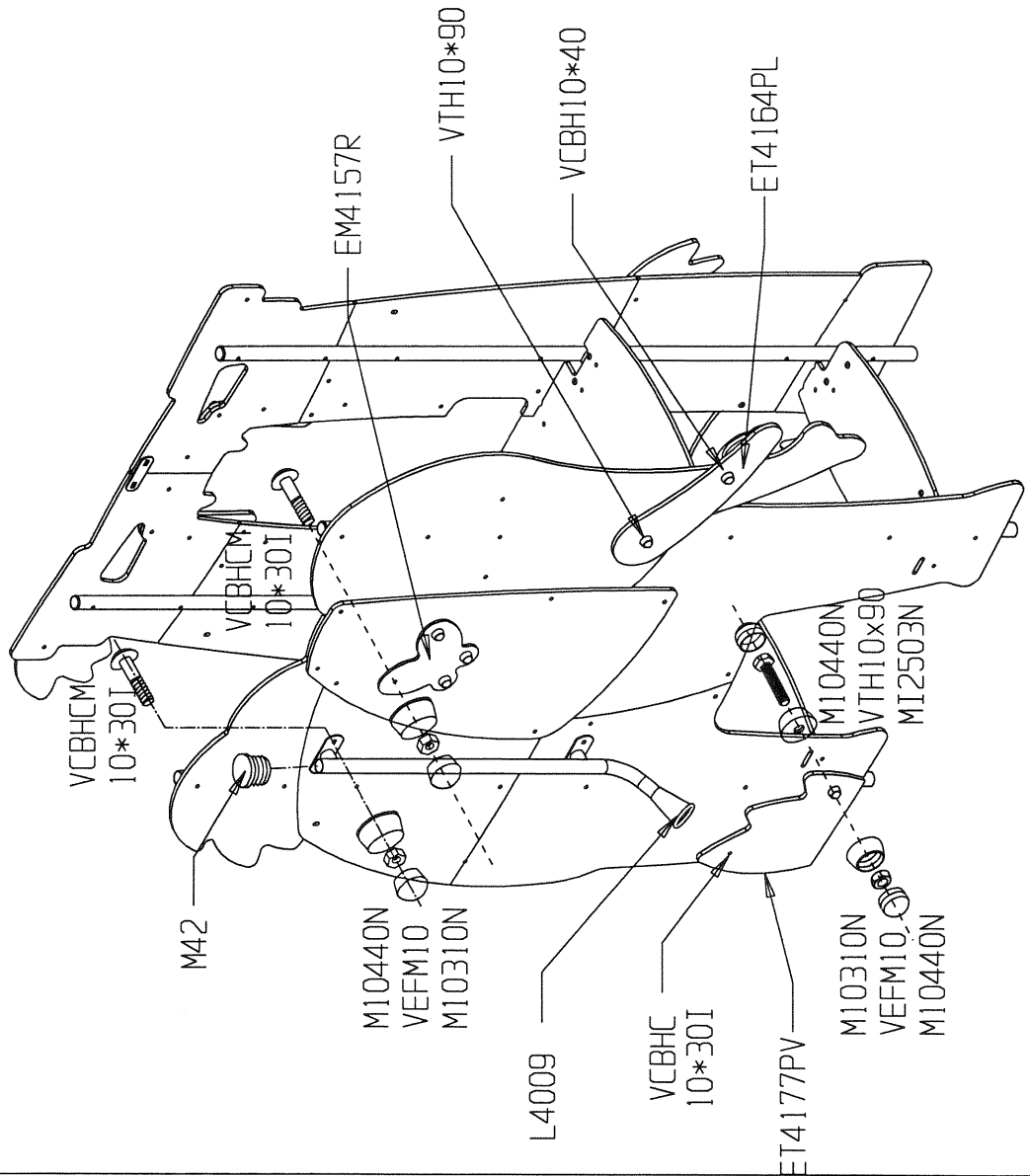
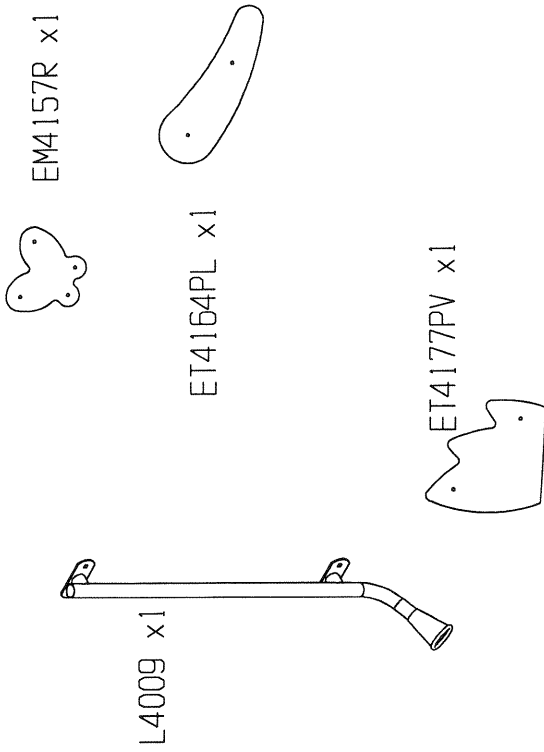


ET4125PV

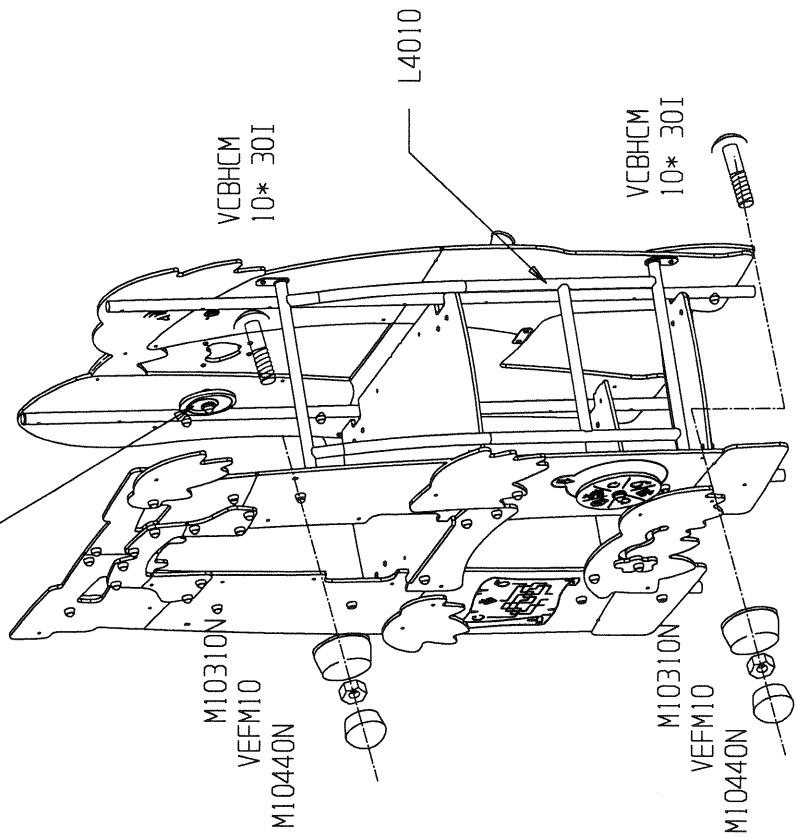
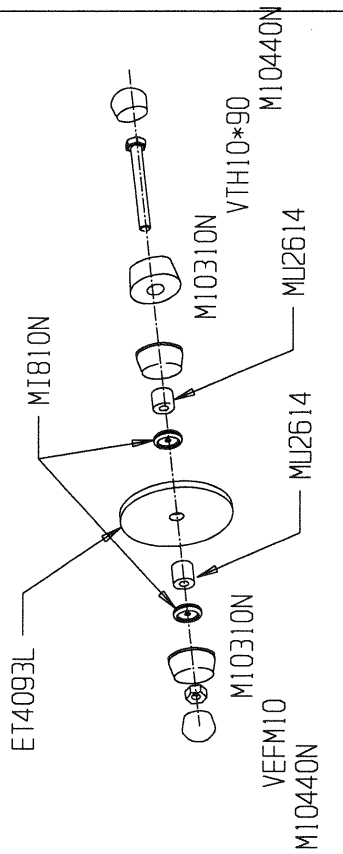
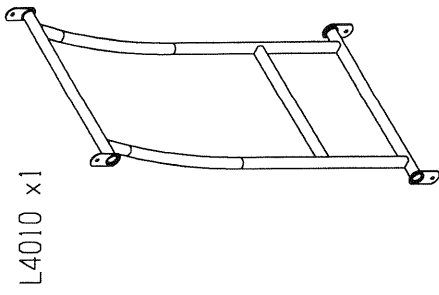


	VTH 10x90	4
	MJ4700	1
	MI810N	2
	VTH 10x60	1
	MI323J	1
	MJ2614	2
	VEFM10	11
	VCBHCM10*40I	6
	M10310N	14
	M10440N	15

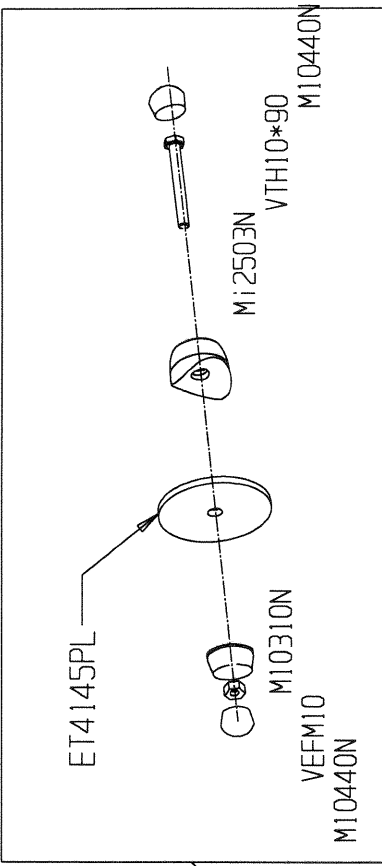




	VTH 10x90	2
	MI2503N	2
	M42	1
	VCBHC10*30I	10
	VEFM10	12
	M10310N	12
	M10440N	14

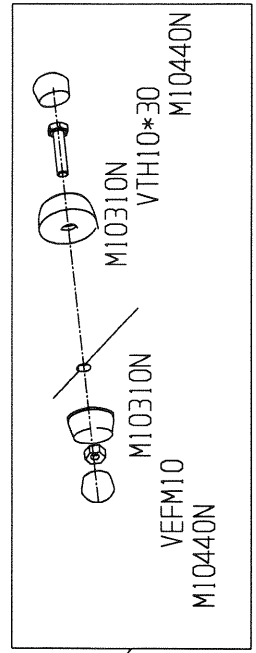
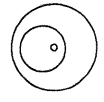


	MJ2614	2
	MI810N	2
	VEFM10	5
	M10310N	8
	M10440N	6
	VCBHCM10x30I	4
	VTH 10x90	1

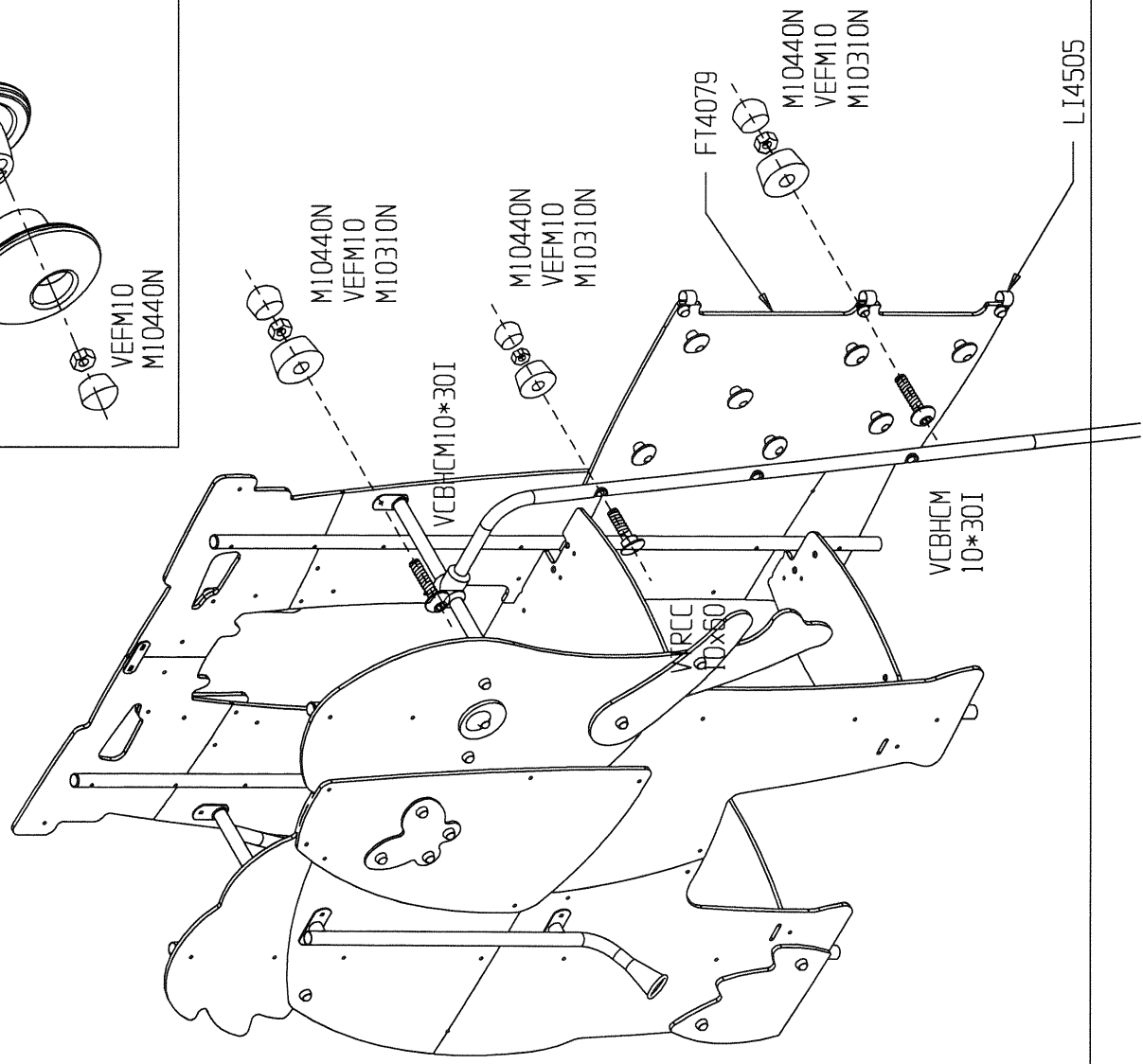
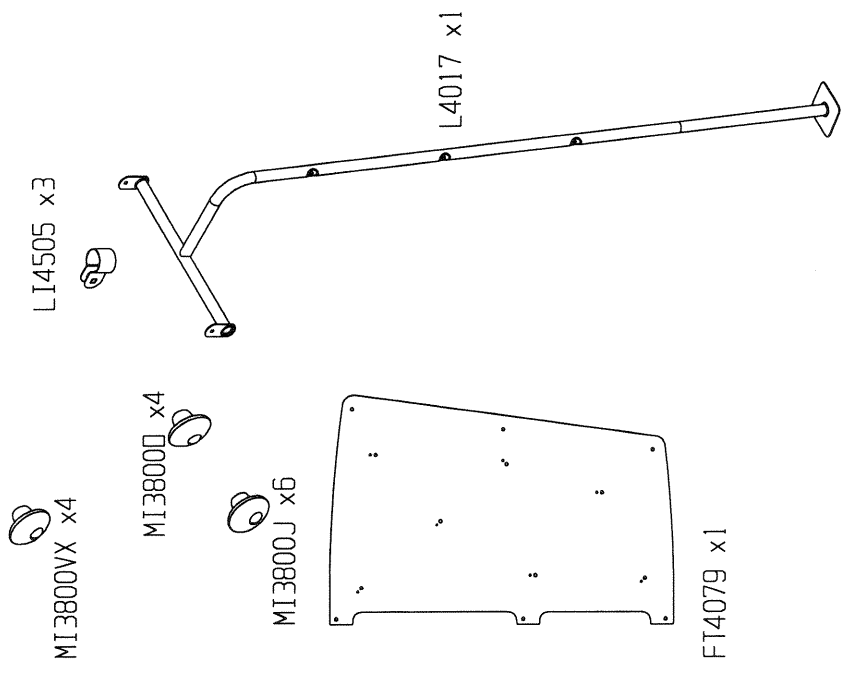
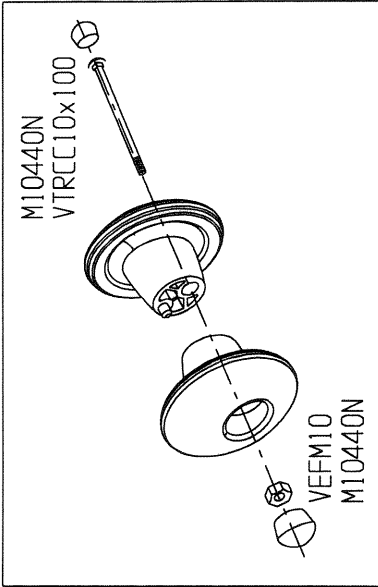


ET4145PL

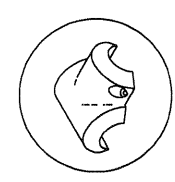
ET4145PL x1



	VTH_10x30	1
	VEFM10	2
	M10310N	3
	M10440N	4
	VTH_10x90	1
	M12503N	1



	VEFM10	15
	M10310N	7
	M10440N	22
	VCBHCM10x30I	5
	VCBHCM6x25I	4
	VEBMB	4
	VTRCC10x100	7
	VTRCC10x60	3



MI2502N X 2

