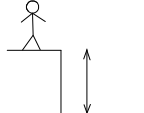
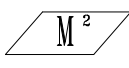
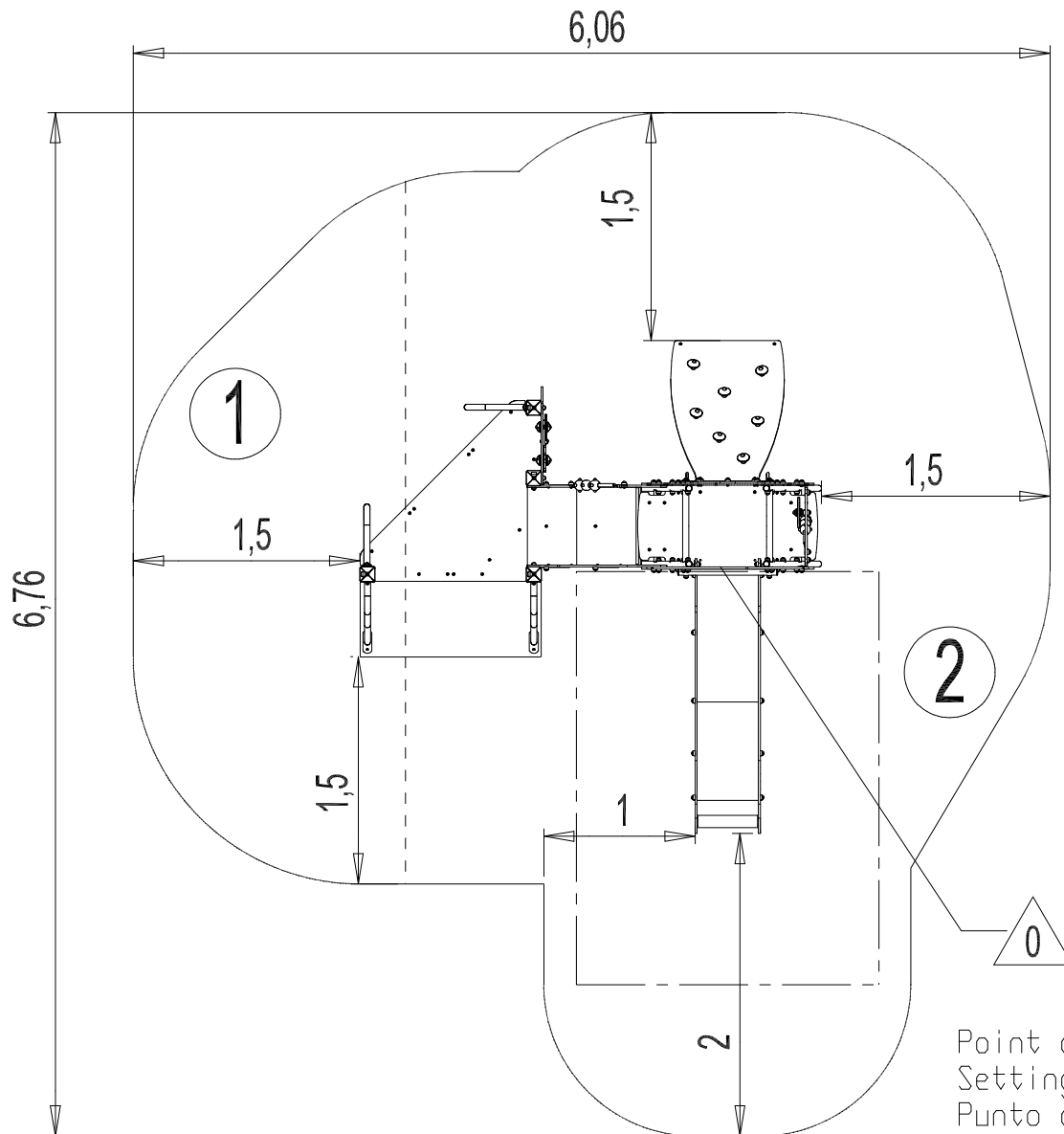


N°		
①	0.6 m	7 m ²
②	1 m	23.5 m ²

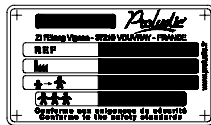
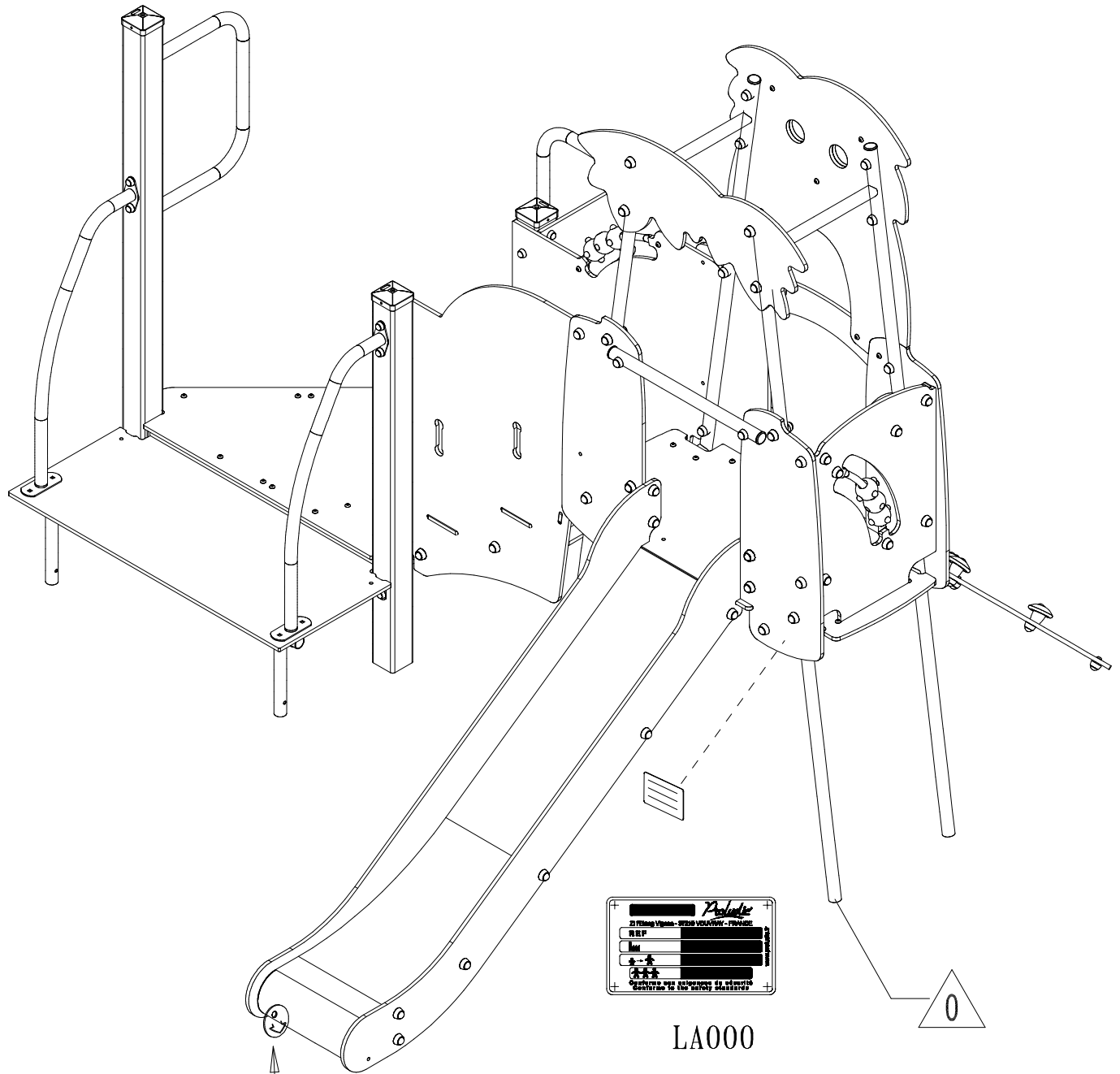
— Zone d'Impact
 Impact Area
 Area de Impacto
 Fallraum
 Valzone

EN 1176-1 : 2017
 EN 1176-3 : 2017

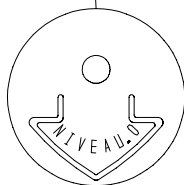
— Espace libre
 Free Space
 Espacio Libre
 Freiraum
 Vrije ruimte



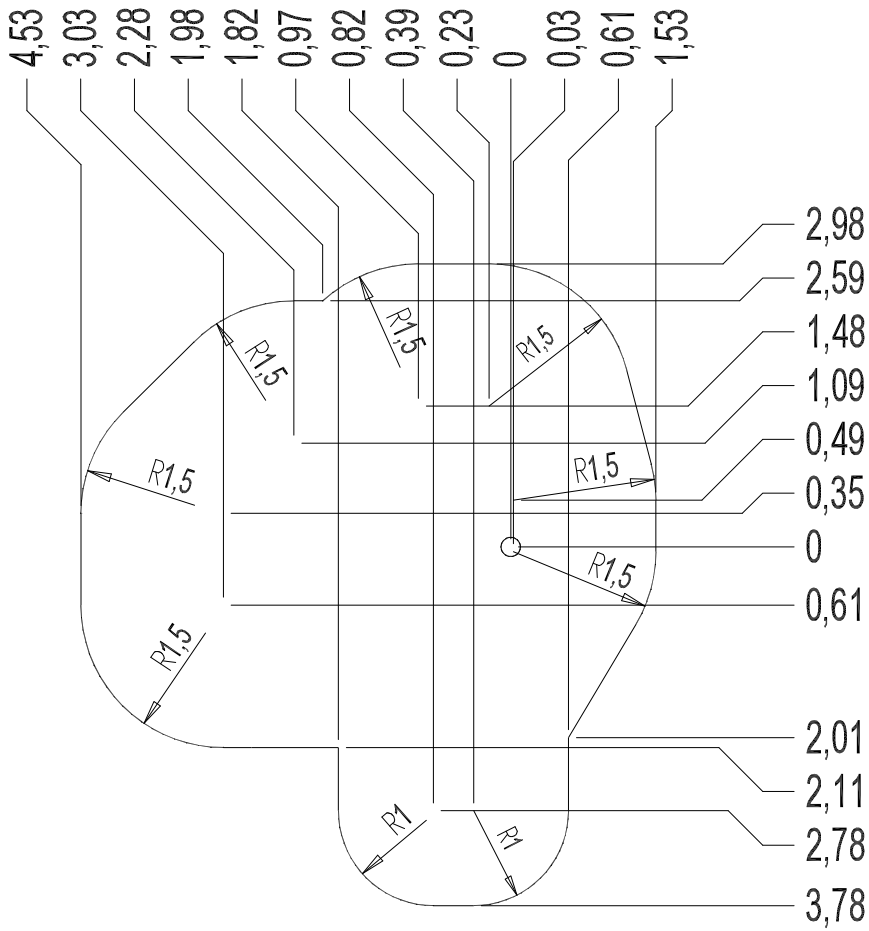
Point de Référence
 Setting Out Point
 Punto de referencia
 Bezugspunkt
 Referentiepunt



LA000

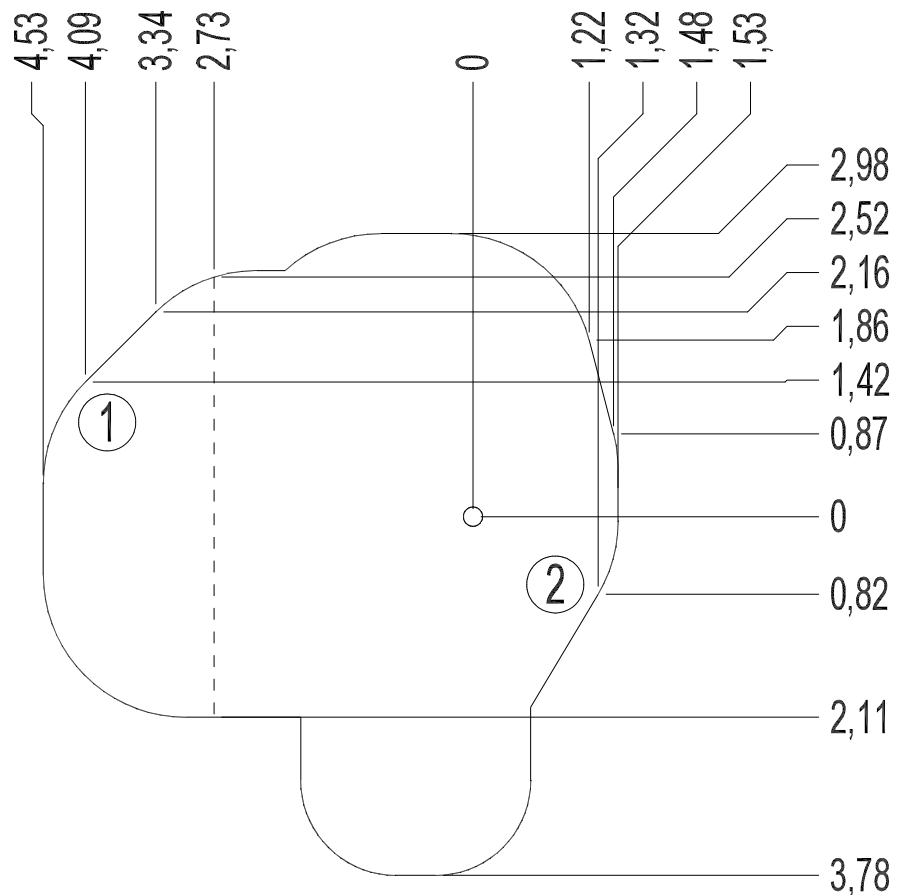


MI0002



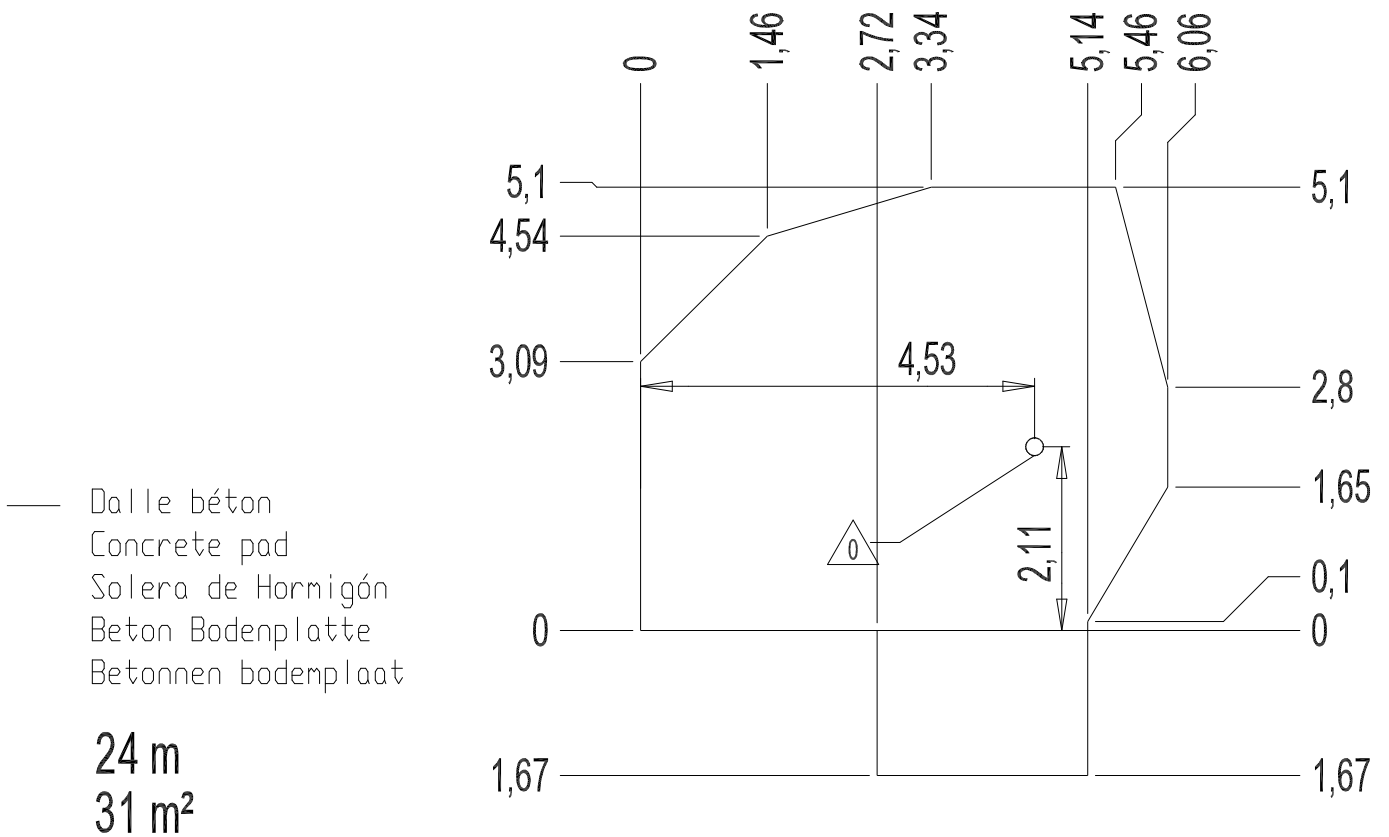
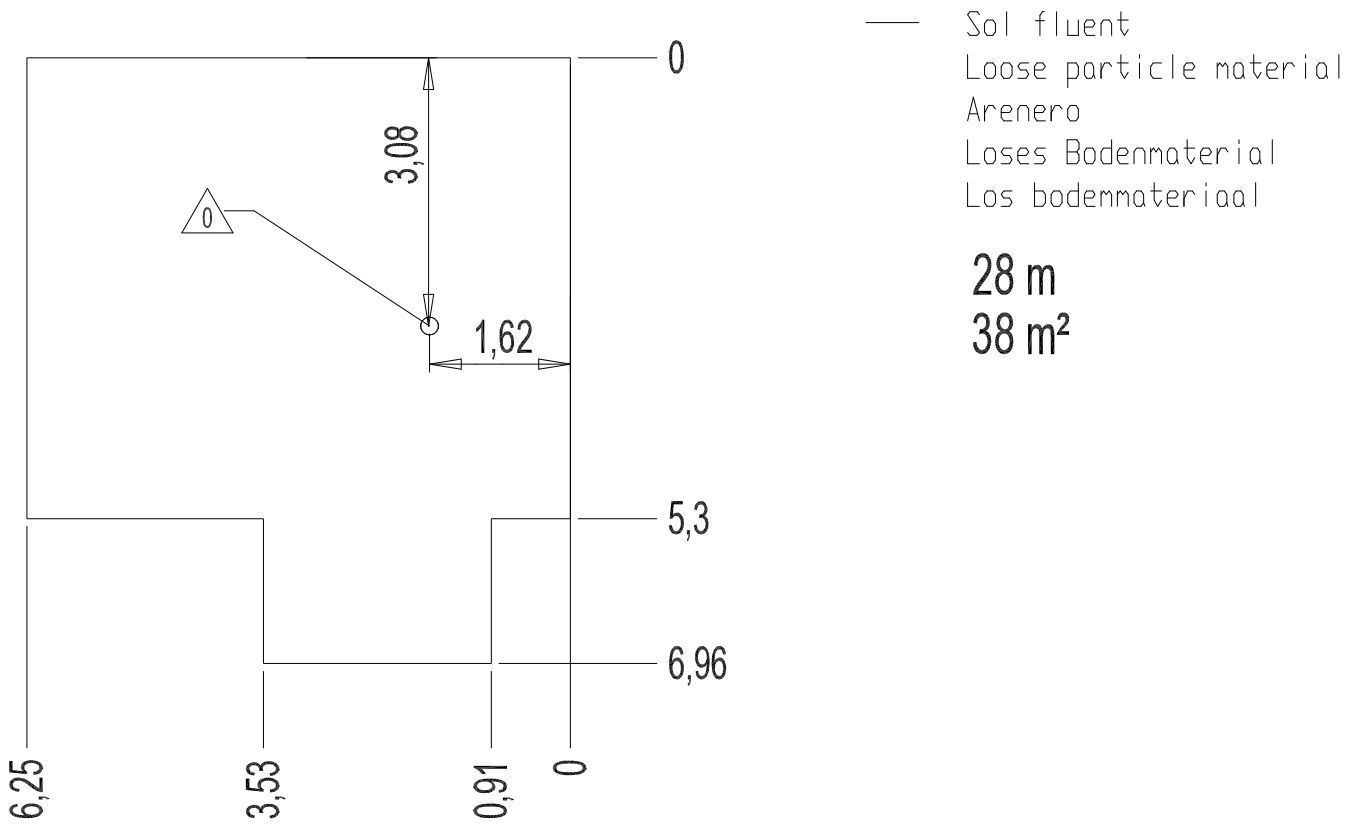
— Zone d' Impact
 Impact Area
 Area de Impacto
 Fallraum
 Valzone

30.5 M²

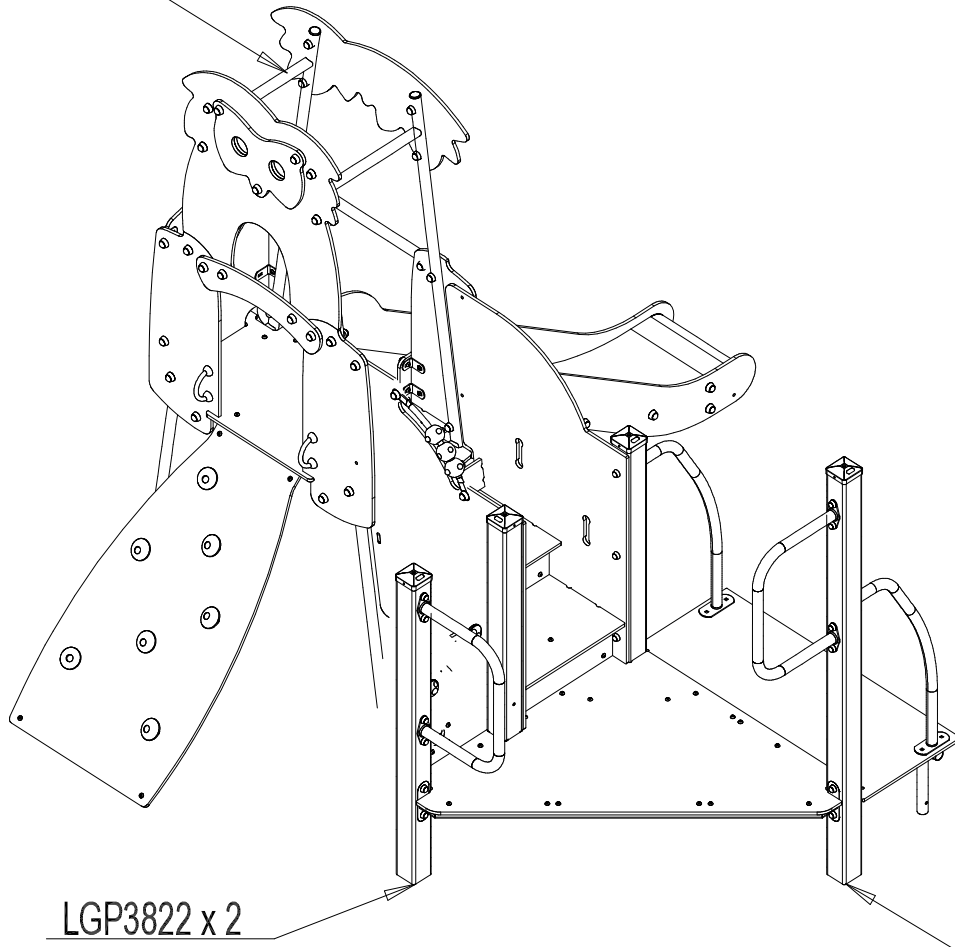


— Sol souple
 Wetpour
 Caucho Continuo
 Synthetischer Fallschutz
 Gietvloer

30.5 m²

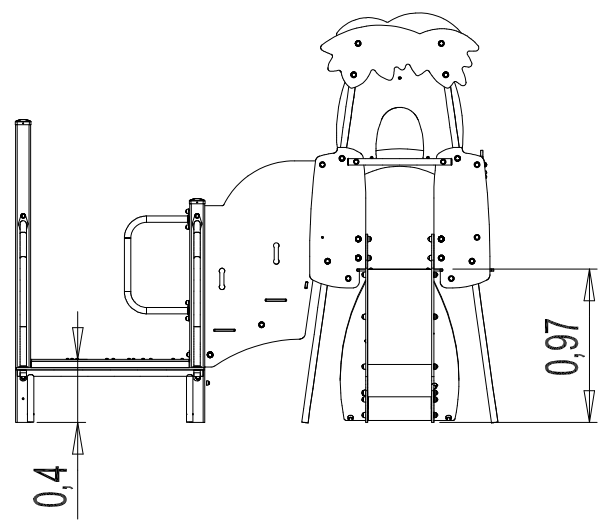
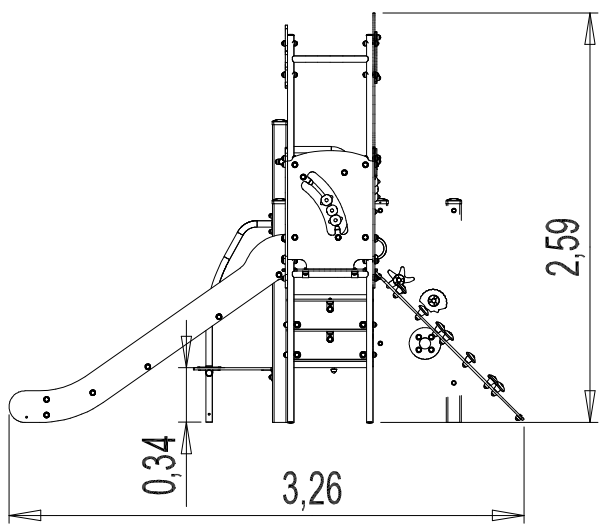


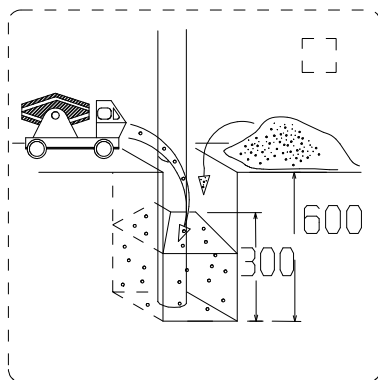
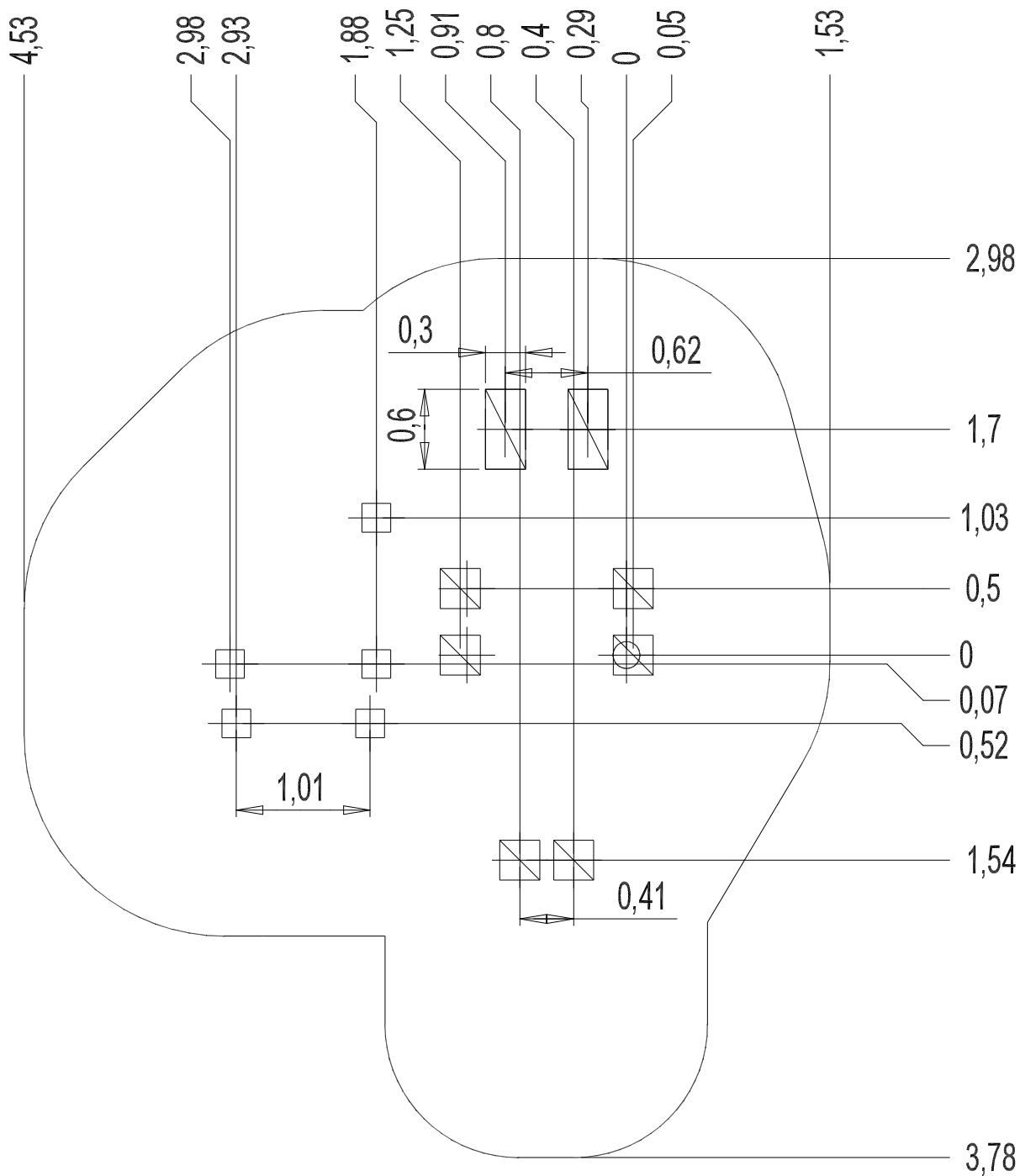
LG4002 x 2



LGP3822 x 2

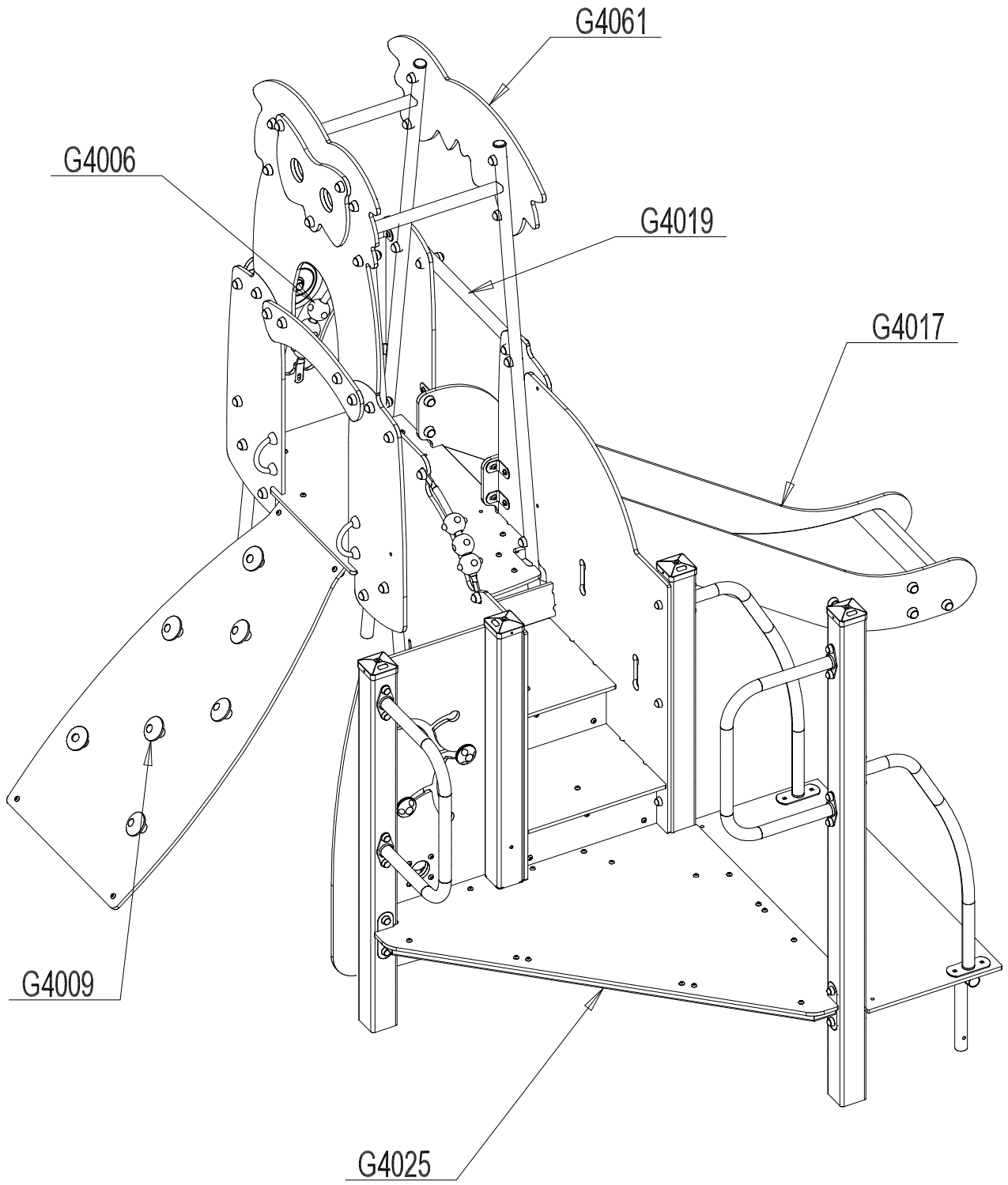
LGP9141

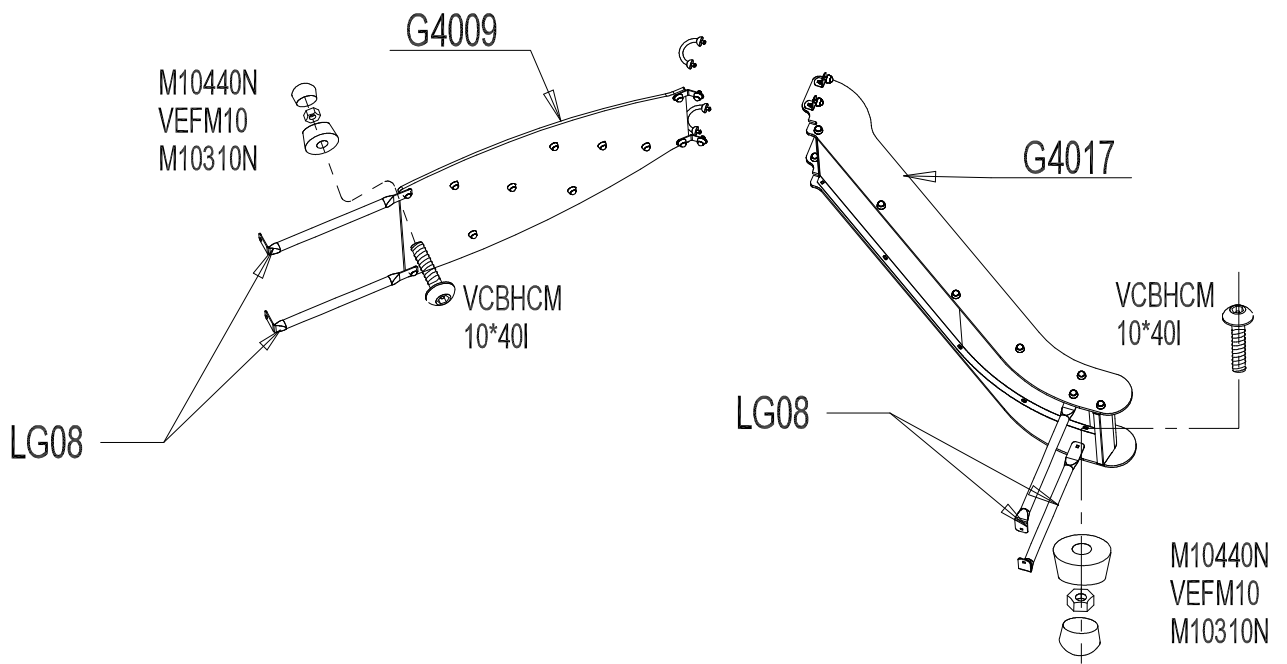
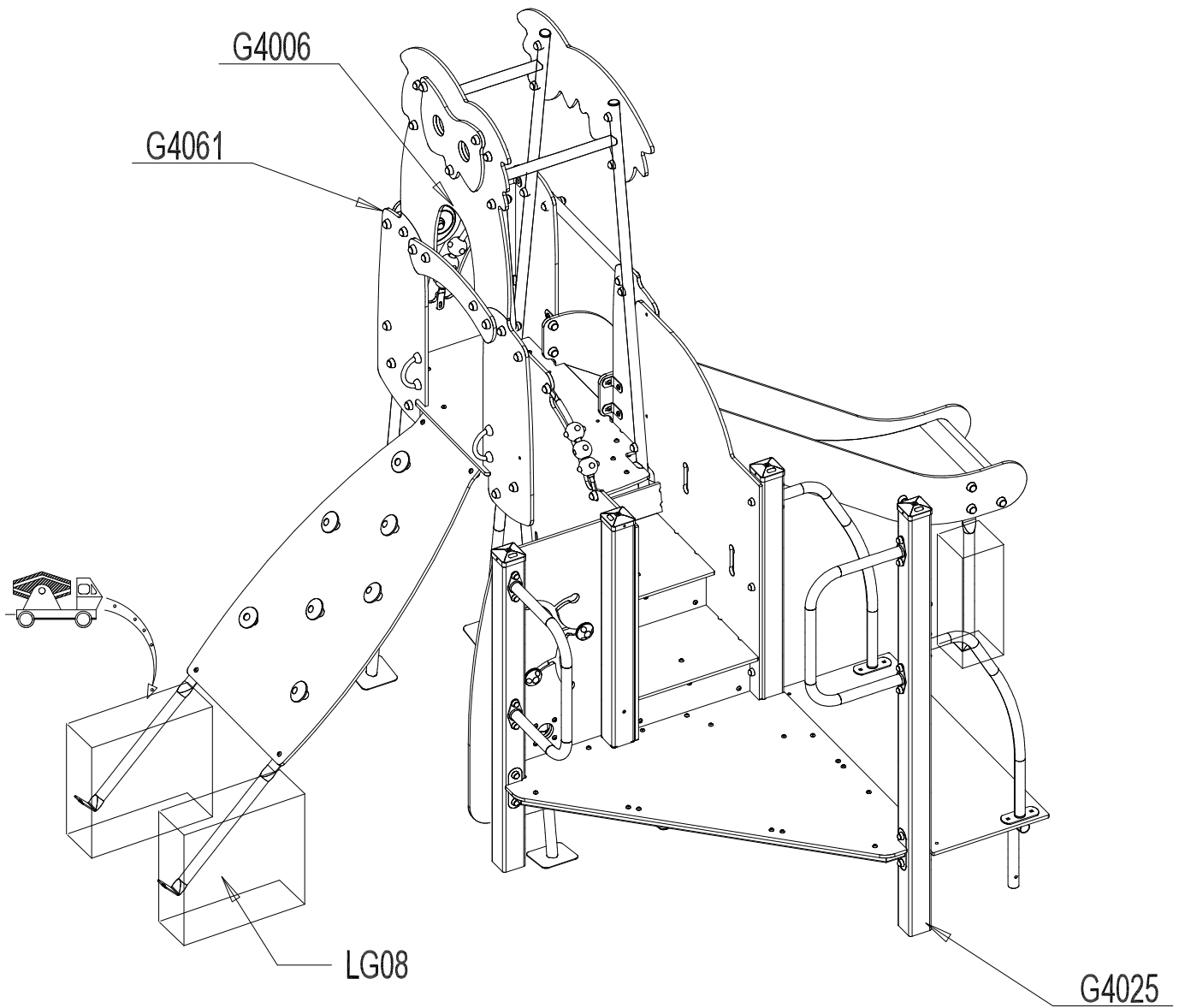


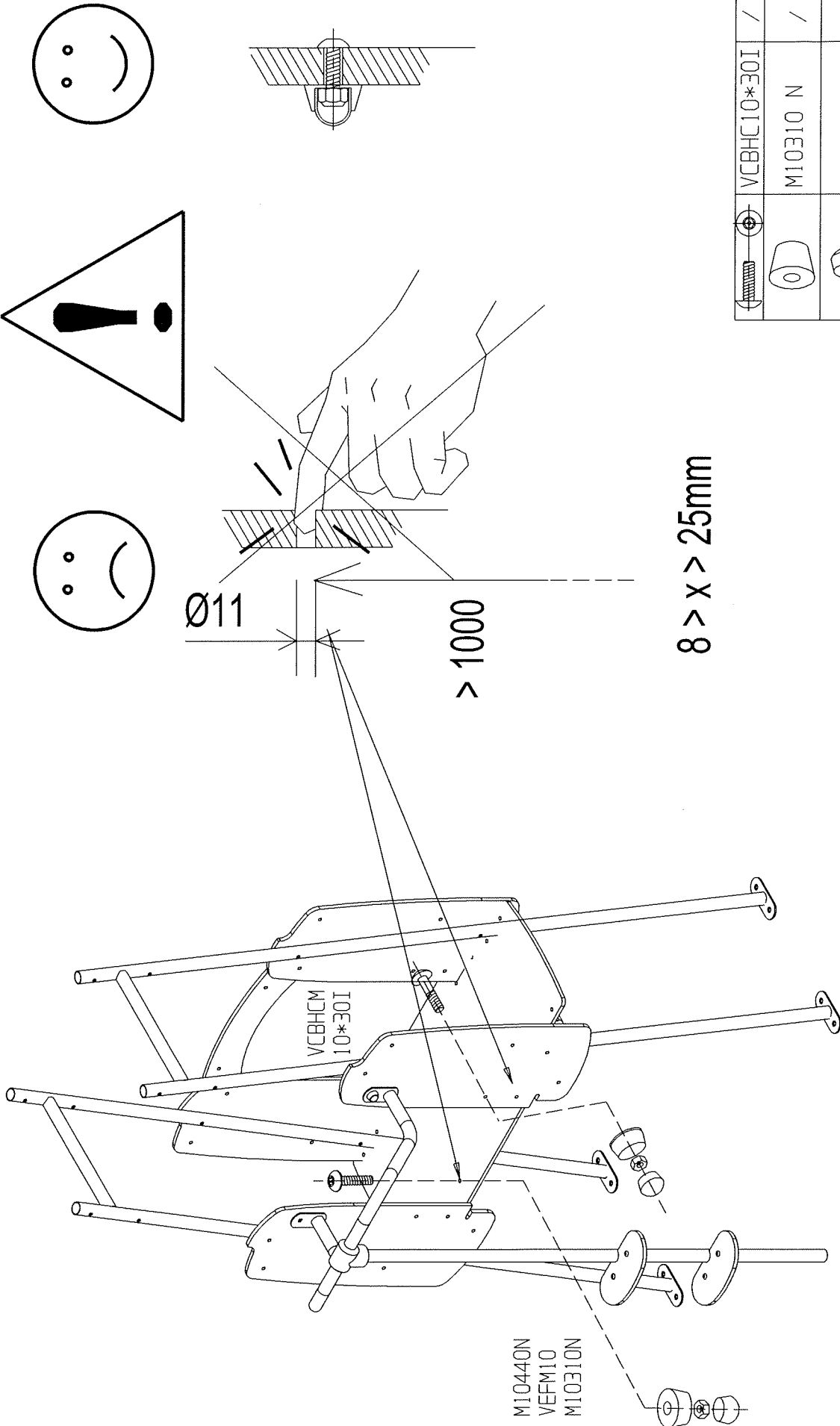


Implantation
 Footing plan
 Implantación
 Fundamentplan
 Funderingstekening

x2	8H	0.4 m ³
----	----	--------------------



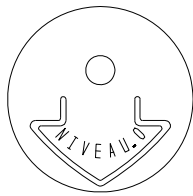




	VCBHCM10*30I	/
	M10310 N	/
	M10440 N	/
	VEFM10	/

A

Proludic



MI0002

VCBHCM10

M10310N
VEFM10
M10440N

LG08

M10440N
VEFM10
MI2503

LG3802

M10440N
VTH10*80
MI2503

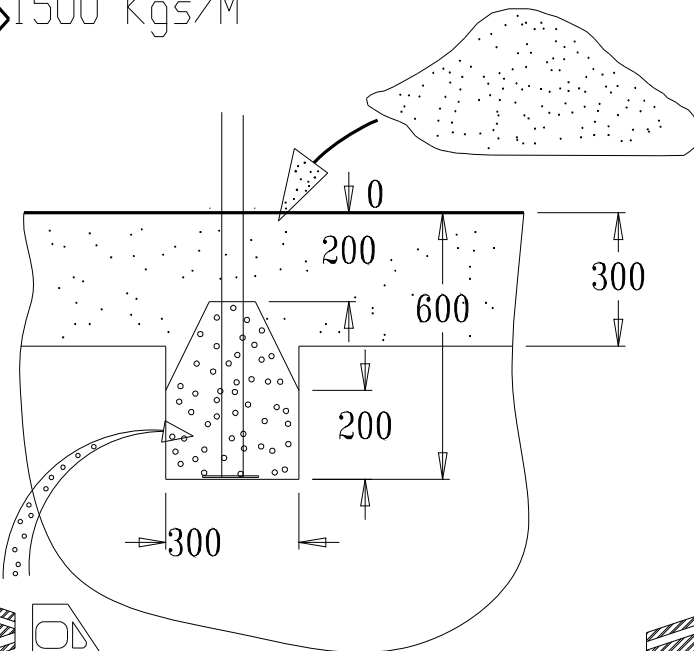
LG3804



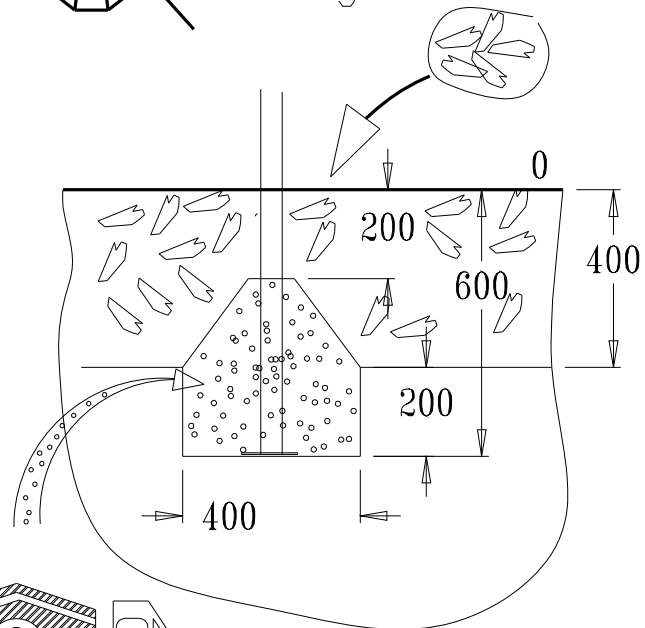
> 1500 Kgs/M³



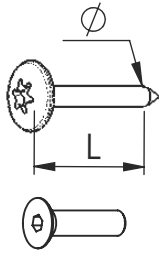
< 1500 Kgs/M³



50 Kgs

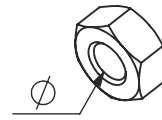


90 Kgs

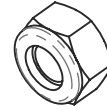


VBT 6 x 30
 \varnothing \uparrow L (mm)

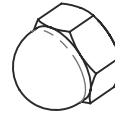
VFHC



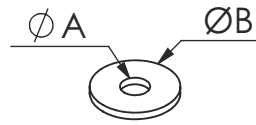
VEC M10
 \varnothing



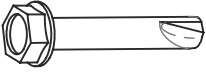
VEF




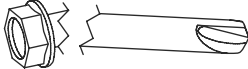
VEB



VR6x18
 $\varnothing A$ $\varnothing B$




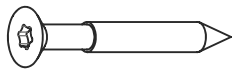
VTHA

1000 - 1800 tr/min
 Vitesse de rotation
 Rotation speed

14 N.m
 Couple de rupture
 Torque of break

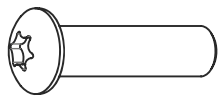




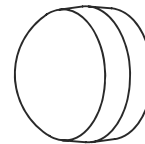
VWT



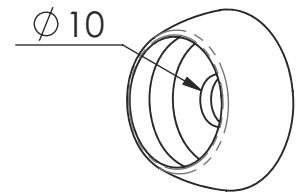
VGC



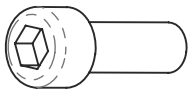
VCBHC



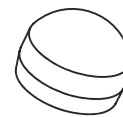
M10 440N



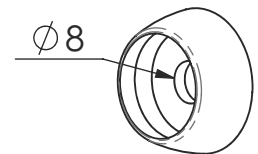
M10 310 N



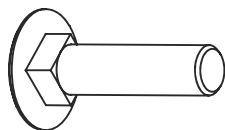
VBTR



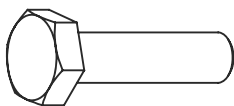
M8440N



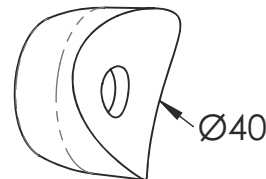
M8310N



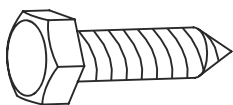
VTRCC



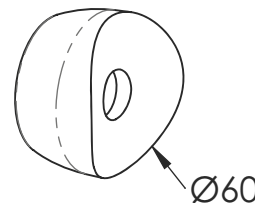
VTH



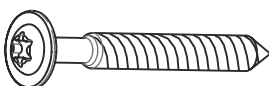
MI2503



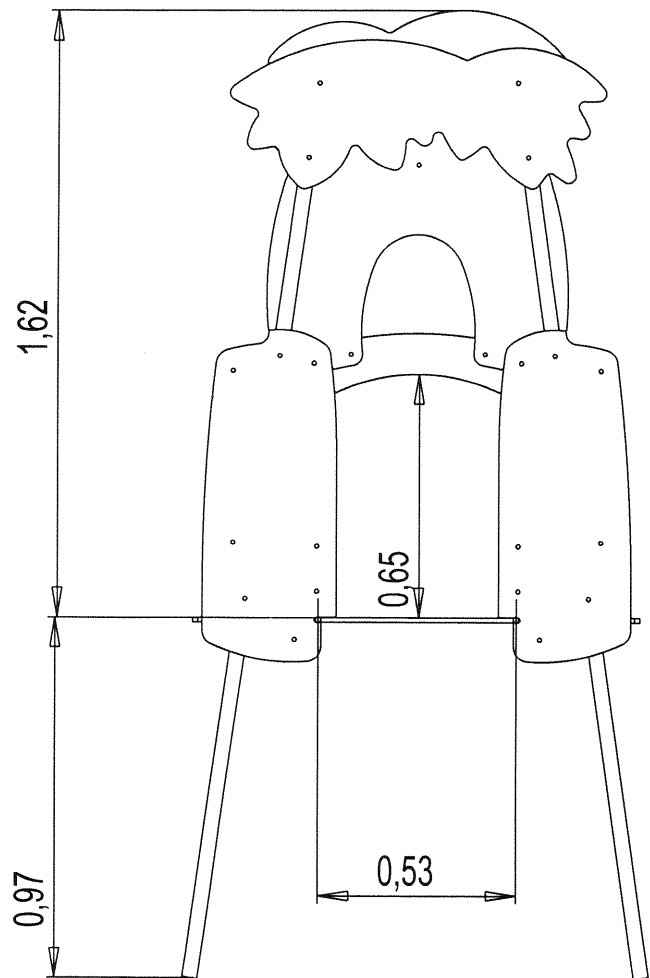
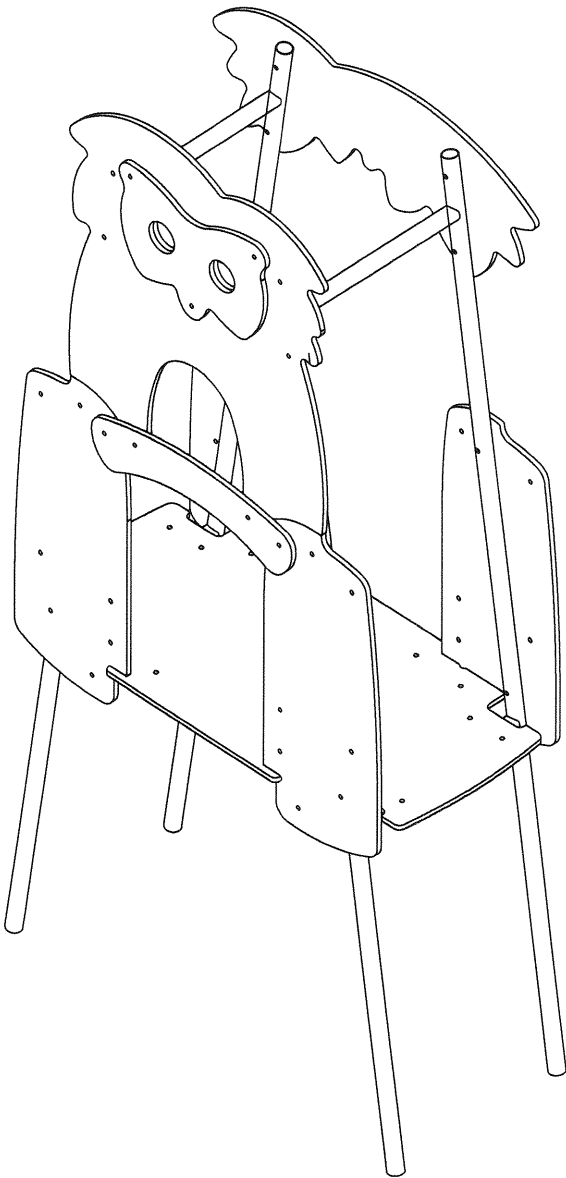
VTF



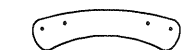
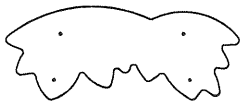
MI2701



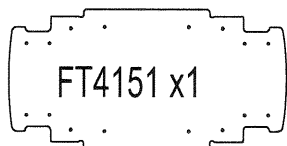
VBT



ET4033PV x1

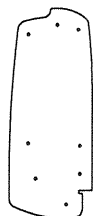


ET4026PL x1



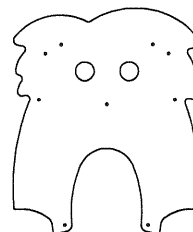
FT4151 x1

ET4032L x1

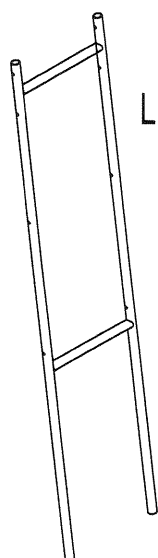


ET4152L x4


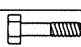

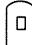

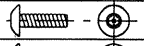
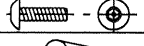
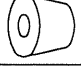


ET4153PV x1



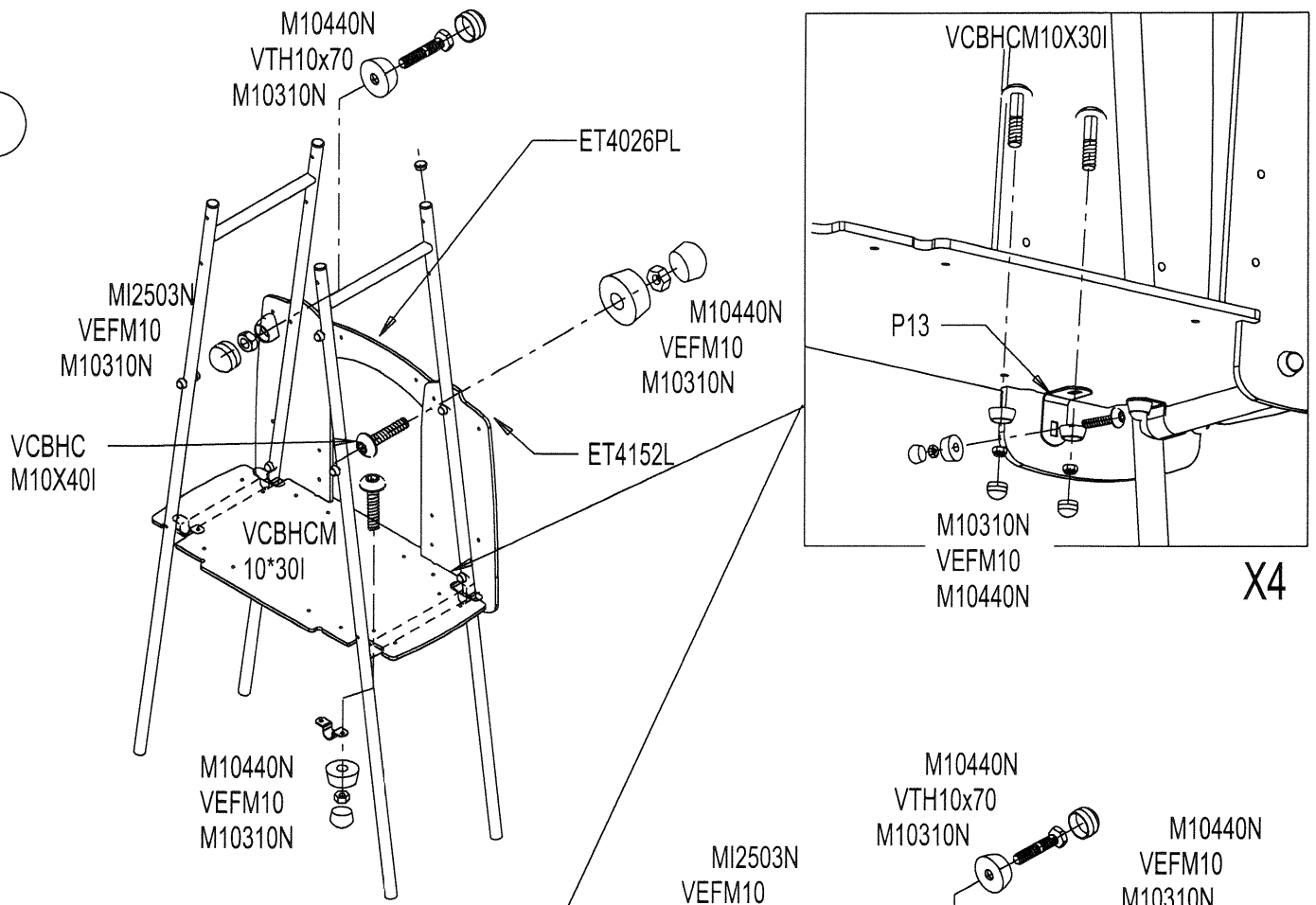
LI2610
x4



LG4002 x2

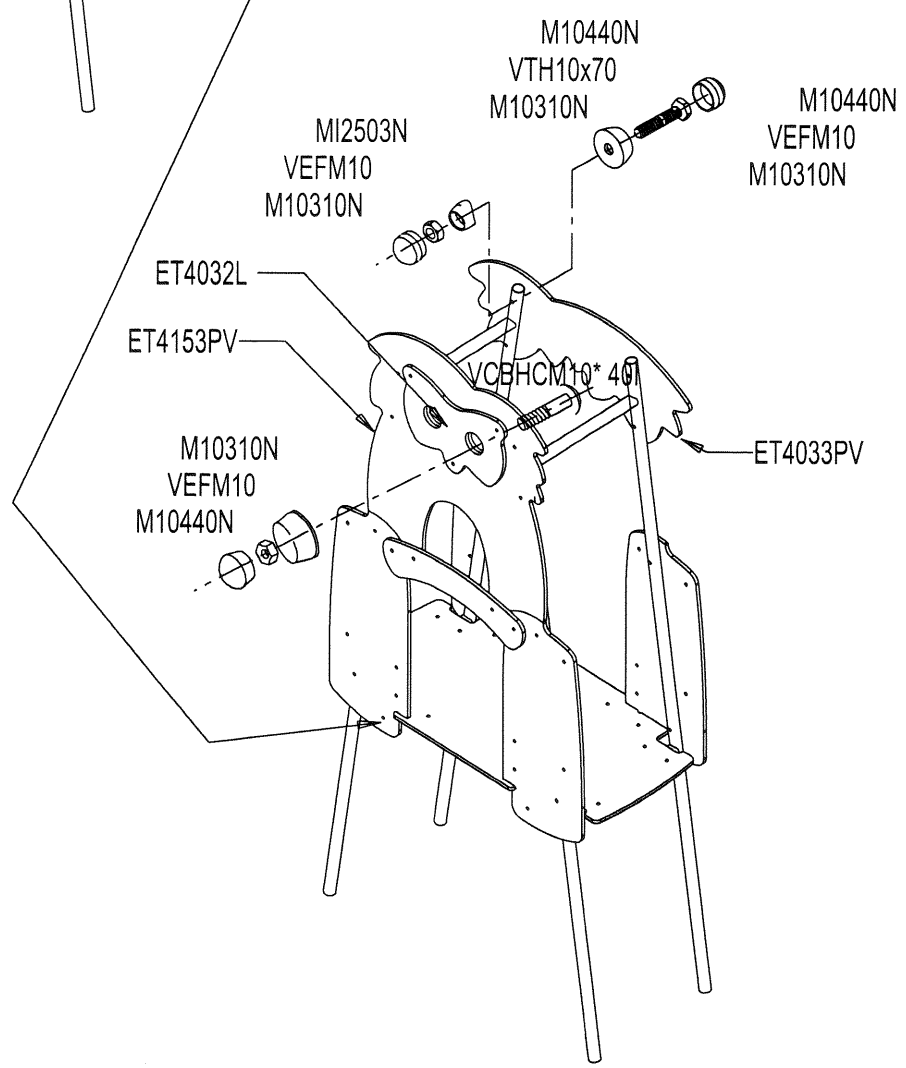
	MI2503N	16
	VTH 10x70	16
 90° 	70 mm :P13	4
	M42	4
	VCBHCM10*30I	16
	VCBHCM10*40I	7
	M10310N	39
	M10440N	55
	VEFM10	39

1

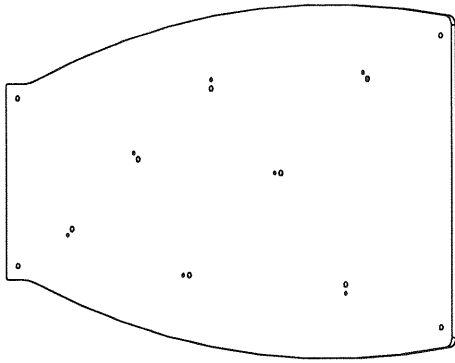


X4

2



FT4155 x1



MI800 x2



P135 x2



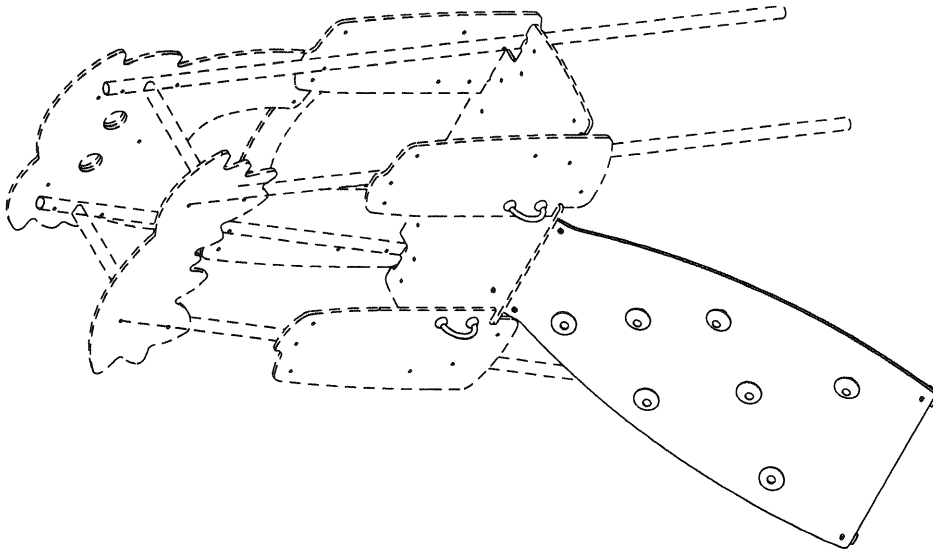
MI3800VX x3



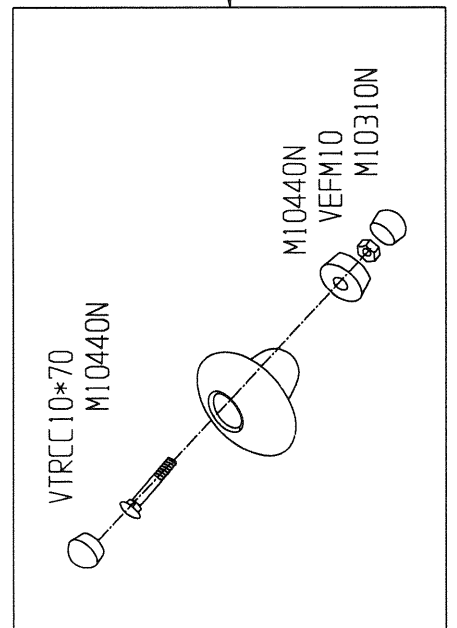
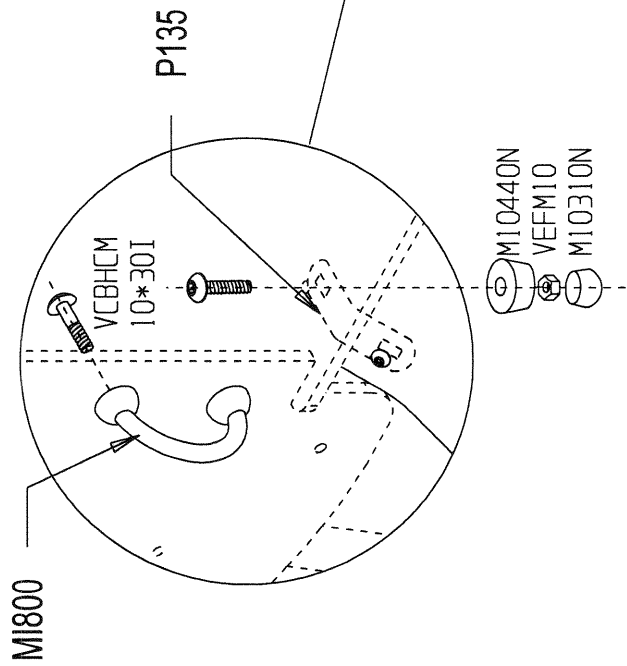
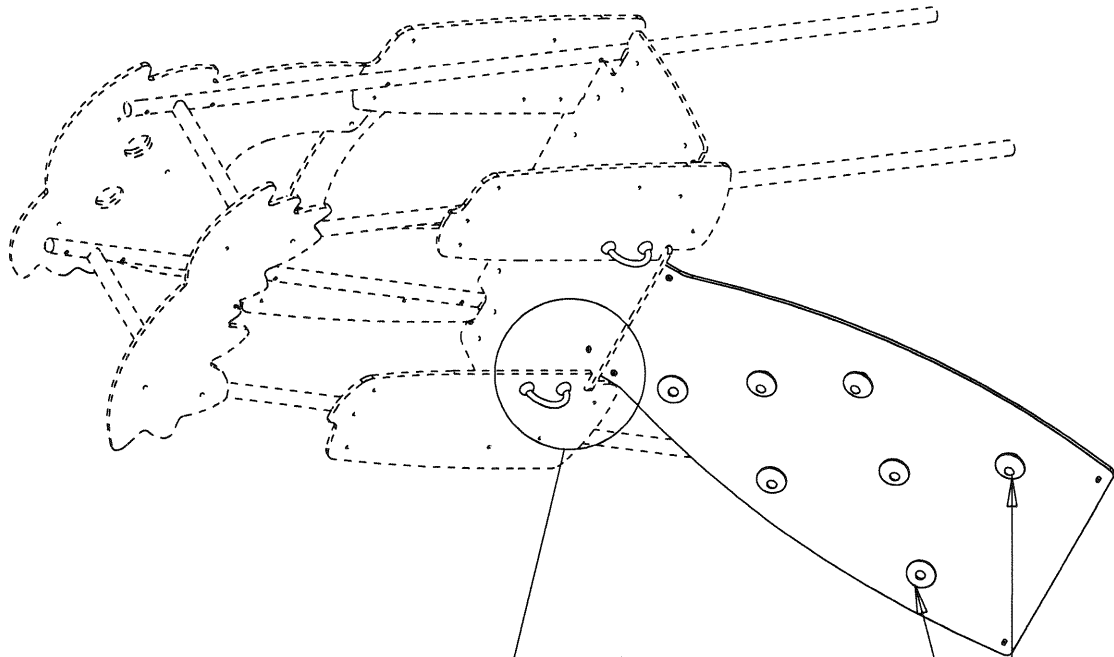
MI38000 x2

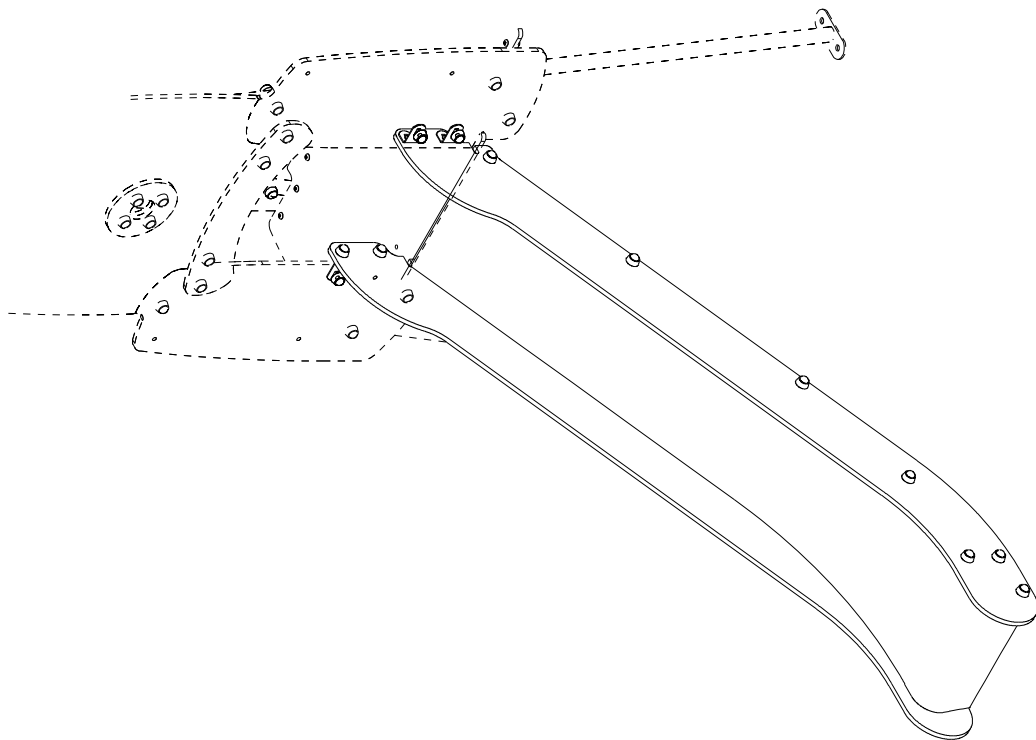


MI3800J x2

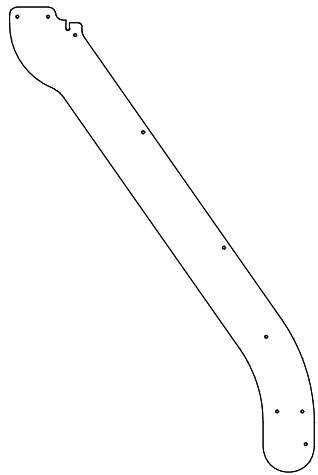
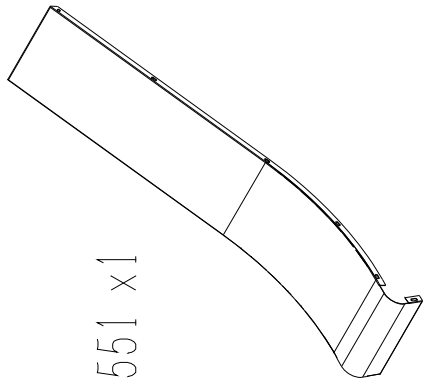


	VTRCC 10x70	7
	VCBHC10*30I	8
	M10310N	11
	M10440N	18
	VEFM10	11



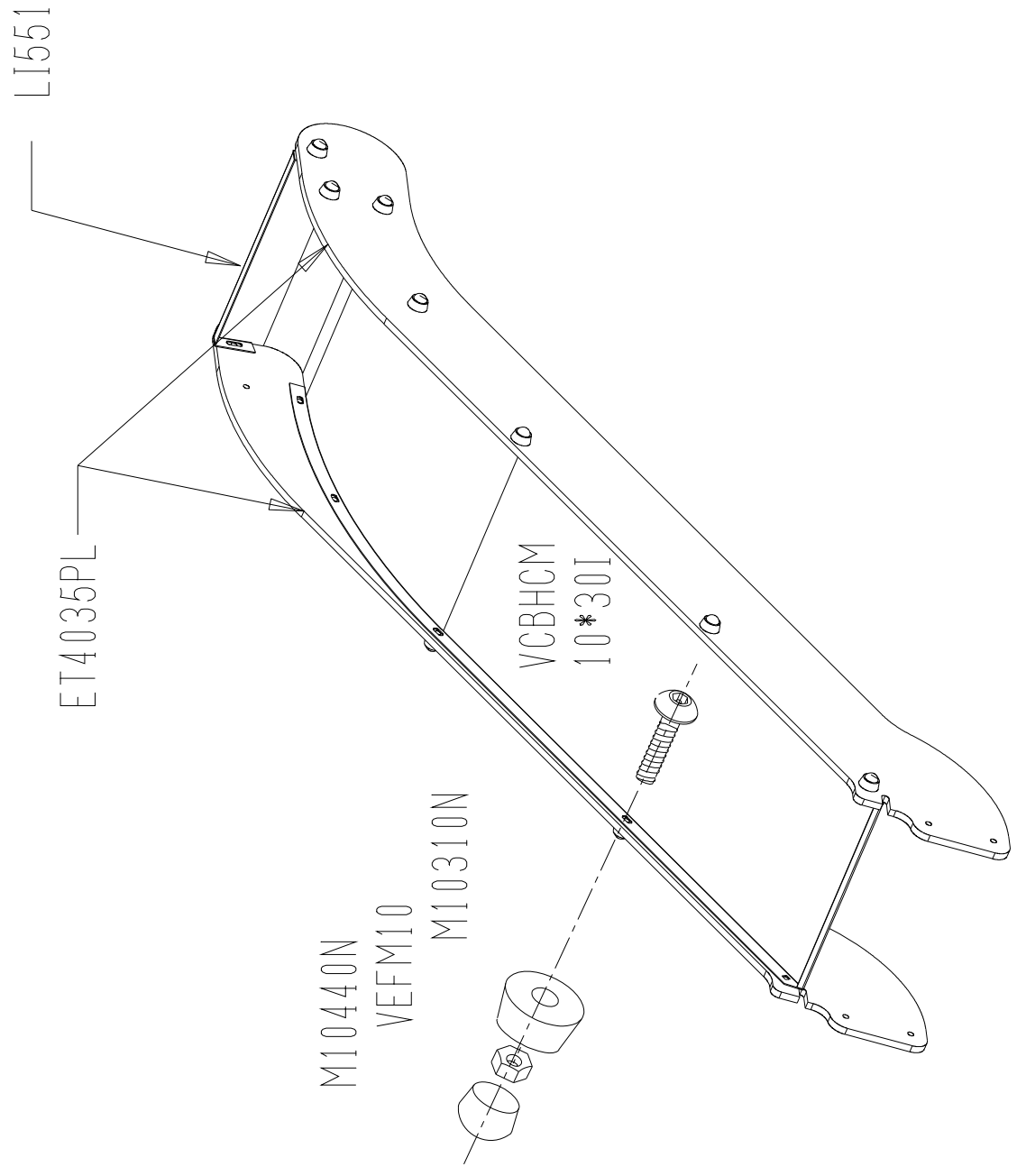


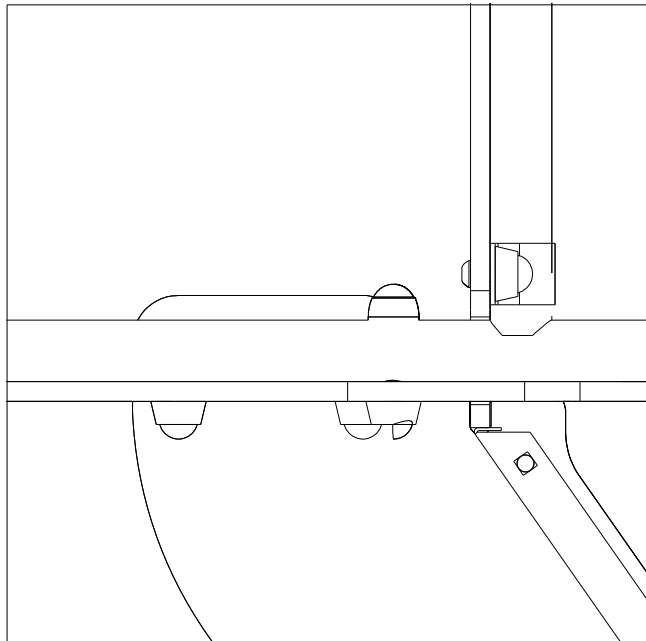
LI551 x1



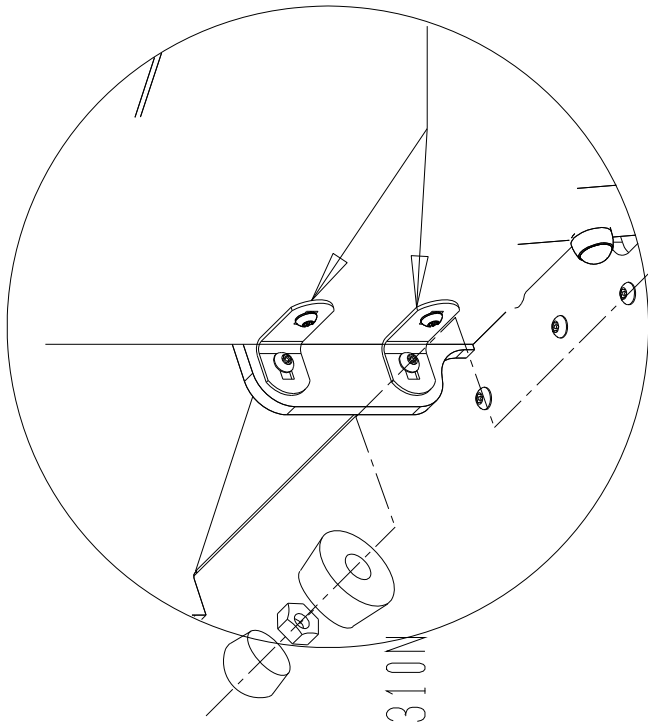
ET4035PL x2

	P20	4
	VEFM10	18
	VCBHCM10*30I	18
	M10310N	18
	M10440N	18



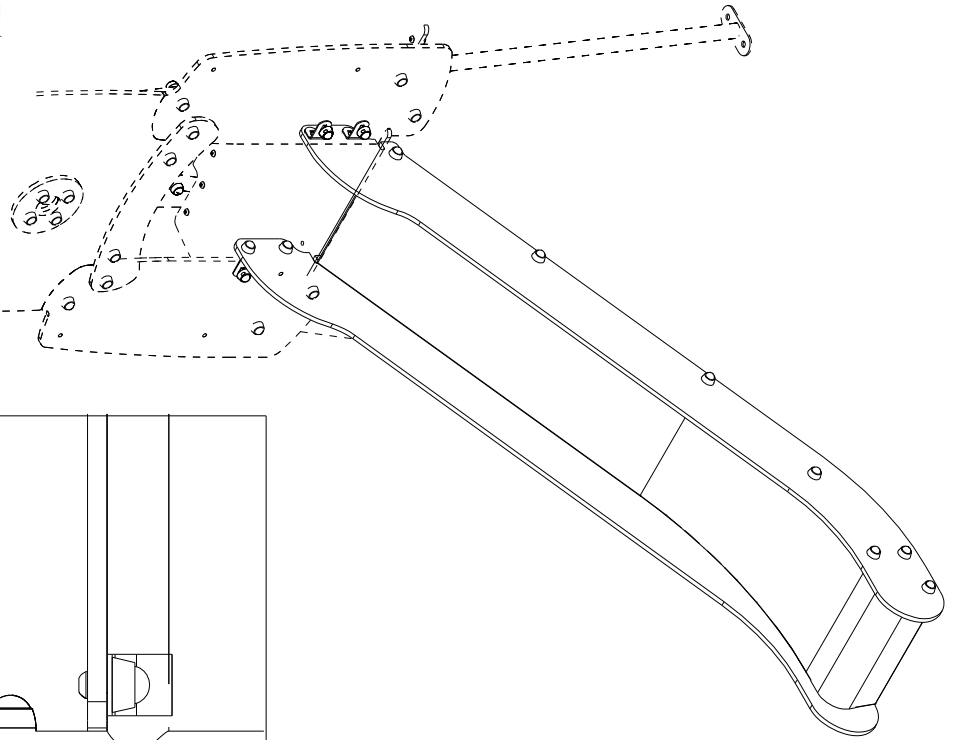


M10440N
VEFM10
M10310N

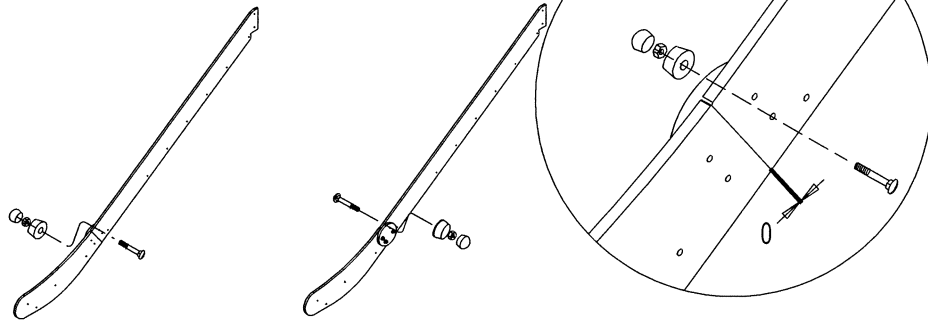


P20

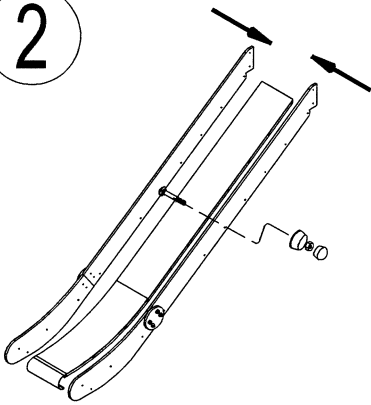
VCBHC M10*30I



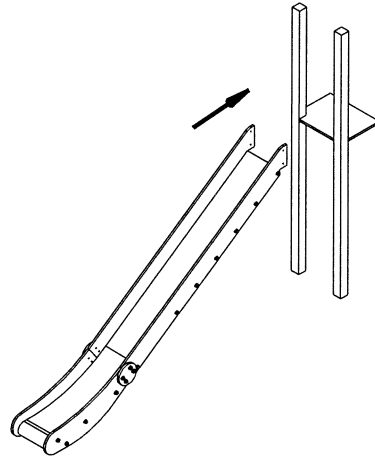
1



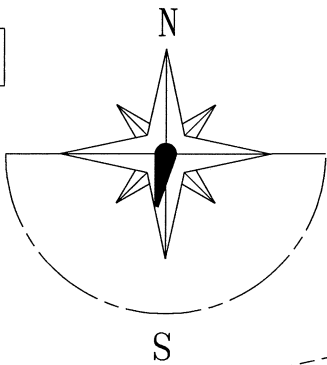
2



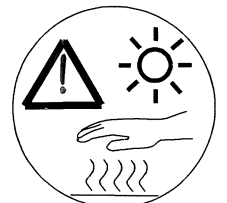
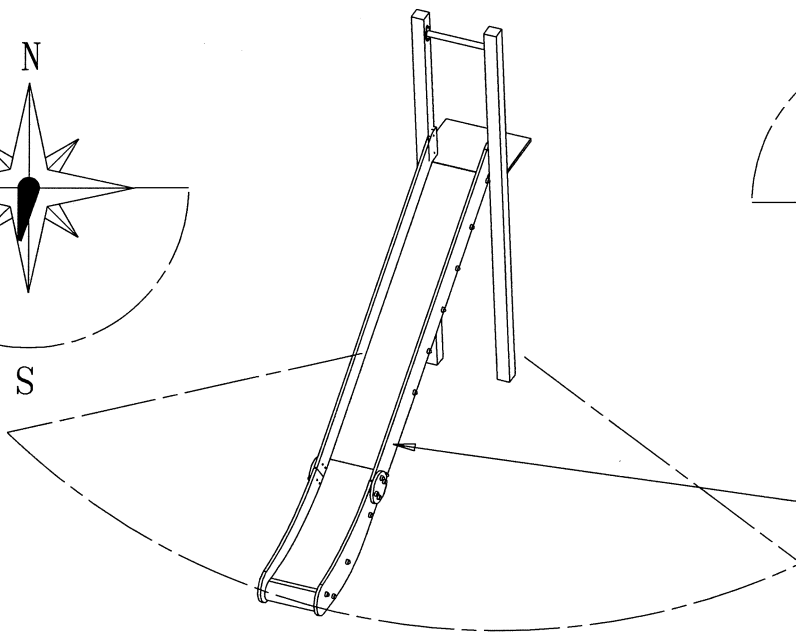
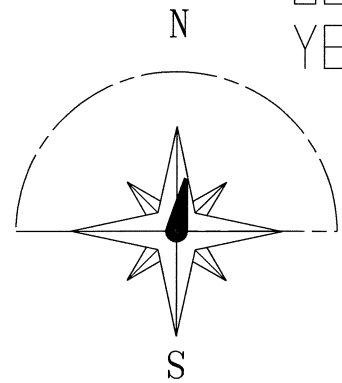
3



NON
NO



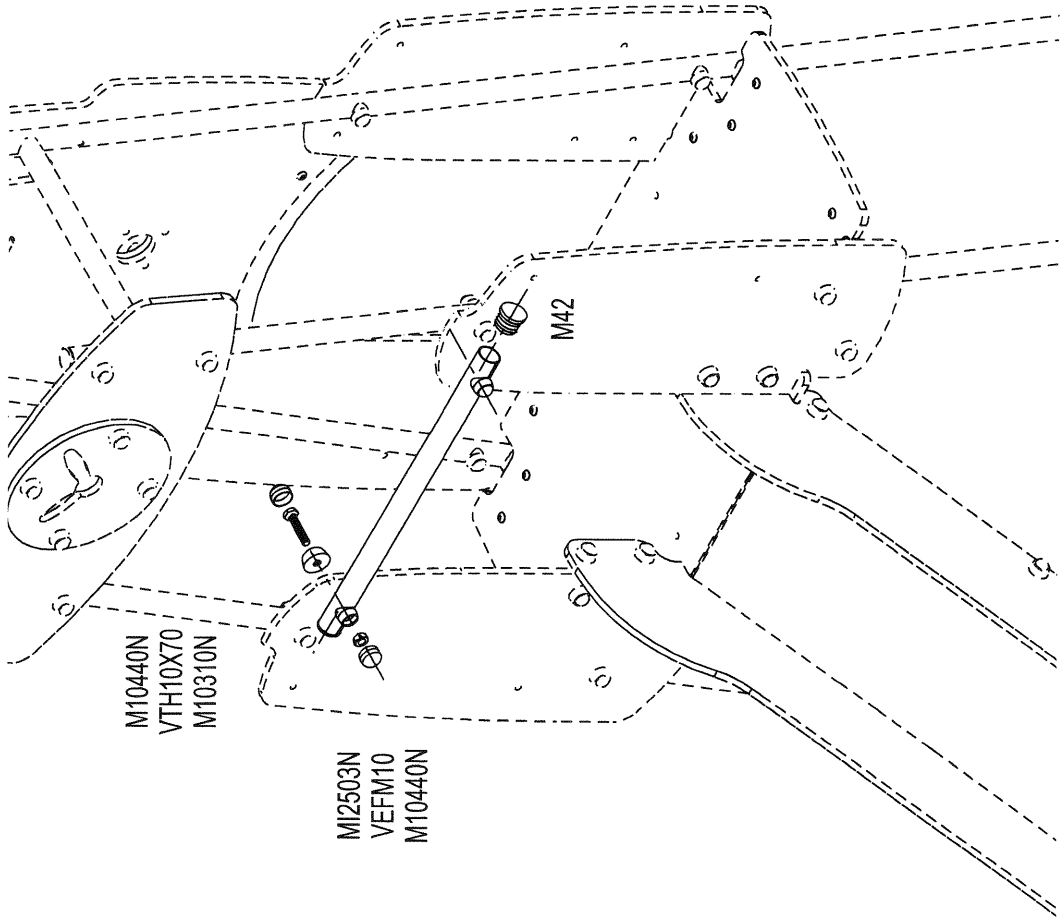
OUI
YES








STOBG

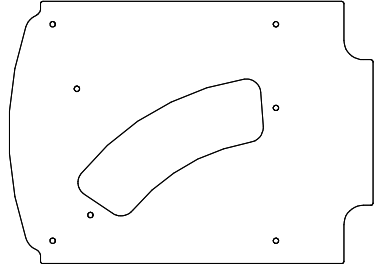
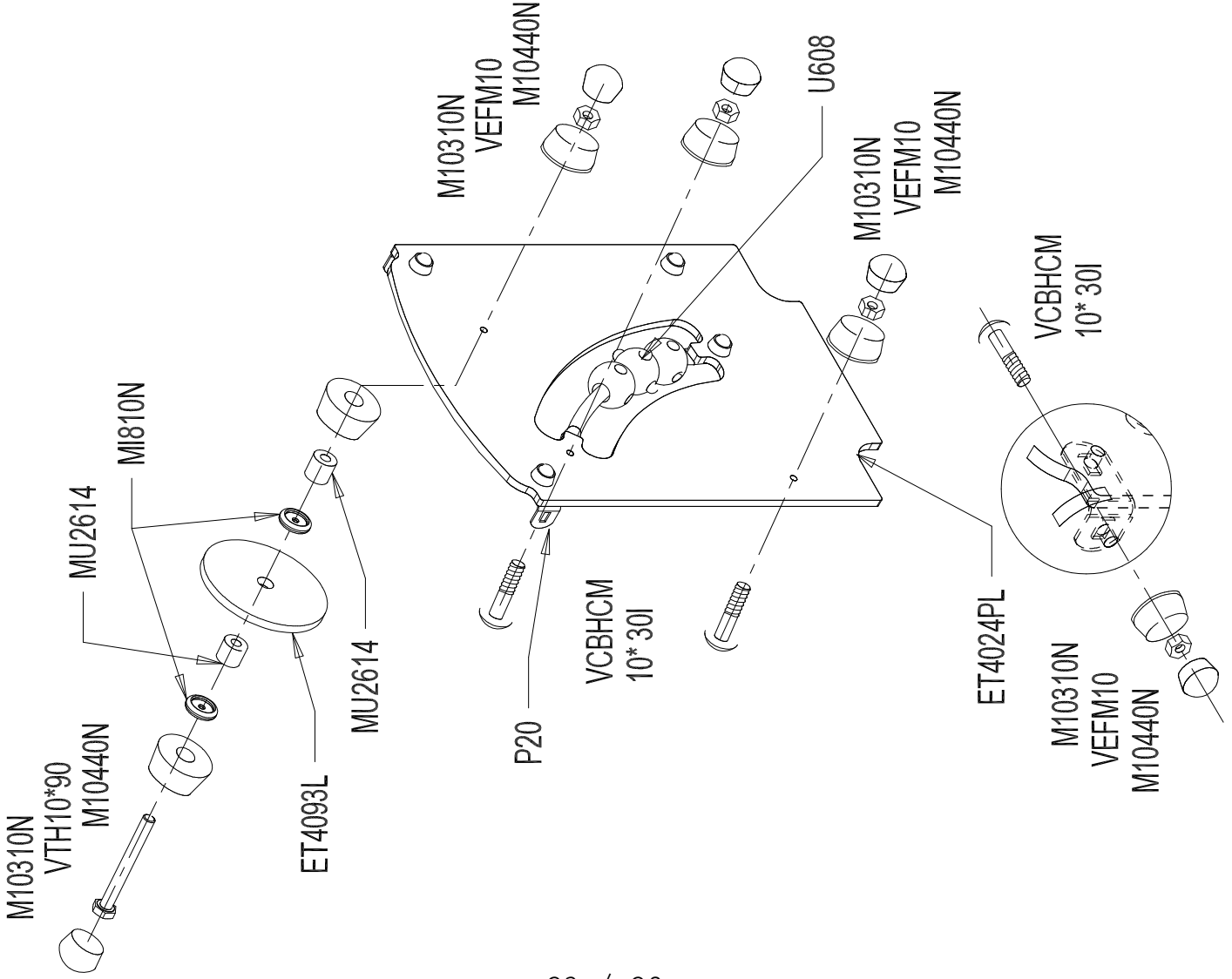
FR

Il est recommandé de ne pas orienter la glissière Sud / Sud Ouest



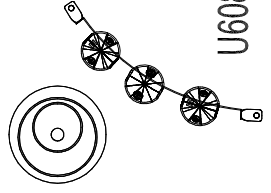
LG4001

	M42	2
	M10440N	4
	M12503N	2
	VTH 10x70	2
	VEFM10	2



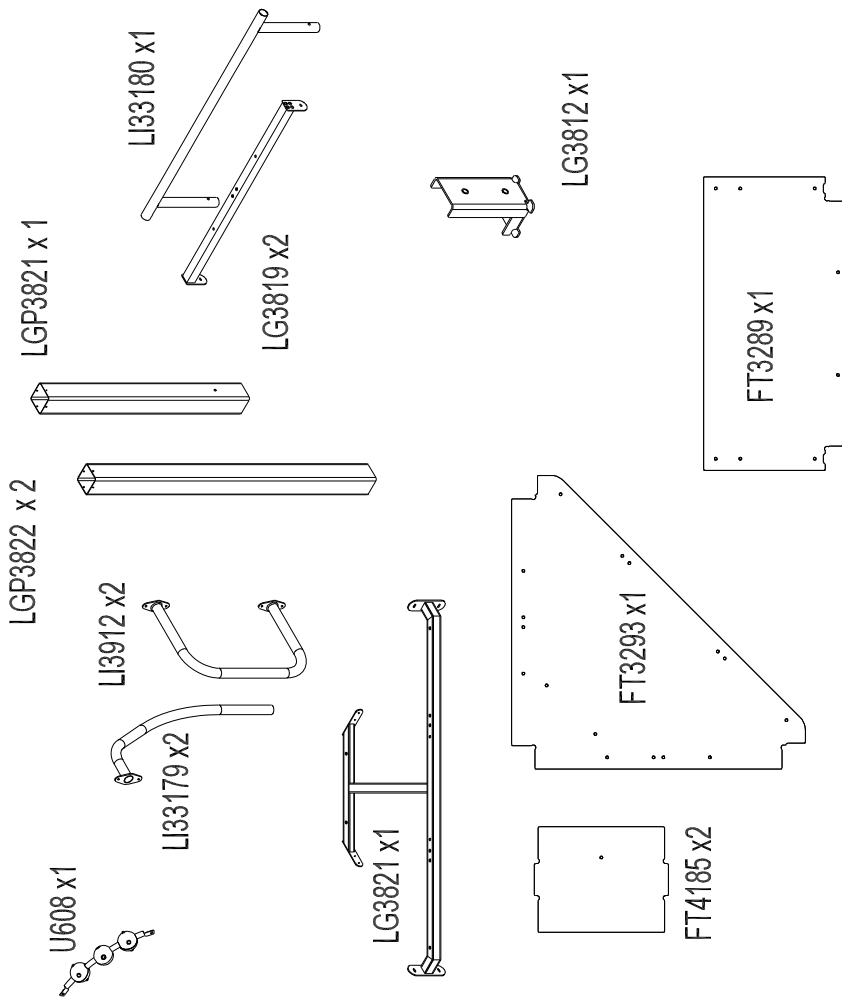
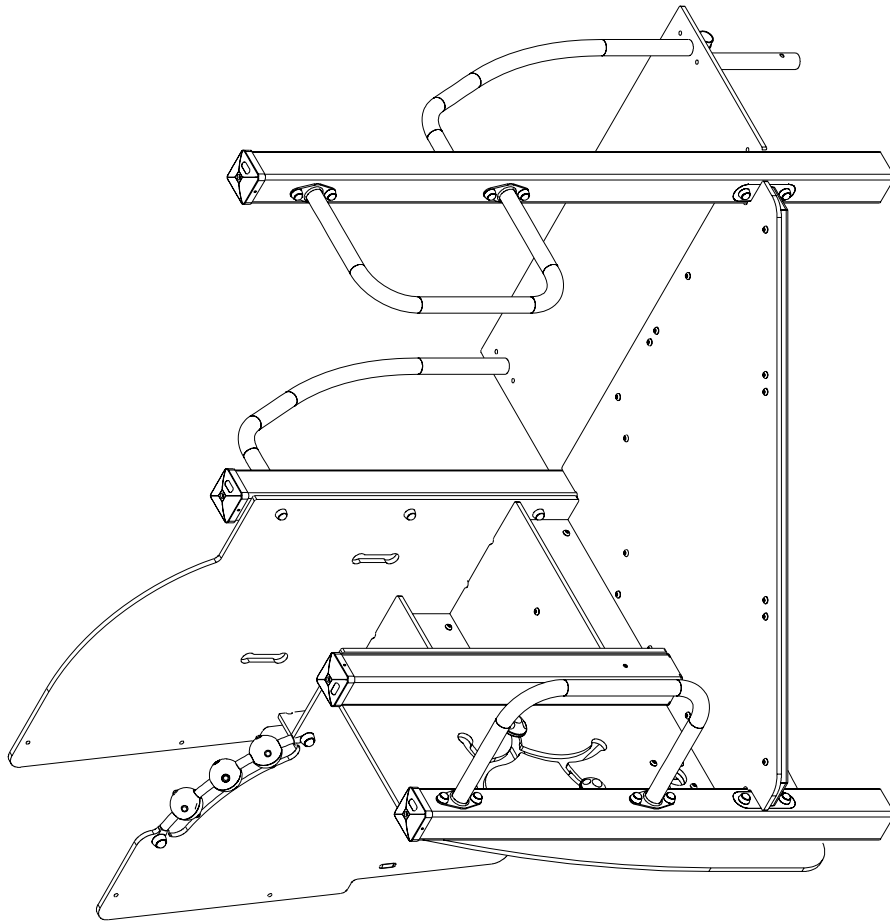
ET4024PL x 1

ET4093L x 1



U608 x 1

	MU2614	2
	MI810N	2
	VEFM10	11
	70 mm :P20	4
	M10310N	13
	M10440N	12
	VCBHCN10x30I	10
	VTH 10x90	1



	70 mm :P13	8		VTH6*30A	36
	M10310N	33		VCBHC M10*30I	17
	M10440N	33		VCBHC M10*40I	11
	M8310N	34		VCBHC M10*70I	2
	M8440N	34		VCBHC M10*80I	2
				VCBHC M8*30I	12
				VEFM10	32
				M42	2

