

J38550

Proludic





N°		
1	1 m	6 m ²
2	1.37 m	20.5 m ²
3	2.1 m	9.5 m ²

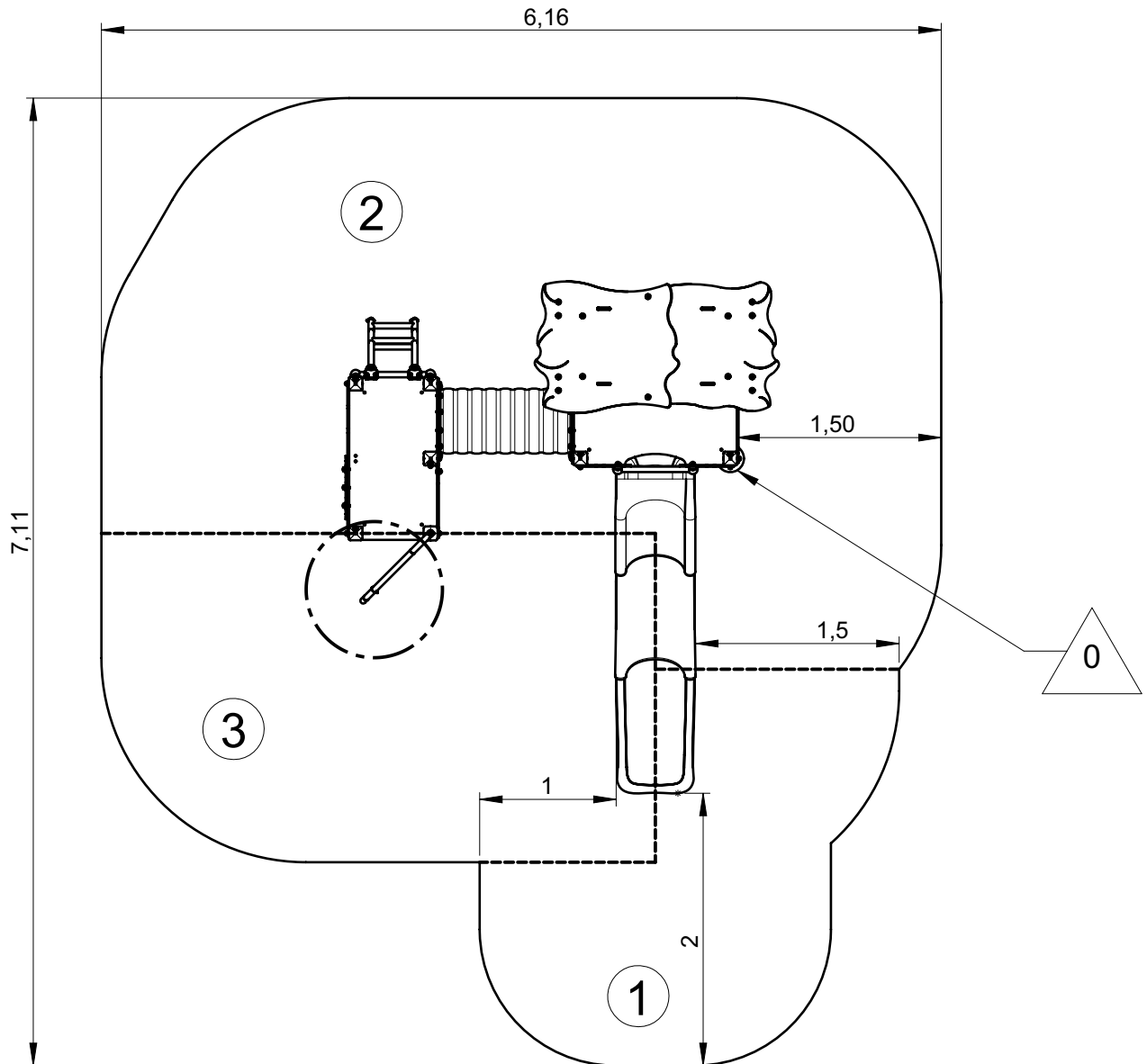
— Zone d'impact
Impact area
Area de impacto
Fallraum
Valzone

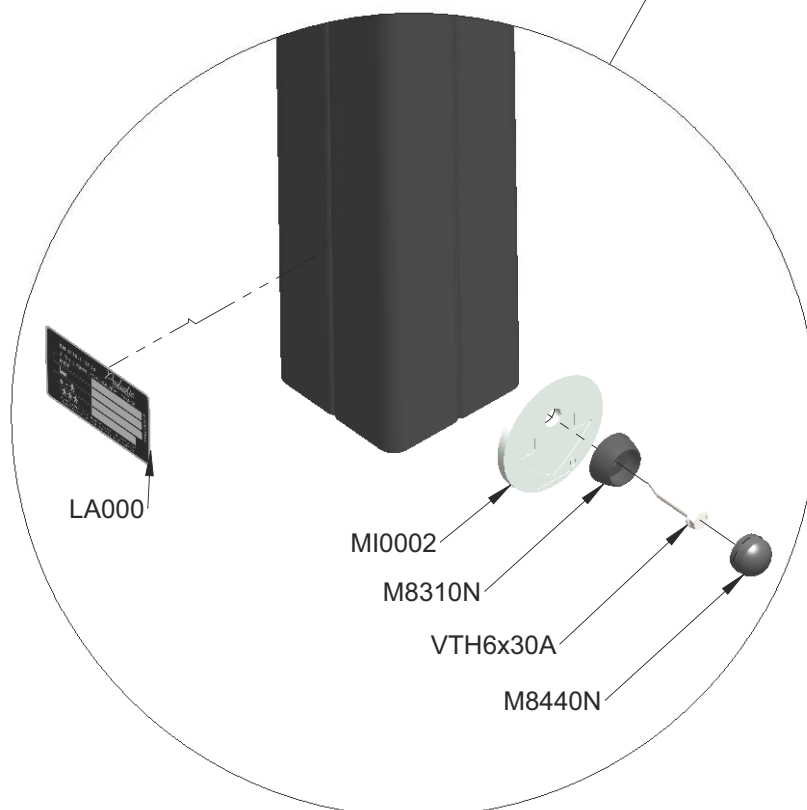
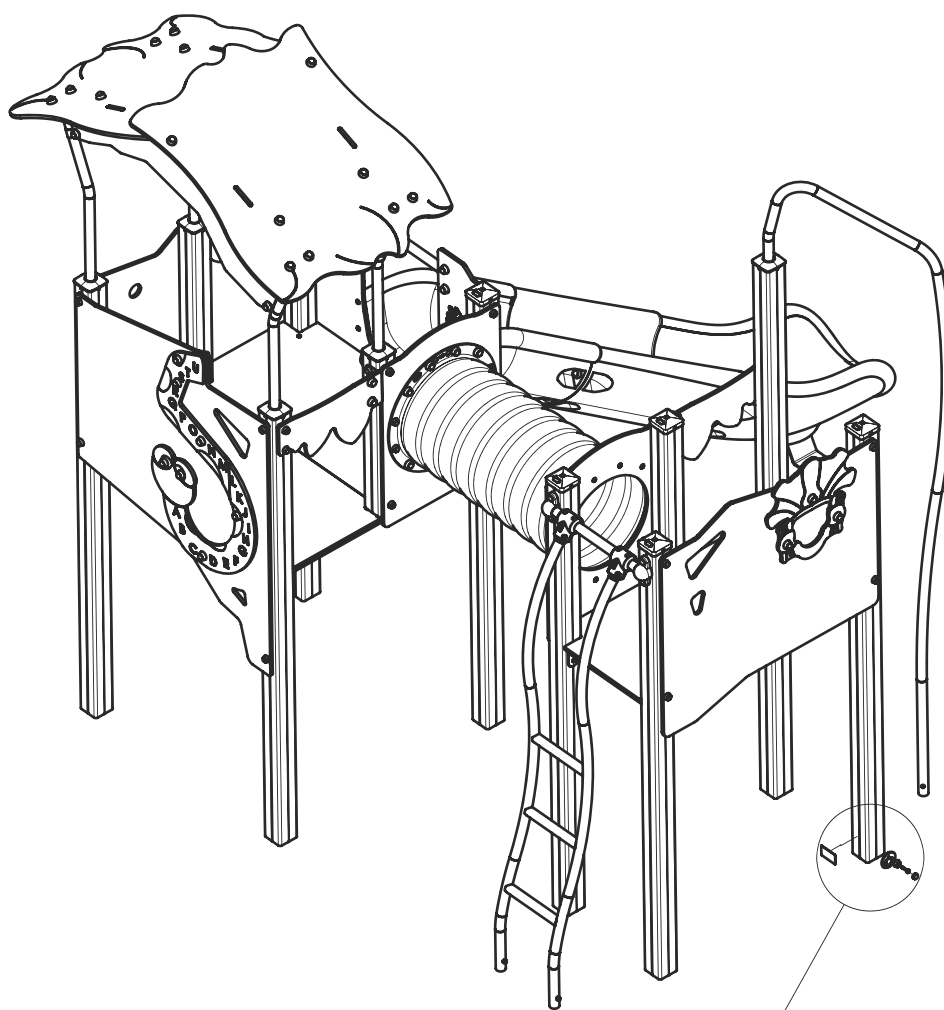


Point de référence
Setting out point
Punto de referencia
Bezugspunkt
Referentiepunt

- - - Espace libre
Free space
Espacio libre
Freiraum
Vrije ruimte

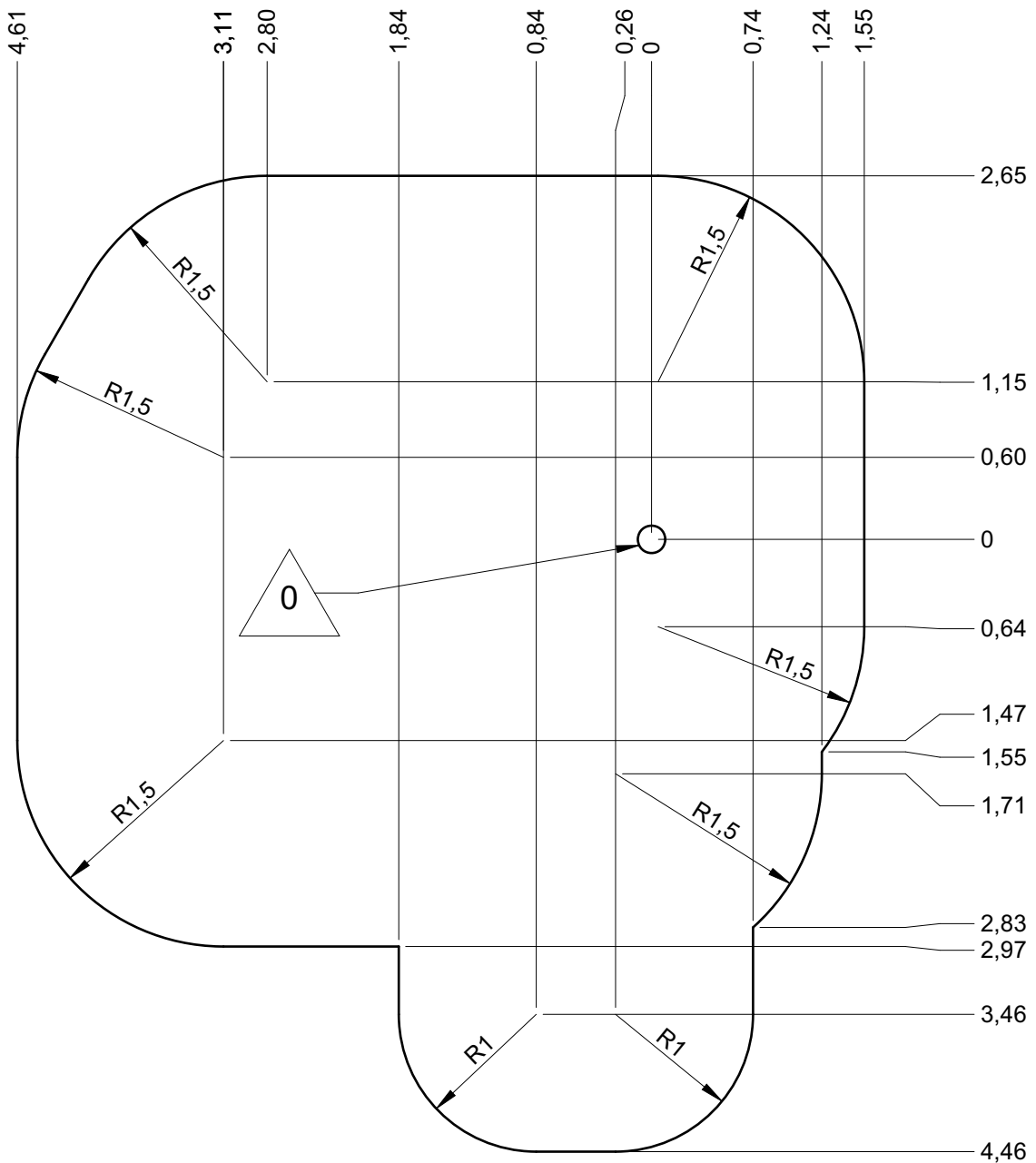
EN1176-1:2017
EN1176-3:2017





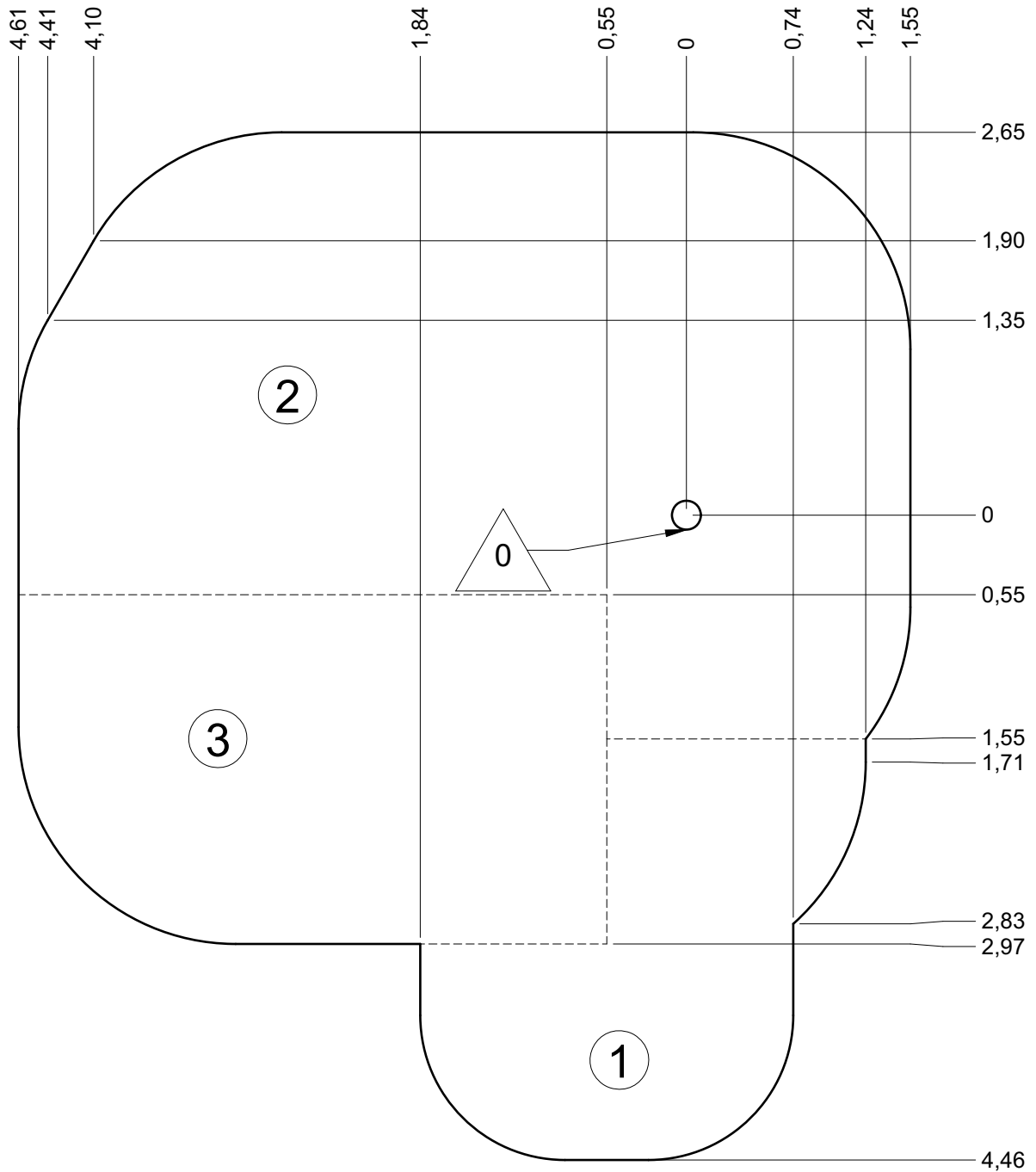
— Zone d'impact
 Impact area
 Area de impacto
 Fallraum
 Valzone

35.5 m²



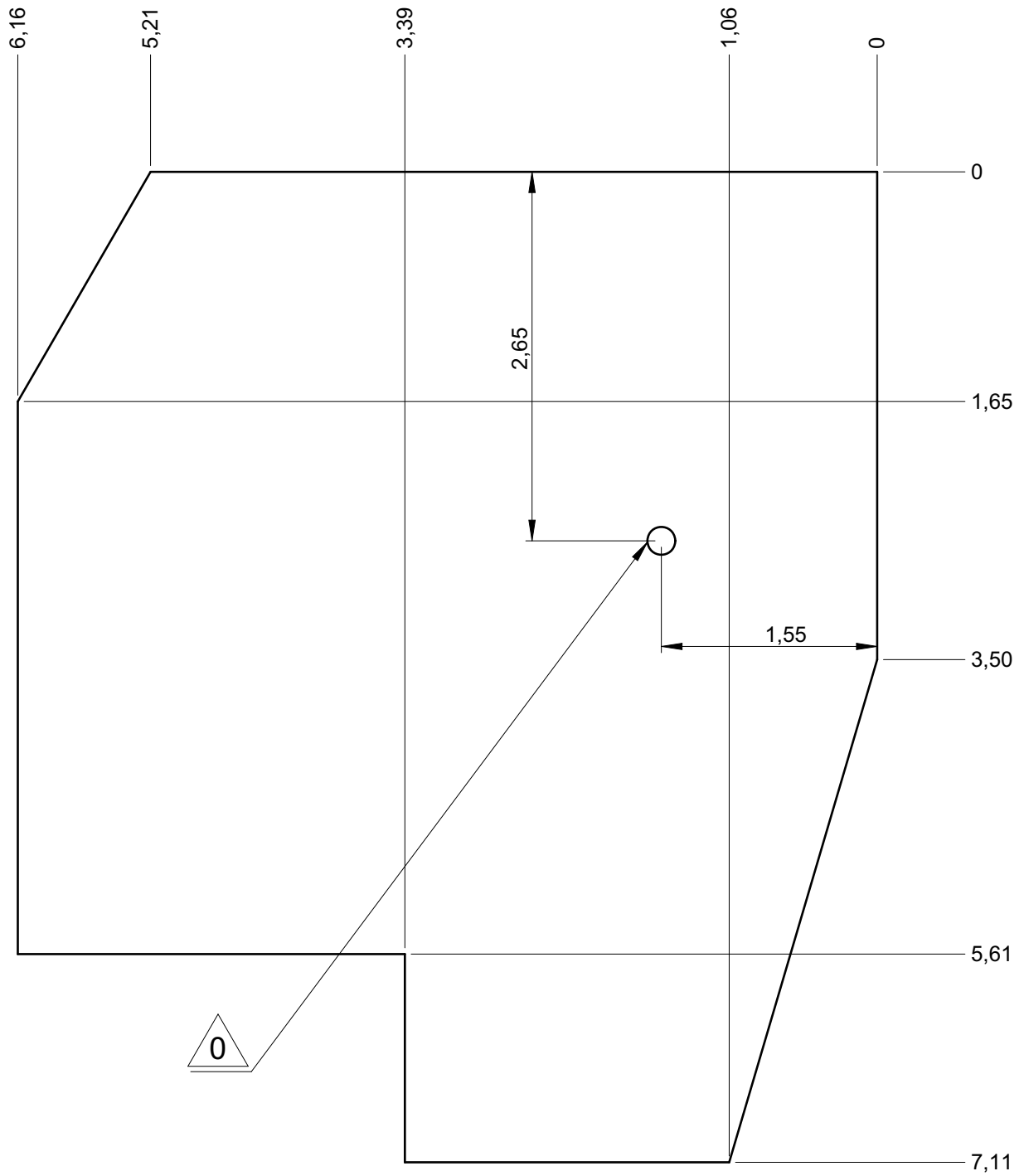
— Sol souple
 — Wetpour
 — Caucho continuo
 — Synthetischer fallschutz
 — Gietvloer

35.5 m²

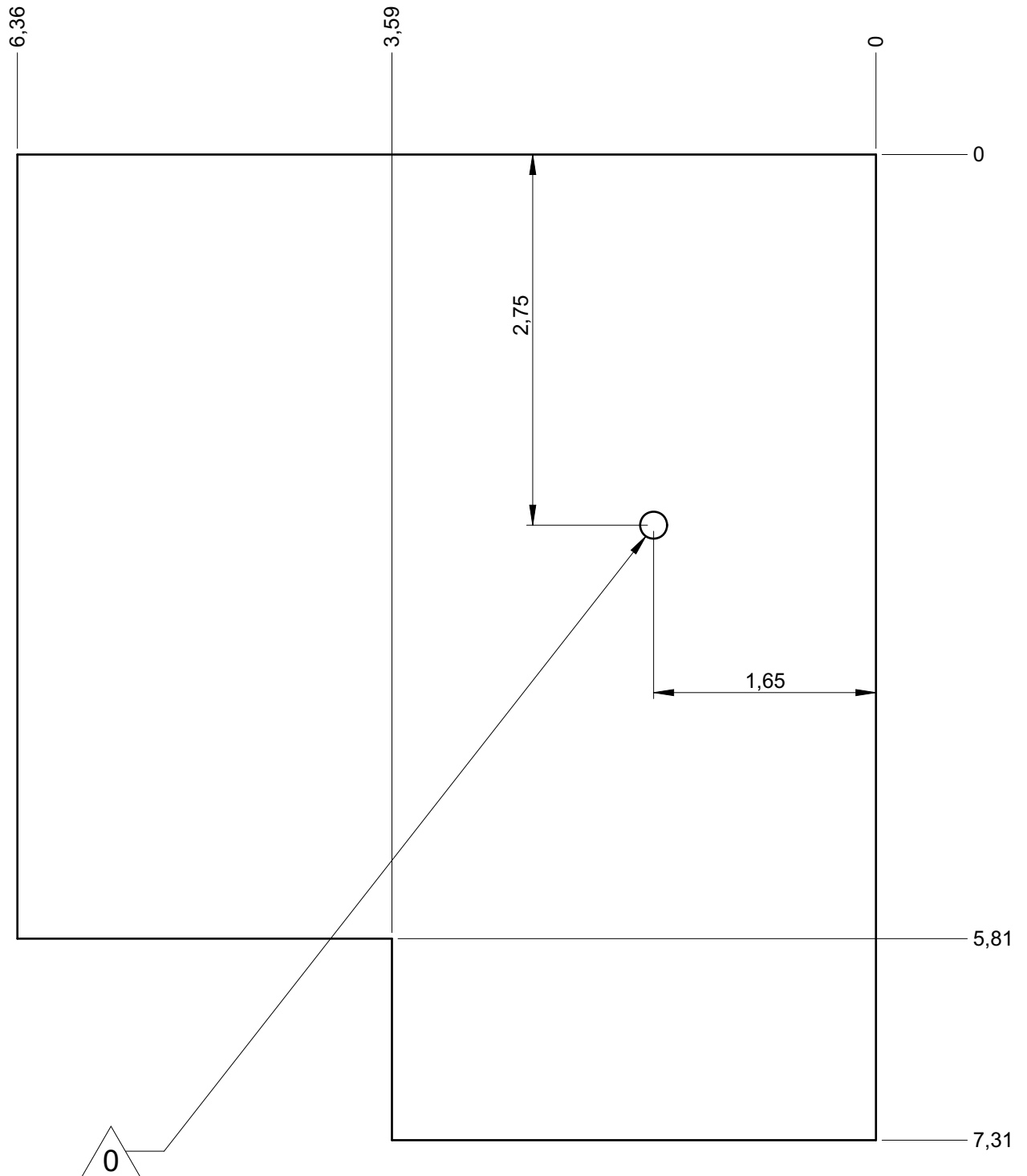


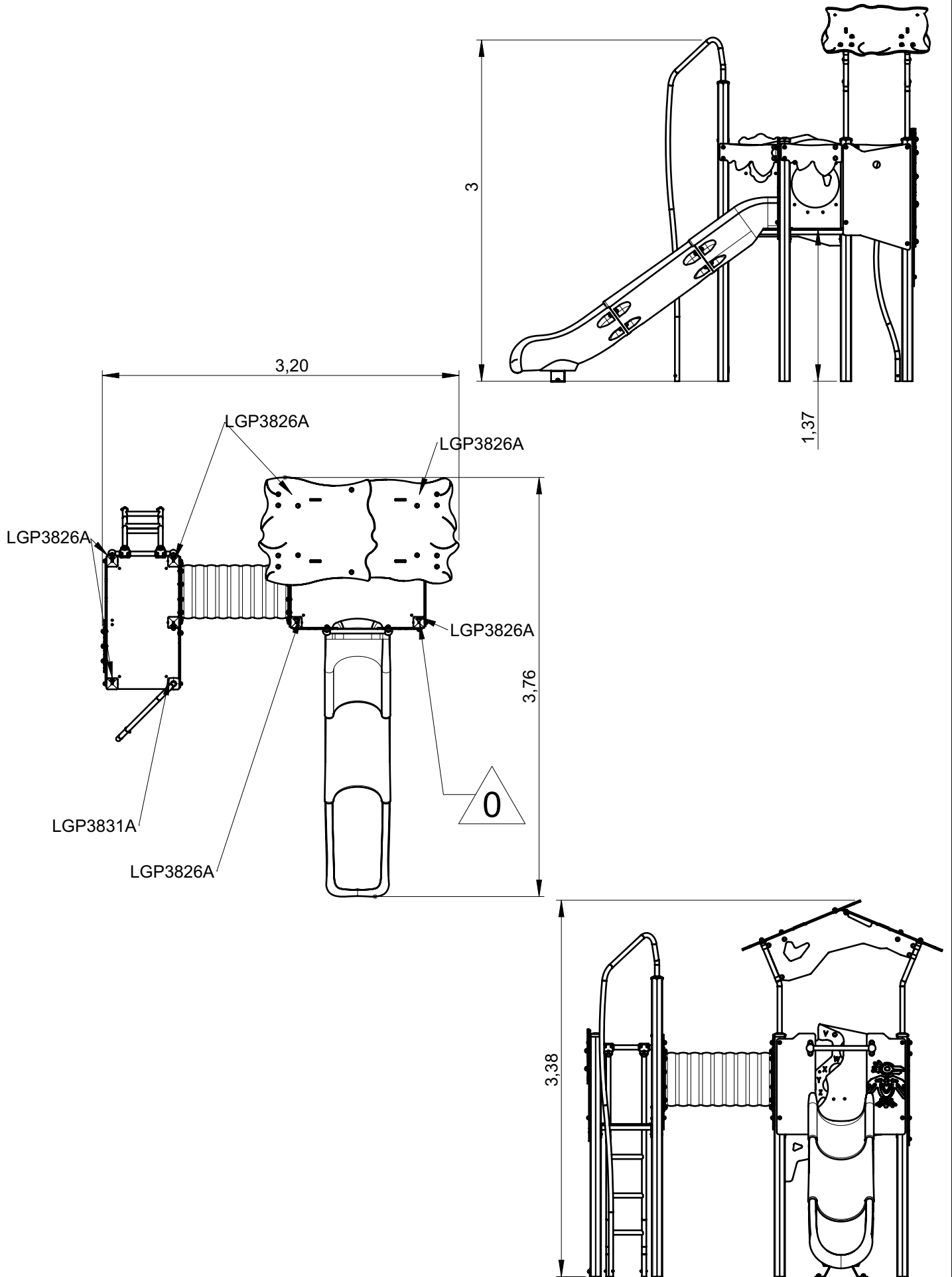
— Dalle béton
 Concrete pad
 Solera de hormigon
 Beton bodenplatte
 Betonnen bodemplaat

25.5 m
 37.5 m²



— Sol fluent
Loos partucule material 28.5 m
Arenero
Loses Bodenmaterial 42.5 m²
Los bodemateriaal

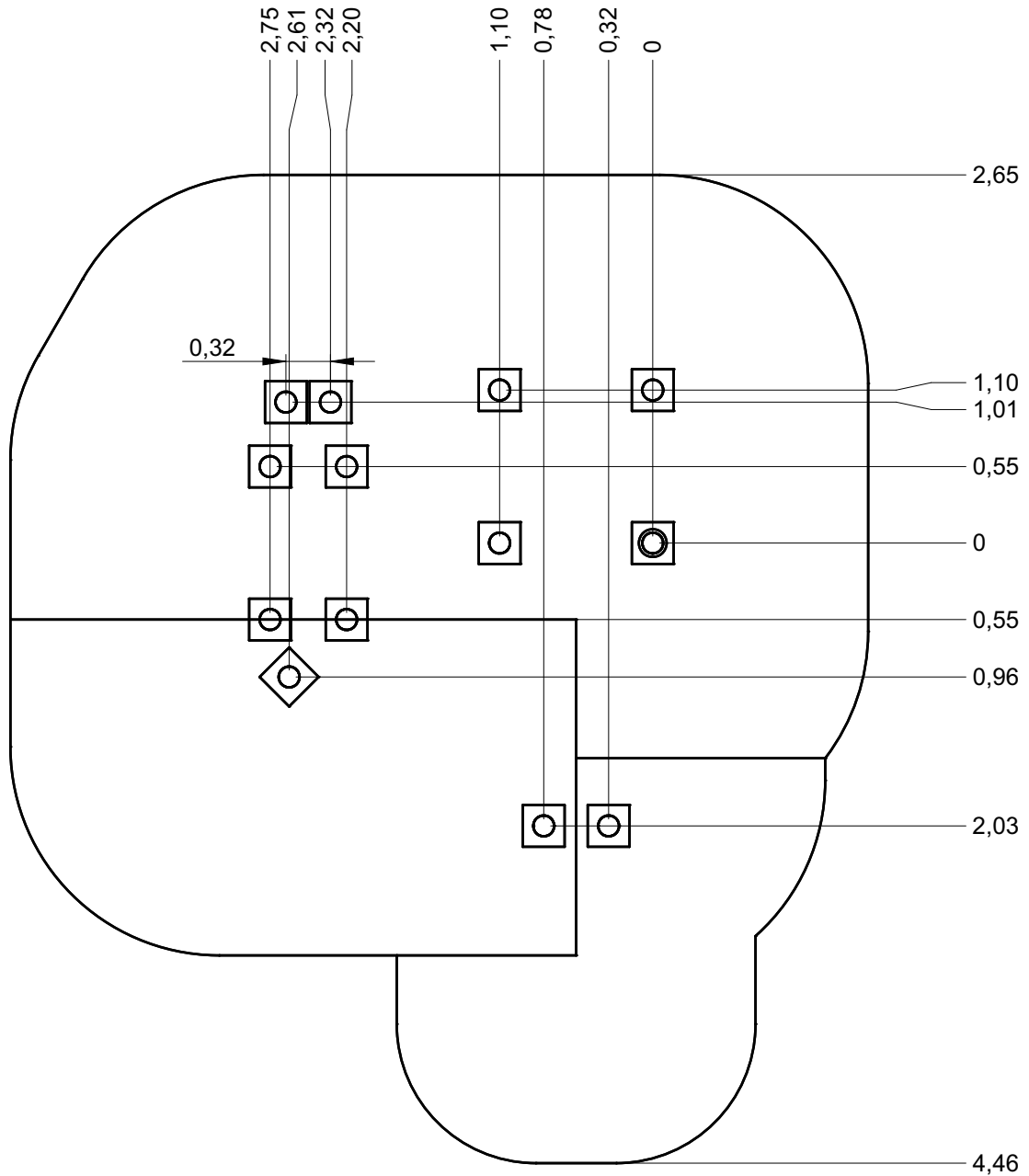







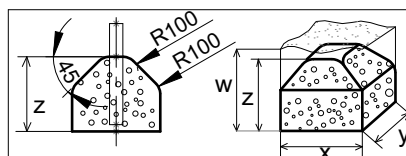
J38550A




Proludic

Implantation
 Footing plan
 Implantación
 Fundamentplan
 Funderingstekening

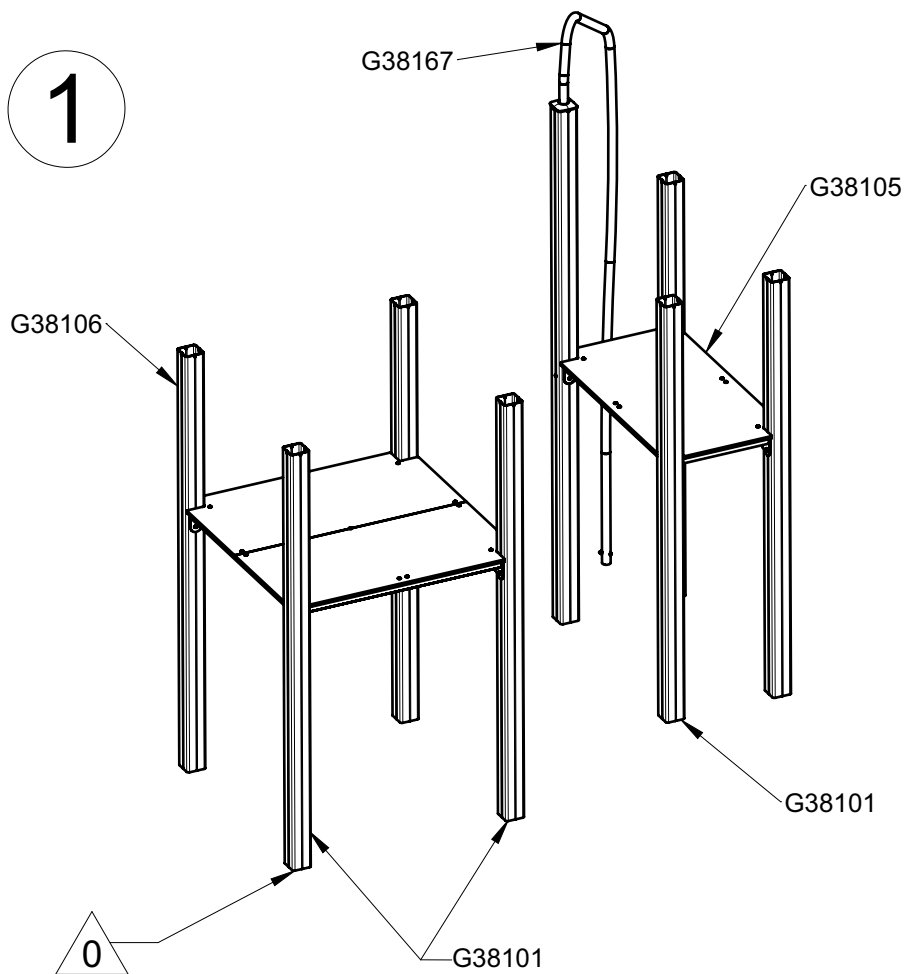


 x2
 12H
 0.35 m³

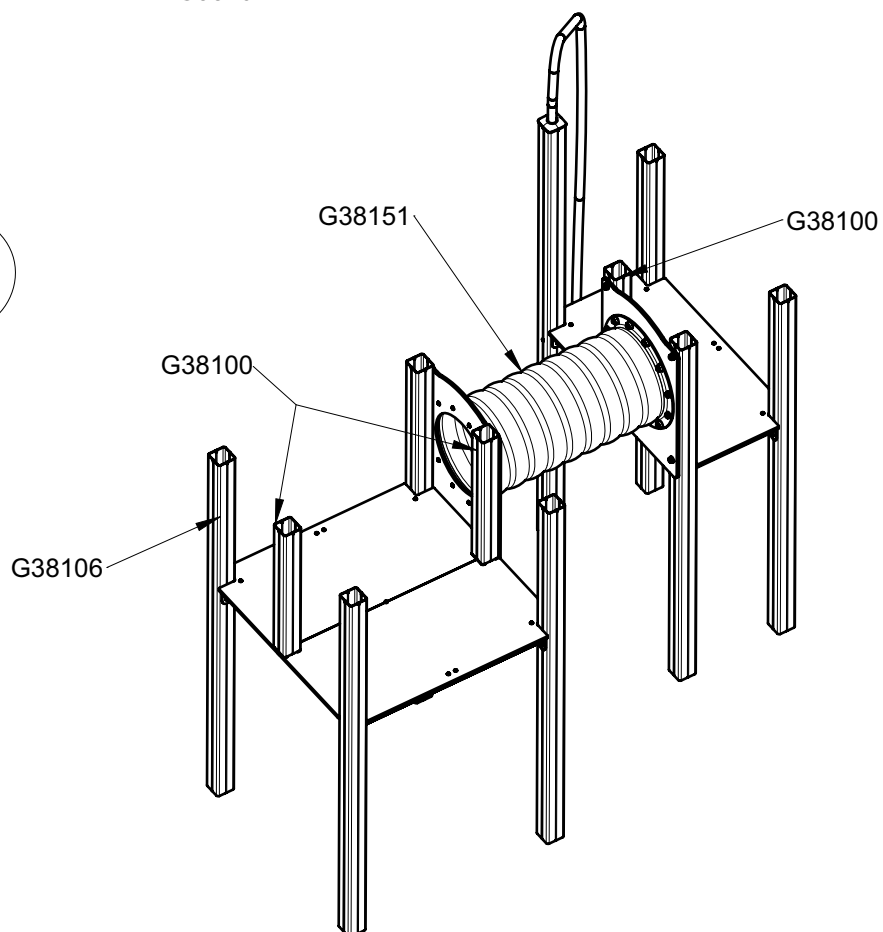


	x	y	z	w
	0.3	0.3	0.3	0.6
	0.4	0.4	0.3	0.6
	0.6	0.3	0.3	0.6

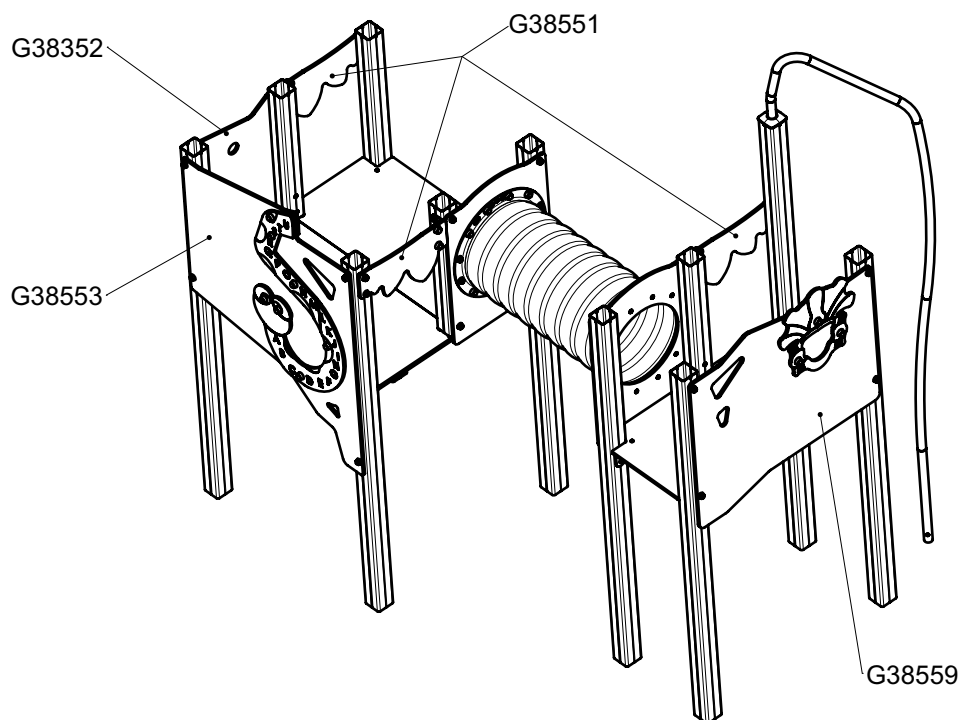
1



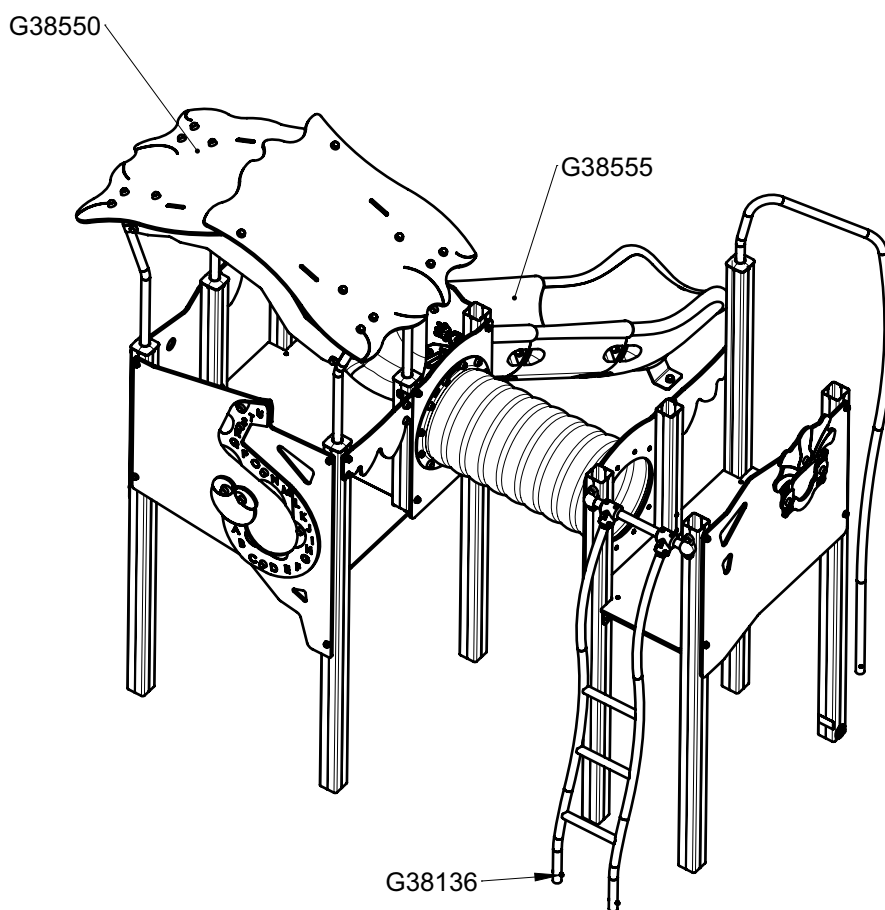
2

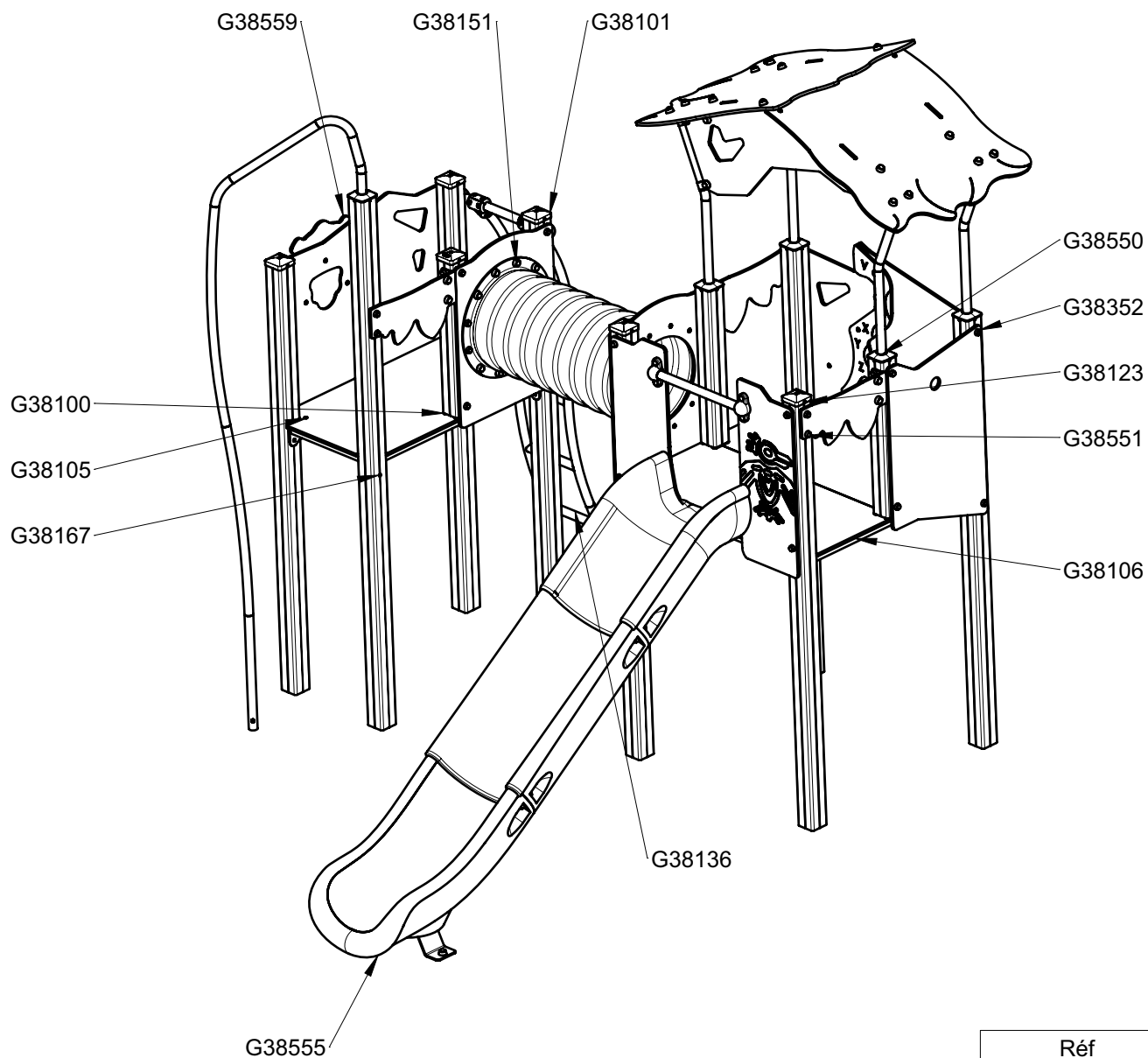


3

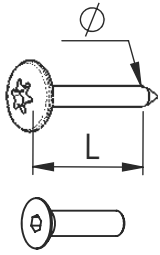


4



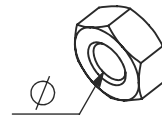


Réf	Qté
G38100	3
G38101	3
G38105	1
G38106	1
G38123	6
G38136	1
G38151	1
G38167	1
G38352	1
G38550	1
G38551	3
G38553	1
G38555	1
G38559	1

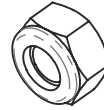


VBT 6 x 30
Ø L (mm)

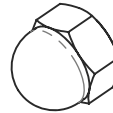
VFHC



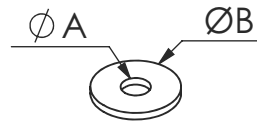
VEC M10
Ø



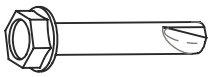
VEF



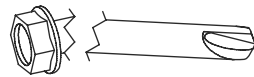
VEB



VR6x18
ØA ØB



VTHA

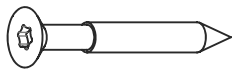


14 N.m
Couple de rupture
Torque of break



1000 - 1800 tr/min

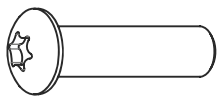
Vitesse de rotation
Rotation speed



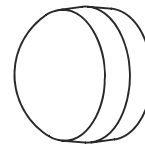
VWT



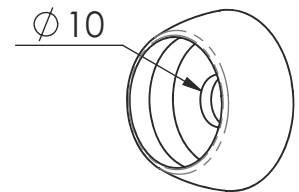
VGC



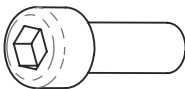
VCBHC



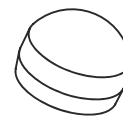
M10 440N



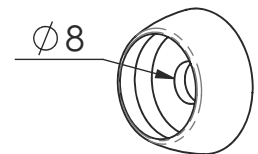
M10 310 N



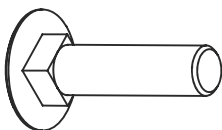
VBTR



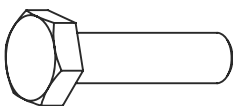
M8 440N



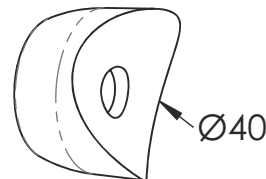
M8 310N



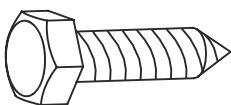
VTRCC



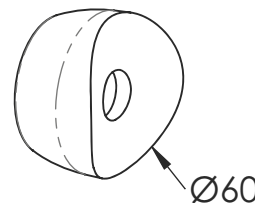
VTH



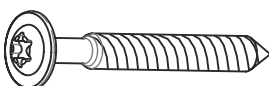
MI2503



VTF



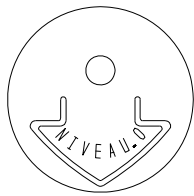
MI2701



VBT

A

Proludic



MI0002

VCBHCM10

M10310N
VEFM10
M10440N

LG08

M10440N
VEFM10
MI2503

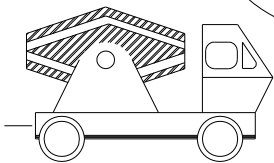
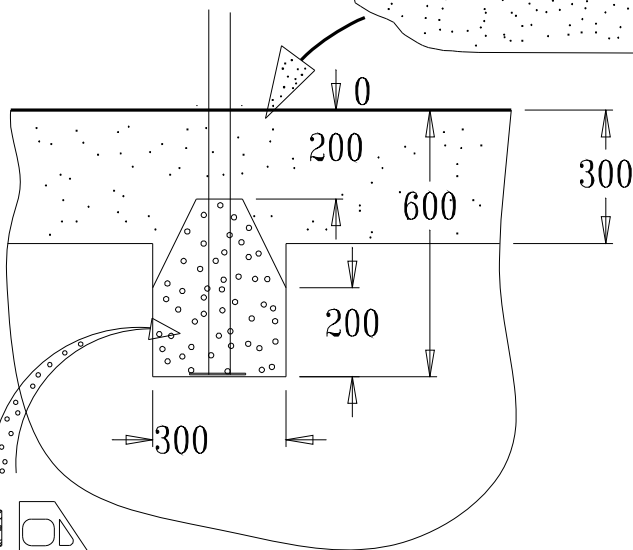
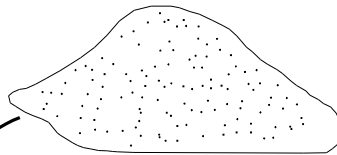
LG3802

M10440N
VTH10*80
MI2503

LG3804



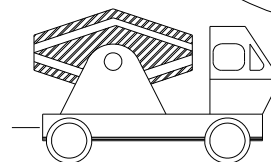
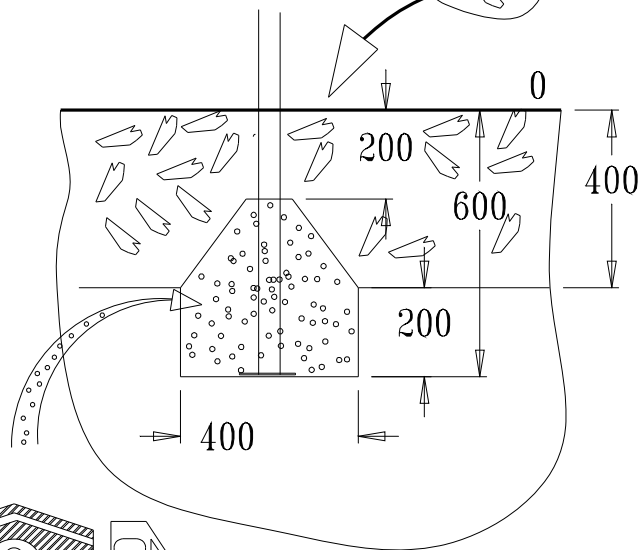
> 1500 Kgs/M³



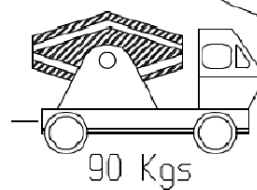
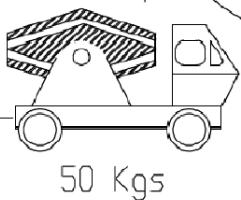
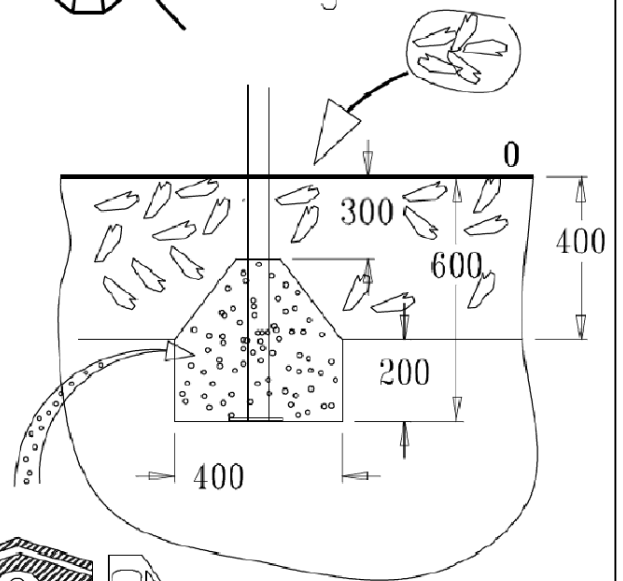
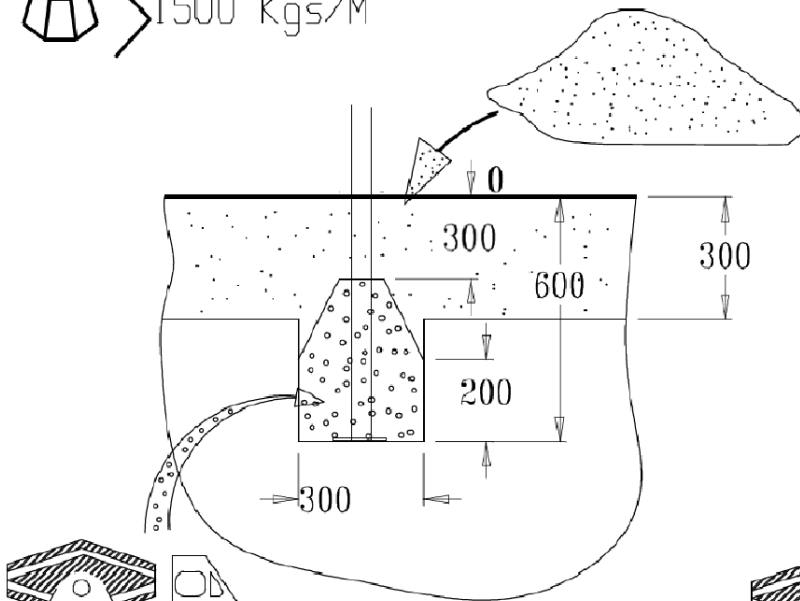
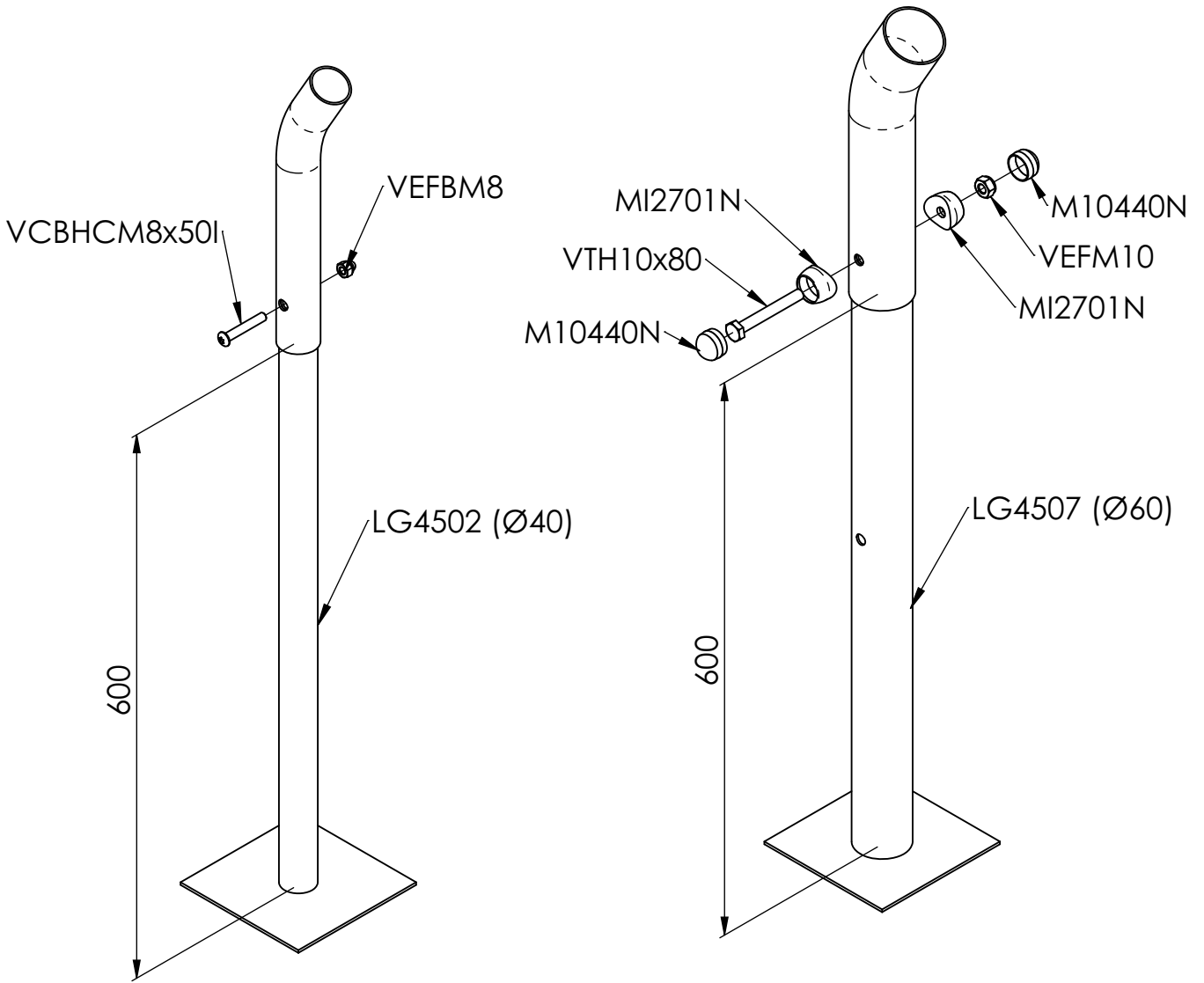
50 Kgs

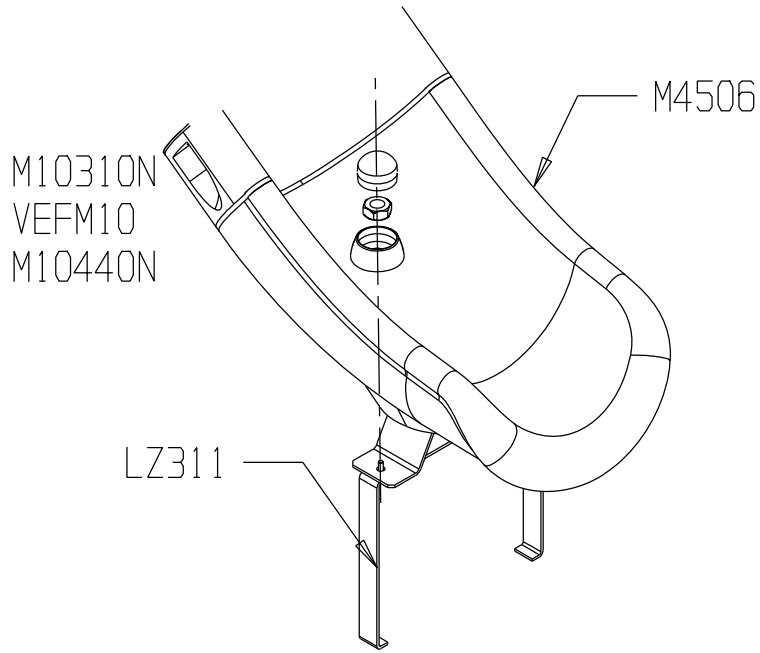


< 1500 Kgs/M³

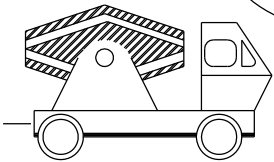
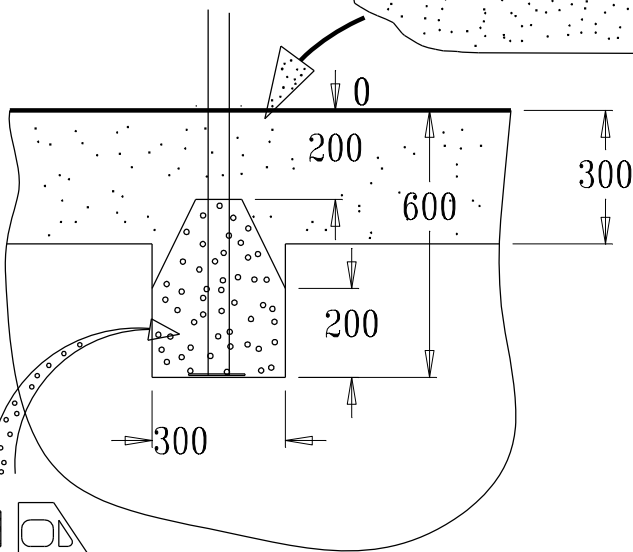
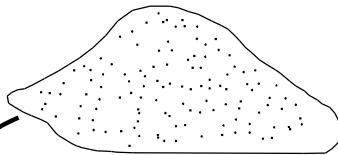


90 Kgs





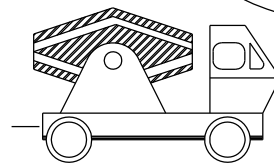
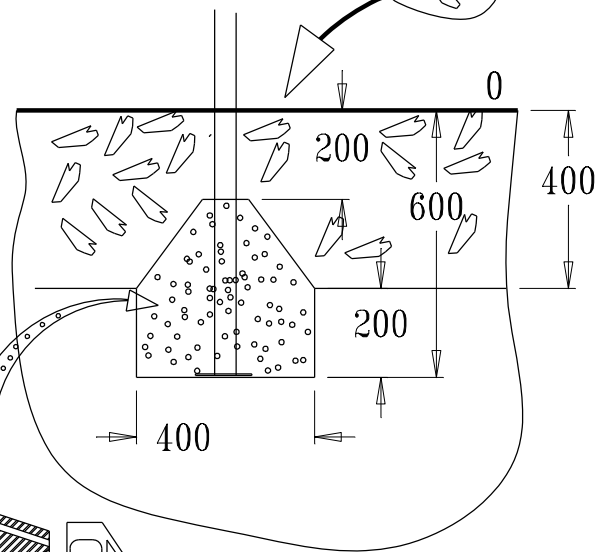
> 1500 Kgs/M³



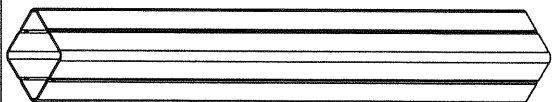
50 Kgs



< 1500 Kgs/M³



90 Kgs

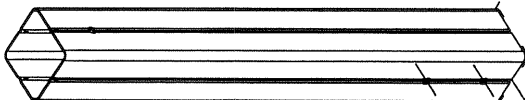


1

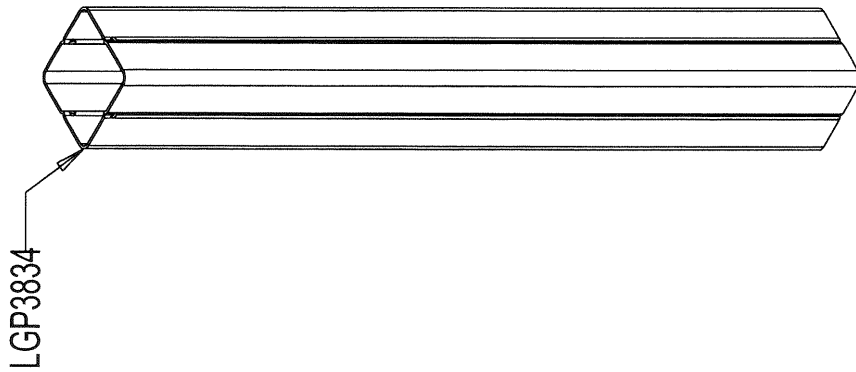


VCBHC8*30I
X2

2

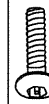
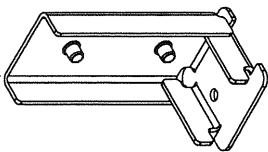


VCBHC10*30I
X2



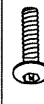
LGP3834

LG3812



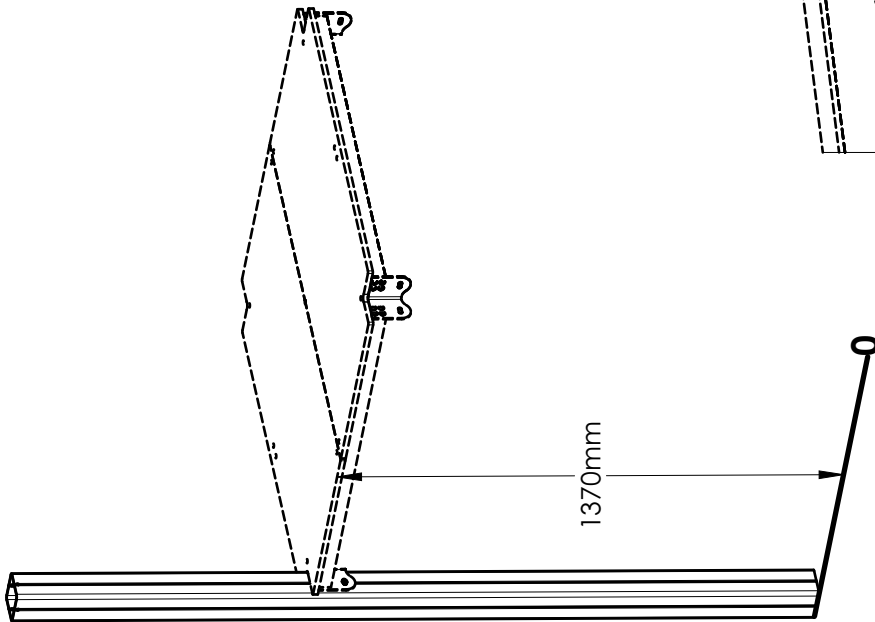
VCBHC10X30I

2

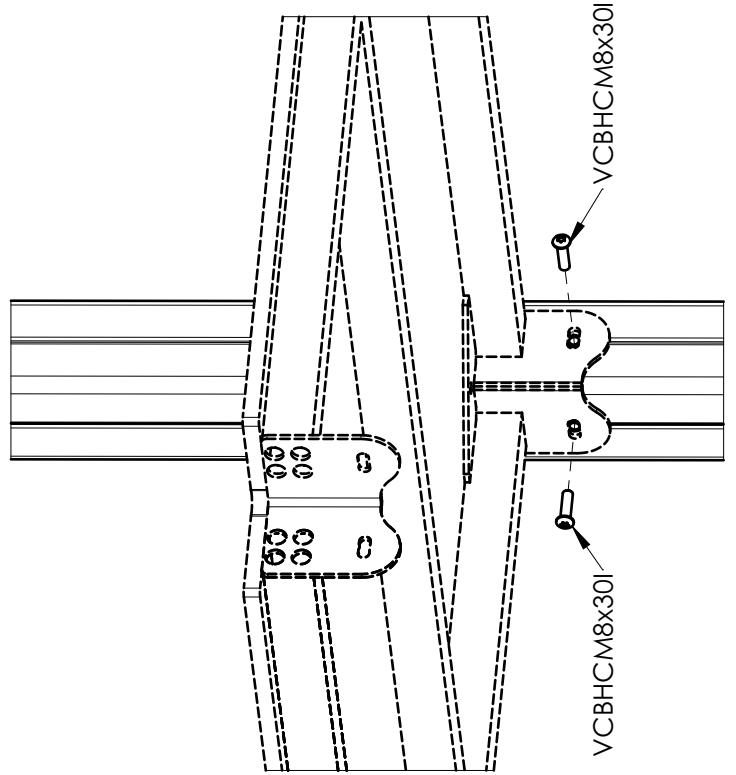


VCBHC8X30I

2



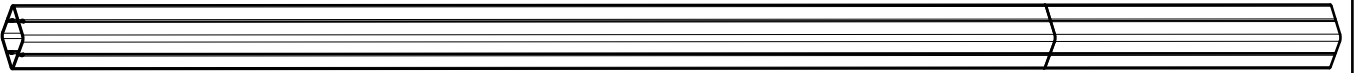
1370mm



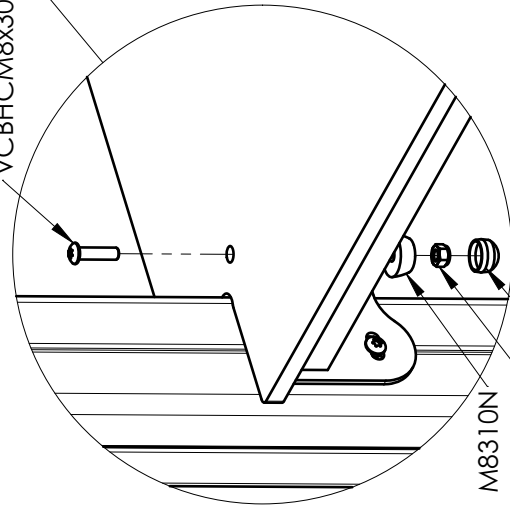
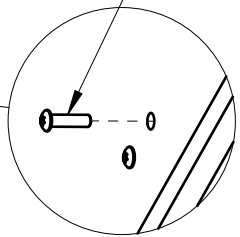
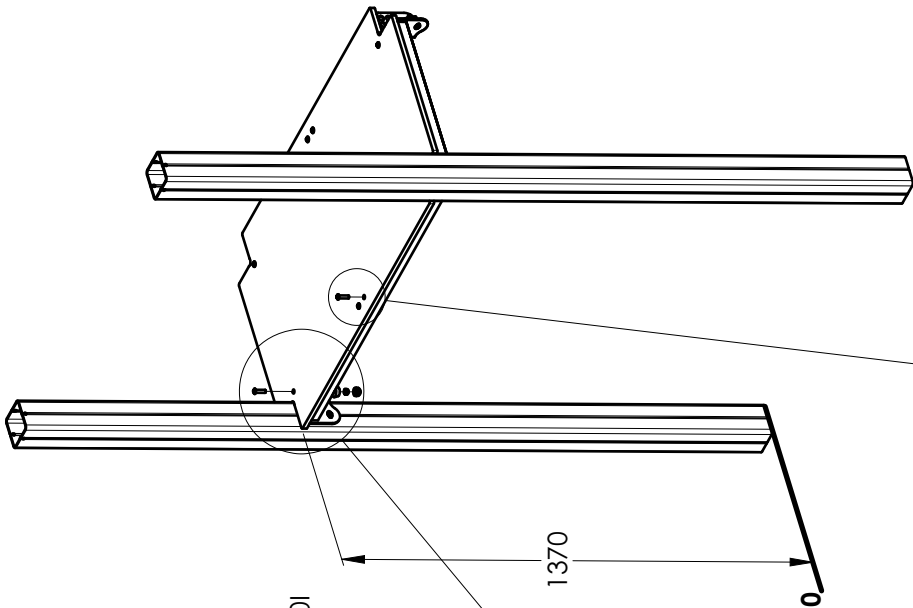
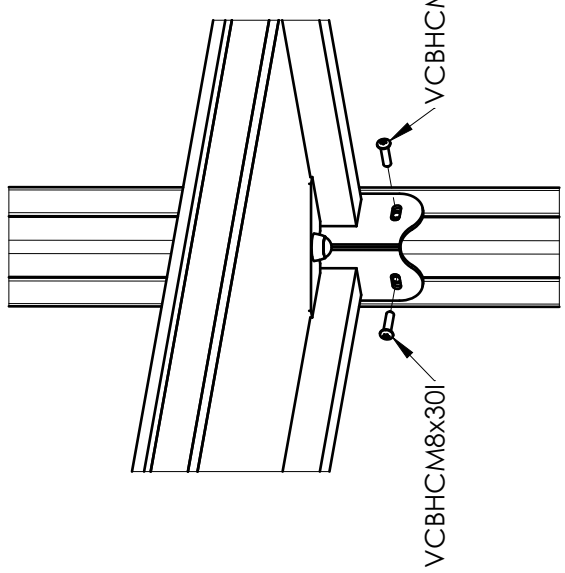
VCBHCM8x30I

VCBHCM8x30I

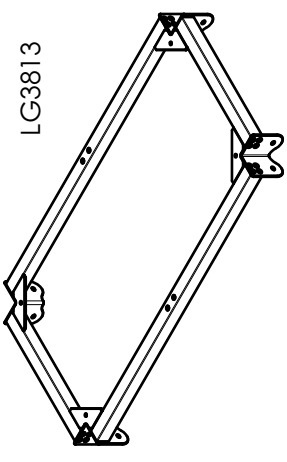
U3849A



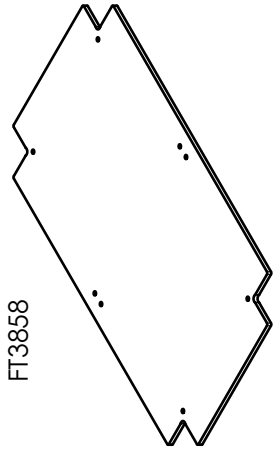
Réf	Qté
VCBHCM8x30I	2
U3849A	1



U3849A



LG3813



FT3858

Réf	Qté
FT3858	1
LG3813	1
M8310N	4
M8440N	4
U3849A	2
VCBHCM8x30I	16
VEFM8	4

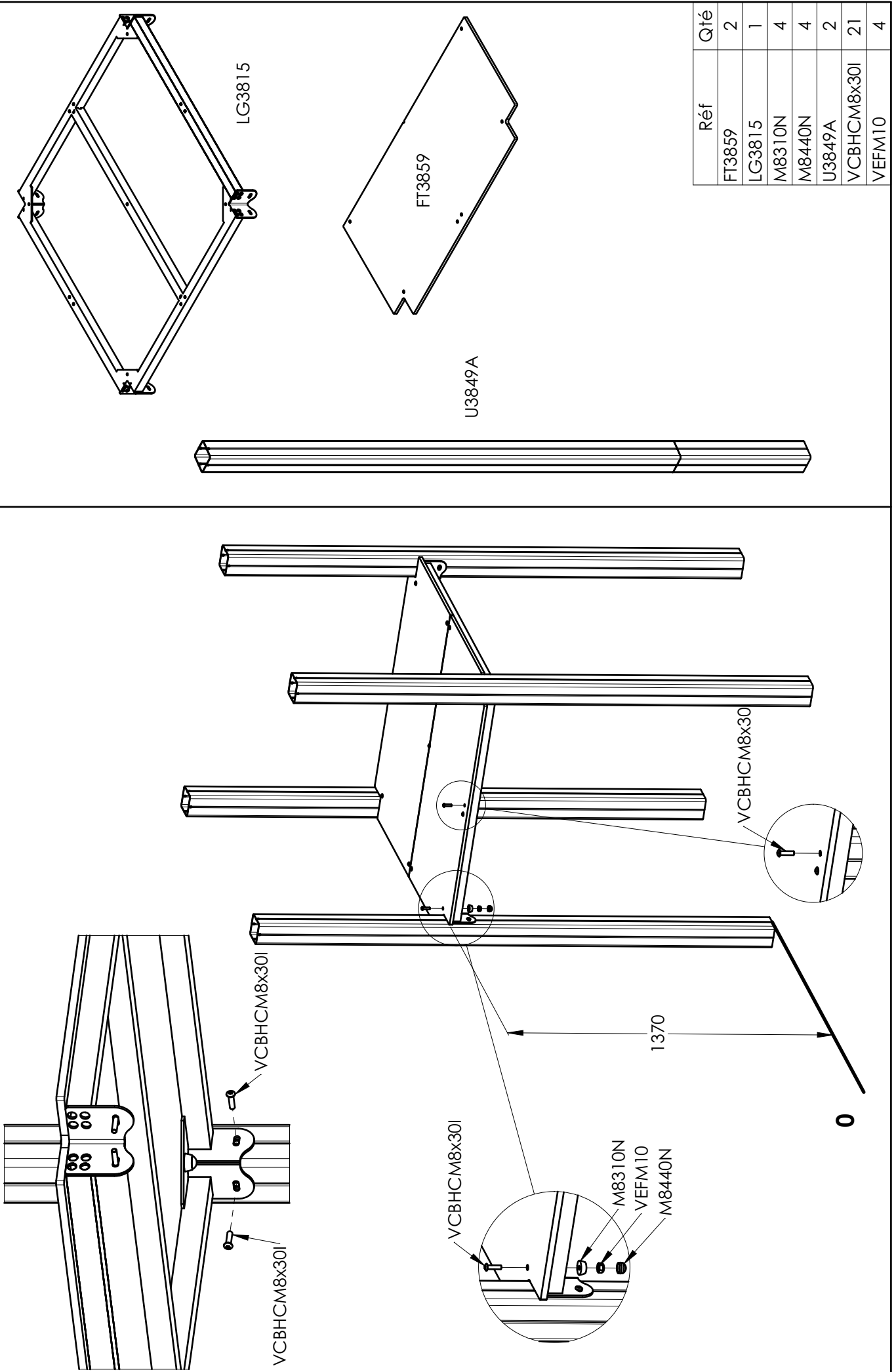
G38106A

HT 1370mm

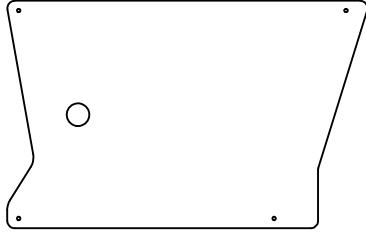
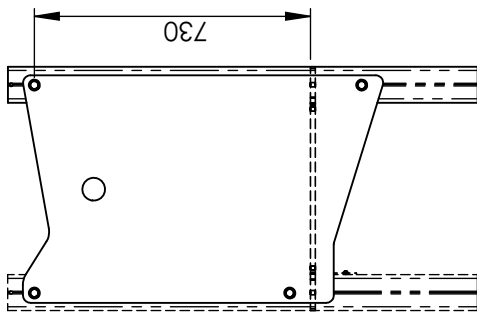
1 / 1

01/10/2017

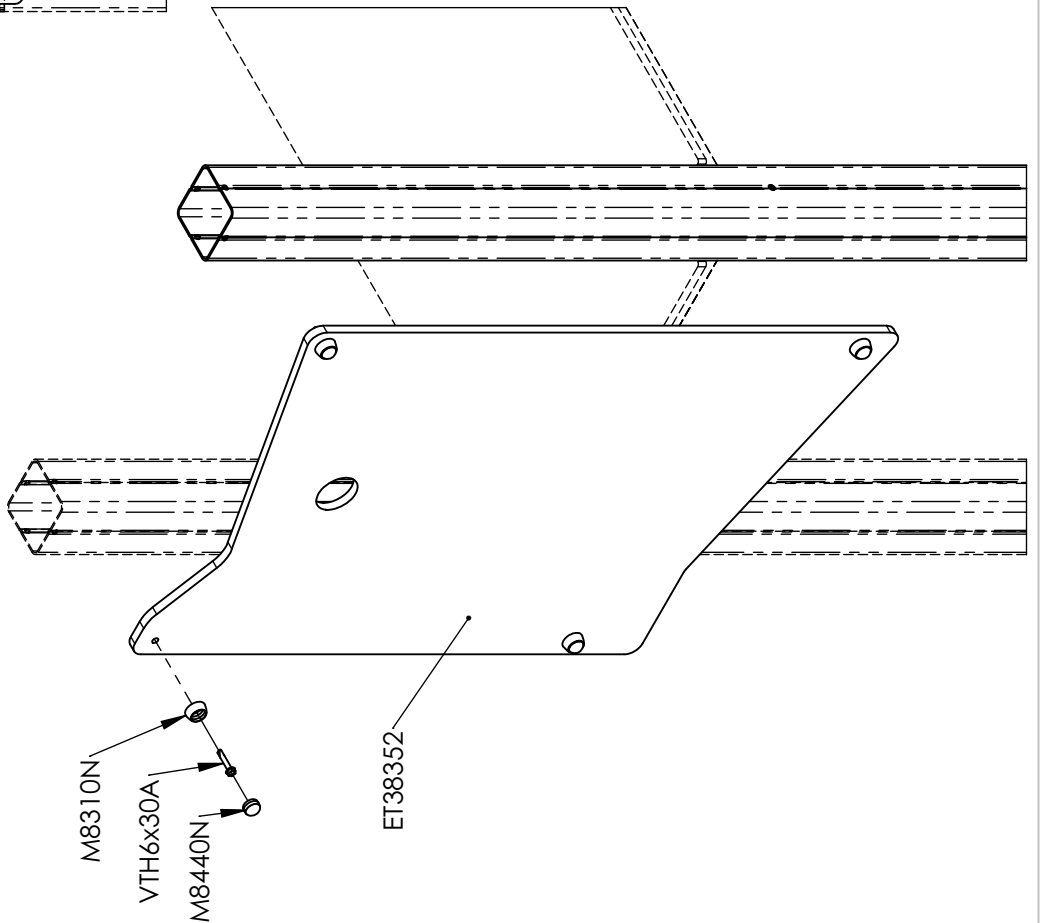
Procluc



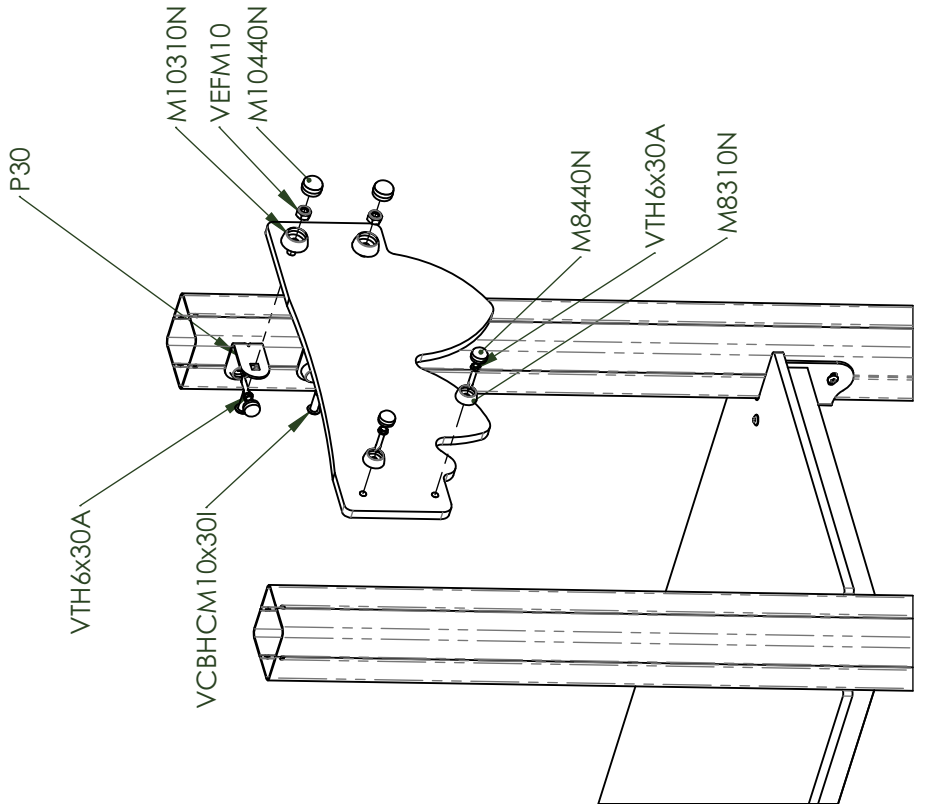
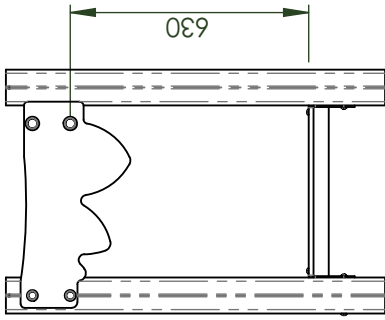
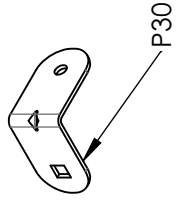
Réf	Qté
FT3859	2
LG3815	1
M8310N	4
M8440N	4
U3849A	2
VCBHC8x30I	21
VEFM10	4



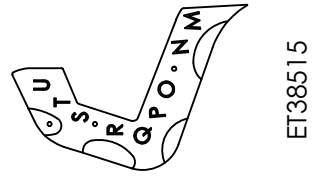
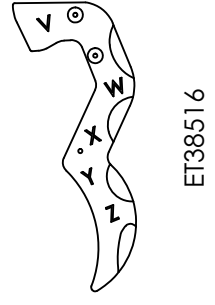
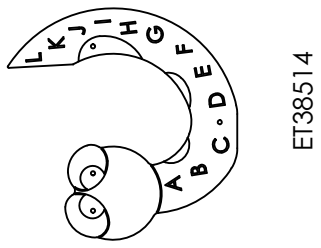
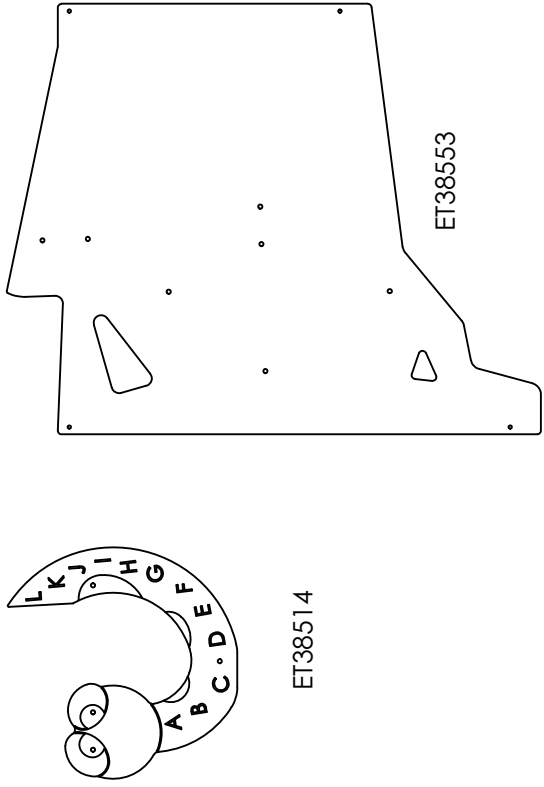
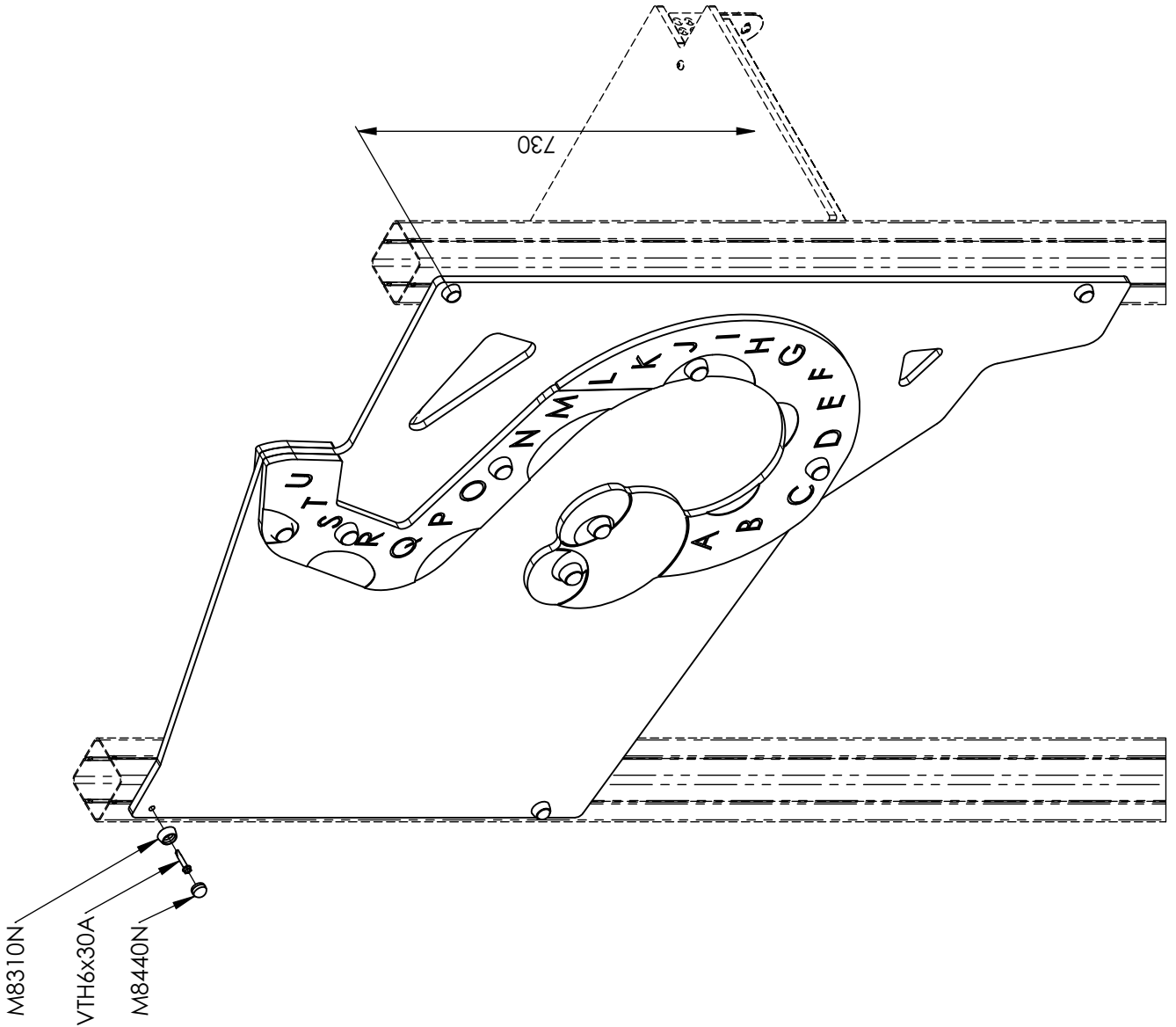
ET38352



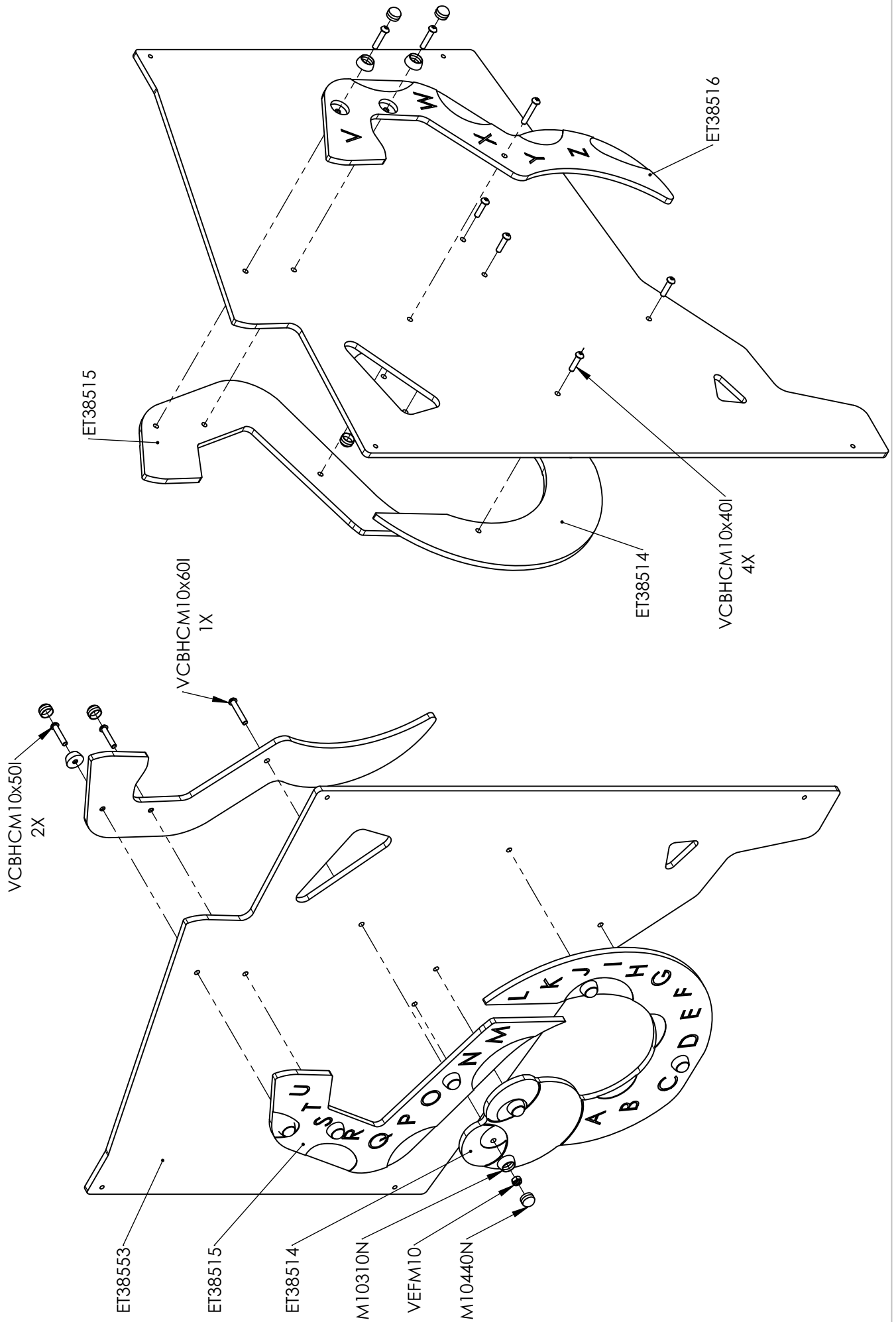
Réf	Qté
ET38352PL	1
M8310N	4
M8440N	4
VTH6x30A	4

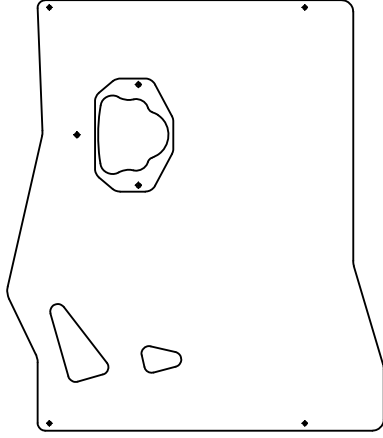
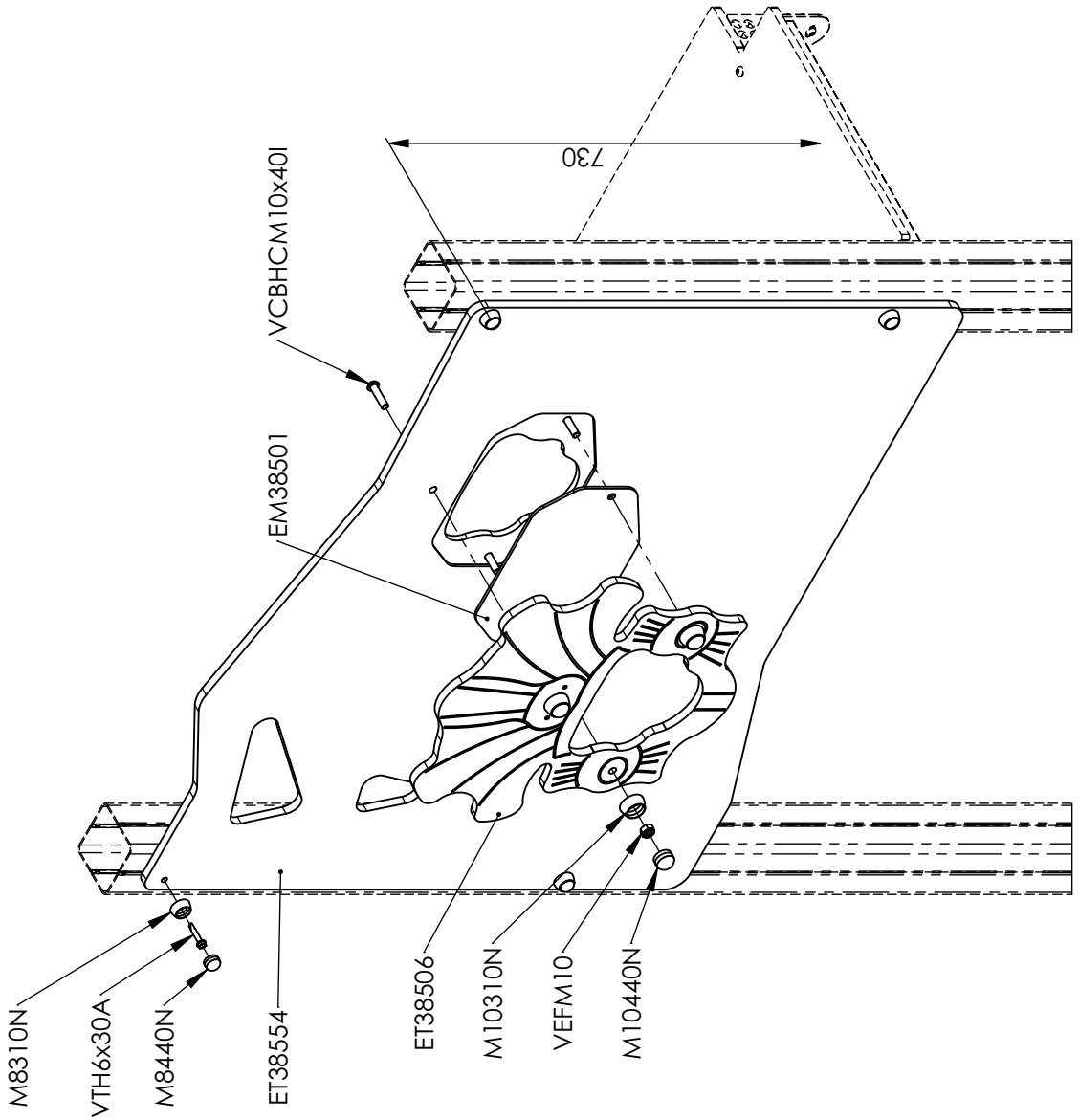


Réf	Qté
ET38550PV	1
M8310N	4
M8440N	4
M10310N	2
M10440N	2
P30	2
VCBHCM10x30I	2
VEFM10	2
VTH6x30A	4



Réf	Qté
ET38514PV	1
ET38515PV	1
ET38516PV	1
ET38553CH	1
M8310N	4
M8440N	4
M10310N	9
M10440N	9
VCBHC M10x40I	4
VCBHC M10x50I	2
VCBHC M10x60I	1
VEFM10	7
VTH6x30A	4

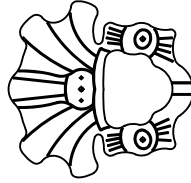




ET38554

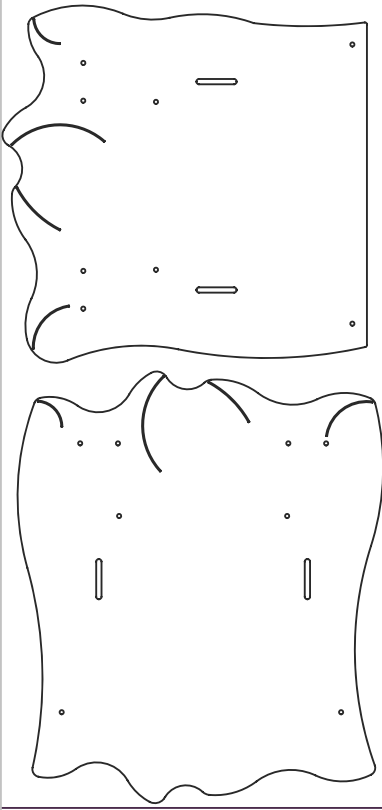
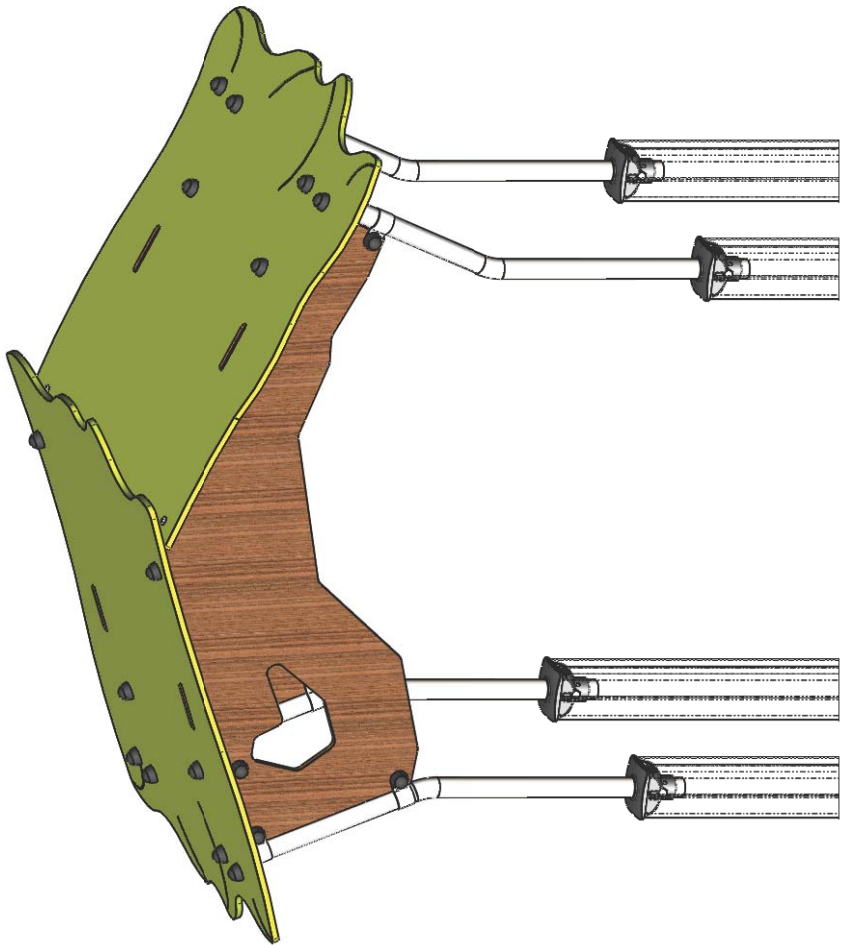


EM38501



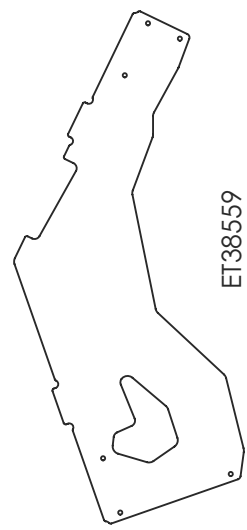
ET38506

Réf	Qté
EM38501	1
ET38506CH	1
ET38554CH	1
M8310N	4
M8440N	4
M10310N	3
M10440N	3
VCBHCM10x40I	3
VEFM10	3
VTH6x30A	4



ET38557

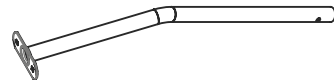
ET38558



ET38559



LAP3800



LI38300



LI4505

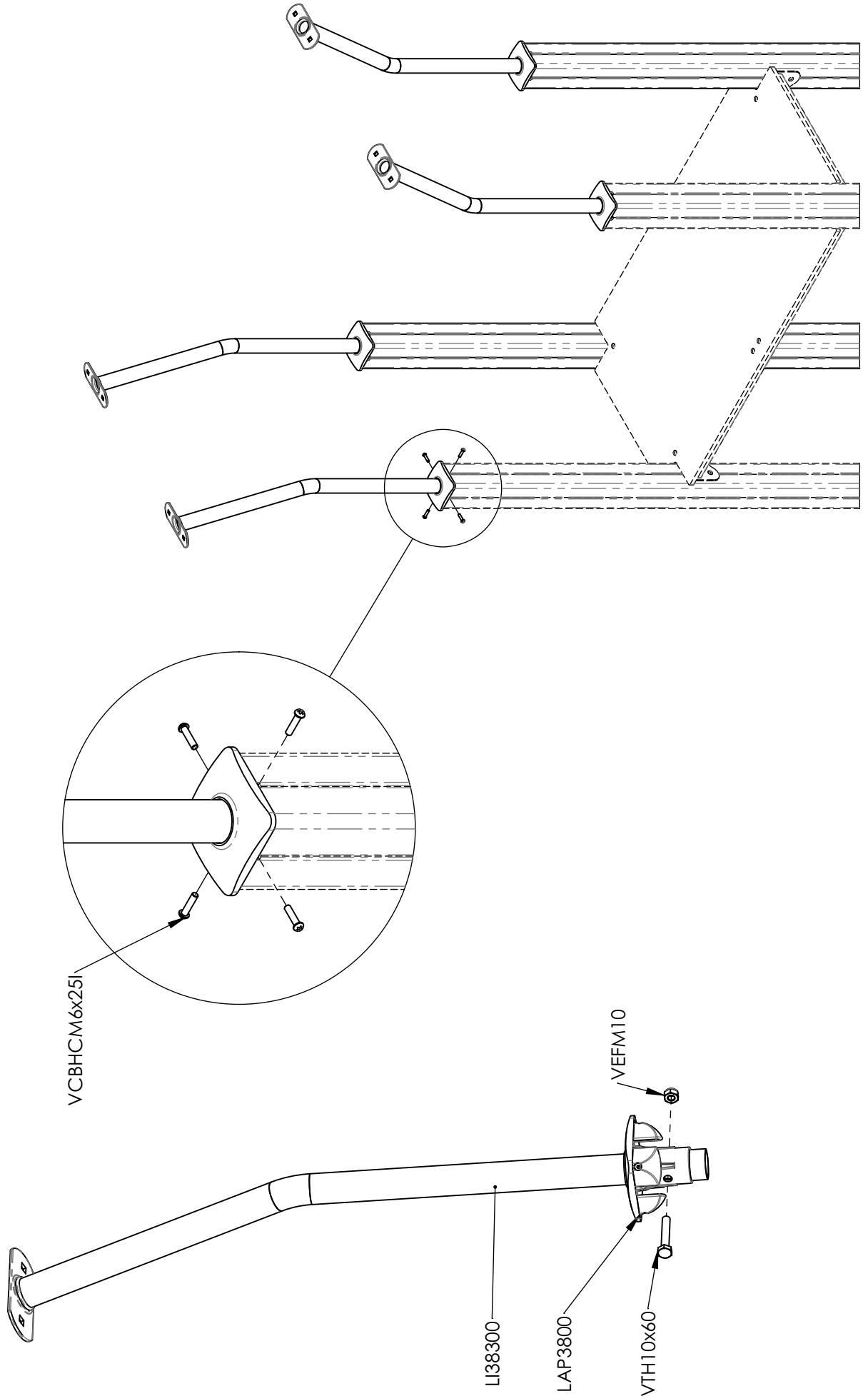


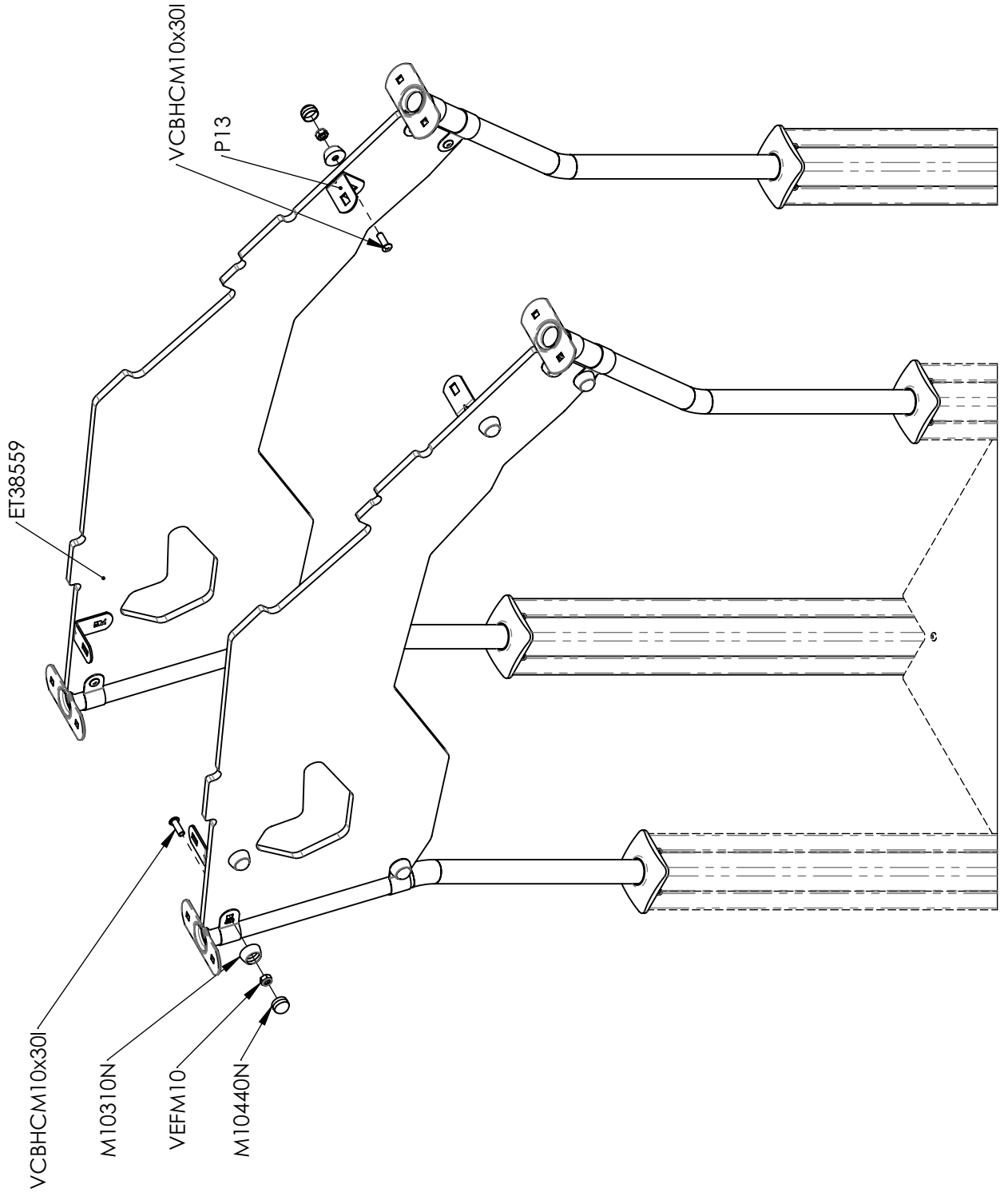
P135

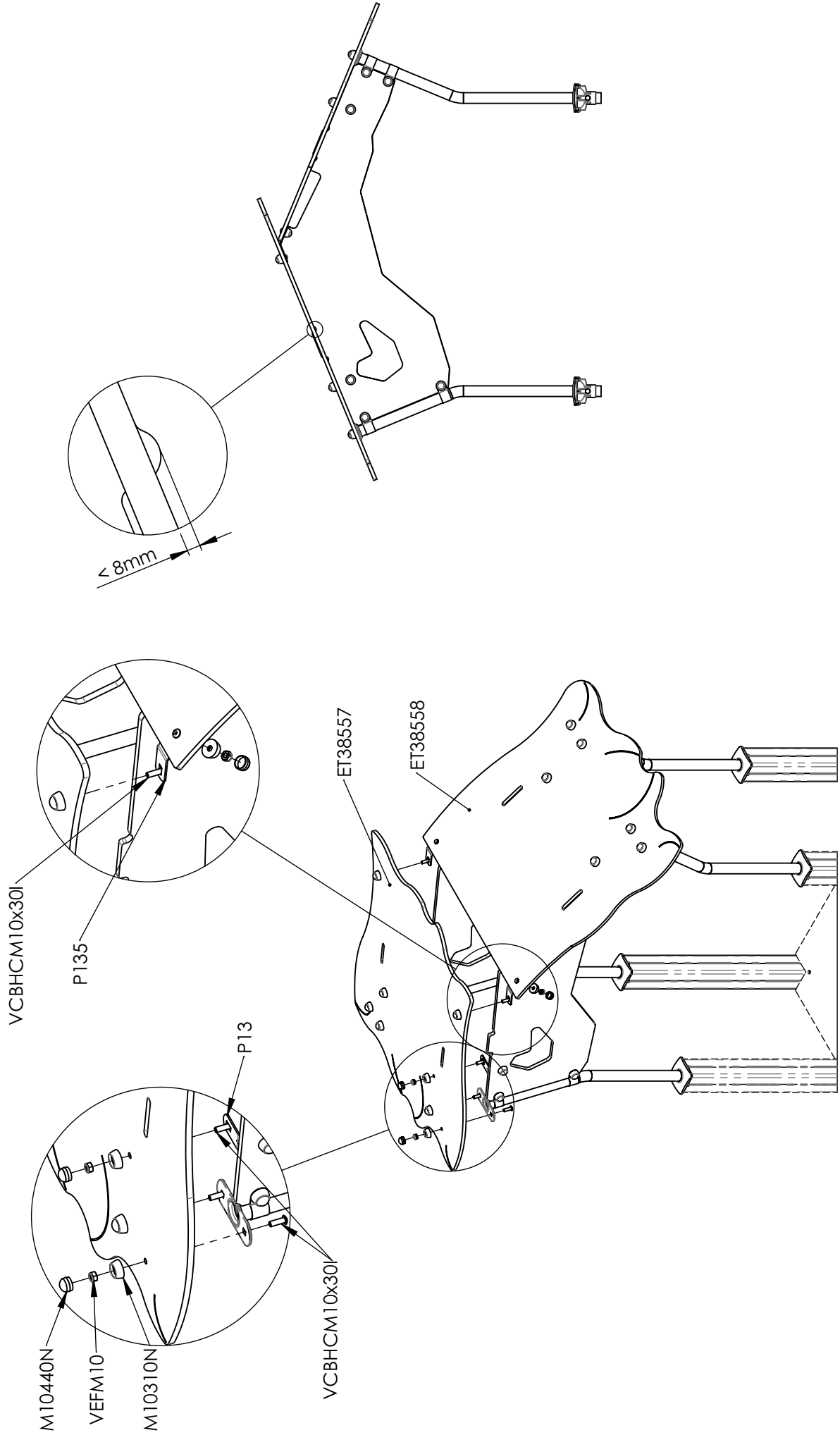


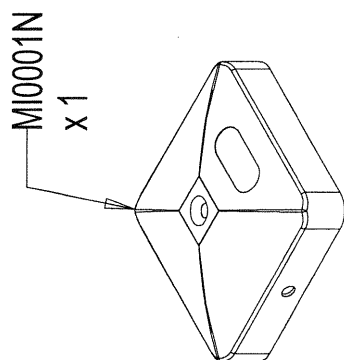
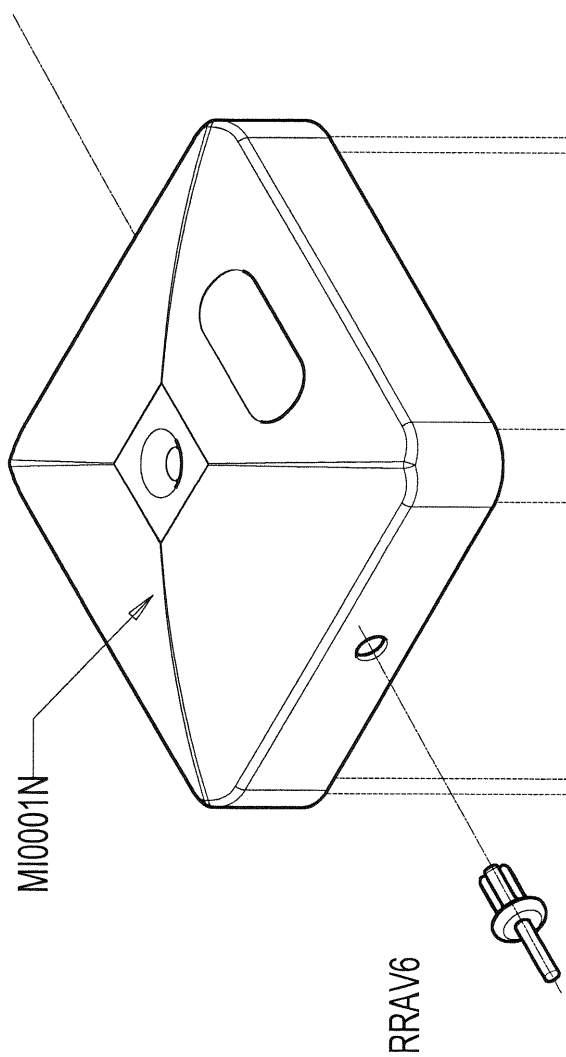
P13

Réf	Qté
ET38557PV	1
ET38558PV	1
ET38559CH	2
LAP3800	4
LI38300	4
M10310N	28
M10440N	28
P13	4
P135	2
VCBHC6M6x25I	16
VCBHC6M10x30I	28
VEFM10	32
VTH10x60	4
LI4505	8



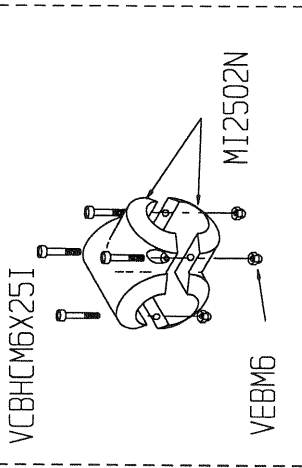




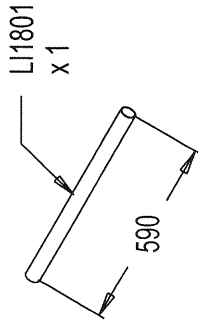
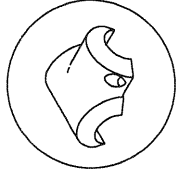


RRAV6

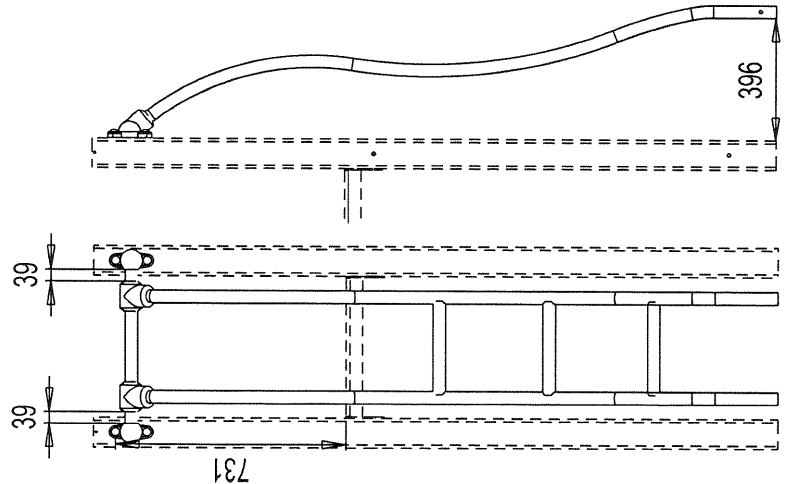
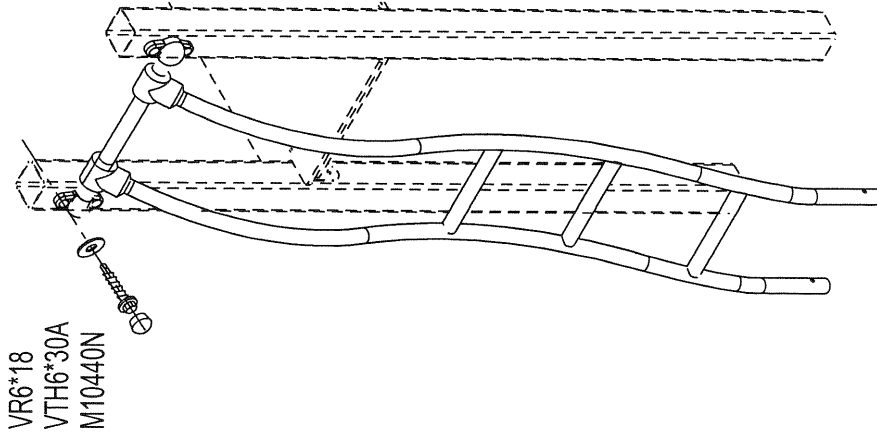
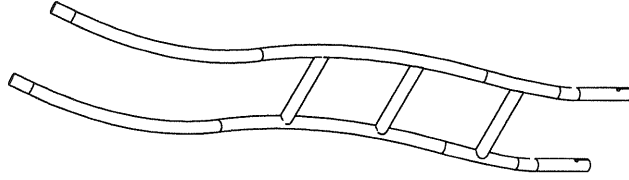
2



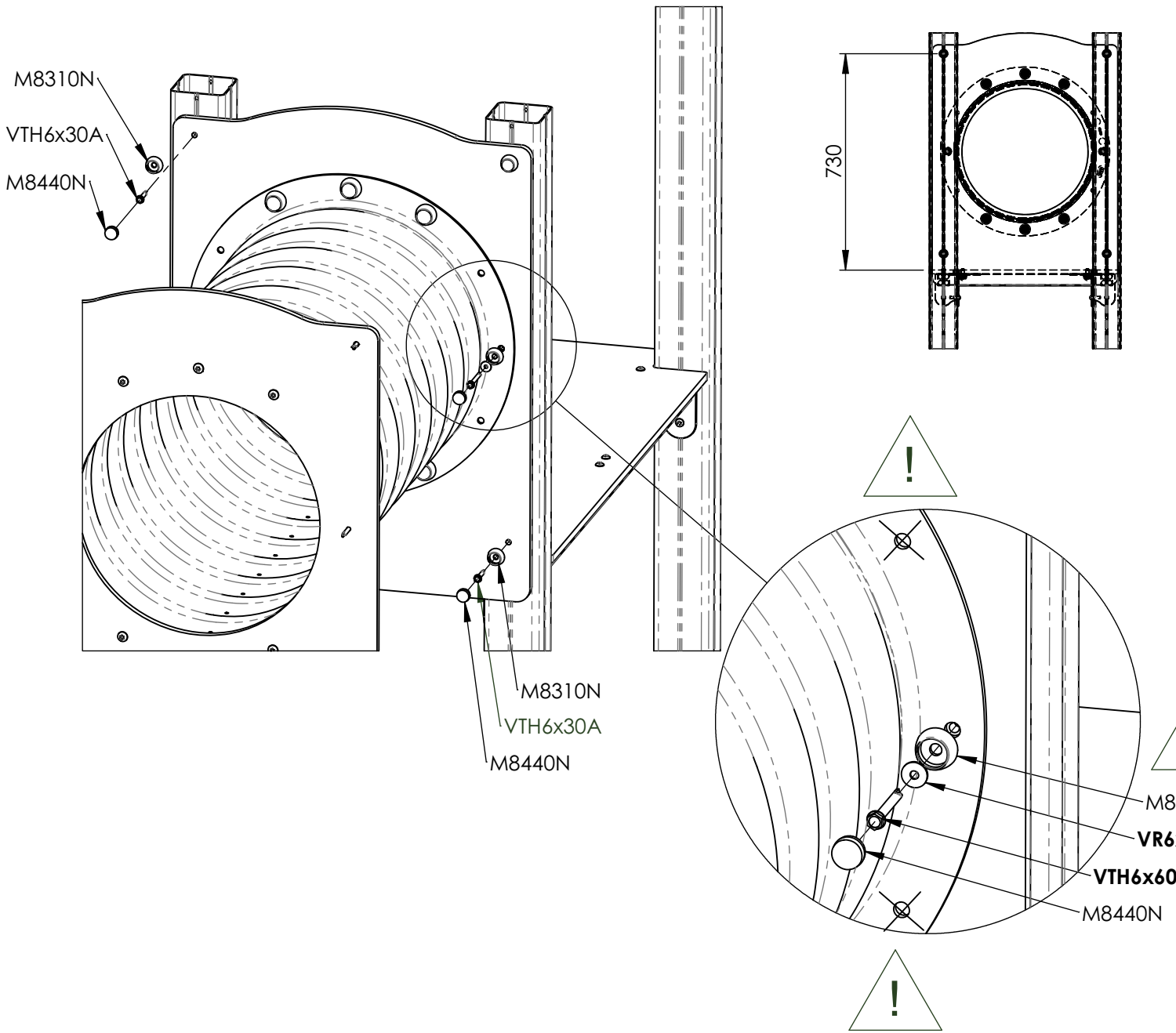
MI2502N x 4

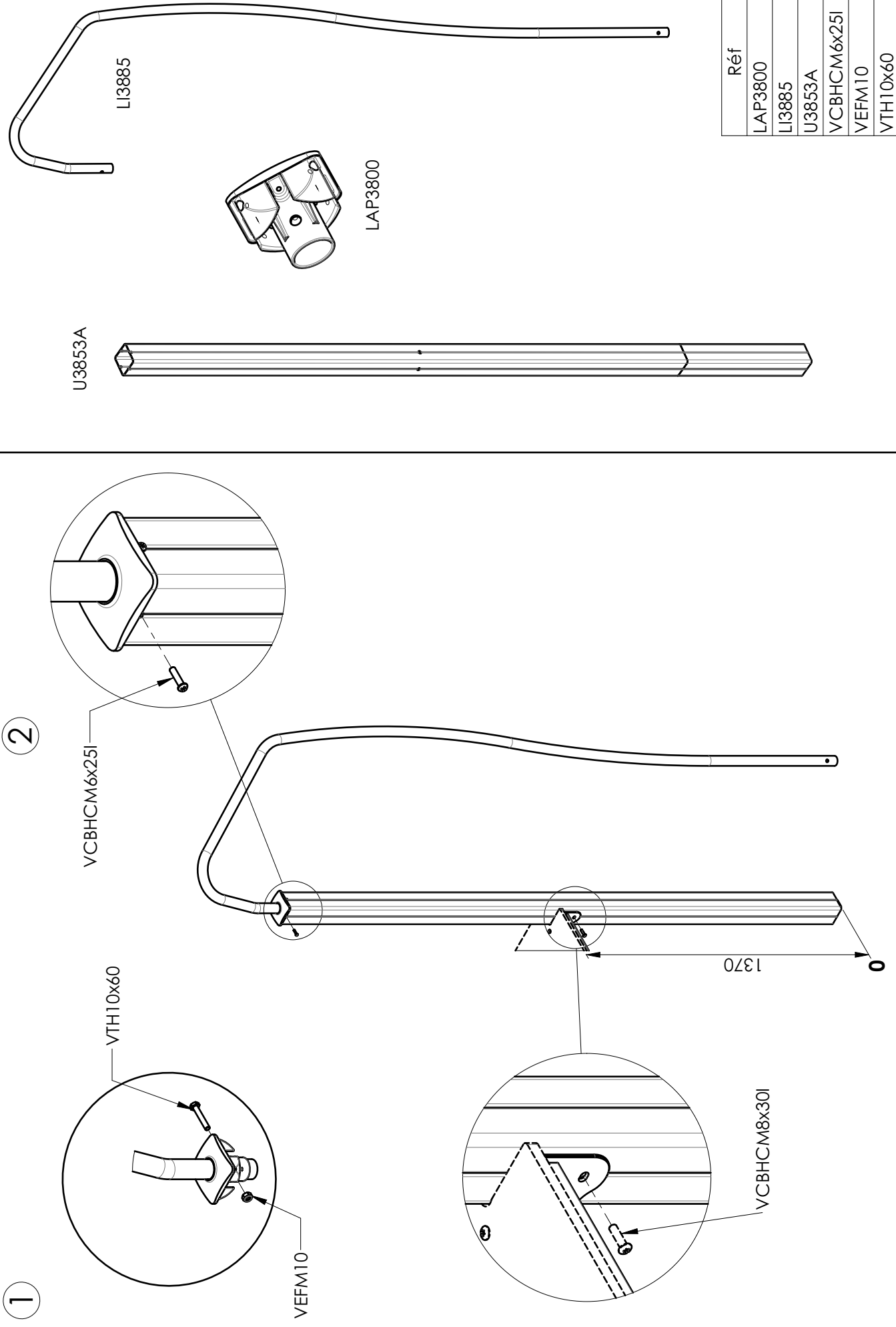


LI33130 x 1



	VR6X18	4
	MI26N	2
	VTH6X30A	4
	VCBH6M6*25I	8
	VEBM6	8
	M10440N	4





1

2

VTH10x60

VEFM10

VCBHCM6x25I

VCBHCM8x30I

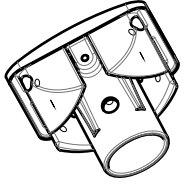
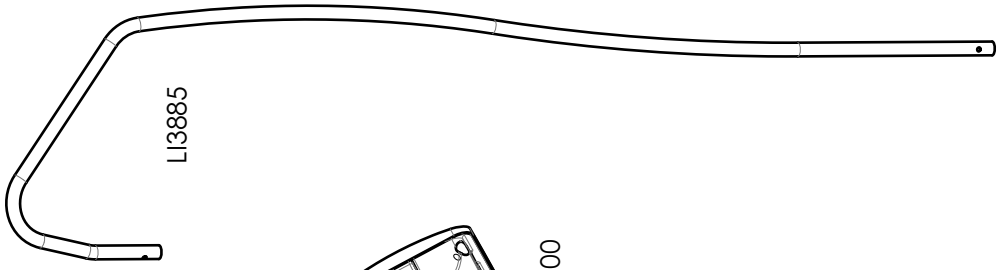
1370

0

U3853A

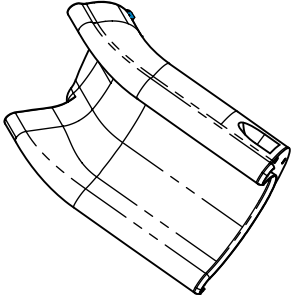
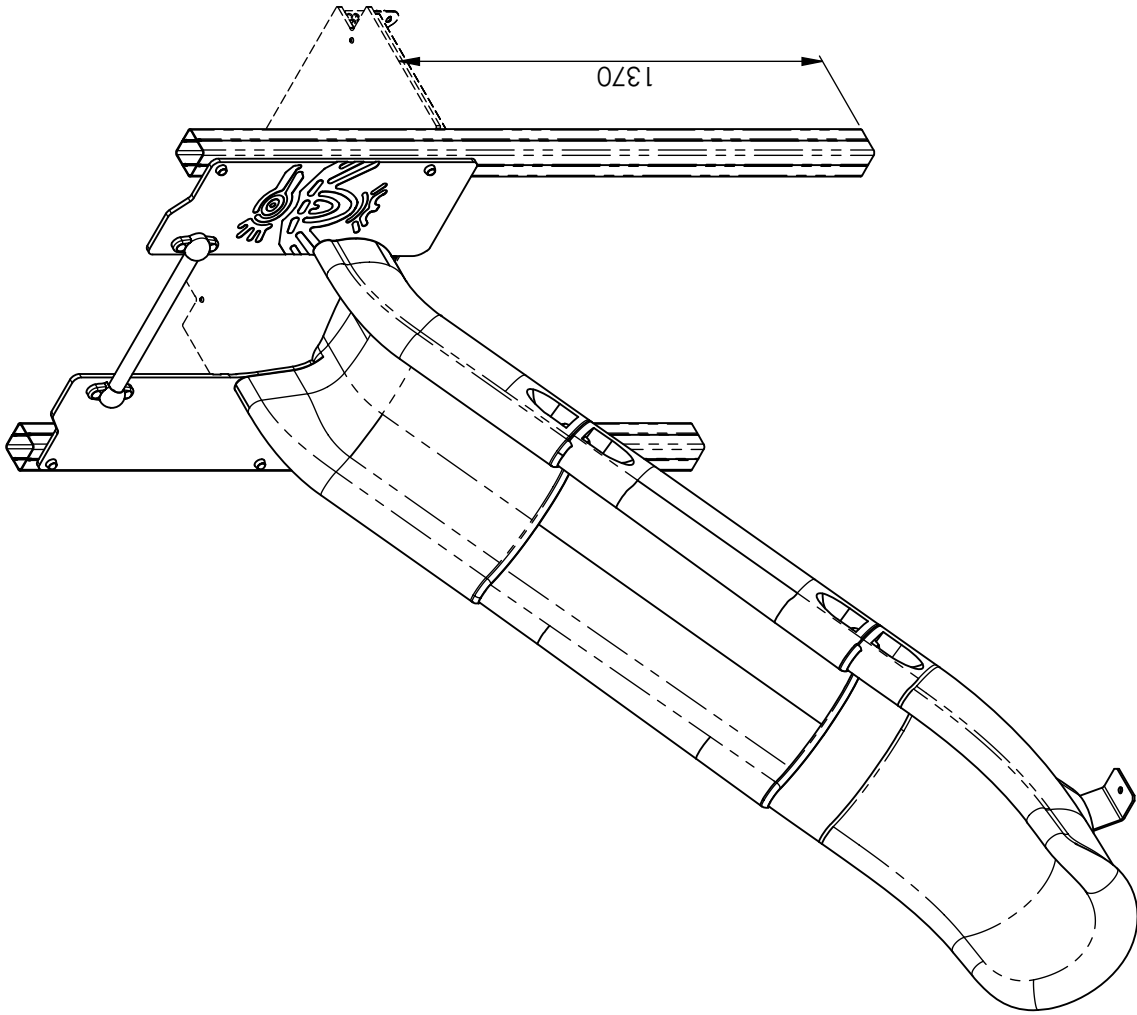


LI3885

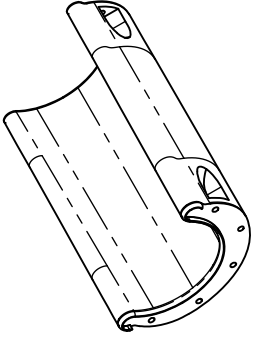


LAP3800

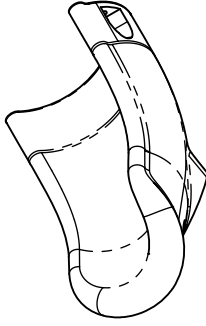
Réf	Qté
LAP3800	1
LI3885	1
U3853A	1
VCBHCM6x25I	4
VEFM10	1
VTH10x60	1



M4501



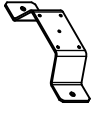
M4503



M4506



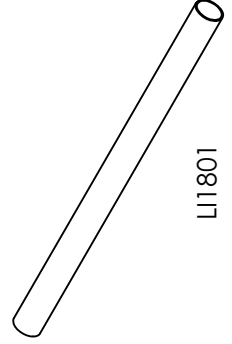
MI26N



LG4505



ET38555



LI1801

Réf	Qté
ET38555CH	2
LG4505	1
LI1801	1
M4501	1
M4503	1
M4506	1
M8310N	4
M8440N	4
M10310N	24
M10440N	28
MI26N	2
VBT6x50	5
VCBHC10x30I	4
VCBHC10x40I	4
VEFM10	14
VTH6x30A	4
VTH10x70	10
VBT6x30	2

