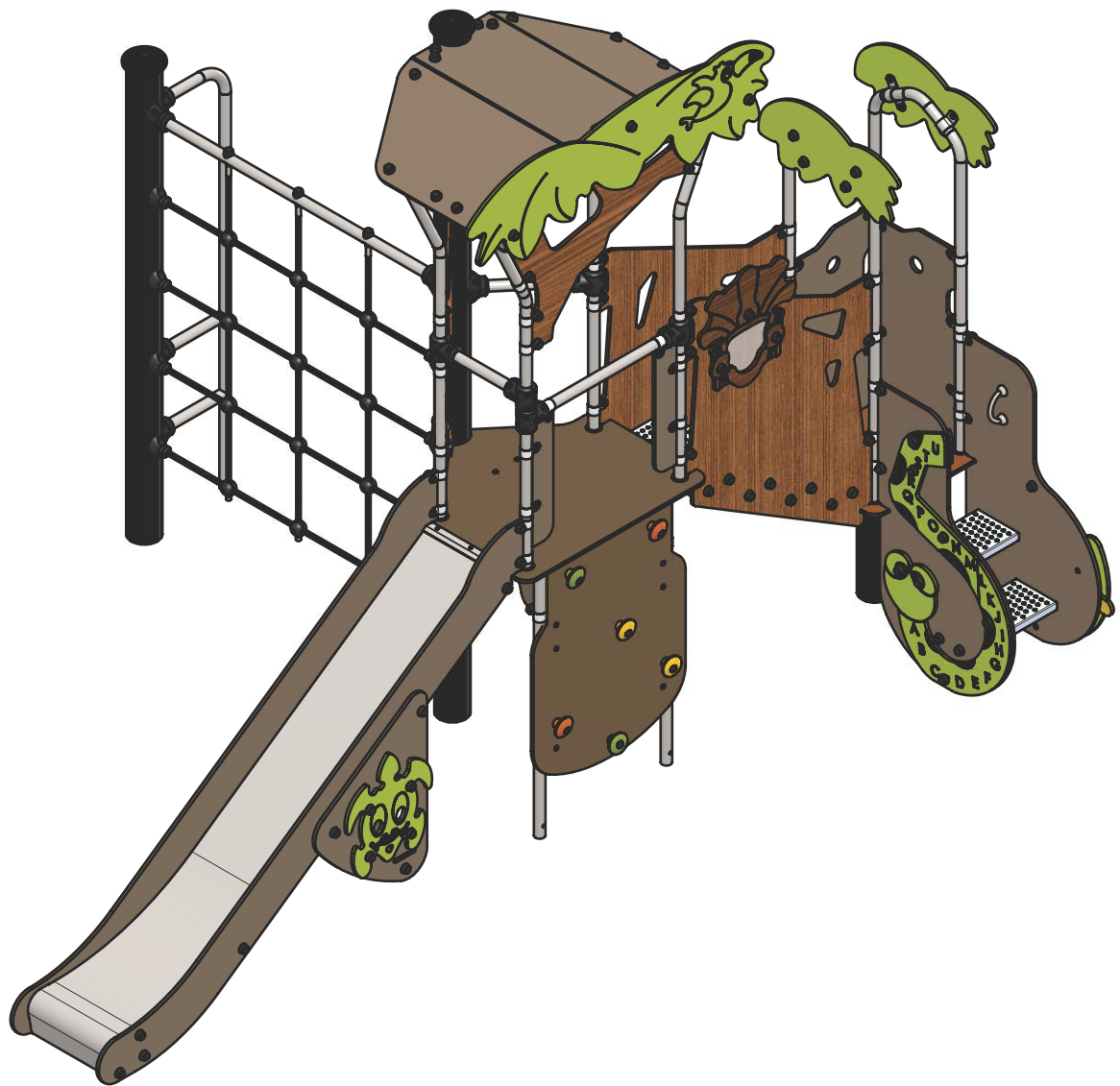


J38504

Proludic





N°		
1	0.6 m	6 m ²
2	1 m	5.5 m ²
3	1.17 m	8.5 m ²
4	1.8 m	13 m ²

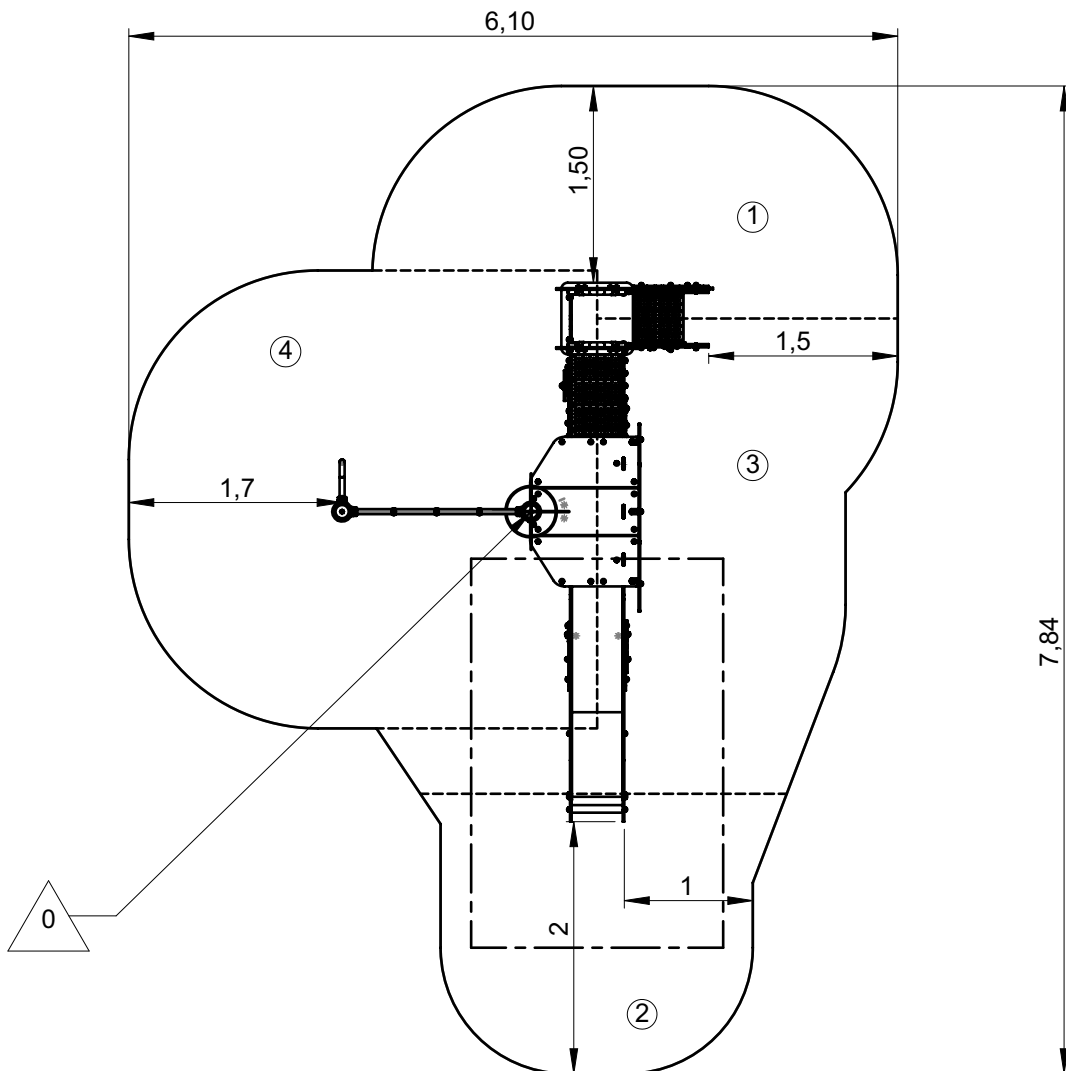
— Zone d'impact
Impact area
Area de impacto
Fallraum
Valzone

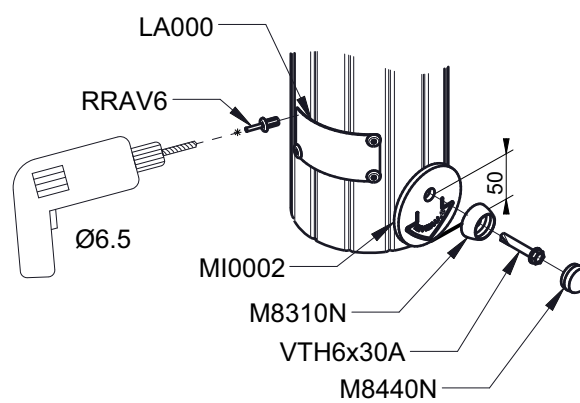
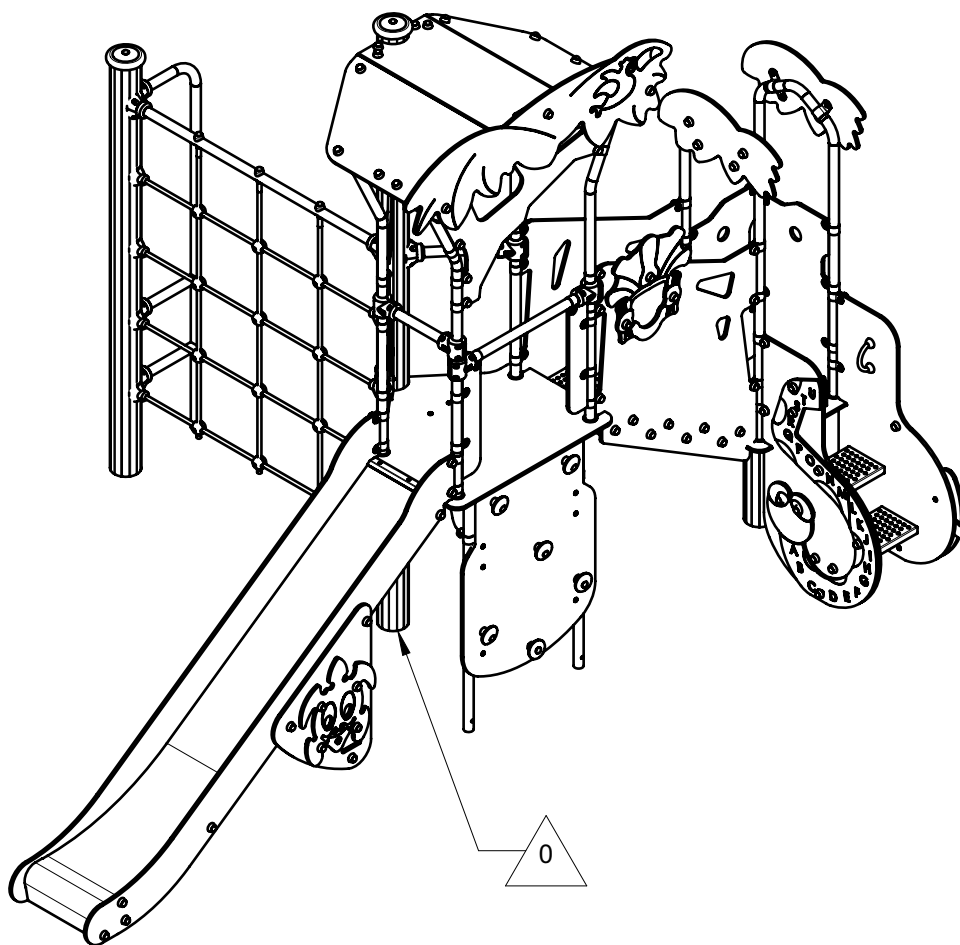


Point de référence
Setting out point
Punto de referencia
Bezugspunkt
Referentiepunt

- - - Espace libre
Free space
Espacio libre
Freiraum
Vrije ruimte

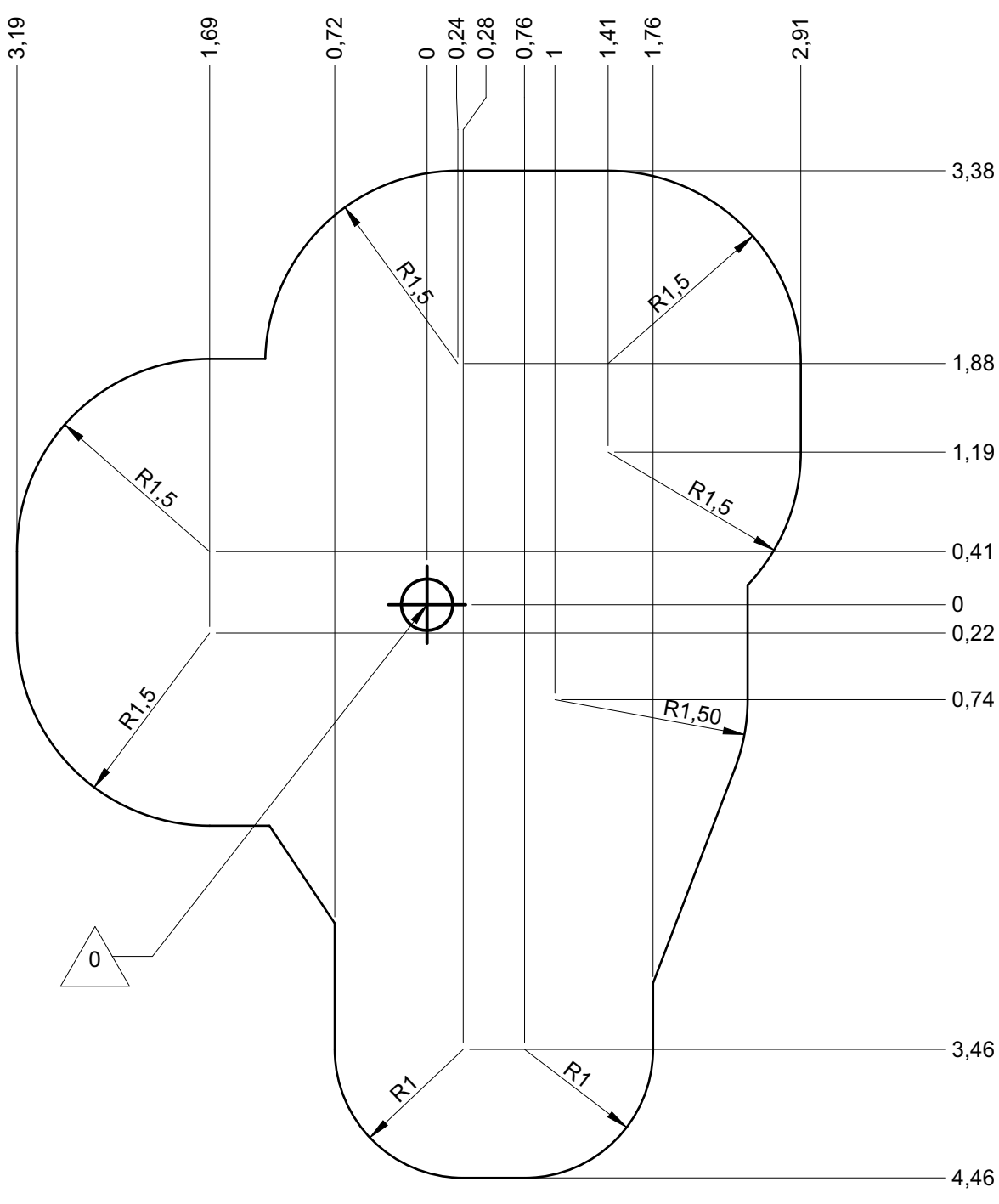
EN1176-1:2017
EN1176-3:2017





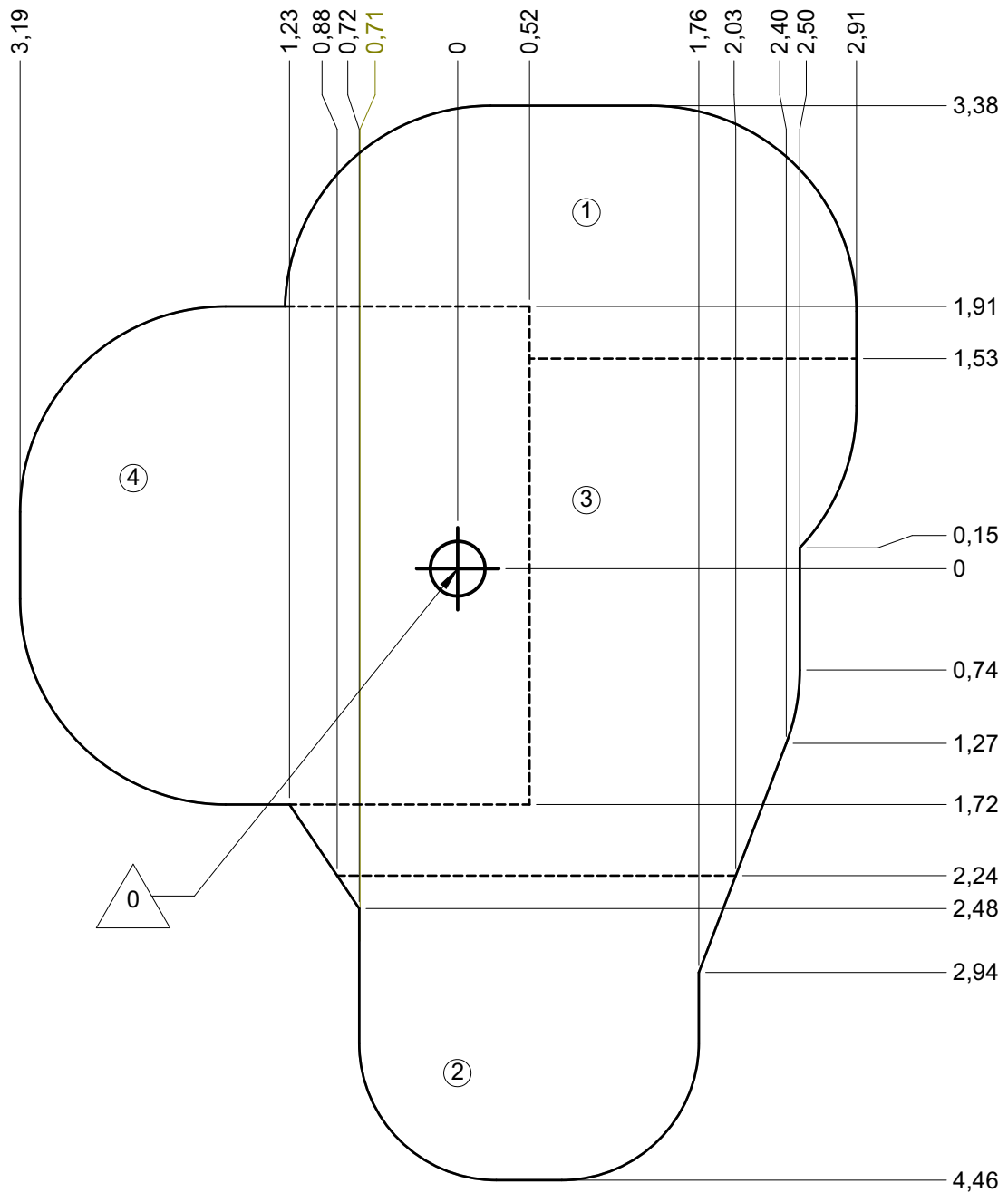
— Zone d'impact
 Impact area
 Area de impacto
 Fallraum
 Valzone

33 m²



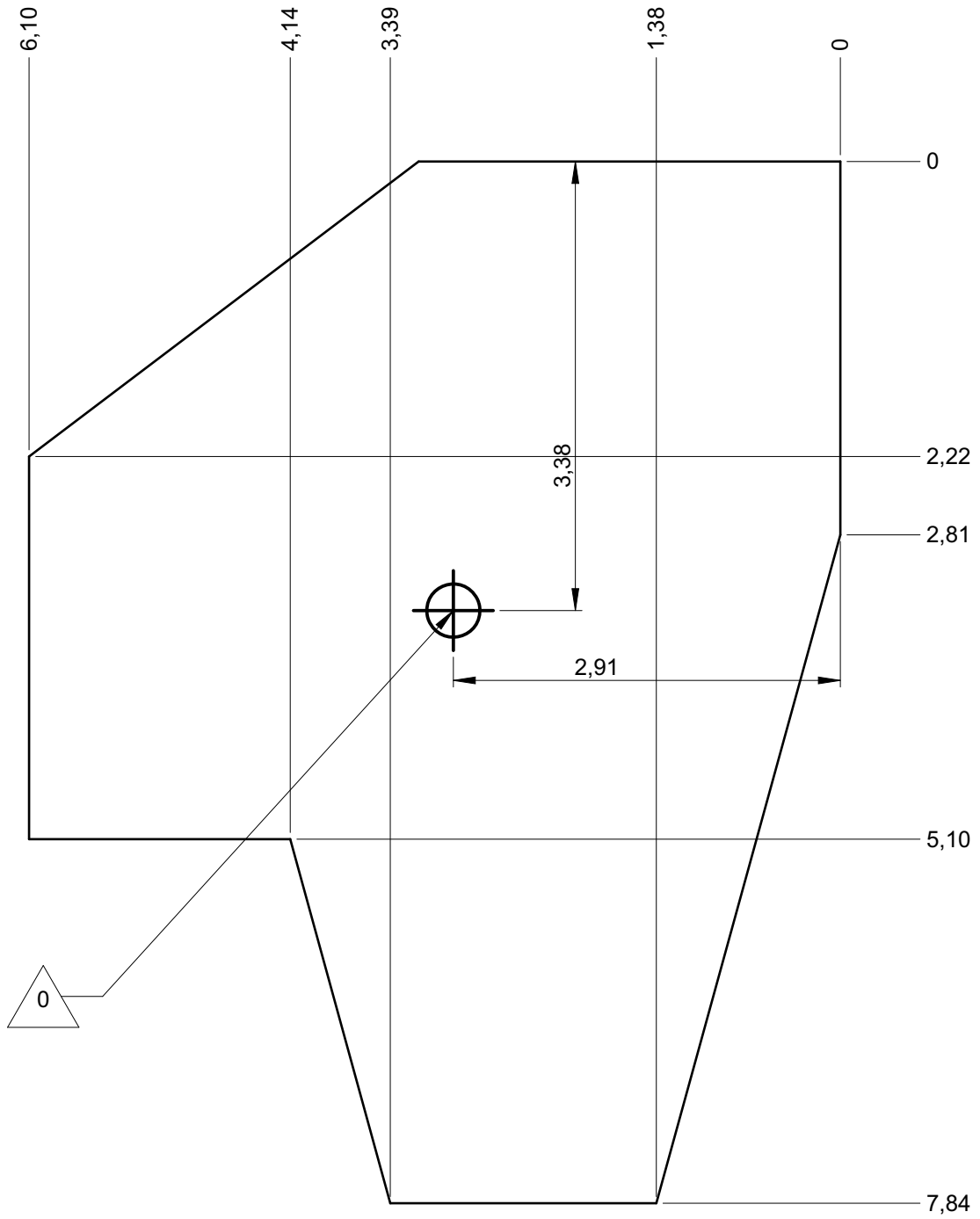
— Sol souple
 Wepour
 Caucho continuo
 Synthetischer fallschutz
 Gietvloer

33 m²

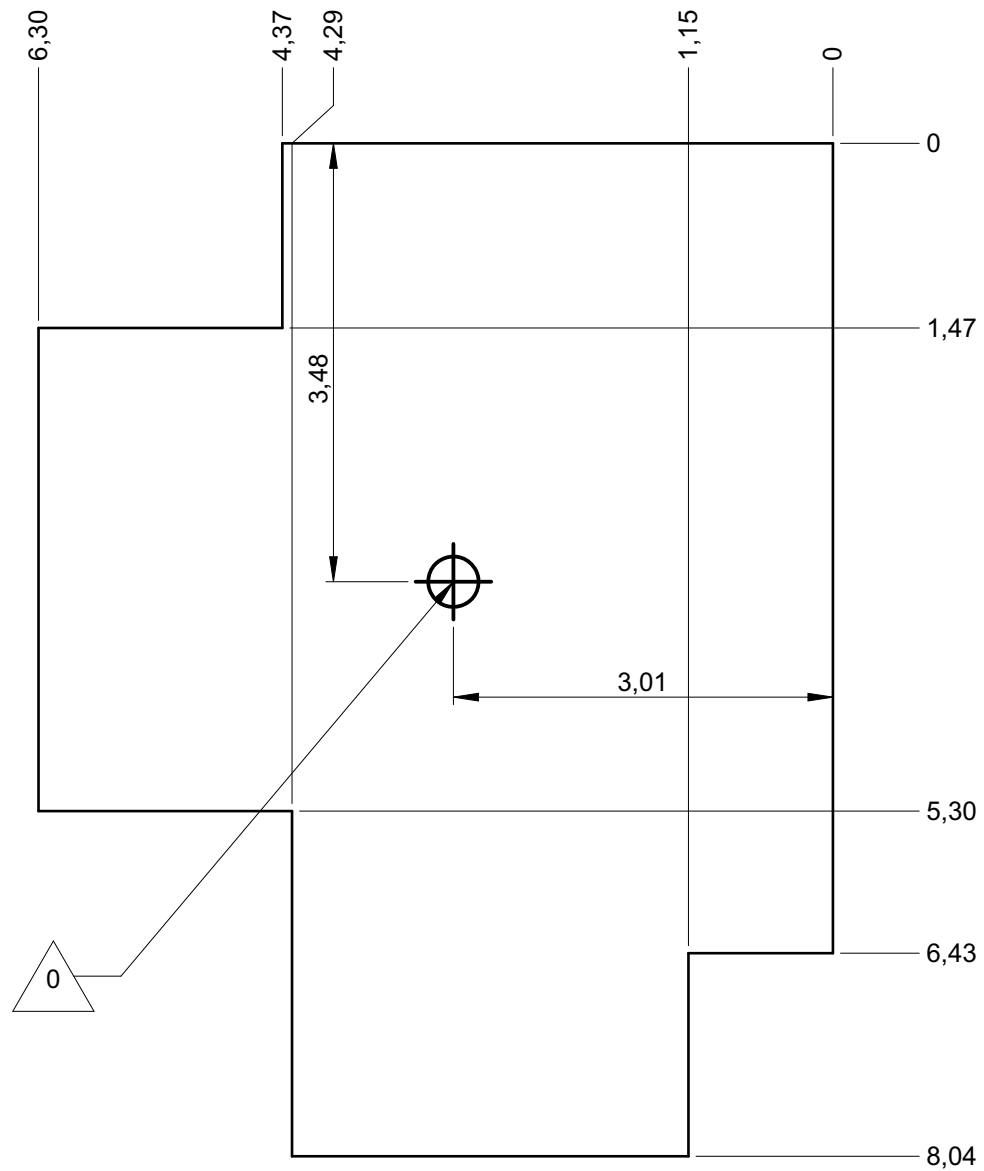


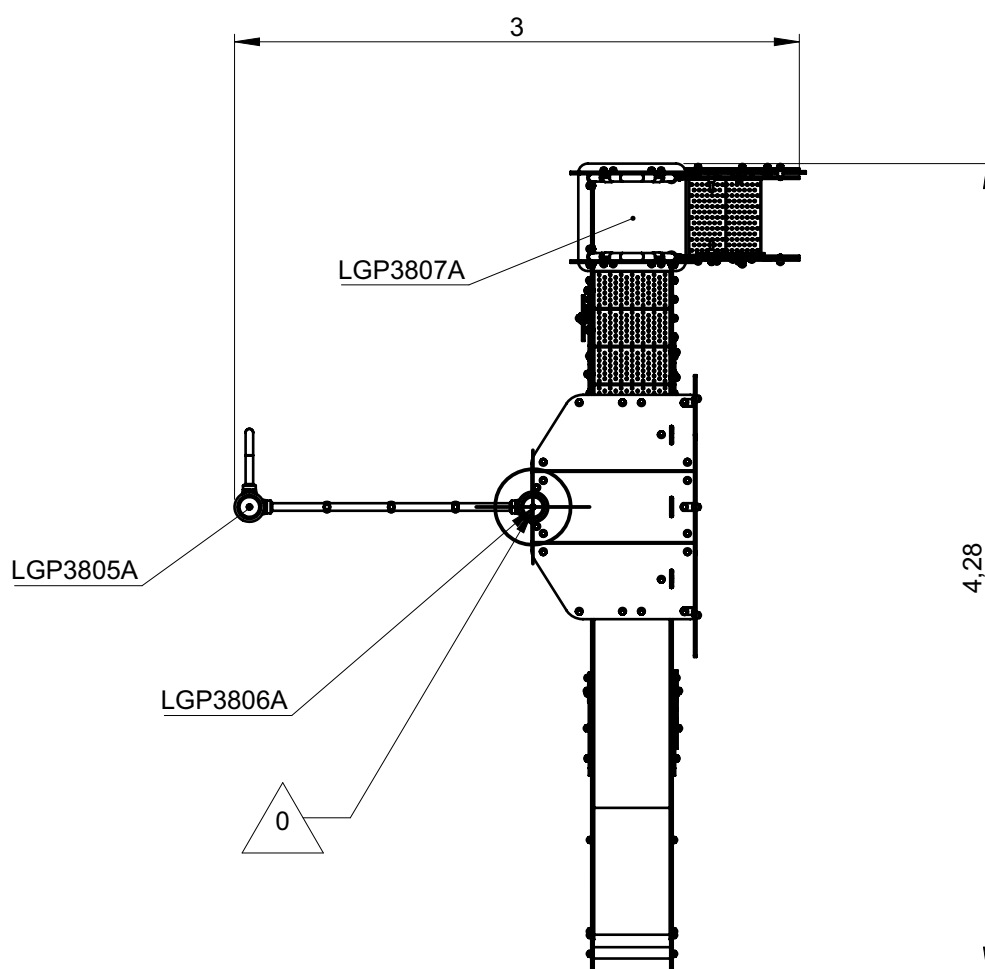
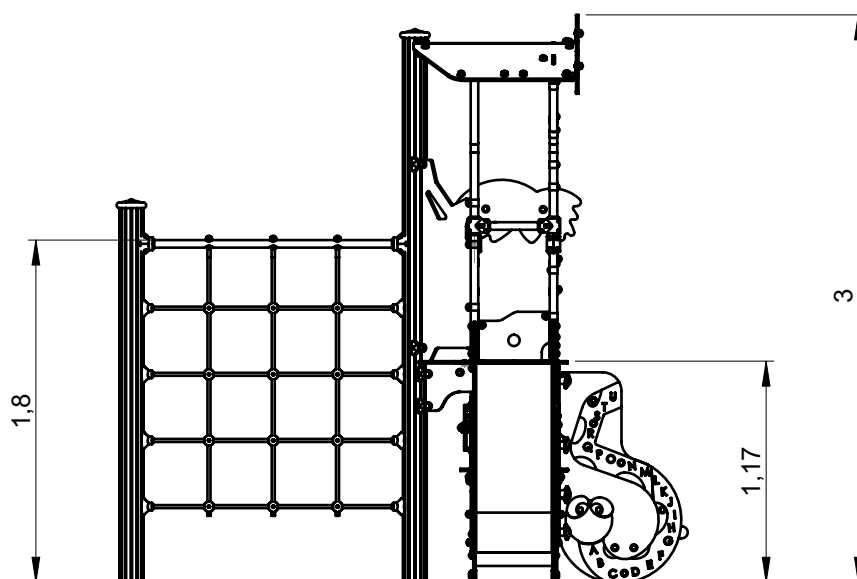
— Dalle béton
 Concrete pad
 Solera de hormigon
 Beton bodenplatte
 Betonnen bodemplaat

26 m
 35 m²



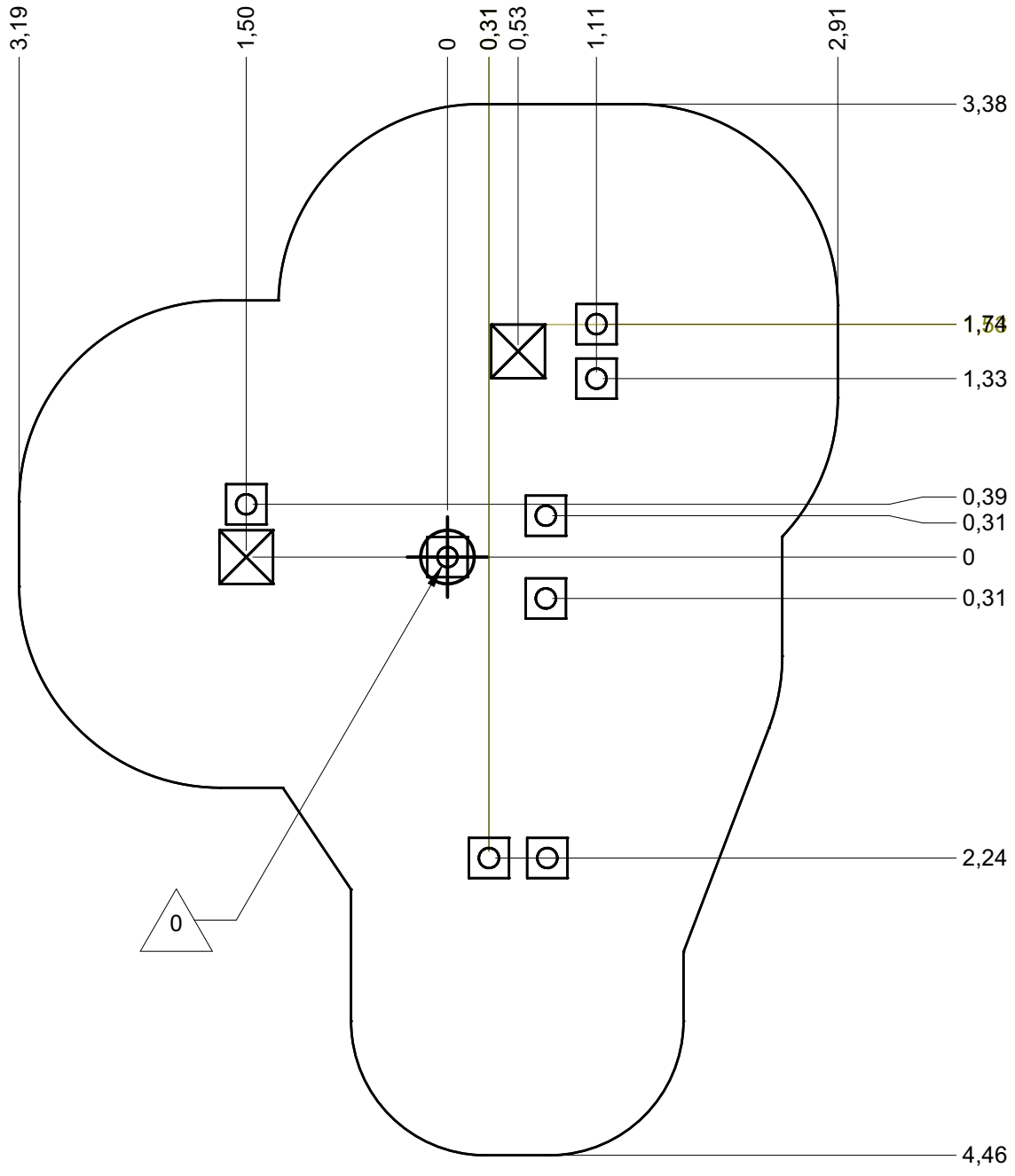
— Sol fluent
 Loos partucule material 30 m
 Arenero
 Loses Bodenmaterial 40.5 m²
 Los bodemmaterial



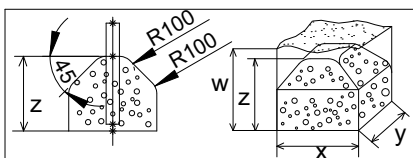


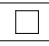


J38504A

Implantation
 Footing plan
 Implantación
 Fundomentplan
 Funderingstekening

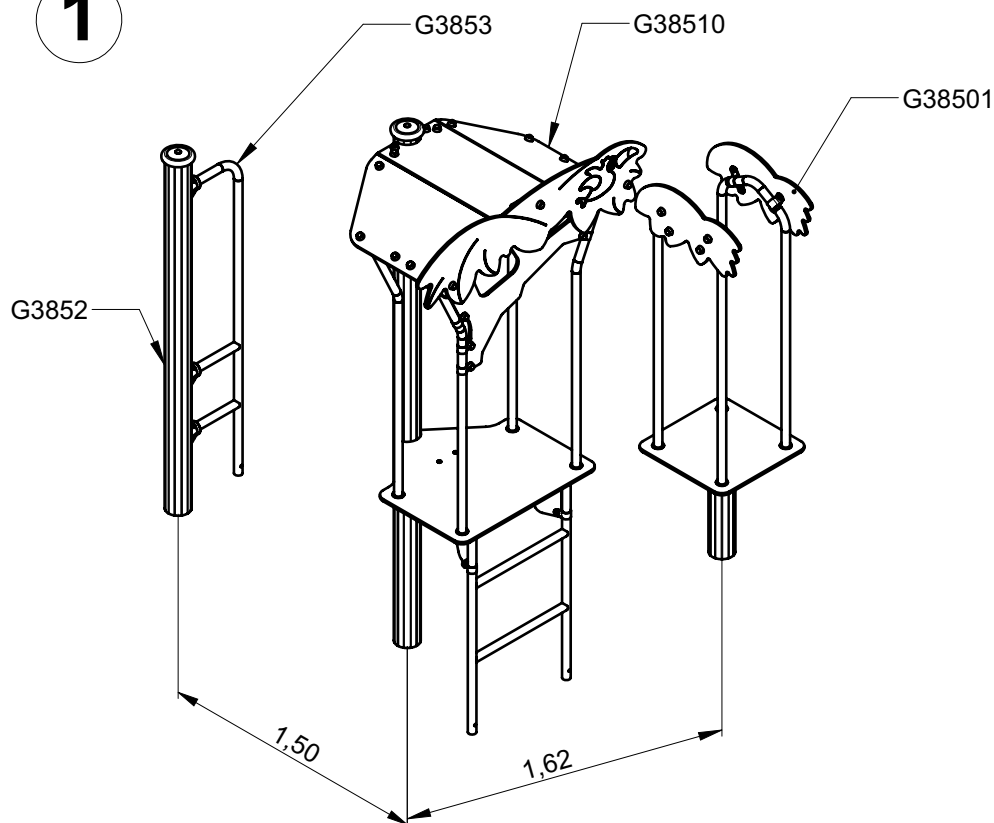


 x2
 12H
 0.2 m³

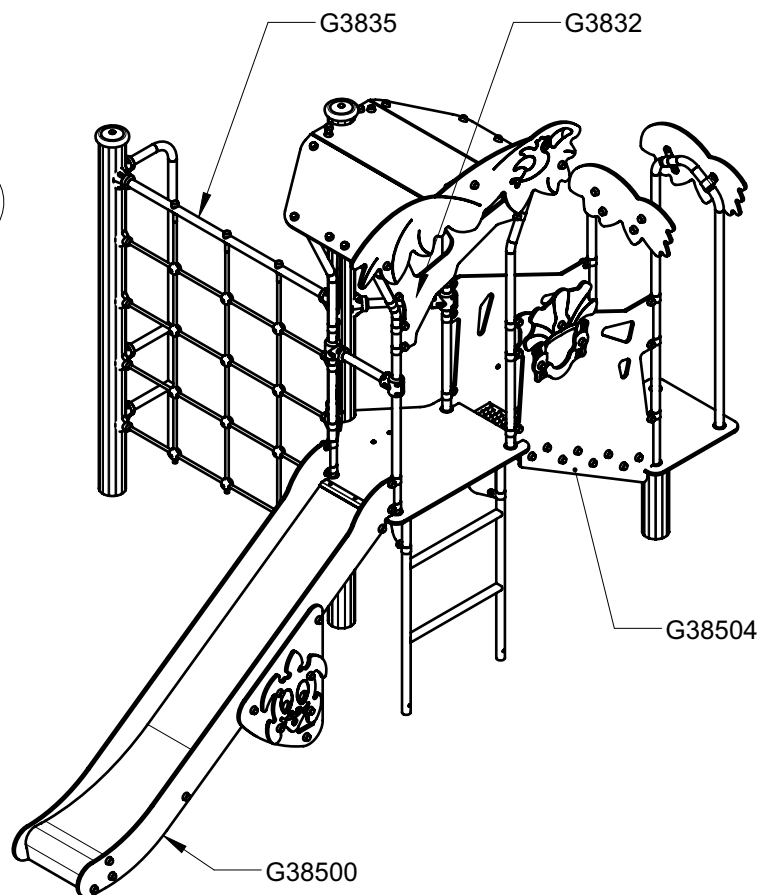


	x	y	z	w
	0.3	0.3		0.6
	0.3	0.3	0.3	0.6
	0.4	0.4	0.3	0.6

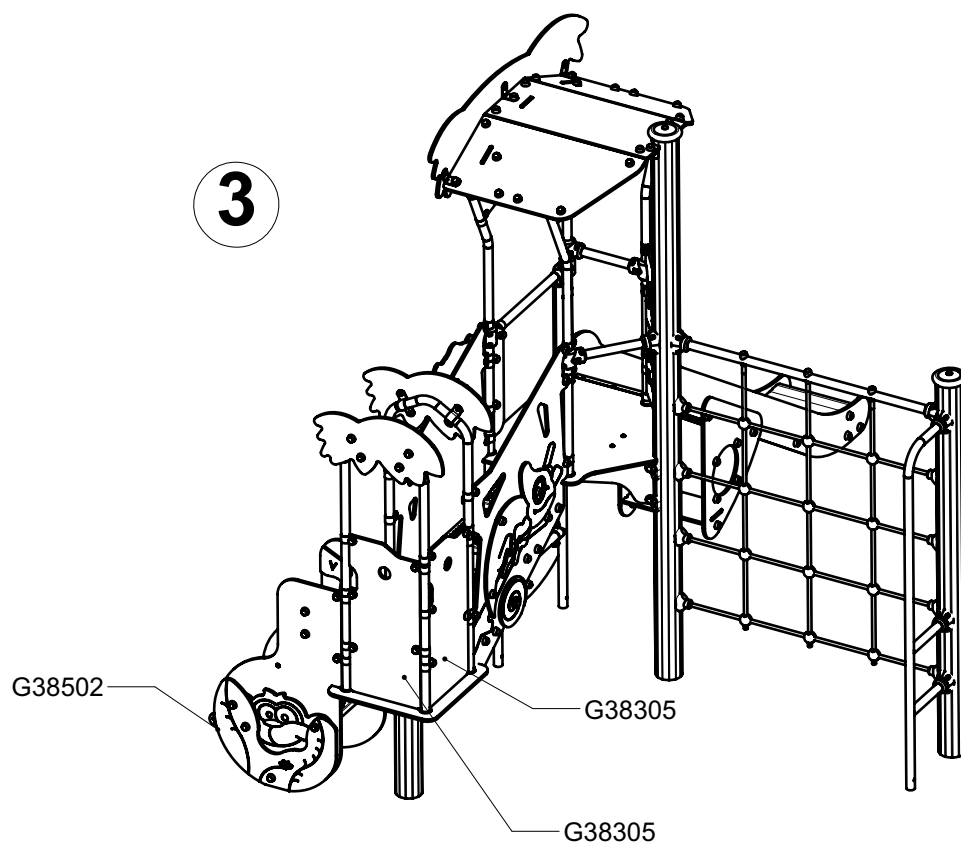
1



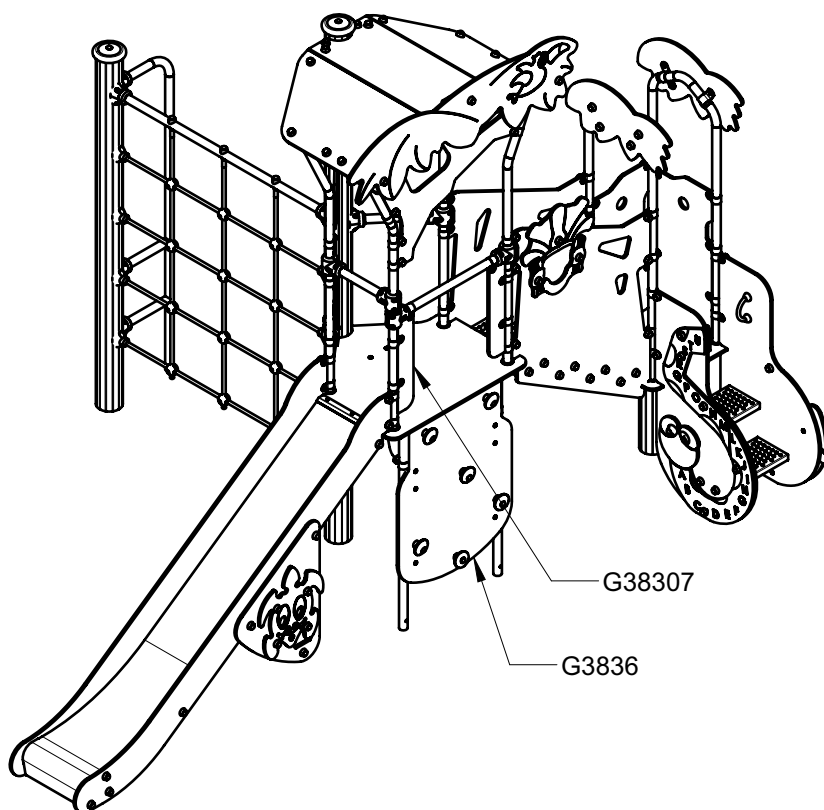
2

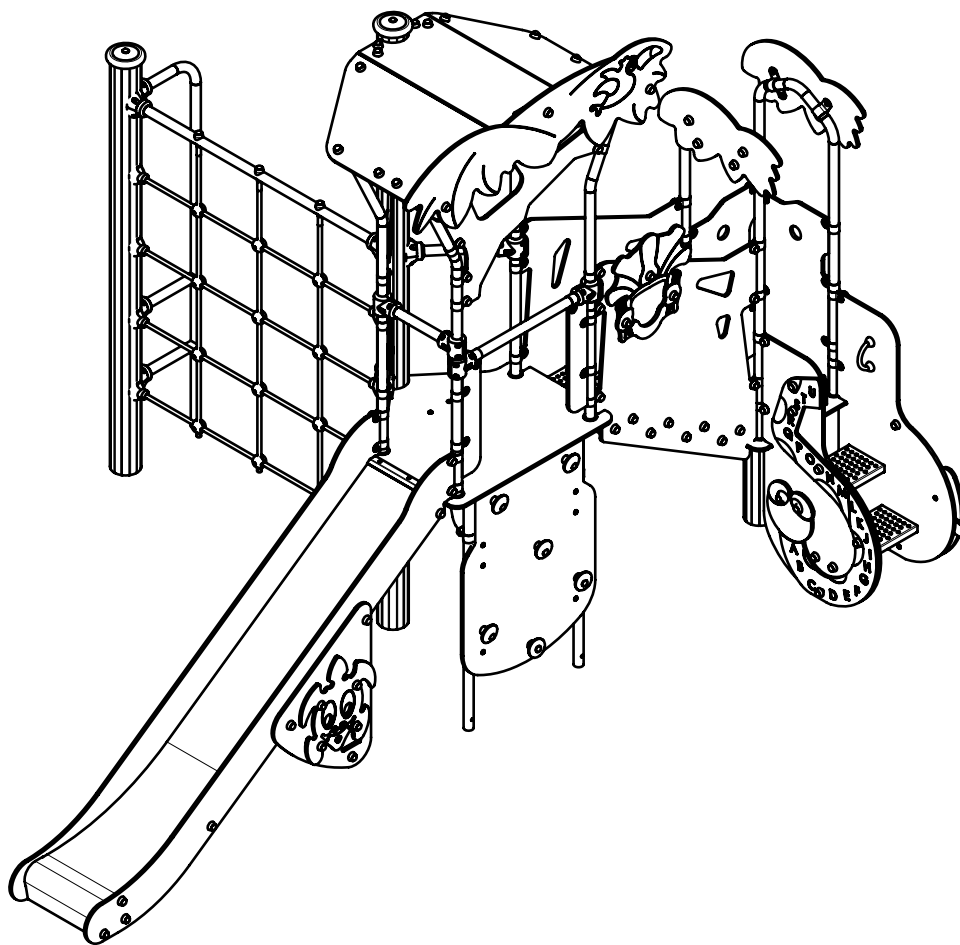


3

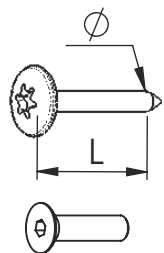


4





G3832	1
G3835	1
G3836	1
G3852	1
G3853	1
G38305	2
G38307	1
G38500	1
G38501	1
G38502	1
G38504	1
G38509	1
G38510	1



VBT 6 x 30
 \varnothing \uparrow L (mm)

VFHC



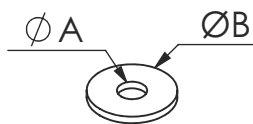
VEC M10
 \varnothing



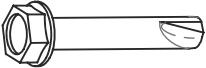
VEF




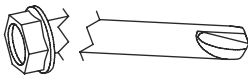
VEB



VR6x18
 $\varnothing A$ $\varnothing B$




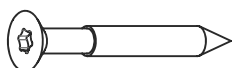
VTHA

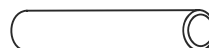
1000 - 1800 tr/min
 Vitesse de rotation
 Rotation speed

14 N.m
 Couple de rupture
 Torque of break

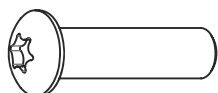




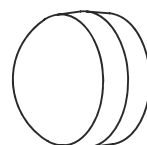
VWT



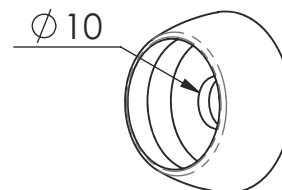
VGC



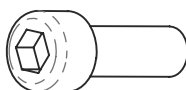
VCBHC



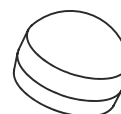
M10 440N



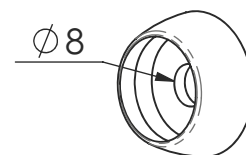
M10 310 N



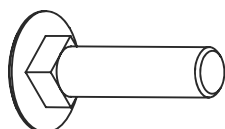
VBTR



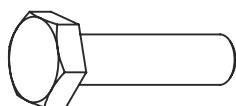
M8440N



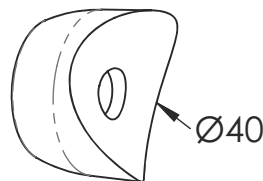
M8310N



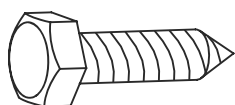
VTRCC



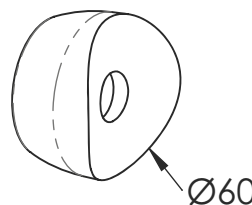
VTH



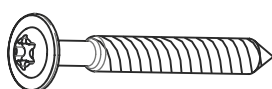
MI2503



VTF



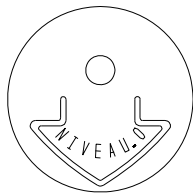
MI2701



VBT

A

Proludic



MI0002

VCBHCM10

M10310N
VEFM10
M10440N

LG08

M10440N
VEFM10
MI2503

LG3802

M10440N
VTH10*80
MI2503

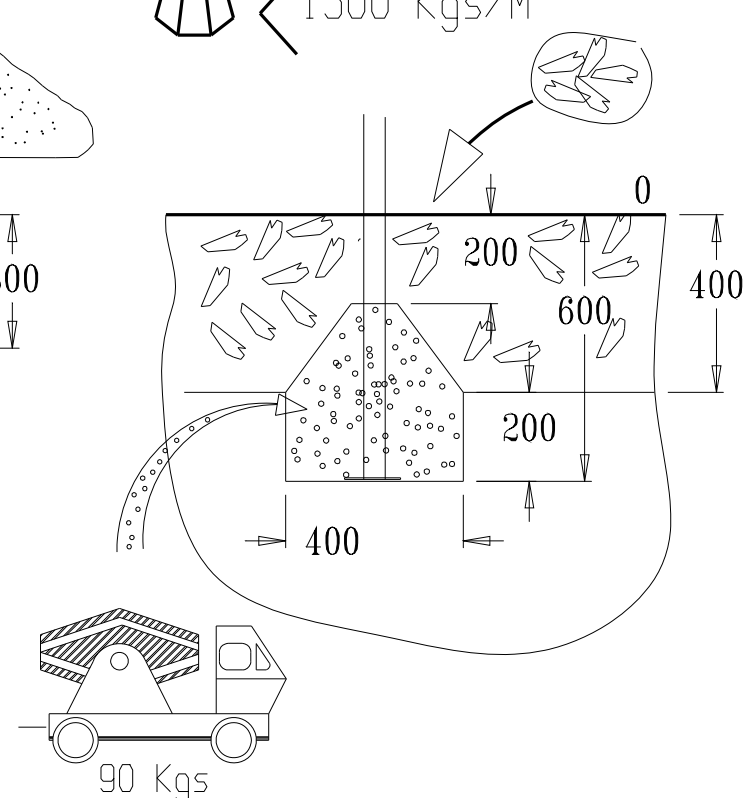
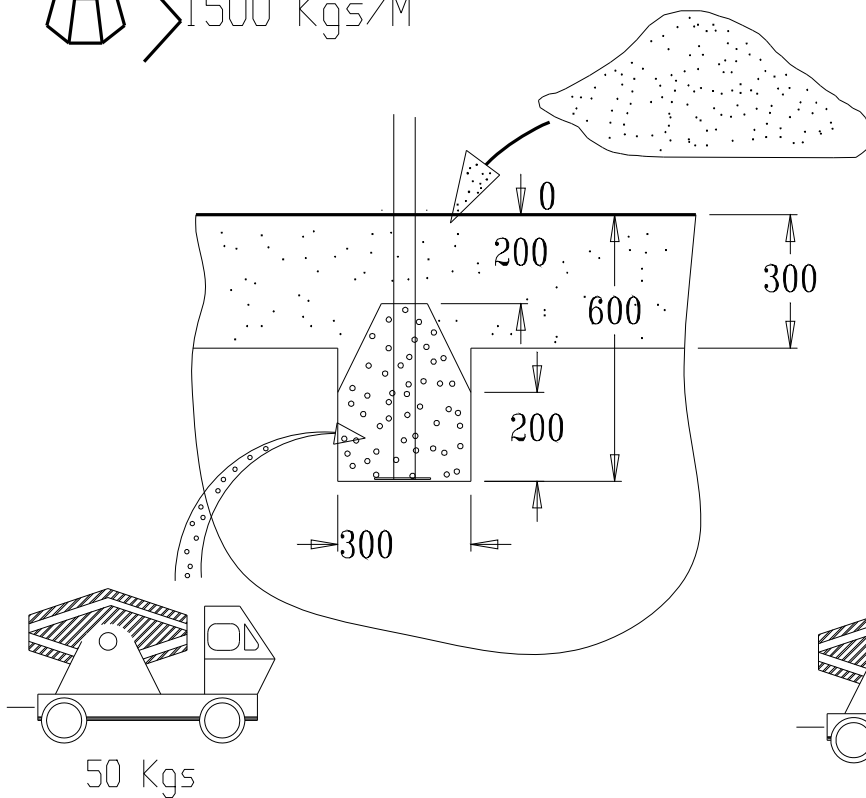
LG3804

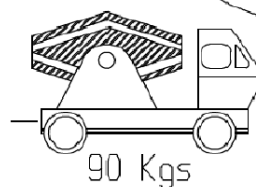
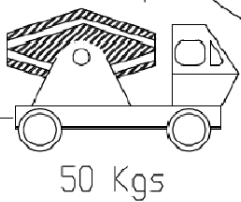
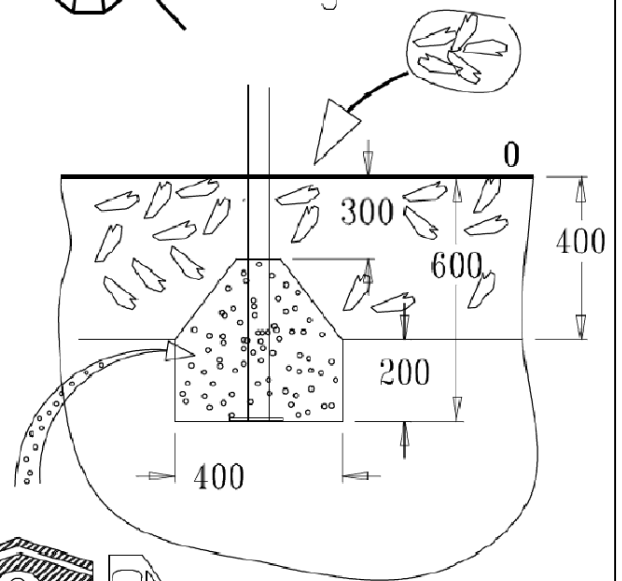
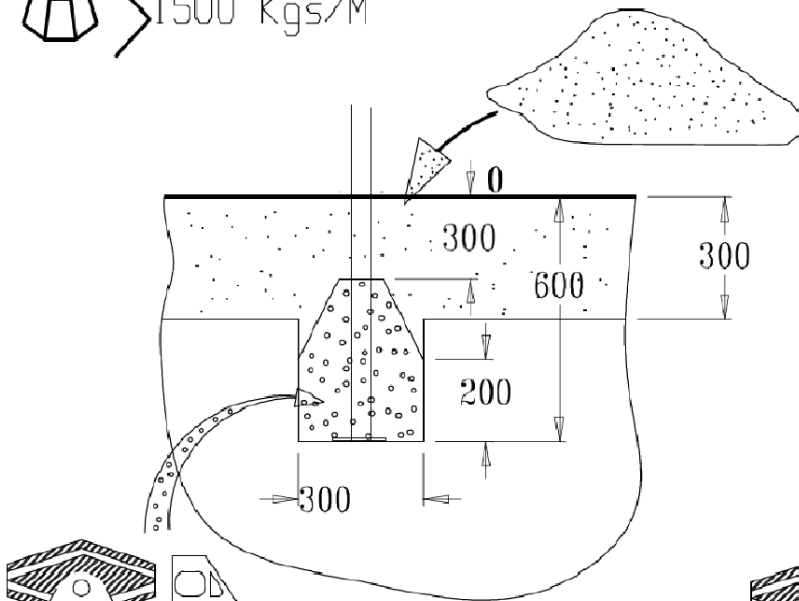
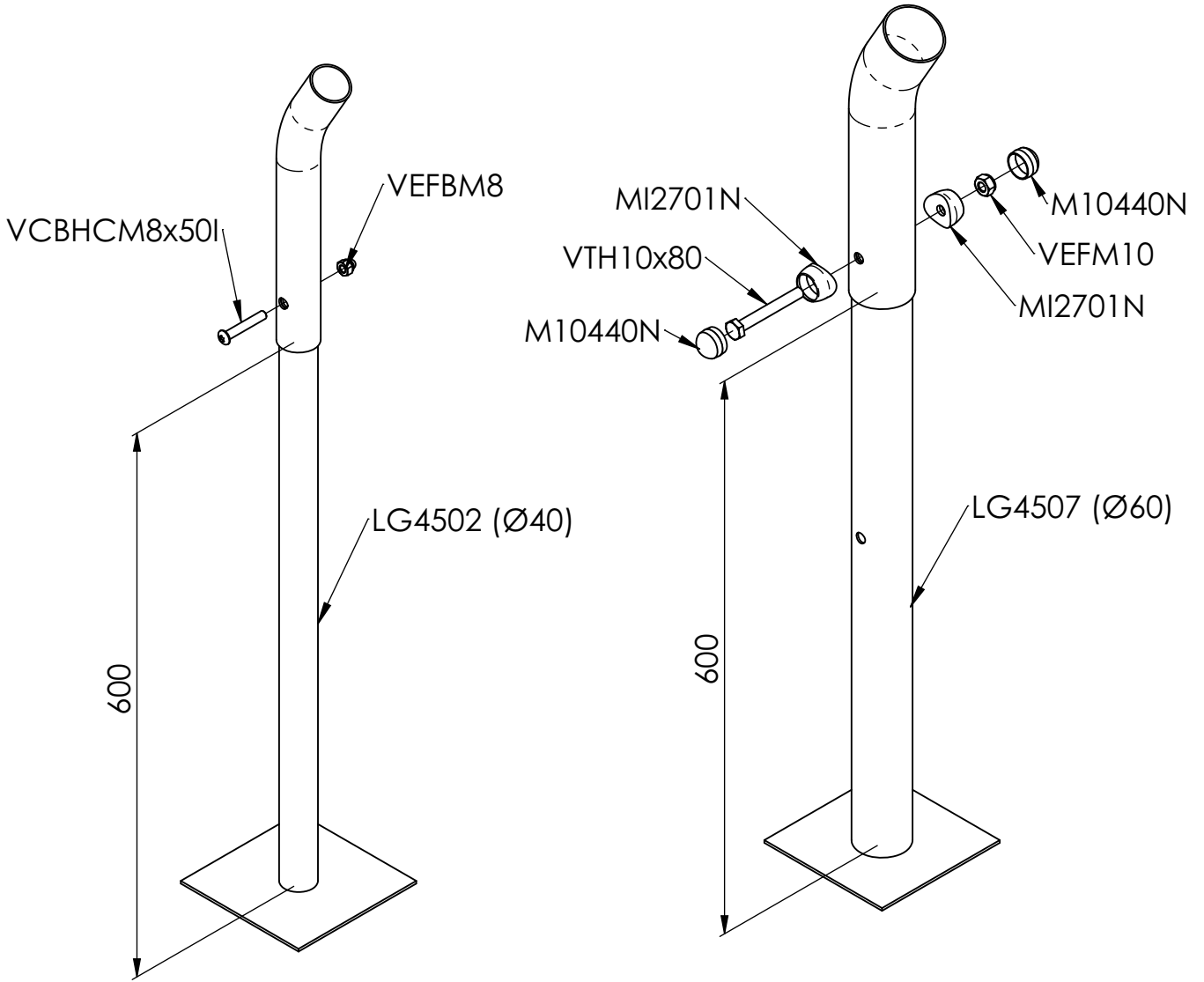


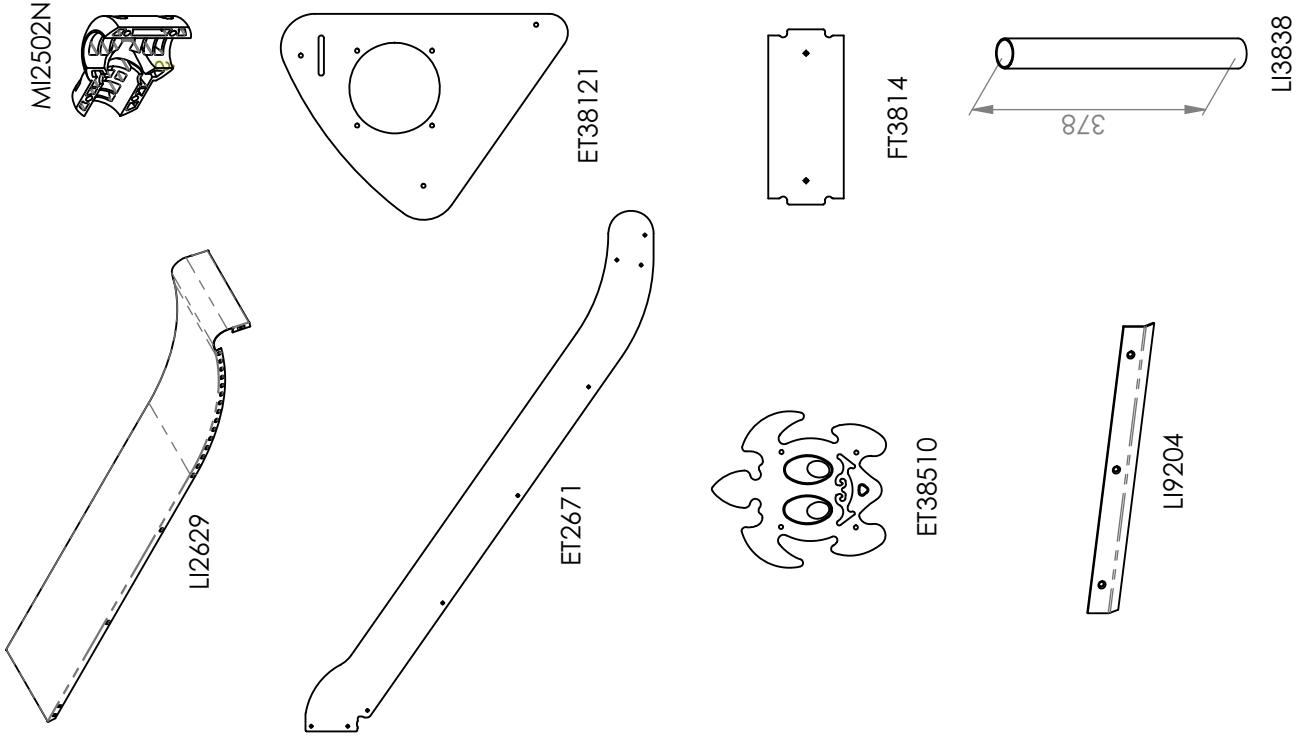
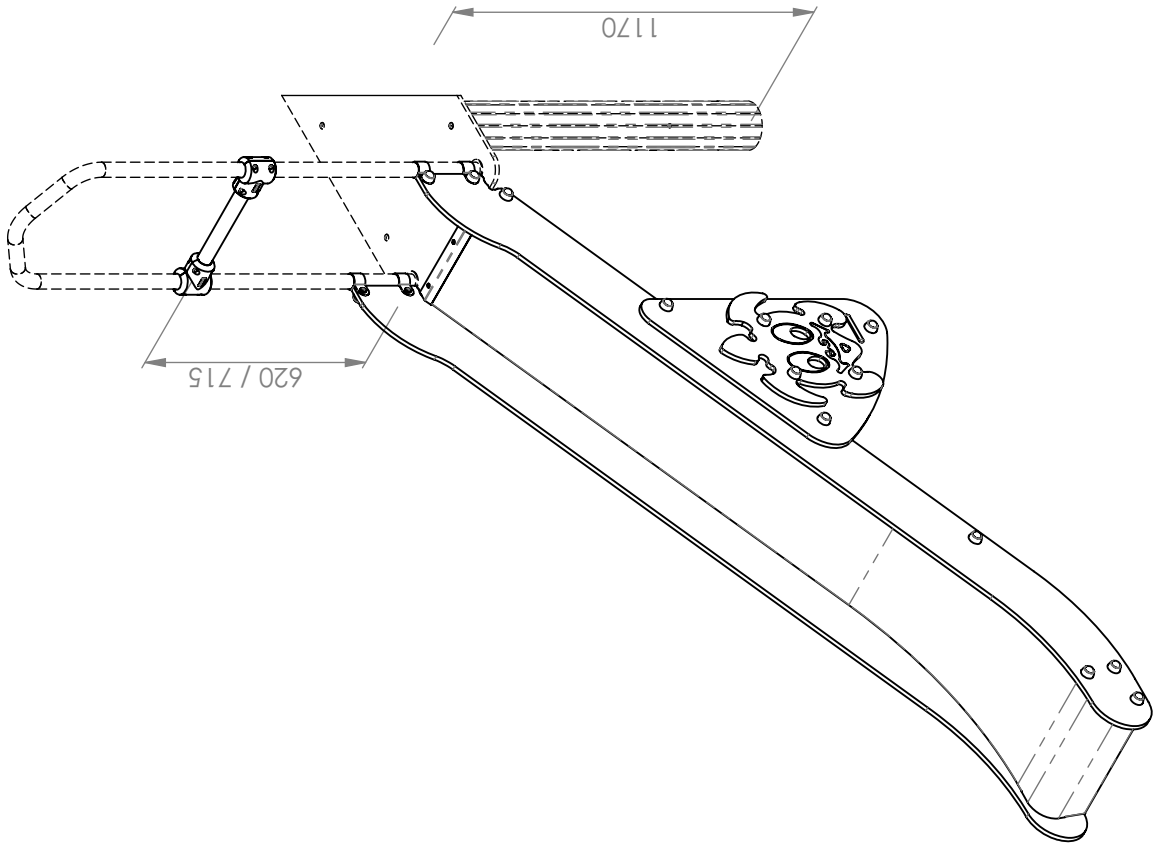
> 1500 Kgs/M³



< 1500 Kgs/M³







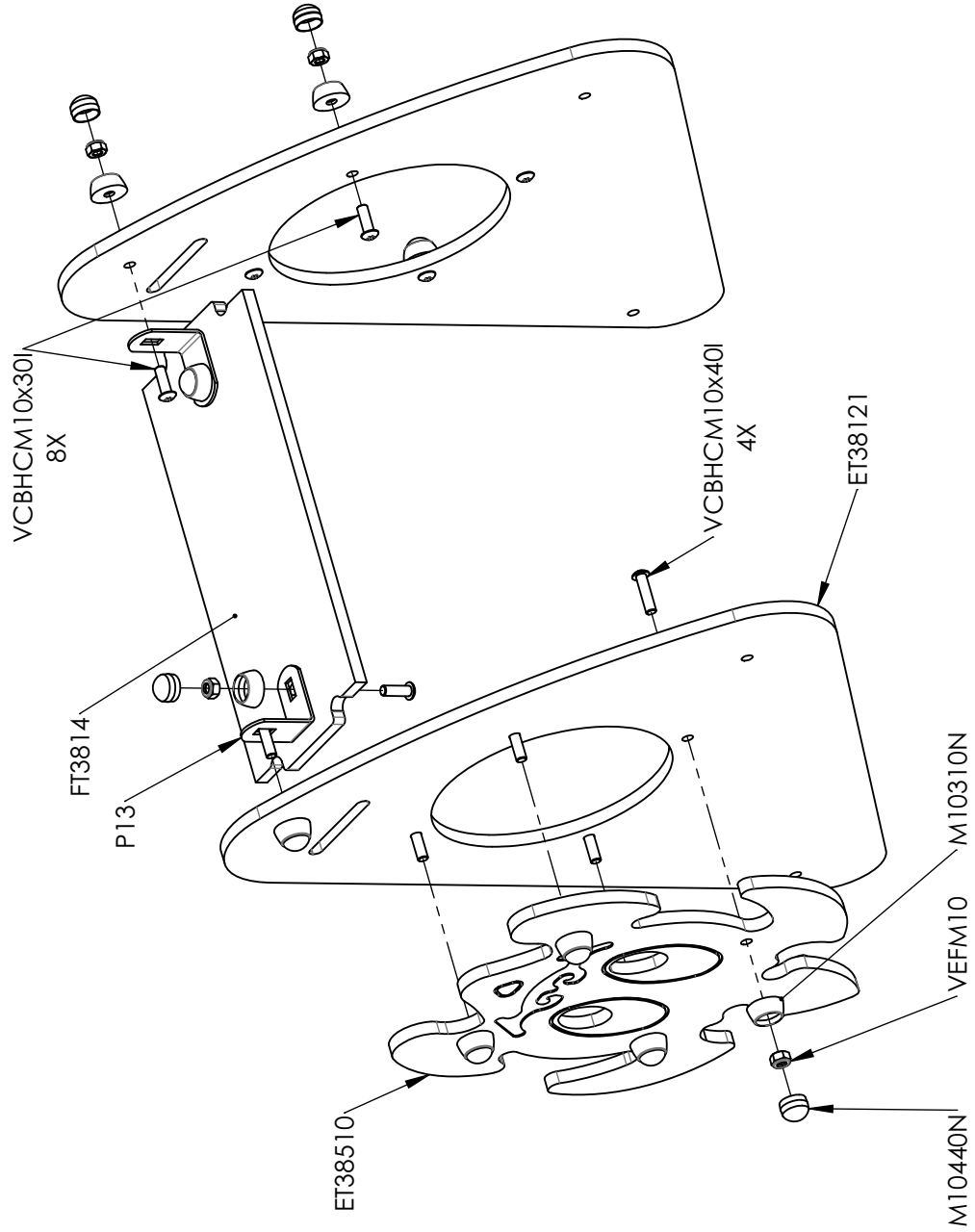
P13



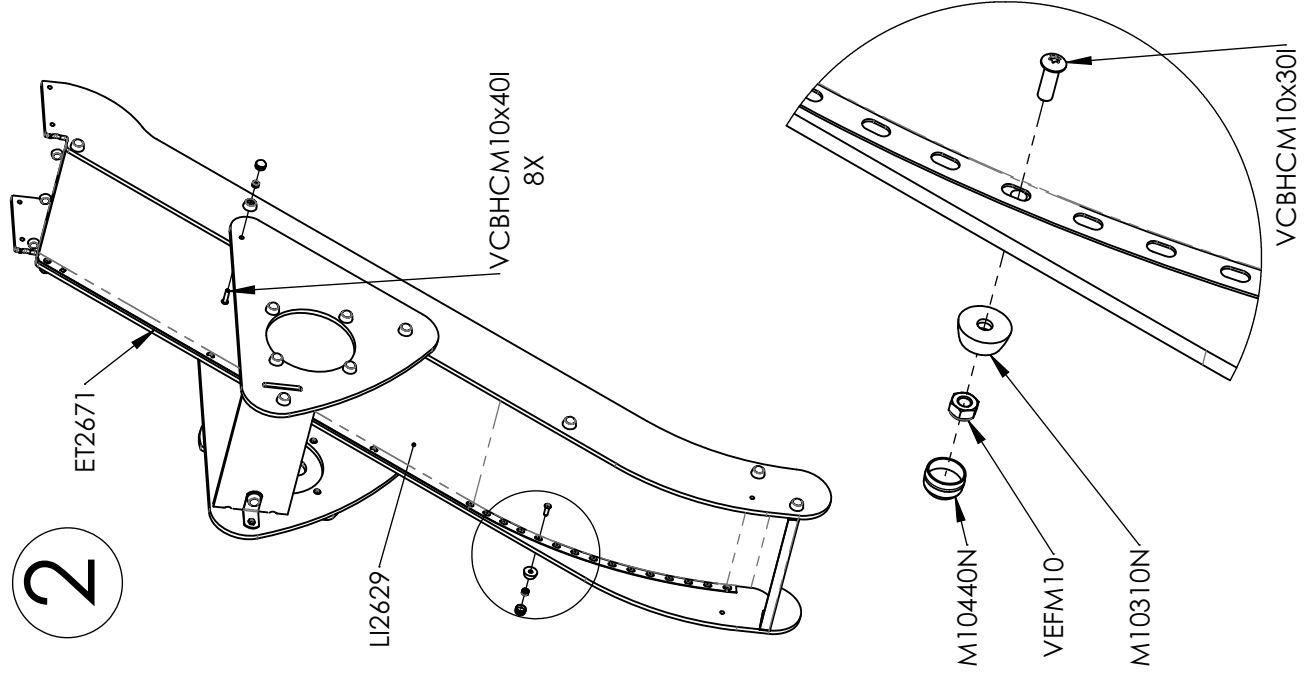
LI4505

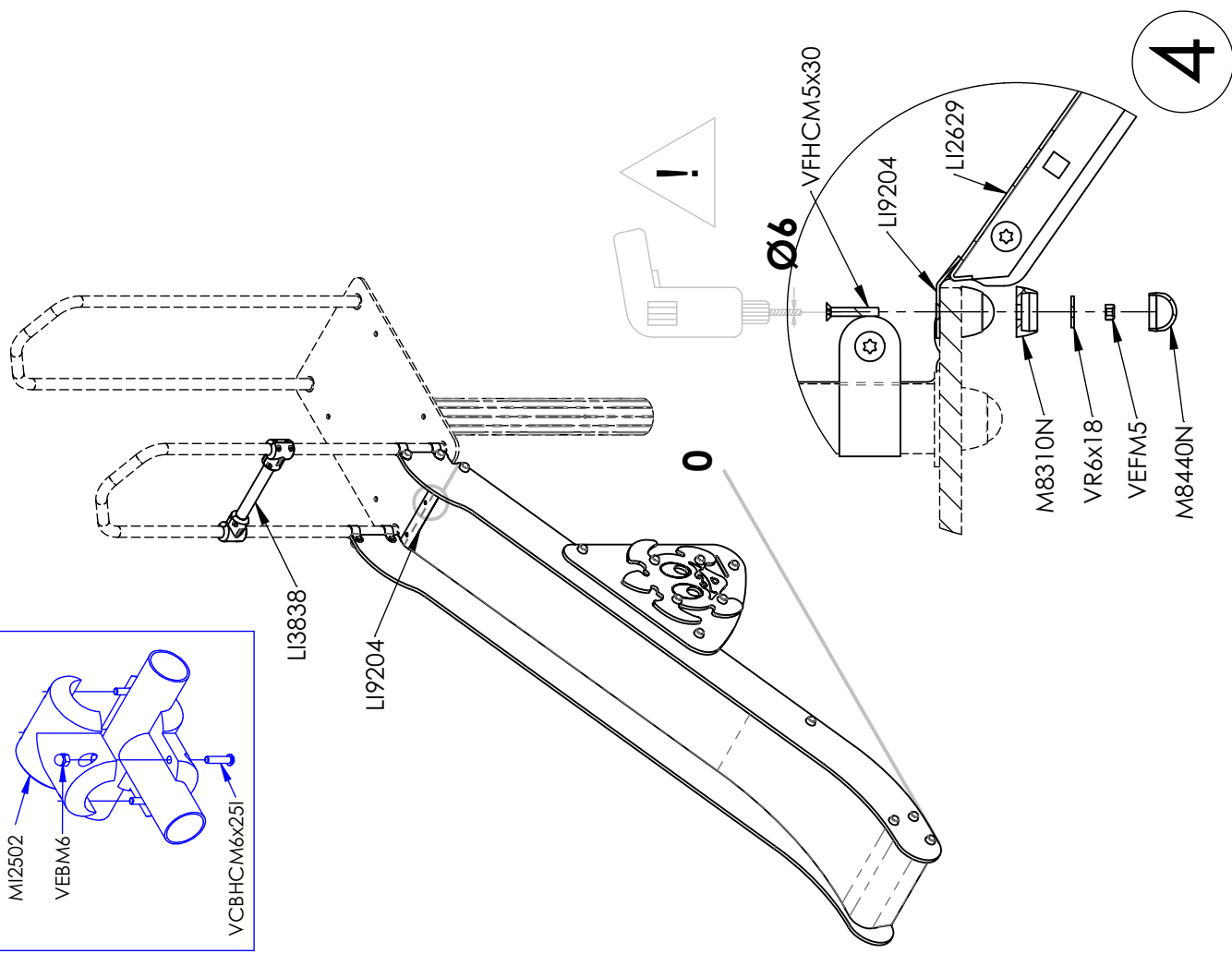
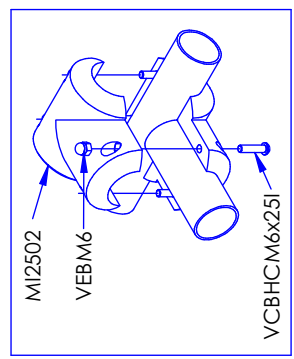
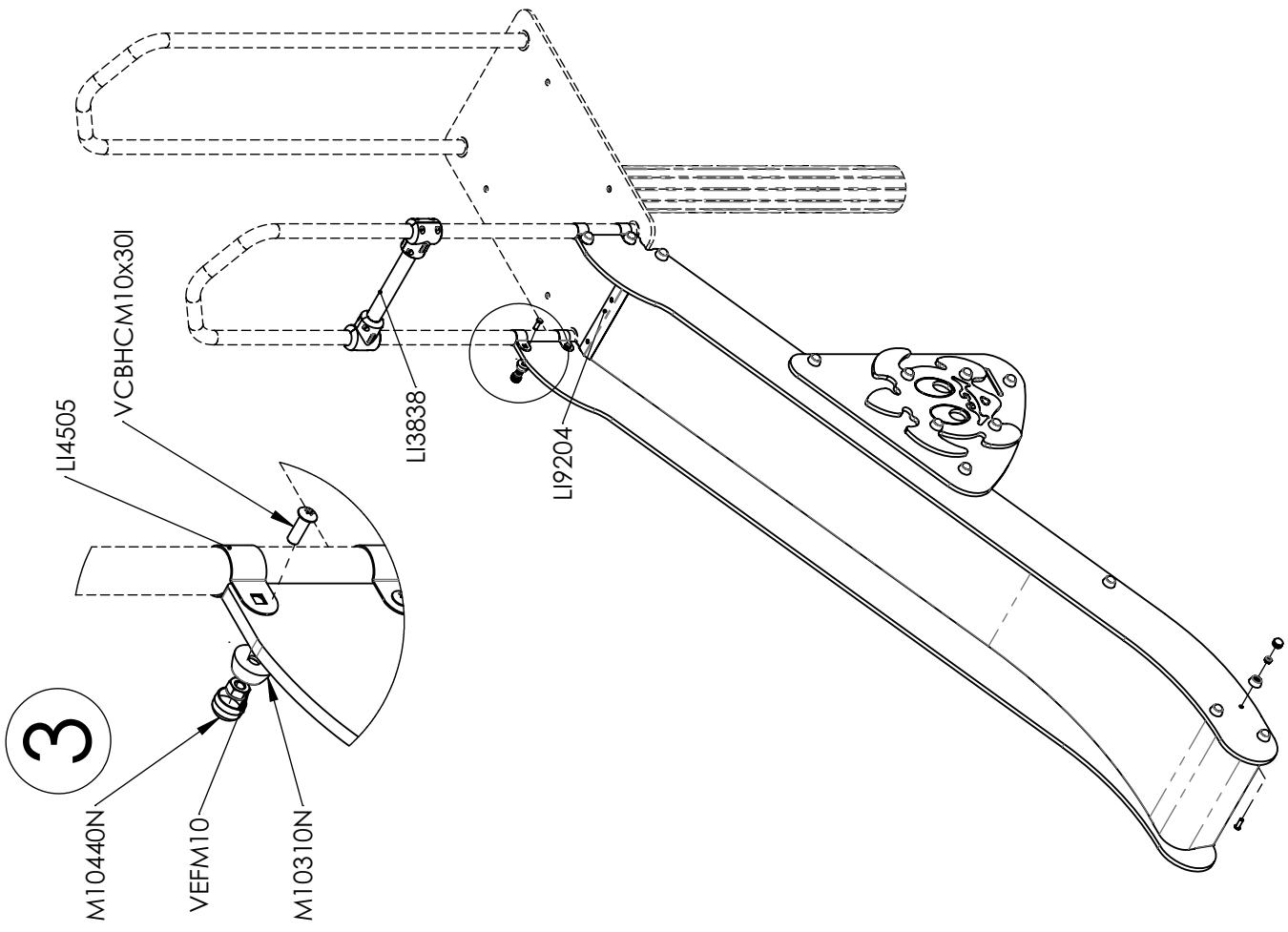
Réf	Qté
LI2629	1
VCBHC10x30I	26
VCBHC6x25I	8
VCBHC10x40I	4
M10310N	30
VEFM10	30
VEFM5	3
M10440N	30
ET2671PL	2
LI4505	4
LI3838	1
MI2502N	4
VEBM6	8
LI9204	1
ET38121PL	2
FT3814	1
P13	2
ET38510PV	1
M8310N	3
M8440N	3
VFHC5x30	3
VR6x18	3

1



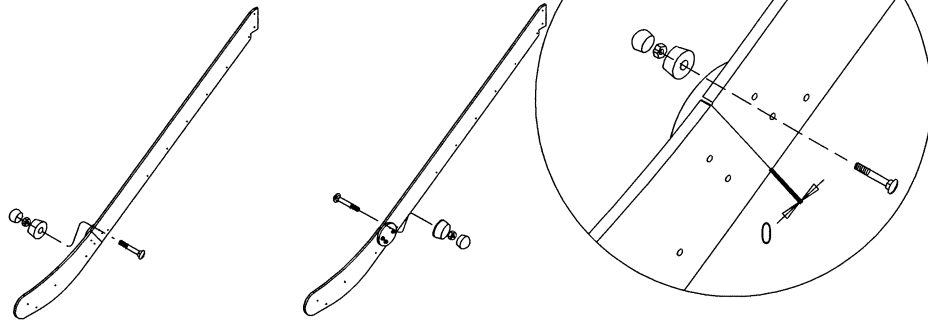
2



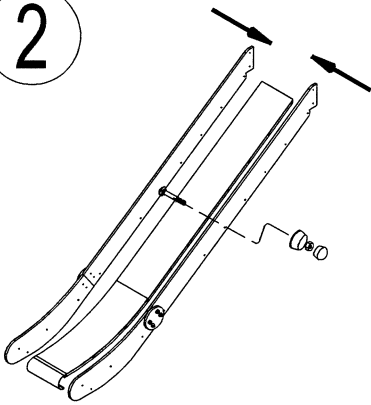


4

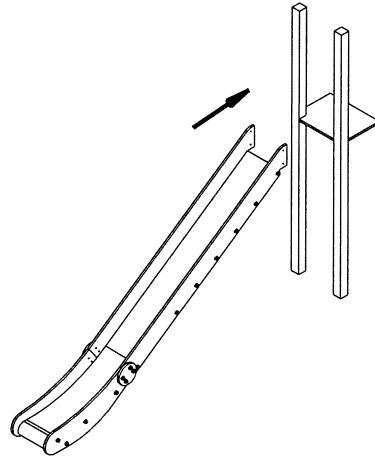
1



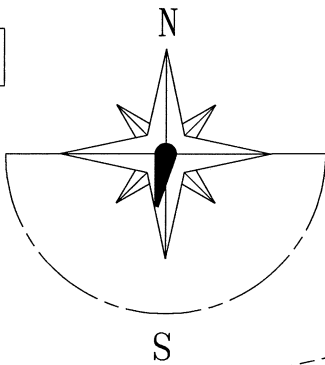
2



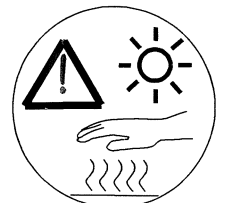
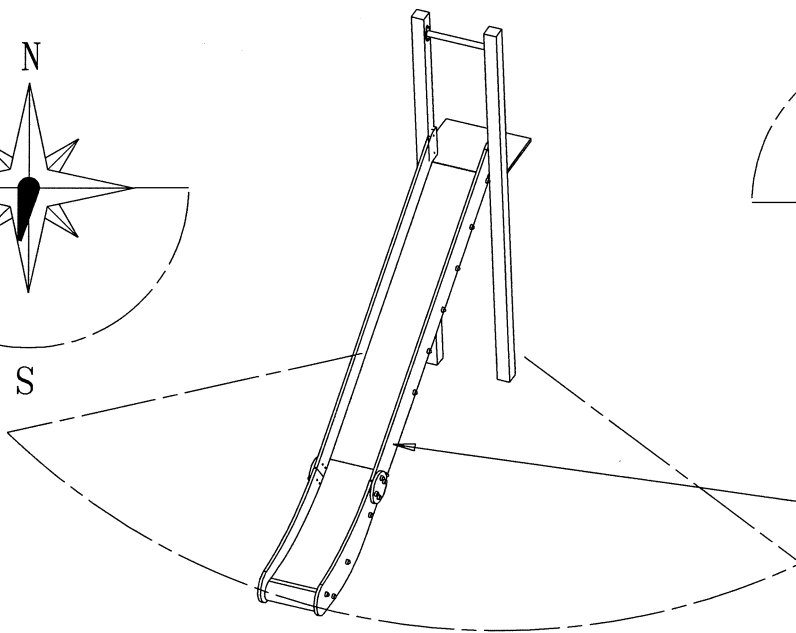
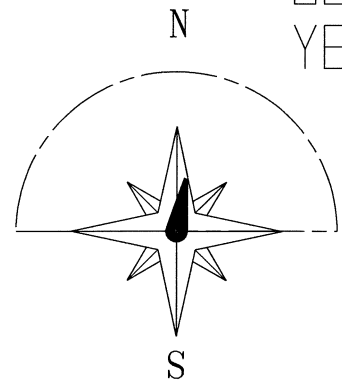
3



NON
NO



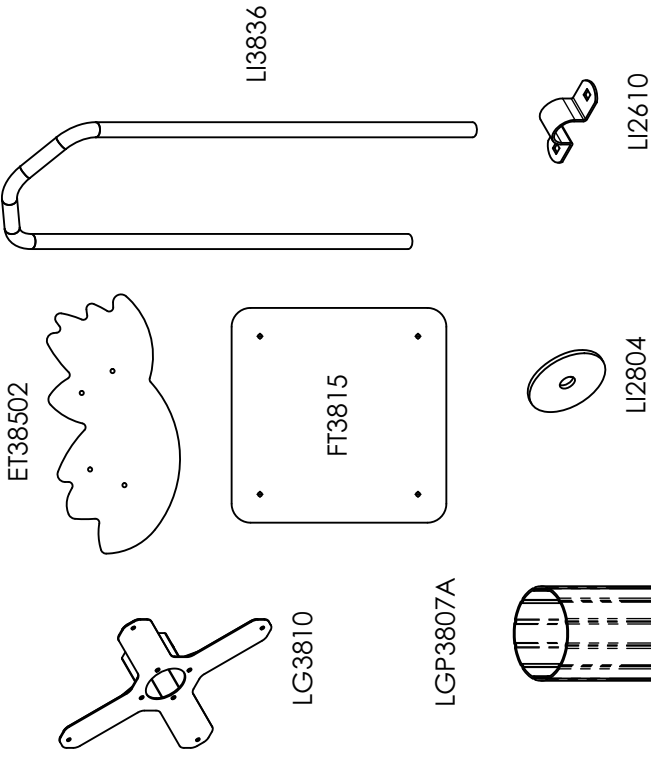
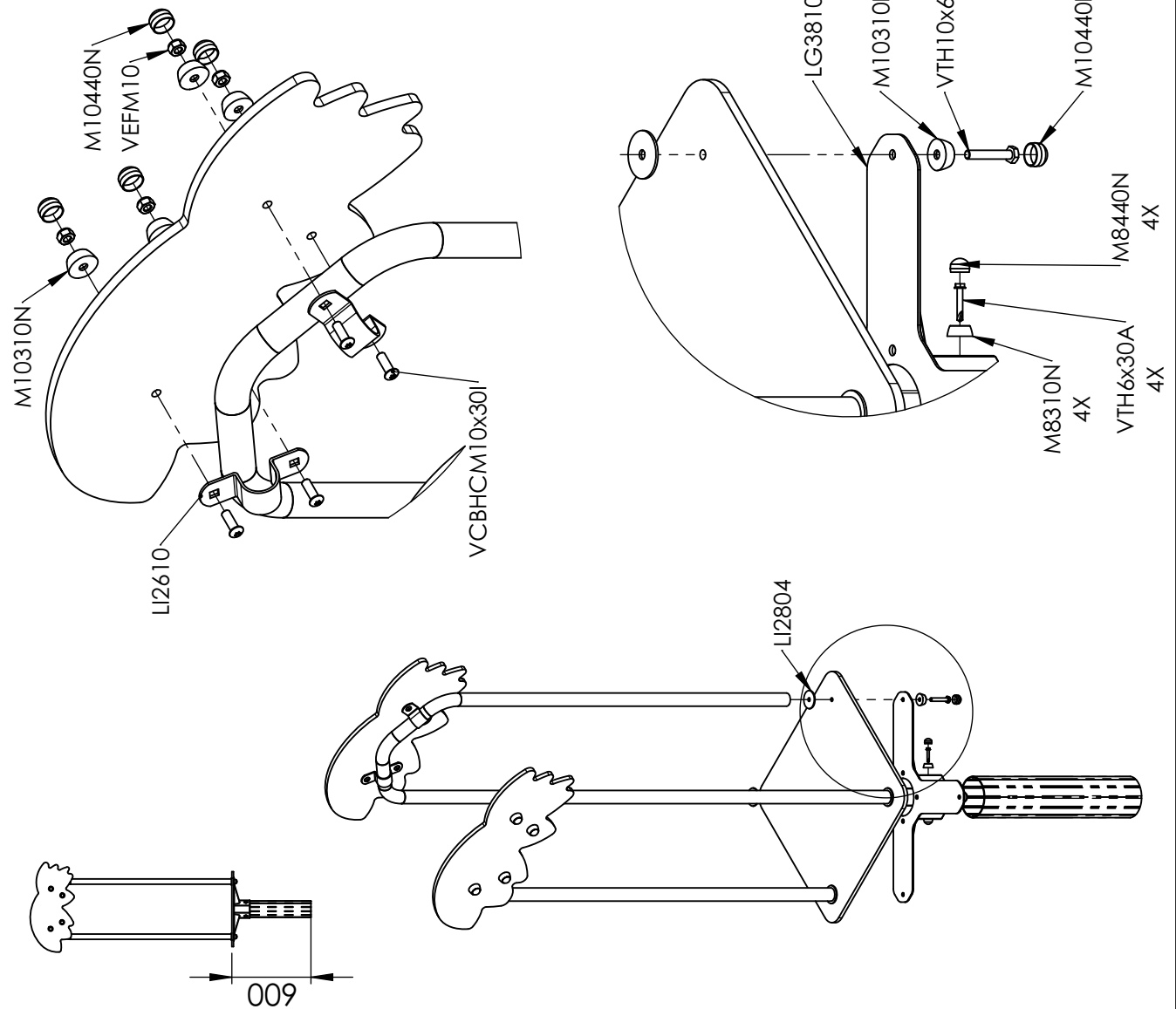
OUI
YES



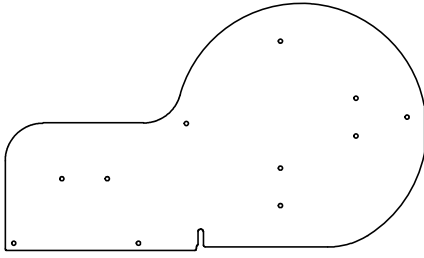
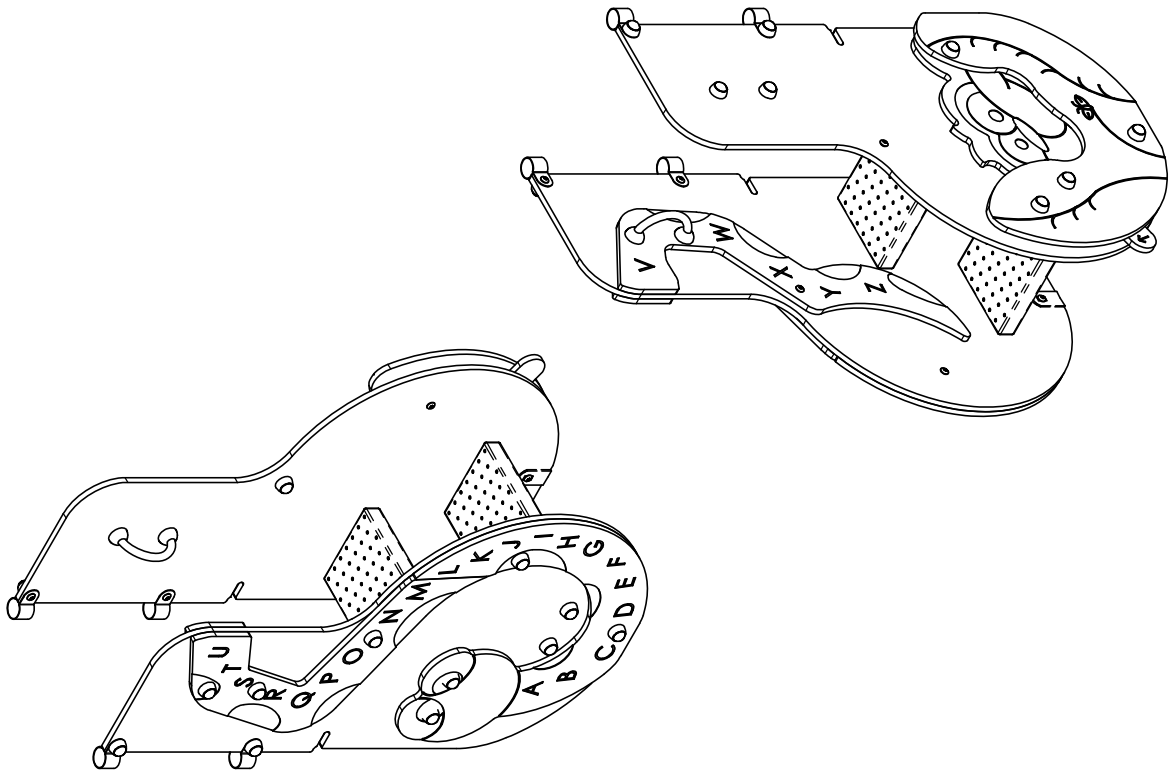
STOBG

FR

Il est recommandé de ne pas orienter la glissière Sud / Sud Ouest



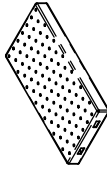
Réf	Qté
ET38502PV	2
FT3815	1
LG3810	1
LGP3807A	1
LI2610	4
LI2804	4
LI3836	2
M8310N	4
M8440N	4
M10310N	12
M10440N	12
VCBHCM10x30I	8
VEFM10	8
VTH6x30A	4
VTH10x60	4



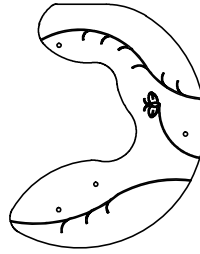
ET38122



ET38517



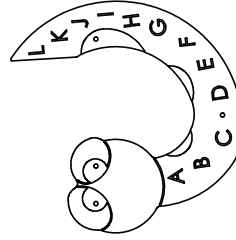
LA3305



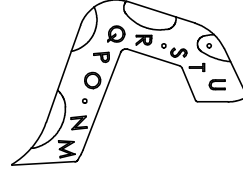
ET38518



ET38516



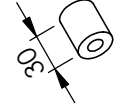
ET38514



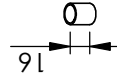
ET38515



LI4505



MU3908

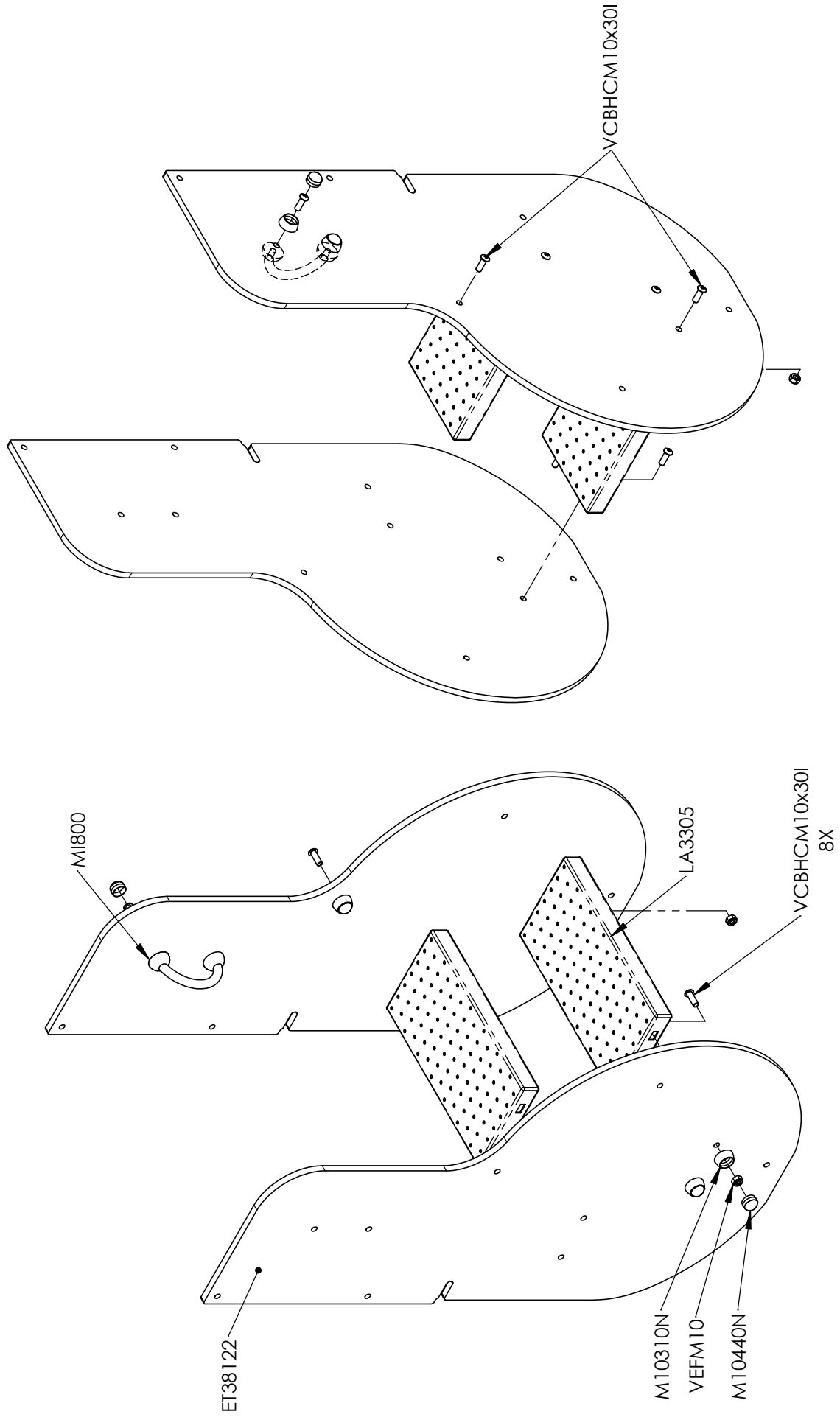


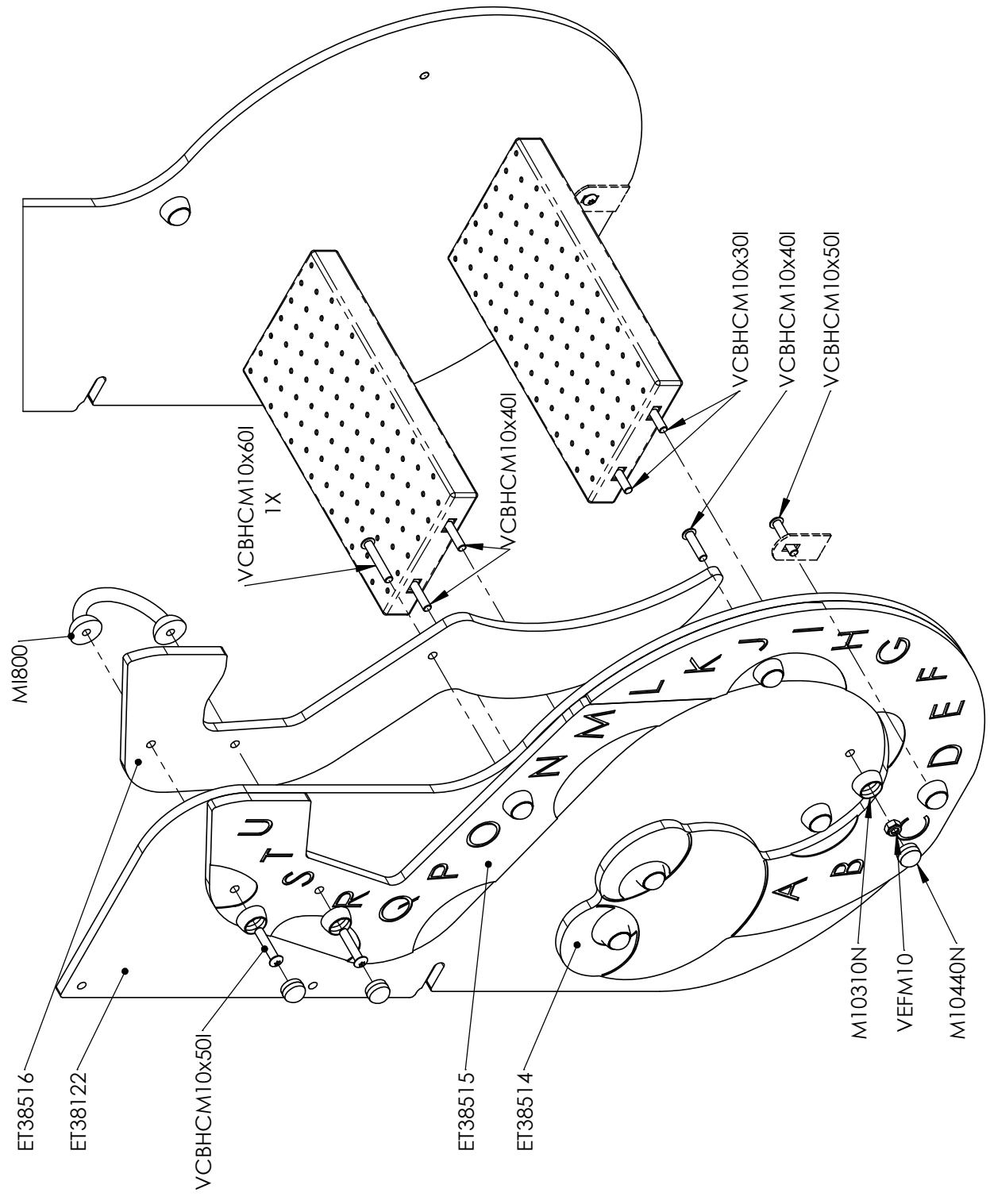
LI47102

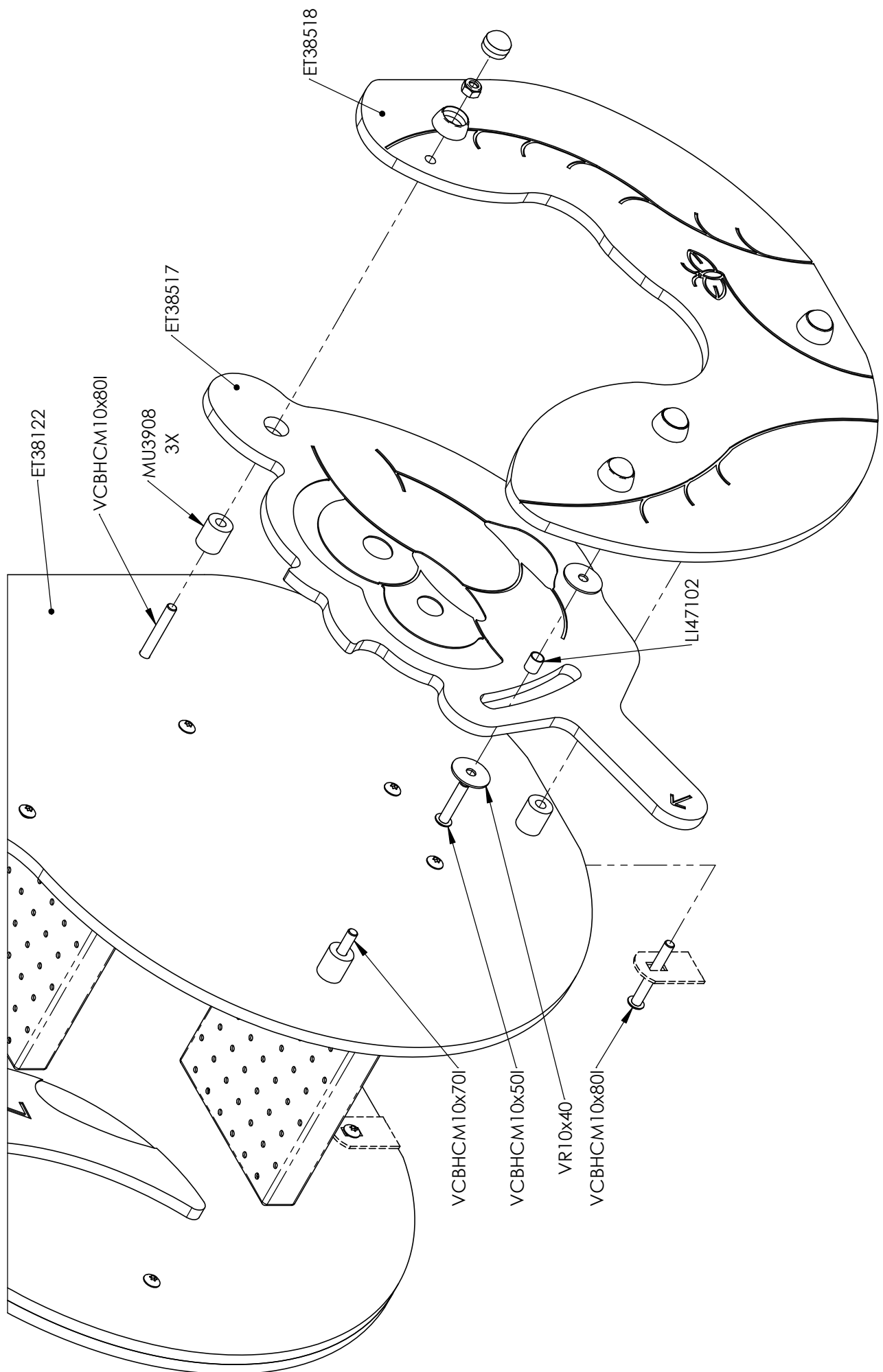


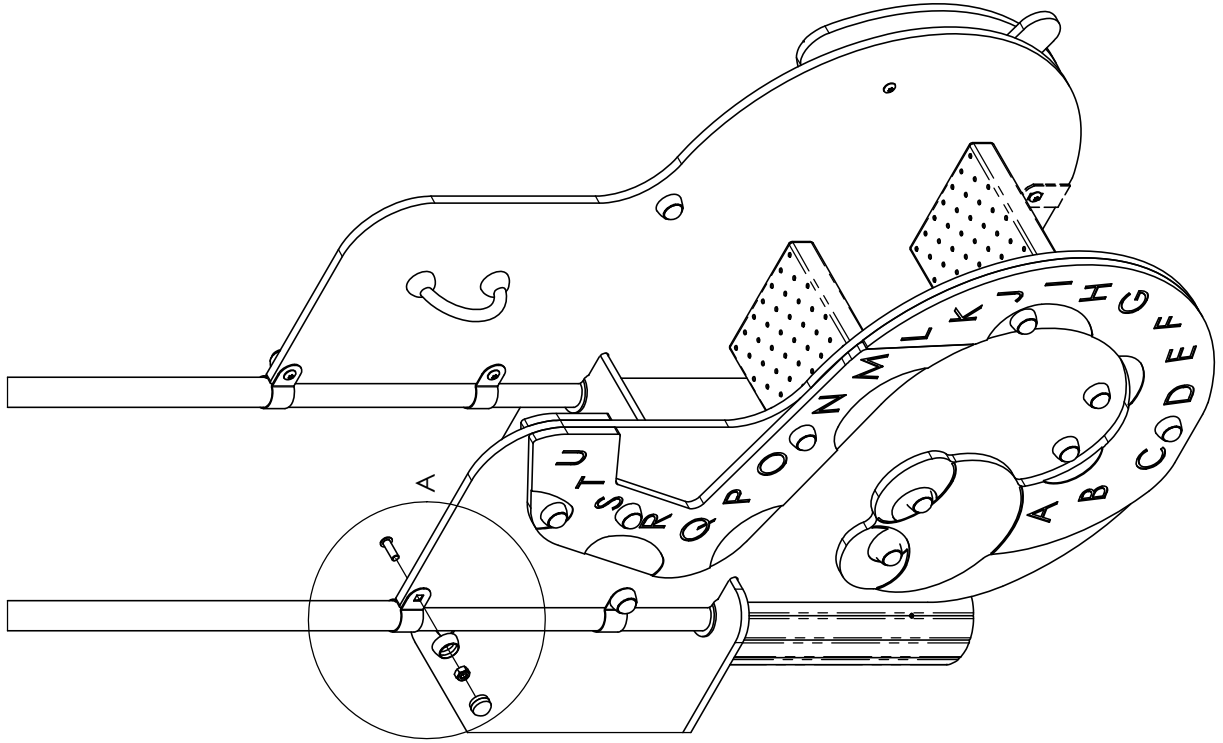
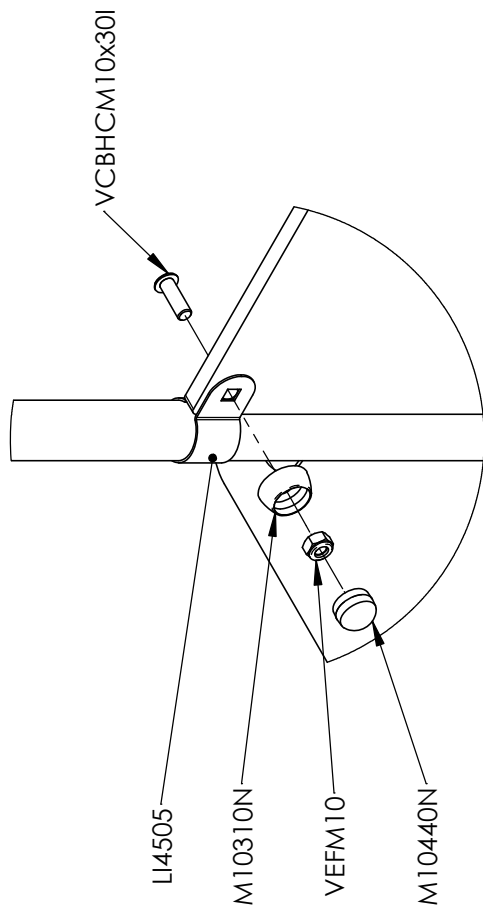
MI800

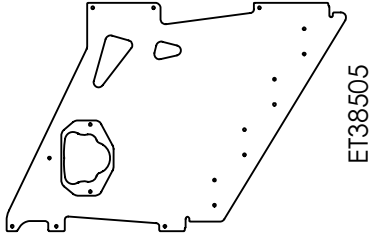
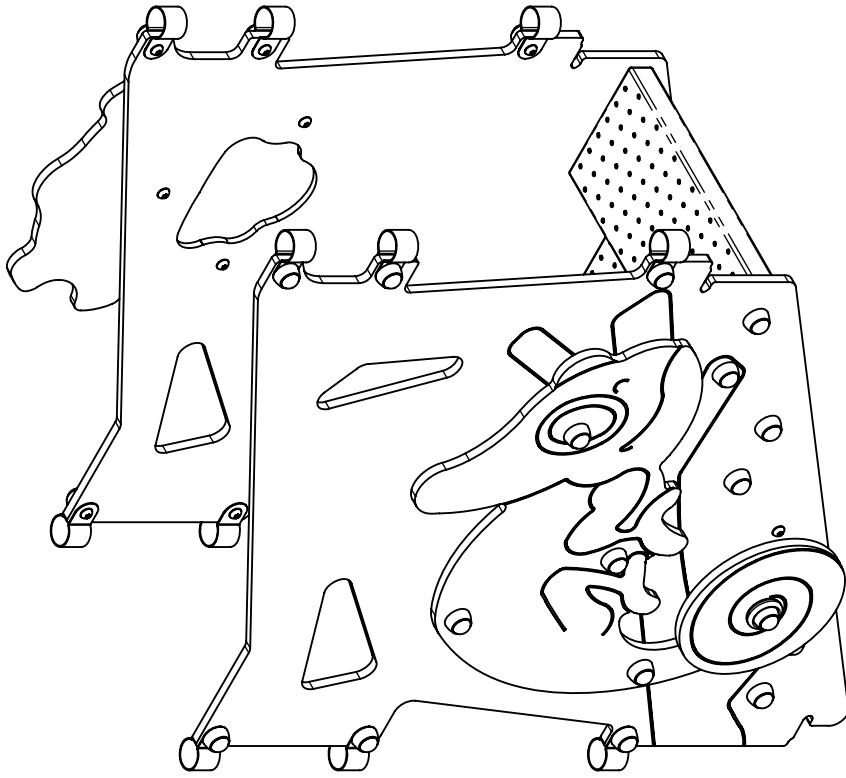
Réf	Qté
ET38122PL	2
ET38514PV	1
ET38515PV	1
ET38516PV	1
ET38517J	1
ET38518PV	1
LA3305	2
LI4505	4
LI47102	1
M10310N	20
M10440N	20
MI800	2
MU3908	3
VCBHC10x30I	12
VCBHC10x40I	3
VCBHC10x50I	4
VCBHC10x70I	1
VCBHC10x80I	2
VEFM10	19
VR10x40	2
VCBHC10x60I	1



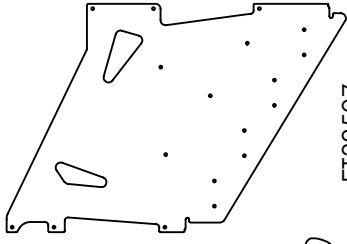




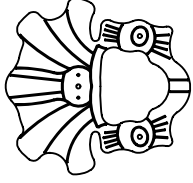




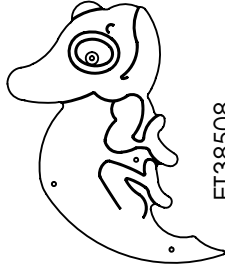
ET38505



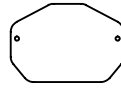
ET38507



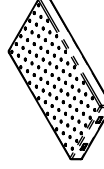
ET38506



ET38508



EM38501



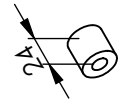
LA3305



MI810N

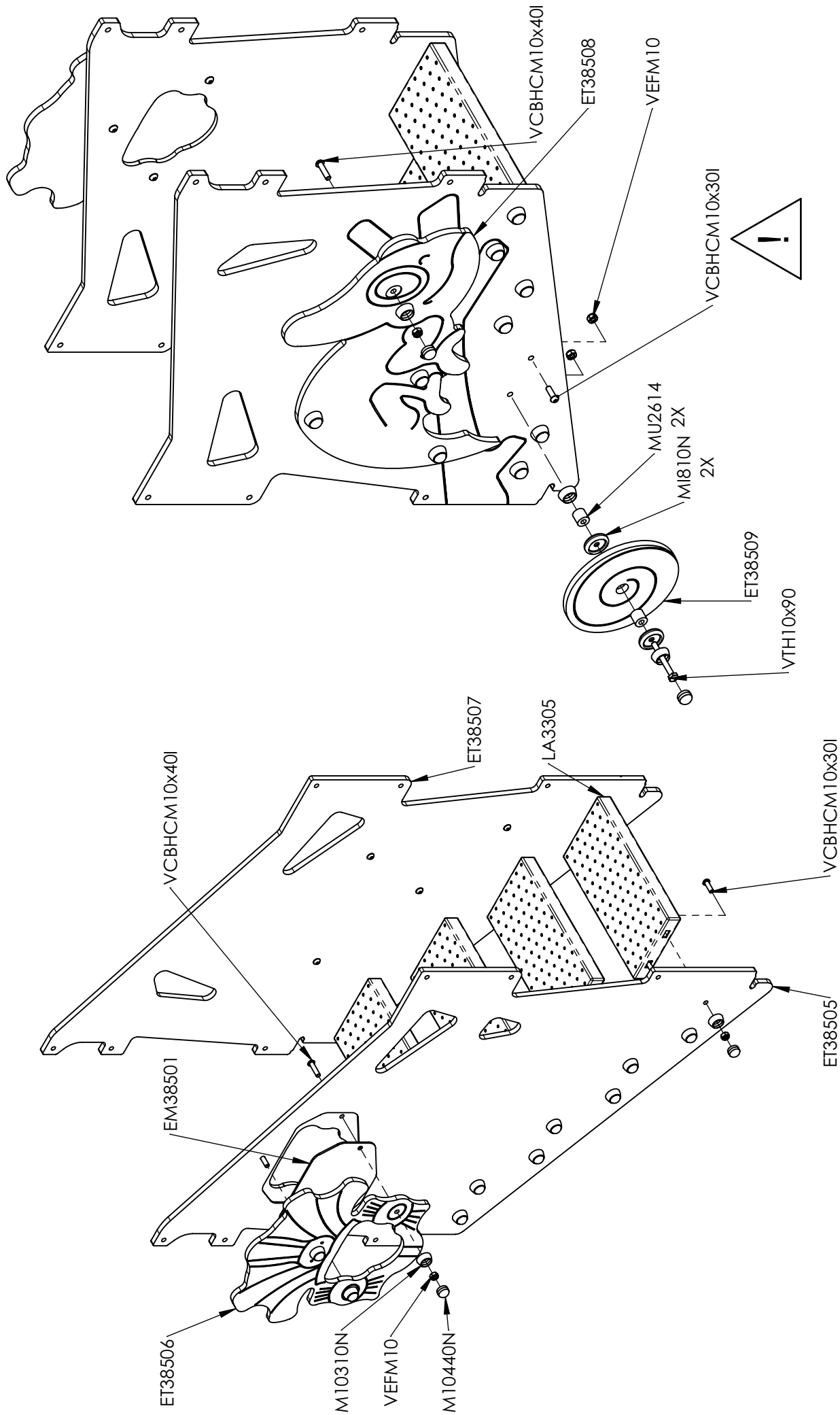


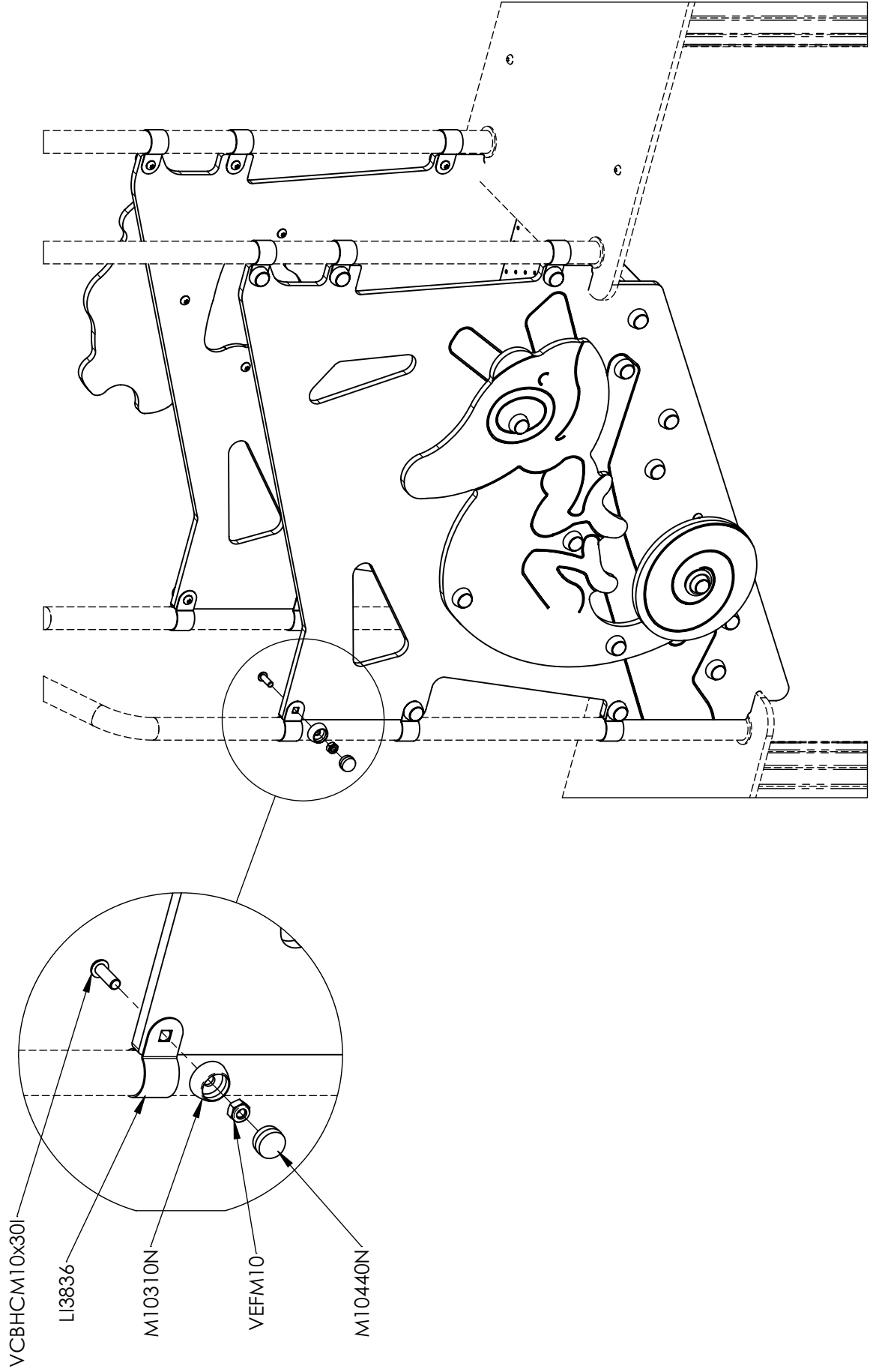
MU2614

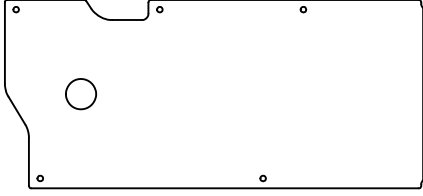
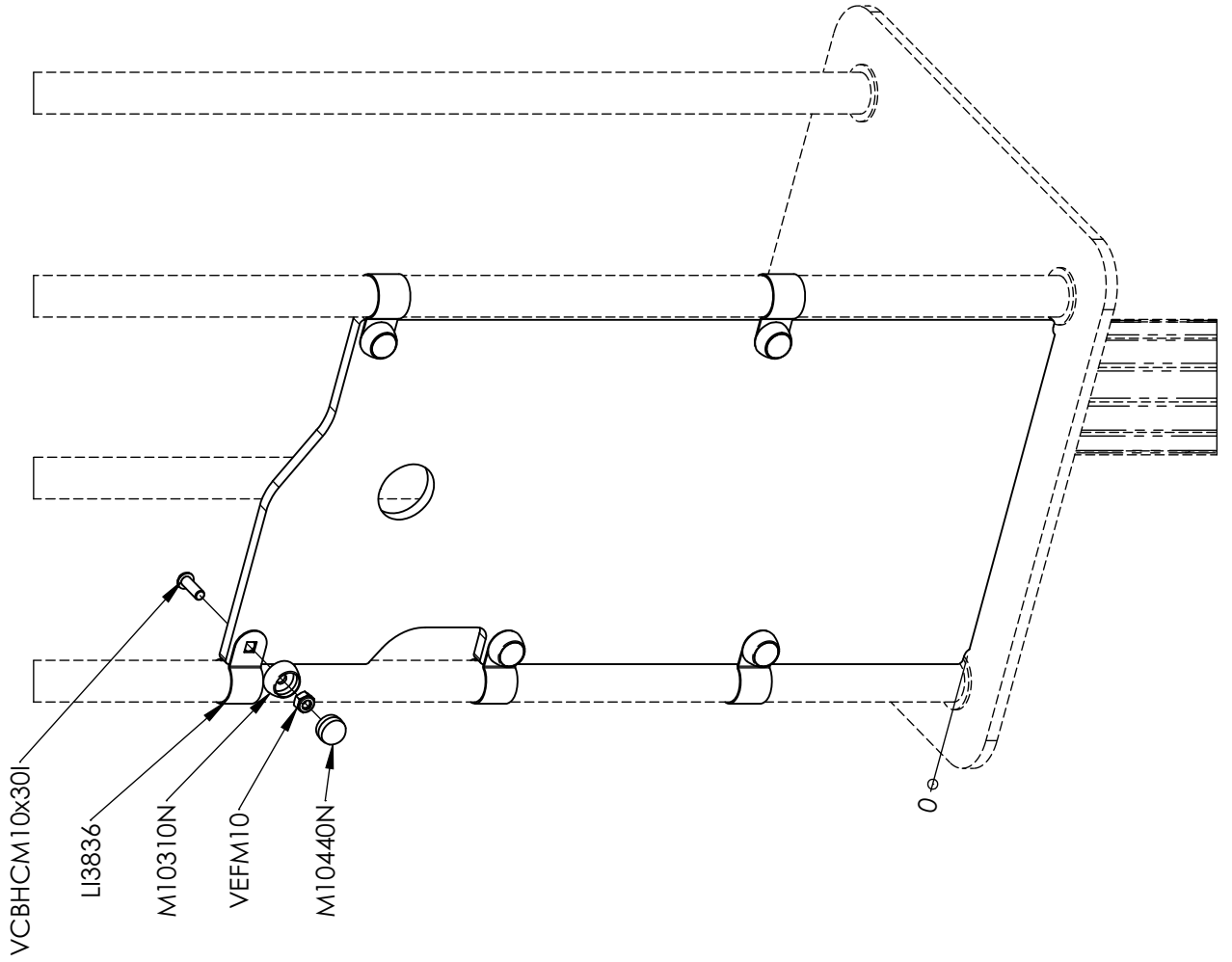


LI4505

Réf	Qté
EM38501	1
ET38505CH	1
ET38506CH	1
ET38507CH	1
ET38508PV	1
ET38509PV	1
LA3305	4
LI4505	12
M10310N	35
M10440N	34
MI810N	2
MU2614	2
VCBHC M10x30I	27
VCBHC M10x40I	7
VEFM10	35
VTH10x90	1





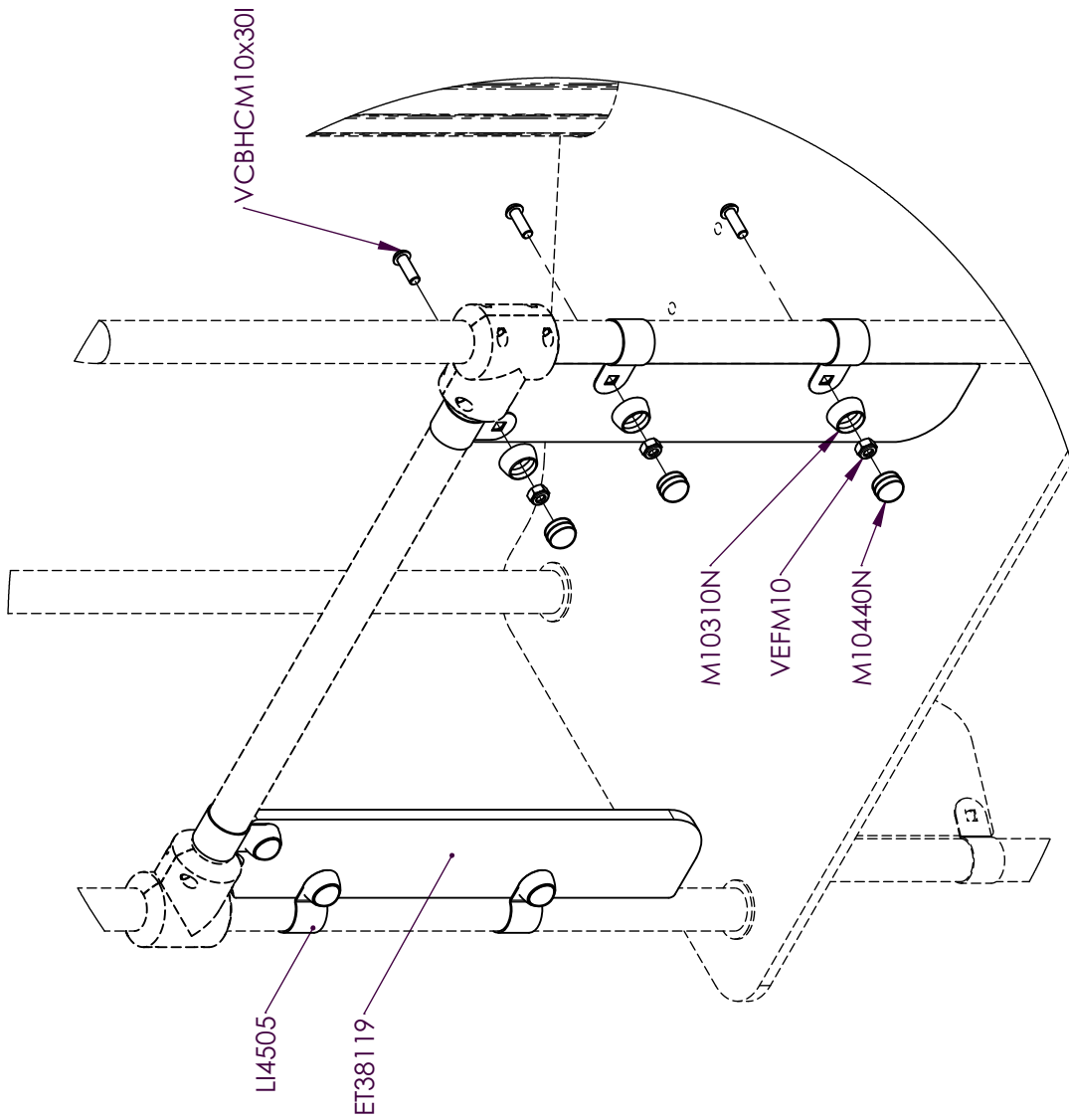


ET38123



LI4505

Réf	Qté
ET38123PL	1
LI4505	5
M10310N	5
M10440N	5
VCBHCM10x30I	5
VEFM10	5

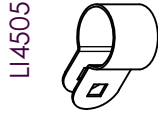
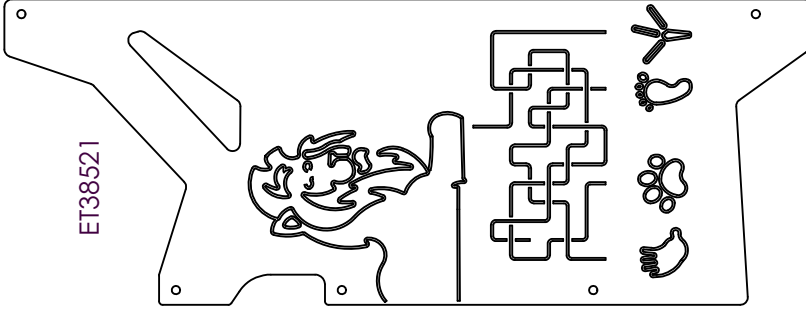
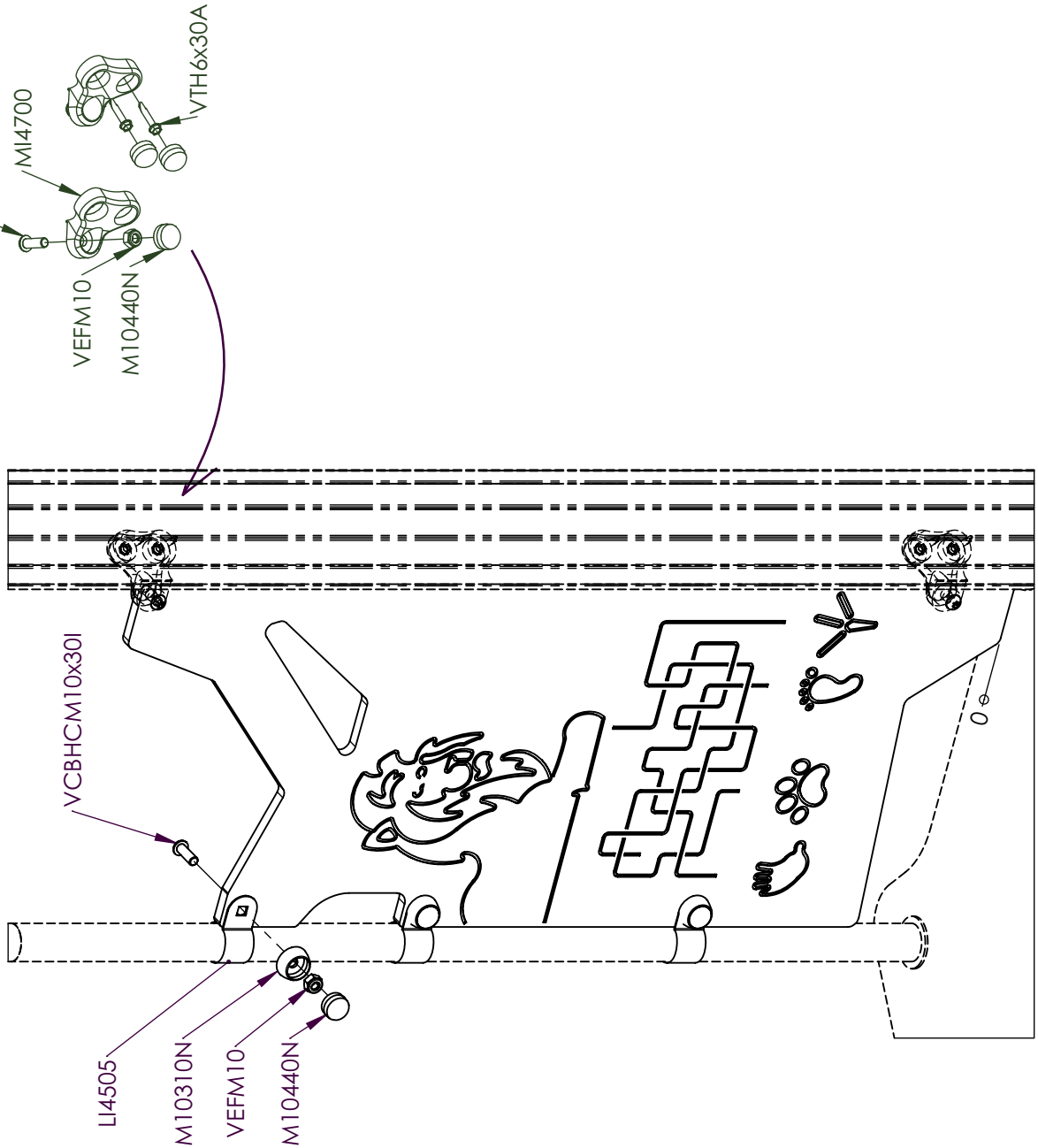


ET38119

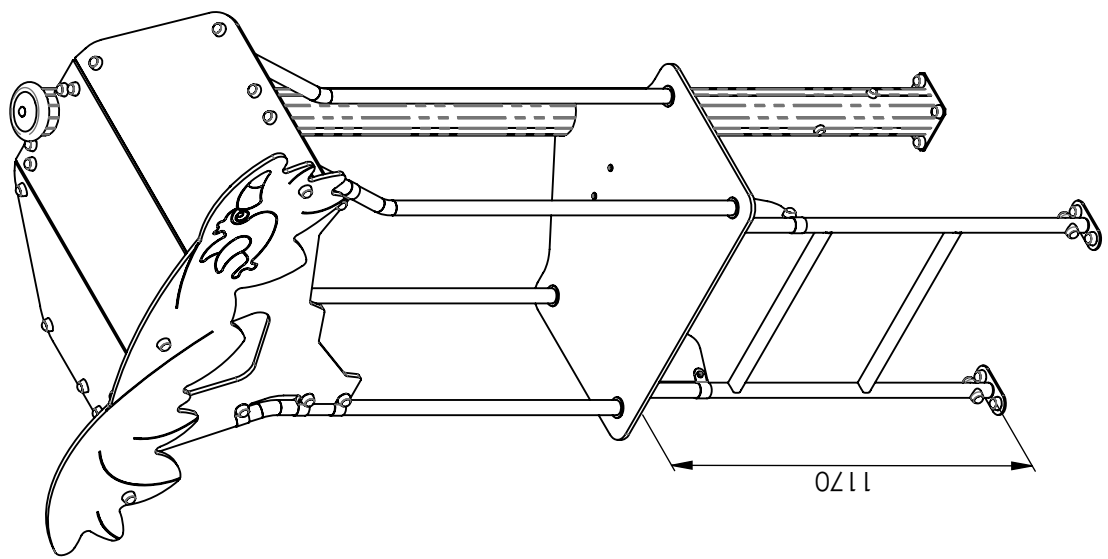
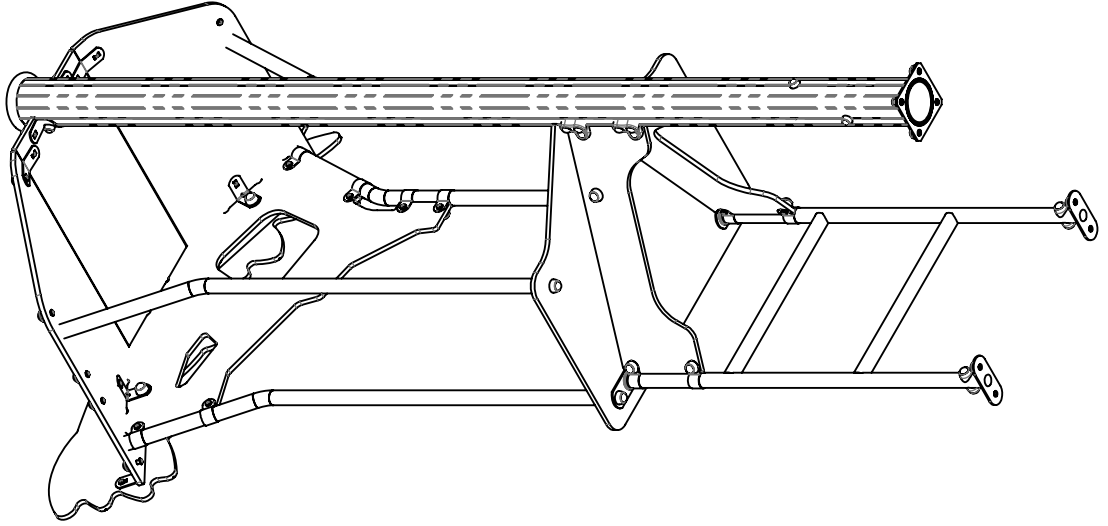


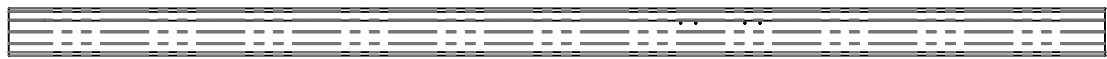
LI4505

Réf	Qté
ET38119PL	2
LI4505	6
M10310N	6
M10440N	6
VCBHCM10x30I	6
VEFM10	6

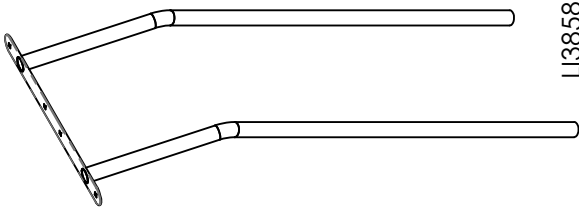


Réf	Qté
ET38521CH	1
LI4505	3
M10310N	3
M10440N	9
MI4700	2
VCBHCM10x30I	5
VEFM10	5
VTH6x30A	4

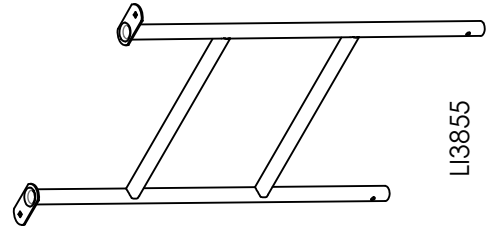




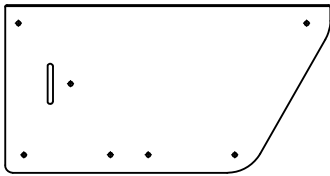
LGP3806A



LI3858



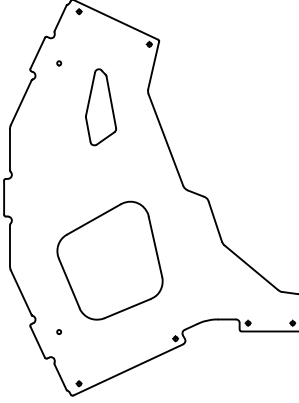
LI3855



ET38325



ET38300



ET38523



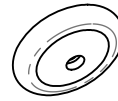
P13



LI2804



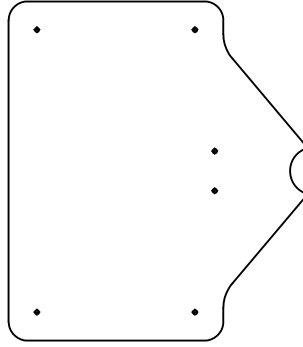
LI4505



MI025N



P150



FT3833



ET3832



LP3800N

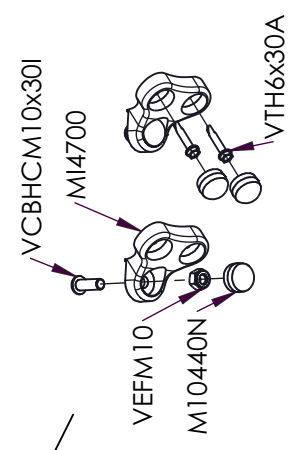
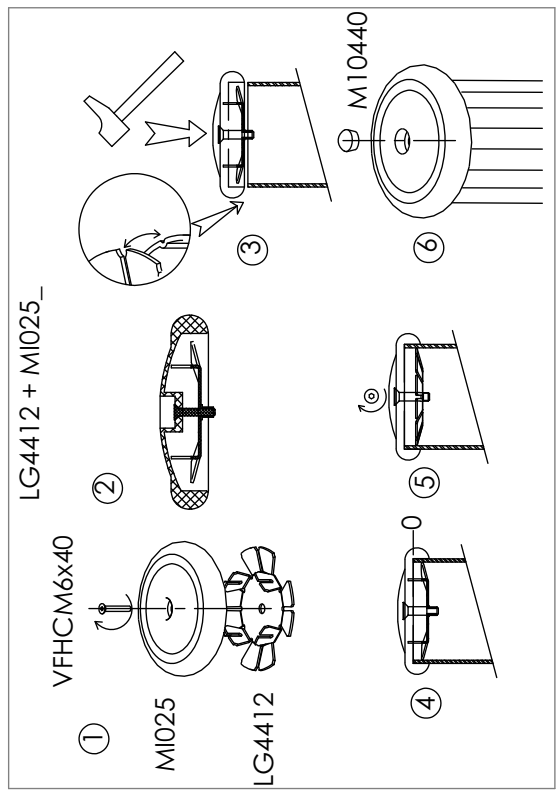
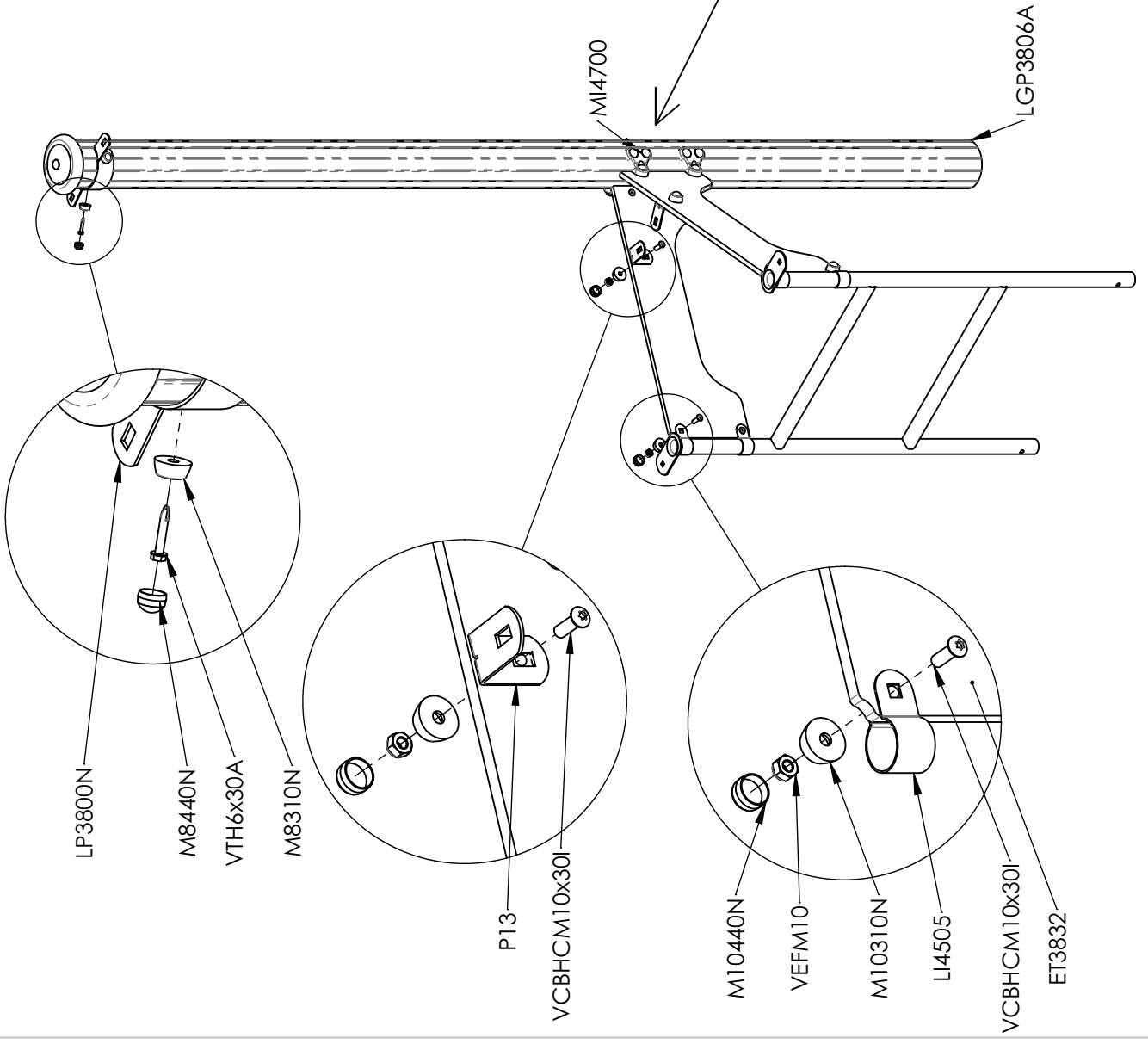


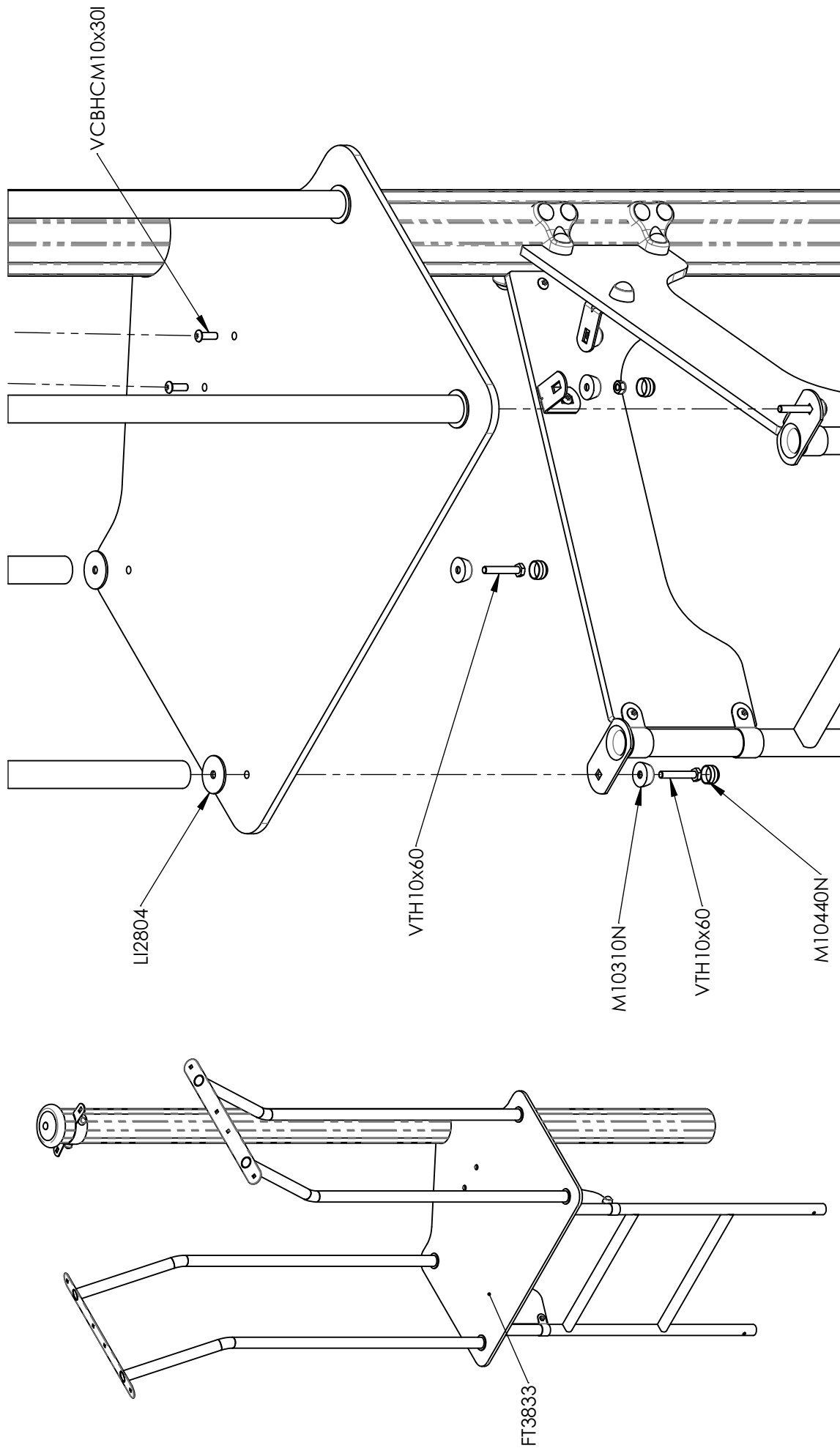
MI4700

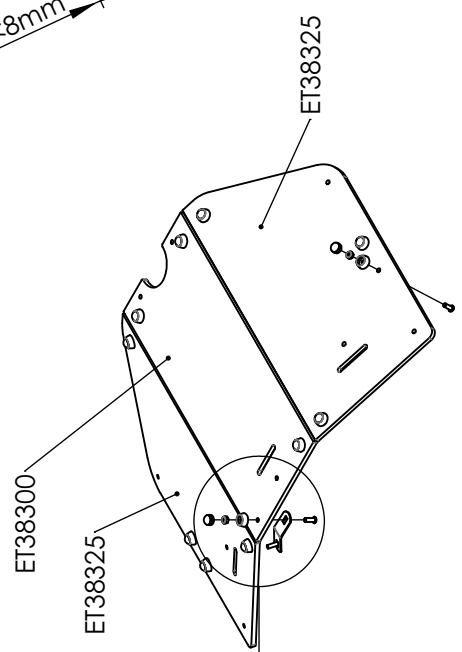
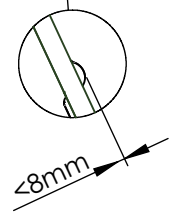
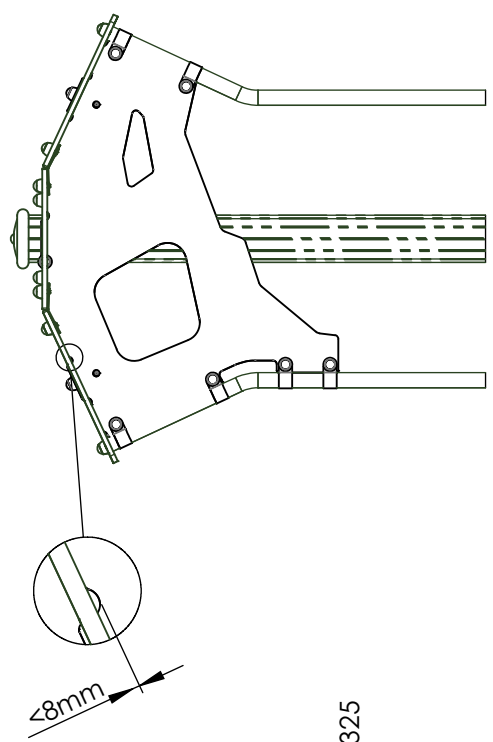


ET38504

Réf	Qté
ET3832PL	2
ET38300PL	1
ET38325PL	2
ET38504PV	1
ET38523CH	1
FT3833	1
LG4412	1
LGP3806A	1
LI2804	4
LI3855	1
LI3858	2
LI4505	10
LP3800N	1
M8310N	2
M8440N	2
M10310N	45
M10440N	58
MI025N	1
MI4700	4
P13	7
P150	4
VCBHCMI0x30I	43
VCBHCMI0x40I	2
VEFM10	45
VFHCM6x40	1
VTH6x30A	10
VTH10x60	4



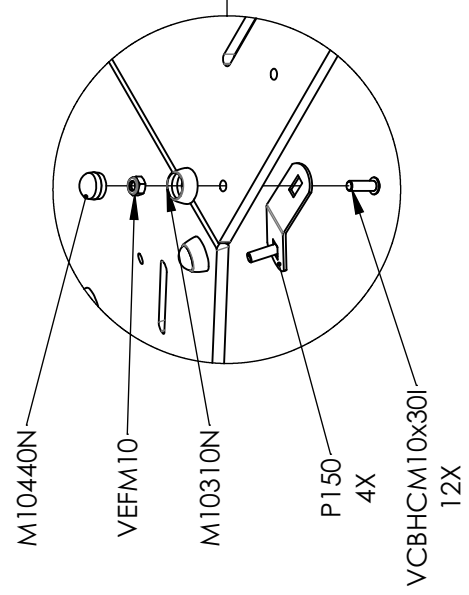




ET38300

ET38325

ET38325



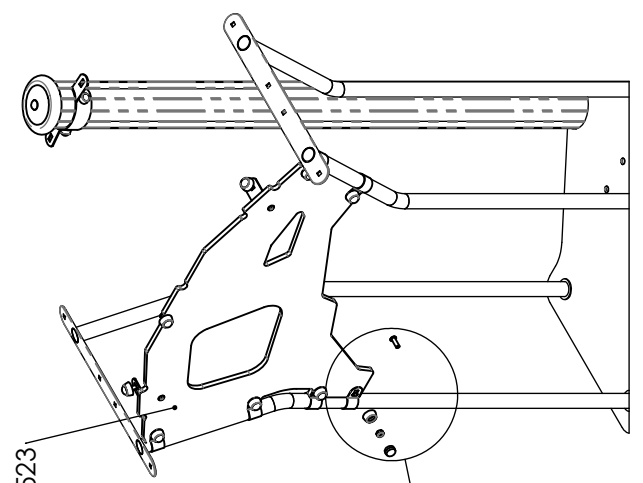
M10440N

VEFM10

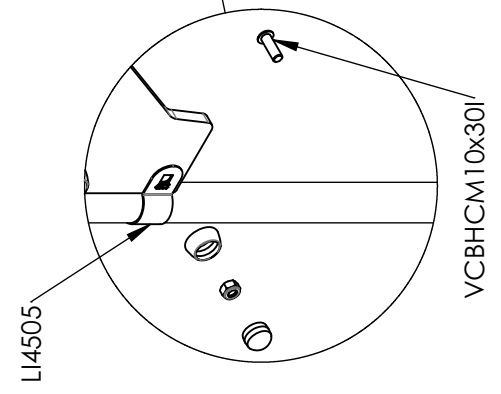
M10310N

P150
4X

VCBHCM10x30I
12X

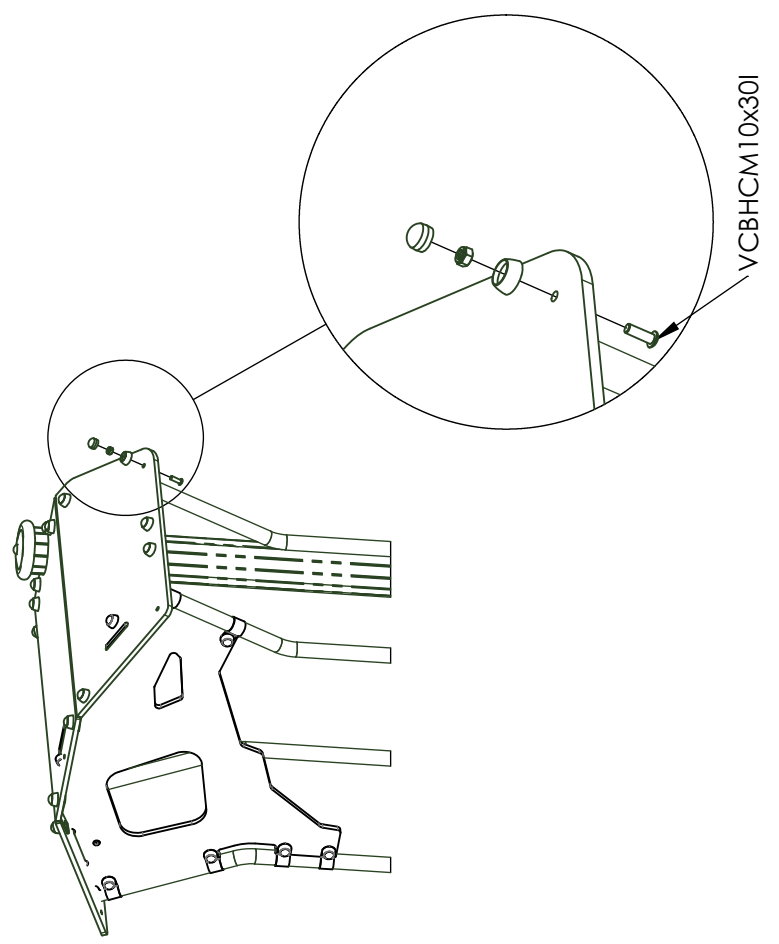


ET38523

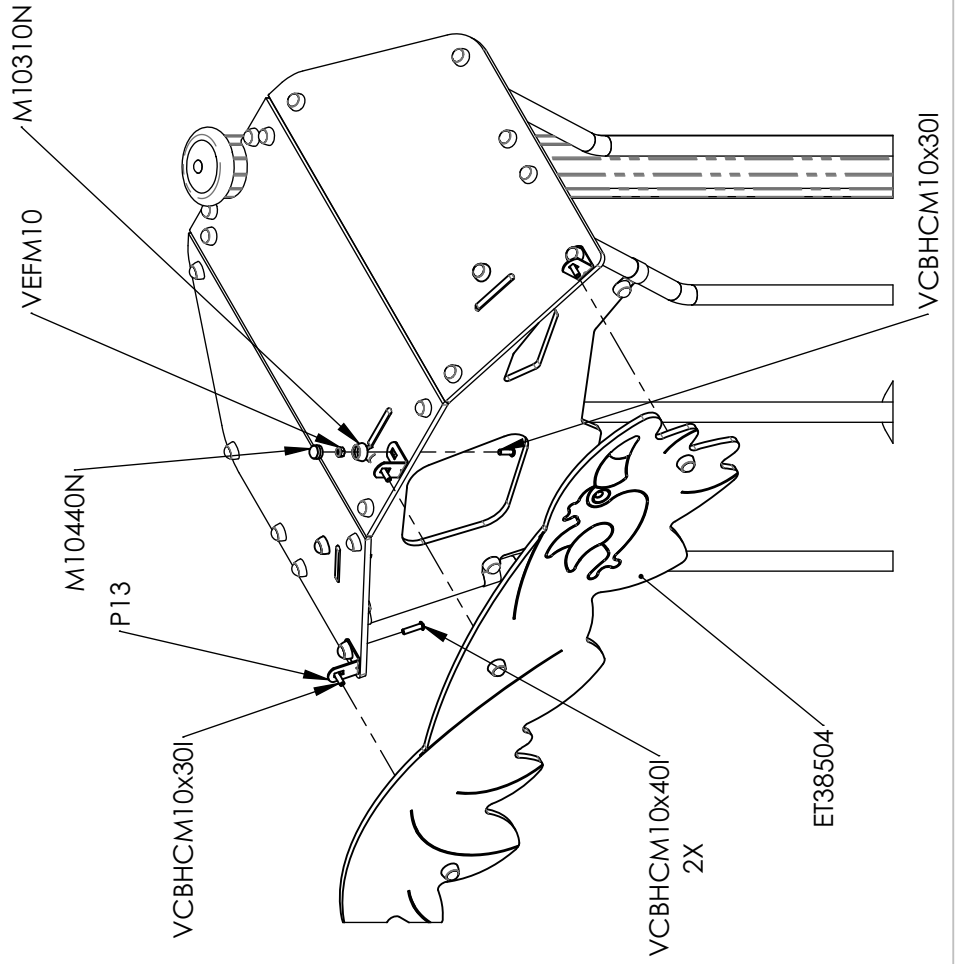
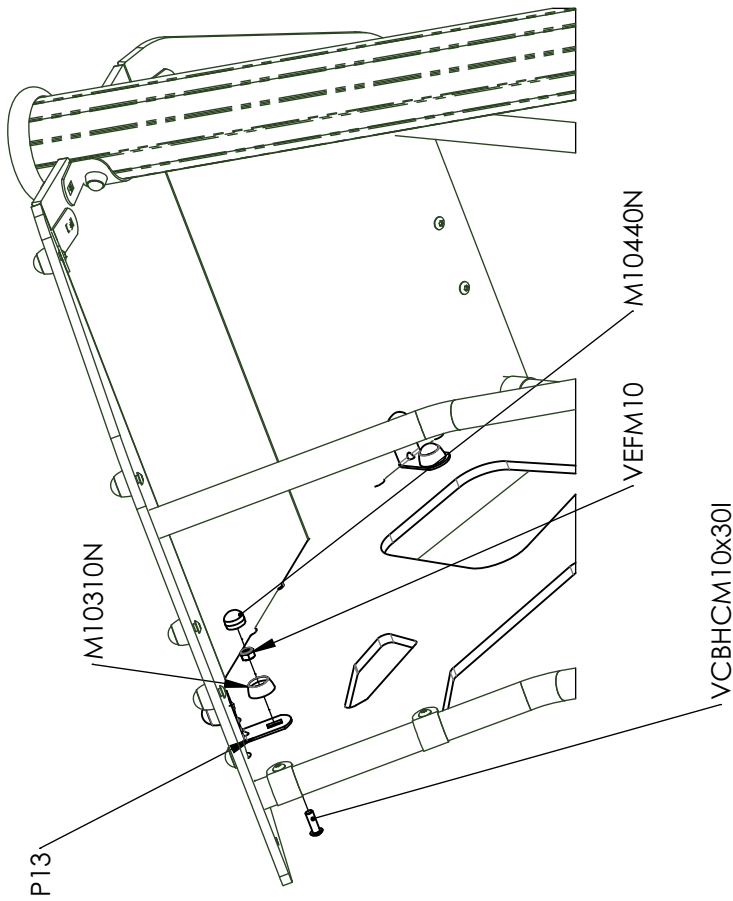


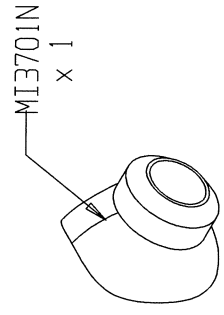
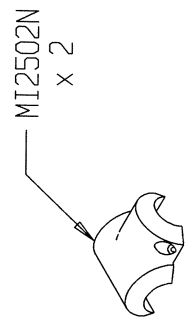
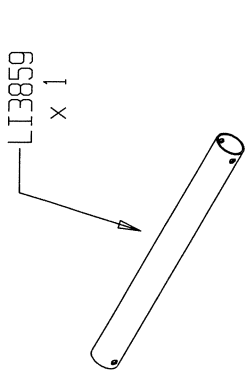
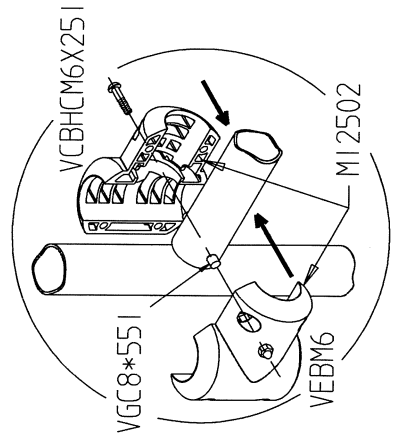
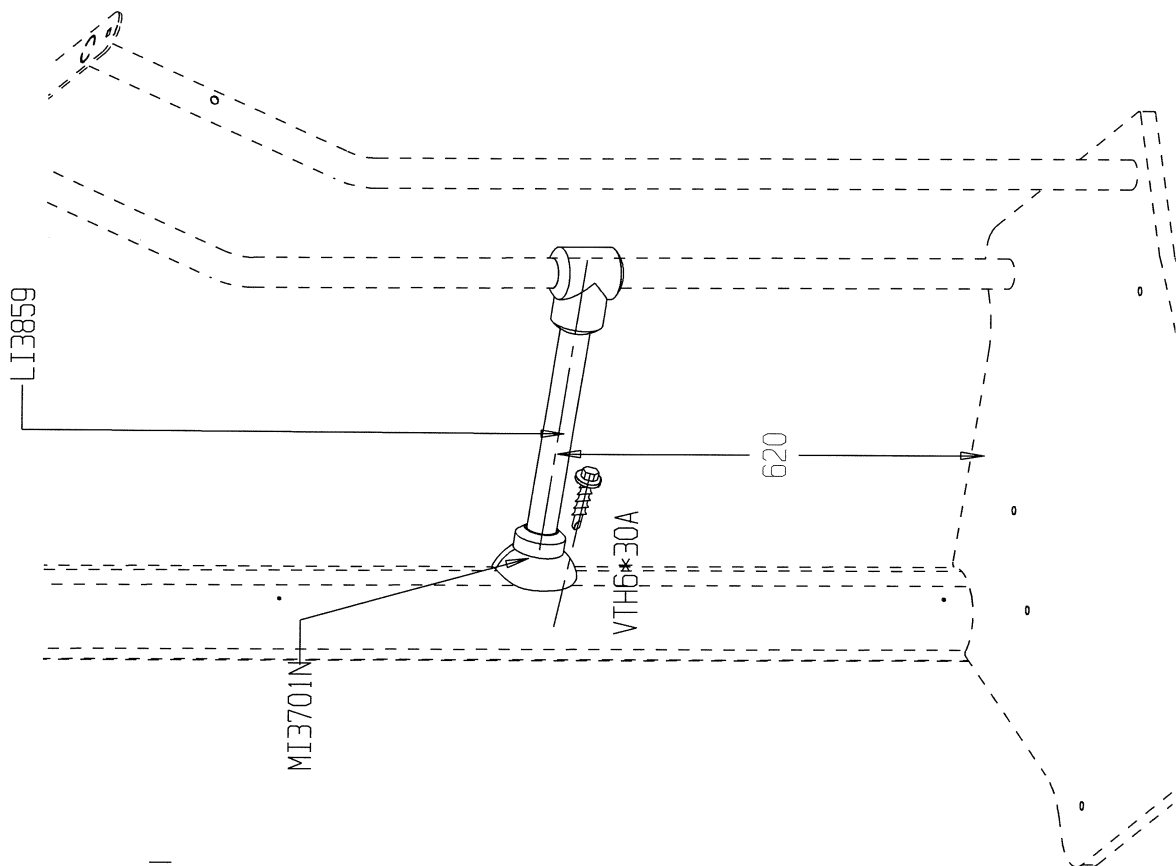
LI4505

VCBHCM10x30I

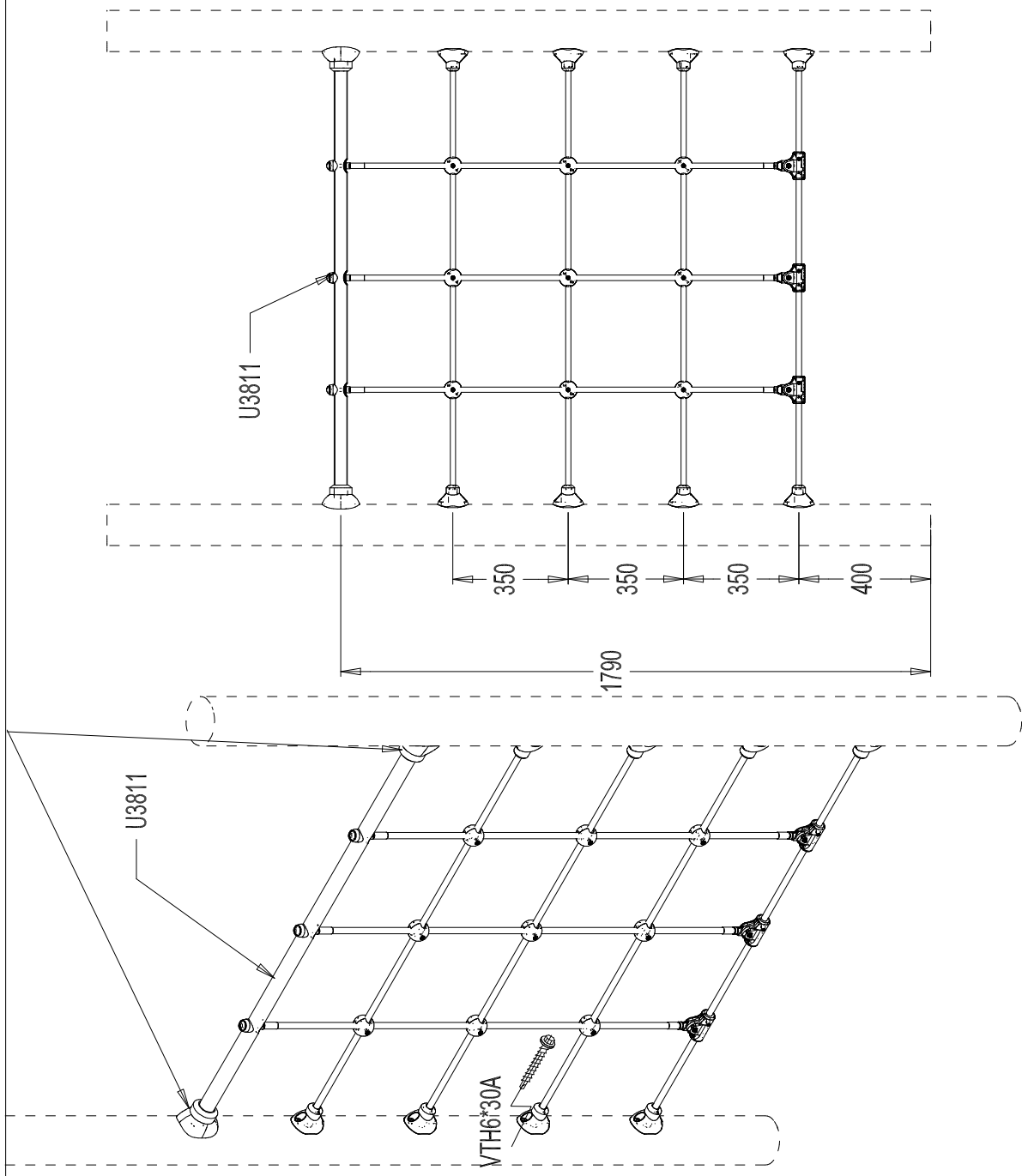
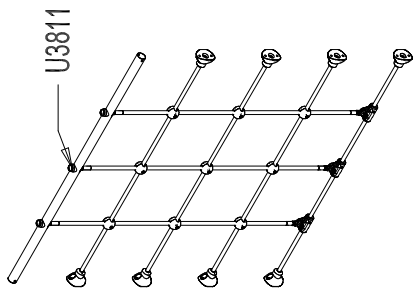
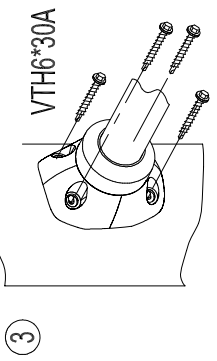
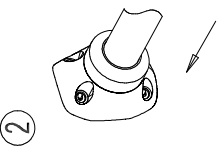
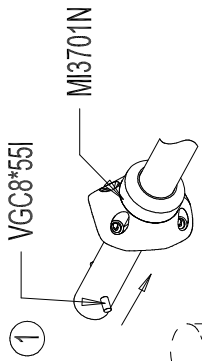





VCBHCM10x30I

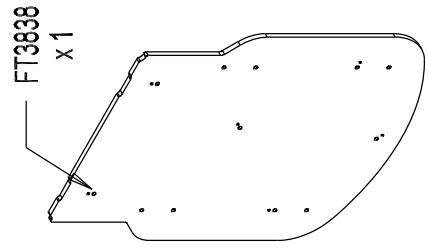
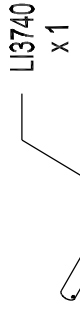
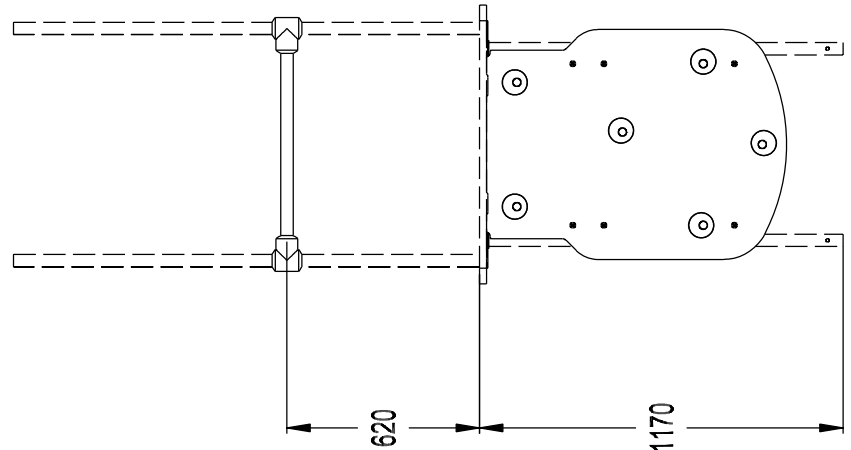
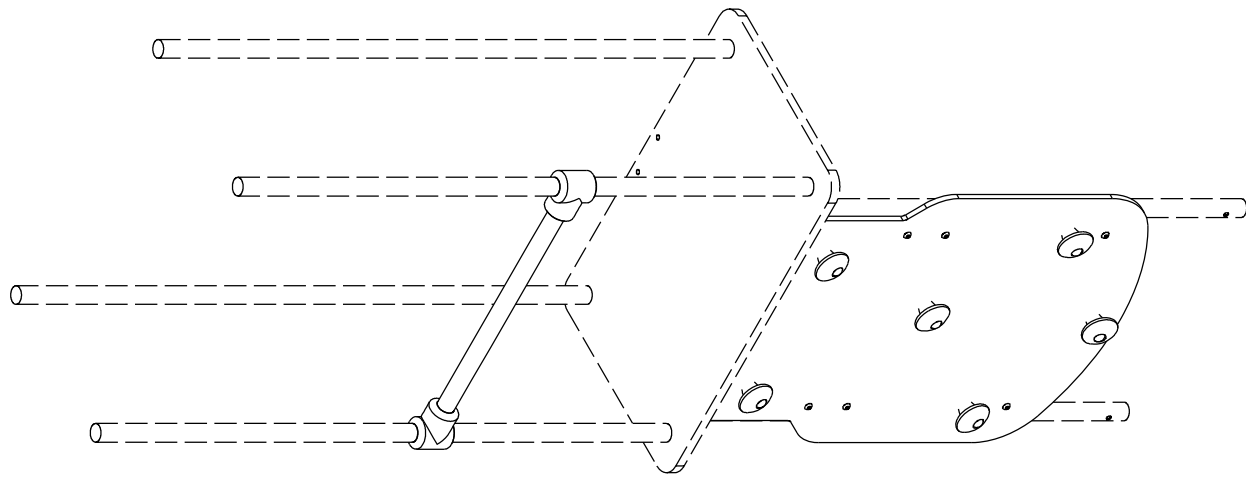




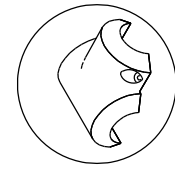
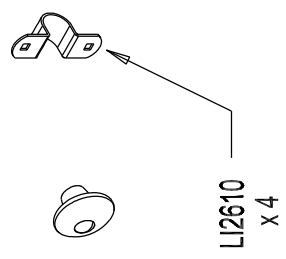
	VGC8*55I	2
	VEBM6	4
	VCBHC6*25I	4
	VTH6*30A	4



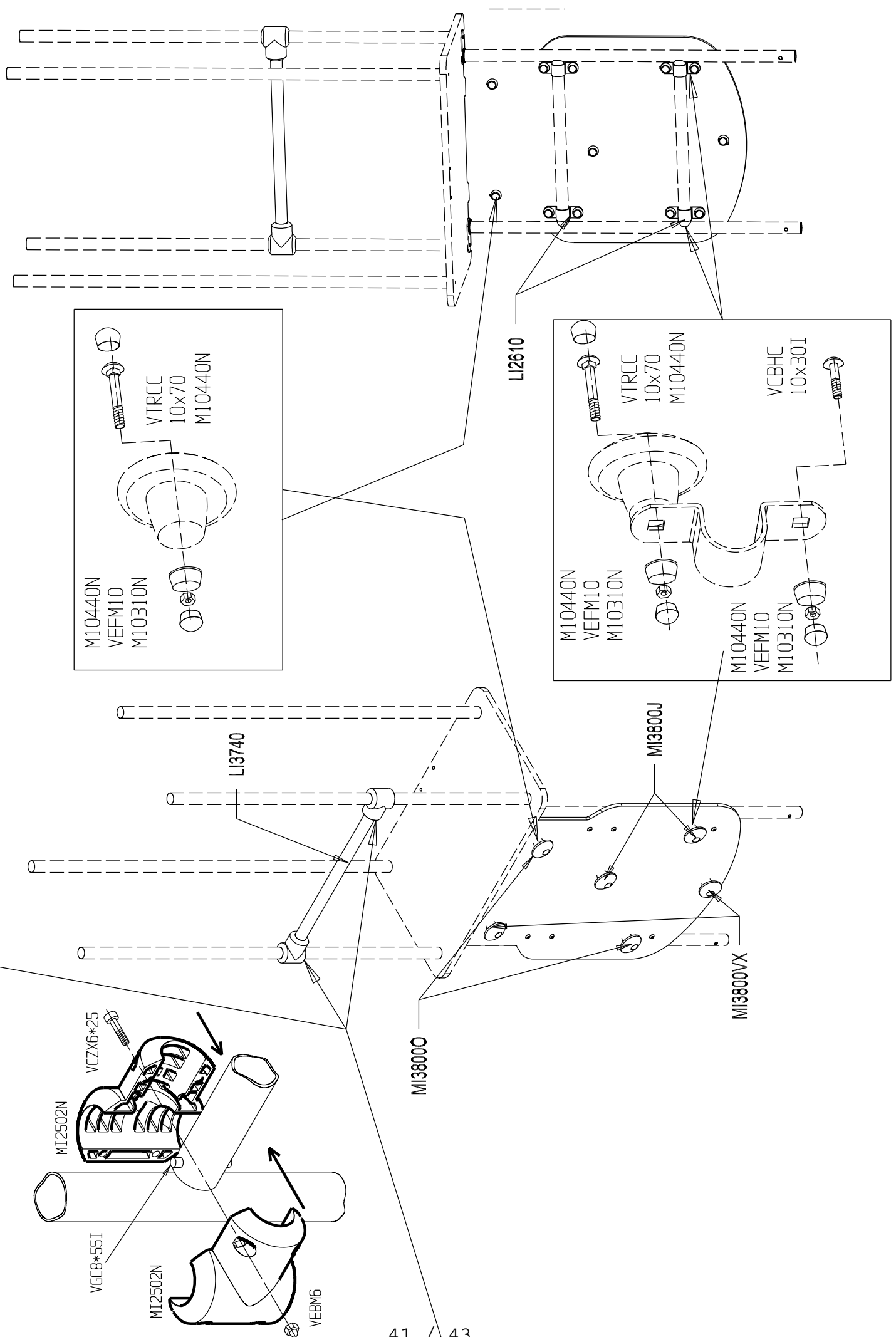
	VGC8*55I	2
	VTH 6x30A	24
	M13701N	2

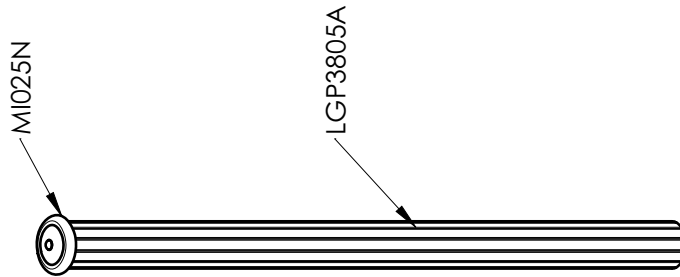
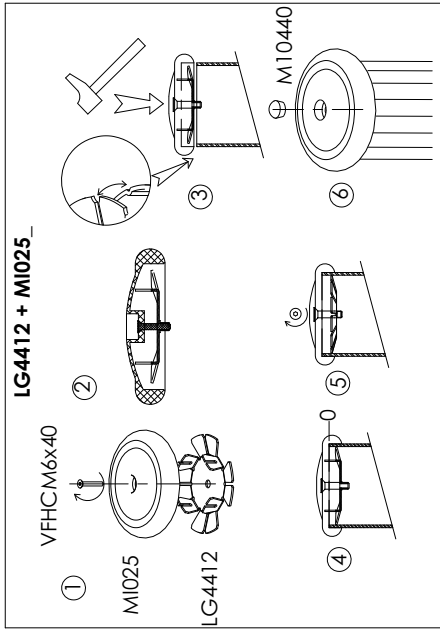


- MI3800VX x2
- MI3800J x2
- MI3800O x2

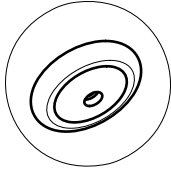


	VCZX 6x25	8
	VEBM6	8
	VCBHCM10*30I	6
	VTRCC10x70	6
	M10310N	12
	M10440N	18
	VEFM10	12

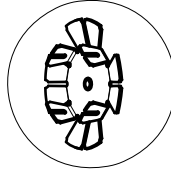




LGP3805A

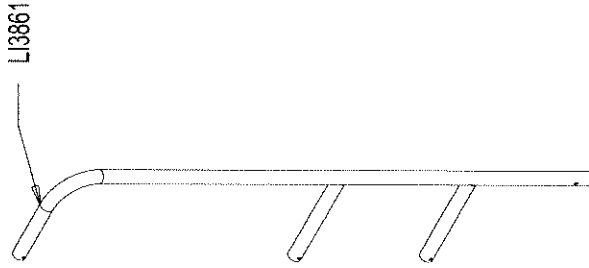
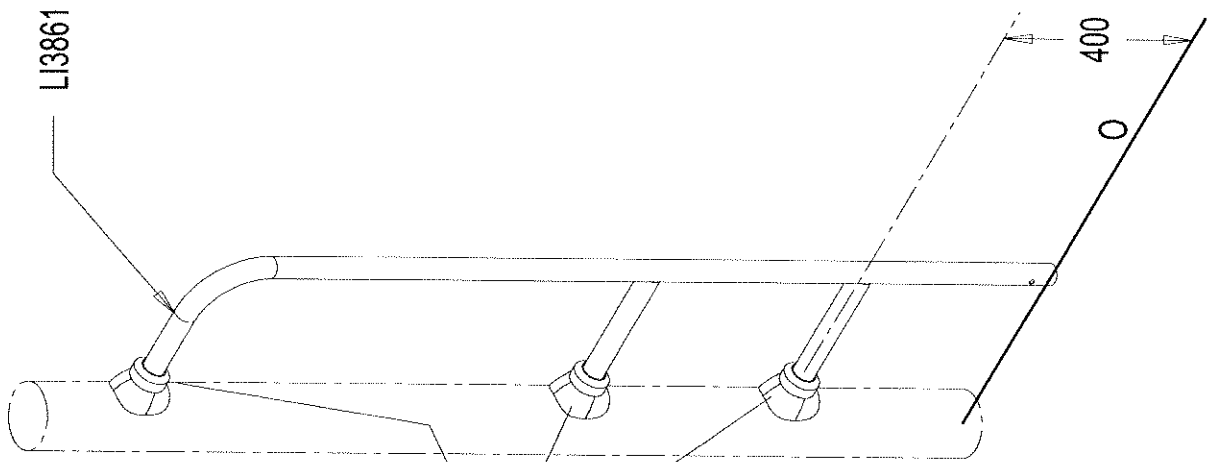
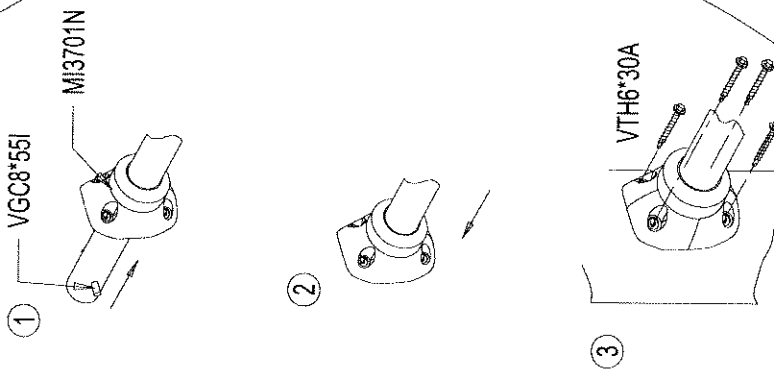



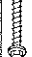

MI025



LG4412

Réf	Qté
LG4412	1
LGP3805A	1
M10440N	1
MI025N	1
VFHCM6x40	1



	VGC8*55I	3
	VTH 6x30A	12
	MI3701N	3