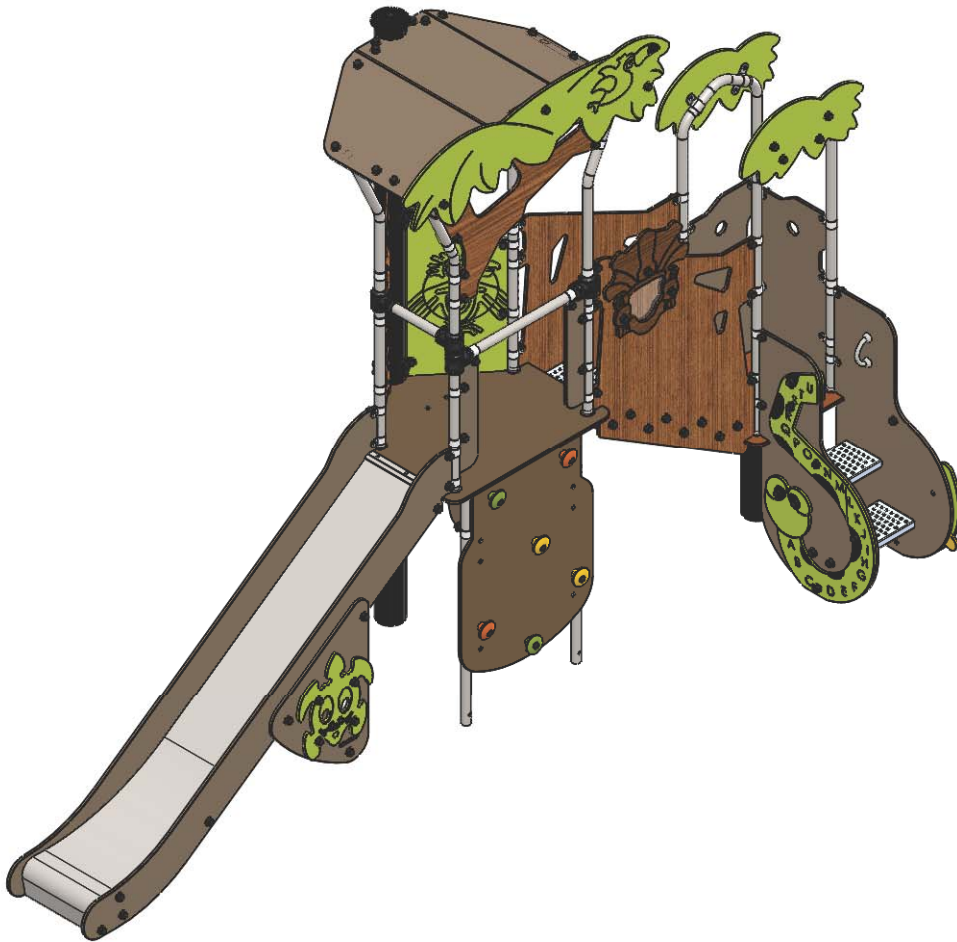


J38501

*Proludic*





| N° |        |                     |
|----|--------|---------------------|
| 1  | 0.6 m  | 5.5 m <sup>2</sup>  |
| 2  | 1 m    | 5.5 m <sup>2</sup>  |
| 3  | 1.17 m | 17.5 m <sup>2</sup> |

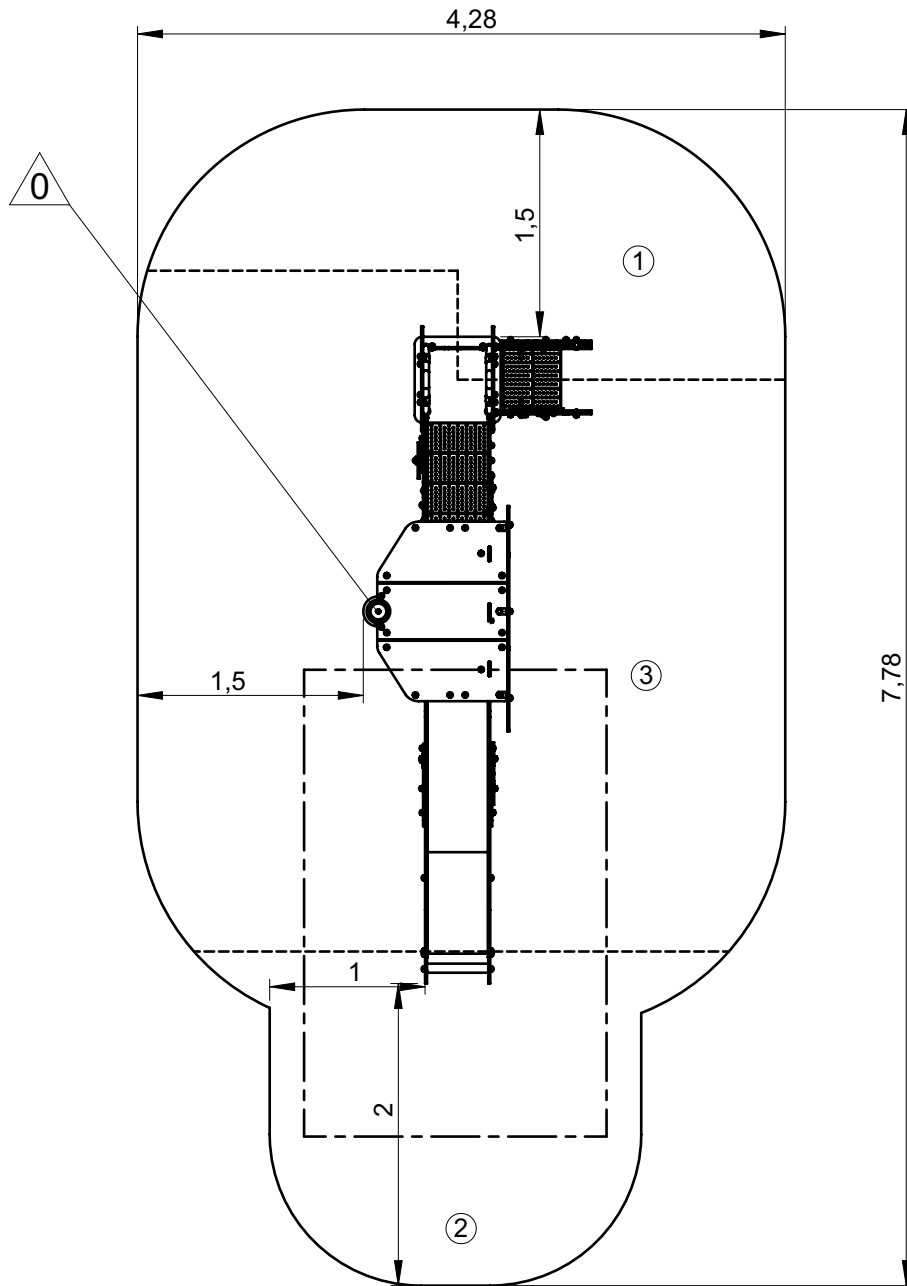
— Zone d'impact  
Impact area  
Area de impacto  
Fallraum  
Valzone

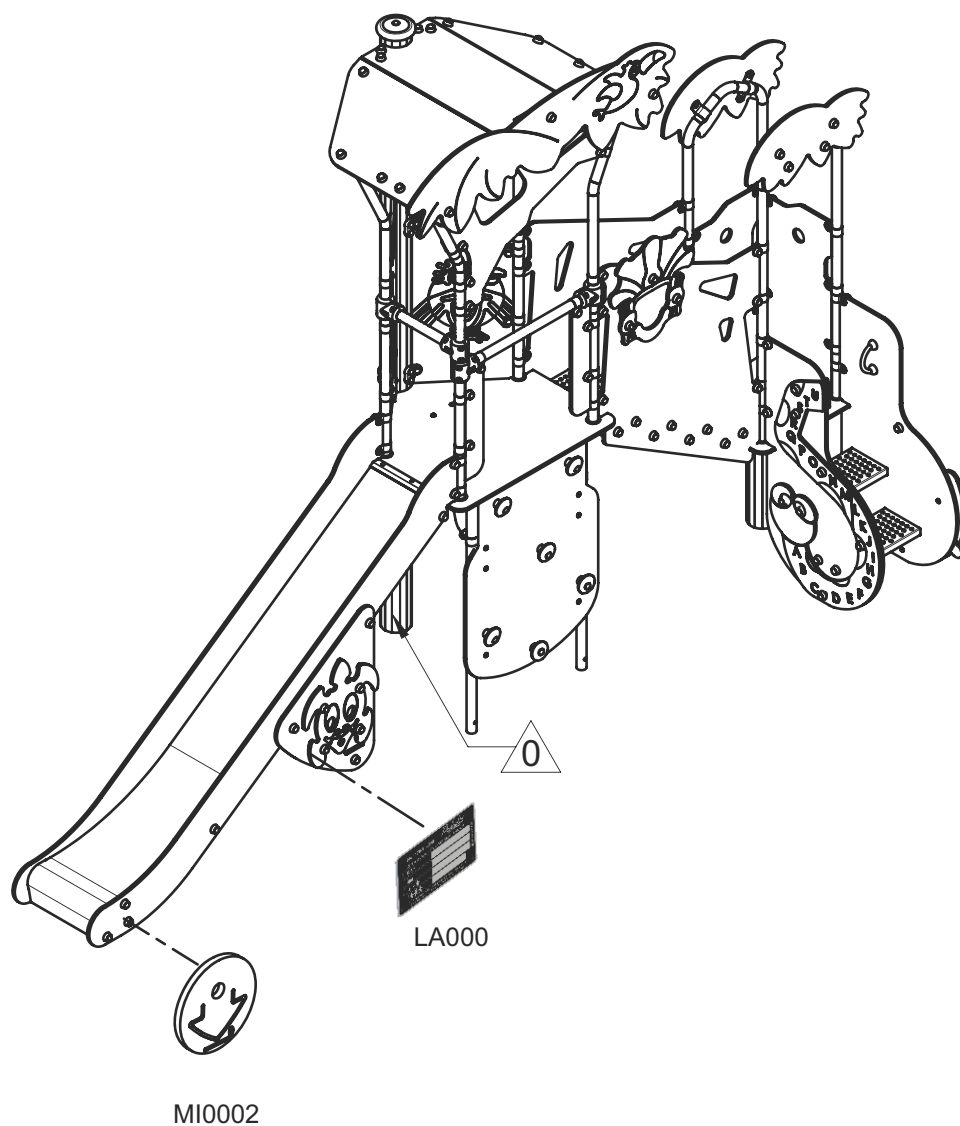


Point de référence  
Setting out point  
Punto de referencia  
Bezugspunkt  
Referentiepunt

- - - Espace libre  
Free space  
Espacio libre  
Freiraum  
Vrije ruimte

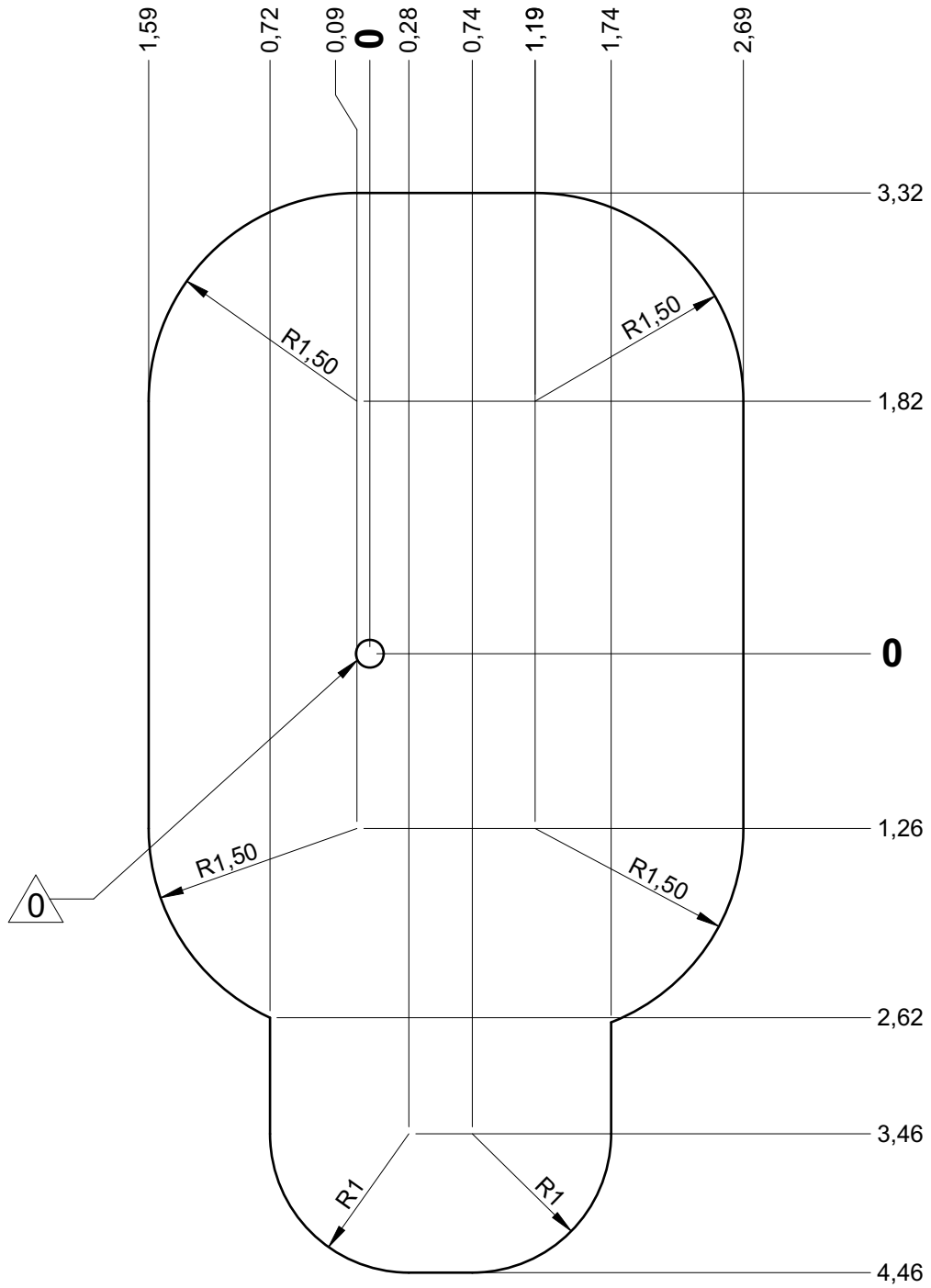
EN1176-1:2017  
EN1176-3:2017





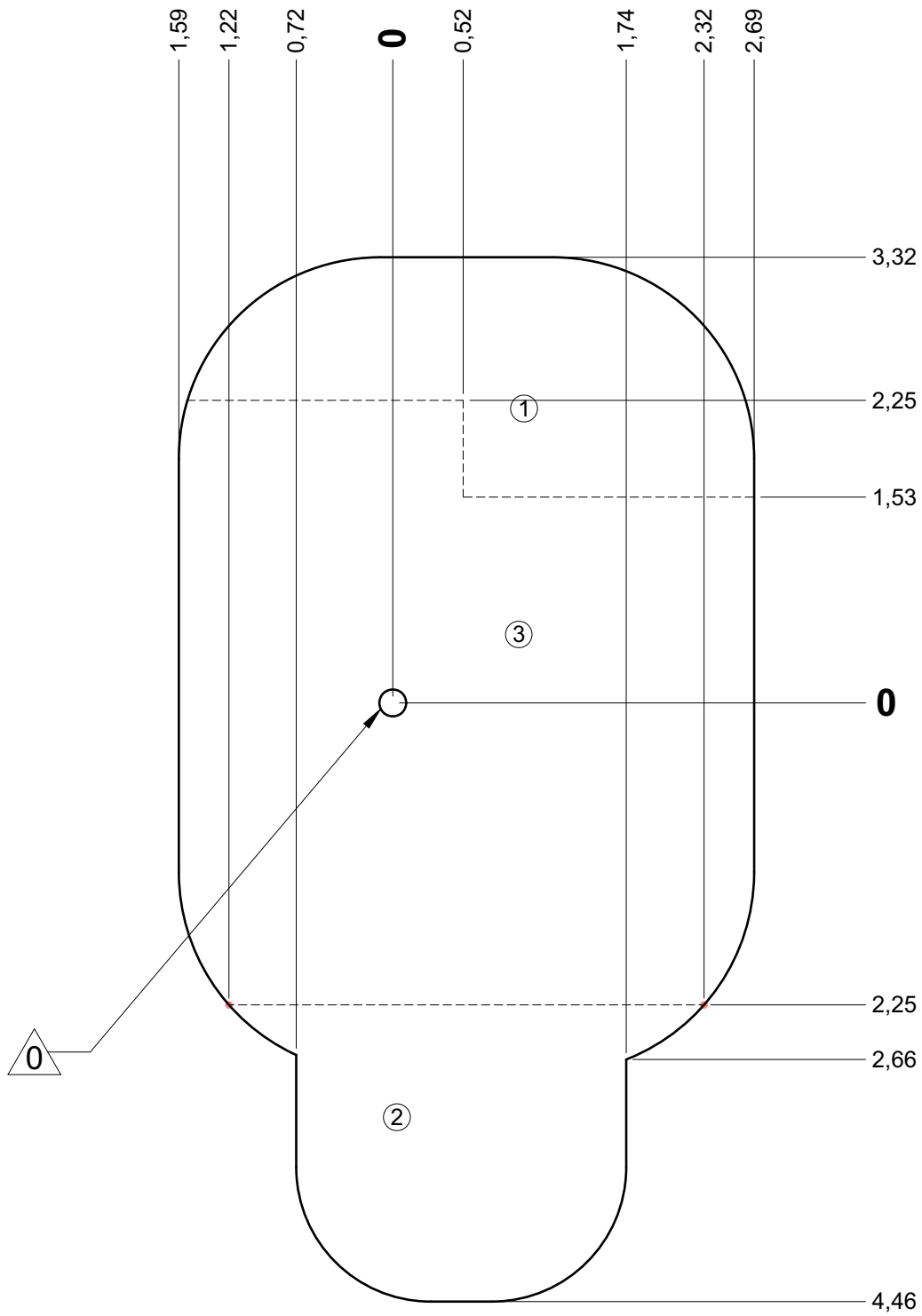
— Zone d'impact  
 Impact area  
 Area de impacto  
 Fallraum  
 Valzone

28.5 m<sup>2</sup>



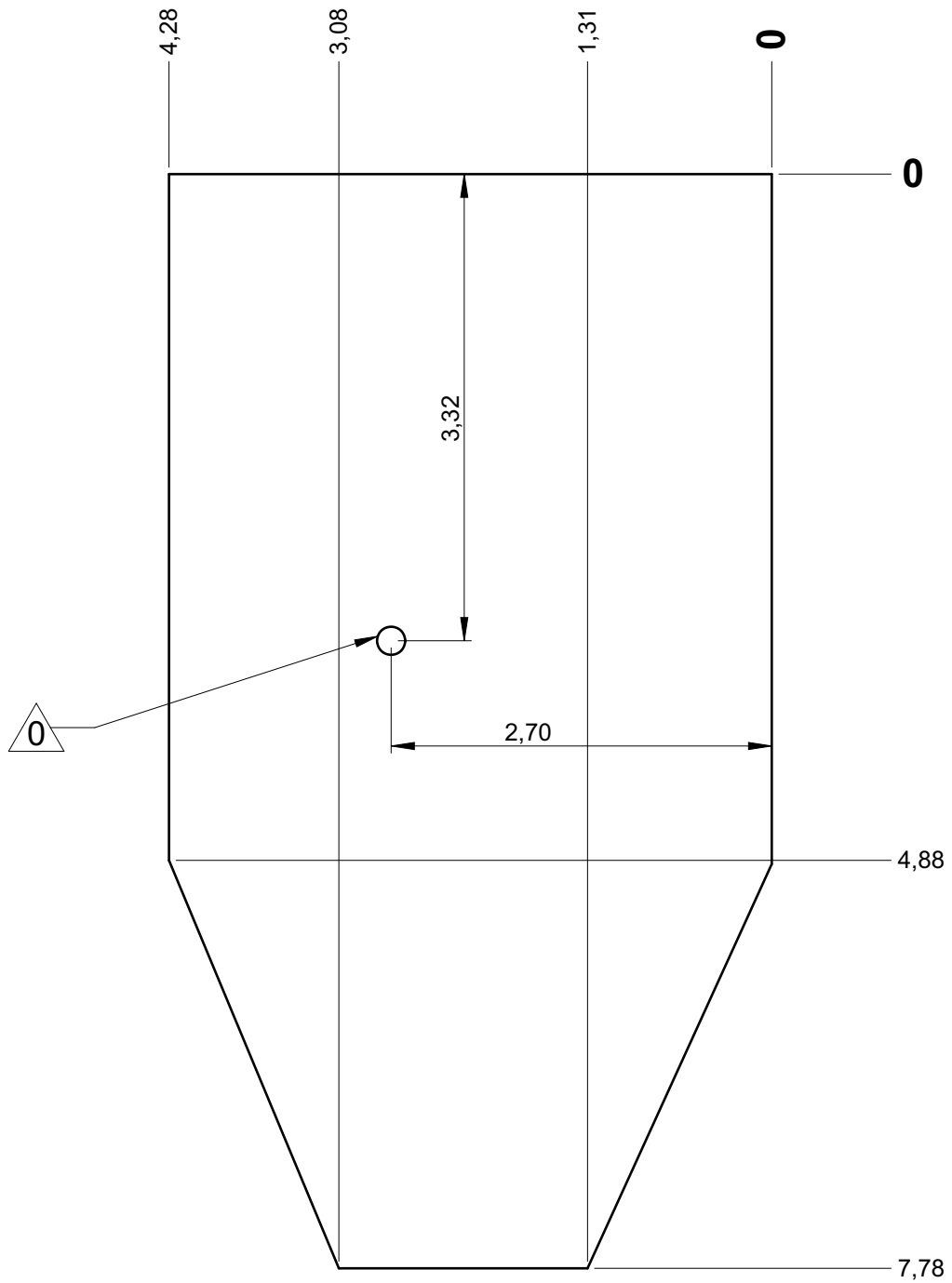
— Sol souple  
 Wetpour  
 Caucho continuo  
 Synthetischer fallschutz  
 Gietvloer

28.5 m<sup>2</sup>

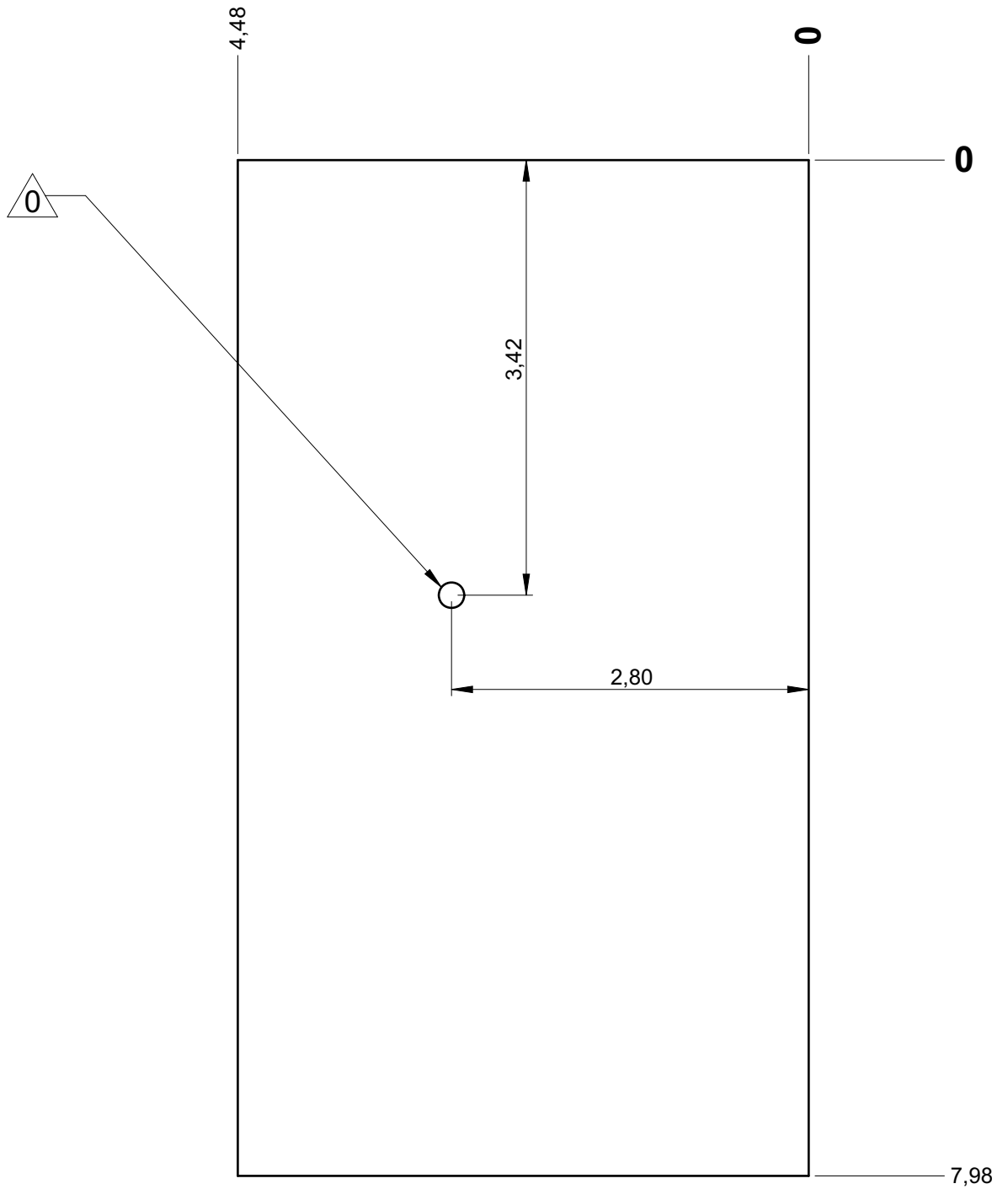


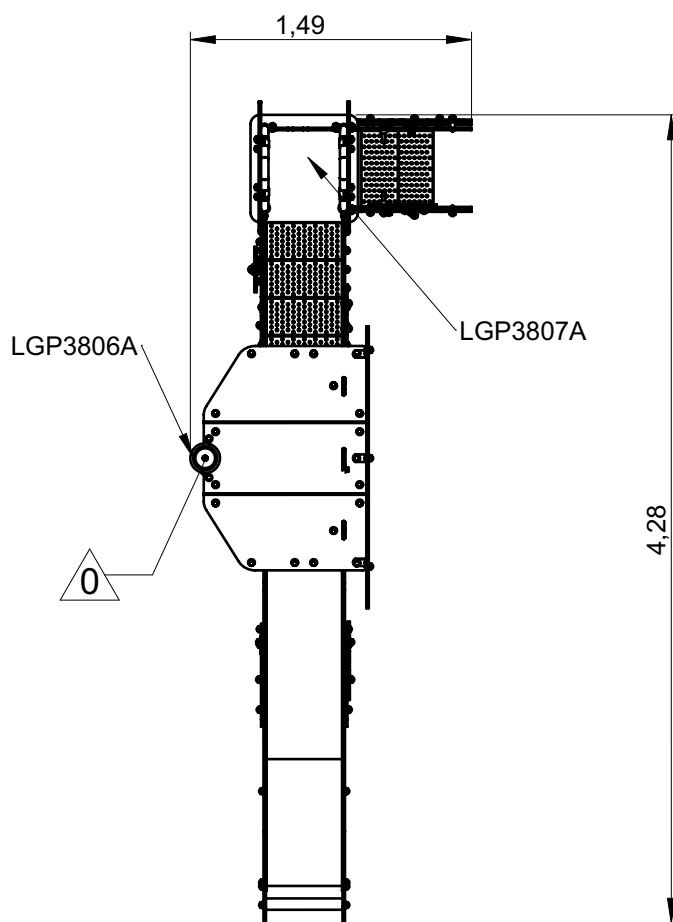
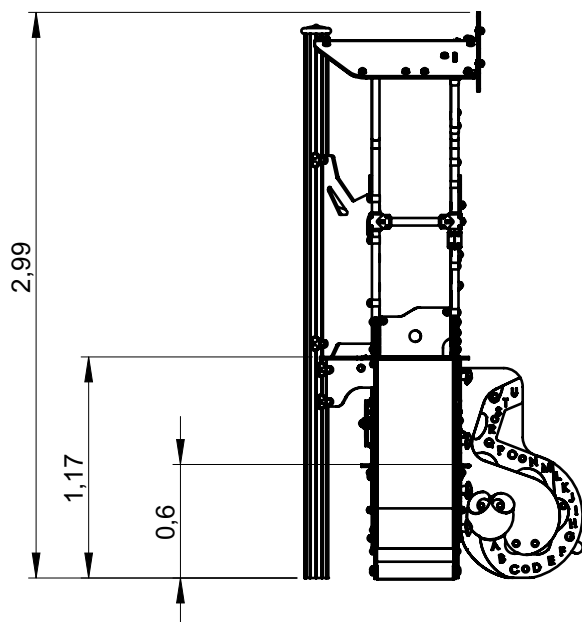
— Dalle béton  
 Concrete pad  
 Solera de hormigon  
 Beton bodenplatte  
 Betonnen bodemplaat

22.5 m  
 30 m<sup>2</sup>



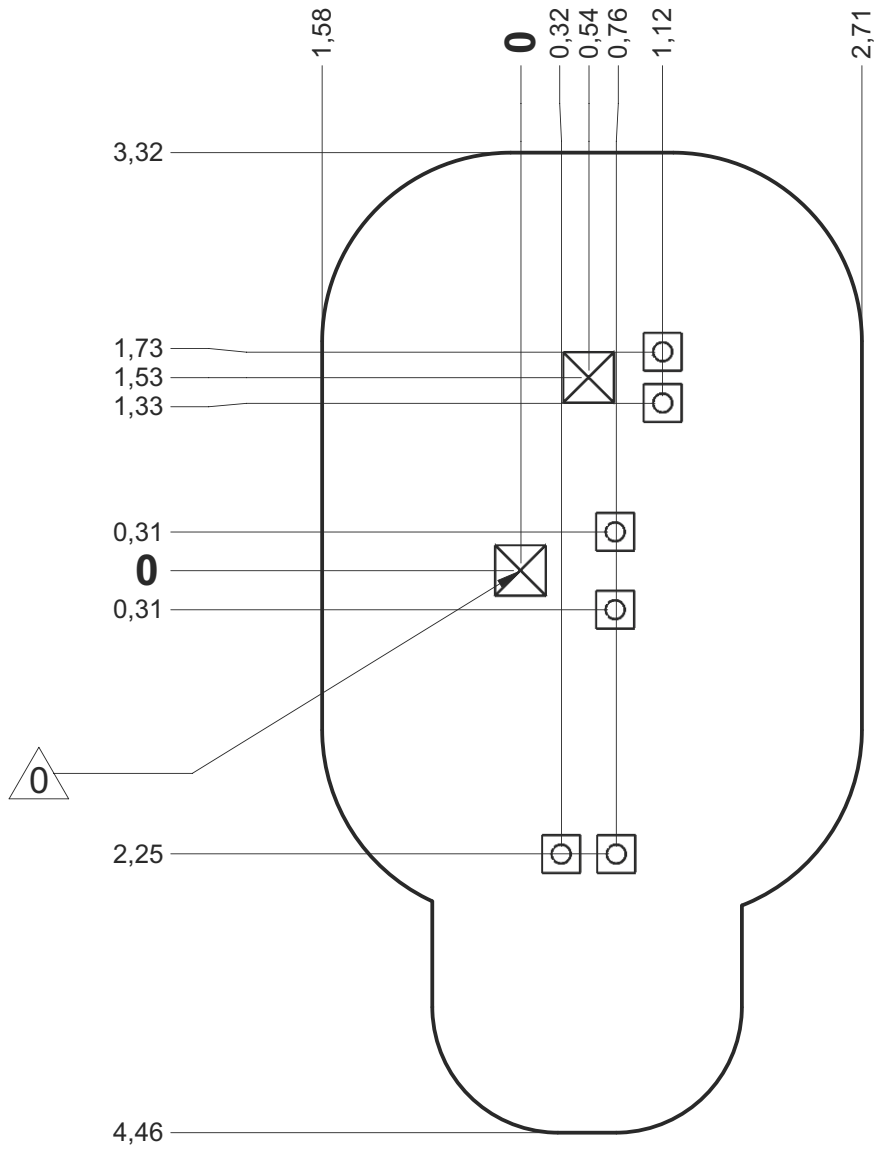
— Sol fluent  
Loos partucule material 25 m  
Arenero  
Loses Bodenmaterial 36 m<sup>2</sup>  
Los bodemateriaal



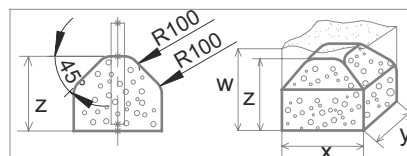







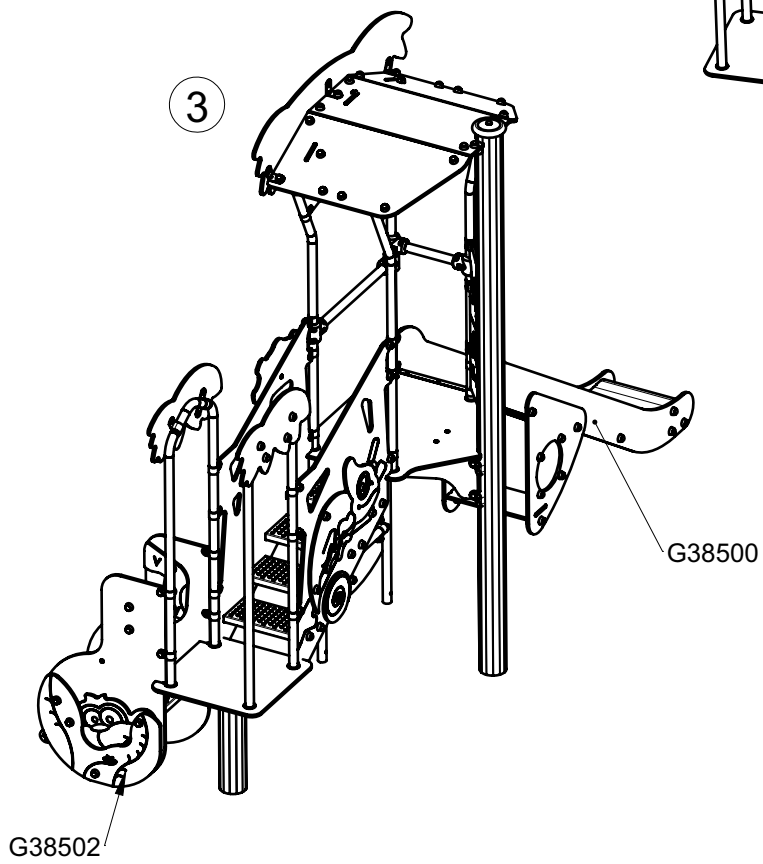
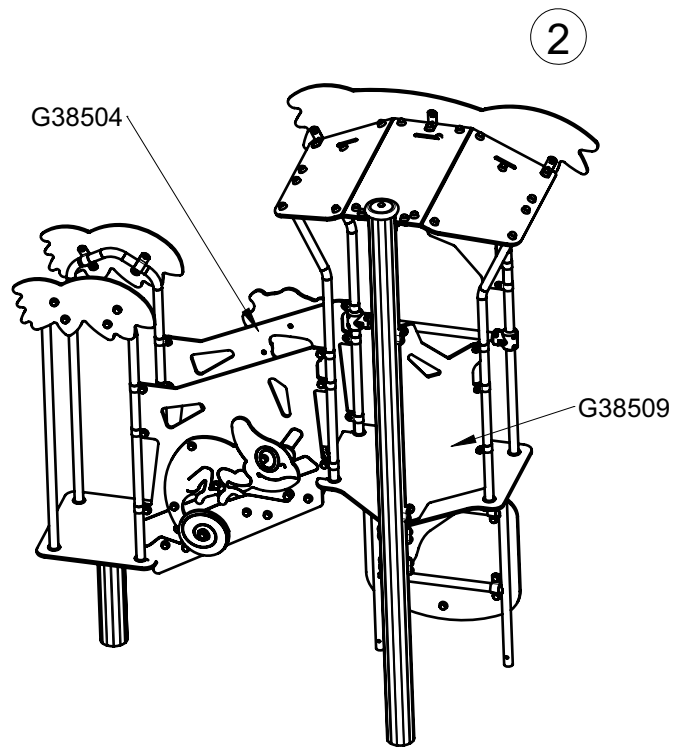
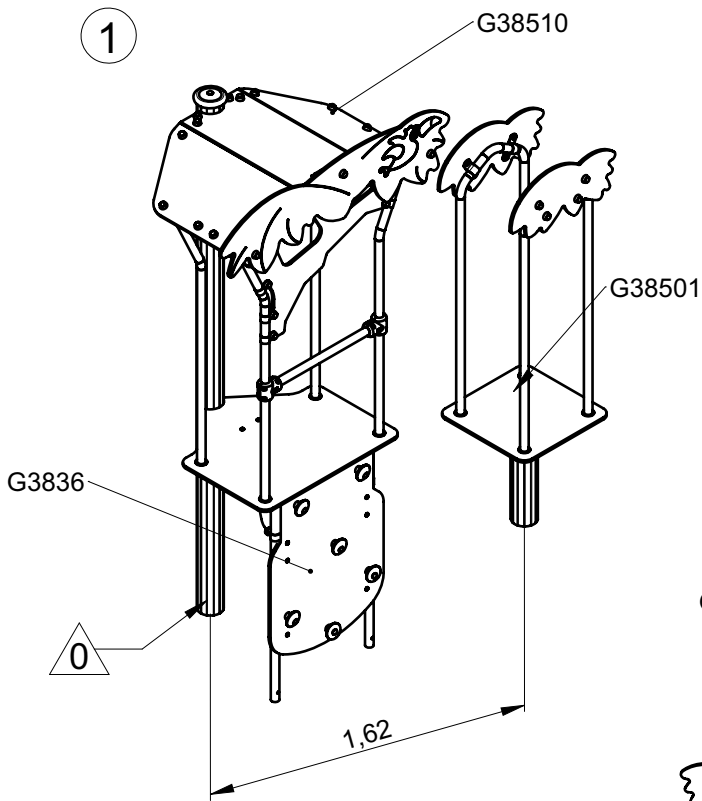
Implantation  
 Footing plan  
 Implantación  
 Fundamentplan  
 Funderingstekening

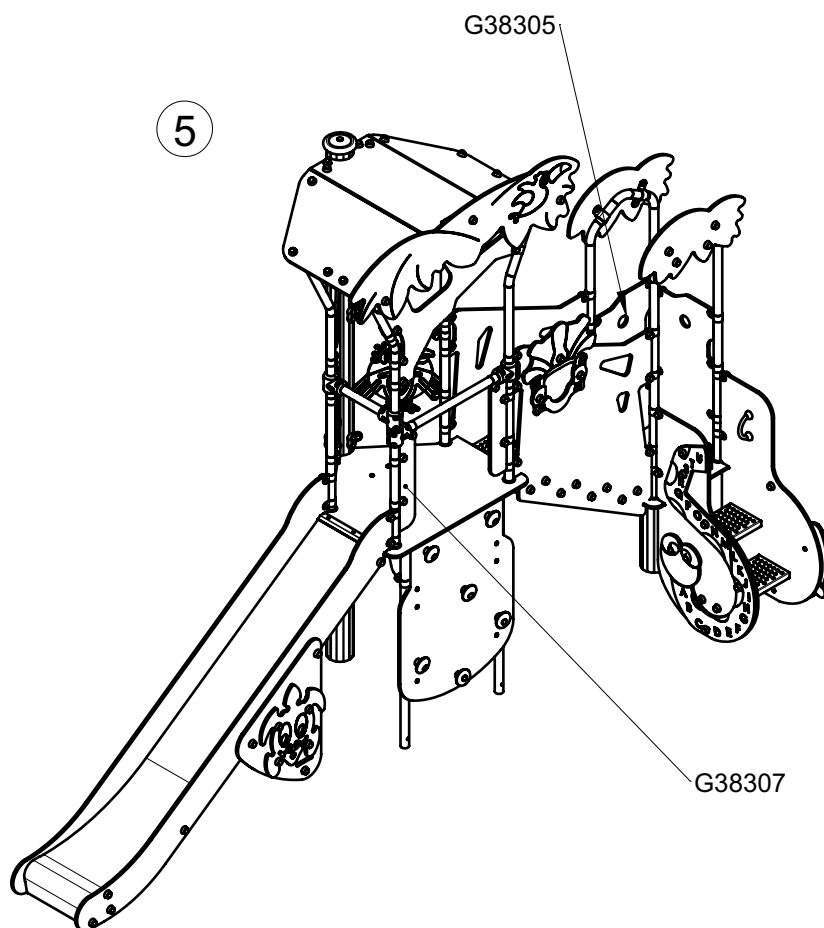
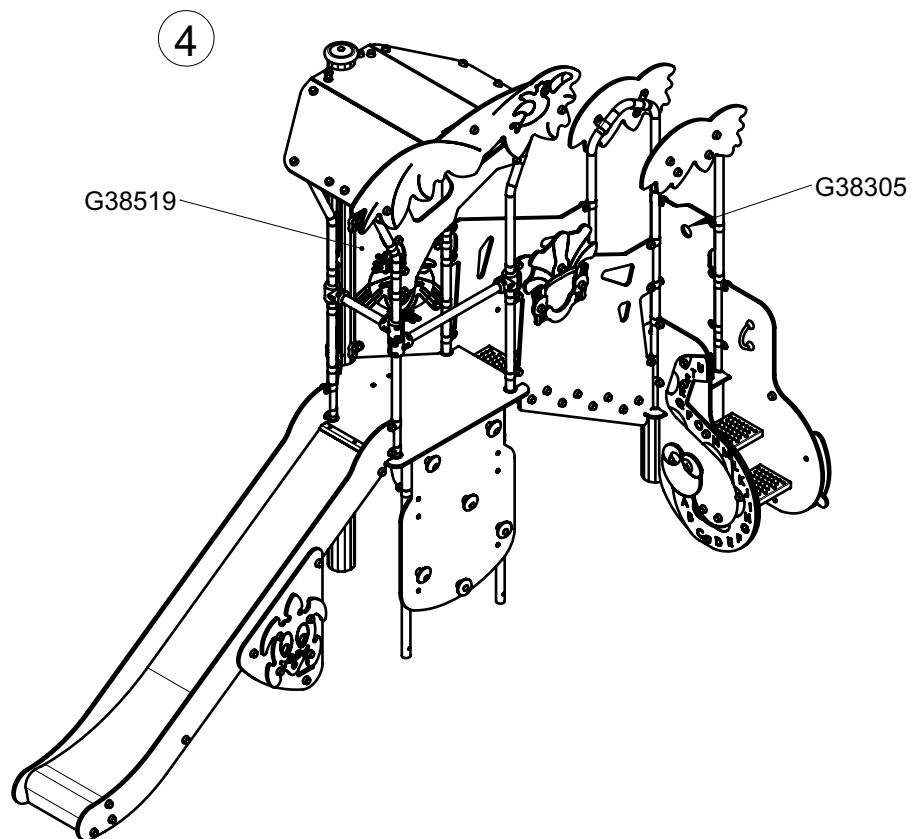


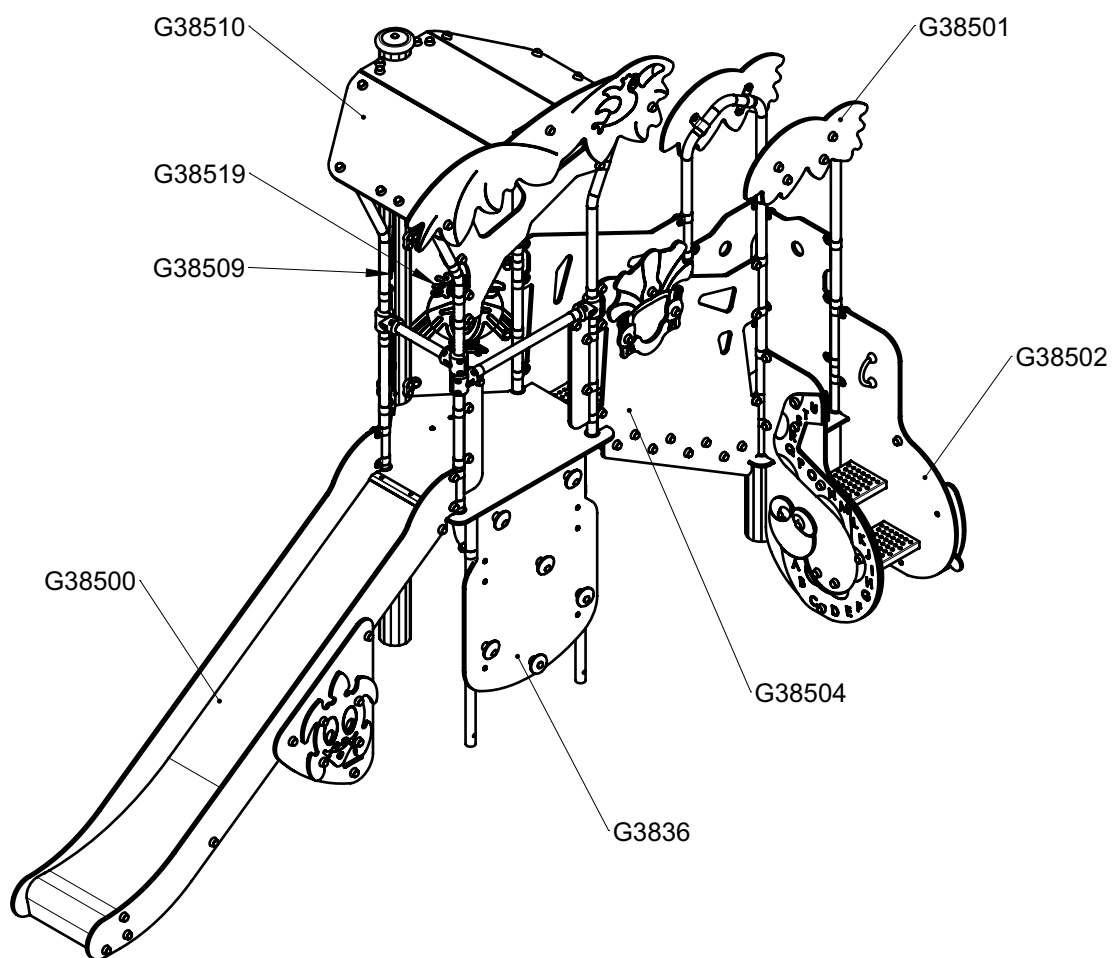
 x2  
 12H  
 0.15 m<sup>3</sup>



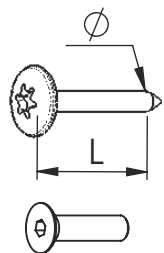
|   | x   | y   | z              | w   |
|---|-----|-----|----------------|-----|
|  | 0.3 | 0.3 | <del>0.3</del> | 0.6 |
|  | 0.3 | 0.3 | 0.3            | 0.6 |
|  | 0.4 | 0.4 | 0.3            | 0.6 |







| Réf     | Qté |
|---------|-----|
| G3836   | 1   |
| G38305  | 2   |
| G38307  | 1   |
| G38500  | 1   |
| G38501A | 1   |
| G38502  | 1   |
| G38504  | 1   |
| G38509  | 1   |
| G38510  | 1   |
| G38519  | 1   |



VBT 6 x 30  
 $\varnothing$   $\uparrow$  L (mm)

VFHC



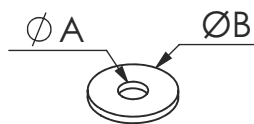
VEC M10  
 $\varnothing$



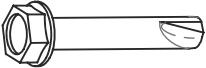
VEF




VEB



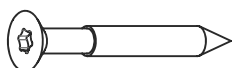
VR6x18  
 $\varnothing A$   $\varnothing B$



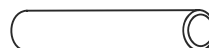
**1000 - 1800 tr/min**  
 Vitesse de rotation  
 Rotation speed



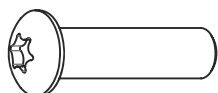
**14 N.m**  
 Couple de rupture  
 Torque of break



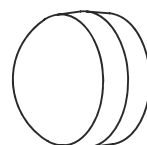
VWT



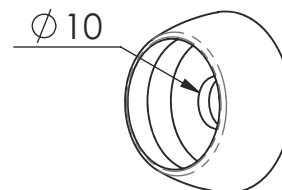
VGC



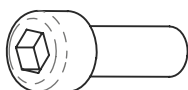
VCBHC



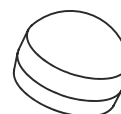
M10 440N



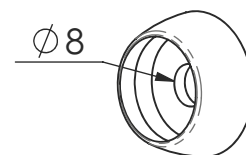
M10 310 N



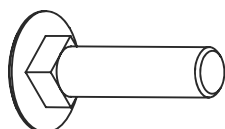
VBTR



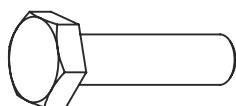
M8440N



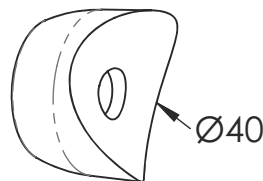
M8310N



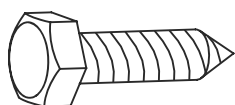
VTRCC



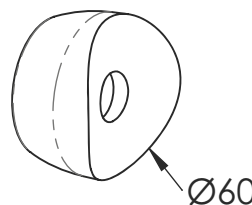
VTH



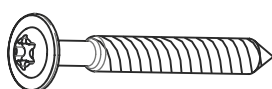
MI2503



VTF



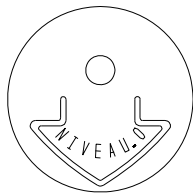
MI2701



VBT

# A

*Proludic*



MI0002

VCBHCM10

M10310N  
VEFM10  
M10440N

LG08

M10440N  
VEFM10  
MI2503

LG3802

M10440N  
VTH10\*80  
MI2503

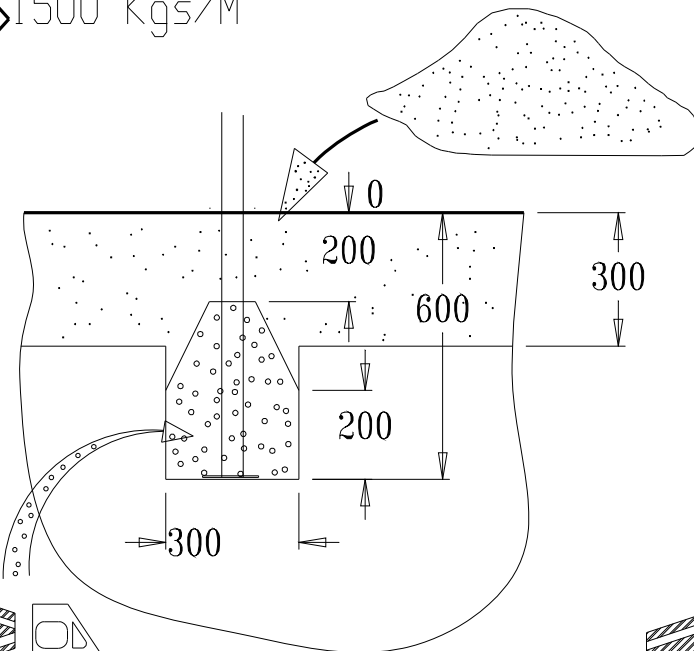
LG3804



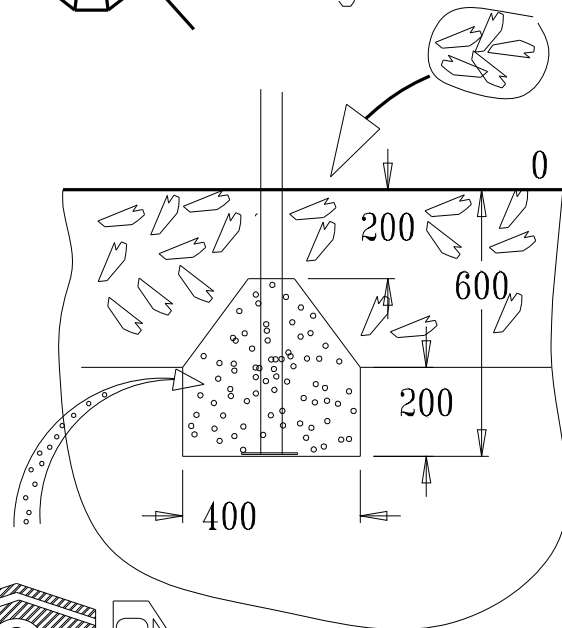
> 1500 Kgs/M<sup>3</sup>



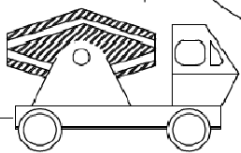
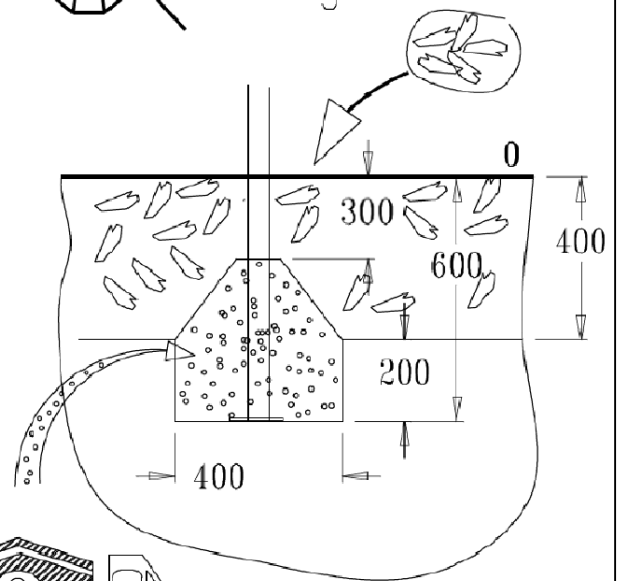
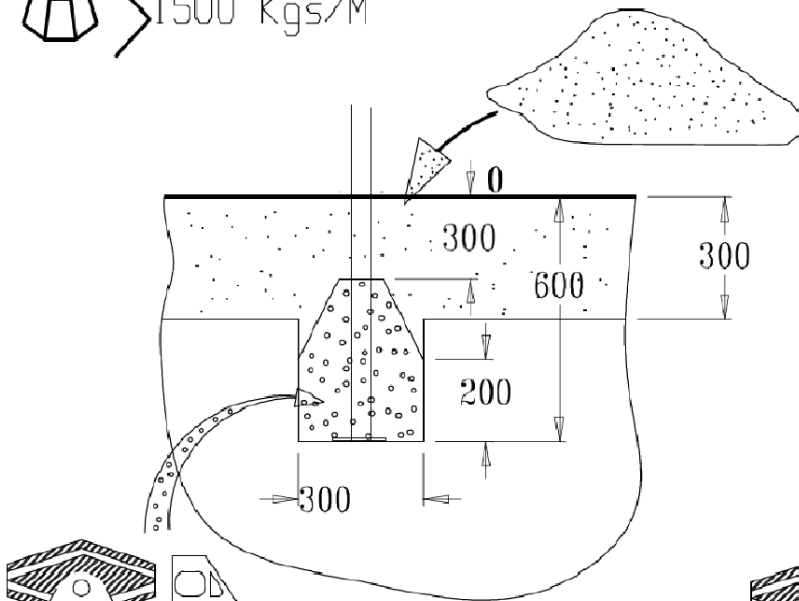
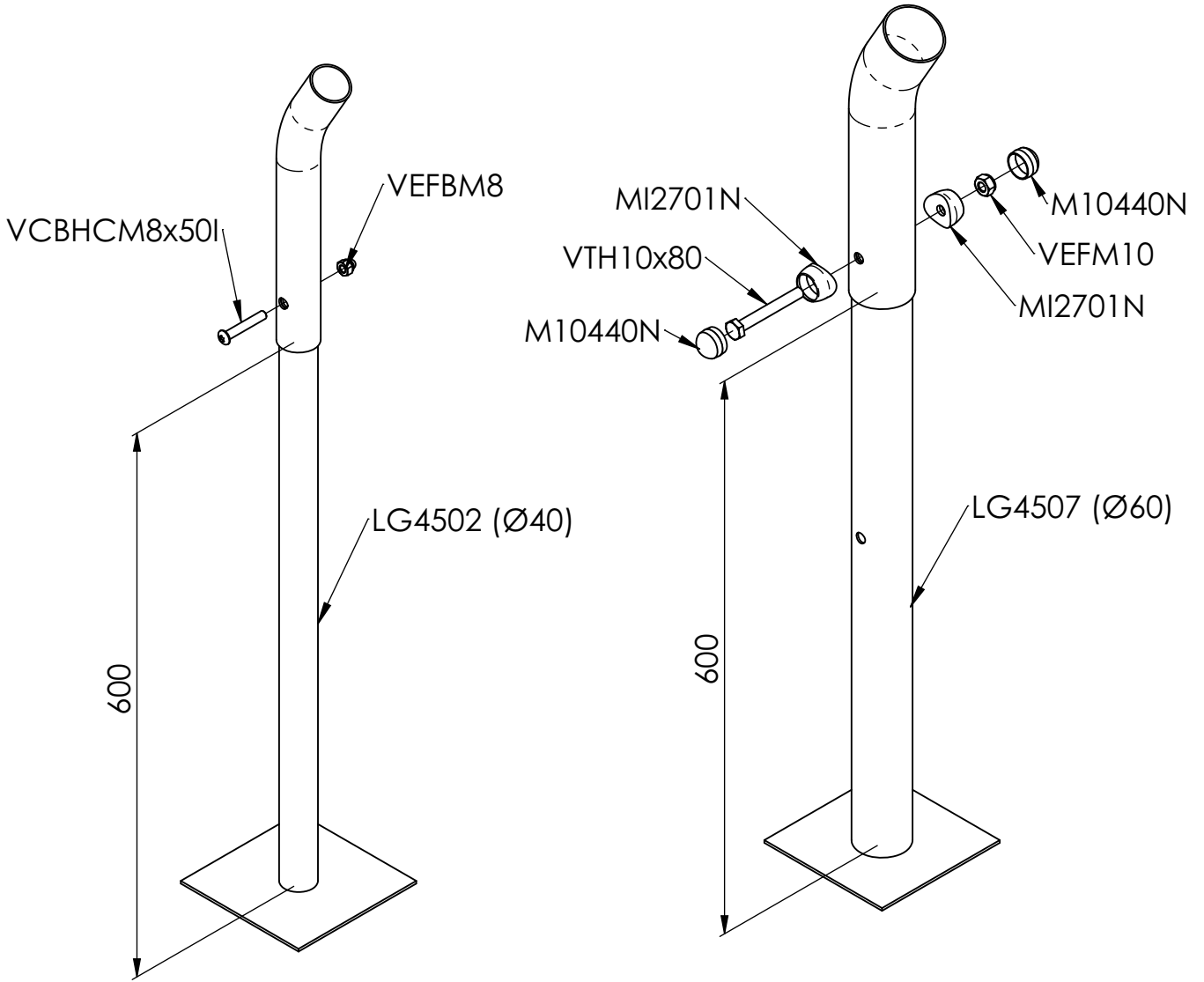
< 1500 Kgs/M<sup>3</sup>



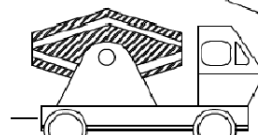
50 Kgs



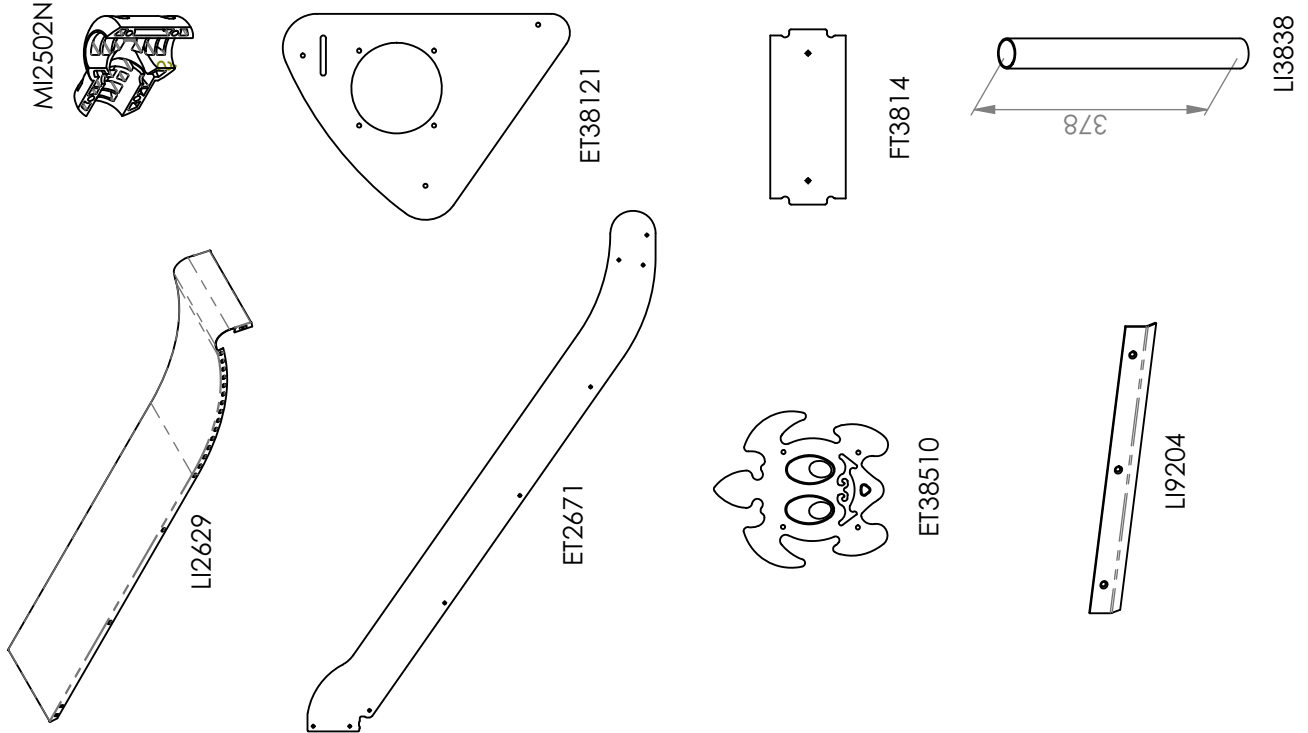
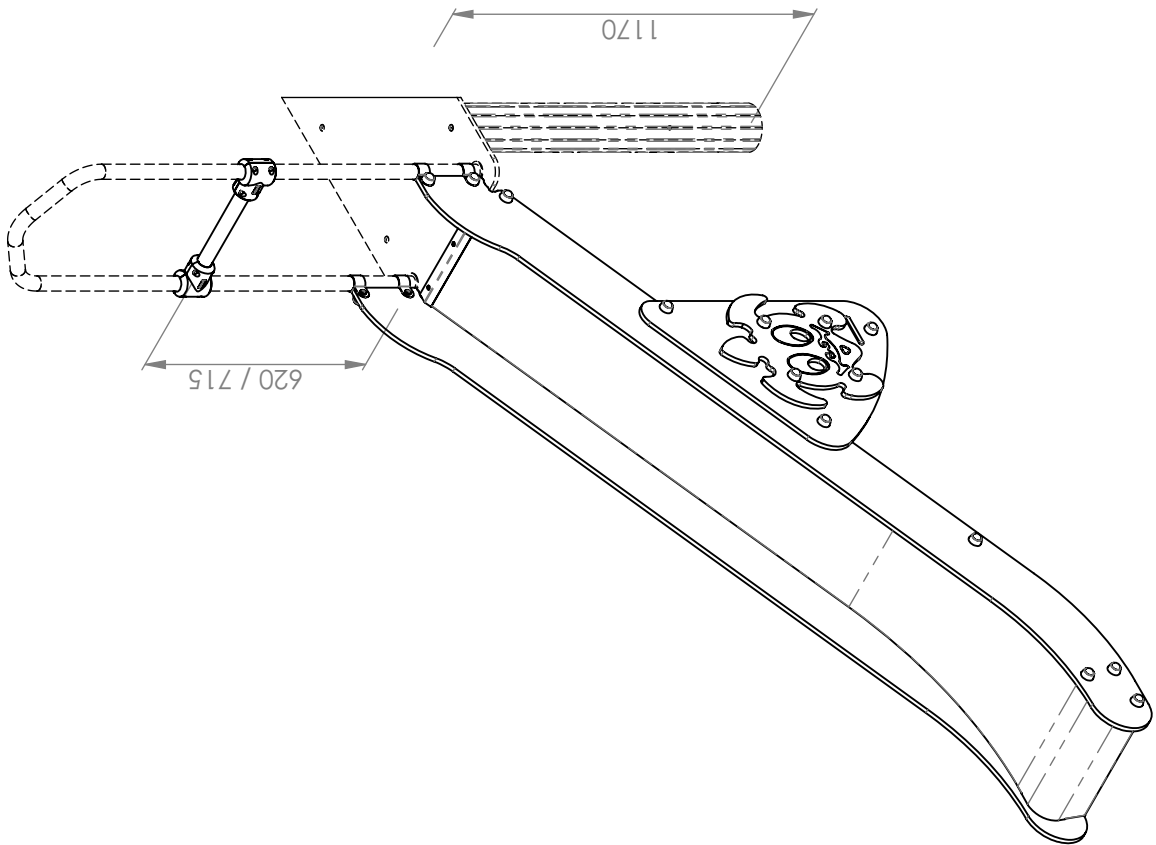
90 Kgs



50 Kgs



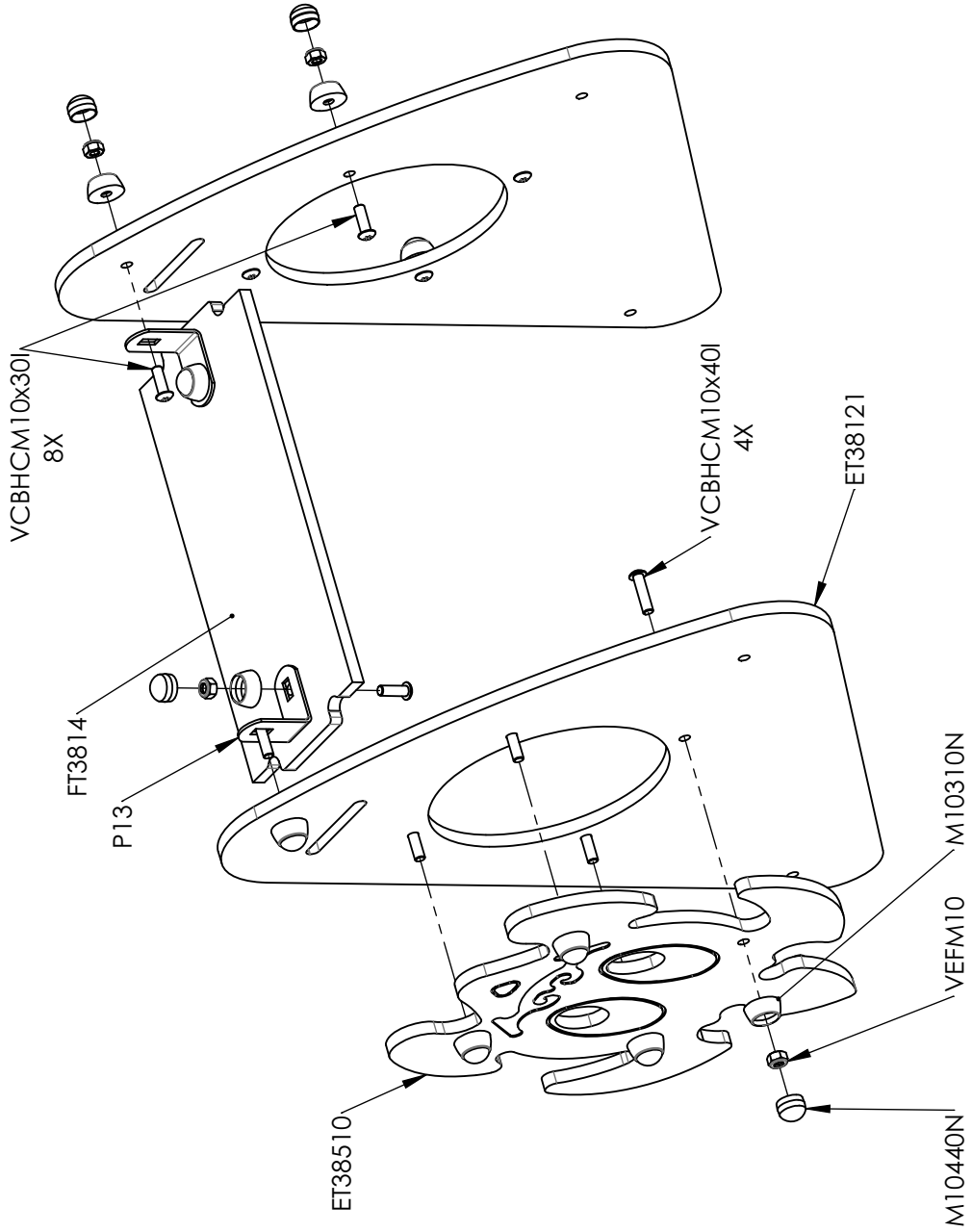
90 Kgs



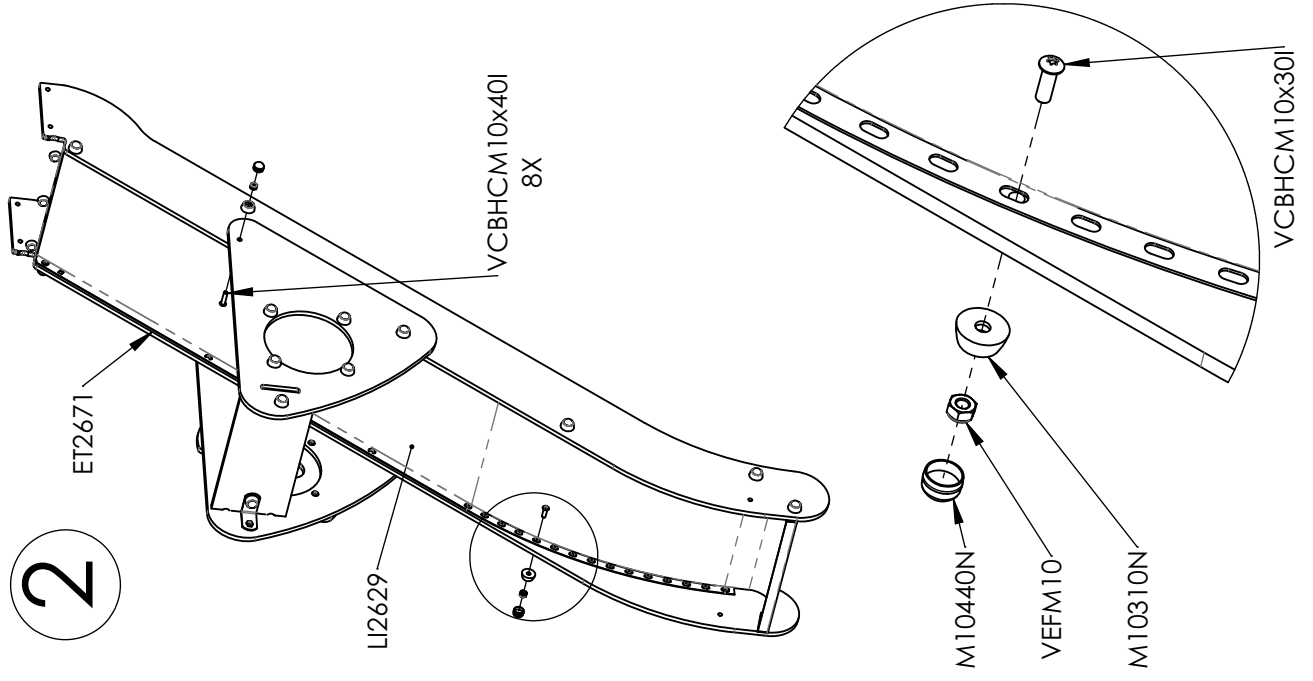
| Réf         | Qté |
|-------------|-----|
| LI2629      | 1   |
| VCBHC10x30I | 26  |
| VCBHC6x25I  | 8   |
| VCBHC10x40I | 4   |
| M10310N     | 30  |
| VEFM10      | 30  |
| VEFM5       | 3   |
| M10440N     | 30  |
| ET2671PL    | 2   |
| LI4505      | 4   |
| LI3838      | 1   |
| MI2502N     | 4   |
| VEBM6       | 8   |
| LI9204      | 1   |
| ET38121PL   | 2   |
| FT3814      | 1   |
| P13         | 2   |
| ET38510PV   | 1   |
| M8310N      | 3   |
| M8440N      | 3   |
| VFHC5x30    | 3   |
| VR6x18      | 3   |

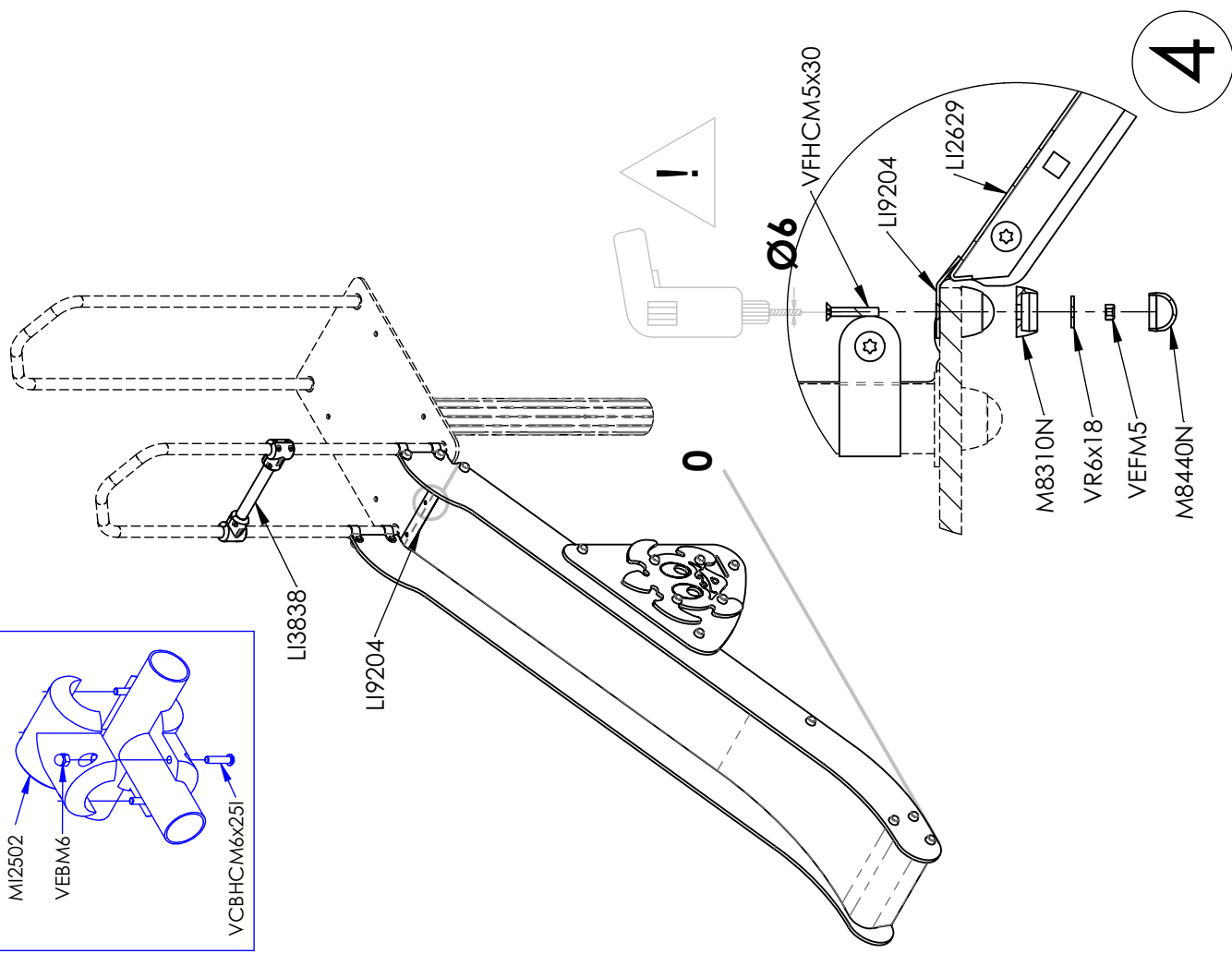
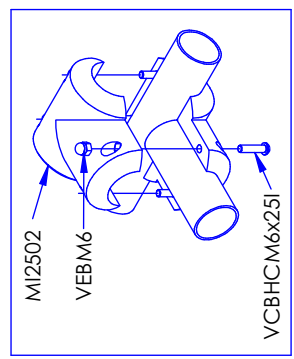
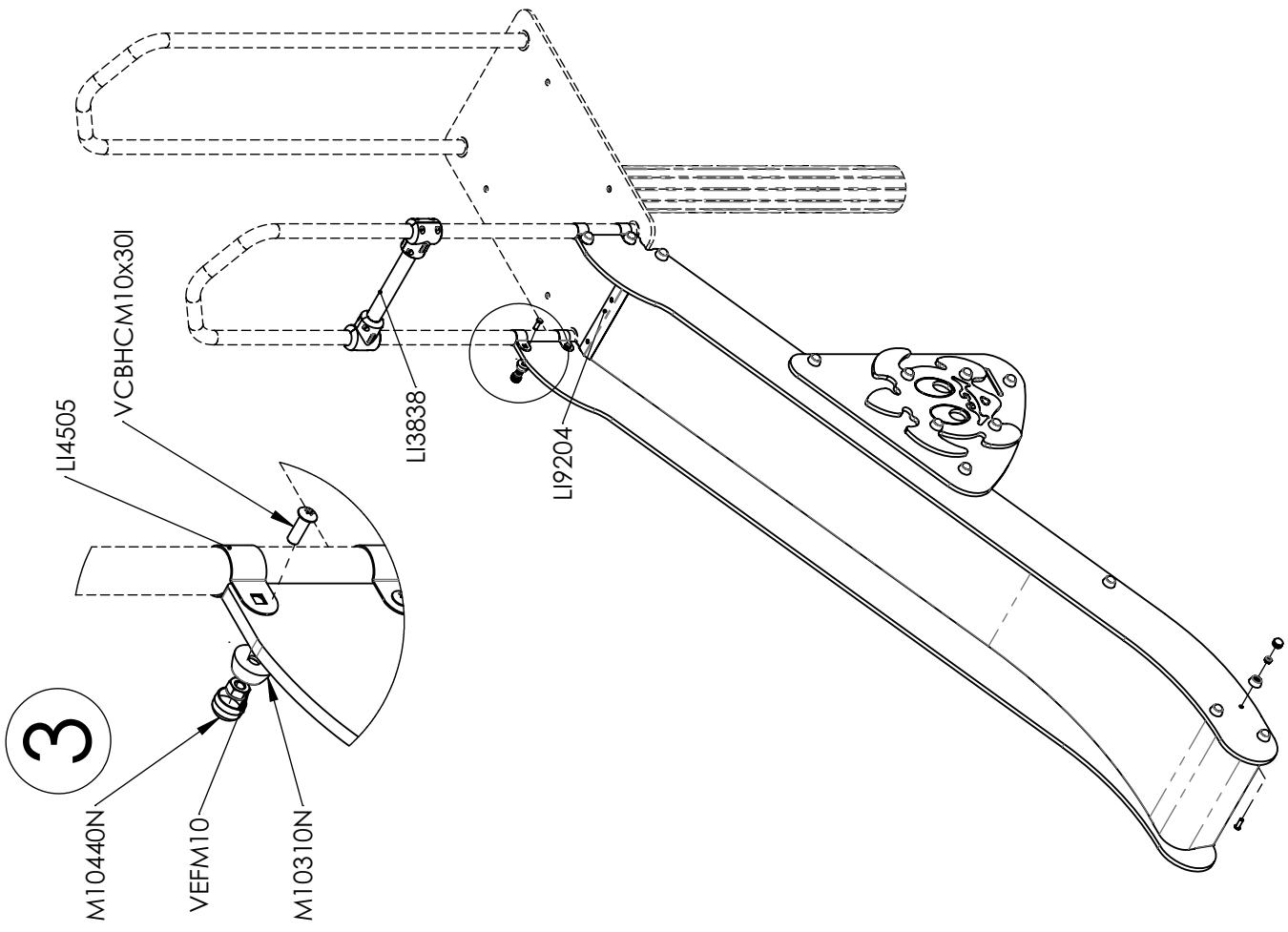


1

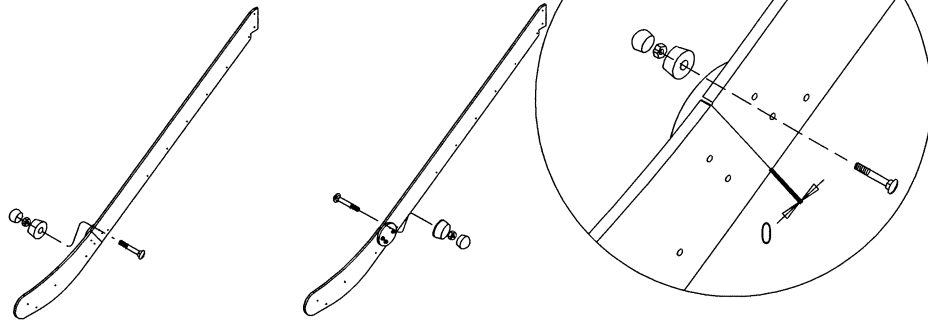


2

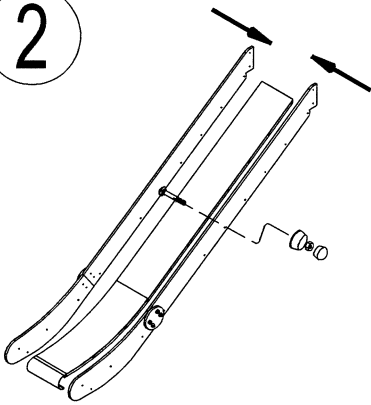




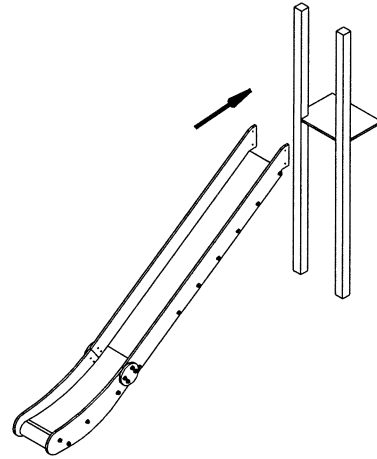
1



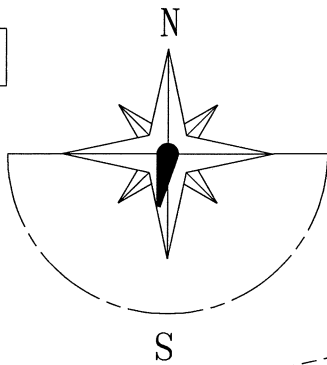
2



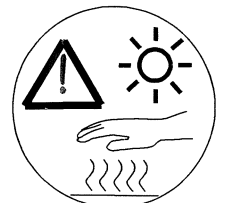
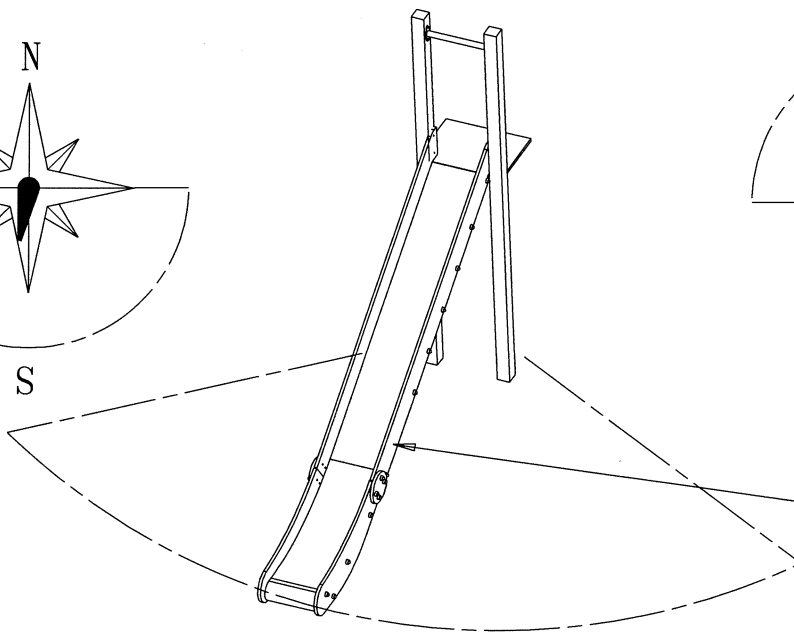
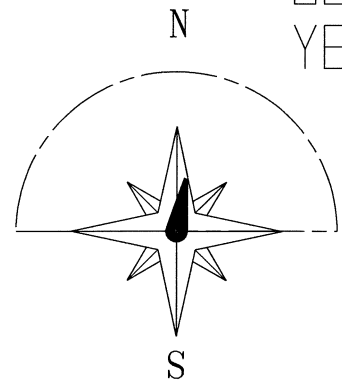
3



NON  
NO



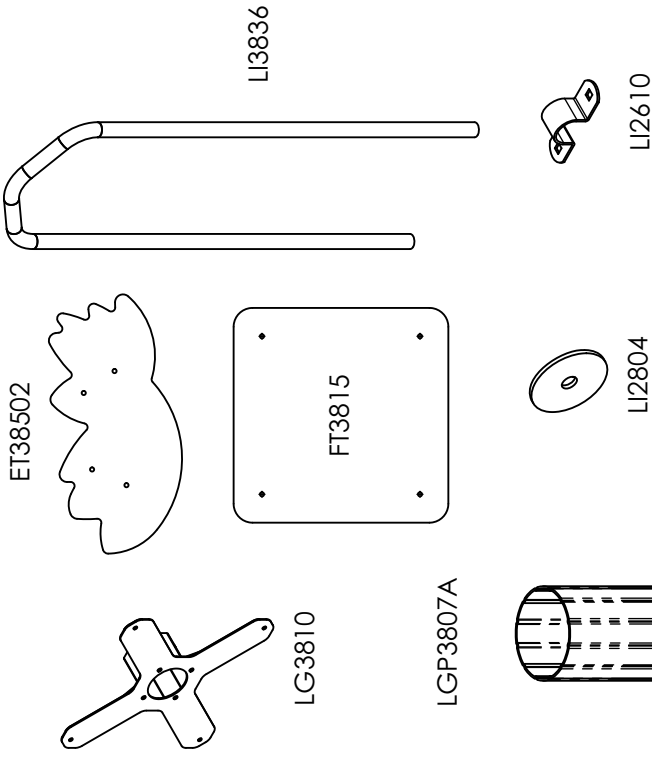
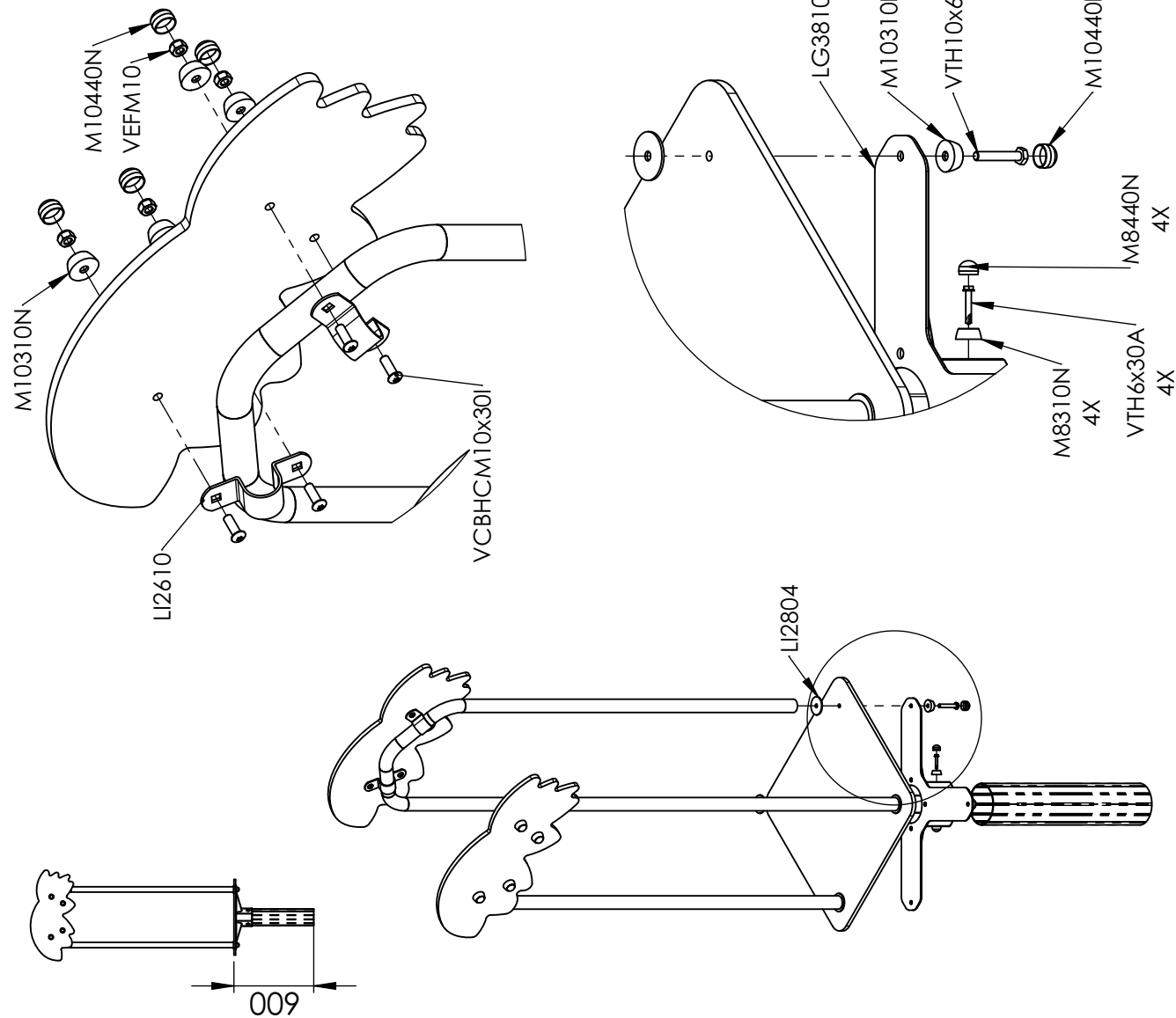
OUI  
YES



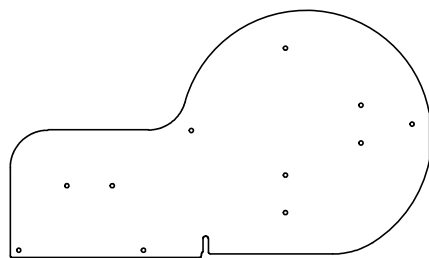
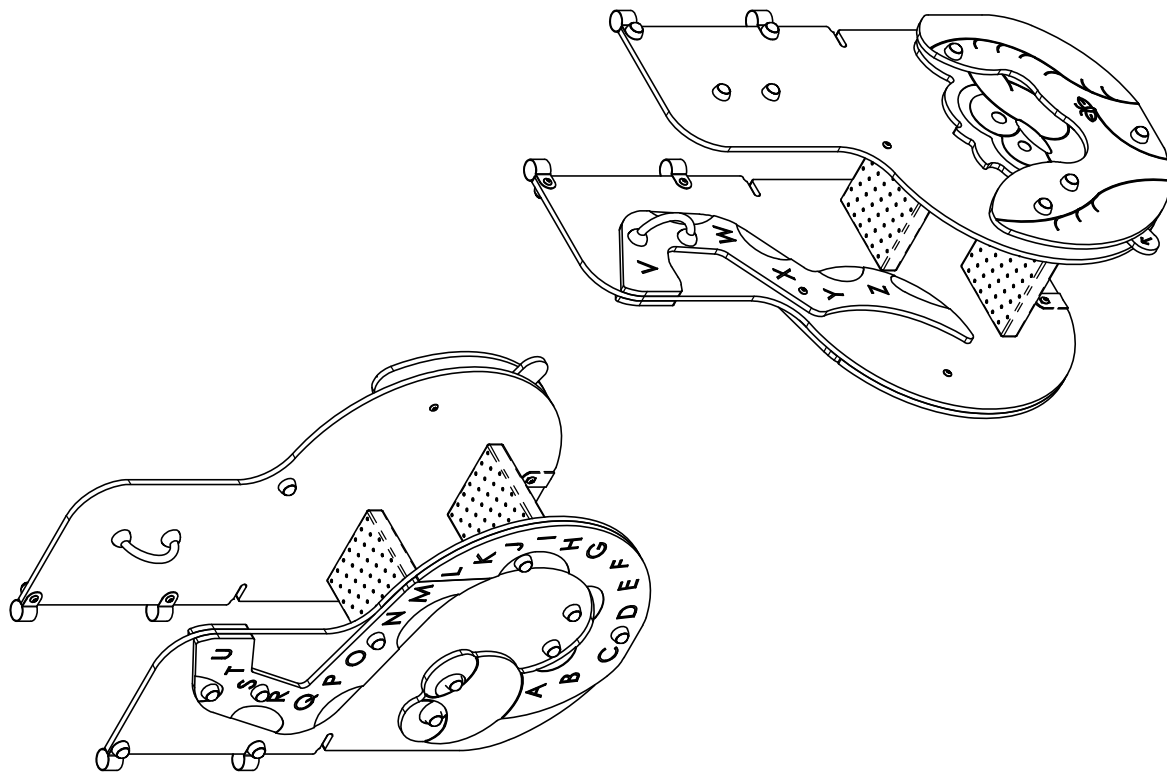
STOBG

FR

Il est recommandé de ne pas orienter la glissière Sud / Sud Ouest



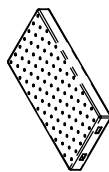
| Réf          | Qté |
|--------------|-----|
| ET38502PV    | 2   |
| FT3815       | 1   |
| LG3810       | 1   |
| LGP3807A     | 1   |
| LI2610       | 4   |
| LI2804       | 4   |
| LI3836       | 2   |
| M8310N       | 4   |
| M8440N       | 4   |
| M10310N      | 12  |
| M10440N      | 12  |
| VCBHCM10x30I | 8   |
| VEFM10       | 8   |
| VTH6x30A     | 4   |
| VTH10x60     | 4   |



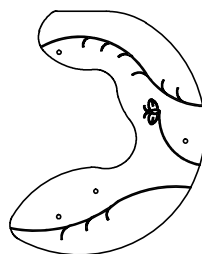
ET38122



ET38517



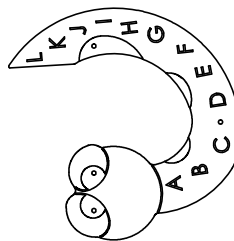
LA3305



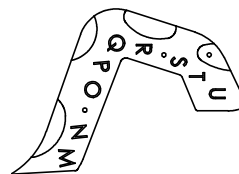
ET38518



ET38516



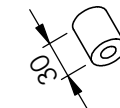
ET38514



ET38515



LI4505



MU3908

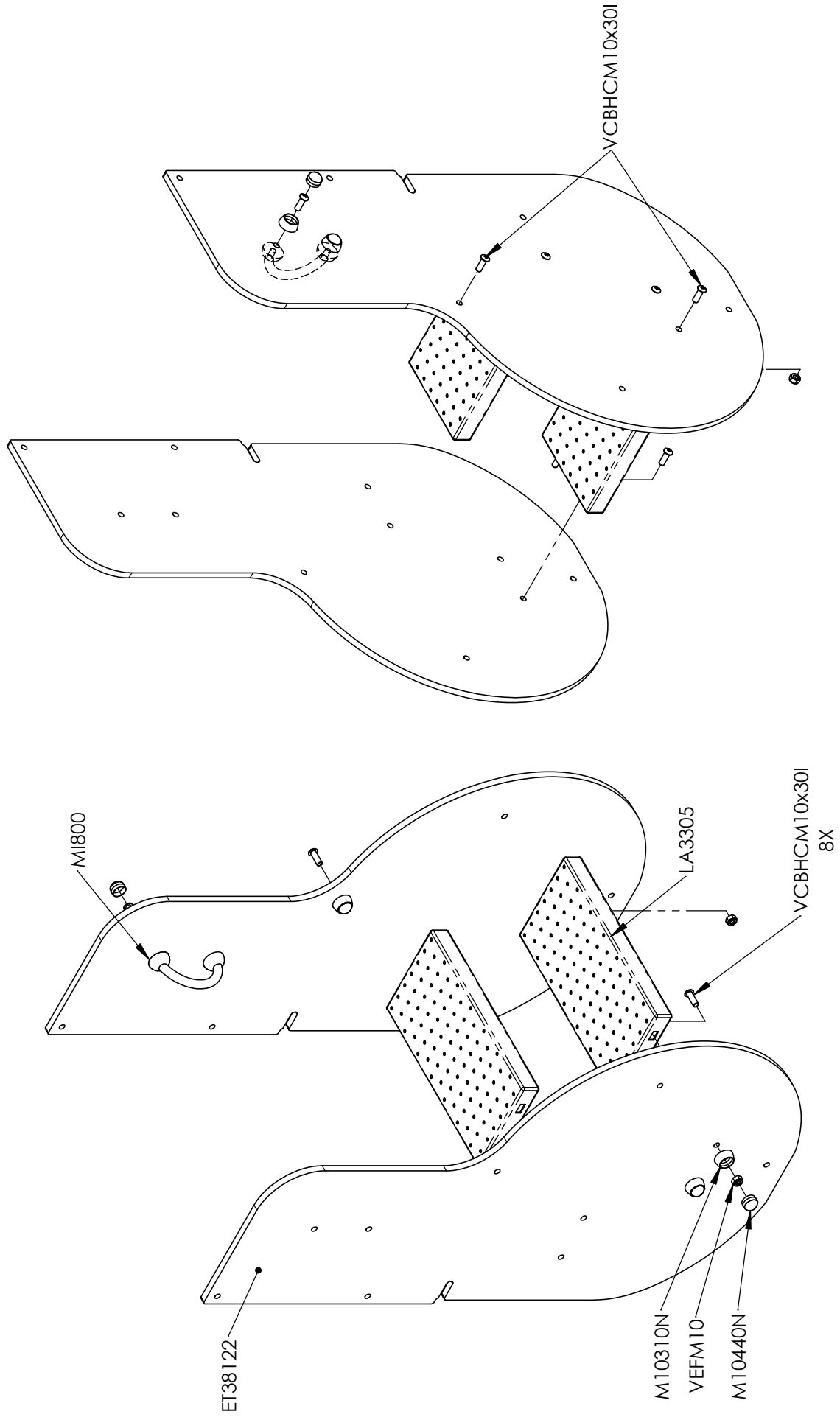


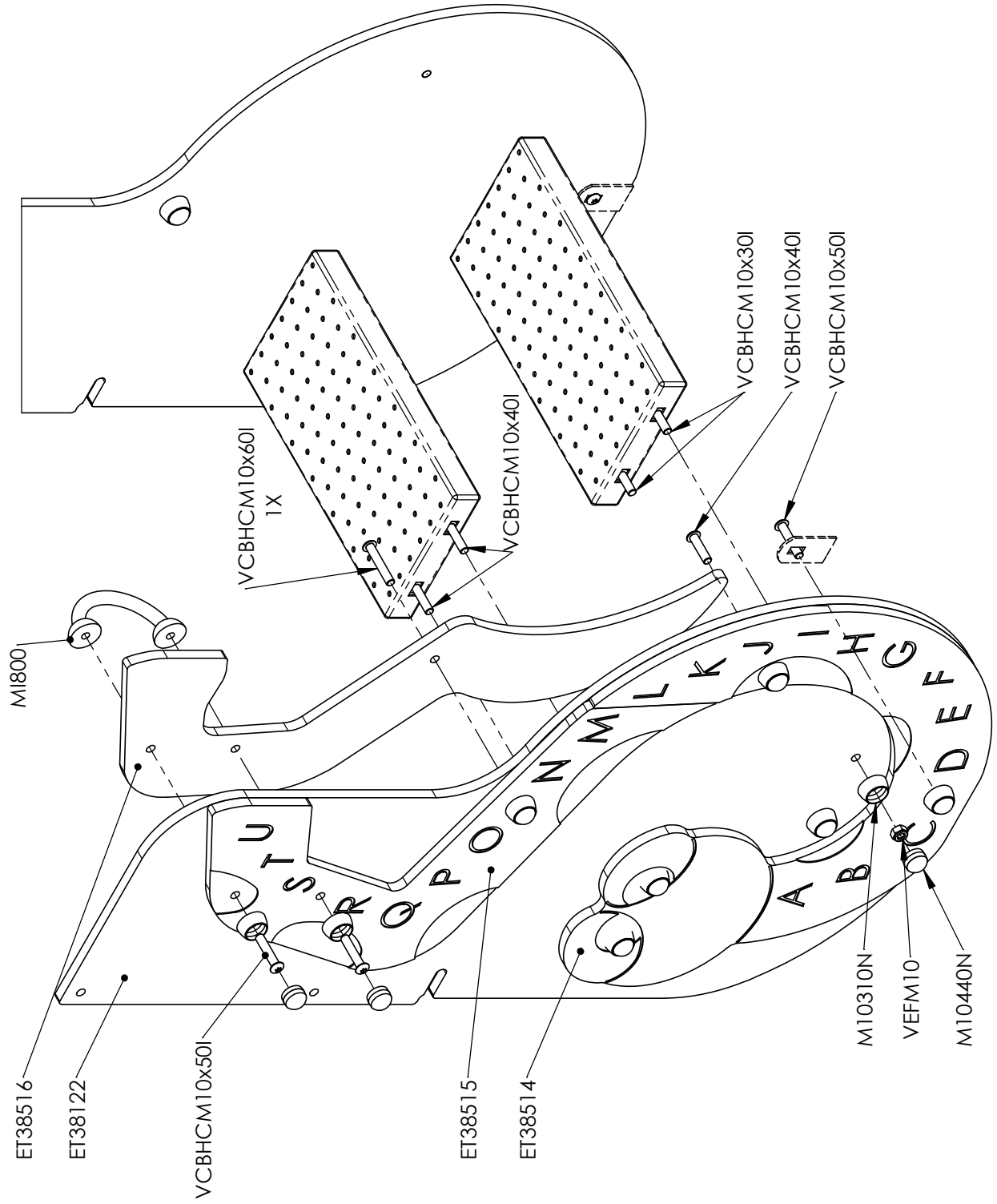
LI47102

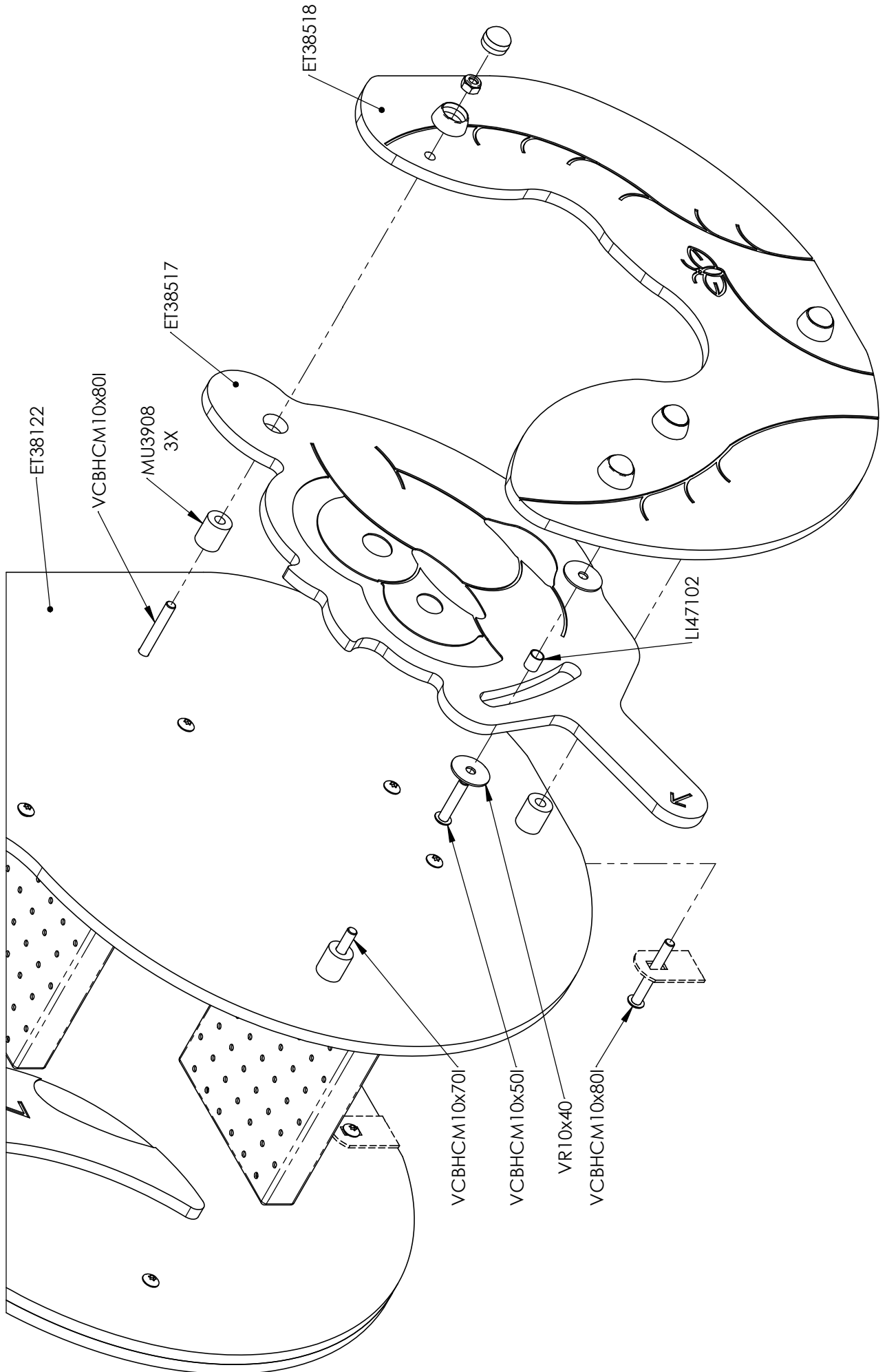


MI800

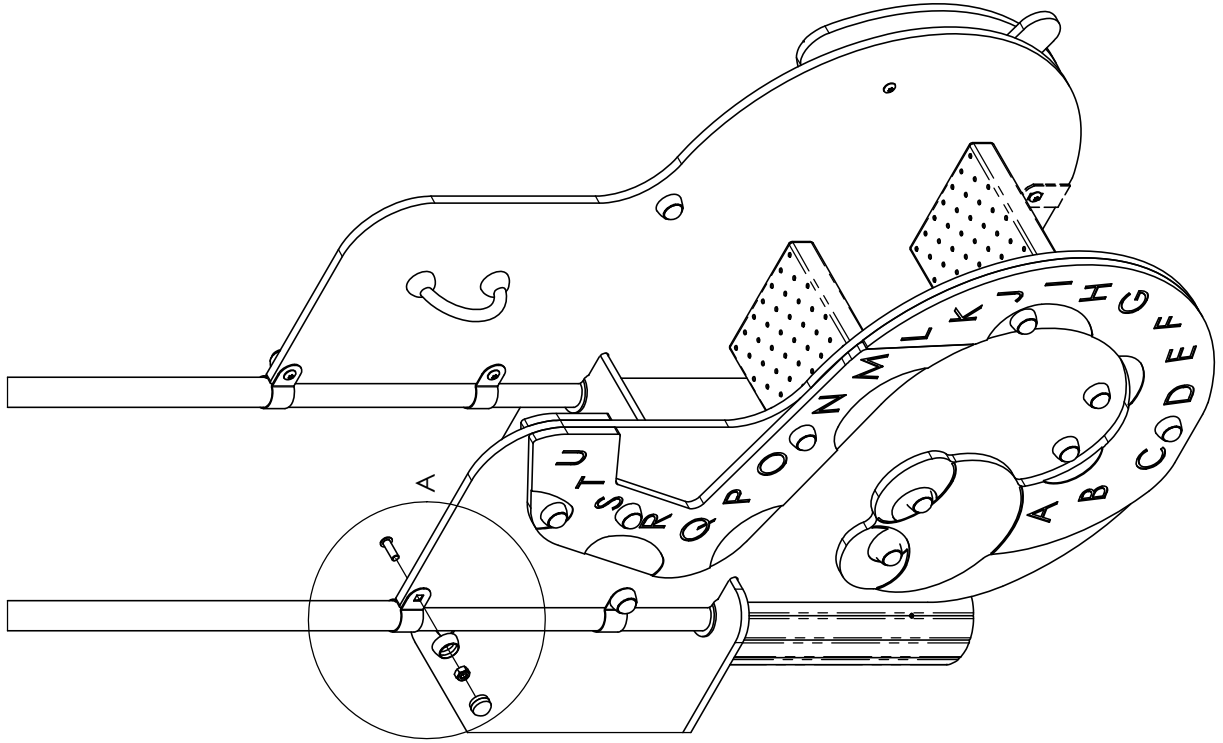
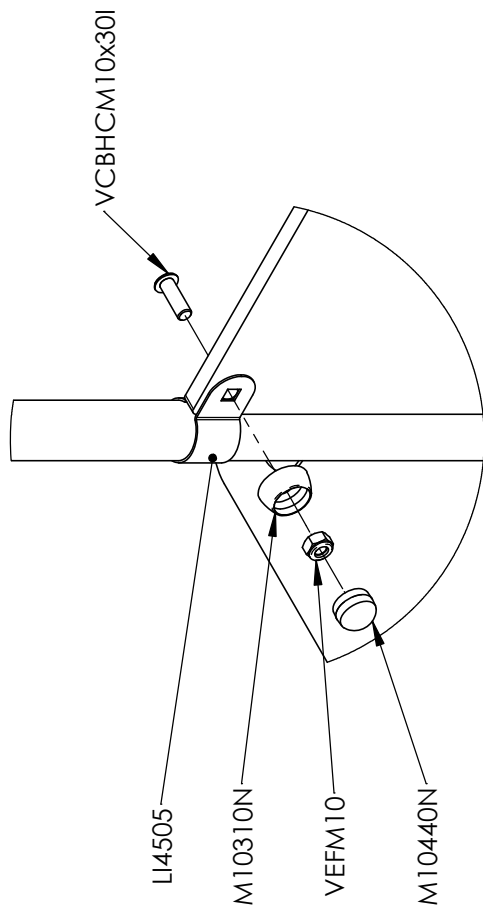
| Réf         | Qté |
|-------------|-----|
| ET38122PL   | 2   |
| ET38514PV   | 1   |
| ET38515PV   | 1   |
| ET38516PV   | 1   |
| ET38517J    | 1   |
| ET38518PV   | 1   |
| LA3305      | 2   |
| LI4505      | 4   |
| LI47102     | 1   |
| M10310N     | 20  |
| M10440N     | 20  |
| MI800       | 2   |
| MU3908      | 3   |
| VCBHC10x30I | 12  |
| VCBHC10x40I | 3   |
| VCBHC10x50I | 4   |
| VCBHC10x70I | 1   |
| VCBHC10x80I | 2   |
| VEFM10      | 19  |
| VR10x40     | 2   |
| VCBHC10x60I | 1   |

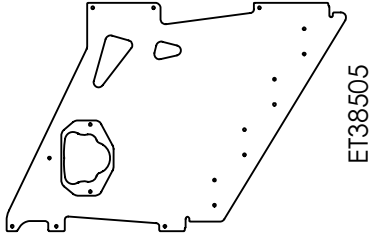
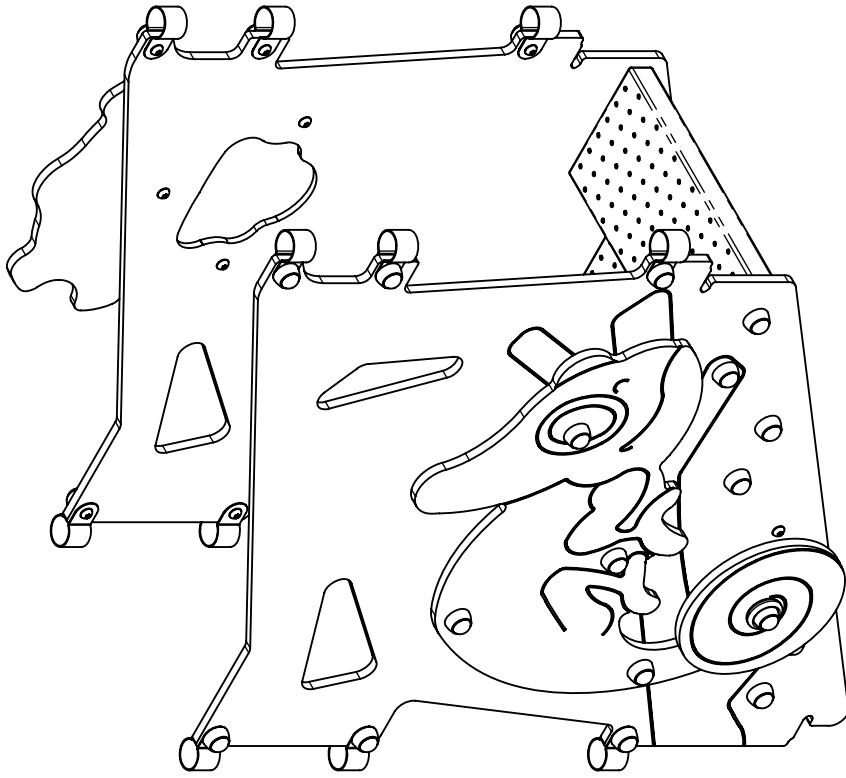




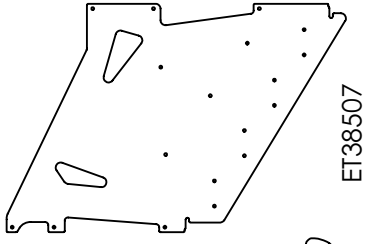




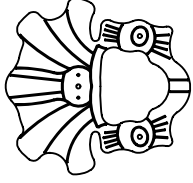




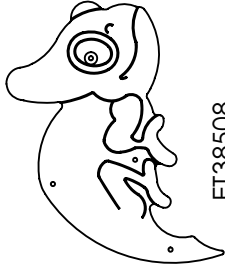
ET38505



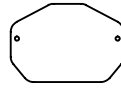
ET38507



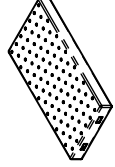
ET38506



ET38508



EM38501



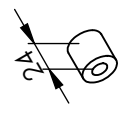
LA3305



MI810N

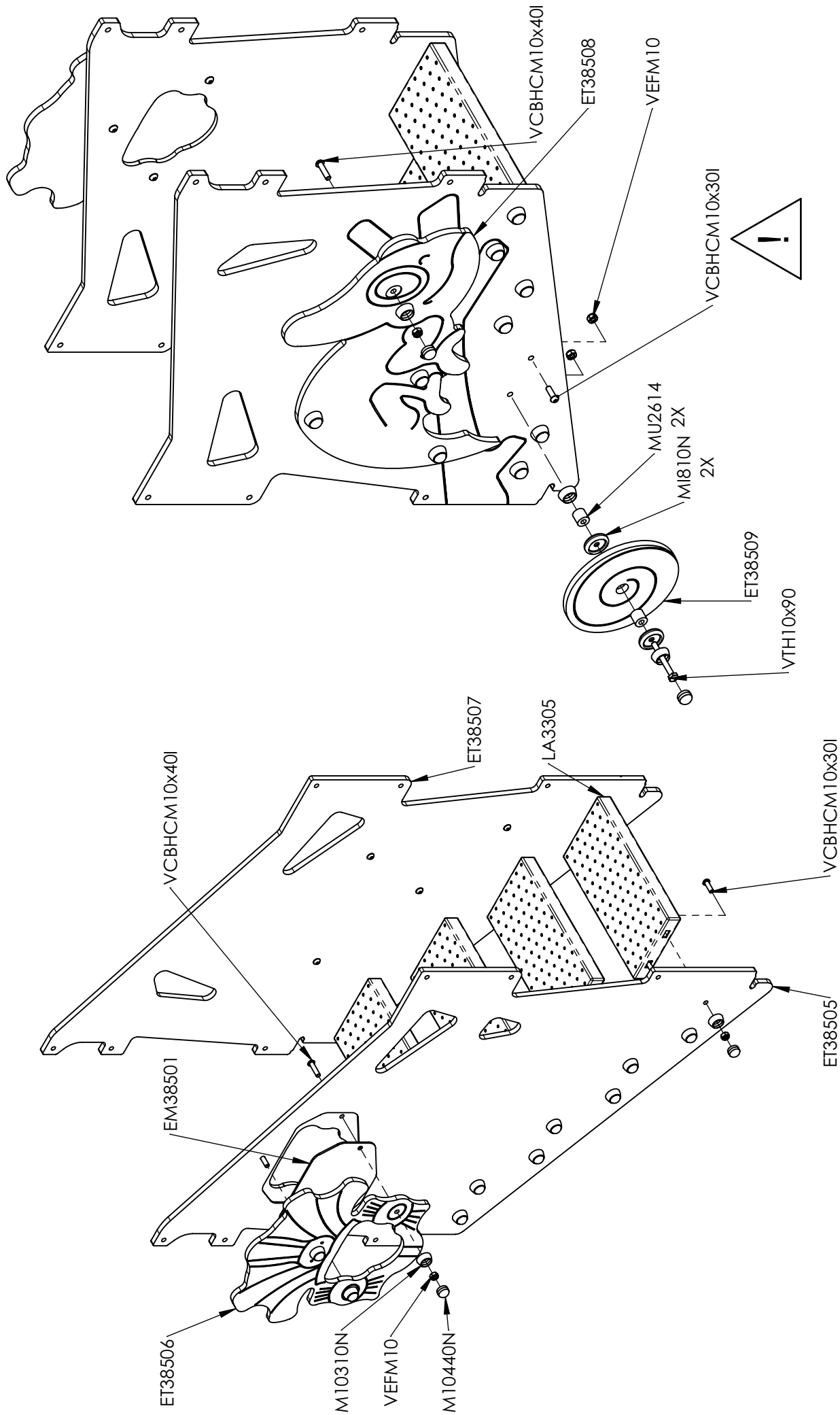


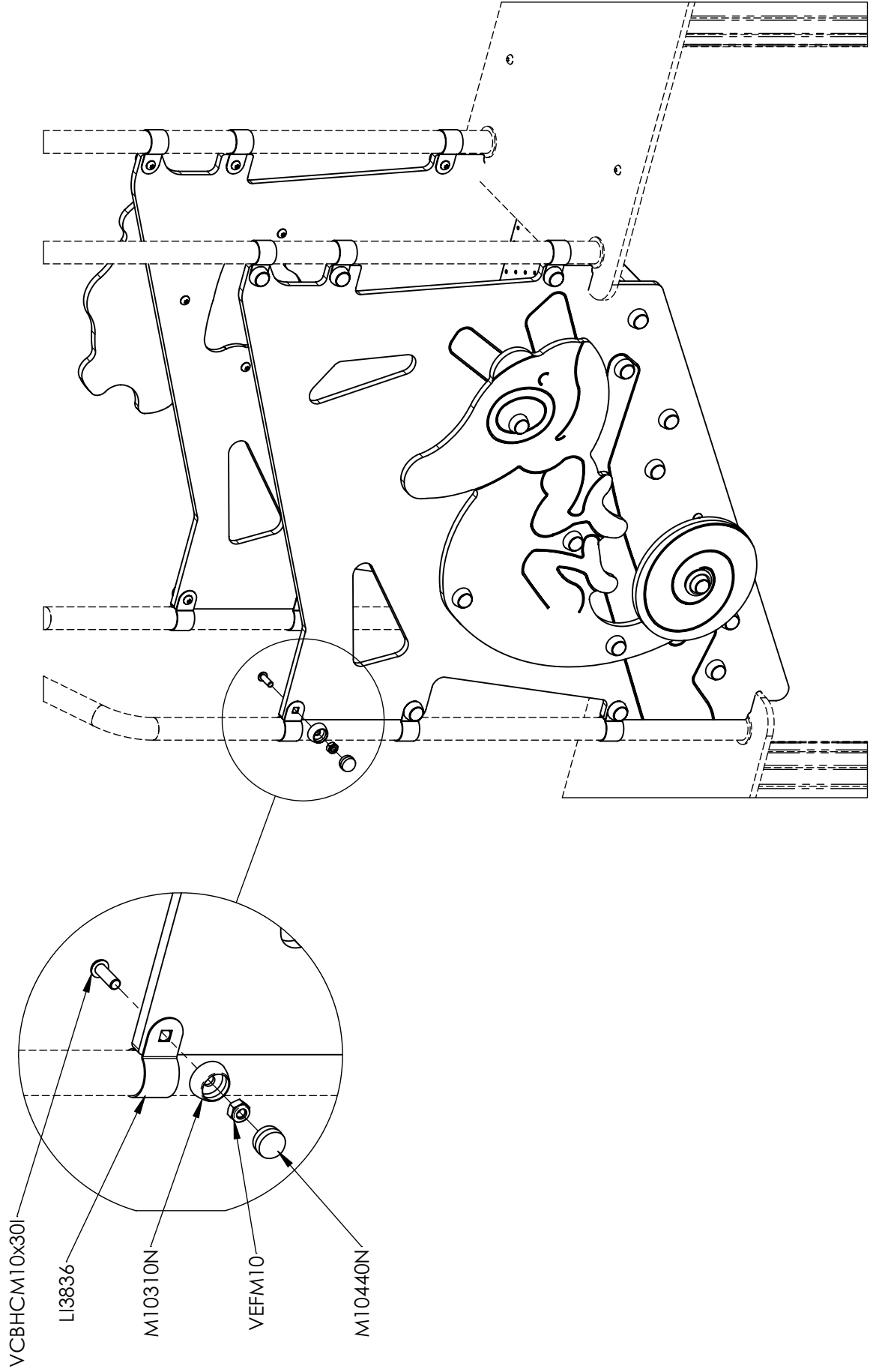
MU2614

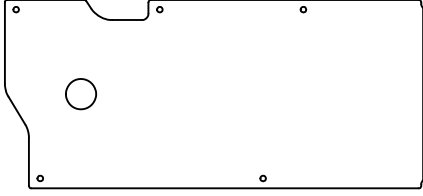
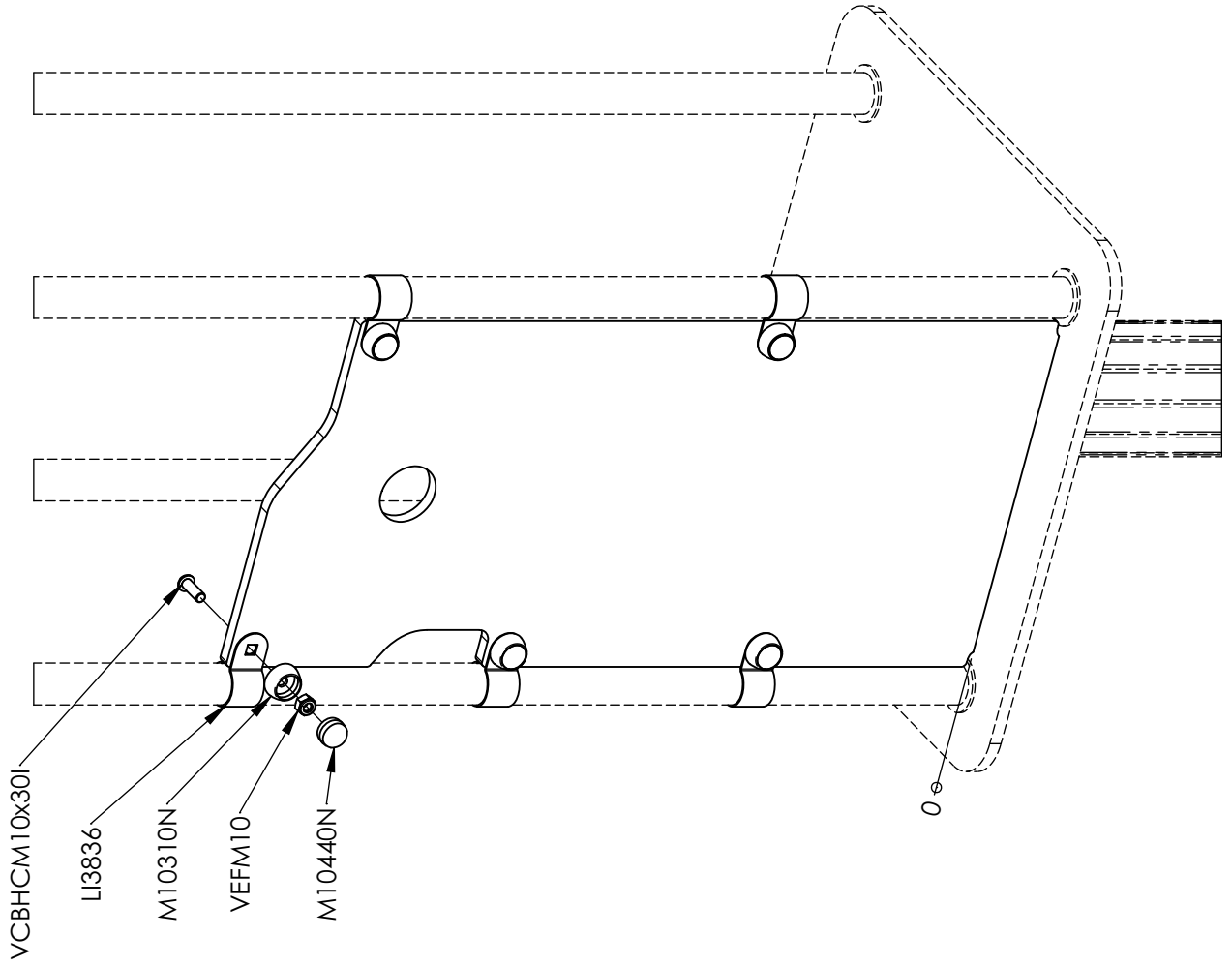


LI4505

| Réf           | Qté |
|---------------|-----|
| EM38501       | 1   |
| ET38505CH     | 1   |
| ET38506CH     | 1   |
| ET38507CH     | 1   |
| ET38508PV     | 1   |
| ET38509PV     | 1   |
| LA3305        | 4   |
| LI4505        | 12  |
| M10310N       | 35  |
| M10440N       | 34  |
| MI810N        | 2   |
| MU2614        | 2   |
| VCBHC M10x30I | 27  |
| VCBHC M10x40I | 7   |
| VEFM10        | 35  |
| VTH10x90      | 1   |





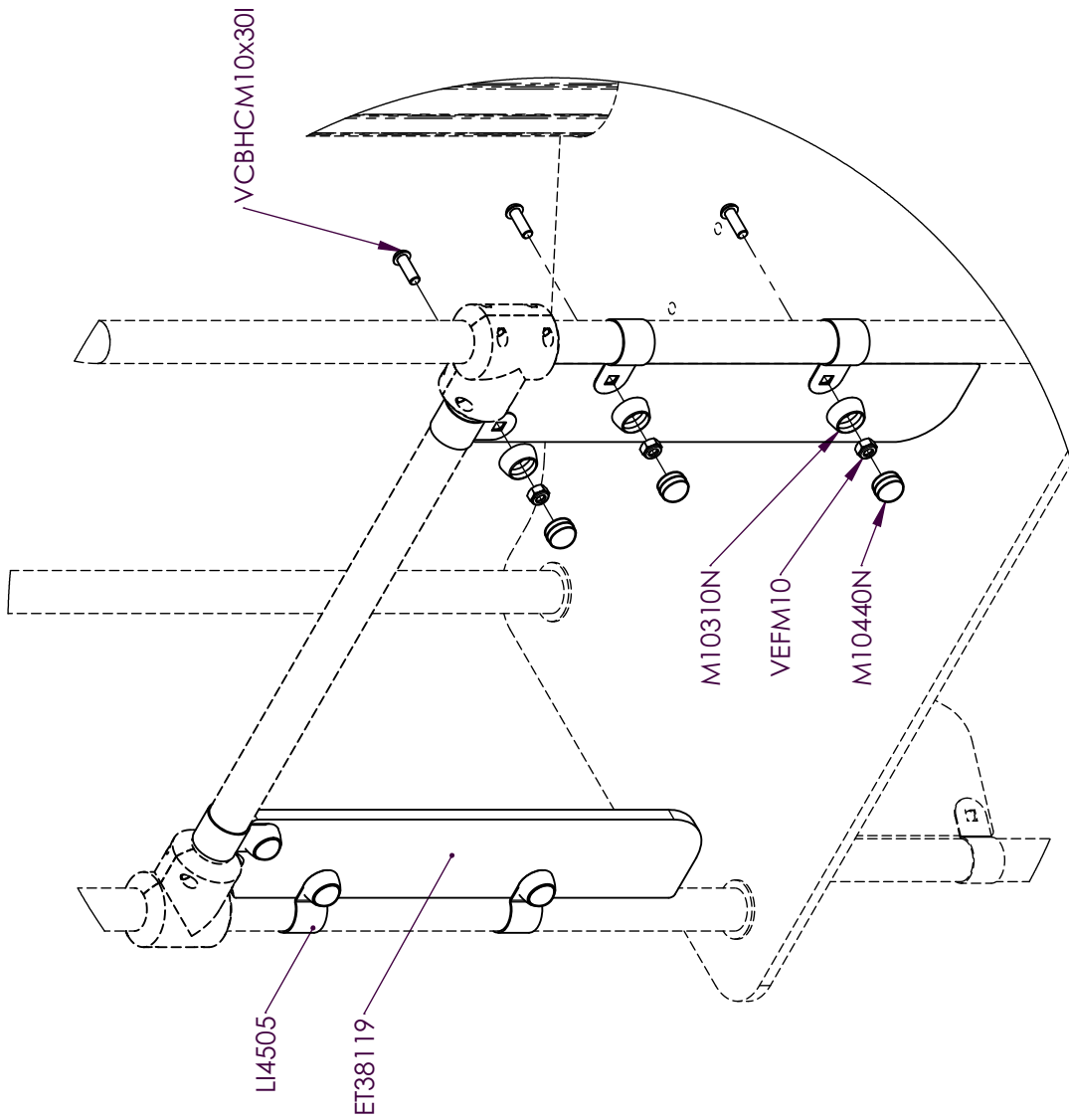


ET38123



LI4505

| Réf          | Qté |
|--------------|-----|
| ET38123PL    | 1   |
| LI4505       | 5   |
| M10310N      | 5   |
| M10440N      | 5   |
| VCBHCM10x30I | 5   |
| VEFM10       | 5   |

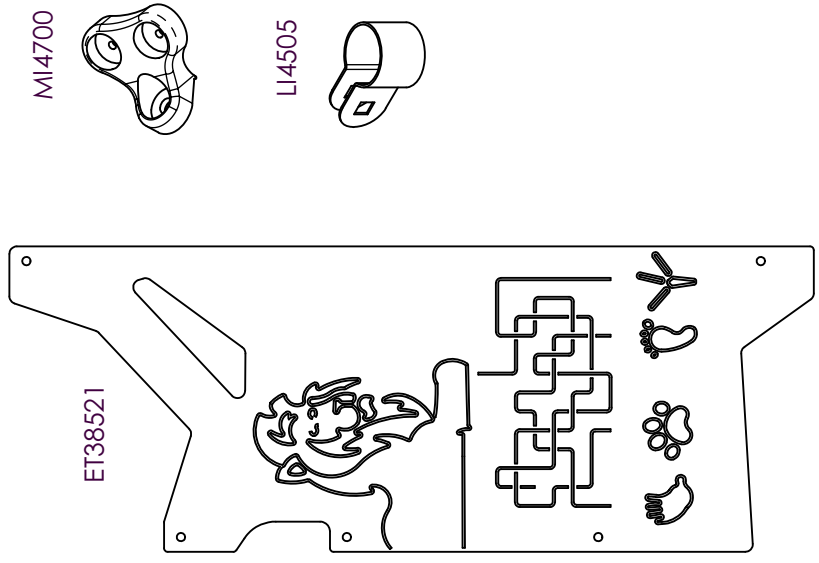
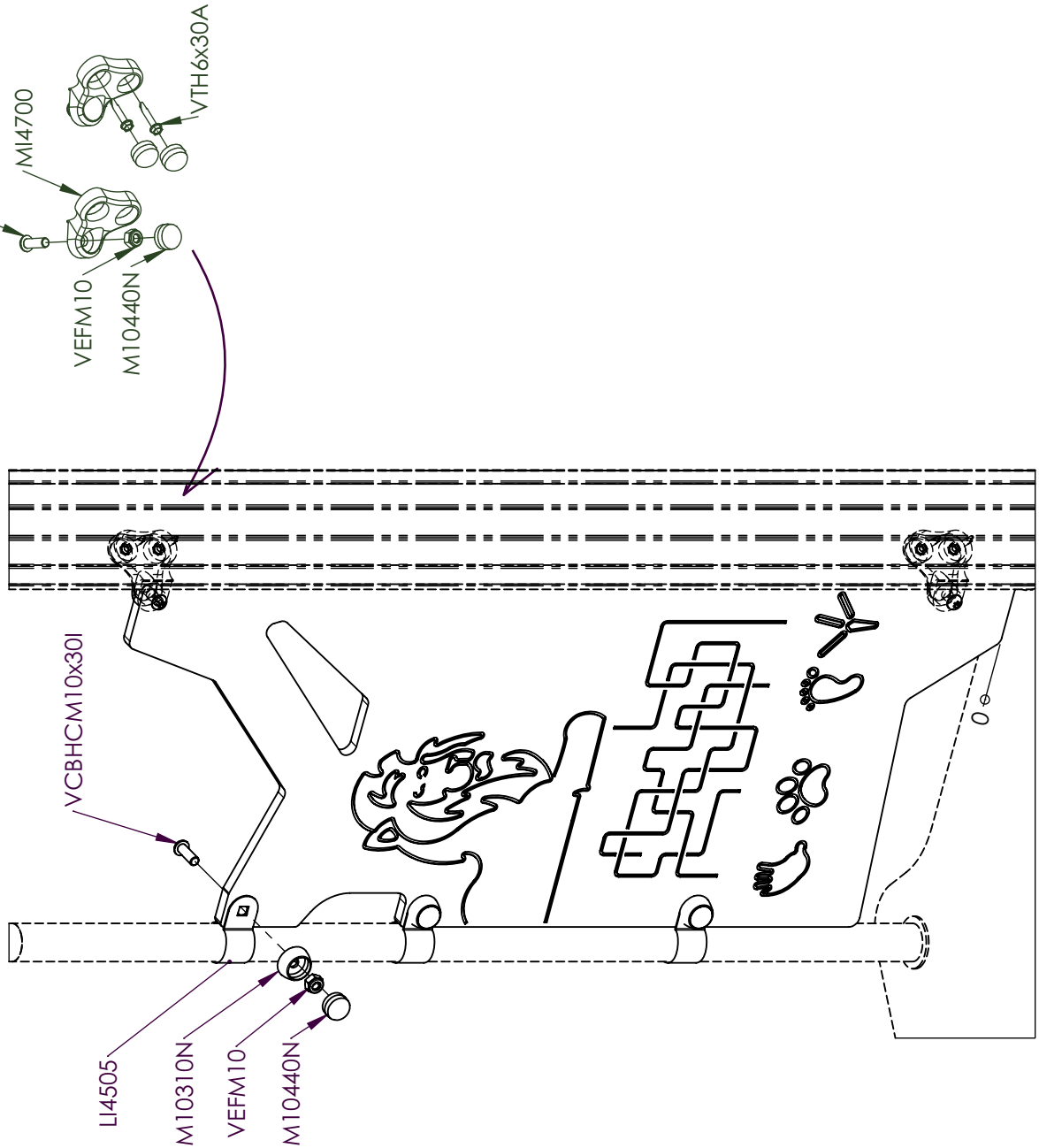


ET38119

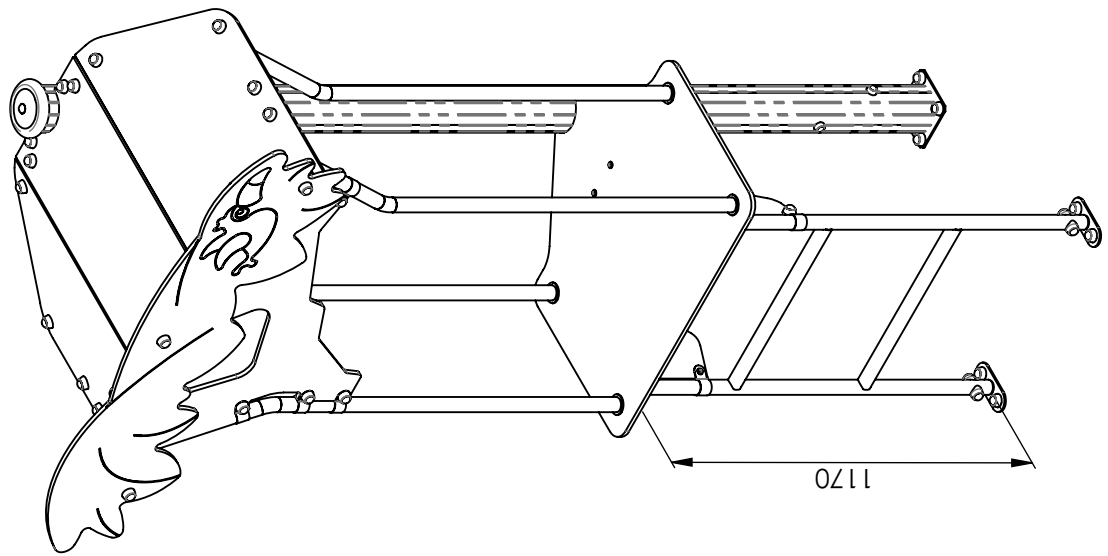
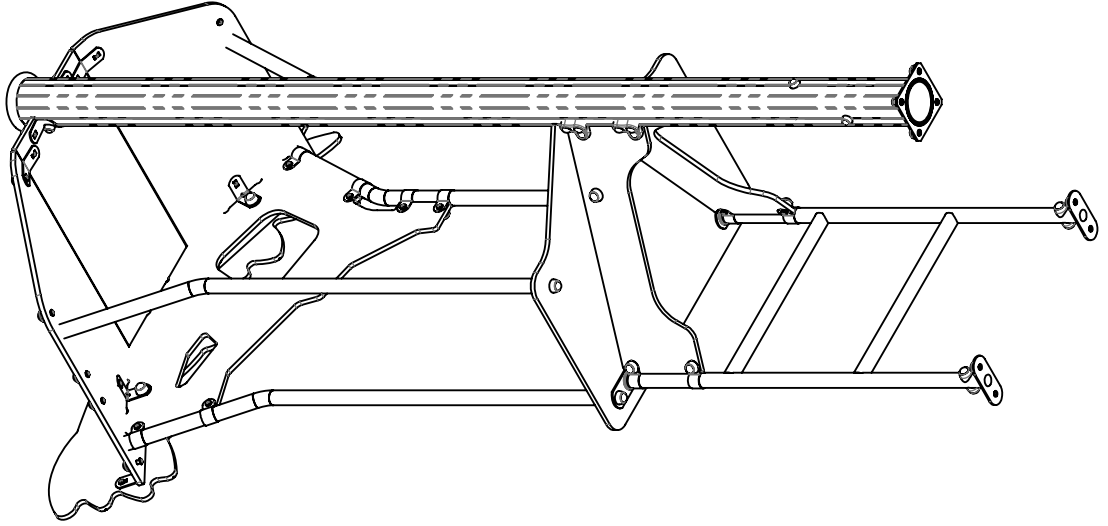


LI4505

| Réf          | Qté |
|--------------|-----|
| ET38119PL    | 2   |
| LI4505       | 6   |
| M10310N      | 6   |
| M10440N      | 6   |
| VCBHCM10x30I | 6   |
| VEFM10       | 6   |



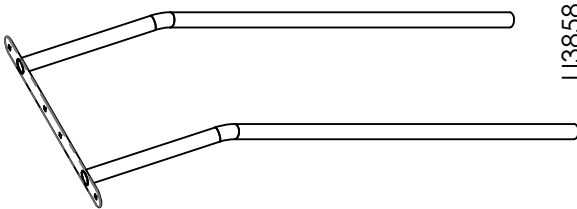
| Réf          | Qté |
|--------------|-----|
| ET38521CH    | 1   |
| LI4505       | 3   |
| M10310N      | 3   |
| M10440N      | 9   |
| MI4700       | 2   |
| VCBHCM10x30I | 5   |
| VEFM10       | 5   |
| VTH6x30A     | 4   |



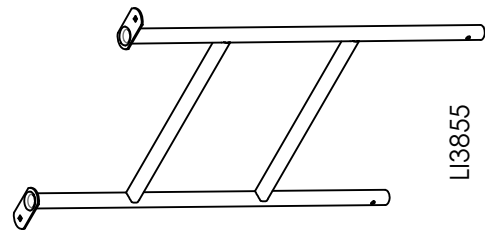




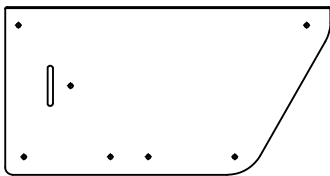
LGP3806A



LI3858



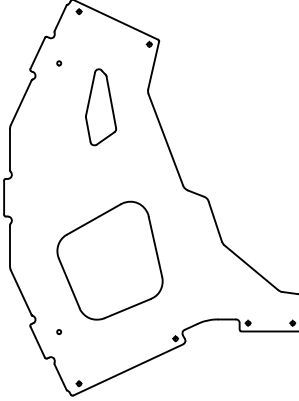
LI3855



ET38325



ET38300



ET38523



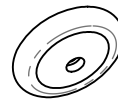
P13



LI2804



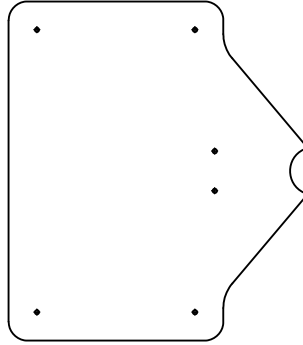
LI4505



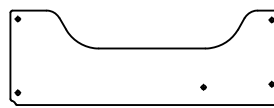
MI025N



P150



FT3833



ET3832



LP3800N

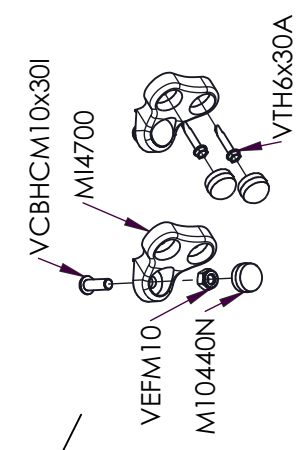
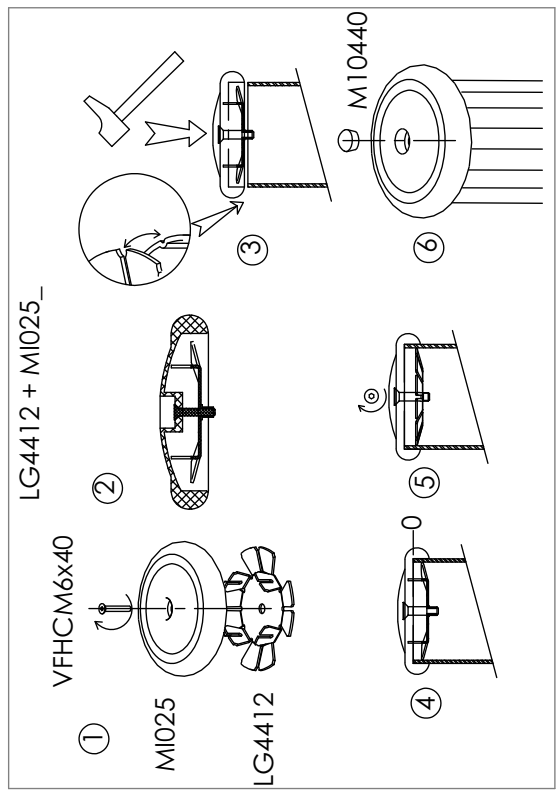
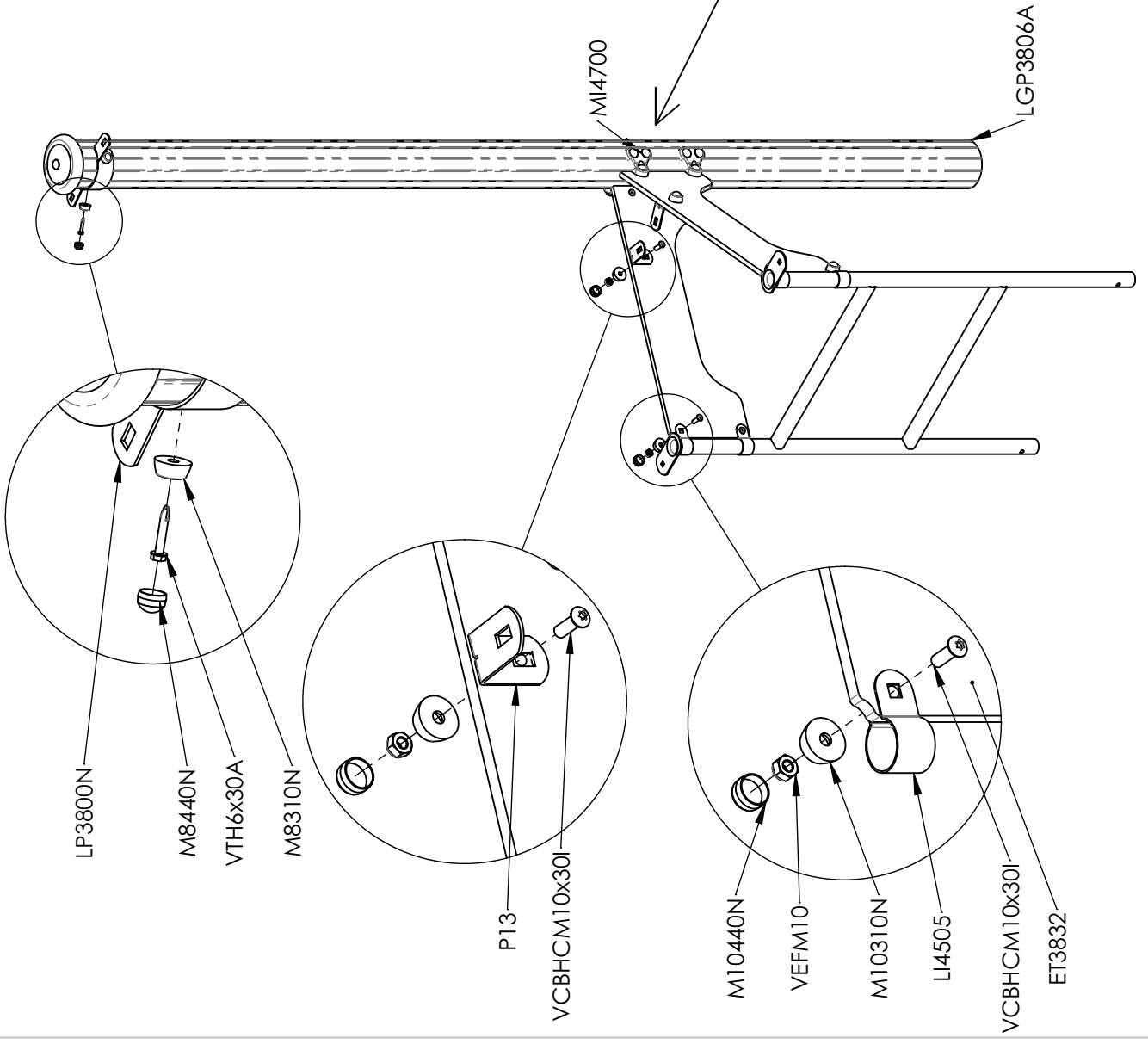


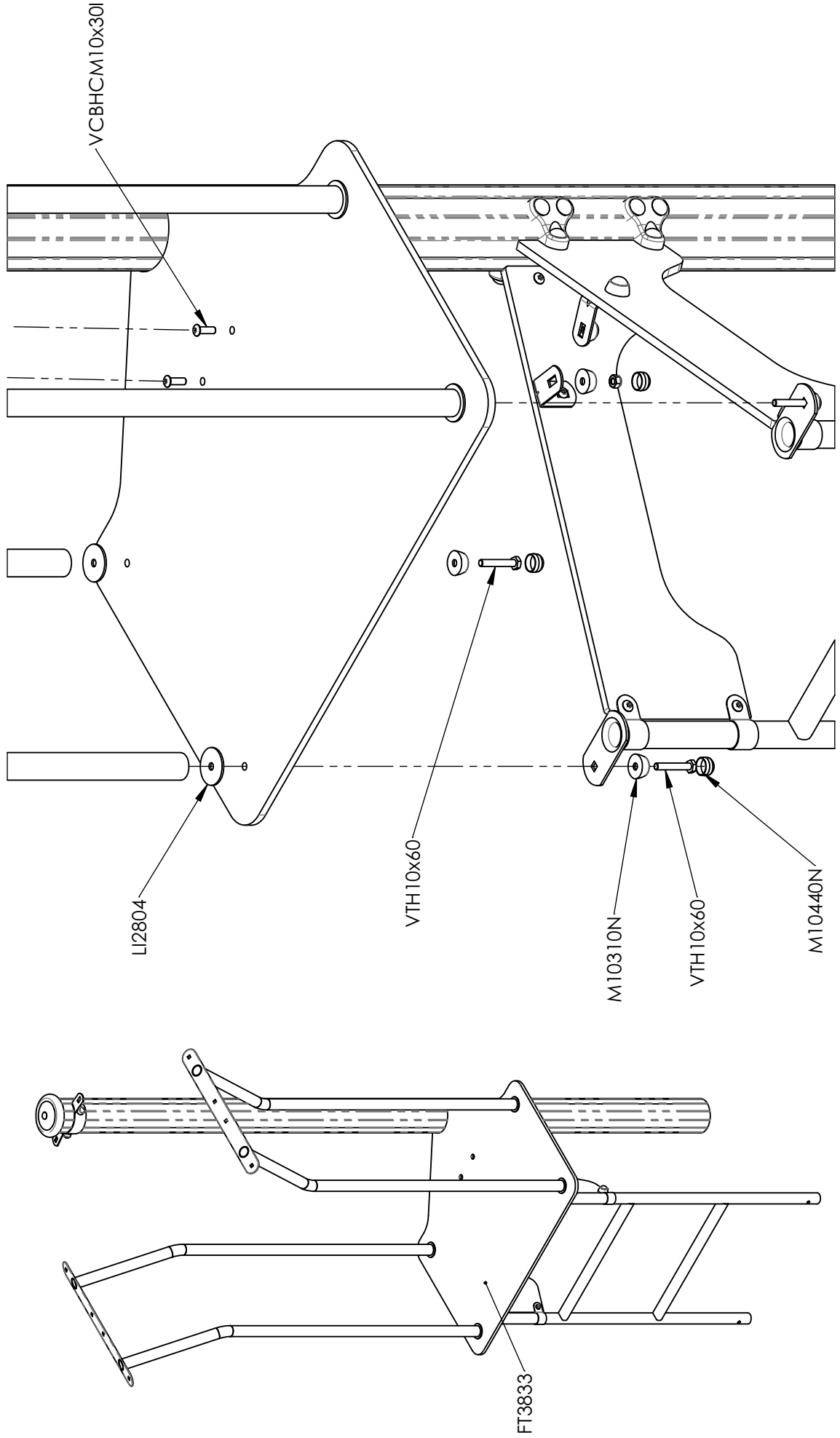
MI4700

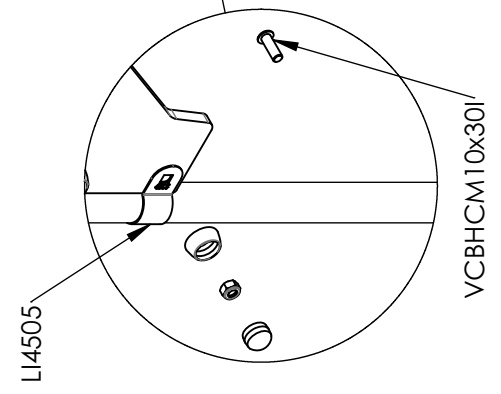
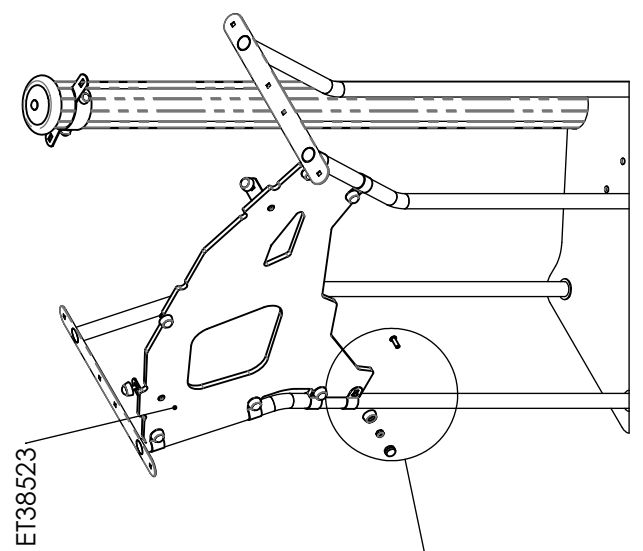
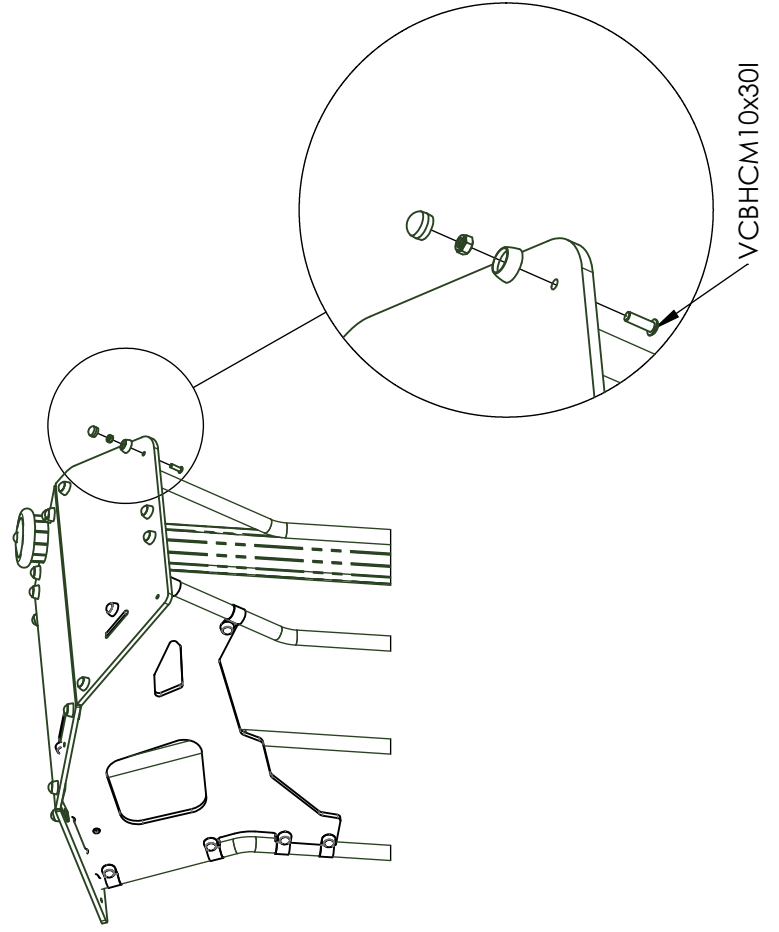
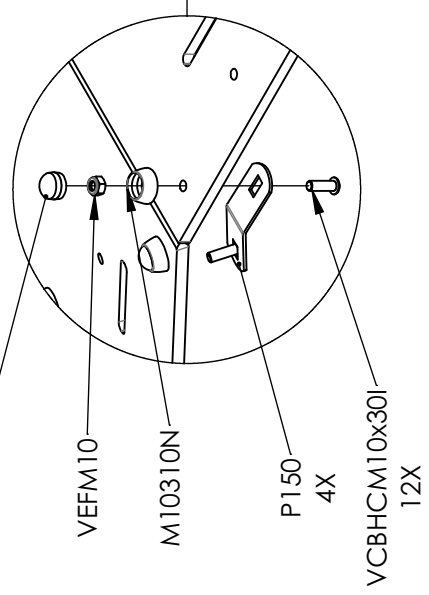
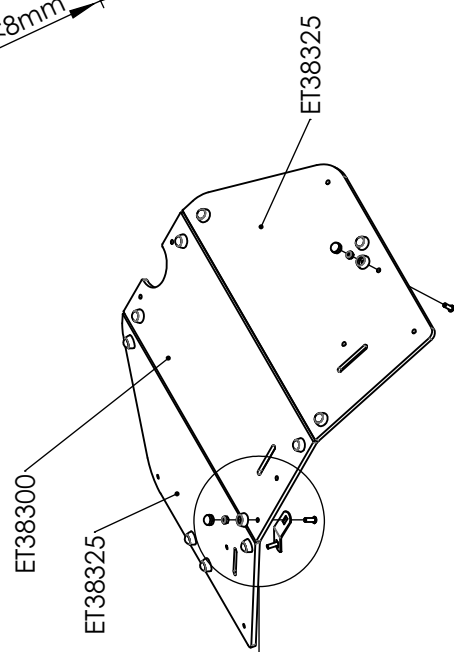
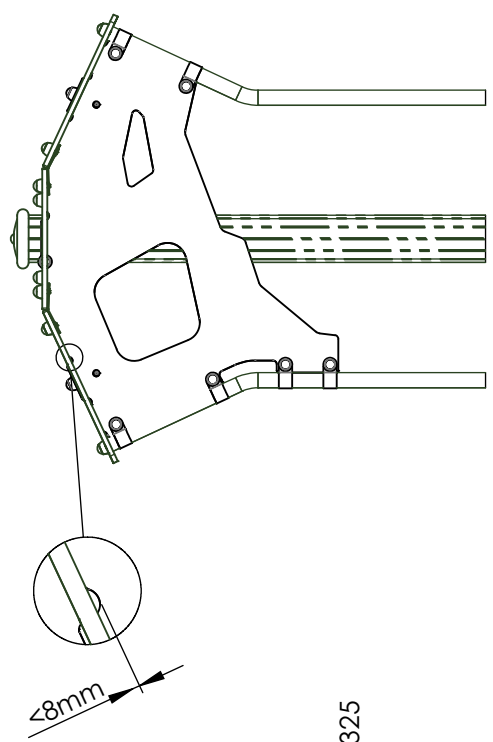


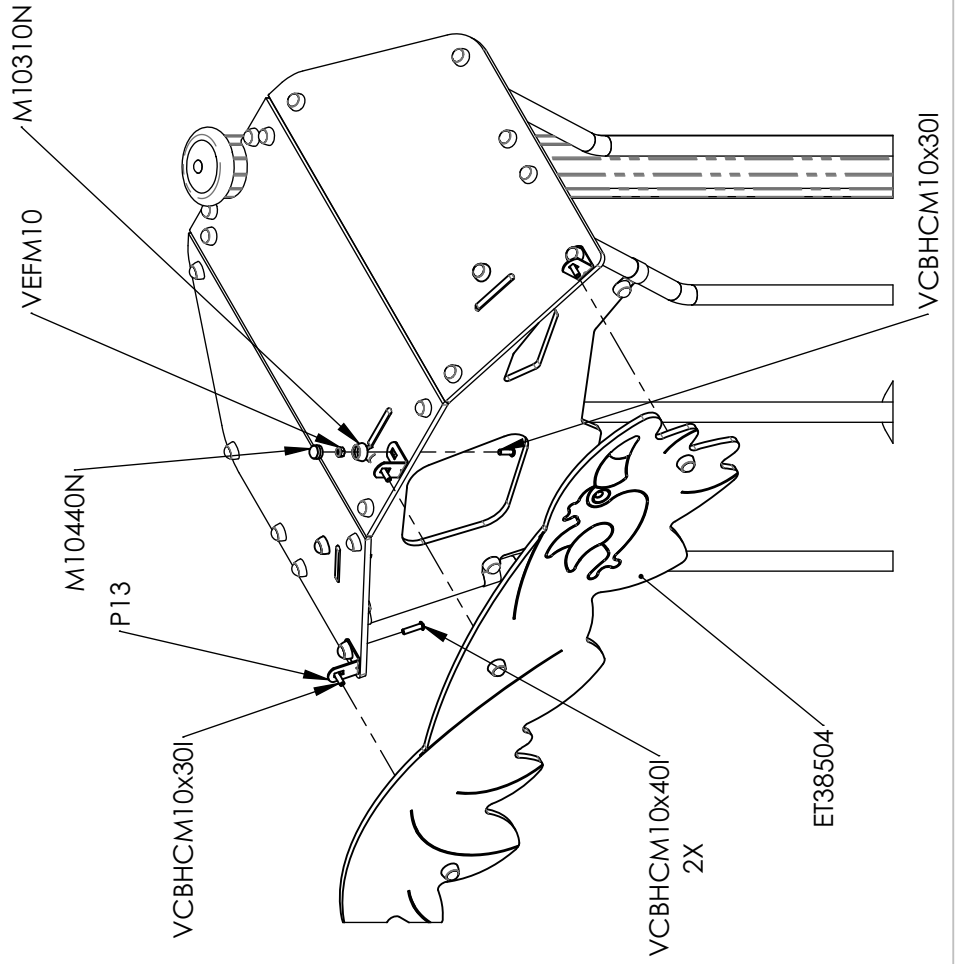
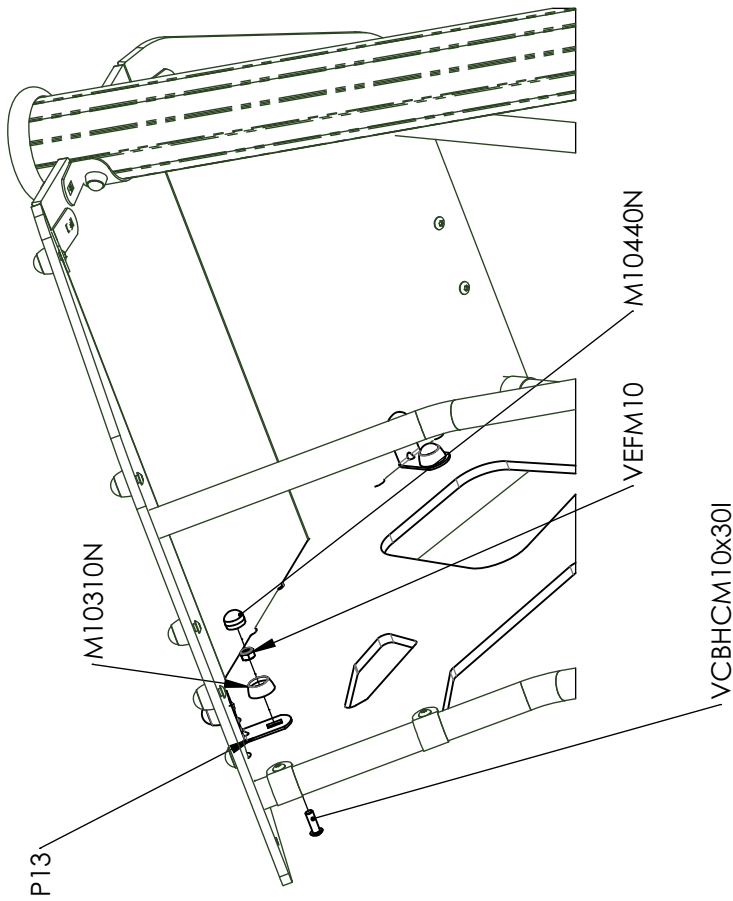
ET38504

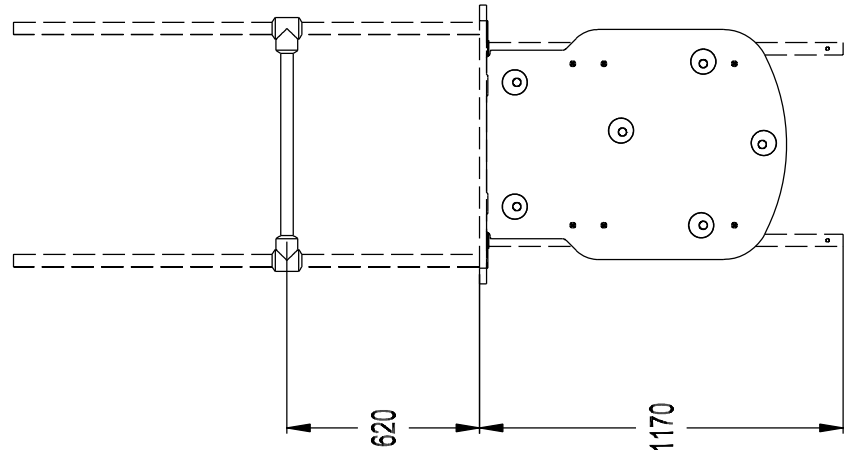
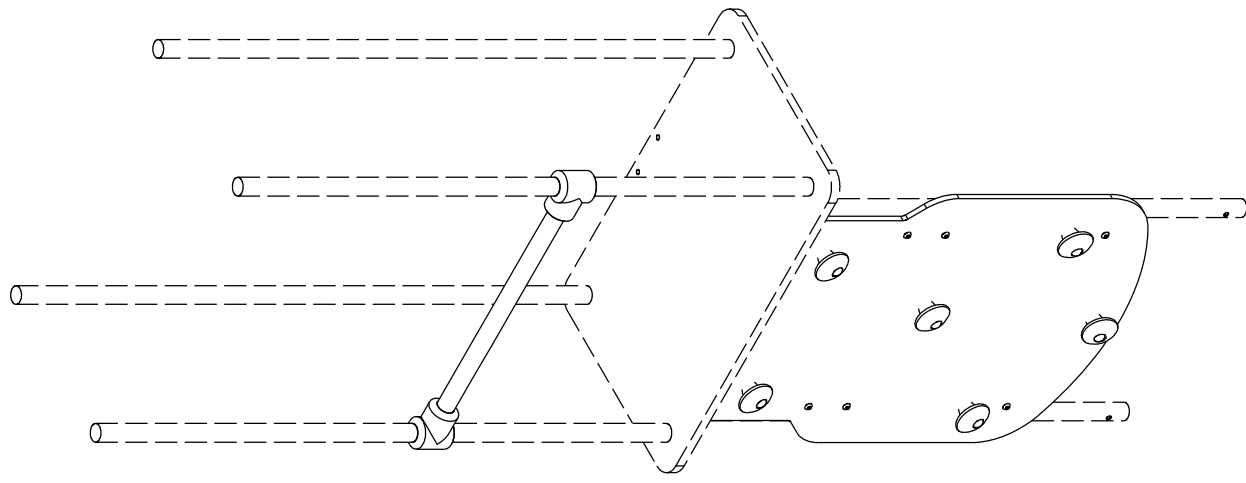
| Réf          | Qté |
|--------------|-----|
| ET3832PL     | 2   |
| ET38300PL    | 1   |
| ET38325PL    | 2   |
| ET38504PV    | 1   |
| ET38523CH    | 1   |
| FT3833       | 1   |
| LG4412       | 1   |
| LGP3806A     | 1   |
| LI2804       | 4   |
| LI3855       | 1   |
| LI3858       | 2   |
| LI4505       | 10  |
| LP3800N      | 1   |
| M8310N       | 2   |
| M8440N       | 2   |
| M10310N      | 45  |
| M10440N      | 58  |
| MI025N       | 1   |
| MI4700       | 4   |
| P13          | 7   |
| P150         | 4   |
| VCBHCMI0x30I | 43  |
| VCBHCMI0x40I | 2   |
| VEFM10       | 45  |
| VFHCM6x40    | 1   |
| VTH6x30A     | 10  |
| VTH10x60     | 4   |



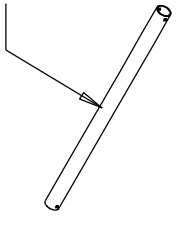




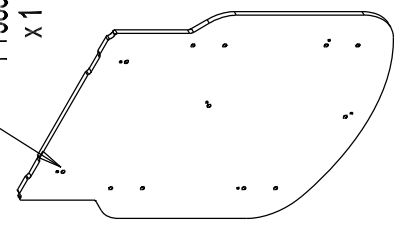




LI3740  
x1



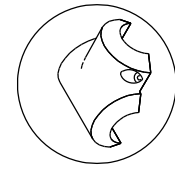
FT3838  
x1



MI3800VX x2  
MI3800J x2  
MI3800O x2

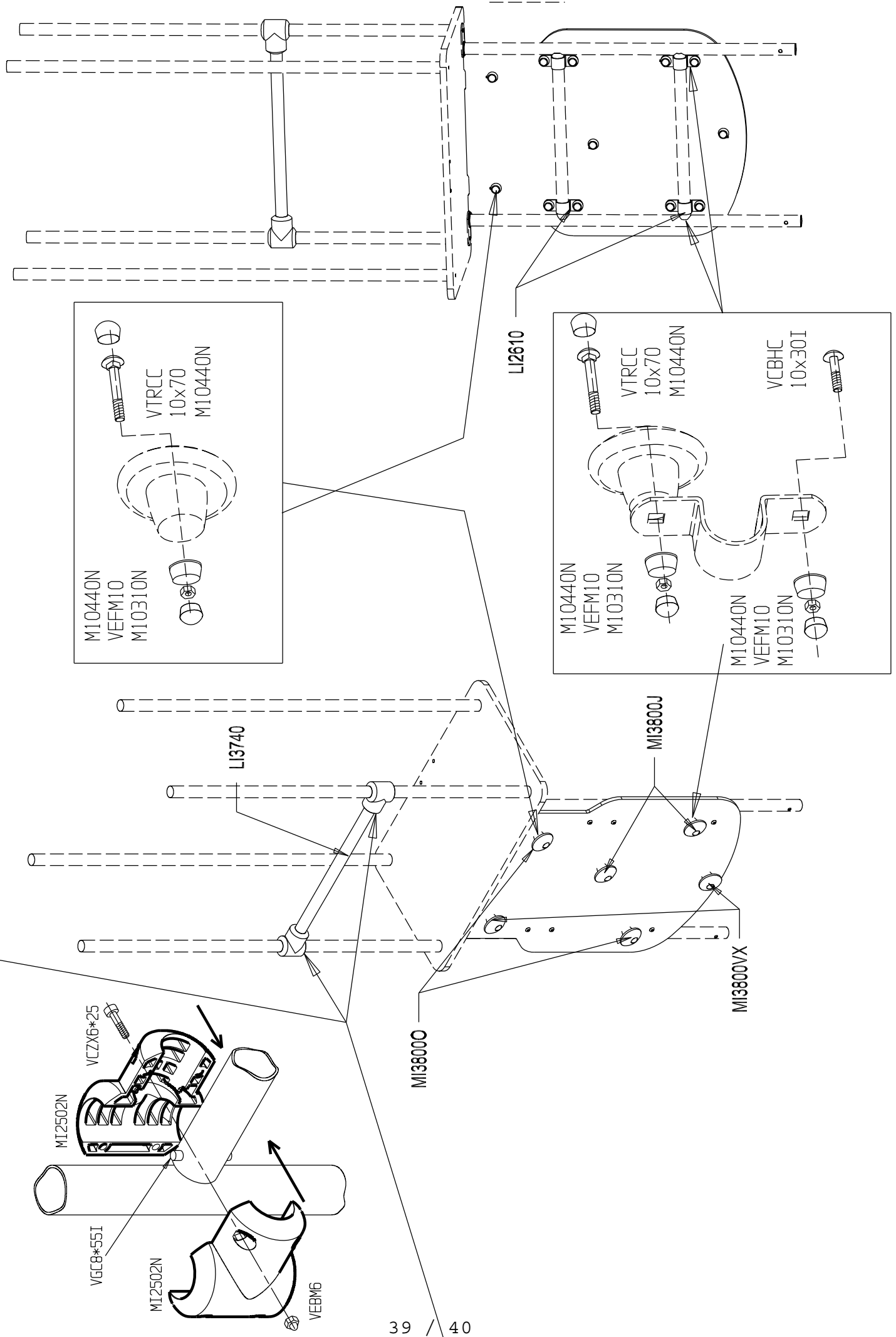


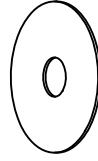
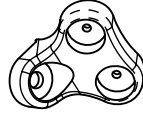
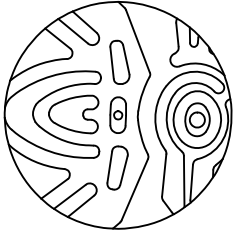
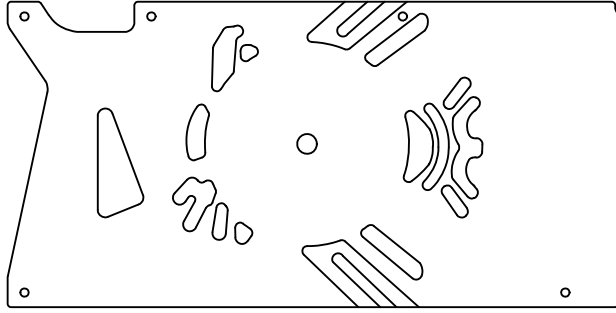
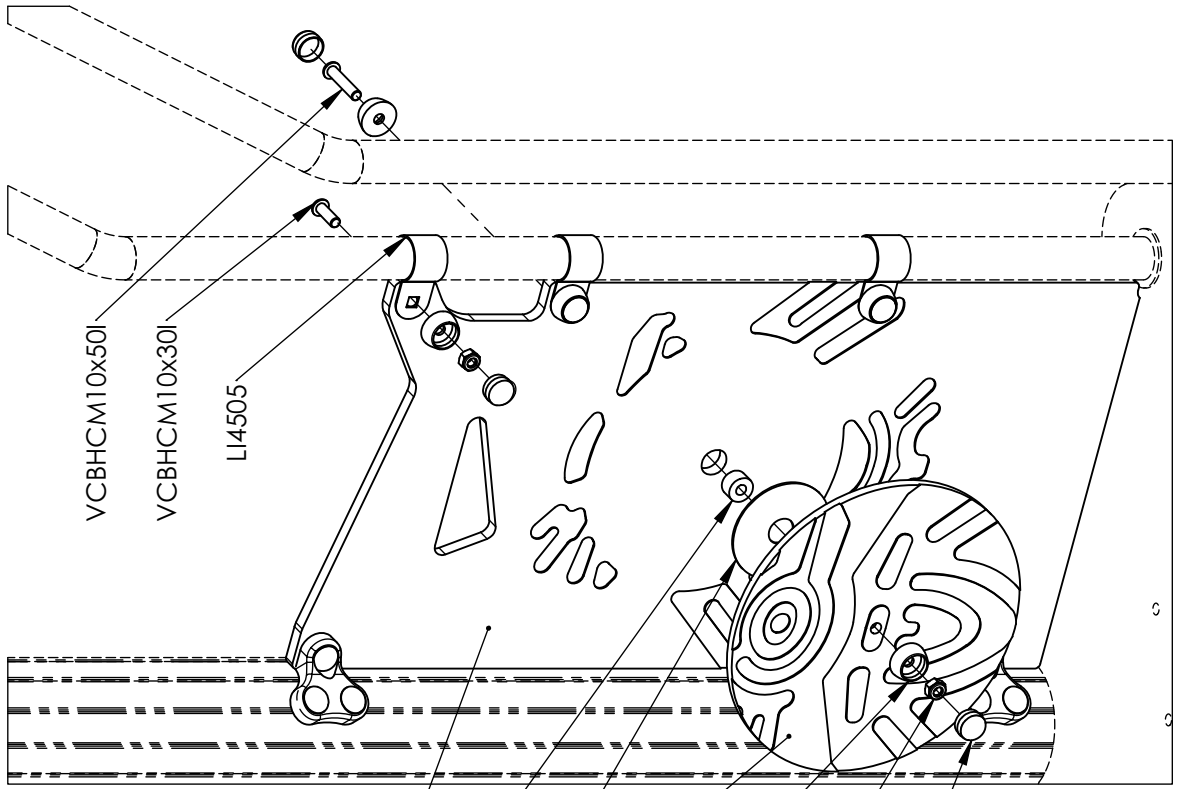
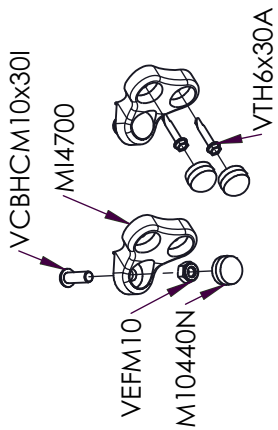
LI2610  
x4



MI2502N x4

|  |             |    |
|--|-------------|----|
|  | VCZX 6x25   | 8  |
|  | VEBM6       | 8  |
|  | VCBHC10*30I | 6  |
|  | VTRCC10x70  | 6  |
|  | M10310N     | 12 |
|  | M10440N     | 18 |
|  | VEFM10      | 12 |





| Réf          | Qté |
|--------------|-----|
| ET38519PV    | 1   |
| ET38520PV    | 1   |
| LI3929       | 1   |
| LI4505       | 3   |
| M10310N      | 5   |
| M10440N      | 11  |
| MI4700       | 2   |
| MU4700       | 1   |
| VCBHCM10x30I | 5   |
| VCBHCM10x50I | 1   |
| VEFM10       | 6   |
| VTH6x30A     | 4   |