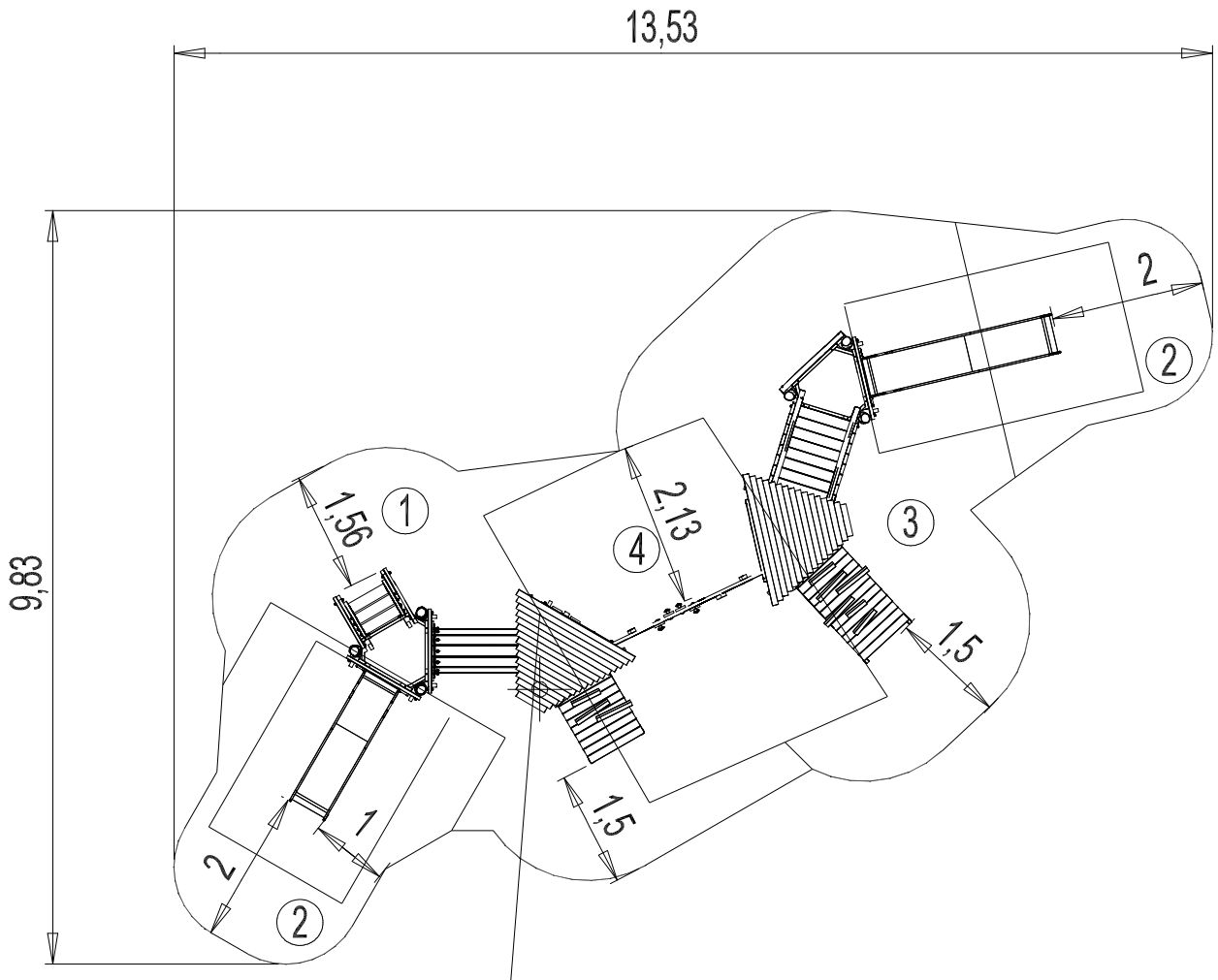


N°		
①	0.97 m	16.5 m ²
②	1 m	19.5 m ²
③	1.37 m	22.5 m ²
④	2.3 m	14.5 m ²

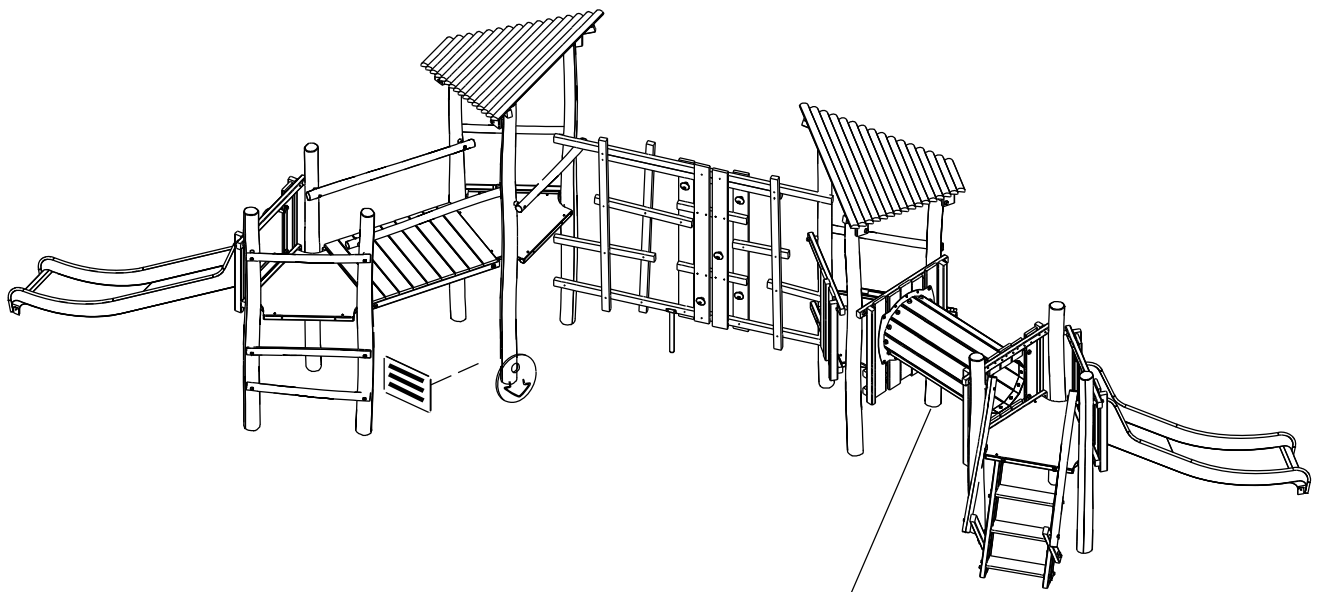
— Zone d'Impact
 Impact Area
 Area de Impacto
 Fallraum
 Valzone

EN 1176-1 : 2017
 EN 1176-3 : 2017

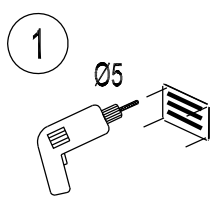
- - Espace libre
 Free Space
 Espacio Libre
 Freiraum
 Vrije ruimte



▲ 0 Point de Référence
 Setting Out Point
 Punto de referencia
 Bezugspunkt
 Referentiepunt



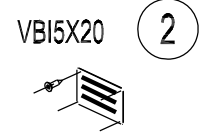
0



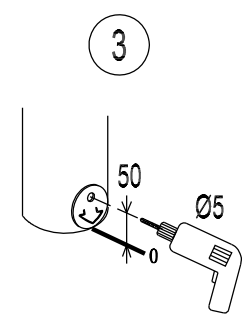
Ø5



LA000

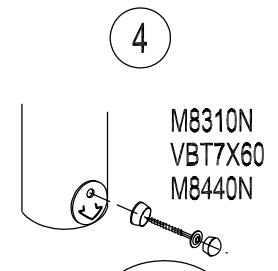


VBI5X20

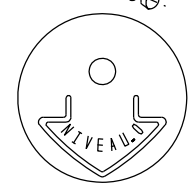


50

Ø5

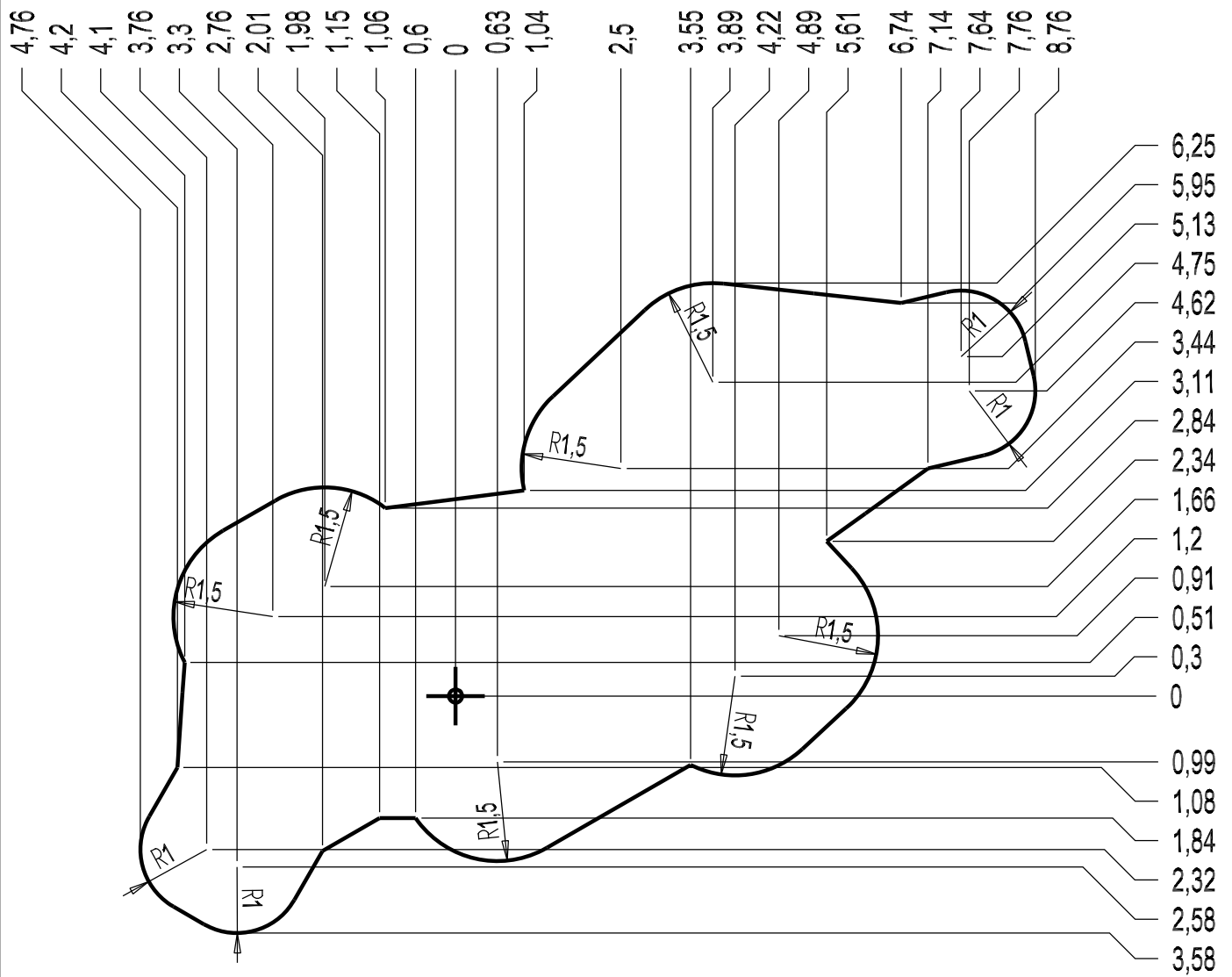


M8310N
VBT7X60
M8440N

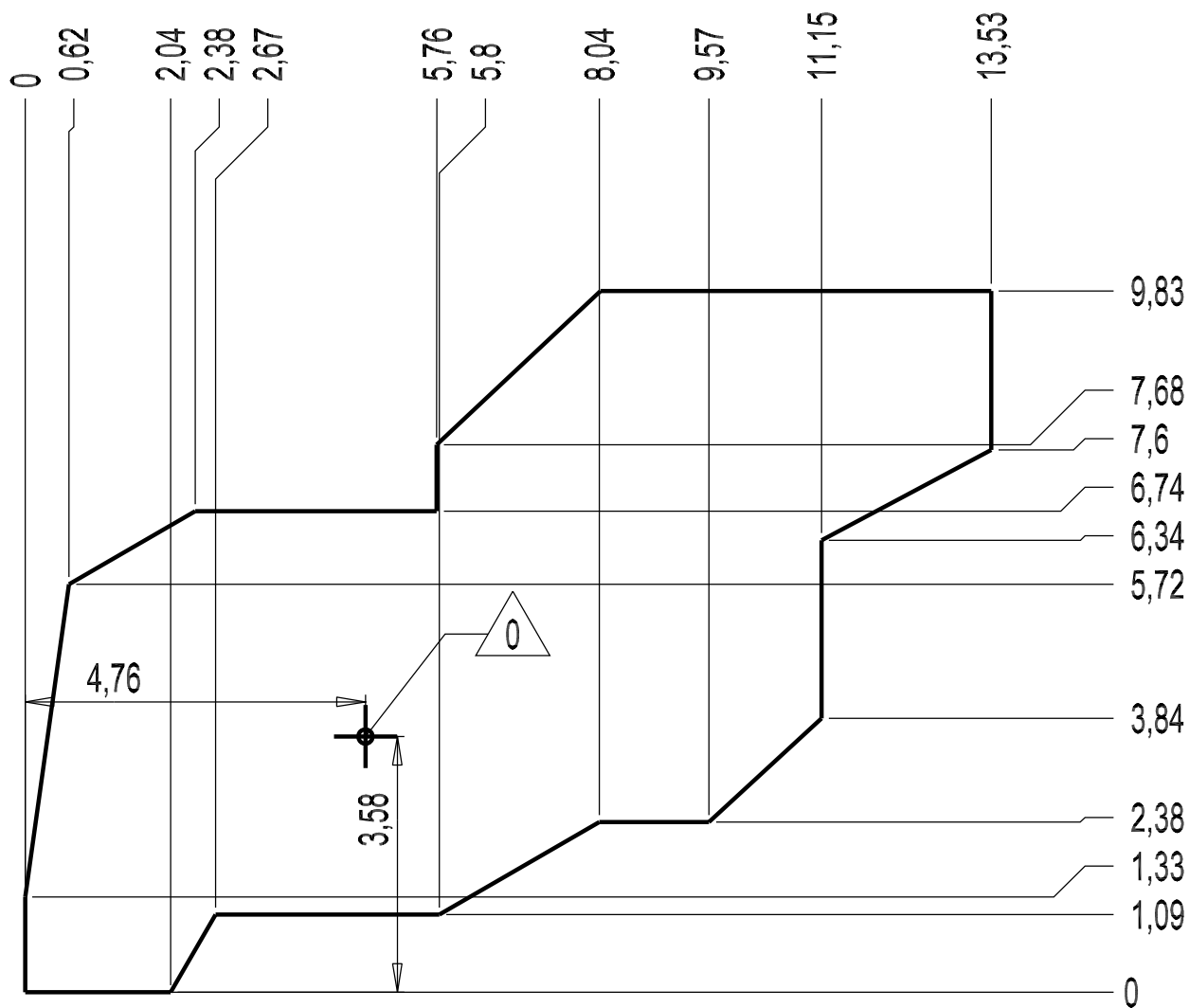


MI0002

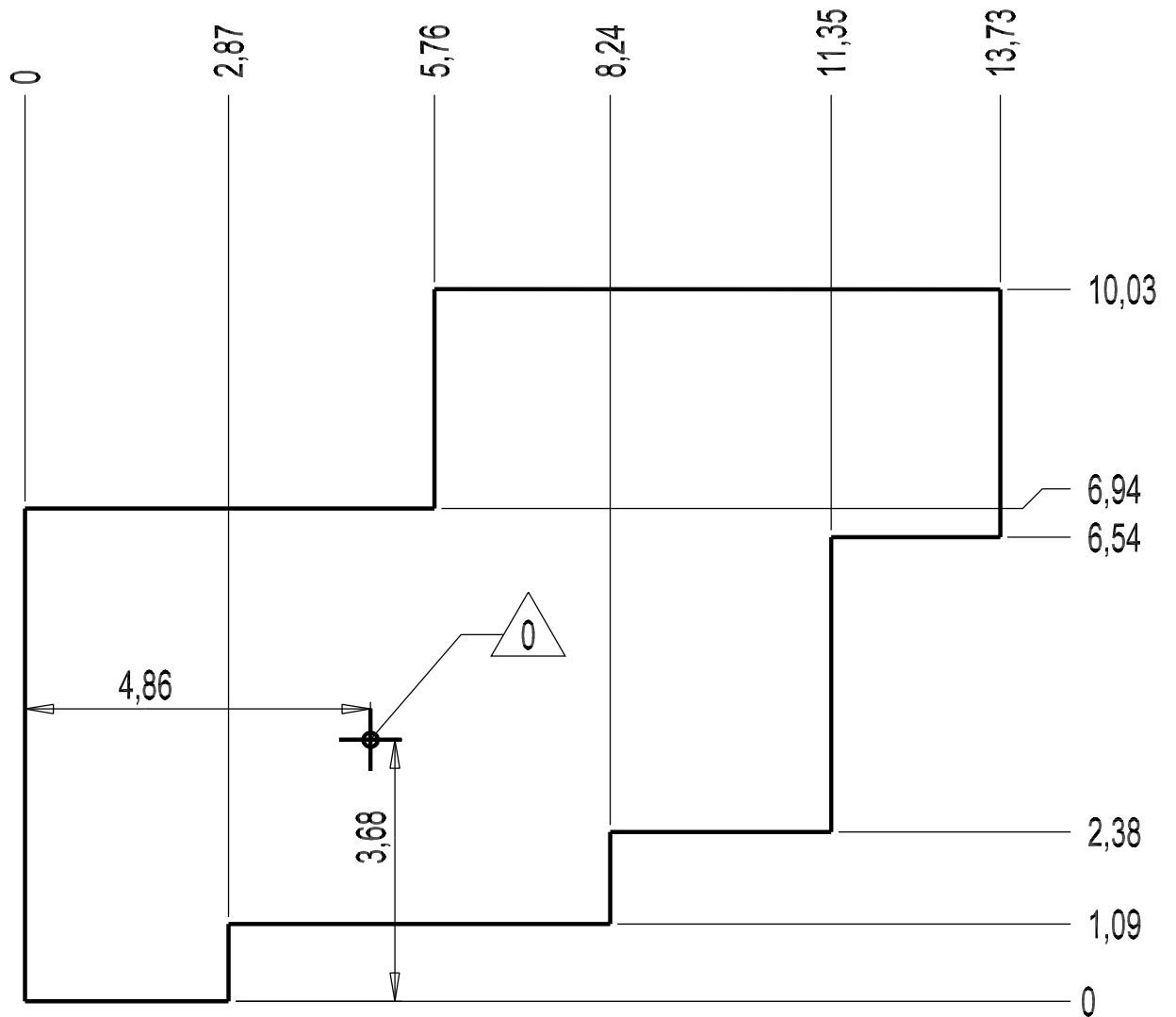
— Zone d'Impact **73 m²**
 Impact Area
 Area de Impacto
 Fallraum
 Valzone



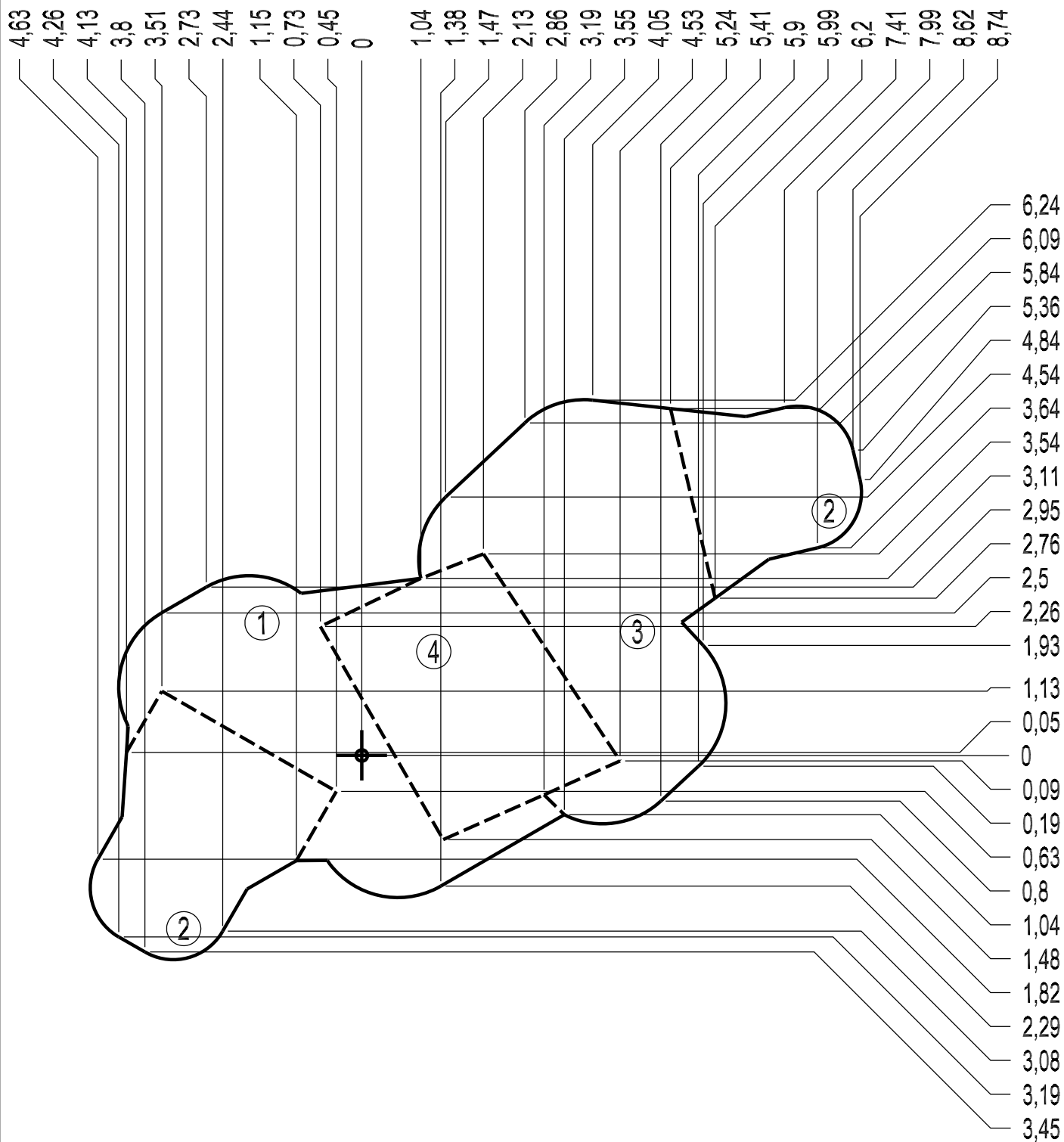
- Dalle béton 41 m
- Concrete pad 77 m²
- Solera de Hormigón
- Beton Bodenplatte
- Betonnen bodenplaat

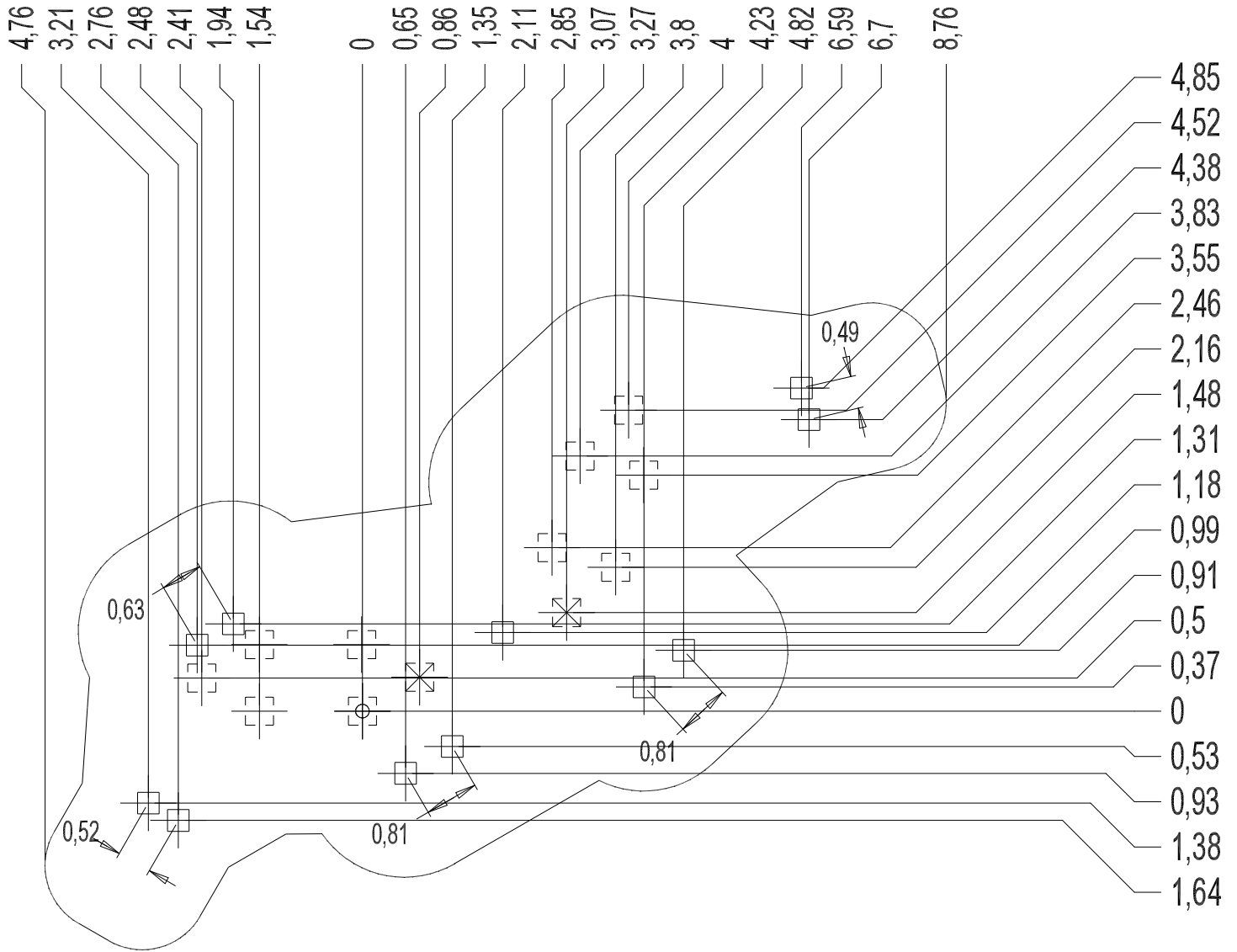


— Sol fluent 49 m
 Loose particle material 91 m²
 Arenero
 Loses Bodenmaterial
 Los bodenmaterial

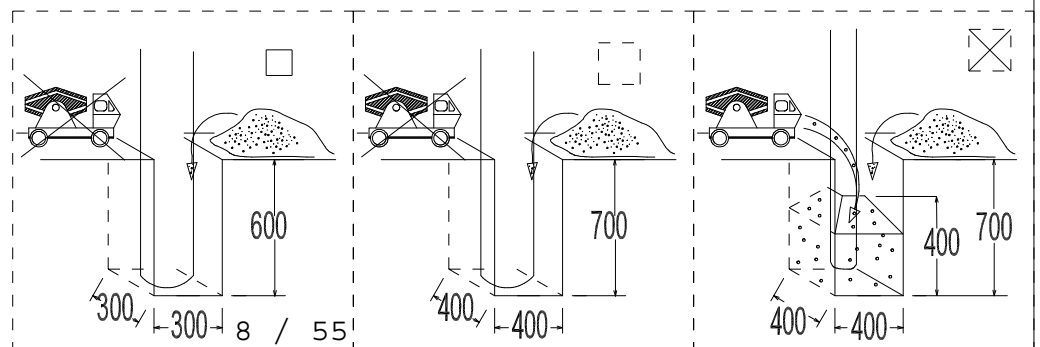



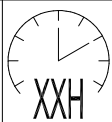

- Sol souple 73 m²
- Wetpour
- Caucho Continuo
- Synthetischer Fallschutz
- Gietvloer

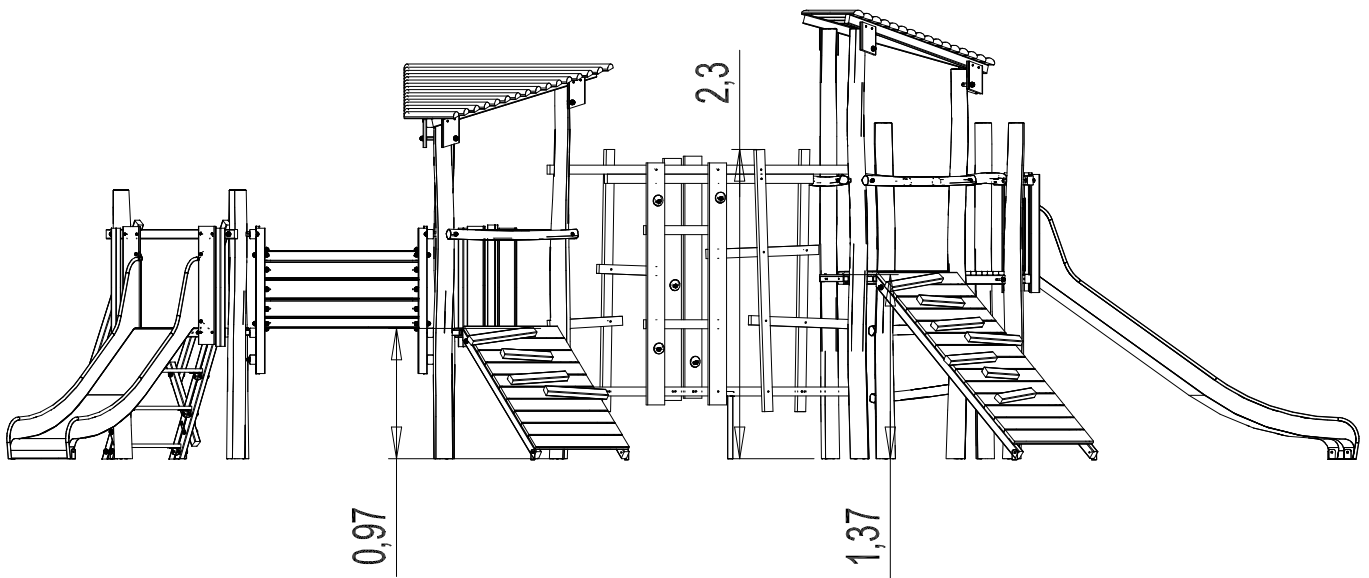
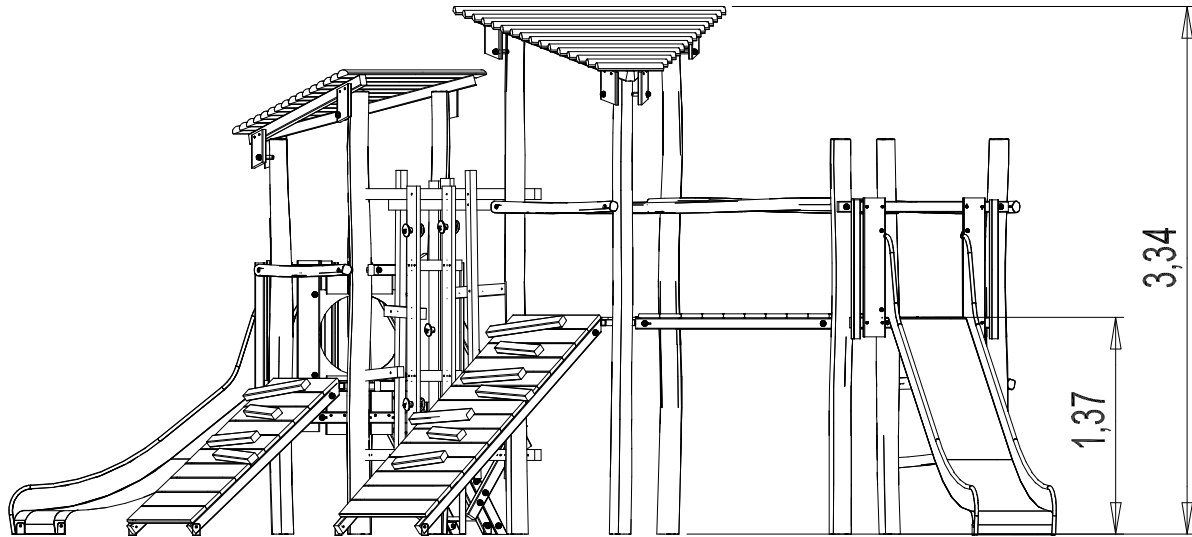


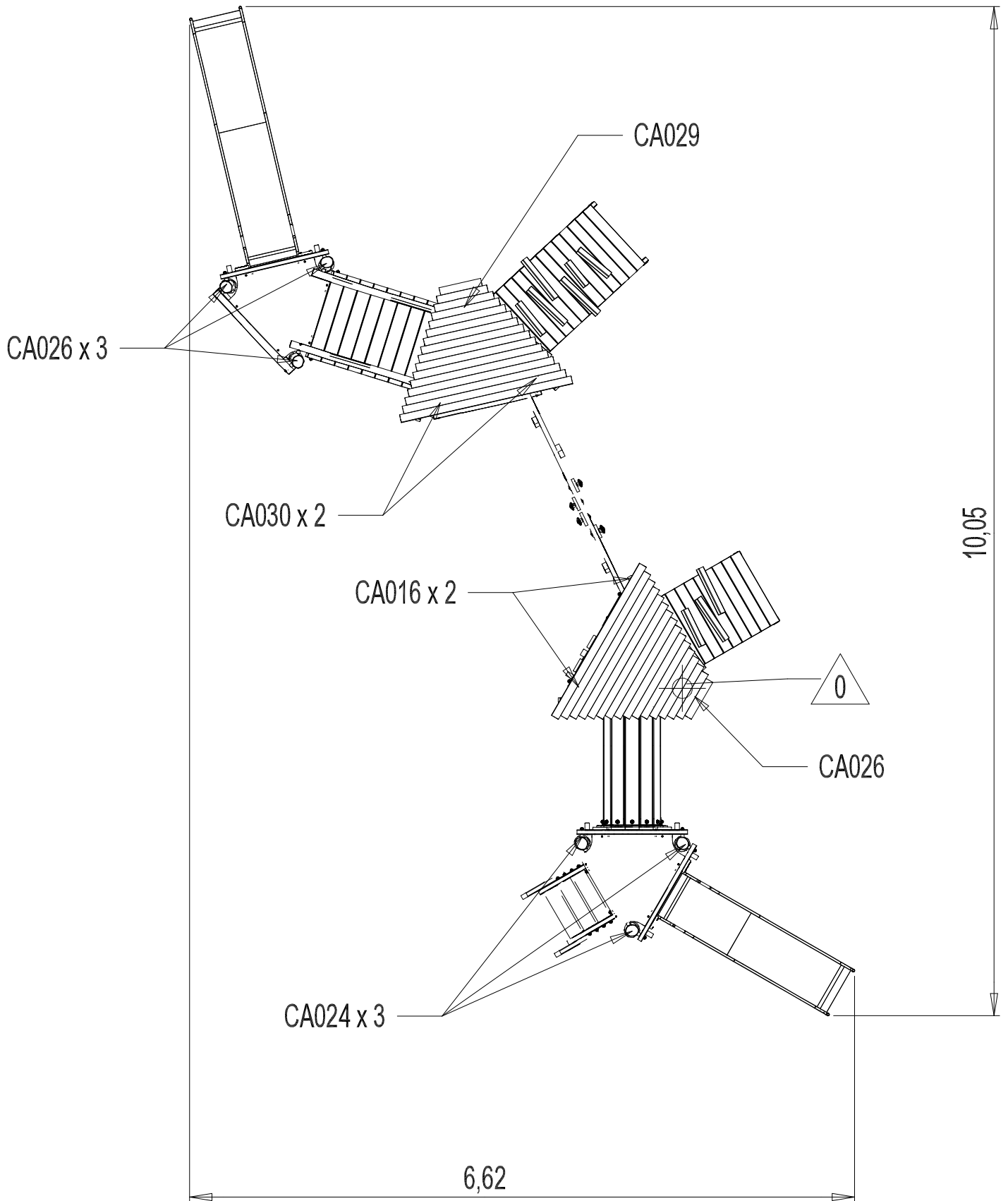


Implantation
 Footing plan
 Implantación
 Fundamentplan
 Funderingstekening

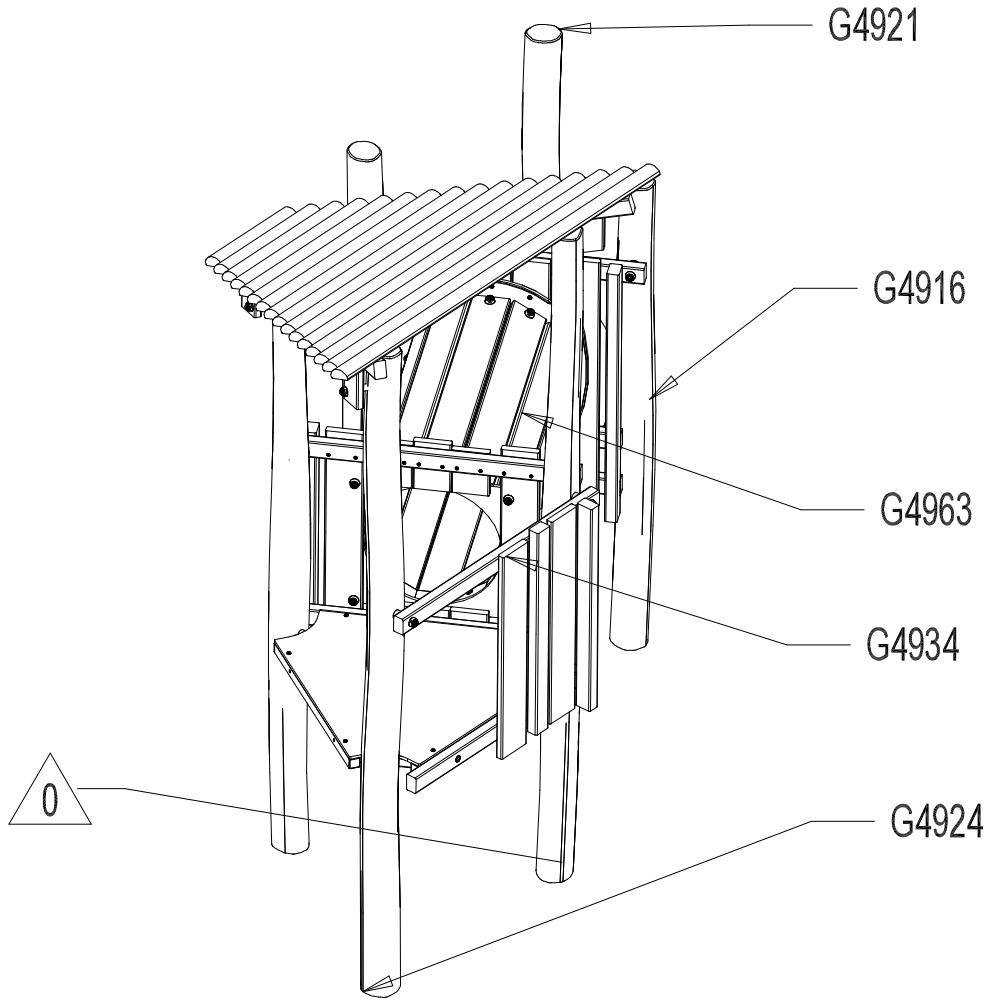


 x3
 XXH
 0.13m³

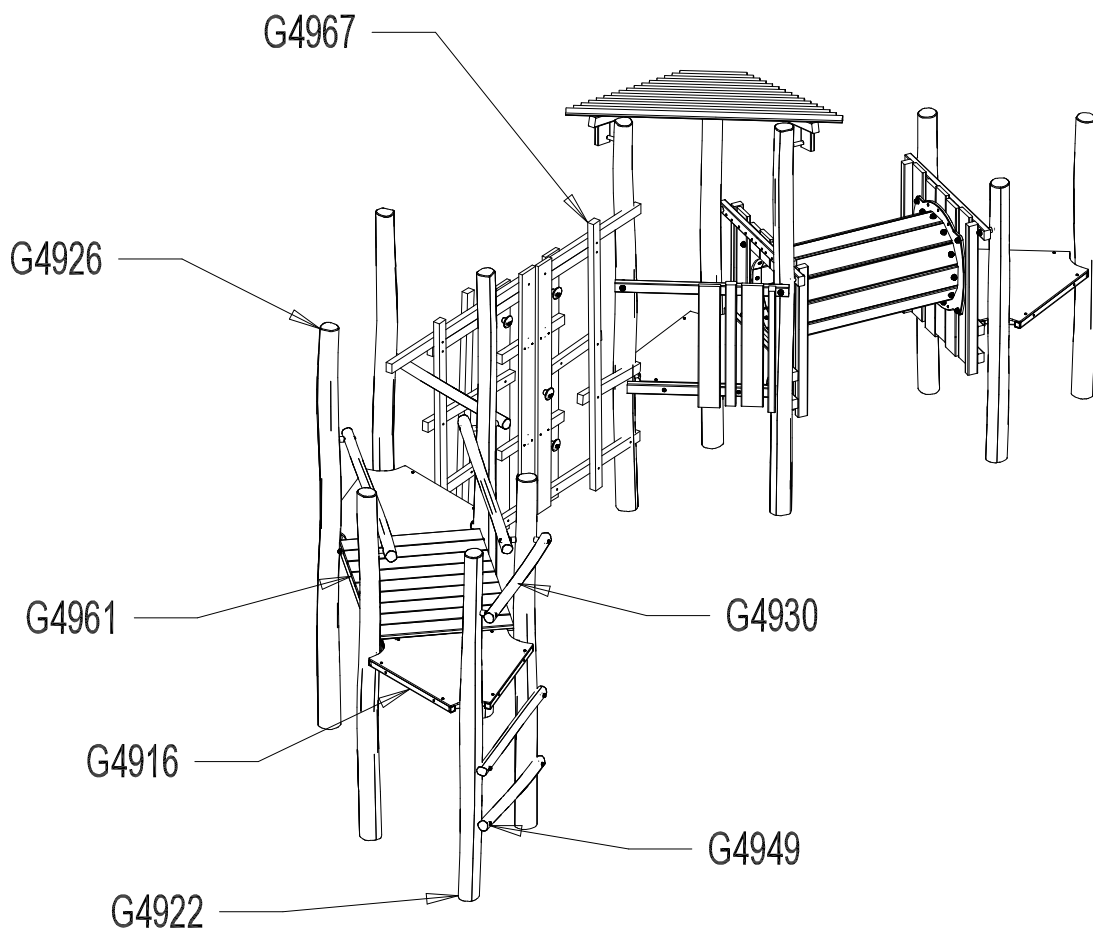




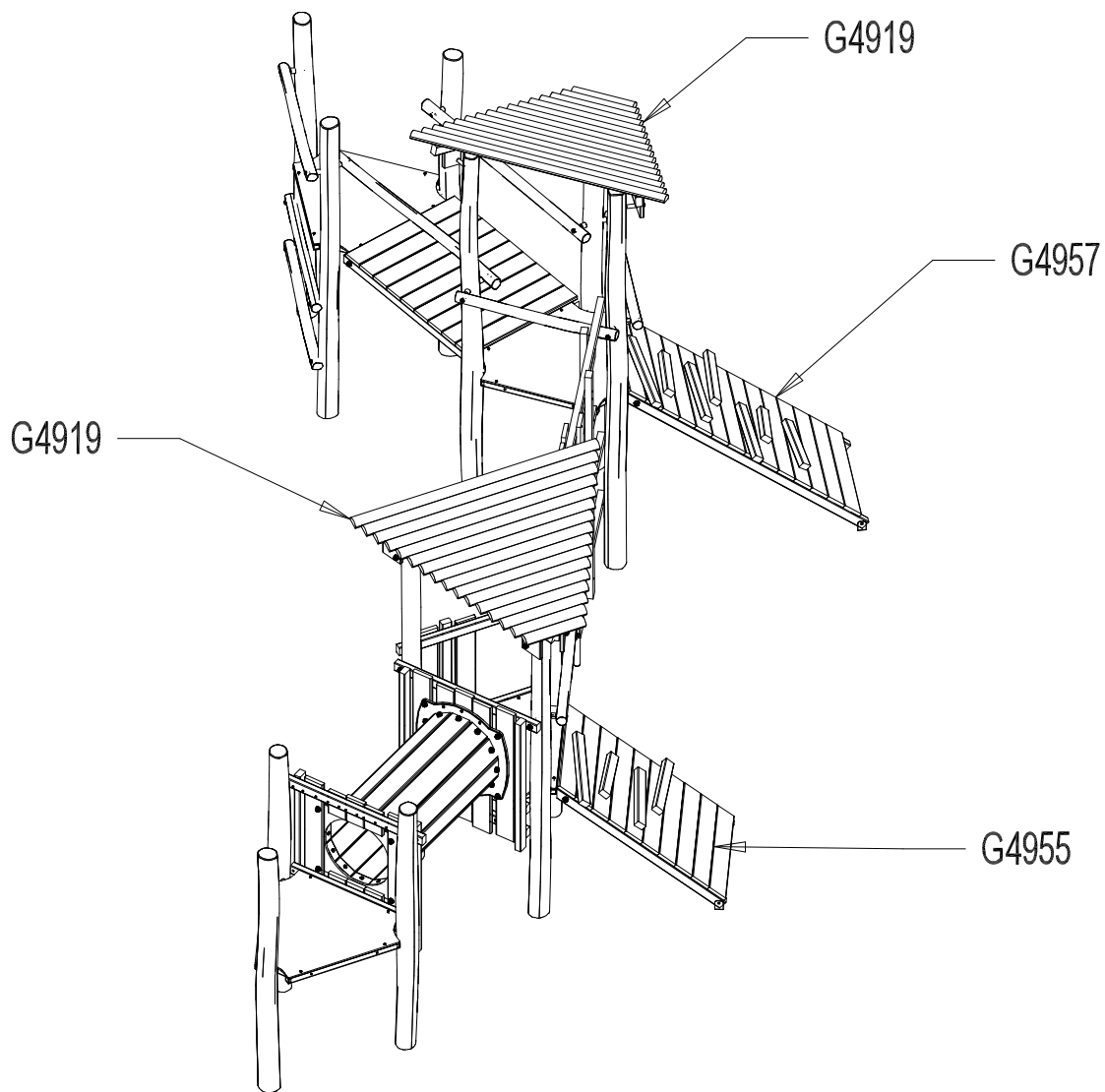
1



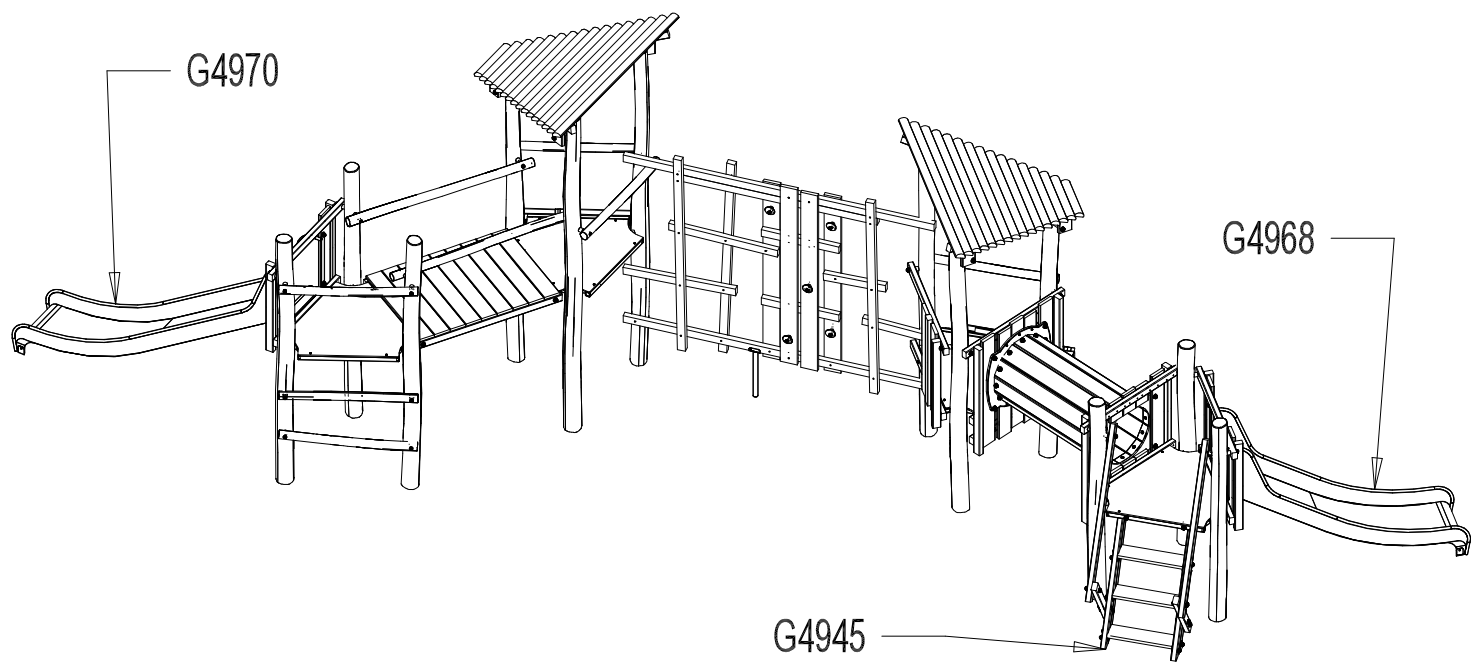
2

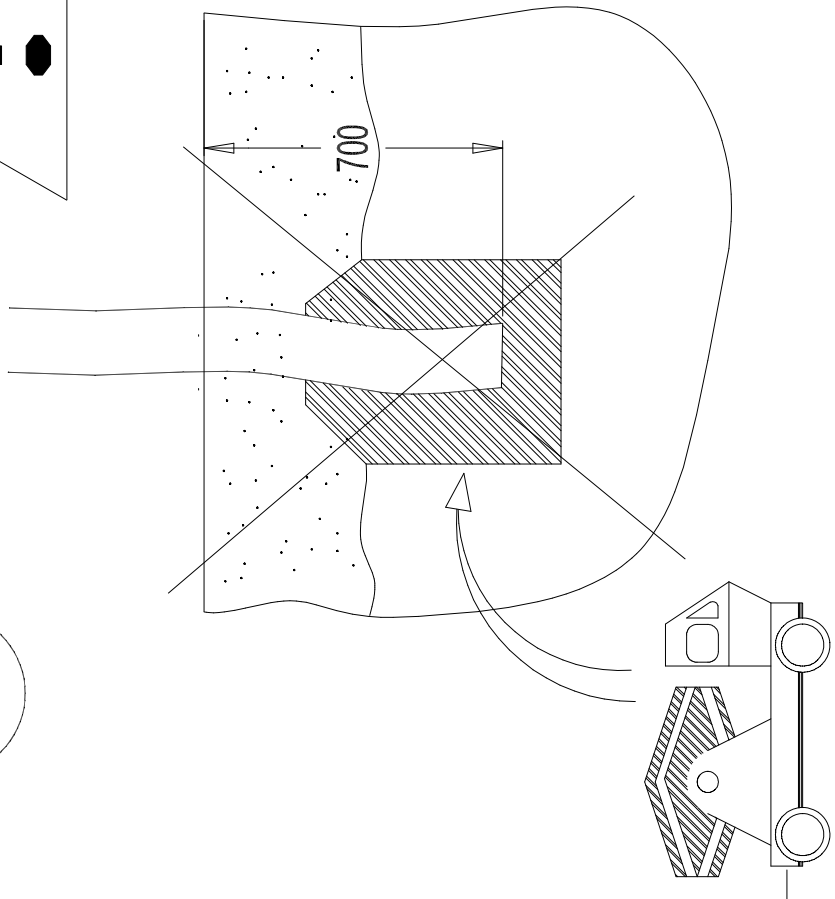
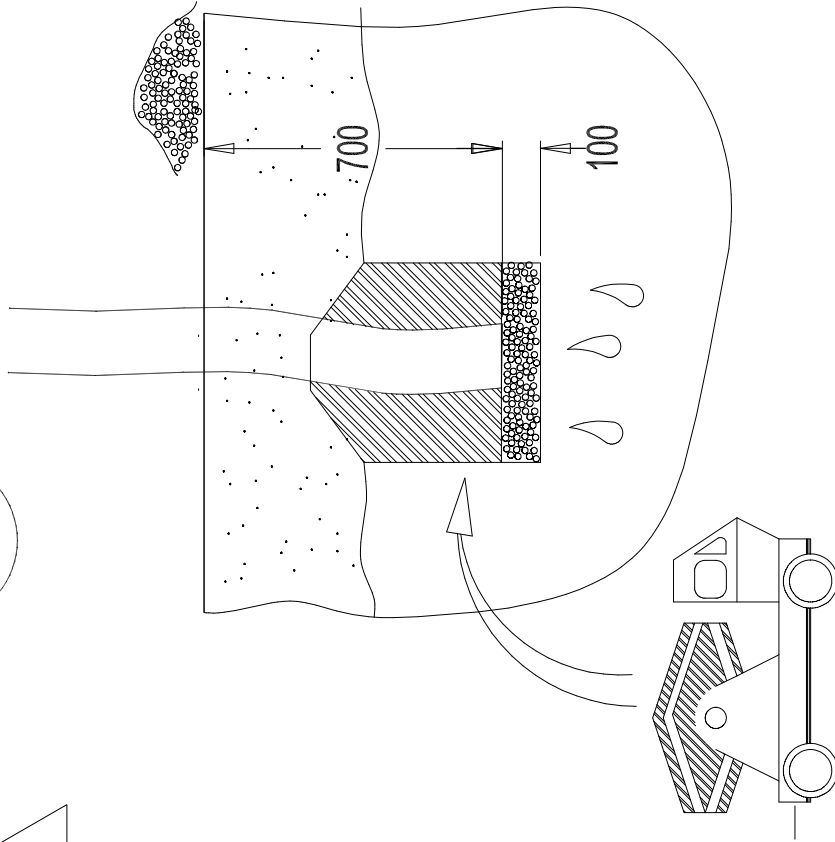
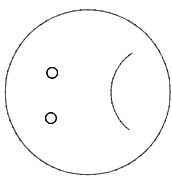
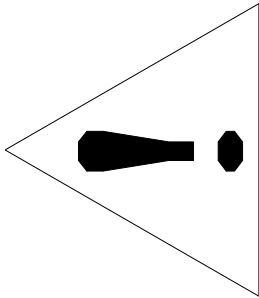
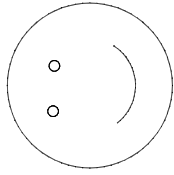


3

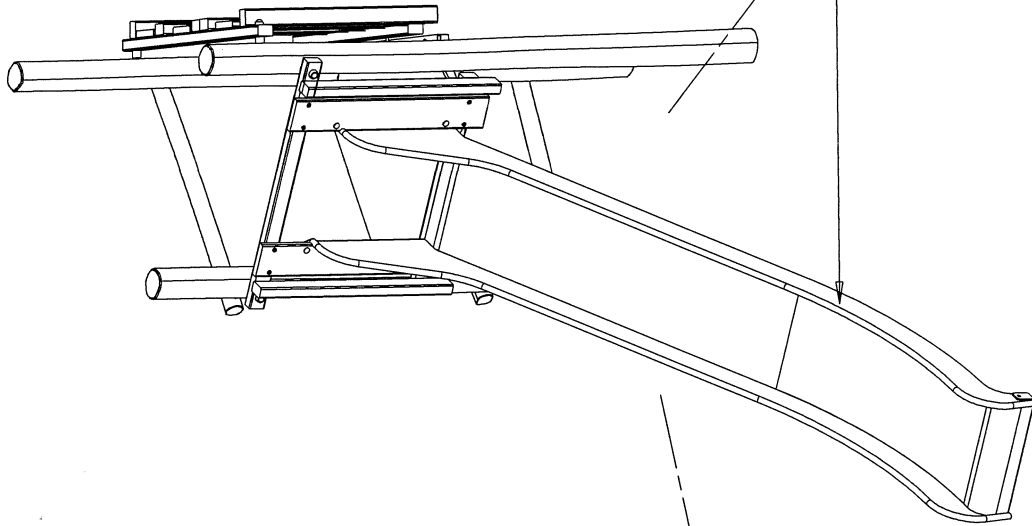
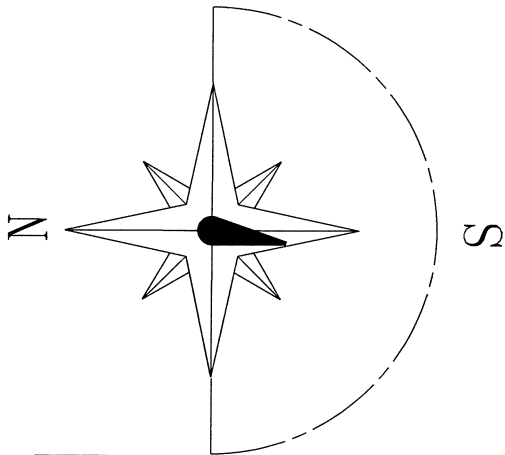


4

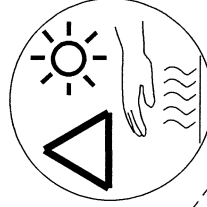
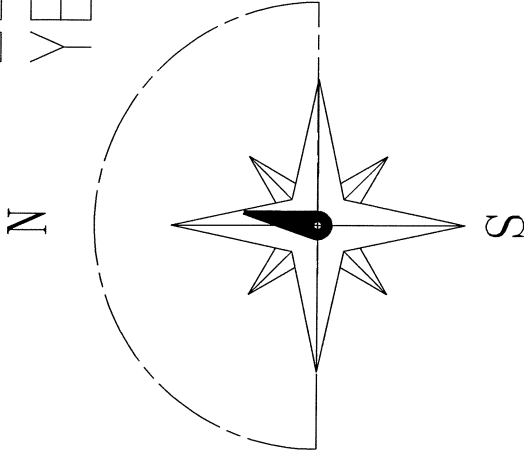




NON
NO



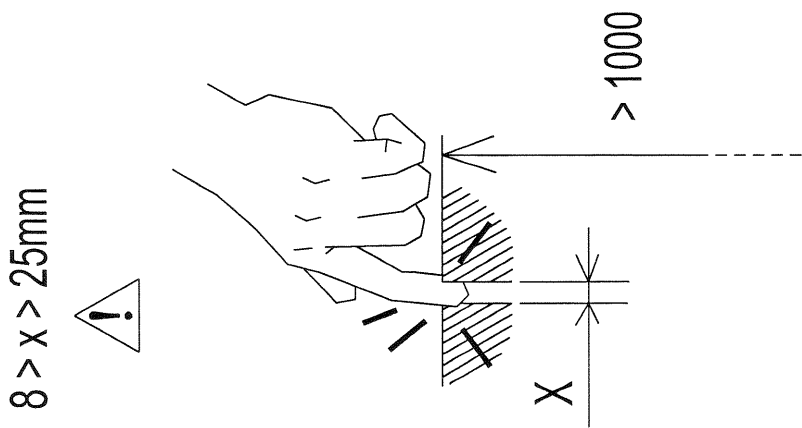
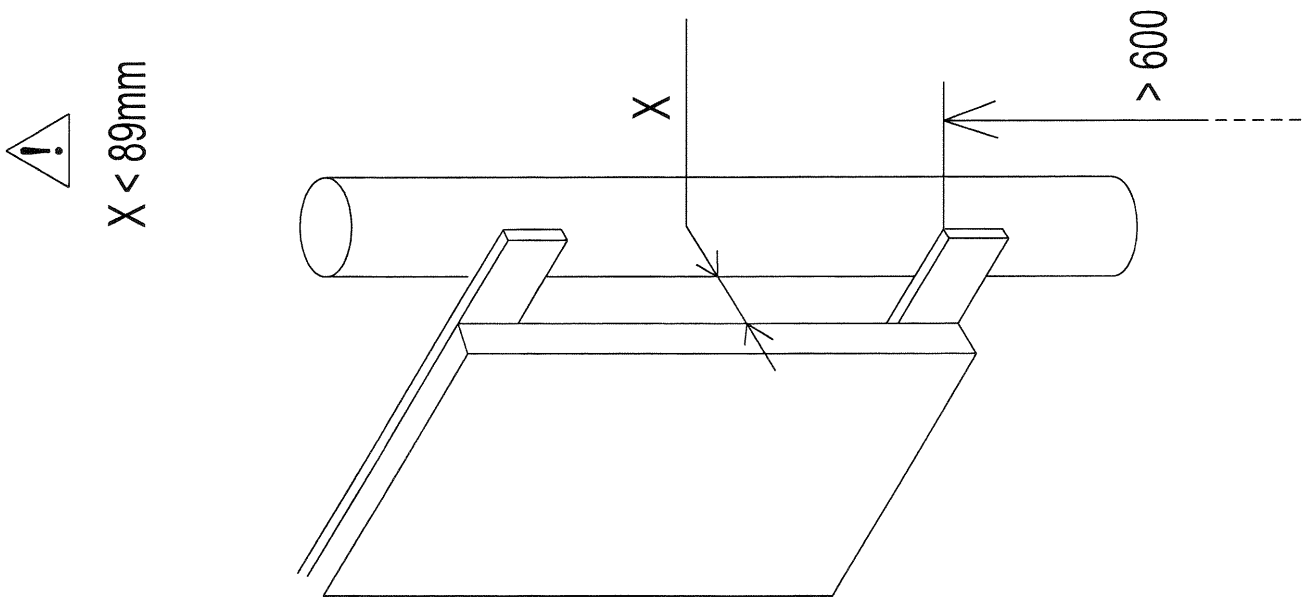
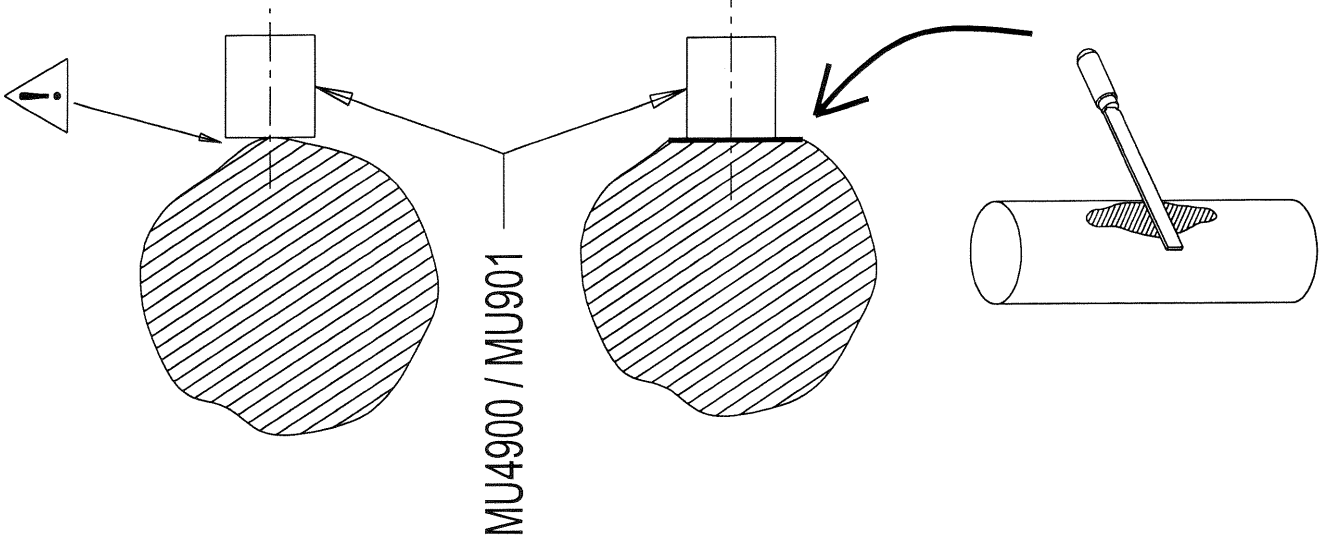
OUI
YES

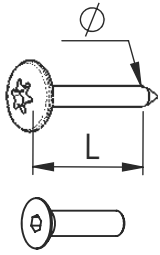


STOP

Il est recommandé de ne pas orienter la glissière Sud / Sud Ouest

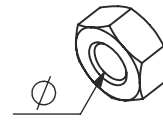
FR



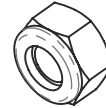


VBT 6 x 30
 \varnothing L (mm)

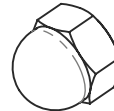
VFHC



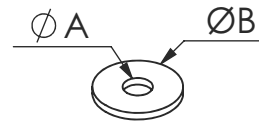
VEC M10
 \varnothing



VEF



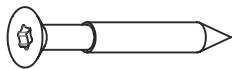
VEB



VR6x18
 $\varnothing A$ $\varnothing B$

1000 - 1800 tr/min
 Vitesse de rotation
 Rotation speed

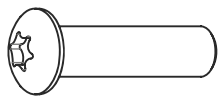
14 N.m
 Couple de rupture
 Torque of break



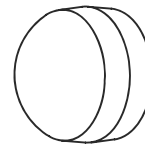
VWT



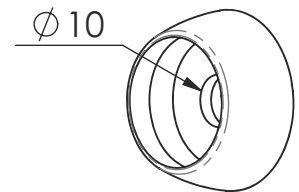
VGC



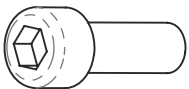
VCBHC



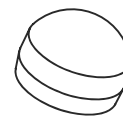
M10 440N



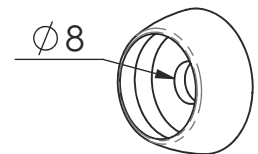
M10 310 N



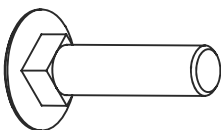
VBTR



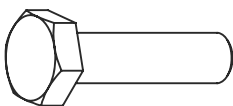
M8440N



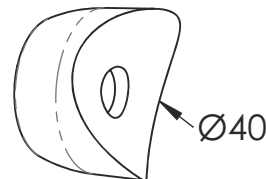
M8310N



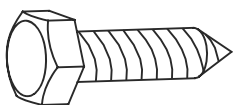
VTRCC



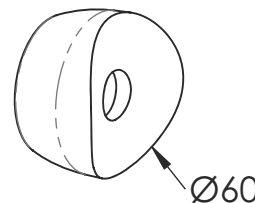
VTH



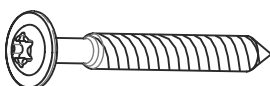
MI2503



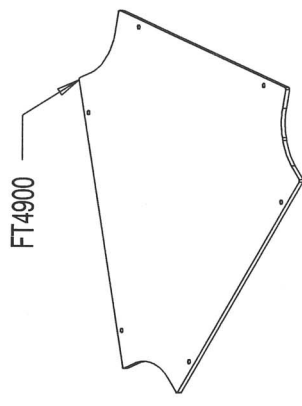
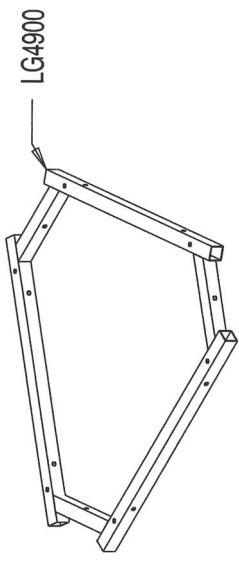
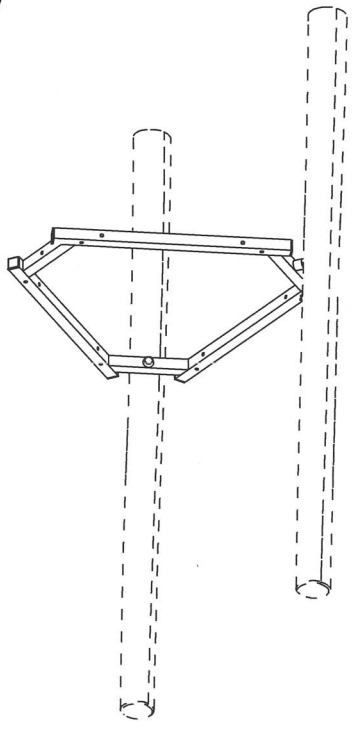
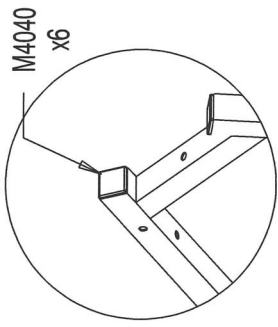
VTF



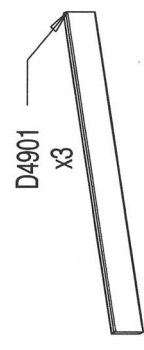
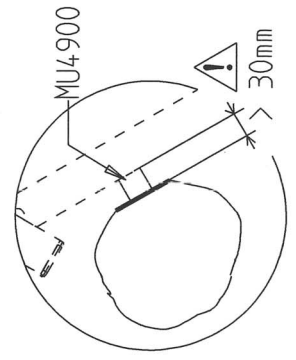
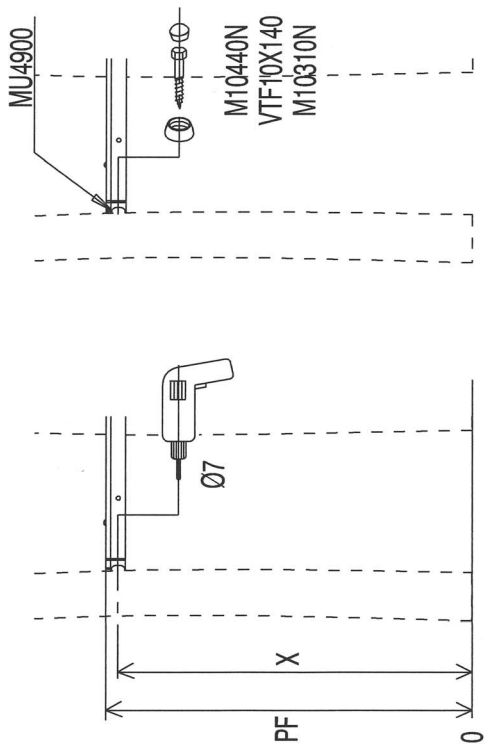
MI2701



VBT

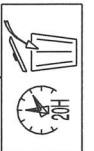
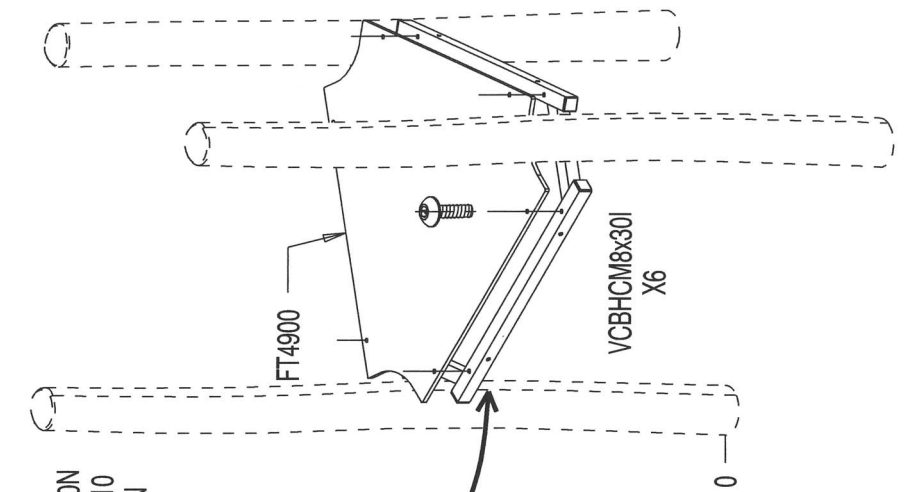
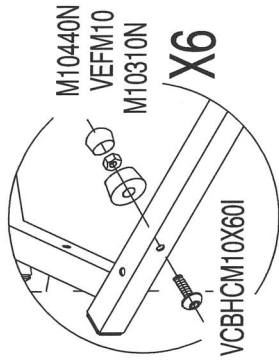
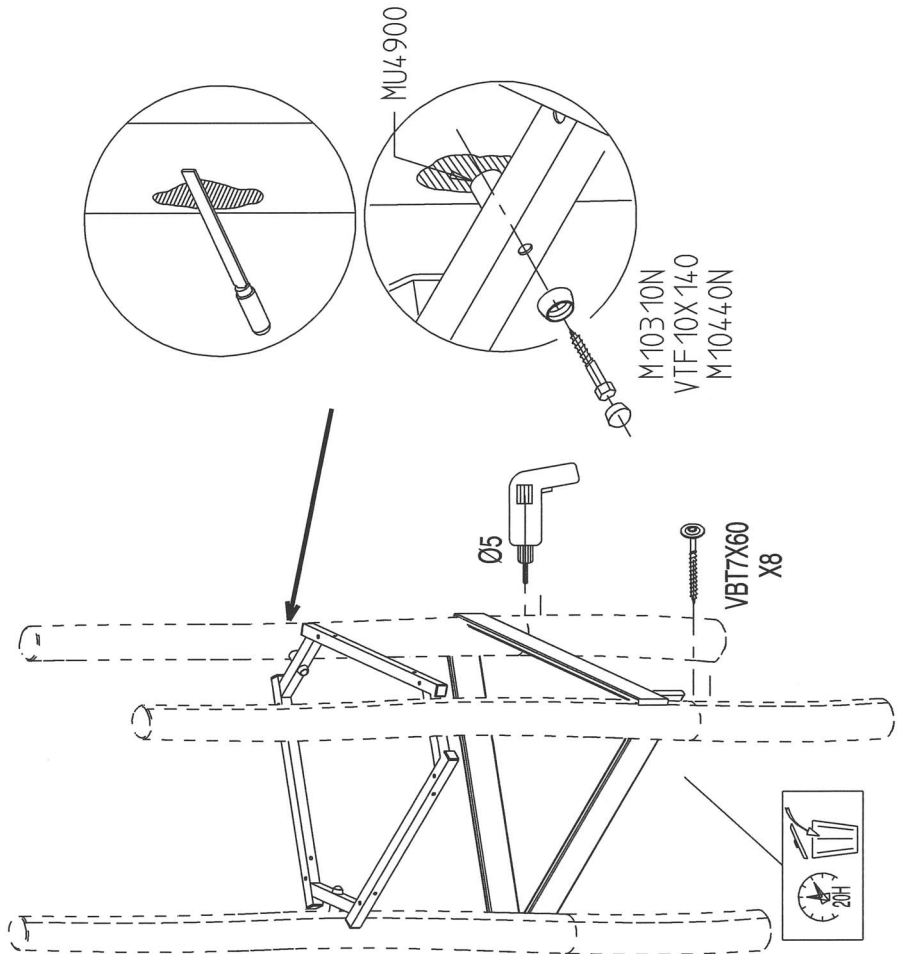
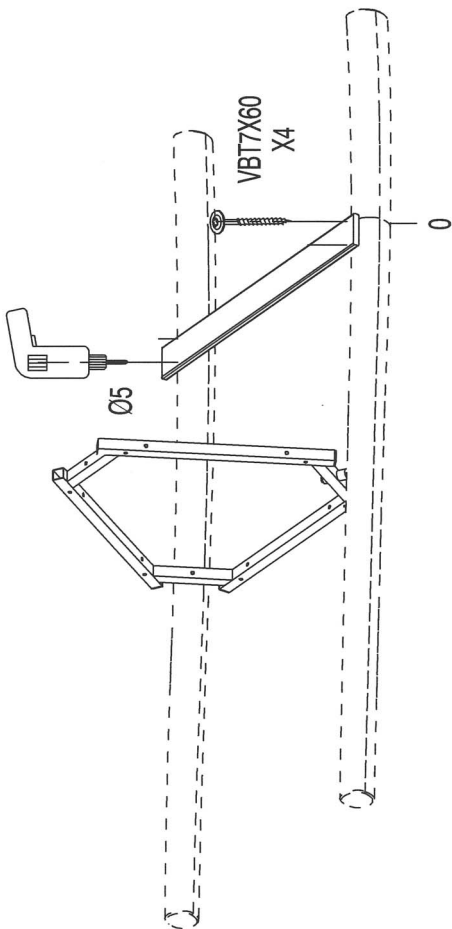


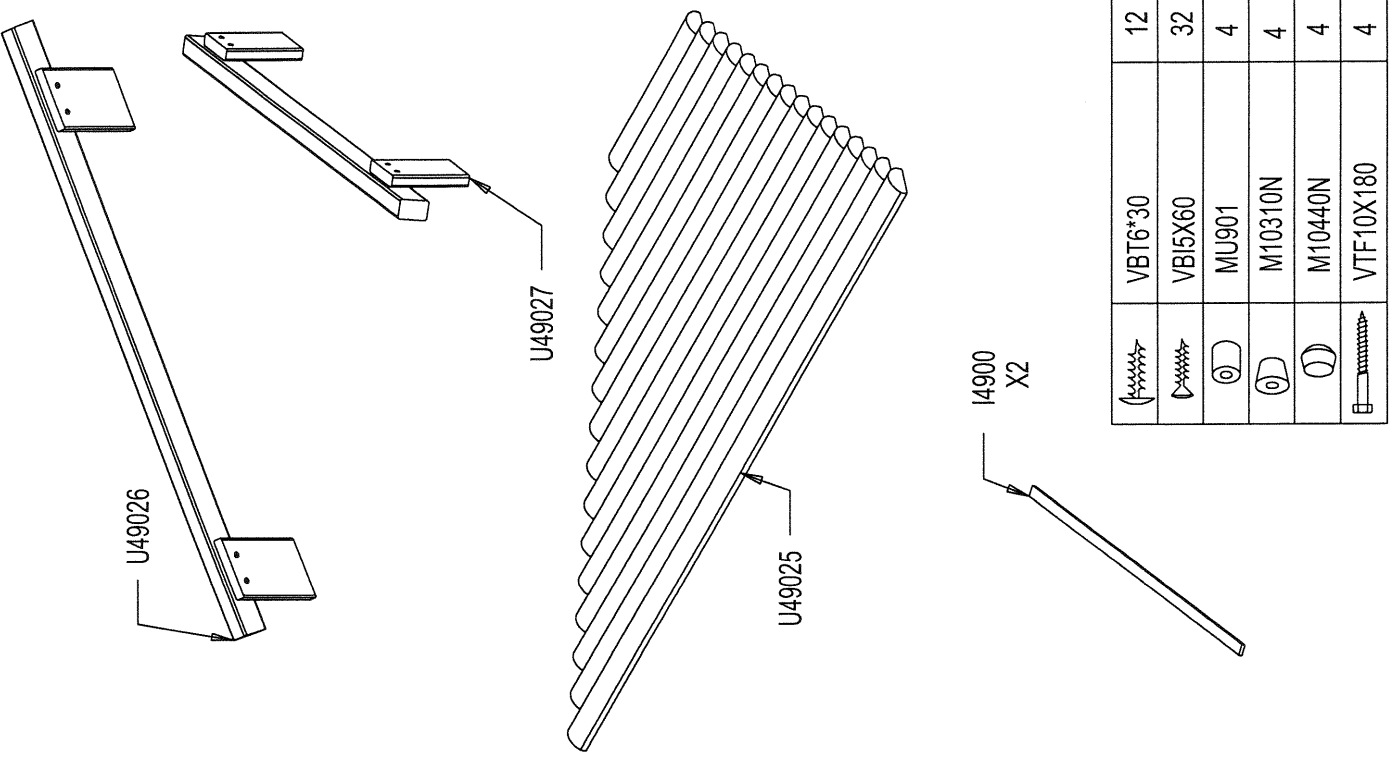
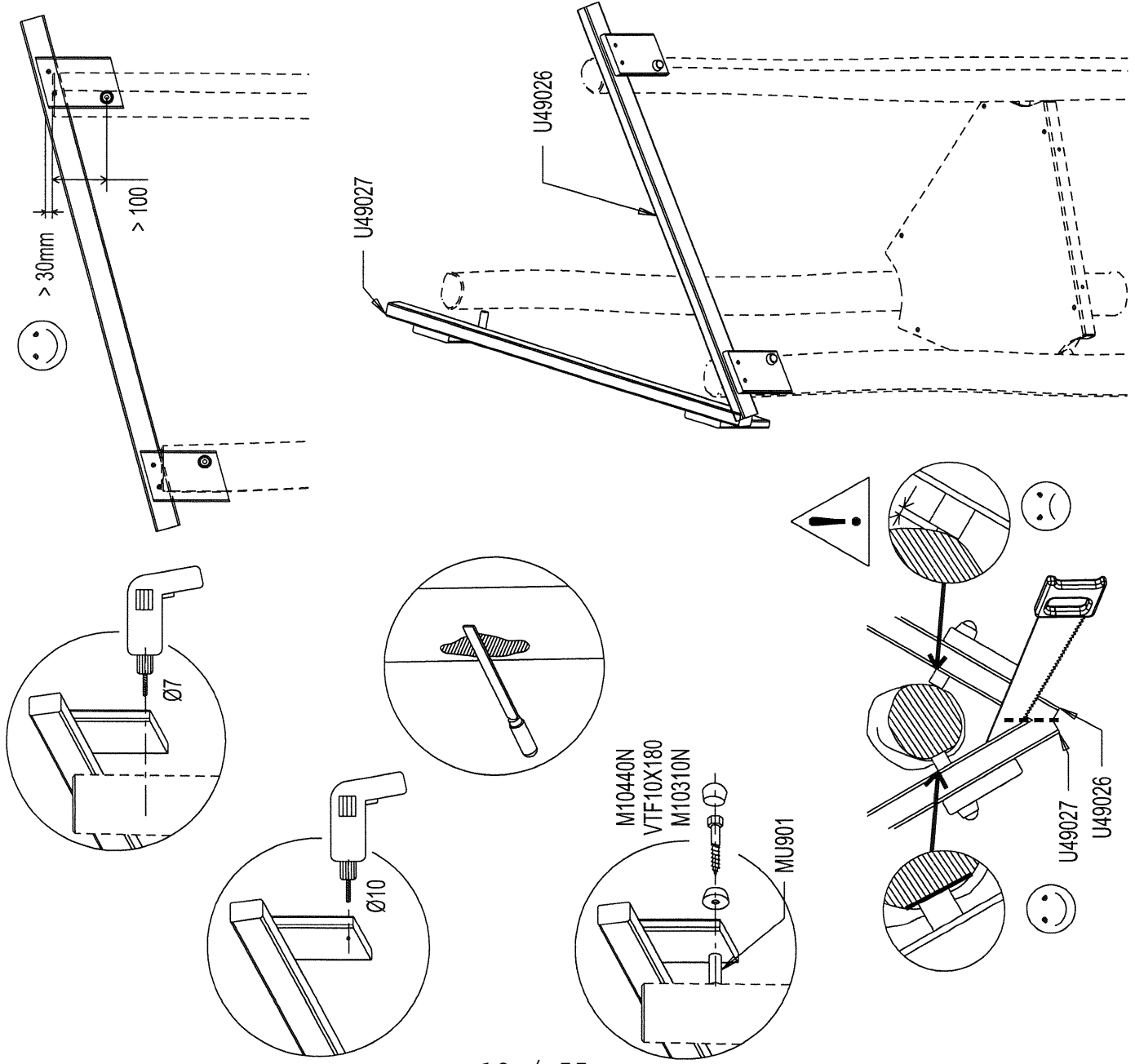
PF	X
970	937
1170	1137
1370	1337
1770	1737

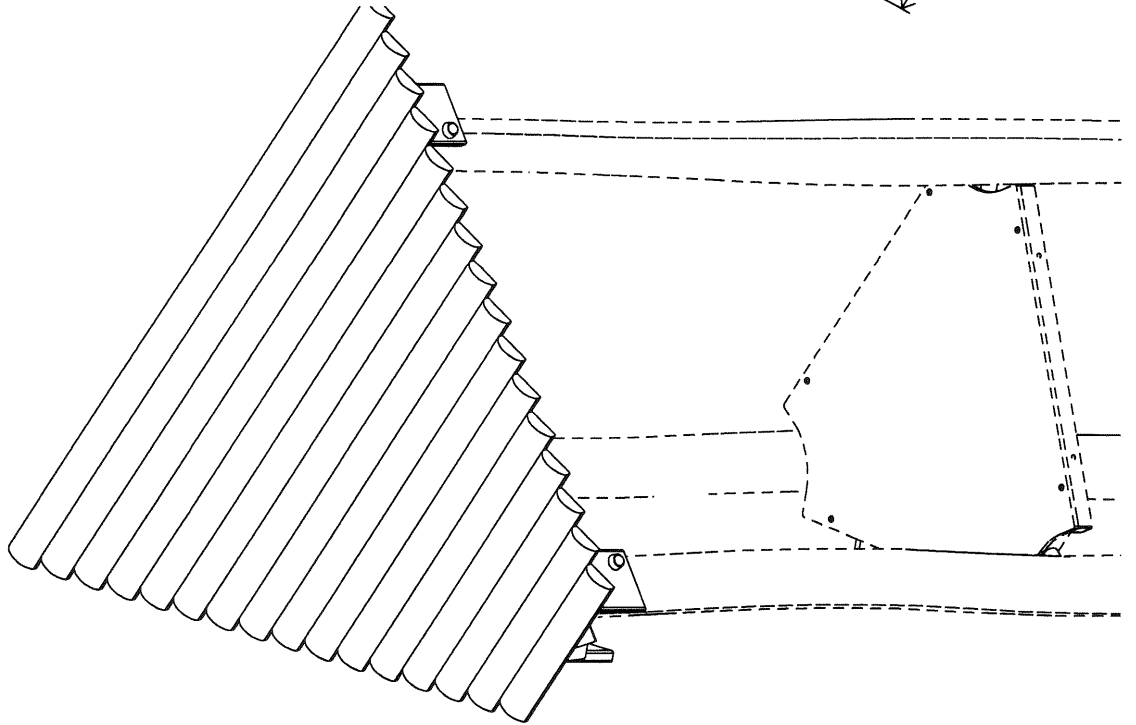
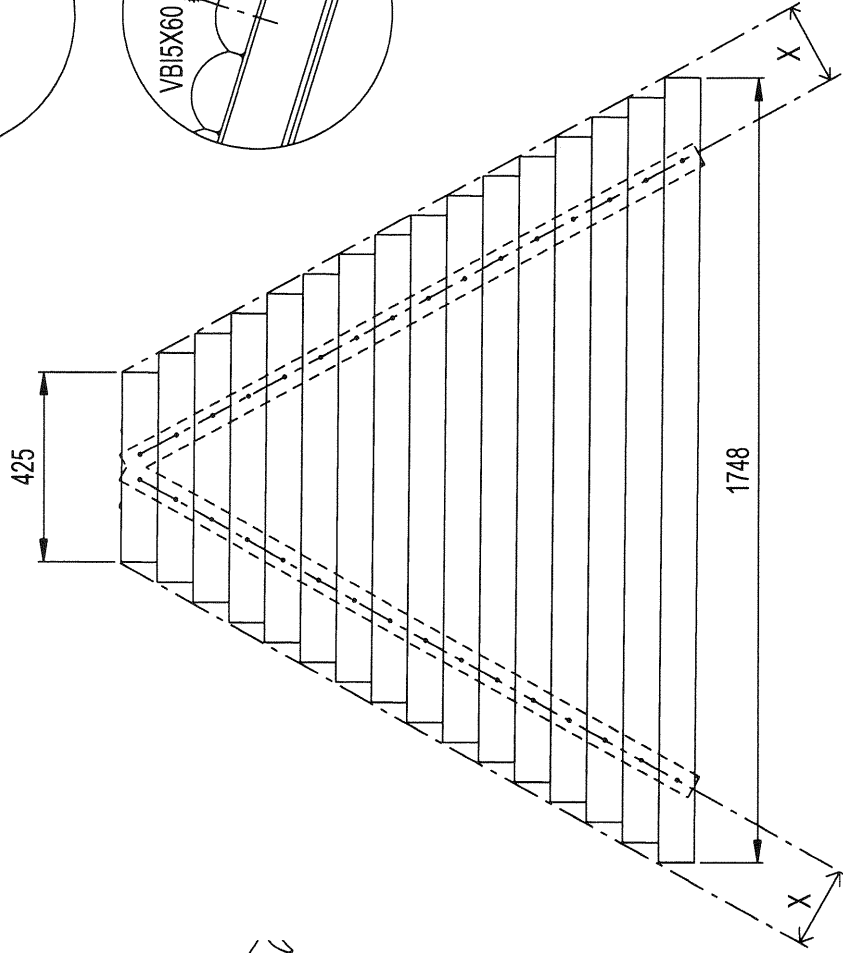
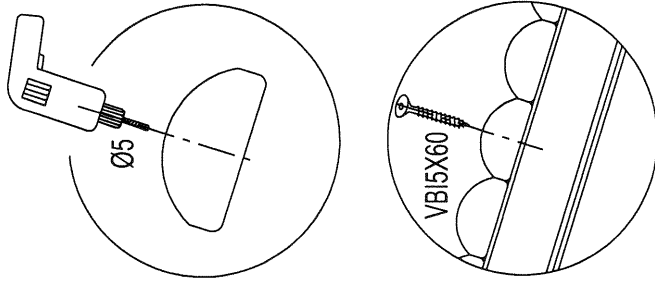


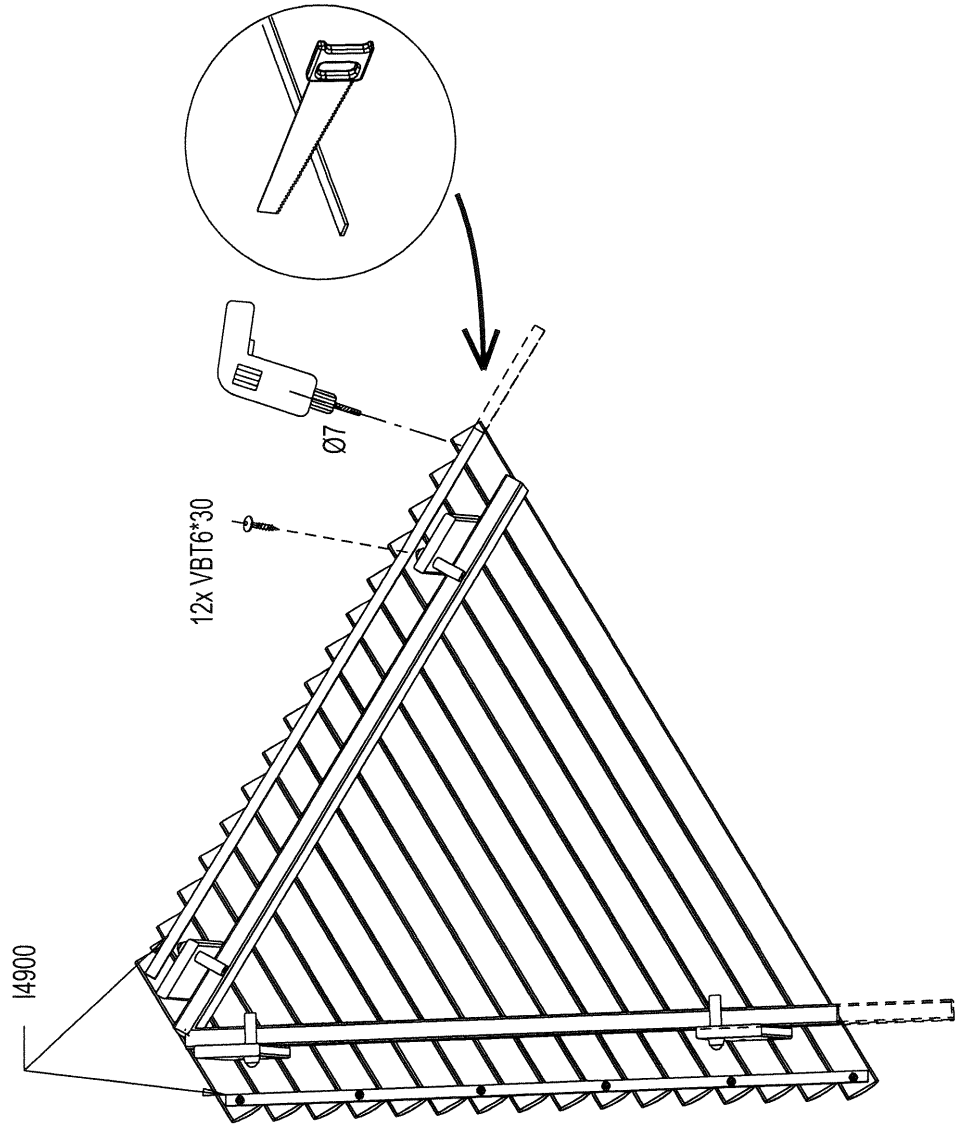
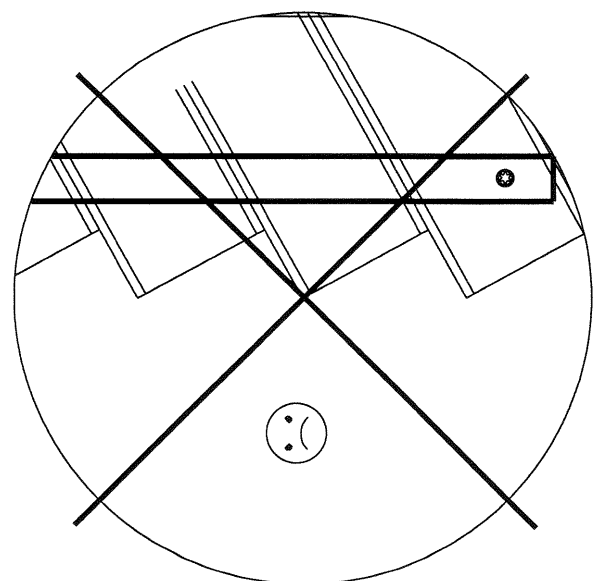
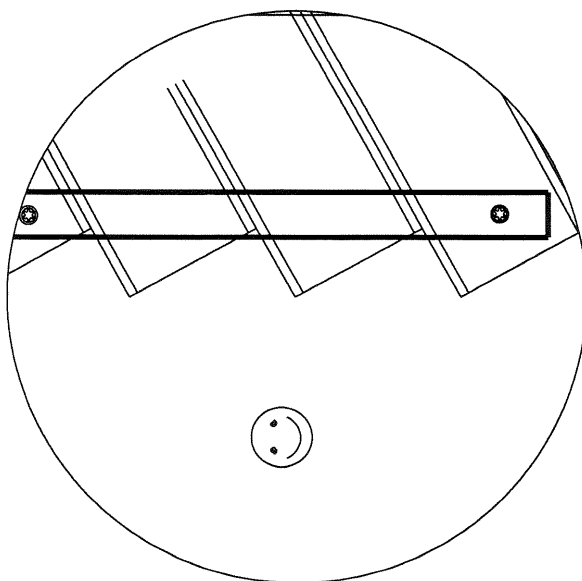
	VEFM10	6
	VCBHC10x60I	6
	MU4900	3
	M10310N	9
	VBT7x60	12
	M10440N	9
	VTF10X140	3
	M4040	6
	VCBHC18x30I	6

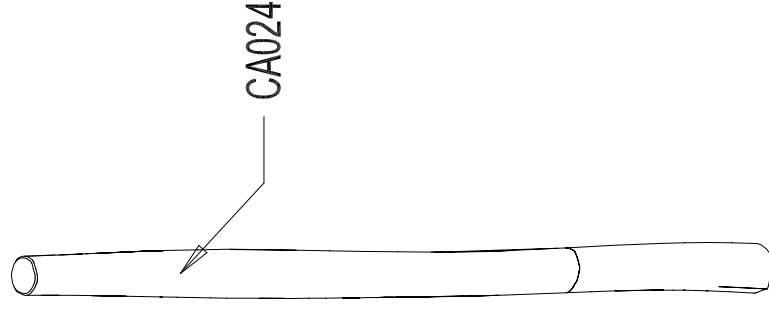
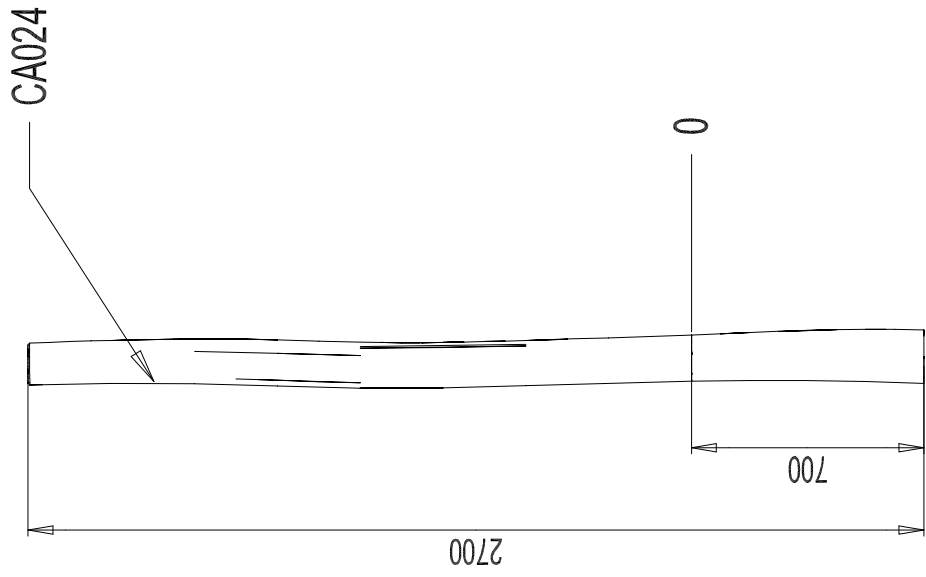
X3

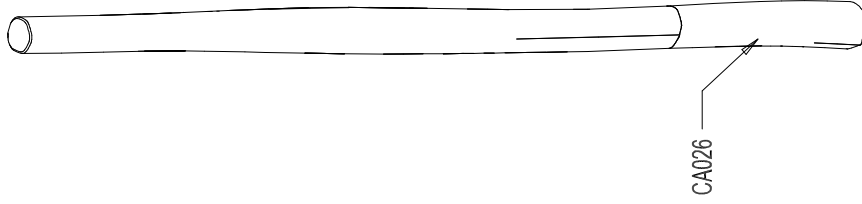
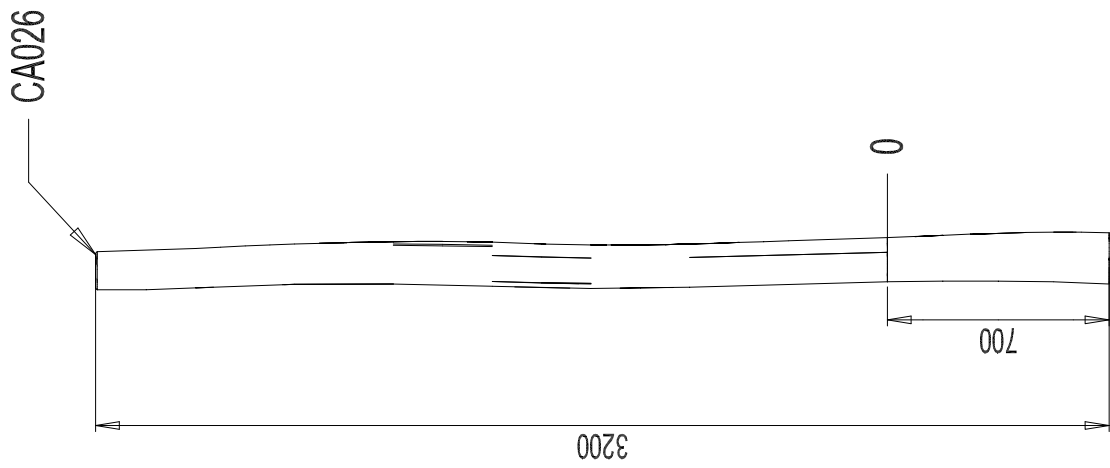




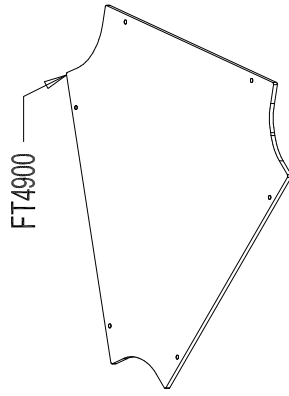
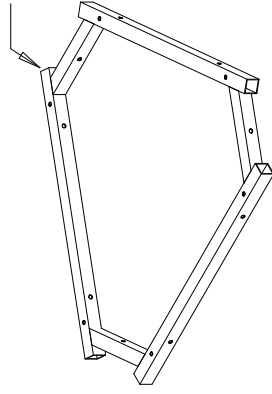






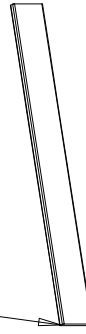


LG4900

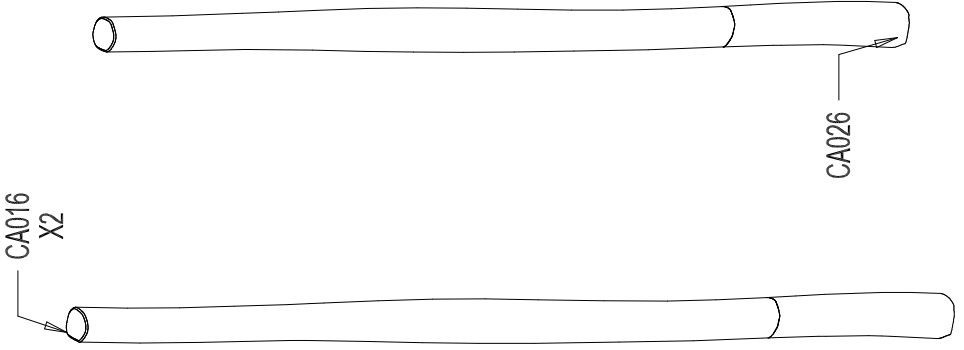


FT4900

D4901
X3

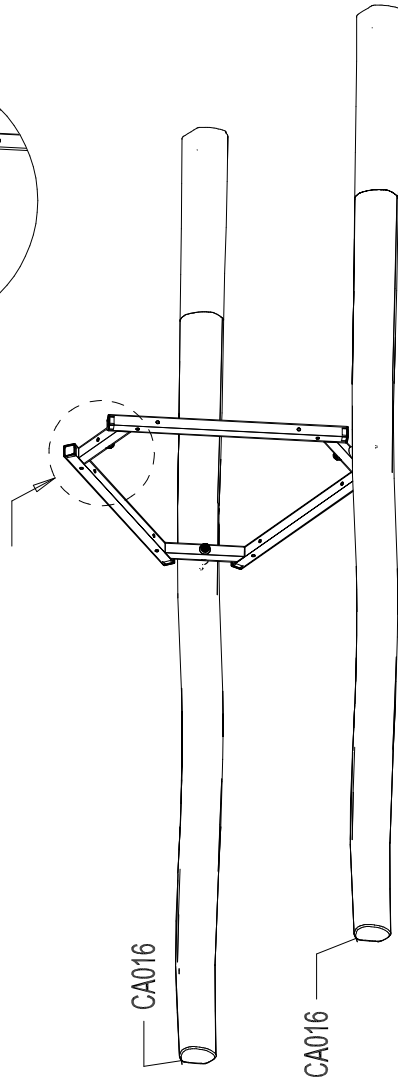
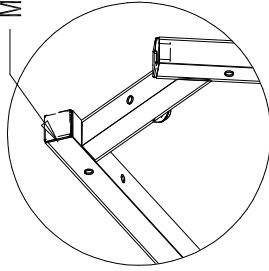


CA016
X2



CA026

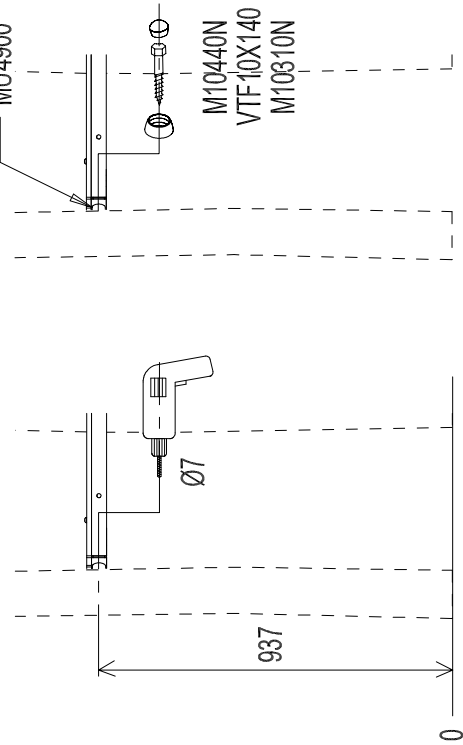
M4040
X6



CA016

CA016

MU4900



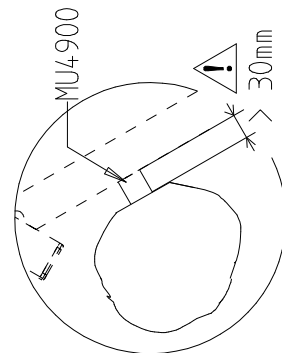
937

Ø7

M10440N
VTF10X140
M10310N

0

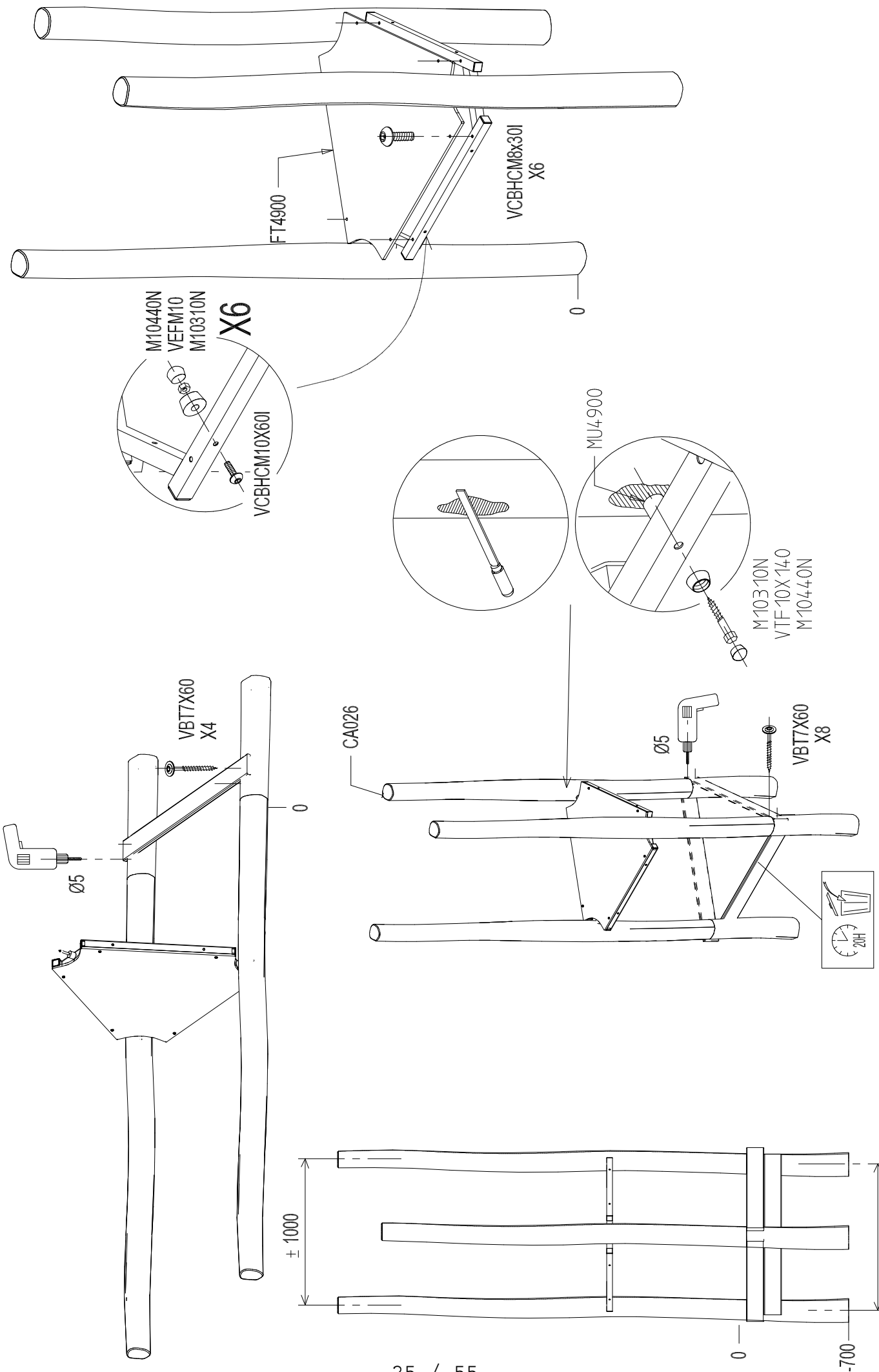
X3



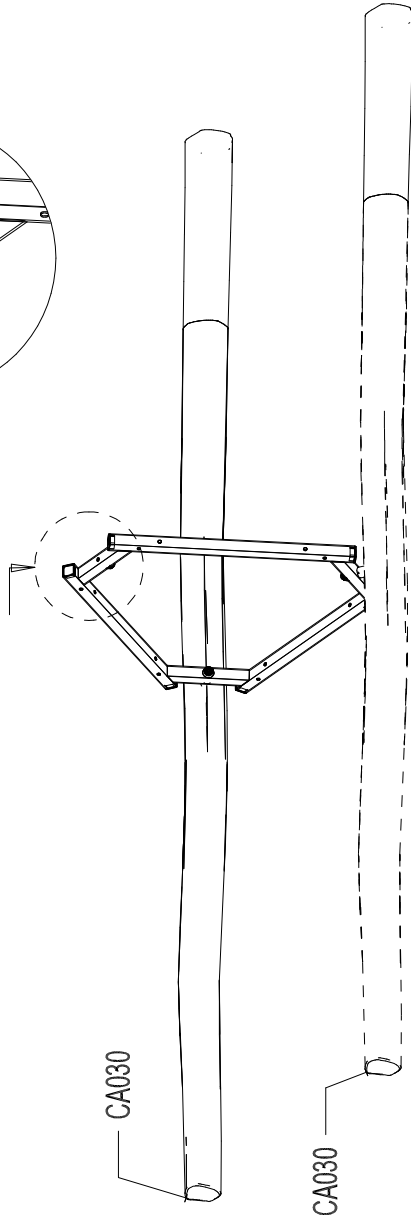
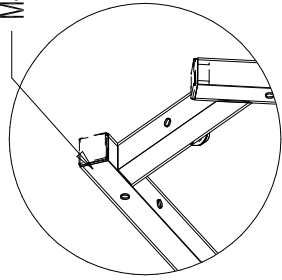
MU4900

30mm

	VEFM10	6
	VCBHC10X60I	6
	MU4900	3
	M10310N	9
	VBT7X60	12
	M10440N	9
	VTF10X140	3
	M4040	6
	VCBHC18X30I	6



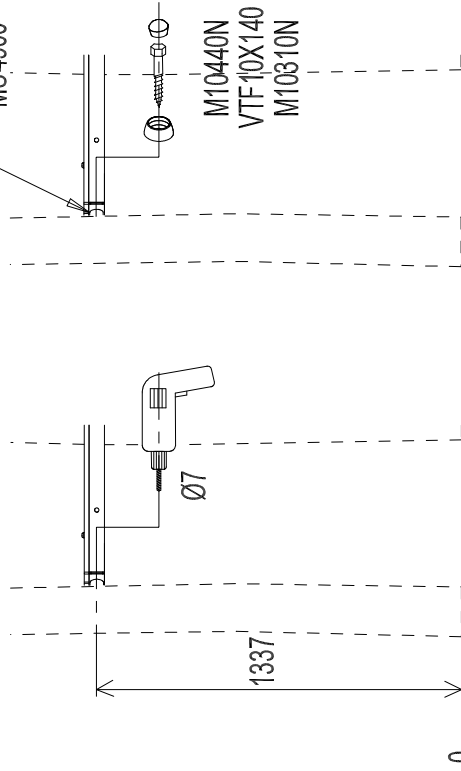
M4040
X6



CA030

CA030

MU4900



MU4900

Ø7

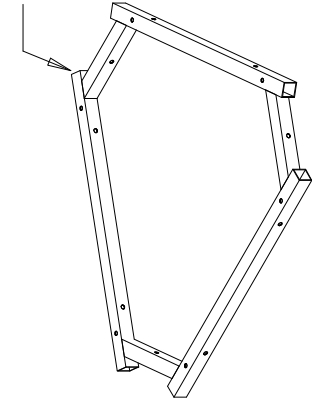
1337

0

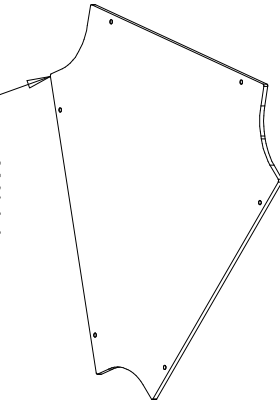
M10440N
VTF10X140
M10310N

X3

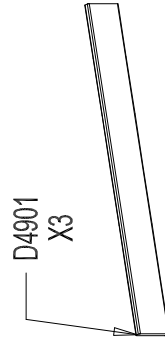
LG4900



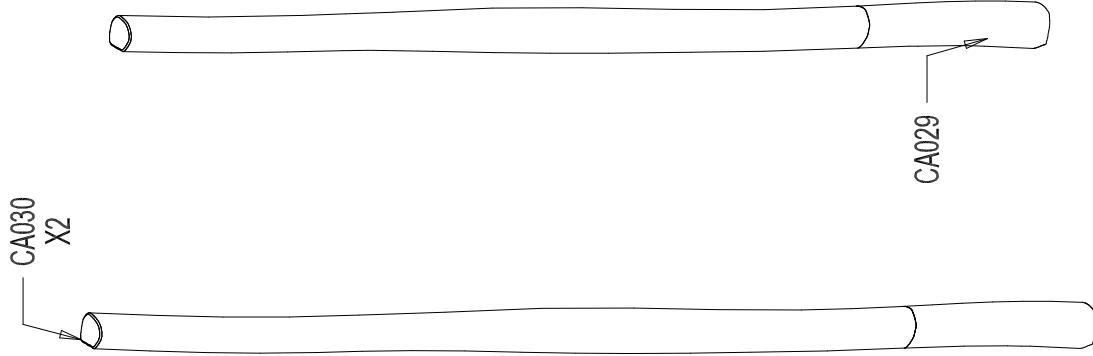
FT4900



D4901
X3

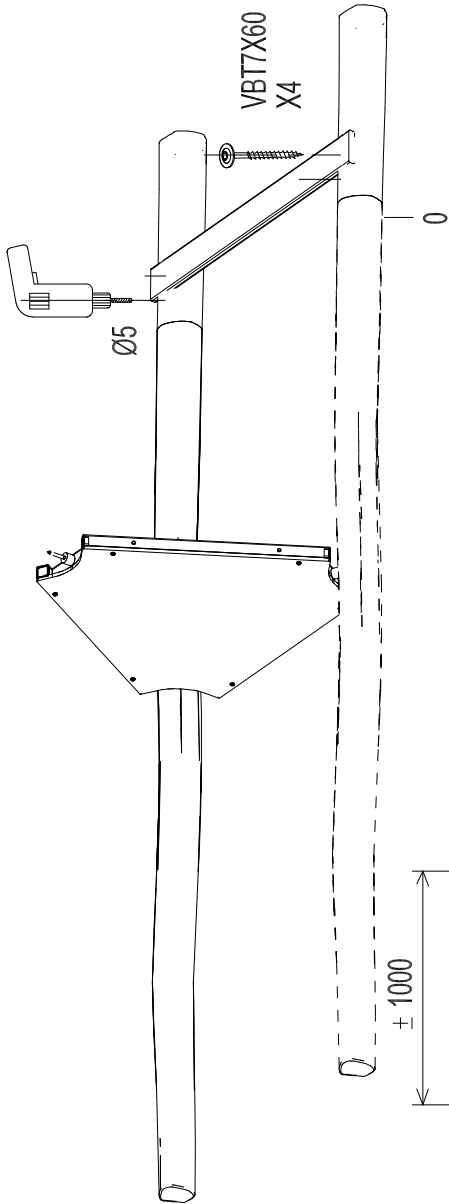
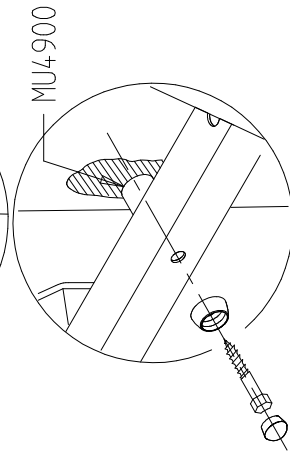
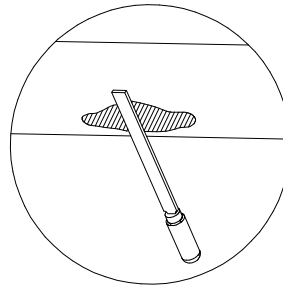
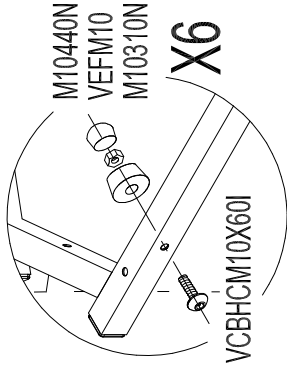
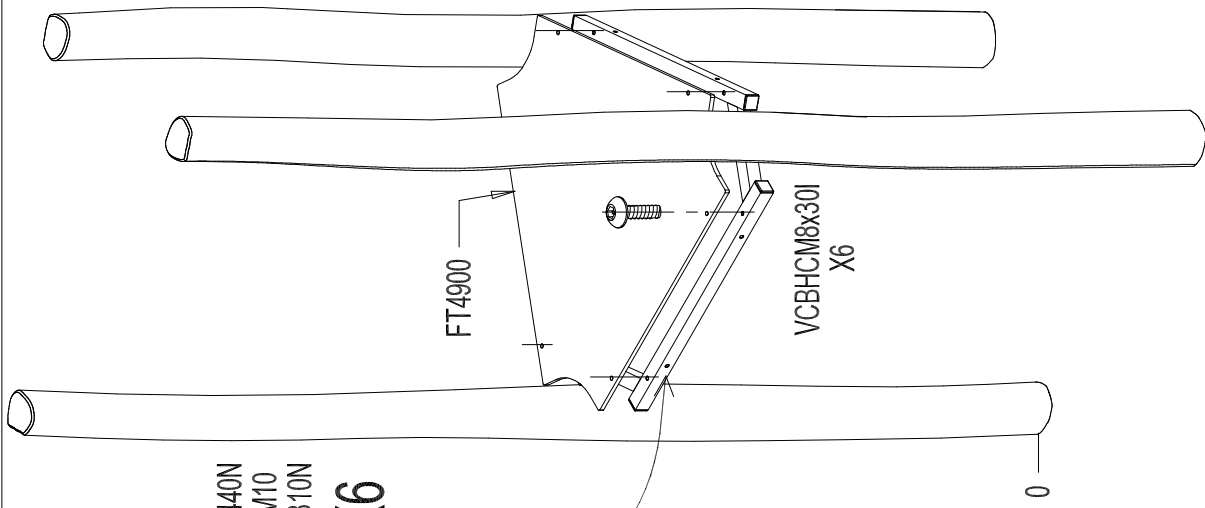


CA030
X2

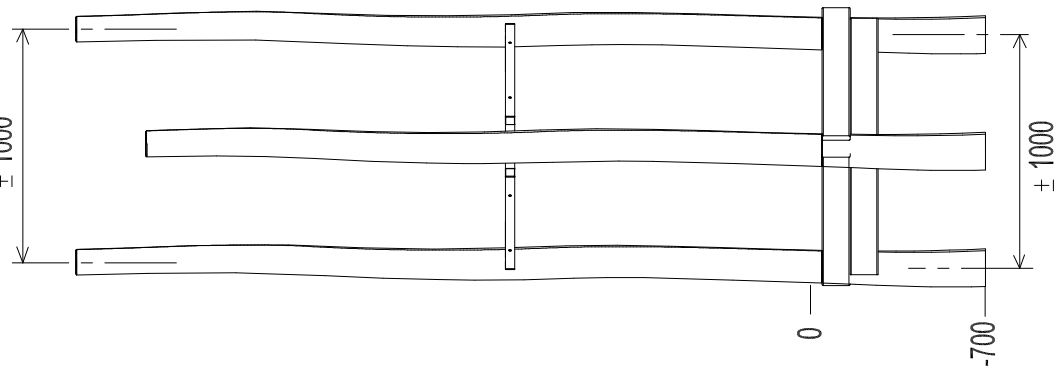
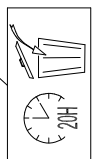
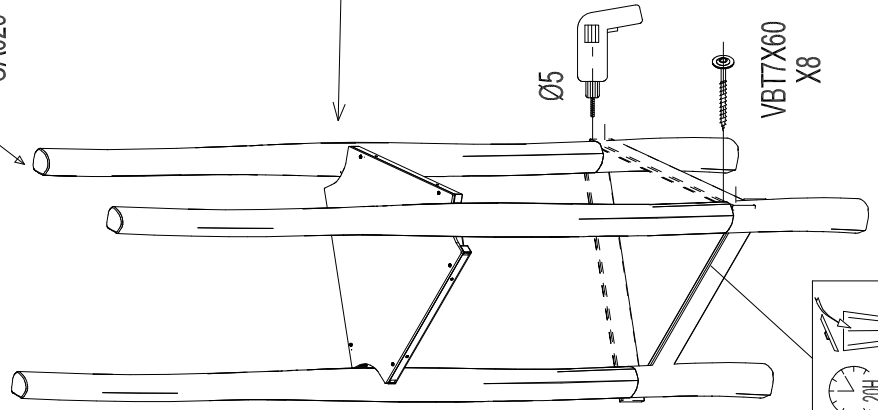


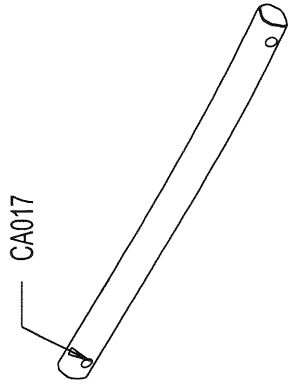
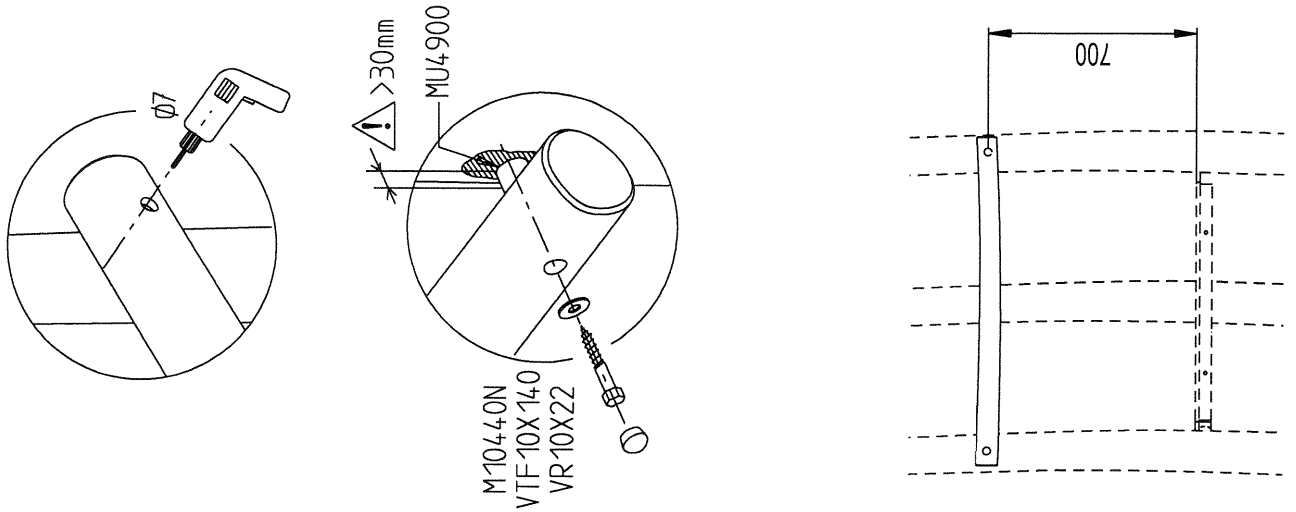
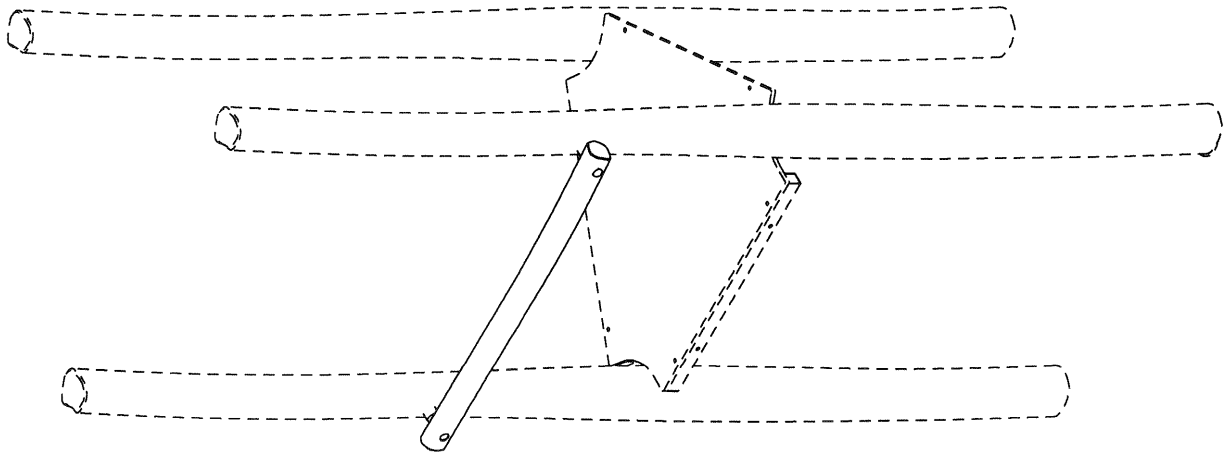
CA029

	VEFM10	6
	VCBHC10x60I	6
	MU4900	3
	M10310N	9
	VBT7X60	12
	M10440N	9
	VTF10X140	3
	M4040	6
	VCBHC18x30I	6

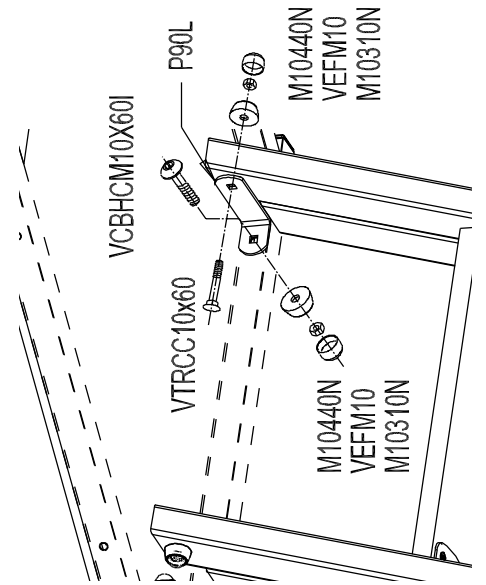
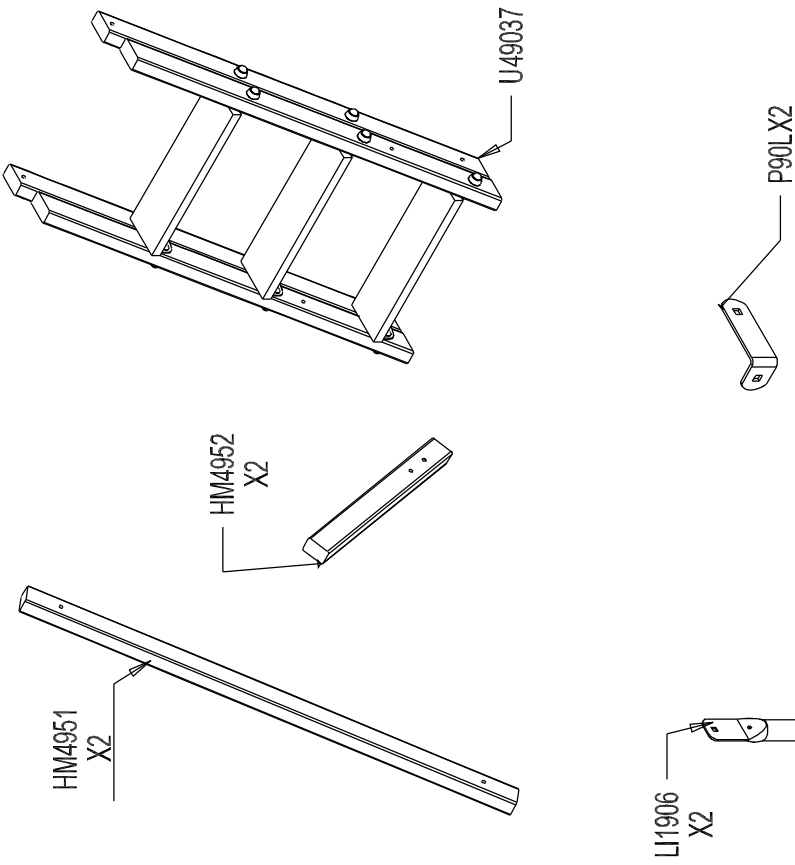
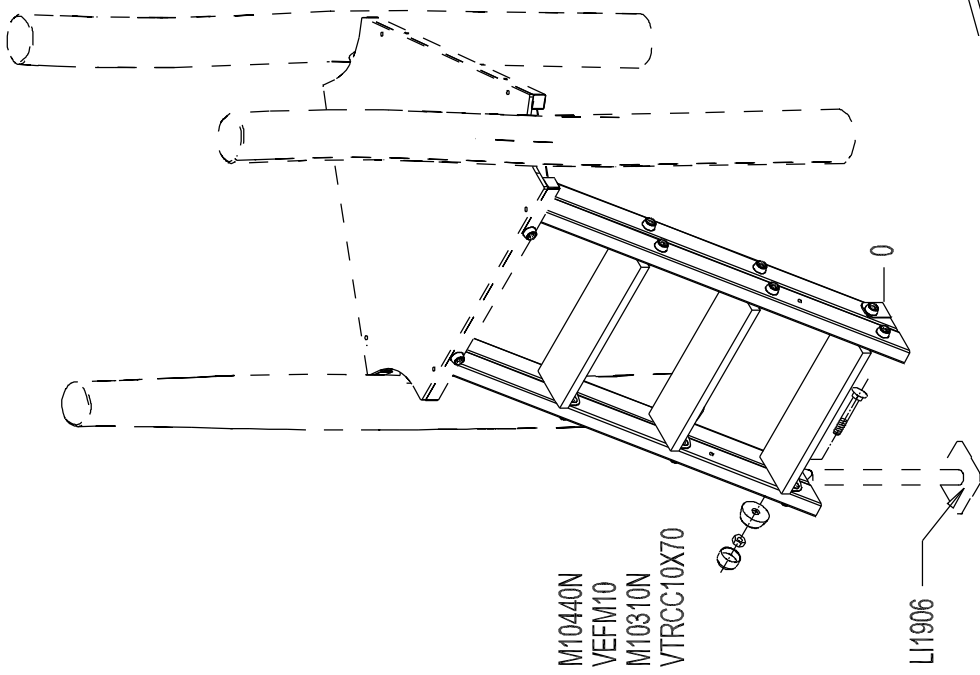


CA029

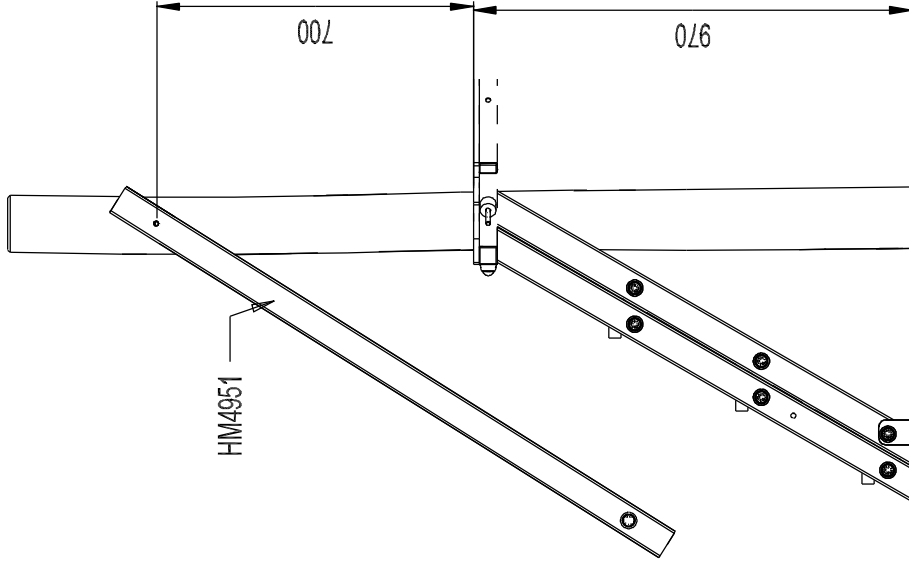
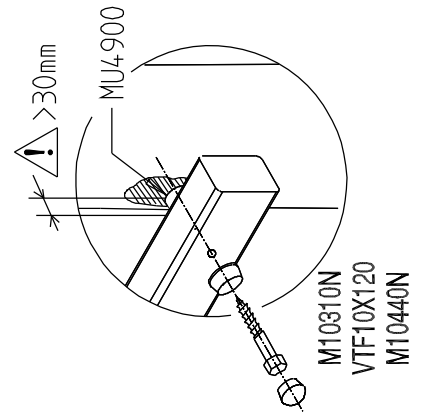
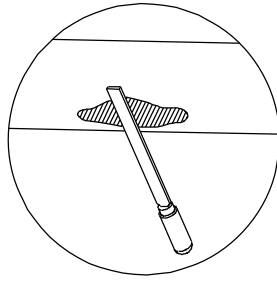
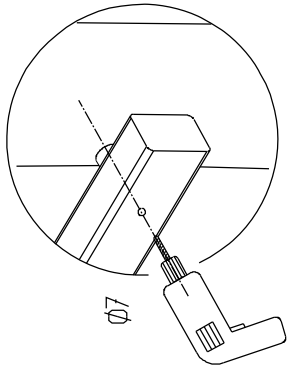


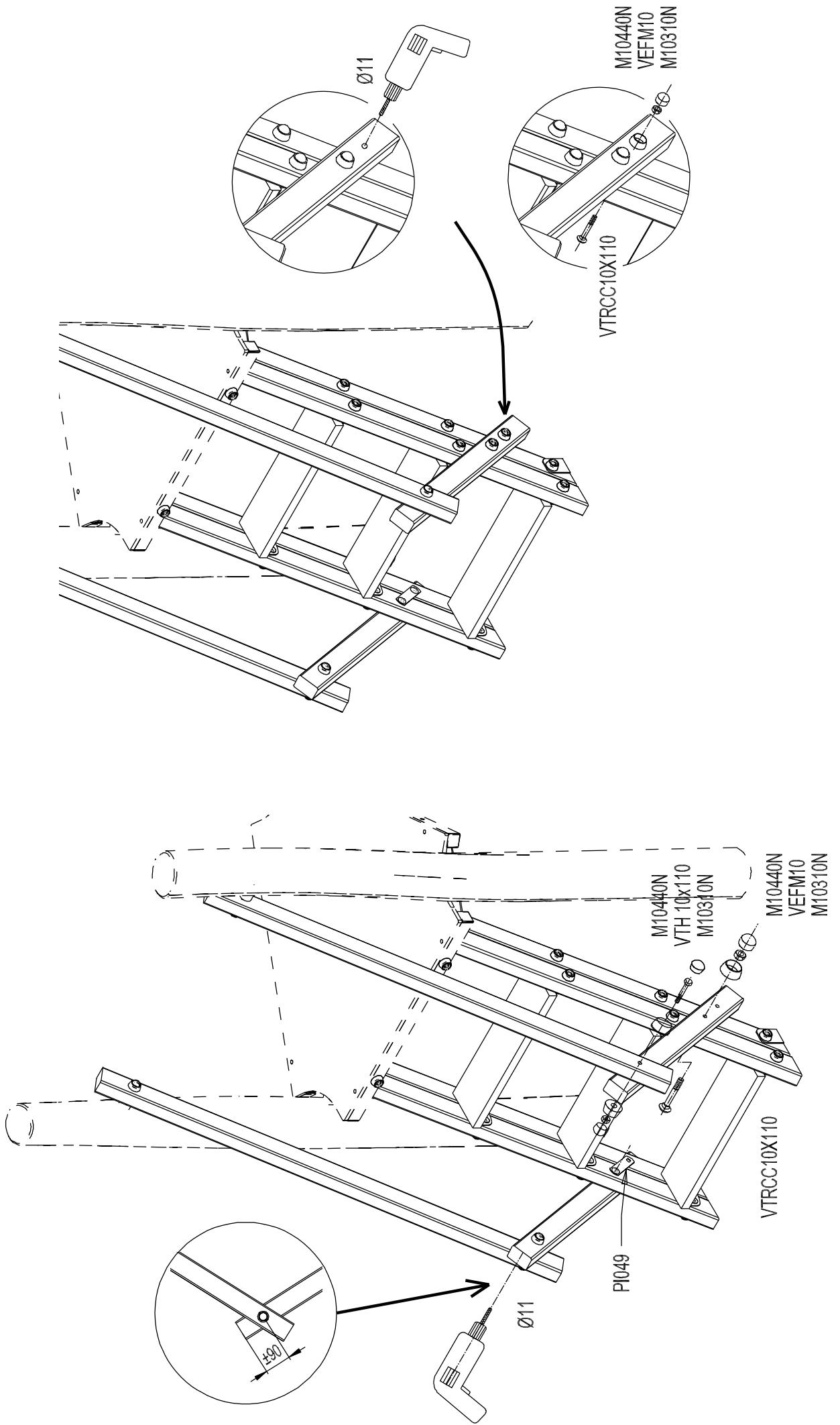


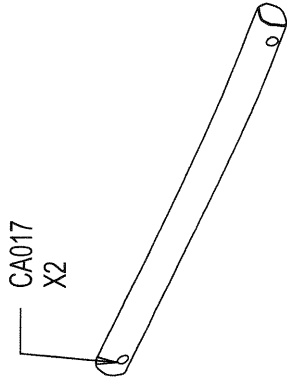
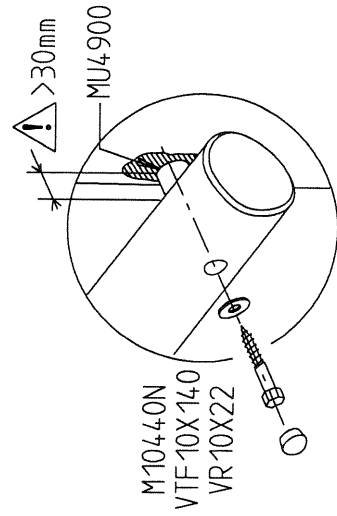
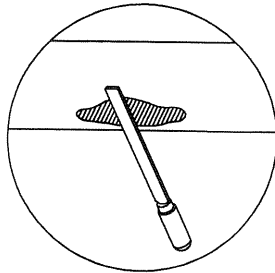
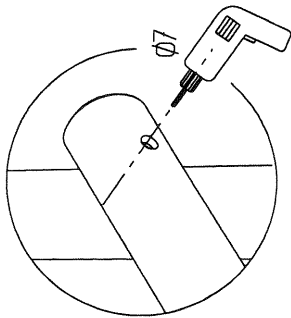
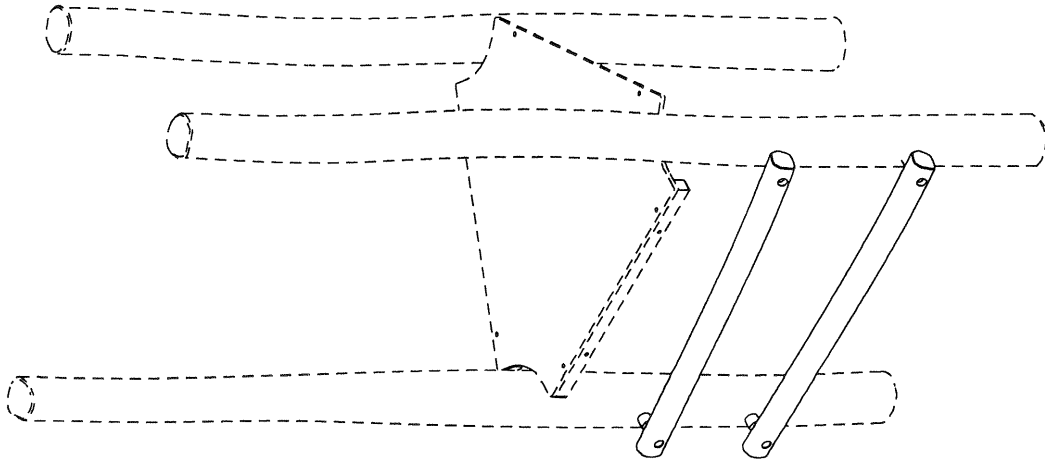
	VR10X22		2
	MU4900		2
	M10440N		2
	VTF10X140		2



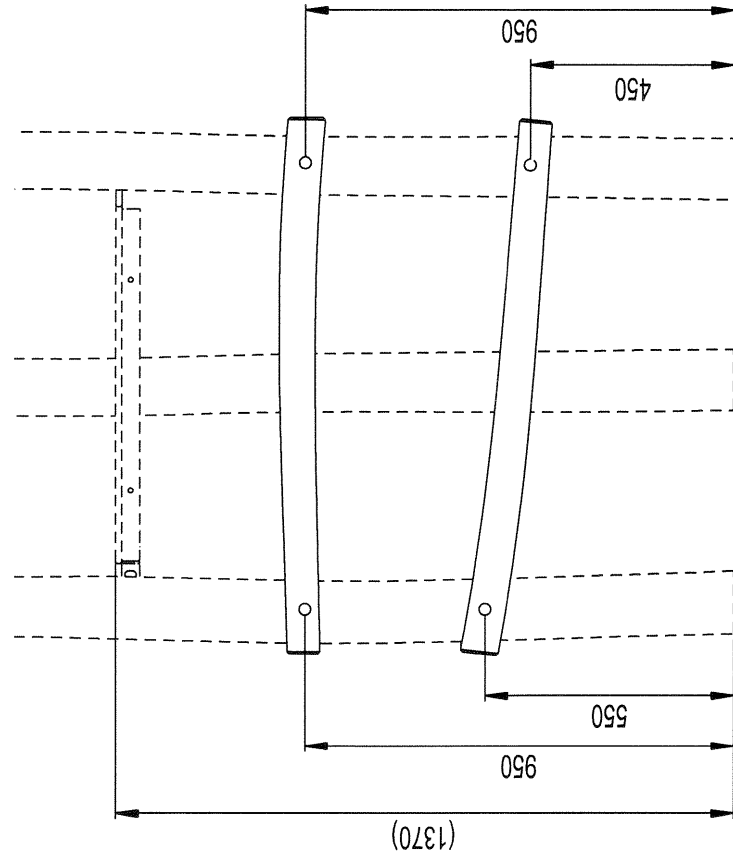
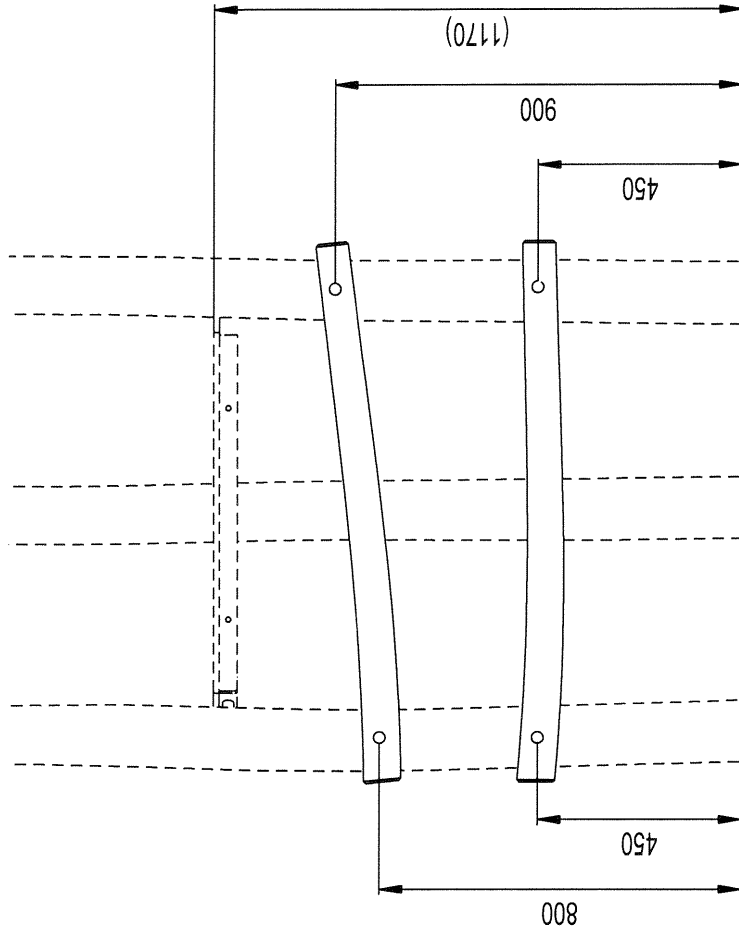
	M10310N	14
	VEFM10	12
	VCBHC M10X60I	2
	VTRCC10x60	4
	VTRCC10X110	4
	VR10X22	2
	MU4900	2
	M10440N	16
	VTF10X120	2
	VTH10X110	2
	VTRCC10x70	2

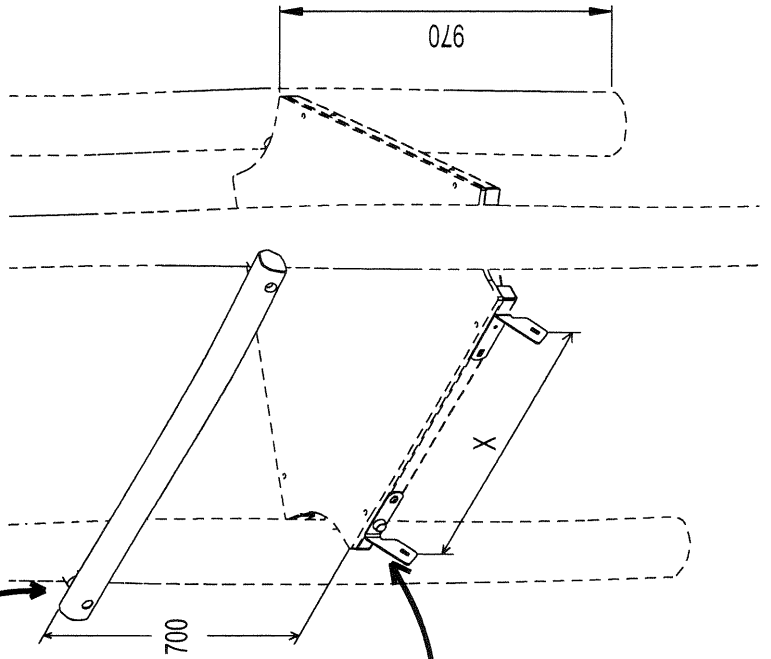
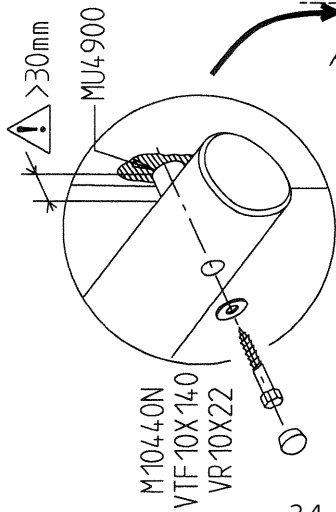
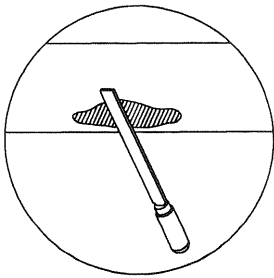




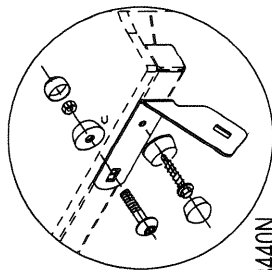


	VR10X22	4
	MU4900	4
	M10440N	4
	VTF10X140	4

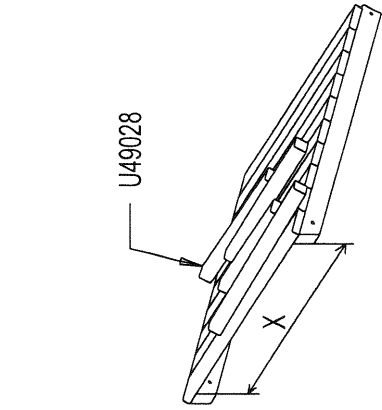




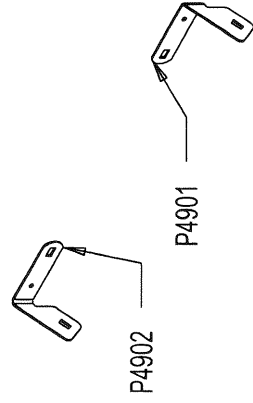
M10440N
VEFM10
M10310N
VTRCC10X60



M8440N
VTH6X30A
M8310N



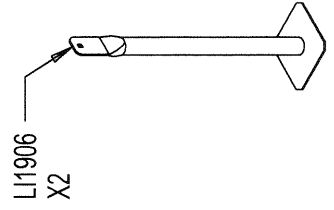
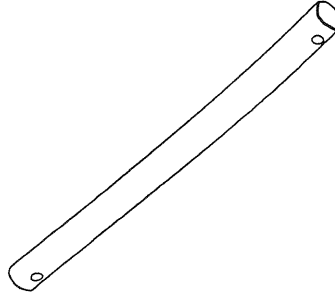
U49028



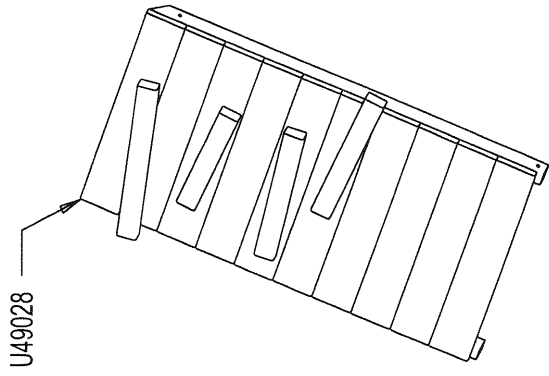
P4902

P4901

CA017

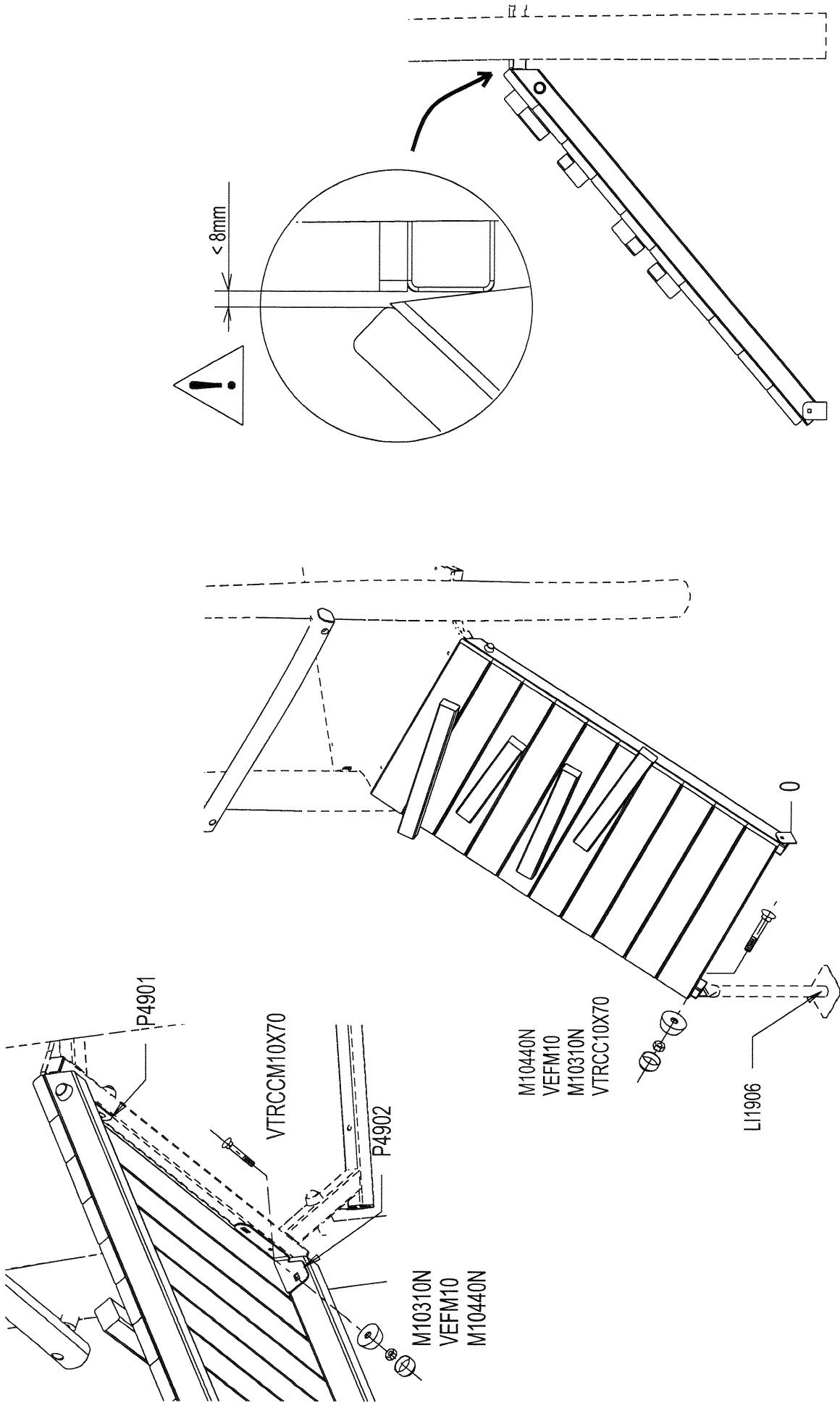


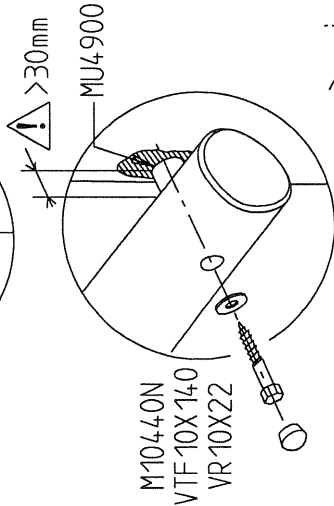
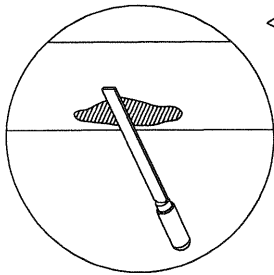
LI1906
X2



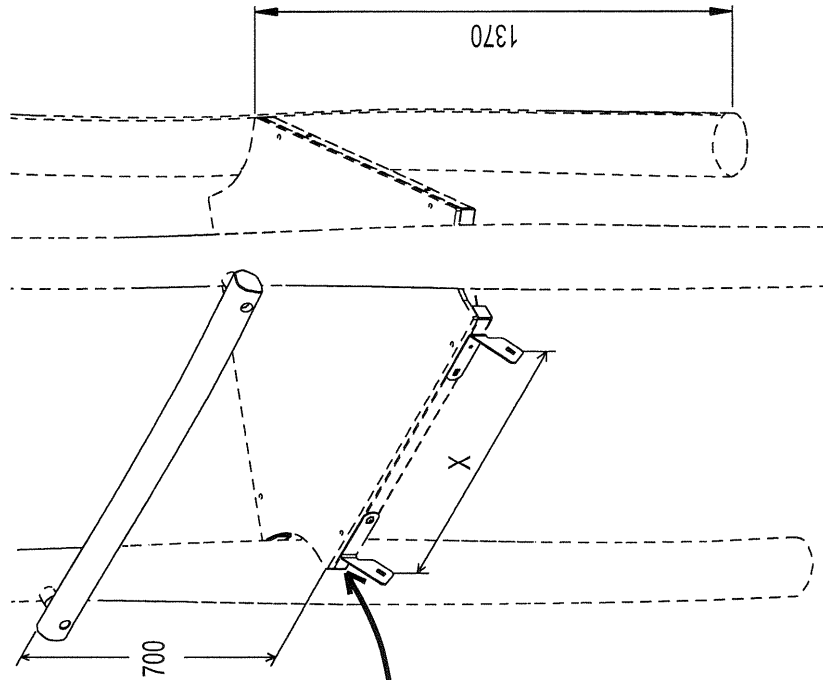
U49028

	VTH6X30A	2
	M8440N	2
	M8310N	2
	M10310N	6
	VEFM10	6
	VCBHC10X60I	2
	VTRCC10X60	4
	VR10X22	2
	MU4900	2
	M10440N	10
	VTF10X140	2

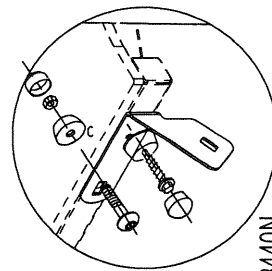




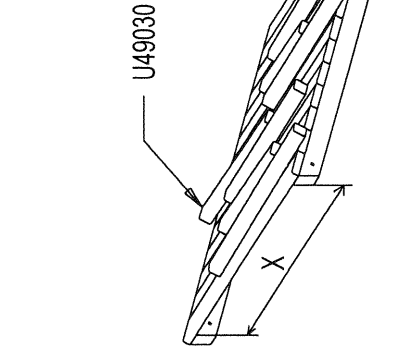
M10440N
VTF-10X140
VR-10X22



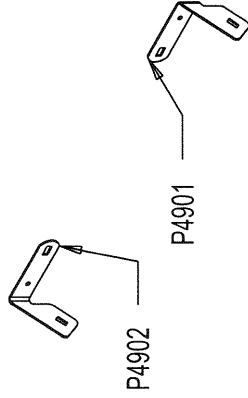
M10440N
VEFM10
M10310N
VCBHC10X60



M8440N
VTH6X30A
M8310N



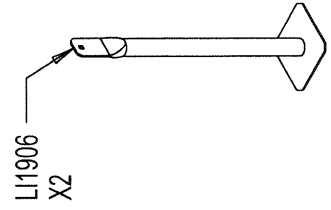
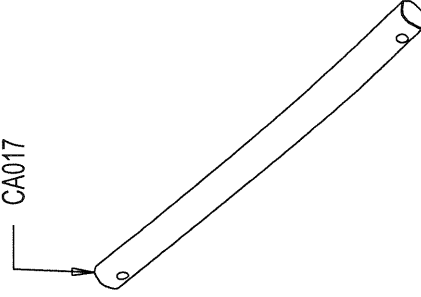
U49030



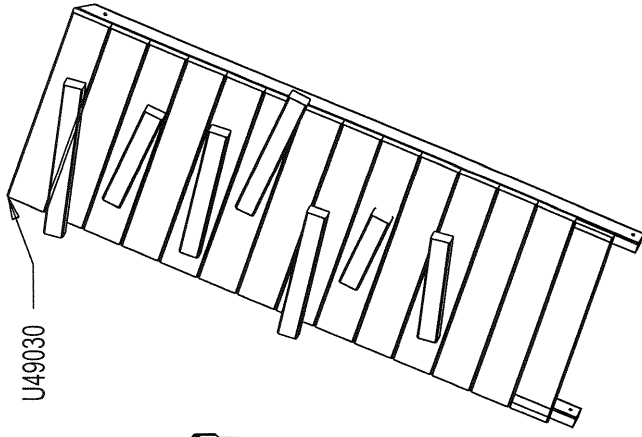
P4902

P4901

CA017

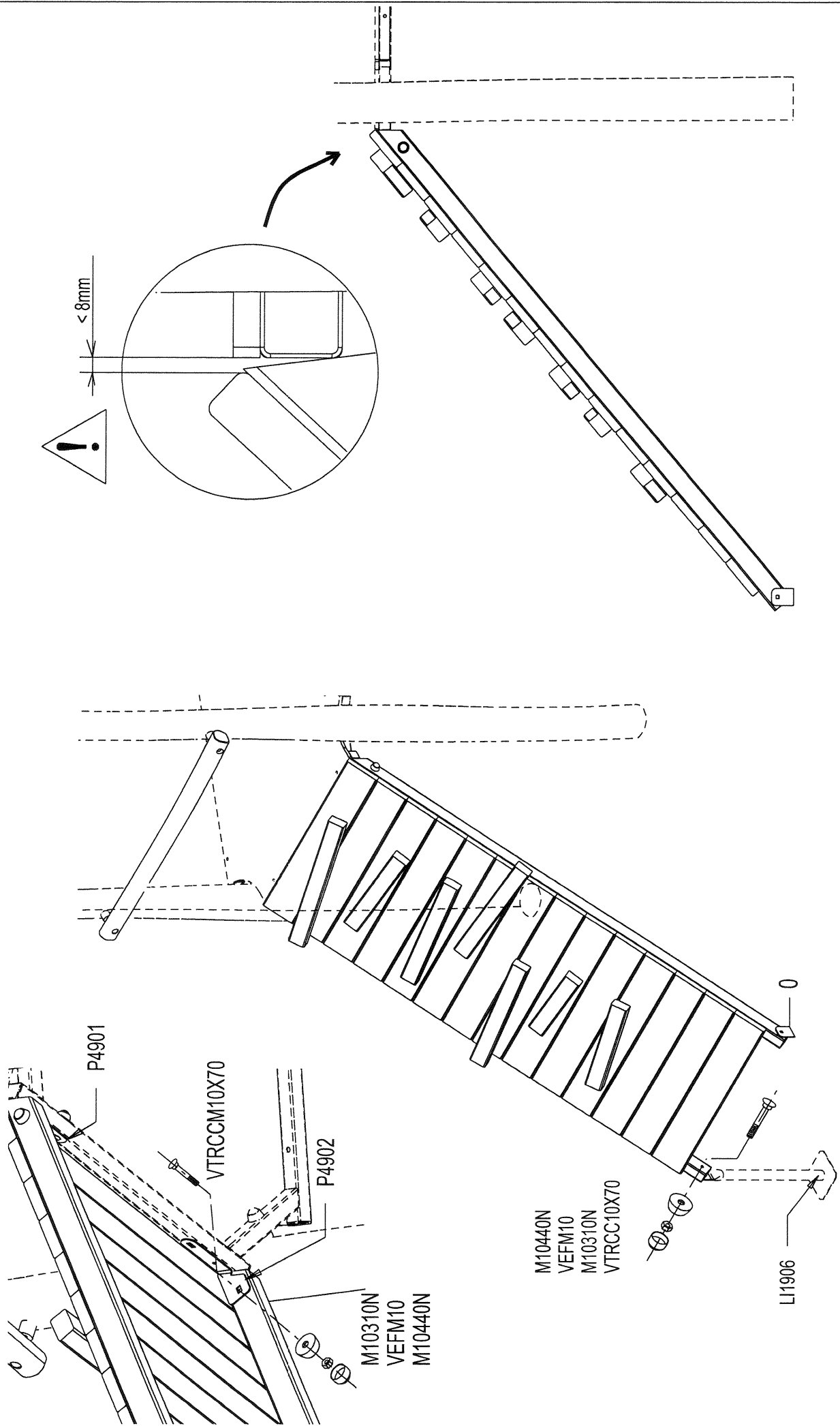


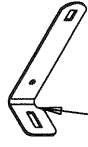
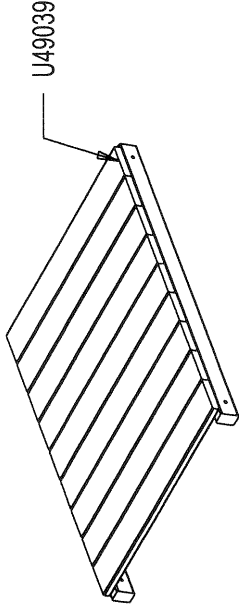
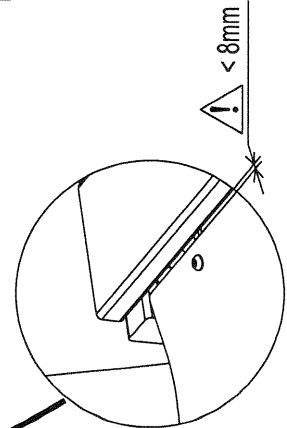
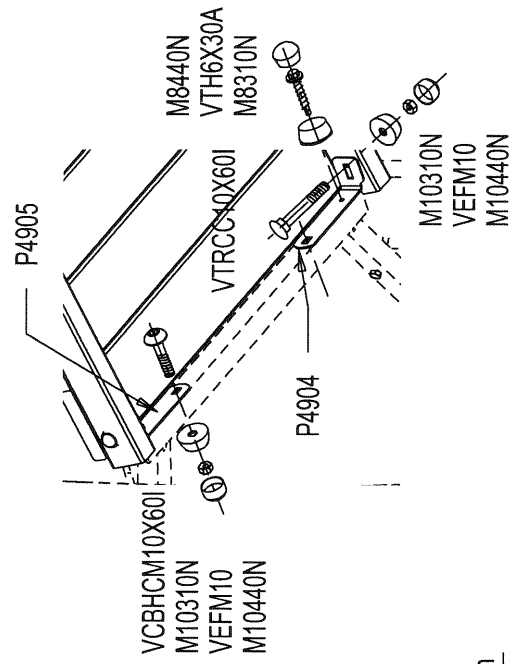
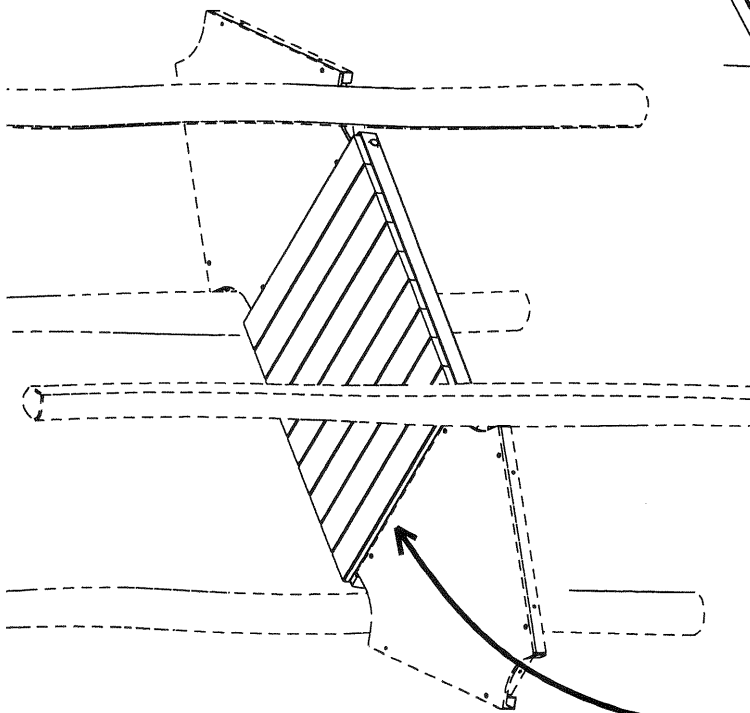
L1906
X2



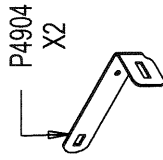
U49030

	VTH6X30A	2
	M8440N	2
	M8310N	2
	M10310N	6
	VEFM10	6
	VCBHC10X60	2
	VTRCC10X60	4
	VR10X22	2
	MU4900	2
	M10440N	10
	VTF10X140	2

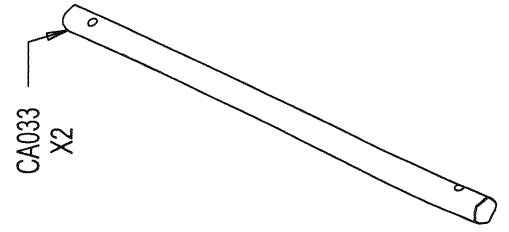




P4905
X2

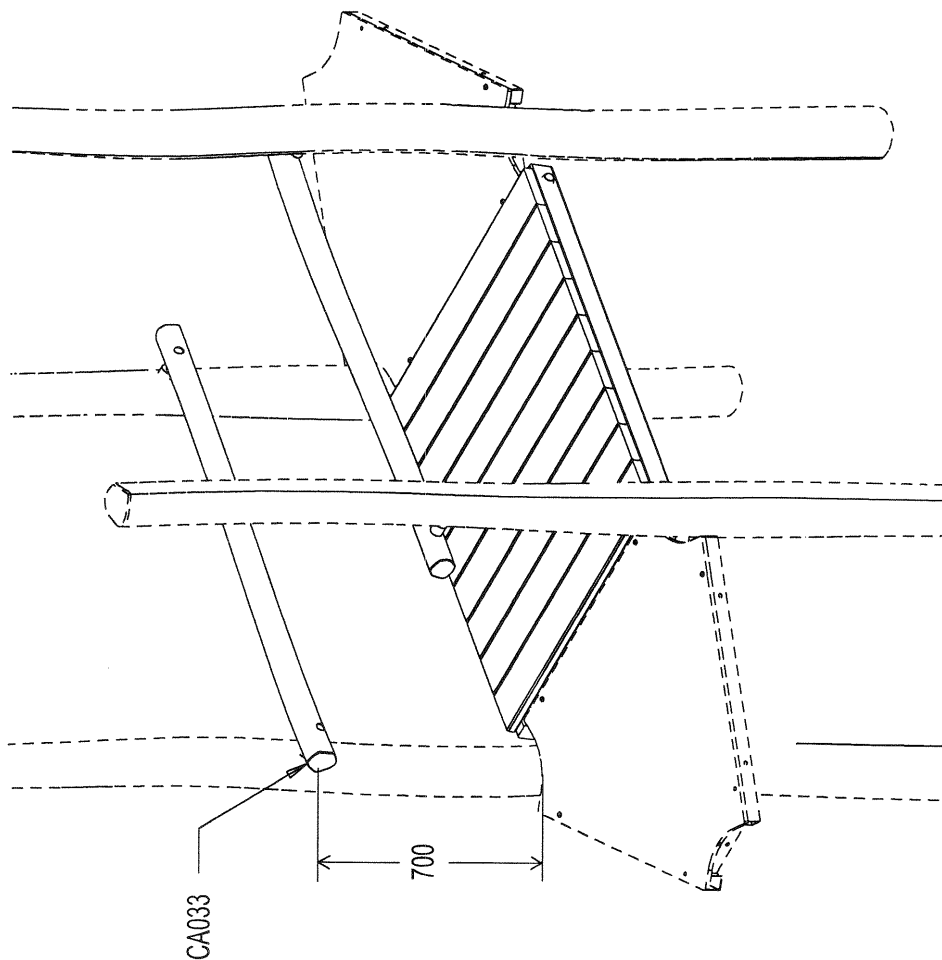
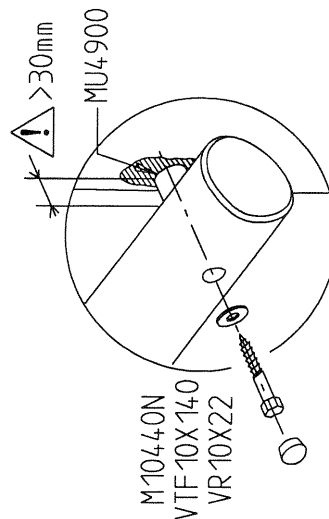
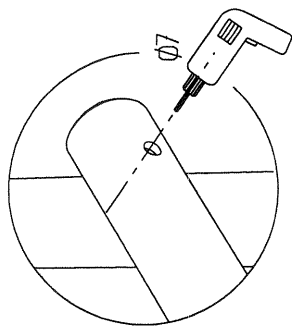
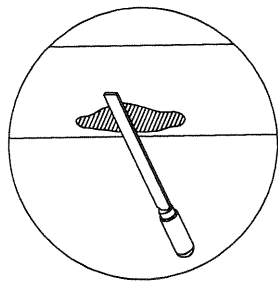


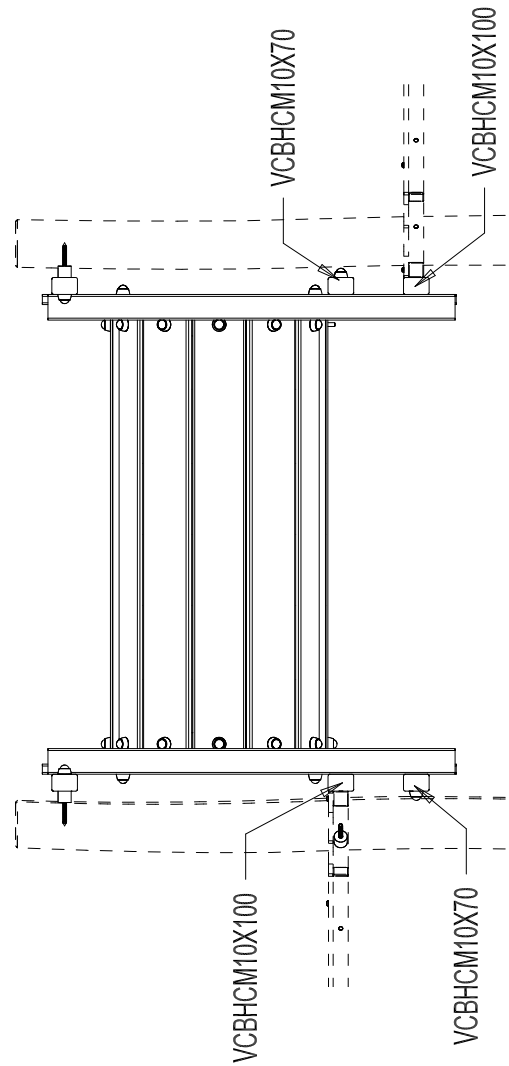
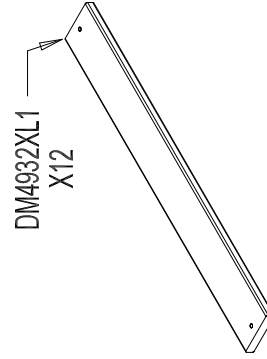
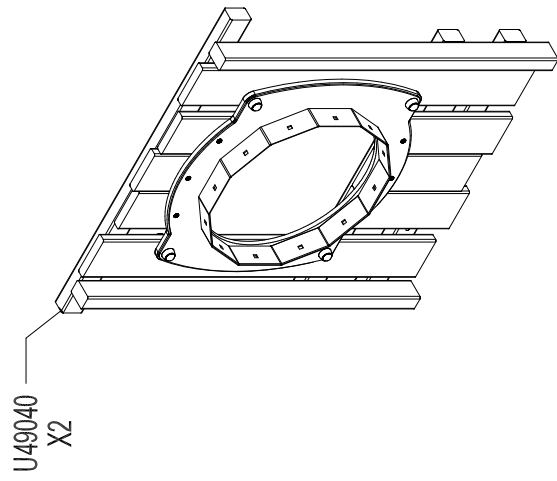
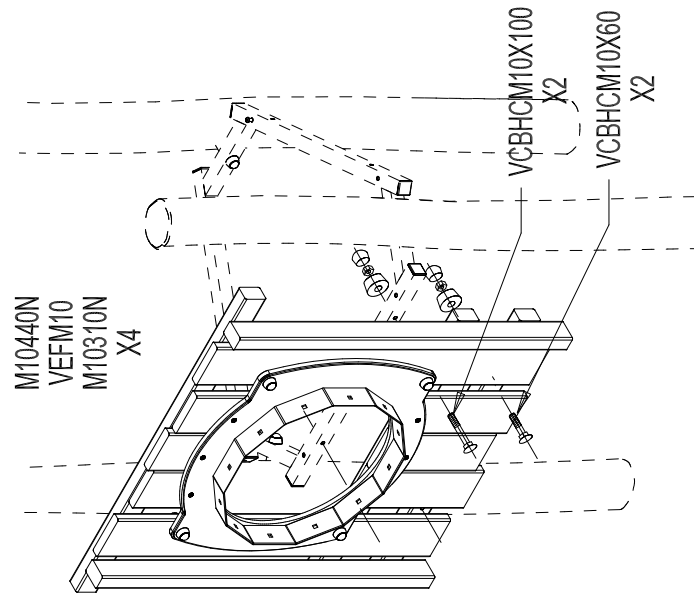
P4904
X2



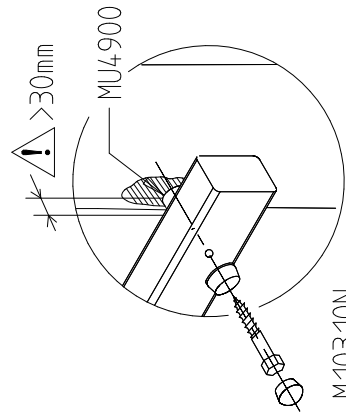
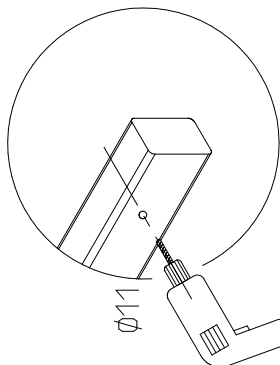
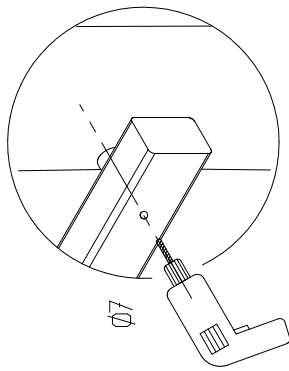
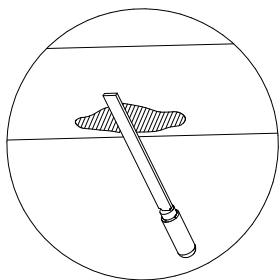
CA033
X2

	M8440N	4
	M8310N	4
	VTH6X30A	4
	M10310N	8
	VEFM10	8
	VCBHCM10X60I	4
	VTRCC10X60	4
	VR10X22	4
	MU4900	4
	M10440N	12
	VTF10X140	4

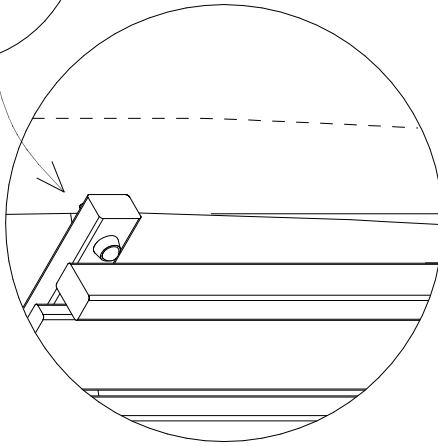
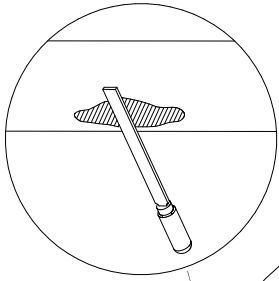




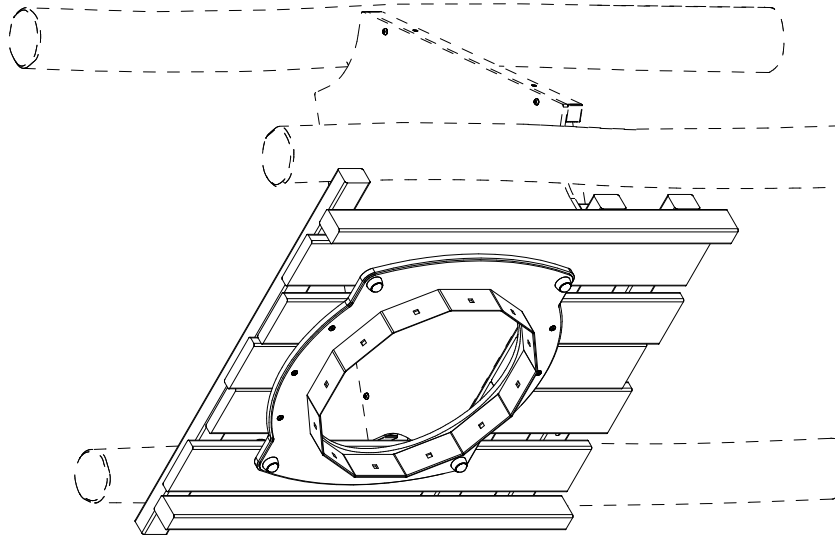
	VTRCC10X50	4
	VTRCC10X50	24
	MU4900	4
	VEFM10	36
	VTRCC10X100	4
	M10310N	36
	M10440N	36
	VTF10X140	4

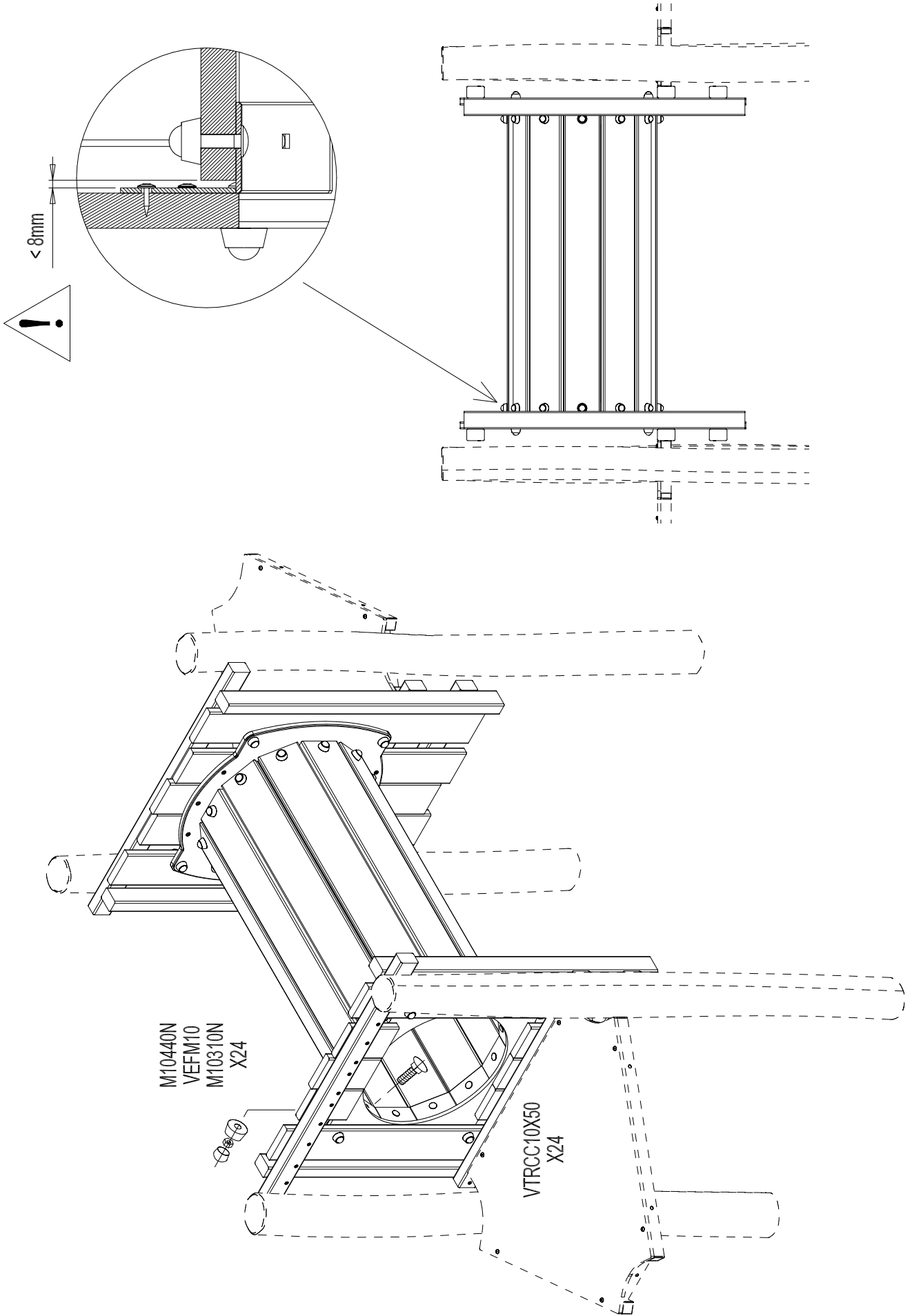


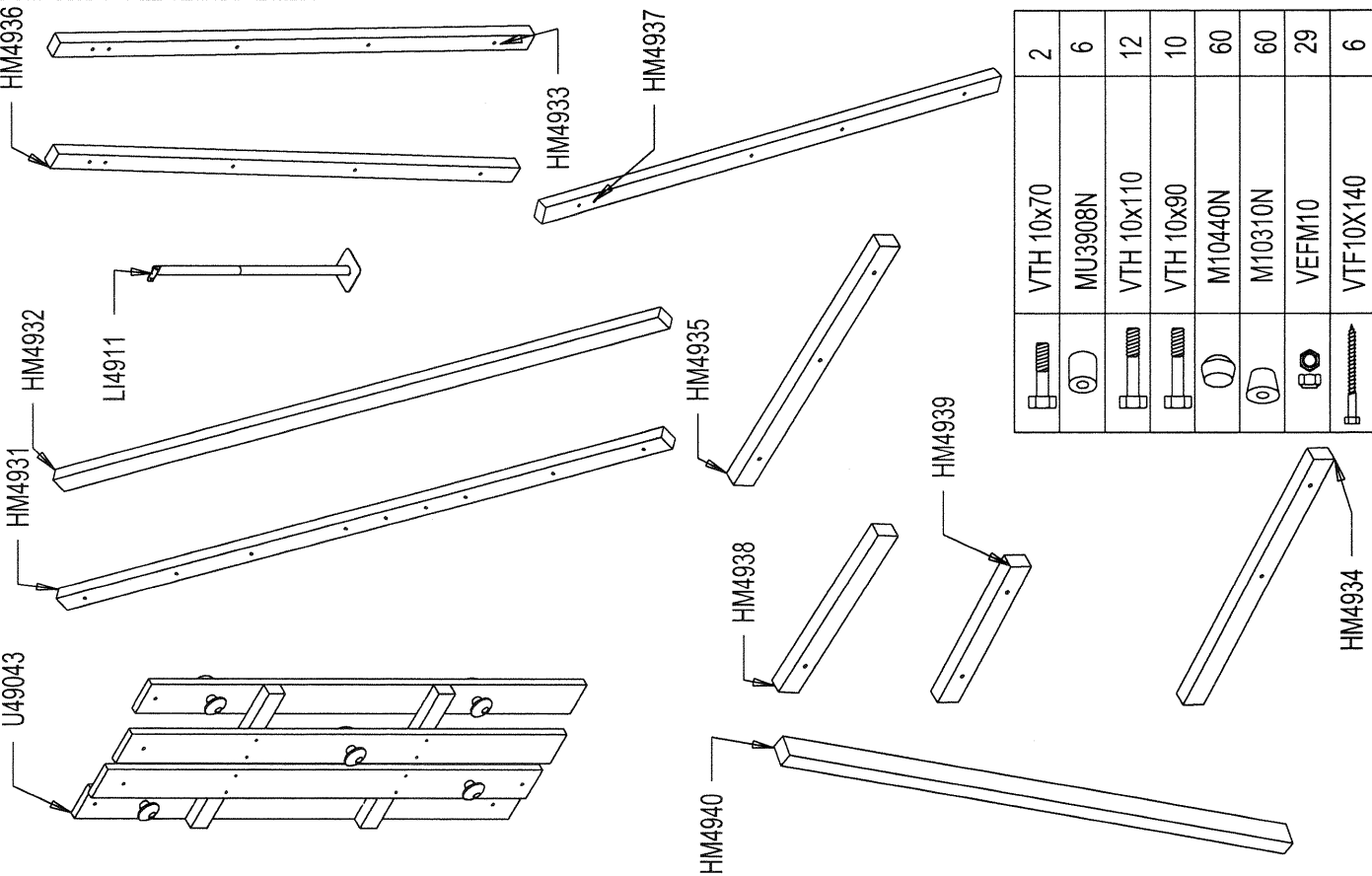
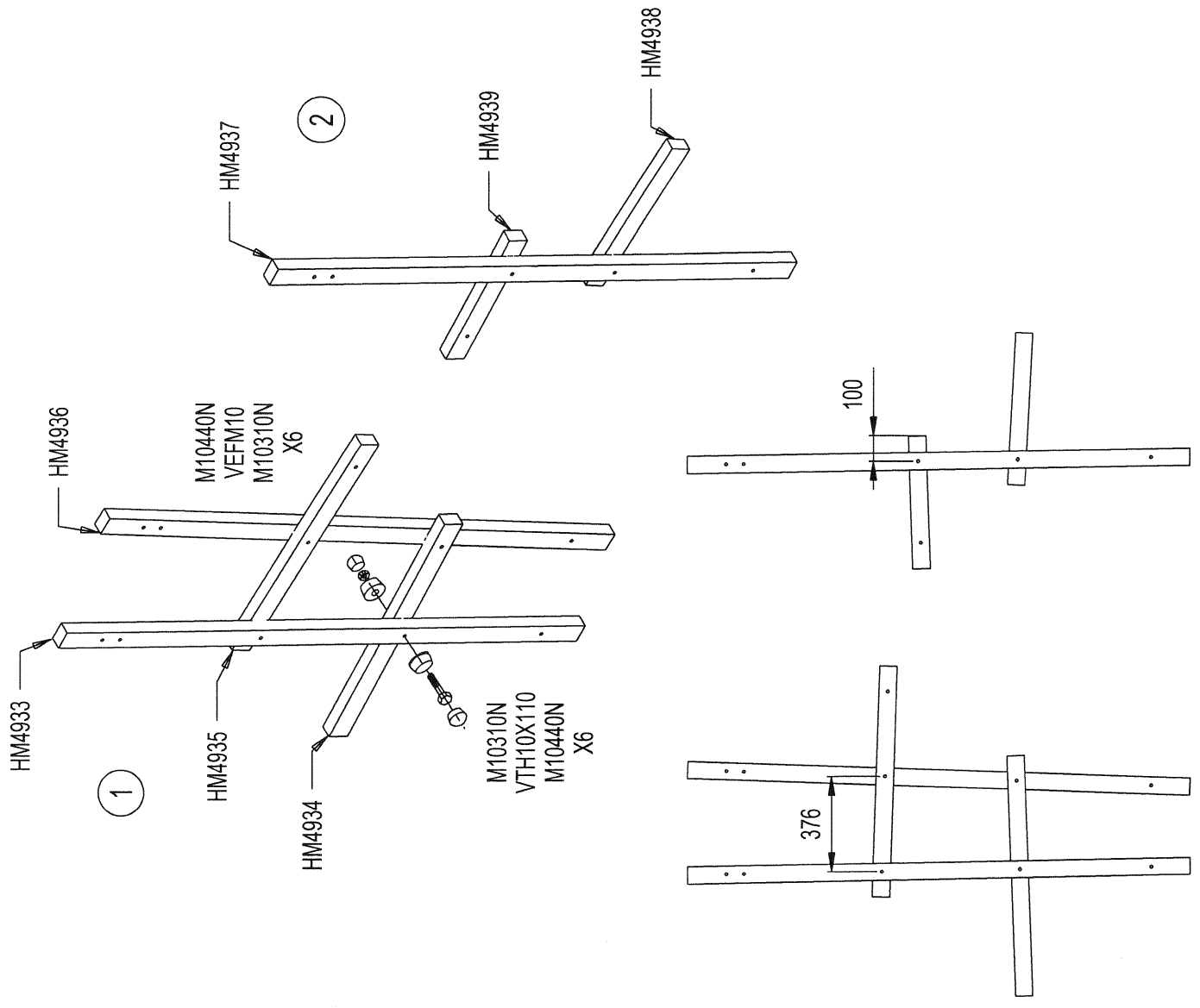
M103-10N
VTF-10X140
M104-40N



! ☺
< 89mm

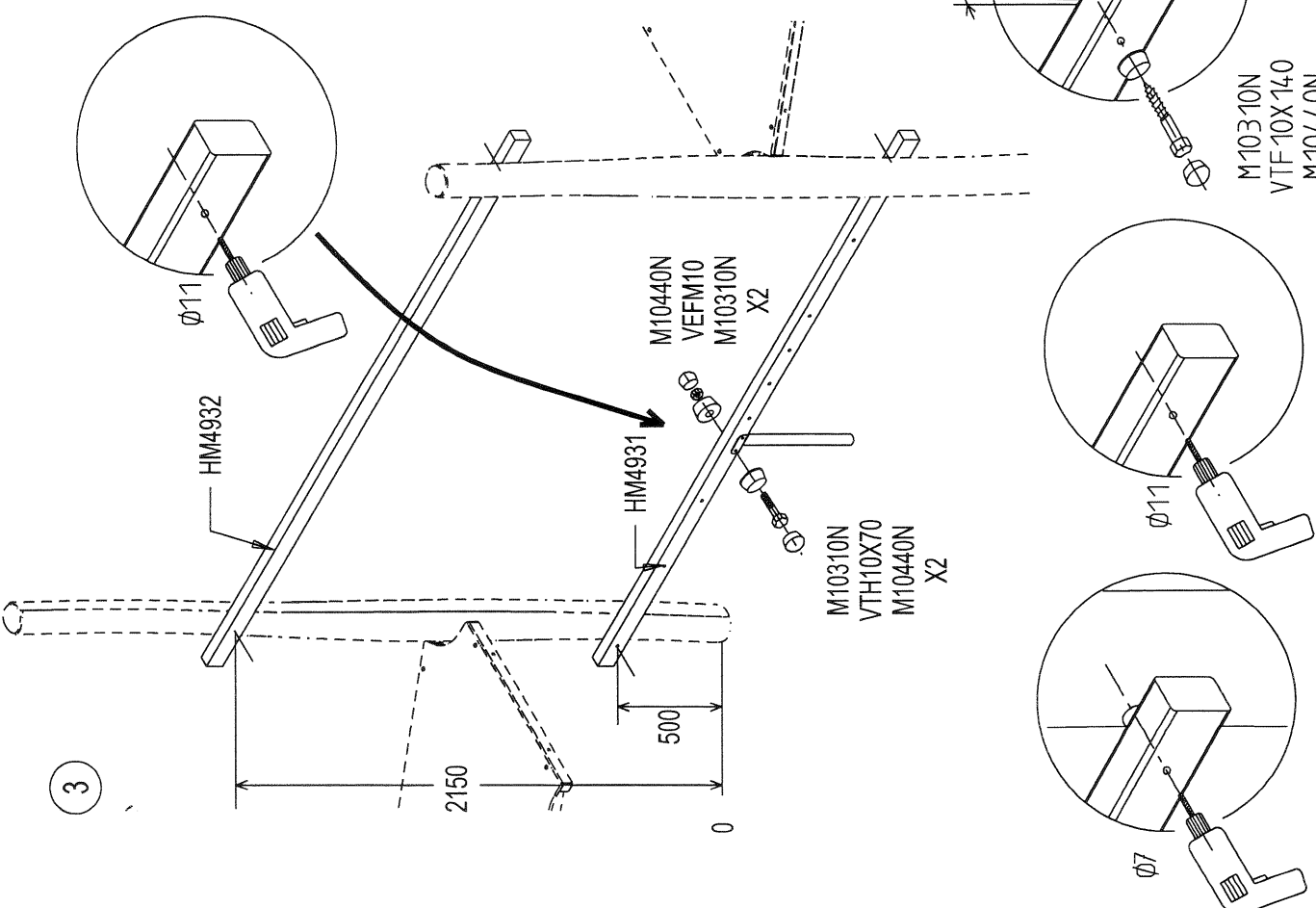




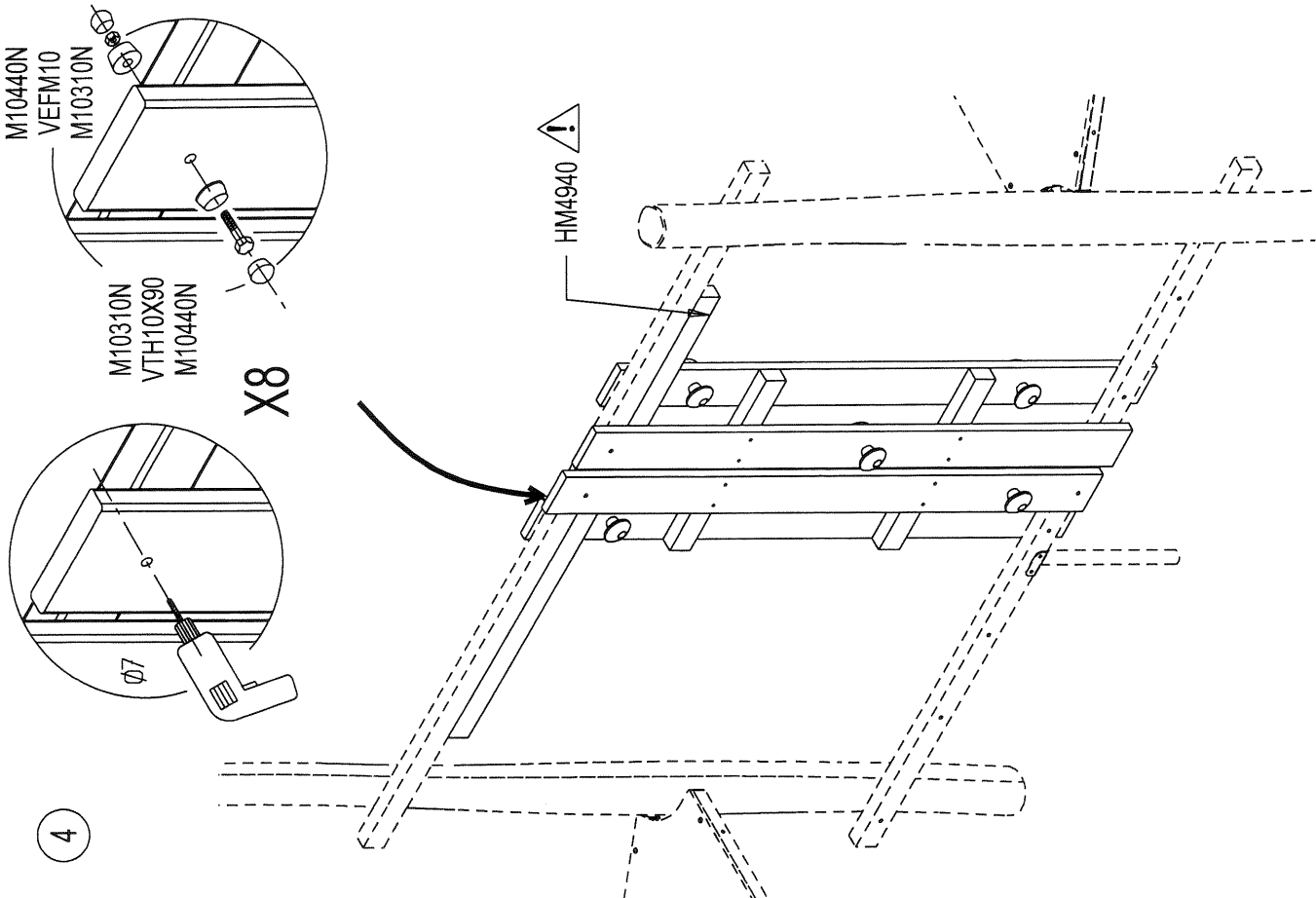


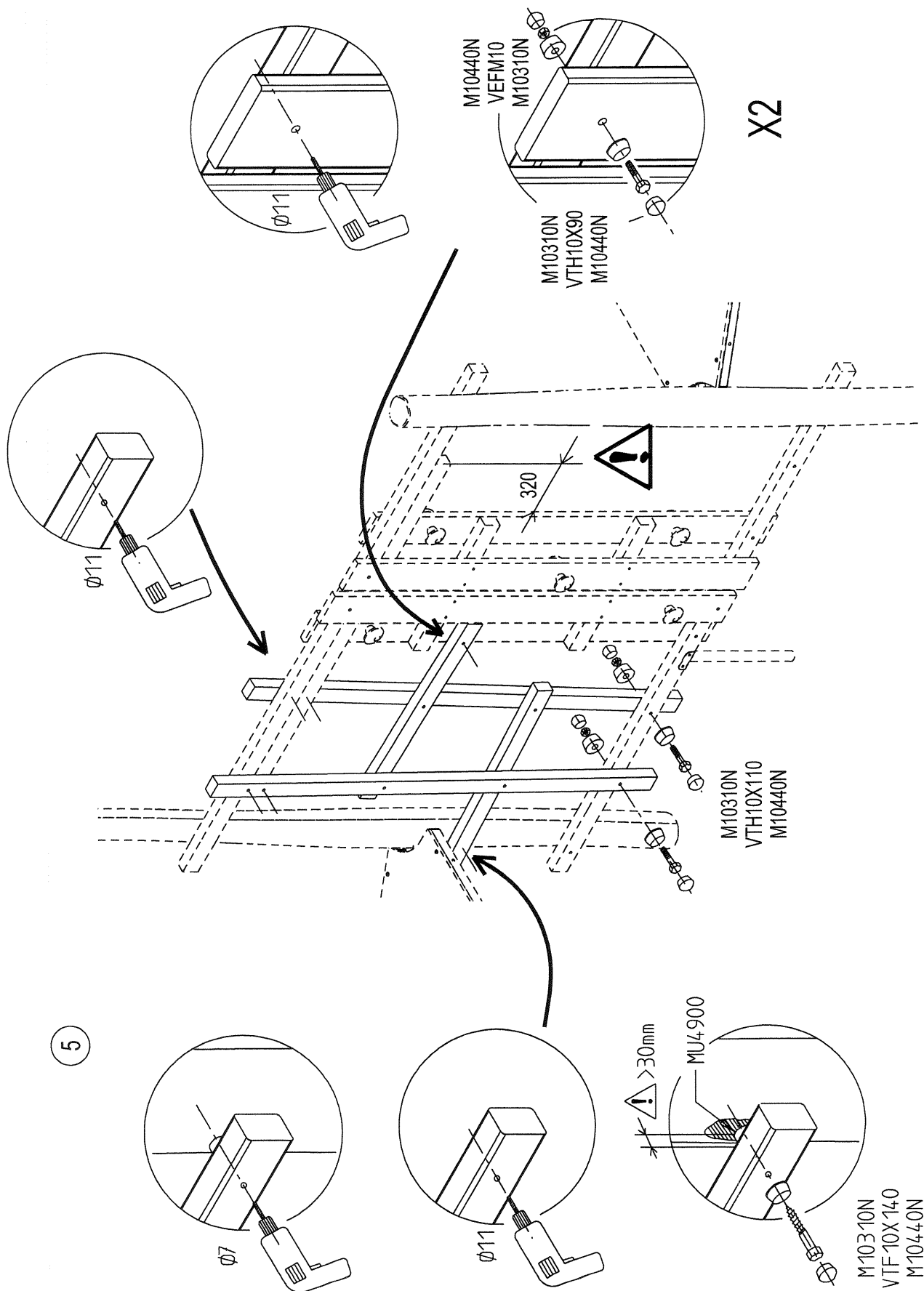
	VTH 10x70	2
	MU3908N	6
	VTH 10x110	12
	VTH 10x90	10
	M10440N	60
	M10310N	60
	VEFM10	29
	VTF10X140	6

3

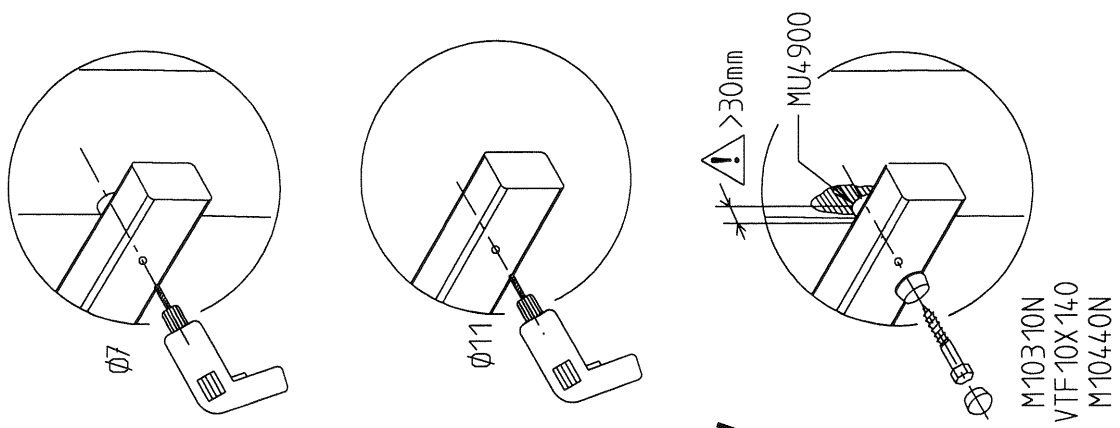


4

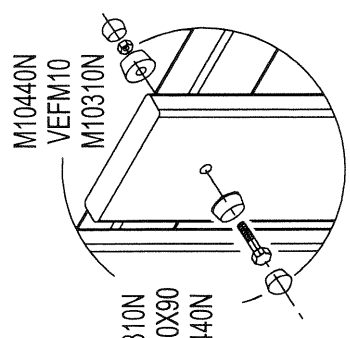
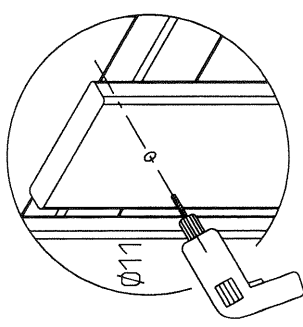
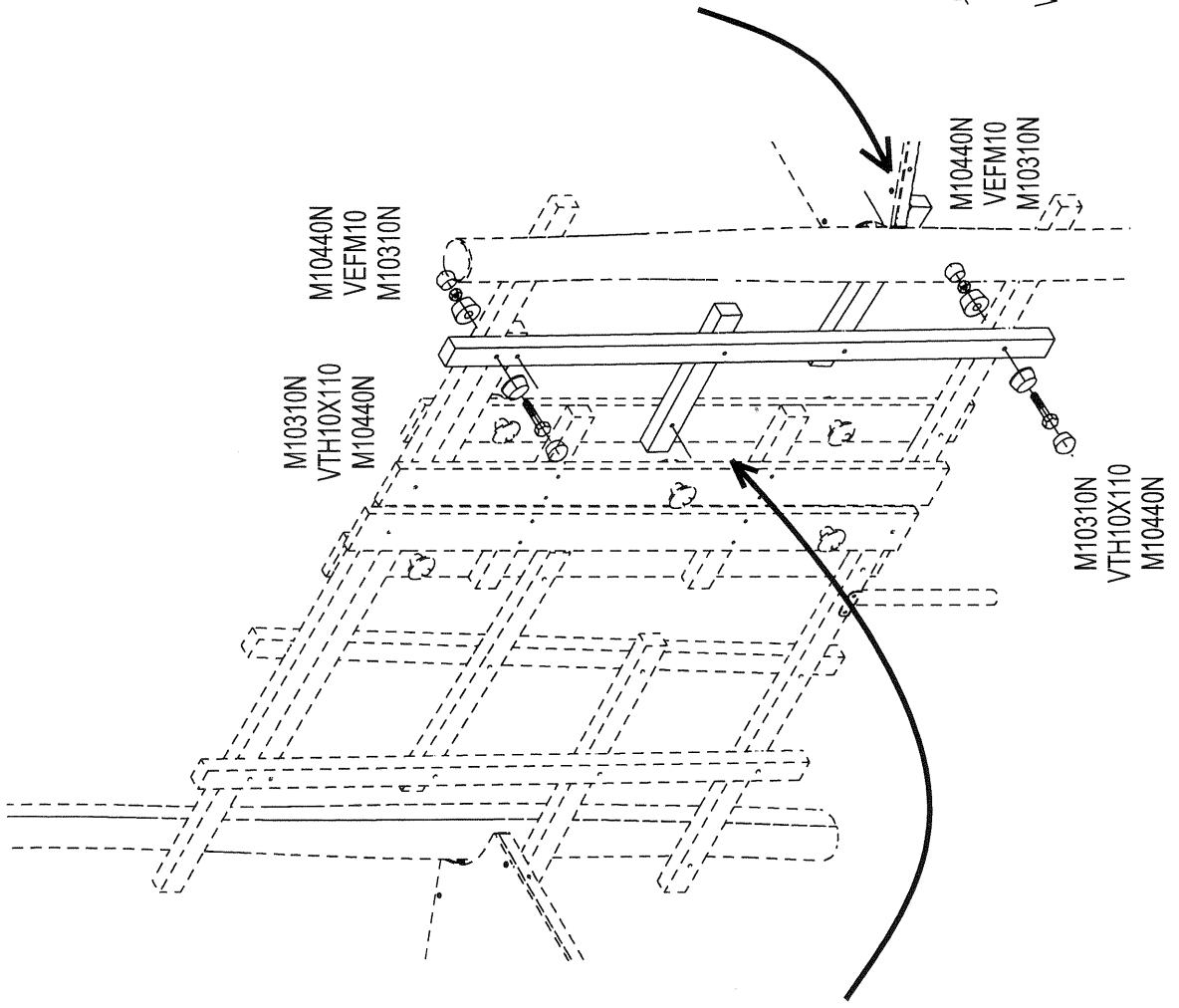




5

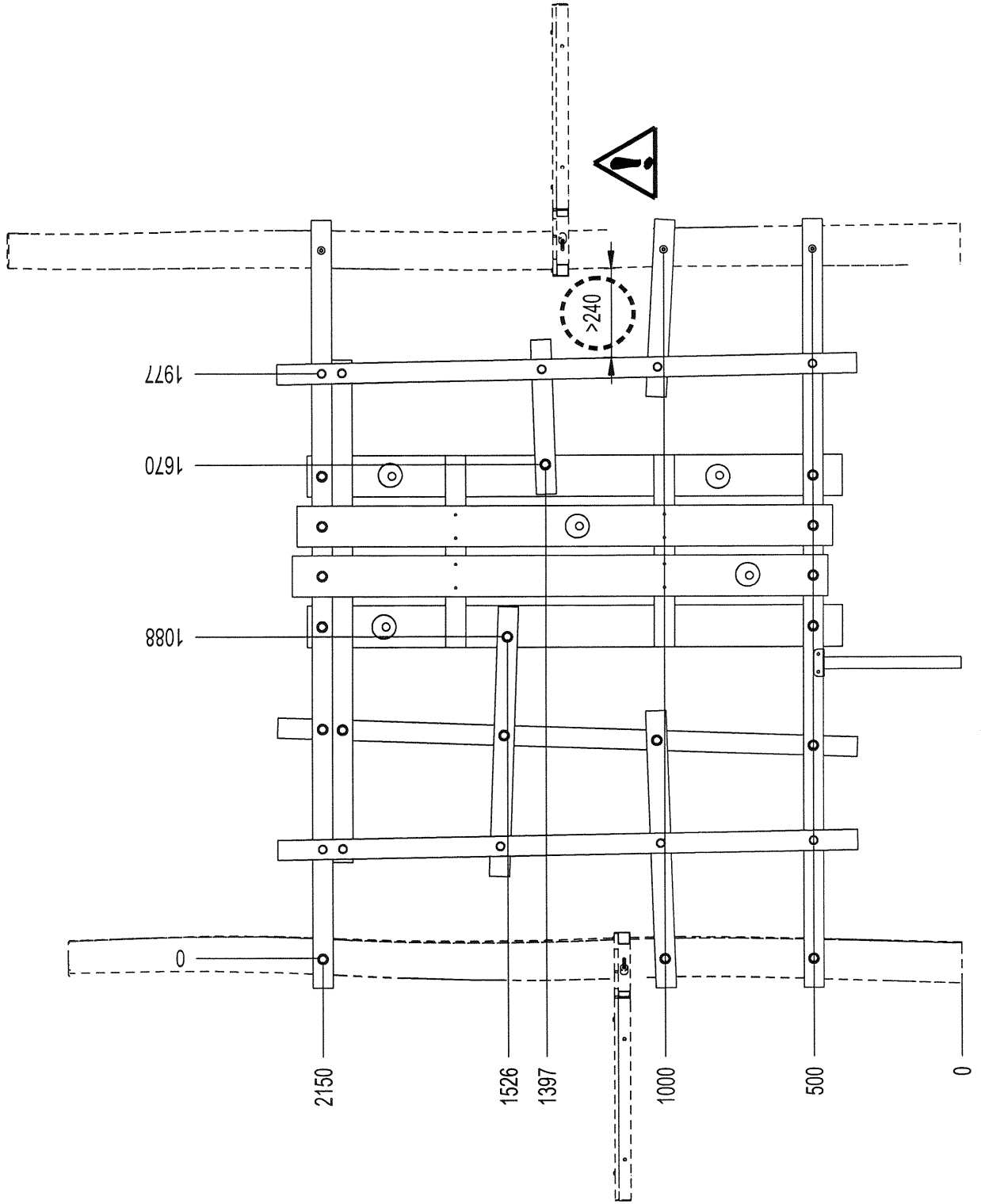


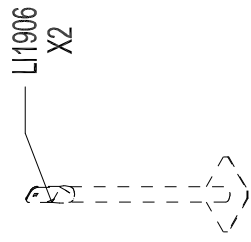
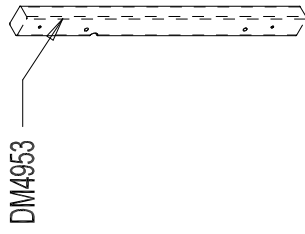
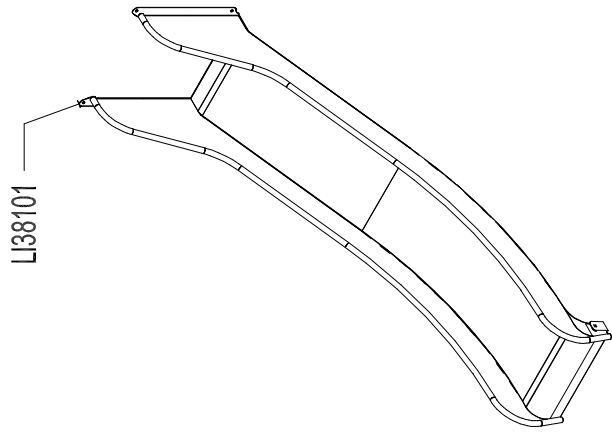
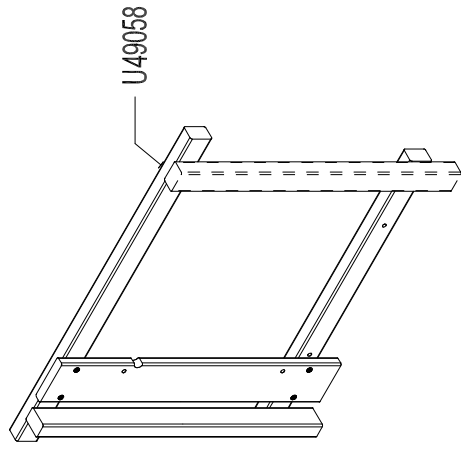
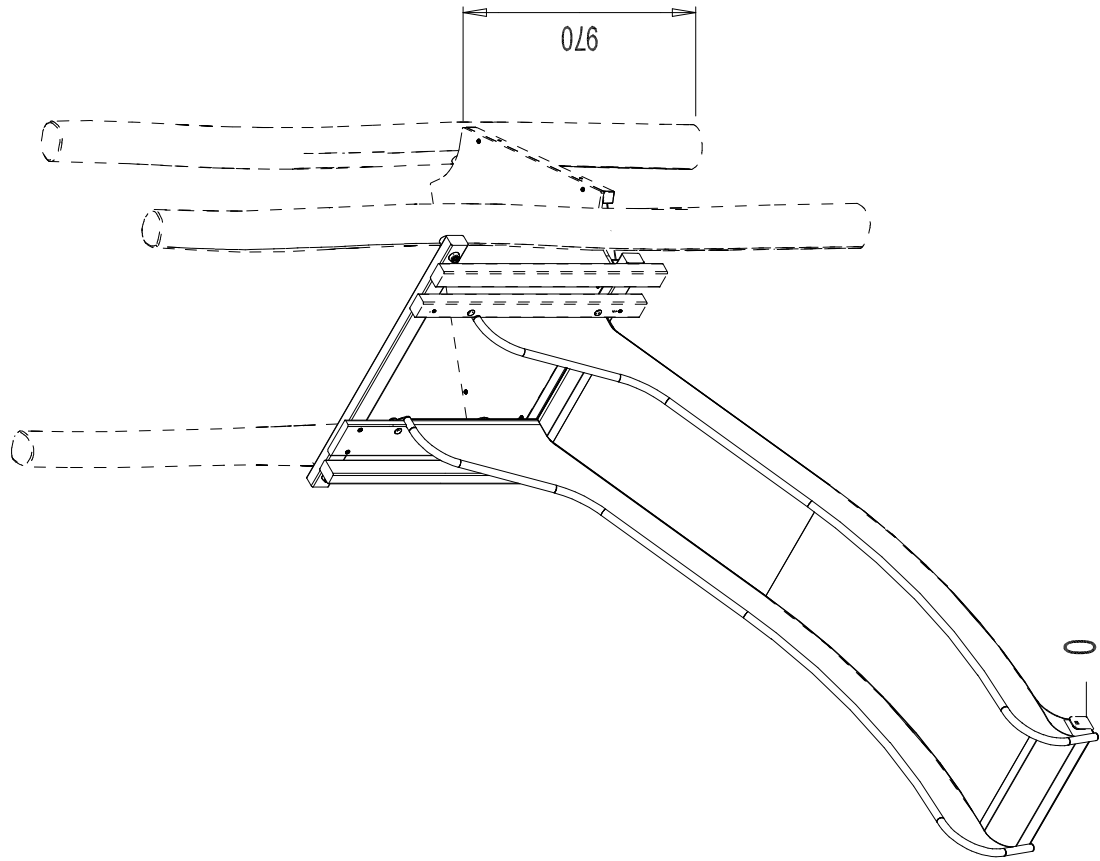
M10310N
VTF10X140
M10440N



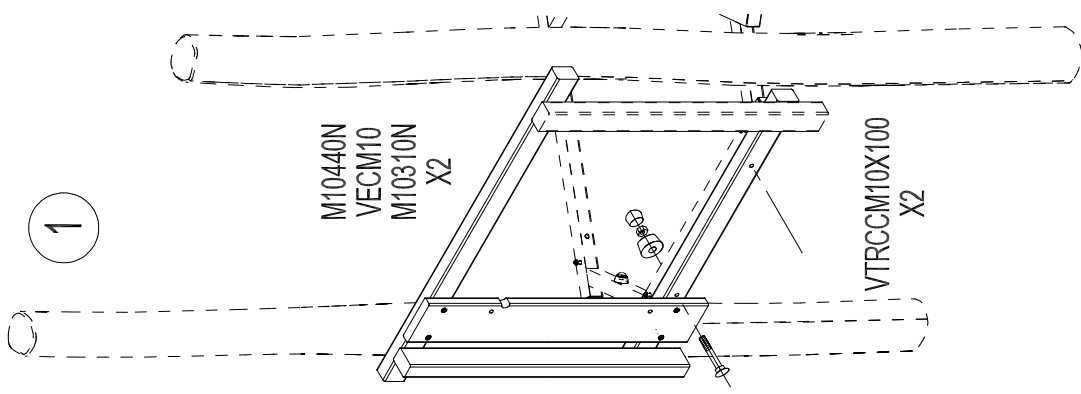
M10310N
VTH10X90
M10440N

X2

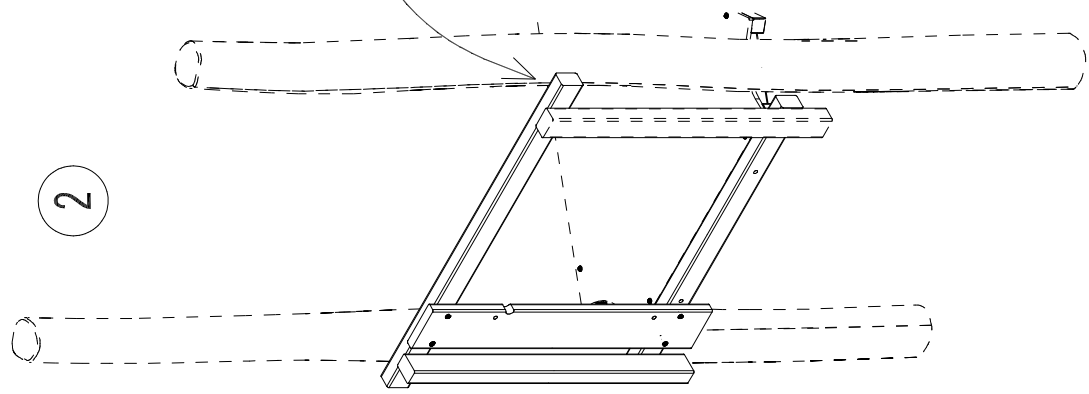




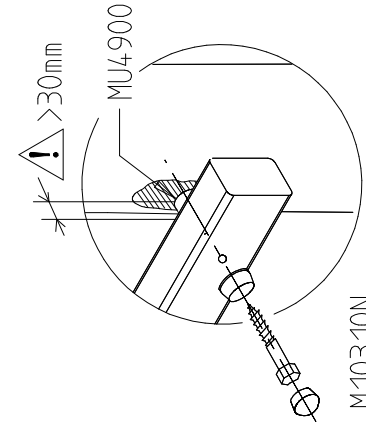
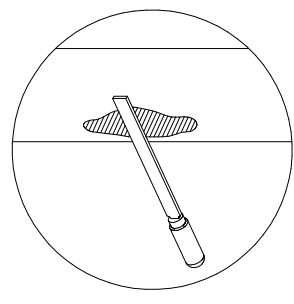
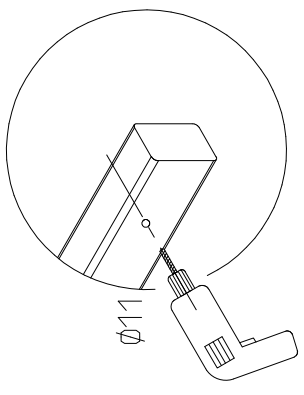
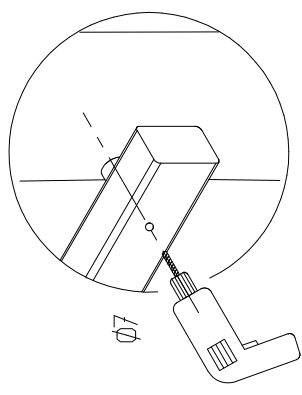
	VTRCC10X60	2
	VTRCC10X40	2
	M10440N	9
	M10310N	9
	MU4900	2
	VECM10	6
	VEFM10	2
	VWT6x70	2
	VTF10X140	2
	VTRCC10X30	2
	VTRCC10X100	2



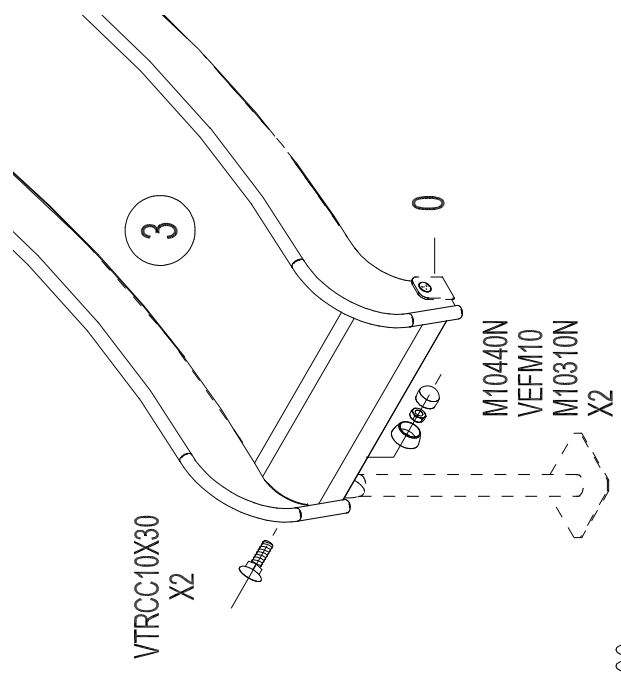
1



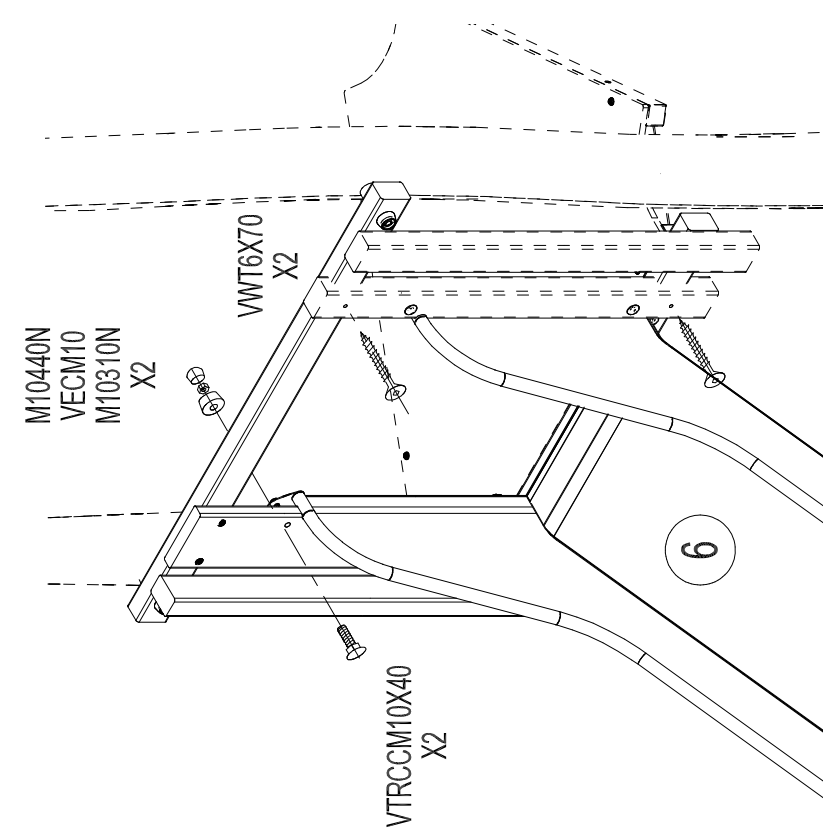
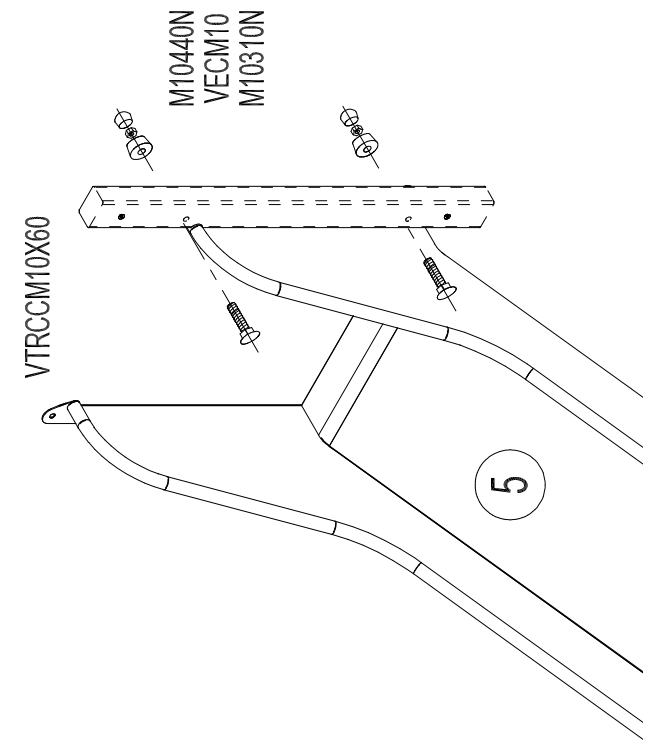
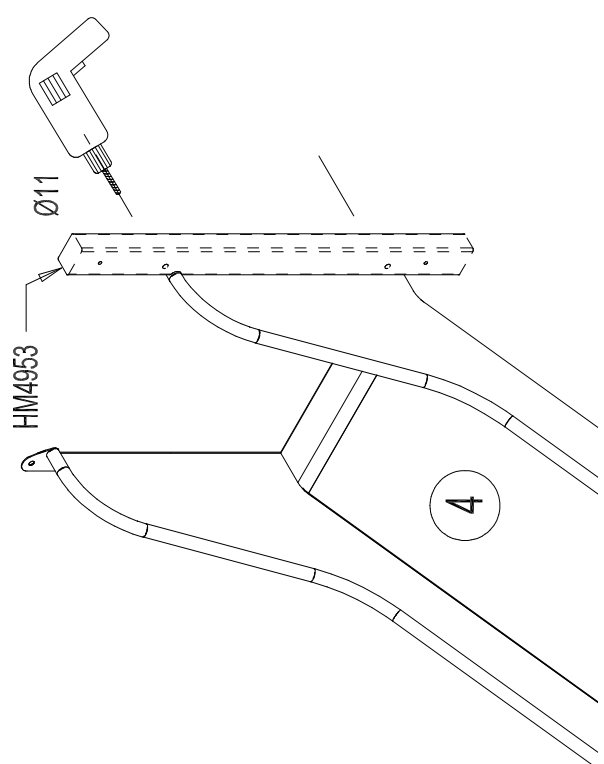
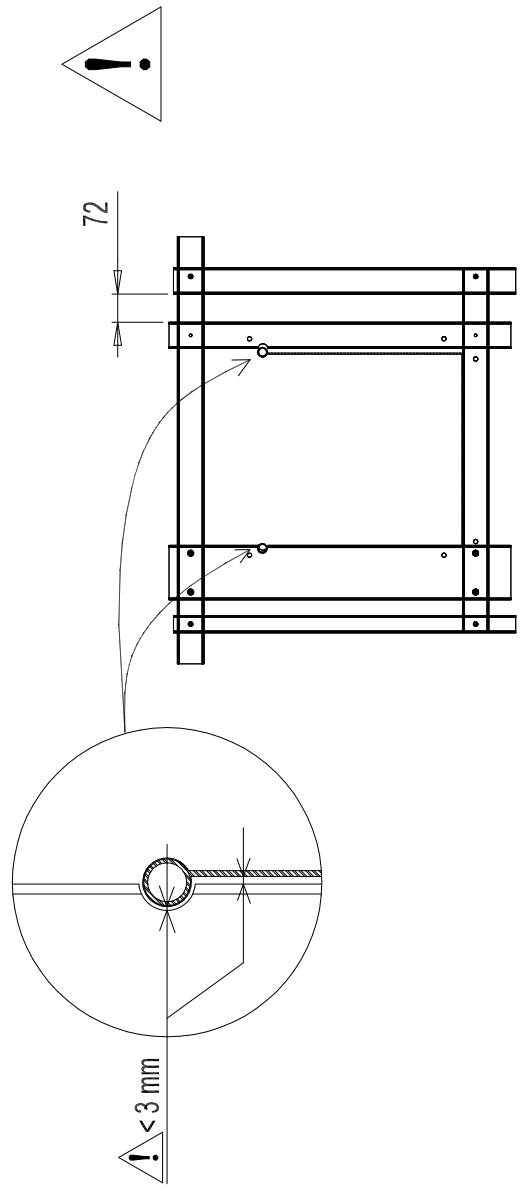
2

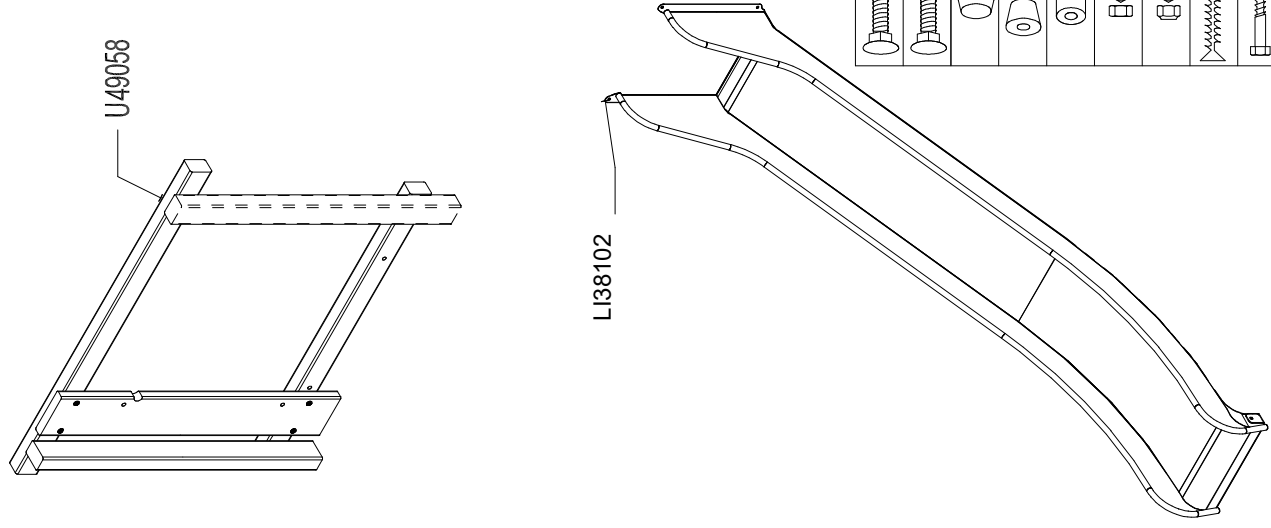
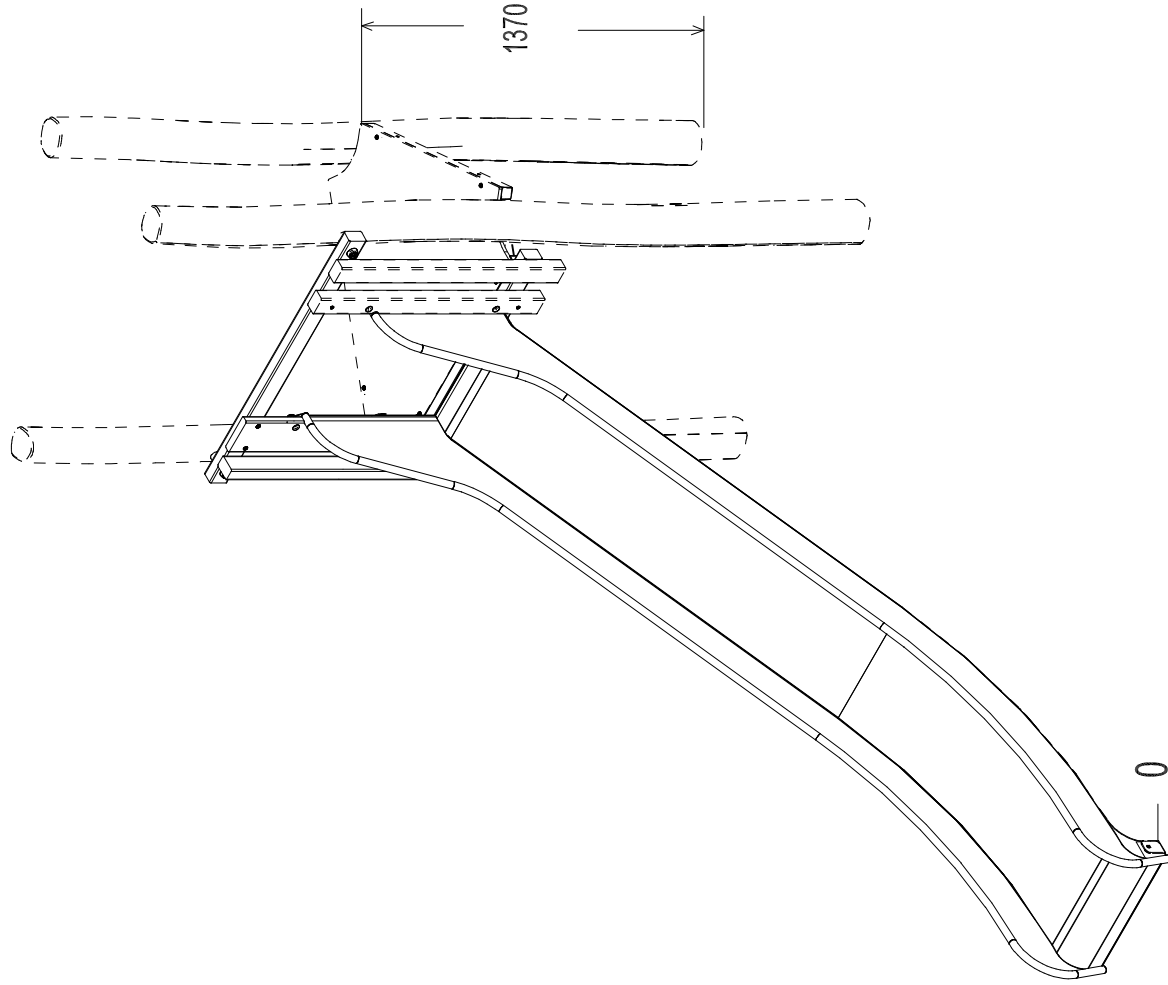


M10310N
VTF10X140
M10440N

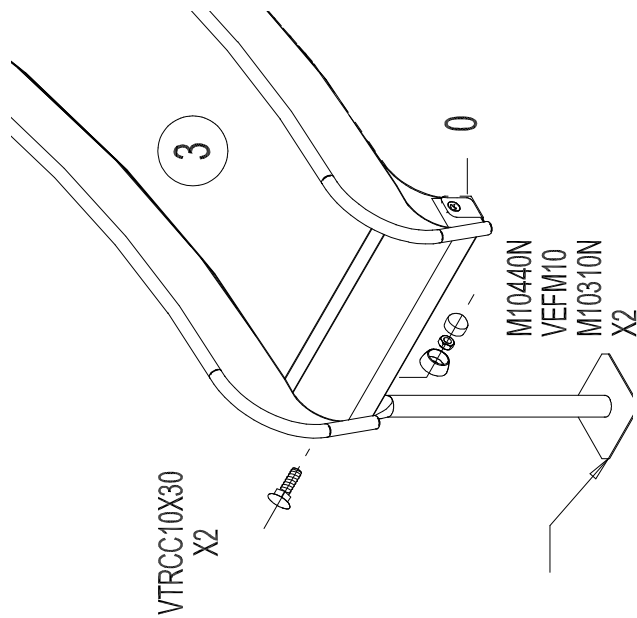
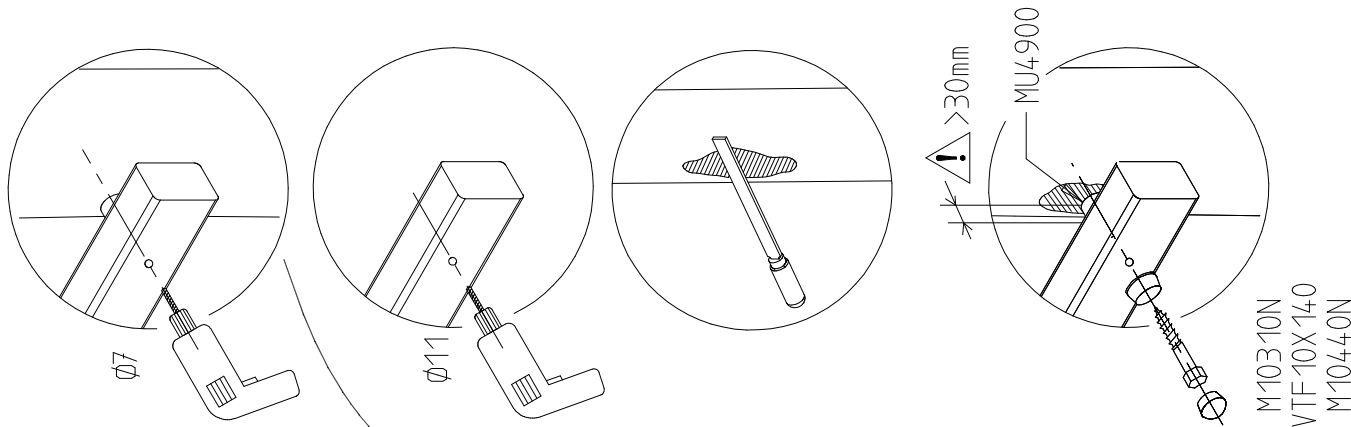
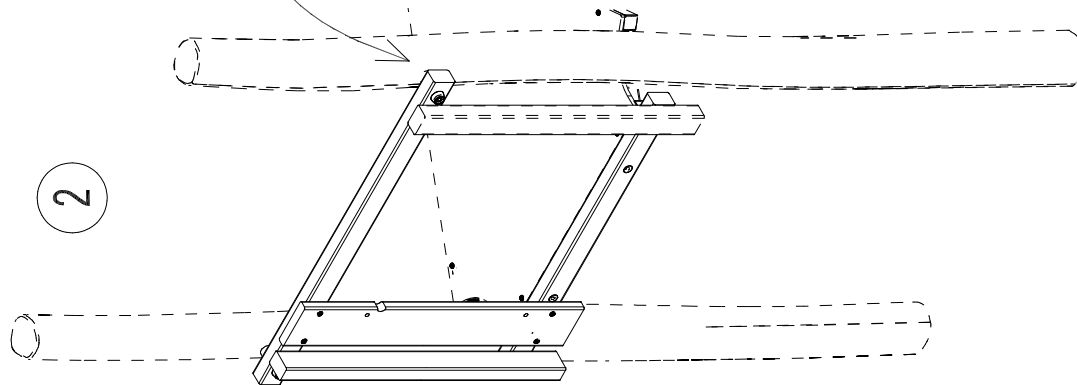
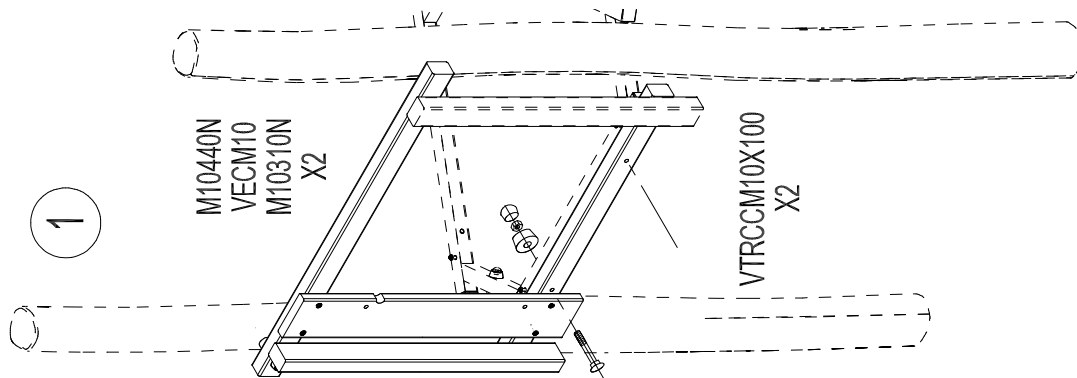


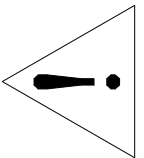
3



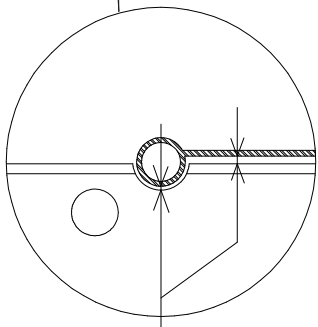
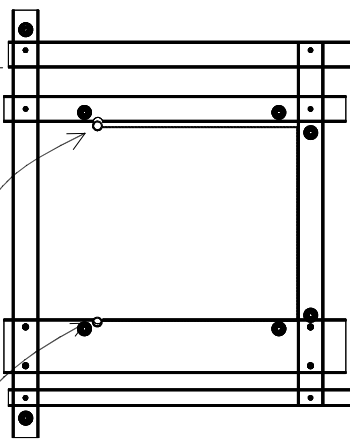


	VTRCC10X60	2
	VTRCC10X40	2
	M10440N	9
	M10310N	9
	MU4900	2
	VECM10	6
	VEFM10	2
	VWT6x70	2
	VTF10X140	2
	VTRCC10X30	2
	VTRCC10X100	2

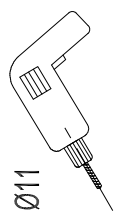




72mm

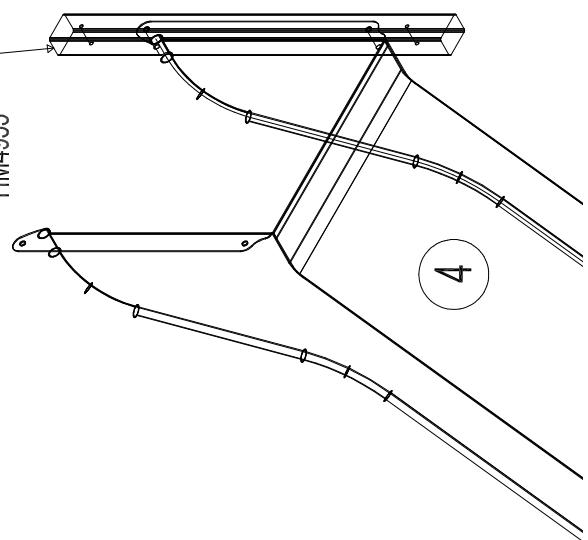


! < 3 mm



Ø11

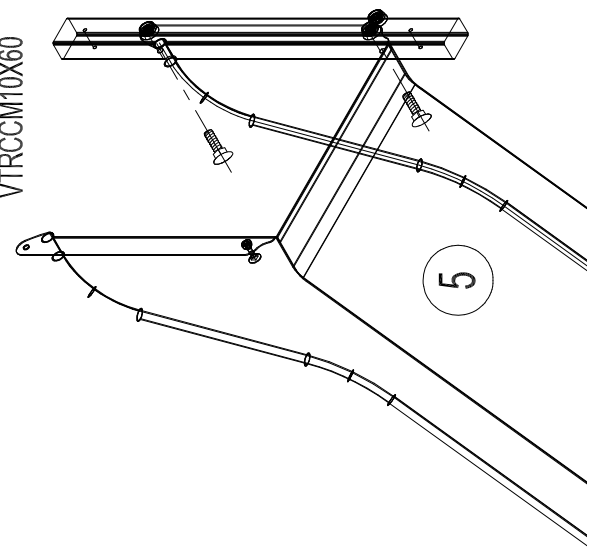
HM4953



4

M10440N
VECM10
M10310N
X2

VTRCCM10X60

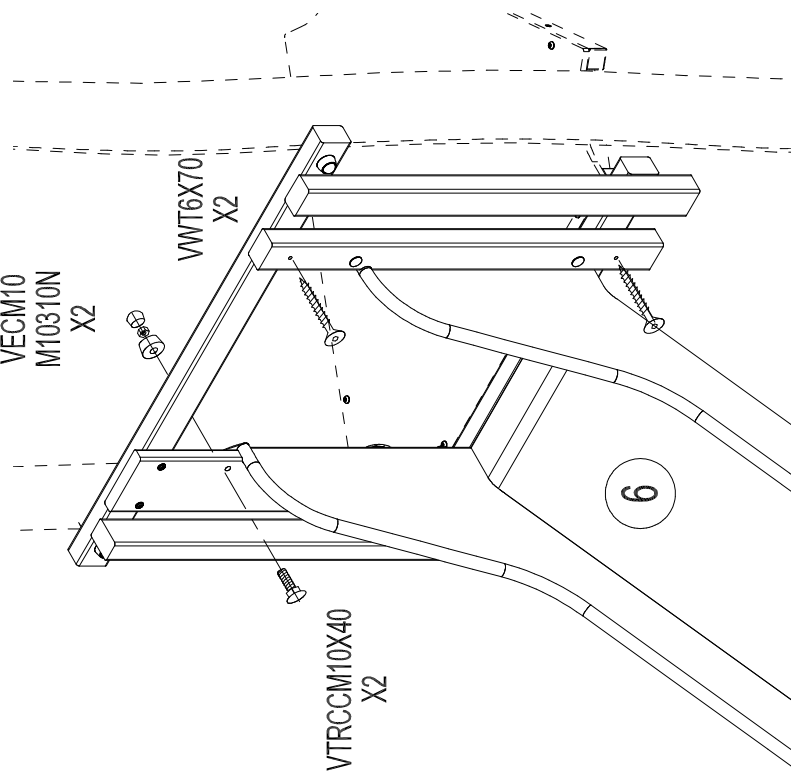


5

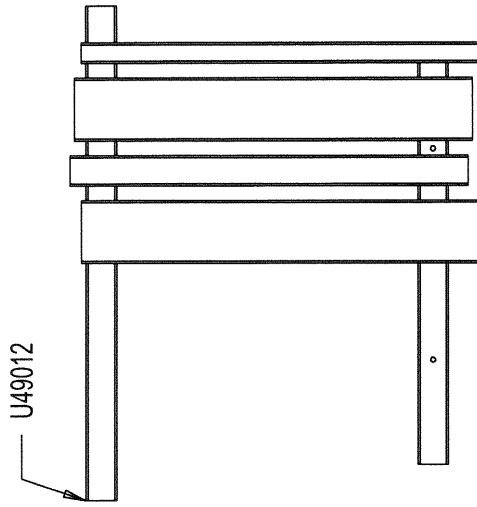
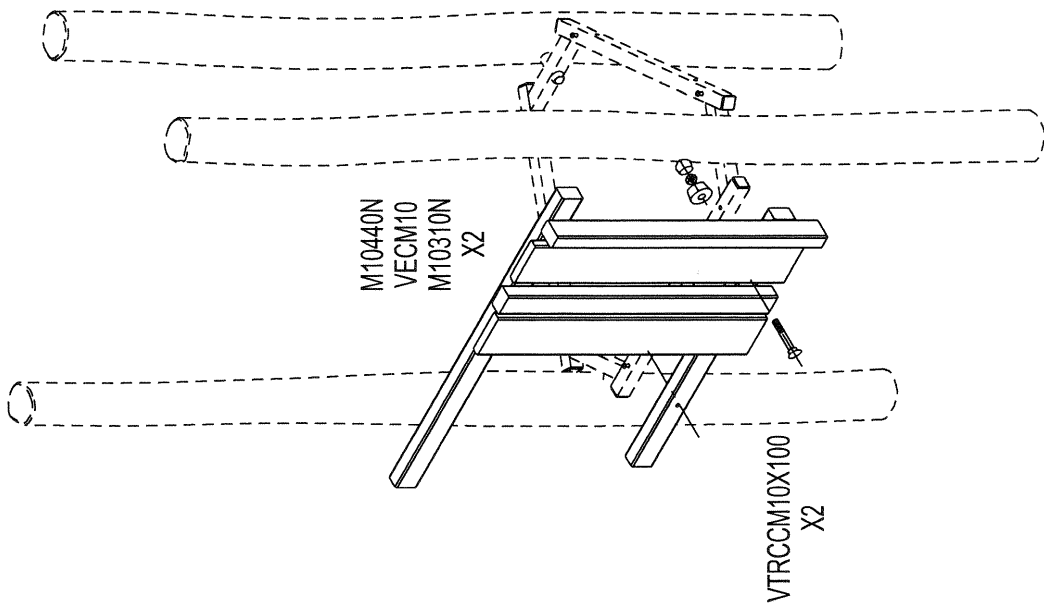
M10440N
VECM10
M10310N
X2

VWT6X70
X2

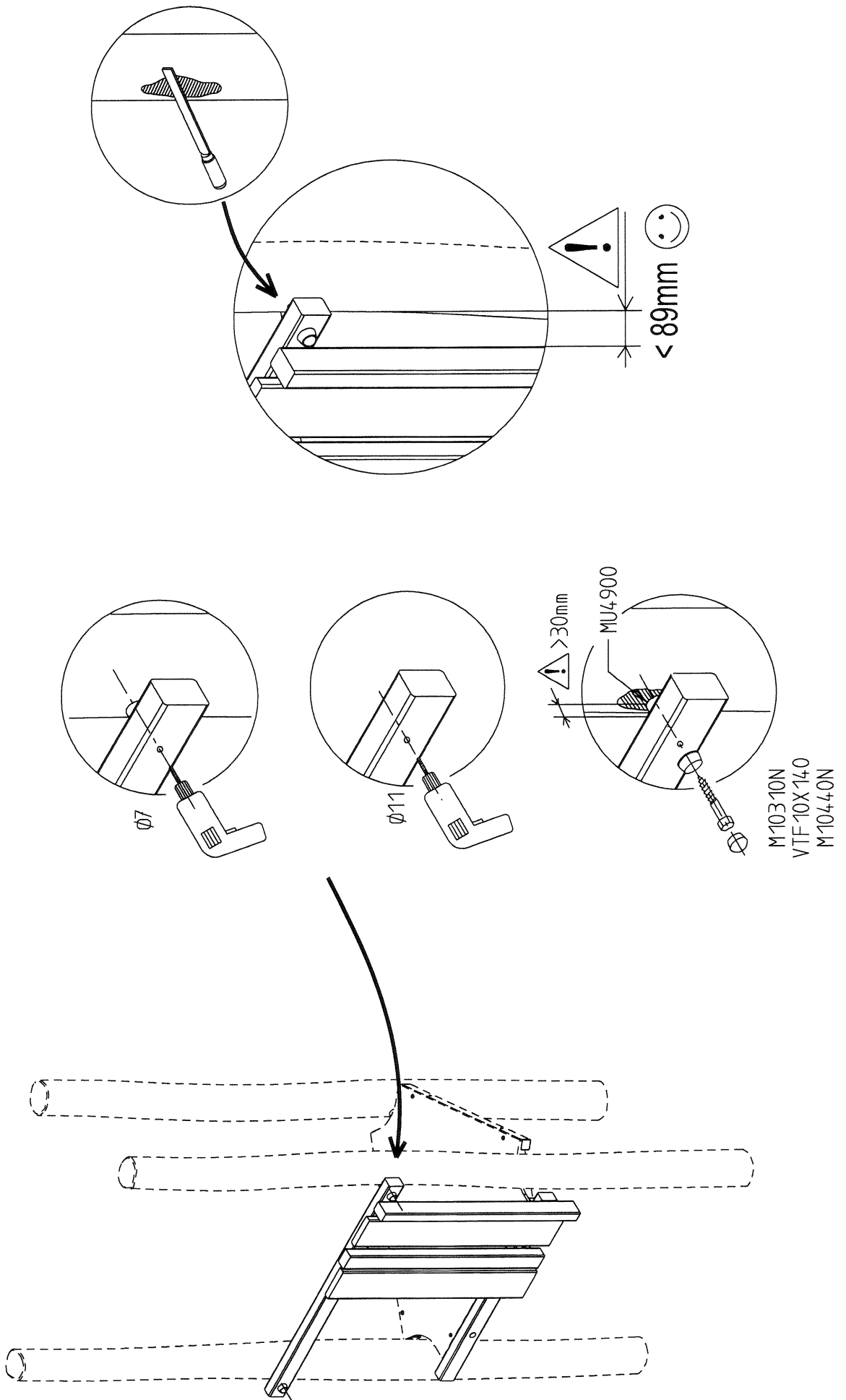
VTRCCM10X40
X2



6



	MU4900	2
	VECM10	2
	VTRCC10X100	2
	M10310N	4
	M10440N	4
	VTF10X140	2



- M10310N
- VTF-10X14-0
- M10440N