

N°		
1	0.6 m	16.5 m <sup>2</sup>
2	1 m	7.5 m <sup>2</sup>

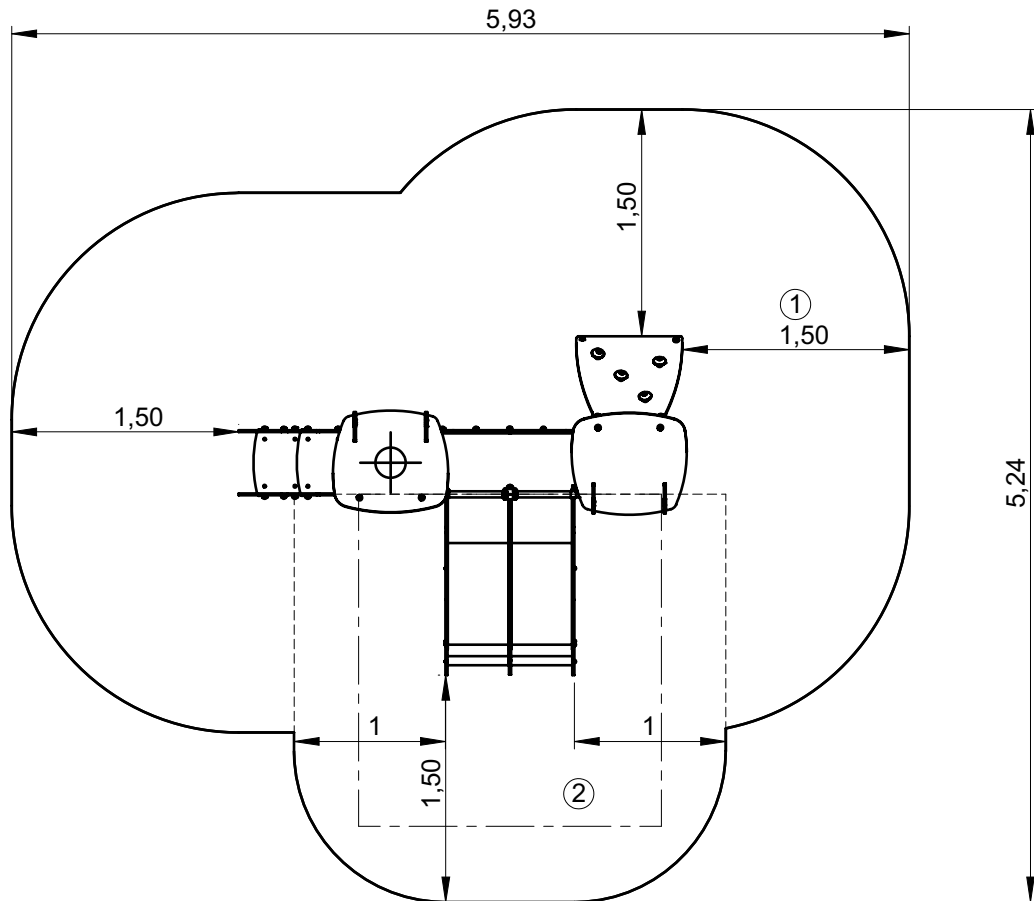
— Zone d'impact  
Impact area  
Area de impacto  
Fallraum  
Valzone

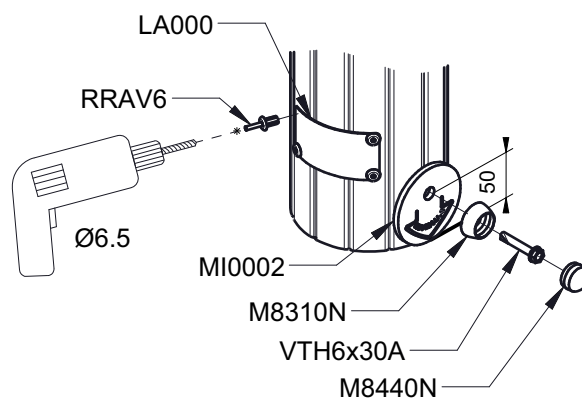
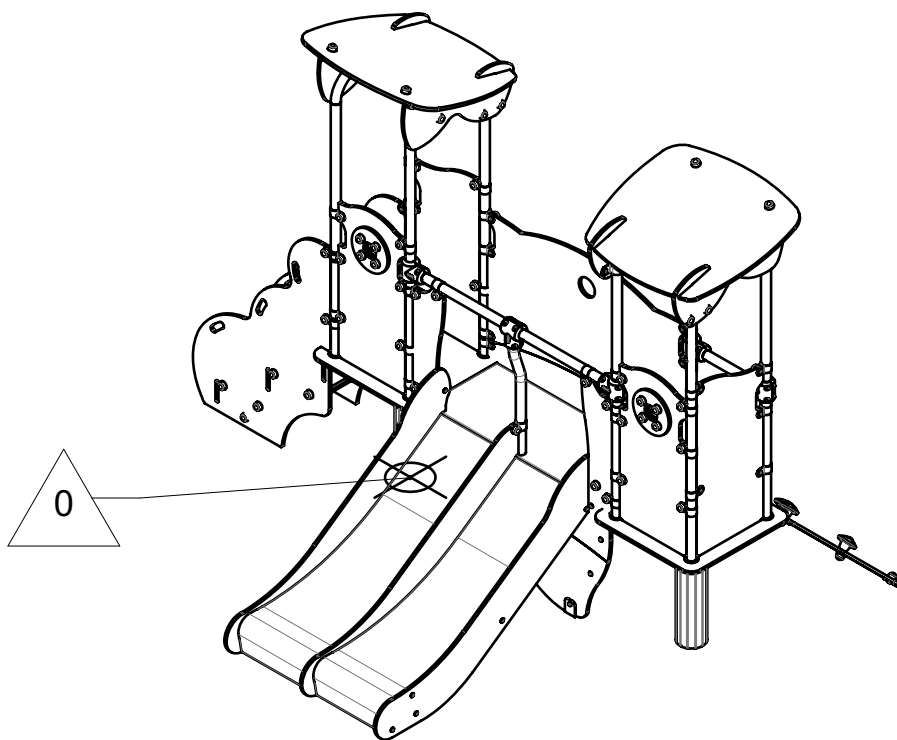


Point de référence  
Setting out point  
Punto de referencia  
Bezugspunkt  
Referentiepunt

- - - Espace libre  
Free space  
Espacio libre  
Freiraum  
Vrije ruimte

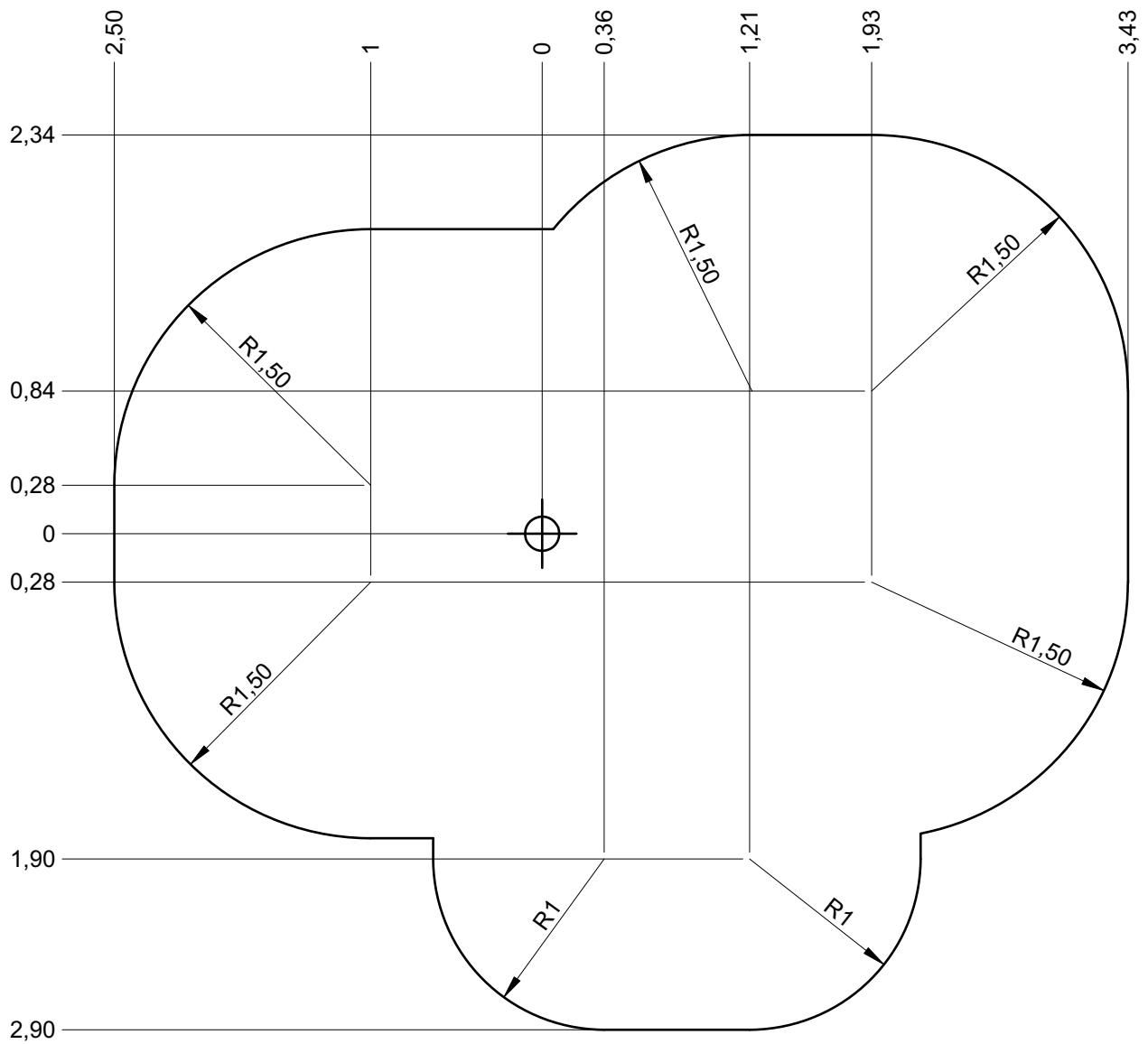
EN1176-1:2017  
EN1176-3:2017





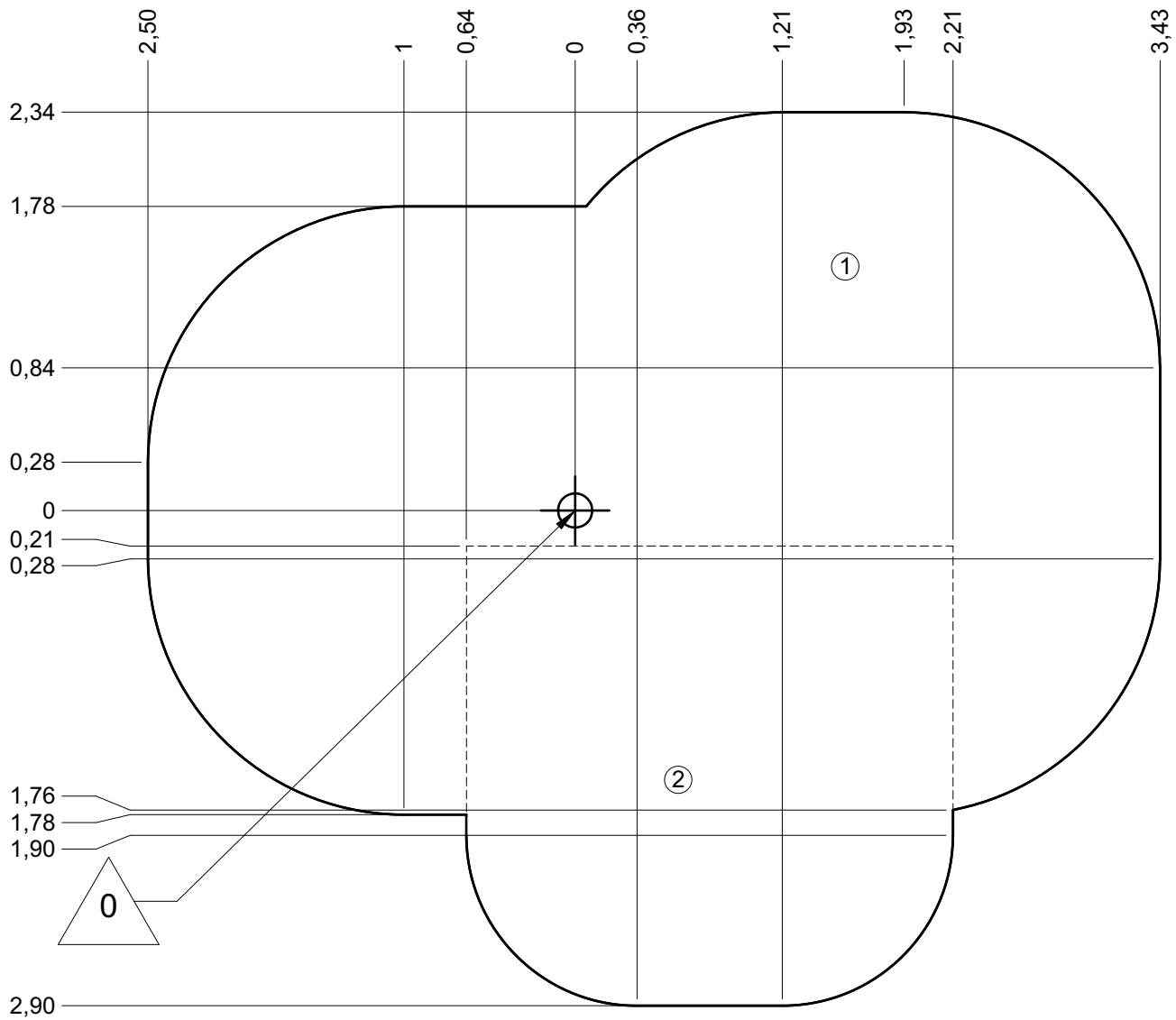
— Zone d'impact  
 Impact area  
 Area de impacto  
 Fallraum  
 Valzone

24 m<sup>2</sup>



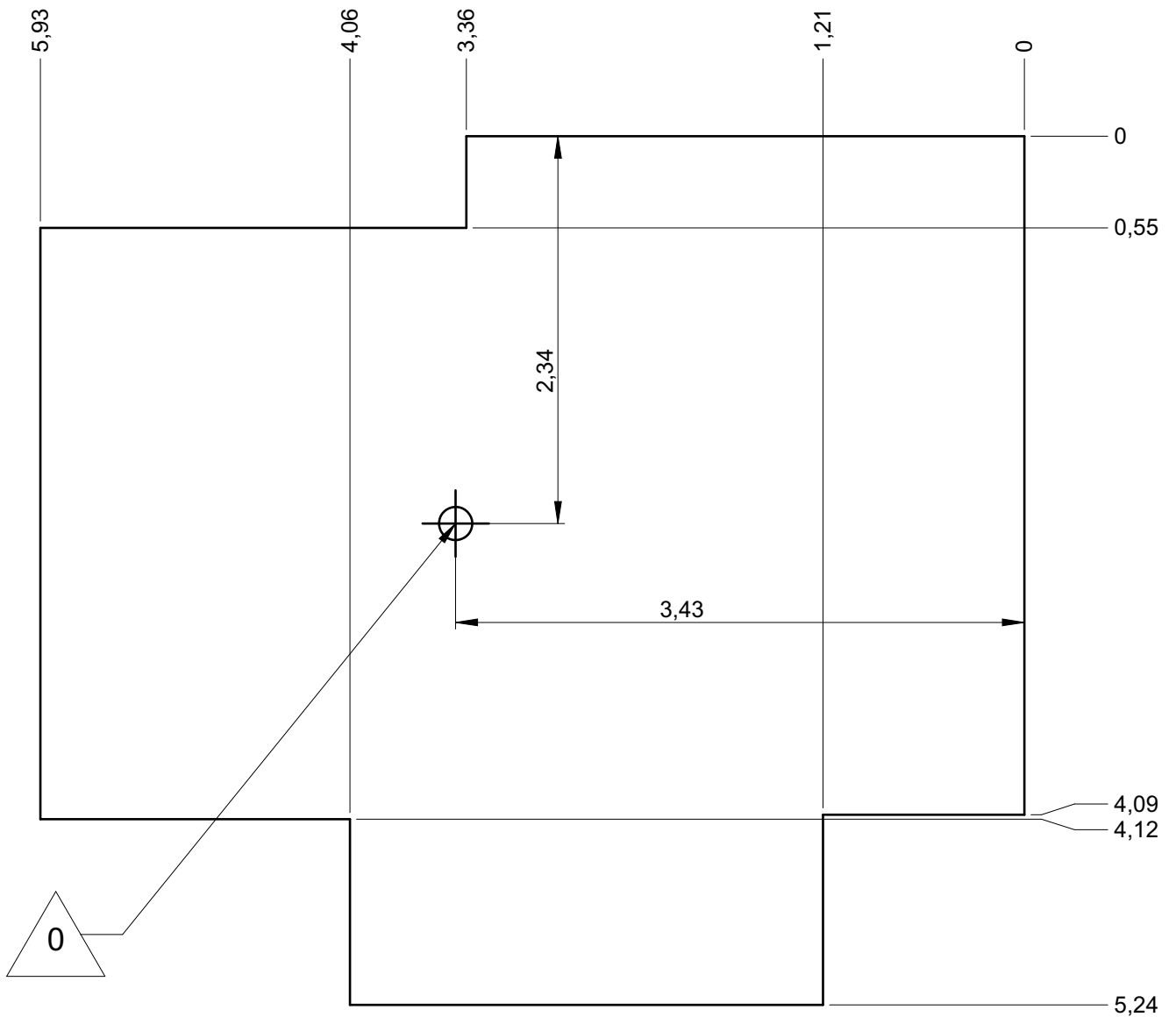
— Sol souple  
 Wepour  
 Caucho continuo  
 Synthetischer Fallschutz  
 Gietvloer

24 m<sup>2</sup>

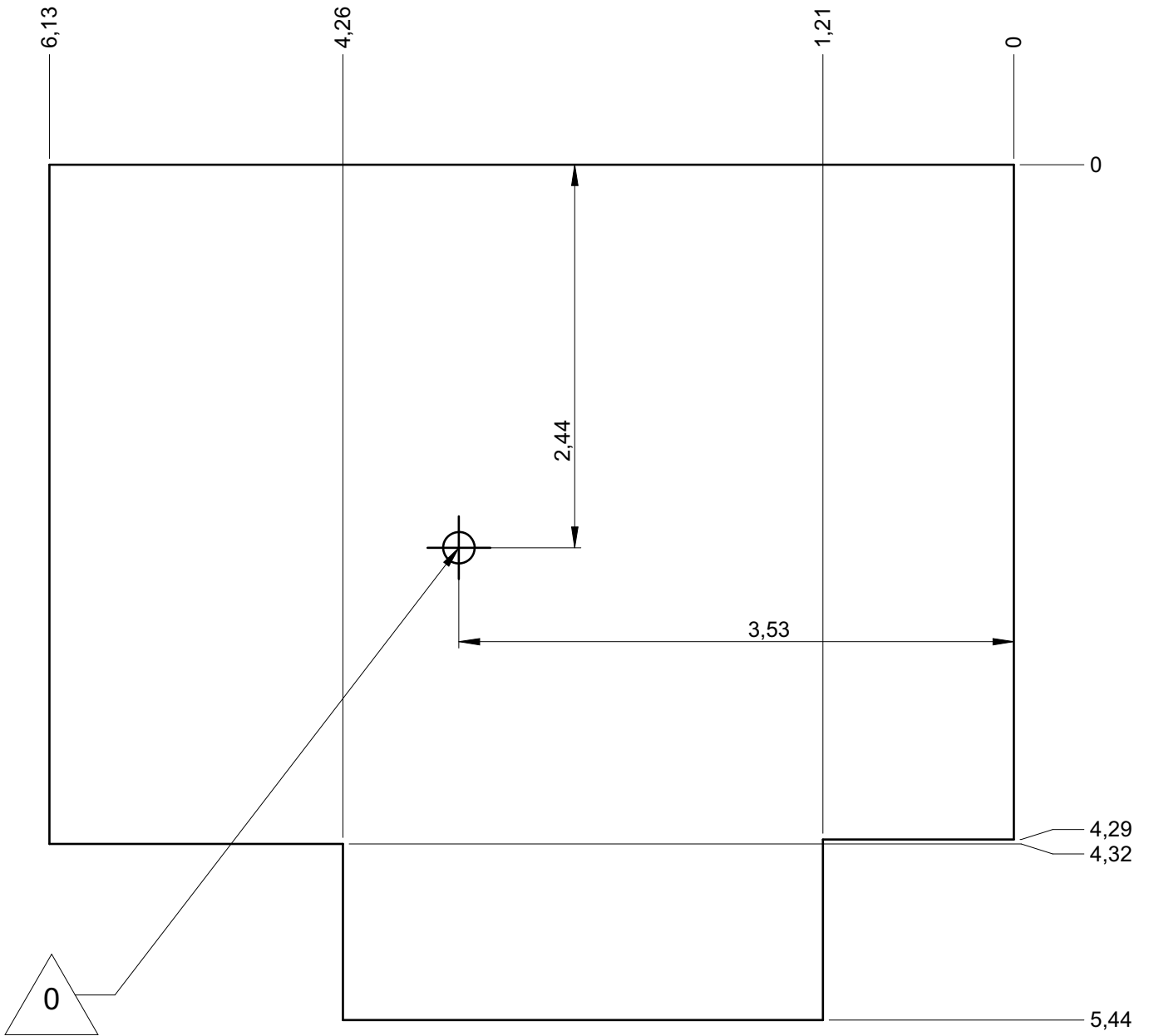


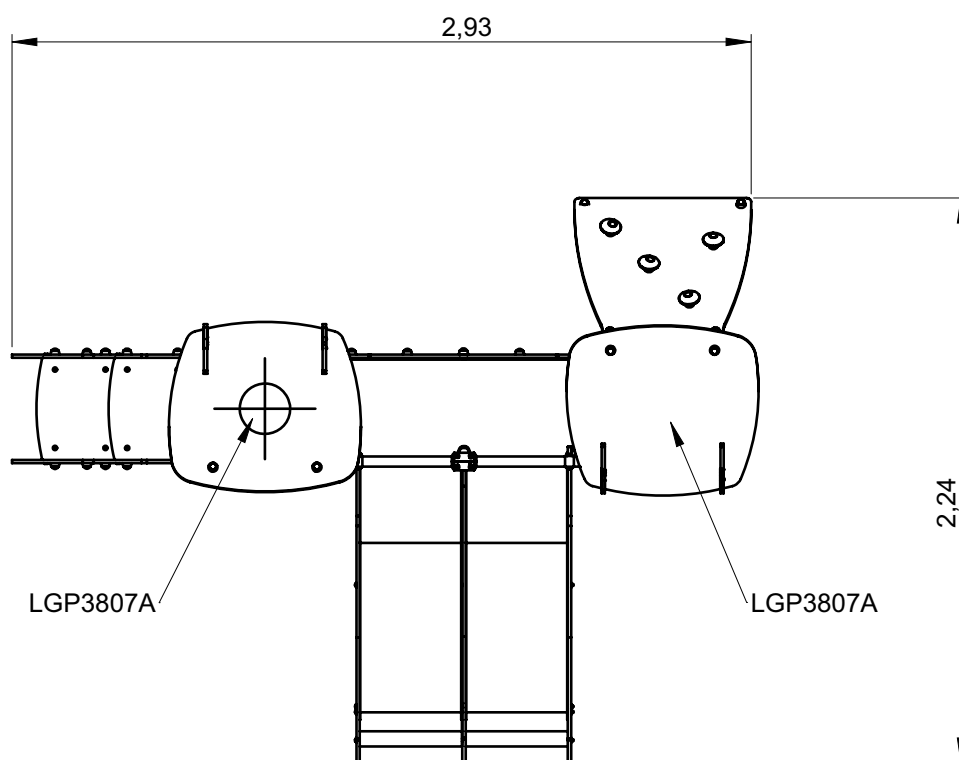
— Dalle béton  
 Concrete pad  
 Solera de hormigon  
 Beton Bodenplatte  
 Betonnen bodemplaat

23 m  
 27 m<sup>2</sup>

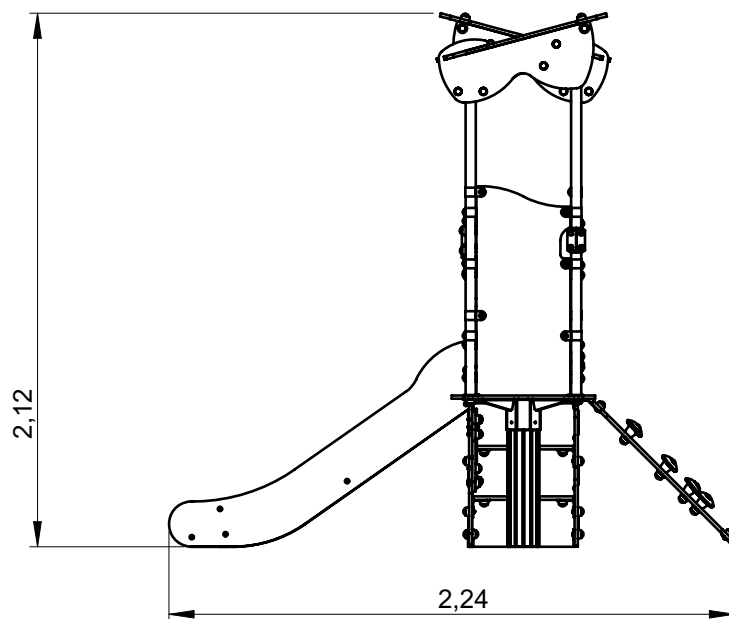
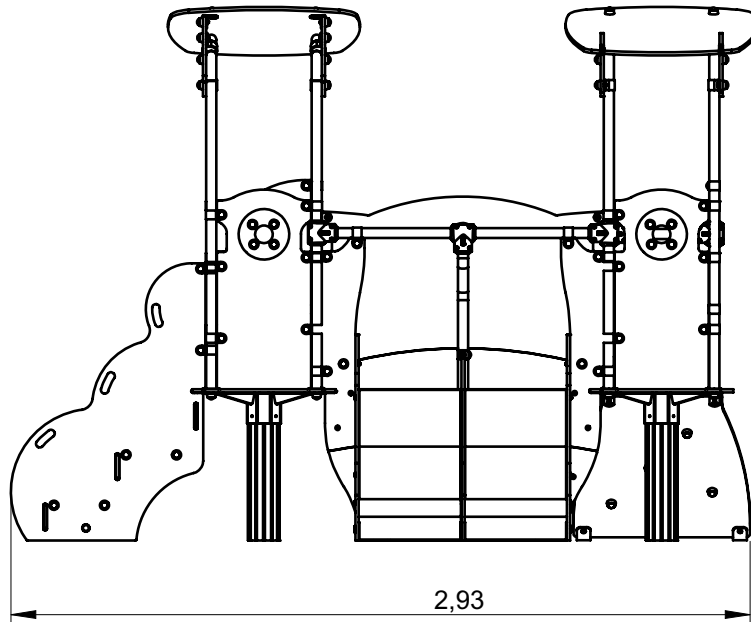


— Sol fluent  
 Loos particule material 24 m  
 Arenero  
 Loses Bodenmaterial 30 m<sup>2</sup>  
 Los bodemmaterial

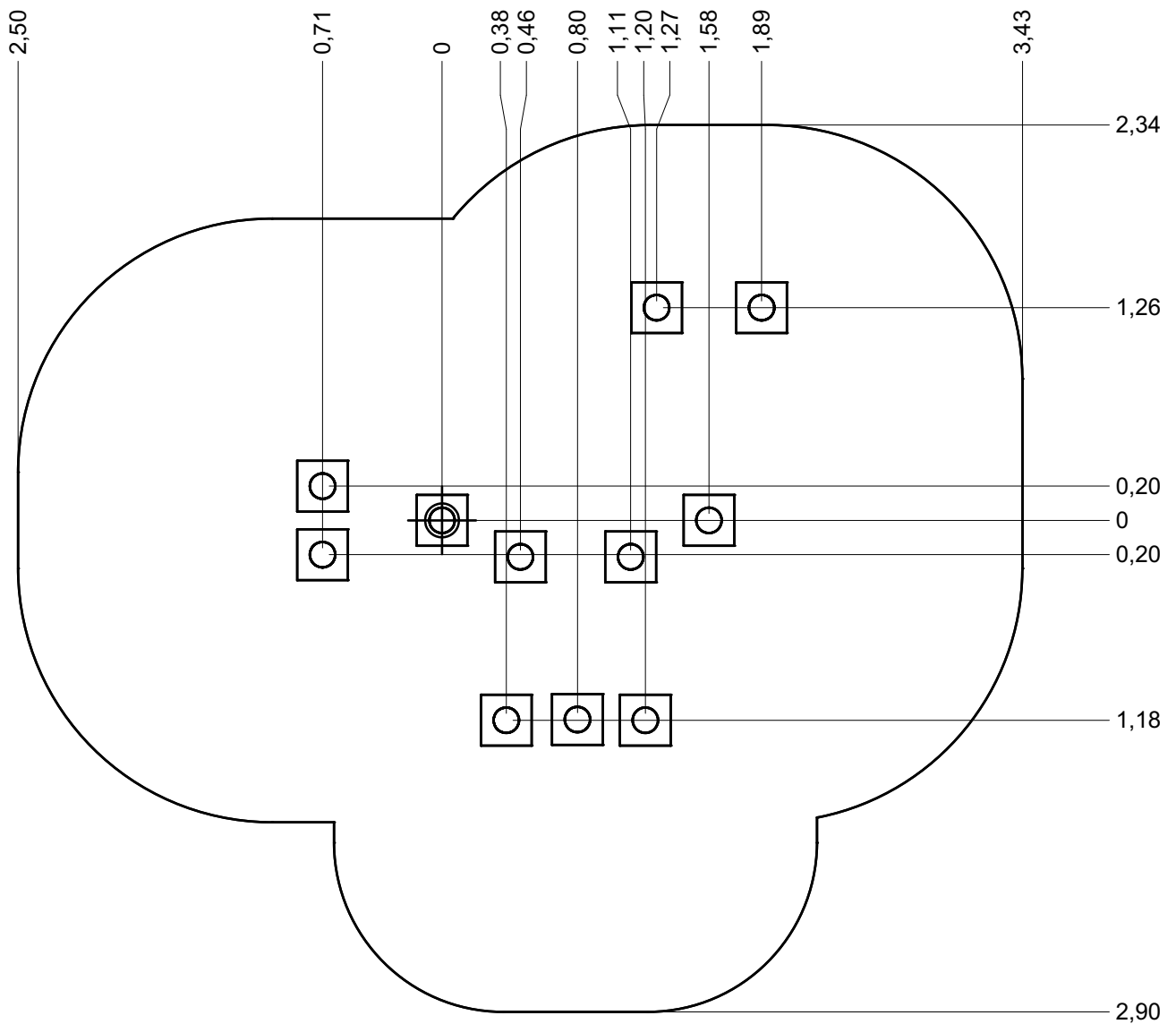




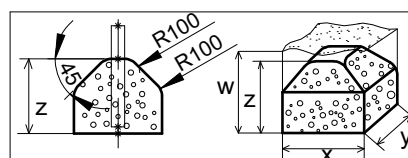







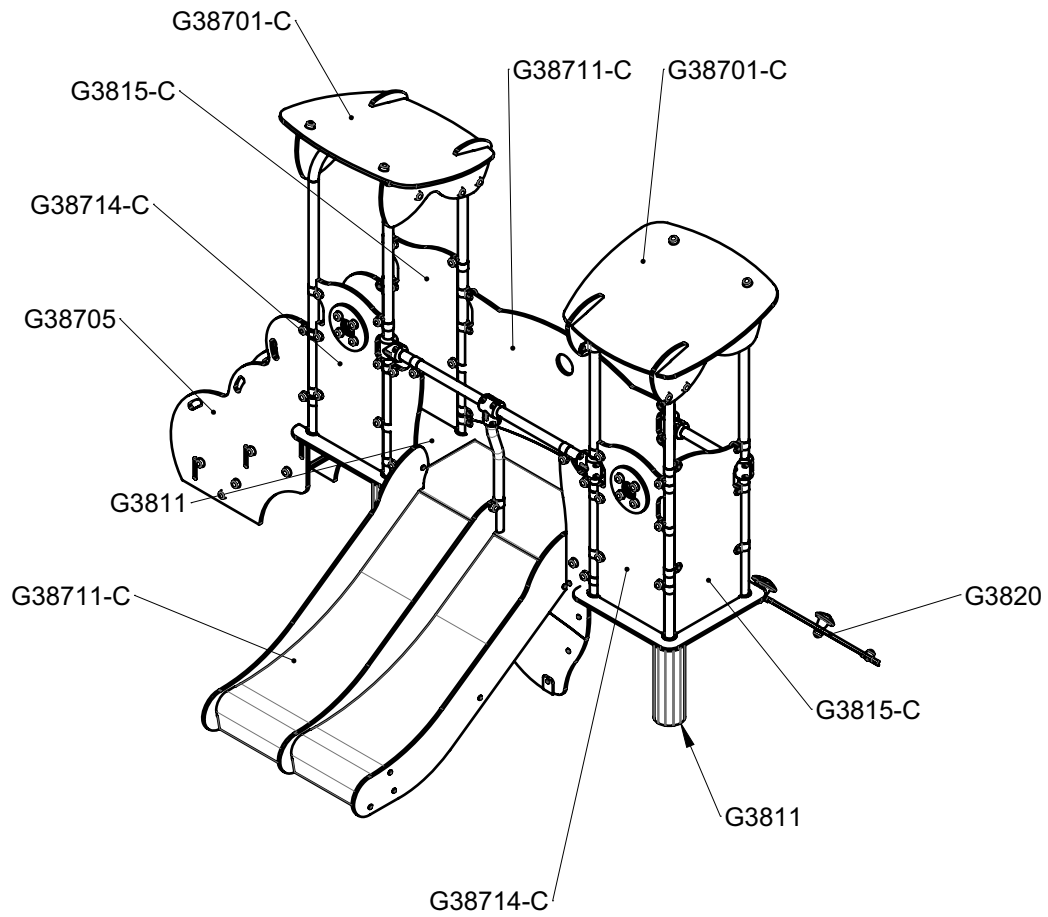
Implantation  
 Footing plan  
 Implantación  
 Fundamentplan  
 Funderingstekening



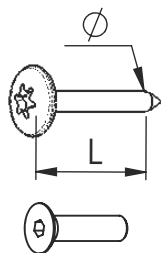
 x2  
 5H  
 0.30 m<sup>3</sup>



	x	y	z	w
	0.3	0.3	0.3	0.6
	0.4	0.4	0.3	0.6
	0.6	0.3	0.3	0.6



Réf	Qté
G3811	2
G3815-C	2
G3820	1
G38701-C	2
G38705	1
G38711-C	1
G38714-C	2



VBT 6 x 30  
 $\varnothing$  L (mm)

VFHC



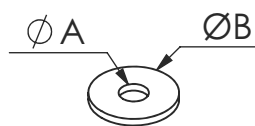
VEC M10  
 $\varnothing$




VEF




VEB



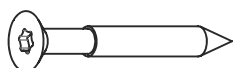
VR6x18  
 $\varnothing A$   $\varnothing B$



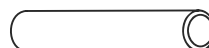
**1000 - 1800 tr/min**  
 Vitesse de rotation  
 Rotation speed



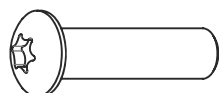
**14 N.m**  
 Couple de rupture  
 Torque of break



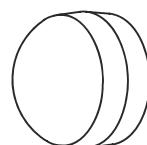
VWT



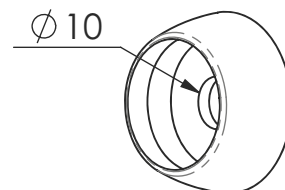
VGC



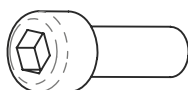
VCBHC



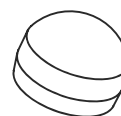
M10 440N



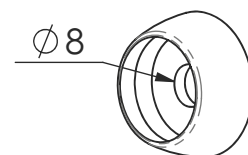
M10 310 N



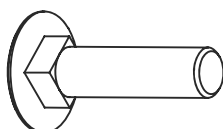
VBTR



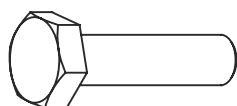
M8440N



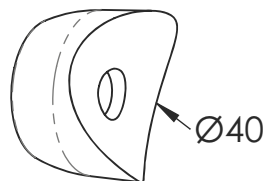
M8310N



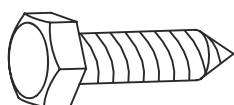
VTRCC



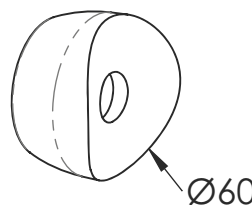
VTH



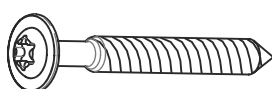
MI2503



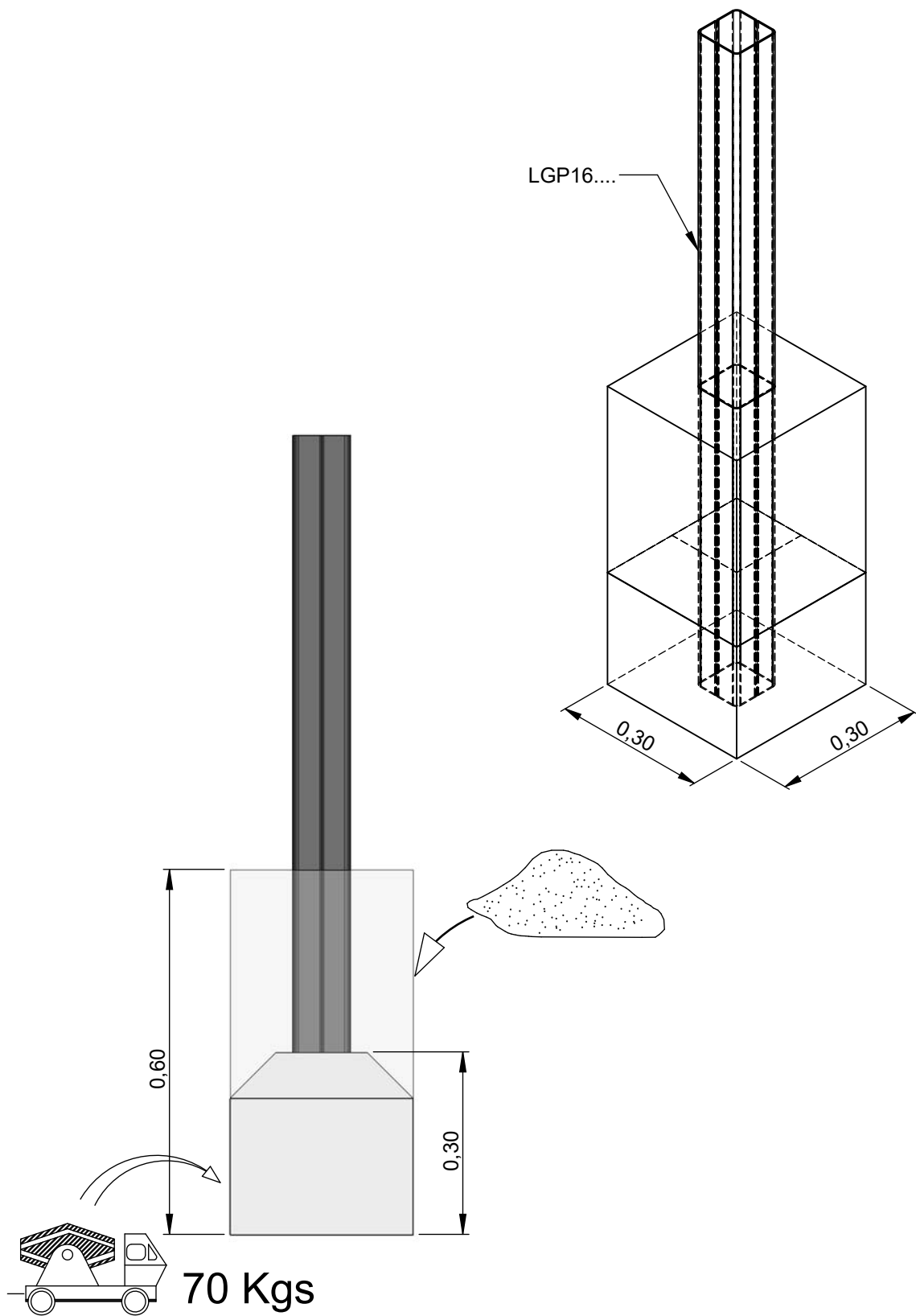
VTF



MI2701

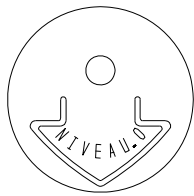


VBT



# A

*Proludic*



MI0002

VCBHCM10

M10310N  
VEFM10  
M10440N

LG08

M10440N  
VEFM10  
MI2503

LG3802

M10440N  
VTH10\*80  
MI2503

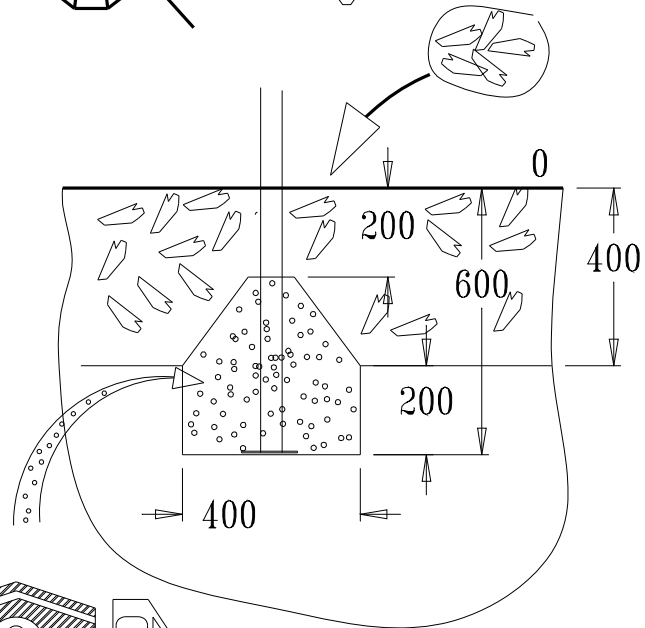
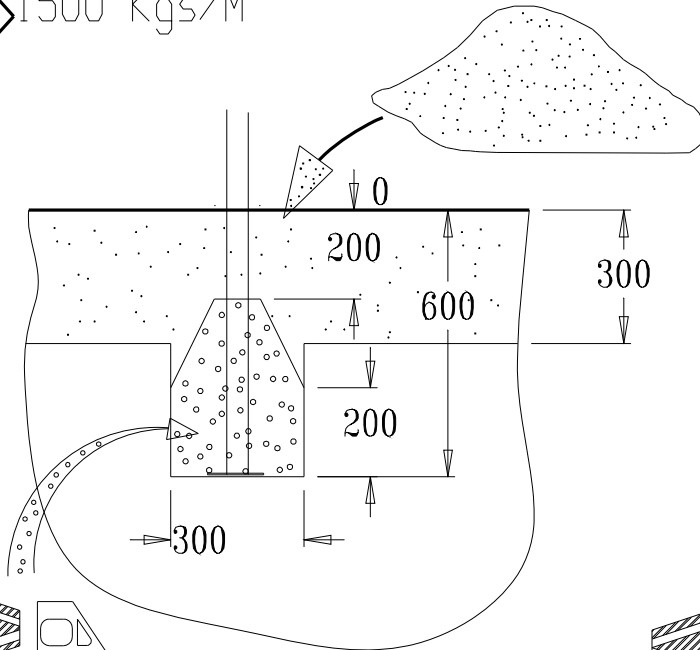
LG3804

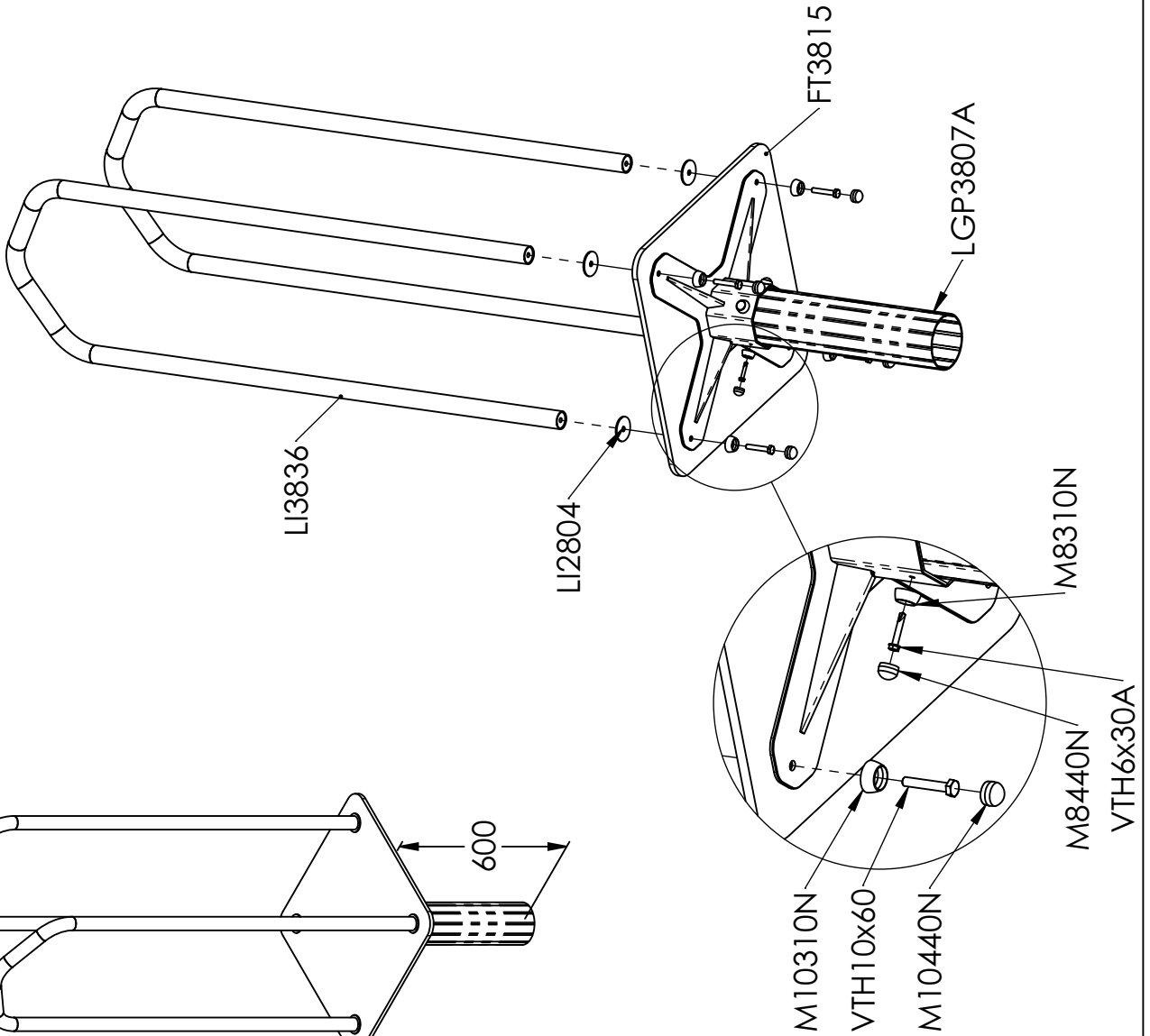
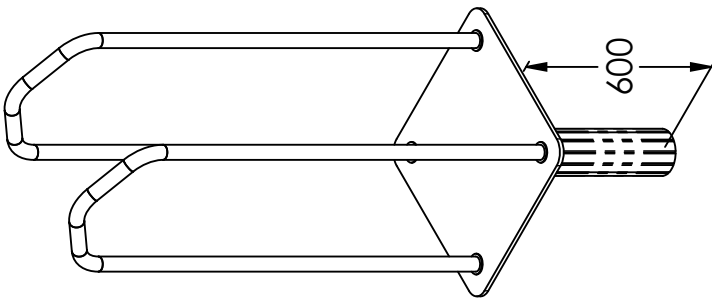


> 1500 Kgs/M<sup>3</sup>

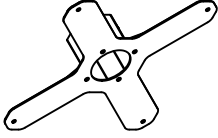


< 1500 Kgs/M<sup>3</sup>

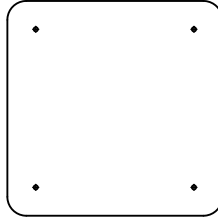




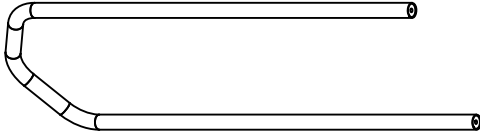
LG3810



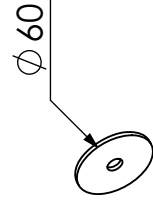
FT3815



LI3836

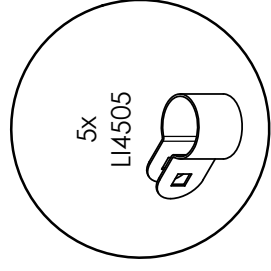
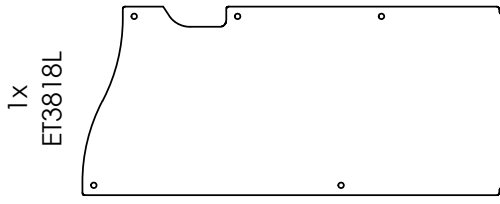
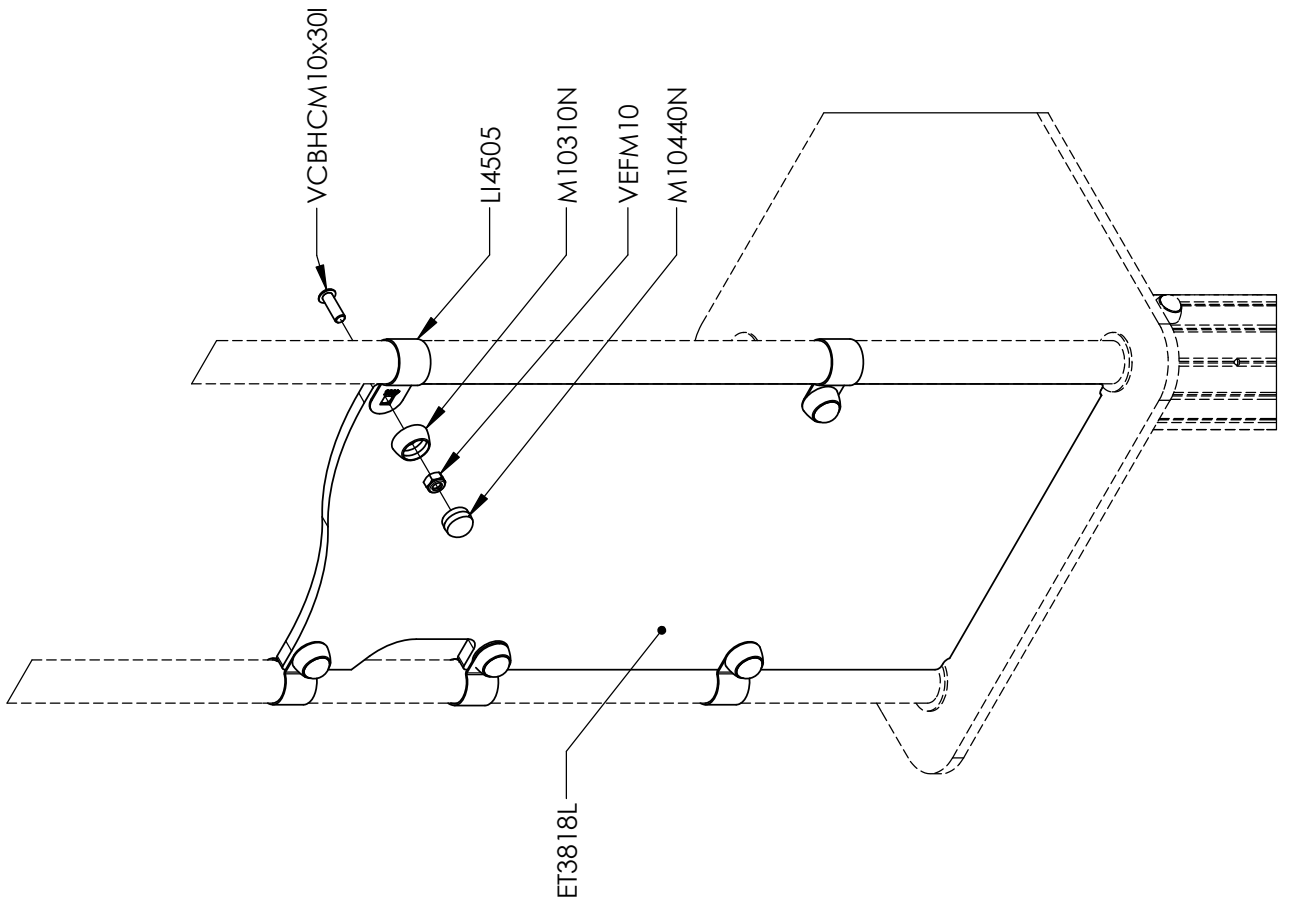


LGP3807A



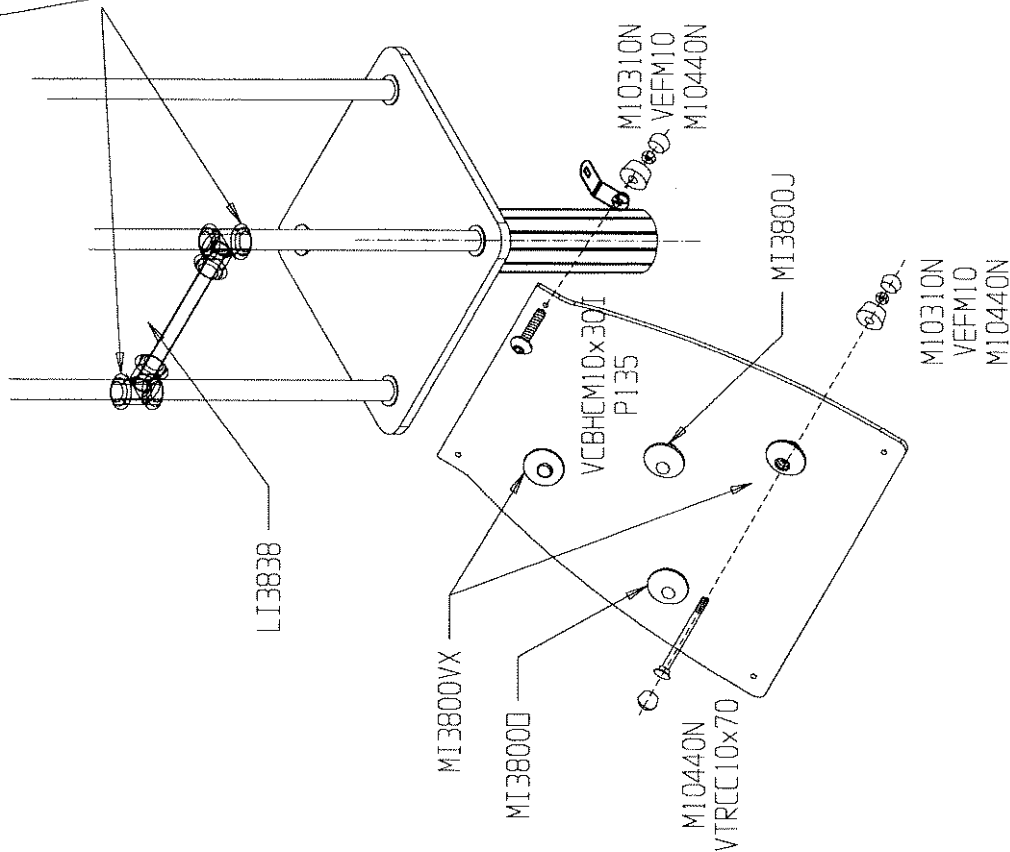
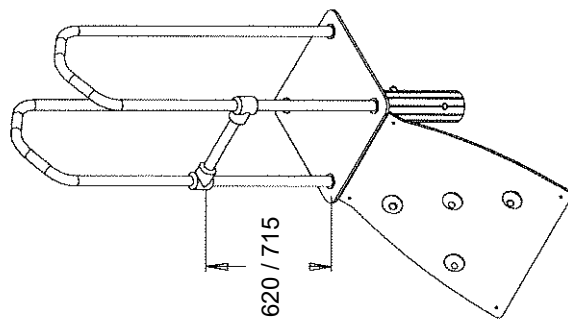
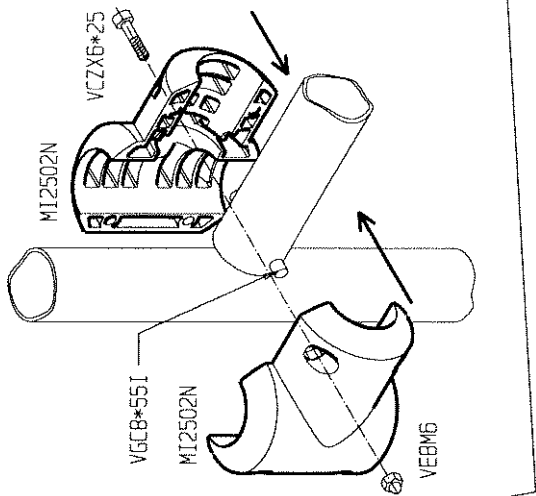
LI2804

Réf	Qte
FT3815	1
LG3810	1
LGP3807A	1
LI2804	4
LI3836	2
M8310N	4
M8440N	4
M10310N	4
M10440N	4
VTH6x30A	4
VTH10x60	4



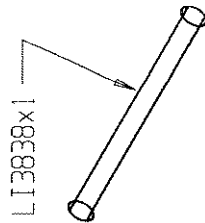
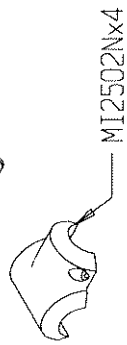
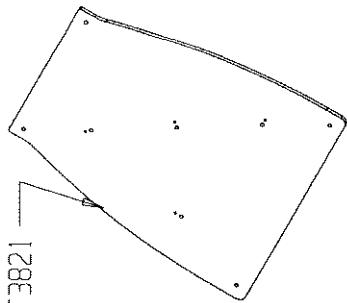
LI4505	5
M10310N	5
M10440N	5
VCBHC M10x30I	5
VEFM10	5
ET3818L	1



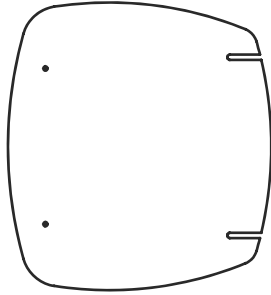
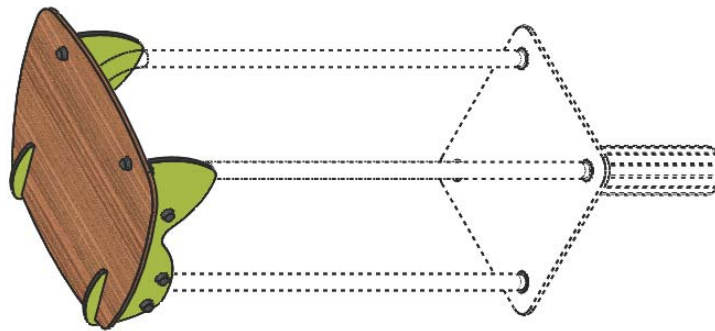


- MI3800VXx2
- MI3800Jx1
- MI3800Dx1

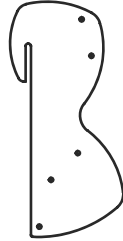
1x FT3821



	MI0310N	6
	MI0440N	10
	VCZY 6x25	8
	VEBM6	8
	VEFM10	6
	VTRCC10x70	4
	VCBHEM10x30I	2
	135° :P135	2



ET38703CH



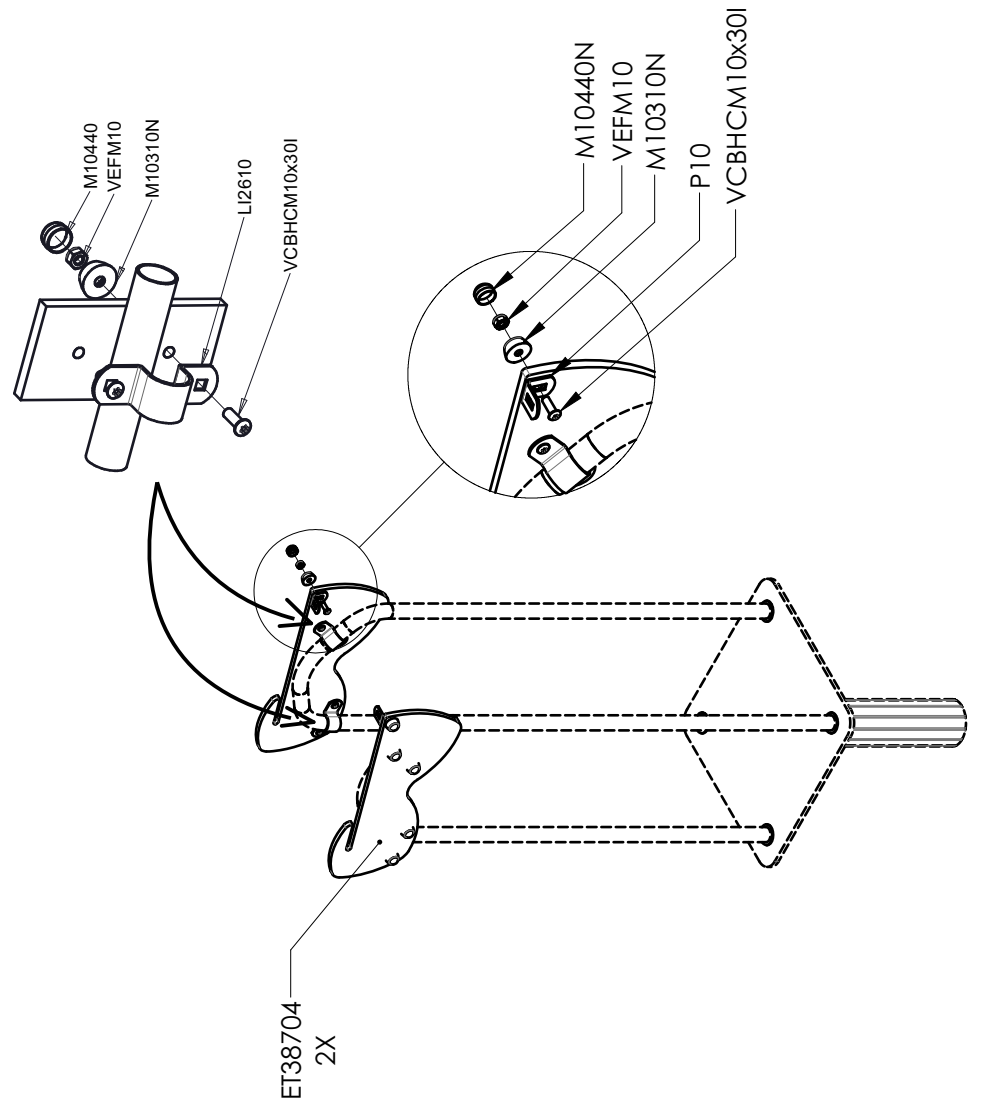
ET38704PV



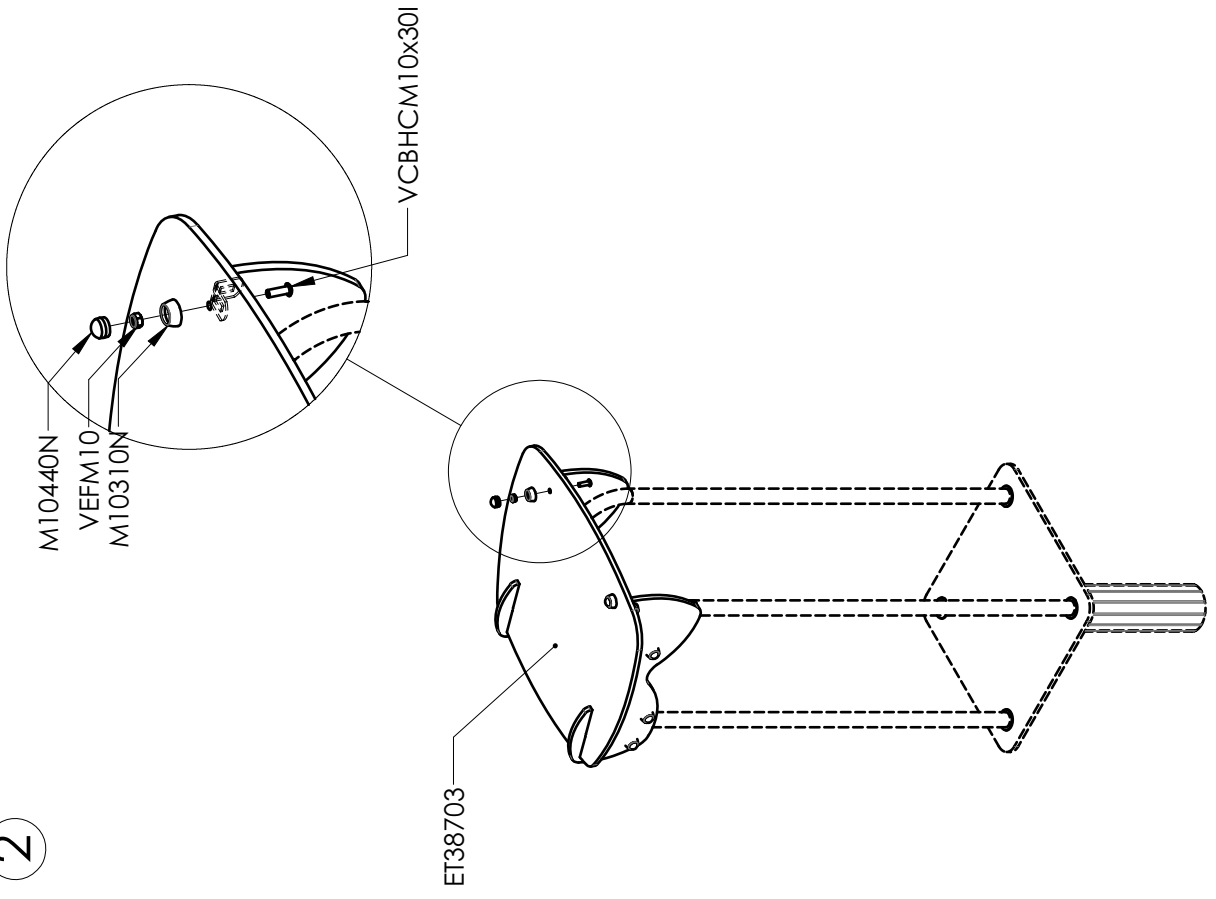
LI2610

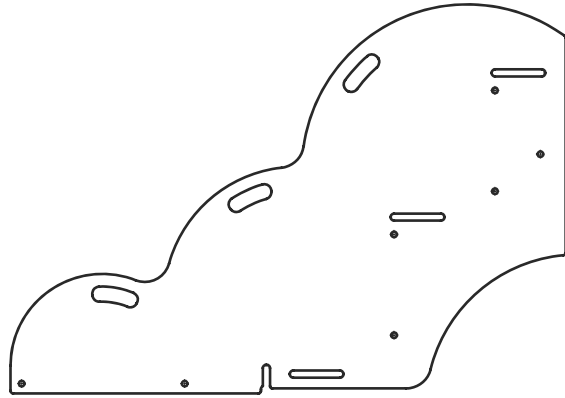
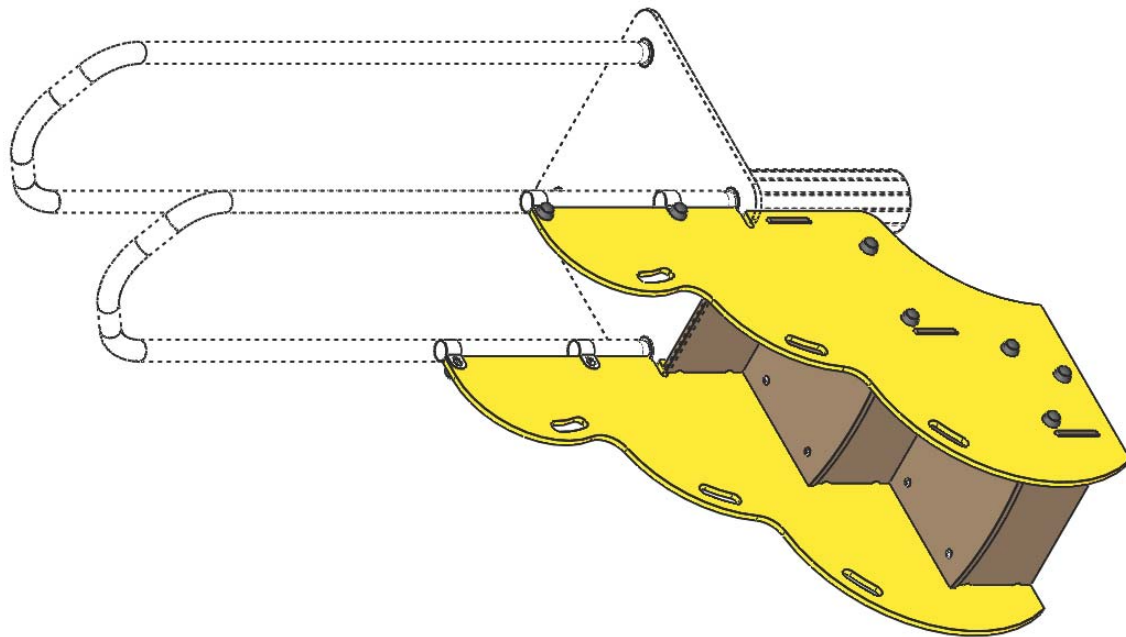
Réf	Qté
ET38703CH	1
ET38704PV	2
LI2610	4
M10310N	12
M10440N	12
P10	2
VCBHC10x30I	12
VEFM10	12

1

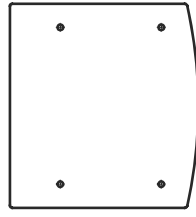


2

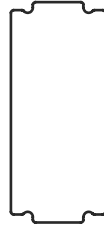




ET38706J



FT38708



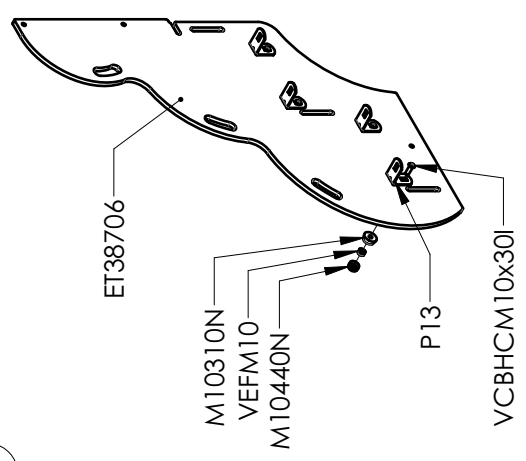
FT38709



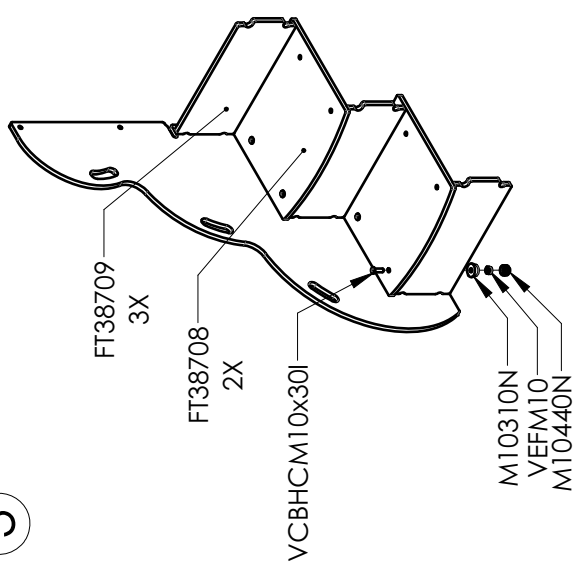
LI4505

Réf	Qté
ET38706J	2
FT38708	2
FT38709	3
LI4505	4
M10310N	22
M10440N	22
P13	8
VCBHC10x30I	22
VEFM10	22

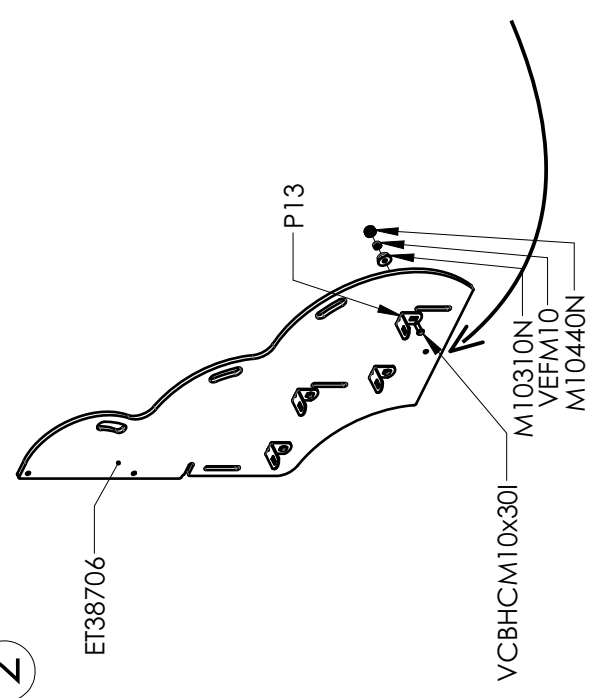
1



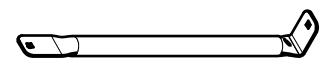
3



2

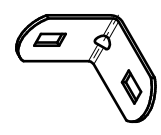


.....A



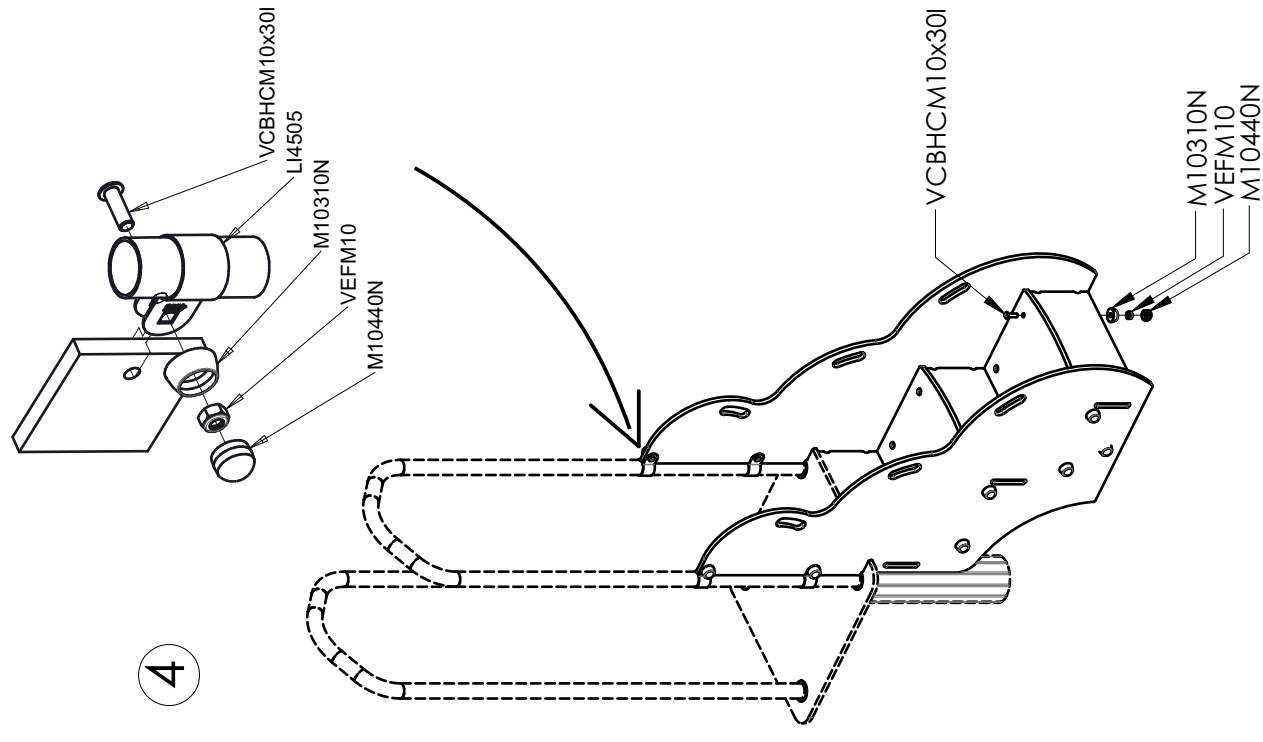
LG08

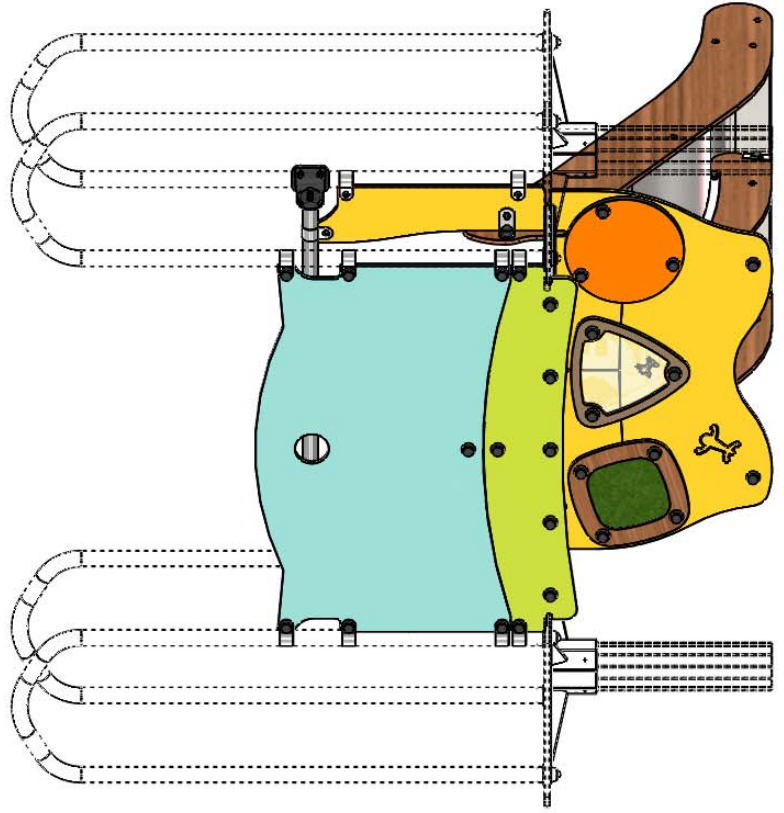
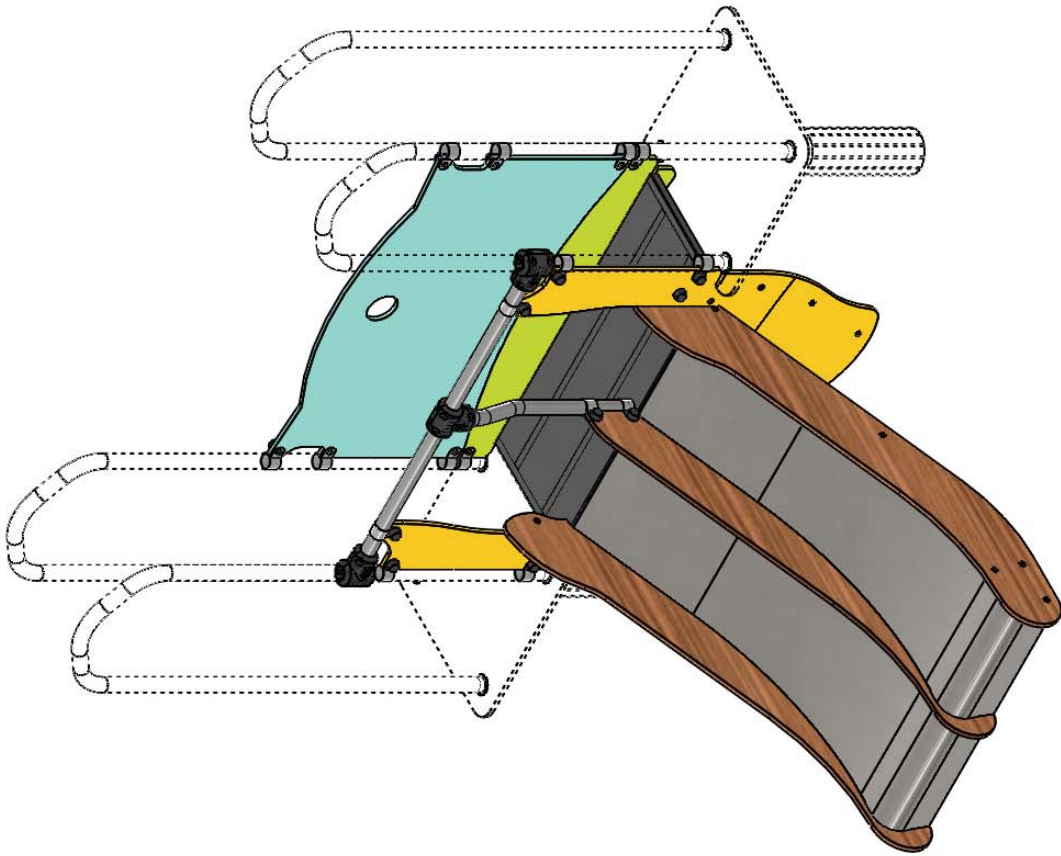
.....B

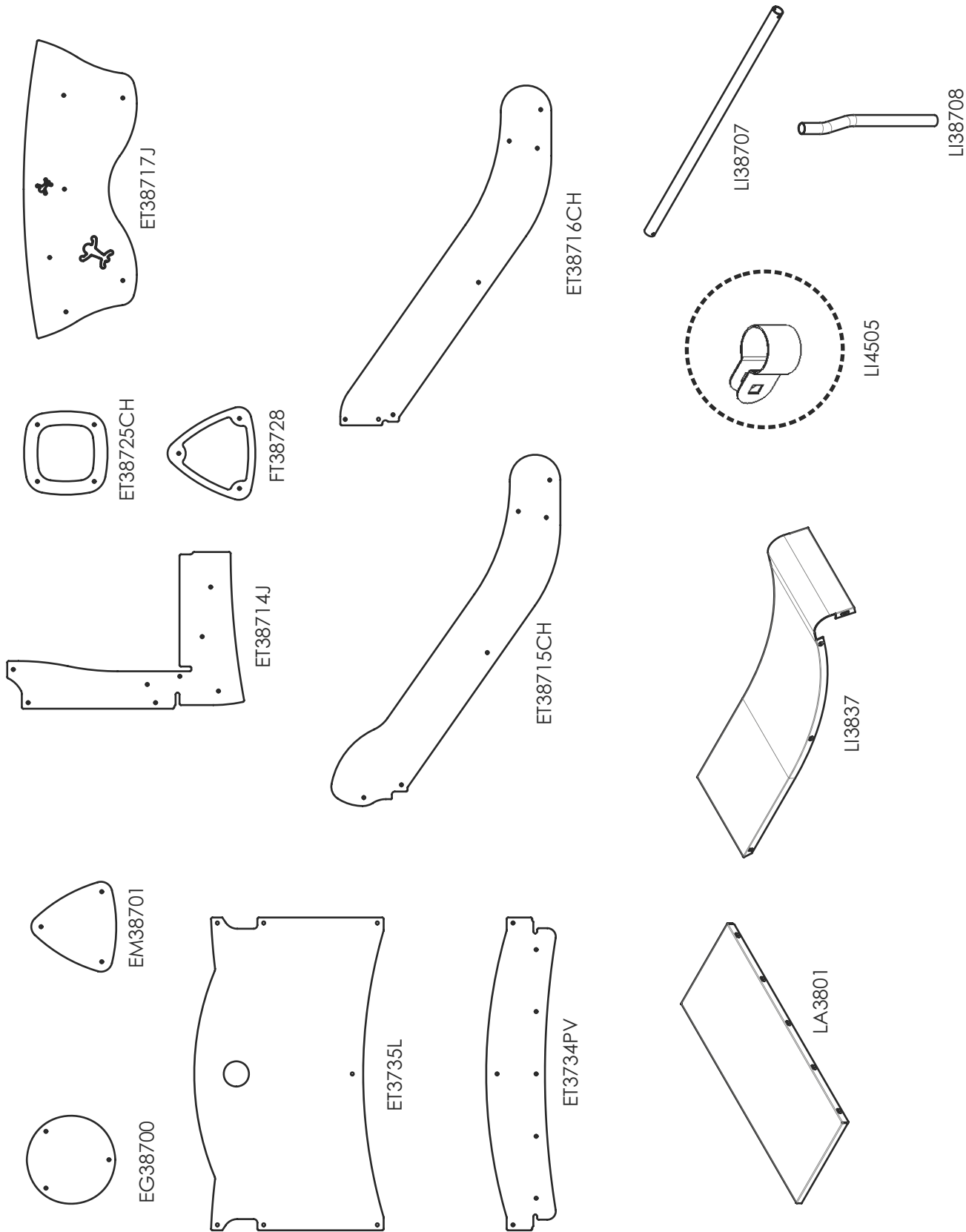


P13

4

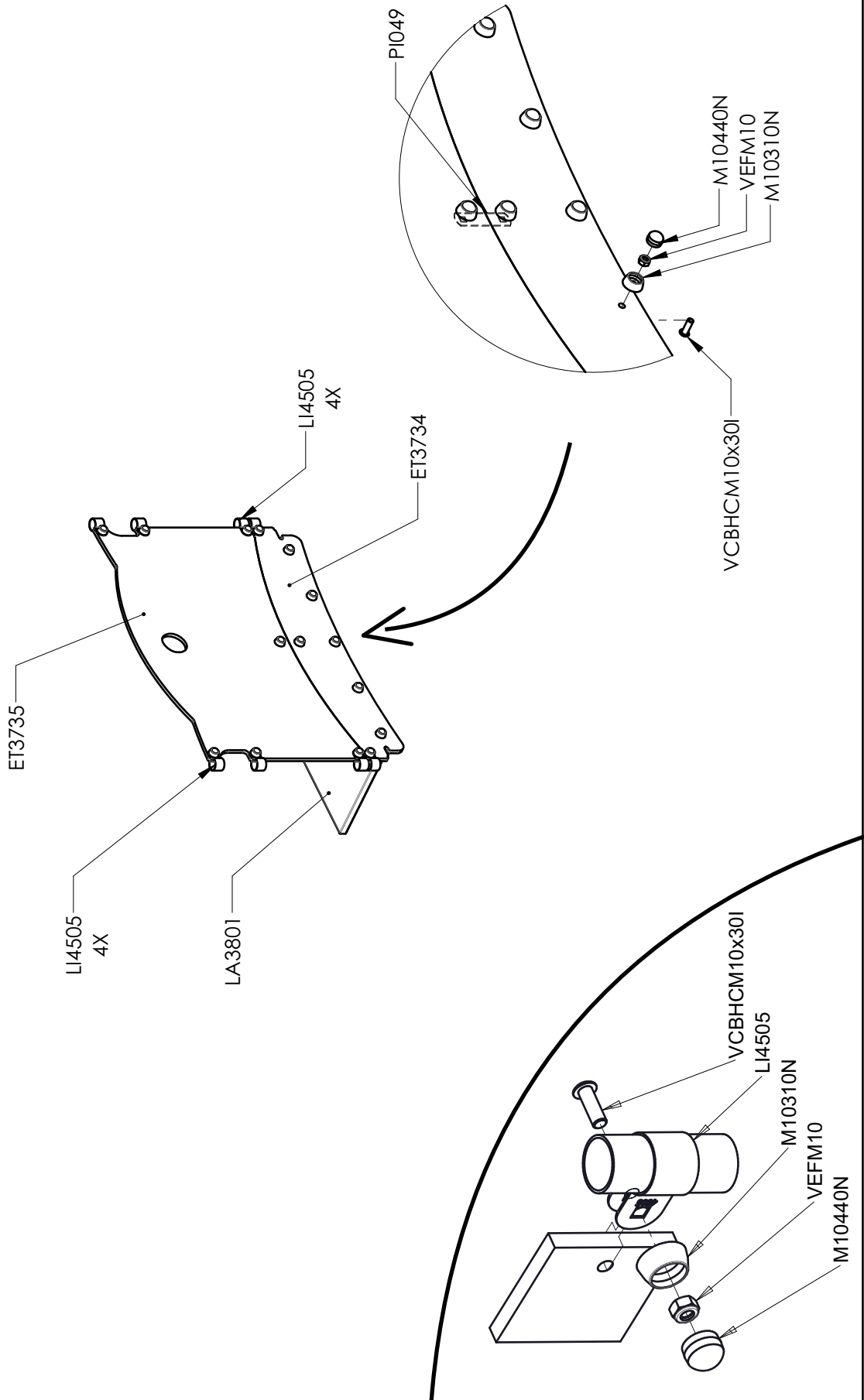






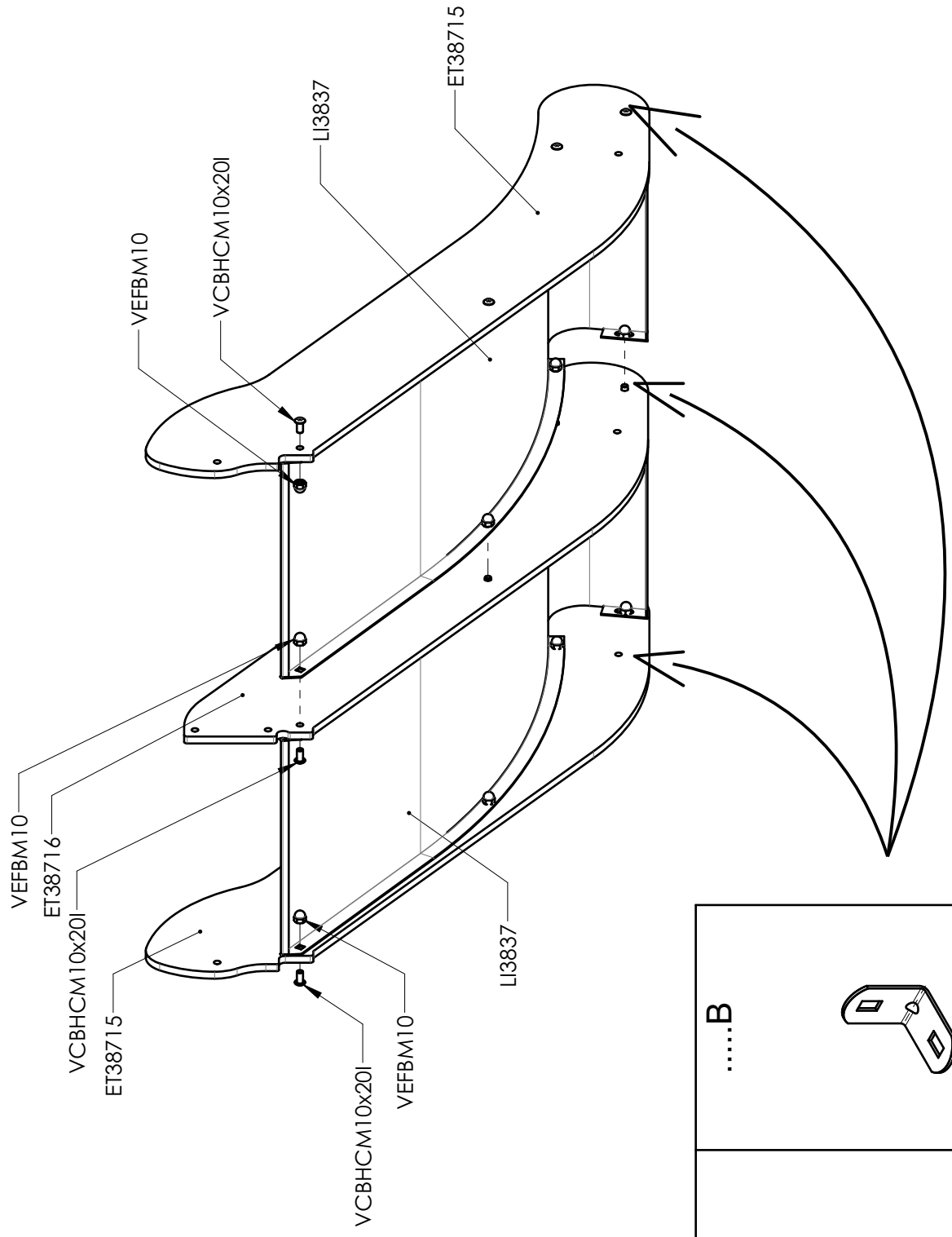
Réf	Qté
EG38700	1
EM38701	1
ET3734PV	1
ET3735L	1
ET38714J	2
ET38715CH	2
ET38716CH	1
ET38717J	1
ET38725CH	1
FT38728	1
LA3801	1
LI4505	16
LI38707	1
LI38708	1
LI3837	2
M10310N	43
M10440N	43
M12502N	6
P20	2
PI049	1
R38701	1
VCBHC6x25I	12
VCBHC10x20I	14
VCBHC10x30I	32
VCBHC10x40I	7
VCBHC10x50I	3
VEBM6	12
VEFBM10	14
VEFM10	42
VGC8x55I	3
VTH10x30	1

1



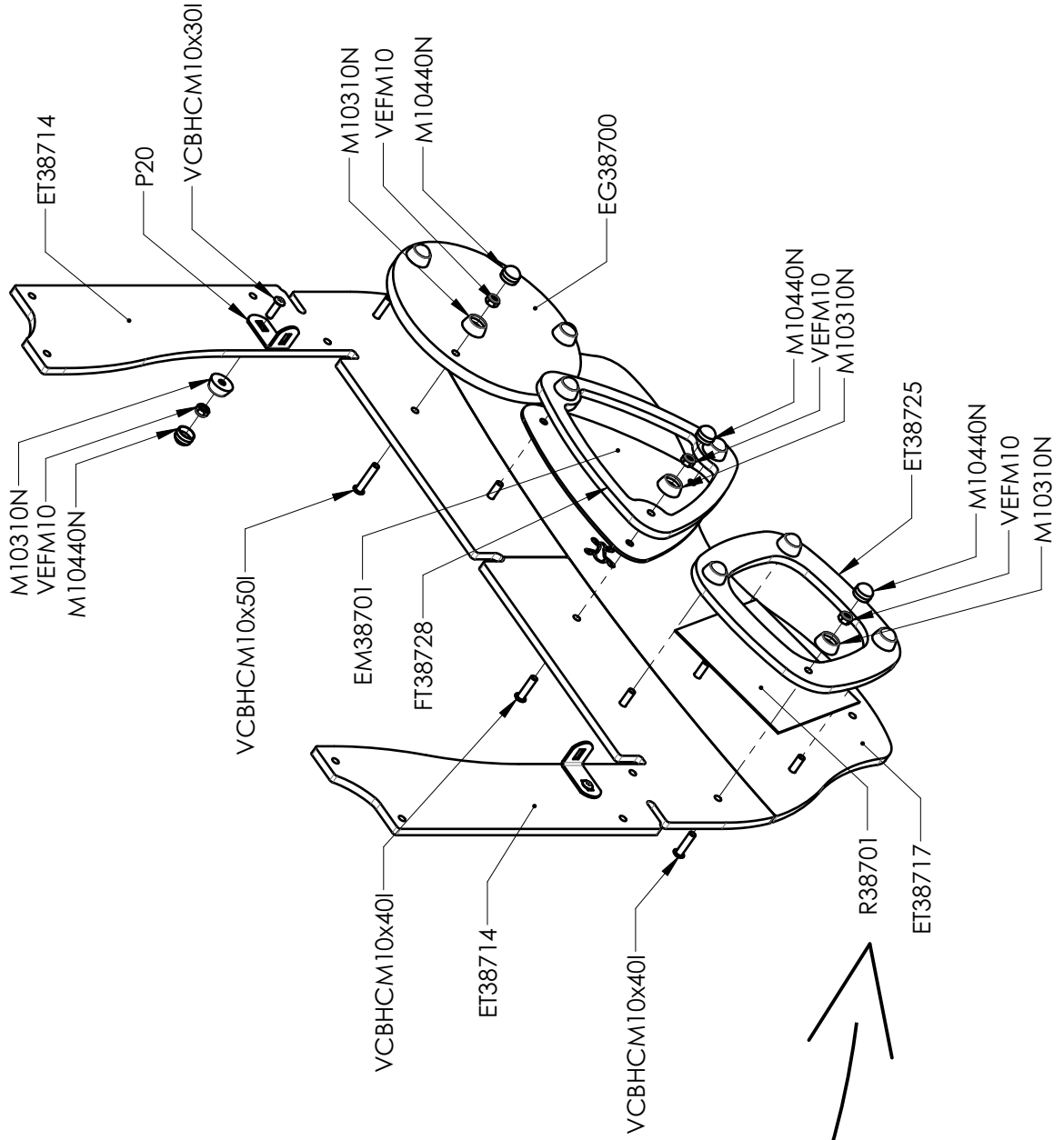
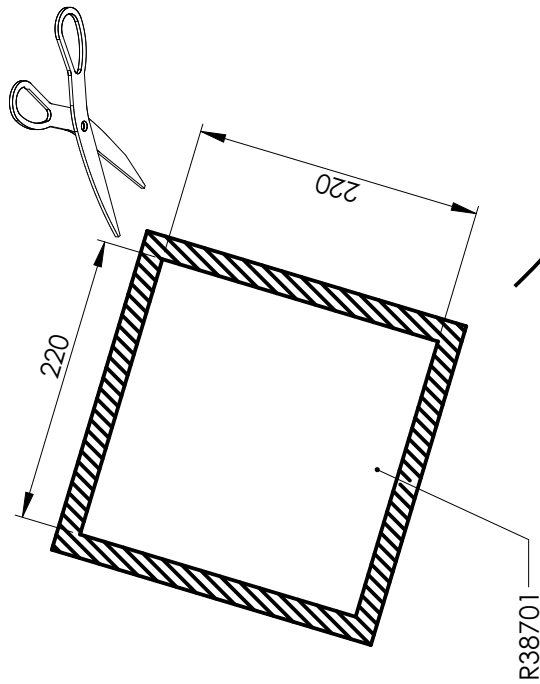


2

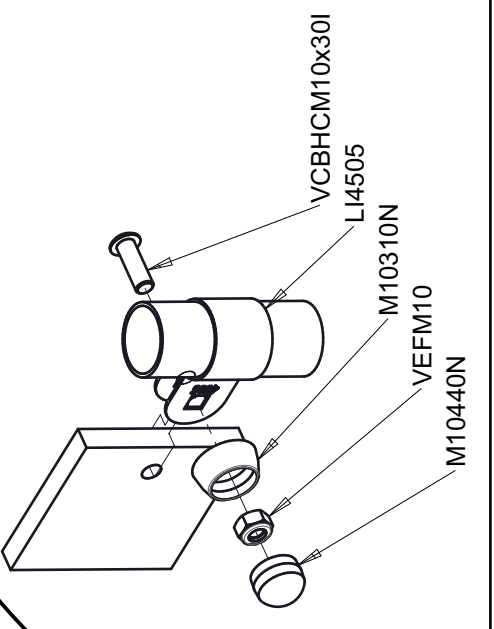
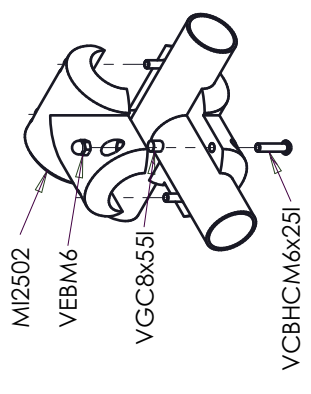
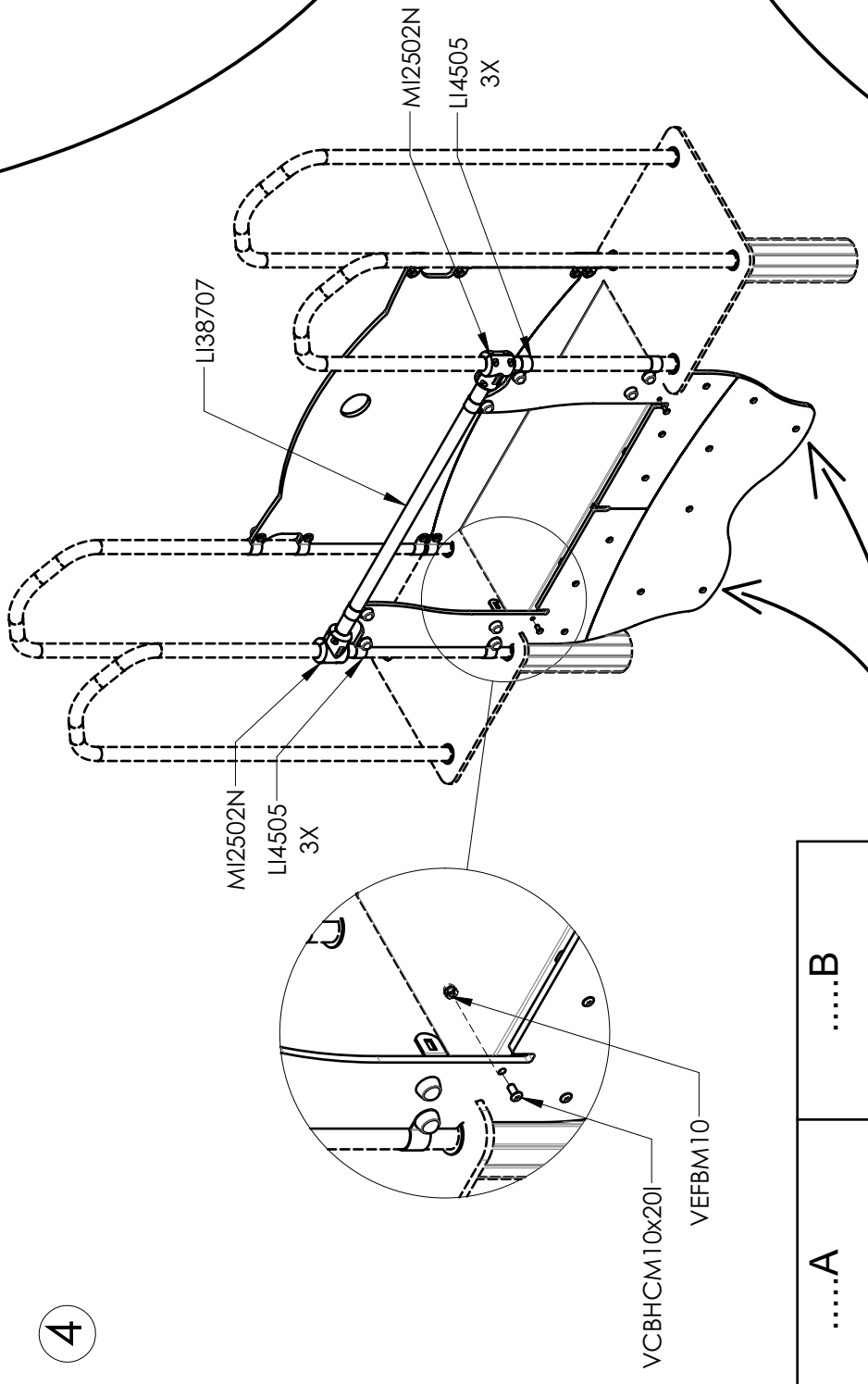


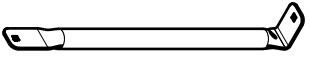

.....A		LG08
.....B		P13

3

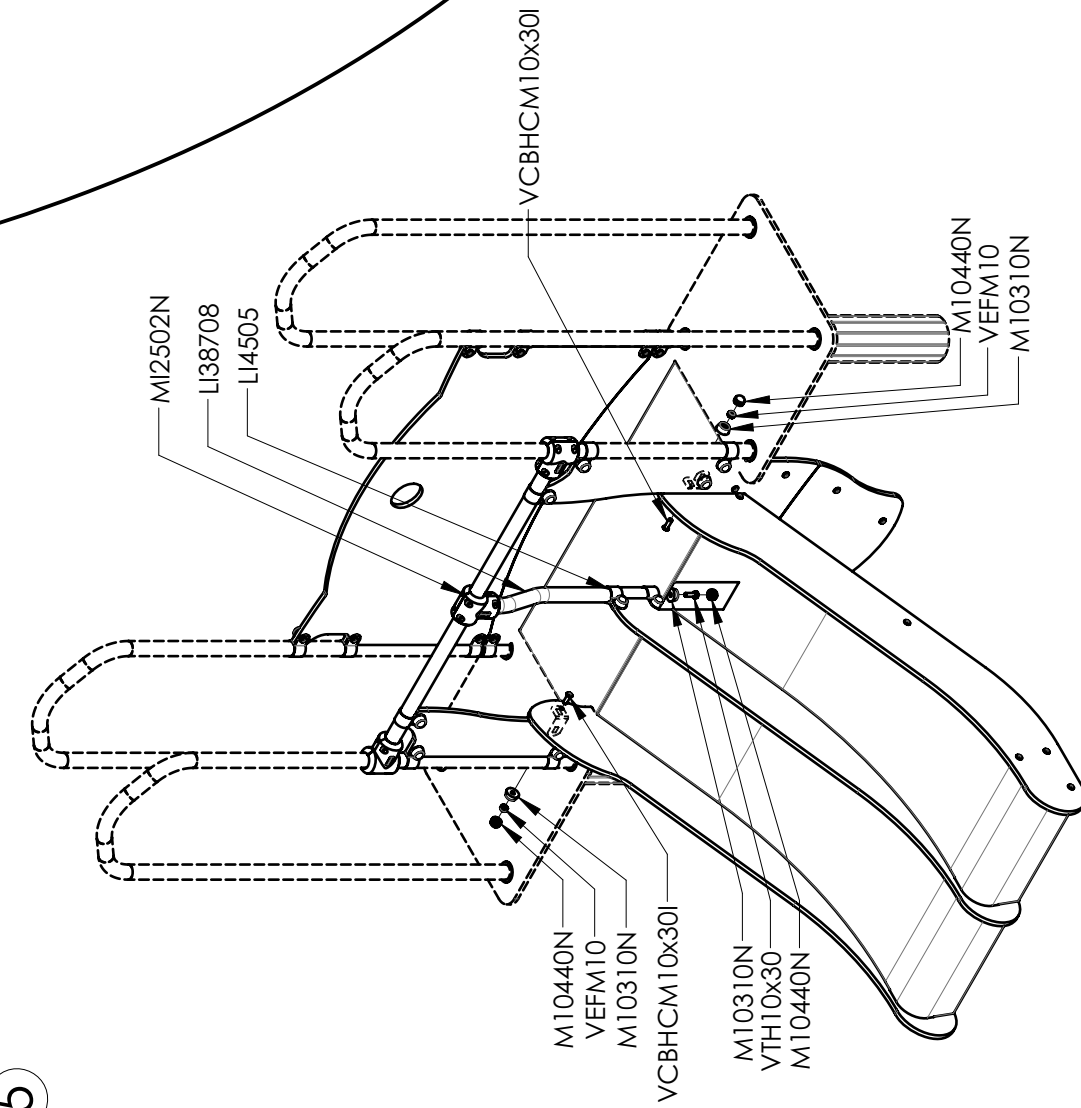


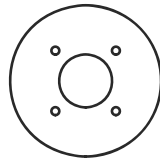
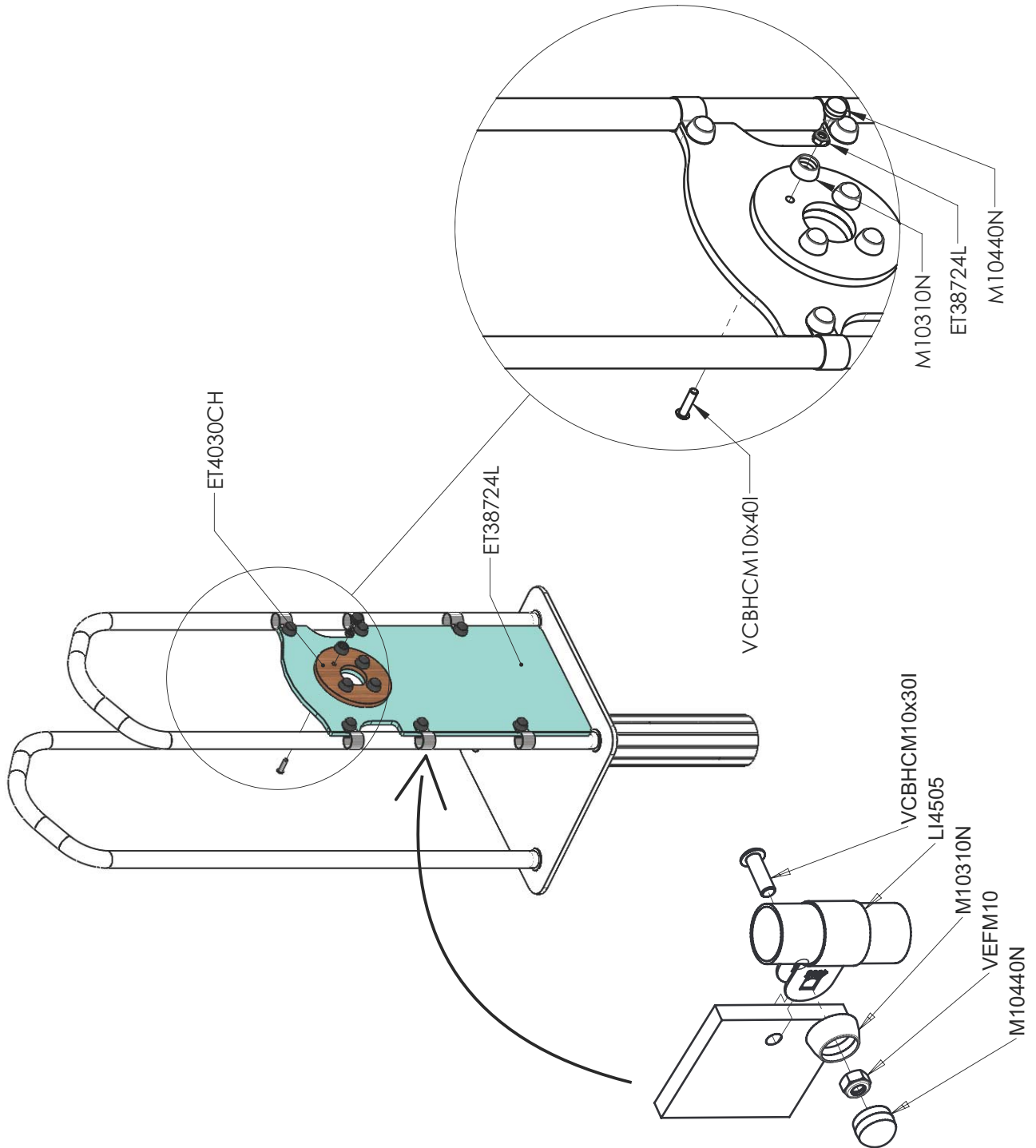
4



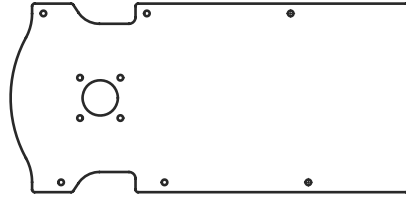
<p>.....A</p>  <p>LG08</p>	<p>.....B</p>  <p>P13</p>
-----------------------------------------------------------------------------------------------------------------	----------------------------------------------------------------------------------------------------------------

5





ET4030CH



ET38724L

Réf	Qté
ET4030CH	1
ET38724L	1
LI4505	6
M10310N	10
M10440N	10
VCBHCM10x30I	6
VCBHCM10x40I	4
VEFM10	10